

TMS320DM368

Digital Media System-on-Chip (DMSoC)

Check for Samples: [TMS320DM368](#)

1 TMS320DM368 Digital Media System-on-Chip (DMSoC)

1.1 Features

- **Highlights**
 - High-Performance Digital Media System-on-Chip (DMSoC)
 - 432-MHz ARM926EJ-S Clock Rate
 - Two Video Image Co-processors (HDVICP, MJCP) Engines
 - Supports a Range of Encode, Decode, and Video Quality Operations
 - Video Processing Subsystem
 - HW Face Detect Engine
 - Resize Engine from 1/16x to 8x
 - 16-Bit Parallel AFE (Analog Front-End) Interface Up to 120 MHz
 - 4:2:2 (8-/16-bit) Interface
 - 8-/16-bit YCC and Up to 24-Bit RGB888 Digital Output
 - 3 DACs for HD Analog Video Output
 - Hardware On-Screen Display (OSD)
 - Capable of 1080p 30fps H.264 video processing
 - Peripherals include EMAC, USB 2.0 OTG, DDR2/NAND, 5 SPIs, 2 UARTs, 2 MMC/SD/SDIO, Key Scan
 - 8 Different Boot Modes and Configurable Power-Saving Modes
 - Pin-to-pin and software compatible with DM365
 - Extended temperature (-40°C – 85°C) available
 - 3.3-V and 1.8-V I/O, 1.35-V Core
 - 338-Pin Ball Grid Array at 65nm Process Technology
- High-Performance Digital Media System-on-Chip (DMSoC)
 - 432-MHz ARM926EJ-S Clock Rate
 - 4:2:2 (8-/16-Bit) Interface
 - Capable of 1080p 30fps H.264 video processing
 - Pin compatible with DM365 processors
 - Fully Software-Compatible With ARM9™
 - Extended temperature available for 432-MHz device
- ARM926EJ-S™ Core
 - Support for 32-Bit and 16-Bit (Thumb® Mode) Instruction Sets
 - DSP Instruction Extensions and Single Cycle MAC
 - ARM® Jazelle® Technology
 - Embedded ICE-RT Logic for Real-Time Debug
- ARM9 Memory Architecture
 - 16K-Byte Instruction Cache
 - 8K-Byte Data Cache
 - 32K-Byte RAM
 - 16K-Byte ROM
 - Little Endian
- Two Video Image Co-processors (HDVICP, MJCP) Engines
 - Support a Range of Encode and Decode Operations
 - H.264, MPEG4, MPEG2, MJPEG, JPEG, WMV9/VC1
- Video Processing Subsystem
 - Front End Provides:
 - HW Face Detect Engine
 - Hardware IPIPE for Real-Time Image Processing
 - Resize Engine
 - Resize Images From 1/16x to 8x
 - Separate Horizontal/Vertical Control
 - Two Simultaneous Output Paths
 - IPIPE Interface (IPIPEIF)
 - Image Sensor Interface (ISIF) and CMOS Imager Interface
 - 16-Bit Parallel AFE (Analog Front End) Interface Up to 120 MHz
 - Glueless Interface to Common Video Decoders
 - BT.601/BT.656/BT.1120 Digital YCbCr 4:2:2 (8-/16-Bit) Interface
 - Histogram Module



Please be aware that an important notice concerning availability, standard warranty, and use in critical applications of Texas Instruments semiconductor products and disclaimers thereto appears at the end of this data sheet.

All trademarks are the property of their respective owners.

- Lens distortion correction module (LDC)
- Back End Provides:
 - Hardware On-Screen Display (OSD)
 - Composite NTSC/PAL video encoder output
 - 8-/16-bit YCC and Up to 24-Bit RGB888 Digital Output
 - 3 DACs for HD Analog Video Output
 - LCD Controller
 - BT.601/BT.656 Digital YCbCr 4:2:2 (8-/16-Bit) Interface
- Analog-to-Digital Convertor (ADC)
- Power Management and Real Time Clock Subsystem (PRTCSS)
 - Real Time Clock
- 16-Bit Host-Port Interface (HPI)
- 10/100 Mb/s Ethernet Media Access Controller (EMAC) - Digital Media
 - IEEE 802.3 Compliant
 - Supports Media Independent Interface (MII)
 - Management Data I/O (MDIO) Module
- Key Scan
- Voice Codec
- External Memory Interfaces (EMIFs)
 - DDR2 and mDDR SDRAM 16-bit wide EMIF With 256 MByte Address Space (1.8-V I/O)
 - Asynchronous 16-/8-bit Wide EMIF (AEMIF)
 - Flash Memory Interfaces
 - NAND (8-/16-bit Wide Data)
 - 16 MB NOR Flash, SRAM
 - OneNAND(16-bit Wide Data)
- Flash Card Interfaces
 - Two Multimedia Card (MMC) / Secure Digital (SD/SDIO)
 - SmartMedia/xD
- Enhanced Direct-Memory-Access (EDMA) Controller (64 Independent Channels)
- USB Port with Integrated 2.0 High-Speed PHY that Supports
 - USB 2.0 High-Speed Device
 - USB 2.0 High-Speed Host (mini-host, supporting one external device)
 - USB On The Go (HS-USB OTG)
- Four 64-Bit General-Purpose Timers (each configurable as two 32-bit timers)
- One 64-Bit Watch Dog Timer
- Two UARTs (One fast UART with RTS and CTS Flow Control)
- Five Serial Port Interfaces (SPI) each with two Chip-Selects
- One Master/Slave Inter-Integrated Circuit (I²C) Bus™
- One Multi-Channel Buffered Serial Port (McBSP)
 - I2S
 - AC97 Audio Codec Interface
 - S/PDIF via Software
 - Standard Voice Codec Interface (AIC12)
 - SPI Protocol (Master Mode Only)
 - Direct Interface to T1/E1 Framers
 - Time Division Multiplexed Mode (TDM)
 - 128 Channel Mode
- Four Pulse Width Modulator (PWM) Outputs
- Four RTO (Real Time Out) Outputs
- Up to 104 General-Purpose I/O (GPIO) Pins (Multiplexed with Other Device Functions)
- Boot Modes
 - On-Chip ARM ROM Bootloader (RBL) to Boot From NAND Flash, MMC/SD, UART, USB, SPI, EMAC, or HPI
 - AEMIF (NOR and OneNAND)
- Configurable Power-Saving Modes
- Crystal or External Clock Input (typically 19.2 MHz, 24 MHz, 27 MHz or 36 MHz)
- Flexible PLL Clock Generators
- Debug Interface Support
 - IEEE-1149.1 (JTAG™) Boundary-Scan-Compatible
 - ETB (Embedded Trace Buffer) with 4K-Bytes Trace Buffer memory
 - Device Revision ID Readable by ARM
- 338-Pin Ball Grid Array (BGA) Package (ZCE Suffix), 0.65-mm Ball Pitch
- 65nm Process Technology
- 3.3-V and 1.8-V I/O, 1.35-V Internal
- Community Resources
 - [TI E2E Community](#)
 - [TI Embedded Processors Wiki](#)

1.2 Description

Developers can now deliver crystal clear multi-format video at up to 1080p H.264 at 30fps (encode and closed-looped decode) in their digital video designs without concerns of video format support, constrained network bandwidth, limited system storage capacity or cost with the new TMS320DM368 DaVinci™ video processors from Texas Instruments Incorporated (TI).

The DM368 is capable of achieving HD video processing at 1080p 30fps H.264 and is completely pin-to-pin compatible with the DM365 processors, using the same ARM926EJ-S core running at 432 MHz. This ARM9-based DM368 device supports production-qualified H.264BP/MP/HP, MPEG-4, MPEG-2, MJPEG and VC1/WMV9 codecs providing customers with the flexibility to select the right video codec for their application. These codecs run on independent coprocessors (HDVICP and MJCP) offloading all compression needs from the main ARM core. This allows developers to obtain optimal performance from the ARM for their applications, including their multi-channel, multi-stream and multi-format needs.

Video surveillance designers achieve greater compression efficiency to provide more storage without straining the network bandwidth. Developers of media playback and camera-driven applications, such as video doorbells, digital signage, digital video recorders, portable media players and more can take advantage of the low power consumption and can ensure interoperability, as well as product scalability by taking advantage of the full suite of codecs supported on the DM368.

Along with multi-format HD video, the DM368 also features a suite of peripherals saving developers on system cost and complexity to enable a seamless interface to most additional external devices required for video applications. The image sensor interface is flexible enough to support CCD, CMOS, and various other interfaces such as BT.656, BT1120. The DM368 also offers a high level of integration with HD display support, including three built-in 10-bit HD analog video digital-to-analog converters (DACs), DDR2/mDDR, Ethernet MAC, USB 2.0, integrated audio, host port interface (HPI), analog-to-digital converter and many more features saving developers on overall system costs, as well as real estate on their circuit boards allowing for a slimmer, sleeker design.

1.3 Functional Block Diagram

Figure 1-1 shows the functional block diagram of the TMS320DM368 device.

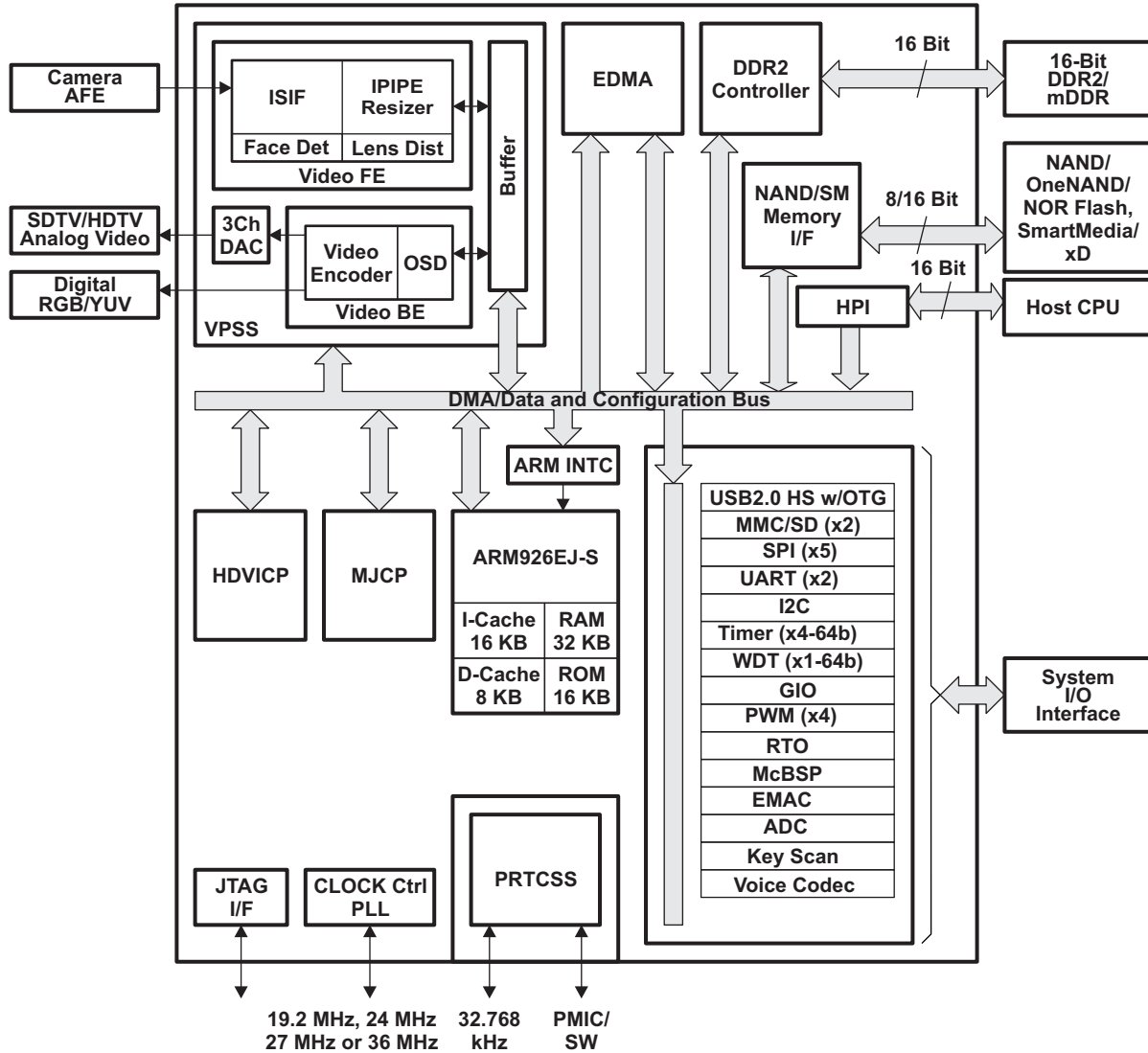


Figure 1-1. Functional Block Diagram

| | | | | | | |
|--------------------------------------|--|---------------------------|-------------------|---|----------------------------|--------------------|
| 1 | TMS320DM368 Digital Media System-on-Chip (DMSoC) | 1 | 6 | Peripheral Information and Electrical Specifications | 76 | |
| 1.1 | Features | 1 | 6.1 | Parameter Information Device-Specific Information | 76 | |
| 1.2 | Description | 3 | 6.2 | Recommended Clock and Control Signal Transition Behavior | 77 | |
| 1.3 | Functional Block Diagram | 4 | 6.3 | Power Supplies | 77 | |
| Revision History (Revision C) | | | 6 | 6.4 | Power-Supply Sequencing | 78 |
| 2 | Device Overview | 7 | 6.5 | Reset | 80 | |
| 2.1 | Device Characteristics | 7 | 6.6 | Oscillators and Clocks | 81 | |
| 2.2 | Device Compatibility | 8 | 6.7 | Power Management and Real Time Clock Subsystem (PRTCSS) | 85 | |
| 2.3 | ARM Subsystem Overview | 8 | 6.8 | General-Purpose Input/Output (GPIO) | 87 | |
| 2.4 | System Control Module | 12 | 6.9 | EDMA Controller | 89 | |
| 2.5 | Power Management | 13 | 6.10 | External Memory Interface (EMIF) | 99 | |
| 2.6 | Memory Map Summary | 14 | 6.11 | MMC/SD | 120 | |
| 2.7 | Pin Assignments | 16 | 6.12 | Video Processing Subsystem (VPSS) Overview | 123 | |
| 2.8 | Terminal Functions | 21 | 6.13 | USB 2.0 | 147 | |
| 2.9 | Device Support | 46 | 6.14 | Universal Asynchronous Receiver/Transmitter (UART) | 155 | |
| 3 | Device Configurations | 50 | 6.15 | Serial Port Interface (SPI) | 157 | |
| 3.1 | System Module Registers | 50 | 6.16 | Inter-Integrated Circuit (I2C) | 167 | |
| 3.2 | Boot Modes | 51 | 6.17 | Multi-Channel Buffered Serial Port (McBSP) | 170 | |
| 3.3 | Device Clocking | 54 | 6.18 | Timer | 179 | |
| 3.4 | Power and Sleep Controller (PSC) | 61 | 6.19 | Pulse Width Modulator (PWM) | 181 | |
| 3.5 | Pin Multiplexing | 63 | 6.20 | Real Time Out (RTO) | 183 | |
| 3.6 | Device Reset | 64 | 6.21 | Ethernet Media Access Controller (EMAC) | 185 | |
| 3.7 | Default Device Configurations | 64 | 6.22 | Management Data Input/Output (MDIO) | 191 | |
| 3.8 | Debugging Considerations | 69 | 6.23 | Host-Port Interface (HPI) Peripheral | 193 | |
| 4 | System Interconnect | 70 | 6.24 | Key Scan | 197 | |
| 5 | Device Operating Conditions | 71 | 6.25 | Analog-to-Digital Converter (ADC) | 199 | |
| 5.1 | Absolute Maximum Ratings Over Operating Case Temperature Range (Unless Otherwise Noted) | 71 | 6.26 | Voice Codec | 199 | |
| 5.2 | Recommended Operating Conditions | 72 | 6.27 | IEEE 1149.1 JTAG | 201 | |
| 5.3 | Electrical Characteristics Over Recommended Ranges of Supply Voltage and Operating Case Temperature (Unless Otherwise Noted) | 74 | 7 | Mechanical Data | 204 | |
| | | | 7.1 | Thermal Data for ZCE | 204 | |
| | | | 7.2 | Packaging Information | 204 | |

Revision History

NOTE: Page numbers for previous revisions may differ from page numbers in the current version.

highlights the technical changes made to the SPRS668B device-specific data sheet to make it a SPRS668C revision.

Revision C Updates

| See | Additions/Changes/Deletions |
|-------------------------------|---|
| Global | Removed sentence stating "micro-vias are not required." |
| Figure 2-2 | Corrected J5 pin name. |
| Table 2-5 | Changed TYPE of VREF pin from A I/O to A I. |
| Table 2-5 | Changed TYPE of VCOM pin from AI to AO. |
| Section 3.2.1 | Added 24 MHz reference clock to ARM ROM Boot - UART mode. |
| Table 6-21 | Updated first table note. |
| Table 6-22 | Updated second table note. |
| Table 6-26 | Updated table and added table note. |

2 Device Overview

2.1 Device Characteristics

[Table 2-1](#) provides an overview of the DMSoC. The table shows significant features of the device, including the peripherals, capacity of on-chip RAM, ARM operating frequency, the package type with pin count, etc.

Table 2-1. Characteristics of the Processor

| | HARDWARE FEATURES | DEVICE | |
|---|--|---|---------------|
| Peripherals Not all peripherals pins are available at the same time (For more detail, see the Device Configuration section). | DDR2 / mDDR Memory Controller | DDR2 / mDDR (16-bit bus width) | |
| | Asynchronous EMIF (AEMIF) | Asynchronous (8/16-bit bus width) RAM, Flash (NOR, NAND, OneNAND) | |
| | Flash Card Interfaces | Two MMC/SD One SmartMedia/xD | |
| | EDMA | 64 independent DMA channels Eight QDMA channels | |
| | Timers | Four 64-Bit General Purpose (each configurable as two separate 32-bit timers) One 64-Bit Watch Dog | |
| | UART | Two (one with RTS and CTS flow control) | |
| | SPI | Five (each supports two slave devices) | |
| | I ² C | One (Master/Slave) | |
| | 10/100 Ethernet MAC with Management Data I/O | One | |
| | Multi-Channel Buffered Serial Port [McBSP] | One McBSP | |
| | Power Management and Real Time Clock Subsystem (PRTCSS) | RTC (32.768kHz), GPIO | |
| | Key Scan | 4 x 4 Matrix, 5 x 3 Matrix | |
| | Voice Codec | One | |
| | Analog-to-Digital Converter (ADC) | 6-channel, 10-bit Interface | |
| | General-Purpose Input/Output Port | Up to 104 | |
| | Pulse width modulator (PWM) | Four outputs | |
| | Configurable Video Ports | One Input (VPFE) One Output (VPBE) | |
| | USB 2.0 | High Speed Device High Speed Host On The Go (HS-USB-OTG) | |
| | | Wireless Interfaces | Through SDIO |
| | | RTO | Four Channels |
| On-Chip CPU Memory | Organization | ARM 16-KB I-cache, 8-KB D-cache, 32-KB RAM, 16-KB ROM | |
| JTAG BSDL_ID | JTAGID register (address location: 0x01C4 0028) | See Section 6.27.1 , JTAG Register Description(s) | |
| CPU Frequency (Maximum) | MHz | ARM: 432-MHz | |
| Voltage | Core (V) | 1.35 V | |
| | I/O (V) | 3.3 V, 1.8 V | |
| PLL Options | Reference frequency options Configurable PLL controller | 19.2 MHz, 24 MHz, 27 MHz, 36 MHz PLL bypass, programmable PLL | |
| BGA Package | 13 x 13 mm | 338-Pin BGA (ZCE) | |
| Process Technology | | 65 nm | |

Table 2-1. Characteristics of the Processor (continued)

| HARDWARE FEATURES | | DEVICE |
|-------------------------------|---|--------|
| Product Status ⁽¹⁾ | Product Preview (PP), Advance Information (AI), or Production Data (PD) | PD |

(1) PRODUCTION DATA information is current as of publication date. Products conform to specifications per the terms of Texas Instruments standard warranty. Production processing does not necessarily include testing of all parameters.

2.2 Device Compatibility

The ARM926EJ-S RISC CPU is compatible with other ARM9 CPUs from ARM Holdings plc.

2.3 ARM Subsystem Overview

The ARM Subsystem contains components required to provide the ARM926EJ-S (ARM) master control of the overall device system, including the components of the ARM Subsystem, the peripherals, and the external memories.

The ARM is responsible for handling system functions such as system-level initialization, configuration, user interface, user command execution, connectivity functions, interface and control of the subsystem, etc. The ARM is master and performs these functions because it has a large program memory space and fast context switching capability, and is thus suitable for complex, multi-tasking, and general-purpose control tasks.

2.3.1 Components of the ARM Subsystem

The ARM Subsystem consists of the following components:

- ARM926EJ-S RISC processor, including:
 - coprocessor 15 (CP15)
 - MMU
 - 16KB Instruction cache
 - 8KB Data cache
 - Write Buffer
 - Java accelerator
- ARM Internal Memories
 - 32KB Internal RAM (32-bit wide access)
 - 16KB Internal ROM (ARM bootloader for non-AEMIF boot modes)
- Embedded Trace Module and Embedded Trace Buffer (ETM/ETB)
- System Control Peripherals
 - ARM Interrupt Controller
 - PLL Controller
 - Power and Sleep Controller
 - System Control Module

The ARM also manages/controls all the device peripherals.

[Figure 2-1](#) shows the functional block diagram of the ARM Subsystem.

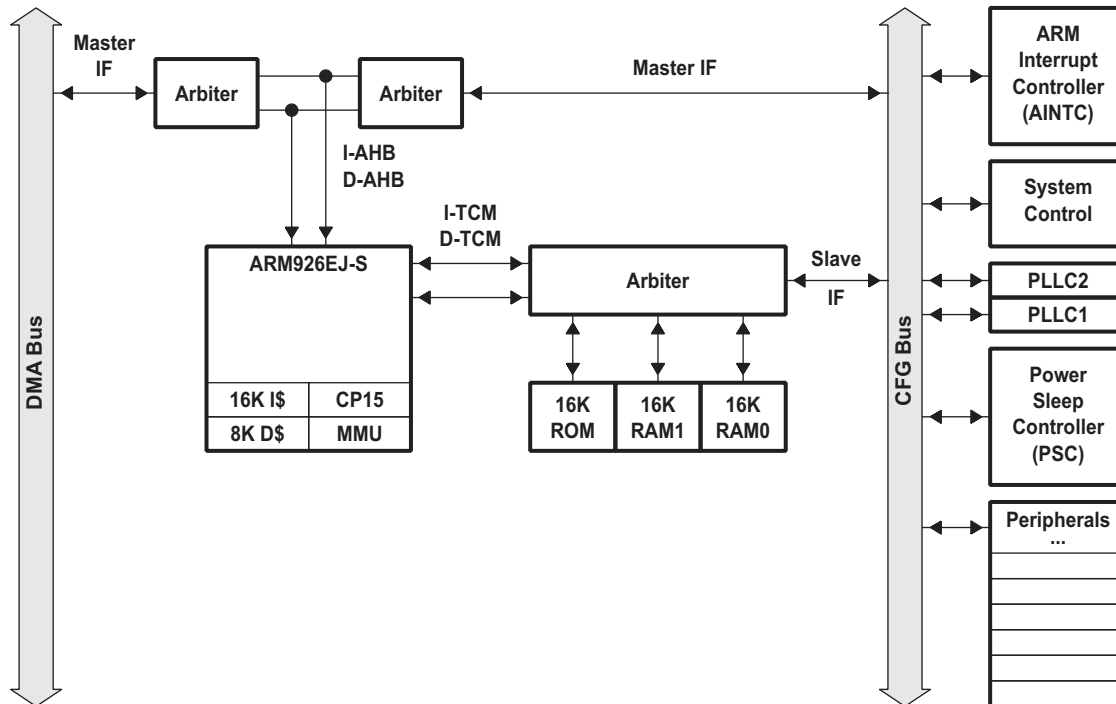


Figure 2-1. ARM Subsystem Block Diagram

2.3.2 ARM926EJ-S RISC CPU

The ARM Subsystem integrates the ARM926EJ-S processor. The ARM926EJ-S processor is a member of ARM9 family of general-purpose microprocessors. This processor is targeted at multi-tasking applications where full memory management, high performance, low die size, and low power are all important. The ARM926EJ-S processor supports the 32-bit ARM and 16 bit THUMB instruction sets, enabling the user to trade off between high performance and high code density. Specifically, the ARM926EJ-S processor supports the ARMv5TEJ instruction set, which includes features for efficient execution of Java byte codes, providing Java performance similar to Just in Time (JIT) Java interpreter, but without associated code overhead.

The ARM926EJ-S processor supports the ARM debug architecture and includes logic to assist in both hardware and software debug. The ARM926EJ-S processor has a Harvard architecture and provides a complete high performance subsystem, including:

- ARM926EJ -S integer core
- CP15 system control coprocessor
- Memory Management Unit (MMU)
- Separate instruction and data Caches
- Write buffer
- Separate instruction and data Tightly-Coupled Memories (TCMs) [internal RAM] interfaces
- Separate instruction and data AHB bus interfaces
- Embedded Trace Module and Embedded Trace Buffer (ETM/ETB)

For more complete details on the ARM9, refer to the ARM926EJ-S Technical Reference Manual, available at <http://www.arm.com>

2.3.3 CP15

The ARM926EJ-S system control coprocessor (CP15) is used to configure and control instruction and data caches, Tightly-Coupled Memories (TCMs), Memory Management Unit (MMU), and other ARM subsystem functions. The CP15 registers are programmed using the MRC and MCR ARM instructions, when the ARM in a privileged mode such as supervisor or system mode.

2.3.4 MMU

The ARM926EJ-S MMU provides virtual memory features required by operating systems such as Linux, WindowCE, ultron, ThreadX, etc. A single set of two level page tables stored in main memory is used to control the address translation, permission checks and memory region attributes for both data and instruction accesses. The MMU uses a single unified Translation Lookaside Buffer (TLB) to cache the information held in the page tables. The MMU features are:

- Standard ARM architecture v4 and v5 MMU mapping sizes, domains and access protection scheme.
- Mapping sizes are:
 - 1MB (sections)
 - 64KB (large pages)
 - 4KB (small pages)
 - 1KB (tiny pages)
- Access permissions for large pages and small pages can be specified separately for each quarter of the page (subpage permissions)
- Hardware page table walks
- Invalidate entire TLB, using CP15 register 8
- Invalidate TLB entry, selected by MVA, using CP15 register 8
- Lockdown of TLB entries, using CP15 register 10

2.3.5 Caches and Write Buffer

The size of the Instruction Cache is 16KB, Data cache is 8KB. Additionally, the Caches have the following features:

- Virtual index, virtual tag, and addressed using the Modified Virtual Address (MVA)
- Four-way set associative, with a cache line length of eight words per line (32-bytes per line) and with two dirty bits in the Dcache
- Dcache supports write-through and write-back (or copy back) cache operation, selected by memory region using the C and B bits in the MMU translation tables.
- Critical-word first cache refilling
- Cache lockdown registers enable control over which cache ways are used for allocation on a line fill, providing a mechanism for both lockdown, and controlling cache corruption
- Dcache stores the Physical Address TAG (PA TAG) corresponding to each Dcache entry in the TAG RAM for use during the cache line write-backs, in addition to the Virtual Address TAG stored in the TAG RAM. This means that the MMU is not involved in Dcache write-back operations, removing the possibility of TLB misses related to the write-back address.
- Cache maintenance operations provide efficient invalidation of, the entire Dcache or Icache, regions of the Dcache or Icache, and regions of virtual memory.

The write buffer is used for all writes to a noncachable bufferable region, write-through region and write misses to a write-back region. A separate buffer is incorporated in the Dcache for holding write-back for cache line evictions or cleaning of dirty cache lines. The main write buffer has 16-word data buffer and a four-address buffer. The Dcache write-back has eight data word entries and a single address entry.

2.3.6 Tightly Coupled Memory (TCM)

ARM internal RAM is provided for storing real-time and performance-critical code/data and the Interrupt

Vector table. ARM internal ROM boot modes include NAND, MMC/SD, UART, USB, SPI, EMAC, and HPI. The RAM and ROM memories interfaced to the ARM926EJ-S via the tightly coupled memory interface that provides for separate instruction and data bus connections. Since the ARM TCM does not allow instructions on the D-TCM bus or data on the I-TCM bus, an arbiter is included so that both data and instructions can be stored in the internal RAM/ROM. The arbiter also allows accesses to the RAM/ROM from extra-ARM sources (e.g., EDMA or other masters). The ARM926EJ-S has built-in DMA support for direct accesses to the ARM internal memory from a non-ARM master. Because of the time-critical nature of the TCM link to the ARM internal memory, all accesses from non-ARM devices are treated as DMA transfers.

Instruction and Data accesses are differentiated via accessing different memory map regions, with the instruction region from 0x0000 through 0x7FFF and data from 0x10000 through 0x17FFF. Placing the instruction region at 0x0000 is necessary to allow the ARM Interrupt Vector table to be placed at 0x0000, as required by the ARM architecture. The internal 32-KB RAM is split into two physical banks of 16KB each, which allows simultaneous instruction and data accesses to be accomplished if the code and data are in separate banks.

2.3.7 **Advanced High-performance Bus (AHB)**

The ARM Subsystem uses the AHB port of the ARM926EJ-S to connect the ARM to the configuration bus and the external memories. Arbiters are employed to arbitrate access to the separate D-AHB and I-AHB by the configuration bus and the external memories bus.

2.3.8 **Embedded Trace Macrocell (ETM) and Embedded Trace Buffer (ETB)**

To support real-time trace, the ARM926EJ-S processor provides an interface to enable connection of an Embedded Trace Macrocell (ETM). The ARM926ES-J Subsystem also includes the Embedded Trace Buffer (ETB). The ETM consists of two parts:

- Trace Port provides real-time trace capability for the ARM9.
- Triggering facilities provide trigger resources, which include address and data comparators, counter, and sequencers.

The device trace port is not pinned out and is instead only connected to the Embedded Trace Buffer. The ETB has a 4KB buffer memory. ETB enabled debug tools are required to read/interpret the captured trace data.

2.3.9 **ARM Memory Mapping**

The ARM memory map is shown in [Table 2-3](#) and [Table 2-4](#). This section describes the memories and interfaces within the ARM's memory map.

2.3.9.1 **ARM Internal Memories**

The ARM has access to the following ARM internal memories:

- 32KB ARM Internal RAM on TCM interface, logically separated into two 16KB pages to allow simultaneous access on any given cycle if there are separate accesses for code (I-TCM bus) and data (D-TCM) to the different memory regions.
- 16KB ARM Internal ROM

2.3.9.2 **External Memories**

The ARM has access to the following External memories:

- DDR2 / mDDR Synchronous DRAM
- Asynchronous EMIF / OneNAND / NOR
- NAND Flash

- Flash card devices:
 - MMC/SD
 - xD
 - SmartMedia

2.3.10 Peripherals

The ARM has access to all of the peripherals on the device.

2.3.11 ARM Interrupt Controller (AINTC)

The device ARM Interrupt Controller (AINTC) has the following features:

- Supports up to 64 interrupt channels (16 external channels)
- Interrupt mask for each channel
- Each interrupt channel can be mapped to a Fast Interrupt Request (FIQ) or to an Interrupt Request (IRQ) type of interrupt.
- Hardware prioritization of simultaneous interrupts
- Configurable interrupt priority (2 levels of FIQ and 6 levels of IRQ)
- Configurable interrupt entry table (FIQ and IRQ priority table entry) to reduce interrupt processing time

The ARM core supports two interrupt types: FIQ and IRQ. See the ARM926EJ-S Technical Reference Manual for detailed information about the ARM's FIQ and IRQ interrupts. Each interrupt channel is mappable to an FIQ or to an IRQ type of interrupt, and each channel can be enabled or disabled. The INTC supports user-configurable interrupt-priority and interrupt entry addresses. Entry addresses minimize the time spent jumping to interrupt service routines (ISRs). When an interrupt occurs, the corresponding highest priority ISR's address is stored in the INTC's ENTRY register. The IRQ or FIQ interrupt routine can read the ENTRY register and jump to the corresponding ISR directly. Thus, the ARM does not require a software dispatcher to determine the asserted interrupt.

2.4 System Control Module

The system control module is a system-level module containing status and top-level control logic required by the device. The system control module consists of a miscellaneous set of status and control registers, accessible by the ARM and supporting all of the following system features and operations:

- Device identification
- Device configuration
 - Pin multiplexing control
 - Device boot configuration status
- ARM interrupt and EDMA event multiplexing control
- Special peripheral status and control
 - Timer64
 - USB PHY control
 - VPSS clock and video DAC control and status
 - DDR VTP control
 - Clockout circuitry
 - GIO de-bounce control
- Power management
 - Deep sleep
- Bandwidth Management
 - Bus master DMA priority control

For more information on the System Control Module refer to [Section 3, Device Configurations](#) and the *TMS320DM36x DMSoC ARM Subsystem Reference Guide* (literature number [SPRUFG5](#)).

2.5 Power Management

The device is designed for minimal power consumption. There are two components to power consumption: active power and leakage power. Active power is the power consumed to perform work and scales with clock frequency and the amount of computations being performed. Active power can be reduced by controlling the clocks in such a way as to either operate at a clock setting just high enough to complete the required operation in the required time-line or to run at a clock setting until the work is complete and then drastically cut the clocks (e.g. to PLL Bypass mode) until additional work must be performed. Leakage power is due to static current leakage and occurs regardless of the clock rate. Leakage, or standby power, is unavoidable while power is applied and scales roughly with the operating junction temperatures. Leakage power can only be avoided by removing power completely from a device or subsystem. The device includes several power management modes which are briefly described in [Table 2-2](#). See the *TMS320DM36x DMSoC ARM Subsystem Reference Guide* (literature number [SPRUFG5](#)) for more information on power management.

Table 2-2. Power Management Conditions

| POWER MGMT. APPLICATION SCENARIO | PRTCSS | CORE POWER | OSC. POWER | PLL CNTRLR. | ARM926 CLOCK | GIO, UART, I2C CLOCKS | SPI, PWM, TIMER CLOCKS | OTHER PERIPH. CLOCKS | DDR CLOCK/ MODE | DESCRIPTION |
|----------------------------------|--------|------------|------------|--------------------------|--------------|-----------------------|------------------------|----------------------|---------------------------|---|
| PRTCSS | Active | Off | Off | Off | Off | Off | Off | Off | Off | This condition consumes the lowest possible power, except for the PRTCSS. |
| Deep Sleep Mode ⁽¹⁾ | Active | On | Off | Bypass Mode (not Active) | Off | Off | Off | Off | Suspend / "Self-Refresh" | This mode consumes the second lowest possible power, except for PRTCSS and core power, where only the deep sleep circuit is on in this mode. |
| Standby | Active | On | On | Bypass Mode | Off | On | Off | Off | Suspend / "Self-Refresh" | This condition keeps the minimum possible modules powered-on in order to wake up the device. Clocks are suspended except for GIO (interrupts), UART, and I2C (in slave mode). |
| Low-power (PLL Bypass Mode) | Active | On | On | Bypass Mode | On | On / Off | On / Off | On / Off | Suspend / "Self-Refresh" | Most clocks are suspended, except for ARM, GIO, UART, SPI, I2C, PWM, and timers. Since ARM will not have access to DDR, its internal Cache will be either frozen or not accessed. |
| System Running (PLL Mode) | Active | On | On | PLL Mode | On | On / Off | On / Off | On / Off | Nominal Clock / Operation | The device, including system PLLs, are on. This condition conserves the least amount of power. |

(1) For more details, see *TMS320DM36x DMSoC ARM Subsystem Reference Guide* (literature number [SPRUFG5](#))

2.6 Memory Map Summary

Table 2-3 shows the memory map address ranges of the device. Table 2-4 depicts the expanded map of the Configuration Space (0x01C0 0000 through 0x01FF FFFF). The device has multiple on-chip memories associated with its processor and various subsystems. To help simplify software development a unified memory map is used where possible to maintain a consistent view of device resources across all bus masters. The bus masters are the ARM, EDMA, EMAC, USB, HPI, MJCP, HDVICP and VPSS. The Master Peripherals are EMAC, USB, and HPI. Please refer to Section 4 for more details.

Table 2-3. Memory Map

| Start Address | End Address | Size (Bytes) | ARM Mem Map | EDMA Mem Map | Master Periph Mem Map | VPSS Mem Map | | |
|---------------|-------------|--------------|------------------------|-----------------------|-----------------------|--------------|----------|------------------|
| 0x0000 0000 | 0x0000 3FFF | 16K | ARM RAM0 (Instruction) | Reserved | Reserved | Reserved | | |
| 0x0000 4000 | 0x0000 7FFF | 16K | ARM RAM1 (Instruction) | | | | | |
| 0x0000 8000 | 0x0000 BFFF | 16K | ARM ROM (Instruction) | | | | | |
| 0x0000 C000 | 0x0000 FFFF | 16K | Reserved | | | | | |
| 0x0001 0000 | 0x0001 3FFF | 16K | ARM RAM0 (Data) | ARM RAM0 | ARM RAM0 | Reserved | | |
| 0x0001 4000 | 0x0001 7FFF | 16K | ARM RAM1 (Data) | ARM RAM1 | ARM RAM1 | | | |
| 0x0001 8000 | 0x0001 BFFF | 16K | ARM ROM | ARM ROM | ARM ROM | | | |
| 0x0001 C000 | 0x000F FFFF | 912K | Reserved | Reserved | Reserved | | | |
| 0x0010 0000 | 0x01BB FFFF | 26M | Reserved | | | | | |
| 0x01BC 0000 | 0x01BC 0FFF | 4K | ARM ETB Mem | | | | | |
| 0x01BC 1000 | 0x01BC 17FF | 2K | ARM ETB Reg | | | | | |
| 0x01BC 1800 | 0x01BC 18FF | 256 | ARM IceCrusher | | | | | |
| 0x01BC 1900 | 0x01BC FFFF | 59136 | Reserved | | | | | |
| 0x01BD 0000 | 0x01BF FFFF | 192K | Reserved | CFG Bus Peripherals | CFG Bus Peripherals | | | |
| 0x01C0 0000 | 0x01FF FFFF | 4M | CFG Bus Peripherals | | | | | |
| 0x0200 0000 | 0x09FF FFFF | 128M | ASYNC EMIF (Data) | ASYNC EMIF (Data) | Reserved | | Reserved | |
| 0x0A00 0000 | 0x11EF FFFF | 127M - 16K | Reserved | Reserved | | | | |
| 0x11F0 0000 | 0x11F1 FFFF | 128K | MJCP DMA Port | MJCP DMA Port | | | | |
| 0x11F2 0000 | 0x11FF FFFF | 896K | Reserved | Reserved | | | | |
| 0x1200 0000 | 0x1207 FFFF | 512K | HDVICP DMA Port1 | HDVICP DMA Port1 | | | | HDVICP DMA Port1 |
| 0x1208 0000 | 0x120F FFFF | 512K | Reserved | HDVICP DMA Port2 | | Reserved | | |
| 0x1210 0000 | 0x1217 FFFF | 512K | | HDVICP DMA Port3 | | | | |
| 0x1218 0000 | 0x1FFF FFFF | 222.5M | | Reserved | | | | |
| 0x2000 0000 | 0x2000 7FFF | 32K | DDR EMIF Control Regs | DDR EMIF Control Regs | | Reserved | | Reserved |
| 0x2000 8000 | 0x41FF FFFF | 544M-32K | Reserved | Reserved | | | | |
| 0x4200 0000 | 0x49FF FFFF | 128M | | | | | | |
| 0x4A00 0000 | 0x7FFF FFFF | 864M | | | | | | |
| 0x8000 0000 | 0x8FFF FFFF | 256M | DDR EMIF | DDR EMIF | DDR EMIF | DDR EMIF | | |
| 0x9000 0000 | 0xFFFF FFFF | 1792M | Reserved | Reserved | Reserved | Reserved | | |

Table 2-4. ARM Configuration Bus Access to Peripherals

| Region | Address | | |
|------------------------------------|--------------|--------------|------|
| | Start | End | Size |
| EDMA CC | 0x01C0 0000 | 0x01C0 FFFF | 64K |
| EDMA TC0 | 0x01C1 0000 | 0x01C1 03FF | 1K |
| EDMA TC1 | 0x01C1 0400 | 0x01C1 07FF | 1K |
| EDMA TC2 | 0x01C1 0800 | 0x01C1 0BFF | 1K |
| EDMA TC3 | 0x01C1 0C00 | 0x01C1 0FFF | 1K |
| Reserved | 0x01C1 1000 | 0x01C1 FFFF | 60 K |
| UART0 | 0x01C2 0000 | 0x01C2 03FF | 1K |
| Reserved | 0x01C2 0400 | 0x01 20 7FFF | 1K |
| Timer 3 | 0x01C2 0800 | 0x01C2 0BFF | 1K |
| Real-time out | 0x01C2 0C00 | 0x01C2 0FFF | 1K |
| I2C | 0x01C2 1000 | 0x01C2 13FF | 1K |
| Timer 0 | 0x01C2 1400 | 0x01C2 17FF | 1K |
| Timer 1 | 0x01C2 1800 | 0x01C2 1BFF | 1K |
| Timer 2 | 0x01C2 1C00 | 0x01C2 1FFF | 1K |
| PWM0 | 0x01C2 2000 | 0x01C2 23FF | 1K |
| PWM1 | 0x01C2 2400 | 0x01C2 27FF | 1K |
| PWM2 | 0x01C2 2800 | 0x01C2 2BFF | 1K |
| PWM3 | 0x01C2 2C00 | 0x01C2 2FFF | 1K |
| SPI4 | 0x01C2 3000 | 0x01C2 37FF | 2K |
| Timer 4 | 0x01C2 3800 | 0x01C2 3BFF | 1K |
| ADCIF | 0x01C2 3C00 | 0x01C2 3FFF | 1K |
| Reserved | 0x01C2 4000 | 0x01C3 4FFF | 112K |
| System Module | 0x01C4 0000 | 0x01C4 07FF | 2K |
| PLL Controller 1 | 0x01C4 0800 | 0x01C4 0BFF | 1K |
| PLL Controller 2 | 0x01C4 0C00 | 0x01C4 0FFF | 1K |
| Power/Sleep Controller | 0x01C4 1000 | 0x01C4 1FFF | 4K |
| Reserved | 0x01C4 2000 | 0x01C4 7FFF | 24K |
| ARM Interrupt Controller | 0x01C4 8000 | 0x01C4 83FF | 1K |
| Reserved | 0x01 C4 8400 | 0x01C63FFF | 111K |
| USB OTG 2.0 Regs / RAM | 0x01C6 4000 | 0x01C6 5FFF | 8K |
| SPI0 | 0x01C6 6000 | 0x01C6 67FF | 2K |
| SPI1 | 0x01C6 6800 | 0x01C6 6FFF | 2K |
| GPIO | 0x01C6 7000 | 0x01C6 77FF | 2K |
| SPI2 | 0x01C6 7800 | 0x01C6 FFFF | 2K |
| SPI3 | 0x01C6 8000 | 0x01C6 87FF | 2K |
| Reserved | 0x01C6 8800 | 0x01C6 87FF | 2K |
| PRTCSS Interface Registers | 0x01C6 9000 | 0x01C6 93FF | 1K |
| KEYSCAN | 0x01C6 9400 | 0x01C6 97FF | 1K |
| HPI | 0x01C6 9800 | 0x01C6 9FFF | 2K |
| Reserved | 0x01C6 A000 | 0x01C6 FFFF | 24K |
| VPSS Subsystem | | | |
| ISP System Configuration Registers | 0x01C7 0000 | 0x01C7 00FF | 256 |
| VPBE Clock Control Register | 0x01C7 0200 | 0x01C7 02FF | 256 |
| Resizer Registers | 0x01C7 0400 | 0x01C7 07FF | 1K |
| IPIPE Registers | 0x01C7 0800 | 0x01C7 0FFF | 2K |
| ISIF Registers | 0x01C7 1000 | 0x01C7 11FF | 512 |

Table 2-4. ARM Configuration Bus Access to Peripherals (continued)

| | Address | | |
|-------------------------------|-------------|-------------|-------------|
| IPIPEIF Registers | 0x01C7 1200 | 0x01C7 12FF | 768 |
| Reserved | 0x01C7 1400 | 0x01C7 17FF | 768 |
| FDIF Registers | 0x01C7 1800 | 0x01C7 1BFF | 1K |
| OSD Registers | 0x01C7 1C00 | 0x01C7 1CFF | 256 |
| Reserved | 0x01C7 1D00 | 0x01C7 1DFF | 256 |
| VENC Registers | 0x01C7 1E00 | 0x01C7 1FFF | 512 |
| Reserved | 0x01C7 2000 | 0x01CF FFFF | 568K |
| Multimedia / SD 1 | 0x01D0 0000 | 0x01D0 1FFF | 8K |
| McBSP | 0x01D0 2000 | 0x01D0 3FFF | 8K |
| Reserved | 0x01D0 4000 | 0x01D0 5FFF | 8K |
| UART1 | 0x01D0 6000 | 0x01D0 63FF | 1K |
| Reserved | 0x01D0 6400 | 0x01D0 7FFF | 3K |
| EMAC Control Registers | 0x01D0 7000 | 0x01D0 9FFF | 0x01D0 7FFF |
| EMAC Control Module RAM | 0x01D0 8000 | | 8K |
| EMAC Control Module Registers | 0x01D0 A000 | 0x01D0 AFFF | 4K |
| EMAC MDIO Control Registers | 0x01D0 B000 | 0x01D0 B7FF | 2K |
| Voice Codec | 0x01D0 C000 | 0x01D0 C3FF | 1K |
| Reserved | 0x01D0 C400 | 0x01D0 FFFF | 17K |
| ASYNC EMIF Control | 0x01D1 0000 | 0x01D1 0FFF | 4K |
| Multimedia / SD 0 | 0x01D1 1000 | 0x01D1 FFFF | 60K |
| Reserved | 0x01D2 0000 | 0x01D3 FFFF | 128K |
| Reserved | 0x01D4 0000 | 0x01DF FFFF | 768K |
| Reserved | 0x01E0 0000 | 0x01FF FFFF | 2M |
| ASYNC EMIF Data (CE0) | 0x0200 0000 | 0x03FF FFFF | 32M |
| ASYNC EMIF Data (CE1) | 0x0400 0000 | 0x05FF FFFF | 32M |
| Reserved | 0x0600 0000 | 0x09FF FFFF | 64M |
| Reserved | 0x0A00 0000 | 0x0FFF FFFF | 96M |

2.7 Pin Assignments

Extensive use of pin multiplexing is used to accommodate the largest number of peripheral functions in the smallest possible package. Pin multiplexing is controlled using a combination of hardware configuration at device reset and software programmable register settings.

2.7.1 Pin Map (Bottom View)

Figure 2-2 through Figure 2-5 show the pin assignments in four quadrants (A, B, C, and D).

| | | | | | | | | | | | |
|---|----------|---------------------|----------|--------------------|------------------------|--------------------------|--------------------|----------------------|------------------------|---|---|
| | | | | | | | | | | B | C |
| | | | | | | | | | | A | D |
| J | PWCTRIO2 | PWCTRIO1 | PECTRIO0 | PWCTRIO4 | PWCTRIO3 | V _{DD12_PRTCSS} | V _{DDS18} | CV _{DD} | V _{SS} | | |
| H | RTCXO | V _{SS_32K} | RESET | EMU1 | TRST | V _{DDS33} | CV _{DD} | CV _{DD} | V _{SS} | | |
| G | RTCXI | TMS | N.B. | TDO | EMU0 | CV _{DD} | N.B. | CV _{DD} | V _{DDA18_ADC} | | |
| F | GIO20 | RTCK | GIO21 | TCK | TDI | V _{DDS33} | V _{DDS33} | V _{SSA_ADC} | V _{SSA18_VC} | | |
| E | GIO16 | GIO18 | GIO19 | GIO17 | V _{DD18_SLDO} | GPIO46 | GIO44 | ADC_CH0 | V _{DDA18_VC} | | |
| D | GIO14 | GIO15 | GIO13 | V _{DDRAM} | GIO49 | GIO1 | ADC_CH4 | ADC_CH3 | V _{SSA33_VC} | | |
| C | GIO12 | GIO9 | N.B. | GIO2 | GIO3 | GIO47 | N.B. | MICIN | LINEO | | |
| B | GIO11 | GIO10 | GIO6 | GIO5 | GIO0 | GPIO45 | ADC_CH1 | MICIP | SPP | | |
| A | RSV0 | GIO8 | GIO7 | GIO4 | GIO48 | ADC_CH5 | ADC_CH2 | V _{COM} | SPN | | |
| | 1 | 2 | 3 | 4 | 5 | 6 | 7 | 8 | 9 | | |

(1) N.B stands for No-Ball.

Figure 2-2. ZCE Pin Map [Quadrant A]

| | 1 | 2 | 3 | 4 | 5 | 6 | 7 | 8 | 9 |
|---|-----------------|------------------------|------------------------|------------------------|---------------------------|--------------------------|--------------------------|------------------|-----------------------|
| W | V _{SS} | GIO32 | GIO35 | GIO36 | GIO41 | DDR_DQM1 | DDR_DQ12 | DDR_DQ8 | DDR_DQ6 |
| V | GIO28 | GIO23 | GIO33 | GIO34 | GIO38 | DDR_DQ15 | DDR_DQ14 | DDR_DQ11 | DDR_DQ5 |
| U | GIO26 | GIO29 | N.B. | GIO31 | GIO40 | DDR_DQSN1 | N.B. | DDR_DQ9 | DDR_DQSN0 |
| T | GIO25 | GIO27 | GIO24 | GIO30 | GIO37 | GIO43 | DDR_DQS1 | DDR_DQGATE0 | DDR_DQGATE1 |
| R | RSV1 | GIO22 | V _{PP} | RSV2 | GIO39 | GIO42 | DDR_DQ13 | DDR_DQ10 | DDR_DQ7 |
| P | USB_DM | V _{SSA18_USB} | V _{SSA33_USB} | V _{DDA33_USB} | V _{DDS33} | V _{DDS33} | V _{DDS18} | V _{SS} | V _{DD18_DDR} |
| N | USB_DP | USB_VBUS | N.B. | V _{DDA18_PLL} | V _{DD18_USB} | V _{DDS33} | N.B. | V _{SS} | V _{DD18_DDR} |
| M | USB_ID | PWRCNTON | PWRST | V _{SSA} | V _{DDA12LDO_USB} | CV _{DD} | V _{SS} | V _{SS} | V _{SS} |
| L | MX11 | V _{SS_MX1} | PWCTRO3 | PWCTRO2 | PWCTRO1 | V _{DDMX1} | V _{SS} | V _{SS} | V _{SS} |
| K | MXO1 | PWCTRO0 | N.B. | PWCTRIO6 | PWCTRIO5 | V _{DD18_PRTCSS} | V _{DD12_PRTCSS} | CV _{DD} | V _{SS} |

| | |
|---|---|
| B | C |
| A | D |

(1) N.B stands for No-Ball.

Figure 2-3. ZCE Pin Map [Quadrant B]

| 10 | 11 | 12 | 13 | 14 | 15 | 16 | 17 | 18 | 19 | |
|-----------------------|-----------------------|------------------------------|-----------------------------|------------------------------|--------|---------|-------------------------------|---------|-----------------|---|
| DDR_DQ4 | DDR_CLK | $\overline{\text{DDR_CLK}}$ | $\overline{\text{DDR_WE}}$ | DDR_BA0 | DDR_A2 | DDR_A6 | DDR_A8 | DDR_A11 | V _{SS} | W |
| DDR_DQ3 | DDR_DQ1 | $\overline{\text{DDR_CAS}}$ | DDR_BA2 | DDR_A1 | DDR_A5 | DDR_A10 | DDR_A12 | EM_A13 | EM_A11 | V |
| N.B. | DDR_DQ0 | $\overline{\text{DDR_RAS}}$ | N.B. | DDR_A0 | DDR_A4 | DDR_A9 | N.B. | EM_A12 | EM_A10 | U |
| DDR_DQS0 | DDR_DQM0 | $\overline{\text{DDR_CS}}$ | DDR_BA1 | DDR_A3 | DDR_A7 | DDR_A13 | EM_A7 | EM_A9 | EM_A8 | T |
| DDR_DQ2 | DDR_PADREFFP | V _{DD18_DDR} | DDR_CKE | V _{DD_AEMIF1_18_33} | EM_A3 | EM_A5 | EM_BA1 | EM_A6 | EM_A4 | R |
| V _{DD18_DDR} | DDR_VREF | V _{DD18_DDR} | V _{SS} | V _{DD_AEMIF1_18_33} | EM_D12 | EM_D14 | EM_BA0 | EM_D15 | EM_D13 | P |
| N.B. | V _{DD18_DDR} | V _{SS} | N.B. | V _{SS} | EM_D8 | EM_D11 | N.B. | EM_D10 | EM_D9 | N |
| CV _{DD} | V _{SS} | CV _{DD} | CV _{DD} | V _{DD18} | EM_CLK | EM_ADV | $\overline{\text{EM_CE[0]}}$ | EM_A2 | EM_A1 | M |
| V _{SS} | V _{SS} | V _{DD18} | CV _{DD} | V _{DD_AEMIF2_18_33} | EM_D4 | EM_D7 | EM_A0 | EM_D6 | EM_D5 | L |
| V _{SS} | V _{SS} | CV _{DD} | N.B. | V _{DD_AEMIF2_18_33} | EM_D3 | EM_D1 | N.B. | EM_D0 | EM_D2 | K |

| | |
|---|---|
| B | C |
| A | D |

(1) N.B stands for No-Ball.

Figure 2-4. ZCE Pin Map [Quadrant C]

| | | | | | | | | | | | | |
|---|---|-------------------------|-------------------------|----------------------------|----------------------------|---------------------|------------------------|--------------------------|--------------------------|--------------------------|--------------------------|---|
| B | C | | | | | | | | | | | |
| A | D | | | | | | | | | | | |
| | | V _{SS} | V _{SS} | CV _{DD} | V _{SS} | CV _{DD} | EM_WE | MMCS ₀ _CLK | EM_CE[1] | EM_WAIT | EM_OE | J |
| | | V _{SS} | V _{DD} S18 | CV _{DD} | V _{DD} S33 | V _{DD} S18 | MMCS ₀ _CMD | MMCS ₀ _DATA3 | MMCS ₀ _DATA2 | MMCS ₀ _DATA0 | MMCS ₀ _DATA1 | H |
| | | N.B. | V _{SS} | V _{SS} | N.B. | V _{DD} S18 | HSYNC | YOUT7 | N.B. | VS _Y NC | YOUT6 | G |
| | | V _{DD} S33 | V _{SS} A12_DAC | V _{DD} _ISIF18_33 | V _{DD} _ISIF18_33 | V _{SS} | YOUT5 | YOUT3 | YOUT1 | YOUT4 | YOUT2 | F |
| | | V _{DD} A33_VC | V _{SS} A18_DAC | V _{DD} A12_DAC | C_WE_FIELD | V _{SS} | COUT5 | YOUT0 | COUT4 | COUT7 | COUT6 | E |
| | | V _{DD} A18_DAC | VREF | YIN4 | PCLK | YIN1 | YIN0 | COUT3 | COUT0 | COUT1 | COUT2 | D |
| | | N.B. | COMP _{PR} | YIN7 | N.B. | HD | CIN6 | CIN2 | N.B. | FIELD | LCD_OE | C |
| | | VFB | IDACOUT | COMP _Y | YIN5 | VD | YIN2 | CIN5 | CIN0 | VCLK | EXTCLK | B |
| | | TVOUT | IREF | COMP _{PB} | YIN6 | YIN3 | CIN7 | CIN4 | CIN3 | CIN1 | V _{SS} | A |
| | | 10 | 11 | 12 | 13 | 14 | 15 | 16 | 17 | 18 | 19 | |

(1) N.B stands for No-Ball.

Figure 2-5. ZCE Pin Map [Quadrant D]

2.8 Terminal Functions

Table 2-5 provides a complete pin description list which shows external signal names, the associated pin (ball) numbers along with the mechanical package designator, the pin type, whether the pin has any internal pullup or pulldown resistors, and a functional pin description. For more detailed information on device configuration, peripheral selection, multiplexed/shared pins, and debugging considerations, see Section 3.

Table 2-5. Pin Descriptions

| Name | BGA ID | Type ⁽¹⁾ | Group | Power Supply ⁽²⁾ | IPU IPD ⁽³⁾ | Reset State | Description ⁽⁴⁾ |
|---------------------|--------|---------------------|-------|-----------------------------|------------------------|-------------|---|
| CIN7 ⁽⁵⁾ | A15 | I/O | ISIF | V _{DD_ISIF18_33} | IPD | Input | Standard ISIF Analog Front End (AFE): raw[7] YCC 16-bit: time multiplexed between chroma: CB/CR[07] YCC 08-bit (which allows for 2 simultaneous decoder inputs), it is time multiplexed between luma and chroma of the upper channel. Y/CB/CR[07] |
| CIN6 ⁽⁵⁾ | C15 | I/O | ISIF | V _{DD_ISIF18_33} | IPD | Input | Standard ISIF Analog Front End (AFE): raw[6] YCC 16-bit: time multiplexed between chroma: CB/CR[06] YCC 08-bit (which allows for 2 simultaneous decoder inputs), it is time multiplexed between luma and chroma of the upper channel. Y/CB/CR[06] |
| CIN5 ⁽⁵⁾ | B16 | I/O | ISIF | V _{DD_ISIF18_33} | IPD | Input | Standard ISIF Analog Front End (AFE): raw[5] YCC 16-bit: time multiplexed between chroma: CB/CR[05] YCC 08-bit (which allows for 2 simultaneous decoder inputs), it is time multiplexed between luma and chroma of the upper channel. Y/CB/CR[05] |
| CIN4 ⁽⁵⁾ | A16 | I/O | ISIF | V _{DD_ISIF18_33} | IPD | Input | Standard ISIF Analog Front End (AFE): raw[4] YCC 16-bit: time multiplexed between chroma: CB/CR[04] YCC 08-bit (which allows for 2 simultaneous decoder inputs), it is time multiplexed between luma and chroma of the upper channel. Y/CB/CR[04] |
| CIN3 ⁽⁵⁾ | A17 | I/O | ISIF | V _{DD_ISIF18_33} | IPD | Input | Standard ISIF Analog Front End (AFE): raw[3] YCC 16-bit: time multiplexed between chroma: CB/CR[03] YCC 08-bit (which allows for 2 simultaneous decoder inputs), it is time multiplexed between luma and chroma of the upper channel. Y/CB/CR[03] |
| CIN2 ⁽⁵⁾ | C16 | I/O | ISIF | V _{DD_ISIF18_33} | IPD | Input | Standard ISIF Analog Front End (AFE): raw[2] YCC 16-bit: time multiplexed between chroma: CB/CR[02] YCC 08-bit (which allows for 2 simultaneous decoder inputs), it is time multiplexed between luma and chroma of the upper channel. Y/CB/CR[02] |

(1) I = Input, O = Output, Z = High impedance, S = Supply voltage, GND = Ground, A = Analog signal.

(2) Specifies the operating I/O supply voltage for each signal. See Section 6.3, *Power Supplies* for more detail.

(3) PD = pull-down, PU = pull-up. (To pull up a signal to the opposite supply rail, a 1 kΩ resistor should be used.)

(4) To reduce EMI and reflections, depending on the trace length, approximately 22 Ω to 50 Ω damping resistors are recommend on the following outputs placed near the device: YOUT(0-7), COUT(0-7), HSYNC, VSYNC, LCD_OE, FIELD, and, VCLK. The trace lengths should be minimized.

(5) The Y input (YIN[7:0]) and C input (CIN[7:0]) buses can be swapped by programming the field bit YCINSWP in the VPFE CCD Configuration (CCDCFG) register (0x01C7 0136h).

IF YCINSWP bit is 0 (default) YIN[7:0] = Y signal / CIN[7:0] = C signal .

IF YCINSWP bit is 1 YIN[7:0] = C signal / CIN[7:0] = Y signal

For more information, see the TMS320DM36x Video Processing Front End (VPFE) Reference Guide (literature number [SPRUF8](#)).

Table 2-5. Pin Descriptions (continued)

| Name | BGA ID | Type ⁽¹⁾ | Group | Power Supply ⁽²⁾ | IPU IPD ⁽³⁾ | Reset State | Description ⁽⁴⁾ |
|--|--------|---------------------|-------------------|-----------------------------|------------------------|-------------|---|
| CIN1 ⁽⁵⁾ | A18 | I/O | ISIF | V _{DD_ISIF18_33} | IPD | Input | Standard ISIF Analog Front End (AFE): raw[1] YCC 16-bit: time multiplexed between chroma: CB/CR[01] YCC 08-bit (which allows for 2 simultaneous decoder inputs), it is time multiplexed between luma and chroma of the upper channel. Y/CB/CR[01] |
| CIN0 ⁽⁵⁾ | B17 | I/O | ISIF | V _{DD_ISIF18_33} | IPD | Input | Standard ISIF Analog Front End (AFE): raw[0] YCC 16-bit: time multiplexed between chroma: CB/CR[00] YCC 08-bit (which allows for 2 simultaneous decoder inputs), it is time multiplexed between luma and chroma of the upper channel. Y/CB/CR[00] |
| YIN7 ⁽⁵⁾ / GIO103 / SPI3_SCLK | C12 | I/O | ISIF / GIO / SPI3 | V _{DD_ISIF18_33} | IPD | Input | Standard ISIF Analog Front End (AFE): raw[15] YCC 16-bit: time multiplexed between luma: Y[07] YCC 08-bit (which allows for 2 simultaneous decoder inputs), it is time multiplexed between luma and chroma of the lower channel. Y/CB/CR[07] GIO: GIO[103] SPI3: Clock |
| YIN6 ⁽⁵⁾ / GIO102 / SPI3_SIMO | A13 | I/O | ISIF / GIO / SPI3 | V _{DD_ISIF18_33} | IPD | Input | Standard ISIF Analog Front End (AFE): raw[14] YCC 16-bit: time multiplexed between luma: Y[06] YCC 08-bit (which allows for 2 simultaneous decoder inputs), it is time multiplexed between luma and chroma of the lower channel. Y/CB/CR[06] GIO: GIO[102] SPI3: Slave Input Master Output Data Signal |
| YIN5 ⁽⁶⁾ / GIO101 / SPI3_SCS[0] | B13 | I/O | ISIF / GIO / SPI3 | V _{DD_ISIF18_33} | IPD | Input | Standard ISIF Analog Front End (AFE): raw[13] YCC 16-bit: time multiplexed between luma: Y[05] YCC 08-bit (which allows for 2 simultaneous decoder inputs), it is time multiplexed between luma and chroma of the lower channel. Y/CB/CR[05] GIO: GIO[101] SPI3: Chip Select 0 |
| YIN4 ⁽⁶⁾ / GIO100 / SPI3_SOMI / SPI3_SCS[1] | D12 | I/O | ISIF / GIO / SPI3 | V _{DD_ISIF18_33} | IPD | Input | Standard ISIF Analog Front End (AFE): raw[12] YCC 16-bit: time multiplexed between luma: Y[04] YCC 08-bit (which allows for 2 simultaneous decoder inputs), it is time multiplexed between luma and chroma of the lower channel. Y/CB/CR[04] GIO: GIO[100] SPI3: Slave Output Master Input Data Signal SPI3: Chip Select 1 |

(6) The Y input (YIN[7:0]) and C input (CIN[7:0]) buses can be swapped by programming the field bit YCINSWP in the VPFE CCD Configuration (CCDCFG) register (0x01C7 0136h).
 IF YCINSWP bit is 0 (default) YIN[7:0] = Y signal / CIN[7:0] = C signal .
 IF YCINSWP bit is 1 YIN[7:0] = C signal / CIN[7:0] = Y signal
 For more information, see the TMS320DM36x Video Processing Front End (VPFE) Reference Guide (literature number [SPRUF68](#)).

Table 2-5. Pin Descriptions (continued)

| Name | BGA ID | Type ⁽¹⁾ | Group | Power Supply ⁽²⁾ | IPU IPD ⁽³⁾ | Reset State | Description ⁽⁴⁾ |
|---|--------|---------------------|---------------------------|-----------------------------|------------------------|-------------|---|
| YIN3 ⁽⁶⁾ / GIO99 | A14 | I/O | ISIF / GIO | V _{DD_ISIF18_33} | IPD | Input | Standard ISIF Analog Front End (AFE): raw[11] YCC 16-bit: time multiplexed between luma: Y[03] YCC 08-bit (which allows for 2 simultaneous decoder inputs), it is time multiplexed between luma and chroma of the lower channel. Y/CB/CR[03] GIO: GIO[99] |
| YIN2 ⁽⁶⁾ / GIO98 | B15 | I/O | ISIF / GIO | V _{DD_ISIF18_33} | IPD | Input | Standard ISIF Analog Front End (AFE): raw[10] YCC 16-bit: time multiplexed between luma: Y[02] YCC 08-bit (which allows for 2 simultaneous decoder inputs), it is time multiplexed between luma and chroma of the lower channel. Y/CB/CR[02] GIO: GIO[98] |
| YIN1 ⁽⁶⁾ / GIO97 | D14 | I/O | ISIF / GIO | V _{DD_ISIF18_33} | IPD | Input | Standard ISIF Analog Front End (AFE): raw[09] YCC 16-bit: time multiplexed between luma: Y[01] YCC 08-bit (which allows for 2 simultaneous decoder inputs), it is time multiplexed between luma and chroma of the lower channel. Y/CB/CR[01] GIO: GIO[97] |
| YIN0 ⁽⁷⁾ / GIO96 | D15 | I/O | ISIF / GIO | V _{DD_ISIF18_33} | IPD | Input | Standard ISIF Analog Front End (AFE): raw[08] YCC 16-bit: time multiplexed between luma: Y[00] YCC 08-bit (which allows for 2 simultaneous decoder inputs), it is time multiplexed between luma and chroma of the lower channel. Y/CB/CR[00] GIO: GIO[96] |
| HD / GIO95 | C14 | I/O | ISIF / GIO | V _{DD_ISIF18_33} | IPD | Input | Horizontal synchronization signal that can be either an input (slave mode) or an output (master mode). Tells the ISIF when a new line starts. GIO: GIO[95] |
| VD / GIO94 | B14 | I/O | ISIF / GIO | V _{DD_ISIF18_33} | IPD | Input | Vertical synchronization signal that can be either an input (slave mode) or an output (master mode). Tells the ISIF when a new frame starts. GIO: GIO[94] |
| C_WE_FIELD / GIO93 / CLKOUT0 / USBDRVVBUS | E13 | I/O | ISIF / GIO / CLKOUT / USB | V _{DD_ISIF18_33} | IPD | Input | Write enable input signal is used by external device (AFE/TG) to gate the DDR output of the ISIF module. Alternately, the field identification input signal is used by external device (AFE/TG) to indicate the which of two frames is input to the ISIF module for sensors with interlaced output. ISIF handles 1- or 2-field sensors in hardware. GIO: GIO[93] CLKOUT0: Clock Output USB: Digital output to control external 5 V supply |
| PCLK | D13 | I/O/Z | ISIF | V _{DD_ISIF18_33} | IPD | Input | Pixel clock input (strobe for lines C17 through Y10) |

(7) The Y input (YIN[7:0]) and C input (CIN[7:0]) buses can be swapped by programming the field bit YCINSWP in the VPFE CCD Configuration (CCDCFG) register (0x01C7 0136h).
IF YCINSWP bit is 0 (default) YIN[7:0] = Y signal / CIN[7:0] = C signal .
IF YCINSWP bit is 1 YIN[7:0] = C signal / CIN[7:0] = Y signal
For more information, see the TMS320DM36x Video Processing Front End (VPFE) Reference Guide (literature number [SPRUF8](#)).

Table 2-5. Pin Descriptions (continued)

| Name | BGA ID | Type ⁽¹⁾ | Group | Power Supply ⁽²⁾ | IPU IPD ⁽³⁾ | Reset State | Description ⁽⁴⁾ |
|---------------------------|--------|---------------------|------------|-----------------------------|------------------------|-------------|--|
| YOUT7(R7) ⁽⁸⁾ | G16 | I/O | VENC | V _{DD} S33 | | Input | Digital Video Out: VENC settings determine function ⁽⁹⁾ . For more details, see the <i>DM36x DMSoC Video Processor Back End User's Guide</i> (SPRUFG9). |
| YOUT6(R6) ⁽⁸⁾ | G19 | I/O | VENC | V _{DD} S33 | | Input | Digital Video Out: VENC settings determine function ⁽⁹⁾ . For more details, see the <i>DM36x DMSoC Video Processor Back End User's Guide</i> (SPRUFG9). |
| YOUT5(R5) ⁽⁸⁾ | F15 | I/O | VENC | V _{DD} S33 | | Input | Digital Video Out: VENC settings determine function ⁽⁹⁾ . For more details, see the <i>DM36x DMSoC Video Processor Back End User's Guide</i> (SPRUFG9). |
| YOUT4(R4) ⁽⁸⁾ | F18 | I/O | VENC | V _{DD} S33 | | Input | Digital Video Out: VENC settings determine function ⁽⁹⁾ . For more details, see the <i>DM36x DMSoC Video Processor Back End User's Guide</i> (SPRUFG9). |
| YOUT3(R3) ⁽⁸⁾ | F16 | I/O | VENC | V _{DD} S33 | | Input | Digital Video Out: VENC settings determine function ⁽⁹⁾ . For more details, see the <i>DM36x DMSoC Video Processor Back End User's Guide</i> (SPRUFG9). |
| YOUT2(G7) ⁽⁸⁾ | F19 | I/O | VENC | V _{DD} S33 | | Input | Digital Video Out: VENC settings determine function ⁽⁹⁾ . For more details, see the <i>DM36x DMSoC Video Processor Back End User's Guide</i> (SPRUFG9). |
| YOUT1(G6) ⁽¹⁰⁾ | F17 | I/O | VENC | V _{DD} S33 | | Input | Digital Video Out: VENC settings determine function ⁽¹¹⁾ . For more details, see the <i>DM36x DMSoC Video Processor Back End User's Guide</i> (SPRUFG9). |
| YOUT0(G5) ⁽¹⁰⁾ | E16 | I/O | VENC | V _{DD} S33 | | Input | Digital Video Out: VENC settings determine function ⁽¹¹⁾ . For more details, see the <i>DM36x DMSoC Video Processor Back End User's Guide</i> (SPRUFG9). |
| HSYNC / GIO84 | G15 | I/O | VENC / GIO | V _{DD} S33 | | Input | Video Encoder: Horizontal Sync ⁽¹¹⁾ GIO: GIO[84] |
| VSYNC / GIO83 | G18 | I/O | VENC / GIO | V _{DD} S33 | | Input | Video Encoder: Vertical Sync ⁽¹¹⁾ GIO: GIO[83] |
| LCD_OE / GIO82 | C19 | I/O | VENC / GIO | V _{DD} S33 | | Output | Video Encoder: Data valid duration ⁽¹¹⁾ GIO: GIO[82] |

(8) The Y output (YOUT[7:0]) and C output (COUT[7:0]) buses can be swapped by programming the field bit YCOUTSWP in the VPFE CCD Configuration (CCDCFG) register (0x01C7 0136h). If the YCOUTSWP bit is 0 (default), YOUT[7:0] = Y signal / COUT[7:0] = C signal. If the YCOUTSWP bit is 1, YOUT[7:0] = C signal / COUT[7:0] = Y signal. For more information, see the *TMS320DM36x Video Processing Front End (VPFE) Reference Guide* (literature number SPRUFG8).

(9) To reduce EMI and reflections, depending on the trace length, approximately 22 Ω to 50 Ω damping resistors are recommended on the following outputs placed near the device: YOUT(0-7), COUT(0-7), HSYNC, VSYNC, LCD_OE, FIELD, and VCLK. The trace lengths should be minimized.

(10) The Y output (YOUT[7:0]) and C output (COUT[7:0]) buses can be swapped by programming the field bit YCOUTSWP in the VPFE CCD Configuration (CCDCFG) register (0x01C7 0136h). If the YCOUTSWP bit is 0 (default), YOUT[7:0] = Y signal / COUT[7:0] = C signal. If the YCOUTSWP bit is 1, YOUT[7:0] = C signal / COUT[7:0] = Y signal. For more information, see the *TMS320DM36x Video Processing Front End (VPFE) Reference Guide* (literature number SPRUFG8).

(11) To reduce EMI and reflections, depending on the trace length, approximately 22 Ω to 50 Ω damping resistors are recommended on the following outputs placed near the device: YOUT(0-7), COUT(0-7), HSYNC, VSYNC, LCD_OE, FIELD, and VCLK. The trace lengths should be minimized.

Table 2-5. Pin Descriptions (continued)

| Name | BGA ID | Type ⁽¹⁾ | Group | Power Supply ⁽²⁾ | IPU IPD ⁽³⁾ | Reset State | Description ⁽⁴⁾ |
|---|--------|---------------------|--------------------------|-----------------------------|------------------------|-------------|--|
| GIO80 / EXTCLK / B2 / PWM3 | B19 | I/O | GIO / VENC / PWM3 | V _{DDS33} | IPD | Input | GIO: GIO[80] Video Encoder: External clock Input, used if clock rates > 27 MHz are needed, e.g. 74.25 MHz for HDTV digital output. Digital Video Out: B2 ⁽¹¹⁾ . For more details, see the <i>DM36x DMSoC Video Processor Back End User's Guide</i> (SPRUFG9). PWM3: PWM3 Output |
| VCLK / GIO79 | B18 | I/O | VENC / GIO | V _{DDS33} | | Input | Video Encoder: Video Output Clock ⁽¹¹⁾ GIO: GIO[79] |
| GIO92 / COUT7(G4) ⁽¹⁰⁾ / PWM0 | E18 | I/O | GIO / VENC / PWM0 | V _{DDS33} | | Input | GIO: GIO[92] Digital Video Out: VENC settings determine function ⁽¹¹⁾ . For more details, see the <i>DM36x DMSoC Video Processor Back End User's Guide</i> (SPRUFG9). PWM0: PWM0 Output |
| GIO91 / COUT6(G3) ⁽¹⁰⁾ / PWM1 | E19 | I/O | GIO / VENC / PWM1 | V _{DDS33} | | Input | GIO: GIO[91] Digital Video Out: VENC settings determine function ⁽¹¹⁾ . For more details, see the <i>DM36x DMSoC Video Processor Back End User's Guide</i> (SPRUFG9). PWM1: PWM1 Output |
| GIO90 / COUT5(G2) ⁽¹⁰⁾ / PWM2 / RTO0 | E15 | I/O | GIO / VENC / PWM2 / RTO0 | V _{DDS33} | | Input | GIO: GIO[90] Digital Video Out: VENC settings determine function ⁽¹¹⁾ . For more details, see the <i>DM36x DMSoC Video Processor Back End User's Guide</i> (SPRUFG9). PWM2: PWM2 Output RTO0: RTO0 Output |
| GIO89 / COUT4(B7) ⁽¹²⁾ / PWM2 / RTO1 | E17 | I/O | GIO / VENC / PWM2 / RTO1 | V _{DDS33} | | Input | GIO: GIO[89] Digital Video Out: VENC settings determine function ⁽¹³⁾ . For more details, see the <i>DM36x DMSoC Video Processor Back End User's Guide</i> (SPRUFG9). PWM2: PWM2 Output RTO1: RTO1 Output |

(12) The Y output (YOUT[7:0]) and C output (COUT[7:0]) buses can be swapped by programming the field bit YCOUTSWP in the VPFE CCD Configuration (CCDCFG) register (0x01C7 0136h). If the YCOUTSWP bit is 0 (default), YOUT[7:0] = Y signal / COUT[7:0] = C signal. If the YCOUTSWP bit is 1, YOUT[7:0] = C signal / COUT[7:0] = Y signal. For more information, see the *TMS320DM36x Video Processing Front End (VPFE) Reference Guide* (literature number SPRUFG8).

(13) To reduce EMI and reflections, depending on the trace length, approximately 22 Ω to 50 Ω damping resistors are recommended on the following outputs placed near the device: YOUT(0-7), COUT(0-7), HSYNC, VSYNC, LCD_OE, FIELD, and, VCLK. The trace lengths should be minimized.

Table 2-5. Pin Descriptions (continued)

| Name | BGA ID | Type ⁽¹⁾ | Group | Power Supply ⁽²⁾ | IPU IPD ⁽³⁾ | Reset State | Description ⁽⁴⁾ |
|---|--------|---------------------|-----------------------------------|-----------------------------|------------------------|-------------|--|
| GIO88 / COUT3(B6) ⁽¹²⁾ / PWM2 / RTO2 | D16 | I/O | GIO / VENC / PWM2 / RTO2 | V _{DDS33} | | Input | GIO: GIO[88] Digital Video Out: VENC settings determine function ⁽¹³⁾ . For more details, see the <i>DM36x DMSoC Video Processor Back End User's Guide</i> (SPRUFG9). PWM2: PWM2 Output RTO2: RTO2 Output |
| GIO87 / COUT2(B5) ⁽¹²⁾ / PWM2 / RTO3 | D19 | I/O | GIO / VENC /PWM2 / RTO3 | V _{DDS33} | | Input | GIO: GIO[87] Digital Video Out: VENC settings determine function ⁽¹³⁾ . For more details, see the <i>DM36x DMSoC Video Processor Back End User's Guide</i> (SPRUFG9). PWM2: PWM2 Output RTO3: RTO3 Output |
| GIO86 / COUT1(B4) ⁽¹²⁾ / PWM3 / STTRIG | D18 | I/O | GIO / VENC / PWM3 | V _{DDS33} | | Input | GIO: GIO[86] Digital Video Out: VENC settings determine function ⁽¹³⁾ . For more details, see the <i>DM36x DMSoC Video Processor Back End User's Guide</i> (SPRUFG9). PWM3: PWM3 Output STTRIG: Camera FLASH control trigger signal |
| GIO85 / COUT0(B3) ⁽¹⁴⁾ / PWM3 | D17 | I/O | GIO / VENC / PWM3 | V _{DDS33} | | Input | GIO: GIO[85] Digital Video Out: VENC settings determine function ⁽¹⁵⁾ . For more details, see the <i>DM36x DMSoC Video Processor Back End User's Guide</i> (SPRUFG9). PWM3: PWM3 Output |
| GIO81(OSCCFG) / LCD_FIELD / R2 / PWM3 | C18 | I/O | GIO / VENC / PWM3 | V _{DDS33} | | Input | GIO: GIO[81] Note: This pin will be used as oscillator configuration (OSCCFG). The GIO81(OSCCFG) state is latched during reset, and it specifies the oscillation frequency range mode of the pin. See Section 3.7.6 for more details. Video Encoder: Field identifier for interlaced display formats ⁽¹⁵⁾ . For more details, see the <i>DM36x DMSoC Video Processor Back End User's Guide</i> (SPRUFG9). Digital Video Out: R2 ⁽¹⁵⁾ PWM3: PWM3 Output |

(14) The Y output (YOUT[7:0]) and C output (COUT[7:0]) buses can be swapped by programming the field bit YCOUTSWP in the VPFE CCD Configuration (CCDCFG) register (0x01C7 0136h). If the YCOUTSWP bit is 0 (default), YOUT[7:0] = Y signal / COUT[7:0] = C signal. If the YCOUTSWP bit is 1, YOUT[7:0] = C signal / COUT[7:0] = Y signal. For more information, see the *TMS320DM36x Video Processing Front End (VPFE) Reference Guide* (literature number SPRUFG8).

(15) To reduce EMI and reflections, depending on the trace length, approximately 22 Ω to 50 Ω damping resistors are recommended on the following outputs placed near the device: YOUT(0-7), COUT(0-7), HSYNC, VSYNC, LCD_OE, FIELD, and, VCLK. The trace lengths should be minimized.

Table 2-5. Pin Descriptions (continued)

| Name | BGA ID | Type ⁽¹⁾ | Group | Power Supply ⁽²⁾ | IPU IPD ⁽³⁾ | Reset State | Description ⁽⁴⁾ |
|------------------------|--------|---------------------|-----------|-----------------------------|------------------------|-------------|---|
| VREF | D11 | A I | Video DAC | V _{DDA18_DAC} | | | Video DAC: Reference voltage for DAC. For more details, see Section 6.12.2.4, DAC and Video Buffer Electrical Data/Timing . Note: If the DAC peripheral is not used, this pin must be tied directly to V _{SS} for proper device operation. |
| IREF | A11 | A I/O | Video DAC | V _{DDA18_DAC} | | | Video DAC: Sets reference current for DAC. An external resistor with nominal value, 2400 ohms, is connected between IREF and V _{SS} . For more details, see Section 6.12.2.4, DAC and Video Buffer Electrical Data/Timing . Note: If the DAC peripheral is not used, this pin must be tied directly to V _{SS} for proper device operation. |
| IDACOUT | B11 | A I/O | Video DAC | V _{DDA18_DAC} | | | Video DAC: Current source input from DAC. An external resistor with nominal value, 2100 ohms, is connected between IDACOUT and VFB. For more details, see Section 6.12.2.4, DAC and Video Buffer Electrical Data/Timing . Note: If the DAC peripheral is not used at all in the application, this pin can either be connected to V _{SS} or be left open. |
| VFB | B10 | A I/O | Video DAC | V _{DDA18_DAC} | | | Video DAC: Amplifier feedback node. An external resistor with nominal value, 2150 ohms, is connected between VFB and TVOUT. For more details, see Section 6.12.2.4, DAC and Video Buffer Electrical Data/Timing . Note: If the DAC peripheral is not used at all in the application, this pin can either be connected to V _{SS} or be left open. |
| TVOUT | A10 | A I/O | Video DAC | V _{DDA18_DAC} | | | Video DAC: DAC1 video output. An external resistor with nominal value, 2150 ohms, is connected between TVOUT and VFB. This is the output node that drives the load (75 ohms). For more details, see Section 6.12.2.4, DAC and Video Buffer Electrical Data/Timing . Note: If the DAC peripheral is not used at all in the application, this pin can either be connected to V _{SS} or be left open. |
| COMPY | B12 | A O | Video DAC | V _{DDA18_DAC} | | | Video DAC: Analog video signal component output Y Note: If the DAC peripheral is not used at all in the application, this pin can either be connected to V _{SS} or be left open. |
| COMPPB | A12 | A O | Video DAC | V _{DDA18_DAC} | | | Video DAC: Analog video signal component output Pb Note: If the DAC peripheral is not used at all in the application, this pin can either be connected to V _{SS} or be left open. |
| COMPPR | C11 | A O | Video DAC | V _{DDA18_DAC} | | | Video DAC: Analog video signal component output Pr Note: If the DAC peripheral is not used at all in the application, this pin can either be connected to V _{SS} or be left open. |
| V _{DDA18_DAC} | D10 | PWR | Video DAC | V _{DDA18_DAC} | | | Video DAC: Analog 1.8-V power Note: If the DAC peripheral is not used, this pin must be tied directly to V _{SS} for proper device operation. |
| V _{DDA12_DAC} | E12 | PWR | Video DAC | V _{DDA12_DAC} | | | Video DAC: Analog 1.2-V power Note: If the DAC peripheral is not used, this pin must be tied directly to V _{SS} for proper device operation. |

Table 2-5. Pin Descriptions (continued)

| Name | BGA ID | Type ⁽¹⁾ | Group | Power Supply ⁽²⁾ | IPU IPD ⁽³⁾ | Reset State | Description ⁽⁴⁾ |
|------------------------------|--------|---------------------|-----------|-----------------------------|------------------------|-------------|--|
| V _{SSA18_DAC} | E11 | GND | Video DAC | | | | Video DAC: Analog 1.8-V ground Note: If the DAC peripheral is not used, this pin must be tied directly to V _{SS} for proper device operation. |
| V _{SSA12_DAC} | F11 | GND | Video DAC | | | | Video DAC: Analog 1.2-V ground Note: If the DAC peripheral is not used, this pin must be tied directly to V _{SS} for proper device operation. |
| DDR_CLK | W11 | O | DDR | V _{DD18_DDR} | | | DDR Data Clock |
| $\overline{\text{DDR_CLK}}$ | W12 | O | DDR | V _{DD18_DDR} | | | DDR Complementary Data Clock |
| $\overline{\text{DDR_RAS}}$ | U12 | O | DDR | V _{DD18_DDR} | | | DDR Row Address Strobe |
| $\overline{\text{DDR_CAS}}$ | V12 | O | DDR | V _{DD18_DDR} | | | DDR Column Address Strobe |
| $\overline{\text{DDR_WE}}$ | W13 | O | DDR | V _{DD18_DDR} | | | DDR Write Enable |
| $\overline{\text{DDR_CS}}$ | T12 | O | DDR | V _{DD18_DDR} | | | DDR Chip Select |
| DDR_CKE | R13 | O | DDR | V _{DD18_DDR} | | | DDR Clock Enable |
| DDR_DQM[1] | W6 | O | DDR | V _{DD18_DDR} | | | Data mask input for DDR_DQ[15:8] |
| DDR_DQM[0] | T11 | O | DDR | V _{DD18_DDR} | | | Data mask input for DDR_DQ[7:0] |
| DDR_DQS[1] | T7 | I/O | DDR | V _{DD18_DDR} | | | Data strobe input/outputs for each byte of the 16-bit data bus used to synchronize the data transfers. Output to DDR2 when writing and inputs when reading. They are used to synchronize the data transfers. DDR_DQS1: For DDR_DQ[15:8] |
| DDR_DQS[0] | T10 | I/O | DDR | V _{DD18_DDR} | | | Data strobe input/outputs for each byte of the 16-bit data bus used to synchronize the data transfers. Output to DDR2 when writing and inputs when reading. They are used to synchronize the data transfers. DDR_DQS0: For DDR_DQ[7:0] |
| DDR_DQSN[1] | U6 | I/O | DDR | V _{DD18_DDR} | | | DDR: Complimentary data strobe input/outputs for each byte of the 16-bit data bus. They are outputs to the DDR2 when writing and inputs when reading. They are used to synchronize the data transfers. Note: This signal is used in double ended differential memory interfaces supported by the device. |
| DDR_DQSN[0] | U9 | I/O | DDR | V _{DD18_DDR} | | | DDR: Complimentary data strobe input/outputs for each byte of the 16-bit data bus. They are outputs to the DDR2 when writing and inputs when reading. They are used to synchronize the data transfers. Note: This signal is used in double ended differential memory interfaces supported by the device. |
| DDR_BA[2] | V13 | O | DDR | V _{DD18_DDR} | | | Bank select outputs. Two are required for 1Gb DDR2 memories. |
| DDR_BA[1] | T13 | O | DDR | V _{DD18_DDR} | | | Bank select outputs. Two are required for 1Gb DDR2 memories. |
| DDR_BA[0] | W14 | O | DDR | V _{DD18_DDR} | | | Bank select outputs. Two are required for 1Gb DDR2 memories. |
| DDR_A13 | T16 | O | DDR | V _{DD18_DDR} | | | DDR Address Bus bit 13 |
| DDR_A12 | V17 | O | DDR | V _{DD18_DDR} | | | DDR Address Bus bit 12 |
| DDR_A11 | W18 | O | DDR | V _{DD18_DDR} | | | DDR Address Bus bit 11 |
| DDR_A10 | V16 | O | DDR | V _{DD18_DDR} | | | DDR Address Bus bit 10 |
| DDR_A9 | U16 | O | DDR | V _{DD18_DDR} | | | DDR Address Bus bit 09 |
| DDR_A8 | W17 | O | DDR | V _{DD18_DDR} | | | DDR Address Bus bit 08 |
| DDR_A7 | T15 | O | DDR | V _{DD18_DDR} | | | DDR Address Bus bit 07 |
| DDR_A6 | W16 | O | DDR | V _{DD18_DDR} | | | DDR Address Bus bit 06 |

Table 2-5. Pin Descriptions (continued)

| Name | BGA ID | Type ⁽¹⁾ | Group | Power Supply ⁽²⁾ | IPU IPD ⁽³⁾ | Reset State | Description ⁽⁴⁾ |
|---------------------------|--------|---------------------|------------------------|------------------------------|-----------------------------|-------------|---|
| DDR_A5 | V15 | O | DDR | V _{DD18_DDR} | | | DDR Address Bus bit 05 |
| DDR_A4 | U15 | O | DDR | V _{DD18_DDR} | | | DDR Address Bus bit 04 |
| DDR_A3 | T14 | O | DDR | V _{DD18_DDR} | | | DDR Address Bus bit 03 |
| DDR_A2 | W15 | O | DDR | V _{DD18_DDR} | | | DDR Address Bus bit 02 |
| DDR_A1 | V14 | O | DDR | V _{DD18_DDR} | | | DDR Address Bus bit 01 |
| DDR_A0 | U14 | O | DDR | V _{DD18_DDR} | | | DDR Address Bus bit 00 |
| DDR_DQ15 | V6 | I/O | DDR | V _{DD18_DDR} | | | DDR Data Bus bit 15 |
| DDR_DQ14 | V7 | I/O | DDR | V _{DD18_DDR} | | | DDR Data Bus bit 14 |
| DDR_DQ13 | R7 | I/O | DDR | V _{DD18_DDR} | | | DDR Data Bus bit 13 |
| DDR_DQ12 | W7 | I/O | DDR | V _{DD18_DDR} | | | DDR Data Bus bit 12 |
| DDR_DQ11 | V8 | I/O | DDR | V _{DD18_DDR} | | | DDR Data Bus bit 11 |
| DDR_DQ10 | R8 | I/O | DDR | V _{DD18_DDR} | | | DDR Data Bus bit 10 |
| DDR_DQ9 | U8 | I/O | DDR | V _{DD18_DDR} | | | DDR Data Bus bit 09 |
| DDR_DQ8 | W8 | I/O | DDR | V _{DD18_DDR} | | | DDR Data Bus bit 08 |
| DDR_DQ7 | R9 | I/O | DDR | V _{DD18_DDR} | | | DDR Data Bus bit 07 |
| DDR_DQ6 | W9 | I/O | DDR | V _{DD18_DDR} | | | DDR Data Bus bit 06 |
| DDR_DQ5 | V9 | I/O | DDR | V _{DD18_DDR} | | | DDR Data Bus bit 05 |
| DDR_DQ4 | W10 | I/O | DDR | V _{DD18_DDR} | | | DDR Data Bus bit 04 |
| DDR_DQ3 | V10 | I/O | DDR | V _{DD18_DDR} | | | DDR Data Bus bit 03 |
| DDR_DQ2 | R10 | I/O | DDR | V _{DD18_DDR} | | | DDR Data Bus bit 02 |
| DDR_DQ1 | V11 | I/O | DDR | V _{DD18_DDR} | | | DDR Data Bus bit 01 |
| DDR_DQ0 | U11 | I/O | DDR | V _{DD18_DDR} | | | DDR Data Bus bit 00 |
| DDR_DQGATE0 | T8 | O | DDR | V _{DD18_DDR} | | | DDR: Loopback signal for external DQS gating. Route to DDR and back to DDR_DQGATE1 with same constraints as used for DDR clock and data. |
| DDR_DQGATE1 | T9 | I | DDR | V _{DD18_DDR} | | | DDR: Loopback signal for external DQS gating. Route to DDR and back to DDR_DQGATE0 with same constraints as used for DDR clock and data. |
| DDR_VREF | P11 | PWR | DDR | V _{DD18_DDR} | | | DDR: DDR_VREF is .5* V _{DD18_DDR} = 0.9V for SSTL2 specific reference voltage. |
| DDR_PADREFP | R11 | O | DDR | V _{DD18_DDR} | | | DDR: External resistor (50 ohm to ground) |
| EM_A13 / GIO78 / BTSEL[2] | V18 | I/O/Z | AEMIF / GIO / BTSEL[2] | V _{DD_AEMIF1_18_33} | IPU/IPD disabled by default | Input | Async EMIF: Address Bus bit[13] GIO: GIO[78] BTSEL[2]: See Section 3.2, Device Boot Modes for system usage of these pins. |
| EM_A12 / GIO77 / BTSEL[1] | U18 | I/O/Z | AEMIF / GIO / BTSEL[1] | V _{DD_AEMIF1_18_33} | IPU/IPD disabled by default | Input | Async EMIF: Address Bus bit[12] GIO: GIO[77] BTSEL[1]: See Section 3.2, Device Boot Modes for system usage of these pins. |
| EM_A11 / GIO76 / BTSEL[0] | V19 | I/O/Z | AEMIF / GIO / BTSEL[0] | V _{DD_AEMIF1_18_33} | IPU/IPD disabled by default | Input | Async EMIF: Address Bus bit[11] GIO: GIO[76] BTSEL[0]: See Section 3.2, Device Boot Modes for system usage of these pins. |

Table 2-5. Pin Descriptions (continued)

| Name | BGA ID | Type ⁽¹⁾ | Group | Power Supply ⁽²⁾ | IPU/IPD ⁽³⁾ | Reset State | Description ⁽⁴⁾ |
|---------------------------|--------|---------------------|-------------------------|------------------------------|-----------------------------|-------------|--|
| EM_A10 / GIO75 / AECFG[2] | U19 | I/O/Z | AEMIF / GIO / AECFG [2] | V _{DD_AEMIF1_18_33} | IPU/IPD disabled by default | Input | Async EMIF: Address Bus bit[10] GIO: GIO[75] AECFG[2]: See Section 3.2, Device Boot Modes and Table 3-14, AECFG (Async EMIF Configuration) for system usage of these pins. |
| EM_A9 / GIO74 / AECFG[1] | T18 | I/O/Z | AEMIF / GIO / AECFG [1] | V _{DD_AEMIF1_18_33} | IPU/IPD disabled by default | Input | Async EMIF: Address Bus bit[09] GIO: GIO[74] AECFG[1]: See Section 3.2, Device Boot Modes and Table 3-14, AECFG (Async EMIF Configuration) for system usage of these pins. |
| EM_A8 / GIO73 / AECFG[0] | T19 | I/O/Z | AEMIF / GIO / AECFG [0] | V _{DD_AEMIF1_18_33} | IPU/IPD disabled by default | Input | Async EMIF: Address Bus bit[08] GIO: GIO[73] AECFG[0]: See Section 3.2, Device Boot Modes and Table 3-14, AECFG (Async EMIF Configuration) for system usage of these pins. |
| EM_A7 / GIO72 / KEYA3 | T17 | I/O/Z | AEMIF / GIO / KEYSCAN | V _{DD_AEMIF1_18_33} | | Input | Async EMIF: Address Bus bit[07] GIO: GIO[72] Keyscan: A3 |
| EM_A6 / GIO71 / KEYA2 | R18 | I/O/Z | AEMIF / GIO / KEYSCAN | V _{DD_AEMIF1_18_33} | | Input | Async EMIF: Address Bus bit[06] GIO: GIO[71] Keyscan: A2 |
| EM_A5 / GIO70 / KEYA1 | R16 | I/O/Z | AEMIF / GIO / KEYSCAN | V _{DD_AEMIF1_18_33} | | Input | Async EMIF: Address Bus bit[05] GIO: GIO[70] Keyscan: A1 |
| EM_A4 / GIO69 / KEYA0 | R19 | I/O/Z | AEMIF / GIO/KEYSCAN | V _{DD_AEMIF1_18_33} | | Input | Async EMIF: Address Bus bit[04] GIO: GIO[69] Keyscan: A0 |
| EM_A3 / GIO68 / KEYB3 | R15 | I/O/Z | AEMIF / GIO/KEYSCAN | V _{DD_AEMIF1_18_33} | | Input | Async EMIF: Address Bus bit[03] GIO: GIO[68] Keyscan: B3 |

Table 2-5. Pin Descriptions (continued)

| Name | BGA ID | Type ⁽¹⁾ | Group | Power Supply ⁽²⁾ | IPU IPD ⁽³⁾ | Reset State | Description ⁽⁴⁾ |
|---------------------------------|--------|---------------------|-----------------------------|------------------------------|------------------------|-------------|--|
| EM_A2 / HCNTLA | M18 | I/O/Z | AEMIF / HPI | V _{DD_AEMIF2_18_33} | | Output | <p>Async EMIF: Address Bus bit[02]</p> <p>HPI: The state of HCNTLA and HCNTLB determines if address, data, or control information is being transmitted between an external host and the device. Note: HPI is pin multiplexed with Asynchronous EMIF at the output pin. HPI is available only when boot mode selected is HPI boot mode. In this configuration, the device will always act as a slave.</p> |
| EM_A1 / HHWIL | M19 | I/O/Z | AEMIF / HPI | V _{DD_AEMIF2_18_33} | | Output | <p>Async EMIF: Address Bus bit[01]</p> <p>HPI: This pin is half-word identification input HHWIL. Note: HPI is pin multiplexed with Asynchronous EMIF at the output pin. HPI is available only when boot mode selected is HPI boot mode. In this configuration, the device will always act as a slave.</p> |
| EM_A0 / GIO67 / KEYB2 / HCNTLB | L17 | I/O/Z | AEMIF / GIO / KEYSCAN / HPI | V _{DD_AEMIF2_18_33} | | Input | <p>Async EMIF: Address Bus bit[00] Note that the EM_A0 is always a 32-bit address</p> <p>GIO: GIO[56] Keyscan: B2</p> <p>HPI: The state of HCNTLA and HCNTLB determines if address, data, or control information is being transmitted between an external host and the device. Note: HPI is pin multiplexed with Asynchronous EMIF at the output pin. HPI is available only when boot mode selected is HPI boot mode. In this configuration, the device will always act as a slave.</p> |
| EM_BA1 / GIO66 / KEYB1 / HINTN | R17 | I/O/Z | AEMIF / GIO / KEYSCAN / HPI | V _{DD_AEMIF1_18_33} | | Input | <p>Async EMIF: Bank Address 1 signal = 16-bit address. In 16-bit mode, lowest address bit. In 8-bit mode, second lowest address bit</p> <p>GIO: GIO[66] Keyscan: B1</p> <p>HPI: This pin is host interrupt output $\overline{\text{HINT}}$ Note: HPI is pin multiplexed with Asynchronous EMIF at the output pin. HPI is available only when boot mode selected is HPI boot mode. In this configuration, the device will always act as a slave.</p> |
| EM_BA0 / EM_A14 / GIO65 / KEYB0 | P17 | I/O/Z | AEMIF / GIO / KEYSCAN | V _{DD_AEMIF1_18_33} | | Input | <p>Async EMIF: Bank Address 0 signal = 8-bit address. In 8-bit mode, lowest address bit.</p> <p>Async EMIF: Address line (bit[14] when using 16-bit memories. GIO: GIO[65] Keyscan: B0</p> |
| EM_D15 / GIO64 / HD15 | P18 | I/O/Z | AEMIF / GIO / HPI | V _{DD_AEMIF1_18_33} | | Input | <p>Async EMIF: Data Bus bit[15]</p> <p>GIO: GIO[64] HPI: Data bus bit [15] Note: HPI is pin multiplexed with Asynchronous EMIF at the output pin. HPI is available only when boot mode selected is HPI boot mode. In this configuration, the device will always act as a slave.</p> |

Table 2-5. Pin Descriptions (continued)

| Name | BGA ID | Type ⁽¹⁾ | Group | Power Supply ⁽²⁾ | IPU IPD ⁽³⁾ | Reset State | Description ⁽⁴⁾ |
|-----------------------|--------|---------------------|-------------------|------------------------------|------------------------|-------------|--|
| EM_D14 / GIO63 / HD14 | P16 | I/O/Z | AEMIF / GIO / HPI | V _{DD_AEMIF1_18_33} | | Input | <p>Async EMIF: Data Bus bit[14]</p> <p>GIO: GIO[63]</p> <p>HPI: Data bus bit [14]</p> <p>Note: HPI is pin multiplexed with Asynchronous EMIF at the output pin. HPI is available only when boot mode selected is HPI boot mode. In this configuration, the device will always act as a slave.</p> |
| EM_D13 / GIO62 / HD13 | P19 | I/O/Z | AEMIF / GIO / HPI | V _{DD_AEMIF1_18_33} | | Input | <p>Async EMIF: Data Bus bit[13]</p> <p>GIO: GIO[62]</p> <p>HPI: Data bus bit [13]</p> <p>Note: HPI is pin multiplexed with Asynchronous EMIF at the output pin. HPI is available only when boot mode selected is HPI boot mode. In this configuration, the device will always act as a slave.</p> |
| EM_D12 / GIO61 / HD12 | P15 | I/O/Z | AEMIF / GIO / HPI | V _{DD_AEMIF1_18_33} | | Input | <p>Async EMIF: Data Bus bit[12]</p> <p>GIO: GIO[61]</p> <p>HPI: Data bus bit [12]</p> <p>Note: HPI is pin multiplexed with Asynchronous EMIF at the output pin. HPI is available only when boot mode selected is HPI boot mode. In this configuration, the device will always act as a slave.</p> |
| EM_D11 / GIO60 / HD11 | N16 | I/O/Z | AEMIF / GIO / HPI | V _{DD_AEMIF1_18_33} | | Input | <p>Async EMIF: Data Bus bit[11]</p> <p>GIO: GIO[60]</p> <p>HPI: Data bus bit [11]</p> <p>Note: HPI is pin multiplexed with Asynchronous EMIF at the output pin. HPI is available only when boot mode selected is HPI boot mode. In this configuration, the device will always act as a slave.</p> |
| EM_D10 / GIO59 / HD10 | N18 | I/O/Z | AEMIF / GIO / HPI | V _{DD_AEMIF1_18_33} | | Input | <p>Async EMIF: Data Bus bit[10]</p> <p>GIO: GIO[59]</p> <p>HPI: Data bus bit [10]</p> <p>Note: HPI is pin multiplexed with Asynchronous EMIF at the output pin. HPI is available only when boot mode selected is HPI boot mode. In this configuration, the device will always act as a slave.</p> |
| EM_D9 / GIO58 / HD9 | N19 | I/O/Z | AEMIF / GIO / HPI | V _{DD_AEMIF1_18_33} | | Input | <p>Async EMIF: Data Bus bit[09]</p> <p>GIO: GIO[58]</p> <p>HPI: Data bus bit [9]</p> <p>Note: HPI is pin multiplexed with Asynchronous EMIF at the output pin. HPI is available only when boot mode selected is HPI boot mode. In this configuration, the device will always act as a slave.</p> |
| EM_D8 / GIO57 / HD8 | N15 | I/O/Z | AEMIF / GIO / HPI | V _{DD_AEMIF1_18_33} | | Input | <p>Async EMIF: Data Bus bit[08]</p> <p>GIO: GIO[57]</p> |

Table 2-5. Pin Descriptions (continued)

| Name | BGA ID | Type ⁽¹⁾ | Group | Power Supply ⁽²⁾ | IPU IPD ⁽³⁾ | Reset State | Description ⁽⁴⁾ |
|-------------|--------|---------------------|-------------|------------------------------|------------------------|-------------|--|
| | | | | | | | HPI: Data bus bit [8] Note: HPI is pin multiplexed with Asynchronous EMIF at the output pin. HPI is available only when boot mode selected is HPI boot mode. In this configuration, the device will always act as a slave. |
| EM_D7 / HD7 | L16 | I/O/Z | AEMIF / HPI | V _{DD_AEMIF2_18_33} | | Input | Async EMIF: Data Bus bit[07] HPI: Data bus bit [7] Note: HPI is pin multiplexed with Asynchronous EMIF at the output pin. HPI is available only when boot mode selected is HPI boot mode. In this configuration, the device will always act as a slave. |
| EM_D6 / HD6 | L18 | I/O/Z | AEMIF / HPI | V _{DD_AEMIF2_18_33} | | Input | Async EMIF: Data Bus bit[06] HPI: Data bus bit [6] Note: HPI is pin multiplexed with Asynchronous EMIF at the output pin. HPI is available only when boot mode selected is HPI boot mode. In this configuration, the device will always act as a slave. |
| EM_D5 / HD5 | L19 | I/O/Z | AEMIF / HPI | V _{DD_AEMIF2_18_33} | | Input | Async EMIF: Data Bus bit[05] HPI: Data bus bit [5] Note: HPI is pin multiplexed with Asynchronous EMIF at the output pin. HPI is available only when boot mode selected is HPI boot mode. In this configuration, the device will always act as a slave. |
| EM_D4 / HD4 | L15 | I/O/Z | AEMIF / HPI | V _{DD_AEMIF2_18_33} | | Input | Async EMIF: Data Bus bit[04] HPI: Data bus bit [4] Note: HPI is pin multiplexed with Asynchronous EMIF at the output pin. HPI is available only when boot mode selected is HPI boot mode. In this configuration, the device will always act as a slave. |
| EM_D3 / HD3 | K15 | I/O/Z | AEMIF / HPI | V _{DD_AEMIF2_18_33} | | Input | Async EMIF: Data Bus bit[03] HPI: Data bus bit [3] Note: HPI is pin multiplexed with Asynchronous EMIF at the output pin. HPI is available only when boot mode selected is HPI boot mode. In this configuration, the device will always act as a slave. |
| EM_D2 / HD2 | K19 | I/O/Z | AEMIF / HPI | V _{DD_AEMIF2_18_33} | | Input | Async EMIF: Data Bus bit[02] HPI: Data bus bit [2] Note: HPI is pin multiplexed with Asynchronous EMIF at the output pin. HPI is available only when boot mode selected is HPI boot mode. In this configuration, the device will always act as a slave. |
| EM_D1 / HD1 | K16 | I/O/Z | AEMIF / HPI | V _{DD_AEMIF2_18_33} | | Input | Async EMIF: Data Bus bit[01] HPI: Data bus bit [1] Note: HPI is pin multiplexed with Asynchronous EMIF at the output pin. HPI is available only when boot mode selected is HPI boot mode. In this configuration, the device will always act as a slave. |
| EM_D0 / HD0 | K18 | I/O/Z | AEMIF / HPI | V _{DD_AEMIF2_18_33} | | Input | Async EMIF: Data Bus bit[00] HPI: Data bus bit [0] Note: HPI is pin multiplexed with Asynchronous EMIF at the output pin. HPI is available only when boot mode selected is HPI boot mode. In this configuration, the device will always act as a slave. |

Table 2-5. Pin Descriptions (continued)

| Name | BGA ID | Type ⁽¹⁾ | Group | Power Supply ⁽²⁾ | IPU IPD ⁽³⁾ | Reset State | Description ⁽⁴⁾ |
|---|--------|---------------------|-------------------|------------------------------|------------------------|-------------|---|
| $\overline{\text{EM_CE}}[0]$ / GIO56 / HCS | M17 | I/O/Z | AEMIF / GIO / HPI | V _{DD_AEMIF1_18_33} | | Output | <p>Async EMIF: Lowest numbered Chip Select. Can be programmed to be used for standard asynchronous memories (example: flash), OneNand or NAND memory. Used for the default boot and ROM boot modes.</p> <p>GIO: GIO[56]</p> <p>HPI: this pin is HPI chip select input.</p> <p>Note: HPI is pin multiplexed with Asynchronous EMIF at the output pin. HPI is available only when boot mode selected is HPI boot mode. In this configuration, the device will always act as a slave.</p> |
| $\overline{\text{EM_CE}}[1]$ / GIO55 / HAS | J17 | I/O/Z | AEMIF / GIO / HPI | V _{DD_AEMIF2_18_33} | | Output | <p>Async EMIF: Second Chip Select., Can be programmed to be used for standard asynchronous memories (example: flash), OneNand or NAND memory.</p> <p>GIO: GIO[55]</p> <p>HPI: This pin is host address strobe.</p> <p>Note: HPI is pin multiplexed with Asynchronous EMIF at the output pin. HPI is available only when boot mode selected is HPI boot mode. In this configuration, the device will always act as a slave.</p> |
| $\overline{\text{EM_WE}}$ / GIO54 / HDS2 | J15 | I/O/Z | AEMIF / GIO / HPI | V _{DD_AEMIF2_18_33} | | Output | <p>Async EMIF: Write Enable</p> <p>GIO: GIO[54]</p> <p>HPI: This pin is host data strobe input 2.</p> <p>Note: HPI is pin multiplexed with Asynchronous EMIF at the output pin. HPI is available only when boot mode selected is HPI boot mode. In this configuration, the device will always act as a slave.</p> |
| $\overline{\text{EM_OE}}$ / GIO53 / HDS1 | J19 | I/O/Z | AEMIF / GIO / HPI | V _{DD_AEMIF2_18_33} | | Output | <p>Async EMIF: Output Enable</p> <p>GIO: GIO[53]</p> <p>HPI: This pin is host data strobe input 1.</p> |
| EM_WAIT / GIO52 / HRDY | J18 | I/O/Z | AEMIF / GIO / HPI | V _{DD_AEMIF2_18_33} | IPU | Input | <p>Async EMIF: Async WAIT</p> <p>GIO: GIO[52]</p> <p>HPI: This pin is host ready output from DSP to host.</p> |
| EM_ADV / GIO51 / HR/W | M16 | I/O/Z | AEMIF / GIO / HPI | V _{DD_AEMIF1_18_33} | | Output | <p>Async EMIF: Address Valid Detect for OneNAND interface</p> <p>GIO: GIO[51]</p> <p>HPI: This pin is host read or write select input.</p> |
| EM_CLK / GIO50 | M15 | I/O/Z | AEMIF / GIO | V _{DD_AEMIF1_18_33} | | Output | <p>Async EMIF: Clock signal for OneNAND flash interface</p> <p>GIO: GIO[50]</p> |
| GIO49 / McBSP_DX | D5 | I/O/Z | GIO / McBSP | V _{DDS33} | IPD | Input | <p>GIO: GIO[49]</p> <p>McBSP: Transmit Data</p> |
| GIO48 / McBSP_CLKX | A5 | I/O/Z | GIO / McBSP | V _{DDS33} | IPD | Input | <p>GIO: GIO[48]</p> <p>McBSP: Transmit Clock</p> |

Table 2-5. Pin Descriptions (continued)

| Name | BGA ID | Type ⁽¹⁾ | Group | Power Supply ⁽²⁾ | IPU IPD ⁽³⁾ | Reset State | Description ⁽⁴⁾ |
|--|--------|---------------------|---|-----------------------------|------------------------|-------------|---|
| GIO47 / McBSP_FSX | C6 | I/O/Z | GIO / McBSP | V _{DDS33} | IPD | Input | GIO: GIO[47] McBSP: Transmit Frame Sync |
| GIO46 / McBSP_DR | E6 | I/O/Z | GIO / McBSP | V _{DDS33} | IPD | Input | GIO: GIO[46] McBSP: Receive Data |
| GIO45 / McBSP_CLKR | B6 | I/O/Z | GIO / McBSP | V _{DDS33} | IPD | Input | GIO: GIO[45] McBSP: Receive Clock |
| GIO44 / McBSP_FSR | E7 | I/O/Z | GIO / McBSP | V _{DDS33} | IPD | Input | GIO: GIO[44] McBSP: Receive Frame Sync |
| GIO43 / MMCS D1 / EM_A20 | T6 | I/O/Z | GIO / MMCS D1 / AEMIF | V _{DDS33} | IPD | Input | GIO: GIO[43] MMCS D1: Clock Async EMIF: Address bit[20] |
| GIO42 / MMCS D1 / EM_A19 | R6 | I/O/Z | GIO / MMCS D1 / AEMIF | V _{DDS33} | IPD | Input | GIO: GIO[42] MMCS D1: Command Async EMIF: Address bit[19] |
| GIO41 / MMCS D1 / EM_A18 | W5 | I/O/Z | GIO / MMCS D1 / AEMIF | V _{DDS33} | IPD | Input | GIO: GIO[41] MMCS D1: DATA3 Async EMIF: Address bit[18] |
| GIO40 / MMCS D1 / EM_A17 | U5 | I/O/Z | GIO / MMCS D1 / AEMIF | V _{DDS33} | IPD | Input | GIO: GIO[40] MMCS D1: DATA2 Async EMIF: Address bit[17] |
| GIO39 / MMCS D1 / EM_A16 | R5 | I/O/Z | GIO / MMCS D1 / AEMIF | V _{DDS33} | IPD | Input | GIO: GIO[39] MMCS D1: DATA1 Async EMIF: Address bit[16] |
| GIO38 / MMCS D1 / EM_A15 | V5 | I/O/Z | GIO / MMCS D1 / AEMIF | V _{DDS33} | IPD | Input | GIO: GIO[38] MMCS D1: DATA0 Async EMIF: Address bit[15] |
| GIO37 / SPI4_SCS[0]/ McBSP_CLKS / CLKOUT0 | T5 | I/O/Z | GIO / SPI4 / McBSP / CLKOUT | V _{DDS33} | IPD | Input | GIO: GIO[37] SPI4: SPI4 Chip Select 0 |

Table 2-5. Pin Descriptions (continued)

| Name | BGA ID | Type ⁽¹⁾ | Group | Power Supply ⁽²⁾ | IPU IPD ⁽³⁾ | Reset State | Description ⁽⁴⁾ |
|--|--------|---------------------|---------------------------------|-----------------------------|------------------------|-------------|--|
| | | | | | | | McBSP: CLKS pin to source an external clock CLKOUT: Output Clock 0 |
| GIO36 / SPI4_SCLK / EM_A21 / EM_A14 | W4 | I/O/Z | GIO / SPI4 / AEMIF | V _{DDS33} | IPD | Input | GIO: GIO[36] SPI4: Clock Async EMIF: Address bit[21] Async EMIF: Address bit[14] |
| GIO35 / SPI4_SOMI / SPI4_SCS[1] / CLKOUT1 | W3 | I/O/Z | GIO / SPI4 /CLKO UT | V _{DDS33} | IPD | Input | GIO: GIO[35] SPI4: Slave Out Master In data SPI4: SPI4 Chip Select 1 CLKOUT: Output Clock 1 |
| GIO34 / SPI4_SIMO / SPI4_SOMI / UART1_RXD | V4 | I/O/Z | GIO / SPI4 / UART1 | V _{DDS33} | IPD | Input | GIO: GIO[34] SPI4: Slave In Master Out data SPI4: Slave Out Master In data. UART1: RXD |
| GIO33 / SPI2_SCS[0] / USBDRVVBUS / R1 | V3 | I/O/Z | GIO / SPI2 / USB /VENC | V _{DDS33} | IPD | Input | GIO: GIO[33] SPI3: SPI3 Chip Select 0 USB: USB: Digital output to control external 5 V supply VENC: Red output data bit 1 |
| GIO32 / SPI2_SCLK / R0 | W2 | I/O/Z | GIO / SPI2 / VENC | V _{DDS33} | IPD | Input | GIO: GIO[32] SPI2: Clock VENC: Red output data bit 0 |
| GIO31 / SPI2_SOMI / SPI2_SCS[1] / CLKOUT2 | U4 | I/O/Z | GIO / SPI2 / CLKO UT | V _{DDS33} | IPD | Input | GIO: GIO[31] SPI2: Slave Out Master In data SPI2: SPI2 Chip Select 1 CLKOUT: Output Clock 2 |
| GIO30 / SPI2_SIMO / G1 | T4 | I/O/Z | GIO / SPI2 / VENC | V _{DDS33} | IPD | Input | GIO: GIO[30] SPI2: Slave In Master Out data VENC: Green output data bit 1 |
| GIO29 / SPI1_SCS[0] / G0 | U2 | I/O/Z | GIO / SPI1 / VENC | V _{DDS33} | IPD | Input | GIO: GIO[29] SPI1: SPI1 Chip Select 0 VENC: Green output data bit 0 |

Table 2-5. Pin Descriptions (continued)

| Name | BGA ID | Type ⁽¹⁾ | Group | Power Supply ⁽²⁾ | IPU IPD ⁽³⁾ | Reset State | Description ⁽⁴⁾ |
|--|--------|---------------------|---------------------------|-----------------------------|------------------------|-------------|--|
| GIO28 / SPI1_SCLK / B1 | V1 | I/O/Z | GIO / SPI1 / VENC | V _{DDS33} | IPD | Input | GIO: GIO[28] SPI1: Clock VENC: Blue output data bit 1 |
| GIO27 / SPI1_SOMI / SPI1_SCS[1] / B0 | T2 | I/O/Z | GIO / SPI1 / VENC | V _{DDS33} | IPD | Input | GIO: GIO[27] SPI1: Slave Out Master In data SPI1: SPI1 Chip Select 1 VENC: Blue output data bit 1 |
| GIO26 / SPI1_SIMO | U1 | I/O/Z | GIO / SPI1 | V _{DDS33} | IPD | Input | GIO: GIO[26] SPI1: Slave In Master Out data |
| GIO25 / SPI0_SCS[0] / PWM1 / UART1_TXD | T1 | I/O/Z | GIO / SPI0 / PWM1 / UART1 | V _{DDS33} | IPD | Input | GIO: GIO[25] SPI0: SPI0 Chip Select 0 PWM1: Output UART1: Transmit data |
| GIO24 / SPI0_SCLK | T3 | I/O/Z | GIO / SPI0 | V _{DDS33} | IPD | Input | GIO: GIO[24] SPI0: Clock |
| GIO23 / SPI0_SOMI / SPI0_SCS[1] / PWM0 | V2 | I/O/Z | GIO / SPI0 / PWM0 | V _{DDS33} | IPD | Input | GIO: GIO[23] SPI0: Slave Out Master In data SPI0: SPI0 Chip Select 1 PWM0: Output |
| GIO22 / SPI0_SIMO | R2 | I/O/Z | GIO / SPI0 | V _{DDS33} | IPD | Input | GIO: GIO[22] SPI0: Slave In Master Out data |
| GIO21 / UART1_RTS / I2C_SDA | F3 | I/O/Z | GIO / UART1 / I2C | V _{DDS33} | IPD | Input | GIO: GIO[21] UART1: RTS I2C: Serial Data |
| GIO20 / UART1_CTS / I2C_SCL | F1 | I/O/Z | GIO / UART1 / I2C | V _{DDS33} | IPD | Input | GIO: GIO[20] UART1: CTS I2C: Serial Clock |
| GIO19 / UART0_RXD | E3 | I/O/Z | GIO / UART0 | V _{DDS33} | IPD | Input | GIO: GIO[19] UART0: Receive data |
| GIO18 / UART0_TXD | E2 | I/O/Z | GIO / UART0 | V _{DDS33} | IPD | Input | GIO: GIO[18] UART0: Transmit data |
| GIO17 / EMAC_TX_EN / UART1_RXD | E4 | I/O/Z | GIO / EMAC / UART1 | V _{DDS33} | IPD | Input | GIO: GIO[17] |

Table 2-5. Pin Descriptions (continued)

| Name | BGA ID | Type ⁽¹⁾ | Group | Power Supply ⁽²⁾ | IPU IPD ⁽³⁾ | Reset State | Description ⁽⁴⁾ |
|---------------------------------------|--------|---------------------|--------------------------|-----------------------------|------------------------|-------------|--|
| | | | | | | | EMAC: Transmit enable output UART1: Receive Data |
| GIO16 / EMAC_TX_CLK / UART1_TXD | E1 | I/O/Z | GIO / EMAC / UART1 | V _{DDS33} | IPD | Input | GIO: GIO[16] EMAC: Transmit clock UART1: Transmit Data |
| GIO15 / EMAC_COL | D2 | I/O/Z | GIO / EMAC | V _{DDS33} | IPD | Input | GIO: GIO[15] EMAC: Collision Detect input |
| GIO14 / EMAC_TXD3 | D1 | I/O/Z | GIO / EMAC | V _{DDS33} | IPD | Input | GIO: GIO[14] EMAC: Transmit Data 3 output |
| GIO13 / EMAC_TXD2 | D3 | I/O/Z | GIO / EMAC | V _{DDS33} | IPD | Input | GIO: GIO[13] EMAC: Transmit Data 2 output |
| GIO12 / EMAC_TXD1 | C1 | I/O/Z | GIO / EMAC | V _{DDS33} | IPD | Input | GIO: GIO[12] EMAC: Transmit Data 1 output |
| GIO11 / EMAC_TXD0 | B1 | I/O/Z | GIO / EMAC | V _{DDS33} | IPD | Input | GIO: GIO[11] EMAC: Transmit Data 0 output |
| GIO10 / EMAC_RXD3 | B2 | I/O/Z | GIO / EMAC | V _{DDS33} | IPD | Input | GIO: GIO[10] EMAC: Receive Data 3 output |
| GIO9 / EMAC_RXD2 | C2 | I/O/Z | GIO / EMAC | V _{DDS33} | IPD | Input | GIO: GIO[09] EMAC: Receive Data 2 output |
| GIO8 / EMAC_RXD1 | A2 | I/O/Z | GIO / EMAC | V _{DDS33} | IPD | Input | GIO: GIO[08] EMAC: Receive Data 1 output |
| GIO7 / EMAC_RXD0 | A3 | I/O/Z | GIO / EMAC | V _{DDS33} | IPD | Input | GIO: GIO[07] EMAC: Receive Data 0 output |
| GIO6 / EMAC_RX_CLK | B3 | I/O/Z | GIO / EMAC | V _{DDS33} | IPD | Input | GIO: GIO[06] EMAC: Receive clock |
| GIO5 / EMAC_RX_DV | B4 | I/O/Z | GIO / EMAC | V _{DDS33} | IPD | Input | GIO: GIO[05] EMAC: Receive data valid input |
| GIO4 / EMAC_RX_ER | A4 | I/O/Z | GIO / EMAC | V _{DDS33} | IPD | Input | GIO: GIO[04] EMAC: Receive error input |
| GIO3 / EMAC_CRS | C5 | I/O/Z | GIO / EMAC | V _{DDS33} | IPD | Input | GIO: GIO[03] EMAC: Carrier sense input |
| GIO2 / MDIO | C4 | I/O/Z | GIO / EMAC | V _{DDS33} | IPD | Input | GIO: GIO[02] EMAC: Management Data I/O |
| GIO1 / MDCLK | D6 | I/O/Z | GIO / EMAC | V _{DDS33} | IPD | Input | GIO: GIO[01] EMAC: Management Data clock output |

Table 2-5. Pin Descriptions (continued)

| Name | BGA ID | Type ⁽¹⁾ | Group | Power Supply ⁽²⁾ | IPU IPD ⁽³⁾ | Reset State | Description ⁽⁴⁾ |
|---------------------------|--------|---------------------|---------|-----------------------------|------------------------|-------------|---|
| GIO0 | B5 | I/O/Z | GIO | V _{DDS33} | IPD | Input | GIO: GIO[00] |
| USB_DP | N1 | A I/O | USBPH Y | V _{DDA33_USB} | | | USB D+ (differential signal pair) Note: If the USB peripheral is not used at all in the application, this pin should be connected to 3.3V . |
| USB_DM | P1 | A I/O | USBPH Y | V _{DDA33_USB} | | | USB D- (differential signal pair) Note: If the USB peripheral is not used at all in the application, this pin should be connected to V _{SS} . |
| V _{DDA33_USB} | P4 | PWR | | | | | 3.3-V USB analog power supply Note: If the USB peripheral is not used at all in the application, this pin should be connected to 3.3V. |
| V _{SSA33_USB} | P3 | GND | | | | | 3.3-V USB ground Note: If the USB peripheral is not used at all in the application, this pin should be connected to V _{SS} . |
| V _{DDA12LDO_USB} | M5 | PWR | | | | Output | For proper device operation, even if the USB peripheral is not used, a 0.22μF capacitor must be connected as close as possible to the package, and the capacitor must be connected to V _{SSA} . |
| V _{DDA18_USB} | N5 | PWR | | | | | 1.8-V USB analog power supply Note: If the USB peripheral is not used at all in the application, this pin should be connected to 1.8V. |
| V _{SSA18_USB} | P2 | GND | | | | | 1.8-V USB ground Note: If the USB peripheral is not used at all in the application, this pin should be connected to V _{SS} . |
| USB_ID | M1 | A I | USBPH Y | V _{DDA33_USB} | | | USB operating mode identification pin. For device mode operation only, pull up this pin to V _{DD} with a 1.5K ohm resistor. For host mode operation only, pull down this pin to ground (V _{SS}) with a 1.5K ohm resistor. If using an OTG or mini-USB connector, this pin will be set properly via the cable/connector configuration. Note: If the USB peripheral is not used at all in the application, this pin should be connected to 3.3V. |
| USB_VBUS | N2 | A I/O | USBPH Y | USB_VBUS | | | This pin is used by the USB Controller to detect a presence of 5V power (4.4V is the threshold) on the USB_VBUS line for normal operation. This power is sourced by the USB Component that is assuming the role of a Host. In other words, the power on the USB_VBUS line is not sourced by the Device. From DM368 perspective, when operating as a Host, it ensures that the external power supply that the DM368 has sourced is within the required voltage level (>= 4.4V) and when DM368 is operating as a Device, the presence of a 5V power on the VBUS Line is used to signify the presence of an external Host. Note 1: When the DM368 is operating as a Device, it uses the power on the USB_VBUS line to power up its internal pull-up resistor on the D+ line. Note2: If the USB peripheral is not used at all in the application, this pin should be connected to V _{SS} . |
| MMCS0_CLK | J16 | O | MMCS D0 | V _{DDS33} | | out | MMCS0: Clock |
| MMCS0_CMD | H15 | I/O/Z | MMCS D0 | V _{DDS33} | | Input | MMCS0: Command |
| MMCS0_DATA3 | H16 | I/O/Z | MMCS D0 | V _{DDS33} | | Input | MMCS0: DATA3 |

Table 2-5. Pin Descriptions (continued)

| Name | BGA ID | Type ⁽¹⁾ | Group | Power Supply ⁽²⁾ | IPU IPD ⁽³⁾ | Reset State | Description ⁽⁴⁾ |
|-----------------------|--------|---------------------|---------|--|------------------------|-------------|---|
| MMCS0_DATA2 | H17 | I/O/Z | MMCS D0 | V _{DD} S33 | | Input | MMCS0: DATA2 |
| MMCS0_DATA1 | H19 | I/O/Z | MMCS D0 | V _{DD} S33 | | Input | MMCS0: DATA1 |
| MMCS0_DATA0 | H18 | I/O/Z | MMCS D0 | V _{DD} S33 | | Input | MMCS0: DATA0 |
| MICIP | B8 | AI | VCODE C | V _{DDA33_VC} or V _{DDA18_VC} | | | MIC positive input Note: If the Voice Codec peripheral is not used, this pin must be tied directly to V _{SS} for proper device operation. |
| MICIN | C8 | AI | VCODE C | V _{DDA33_VC} or V _{DDA18_VC} | | | MIC negative input Note: If the Voice Codec peripheral is not used, this pin must be tied directly to V _{SS} for proper device operation. |
| LINEO | C9 | AO | VCODE C | V _{DDA33_VC} or V _{DDA18_VC} | | | Line driver output Note: If the Voice Codec peripheral is not used, this pin can be left open or can be connected directly to V _{SS} for proper device operation. |
| SPP | B9 | AO | VCODE C | V _{DDA33_VC} or V _{DDA18_VC} | | | Speaker amplifier positive output Note: If the Voice Codec peripheral is not used, this pin can be left open or can be connected directly to V _{SS} for proper device operation. |
| SPN | A9 | AO | VCODE C | V _{DDA33_VC} or V _{DDA18_VC} | | | Speaker amplifier negative output Note: If the Voice Codec peripheral is not used, this pin can be left open or can be connected directly to V _{SS} for proper device operation. |
| VCOM | A8 | AO | VCODE C | V _{DDA33_VC} or V _{DDA18_VC} | | | Analog block common voltage. It is recommended that a 10µF capacitor be connected between this pin and ground to provide clean voltage. Note: If the Voice Codec peripheral is not used, this pin must be tied directly to V _{SS} for proper device operation. |
| V _{DDA18_VC} | E9 | PWR | | | | | 1.8-V Voice Codec module analog power supply Note: If the Voice Codec peripheral is not used, this pin must be tied directly to V _{SS} for proper device operation. |
| V _{SSA18_VC} | F9 | GND | | | | | 1.8-V Voice Codec module ground Note: If the Voice Codec peripheral is not used, this pin must be tied directly to V _{SS} for proper device operation. |
| V _{DDA33_VC} | E10 | PWR | | | | | 3.3-V Voice Codec module power supply Note: If the Voice Codec peripheral is not used, this pin must be tied directly to V _{SS} for proper device operation. |
| V _{SSA33_VC} | D9 | GND | | | | | 3.3-V Voice Codec module ground Note: If the Voice Codec peripheral is not used, this pin must be tied directly to V _{SS} for proper device operation. |

Table 2-5. Pin Descriptions (continued)

| Name | BGA ID | Type ⁽¹⁾ | Group | Power Supply ⁽²⁾ | IPU IPD ⁽³⁾ | Reset State | Description ⁽⁴⁾ |
|------------------------|--------|---------------------|--------|-----------------------------|------------------------|-------------|---|
| ADC_CH0 | E8 | AI | ADC | V _{DDA18_ADC} | | | Analog-to-Digital converter channel 0 Note: If the ADC is not used, it is recommended to either leave this pin open, as no connect, or tie this pin along with the other ADC_CHs together to a single resistor to ground. |
| ADC_CH1 | B7 | AI | ADC | V _{DDA18_ADC} | | | Analog-to-Digital converter channel 1 Note: If the ADC is not used, it is recommended to either leave this pin open, as no connect, or tie this pin along with the other ADC_CHs together to a single resistor to ground. |
| ADC_CH2 | A7 | AI | ADC | V _{DDA18_ADC} | | | Analog-to-Digital converter channel Note: If the ADC is not used, it is recommended to either leave this pin open, as no connect, or tie this pin along with the other ADC_CHs together to a single resistor to ground. |
| ADC_CH3 | D8 | AI | ADC | V _{DDA18_ADC} | | | Analog-to-Digital converter channel 3 Note: If the ADC is not used, it is recommended to either leave this pin open, as no connect, or tie this pin along with the other ADC_CHs together to a single resistor to ground. |
| ADC_CH4 | D7 | AI | ADC | V _{DDA18_ADC} | | | Analog-to-Digital converter channel 4 Note: If the ADC is not used, it is recommended to either leave this pin open, as no connect, or tie this pin along with the other ADC_CHs together to a single resistor to ground. |
| ADC_CH5 | A6 | AI | ADC | V _{DDA18_ADC} | | | Analog-to-Digital converter channel 5 Note: If the ADC is not used, it is recommended to either leave this pin open, as no connect, or tie this pin along with the other ADC_CHs together to a single resistor to ground. |
| V _{DDA18_ADC} | G9 | PWR | | | | | 1.8- V Analog-to-Digital converter analog power supply Note: If the ADC is not used at all in an application, this pin can be directly connected to the 1.8-V supply without any filtering or to ground. |
| V _{SSA_ADC} | F8 | GND | | | | | 1.8- V Analog-to-Digital converter ground |
| PWCTRIO0 | J3 | I/O/Z | PRTCSS | V _{DD18_PRTCSS} | | Input | PRTCSS: General Input / Output Signal 0 For more pin termination details, see Section 6.7 , <i>Power Management and Real Time Clock Subsystem (PRTCSS)</i> . |
| PWCTRIO1 | J2 | I/O/Z | PRTCSS | V _{DD18_PRTCSS} | | Input | PRTCSS: General Input / Output Signal 1 For more pin termination details, see Section 6.7 , <i>Power Management and Real Time Clock Subsystem (PRTCSS)</i> . |
| PWCTRIO2 | J1 | I/O/Z | PRTCSS | V _{DD18_PRTCSS} | | Input | PRTCSS: General Input / Output Signal 2 For more pin termination details, see Section 6.7 , <i>Power Management and Real Time Clock Subsystem (PRTCSS)</i> . |
| PWCTRIO3 | J5 | I/O/Z | PRTCSS | V _{DD18_PRTCSS} | | Input | PRTCSS: General Input / Output Signal 3 For more pin termination details, see Section 6.7 , <i>Power Management and Real Time Clock Subsystem (PRTCSS)</i> . |
| PWCTRIO4 | J4 | I/O/Z | PRTCSS | V _{DD18_PRTCSS} | | Input | PRTCSS: General Input / Output Signal 4 For more pin termination details, see Section 6.7 , <i>Power Management and Real Time Clock Subsystem (PRTCSS)</i> . |

Table 2-5. Pin Descriptions (continued)

| Name | BGA ID | Type ⁽¹⁾ | Group | Power Supply ⁽²⁾ | IPU IPD ⁽³⁾ | Reset State | Description ⁽⁴⁾ |
|---------------------------|--------|---------------------|-----------|-----------------------------|------------------------|-------------|---|
| PWCTRIO5 | K5 | I/O/Z | PRTCSS | V _{DD18_PRTCSS} | | Input | PRTCSS: General Input / Output Signal 5 For more pin termination details, see Section 6.7, Power Management and Real Time Clock Subsystem (PRTCSS) . |
| PWCTRIO6 | K4 | I/O/Z | PRTCSS | V _{DD18_PRTCSS} | | Input | PRTCSS: General Input / Output Signal 6 For more pin termination details, see Section 6.7, Power Management and Real Time Clock Subsystem (PRTCSS) . |
| PWCTRO0 | K2 | O | PRTCSS | V _{DD18_PRTCSS} | | Output | PRTCSS: General Output Signal 0 For more pin termination details, see Section 6.7, Power Management and Real Time Clock Subsystem (PRTCSS) . |
| PWCTRO1 | L5 | O | PRTCSS | V _{DD18_PRTCSS} | | Output | PRTCSS: General Output Signal 1 For more pin termination details, see Section 6.7, Power Management and Real Time Clock Subsystem (PRTCSS) . |
| PWCTRO2 | L4 | I/O/Z | PRTCSS | V _{DD18_PRTCSS} | | Output | PRTCSS: General Output Signal 2 For more pin termination details, see Section 6.7, Power Management and Real Time Clock Subsystem (PRTCSS) . |
| PWCTRO3 | L3 | O | PRTCSS | V _{DD18_PRTCSS} | | Output | PRTCSS: General Output Signal 3 For more pin termination details, see Section 6.7, Power Management and Real Time Clock Subsystem (PRTCSS) . |
| RTCXI | G1 | I | PRTCSS | V _{DD12_PRTCSS} | | Input | PRTCSS: Crystal Input for PRTCSS oscillator Note: If the RTC calendar is not used, this pin should be pulled down. For more pin termination details, see Section 6.7, Power Management and Real Time Clock Subsystem (PRTCSS) . |
| RTCXO | H1 | O | PRTCSS | V _{DD12_PRTCSS} | | Output | PRTCSS: Crystal Output for PRTCSS oscillator Note: If the RTC calendar is not used, this pin should be left unconnected. For more pin termination details, see Section 6.7, Power Management and Real Time Clock Subsystem (PRTCSS) . |
| PWRST | M3 | I | PRTCSS | V _{DD12_PRTCSS} | | Input | PRTCSS: Reset signal for PRTCSS For more pin termination details, see Section 6.7, Power Management and Real Time Clock Subsystem (PRTCSS) . |
| PWRCNTON | M2 | I | PRTCSS | V _{DD12_PRTCSS} | | Input | PRTCSS: Reset pin for system power sequencing For more pin details, see Section 6.7 . |
| $\overline{\text{RESET}}$ | H3 | I | | V _{DDs33} | | Input | Global chip reset |
| MXI1 | L1 | I | CLOCK S | V _{DDMX1} | | Input | Crystal input for system oscillator Note: If an external oscillator is to be used, the external oscillator clock signal should be connected to the MXI1 pin with a 1.8V amplitude. The MXO1 should be left unconnected and the VSS_MX1 signal should be connected to board ground (V _{ss}). |
| MXO1 | K1 | O | CLOCK S | V _{DDMX1} | | Output | Output for system oscillator Note: If an external oscillator is to be used, the external oscillator clock signal should be connected to the MXI1 pin with a 1.8V amplitude. The MXO1 should be left unconnected and the VSS_MX1 signal should be connected to board ground (V _{ss}). |
| TCK | F4 | I | EMULATION | V _{DDs33} | IPU | Input | JTAG test clock input |
| TDI | F5 | I | EMULATION | V _{DDs33} | IPU | Input | JTAG test data input |
| TDO | G4 | O | EMULATION | V _{DDs33} | | Output | JTAG test data output |

Table 2-5. Pin Descriptions (continued)

| Name | BGA ID | Type ⁽¹⁾ | Group | Power Supply ⁽²⁾ | IPU IPD ⁽³⁾ | Reset State | Description ⁽⁴⁾ |
|--------------------------|--------|---------------------|-----------|-----------------------------|------------------------|-------------|--|
| TMS | G2 | I | EMULATION | V _{DDS33} | IPU | Input | JTAG test mode select |
| TRST | H5 | I | EMULATION | V _{DDS33} | IPD | Input | JTAG test logic reset |
| RTCK | F2 | O | EMULATION | V _{DDS33} | | Output | JTAG test clock output |
| EMU0 | G5 | I/O | EMULATION | V _{DDS33} | IPU | Input | JTAG emulation 0 I/O |
| EMU1 | H4 | I/O | EMULATION | V _{DDS33} | IPU | Input | JTAG emulation 1 I/O EMU[1:0] = 00 - Force Debug Scan chain (ARM and ARM ETB TAPs connected) EMU[1:0] = 11 - Normal Scan chain (ICEpick only) |
| RSV2 | R4 | I | | | | | For proper device operation, this pin must be tied to ground. |
| RSV1 | R1 | O | | | | | For proper device operation, this pin must be left unconnected. |
| RSV0 | A1 | O | | | | | For proper device operation, this pin must be left unconnected. |
| CV _{DD} | G6 | PWR | | | | | Core power (1.35-V). |
| | G8 | | | | | | |
| | H7 | | | | | | |
| | H8 | | | | | | |
| | H12 | | | | | | |
| | J8 | | | | | | |
| | J12 | | | | | | |
| | J14 | | | | | | |
| | K8 | | | | | | |
| | K12 | | | | | | |
| | L13 | | | | | | |
| | M6 | | | | | | |
| | M10 | | | | | | |
| | M12 | | | | | | |
| M13 | | | | | | | |
| V _{DD12_PRTCSS} | J6 | PWR | | | | | Power supply for RTC oscillator, PRTCSS, and PRTCSS I/O (1.35-V). |
| | K7 | | | | | | |
| V _{DDA18_PLL} | N4 | PWR | | | | | Analog power for PLL (1.8 V). |
| V _{DDRAM} | D4 | O | | | | Output | For proper device operation, this pin must be connected to a 1.0uF (6.2V) capacitor, and the other end of the capacitor must be connected to V _{SS} . Note: this pin is an internal power supply pin and should not be connected to any external power supply." |
| V _{DDS18} | G14 | PWR | | | | | Power supply for 1.8-V I/O. |
| | H11 | | | | | | |
| | H14 | | | | | | |
| | J7 | | | | | | |
| | M14 | | | | | | |
| P7 | | | | | | | |
| V _{DD18_PRTCSS} | K6 | PWR | | | | | Power supply for PRTCSS (1.8 V). |
| V _{DDMXI} | L6 | PWR | | | | | Power supply for PLL oscillator (1.8 V). |

Table 2-5. Pin Descriptions (continued)

| Name | BGA ID | Type ⁽¹⁾ | Group | Power Supply ⁽²⁾ | IPU IPD ⁽³⁾ | Reset State | Description ⁽⁴⁾ |
|------------------------------|--------|---------------------|-------|-----------------------------|------------------------|-------------|---|
| V _{DD18_SLDO} | E5 | PWR | | | | | Power supply for internal RAM. For proper device operation, this pin must always be connected to V _{DDS18} . |
| V _{DD18_DDR} | N9 | PWR | | | | | Power supply for DDR (1.8 V). |
| | N11 | | | | | | |
| | P9 | | | | | | |
| | P10 | | | | | | |
| | P12 | | | | | | |
| | R12 | | | | | | |
| V _{DDS33} | F10 | PWR | | | | | Power supply for 3.3-V I/O. |
| | F6 | | | | | | |
| | F7 | | | | | | |
| | H6 | | | | | | |
| | H13 | | | | | | |
| | L12 | | | | | | |
| | N6 | | | | | | |
| | P5 | | | | | | |
| | P6 | | | | | | |
| V _{DD_AEMIF1_18_33} | P14 | PWR | | | | | Power supply for switchable AEMIF (3.3/1.8 V). V _{DD_AEMIF1_18_33} : can be used as a power supply for EM_A[3:13], EM_BA0, EM_BA1, EM_CE[0], EM_ADV, EM_CLK, EM_D[8:15] or as GPIO pins. See AEMIF pin descriptions. |
| | R14 | | | | | | |
| V _{DD_AEMIF2_18_33} | K14 | PWR | | | | | V _{DD_AEMIF2_18_33} : can be used as a power supply for EM_A[0:2], EM_CE[1], EM_WE, EM_OE, EM_WAIT, EM_D[0:7] pins, HPI, or GPIO pins. See AEMIF pin descriptions. Example 1: V _{DD_AEMIF2_18_33} at 1.8-V for 8-bit NAND V _{DD_AEMIF1_18_33} at 3.3-V for GPIO. Example 2: V _{DD_AEMIF1_18_33} and V _{DD_AEMIF2_18_33} at 1.8-V for 16-bit NAND. |
| | L14 | | | | | | |
| V _{DD_ISIF18_33} | F12 | PWR | | | | | Power supply for switchable ISIF (3.3/1.8 V). Example 1 V _{DD_ISIF_18_33} power supply can be at 1.8V for VPFE pin functionality or it can be at 3.3V if other peripherals pin functionality is to be used like SPI3 or GPIO or CLKOUT0, or USBDRVVBUS. |
| | F13 | PWR | | | | | |
| V _{PP} | R3 | PWR | | | | | For proper device operation, this pin must always be connected to CV _{DD} . |

Table 2-5. Pin Descriptions (continued)

| Name | BGA ID | Type ⁽¹⁾ | Group | Power Supply ⁽²⁾ | IPU IPD ⁽³⁾ | Reset State | Description ⁽⁴⁾ |
|---------------------|--------|---------------------|-------|-----------------------------|------------------------|-------------|--|
| V _{SS} | A19 | GND | | | | | Digital ground |
| | E14 | | | | | | |
| | F14 | | | | | | |
| | G11 | | | | | | |
| | G12 | | | | | | |
| | H9 | | | | | | |
| | H10 | | | | | | |
| | J9 | | | | | | |
| | J10 | | | | | | |
| | J11 | | | | | | |
| | J13 | | | | | | |
| | K9 | | | | | | |
| | K10 | | | | | | |
| | K11 | | | | | | |
| | L7 | | | | | | |
| | L8 | | | | | | |
| | L9 | | | | | | |
| | L10 | | | | | | |
| | L11 | | | | | | |
| | M7 | | | | | | |
| | M8 | | | | | | |
| | M9 | | | | | | |
| | M11 | | | | | | |
| N8 | | | | | | | |
| N12 | | | | | | | |
| N14 | | | | | | | |
| P8 | | | | | | | |
| P13 | | | | | | | |
| W1 | | | | | | | |
| W19 | | | | | | | |
| V _{SS_MX1} | L2 | GND | | | | | System oscillator - ground Note: Note: If an external oscillator is used, this pin must be connected to board ground (V _{SS}). |
| V _{SS_32K} | H2 | GND | | | | | PRTCSS oscillator - ground |
| V _{SSA} | M4 | GND | | | | | Analog ground |

2.9 Device Support

2.9.1 Development Tools

TI offers an extensive line of development tools for device systems, including tools to evaluate the performance of the processors, generate code, develop algorithm implementations, and fully integrate and debug software and hardware modules. The tools support documentation is electronically available within the Code Composer Studio™ Integrated Development Environment (IDE).

The following products support development of device based applications:

Software Development Tools:

Code Composer Studio™ Integrated Development Environment (IDE): including Editor

C/C++/Assembly Code Generation, and Debug plus additional development tools

Hardware Development Tools:

Extended Development System (XDS™) Emulator (supports TMS320DM368 DMSoC multiprocessor system debug) EVM (Evaluation Module)

For a complete listing of development-support tools for the TMS320DM368 DMSoC platform, visit the Texas Instruments web site on the Worldwide Web at www.ti.com. For information on pricing and availability, contact the nearest TI field sales office or authorized distributor.

2.9.2 Device Nomenclature

To designate the stages in the product development cycle, TI assigns prefixes to the part numbers of all DSP devices and support tools. Each DSP commercial family member has one of three prefixes: TMX, TMP, or TMS (e.g.,). Texas Instruments recommends two of three possible prefix designators for its support tools: TMDX and TMDS. These prefixes represent evolutionary stages of product development from engineering prototypes (TMX/TMDX) through fully qualified production devices/tools (TMS/TMDS).

Device development evolutionary flow:

| | |
|------------|---|
| TMX | Experimental device that is not necessarily representative of the final device's electrical specifications. |
| TMP | Final silicon die that conforms to the device's electrical specifications but has not completed quality and reliability verification. |
| TMS | Fully-qualified production device. |

Support tool development evolutionary flow:

| | |
|-------------|--|
| TMDX | Development-support product that has not yet completed Texas Instruments internal qualification testing. |
| TMDS | Fully qualified development-support product. |

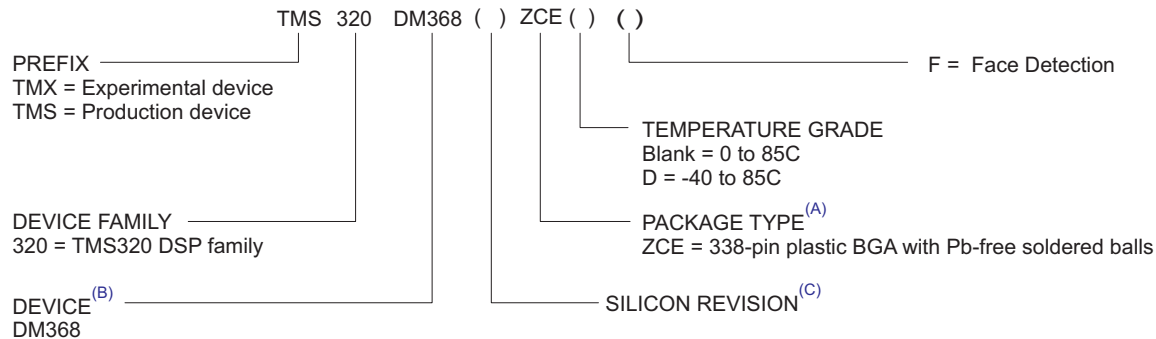
TMX and TMP devices and TMDX development-support tools are shipped against the following disclaimer:

"Developmental product is intended for internal evaluation purposes."

TMS devices and TMDS development-support tools have been characterized fully, and the quality and reliability of the device have been demonstrated fully. TI's standard warranty applies.

Predictions show that prototype devices (TMX or TMP) have a greater failure rate than the standard production devices. Texas Instruments recommends that these devices not be used in any production system because their expected end-use failure rate is undefined. Only qualified production devices are to be used in production.

TI device nomenclature also includes a suffix with the device family name. This suffix indicates the package type (for example, ZCE), the temperature range (for example, "Blank" is the commercial temperature range), and the device speed range in megahertz (for example, 202 is 202.5 MHz). The following figure provides a legend for reading the complete device name for any TMS320DM368 DMSoC platform member.



- A. BGA = Ball Grid Array
- B. For actual device part numbers (P/Ns) and ordering information, contact your nearest TI Sales Representative.
- C. For more information on silicon revision, see the *TMS320DM368 Silicon Errata* (literature number SPRZ316).

Figure 2-6. Device Nomenclature

2.9.3 Related Documentation From Texas Instruments

The following documents describe the TMS320DM36x Digital Media System-on-Chip (DMSoC). Copies of these documents are available on the internet at www.ti.com.

- [SPRZ315](#) **TMS320DM368 DMSoC Silicon Errata** Describes the known exceptions to the functional specifications for the TMS320DM368 DMSoC.
- [SPRUFG5](#) **TMS320DM36x Digital Media System-on-Chip (DMSoC) ARM Subsystem Users Guide.** This document describes the ARM Subsystem in the TMS320DM36x Digital Media System-on-Chip (DMSoC). The ARM subsystem is designed to give the ARM926EJ-S (ARM9) master control of the device. In general, the ARM is responsible for configuration and control of the device; including the components of the ARM Subsystem, the peripherals, and the external memories.
- [SPRUFG8](#) **TMS320DM36x Digital Media System-on-Chip (DMSoC) Video Processing Front End (VPFE) Users Guide.** This document describes the Video Processing Front End (VPFE) in the TMS320DM36x Digital Media System-on-Chip (DMSoC).
- [SPRUFG9](#) **TMS320DM36x Digital Media System-on-Chip (DMSoC) Video Processing Back End (VPBE) Users Guide.** This document describes the Video Processing Back End (VPBE) in the TMS320DM36x Digital Media System-on-Chip (DMSoC).
- [SPRUFH0](#) **TMS320DM36x Digital Media System-on-Chip (DMSoC) 64-bit Timer Users Guide.** This document describes the operation of the software-programmable 64-bit timers in the TMS320DM36x Digital Media System-on-Chip (DMSoC).
- [SPRUFH1](#) **TMS320DM36x Digital Media System-on-Chip (DMSoC) Serial Peripheral Interface (SPI) Users Guide.** This document describes the serial peripheral interface (SPI) in the TMS320DM36x Digital Media System-on-Chip (DMSoC). The SPI is a high-speed synchronous serial input/output port that allows a serial bit stream of programmed length (1 to 16 bits) to be shifted into and out of the device at a programmed bit-transfer rate. The SPI is normally used for communication between the DMSoC and external peripherals. Typical applications include an interface to external I/O or peripheral expansion via devices such as

shift registers, display drivers, SPI EPROMs and analog-to-digital converters.

- [SPRUHF2](#) ***TMS320DM36x Digital Media System-on-Chip (DMSoC) Universal Asynchronous Receiver/Transmitter (UART) Users Guide.*** This document describes the universal asynchronous receiver/transmitter (UART) peripheral in the TMS320DM36x Digital Media System-on-Chip (DMSoC). The UART peripheral performs serial-to-parallel conversion on data received from a peripheral device, and parallel-to-serial conversion on data received from the CPU.
- [SPRUFH3](#) ***TMS320DM36x Digital Media System-on-Chip (DMSoC) Inter-Integrated Circuit (I2C) Peripheral Users Guide.*** This document describes the inter-integrated circuit (I2C) peripheral in the TMS320DM36x Digital Media System-on-Chip (DMSoC). The I2C peripheral provides an interface between the DMSoC and other devices compliant with the I2C-bus specification and connected by way of an I2C-bus.
- [SPRUFH5](#) ***TMS320DM36x Digital Media System-on-Chip (DMSoC) Multimedia Card (MMC)/Secure Digital (SD) Card Controller Users Guide.*** This document describes the multimedia card (MMC)/secure digital (SD) card controller in the TMS320DM36x Digital Media System-on-Chip (DMSoC).
- [SPRUFH6](#) ***TMS320DM36x Digital Media System-on-Chip (DMSoC) Pulse-Width Modulator (PWM) Users Guide.*** This document describes the pulse-width modulator (PWM) peripheral in the TMS320DM36x Digital Media System-on-Chip (DMSoC).
- [SPRUFH7](#) ***TMS320DM36x Digital Media System-on-Chip (DMSoC) Real-Time Out (RTO) Controller Users Guide.*** This document describes the Real Time Out (RTO) controller in the TMS320DM36x Digital Media System-on-Chip (DMSoC).
- [SPRUFH8](#) ***TMS320DM36x Digital Media System-on-Chip (DMSoC) General-Purpose Input/Output (GPIO) Users Guide.*** This document describes the general-purpose input/output (GPIO) peripheral in the TMS320DM36x Digital Media System-on-Chip (DMSoC). The GPIO peripheral provides dedicated general-purpose pins that can be configured as either inputs or outputs.
- [SPRUFH9](#) ***TMS320DM36x Digital Media System-on-Chip (DMSoC) Universal Serial Bus (USB) Controller Users Guide.*** This document describes the universal serial bus (USB) controller in the TMS320DM36x Digital Media System-on-Chip (DMSoC). The USB controller supports data throughput rates up to 480 Mbps. It provides a mechanism for data transfer between USB devices and also supports host negotiation.
- [SPRUFI0](#) ***TMS320DM36x Digital Media System-on-Chip (DMSoC) Enhanced Direct Memory Access (EDMA) Controller Users Guide.*** This document describes the operation of the enhanced direct memory access (EDMA3) controller in the TMS320DM36x Digital Media System-on-Chip (DMSoC). The EDMA controller's primary purpose is to service user-programmed data transfers between two memory-mapped slave endpoints on the DMSoC.
- [SPRUFI1](#) ***TMS320DM36x Digital Media System-on-Chip (DMSoC) Asynchronous External Memory Interface (EMIF) Users Guide.*** This document describes the asynchronous external memory interface (EMIF) in the TMS320DM36x Digital Media System-on-Chip (DMSoC). The EMIF supports a glueless interface to a variety of external devices.
- [SPRUFI2](#) ***TMS320DM36x Digital Media System-on-Chip (DMSoC) DDR2/Mobile DDR (DDR2/mDDR) Memory Controller Users Guide.*** This document describes the DDR2/mDDR memory controller in the TMS320DM36x Digital Media System-on-Chip (DMSoC). The DDR2/mDDR memory controller is used to interface with JESD79D-2A standard compliant DDR2 SDRAM and mobile DDR devices.
- [SPRUFI3](#) ***TMS320DM36x Digital Media System-on-Chip (DMSoC) Multibuffered Serial Port Interface (McBSP) User's Guide.*** This document describes the operation of the

multibuffered serial host port interface in the TMS320DM36x Digital Media System-on-Chip (DMSoC). The primary audio modes that are supported by the McBSP are the AC97 and IIS modes. In addition to the primary audio modes, the McBSP supports general serial port receive and transmit operation.

- [SPRUFI4](#) ***TMS320DM36x Digital Media System-on-Chip (DMSoC) Universal Host Port Interface (UHPI) User's Guide.*** This document describes the operation of the universal host port interface in the TMS320DM36x Digital Media System-on-Chip (DMSoC).
- [SPRUFI5](#) ***TMS320DM36x Digital Media System-on-Chip (DMSoC) Ethernet Media Access Controller (EMAC) User's Guide.*** This document describes the operation of the ethernet media access controller interface in the TMS320DM36x Digital Media System-on-Chip (DMSoC).
- [SPRUFI7](#) ***TMS320DM36x Digital Media System-on-Chip (DMSoC) Analog to Digital Converter (ADC) User's Guide.*** This document describes the operation of the analog to digital conversion in the TMS320DM36x Digital Media System-on-Chip (DMSoC).
- [SPRUFI8](#) ***TMS320DM36x Digital Media System-on-Chip (DMSoC) Key Scan User's Guide.*** This document describes the key scan peripheral in the TMS320DM36x Digital Media System-on-Chip (DMSoC).
- [SPRUFI9](#) ***TMS320DM36x Digital Media System-on-Chip (DMSoC) Voice Codec User's Guide.*** This document describes the voice codec peripheral in the TMS320DM36x Digital Media System-on-Chip (DMSoC). This module can access ADC/DAC data with internal FIFO (Read FIFO/Write FIFO). The CPU communicates to the voice codec module using 32-bit-wide control registers accessible via the internal peripheral bus.
- [SPRUFIJ0](#) ***TMS320DM36x Digital Media System-on-Chip (DMSoC) Power Management and Real-Time Clock Subsystem (PRTCSS) User's Guide.*** This document provides a functional description of the Power Management and Real-Time Clock Subsystem (PRTCSS) in the TMS320DM36x Digital Media System-on-Chip (DMSoC) and PRTC interface (PRTCIF).

3 Device Configurations

This section provides a detailed overview of the device.

3.1 System Module Registers

The system module includes status and control registers for configuration of the device. Brief descriptions of the various registers are shown in [Table 3-1](#). For more information on the System Module registers, see the *TMS320DM36x DMSoC ARM Subsystem Reference Guide* (literature number [SPRUFG5](#)).

Table 3-1. System Module Register Memory Map

| HEX ADDRESS | REGISTER ACRONYM | DESCRIPTION ⁽¹⁾ |
|-------------|------------------|--|
| 0x01C4 0000 | PINMUX0 | Pin Mux 0 (Video In) Pin Mux Register |
| 0x01C4 0004 | PINMUX1 | Pin Mux 1 (Video Out) Pin Mux Register |
| 0x01C4 0008 | PINMUX2 | Pin Mux 2 (AEMIF) Pin Mux Register |
| 0x01C4 000C | PINMUX3 | Pin Mux 3 (GIO/Misc) Pin Mux Register |
| 0x01C4 0010 | PINMUX4 | Pin Mux 4 (Misc) Pin Mux Register |
| 0x01C4 0014 | BOOTCFG | Boot Configuration |
| 0x01C4 0018 | ARM_INTMUX | Multiplexing Control for Interrupts |
| 0x01C4 001C | EDMA_EVTMUX | Multiplexing Control for EDMA Events |
| 0x01C4 0020 | DDR_SLEW | DDR Slew Rate |
| 0x01C4 0024 | UHPICTL | UHPI Control |
| 0x01C4 0028 | DEVICE_ID | Device ID |
| 0x01C4 002C | VDAC_CONFIG | Video DAC Configuration |
| 0x01C4 0030 | TIMER64_CTL | Timer64 Input Control |
| 0x01C4 0034 | USB_PHY_CTL | USB PHY Control |
| 0x01C4 0038 | MISC | Miscellaneous Control |
| 0x01C4 003C | MSTPRI0 | Master Priorities Register 0 |
| 0x01C4 0040 | MSTPRI1 | Master Priorities Register 1 |
| 0x01C4 0044 | VPSS_CLK_CTL | VPSS Clock Mux Control |
| 0x01C4 0048 | PERI_CLKCTL | Peripheral Clock Control |
| 0x01C4 004C | DEEPSLEEP | DEEPSLEEP Control |
| 0x01C4 0050 | - | Reserved |
| 0x01C4 0054 | DEBOUNCE0 | Debounce for GIO0 Input |
| 0x01C4 0058 | DEBOUNCE1 | Debounce for GIO1 Input |
| 0x01C4 005C | DEBOUNCE2 | Debounce for GIO2 Input |
| 0x01C4 0060 | DEBOUNCE3 | Debounce for GIO3 Input |
| 0x01C4 0064 | DEBOUNCE4 | Debounce for GIO4 Input |
| 0x01C4 0068 | DEBOUNCE5 | Debounce for GIO5 Input |
| 0x01C4 006C | DEBOUNCE6 | Debounce for GIO6 Input |
| 0x01C4 0070 | DEBOUNCE7 | Debounce for GIO7 Input |
| 0x01C4 0074 | VTPIOCR | VTP IO Control |
| 0x01C4 0078 | PUPDCTL0 | IO cell pullup/down on/off control #0 |
| 0x01C4 007C | PUPDCTL1 | IO cell pullup/down on/off control #1 |
| 0x01C4 0080 | HDVICPBT | HDVICP Boot Register |
| 0x01C4 0084 | PLL1_CONFIG | PLL1 Configuration Register |
| 0x01C4 0088 | PLL2_CONFIG | PLL2 Configuration Register |

(1) For more details on the system module registers, see the *TMS320DM36x DMSoC ARM Subsystem Reference Guide* (literature number [SPRUFG5](#)).

3.2 Boot Modes

The ARM can boot from either Asynchronous EMIF (OneNand/NOR) or from ARM ROM, as determined by the setting of the device configuration pins BTSEL[2:0]. The boot selection pins (BTSEL[2:0]) determine the ARM boot process. After reset (POR, warm reset, or max reset), ARM program execution begins in ARM ROM at 0x0000: 8000, except when BTSEL[2:0] = 001, indicating AEMIF (OneNand/NOR) flash boot.

3.2.1 Boot Modes Overview

The ARM ROM boot loader (RBL) executes when the BTSEL[2:0] pins indicate a condition other than the normal ARM EMIF boot.

- If BTSEL[2:0] = 001 - Asynchronous EMIF boot mode (NOR or OneNAND). This mode is handled by hardware control and does not involve the ROM. In the case of OneNAND, the user is responsible for putting any necessary boot code in the OneNAND's boot page. This code shall configure the AEMIF module for the OneNAND device. After the AEMIF module is configured, booting will continue immediately after the OneNAND's boot page with the AEMIF module managing pages thereafter.
- The RBL supports 7 distinct boot modes:
 - BTSEL[2:0] = 000 - NAND Boot mode
 - BTSEL[2:0] = 010 - MMC0/SD0 Boot mode
 - BTSEL[2:0] = 011 - UART0 Boot mode
 - BTSEL[2:0] = 100 - USB Boot mode
 - BTSEL[2:0] = 101 - SPI0 Boot mode
 - BTSEL[2:0] = 110 - EMAC Boot mode
 - BTSEL[2:0] = 111 - HPI Boot mode
- If NAND boot fails, then MMC/SD mode is tried.
- If MMC/SD boot fails, then MMC/SD boot is tried again.
- If UART boot fails, then UART boot is tried again.
- If USB boot fails, then USB boot is tried again.
- If SPI boot fails, then SPI boot is tried again.
- If EMAC boot fails, then EMAC boot is tried again.
- If HPI boot fails, then HPI boot is tried again.
- RBL shall update boot status (PASS/FAIL) in MISC register bits 8 and 9 in System control module.
- ARM ROM Boot - NAND Mode
 - No support for a full firmware boot. Instead, copies a second stage user boot loader (UBL) from NAND flash to ARM internal RAM (AIM) and transfers control to the user-defined UBL.
 - Support for NAND with page sizes up to 4096 bytes.
 - Support for magic number error detection and retry (up to 24 times) when loading UBL
 - Support for up to 30KB UBL (32KB IRAM - ~2KB for RBL stack)
 - Optional, user-selectable, support for use of DMA and I-cache during RBL execution (i.e., while loading UBL)
 - Supports booting from 8-bit NAND devices (16-bit NAND devices are not supported)
 - Uses/Requires 4-bit HW ECC (NAND devices with ECC requirements ≤ 4 bits per 512 bytes are supported)
 - Supports NAND flash that requires chip select to stay low during the tR read time

- ARM ROM Boot - MMC/SD Mode
 - No support for a full firmware boot. Instead, copies a second stage User Boot Loader (UBL) from MMC/SD to ARM Internal RAM (AIM) and transfers control to the user software.
 - Support for MMC/SD Native protocol (MMC/SD SPI protocol is not supported)
 - Support for descriptor error detection and retry (up to 24 times) when loading UBL
 - Support for up to 30KB UBL (32KB - ~2KB for RBL stack)
 - SDHC boot supported by RBL
- ARM ROM Boot - UART mode
 - If the state of BTSEL[2:0] pins at reset is 011, then the UART boot mode executes. This mode enables a small program, referred to here as a user boot loader (UBL), to be downloaded to the on-chip ARM internal RAM via the on-chip serial UART and executed. A host program, (referred to as serial host utility program), manages the interaction with RBL and provides a means for operator feedback and input. The UART boot mode execution assumes the following UART settings: 24 MHz reference clock, Time-Out 500 ms, one-shot Serial RS-232 port 115.2 Kbps, 8-bit, no parity, one stop bit Command, data, and checksum format Everything sent from the host to the device UART RBL must be in ASCII format
 - No support for a full firmware boot. Instead, loads a second stage user boot loader (UBL) via UART to ARM internal RAM (AIM) and transfers control to the user software.
 - Support for up to 30KB UBL (32KB - ~2KB for RBL stack)
- ARM ROM Boot – USB Mode
 - No support for a full firmware boot. Instead, loads a second stage User Boot Loader (UBL) via USB to ARM Internal RAM (AIM) and transfers control to the users software.
- ARM ROM Boot – SPI Mode
 - The device will copy UBL to ARM Internal RAM (AIM) via SPI interface from a SPI peripheral like SPI EEPROM. RBL will then transfer control to the UBL.
- ARM ROM Boot – EMAC Mode
 - The device will send a boot request packet and the host/server will respond with the boot packets. RBL will wait for all boot packets to arrive and then transfer control to the UBL which is received via boot packets. In EMAC boot mode an I2C EEPROM or SPI EEPROM is necessary for programming EMAC descriptor (including EMAC address for the device)
Note: If a magic number is not found in the EEPROM, then the EMAC boot mode will use a default MAC address. In this case, there will be no magic number support.
- ARM ROM Boot – HPI Mode
 - The Host will copy UBL to ARM Internal RAM (AIM) via HPI interface and notify the ROM bootloader after copy is finished. RBL will then transfer control to the UBL.

The general boot sequence is shown in [Figure 3-1](#). For more information, refer to the *TMS320DM36x DMSoC ARM Subsystem Reference Guide* (literature number [SPRUFG5](#)).

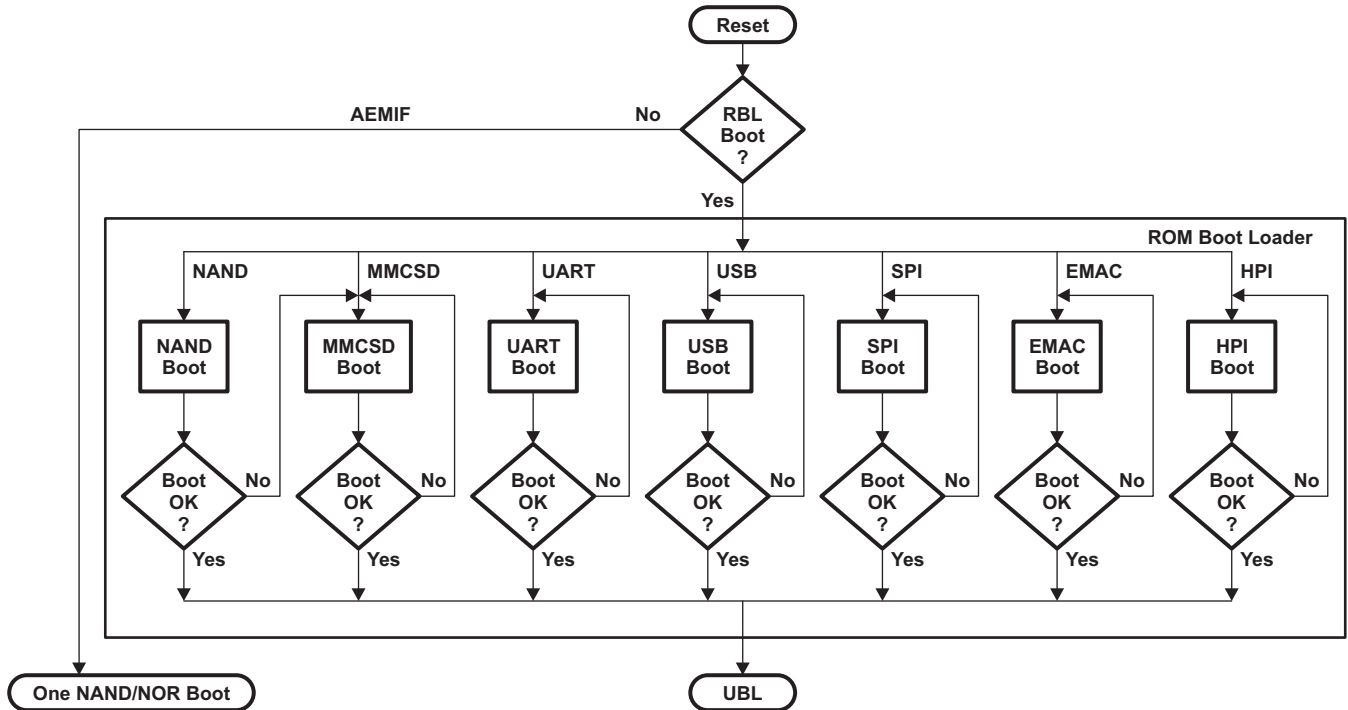


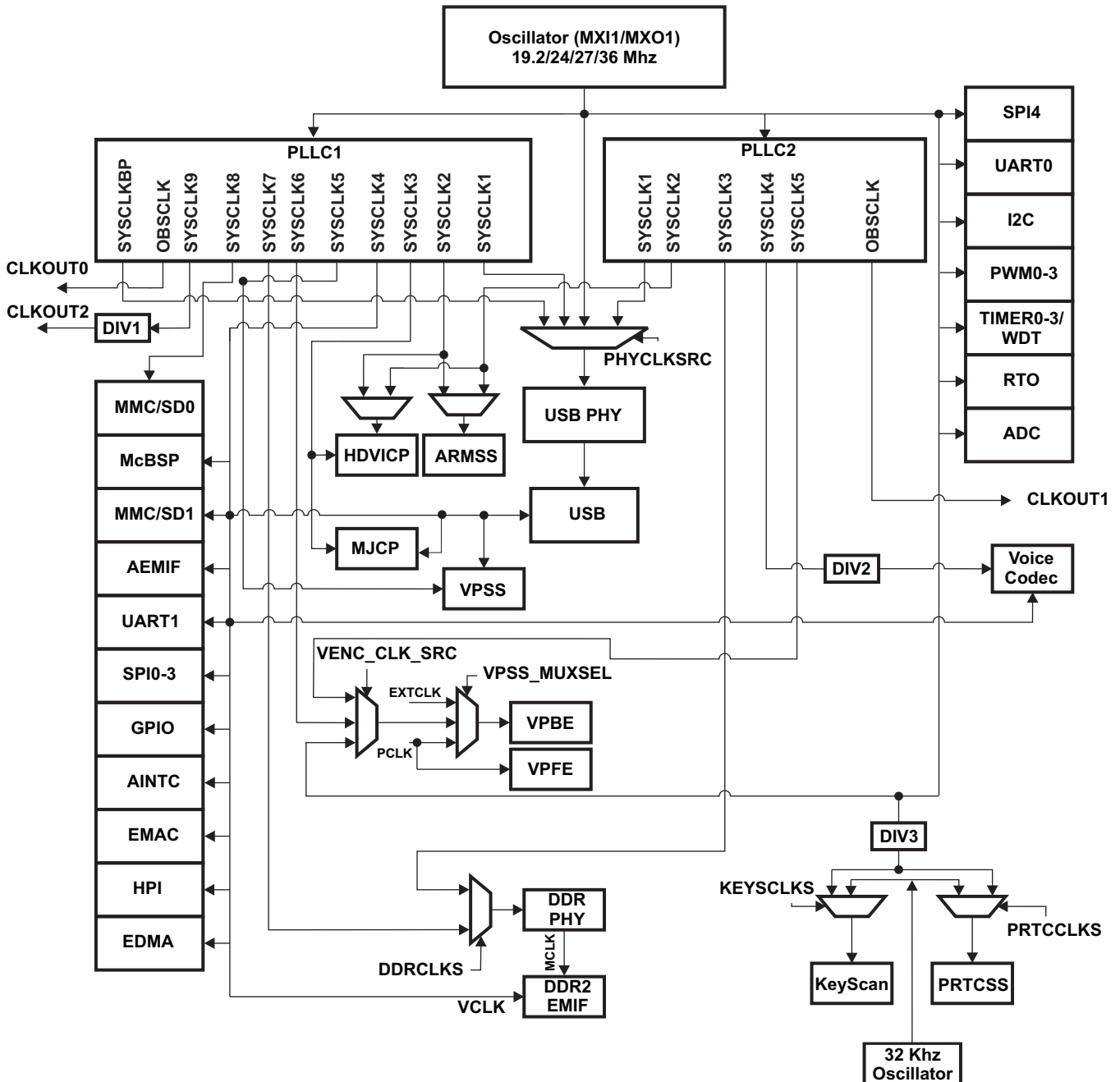
Figure 3-1. Boot Mode Functional Block Diagram

3.3 Device Clocking

3.3.1 Overview

The device requires one primary reference clock. The reference clock frequency may be generated either by crystal input or by external oscillator. The reference clock is the clock at the pins named MXI1/MXO1, and which drives two separate PLL controllers (PLL1 and PLL2). PLL1 generates the clocks required by the ARM, EDMA, VPSS and the rest of the peripherals. PLL2 generates the clock required by the DDR PHY interface and is also capable of providing clocks to the ARM, USB, Video, or Voice Codec modules as well as a flexible clocking option. [Figure 3-2](#) represents the clocking architecture for the ARM subsystem. For more information on device clocking and the system PLL controller please see the *TMS320DM36x DMSoC ARM Subsystem Reference Guide* (literature number [SPRUFG5](#)).

Figure 3-2. Clocking Architecture



3.3.2 PLL Controller Module

Two PLL controllers provide clocks to different components of the chip. The PLL controller 1 (PLL1) provides clocks to most of the components of the chip. The PLL controller 2 (PLL2) provides clocks to the DDR PHY and is also capable of providing clocks to the ARM, USB, VPSS or the Voice Codec modules instead as well.

As a module, the PLL controller provides the following:

- Glitch-free transitions (on changing PLL settings)
- Domain clocks alignment
- Clock gating

- PLL bypass
- PLL power down

The various clock outputs given by the PLL controller are as follows:

- Domain clocks: SYSCLKn
- Bypass domain clock: SYSCLKBP
- Auxiliary clock from reference clock: AUXCLK

Various dividers that can be used are as follows:

- Pre-PLL divider: PREDIV
- Post-PLL divider: POSTDIV
- SYSCLK divider: PLLDIV1, ..., PLLDIVn
- SYSCLKBP divider: BPDIV

The Multiplier values supported are handled by:

- PLL multiplier control: PLLM

Notes:

- PLLCxSYSCLKy is used to denote post divide clock output SYSCLKy from PLL controller x
- 'x', which denotes PLL Controller number, can assume values 1 and 2
- 'y', which denotes post divide clock outputs, can assume values 1 to 9 in case of PLLC1 and 1 to 5 in case of PLLC2

The PLL Controllers for PLL1 and PLL2 are described in detail in the *TMS320DM36x ARM Subsystem Reference Guide* (literature number [SPRUFG5](#)).

3.3.3 PLLC1

There are two PLLs on the device, and they are independently controlled. PLLC1 generates the frequencies needed for the ARM, Video Processing Sub System (VPSS), MJCP coprocessor block, EDMA, and peripherals.

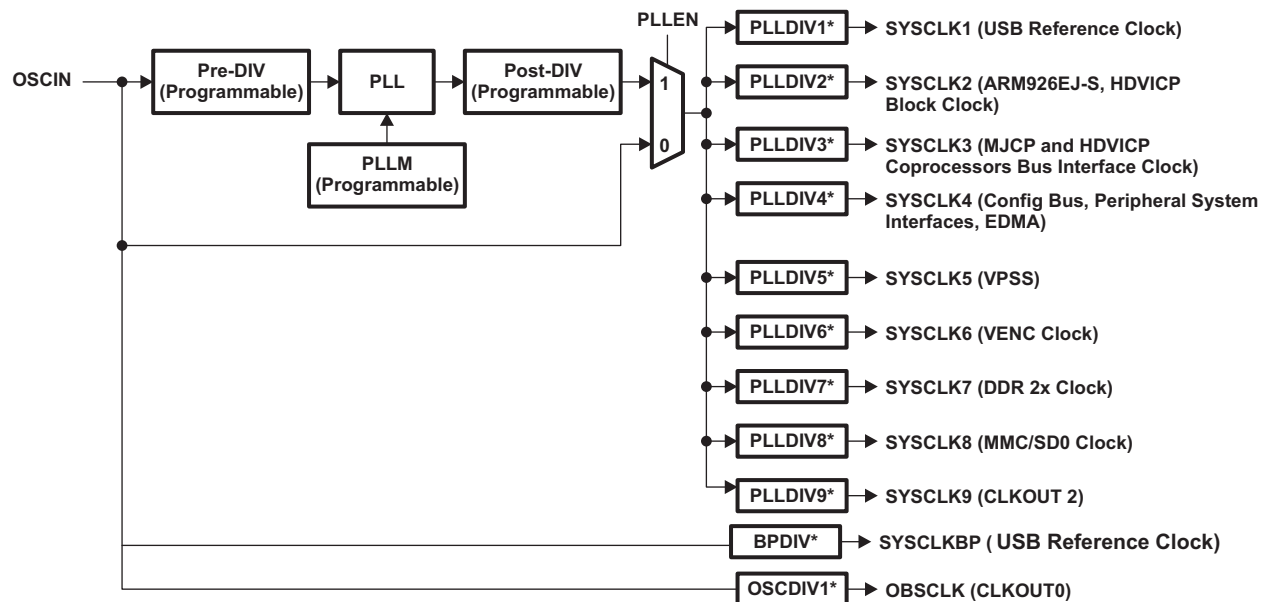
The reference clock for both PLLs is the single crystal input. Both PLLs will be of the same type . It should be noted that the USB2.0 PHY contains a third PLL embedded within it. [Table 3-2](#), and [Figure 3-3](#) describe the customization of PLLC1.

- Provides primary system clock
- Software configurable
- Accepts clock input or internal oscillator input
- PLL pre-divider value is programmable
- PLL multiplier value is programmable
- PLL post-divider value is programmable . See the data manual for all supported configurations.
- Only SYSCLK [9:1] are used

Table 3-2. PLLC1 Output Clocks

| PLLC1SYSCLKy | Used By | PLLDIV Divider |
|---------------|---|----------------|
| PLLC1SYSCLK1 | USB reference clock ⁽¹⁾ | Programmable |
| PLLC1SYSCLK2 | ARM926EJ-S, HDVICP block clock ⁽¹⁾ | Programmable |
| PLLC1SYSCLK3 | MJCP and HDVICP bus interface clock | Programmable |
| PLLC1SYSCLK4 | Configuration bus clock, peripheral system interfaces, EDMA | Programmable |
| PLLC1SYSCLK5 | VPSS clock | Programmable |
| PLLC1SYSCLK6 | VENC clock ⁽¹⁾ | Programmable |
| PLLC1SYSCLK7 | DDR 2x clock ⁽¹⁾ | Programmable |
| PLLC1SYSCLK8 | MMC/SD0 clock | Programmable |
| PLLC1SYSCLK9 | CLKOUT2 | Programmable |
| PLLC1OBSCLK | CLKOUT0 | Programmable |
| PLLC1SYSCLKBP | USB reference clock ⁽¹⁾ | Programmable |

(1) These clock outputs are multiplexed with other clocks.

Figure 3-3. PLLC1 Configuration

* – Programmable

3.3.4 PLLC2

PLLC2 provides the USB reference clock, ARM926EJ-S, DDR 2x clock, Voice Codec clock and VENC 27MHz, 74.25MHz clock. The PLLC2 functionality can be programmed via the PLLC2 registers. The following list, [Table 3-3](#), and [Figure 3-4](#) describe the customization of PLLC2.

The PLLC2 customization includes the following features:

- PLLC2 provides DDR PHY, USB reference clock, ARM926EJ-S clock, VENC 27MHz, 74.25Hz clock and Voice codec clock
- Software configurable
- Accepts clock input or internal oscillator input (the same input as PLLC1)
- PLL pre-divider value is programmable
- PLL multiplier value is programmable
- PLL post-divider value is programmable
- Only SYSCLK [5:1] are used

Table 3-3. PLLC2 Output Clocks

| PLLC2SYSCLKy | Used by | PLLDIV Divider |
|--------------|---|----------------|
| PLLC2SYSCLK1 | USB reference clock ⁽¹⁾ | Programmable |
| PLLC2SYSCLK2 | ARM926EJ-S, HDVICP block clock ⁽¹⁾ | Programmable |
| PLLC2SYSCLK3 | DDR 2x clock ⁽¹⁾ | Programmable |
| PLLC2SYSCLK4 | Voice Codec clock | Programmable |
| PLLC2SYSCLK5 | VENC clock ⁽¹⁾ | Programmable |
| PLLC2OBSCLK | CLKOUT1 | Programmable |

(1) These clock outputs are multiplexed with other clocks.

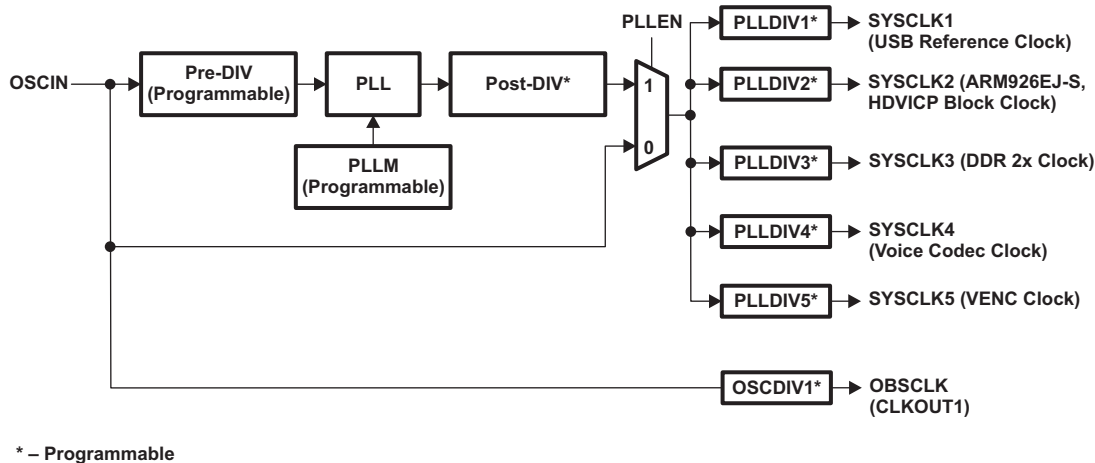


Figure 3-4. PLLC2 Configuration

3.3.5 Processing, Video, EDMA and DDR EMIF Subsystems Maximum Operating Frequencies

Table 3-4 shows the maximum speeds supported for each of the major blocks supported on the different speed grade devices.

Table 3-4. Processing, Video, EDMA and DDR EMIF Subsystems Maximum Operating Frequencies

| | DM368 |
|--------------------------------|-----------|
| ARM926 RISC | 432 MHz |
| Co-Processor (HDVICP) | 340 MHz |
| Co-Processor (MJCP) | 340 MHz |
| DDR2 | 340 MHz |
| mDDR | 168 MHz |
| VPSS Logic Block | 340 MHz |
| Peripheral System Bus and EDMA | 170 MHz |
| VPBE-VENC | 74.25 MHz |
| VPFE | 120 MHz |

3.3.6 PLL Controller Clocking Configurations Examples

Like the DM365, the DM368 uses two PLLs to generate the two fundamental clocks used on the device. These two clocks feed two divider blocks which generate all of the functional clocks used by the peripherals and cores in the DM368. The ARM926 and DDR peripheral in the DM368 are limited to a maximum clock frequency of 432 MHz and 340 MHz respectively. There are some peripheral clocks on the DM368 which are required to operate at a specific frequency by functional specification or convention. These frequencies are detailed in Table 3-5.

Table 3-5. Specific Peripheral Operating Frequencies

| Clock | Required Frequency (MHz) | Reason |
|----------------------------|--------------------------|---|
| VENC (standard definition) | 27 | required to generate a valid NTSC signal |
| VENC (high definition) | 74.25 | required to generate a valid ATSC signal |
| USB | 36, 24, or 19.2 | required by the USB peripheral to generate a 48 MHz USB clock |
| Voice Codec | 4.096 | required to generate a precise 16 kHz audio sample rate |

While it is possible to generate both a 432 MHz and 340 MHz clock with the two PLLs, these two frequencies cannot be divided down to generate all required frequencies from [Table 3-5](#). Several different frequency solutions are required to cover all of these requirements. The different solutions for different input crystal frequencies are listed in the tables below.

The following tables show examples of the PLL combinations that can be supported with DM368. Please see the *TMS320DM36x DMSoC ARM Subsystem Reference Guide* (literature number [SPRUF55](#)) for additional details on special peripherals clocking considerations and for additional PLL controller configuration details.

There are several important points to note from these tables.

- A 432 MHz functional clock will result in DM368 voice codec sampling frequency of 16.07KHz. The difference of 0.4375% versus 16KHz specification should be acceptable for the majority of audio applications. If the DM368 voice codec is required to operate at precisely 16 kHz then the functional clock can be reduced to achieve precisely that sample frequency but the ARM926 and HDVICP will have to run at a reduced rate resulting in lower video performance.
- If a 24 MHz input crystal is used it is not possible to generate a 74.25 MHz HD video output clock.
- If a 19.2 MHz input crystal is used it is not possible to generate a valid 74.25 MHz HD output clock.

Table 3-6. 24-MHz Input Crystal Example ^{(1) (2) (3)}

| PLL1 | | PLL2 | | ARM | DDR | MJCP | HDVICP | Voice Codec ⁽⁴⁾ | Video Encoder | |
|---------------------------------|------------|------------------|------------|--------|-----|------|--------|----------------------------|---------------|----------|
| PLL Output ⁽⁵⁾ (MHz) | (2M/(N+1)) | PLL Output (MHz) | (2M/(N+1)) | | | | | | 27MHz | 74.25MHz |
| 680 | 170/6 | 432 | 18/1 | 432 | 340 | 340 | 340 | 1/105 (16.06 kHz) | 1/16 | - |
| 680 | 170/6 | 430.08 | 448/25 | 430.08 | 340 | 340 | 340 | 1/105 | - | - |

- (1) M = PLL controller multiplier. N = PLL controller divider.
- (2) All shaded frequencies derive from the PLL2 controller.
- (3) PLLC1SYSCLK4 (Configuration bus clock, peripheral system interfaces, EDMA) should be half of the PLLC1SYSCLK3 (MJCP and HDVICP bus interface clock).
- (4) The Voice Codec divider value is the combination of the PLL controller 2 SYSCLK4 and Peripheral Clock Control Register PLLDIV2 bit setting divider.
- (5) PLL Output is calculated by = Oscillator Input * (2M/(N+1)).

Table 3-7. 36-MHz Input Crystal Example ^{(1) (2) (3)}

| PLL1 | | PLL2 | | ARM | DDR | MJCP | HDVICP | Voice Codec ⁽⁴⁾ | Video Encoder | |
|---------------------------------|------------|------------------|------------|--------|-----|------|--------|----------------------------|---------------|----------|
| PLL Output ⁽⁵⁾ (MHz) | (2M/(N+1)) | PLL Output (MHz) | (2M/(N+1)) | | | | | | 27MHz | 74.25MHz |
| 680 | 510/27 | 432 | 12/1 | 432 | 340 | 340 | 340 | 1/105 (16.07 kHz) | 1/16 | - |
| 680 | 680/27 | 371.25 | 330/32 | 371.25 | 340 | 340 | 340 | 1/91 (15.936 kHz) | - | 1/5 |

- (1) M = PLL controller multiplier. N = PLL controller divider.
- (2) All shaded frequencies derive from the PLL2 controller.
- (3) PLLC1SYSCLK4 (Configuration bus clock, peripheral system interfaces, EDMA) should be half of the PLLC1SYSCLK3 (MJCP and HDVICP bus interface clock).
- (4) The Voice Codec divider value is the combination of the PLL controller 2 SYSCLK4 and Peripheral Clock Control Register PLLDIV2 bit setting divider.
- (5) PLL Output is calculated by = Oscillator Input * (2M/(N+1)).

Table 3-8. 19.2-MHz Input Crystal Example^{(1) (2)(3)}

| PLL1 | | PLL2 | | ARM | DDR | MJCP | HDVICP | Voice Codec ⁽⁴⁾ | Video Encoder | |
|---------------------------------|------------|------------------|------------|--------|--------|--------|--------|----------------------------|---------------|----------|
| PLL Output ⁽⁵⁾ (MHz) | (2M/(N+1)) | PLL Output (MHz) | (2M/(N+1)) | | | | | | 27MHz | 74.25MHz |
| 679.82 | 956/27 | 432 | 90/4 | 432 | 339.91 | 339.91 | 339.91 | 1/105 (16.07 kHz) | 1/16 | - |
| 679.82 | 956/27 | 430.08 | 112/5 | 430.08 | 339.91 | 339.91 | 339.91 | 1/105 | - | - |

- (1) M = PLL controller multiplier. N = PLL controller divider.
- (2) All shaded frequencies derive from the PLL2 controller.
- (3) PLLC1SYSCLK4 (Configuration bus clock, peripheral system interfaces, EDMA) should be half of the PLLC1SYSCLK3 (MJCP and HDVICP bus interface clock).
- (4) The Voice Codec divider value is the combination of the PLL controller 2 SYSCLK4 and Peripheral Clock Control Register PLLDIV2 bit setting divider.
- (5) PLL Output is calculated by = Oscillator Input * (2M/(N+1)).

Table 3-9. 27-MHz Input Crystal Example^{(1) (2)(3)}

| PLL1 | | PLL2 | | ARM | DDR | MJCP | HDVICP | Voice Codec ⁽⁴⁾ | USB | Video Encoder | |
|---------------------------------|------------|------------------|------------|--------|-----|------|--------|----------------------------|------|---------------|----------|
| PLL Output ⁽⁵⁾ (MHz) | (2M/(N+1)) | PLL Output (MHz) | (2M/(N+1)) | | | | | | | 27 MHz | 74.25MHz |
| 680 | 680/27 | 432 | 16/1 | 432 | 340 | 340 | 340 | 1/105 (16.07 kHz) | 1/18 | 1/16 | - |
| 680 | 680/27 | 371.25 | 110/8 | 371.25 | 340 | 340 | 340 | 1/91 (15.936 kHz) | - | - | 1/5 |

- (1) M = PLL controller multiplier. N = PLL controller divider.
- (2) All shaded frequencies derive from the PLL2 controller.
- (3) PLLC1SYSCLK4 (Configuration bus clock, peripheral system interfaces, EDMA) should be half of the PLLC1SYSCLK3 (MJCP and HDVICP bus interface clock).
- (4) The Voice Codec divider value is the combination of the PLL controller 2 SYSCLK4 and Peripheral Clock Control Register PLLDIV2 bit setting divider.
- (5) PLL Output is calculated by = Oscillator Input * (2M/(N+1)).

For maximum H.264 encode performance the ARM must run at 432 MHz and the DDR at 340 MHz. Any speed decrease to either of these will reduce encode performance. This means that if the ARM speed must be reduced to enable another function it will impact the encode performance.

If USB is required then a 36 MHz, 24 MHz or 19.2 MHz input crystal is preferred as those can support USB at full ARM rate.

If a video output is needed then a 36 MHz, 27 MHz or 24 MHz input crystal should be used. For HD video output it may be preferred to use the EXTCLK input to inject an external 74.25 MHz clock and at the same time operate the ARM at 432 MHz.

3.3.7 Peripheral Clocking Considerations

The device supports several peripherals with special clocking considerations (VPBE, USB, Key Scan, ADC, Voice Codec, MJCP, HDVICP, AUXCLK, DDR2 EMIF). For more detail on these special considerations, see the *Peripheral Clocking Considerations* section of the *TMS320DM36x DMSoC ARM Subsystem Reference Guide* (literature number [SPRUFG5](#)).

3.4 Power and Sleep Controller (PSC)

In the device system, the Power and Sleep Controller (PSC) is responsible for managing transitions of system power on/off, clock on/off, and reset. A block diagram of the PSC is shown in [Figure 3-5](#). Many of the operations of the PSC are transparent to software, such as power-on-reset operations. However, the PSC provides you with an interface to control several important clock and reset operations.

The PSC includes the following features:

- Manages chip power-on/off, clock on/off, and resets

- Provides a software interface to:
 - Control module clock ON/OFF
 - Control module resets
- Supports IcePick emulation features: power, clock, and reset

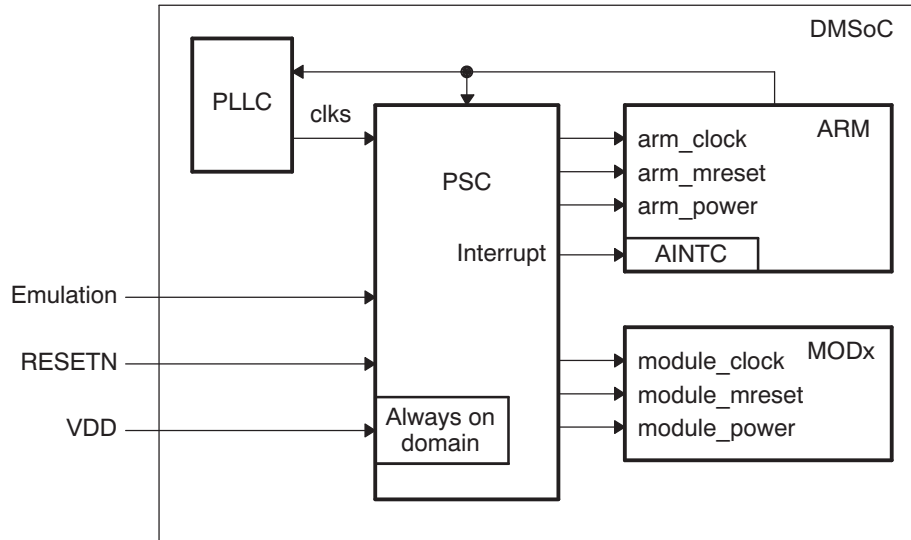


Figure 3-5. Power and Sleep Controller (PSC)

For more information on the PSC, see the *TMS320DM36x DMSoC ARM Subsystem Reference Guide* (literature number [SPRUFG5](#)).

3.5 Pin Multiplexing

The device makes extensive use of pin multiplexing to accommodate the large number of peripheral functions in the smallest possible package. In order to accomplish this, pin multiplexing is controlled using a combination of hardware configuration (at device reset) and software control. No attempt is made by the hardware to ensure that the proper pin muxing has been selected for the peripherals or interface mode being used, thus proper pin muxing configuration is the responsibility of the board and software designers. An overview of the pin multiplexing is shown in [Table 3-10](#).

All pin multiplexing options are configurable by software via pin mux registers that reside in the System Control Module. The PinMux0 Register controls the Video In muxing, PinMux1 register controls Video Out signals, PinMux2 register controls AEMIF signals, PinMux3 registers control the multiplexing of the GIO signals, the PinMux4 register controls the SPI and MMC/SD0 signals. See the *TMS320DM36x DMSoC ARM Subsystem Reference Guide* (literature number [SPRUFG5](#)) for complete descriptions of the pin mux registers.

The device configuration pins are multiplexed with AEMIF pins. Note that the AECFG[2:0] inputs only select the default AEMIF address pin muxing. The number of active address pins may be increased or reduced at any time by modifying the appropriate bits in the PinMux2 control register. After the device configuration pins are sampled at reset, they automatically change to function as AEMIF pins. For more details on AEMIF default configuration, see [Section 3.7.5](#).

Table 3-10. Peripheral Pin Mux Overview

| Peripheral | Muxed With | Primary Function | Secondary Function | Tertiary Function |
|---------------------|--------------------|------------------|--------------------|-------------------|
| VPFE (video in) | GPIO and SPI3 | GPIO | VPFE (video in) | SPI3 |
| VPBE (video out) | GPIO, PWM, and RTO | GPIO | VPBE (video out) | PWM & RTO |
| AEMIF | GPIO | AEMIF | GPIO | |
| McBSP | GPIO | GPIO | McBSP | |
| MMC/SD0 | | MMC/SD0 | | |
| MMC/SD1 | GPIO and EMIF | GPIO | MMC/SD1 | EMIF |
| CLKOUT | GPIO | GPIO | CLKOUT | |
| I2C | GPIO | GPIO | I2C | |
| UART0/UART1 | GPIO | GPIO | UART | |
| SPI0,SPI1,SPI2,SPI4 | GPIO | GPIO | SPI | |
| EMAC | GPIO | GPIO | EXTINT | EMAC |
| HPI | AEMIF | AEMIF | HPI | |

3.6 Device Reset

There are five types of reset. The types of reset differ by how they are initiated and/or by their effect on the chip. Each type is briefly described in [Table 3-11](#) and further described in the *TMS320DM36x DMSoC ARM Subsystem Reference Guide* (literature number [SPRUFG5](#)).

Table 3-11. Reset Types

| Type | Initiator | Effect |
|----------------------|--|--|
| POR (Power-On-Reset) | $\overline{\text{RESET}}$ pin low and $\overline{\text{TRST}}$ low | Total reset of the chip (cold reset). Activates the POR signal on chip, which is used to reset test/emulation logic. |
| Warm Reset | $\overline{\text{RESET}}$ pin low | Resets everything except for test/emulation logic. ARM emulator stays alive during Warm reset. |
| Max Reset | ARM emulator or Watchdog Timer (WDT) | Same effect as warm reset. |
| System Reset | ARM emulator | A soft reset. Soft reset maintains memory contents, and does not affect or reset clocks or power states. |
| Module Reset | ARM software | Can independently apply reset to each module, via an MMR. Intended as a debug tool, and not necessarily for general use. |

3.7 Default Device Configurations

After POR, warm reset, and max reset, the chip is in its default configuration. This section highlights the default configurations associated with PLLs, clocks, ARM boot mode, and AEMIF.

Note: Default configuration is the configuration immediately after POR, warm reset, and max reset and just before the boot process begins. The boot ROM updates the configuration. See [Section 3.2](#) for more information on the boot process.

3.7.1 Device Configuration Pins

The device configuration pins are described in [Table 3-12](#). The device configuration pins are latched at reset and allow you to configure all of the following options at reset:

- ARM Boot Mode
- Asynchronous EMIF pin configuration

These pins are described further in the following sections.

Note: The device configuration pins are multiplexed with AEMIF pins. After the device configuration pins are sampled at reset, they automatically change to function as AEMIF pins. Pin multiplexing is described in [Section 3.5](#).

Table 3-12. Device Configuration

| Device Configuration Input | Function | Sampled Pin | Default Setting (by internal pull-up/pull-down) |
|----------------------------|---|-------------|---|
| BTSEL[2:0] | Selects ARM boot mode 000 = Boot from ROM (NAND) 001 = Boot from AEMIF 010 = Boot from ROM (MMC/SD) 011 = Boot from ROM (UART) 100 = Boot from ROM (USB) 101 = Boot from ROM (SPI) 110 = Boot from ROM (EMAC) 111 = Boot from ROM (HPI) | EM_A[13:11] | 000 (Boot from ROM - NAND) |
| AECFG[2:0] | AEMIF Configuration ⁽¹⁾ AECFG[2] = '0' for 8-bit AEMIF configuration AECFG[2] = '1' for 16-bit AEMIF configuration | EM_A[10:8] | 000 (8-bit NAND) |

(1) Other supported AECFG[2:0] combinations can be found in [Table 3-14](#).

Table 3-12. Device Configuration (continued)

| Device Configuration Input | Function | Sampled Pin | Default Setting (by internal pull-up/pull-down) |
|----------------------------|--|-------------|---|
| OSCCFG | Oscillator Configuration OSCCFG = '0' for mode #1 OSCCFG = '1' for mode #2 | GIO81 | 0 (Mode #1) |

3.7.2 PLL Configuration

After POR, warm reset, and max reset, the PLLs and clocks are set to their default configurations. The PLLs are in bypass mode and disabled by default. This means that the input reference clock at MX11 (typically 24 MHz) drives the chip after reset. For more information on device clocking, see [Section 3.3](#). The default state of the PLLs is reflected in the default state of the register bits in the PLLC registers. Refer to the *TMS320DM36x DMSoC ARM Subsystem Reference Guide* (literature number [SPRUG5](#)).

3.7.3 Power Domain and Module State Configuration

Only a subset of modules are enabled after reset by default. [Table 3-13](#) shows which modules are enabled after reset. [Table 3-13](#) shows that the following modules are enabled depending on the sampled state of the device configuration pins. For example, if UART boot mode is BTSEL[2:0] = 011, then the default state of the UART module is enabled. For more information on module configuration, refer to the *TMS320DM36x DMSoC ARM Subsystem Reference Guide* (literature number [SPRUG5](#)).

Table 3-13. LPSC Assignments and Module Configuration⁽¹⁾

| LPSC/ MODULE NUMBER | MODULE NAME | BTSEL [2:0] | | | | | | | |
|---------------------------|-------------|---------------|-------|------------------|----------------|--------------|---------------|---------------|-----------|
| | | 000 | 001 | 010 | 011 | 100 | 101 | 110 | 111 |
| | | ROM (NAND) | AEMIF | ROM (MMC/SD0) | ROM (UART0) | ROM (USB) | ROM (SPI0) | ROM (EMAC) | ROM (HPI) |
| 0 | EDMA CC | On | On | | | On | | On | |
| 1 | EDMA TC0 | On | On | | | On | | On | |
| 2 | EDMA TC1 | | | | | | | | |
| 3 | EDMA TC2 | | | | | | | | |
| 4 | EDMA TC3 | | | | | | | | |
| 5 | TIMER3 | | | | | | | | |
| 6 | SPI1 | | | | | | | | |
| 7 | MMC_SD1 | | | | | | | | |
| 8 | McBSP | | | | | | | | |
| 9 | USB | | | | | On | | | |
| 10 | PWM3 | | | | | | | | |
| 11 | SPI2 | | | | | | | | |
| 12 | RTO | | | | | | | | |
| 13 | DDR EMIF | | | | | | | | |
| 14 | AEMIF | On | On | | | | | | |
| 15 | MMC/SD0 | | | On | | | | | |
| 16 | Reserved | | | | | | | | |
| 17 | TIMER4 | | | | | | | | |
| 18 | I2C | | | | | | | | |
| 19 | UART0 | | | | On | | | | |
| 20 | UART1 | | | | | | | | |
| 21 | UHPI | | | | | | | | On |

(1) "(Blank)" in the above table indicates module is disabled.

Table 3-13. LPSC Assignments and Module Configuration⁽¹⁾ (continued)

| LPSC/ MODULE NUMBER | MODULE NAME | BTSEL [2:0] | | | | | | | |
|---------------------------|-------------|-------------|----------|----------|----------|----------|----------|----------|----------|
| | | | | | | | | | |
| 22 | SPI0 | | | | | | On | | |
| 23 | PWM0 | | | | | | | | |
| 24 | PWM1 | | | | | | | | |
| 25 | PWM2 | | | | | | | | |
| 26 | GPIO | | | | | | | | |
| 27 | TIMER0 | On | On | On | On | On | On | On | On |
| 28 | TIMER1 | | | | | | | | |
| 29 | TIMER2 | On | On | On | On | On | On | On | On |
| 30 | SYSTEM | On | On | On | On | On | On | On | On |
| 31 | ARM | On | On | On | On | On | On | On | On |
| 32 | Reserved | Reserved | Reserved | Reserved | Reserved | Reserved | Reserved | Reserved | Reserved |
| 33 | Reserved | Reserved | Reserved | Reserved | Reserved | Reserved | Reserved | Reserved | Reserved |
| 34 | Reserved | On | On | On | On | On | On | On | On |
| 35 | EMULATION | On | On | On | On | On | On | On | On |
| 36 | Reserved | Reserved | Reserved | Reserved | Reserved | Reserved | Reserved | Reserved | Reserved |
| 37 | Reserved | Reserved | Reserved | Reserved | Reserved | Reserved | Reserved | Reserved | Reserved |
| 38 | SPI3 | | | | | | | | |
| 39 | SPI4 | | | | | | | | |
| 40 | EMAC | | | | | | | On | |
| 41 | RTC | On | On | On | On | On | On | On | On |
| 42 | KEYSCAN | | | | | | | | |
| 43 | ADC | | | | | | | | |
| 44 | Voice Codec | | | | | | | | |
| 45 | VDAC CLKREC | | | | | | | | |
| 46 | VDAC CLK | | | | | | | | |
| 47 | VPSS MASTER | | | | | | | | |
| 48 | Reserved | Reserved | Reserved | Reserved | Reserved | Reserved | Reserved | Reserved | Reserved |
| 49 | Reserved | Reserved | Reserved | Reserved | Reserved | Reserved | Reserved | Reserved | Reserved |
| 50 | MJCP | | | | | | | | |
| 51 | HDVICP | | | | | | | | |

3.7.4 ARM Boot Mode Configuration

The ARM can boot from either Asynchronous EMIF (OneNand/NOR) or from ARM ROM, as determined by the setting of the device configuration pins BTSEL[2:0]. The boot selection pins (BTSEL[2:0]) determine the ARM boot process. After reset (POR, warm reset, or max reset), ARM program execution begins in ARM ROM at 0x0000: 8000, except when BTSEL[2:0] = 001, indicating AEMIF (OneNand/NOR) flash boot.

Boot modes are further described in [Section 3.2](#).

3.7.5 AEMIF Configuration

3.7.5.1 AEMIF Pin Configuration

The input pins AECFG[2:0] determine the AEMIF configuration immediately after reset. Pins that are not assigned to another peripheral and not enabled as address signals become GPIOs. These may be used as ALE and CLE signals for NAND Flash control if booting from internal ROM. If booting from NOR Flash then the appropriate number of address output must be enabled by the AECFG[2:0] inputs at reset. The enabled address signals are always contiguous from EM_BA[1] upwards; bits cannot be skipped. EM_A[0] does not represent the lowest AEMIF address bit. The device has 23 address lines and 2 chip selects with an 8-bit or 16-bit option. The device supports **only** 8-bit and 16-bit data widths for the AEMIF.

- 16-bit mode: EM_BA[1] represents the LS address bit (the half-word address) and EM_BA[0] represents address bit (A[14]). The maximum number of address lines pins in 16-bit mode are 23, which include EM_BA[1] + EM_A[0:13] + EM_BA[0] (as pin A[14] via PINMUX2 register) + EM_A[15:20] + EM_A[21] (via PINMUX4 register)

Note: Pins EM_A[15:21] are available by programming the PinMux4 register in software after boot, but must be pulled down externally so that valid voltage levels are provided on the full set of address pins during boot time. EM_A[15:21] come out of reset as GPIO pins per the PinMux4 register.

- 8-bit mode: EM_BA[1:0] represent the 2 LS address bits. Additional selections are available by programming the PinMux2 register in software after boot. The maximum number of address lines in 8-bit mode are 23, which include EM_BA[0:1] + EM_A[0:13] + A[14] (via PINMUX4 register) + EM_A[15:20].

Note: Pins EM_A[15:20] are available by programming the PinMux4 register in software after boot, but must be pulled down externally so that valid voltage levels are provided on the full set of address pins during boot time. EM_A[15:20] come out of reset as GPIO pins per the PinMux4 register.

For additional details about the PinMux2 and PinMux4 registers, see the *TMS320DM36x DMSoC ARM Subsystem Reference Guide* (literature number [SPRUFG5](#)).

The device's pin-mux control logic allows all of the Asynchronous EMIF address pins to be used as GPIOs. If devices (such as NAND Flash) attached to the AEMIF require less than the 16 address pins provided, then the unused upper-order addresses may be configured as GPIOs. These pins must be configured at reset so that pins being driven by the AEMIF with addresses will not cause bus contention with pins being driven by the system as general purpose inputs.

The AECFG[2:0] value does not affect the operation of the AEMIF module itself, only which of its address bits are seen on the device pins (resulting in the natural ramifications if devices don't receive all address signals or if contention with general purpose inputs occurs). As shown in [Table 3-14](#), the number of address bits enabled on the AEMIF is selectable from 0 to 16 at boot time, see notes above for additional support of up-to 23 address lines.

Table 3-14. AECFG (Async EMIF Configuration) Coding at Boot Time

| 000 | 001 | 010 | 100 | 101 | 110 |
|----------|----------|----------|----------|----------|----------|
| GPIO[65] | EM_A[14] | EM_BA[0] | GPIO[65] | EM_A[14] | EM_BA[0] |
| GPIO[66] | EM_BA[1] | EM_BA[1] | GPIO[66] | EM_BA[1] | EM_BA[1] |
| GPIO[67] | EM_A[0] | EM_A[0] | GPIO[67] | EM_A[0] | EM_A[0] |
| EM_A[1] | EM_A[1] | EM_A[1] | EM_A[1] | EM_A[1] | EM_A[1] |
| EM_A[2] | EM_A[2] | EM_A[2] | EM_A[2] | EM_A[2] | EM_A[2] |
| GPIO[68] | EM_A[3] | EM_A[3] | GPIO[68] | EM_A[3] | EM_A[3] |
| GPIO[69] | EM_A[4] | EM_A[4] | GPIO[69] | EM_A[4] | EM_A[4] |
| GPIO[70] | EM_A[5] | EM_A[5] | GPIO[70] | EM_A[5] | EM_A[5] |
| GPIO[71] | EM_A[6] | EM_A[6] | GPIO[71] | EM_A[6] | EM_A[6] |
| GPIO[72] | EM_A[7] | EM_A[7] | GPIO[72] | EM_A[7] | EM_A[7] |
| GPIO[73] | EM_A[8] | EM_A[8] | GPIO[73] | EM_A[8] | EM_A[8] |
| GPIO[74] | EM_A[9] | EM_A[9] | GPIO[74] | EM_A[9] | EM_A[9] |
| GPIO[75] | EM_A[10] | EM_A[10] | GPIO[75] | EM_A[10] | EM_A[10] |
| GPIO[76] | EM_A[11] | EM_A[11] | GPIO[76] | EM_A[11] | EM_A[11] |
| GPIO[77] | EM_A[12] | EM_A[12] | GPIO[77] | EM_A[12] | EM_A[12] |
| GPIO[78] | EM_A[13] | EM_A[13] | GPIO[78] | EM_A[13] | EM_A[13] |
| GPIO[57] | GPIO[46] | GPIO[46] | EM_D[8] | EM_D[8] | EM_D[8] |
| GPIO[58] | GPIO[47] | GPIO[47] | EM_D[9] | EM_D[9] | EM_D[9] |
| GPIO[59] | GPIO[48] | GPIO[48] | EM_D[10] | EM_D[10] | EM_D[10] |
| GPIO[60] | GPIO[49] | GPIO[49] | EM_D[11] | EM_D[11] | EM_D[11] |
| GPIO[61] | GPIO[50] | GPIO[50] | EM_D[12] | EM_D[12] | EM_D[12] |
| GPIO[62] | GPIO[51] | GPIO[51] | EM_D[13] | EM_D[13] | EM_D[13] |
| GPIO[63] | GPIO[52] | GPIO[52] | EM_D[14] | EM_D[14] | EM_D[14] |
| GPIO[64] | GPIO[53] | GPIO[53] | EM_D[15] | EM_D[15] | EM_D[15] |

3.7.5.2 AEMIF Timing Configuration

When AEMIF is enabled, the wait state registers are reset to the slowest possible configuration, which is 88 cycles per access (16 cycles of setup, 64 cycles of strobe, and 8 cycles of hold). Thus, with a 24 MHz clock at MXI/MXO, the AEMIF is configured to run at (12 MHz/ 88) which equals approximately 136.36 kHz.

3.7.6 Oscillator Frequency Configuration

The oscillator input pins, MXI1, MXO, are designed to operate in two frequency ranges depending on the GIO81(OSCCFG) pin sampled at reset, which should be set according to the required input frequency of operation. See [Table 3-15](#) for details.

Table 3-15. Operation Frequency

| MODE | GIO81 (OSCCFG) | OSCILLATION |
|------|----------------|-------------|
| 1 | 0 | 15 - 35MHz |
| 2 | 1 | 30 - 40MHz |

The frequency selection pin cannot be changed dynamically while the oscillator is running. They should only be set once before oscillator startup.

The GIO81(OSCCFG) state is latched during reset, and it specifies the oscillation frequency mode as shown in [Table 3-15](#).

3.8 Debugging Considerations

3.8.1 Pullup/Pulldown Resistors

Proper board design should ensure that input pins to the DMSoC device always be at a valid logic level and not floating. This may be achieved via pullup/pulldown resistors. The DMSoC features internal pullup (IPU) and internal pulldown (IPD) resistors on most pins to eliminate the need, unless otherwise noted, for external pullup/pulldown resistors.

An external pullup/pulldown resistor needs to be used in the following situations:

- *Boot and Configuration Pins:* If the pin is both routed out and 3-stated (not driven), an external pullup/pulldown resistor is **strongly recommended**, even if the IPU/IPD matches the desired value/state.
- *Other Input Pins:* If the IPU/IPD *does not* match the desired value/state, use an external pullup/pulldown resistor to pull the signal to the opposite rail.

For the boot and configuration pins, if they are both routed out and 3-stated (not driven), it is **strongly recommended** that an external pullup/pulldown resistor be implemented. Although, internal pullup/pulldown resistors exist on these pins and they may match the desired configuration value, providing external connectivity can help ensure that valid logic levels are latched on these device boot and configuration pins. In addition, applying external pullup/pulldown resistors on the boot and configuration pins adds convenience to the user in debugging and flexibility in switching operating modes.

Tips for choosing an external pullup/pulldown resistor:

- Consider the total amount of current that may pass through the pullup or pulldown resistor. Make sure to include the leakage currents of all the devices connected to the net, as well as any internal pullup or pulldown resistors.
- Decide a target value for the net. For a pulldown resistor, this should be below the lowest V_{IL} level of all inputs connected to the net. For a pullup resistor, this should be above the highest V_{IH} level of all inputs on the net. A reasonable choice would be to target the V_{OL} or V_{OH} levels for the logic family of the limiting device; which, by definition, have margin to the V_{IL} and V_{IH} levels.
- Select a pullup/pulldown resistor with the largest possible value; but, which can still ensure that the net will reach the target pulled value when maximum current from all devices on the net is flowing through the resistor. The current to be considered includes leakage current plus, any other internal and external pullup/pulldown resistors on the net.
- For bidirectional nets, there is an additional consideration which sets a lower limit on the resistance value of the external resistor. Verify that the resistance is small enough that the weakest output buffer can drive the net to the opposite logic level (including margin).
- Remember to include tolerances when selecting the resistor value.
- For pullup resistors, also remember to include tolerances on the DV_{DD} rail.

For most systems, a 1-k Ω resistor can be used to oppose the IPU/IPD while meeting the above criteria. Users should confirm this resistor value is correct for their specific application.

For most systems, a 20-k Ω resistor can be used to compliment the IPU/IPD on the boot and configuration pins while meeting the above criteria. Users should confirm this resistor value is correct for their specific application.

For more detailed information on input current (I_I), and the low-/high-level input voltages (V_{IL} and V_{IH}) for the device, see [Section 5.2, Recommended Operating Conditions](#).

For the internal pullup/pulldown resistors for all device pins, see the peripheral/system-specific terminal functions table.

4 System Interconnect

The device uses a 64-bit crossbar architecture to control access between device processors, subsystems and peripherals. There are eleven transfer masters (TCs have separate read and write connections) connected to the crossbar; ARM, the Video Processing Subsystem (VPSS), the master peripherals (USB, EMAC, HPI), and four EDMA transfer controllers. These can be connected to seven separate slave ports; ARM, the DDR EMIF, CFG bus peripherals, MJCP, and HDVICP. Not all masters may connect to all slaves. Connection paths are indicated by √ at intersection points shown in [Table 4-1](#).

Table 4-1. System Connection Matrix

| DMA Master | SLAVE MODULE | | | | |
|---|---------------------|------------------------------|-----------------------------------|---------------------------------|-----------------|
| | ARM Internal Memory | MPEG/JPEG Coprocessor Memory | HD Video Image Coprocessor Memory | Config Bus Registers and Memory | DDR EMIF Memory |
| ARM | √ | √ | √ | √ | √ |
| VPSS | | | √ | | √ |
| DMA Master Peripherals (USB, EMAC, HPI) | √ | | | | √ |
| EDMA3TC0 | √ | √ | √ | √ | √ |
| EDMA3TC1 | √ | √ | √ | √ | √ |
| EDMA3TC2 | √ | √ | √ | √ | √ |
| EDMA3TC3 | √ | √ | √ | √ | √ |

5 Device Operating Conditions

5.1 Absolute Maximum Ratings Over Operating Case Temperature Range (Unless Otherwise Noted) ⁽¹⁾ ⁽²⁾

| | | |
|-----------------------------------|--|------------------|
| Supply voltage ranges | All 1.35-V supplies | -0.3 V to 1.6 V |
| | All 1.8 V supplies | -0.3 V to 2.45 V |
| | All 3.3 V supplies | -0.3 V to 3.8 V |
| Input voltage ranges | All 1.8 V I/Os | -0.5 V to 2.6 V |
| | All 3.3 V I/Os | -0.5 V to 3.8 V |
| | USB_VBUS | 0 V to 5.5 V |
| Operating case temperature ranges | Commercial Temperature T_c | 0°C to 85 °C |
| | Extended Temperature [D version devices] T_c | -40°C to 85 °C |
| Storage temperature ranges | T_{stg} | -55°C to 150°C |

- (1) Stresses beyond those listed under "absolute maximum ratings" may cause permanent damage to the device. These are stress ratings only, and functional operation of the device at these or any other conditions beyond those indicated under "recommended operating conditions" is not implied. Exposure to absolute-maximum-rated conditions for extended periods may affect device reliability.
- (2) All voltage values are with respect to V_{SS} .

5.2 Recommended Operating Conditions

| | NAME | DESCRIPTION | MIN | NOM | MAX | UNIT | |
|------------------------|--------------------------------|--|-----------------|-----------------------|---------|-----------|---|
| Supply Voltage | C _{VDD} | Core Supply Voltage | 432-MHz devices | 1.28 | 1.35 | 1.42 | V |
| | V _{DD12_PRTCSS} | PRTCSS Oscillator and PRTCSS Core Supply Voltage | 432-MHz devices | 1.28 | 1.35 | 1.42 | V |
| | V _{DDA12_DAC} | 1.2-V DAC Supply Voltage | 432-MHz devices | 1.28 | 1.35 | 1.42 | V |
| | V _{PP} ⁽¹⁾ | VPP Supply Voltage | 432-MHz devices | 1.28 | 1.35 | 1.42 | V |
| | V _{DDS18} | 1.8-V Supply Voltage | | | | | |
| | V _{DD18_PRTCSS} | 1.8-V PWR CTRL Supply Voltage | | | | | |
| | V _{DDMXI} | 1.8-V System Oscillator Supply Voltage | | | | | |
| | V _{DD18_DDR} | 1.8-V DDR2 Supply Voltage | | | | | |
| | V _{DDA18_PLL} | 1.8-V PLL Supply Voltage | | 1.71 | 1.8 | 1.89 | V |
| | V _{DDA18_USB} | 1.8-V USB Supply Voltage | | | | | |
| | V _{DDA18_VC} | 1.8-V Voice CODEC Supply Voltage | | | | | |
| | V _{DDA18_USB} | 1.8-V USB Supply Voltage | | | | | |
| | V _{DDA18_ADC} | 1.8-V ADC Supply Voltage | | | | | |
| | V _{DDA18_DAC} | 1.8-V DAC Supply Voltage | | | | | |
| | V _{DD_AEMIF1_18_33} | 1.8/3.3-V switchable EMIF1 Supply Voltage | | | | | |
| | V _{DD_AEMIF2_18_33} | 1.8/3.3-V switchable EMIF2 Supply Voltage | | 1.71/3.14 | 1.8/3.3 | 1.89/3.46 | V |
| | V _{DD_ISIF18_33} | 1.8/3.3-V switchable ISIF Supply Voltage | | | | | |
| | V _{DDS33} | 3.3-V Supply Voltage | | | | | |
| | V _{DDA33_USB} | 3.3-V USB Supply Voltage | | 3.14 | 3.3 | 3.46 | V |
| | V _{DDA33_VC} | 3.3-V Voice CODEC Supply Voltage | | | | | |
| Supply Ground | V _{SS} | Core, USB Digital ground | | | | | |
| | V _{SS_MX1} | OSC (MX1) ground ⁽²⁾ | | | | | |
| | V _{SS_32K} | OSC (32K) ground ⁽²⁾ | | | | | |
| | V _{SSA} | PLL ground ⁽³⁾ | | | | | |
| | V _{SSA18_USB} | USB ground | | | | | |
| | V _{SSA33_USB} | 3.3-V USB ground | | 0 | 0 | 0 | V |
| | V _{SSA33_VC} | 3.3-V Voice CODEC ground | | | | | |
| | V _{SSA18_VC} | 1.8-V Voice CODEC ground | | | | | |
| | V _{SSA_ADC} | ADC ground | | | | | |
| | V _{SSA18_DAC} | 1.8-V DAC ground | | | | | |
| V _{SSA12_DAC} | 1.2-V DAC ground | | | | | | |
| Voltage Input High | V _{IH} | High-level input voltage ⁽⁴⁾ , excludes switchable I/O (3.3V I/O) | | 2 | | V | |
| | | High-level input voltage, non-DDR2 I/O, excludes switchable I/O (1.8V I/O) | | 0.7V _{DDS18} | | V | |

(1) For proper device operation, this pin must always be connected to C_{VDD}.

(2) Oscillator ground must be kept separate from other grounds and connected directly to the crystal load capacitor ground (see [Section 6.6.1](#)).

(3) For proper device operation, keep this pin separate from digital ground.

(4) These I/O specifications apply to regular 3.3 V I/Os and do not apply to DDR2/mDDR, USB I/Os. DDR2/mDDR I/Os are 1.8 V I/Os and adhere to JESD79-2A standard, USB I/Os adhere to USB2.0 spec.

| | NAME | DESCRIPTION | | MIN | NOM | MAX | UNIT |
|---------------------------|-----------------------------|--|--|-------------------------------|--------|-------|--------|
| | V _{IH12RTC} | High-level input voltage I/O (1.35-V) (PWRCNT/PWRST/RTCXI/RTCXO) | | 0.75*VDD1 2_PRTCS S | | | V |
| | V _{IH1833} | High-level switchable input voltage ⁽⁴⁾ (VDD_AEMIF1_18_33, VDD_AEMIF2_18_33, VDD_ISIF_18_33 powered I/Os) ⁽⁵⁾⁽⁶⁾⁽⁷⁾⁽⁸⁾ | 3.3V I/O mode 1.8V I/O mode | 2 0.7V _{DD18} | | | V |
| Voltage Input Low | V _{IL} | Low-level input voltage ⁽⁴⁾ , excludes switchable I/O (3.3V I/O) | | 0.8 | | | V |
| | | Low-level input voltage ⁽⁴⁾ , non-DDR2 I/O, excludes switchable I/O (1.8V I/O) | | 0.3*VDD18 | | | V |
| | V _{IL12RTC} | RTC Low-level input voltage ⁽⁴⁾ (1.35V I/O) | | 0.25*VDD1 2_PRTCS S | | | V |
| | V _{IL1833} | Low-level switchable input voltage ⁽⁴⁾ (VDD_AEMIF1_18_33, VDD_AEMIF2_18_33, VDD_ISIF_18_33 powered I/Os) | 3.3V I/O mode 1.8V I/O mode | 0.8 0.3*VDD18 | | | V |
| V _{REF} | | DAC reference voltage | | 475 | 500 | 525 | mV |
| HD 3CH DAC ⁽⁹⁾ | R _{BIAS} | DAC full-scale current adjust resistor | | 2376 | 2400 | 2424 | Ω |
| | R _{LOAD_X} | Output resistor | | 74.25 | 75 | 75.75 | Ω |
| | C _{BG} | Bypass capacitor | | 0.1 | | | μF |
| | Video Buffer ⁽⁹⁾ | R _{OUT} | Output resistor (ROUT), between TVOUT and VFB pins | | 2128.5 | 2150 | 2171.5 |
| R _{FEB} | | Feedback resistor, between VFB and IDACOUT pins. | | 2079 | 2100 | 2121 | |
| R _{BIAS} | | Full-scale current adjust resistor | | 2400 | | | Ω |
| C _{BG} | | Bypass capacitor | | 0.1 | | | μF |
| USB | USB_VBUS | USB external charge pump input | | 0 | 5.25 | | V |
| | V _{DDA12LDO_USB} | Internal LDO output ⁽¹⁰⁾ | | 0.22 | | | μF |
| Voice Codec | f _s | Sampling frequency | | 8 | 16 | | kHz |
| | - | System clock | | 256f _s | | | kHz |
| ADC | F _{SCLK} | SCLK frequency | | 2 | | | MHz |
| Temperature | T _c | Operating case temperature range | Default Temperature | 0 | 85 | | °C |
| | | | Extended Temperature [D version devices] | -40 | 85 | | °C |

- (5) V_{DD_AEMIF1_18_33} : can be used as a power supply for EM_A[3:13], EM_BA0, EM_BA1, EM_CE[0], EM_ADV, EM_CLK, EM_D[8:15] pins, Keyscan, or GPIO pins.
- (6) V_{DD_AEMIF2_18_33} : can be used as a power supply for EM_A[0:2], EM_CE[1], EM_WE, EM_OE, EM_WAIT, EM_D[0:7] pins, HPI, Keyscan, or GPIO pins.
- (7) **Example 1:** V_{DD_AEMIF2_18_33} at 1.8-V for 8-bit NAND V_{DD_AEMIF1_18_33} at 3.3-V for GPIO.
Example 2: V_{DD_AEMIF1_18_33} and V_{DD_AEMIF2_18_33} at 1.8-V for 16-bit NAND.
- (8) V_{DD_ISIF_18_33} : can be used as a power supply for VPFE pins (CIN[7:0], YIN[7:0], C_WE_FIELD, PCLK), or SPI3 (SPI3_SCLK, SPI3_SIMO, SPI3_SCS[0], SPI3_SCS[1]) or USBDRVVBUS or GPIO pins.
- (9) See Section 6.12.2.4. Also, resistors should be E-96 spec line (3 digits with 1% accuracy).
- (10) For proper device operation, this pin must be connected to a 0.22μF capacitor to V_{DDA12LDO_USB}.

5.3 Electrical Characteristics Over Recommended Ranges of Supply Voltage and Operating Case Temperature (Unless Otherwise Noted)

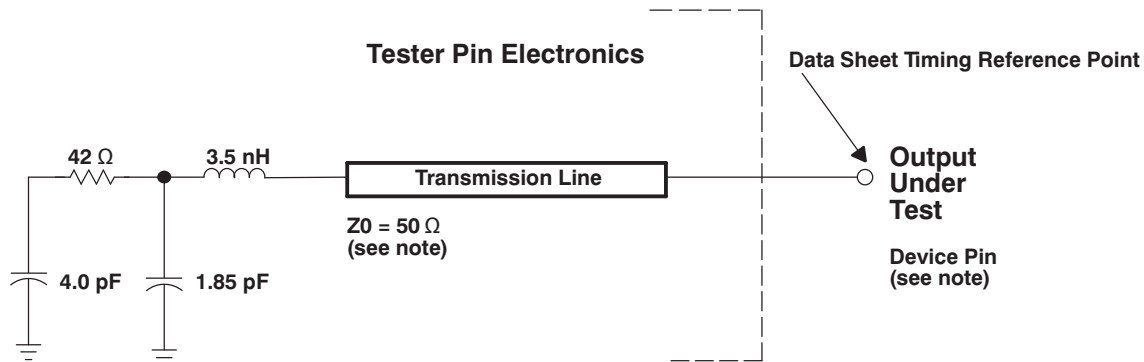
| PARAMETER | | TEST CONDITIONS ⁽¹⁾ | MIN | TYP | MAX | UNIT | |
|-------------------------------|--------------------------------|---|--|---------------------------|-------|------------------|-----|
| Voltage Output ⁽²⁾ | V _{OH} | High-level output voltage (3.3V I/O) | V _{DDS33} = MIN, I _{OH} = -2mA | 2.4 | | V | |
| | | High-level output voltage (3.3V I/O) | V _{DDS33} = MIN, I _{OH} = -100μA | 2.94 | | | |
| | | High-level output voltage (1.8V I/O) | V _{DDS18} = MIN, I _{OH} = -2mA | V _{DDS18} - 0.45 | | | |
| | V _{OL} | Low-level output voltage (3.3V I/O) | V _{DDS33} = MIN, I _{OL} = 2mA | | | 0.4 | V |
| | | Low-level output voltage (3.3V I/O) | V _{DDS33} = MIN, I _{OL} = 100μA | | | 0.2 | |
| | | Low-level output voltage (1.8V I/O) | V _{DDS18} = MIN, I _{OH} = 2mA | | | 0.45 | |
| Current Input/Output | I _I | Input current for I/O without internal pull-up/pull-down | V _I = V _{SS} to V _{DD} | | | ±10 | |
| | I _{I(pullup)} | Input current for I/O with internal pull-up ⁽³⁾ ⁽⁴⁾ | V _I = V _{SS} to V _{DD} | | 100 | μA | |
| | I _{I(pulldown)} | Input current for I/O with internal pull-down ⁽³⁾ ⁽⁴⁾ | V _I = V _{SS} to V _{DD} | | -100 | | |
| | I _{OH} | High-level output current | All peripherals | | -4000 | | |
| | I _{OL} | Low-level output current | All peripherals | | 4000 | | |
| | I _{OZ} ⁽⁵⁾ | I/O off-state output current | V _O = V _{DD} or V _{SS} (internal pull disabled) | | | | ±20 |
| Capacitance | C _I | Input capacitance | | 4 | | | pF |
| | C _O | Output capacitance | | 4 | | | |
| HD 3CH DAC | Resolution | Resolution | | 10 | | Bits | |
| | INL | Integral non-linearity, best fit | R _{LOAD} = 75 Ω (video buffer disabled) | -1.5 | | 1.5 | LSB |
| | DNL | Differential non-linearity | R _{LOAD} = 75 Ω (video buffer disabled) | -1 | | 1 | LSB |
| | V _{OUT} | Output compliance range | IFS = 6.67 mA, R _{LOAD} = 75 Ω | 0 | | V _{REF} | V |
| | Z _{SET} | Zero Scale Offset Error | | | | 0.5 | % |
| | G_ERR | Gain Error | | -5 | | 5 | % |
| | Ch_match | Channel matching | | | +/-2 | | % |
| Video Buffer | V _{OH(VIDBUF)} | Output high voltage (top of 75% NTSC or PAL colorbar) | | 1.35 | | V | |
| | V _{OL(VIDBUF)} | Output low voltage (bottom of sync tip) | | 0.35 | | | |
| | RES | Resolution | | | 10 | bits | |
| | V _{OUT} | Output Voltage | R _{LOAD} = 75 Ω | 0.35 | | 1.35 | V |

- (1) For test conditions shown as MIN, MAX, or NOM, use the appropriate value specified in the recommended operating conditions table.
- (2) These I/O specifications apply to regular 3.3 V and 1.8V I/Os and do not apply to DDR2/mDDR, USB I/Os. DDR2/mDDR I/Os are 1.8 V I/Os and adhere to JESD79-2A standard, USB I/Os adhere to USB2.0 spec.
- (3) This specification applies only to pins with an internal pullup (PU) or pulldown (PD). See or [Section 2.8](#) for pin descriptions.
- (4) To pull up a signal to the opposite supply rail, a 1 kΩ resistor is recommended.
- (5) I_{OZ} applies to output only pins, indicating off-state (Hi-Z) output leakage current.

| PARAMETER | | TEST CONDITIONS ⁽¹⁾ | MIN | TYP | MAX | UNIT | |
|-------------------------------------|------------------------------|---|--------------------------------|---------------------|-----|------------------|-------------------|
| MIC in to ADC (gain = 20 dB) | | | | | | | |
| Voice Codec | V _{mic} | Full scale input | | 0.063 | | V _{rms} | |
| | GeAD | Gain error | | 0 | | dB | |
| | V _{com} | Common voltage | | 0.9 | | V | |
| | | THD + N | -1db, 1kHz | | -62 | | dB |
| | | DNR | A-weighted | | 70 | | dB |
| | | SNR | A-weighted | | 67 | | dB |
| | | Input resistance | | | 10 | | kΩ |
| | | Input capacitance | | | 10 | | pF |
| | DAC-to-Line Output | | | | | | |
| | | Full scale output | | | 0.8 | | V _{rms} |
| | | Gain error | | | 0 | | dB |
| | | Common voltage | | | 1.5 | | V |
| | | THD + N | | | -60 | | dB |
| | | DNR | A-weighted | | 70 | | dB |
| | | SNR | A-weighted | | 70 | | dB |
| | | Load resistance | | 10 | | | kΩ |
| | | Load capacitance | | | | 20 | pF |
| | DAC-to-Speaker Output | | | | | | |
| | | Output power | R _L = 8Ω, THD = 10% | | 240 | | mW |
| | | Output noise | A-weighted | | 120 | | μV _{rms} |
| | Load resistance | | 8 | | | Ω | |
| | Load capacitance | | | | 50 | pF | |
| Decimation filter in ADC | | | | | | | |
| | Pass band | | | 0.375f _s | | kHz | |
| | Pass band ripple | | | +/- 0.2 | | dB | |
| | Stop band | | | 0.562f _s | | kHz | |
| | Stop band attenuation | | | 40 | | dB | |
| | HPF cutoff frequency | | | 1.25mfs | | Hz | |
| Interpolation filter in DAC | | | | | | | |
| | Pass band | | | 0.437f _s | | kHz | |
| | Pass band ripple | | | +/- 0.2 | | dB | |
| | Stop band | | | 0.562f _s | | kHz | |
| | Stop band attenuation | | | 40 | | dB | |
| ADC | DNL | Static differential non-linearity error | F _{SCLK} = 2MHz | -1 | 2.5 | LSB | |
| | INL | Static integral non-linearity error | F _{SCLK} = 2MHz | -3 | 3 | LSB | |
| | Z _{SET} | Zero scale offset error | | -6 | 6 | LSB | |
| | F _{SET} | Full scale offset error | | -6 | 6 | LSB | |

6 Peripheral Information and Electrical Specifications

6.1 Parameter Information Device-Specific Information



- A. The data sheet provides timing at the device pin. For output timing analysis, the tester pin electronics and its transmission line effects must be taken into account. A model of the tester pin electronics is shown in Figure 6-1. A transmission line with a delay of 2 ns or longer can be used to produce the desired transmission line effect. The transmission line is intended as a load only. It is not necessary to add or subtract the transmission line delay (2 ns or longer) from the data sheet timings. Input requirements in this data sheet are tested with an input slew rate of < 4 Volts per nanosecond (4 V/ns) at the device pin and the input signals are driven between 0V and the appropriate I/O supply for the signal.

Figure 6-1. Test Load Circuit for AC Timing Measurements

The load capacitance value stated is only for characterization and measurement of AC timing signals. This load capacitance value does not indicate the maximum load the device is capable of driving.

6.1.1 Signal Transition Levels

All input and output timing parameters are referenced to V_{ref} for both "0" and "1" logic levels. For 3.3 V I/O, $V_{ref} = 1.65$ V. For 1.8 V I/O, $V_{ref} = 0.9$ V.

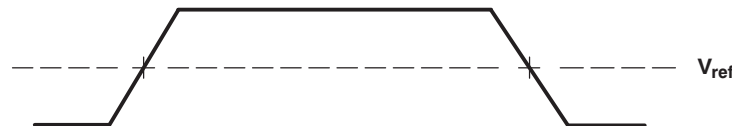


Figure 6-2. Input and Output Voltage Reference Levels for AC Timing Measurements

All rise and fall transition timing parameters are referenced to $V_{IL\ MAX}$ and $V_{IH\ MIN}$ for input clocks, $V_{OL\ MAX}$ and $V_{OH\ MIN}$ for output clocks.

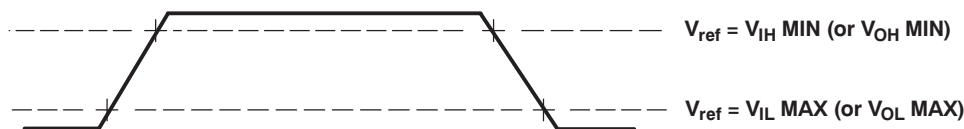


Figure 6-3. Rise and Fall Transition Time Voltage Reference Levels

6.1.2 Timing Parameters and Board Routing Analysis

The timing parameter values specified in this data sheet do *not* include delays by board routings. As a good board design practice, such delays must *always* be taken into account. Timing values may be adjusted by increasing/decreasing such delays. TI recommends utilizing the available I/O buffer information specification (IBIS) models to analyze the timing characteristics correctly. To properly use IBIS models to attain accurate timing analysis for a given system, see the *Using IBIS Models for Timing Analysis* Application Report (literature number [SPRA839](#)). If needed, external logic hardware such as buffers may be used to compensate any timing differences.

6.2 Recommended Clock and Control Signal Transition Behavior

All clocks and control signals should transition between V_{IH} and V_{IL} (or between V_{IL} and V_{IH}) in a monotonic manner.

6.3 Power Supplies

The power supplies are summarized in [Table 6-1](#).

Table 6-1. Power Supplies

| CUSTOMER BOARD SUPPLY | TOLERANCE | PACKAGE PLANE | DEVICE PLANE | DESCRIPTION |
|-----------------------|-----------|-----------------|------------------------------|--|
| 1.35V | ±5% | 1.35V | CV _{DD} | Core power supply |
| | | | V _{DD12_PRTCSS} | RTC oscillator power supply |
| | | | | PWR CTRL power supply |
| | | | | PWR CTRL 1.35-V I/O power supply |
| | | | V _{DDA12_DAC} | DAC 1.35-V analog power supply |
| | | V _{PP} | V _{PP} power supply | |
| 1.8 V | ±5% | 1.8 V | V _{DD18_PRTCSS} | PWR CTRL 1.8-V power supply |
| | | | V _{DDMX1} | MX11 (oscillator) 1.8-V power supply |
| | | | V _{DD18_SLDO} | Power supply for internal RAM For proper device operation, this pin must be connected to V _{DDS18} . |
| | | | V _{DD18_DDR} | 1.8-V DDR2 Supply Voltage |
| | | | V _{DDA18_PLL} | 1.8-V PLL Analog Supply Voltage |
| | | | V _{DDA18_USB} | 1.8-V USB Analog Supply Voltage |
| | | | V _{DDA18_VC} | 1.8-V Voice Codec Module Analog Supply Voltage |
| | | | V _{DDA18_DAC} | 1.8-V DAC Analog Supply Voltage |
| | | | V _{DDS18} | 1.8-V Supply Voltage |
| | | | V _{DDA18_ADC} | 1.8-V ADC Supply Voltage |
| 3.3 V | ±5% | 3.3 V | V _{DDS33} | 3.3-V I/O Supply Voltage |
| | | | V _{DDA33_USB} | 3.3-V USB Analog Supply Voltage |
| | | | V _{DDA33_VC} | 3.3-V Voice Codec Module Analog Supply Voltage |
| 1.8/3.3 V | ±5% | 1.8/3.3 V | V _{DD_AEMIF1_18_33} | Switchable 3.3/1.8-V EMIF1 Supply Voltage ⁽¹⁾ Note: Power supply is switchable for AEMIF and its multiplexed peripherals (3.3/1.8 V) ⁽²⁾ . |
| | | | V _{DD_AEMIF2_18_33} | Switchable 3.3/1.8-V EMIF2 Supply Voltage ⁽³⁾ Note: Power supply is switchable for AEMIF and its multiplexed peripherals (3.3/1.8 V) ⁽²⁾ . |
| | | | V _{DD_ISIF18_33} | Switchable 3.3/1.8-V ISIF Supply Voltage ⁽⁴⁾ Note: Power supply is switchable for ISIF and its multiplexed peripherals (3.3V/1.8V) ⁽⁵⁾ . |
| 0 V | | 0 V | V _{SS_MX1} | Oscillator (MX11) ground Note: For proper device operation, connect to external crystal capacitor ground and must be kept separate from other grounds. |
| 0 V | | 0 V | V _{SS_32K} | Oscillator (32K) ground Note: For proper device operation, connect to external crystal capacitor ground and must be kept separate from other grounds. |
| 0 V | | 0 V | V _{SS} | Ground |

(1) V_{DD_AEMIF1_18_33}: can be used as a power supply for EM_A[3:13], EM_BA0, EM_BA1, $\overline{\text{EM_CE}}[0]$, EM_ADV, EM_CLK, EM_D[8:15] pins, Keyscan, or GPIO pins.

(2) **Example 1:** V_{DD_AEMIF2_18_33} at 1.8-V for 8-bit NAND V_{DD_AEMIF1_18_33} at 3.3-V for GPIO.
Example 2: V_{DD_AEMIF1_18_33} and V_{DD_AEMIF2_18_33} at 1.8-V for 16-bit NAND.

(3) V_{DD_AEMIF2_18_33}: can be used as a power supply for EM_A[0:2], $\overline{\text{EM_CE}}[1]$, $\overline{\text{EM_WE}}$, $\overline{\text{EM_OE}}$, EM_WAIT, EM_D[0:7] pins, HPI, Keyscan, or GPIO pins.

(4) V_{DD_ISIF_18_33}: can be used as a power supply for VPFE pins (CIN[7:0], YIN[7:0], C_WE_FIELD, PCLK), or SPI3 (SPI3_SCLK, SPI3_SIMO, SPI3_SCS[0], SPI3_SCS[1]) or USBDRVVBUS or GPIO pins.

(5) **Example 1** V_{DD_ISIF_18_33} power supply can be at 1.8V for VPFE pin functionality or it can be at 3.3V if other peripherals pin functionality is to be used like SPI3 or GPIO or CLKOUT0, or USBDRVVBUS.

Table 6-1. Power Supplies (continued)

| CUSTOMER BOARD SUPPLY | TOLERANCE | PACKAGE PLANE | DEVICE PLANE | DESCRIPTION |
|----------------------------|-----------|----------------------------|------------------------|---|
| 0 V | | 0 V | V _{SSA} | PLL ground Note: For proper device operation, keep separate from digital ground V _{SS} . |
| 0 V | | 0 V | V _{SSA18_USB} | USB ground |
| 0 V | | 0 V | V _{SSA33_USB} | 3.3-V USB ground |
| 0 V | | 0 V | V _{SSA33_VC} | 3.3-V Voice Codec Module ground |
| 0 V | | 0 V | V _{SSA18_VC} | 1.8-V Voice Codec Module ground |
| 0 V | | 0 V | V _{SSA_ADC} | Analog-to-digital converter (ADC) ground |
| 0 V | | 0 V | V _{SSA18_DAC} | 1.8-V DAC ground |
| 0 V | | 0 V | V _{SSA12_DAC} | 1.2-V DAC ground |
| V _{DD18_DDR} *0.5 | | V _{DD18_DDR} *0.5 | DDR_VREF | DRR reference voltage (V _{DD5} divided by 2, through board resistors) |
| 0.5V | ±5% | | V _{REF} | DAC reference voltage |
| 5.25V | | | USB_VBUS | VBUS |

6.4 Power-Supply Sequencing

In order to ensure device reliability, the device requires the following power supply power-on and power-off sequences. See [Section 5.2, Recommended Operating Conditions](#), for a description of the power supplies.

- The following power sequences are recommended to prevent damage to the device.
- The PRTCSS core must always be powered-on and powered-off regardless of whether the PRTCSS feature is used.
- If the PRTCSS sequencer is to be used in any PRTCSS modes, please refer to the *TMS320DM36x PRTCSS User's Guide* (literature number [SPRUFJ0](#)) for more details on the differences to the power sequence.

6.4.1 Simple Power-On and Power-Off Method

The following steps must be followed in sequential order for the simple power-on method:

1. Power on the PRTCSS/ Main core (1.35-V).
2. Power on the PRTCSS/Main I/O (1.8-V).
3. Power on the Main/Analog I/O (3.3-V).

Note for simple power-on: RESET must be low until all supplies are ramped up.

The following steps should be followed for the simple power-off method:

1. Power off the Main/Analog I/O (3.3-V).
2. Power off the PRTCSS/Main I/O (1.8-V).
3. Power off the PRTCSS/Main core (1.35-V).

Notes for simple power-off:

- If RESET is low, steps 2 and 3 may be performed simultaneously.
- If RESET is **not** low, these steps **must** be followed sequentially.

6.4.2 Restricted Power-On and Power-Off Method

The following steps should be followed for the restricted power-on method:

1. Power on the PRTCSS/ Main core (1.35-V).
2. Power on the PRTCSS/Main I/O (1.8-V).
3. Power on the Main/Analog I/O (3.3-V).

Notes for restricted power-on:

- RESET must be low until all supplies are ramped up.
- Steps 1, 2, and 3 may be performed simultaneously if the Main core finishes ramping up before the I/Os **and** the maximum delta voltage difference between the 1.8-V and 3.3-V I/Os is 2.0-V until the 1.8-V I/O reaches the full voltage.

The following steps should be followed for the restricted power-off method:

1. Power off Main/Analog I/O (3.3-V).
2. Power off PRTCSS/Main I/O (1.8-V).
3. Power off PRTCSS/Main core (1.35-V).

Notes for restricted power-off:

- The 3.3-/1.8-V I/Os may be powered off simultaneously if the maximum delta voltage difference between them is 2.0V until the 1.8-V I/O is completely powered off, **and** the PRTCSS/Main core **must be** powered down last.

When booting the DM368 from OneNAND, you must ensure that the OneNAND device is ready with valid program instructions before the DM368 attempts to read program instructions from it. In particular, before you release the device's reset, you must allow time for OneNAND device power to stabilize and for the OneNAND device to complete its internal copy routine. During the internal copy routine, the OneNAND device copies boot code from its internal non-volatile memory to its internal boot memory section. Board designers typically achieve this requirement by design of the system power and reset supervisor circuit. Refer to your OneNAND device datasheet for OneNAND power ramp and stabilization times and for OneNAND boot copy times.

6.4.3 Power-Supply Design Considerations

Core and I/O supply voltage regulators should be located close to the device to minimize inductance and resistance in the power delivery path. Additionally, when designing for high-performance applications utilizing the device, the PC board should include separate power planes for core, I/O, and ground, all bypassed with high-quality low-ESL/ESR capacitors.

6.4.4 Power-Supply Decoupling

In order to properly decouple the supply planes from system noise, place as many capacitors (caps) as possible close to the device. These caps need to be close to the power pins, no more than 1.25 cm maximum distance to be effective. Physically smaller caps, such as 0402, are better because of their lower parasitic inductance. Proper capacitance values are also important. Small bypass caps (near 560 pF) should be closest to the power pins. Medium bypass caps (220 nF or as large as can be obtained in a small package) should be next closest. TI recommends no less than 8 small and 8 medium caps per supply be placed immediately next to the BGA vias, using the "interior" BGA space and at least the corners of the "exterior".

Larger caps for each supply can be placed further away for bulk decoupling. Large bulk caps (on the order of 100 uF) should be furthest away, but still as close as possible. Large caps for each supply should be placed outside of the BGA footprint.

Any cap selection needs to be evaluated from a yield/manufacturing point-of-view. As with the selection of any component, verification of capacitor availability over the product's production lifetime should be considered. See also [Section 6.6.1](#) for additional recommendations on power supplies for the oscillator/PLL supplies.

6.5 Reset

6.5.1 Reset Electrical Data/Timing

Table 6-2. Timing Requirements for Reset ⁽¹⁾ ⁽²⁾ ⁽³⁾ (see [Figure 6-4](#))

| NO. | | | DEVICE | | UNIT |
|-----|---------------------------|--|--------|-----|------|
| | | | MIN | MAX | |
| 1 | $t_{w(RES\overline{ET})}$ | Active low width of the $\overline{RES\overline{ET}}$ pulse | 12C | | ns |
| 2 | $t_{su(BOOT)}$ | Setup time, boot configuration pins valid before $\overline{RES\overline{ET}}$ rising edge | 2E | | ns |
| 3 | $t_{h(BOOT)}$ | Hold time, boot configuration pins valid after $\overline{RES\overline{ET}}$ rising edge | 0 | | ns |

- (1) BTSEL[2:0] and AECFG[2:0] are the boot configuration pins during device reset.
- (2) C = MX11/CLKIN cycle time in ns. For example, when MX11/CLKIN frequency is 24 MHz use C = 41.6 ns.
- (3) E = 1/PLL1SYSCLK4 cycle time in ns.

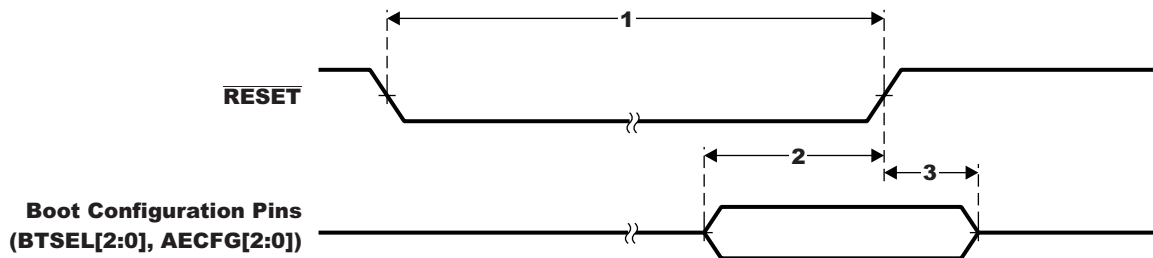


Figure 6-4. Reset Timing

6.6 Oscillators and Clocks

The device has one oscillator input/output pair (MXI1/MXO1) usable with external crystals or ceramic resonators to provide clock inputs. The optimal frequencies for the crystals are 19.2 MHz, 24 MHz, 27 MHz, and 36 MHz. Optionally, the oscillator inputs are configurable for use with external clock oscillators. If external clock oscillators are used, to minimize the clock jitter, a single clean power supply should power both the device and the external oscillator circuit and the minimum CLKIN rise and fall times must be observed. The electrical requirements and characteristics are described in this section.

The timing parameters for CLKOUT[3:1] are also described in this section. The device has three output clock pins (CLKOUT[3:1]). See [Section 3.3](#) for more information on CLKOUT[3:1].

Note: Please ensure that the appropriate oscillator input pin (GIO81/OSCCFG) frequency range setting is set correctly. For more details on this pin setting, see [Section 3.7.6](#).

6.6.1 MXI1 Oscillator

The MXI1 (typically 24 MHz, can also be 19.2 MHz, 27 MHz, or 36 MHz) oscillator provides the primary reference clock for the device. The on-chip oscillator requires an external crystal connected across the MXI1 and MXO1 pins, along with two load capacitors, as shown in [Figure 6-5](#). The external crystal load capacitors **must** be connected only to the oscillator ground pin (V_{SS_MX1}). **Do not** connect to board ground (V_{SS}). Also, the PLL power pin (V_{DDA_PLL1}) should be connected to the power supply through a ferrite bead, L1 in the example circuit shown in [Figure 6-5](#).

Note: If an external oscillator is to be used, the external oscillator clock signal should be connected to the MXI1 pin with a 1.8V amplitude. The MXO1 should be left unconnected and the V_{SS_MX1} signal should be connected to board ground (V_{SS}).

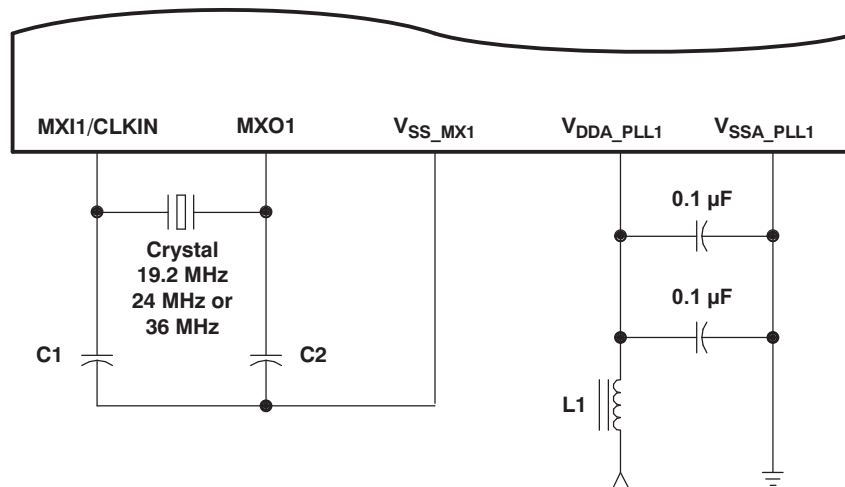


Figure 6-5. MXI1 Oscillator

The load capacitors, C1 and C2, should be chosen such that the equation is satisfied (typical values are $C_1 = C_2 = 10$ pF). C_L in the equation is the load specified by the crystal manufacturer. All discrete components used to implement the oscillator circuit should be placed as close as possible to the associated oscillator pins (MXI1 and MXO1) and to the V_{SS_MX1} pin.

$$C_L = \frac{C_1 C_2}{(C_1 + C_2)}$$

Table 6-3. Switching Characteristics Over Recommended Operating Conditions for System Oscillator

| PARAMETER | | MIN | TYP | MAX | UNIT |
|---|-------------|-----|---------------|-------|----------|
| Start-up time (from power up until oscillating at stable frequency) | | | | 2 | ms |
| Oscillation frequency | | | 19.2/24/27/36 | | MHz |
| Crystal ESR | 19 - 30 MHz | | | 60 | Ω |
| | 30 - 36 MHz | | | 40 | Ω |
| Frequency stability | | | | +/-50 | ppm |

6.6.2 Clock PLL Electrical Data/Timing (Input and Output Clocks)

Table 6-4. Timing Requirements for MXI1/CLKIN1⁽¹⁾ ⁽²⁾ ⁽³⁾ (see Figure 6-6)

| NO | PARAMETER | DEVICE | | | UNIT |
|----|---|--------|-----|--------|------|
| | | MIN | TYP | MAX | |
| 1 | $t_{c(MXI1)}$ Cycle time, MXI1/CLKIN1 | 27.7 | | 52.083 | ns |
| 2 | $t_{w(MXI1H)}$ Pulse duration, MXI1/CLKIN1 high | 0.45C | | 0.55C | ns |
| 3 | $t_{w(MXI1L)}$ Pulse duration, MXI1/CLKIN1 low | 0.45C | | 0.55C | ns |
| 4 | $t_t(MXI1)$ Transition time, MXI1/CLKIN1 | | | .05C | ns |
| 5 | $t_j(MXI1)$ Period jitter, MXI1/CLKIN1 | | | .02C | ns |

- (1) The reference points for the rise and fall transitions are measured at $V_{L\ MAX}$ and $V_{H\ MIN}$.
- (2) C = MXI1/CLKIN1 cycle time in ns. For example, when MXI1/CLKIN1 frequency is 24 MHz use C = 41.6 ns.
- (3) $t_{c(MXI1)} = 52.083$ ns, $t_{c(MXI1)} = 41.6$ ns, $t_{c(MXI1)} = 37.037$ ns, and $t_{c(MXI1)} = 27.7$ ns are the only supported cycle times for MXI1/CLKIN1.

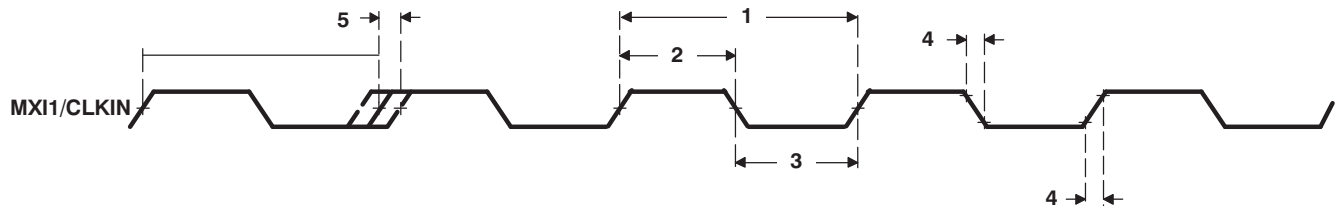


Figure 6-6. MXI1/CLKIN1 Timing

Table 6-5. Switching Characteristics Over Recommended Operating Conditions for CLKOUT0/CLKOUT1⁽¹⁾
⁽²⁾ (see Figure 6-7)

| NO. | PARAMETER | DEVICE | | | UNIT |
|-----|---|--------|-----|------|------|
| | | MIN | TYP | MAX | |
| 1 | $t_{C(CLKOUT0/CLKOUT1)}$ Cycle time, CLKOUT0/CLKOUT1 | 27.7 | | | ns |
| 2 | $t_{W(CLKOUT0H/CLKOUT1H)}$ Pulse duration, CLKOUT0/CLKOUT1 high | .45P | | .55P | ns |
| 3 | $t_{W(CLKOUT0L/CLKOUT1L)}$ Pulse duration, CLKOUT0/CLKOUT1 low | .45P | | .55P | ns |
| 4 | $t_{t(CLKOUT0/CLKOUT1)}$ Transition time, CLKOUT0/CLKOUT1 | | | 3 | ns |
| 5 | $t_{d(MX11H-CLKOUT0H/CLKOUT1H)}$ Delay time, MX11/CLKIN1 high to CLKOUT0/CLKOUT1 high | 1 | | 8 | ns |
| 6 | $t_{d(MX11L-CLKOUT0L/CLKOUT1L)}$ Delay time, MX11/CLKIN1 low to CLKOUT0/CLKOUT1 low | 1 | | 8 | ns |

(1) The reference points for the rise and fall transitions are measured at V_{OL} MAX and V_{OH} MIN.

(2) $P = 1/CLKOUT0/1$ clock frequency in nanoseconds (ns). For example, when CLKOUT1 frequency is 24 MHz use $P = 41.6$ ns.

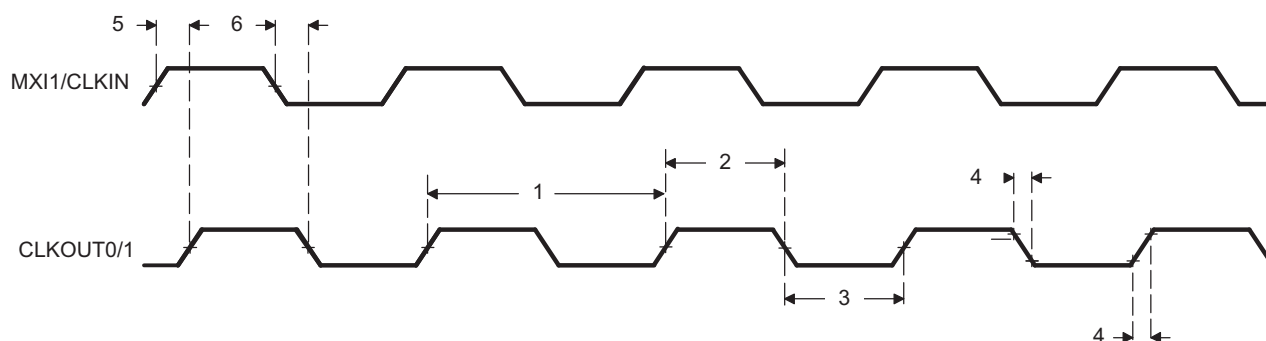


Figure 6-7. CLKOUT1 Timing

Table 6-6. Switching Characteristics Over Recommended Operating Conditions for CLKOUT2⁽¹⁾ ⁽²⁾ (see Figure 6-8)

| NO. | PARAMETER | DEVICE | | | UNIT |
|-----|--|--------|-----|------|------|
| | | MIN | TYP | MAX | |
| 1 | $t_{C(CLKOUT2)}$ Cycle time, CLKOUT2 | 20 | | | ns |
| 2 | $t_{W(CLKOUT2H)}$ Pulse duration, CLKOUT2 high | .45P | | .55P | ns |
| 3 | $t_{W(CLKOUT2L)}$ Pulse duration, CLKOUT2 low | .45P | | .55P | ns |
| 4 | $t_{t(CLKOUT2)}$ Transition time, CLKOUT2 | | | 3 | ns |
| 5 | $t_{d(MX11H-CLKOUT2H)}$ Delay time, MX11/CLKIN1 high to CLKOUT2 high | 1 | | 8 | ns |
| 6 | $t_{d(MX11L-CLKOUT2L)}$ Delay time, MX11/CLKIN1 low to CLKOUT2 low | 1 | | 8 | ns |

(1) The reference points for the rise and fall transitions are measured at V_{OL} MAX and V_{OH} MIN.

(2) $P = 1/CLKOUT2$ clock frequency in nanoseconds (ns). For example, when CLKOUT2 frequency is 8 MHz use $P = 125$ ns.

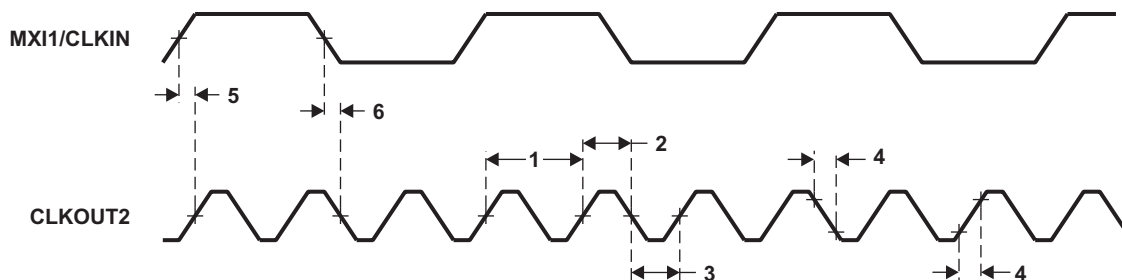


Figure 6-8. CLKOUT2 Timing

6.6.3 PRTCSS Oscillator

The device has an PRTCSS oscillator input/output pair (RTCXI/RTCXO) usable with external crystals or ceramic resonators to provide clock inputs. The optimal frequency for the crystal is 32.768 kHz. The electrical requirements and characteristics are described in this section. Figure 6-9 shows an example circuit.

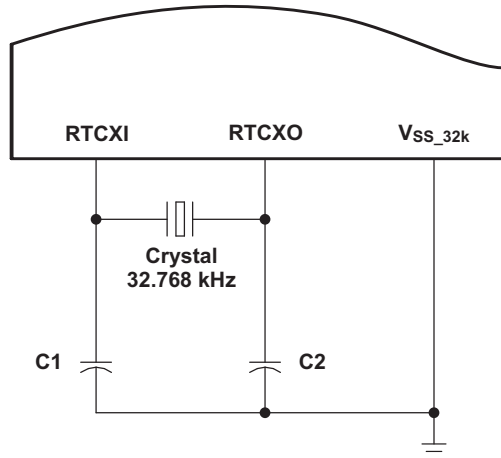


Figure 6-9. RTCXI1 Oscillator

The load capacitors, C1 and C2, should be chosen such that the equation is satisfied (typical values are C1 = C2 = 2 fF). C_L in the equation below is the load specified by the crystal manufacturer. All discrete components used to implement the oscillator circuit should be placed as close as possible to the associated oscillator pins (RTCXI and RTCXO) and to the V_{SS_32K} pin.

$$C_L = \frac{C_1 C_2}{(C_1 + C_2)} \tag{1}$$

6.6.4 PRTCSS Electrical Data/Timing

Table 6-7. Timing Requirements for RTCXI^{(1) (2)} (see Figure 6-6)

| NO. | | DEVICE | | | UNIT |
|-----|---|--------|---------|------|------|
| | | MIN | TYP | MAX | |
| 1 | t _{c(RTCXI)} Cycle time, RTCXI | | 30.5175 | | μs |
| 2 | t _{w(RTCXIH)} Pulse duration, RTCXI high | .45C | | .55C | ns |
| 3 | t _{w(RTCXIL)} Pulse duration, RTCXI low | .45C | | .55C | ns |

- (1) The reference points for the rise and fall transitions are measured at V_{IL} MAX and V_{IH} MIN.
- (2) C = MXI1/CLKIN1 cycle time in ns. For example, when MXI1/CLKIN1 frequency is 24 MHz use C = 41.6̄ ns.

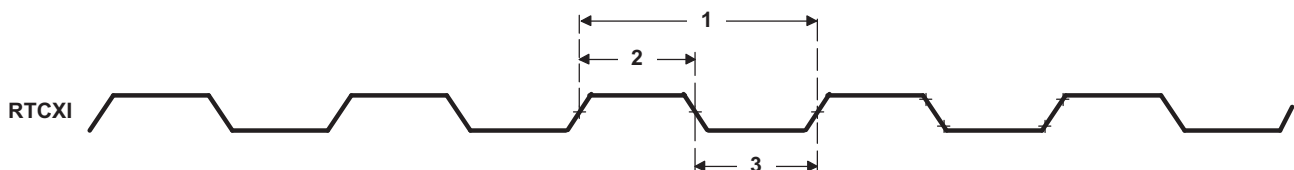


Figure 6-10. RTCXI Timing

Table 6-8. Switching Characteristics Over Recommended Operating Conditions for RTC Oscillator

| PARAMETER | | MIN | TYP | MAX | UNIT |
|-----------|---|-----|--------|--------|------|
| | Start-up time (from power up until oscillating at stable frequency) | | 0.85 | 2 | s |
| | Oscillation frequency | | 32.768 | | kHz |
| | Crystal ESR | | | 70 | kΩ |
| | Frequency stability | | | +/- 50 | ppm |

The load capacitors, C1 and C2, should be chosen such that the equation is satisfied (typical values are C1 = C2 = 2 fF). CL in the equation is the load specified by the crystal manufacturer. All discrete components used to implement the oscillator circuit should be placed as close as possible to the associated oscillator pins (RTCXI and RTCXO) and to the V_{SS_MX1} pin.

6.7 Power Management and Real Time Clock Subsystem (PRTCSS)

The Power Management and Real Time Clock Subsystem (PRTCSS) is used for calendar applications. The PRTCSS has an independent power supply and can remain ON while the rest of the power supply is turned OFF. The PRTCSS supports the following features:

- Real Time Clock (RTC)
 - Simple day counter (Up to 89-years)
 - To generate the Alarm event to check the RTC count
 - 16-bit simple timer
 - Watch-dog timer to generate the event for RTC-Sequencer
- General Purpose I/O with Anti-chattering
 - 3-output pins (PWRCTRO[2:0])
 - 7-In/Output pins (PWRCTRIO[6:0])
- Interrupt
 - 2 RTCSS interrupts (ARMSS and Timer)
 - 7 GPIO interrupts (PWRCTRIO[6:0])

6.7.1 PRTCSS Peripheral Register Description(s)

The following table lists the PRTCSS Interface registers (PRTCIF) and [Table 6-10](#) lists the PRTCSS registers which can only be accessed via the PRTCIF registers, their corresponding acronyms, and device memory locations (offsets). For more details, see the *TMS320DM36x PRTCSS User's Guide* (literature number [SPRUFJ0](#)).

Table 6-9. PRTC Interface (PRTCIF) Registers

| Offset | Acronym | Register Description |
|--------|---------------|-----------------------------------|
| 0x0 | PID | PRTCIF peripheral ID register |
| 0x4 | PRTCIF_CTRL | PRTCIF control register |
| 0x8 | PRTCIF_LDATA | PRTCIF access lower data register |
| 0xC | PRTCIF_UDATA | PRTCIF access upper data register |
| 0x10 | PRTCIF_INTEN | PRTCIF interrupt enable register |
| 0x14 | PRTCIF_INTFLG | PRTCIF interrupt flag register |

Table 6-10. Power Management and Real Time Clock Subsystem (PRTCSS) Registers

| Offset | Acronym | Register Description |
|--------|---------|--|
| 0x0 | GO_OUT | Global output pin output data register |
| 0x1 | GIO_OUT | Global input/output pin output data register |
| 0x2 | GIO_DIR | Global input/output pin direction register |
| 0x3 | GIO_IN | Global input/output pin input data register |

Table 6-10. Power Management and Real Time Clock Subsystem (PRTCSS) Registers (continued)

| Offset | Acronym | Register Description |
|-----------|------------------|---|
| 0x4 | GIO_FUNC | Global input/output pin function register |
| 0x5 | GIO_RISE_INT_EN | GIO rise interrupt enable register |
| 0x6 | GIO_FALL_INT_EN | GIO fall interrupt enable register |
| 0x7 | GIO_RISE_INT_FLG | GIO rise interrupt flag register |
| 0x8 | GIO_FALL_INT_FLG | GIO fall interrupt flag register |
| 0x9 - 0xA | Reserved | Reserved |
| 0xB | INTC_EXTENA0 | EXT interrupt enable 0 register |
| 0xC | INTC_EXTENA1 | EXT interrupt enable 1 register |
| 0xD | INTC_FLG0 | Event interrupt flag 0 register |
| 0xE | INTC_FLG1 | Event interrupt flag 1 register |
| 0x10 | RTC_CTRL | RTC control register |
| 0x11 | RTC_WDT | Watchdog timer counter register |
| 0x12 | RTC_TMR0 | Timer counter 0 register |
| 0x13 | RTC_TMR1 | Timer counter 1 register |
| 0x14 | RTC_CCTRL | Calender control register |
| 0x15 | RTC_SEC | Seconds register |
| 0x16 | RTC_MIN | Minutes register |
| 0x17 | RTC_HOUR | Hours register |
| 0x18 | RTC_DAY0 | Days[[7:0] register |
| 0x19 | RTC_DAY1 | Days[14:8] register |
| 0x1A | RTC_AMIN | Minutes Alarm register |
| 0x1B | RTC_AHOUR | Hour Alarm register |
| 0x1C | RTC_ADAY0 | Days[7:0] Alarm register |
| 0x1D | RTC_ADAY1 | Days[14:8] Alarm register |
| 0x20 | CLKC_CNT | Clock control register |

6.8 General-Purpose Input/Output (GPIO)

The GPIO peripheral provides general-purpose pins that can be configured as either inputs or outputs. When configured as an output, a write to an internal register can control the state driven on the output pin. When configured as an input, the state of the input is detectable by reading the state of an internal register. In addition, the GPIO peripheral can produce CPU interrupts and EDMA events in different interrupt/event generation modes. The GPIO peripheral provides generic connections to external devices. The GPIO pins are grouped into banks of 16 pins per bank (i.e., bank 0 consists of GPIO [0:15]). There are a total of 7 GPIO banks in the device, because the device has 104 GPIOs. For additional details on GPIO pins voltage level and the associated power supply please see [Table 6-11](#).

Table 6-11. GPIO Pin Voltage Level and Power Supply Reference

| Voltage Level | 1.8 V or 3.3 V | | | 3.3 V | 1.8 V |
|-------------------|------------------------------|------------------------------|---------------------------|--------------------|--------------------------|
| Power Supply Name | V _{DD_AEMIF1_18_33} | V _{DD_AEMIF2_18_33} | V _{DD_ISIF18_33} | V _{DDS33} | V _{DD18_PRTCSS} |
| Pin Name | GIO[78:68] | GIO[67] | GIO[103:93] | GIO[92:79] | GIO[110:104] |
| | GIO[66:56] | GIO[55:52] | | GIO[49:0] | |
| | GIO[51:50] | | | | |

The GPIO peripheral supports the following:

- Up to 104 GPIO pins, GPIO[103:0]
- Up to 7 GPIO pins dedicated to the PRTC Subsystem. These pins are labeled as PWRCTRIO[6:0]. Only PWRCTRIO[2:0] are connected to the GPIO module, labeled as GPIO[106:104]. For the PRTCSS module the PWRCTRIO[6:0] pins support input and output functionality but for the GPIO module the GPIO[106:104] pins support input functionality only. For more details please refer to [Section 6.7](#).
- Interrupts:
 - Up to 15 unique GPIO[15:0] interrupts from Bank 0.
 - Up to 3 unique GPIO[106:104] interrupts from Bank 6, dedicated to the PRTC Subsystem. For more details please refer to [Section 6.7](#).
 - Interrupts can be triggered by rising and/or falling edge, specified for each interrupt capable GPIO signal
- DMA events:
 - Up to 15 unique GPIO DMA events from Bank 0
- Set/clear functionality: Firmware writes 1 to corresponding bit position(s) to set or to clear GPIO signal(s). This allows multiple firmware processes to toggle GPIO output signals without critical section protection (disable interrupts, program GPIO, re-enable interrupts, to prevent context switching to another process during GPIO programming).
- Separate Input/Output registers
- Output register in addition to set/clear so that, if preferred by firmware, some GPIO output signals can be toggled by direct write to the output register(s).
- Output register, when read, reflects output drive status. This, in addition to the input register reflecting pin status, allows wired logic be implemented.

For more detailed information on GPIOs, see the *Documentation Support* section for the General-Purpose Input/Output (GPIO) Reference Guide.

6.8.1 GPIO Peripheral Register Description(s)

Table 6-12 lists the GPIO registers, their corresponding acronyms, and device memory locations (offsets).

Table 6-12. General-Purpose Input/Output (GPIO) Registers

| OFFSET | ACRONYM | REGISTER DESCRIPTION |
|---------------------------|--------------|--|
| 0h | PID | Peripheral Identification Register |
| 8h | BINTEN | GPIO Interrupt Per-Bank Enable Register |
| GPIO Banks 0 and 1 | | |
| 10h | DIR01 | GPIO Banks 0 and 1 Direction Register |
| 14h | OUT_DATA01 | GPIO Banks 0 and 1 Output Data Register |
| 18h | SET_DATA01 | GPIO Banks 0 and 1 Set Data Register |
| 1Ch | CLR_DATA01 | GPIO Banks 0 and 1 Clear Data Register |
| 20h | IN_DATA01 | GPIO Banks 0 and 1 Input Data Register |
| 24h | SET_RIS_TRIG | GPIO Set Rising Edge Interrupt Register |
| 28h | CLR_RIS_TRIG | GPIO Clear Rising Edge Interrupt Register |
| 2Ch | SET_FAL_TRIG | GPIO Set Falling Edge Interrupt Register |
| 30h | CLR_FAL_TRIG | GPIO Clear Falling Edge Interrupt Register |
| 34h | INTSTAT | GPIO Interrupt Status Register |
| GPIO Banks 2 and 3 | | |
| 38h | DIR23 | GPIO Banks 2 and 3 Direction Register |
| 3Ch | OUT_DATA23 | GPIO Banks 2 and 3 Output Data Register |
| 40h | SET_DATA23 | GPIO Banks 2 and 3 Set Data Register |
| 44h | CLR_DATA23 | GPIO Banks 2 and 3 Clear Data Register |
| 48h | IN_DATA23 | GPIO Banks 2 and 3 Input Data Register |
| GPIO Bank 4 and 5 | | |
| 60h | DIR45 | GPIO Bank 4 and 5 Direction Register |
| 64h | OUT_DATA45 | GPIO Bank 4 and 5 Output Data Register |
| 68h | SET_DATA45 | GPIO Bank 4 and 5 Set Data Register |
| 6Ch | CLR_DATA45 | GPIO Bank 4 and 5 Clear Data Register |
| 70h | IN_DATA45 | GPIO Bank 4 and 5 Input Data Register |
| GPIO Bank 6 | | |
| 88h | DIR6 | GPIO Bank 6 Direction Register |
| 8Ch | OUT_DATA6 | GPIO Bank 6 Output Data Register |
| 90h | SET_DATA6 | GPIO Bank 6 Set Data Register |
| 94h | CLR_DATA6 | GPIO Bank 6 Clear Data Register |
| 98h | IN_DATA6 | GPIO Bank 6 Input Data Register |

6.8.2 GPIO Peripheral Input/Output Electrical Data/Timing

Table 6-13. Timing Requirements for GPIO Inputs (see Figure 6-11)

| NO. | | DEVICE | | UNIT |
|-----|---|--------------------|-----|------|
| | | MIN | MAX | |
| 1 | $t_{w(GPIH)}$ Pulse duration, GPIx high | 12P ⁽¹⁾ | | ns |
| 2 | $t_{w(GPIL)}$ Pulse duration, GPIx low | 12P ⁽¹⁾ | | ns |

(1) P = PLLC1.SYSCLK4 period, where SYSCLK4 is an output clock of PLLC1. For more details, see Section 3.3, Device Clocking.

Table 6-14. Switching Characteristics Over Recommended Operating Conditions for GPIO Outputs
(see [Figure 6-11](#))

| NO. | PARAMETER | | DEVICE | | UNIT |
|-----|---------------|---------------------------|------------------------|-----|------|
| | | | MIN | MAX | |
| 3 | $t_{w(GPOH)}$ | Pulse duration, GPOx high | 36P ⁽¹⁾ - 8 | | ns |
| 4 | $t_{w(GPOL)}$ | Pulse duration, GPOx low | 36P ⁽¹⁾ - 8 | | ns |

(1) P = PLLC1.SYSCLK4 period, where SYSCLK4 is an output clock of PLLC1. For more details, see [Section 3.3, Device Clocking](#).

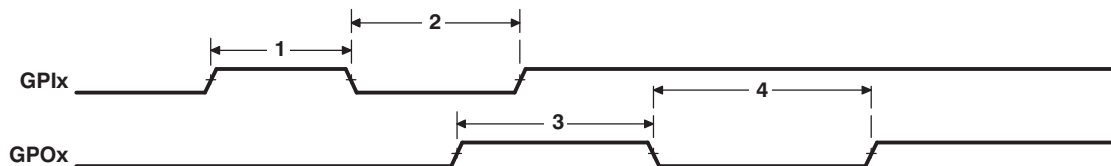


Figure 6-11. GPIO Port Timing

6.8.3 GPIO Peripheral External Interrupts Electrical Data/Timing

Table 6-15. Timing Requirements for External Interrupts/EDMA Events⁽¹⁾ (see [Figure 6-12](#))

| NO. | | | DEVICE | | UNIT |
|-----|---------------|--|-------------------|-----|------|
| | | | MIN | MAX | |
| 1 | $t_{w(LOW)}$ | Width of the external interrupt pulse low | 2P ⁽²⁾ | | ns |
| 2 | $t_{w(HIGH)}$ | Width of the external interrupt pulse high | 2P ⁽²⁾ | | ns |

(1) The pulse width given is sufficient to generate an interrupt or an EDMA event. However, if a user wants the device to recognize the GPIO changes through software polling of the GPIO register, the GPIO duration must be extended to allow the device enough time to access the GPIO register through the internal bus.

(2) P = PLLC1.SYSCLK4 period, where SYSCLK4 is an output clock of PLLC1. For more details, see [Section 3.3, Device Clocking](#).

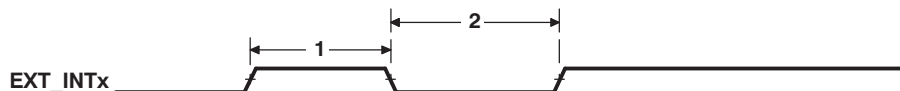


Figure 6-12. GPIO External Interrupt Timing

6.9 EDMA Controller

The EDMA controller handles all data transfers between memories and the device slave peripherals on the device. These are summarized as follows:

- Transfer to/from on-chip memories
 - ARM program/data RAM
 - HDVICP Coprocessor memory
 - MPEG/JPEG Coprocessor memory
- Transfer to/from external storage
 - DDR2 / mDDR SDRAM
 - Asynchronous EMIF
 - OneNAND flash
 - NAND flash, NOR flash
 - Smart Media, SD, MMC, xD media storage

- Transfer to/from peripherals
 - McBSP
 - SPI
 - I2C
 - PWM
 - RTO
 - GPIO
 - Timer/WDT
 - UART
 - MMC/SD

The EDMA Controller consists of two major blocks: the Transfer Controller (TC) and the Channel Controller (CC). The CC is a highly flexible Channel Controller that serves as the user interface and event interface for the EDMA system. The CC supports 64-event channels and 8 QDMA channels. The CC consists of a scalable Parameter RAM (PaRAM) that supports flexible ping-pong, circular buffering, channel-chaining, auto-reloading, and memory protection.

The EDMA Channel Controller has the following features:

- Fully orthogonal transfer description
 - Three transfer dimensions
 - A-synchronized transfers: one dimension serviced per event
 - AB- synchronized transfers: two dimensions serviced per event
 - Independent indexes on source and destination
 - Chaining feature allows 3-D transfer based on single event
- Flexible transfer definition
 - Increment and constant addressing modes
 - Linking mechanism allows automatic PaRAM set update
 - Chaining allows multiple transfers to execute with one event
- Interrupt generation for:
 - DMA completion
 - Error conditions
- Debug visibility
 - Queue watermarking/threshold
 - Error and status recording to facilitate debug
- 64 DMA channels
 - Event synchronization
 - Manual synchronization (CPU(s) write to event set register)
 - Chain synchronization (completion of one transfer chains to next)
- 8 QDMA channels
 - QDMA channels are triggered automatically upon writing to a PaRAM set entry
 - Support for programmable QDMA channel to PaRAM mapping
- 256 PaRAM sets
 - Each PaRAM set can be used for a DMA channel, QDMA channel, or link set (remaining)
- Four transfer controllers/event queues. The system-level priority of these queues is user programmable
- 16 event entries per event queue
- External events (for example, McBSP TX Evt and RX Evt)

The EDMA Transfer Controller has the following features:

- Four transfer controllers
- 64-bit wide read and write ports per channel

- Up to four in-flight transfer requests (TR)
- Programmable priority level
- Supports two dimensional transfers with independent indexes on source and destination (EDMA Channel Controller manages the 3rd dimension)
- Support for increment and constant addressing modes
- Interrupt and error support

Parameter RAM: Each EDMA is specified by an eight word (32-byte) parameter table contained in Parameter RAM (PaRAM) within the CC. The device provides 256 PaRAM entries, one for each of the 64 DMA channels and for 8 QDMA / Linked DMA entries.

DMA Channels: Can be triggered by: " External events (for example, McBSP TX Evt and RX Evt), " Software writing a '1' to the given bit location, or channel, of the Event Set register, or, " Chaining to other DMAs.

QDMA: The Quick DMA (QDMA) function is contained within the CC. The device implements 8 QDMA channels. Each QDMA channel has a selectable PaRAM entry used to specify the transfer. A QDMA transfer is submitted immediately upon writing of the "trigger" parameter (as opposed to the occurrence of an event as with EDMA). The QDMA parameter RAM may be written by any Config bus master through the Config Bus and by DMAs through the Config Bus bridge.

QDMA Channels: Triggered by a configuration bus write to a designated 'QDMA trigger word'. QDMAs allow a minimum number of linear writes (optimized for GEM IDMA feature) to be issued to the CC to force a series of transfers to take place.

6.9.1 EDMA Channel Synchronization Events

The EDMA supports up to 64 EDMA channels which service peripheral devices and external memory. [Table 6-16](#) lists the source of EDMA synchronization events associated with each of the programmable EDMA channels. For the device, the association of an event to a channel is fixed; each of the EDMA channels has one specific event associated with it. These specific events are captured in the EDMA event registers (ER, ERH) even if the events are disabled by the EDMA event enable registers (EER, EERH). For more detailed information on the EDMA module and how EDMA events are enabled, captured, processed, linked, chained, and cleared, etc., see the *Document Support* section for the Enhanced Direct Memory Access (EDMA) Controller Reference Guide.

Table 6-16. EDMA Channel Synchronization Events^{(1) (2)}

| EDMA CHANNEL | EVENT NAME | EVENT DESCRIPTION |
|--------------|------------------------------------|--|
| 0 | TIMER3: TEVT6 | Timer 3 Interrupt (TEVT6) Event |
| 1 | TIMER3 TEVT7 | Timer 3 Interrupt (TEVT7) Event |
| 2 | McBSP: XEVT or VoiceCodec : VCREVT | McBSP Transmit Event or Voice Codec Transmit Event |
| 3 | McBSP :REVT or VoiceCodec : VCREVT | McBSP Receive Event or Voice Codec Receive Event |
| 4 | VPSS: EVT1 | VPSS Event 1 |
| 5 | VPSS: EVT2 | VPSS Event 2 |
| 6 | VPSS: EVT3 | VPSS Event 3 |
| 7 | VPSS: EVT4 | VPSS Event 4 |
| 8 | TIMER2: TEVT4 | Timer 2 interrupt (TEVT4) Event |

- (1) In addition to the events shown in this table, each of the 64 channels can also be synchronized with the transfer completion or intermediate transfer completion events. For more detailed information on EDMA event-transfer chaining, see the *Document Support* section for the Enhanced Direct Memory Access (EDMA) Controller Reference Guide.
- (2) The total number of EDMA events exceeds 64, which is the maximum value of the EDMA module. Therefore, several events are multiplexed and you must use the register EDMA_EVTMUX in the System Control Module to select the event source for multiplexed events. Refer to the *TMS320DM36x DMSoC ARM Subsystem Reference Guide* (literature number [SPRUFG5](#)) for more information on the System Control Module register EDMA_EVTMUX.

Table 6-16. EDMA Channel Synchronization Events^{(1) (2)} (continued)

| EDMA CHANNEL | EVENT NAME | EVENT DESCRIPTION |
|--------------|--|--|
| 9 | TIMER2: TEVT5 | Timer 2 interrupt (TEVT5) Event |
| 10 | SPI2: SPI2XEVT | SPI2 Transmit Event |
| 11 | SPI2: SPI2REVT | SPI2 Receive Event |
| 12 | MJCP : IMX0INT or HDVICP : HDVICP_ARMINT | MPEG/JPEG Coprocessor IMX0INT Event or High Definition Video Image Coprocessor HDVICP_ARMINT Event |
| 13 | MJCP : SEQINT | MPEG/JPEG Coprocessor SEQINT Event |
| 14 | SPI1: SPI1XEVT | SPI1 Transmit Event |
| 15 | SPI1: SPI1REVT | SPI1 Receive Event |
| 16 | SPI0: SPI0XEVT | SPI0 Transmit Event |
| 17 | SPI0: SPI0REVT | SPI0 Receive Event |
| 18 | UART0: URXEVT0 or SPI3: SPI3XEVT | UART 0 Receive Event |
| 19 | UART0: UTXEVT0 or SPI3: SPI3REVT | UART 0 Transmit Event |
| 20 | UART1: URXEVT1 | UART 1 Receive Event |
| 21 | UART1: UTXEVT1 | UART 1 Transmit Event |
| 22 | TIMER4 : TEVT8 | Timer 4 (TEVT8) Event |
| 23 | TIMER4 : TEVT9 | Timer 4 (TEVT9) Event |
| 24 | RTOEVT | Real Time Out Module Event |
| 25 | GPIO: GPINT9 | GPIO 9 Event |
| 26 | MMC0RXEVT | MMC/SD0 Receive Event |
| 27 | MMC0TXEVT | MMC/SD0 Transmit Event |
| 28 | I2C : ICREVT | I2C Receive Event |
| 29 | I2C : ICXEVT | I2C Transmit Event |
| 30 | MMC1RXEVT | MMC/SD1 Receive Event |
| 31 | MMC1TXEVT | MMC/SD1 Transmit Event |
| 32 | GPIO :GPINT0 | GPIO 0 Event |
| 33 | GPIO: GPINT1 | GPIO 1 Event |
| 34 | GPIO :GPINT2 | GPIO 2 Event |
| 35 | GPIO :GPINT3 | GPIO 3 Event |
| 36 | GPIO :GPINT4 | GPIO 4 Event |
| 37 | GPIO :GPINT5 | GPIO 5 Event |
| 38 | GPIO :GPINT6 | GPIO 6 Event |
| 39 | GPIO :GPINT7 | GPIO 7 Event |
| 40 | GPIO : GPINT10 or EMACRXTHREESH | GPIO 10 Event or EMAC EMACRXTHREESH |
| 41 | GPIO : GPINT11 or EMACRXPULSE | GPIO 11 Event or EMAC EMACRXPULSE |
| 42 | GPIO : GPINT12 or EMACTXPULSE | GPIO 12 Event or EMAC EMACTXPULSE |
| 43 | GPIO : GPINT13 or EMACMISCPULSE | GPIO 13 Event or EMAC EMACMISCPULSE |
| 44 | GPIO : GPINT14 | GPIO 14 Event |
| 45 | GPIO : GPINT15 | GPIO 15 Event |
| 46 | ADC : ADINT | Analog to Digital Converter Interrupt Event |
| 47 | GPIO : GPINT8 | GPIO 8 Event |
| 48 | TIMER0 : TEVT0 | Timer 0 (TEVT0) Event |
| 49 | TIMER0: TEVT1 | Timer 1 (TEVT1) Event |

Table 6-16. EDMA Channel Synchronization Events^{(1) (2)} (continued)

| EDMA CHANNEL | EVENT NAME | EVENT DESCRIPTION |
|--------------|---|--|
| 50 | TIMER1: TEVT2 | Timer 2(TEVT2) Event |
| 51 | TIMER1: TEVT3 | Timer 3(TEVT3) Event |
| 52 | PWM0 | PWM 0 Event |
| 53 | PWM1 or MJCP : IMX1INT | PWM 1 Event or MJCP IMX1INT interrupt |
| 54 | PWM2 or MJCP : NSFINT | PWM 2 Event or MJCP NSFINT interrupt |
| 55 | PWM3 or HDVICP(6) : CP_UNDEF | MPEG/JPEG Coprocessor PWM 3 Event or High Definition Video Image Coprocessor CP_UNDEF Event |
| 56 | MJCP : VLCDINT or HDVICP(5) : CP_ECDCMP | MPEG/JPEG Coprocessor VLCDINT Event or High Definition Video Image Coprocessor CP_ECDCMP Event |
| 57 | MJCP : BIMINT or HDVICP(8) : CP_ME | MPEG/JPEG Coprocessor BIMINT Event or High Definition Video Image Coprocessor CP_ME Event |
| 58 | MJCP : DCTINT or HDVICP(1) : CP_CALC | MPEG/JPEG Coprocessor DCTINT Event or High Definition Video Image Coprocessor CP_CALC Event |
| 59 | MJCP : QIQINT or HDVICP(7) : CP_IPE | MPEG/JPEG Coprocessor QIQINT Event or High Definition Video Image Coprocessor CP_IPE Event |
| 60 | MJCP : BPSINT or HDVICP(2) : CP_BS | MPEG/JPEG Coprocessor BPSINT Event or High Definition Video Image Coprocessor CP_BS Event |
| 61 | MJCP : VLCDERRINT or HDVICP(0) : CP_LPF | MPEG/JPEG Coprocessor VLCDERRINT Event or High Definition Video Image Coprocessor CP_LPF Event |
| 62 | MJCP : RCNTINT or HDVICP(3) : CP_MC | MPEG/JPEG Coprocessor RCNTINT Event or High Definition Video Image Coprocessor CP_MC Event |
| 63 | MJCP : COPCINT or HDVICP(4) : CP_ECDEND | MPEG/JPEG Coprocessor COPCINT Event or High Definition Video Image Coprocessor CP_ECDEND Event |

6.9.2 EDMA Peripheral Register Description(s)

Table 6-17 lists the EDMA registers, their corresponding acronyms, and device memory locations (offsets).

Table 6-17. EDMA Registers

| Offset | Acronym | Register Description |
|-------------------------|----------|------------------------------------|
| 00h | PID | Peripheral Identification Register |
| 04h | CCCFG | EDMA3CC Configuration Register |
| Global Registers | | |
| 0200h | QCHMAP0 | QDMA Channel 0 Mapping Register |
| 0204h | QCHMAP1 | QDMA Channel 1 Mapping Register |
| 0208h | QCHMAP2 | QDMA Channel 2 Mapping Register |
| 020Ch | QCHMAP3 | QDMA Channel 3 Mapping Register |
| 0210h | QCHMAP4 | QDMA Channel 4 Mapping Register |
| 0214h | QCHMAP5 | QDMA Channel 5 Mapping Register |
| 0218h | QCHMAP6 | QDMA Channel 6 Mapping Register |
| 021Ch | QCHMAP7 | QDMA Channel 7 Mapping Register |
| 0240h | DMAQNUM0 | DMA Queue Number Register 0 |
| 0244h | DMAQNUM1 | DMA Queue Number Register 1 |
| 0248h | DMAQNUM2 | DMA Queue Number Register 2 |
| 024Ch | DMAQNUM3 | DMA Queue Number Register 3 |
| 0250h | DMAQNUM4 | DMA Queue Number Register 4 |
| 0254h | DMAQNUM5 | DMA Queue Number Register 5 |
| 0258h | DMAQNUM6 | DMA Queue Number Register 6 |
| 025Ch | DMAQNUM7 | DMA Queue Number Register 7 |

Table 6-17. EDMA Registers (continued)

| Offset | Acronym | Register Description |
|---------------------------------|------------|---|
| 0260h | QDMAQNUM | QDMA Queue Number Register |
| 0284h | QUEPRI | Queue Priority Register |
| 0300h | EMR | Event Missed Register |
| 0304h | EMRH | Event Missed Register High |
| 0308h | EMCR | Event Missed Clear Register |
| 030Ch | EMCRH | Event Missed Clear Register High |
| 0310h | QEMR | QDMA Event Missed Register |
| 0314h | QEMCR | QDMA Event Missed Clear Register |
| 0318h | CCERR | EDMA3CC Error Register |
| 031Ch | CCERRCLR | EDMA3CC Error Clear Register |
| 0320h | EEVAL | Error Evaluate Register |
| 0340h | DRAE0 | DMA Region Access Enable Register for Region 0 |
| 0344h | DRAEH0 | DMA Region Access Enable Register High for Region 0 |
| ... | | |
| 0350h | DRAE2 | DMA Region Access Enable Register for Region 2 |
| 0354h | DRAEH2 | DMA Region Access Enable Register High for Region 2 |
| 0360h | DRAE4 | DMA Region Access Enable Register for Region 4 |
| 0364h | DRAEH4 | DMA Region Access Enable Register High for Region 4 |
| 0368h | DRAE5 | DMA Region Access Enable Register for Region 5 |
| 036Ch | DRAEH5 | DMA Region Access Enable Register High for Region 5 |
| 0380h | QRAE0 | QDMA Region Access Enable Register for Region 0 |
| 0388h | QRAE2 | QDMA Region Access Enable Register for Region 2 |
| 0390h | QRAE4 | |
| 0394h | QRAE5 | |
| 0400h-047Ch | Q0E0-Q1E15 | Event Queue Entry Registers Q0E0-Q1E15 |
| 0600h | QSTAT0 | Queue 0 Status Register |
| 0604h | QSTAT1 | Queue 1 Status Register |
| 0608h | QSTAT2 | Queue 2 Status Register |
| 060Ch | QSTAT3 | Queue 3 Status Register |
| 0620h | QWMTHRA | Queue Watermark Threshold A Register |
| 0640h | CCSTAT | EDMA3CC Status Register |
| Global Channel Registers | | |
| 1000h | ER | Event Register |
| 1004h | ERH | Event Register High |
| 1008h | ECR | Event Clear Register |
| 100Ch | ECRH | Event Clear Register High |
| 1010h | ESR | Event Set Register |
| 1014h | ESRH | Event Set Register High |
| 1018h | CER | Chained Event Register |
| 101Ch | CERH | Chained Event Register High |
| 1020h | EER | Event Enable Register |
| 1024h | EERH | Event Enable Register High |
| 1028h | EECR | Event Enable Clear Register |
| 102Ch | EECRH | Event Enable Clear Register High |
| 1030h | EESR | Event Enable Set Register |
| 1034h | EESRH | Event Enable Set Register High |
| 1038h | SER | Secondary Event Register |

Table 6-17. EDMA Registers (continued)

| Offset | Acronym | Register Description |
|--|---------|--------------------------------------|
| 103Ch | SERH | Secondary Event Register High |
| 1040h | SECR | Secondary Event Clear Register |
| 1044h | SECRH | Secondary Event Clear Register High |
| 1050h | IER | Interrupt Enable Register |
| 1054h | IERH | Interrupt Enable Register High |
| 1058h | IECR | Interrupt Enable Clear Register |
| 105Ch | IECRH | Interrupt Enable Clear Register High |
| 1060h | IESR | Interrupt Enable Set Register |
| 1064h | IESRH | Interrupt Enable Set Register High |
| 1068h | IPR | Interrupt Pending Register |
| 106Ch | IPRH | Interrupt Pending Register High |
| 1070h | ICR | Interrupt Clear Register |
| 1074h | ICRH | Interrupt Clear Register High |
| 1078h | IEVAL | Interrupt Evaluate Register |
| 1080h | QER | QDMA Event Register |
| 1084h | QEER | QDMA Event Enable Register |
| 1088h | QEECR | QDMA Event Enable Clear Register |
| 108Ch | QEESR | QDMA Event Enable Set Register |
| 1090h | QSER | QDMA Secondary Event Register |
| 1094h | QSECR | QDMA Secondary Event Clear Register |
| Shadow Region 0 Channel Registers | | |
| 2000h | ER | Event Register |
| 2004h | ERH | Event Register High |
| 2008h | ECR | Event Clear Register |
| 200Ch | ECRH | Event Clear Register High |
| 2010h | ESR | Event Set Register |
| 2014h | ESRH | Event Set Register High |
| 2018h | CER | Chained Event Register |
| 201Ch | CERH | Chained Event Register High |
| 2020h | EER | Event Enable Register |
| 2024h | EERH | Event Enable Register High |
| 2028h | EECR | Event Enable Clear Register |
| 202Ch | EECRH | Event Enable Clear Register High |
| 2030h | EESR | Event Enable Set Register |
| 2034h | EESRH | Event Enable Set Register High |
| 2038h | SER | Secondary Event Register |
| 203Ch | SERH | Secondary Event Register High |
| 2040h | SECR | Secondary Event Clear Register |
| 2044h | SECRH | Secondary Event Clear Register High |
| 2050h | IER | Interrupt Enable Register |
| 2054h | IERH | Interrupt Enable Register High |
| 2058h | IECR | Interrupt Enable Clear Register |
| 205Ch | IECRH | Interrupt Enable Clear Register High |
| 2060h | IESR | Interrupt Enable Set Register |
| 2064h | IESRH | Interrupt Enable Set Register High |
| 2068h | IPR | Interrupt Pending Register |
| 206Ch | IPRH | Interrupt Pending Register High |

Table 6-17. EDMA Registers (continued)

| Offset | Acronym | Register Description |
|--|---------|--------------------------------------|
| 2070h | ICR | Interrupt Clear Register |
| 2074h | ICRH | Interrupt Clear Register High |
| 2078h | IEVAL | Interrupt Evaluate Register |
| 2080h | QER | QDMA Event Register |
| 2084h | QEER | QDMA Event Enable Register |
| 2088h | QEECR | QDMA Event Enable Clear Register |
| 208Ch | QEESR | QDMA Event Enable Set Register |
| 2090h | QSER | QDMA Secondary Event Register |
| 2094h | QSECR | QDMA Secondary Event Clear Register |
| Shadow Region 1 Channel Registers | | |
| 2200h | ER | Event Register |
| 2204h | ERH | Event Register High |
| 2208h | ECR | Event Clear Register |
| 220Ch | ECRH | Event Clear Register High |
| 2210h | ESR | Event Set Register |
| 2214h | ESRH | Event Set Register High |
| 2218h | CER | Chained Event Register |
| 221Ch | CERH | Chained Event Register High |
| 2220h | EER | Event Enable Register |
| 2224h | EERH | Event Enable Register High |
| 2228h | EECR | Event Enable Clear Register |
| 222Ch | EECRH | Event Enable Clear Register High |
| 2230h | EESR | Event Enable Set Register |
| 2234h | EESRH | Event Enable Set Register High |
| 2238h | SER | Secondary Event Register |
| 223Ch | SERH | Secondary Event Register High |
| 2240h | SECR | Secondary Event Clear Register |
| 2244h | SECRH | Secondary Event Clear Register High |
| 2250h | IER | Interrupt Enable Register |
| 2254h | IERH | Interrupt Enable Register High |
| 2258h | IECR | Interrupt Enable Clear Register |
| 225Ch | IECRH | Interrupt Enable Clear Register High |
| 2260h | IESR | Interrupt Enable Set Register |
| 2264h | IESRH | Interrupt Enable Set Register High |
| 2268h | IPR | Interrupt Pending Register |
| 226Ch | IPRH | Interrupt Pending Register High |
| 2270h | ICR | Interrupt Clear Register |
| 2274h | ICRH | Interrupt Clear Register High |
| 2278h | IEVAL | Interrupt Evaluate Register |
| 2280h | QER | QDMA Event Register |
| 2284h | QEER | QDMA Event Enable Register |
| 2288h | QEECR | QDMA Event Enable Clear Register |
| 228Ch | QEESR | QDMA Event Enable Set Register |
| 2290h | QSER | QDMA Secondary Event Register |
| 2294h | QSECR | QDMA Secondary Event Clear Register |
| 2400h-2494h | — | Shadow Region 2 Channel Registers |
| 2600h-2694h | — | Shadow Region 3 Channel Registers |

Table 6-17. EDMA Registers (continued)

| Offset | Acronym | Register Description |
|-------------|---------|-----------------------------------|
| 2800h-2894h | | Shadow Region 4 Channel Registers |
| 2A00h-2A94h | | Shadow Region 5 Channel Registers |
| 2C00h-2C94h | | Shadow Region 6 Channel Registers |
| 2E00h-2E94h | | Shadow Region 7 Channel Registers |
| 4000h-4FFFh | — | Parameter RAM (PaRAM) |

Table 6-18 shows an abbreviation of the set of registers which make up the parameter set for each of 512 EDMA events. Each of the parameter register sets consist of 8 32-bit word entries. Table 6-19 shows the parameter set entry registers with relative memory address locations within each of the parameter sets.

Table 6-18. EDMA Parameter Set RAM

| HEX ADDRESS RANGE | DESCRIPTION |
|---------------------------|-------------------------------------|
| 0x01C0 4000 - 0x01C0 401F | Parameters Set 0 (8 32-bit words) |
| 0x01C0 4020 - 0x01C0 403F | Parameters Set 1 (8 32-bit words) |
| 0x01C0 4040 - 0x01C0 405F | Parameters Set 2 (8 32-bit words) |
| 0x01C0 4060 - 0x01C0 407F | Parameters Set 3 (8 32-bit words) |
| 0x01C0 4080 - 0x01C0 409F | Parameters Set 4 (8 32-bit words) |
| 0x01C0 40A0 - 0x01C0 40BF | Parameters Set 5 (8 32-bit words) |
| ... | ... |
| 0x01C0 7FC0 - 0x01C0 7FDF | Parameters Set 510 (8 32-bit words) |
| 0x01C0 7FE0 - 0x01C0 7FFF | Parameters Set 511 (8 32-bit words) |

Table 6-19. Parameter Set Entries

| HEX OFFSET ADDRESS WITHIN THE PARAMETER SET | ACRONYM | PARAMETER ENTRY |
|--|--------------|-------------------------------------|
| 0x0000 | OPT | Option |
| 0x0004 | SRC | Source Address |
| 0x0008 | A_B_CNT | A Count, B Count |
| 0x000C | DST | Destination Address |
| 0x0010 | SRC_DST_BIDX | Source B Index, Destination B Index |
| 0x0014 | LINK_BCNTRLD | Link Address, B Count Reload |
| 0x0018 | SRC_DST_CIDX | Source C Index, Destination C Index |
| 0x001C | CCNT | C Count |

6.10 External Memory Interface (EMIF)

The device supports several memory and external device interfaces, including:

- Asynchronous EMIF (AEMIF) for interfacing to SRAM.
 - OneNAND flash memories
 - NAND flash memories
 - NOR flash memories
- DDR2/mDDR Memory Controller for interfacing to SDRAM.

6.10.1 Asynchronous EMIF (AEMIF)

The EMIF supports the following features:

- SRAM, NOR flash, etc. on up to 2 asynchronous chip selects addressable up to 16MB each
- Supports 8-bit or 16-bit data bus widths
- Programmable asynchronous cycle timings
- Supports extended wait mode
- Supports Select Strobe mode

6.10.1.1 NAND (NAND, SmartMedia, xD)

The NAND features of the EMIF are as follows:

- NAND flash on up to 2 asynchronous chip selects
- 8 and 16-bit data bus widths
- Programmable cycle timings
- Performs 1-bit and 4-bit ECC calculation
- NAND Mode also supports SmartMedia/SSFDC (Solid State Floppy Disk Controller) and xD memory cards

6.10.1.2 OneNAND

The OneNAND features supported are as follows.

- NAND flash on up to 2 asynchronous chip selects
- Only 16-bit data bus widths
- Supports asynchronous writes and reads
- Supports synchronous reads with continuous linear burst mode (Does not support synchronous reads with wrap burst modes)
- Programmable cycle timings for each chip select in asynchronous mode

6.10.1.3 EMIF Peripheral Register Descriptions

Table 6-20 lists the EDMA registers, their corresponding acronyms, and device memory locations (offsets).

Table 6-20. External Memory Interface (EMIF) Registers

| OFFSET | ACRONYM | REGISTER DESCRIPTION |
|--------|---------|---|
| 04h | AWCCR | Asynchronous Wait Cycle Configuration Register |
| 10h | A1CR | Asynchronous 1 Configuration Register (CE0 space) |
| 14h | A2CR | Asynchronous 2 Configuration Register (CE1 space) |
| 40h | EIRR | EMIF Interrupt Raw Register |
| 44h | EIMR | EMIF Interrupt Mask Register |

Table 6-20. External Memory Interface (EMIF) Registers (continued)

| OFFSET | ACRONYM | REGISTER DESCRIPTION |
|--------|-----------------|---|
| 48h | EIMSR | EMIF Interrupt Mask Set Register |
| 4Ch | EIMCR | EMIF Interrupt Mask Clear Register |
| 5Ch | ONENANDCTL | OneNAND Flash Control Register |
| 60h | NANDFCR | NAND Flash Control Register |
| 64h | NANDFSR | NAND Flash Status Register |
| 70h | NANDF1ECC | NAND Flash 1-Bit ECC Register 1 (CE0 Space) |
| 74h | NANDF2ECC | NAND Flash 1-Bit ECC Register 2 (CE1 Space) |
| BCh | NAND4BITECCLOAD | NANDFlash 4-Bit ECC Load Register |
| C0h | NAND4BITECC1 | NAND Flash 4-Bit ECC Register 1 |
| C4h | NAND4BITECC2 | NAND Flash 4-Bit ECC Register 2 |
| C8h | NAND4BITECC3 | NAND Flash 4-Bit ECC Register 3 |
| CCh | NAND3BITECC4 | NAND Flash 4-Bit ECC Register 4 |
| D0h | NANDERRADD1 | NAND Flash 4-Bit ECC Error Address Register 1 |
| D4h | NANDERRADD2 | NAND Flash 4-Bit ECC Error Address Register 2 |
| D8h | NANDERRVAL1 | NAND Flash 4-Bit ECC Error Value Register 1 |
| DCh | NANDERRVAL2 | NAND Flash 4-Bit ECC Error Value Register 2 |

6.10.1.4 AEMIF Electrical Data/Timing
Table 6-21. Timing Requirements for Asynchronous Memory Cycles for AEMIF Module⁽¹⁾ (see [Figure 6-13](#) and [Figure 6-14](#))

| NO | | | DEVICE | | | UNIT |
|---|-----------------------------------|--|--------|-----|-----|------|
| | | | MIN | NOM | MAX | |
| READS and WRITES | | | | | | |
| 2 | $t_{w(EM_WAIT)}$ | Pulse duration, EM_WAIT assertion and deassertion | 2E | | | ns |
| READS | | | | | | |
| 12 | $t_{su(EMDV-EMOE\overline{H})}$ | Setup time, EM_D[15:0] valid before $\overline{EM_OE}$ high | 4 | | | ns |
| 13 | $t_{h(EMOE\overline{H}-EMDIV)}$ | Hold time, EM_D[15:0] valid after $\overline{EM_OE}$ high | 3 | | | ns |
| 14 | $t_{su(EMOE\overline{L}-EMWAIT)}$ | Setup time EM_WAIT asserted before $\overline{EM_OE}$ high ⁽²⁾ | 4E + 3 | | | ns |
| READS (OneNAND Synchronous Burst Read) | | | | | | |
| 30 | $t_{su(EMDV-EMCLKH)}$ | Setup time, EM_D[15:0] valid before EM_CLK high | 4 | | | ns |
| 31 | $t_{h(EMCLKH-EMDIV)}$ | Hold time, EM_D[15:0] valid after EM_CLK high | 3 | | | ns |
| WRITES | | | | | | |
| 28 | $t_{su(EMWEL-EMWAIT)}$ | Setup time EM_WAIT asserted before $\overline{EM_WE}$ high ⁽²⁾ | 4E + 3 | | | ns |

(1) $E=2*PLL1C\ SYSCLK4$ period in ns. See [Section 3.3](#) for more information.

(2) Setup before end of STROBE phase (if no extended wait states are inserted) by which EM_WAIT must be asserted to add extended wait states. [Figure 6-15](#) and [Figure 6-16](#) describe EMIF transactions that include extended wait states inserted during the STROBE phase. However, cycles inserted as part of this extended wait period should not be counted; the 4E requirement is to the start of where the HOLD phase would begin if there were no extended wait cycles.

Table 6-22. Switching Characteristics Over Recommended Operating Conditions for Asynchronous Memory Cycles for AEMIF Module⁽¹⁾ ⁽²⁾ ⁽³⁾ (see [Figure 6-13](#) and [Figure 6-14](#))

| NO. | PARAMETER | | DEVICE | | | UNIT |
|-------------------------|--|--|-------------------|-----|-----|------|
| | | | MIN | TYP | MAX | |
| READS and WRITES | | | | | | |
| 1 | $t_{d(TURNAROUND)}$ | Turn around time | (TA)*E | | | ns |
| READS | | | | | | |
| 3 | $t_{c(EMRCYCLE)}$ | EMIF read cycle time (EW = 0) | (RS+RST+RH + 3)*E | | | ns |
| | | EMIF read cycle time (EW = 1) | (RS+RST+RH+3)*E | | | ns |
| 4 | $t_{su(EMCEL-EMOEL)}$ | Output setup time, $\overline{EM_CE}[1:0]$ low to $\overline{EM_OE}$ low (SS = 0) | (RS + 1)*E + 3 | | | ns |
| | | Output setup time, $\overline{EM_CE}[1:0]$ low to $\overline{EM_OE}$ low (SS = 1) | (RS + 1)*E | | | ns |
| 5 | $t_{h(EMOE\overline{H}-EMCE\overline{H})}$ | Output hold time, $\overline{EM_OE}$ high to $\overline{EM_CE}[1:0]$ high (SS = 0) | (RH + 1)*E | | | ns |
| | | Output hold time, $\overline{EM_OE}$ high to $\overline{EM_CE}[1:0]$ high (SS = 1) | (RH + 1)*E | | | ns |
| 6 | $t_{su(EMBAV-EMOEL)}$ | Output setup time, EM_BA[1:0] valid to $\overline{EM_OE}$ low | (RS + 1)*E | | | ns |
| 7 | $t_{h(EMOE\overline{H}-EMBAIV)}$ | Output hold time, $\overline{EM_OE}$ high to EM_BA[1:0] invalid | (RH + 1)*E | | | ns |

(1) TA = Turn around, RS = Read setup, RST = Read strobe, RH = Read hold, WS = Write setup, WST = Write strobe, WH = Write hold, MEWC = Maximum external wait cycles. These parameters are programmed via the Asynchronous Bank and Asynchronous Wait Cycle Configuration Registers. These support the following range of values: TA[4-1], RS[16-1], RST[64-1], RH[8-1], WS[16-1], WST[64-1], WH[8-1], and MEW[1-256]. See the *TMS320DM36x DMSoC Asynchronous External Memory Interface User's Guide* ([SPRUF11](#)) for more information.

(2) $E=2*PLL1C\ SYSCLK4$ period in ns. See [Section 3.3](#) for more information.

(3) EWC = external wait cycles determined by EM_WAIT input signal. EWC supports the following range of values EWC[256-1]. Note that the maximum wait time before timeout is specified by bit field MEWC in the Asynchronous Wait Cycle Configuration Register. See the *TMS320DM36x DMSoC Asynchronous External Memory Interface User's Guide* ([SPRUF11](#)) for more information.

Table 6-22. Switching Characteristics Over Recommended Operating Conditions for Asynchronous Memory Cycles for AEMIF Module^{(1) (2) (3)} (see Figure 6-13 and Figure 6-14) (continued)

| NO. | PARAMETER | | DEVICE | | | UNIT |
|---|----------------------------|--|------------------------------------|------------------------------------|--------|------|
| | | | MIN | TYP | MAX | |
| 8 | $t_{su}(EMBAV-EMOEL)$ | Output setup time, EM_A[21:0] valid to $\overline{EM_OE}$ low | | (RS + 1)*E | | ns |
| 9 | $t_h(EMOEH-EMAIV)$ | Output hold time, $\overline{EM_OE}$ high to EM_A[21:0] invalid | | (RH + 1)*E | | ns |
| 10 | $t_w(EMOEL)$ | $\overline{EM_OE}$ active low width (EW = 0) | | (RST)*E | | ns |
| | | $\overline{EM_OE}$ active low width (EW = 1) | | (RST+(EWC*16))*E | | ns |
| 11 | $t_d(EMWAITH-EMOEH)$ | Delay time from EM_WAIT deasserted to $\overline{EM_OE}$ high | | 4E | | ns |
| READS (OneNAND Synchronous Burst Read) | | | | | | |
| 32 | $f_c(EM_CLK)$ | Frequency, EM_CLK | | | 66 | MHz |
| 33 | $t_c(EM_CLK)$ | Cycle time, EM_CLK | 15.15 | | | ns |
| 34 | $t_{su}(EM_ADV-EM_CLKH)$ | Output setup time, EM_ADV valid before EM_CLK high | 2E - 2.5 | | | ns |
| 35 | $t_h(EM_CLKH-EM_ADVIV)$ | Output hold time, EM_CLK high to EM_ADV invalid | 2E + 3 | | | ns |
| 36 | $t_{su}(EM_AV-EM_CLKH)$ | Output setup time, EM_A[21:0]/EM_BA[1] valid before EM_CLK high | 2E - 2.5 | | | ns |
| 37 | $t_h(EM_CLKH-EM_AIV)$ | Output hold time, EM_CLK high to EM_A[21:0]/EM_BA[1] invalid | 2E + 3 | | | ns |
| 38 | $t_w(EM_CLKH)$ | Pulse duration, EM_CLK high | 5.05 | | | ns |
| 39 | $t_w(EM_CLKL)$ | Pulse duration, EM_CLK low | 5.05 | | | ns |
| WRITES | | | | | | |
| 15 | $t_c(EMWCYCLE)$ | EMIF write cycle time (EW = 0) | $(WS + WST + WH + TA + 4) * E - 3$ | $(WS + WST + WH + TA + 4) * E + 3$ | | ns |
| | | EMIF write cycle time (EW = 1) | $(WS + WST + WH + TA + 4) * E - 3$ | $(WS + WST + WH + TA + 4) * E + 3$ | | ns |
| 16 | $t_{su}(EMCEL-EMWEL)$ | Output setup time, $\overline{EM_CE}[1:0]$ low to $\overline{EM_WE}$ low (SS = 0) | $(WS+1) * E - 3$ | | | ns |
| | | Output setup time, $\overline{EM_CE}[1:0]$ low to $\overline{EM_WE}$ low (SS = 1) | $(WS+1) * E - 3$ | | | ns |
| 17 | $t_h(EMWEH-EMCEH)$ | Output hold time, $\overline{EM_WE}$ high to $\overline{EM_CE}[1:0]$ high (SS = 0) | $(WH+1) * E - 3$ | | | ns |
| | | Output hold time, $\overline{EM_WE}$ high to $\overline{EM_CE}[1:0]$ high (SS = 1) | $(WH+1) * E - 3$ | | | ns |
| 20 | $t_{su}(EMBAV-EMWEL)$ | Output setup time, EM_BA[1:0] valid to $\overline{EM_WE}$ low | $(WS+1) * E - 3$ | | | ns |
| 21 | $t_h(EMWEH-EMBAIV)$ | Output hold time, $\overline{EM_WE}$ high to EM_BA[1:0] invalid | $(WH+1) * E - 3$ | | | ns |
| 22 | $t_{su}(EMAV-EMWEL)$ | Output setup time, EM_A[21:0] valid to $\overline{EM_WE}$ low | $(WS+1) * E - 3$ | | | ns |
| 23 | $t_h(EMWEH-EMAIV)$ | Output hold time, $\overline{EM_WE}$ high to EM_A[21:0] invalid | $(WH+1) * E - 3$ | | | ns |
| 24 | $t_w(EMWEL)$ | $\overline{EM_WE}$ active low width (EW = 0) | $(WST+1) * E - 3$ | | | ns |
| | | $\overline{EM_WE}$ active low width (EW = 1) | $(WST+1) * E - 3$ | | | ns |
| 25 | $t_d(EMWAITH-EMWEH)$ | Delay time from EM_WAIT deasserted to $\overline{EM_WE}$ high | | | 4E + 3 | ns |
| 26 | $t_{su}(EMDV-EMWEL)$ | Output setup time, EM_D[15:0] valid to $\overline{EM_WE}$ low | $(WS+1) * E - 3$ | | | ns |
| 27 | $t_h(EMWEH-EMDIV)$ | Output hold time, $\overline{EM_WE}$ high to EM_D[15:0] invalid | $(WH+1) * E - 3$ | | | ns |

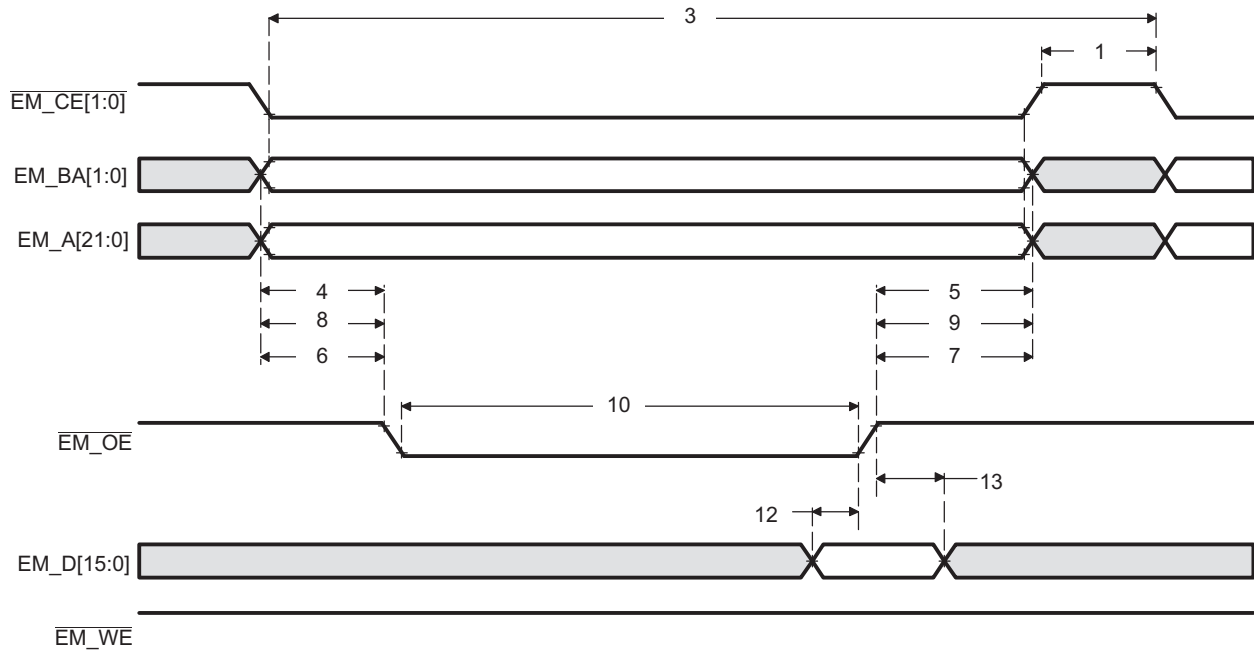


Figure 6-13. Asynchronous Memory Read Timing for EMIF

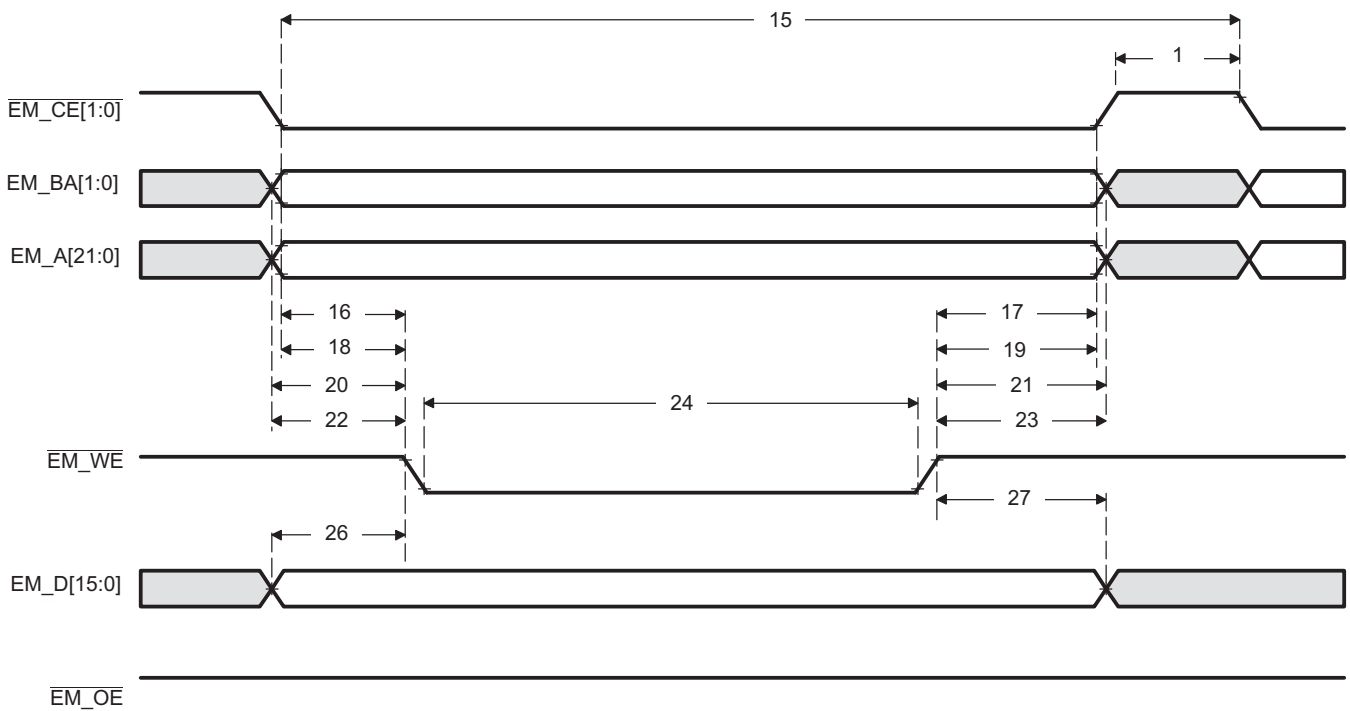


Figure 6-14. Asynchronous Memory Write Timing for EMIF

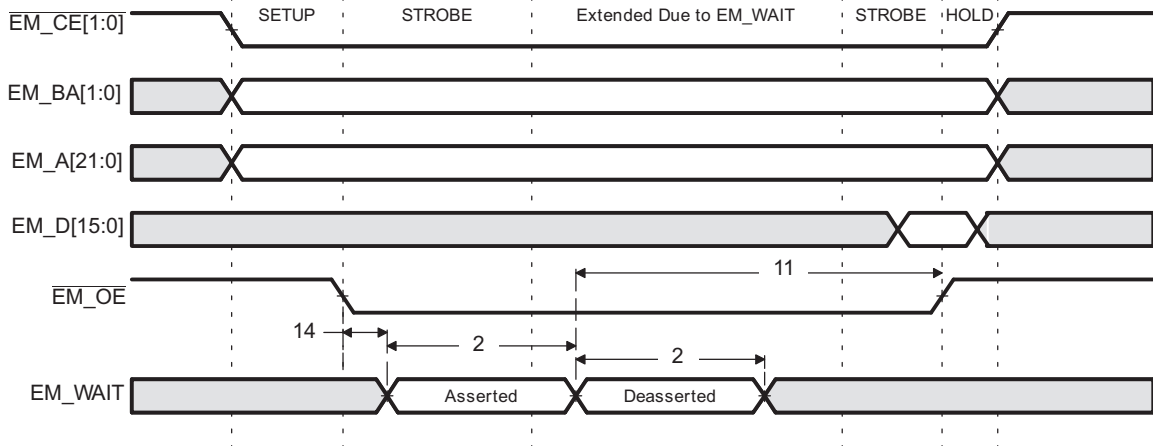


Figure 6-15. EM_WAIT Read Timing Requirements

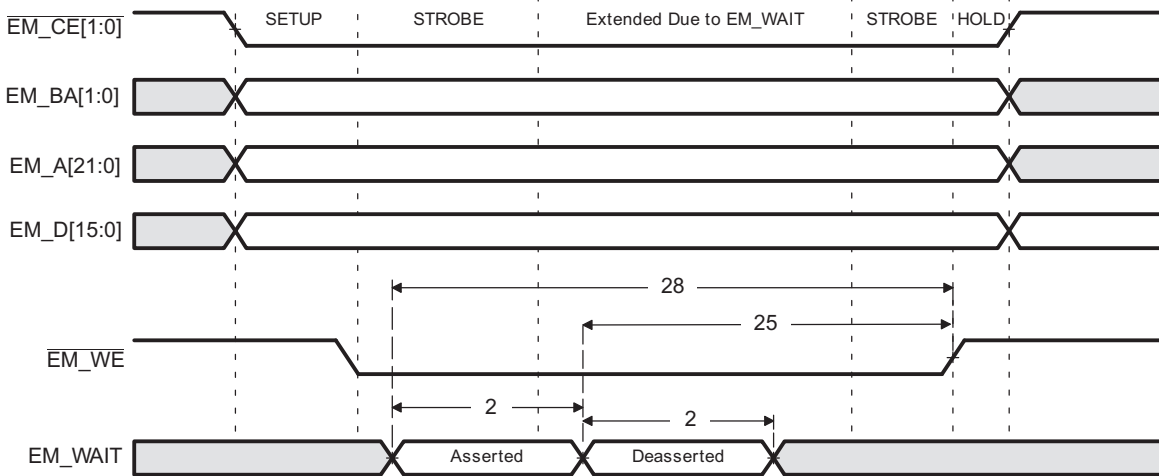


Figure 6-16. EM_WAIT Write Timing Requirements

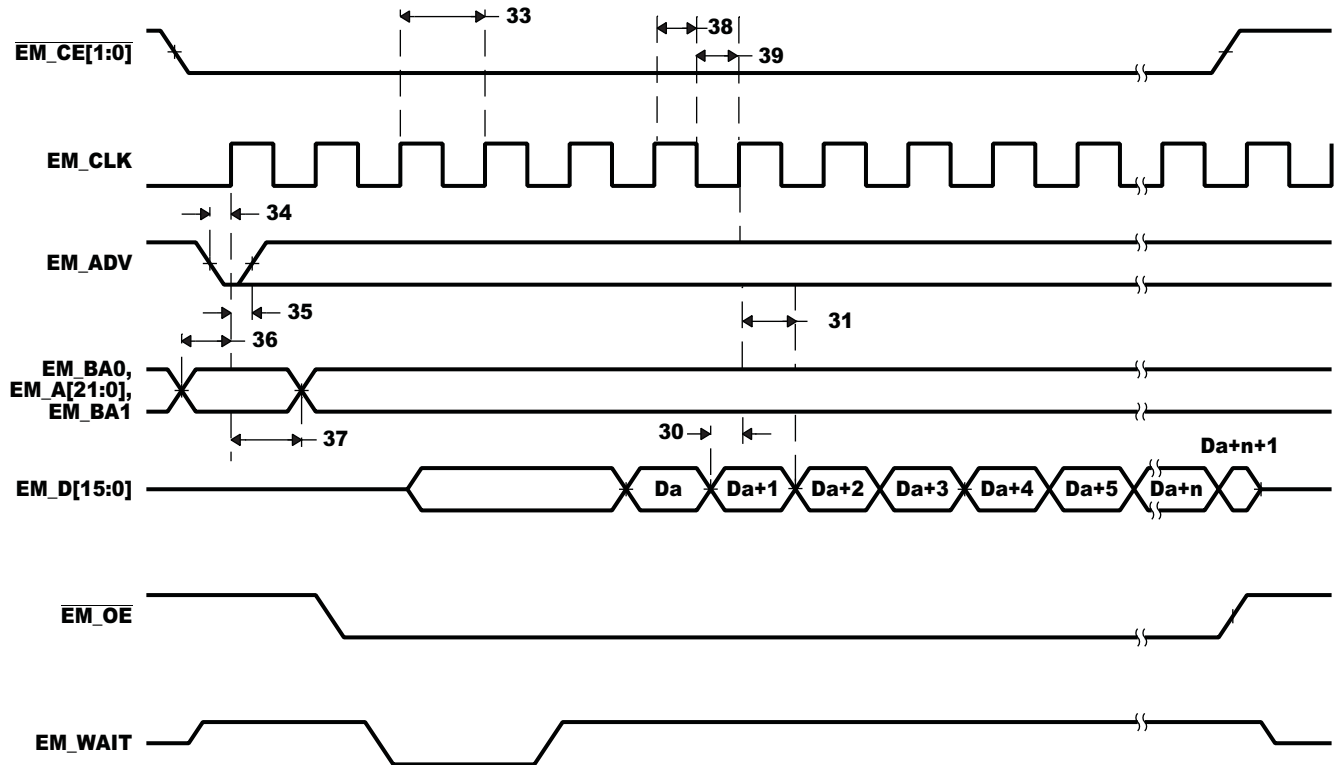


Figure 6-17. Synchronous OneNAND Flash Read Timing

6.10.2 DDR2/mDDR Memory Controller

The DDR2 / mDDR Memory Controller is a dedicated interface to DDR2 / mDDR SDRAM. It supports JESD79D-2A standard compliant DDR2 SDRAM devices and compliant Mobile DDR SDRAM devices. DDR2 / mDDR SDRAM plays a key role in a device-based system. Such a system is expected to require a significant amount of high-speed external memory for all of the following functions:

- Buffering of input image data from sensors or video sources
- Intermediate buffering for processing/resizing of image data in the VPFE
- Numerous OSD display buffers
- Intermediate buffering for large raw Bayer data image files while performing image processing functions
- Buffering for intermediate data while performing video encode and decode functions
- Storage of executable code for the ARM

The DDR2 / mDDR Memory Controller supports the following features:

- JESD79D-2A standard compliant DDR2 SDRAM
- Mobile DDR SDRAM
- 256 MByte memory space
- Data bus width 16 bits
- CAS latencies:
 - DDR2: 2, 3, 4, and 5
 - mDDR: 2 and 3
- Internal banks:
 - DDR2: 1, 2, 4, and 8
 - mDDR: 1, 2, and 4
- Burst length: 8
- Burst type: sequential
- 1 CS signal
- Page sizes: 256, 512, 1024, and 2048
- SDRAM autoinitialization
- Self-refresh mode
- Partial array self-refresh (for mDDR)
- Power down mode
- Prioritized refresh
- Programmable refresh rate and backlog counter
- Programmable timing parameters
- Little endian

For details on the DDR2 Memory Controller, see the *TMS320DM36x DMSoC DDR2/mDDR Memory Controller User's Guide* (literature number [SPRUFI2](#)).

6.10.3 DDR2 Memory Controller Electrical Data/Timing

Table 6-23. Switching Characteristics Over Recommended Operating Conditions for DDR2 Memory Controller⁽¹⁾ ⁽²⁾(see)

| NO. | PARAMETER | | MIN | MAX | UNIT | |
|-----|-------------------------|--------------------|---|-----|------|-----|
| 1 | t _{f(DDR_CLK)} | Frequency, DDR_CLK | 340-DDR2 (supported for 432-MHz device) | 90 | 340 | MHz |
| | | | mDDR (supported for 432-MHz device) | 90 | 168 | |

(1) DDR_CLK = PLLC1.SYSCLK7/2 or PLLC2.SYSCLK3/2.

(2) The PLL2 Controller **must** be programmed such that the resulting DDR_CLK clock frequency is within the specified range.

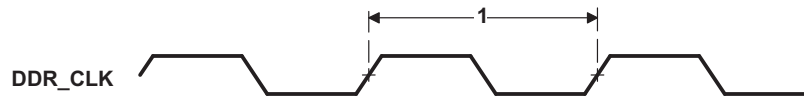


Figure 6-18. DDR2 Memory Controller Clock Timing

6.10.3.1 DDR2/mDDR Interface

This section provides the timing specification for the DDR2/mDDR interface as a PCB design and manufacturing specification. The design rules constrain PCB trace length, PCB trace skew, signal integrity, cross-talk, and signal timing. These rules, when followed, result in a reliable DDR2/mDDR memory system without the need for a complex timing closure process. For more information regarding guidelines for using this DDR2 specification, *Understanding TI's PCB Routing Rule-Based DDR2 Timing Specification* ([SPRAAV0](#)).

6.10.3.1.1 DDR2/mDDR Interface Schematic

[Figure 6-19](#) shows the DDR2/mDDR interface schematic for a single-memory DDR2/mDDR system. The dual-memory system shown in [Figure 6-20](#). Pin numbers for the device can be obtained from the pin description section.

6.10.3.1.2 Compatible JEDEC DDR2/mDDR Devices

[Table 6-24](#) shows the parameters of the JEDEC DDR2/mDDR devices that are compatible with this interface. Generally, the DDR2/mDDR interface is compatible with x16 DDR2/mDDR devices.

The device also supports JEDEC DDR2/mDDR x8 devices in the dual chip configuration. In this case, one chip supplies the upper byte and the second chip supplies the lower byte. Addresses and most control signals are shared just like regular dual chip memory configurations.

Table 6-24. Compatible JEDEC DDR2/mDDR Devices

| No. | Parameter | Min | Max | Unit | Notes |
|-----|------------------------------------|----------------------------|-----|---------|---|
| 1 | JEDEC DDR2/mDDR Device Speed Grade | DDR2-800 (for 340MHz DDR2) | | | See Notes ⁽¹⁾ , ⁽²⁾ |
| | | mDDR-400 (for 168MHz mDDR) | | | See Notes ⁽¹⁾ , ⁽³⁾ |
| 2 | JEDEC DDR2/mDDR Device Bit Width | x8 | x16 | Bits | |
| 3 | JEDEC DDR2/mDDR Device Count | 1 | 2 | Devices | See Note ⁽⁴⁾ |

(1) Higher DDR2/mDDR speed grades are supported due to inherent JEDEC DDR2/mDDR backwards compatibility.

(2) Used for DDR2.

(3) Used for mobile DDR.

(4) Supported configurations are one 16-bit DDR2/mDDR memory or two 8-bit DDR2/mDDR memories.

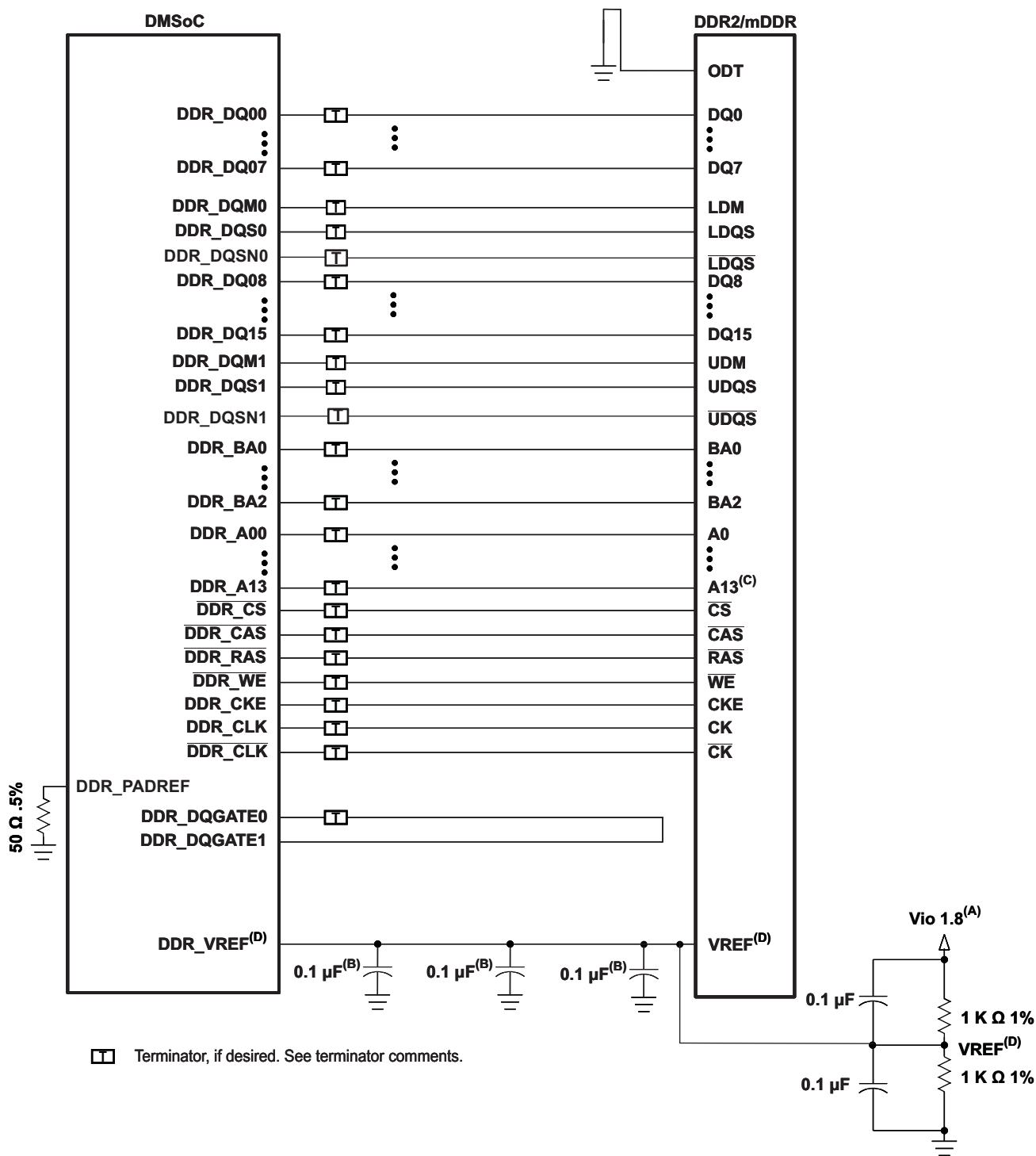
6.10.3.1.3 PCB Stack Up

The minimum stack up required for routing the device is a six layer stack as shown in [Table 6-25](#). Additional layers may be added to the PCB stack up to accommodate other circuitry or to reduce the size of the PCB footprint.

Table 6-25. Minimum PCB Stack Up

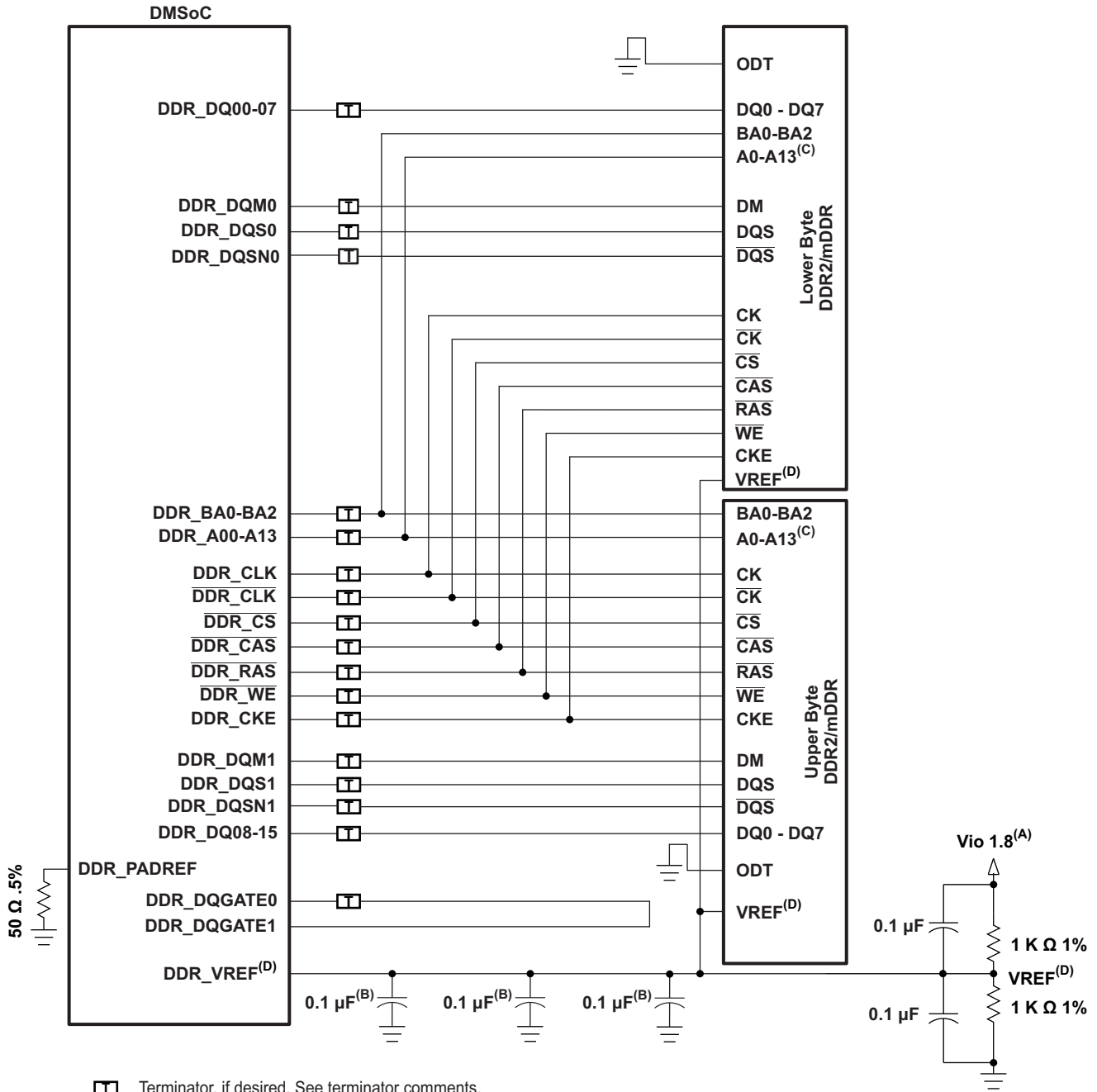
| Layer | Type | Description |
|-------|--------|--------------------------------|
| 1 | Signal | Top Routing Mostly Horizontal |
| 2 | Plane | Ground |
| 3 | Plane | Power |
| 4 | Signal | Internal Routing |
| 5 | Plane | Ground |
| 6 | Signal | Bottom Routing Mostly Vertical |

Complete stack up specifications are provided below.



- A. Vio 1.8 is the power supply for the DDR2/mDDR memories and the DM36x DDR2/mDDR interface.
- B. One of these capacitors can be eliminated if the divider and its capacitors are placed near a device VREF pin. In the case of mobile DDR, these capacitors can be eliminated completely.
- C. When present, A13 signals should be connected.
- D. VREF applies in the case of DDR2 memories. For mDDR the DMSoC DDR_VREF pin still needs to be connected to the divider circuit.

Figure 6-19. DDR2/mDDR Single-Memory High Level Schematic



- Terminator, if desired. See terminator comments.
- A. Vio 1.8 is the power supply for the DDR2/mDDR memories and the DM36x DDR2/mDDR interface.
- B. One of these capacitors can be eliminated if the divider and its capacitors are placed near a device VREF pin. In the case of mobile DDR, these capacitors can be eliminated completely.
- C. When present, A13 signals should be connected.
- D. VREF applies in the case of DDR2 memories. For mDDR the DMSoC DDR_VREF pin still needs to be connected to the divider circuit.

Figure 6-20. DDR2/mDDR Dual-Memory High Level Schematic

Table 6-26. PCB Stack Up Specifications⁽¹⁾

| No. | Parameter | Min | Typ | Max | Unit | Notes |
|-----|---|-----|-----|-----|------|-------------------------|
| 1 | PCB Routing/Plane Layers | | 6 | | | |
| 2 | Signal Routing Layers | | 3 | | | |
| 3 | Full ground layers under DDR2/mDDR routing Region | 2 | | | | |
| 4 | Number of ground plane cuts allowed within DDR routing region | | | 0 | | |
| 5 | Number of ground reference planes required for each DDR2/mDDR routing layer | 1 | | | | |
| 6 | Number of layers between DDR2/mDDR routing layer and reference ground plane | | | 0 | | |
| 7 | PCB Routing Feature Size | | 4 | | Mils | |
| 8 | PCB Trace Width w | | 4 | | Mils | |
| 9 | DMSoC Device BGA pad size | | 0.3 | | mm | |
| 10 | DDR2/mDDR Device BGA pad size | | | | | See Note ⁽²⁾ |
| 11 | Single Ended Impedance, Z ₀ | 50 | | 75 | Ω | |
| 12 | Impedance Control | Z-5 | Z | Z+5 | Ω | See Note ⁽³⁾ |

- (1) Consult the PCB fabricator to determine their preference for escape via size.
- (2) Please refer to the DDR2/mDDR device manufacturer documentation for the DDR2/mDDR device BGA pad size.
- (3) Z is the nominal singled ended impedance selected for the PCB specified by item 12.

6.10.3.1.4 Placement

Figure 6-21 shows the required placement for the device as well as the DDR2/mDDR devices. The dimensions for Figure 6-21 are defined in Table 6-27. The placement does not restrict the side of the PCB that the devices are mounted on. The ultimate purpose of the placement is to limit the maximum trace lengths and allow for proper routing space. For single-memory DDR2/mDDR systems, the second DDR2/mDDR device is omitted from the placement.

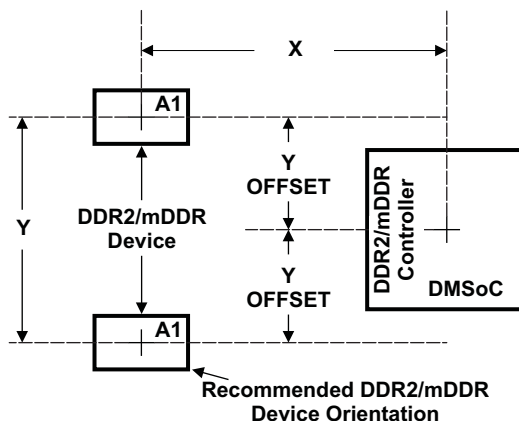


Figure 6-21. DM368 and DDR2/mDDR Device Placement

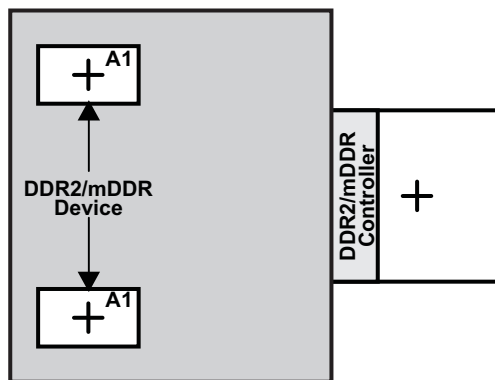
Table 6-27. Placement Specifications

| No. | Parameter | Min | Max | Unit | Notes |
|-----|---|-----|------|------|--|
| 1 | X | | 1750 | Mils | See Notes ⁽¹⁾ , ⁽²⁾ |
| 2 | Y | | 1280 | Mils | See Notes ⁽¹⁾ , ⁽²⁾ |
| 3 | Y Offset | | 650 | Mils | See Notes ⁽¹⁾ , ⁽²⁾ , ⁽³⁾ |
| 4 | DDR2/mDDR Keepout Region | | | | See Note ⁽⁴⁾ |
| 5 | Clearance from non-DDR2/mDDR signal to DDR2/mDDR Keepout Region | 4 | | w | See Note ⁽⁵⁾ |

- (1) See [Figure 6-19](#) for dimension definitions.
- (2) Measurements from center of DMSoC device to center of DDR2/mDDR device.
- (3) For single memory systems it is recommended that Y Offset be as small as possible.
- (4) DDR2/mDDR Keepout region to encompass entire DDR2/mDDR routing area
- (5) Non-DDR2/mDDR signals allowed within DDR2/mDDR keepout region provided they are separated from DDR2/mDDR routing layers by a ground plane.

6.10.3.1.5 DDR2/mDDR Keep Out Region

The region of the PCB used for the DDR2/mDDR circuitry must be isolated from other signals. The DDR2/mDDR keep out region is defined for this purpose and is shown in [Figure 6-22](#). The size of this region varies with the placement and DDR routing. Additional clearances required for the keep out region are shown in [Table 6-27](#).



Region should encompass all DDR2/mDDR circuitry and varies depending on placement. Non-DDR2/mDDR signals should not be routed on the DDR signal layers within the DDR2/mDDR keep out region. Non-DDR2/mDDR signals may be routed in the region provided they are routed on layers separated from DDR2/mDDR signal layers by a ground layer. No breaks should be allowed in the reference ground layers in this region. In addition, the 1.8 V power plane should cover the entire keep out region.

Figure 6-22. DDR2/mDDR Keepout Region

6.10.3.1.6 Bulk Bypass Capacitors

Bulk bypass capacitors are required for moderate speed bypassing of the DDR2/mDDR and other circuitry. [Table 6-28](#) contains the minimum numbers and capacitance required for the bulk bypass capacitors. Note that this table only covers the bypass needs of the DMSoC and DDR2/mDDR interfaces. Additional bulk bypass capacitance may be needed for other circuitry.

Table 6-28. Bulk Bypass Capacitors

| No. | Parameter | Min | Max | Unit | Notes |
|-----|---|-----|-----|---------|--------------------|
| 1 | V _{DD18_DDR} Bulk Bypass Capacitor Count | 3 | | Devices | See Note (1) |
| 2 | V _{DD18_DDR} Bulk Bypass Total Capacitance | 30 | | uF | |
| 3 | DDR#1 Bulk Bypass Capacitor Count | 1 | | Devices | See Note (1) |
| 4 | DDR#1 Bulk Bypass Total Capacitance | 22 | | uF | |
| 5 | DDR#2 Bulk Bypass Capacitor Count | 1 | | Devices | See Notes (1), (2) |
| 6 | DDR#2 Bulk Bypass Total Capacitance | 22 | | uF | See Note (2) |

(1) These devices should be placed near the device they are bypassing, but preference should be given to the placement of the high-speed (HS) bypass caps.

(2) Only used on dual-memory systems

6.10.3.1.7 High-Speed Bypass Capacitors

High-speed (HS) bypass capacitors are critical for proper DDR2/mDDR interface operation. It is particularly important to minimize the parasitic series inductance of the HS bypass cap, DMSoC/DDR2/mDDR power, and DMSoC/DDR2/mDDR ground connections. [Table 6-29](#) contains the specification for the HS bypass capacitors as well as for the power connections on the PCB.

6.10.3.1.8 Net Classes

[Table 6-30](#) lists the clock net classes for the DDR2/mDDR interface. [Table 6-31](#) lists the signal net classes, and associated clock net classes, for the signals in the DDR2/mDDR interface. These net classes are used for the termination and routing rules that follow.

Table 6-29. High-Speed Bypass Capacitors

| No. | Parameter | Min | Max | Unit | Notes |
|-----|---|-----|------|---------|-------------------------------|
| 1 | HS Bypass Capacitor Package Size | | 0402 | 10 Mils | See Note ⁽¹⁾ |
| 2 | Distance from HS bypass capacitor to device being bypassed | | 250 | Mils | |
| 3 | Number of connection vias for each HS bypass capacitor | 2 | | Vias | See Note ⁽²⁾ |
| 4 | Trace length from bypass capacitor contact to connection via | 1 | 30 | Mils | |
| 5 | Number of connection vias for each DDR2/mDDR device power or ground balls | 1 | | Vias | |
| 6 | Trace length from DDR2/mDDR device power ball to connection via | | 35 | Mils | |
| 7 | V _{DD18_DDR} HS Bypass Capacitor Count | 10 | | Devices | See Note ⁽³⁾ |
| 8 | V _{DD18_DDR} HS Bypass Capacitor Total Capacitance | 1.2 | | uF | |
| 9 | DDR#1 HS Bypass Capacitor Count | 8 | | Devices | See Note ⁽³⁾ |
| 10 | DDR#1 HS Bypass Capacitor Total Capacitance | 0.4 | | uF | |
| 11 | DDR#2 HS Bypass Capacitor Count | 8 | | Devices | See Notes ^{(3), (4)} |
| 12 | DDR#2 HS Bypass Capacitor Total Capacitance | 0.4 | | uF | See Note ⁽⁴⁾ |

(1) LxW, 10 mil units, i.e., a 0402 is a 40x20 mil surface mount capacitor

(2) An additional HS bypass capacitor can share the connection vias only if it is mounted on the opposite side of the board.

(3) These devices should be placed as close as possible to the device being bypassed.

(4) Only used on dual-memory systems

Table 6-30. Clock Net Class Definitions

| Clock Net Class | DMSoC Pin Names |
|-----------------|-------------------|
| CK | DDR_CLK/DDR_CLK |
| DQS0 | DDR_DQS0/DDR_DQS0 |
| DQS1 | DDR_DQS1/DDR_DQS1 |

Table 6-31. Signal Net Class Definitions

| Clock Net Class | Associated Clock Net Class | DMSoC Pin Names |
|-----------------|----------------------------|---|
| ADDR_CTRL | CK | DDR_BA[2:0], DDR_A[13:0], DDR_CS, DDR_CAS, DDR_RAS, DDR_WE, DDR_CKE |
| DQ0 | DQS0 | DDR_DQ[7:0], DDR_DQM0 |
| DQ1 | DQS1 | DDR_DQ[15:8], DDR_DQM1 |
| DQGATE | CK, DQS0, DQS1 | DDR_DQGATE0, DDR_DQGATE1 |

6.10.3.1.9 DDR2/mDDR Signal Termination

No terminations of any kind are required in order to meet signal integrity and overshoot requirements. Serial terminators are permitted, if desired, to reduce EMI risk; however, serial terminations are the only type permitted. [Table 6-32](#) shows the specifications for the series terminators.

Table 6-32. DDR2/mDDR Signal Terminations

| No. | Parameter | Min | Typ | Max | Unit | Notes |
|-----|--|-----|-----|-----|----------|---|
| 1 | CK Net Class | 0 | | 10 | Ω | See Note ⁽¹⁾ |
| 2 | ADDR_CTRL Net Class | 0 | 22 | Zo | Ω | See Notes ⁽¹⁾ , ⁽²⁾ , ⁽³⁾ |
| 3 | Data Byte Net Classes (DQS0-DQS1, DQ0-DQ1) | 0 | 22 | Zo | Ω | See Notes ⁽¹⁾ , ⁽²⁾ , ⁽³⁾ , ⁽⁴⁾ |
| 4 | DQGATE Net Class (DQGATE) | 0 | 10 | Zo | Ω | See Notes ⁽¹⁾ , ⁽²⁾ , ⁽³⁾ |

- (1) Only series termination is permitted, parallel or SST specifically disallowed.
- (2) Terminator values larger than typical only recommended to address EMI issues.
- (3) Termination value should be uniform across net class.
- (4) When no termination is used on data lines (0 Ω s), the DDR2/mDDR devices must be programmed to operate in 60% strength mode.

6.10.3.1.10 VREF Routing

VREF is used as a reference by the input buffers of the DDR2/mDDR memories as well as the device. VREF is intended to be the DDR2/mDDR power supply voltage and should be created using a resistive divider as shown in Figure 6-19. Other methods of creating VREF are not recommended. Figure 6-23 shows the layout guidelines for VREF.

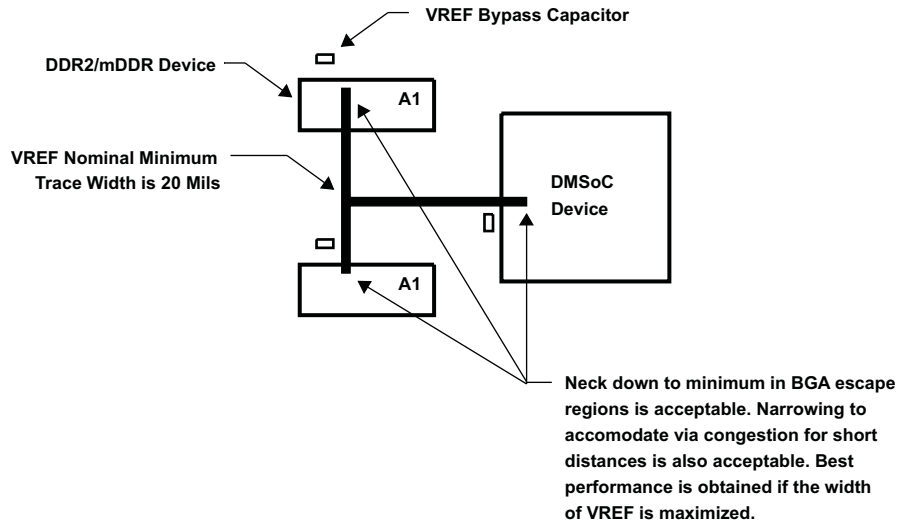


Figure 6-23. VREF Routing and Topology

6.10.3.1.11 DDR2/mDDR CK and ADDR_CTRL Routing

Figure 6-24 shows the topology of the routing for the CK and ADDR_CTRL net classes. The route is a balanced T as it is intended that the length of segments B and C be equal. In addition, the length of A should be maximized.

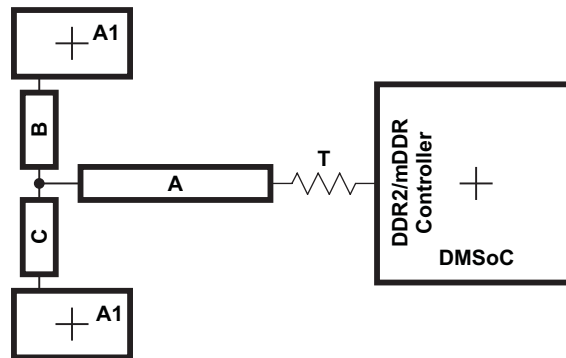


Figure 6-24. CK and ADDR_CTRL Routing and Topology

Table 6-33. CK and ADDR_CTRL Routing Specification ⁽¹⁾

| No | Parameter | Min | Typ | Max | Unit | Notes |
|----|---|----------|-------|----------|------|-------------------------|
| 1 | Center to center DQS-DQSN spacing | | | 2w | | |
| 2 | CK A to B/A to C Skew Length Mismatch | | | 25 | Mils | See Note ⁽¹⁾ |
| 3 | CK B to C Skew Length Mismatch | | | 25 | Mils | |
| 4 | Center to center CK to other DDR2/mDDR trace spacing | 4w | | | | See Note ⁽²⁾ |
| 5 | CK/ADDR_CTRL nominal trace length | CACLM-50 | CACLM | CACLM+50 | Mils | See Note ⁽³⁾ |
| 6 | ADDR_CTRL to CK Skew Length Mismatch | | | 100 | Mils | |
| 7 | ADDR_CTRL to ADDR_CTRL Skew Length Mismatch | | | 100 | Mils | |
| 8 | Center to center ADDR_CTRL to other DDR2/mDDR trace spacing | 4w | | | | See Note ⁽²⁾ |
| 9 | Center to center ADDR_CTRL to other ADDR_CTRL trace spacing | 3w | | | | See Note ⁽²⁾ |
| 10 | ADDR_CTRL A to B/A to C Skew Length Mismatch | | | 100 | Mils | See Note ⁽¹⁾ |
| 11 | ADDR_CTRL B to C Skew Length Mismatch | | | 100 | Mils | |

- (1) Series terminator, if used, should be located closest to DMSoC.
- (2) Center to center spacing is allowed to fall to minimum (w) for up to 500 mils of routed length to accommodate BGA escape and routing congestion.
- (3) CACLM is the longest Manhattan distance of the CK and ADDR_CTRL net classes.

Figure 6-25 shows the topology and routing for the DQS and DQ net classes; the routes are point to point. Skew matching across bytes is not needed nor recommended.

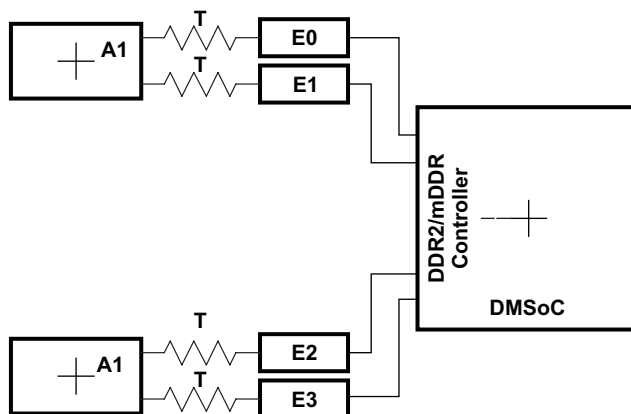


Figure 6-25. DQS and DQ Routing and Topology

Table 6-34. DQS and DQ Routing Specification

| No. | Parameter | Min | Typ | Max | Unit | Notes |
|-----|---|---------|------|---------|------|---|
| 1 | Center to center DQS-DQSN spacing | | | 2w | | |
| 2 | DQS E Skew Length Mismatch | | | 25 | Mils | |
| 3 | Center to center DQS to other DDR2/mDDR trace spacing | 4w | | | | See Note ⁽¹⁾ |
| 4 | DQS/DQ nominal trace length | DQLM-50 | DQLM | DQLM+50 | Mils | See Notes ⁽²⁾ , ⁽³⁾ |
| 5 | DQ to DQS Skew Length Mismatch | | | 100 | Mils | See Note ⁽³⁾ |
| 6 | DQ to DQ Skew Length Mismatch | | | 100 | Mils | See Note ⁽³⁾ |
| 7 | DQ to DQ/DQS via Count Mismatch | | | 1 | Vias | ⁽⁴⁾ ⁽³⁾ |
| 8 | Center to center DQ to other DDR2/mDDR trace spacing | 4w | | | | See Notes ⁽¹⁾ , ⁽⁵⁾ |
| 9 | Center to Center DQ to other DQ trace spacing | 3w | | | | See Notes ⁽⁶⁾ , ⁽¹⁾ |
| 10 | DQ/DQS E Skew Length Mismatch | | | 100 | Mils | See Note ⁽³⁾ |

- (1) Center to center spacing is allowed to fall to minimum (w) for up to 500 mils of routed length to accommodate BGA escape and routing congestion.
- (2) Series terminator, if used, should be located closest to DDR.
- (3) There is no need and it is not recommended to skew match across data bytes, i.e., from DQS0 and data byte 0 to DQS1 and data byte 1.
- (4) CACLm is the longest Manhattan distance of the CK and ADDR_CTRL net classes.
- (5) DQ's from other DQS domains are considered *other DDR2/mDDR trace*.
- (6) DQLM is the longest Manhattan distance of each of the DQS and DQ net classes.

Figure 6-26 shows the routing for the DQGATE net classes. Table 6-35 contains the routing specification.

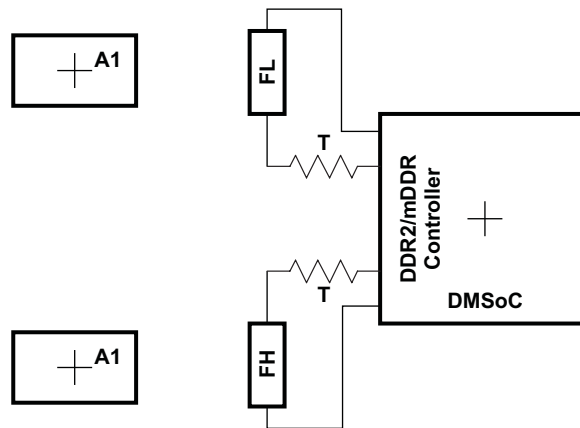


Figure 6-26. DQGATE Routing

Table 6-35. DQGATE Routing Specification

| No. | Parameter | Min | Typ | Max | Unit | Notes |
|-----|--|---------|--------|---------|------|-------------------------|
| 1 | DQGATE Length F | | CKB0B1 | | | See Note ⁽¹⁾ |
| 3 | Center to center DQGATE to any other trace spacing | 4w | | | | |
| 4 | DQS/DQ nominal trace length | DQLM-50 | DQLM | DQLM+50 | Mils | |
| 5 | DQGATE Skew | | | 100 | Mils | See Note ⁽²⁾ |

(1) CKB0B1 is the sum of the length of the CK net plus the average length of the DQS0 and DQS1 nets.

(2) Skew from CKB0B1

6.11 MMC/SD

The device includes MMC/SD Controllers which are compliant with MMC V3.31, Secure Digital Part 1 Physical Layer Specification V1.1 and Secure Digital Input Output (SDIO) V2.0 specifications.

The device MMC/SD Controller has following features:

- MultiMediaCard (MMC)
- Secure Digital (SD) Memory Card
- MMC/SD protocol support
- SDIO protocol support
- Programmable clock frequency
- 512 bit Read/Write FIFO to lower system overhead
- Slave EDMA transfer capability
- SD High Capacity support

The device MMC/SD Controller does not support SPI mode.

6.11.1 MMC/SD Peripheral Register Description(s)

Table 6-36 lists the MMC/SD registers, their corresponding acronyms, and device memory locations (offsets).

Table 6-36. Multimedia Card/Secure Digital (MMC/SD) Card Controller Registers

| OFFSET | ACRONYM | REGISTER DESCRIPTION |
|--------|------------|---------------------------------------|
| 00h | MMCCTL | MMC Control Register |
| 04h | MMCCLK | MMC Memory Clock Control Register |
| 08h | MMCST0 | MMC Status Register 0 |
| 0Ch | MMCST1 | MMC Status Register 1 |
| 10h | MMCIM | MMC Interrupt Mask Register |
| 14h | MMCTOR | MMC Response Time-Out Register |
| 18h | MMCTOD | MMC Data Read Time-Out Register |
| 1Ch | MMCBLEN | MMC Block Length Register |
| 20h | MMCNBLK | MMC Number of Blocks Register |
| 24h | MMCNBLC | MMC Number of Blocks Counter Register |
| 28h | MMCDRR | MMC Data Receive Register |
| 2Ch | MMCDXR | MMC Data Transmit Register |
| 30h | MMCCMD | MMC Command Register |
| 34h | MMCARGHL | MMC Argument Register |
| 38h | MMCRSP01 | MMC Response Register 0 and 1 |
| 3Ch | MMCRSP23 | MMC Response Register 2 and 3 |
| 40h | MMCRSP45 | MMC Response Register 4 and 5 |
| 44h | MMCRSP67 | MMC Response Register 6 and 7 |
| 48h | MMCDRSP | MMC Data Response Register |
| 50h | MMCCIDX | MMC Command Index Register |
| 64h | SDIOCTL | SDIO Control Register |
| 68h | SDIOST0 | SDIO Status Register 0 |
| 6Ch | SDIOIEN | SDIO Interrupt Enable Register |
| 70h | SDIOIST | SDIO Interrupt Status Register |
| 74h | MMCFIFOCTL | MMC FIFO Control Register |

6.11.2 MMC/SD Electrical Data/Timing

Table 6-37. Timing Requirements for MMC/SD Module (see Figure 6-28 and Figure 6-30)

| NO. | | | DEVICE | | | | UNIT |
|-----|---------------------|--|-----------|-----|---------------|-----|------|
| | | | FAST MODE | | STANDARD MODE | | |
| | | | MIN | MAX | MIN | MAX | |
| 1 | $t_{su}(CMDV-CLKH)$ | Setup time, SD_CMD valid before SD_CLK high | 2.7 | | 2.7 | | ns |
| 2 | $t_h(CLKH-CMDV)$ | Hold time, SD_CMD valid after SD_CLK high | 2.5 | | 2.5 | | ns |
| 3 | $t_{su}(DATV-CLKH)$ | Setup time, SD_DATx valid before SD_CLK high | 2.7 | | 2.7 | | ns |
| 4 | $t_h(CLKH-DATV)$ | Hold time, SD_DATx valid after SD_CLK high | 2.5 | | 2.5 | | ns |

Table 6-38. Switching Characteristics Over Recommended Operating Conditions for MMC/SD Module (see Figure 6-27 through Figure 6-30)

| NO. | PARAMETER | DEVICE | | | | UNIT | | |
|-----|-----------------|--|-----|---------------|-----|------|-----|-----|
| | | FAST MODE | | STANDARD MODE | | | | |
| | | MIN | MAX | MIN | MAX | | | |
| 7 | $f_{(CLK)}$ | Operating frequency, SD_CLK | | 0 | 50 | 0 | 25 | MHz |
| 8 | $f_{(CLK_ID)}$ | Identification mode frequency, SD_CLK | | 0 | 400 | 0 | 400 | KHz |
| 9 | $t_w(CLKL)$ | Pulse width, SD_CLK low | | 6.5 | | 6.5 | | ns |
| 10 | $t_w(CLKH)$ | Pulse width, SD_CLK high | | 6.5 | | 6.5 | | ns |
| 11 | $t_r(CLK)$ | Rise time, SD_CLK | | | 3 | | 3 | ns |
| 12 | $t_f(CLK)$ | Fall time, SD_CLK | | | 3 | | 3 | ns |
| 13 | $t_d(CLKL-CMD)$ | Delay time, SD_CLK low to SD_CMD transition | | -4.1 | 1.5 | -4.1 | 1.5 | ns |
| 14 | $t_d(CLKL-DAT)$ | Delay time, SD_CLK low to SD_DATx transition | | -4.1 | 1.5 | -4.1 | 1.5 | ns |

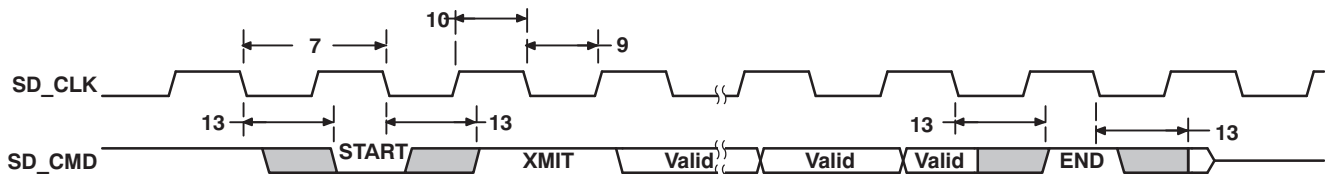


Figure 6-27. MMC/SD Host Command Timing

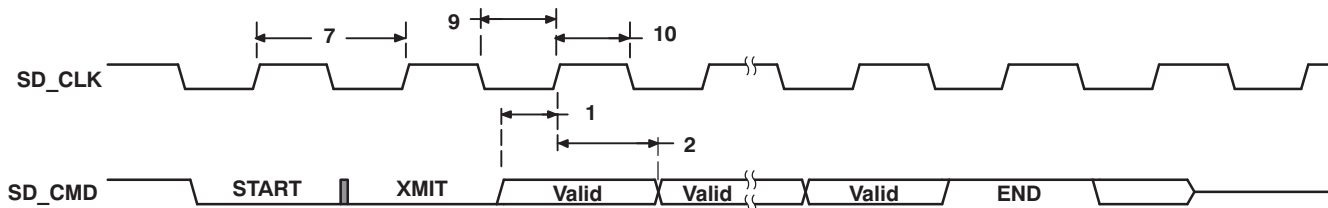


Figure 6-28. MMC/SD Card Response Timing

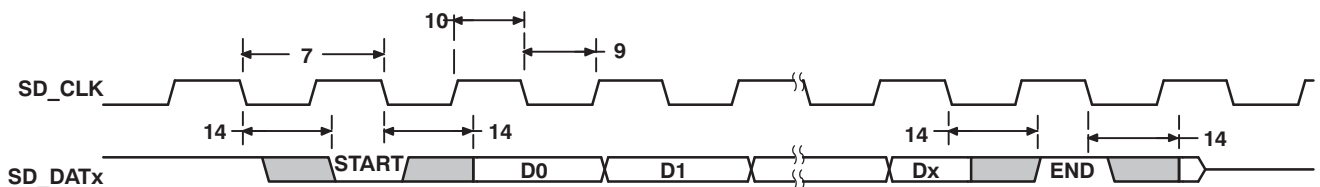


Figure 6-29. MMC/SD Host Write Timing

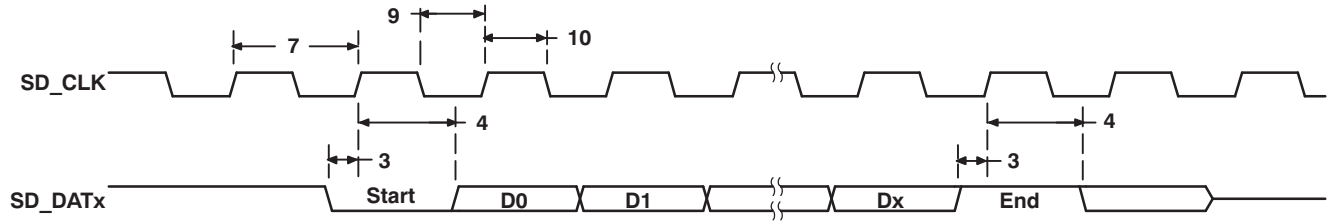


Figure 6-30. MMC/SD Host Read and Card CRC Status Timing

6.12 Video Processing Subsystem (VPSS) Overview

The device contains a Video Processing Subsystem (VPSS) that provides an input interface (Video Processing Front End or VPFE) for external imaging peripherals such as image sensors, video decoders, etc.; and an output interface (Video Processing Back End or VPBE) for display devices, such as analog SDTV/HDTV displays, digital LCD panels, etc.

In addition to these peripherals, there is a set of common buffer memory and DMA control to ensure efficient use of the DDR2/mDDR burst bandwidth. The shared buffer logic/memory is a unique block that is tailored for seamlessly integrating the VPSS into an image/video processing system. It acts as the primary source or sink to all the VPFE and VPBE modules that are either requesting or transferring data from/to DDR2/mDDR. In order to efficiently utilize the external DDR2/mDDR bandwidth, the shared buffer logic/memory interfaces with the DMA system via a high bandwidth bus (64-bit wide). The shared buffer logic/memory also interfaces with all the VPFE and VPBE modules via a 128-bit wide bus. The shared buffer logic/memory (divided into the read & write buffers and arbitration logic) is capable of performing the following functions. It is imperative that the VPSS utilize DDR2/mDDR bandwidth efficiently due to both its large bandwidth requirements and the real-time requirements of the VPSS modules. Because it is possible to configure the VPSS modules in such a way that DDR2/mDDR bandwidth is exceeded, a set of user accessible registers is provided to monitor overflows or failures in data transfers.

NOTE

DM368 does not support the Hardware 3A statistics collection module (H3A).

6.12.1 Video Processing Front-End (VPFE)

The VPFE or Video Processing Front-End block is comprised of the Image Sensor Interface (ISIF), Image Pipe (IPIPE), Image Pipe Interface (IPIPEIF), and a Hardware Face Detect Engine. These modules are described in the sections that follow.

The VPFE sub-module register memory mapping is shown in [Table 6-39](#).

Table 6-39. Video Processing Front End Sub-Module Register Map

| Address:Offset | Acronym | Register Description |
|------------------------------|---------------|-----------------------------------|
| 0x01C7:0000 | ISP | ISP System Configuration |
| 0x01C7:0200 | VPBE_CLK_CTRL | VPBE Clock Control |
| 0x01C7:0400 | RSZ | Resizer |
| 0x01C7:0800 | IPIPE | Image Pipe |
| 0x01C7:1000 | ISIF | Image Sensor Interface |
| 0x01C7:1200 | IPIPEIF | Image Pipe Interface |
| 0x01C7:1400 - 0x01C7:17FF | Reserved | Reserved |
| 0x01C7:1800 | FDIF | Face Detection Register Interface |
| 0x01C7:1C00 | OSD | VPBE On-Screen Display |
| 0x01C7:1D00 - 0x01C7:1DFF | Reserved | Reserved |
| 0x01C7:1E00 | VENC | VPBE Video Encoder |
| 0x01C7:2000 - 0x01CF:FFFF | Reserved | Reserved |

6.12.1.1 Image Sensor Interface (ISIF)

The ISIF is responsible for accepting raw (unprocessed) image/video data from a sensor (CMOS or CCD). In addition, the ISIF can accept YUV video data in numerous formats, typically from so-called video decoder devices. In case of raw inputs, the ISIF output requires additional image processing to transform the raw input image to the final processed image. This processing can be done either on-the-fly in IPIPE or in software on the ARM and MPEG/JPEG and HD Video Image coprocessor subsystems. The ISIF is programmed via control and parameter registers. The following features are supported by the ISIF module.

- Support for conventional Bayer pattern, pixel summation mode, and RGB stripe sensor formats.
- Support for the various pixel summation mode formats is provided via a data reformatter of ISIF, which transforms any specific sensor formats to the Bayer format. The maximum line width supported by the reformatter is 4736 pixels.
- Image processing steps applicable to RGB stripe sensors are limited to color-dependent gain control and black level offset control."
- Generates HD/VD timing signals and field ID to an external timing generator, or can synchronize to the external timing generator.
- Support for progressive and interlaced sensors (hardware support for up to 2 fields and firmware support for higher number of fields, typically 3-, 4-, and 5-field sensors).
- Support for up to 32K pixels (image size) in both the horizontal and vertical direction.
- Support for up to 120 MHz sensor clock.
- Support for ITU-R BT.656/1120 standard format.
- Support for YCbCr 422 format, either 8- or 16-bit with discrete HSYNC and VSYNC signals.
- Support for up to 16-bit input.
- Support for color space conversion.
- Digital clamp with Horizontal/Vertical offset drift compensation.
- Vertical Line defect correction based on a lookup table that contains defect position.
- Support for color-dependent gain control and black level offset control.
- Ability to control output to the DDR2/mDDR via an external write enable signal.
- Support for down sampling via programmable culling patterns.
- Support for 12-bit to 8-bit DPCM compression.
- Support for 10-bit to 8-bit A-law compression.
- Support for generating output to range 16-bits, 12-bits, and 8-bits wide (8-bits wide allows for 50% saving in storage area).
- OTF DPC
- Noise Filter
- 2D edge enhancement

The ISIF register memory mapping (offsets) is shown in [Table 6-40](#).

Table 6-40. Image Sensor Interface (ISIF) Registers

| Offset | Acronym | Register Description |
|--------|---------|--------------------------|
| 0h | SYNCEN | Synchronization Enable |
| 4h | MODESET | Mode Setup |
| 8h | HDW | HD pulse width |
| Ch | VDW | VD pulse width |
| 10h | PPLN | Pixels per line |
| 14h | LPFR | Lines per frame |
| 18h | SPH | Start pixel horizontal |
| 1Ch | LNH | Number of pixels in line |

Table 6-40. Image Sensor Interface (ISIF) Registers (continued)

| Offset | Acronym | Register Description |
|------------|-----------|---|
| 20h | SLV0 | Start line vertical - field 0 |
| 24h | SLV1 | Start line vertical - field 1 |
| 28h | LNv | Number of lines vertical |
| 2Ch | CULH | Culling - horizontal |
| 30h | CULV | Culling - vertical |
| 34h | HSIZE | Horizontal size |
| 38h | SDOFST | SDRAM Line Offset |
| 3Ch | CADU | SDRAM Address - high |
| 40h | CADL | SDRAM Address - low |
| 44h - 48h | Reserved | Reserved |
| 4Ch | CCOLP | CCD Color Pattern |
| 50h | CRGAIN | CCD Gain Adjustment - R/Ye |
| 54h | CGRGAIN | CCD Gain Adjustment - Gr/Cy |
| 58h | CGBGAIN | CCD Gain Adjustment - Gb/G |
| 5Ch | CBGAIN | CCD Gain Adjustment - B/Mg |
| 60h | COFSTA | CCD Offset Adjustment |
| 64h | FLSHCFG0 | FLSHCFG0 |
| 68h | FLSHCFG1 | FLSHCFG1 |
| 6Ch | FLSHCFG2 | FLSHCFG2 |
| 70h | VDINT0 | VD Interrupt #0 |
| 74h | VDINT1 | VD Interrupt #1 |
| 78h | VDINT2 | VD Interrupt #2 |
| 7Ch | Reserved | Reserved |
| 80h | CGAMMAWD | Gamma Correction settings |
| 84h | REC656IF | CCIR 656 Control |
| 88h | CCDCFG | CCD Configuration |
| 8Ch | DFCCTL | Defect Correction - Control |
| 90h | VDFSATLV | Defect Correction - Vertical Saturation Level |
| 94h | DFCMEMCTL | Defect Correction - Memory Control |
| 98h | DFCMEM0 | Defect Correction - Set V Position |
| 9Ch | DFCMEM1 | Defect Correction - Set H Position |
| A0h | DFCMEM2 | Defect Correction - Set SUB1 |
| A4h | DFCMEM3 | Defect Correction - Set SUB2 |
| A8h | DFCMEM4 | Defect Correction - Set SUB3 |
| ACh | CLAMPCFG | Black Clamp configuration |
| B0h | CLDCOFST | DC offset for Black Clamp |
| B4h | CLSV | Black Clamp Start position |
| B8h | CLHWIN0 | Horizontal Black Clamp configuration |
| BCh | CLHWIN1 | Horizontal Black Clamp configuration |
| C0h | CLHWIN2 | Horizontal Black Clamp configuration |
| C4h | CLVRV | Vertical Black Clamp configuration |
| C8h | CLVWIN0 | Vertical Black Clamp configuration |
| CCh | CLVWIN1 | Vertical Black Clamp configuration |
| D0h | CLVWIN2 | Vertical Black Clamp configuration |
| D4h | CLVWIN3 | Vertical Black Clamp configuration |
| D8h - 1A2h | Reserved | Reserved |
| 1A4h | CSCCTL | Color Space Converter Enable |

Table 6-40. Image Sensor Interface (ISIF) Registers (continued)

| Offset | Acronym | Register Description |
|--------|---------|---|
| 1A8h | CSCM0 | Color Space Converter - Coefficients #0 |
| 1ACh | CSCM1 | Color Space Converter - Coefficients #1 |
| 1B0h | CSCM2 | Color Space Converter - Coefficients #2 |
| 1B4h | CSCM3 | Color Space Converter - Coefficients #3 |
| 1B8h | CSCM4 | Color Space Converter - Coefficients #4 |
| 1BCh | CSCM5 | Color Space Converter - Coefficients #5 |
| 1C0h | CSCM6 | Color Space Converter - Coefficients #6 |
| 1C4h | CSCM7 | Color Space Converter - Coefficients #7 |

6.12.1.2 The Image Pipe Interface (IPIPEIF)

The IPIPEIF is data and sync signals interface module for ISIF and IPIPE. Data source of this module is sensor parallel port, ISIF or SDRAM and the selected data is output to ISIF and IPIPE. This module also outputs black frame subtraction (two-way) data which is generated by subtracting SDRAM data from sensor parallel port or ISIF data and vice versa. Depending on the functions performed, it may also readjust the HD, VD, and PCLK timing to the IPIPE and/or ISIF input.

The IPIPEIF module supports the following features:

- Up to 16-bit sensor data input
- Dark-frame subtract of raw image stored in SDRAM from image coming from sensor parallel port or ISIF
- 8-10, 8-12 DPCM decompression of 10-8, 12-8 compressed data in SDRAM
- Inverse ALAW decompression of RAW data from SDRAM
- (1,2,1) average filtering before horizontal decimation
- Horizontal decimation (downsizing) of input lines to <= 2160 maximum required by the IPIPE
- Gain multiply for output data to IPIPE
- Simple defect correction to prevent a subtraction of defect pixel
- 8-bit, 12-bit unpacking of 8-bit, 12-bit packed SDRAM data

The IPIPE register memory mapping (offsets) is shown in [Table 6-41](#).

Table 6-41. Image Pipe Input Interface (IPIPEIF) Registers

| Address | Acronym | Register Description |
|---------|---------|--|
| 0h | ENABLE | IPIPE I/F Enable |
| 4h | CFG1 | IPIPE I/F Configuration |
| 8h | PPLN | IPIPE I/F Interval of HD / Start pixel in HD |
| Ch | LPFR | IPIPE I/F Interval of VD / Start line in VD |
| 10h | HNUM | IPIPE I/F Number of valid pixels per line |
| 14h | VNUM | IPIPE I/F Number of valid lines per frame |
| 18h | ADDRU | IPIPE I/F Memory Address (Upper) |
| 1Ch | ADDRL | IPIPE I/F Memory Address (Lower) |
| 20h | ADOFS | IPIPE I/F Address offset of each line |
| 24h | RSZ | IPIPE I/F Horizontal Resizing Parameter |
| 28h | GAIN | IPIPE I/F Gain Parameter |
| 2Ch | DPCM | IPIPE I/F DPCM Configuration |
| 30h | CFG2 | IPIPE I/F Configuration 2 |
| 34h | INIRSZ | IPIPE I/F Initial position of resize |
| 38h | OCLIP | IPIPE I/F Output clipping value |
| 3Ch | DTUDF | IPIPE I/F Data underflow error status |

Table 6-41. Image Pipe Input Interface (IPIPEIF) Registers (continued)

| Address | Acronym | Register Description |
|---------|---------|------------------------------------|
| 40h | CLKDIV | IPIPE I/F Clock rate configuration |
| 44h | DPC1 | IPIPE I/F Defect pixel correction |
| 48h | DPC2 | IPIPE I/F Defect pixel correction |

6.12.1.3 Image Pipe – Hardware Image Signal Processor (IPIPE)

The Image Pipe (IPIPE) is a programmable hardware image processing module that generates image data in YCbCr-4:2:2 or YCbCr-4:2:0 formats from raw CCD/CMOS data. An image resizer is also fully integrated within this module. The IPIPE can also be configured to operate in a resize-only mode, which allows YCbCr-4:2:2 or YCbCr-4:2:0 to be resized without processing every module in the IPIPE.

The following features are supported by the IPIPE:

- 12-bit RAW data image processing or 16-bit YCbCr resizing
- RGB Bayer pattern for input color filter array; does not support complementary color pattern, stripe pattern, or Foveon™ sensors.
- Requires at least eight pixels for horizontal blanking and four lines for vertical blanking. In one shot mode, 16 blanking lines after processing area are required.
- Maximum horizontal and vertical offset of IPIPE processing area from synchronous signal is 65534
- Maximum input and output widths up to 2176 pixels wide (1088 for RSZ[2]).
- Raw pass-through mode for images wider than 2176 pixels (up to 8190 pixels)
- Automatic mirroring of pixels/lines when edge processing is performed so that the width and height is consistent throughout.
- Defect pixel correction using
 - Lookup table method that contains row and column position of the pixel to be corrected
 - On-the-fly adaptive method
- Offset and gain control for white balancing at each color component (WB).
- CFA interpolation for good quality CFA interpolation
- Programmable RGB to RGB blending matrix (9 coefficients for the 3x3 matrix). (RGB2RGB module)
- Separate lookup tables for gamma correction on each of R, G and B components for display through piece-wise linear interpolation approach
- 4:4:4 data to 4:2:2 data conversion by chroma low-pass filtering and down sampling to Cb and Cr. (4:4:4 to 4:2:2 module)
- Programmable look-up table for luminance edge enhancement. Adjustable brightness and contrast for Y component (Edge Enhancer module)
- Programmable down or up-sampling filter for both horizontal and vertical directions with range from 1/16x to 16x, in which the filter outputs two images with different magnification simultaneously (Resizer module)
- 4:2:2 to 4:2:0 conversion that can be done in the resizing block
- Different data formats [YCbCr (4:2:2 or 4:2:0), RGB (32bit/16bit), Raw data] are available while storing data in the SDRAM from IPIPE
- Flipping image horizontally and/or vertically
- Programmable histogram engine (4 windows, 256 bins)
- Boxcar calculation (1/8 or 1/16 size).

The IPIPE register memory mapping (offsets) is shown in [Table 6-42](#).

Table 6-42. IPIPE Registers

| Offset | Acronym | Register Description |
|-----------|-------------|--|
| 0h | SRC_EN | IPIPE Enable |
| 04h | SRC_MODE | One Shot Mode |
| 08h | SRC_FMT | Input/Output Data Paths |
| Ch | SRC_COL | Color Pattern |
| 10h | SRC_VPS | Vertical Start Position |
| 14h | SRC_VSZ | Vertical Processing Size |
| 18h | SRC_HPS | Horizontal Start Position |
| 1Ch | SRC_HSZ | Horizontal Processing Size |
| 24h | DMA_STA | Status Flags (Reserved) |
| 48h | GCK_MMR | MMR Gated Clock Control |
| 2Ch | GCK_PIX | PCLK Gated Clock Control |
| 30h | Reserved | Reserved |
| 34h | DPC_LUT_EN | LUTDPC (=LUT Defect Pixel Correction): Enable |
| 38h | DPC_LUT_SEL | LUTDPC: Processing Mode Selection |
| 3Ch | DPC_LUT_ADR | LUTDPC: Start Address in LUT |
| 40h | DPC_LUT_SIZ | LUTDPC: Number of available entries in LUT |
| 1D0h | WB2_OFT_R | WB2 (=White Balance): Offset |
| 1D4h | WB2_OFT_GR | WB2: Offset |
| 1D8h | WB2_OFT_GB | WB2: Offset |
| 1DCh | WB2_OFT_B | WB2: Offset |
| 1E0h | WB2_WGN_R | WB2: Gain |
| 1E4h | WB2_WGN_GR | WB2: Gain |
| 1E8h | WB2_WGN_GB | WB2: Gain |
| 1ECh | WB2_WGN_B | WB2: Gain |
| 1F0h-228h | Reserved | Reserved |
| 22Ch | RGB1_MUL_RR | RGB1 (=1st RGB2RGB conv): Matrix Coefficient |
| 230h | RGB1_MUL_GR | RGB1: Matrix Coefficient |
| 234h | RGB1_MUL_BR | RGB1: Matrix Coefficient |
| 238h | RGB1_MUL_RG | RGB1: Matrix Coefficient |
| 23Ch | RGB1_MUL_GG | RGB1: Matrix Coefficient |
| 240h | RGB1_MUL_BG | RGB1: Matrix Coefficient |
| 244h | RGB1_MUL_RB | RGB1: Matrix Coefficient |
| 248h | RGB1_MUL_GB | RGB1: Matrix Coefficient |
| 24Ch | RGB1_MUL_BB | RGB1: Matrix Coefficient |
| 250h | RGB1_OFT_OR | RGB1: Offset |
| 254h | RGB1_OFT_OG | RGB1: Offset |
| 258h | RGB1_OFT_OB | RGB1: Offset |
| 25Ch | GMM_CFG | Gamma Correction Configuration |
| 294h | YUV_ADJ | YUV (RGB2YCbCr conv): Luminance Adjustment (contrast & brightness) |
| 298h | YUV_MUL_RY | YUV: Matrix Coefficient |
| 29Ch | YUV_MUL_GY | YUV: Matrix Coefficient |
| 2A0h | YUV_MUL_BY | YUV: Matrix Coefficient |
| 2A4h | YUV_MUL_RCB | YUV: Matrix Coefficient |
| 2A8h | YUV_MUL_GCB | YUV: Matrix Coefficient |
| 2ACh | YUV_MUL_BCB | YUV: Matrix Coefficient |
| 2B0h | YUV_MUL_RCR | YUV: Matrix Coefficient |
| 2B4h | YUV_MUL_GCR | YUV: Matrix Coefficient |

Table 6-42. IPIPE Registers (continued)

| Offset | Acronym | Register Description |
|--------|---------------|--|
| 2B8h | YUV_MUL_BCR | YUV: Matrix Coefficient |
| 2BCh | YUV_OFT_Y | YUV: Offset |
| 2C0h | YUV_OFT_CB | YUV: Offset |
| 2C4h | YUV_OFT_CR | YUV: Offset |
| 2C8h | YUV_PHS | Chrominance Position (for 422 down sampler) |
| 2D4h | YEE_EN | YEE (=Edge Enhancer): Enable |
| 2D8h | YEE_TYP | YEE: Method Selection |
| 2DCh | YEE_SHF | YEE: HPF Shift Length |
| 2E0h | YEE_MUL_00 | YEE: HPF Coefficient |
| 2E4h | YEE_MUL_01 | YEE: HPF Coefficient |
| 2E8h | YEE_MUL_02 | YEE: HPF Coefficient |
| 2ECh | YEE_MUL_10 | YEE: HPF Coefficient |
| 2F0h | YEE_MUL_11 | YEE: HPF Coefficient |
| 2F4h | YEE_MUL_12 | YEE: HPF Coefficient |
| 2F8h | YEE_MUL_20 | YEE: HPF Coefficient |
| 2FCh | YEE_MUL_21 | YEE: HPF Coefficient |
| 300h | YEE_MUL_22 | YEE: HPF Coefficient |
| 304h | YEE_THR | YEE: Lower Threshold before referring to LUT |
| 308h | YEE_E_GAN | YEE: Edge Sharpener Gain |
| 30Ch | YEE_E_THR_1 | YEE: Edge Sharpener HP Value Lower Threshold |
| 310h | YEE_E_THR_2 | YEE: Edge Sharpener HP Value Upper Limit |
| 314h | YEE_G_GAN | YEE: Edge Sharpener Gain on Gradient |
| 318h | YEE_G_OFT | YEE: Edge Sharpener Offset on Gradient |
| 380h | BOX_EN | BOX (=Boxcar) Enable |
| 384h | BOX_MODE | BOX: One Shot Mode |
| 388h | BOX_TYP | BOX: Block Size (16x16 or 8x8) |
| 38Ch | BOX_SHF | BOX: Down shift value of input |
| 390h | BOX_SDR_SAD_H | BOX: SDRAM Address MSB |
| 394h | BOX_SDR_SAD_L | BOX: SDRAM Address LSB |
| 398h | Reserved | Reserved |
| 39Ch | HST_EN | HST (=Histogram): Enable |
| 3A0h | HST_MODE | HST: One Shot Mode |
| 3A4h | HST_SEL | HST: Source Select |
| 3A8h | HST_PARA | HST: Parameters Select |
| 3ACh | HST_0_VPS | HST: Vertical Start Position |
| 3B0h | HST_0_VSZ | HST: Vertical Size |
| 3B4h | HST_0_HPS | HST: Horizontal Start Position |
| 3B8h | HST_0_HSZ | HST: Horizontal Size |
| 3BCh | HST_1_VPS | HST: Vertical Start Position |
| 3C0h | HST_1_VSZ | HST: Vertical Size |
| 3C4h | HST_1_HPS | HST: Horizontal Start Position |
| 3C8h | HST_1_HSZ | HST: Horizontal Size |
| 3CCh | HST_2_VPS | HST: Vertical Start Position |
| 3D0h | HST_2_VSZ | HST: Vertical Size |
| 3D4h | HST_2_HPS | HST: Horizontal Start Position |
| 3D8h | HST_2_HSZ | HST: Horizontal Size |
| 3DCh | HST_3_VPS | HST: Vertical Start Position |

Table 6-42. IPIPE Registers (continued)

| Offset | Acronym | Register Description |
|--------|------------|--------------------------------|
| 3E0h | HST_3_VSZ | HST: Vertical Size |
| 3E4h | HST_3_HPS | HST: Horizontal Start Position |
| 3E8h | HST_3_HSZ | HST: Horizontal Size |
| 3ECh | HST_TBL | HST: Table Select |
| 3F0h | HST_MUL_R | HST: Matrix Coefficient |
| 3F4h | HST_MUL_GR | HST: Matrix Coefficient |
| 3F8h | HST_MUL_GB | HST: Matrix Coefficient |
| 3FCh | HST_MUL_B | HST: Matrix Coefficient |

6.12.1.4 Face Detection Module

The following features are supported on the Face Detection module:

- High detection rate of close to 100% under most conditions
- Allows detection in different directions - up, left, and right
- Allows detection with rotation in plane (RIP) - $\pm 45^\circ$, @ $0^\circ/+90^\circ/-90^\circ$
- Allows detection for rotation out of plane (ROP)
 - Horizontal (left/right) pan: $\pm 60^\circ$
 - Vertical (up/down) tilt: $\pm 30^\circ$
- Configurable minimum face size of 20 - 40 pixels
- Configurable region of interest in the input frame
- Configurable start position in the input frame
- Supports up to 35 face detections in a single frame
- Interrupt generation to ARM using the Video Processing Subsystem (VPSS) multiplexed interrupt mechanism
- Robust performance in low light conditions, night vision, monochromatic, and false color sensing as skin tone not used for face detection
- Supported input size is (256X192)
- Input format is 8-bit gray scale data

The Face Detection Module register memory mapping (offsets) is shown in [Table 6-43](#).

Table 6-43. Face Detection Module Registers

| Offset | Acronym | Register Description |
|--------|--------------|--------------------------------|
| 0x000 | FDIF_PID | FDIF PID |
| 0x008 | FDIF_INTEN | FDIF Interrupt enable |
| 0x00C | FDIF_PICADDR | FDIF Picture Data address |
| 0x010 | FDIF_WKADDR | FDIF Work Area address |
| 0x020 | FD_CTRL | FD Core Control Register |
| 0x024 | FD_DNUM | Detect number |
| 0x028 | FD_DCOND | Detect Condition set register |
| 0x02C | FD_STARTX | X Start address |
| 0x030 | FD_STARTY | Y Start address |
| 0x034 | FD_SIZEX | X Size for detection |
| 0x038 | FD_SIZEY | Y Size for detection |
| 0x03C | FD_LHIT | Detect process threshold |
| 0x100 | FD_CENTERX1 | Detect Result Center X Address |
| 0x104 | FD_CENTERY1 | Detect Result Center Y Address |
| 0x108 | FD_CONFSIZE1 | Detect Result Confidence/Size |

Table 6-43. Face Detection Module Registers (continued)

| Offset | Acronym | Register Description |
|--------|---------------|--------------------------------|
| 0x10C | FD_ANGLE1 | Detect Angle |
| 0x110 | FD_CENTERX2 | Detect Result Center X Address |
| 0x114 | FD_CENTERY2 | Detect Result Center Y Address |
| 0x118 | FD_CONFSIZE2 | Detect Result Confidence/Size |
| 0x11C | FD_ANGLE2 | Detect Angle |
| 0x120 | FD_CENTERX3 | Detect Result Center X Address |
| 0x124 | FD_CENTERY3 | Detect Result Center Y Address |
| 0x128 | FD_CONFSIZE3 | Detect Result Confidence/Size |
| 0x12C | FD_ANGLE3 | Detect Angle |
| 0x130 | FD_CENTERX4 | Detect Result Center X Address |
| 0x134 | FD_CENTERY4 | Detect Result Center Y Address |
| 0x138 | FD_CONFSIZE4 | Detect Result Confidence/Size |
| 0x13C | FD_ANGLE4 | Detect Angle |
| 0x140 | FD_CENTERX5 | Detect Result Center X Address |
| 0x144 | FD_CENTERY5 | Detect Result Center Y Address |
| 0x148 | FD_CONFSIZE5 | Detect Result Confidence/Size |
| 0x14C | FD_ANGLE5 | Detect Angle |
| 0x150 | FD_CENTERX6 | Detect Result Center X Address |
| 0x154 | FD_CENTERY6 | Detect Result Center Y Address |
| 0x158 | FD_CONFSIZE6 | Detect Result Confidence/Size |
| 0x15C | FD_ANGLE6 | Detect Angle |
| 0x160 | FD_CENTERX7 | Detect Result Center X Address |
| 0x164 | FD_CENTERY7 | Detect Result Center Y Address |
| 0x168 | FD_CONFSIZE7 | Detect Result Confidence/Size |
| 0x16C | FD_ANGLE7 | Detect Angle |
| 0x170 | FD_CENTERX8 | Detect Result Center X Address |
| 0x174 | FD_CENTERY8 | Detect Result Center Y Address |
| 0x178 | FD_CONFSIZE8 | Detect Result Confidence/Size |
| 0x17C | FD_ANGLE8 | Detect Angle |
| 0x180 | FD_CENTERX9 | Detect Result Center X Address |
| 0x184 | FD_CENTERY9 | Detect Result Center Y Address |
| 0x188 | FD_CONFSIZE9 | Detect Result Confidence/Size |
| 0x18C | FD_ANGLE9 | Detect Angle |
| 0x190 | FD_CENTERX10 | Detect Result Center X Address |
| 0x194 | FD_CENTERY10 | Detect Result Center Y Address |
| 0x198 | FD_CONFSIZE10 | Detect Result Confidence/Size |
| 0x19C | FD_ANGLE10 | Detect Angle |
| 0x1A0 | FD_CENTERX11 | Detect Result Center X Address |
| 0x1A4 | FD_CENTERY11 | Detect Result Center Y Address |
| 0x1A8 | FD_CONFSIZE11 | Detect Result Confidence/Size |
| 0x1AC | FD_ANGLE11 | Detect Angle |
| 0x1B0 | FD_CENTERX12 | Detect Result Center X Address |
| 0x1B4 | FD_CENTERY12 | Detect Result Center Y Address |
| 0x1B8 | FD_CONFSIZE12 | Detect Result Confidence/Size |
| 0x1BC | FD_ANGLE12 | Detect Angle |
| 0x1C0 | FD_CENTERX13 | Detect Result Center X Address |
| 0x1C4 | FD_CENTERY13 | Detect Result Center Y Address |

Table 6-43. Face Detection Module Registers (continued)

| Offset | Acronym | Register Description |
|--------|----------------|--------------------------------|
| 0x1C8 | FD_CONF SIZE13 | Detect Result Confidence/Size |
| 0x1CC | FD_ANGLE13 | Detect Angle |
| 0x1D0 | FD_CENTERX14 | Detect Result Center X Address |
| 0x1D4 | FD_CENTERY14 | Detect Result Center Y Address |
| 0x1D8 | FD_CONF SIZE14 | Detect Result Confidence/Size |
| 0x1DC | FD_ANGLE14 | Detect Angle |
| 0x1E0 | FD_CENTERX15 | Detect Result Center X Address |
| 0x1E4 | FD_CENTERY15 | Detect Result Center Y Address |
| 0x1E8 | FD_CONF SIZE15 | Detect Result Confidence/Size |
| 0x1EC | FD_ANGLE15 | Detect Angle |
| 0x1F0 | FD_CENTERX16 | Detect Result Center X Address |
| 0x1F4 | FD_CENTERY16 | Detect Result Center Y Address |
| 0x1F8 | FD_CONF SIZE16 | Detect Result Confidence/Size |
| 0x1FC | FD_ANGLE16 | Detect Angle |
| 0x200 | FD_CENTERX17 | Detect Result Center X Address |
| 0x204 | FD_CENTERY17 | Detect Result Center Y Address |
| 0x208 | FD_CONF SIZE17 | Detect Result Confidence/Size |
| 0x20C | FD_ANGLE17 | Detect Angle |
| 0x210 | FD_CENTERX18 | Detect Result Center X Address |
| 0x214 | FD_CENTERY18 | Detect Result Center Y Address |
| 0x218 | FD_CONF SIZE18 | Detect Result Confidence/Size |
| 0x21C | FD_ANGLE18 | Detect Angle |
| 0x220 | FD_CENTERX19 | Detect Result Center X Address |
| 0x224 | FD_CENTERY19 | Detect Result Center Y Address |
| 0x228 | FD_CONF SIZE19 | Detect Result Confidence/Size |
| 0x22C | FD_ANGLE19 | Detect Angle |
| 0x230 | FD_CENTERX20 | Detect Result Center X Address |
| 0x234 | FD_CENTERY20 | Detect Result Center Y Address |
| 0x238 | FD_CONF SIZE20 | Detect Result Confidence/Size |
| 0x23C | FD_ANGLE20 | Detect Angle |
| 0x240 | FD_CENTERX21 | Detect Result Center X Address |
| 0x244 | FD_CENTERY21 | Detect Result Center Y Address |
| 0x248 | FD_CONF SIZE21 | Detect Result Confidence/Size |
| 0x24C | FD_ANGLE21 | Detect Angle |
| 0x250 | FD_CENTERX22 | Detect Result Center X Address |
| 0x254 | FD_CENTERY22 | Detect Result Center Y Address |
| 0x258 | FD_CONF SIZE22 | Detect Result Confidence/Size |
| 0x25C | FD_ANGLE22 | Detect Angle |
| 0x260 | FD_CENTERX23 | Detect Result Center X Address |
| 0x264 | FD_CENTERY23 | Detect Result Center Y Address |
| 0x268 | FD_CONF SIZE23 | Detect Result Confidence/Size |
| 0x26C | FD_ANGLE23 | Detect Angle |
| 0x270 | FD_CENTERX24 | Detect Result Center X Address |
| 0x274 | FD_CENTERY24 | Detect Result Center Y Address |
| 0x278 | FD_CONF SIZE24 | Detect Result Confidence/Size |
| 0x27C | FD_ANGLE24 | Detect Angle |
| 0x280 | FD_CENTERX25 | Detect Result Center X Address |

Table 6-43. Face Detection Module Registers (continued)

| Offset | Acronym | Register Description |
|--------|---------------|--------------------------------|
| 0x284 | FD_CENTERY25 | Detect Result Center Y Address |
| 0x288 | FD_CONFSIZE25 | Detect Result Confidence/Size |
| 0x28C | FD_ANGLE25 | Detect Angle |
| 0x290 | FD_CENTERX26 | Detect Result Center X Address |
| 0x294 | FD_CENTERY26 | Detect Result Center Y Address |
| 0x298 | FD_CONFSIZE26 | Detect Result Confidence/Size |
| 0x29C | FD_ANGLE26 | Detect Angle |
| 0x2A0 | FD_CENTERX27 | Detect Result Center X Address |
| 0x2A4 | FD_CENTERY27 | Detect Result Center Y Address |
| 0x2A8 | FD_CONFSIZE27 | Detect Result Confidence/Size |
| 0x2AC | FD_ANGLE27 | Detect Angle |
| 0x2B0 | FD_CENTERX28 | Detect Result Center X Address |
| 0x2B4 | FD_CENTERY28 | Detect Result Center Y Address |
| 0x2B8 | FD_CONFSIZE28 | Detect Result Confidence/Size |
| 0x2BC | FD_ANGLE28 | Detect Angle |
| 0x2C0 | FD_CENTERX29 | Detect Result Center X Address |
| 0x2C4 | FD_CENTERY29 | Detect Result Center Y Address |
| 0x2C8 | FD_CONFSIZE29 | Detect Result Confidence/Size |
| 0x2CC | FD_ANGLE29 | Detect Angle |
| 0x2D0 | FD_CENTERX30 | Detect Result Center X Address |
| 0x2D4 | FD_CENTERY30 | Detect Result Center Y Address |
| 0x2D8 | FD_CONFSIZE30 | Detect Result Confidence/Size |
| 0x2DC | FD_ANGLE30 | Detect Angle |
| 0x2E0 | FD_CENTERX31 | Detect Result Center X Address |
| 0x2E4 | FD_CENTERY31 | Detect Result Center Y Address |
| 0x2E8 | FD_CONFSIZE31 | Detect Result Confidence/Size |
| 0x2EC | FD_ANGLE31 | Detect Angle |
| 0x2F0 | FD_CENTERX32 | Detect Result Center X Address |
| 0x2F4 | FD_CENTERY32 | Detect Result Center Y Address |
| 0x2F8 | FD_CONFSIZE32 | Detect Result Confidence/Size |
| 0x2FC | FD_ANGLE32 | Detect Angle |
| 0x300 | FD_CENTERX33 | Detect Result Center X Address |
| 0x304 | FD_CENTERY33 | Detect Result Center Y Address |
| 0x308 | FD_CONFSIZE33 | Detect Result Confidence/Size |
| 0x30C | FD_ANGLE33 | Detect Angle |
| 0x310 | FD_CENTERX34 | Detect Result Center X Address |
| 0x314 | FD_CENTERY34 | Detect Result Center Y Address |
| 0x318 | FD_CONFSIZE34 | Detect Result Confidence/Size |
| 0x31C | FD_ANGLE34 | Detect Angle |
| 0x320 | FD_CENTERX35 | Detect Result Center X Address |
| 0x324 | FD_CENTERY35 | Detect Result Center Y Address |
| 0x328 | FD_CONFSIZE35 | Detect Result Confidence/Size |
| 0x32C | FD_ANGLE35 | Detect Angle |

6.12.1.5 VPFE Electrical Data/Timing

Table 6-44. Timing Requirements for VPFE PCLK Master/Slave Mode⁽¹⁾ (see Figure 6-31)

| NO. | | | MIN | | MAX | | UNIT |
|-----|----------------|---------------------------|----------------------|----------------------|-----|--|------|
| | | | | | | | |
| 1 | $t_{c(PCLK)}$ | Cycle time, PCLK | Slave Mode | 8.33 | 120 | | ns |
| | | | Master Mode | 13.33 | 120 | | ns |
| 2 | $t_{w(PCLKH)}$ | Pulse duration, PCLK high | $t_{c(PCLK)} * 0.35$ | $t_{c(PCLK)} * 0.65$ | | | ns |
| 3 | $t_{w(PCLKL)}$ | Pulse duration, PCLK low | $t_{c(PCLK)} * 0.35$ | $t_{c(PCLK)} * 0.65$ | | | ns |
| 4 | $t_{t(PCLK)}$ | Transition time, PCLK | | | 2 | | ns |

(1) $P = 1/SYSCLK4$ in nanoseconds (ns). For example, if the SYSCLK4 frequency is 135 MHz, use $P = 7.41$ ns. See Section 3.3, *Device Clocking*, for more information on the supported clock configurations of the device.

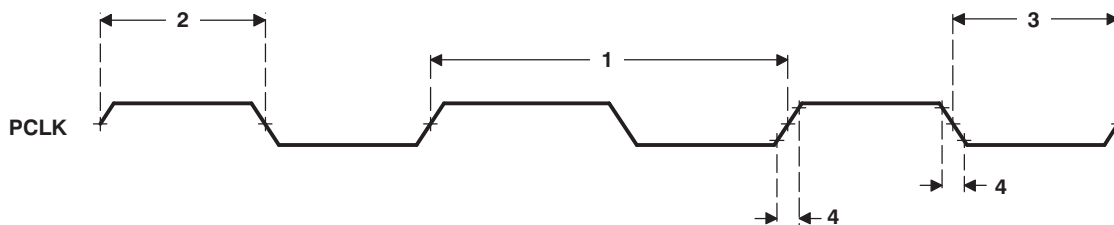


Figure 6-31. VPFE PCLK Timing

Table 6-45. Timing Requirements for VPFE (ISIF) Slave Mode (see Figure 6-32)

| NO. | | | DEVICE | | UNIT |
|-----|--------------------------|--|---------------|-----|------|
| | | | MIN | MAX | |
| 5 | $t_{su(DATAV-PCLK)}$ | Setup time, ISIF DATA valid before PCLK edge | Positive Edge | 2.5 | ns |
| | | | Negative Edge | 1.5 | |
| 6 | $t_{h(PCLK-DATAV)}$ | Hold time, ISIF DATA valid after PCLK edge | Positive Edge | 1.5 | ns |
| | | | Negative Edge | 2.5 | |
| 7 | $t_{su(HDV-PCLK)}$ | Setup time, HD valid before PCLK edge | Positive Edge | 2.5 | ns |
| | | | Negative Edge | 1.5 | |
| 8 | $t_{h(PCLK-HDV)}$ | Hold time, HD valid after PCLK edge | Positive Edge | 1.5 | ns |
| | | | Negative Edge | 2.5 | |
| 9 | $t_{su(VDV-PCLK)}$ | Setup time, VD valid before PCLK edge | Positive Edge | 2.5 | ns |
| | | | Negative Edge | 1.5 | |
| 10 | $t_{h(PCLK-VDV)}$ | Hold time, VD valid after PCLK edge | Positive Edge | 1.5 | ns |
| | | | Negative Edge | 2.5 | |
| 11 | $t_{su(C_WEV-PCLK)}$ | Setup time, C_WE valid before PCLK edge | Positive Edge | 2.5 | ns |
| | | | Negative Edge | 1.5 | |
| 12 | $t_{h(PCLK-C_WEV)}$ | Hold time, C_WE valid after PCLK edge | Positive Edge | 1.5 | ns |
| | | | Negative Edge | 2.5 | |
| 13 | $t_{su(C_FIELDV-PCLK)}$ | Setup time, C_FIELD valid before PCLK edge | Positive Edge | 2.5 | ns |
| | | | Negative Edge | 1.5 | |
| 14 | $t_{h(PCLK-C_FIELDV)}$ | Hold time, C_FIELD valid after PCLK edge | Positive Edge | 1.5 | ns |
| | | | Negative Edge | 2.5 | |

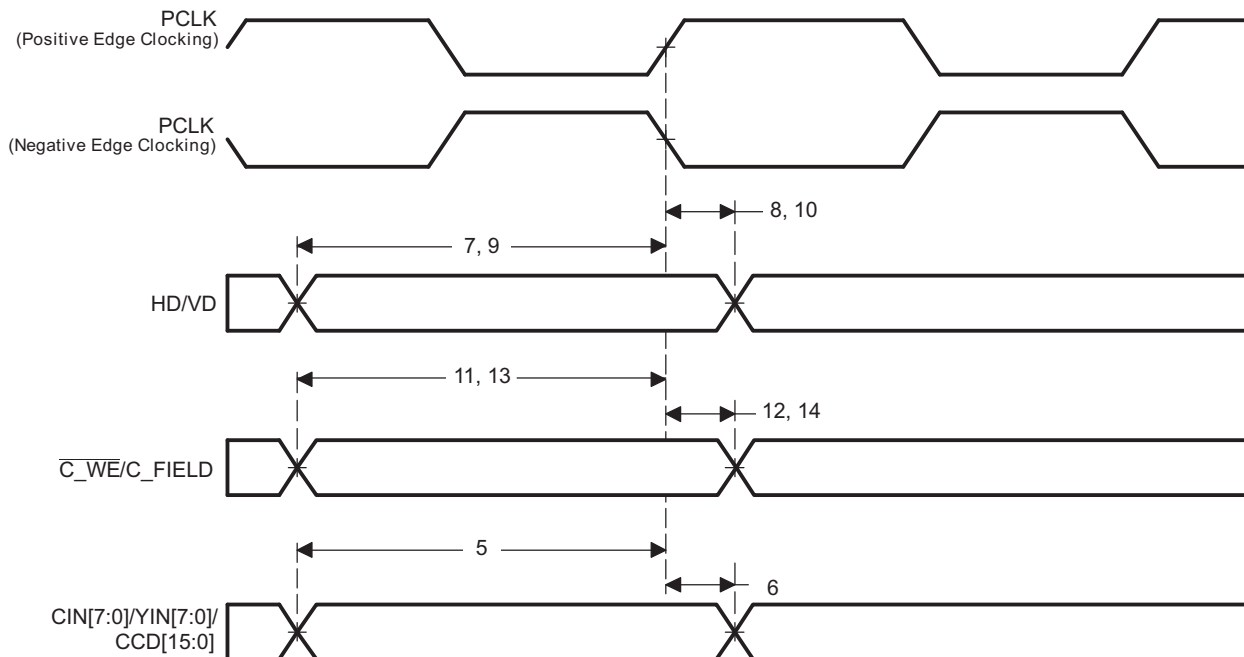


Figure 6-32. VPFE (ISIF) Slave Mode Input Data Timing

Table 6-46. Timing Requirements for VPFE (ISIF) Master Mode⁽¹⁾ (see Figure 6-33)

| NO. | | | DEVICE | | UNIT |
|-----|----------------------|--|---------------|-----|------|
| | | | MIN | MAX | |
| 15 | $t_{su}(DATAV-PCLK)$ | Setup time, ISIF DATA valid before PCLK edge | Positive Edge | 2.5 | ns |
| | | | Negative Edge | 1.5 | |
| 16 | $t_h(PCLK-DATAV)$ | Hold time, ISIF DATA valid after PCLK edge | Positive Edge | 1.5 | ns |
| | | | Negative Edge | 2.5 | |
| 23 | $t_{su}(CWEV-PCLK)$ | Setup time, C_WE valid before PCLK edge | Positive Edge | 2.5 | ns |
| | | | Negative Edge | 1.5 | |
| 24 | $t_h(PCLK-CWEV)$ | Hold time, C_WE valid after PCLK edge | Positive Edge | 1.5 | ns |
| | | | Negative Edge | 2.5 | |

(1) The VPFE may be configured to operate in either positive or negative edge clocking mode. When in positive edge clocking mode the rising edge of PCLK is referenced. When in negative edge clocking mode the falling edge of PCLK is referenced.

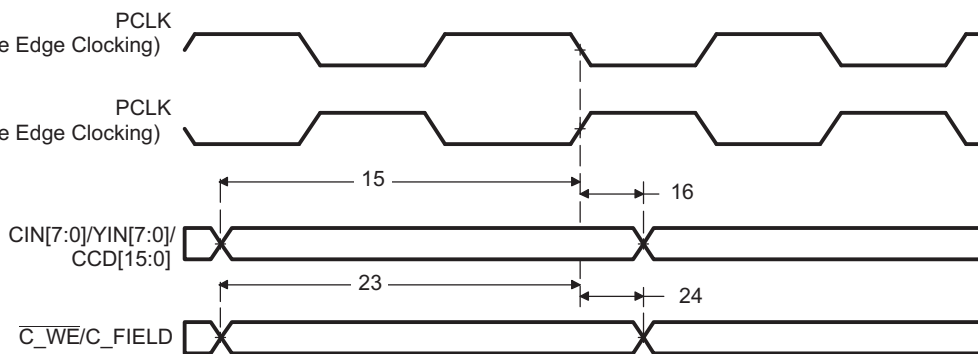
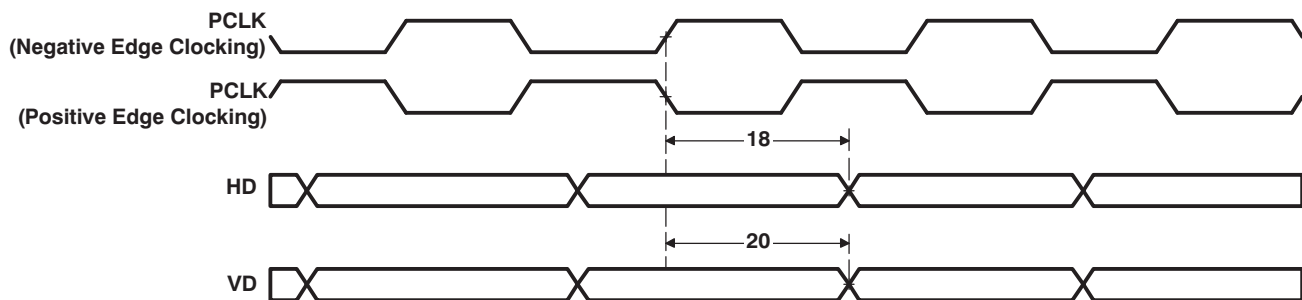


Figure 6-33. VPFE (ISIF) Master Mode Input Data Timing

Table 6-47. Switching Characteristics Over Recommended Operating Conditions for VPFE (ISIF) Master Mode (see Figure 6-34)

| NO. | PARAMETER | DEVICE | | UNIT |
|-----|---|--------|-----|------|
| | | MIN | MAX | |
| 18 | $t_{d(PCLKL-HDIV)}$ Delay time, PCLK edge to HD valid | 1.5 | 11 | ns |
| 20 | $t_{d(PCLKL-VDIV)}$ Delay time, PCLK edge to VD valid | 1.5 | 11 | ns |

**Figure 6-34. VPFE (ISIF) Master Mode Control Output Data Timing**

6.12.2 Video Processing Back-End (VPBE)

The Video Processing Back-End of VPBE module is comprised of the On Screen Display (OSD) module and the Video Encoder / Digital LCD Controller (VENC/DLCD).

Table 6-48 lists the Video Processing Back-End (VPBE) module registers, their corresponding acronyms, and the device memory locations (offsets).

Table 6-48. VPBE Module Register Map

| Address | Peripheral | Description |
|-------------|---------------|------------------------|
| 0x01C7:0200 | VPBE_CLK_CTRL | VPBE Clock Control |
| 0x01C7:1C00 | OSD | VPBE On-Screen Display |
| 0x01C7:1E00 | VENC | VPBE Video Encoder |

6.12.2.1 On-Screen Display (OSD)

The primary function of the OSD module is to gather and blend video data and display/bitmap data and then pass it to the Video Encoder (VENC) in YCbCr format. The video and display data is read from external DDR2/mDDR memory. The OSD is programmed via control and parameter registers. The following are the primary features that are supported by the OSD.

- Support for two video windows and two OSD bitmapped windows that can be displayed simultaneously (VIDWIN0/VIDWIN1 and OSDWIN0/OSDWIN1).
- Video windows support YCbCr data in 422 and 420 formats from external memory, with the ability to interchange the order of the CbCr component in the 32-bit word
- OSD bitmap windows support = 4/8 bit width index data of color palette
- In addition one OSD bitmap window at a time can be configured to one of the following:
 - YUV422 (same as video data)
 - RGB format data in 16-bit mode (R=5bit, G=6bit, B=5bit)
 - 24-bit mode (each R/G/B=8bit) with pixel level blending with video windows
- Programmable color palette with the ability to select between a RAM/ROM table with support for 256 colors.
- Support for 2 ROM tables, one of which can be selected at a given time
- Separate enable/disable control for each window
- Programmable width, height, and base starting coordinates for each window

- External memory address and offset registers for each window
- Support for x2 and x4 zoom in both the horizontal and vertical direction
- Pixel-level blending/transparency/blinking attributes can be defined for OSDWIN0 when OSDWIN1 is configured as an attribute window for OSDWIN0.
- Support for blinking intervals to the attribute window
- Ability to select either field/frame mode for the windows (interlaced/progressive)
- An eight step blending process between the bitmap and video windows
- Transparency support for the bitmap and video data (when a bitmap pixel is zero, there will be no blending for that corresponding video pixel)
- Ability to resize from VGA to NTSC/PAL (640x480 to 720x576) for both the OSD and video windows
- Horizontal rescaling x1.5 is supported
- Support for a rectangular cursor window and a programmable background color selection.
- The width, height, and color of the cursor is selectable
- The display priority is: Rectangular-Cursor > OSDWIN1 > OSDWIN0 > VIDWIN1 > VIDWIN0 > background color
- Support for attenuation of the YCbCr values for the REC601 standard.

The following restrictions exist in the OSD module.

- If the vertical resize filter is enabled for either of the video windows, the maximum horizontal window dimension cannot be greater than 1024 currently. This is due to the limitation in the size of the line memory.
- It is not possible to use both of the CLUT ROMs at the same time. However, a window can use RAM while another uses ROM.

Table 6-49 lists the On-Screen Display (OSD) registers, their corresponding acronyms, and the device memory locations (offsets).

Table 6-49. On-Screen Display (OSD) Registers

| Offset | Acronym | Register Description |
|--------|-------------|---|
| 0h | MODE | OSD Mode Setup |
| 4h | VIDWINMD | Video Window Mode Setup |
| 8h | OSDWIN0MD | Bitmap Window 0 Mode Setup |
| Ch | OSDWIN1MD | OSD Window 1 Mode Setup (when used as a second OSD window) |
| Ch | OSDATRMD | OSD Attribute Window Mode Setup (when used as an attribute window) |
| 10h | RECTCUR | Rectangular Cursor Setup |
| 14h | RSV0 | Reserved |
| 18h | VIDWIN0OFST | Video Window 0 Offset |
| 1Ch | VIDWIN1OFST | Video Window 1 Offset |
| 20h | OSDWIN0OFST | Bitmap Window 0 Offset |
| 24h | OSDWIN1OFST | Bitmap Window 1/Attribute Window Offset |
| 28h | VIDWINADH | Video Window 0/1 Address - High |
| 2Ch | VIDWIN0ADL | Video Window 0 Address - Low |
| 30h | VIDWIN1ADL | Video Window 1 Address - Low |
| 34h | OSDWINADH | BMP Window 0/1 Address - High |
| 38h | OSDWIN0ADL | BMP Window 0 Address - Low |
| 3Ch | OSDWIN1ADL | Bitmap Window 1/Attribute Address - Low |
| 40h | BASEPX | Base Pixel X |
| 44h | BASEPY | Base Pixel Y |
| 48h | VIDWIN0XP | Video Window 0 X-Position |

Table 6-49. On-Screen Display (OSD) Registers (continued)

| Offset | Acronym | Register Description |
|--------|--------------|--|
| 4Ch | VIDWIN0YP | Video Window 0 Y-Position |
| 50h | VIDWIN0XL | Video Window 0 X-Size |
| 54h | VIDWIN0YL | Video Window 0 Y-Size |
| 58h | VIDWIN1XP | Video Window 1 X-Position |
| 5Ch | VIDWIN1YP | Video Window 1 Y-Position |
| 60h | VIDWIN1XL | Video Window 1 X-Size |
| 64h | VIDWIN1YL | Video Window 1 Y-Size |
| 68h | OSDWIN0XP | Bitmap Window 0 X-Position |
| 6Ch | OSDWIN0YP | Bitmap Window 0 Y-Position |
| 70h | OSDWIN0XL | Bitmap Window 0 X-Size |
| 74h | OSDWIN0YL | Bitmap Window 0 Y-Size |
| 78h | OSDWIN1XP | Bitmap Window 1 X-Position |
| 7Ch | OSDWIN1YP | Bitmap Window 1 Y-Position |
| 80h | OSDWIN1XL | Bitmap Window 1 X-Size |
| 84h | OSDWIN1YL | Bitmap Window 1 Y-Size |
| 88h | CURXP | Rectangular Cursor Window X-Position |
| 8Ch | CURYYP | Rectangular Cursor Window Y-Position |
| 90h | CURXL | Rectangular Cursor Window X-Size |
| 94h | CURYL | Rectangular Cursor Window Y-Size |
| 98h | RSV1 | Reserved |
| 9Ch | RSV2 | Reserved |
| A0h | W0BMP01 | Window 0 Bitmap Value to Palette Map 0/1 |
| A4h | W0BMP23 | Window 0 Bitmap Value to Palette Map 2/3 |
| A8h | W0BMP45 | Window 0 Bitmap Value to Palette Map 4/5 |
| ACh | W0BMP67 | Window 0 Bitmap Value to Palette Map 6/7 |
| B0h | W0BMP89 | Window 0 Bitmap Value to Palette Map 8/9 |
| B4h | W0BMPAB | Window 0 Bitmap Value to Palette Map A/B |
| B8h | W0BMPCD | Window 0 Bitmap Value to Palette Map C/D |
| BCh | W0BMPEF | Window 0 Bitmap Value to Palette Map E/F |
| C0h | W1BMP01 | Window 1 Bitmap Value to Palette Map 0/1 |
| C4h | W1BMP23 | Window 1 Bitmap Value to Palette Map 2/3 |
| C8h | W1BMP45 | Window 1 Bitmap Value to Palette Map 4/5 |
| CCh | W1BMP67 | Window 1 Bitmap Value to Palette Map 6/7 |
| D0h | W1BMP89 | Window 1 Bitmap Value to Palette Map 8/9 |
| D4h | W1BMPAB | Window 1 Bitmap Value to Palette Map A/B |
| D8h | W1BMPCD | Window 1 Bitmap Value to Palette Map C/D |
| DCh | W1BMPEF | Window 1 Bitmap Value to Palette Map E/F |
| E0h | VBNDRY | Test Mode |
| E4h | EXTMODE | Extended Mode |
| E8h | MISCCTL | Miscellaneous Control |
| ECh | CLUTRAMYCB | CLUT RAM Y/Cb Setup |
| F0h | CLUTRAMCR | CLUT RAM Cr/Mapping Setup |
| F4h | TRANSPVALL | Transparent Color Code - Lower |
| F8h | TRANSPVALU | Transparent Color Code - Upper |
| FCh | TRANSPBMPIDX | Transparent Index Code for Bitmaps |

6.12.2.2 Video Encoder / Digital LCD Controller (VENC/DLCD)

The VENC/DLCD consists of three major blocks:

- Video encoder to generate analog video output
- Digital LCD controller to generate digital RGB/YCbCr data output and timing signals
- Timing generator

The video encoder for analog video supports the following features:

- Master Clock Input - 27 MHz or 74.25 MHz
- SDTV Support
 - Composite NTSC-M, PAL-B/D/G/H/I
 - S-Video (Y/C)
 - Component YPbPr
 - RGB
 - CGMS/WSS
 - Closed Caption
- HDTV Support
 - 525p/625p/720p/1080i
 - Component YPbPr
 - RGB
 - CGMS/WSS
- Master/Slave Operation
- Three 10-bit D/A Converters

The digital LCD controller supports the following features:

- Programmable Timing Generator
- Various Output Formats
 - YCbCr 4:2:2 16-bit
 - YCbCr 4:2:2 8-bit
 - Parallel RGB 16/18/24-bit
 - Serial RGB 8-bit
- EAV/SAV insertion
- Master/Slave Operation

[Table 6-50](#) lists the Video Encoder / Digital LCD Controller (VENC/DLCD) registers, their corresponding acronyms, and the device memory locations (offsets).

Table 6-50. Video Encoder (VENC) Registers

| Offset | Acronym | Register Description |
|--------|---------|--------------------------------------|
| 0h | VMOD | Video Mode |
| 4h | VIOCTL | Video Interface I/O Control |
| 8h | VDPRO | Video Data Processing |
| Ch | SYNCCTL | Sync Control |
| 10h | HSPLS | Horizontal Sync Pulse Width |
| 14h | VSPLS | Vertical Sync Pulse Width |
| 18h | HINTVL | Horizontal Interval |
| 1Ch | HSTART | Horizontal Valid Data Start Position |
| 20h | HVALID | Horizontal Data Valid Range |
| 24h | VINTVL | Vertical Interval |
| 28h | VSTART | Vertical Valid Data Start Position |

Table 6-50. Video Encoder (VENC) Registers (continued)

| Offset | Acronym | Register Description |
|--------|-----------|---|
| 2Ch | VVALID | Vertical Data Valid Range |
| 30h | HSDLY | Horizontal Sync Delay |
| 34h | VSDLY | Vertical Sync Delay |
| 38h | YCCCTL | YCbCr Control |
| 3Ch | RGBCTL | RGB Control |
| 40h | RGBCLP | RGB Level Clipping |
| 44h | LINECTL | Line ID Control |
| 48h | CULLLINE | Culling Line Control |
| 4Ch | LCDOUT | LCD Output Signal Control |
| 50h | BRT0 | Brightness Start Position Signal Control |
| 54h | BRT1 | Brightness Width Signal Control |
| 58h | ACCTL | LCD_AC Signal Control |
| 5Ch | PWM0 | PWM Output Period |
| 60h | PWM1 | PWM Output Pulse Width |
| 64h | DCLKCTL | DCLK Control |
| 68h | DCLKPTN0 | DCLK Pattern 0 |
| 6Ch | DCLKPTN1 | DCLK Pattern 1 |
| 70h | DCLKPTN2 | DCLK Pattern 2 |
| 74h | DCLKPTN3 | DCLK Pattern 3 |
| 78h | DCLKPTN0A | DCLK Auxiliary Pattern 0 |
| 7Ch | DCLKPTN1A | DCLK Auxiliary Pattern 1 |
| 80h | DCLKPTN2A | DCLK Auxiliary Pattern 2 |
| 84h | DCLKPTN3A | DCLK Auxiliary Pattern 3 |
| 88h | DCLKHSTT | Horizontal DCLK Mask Start Position |
| 8Ch | DCLKHSTTA | Horizontal Auxiliary DCLK Mask Start Position |
| 90h | DCLKHVLD | Horizontal DCLK Mask Range |
| 94h | DCLKVSTT | Vertical DCLK Mask Start Position |
| 98h | DCLKVVLD | Vertical DCLK Mask Range |
| 9Ch | CAPCTL | Closed Caption Control |
| A0h | CAPDO | Closed Caption Odd Field Data |
| A4h | CAPDE | Closed Caption Even Field Data |
| A8h | ATR0 | Video Attribute Data 0 |
| ACh | ATR1 | Video Attribute Data 1 |
| B0h | ATR2 | Video Attribute Data 2 |
| B4h | RSV0 | Reserved 0 |
| B8h | VSTAT | Video Status |
| BCh | RAMADR | GCP/FRC Table RAM Address |
| C0h | RAMPORT | GCP/FRC Table RAM Data Port |
| C4h | DACTST | DAC Test |
| C8h | YCOLVL | YOUT and COUT Levels |
| CCh | SCPROG | Sub-Carrier Programming |
| D0h | RSV1 | Reserved 1 |
| D4h | RSV2 | Reserved 2 |
| D8h | RSV3 | Reserved 3 |
| DCh | CVBS | Composite Mode |
| E0h | CMPNT | Component Mode |
| E4h | ETMG0 | CVBS Timing Control 0 |

Table 6-50. Video Encoder (VENC) Registers (continued)

| Offset | Acronym | Register Description |
|--------|---------|---|
| E8h | ETMG1 | CVBS Timing Control 1 |
| ECh | ETMG2 | CVBS Timing Control 2 |
| F0h | ETMG3 | CVBS Timing Control 3 |
| F4h | DACSEL | DAC Output Select |
| 100h | ARGBX0 | Analog RGB Matrix 0 |
| 104h | ARGBX1 | Analog RGB Matrix 1 |
| 108h | ARGBX2 | Analog RGB Matrix 2 |
| 10Ch | ARGBX3 | Analog RGB Matrix 3 |
| 110h | ARGBX4 | Analog RGB Matrix 4 |
| 114h | DRGBX0 | Digital RGB Matrix 0 |
| 118h | DRGBX1 | Digital RGB Matrix 1 |
| 11Ch | DRGBX2 | Digital RGB Matrix 2 |
| 120h | DRGBX3 | Digital RGB Matrix 3 |
| 124h | DRGBX4 | Digital RGB Matrix 4 |
| 128h | VSTARTA | Vertical Data Valid Start Position For Even Field |
| 12Ch | OSDCLK0 | OSD Clock Control 0 |
| 130h | OSDCLK1 | OSD Clock Control 1 |
| 134h | HVLDCL0 | Horizontal Valid Culling Control 0 |
| 138h | HVLDCL1 | Horizontal Valid Culling Control 1 |
| 13Ch | OSDHADV | OSD Horizontal Sync Advance |
| 140h | CLKCTL | Clock Control |
| 144h | GAMCTL | Enable Gamma Correction |
| 148h | VVALIDA | Vertical Data Valid Area For Even Field |
| 14Ch | BATR0 | Video Attribute 0 For Type B Packet |
| 150h | BATR1 | Video Attribute 1 For Type B Packet |
| 154h | BATR2 | Video Attribute 2 For Type B Packet |
| 158h | BATR3 | Video Attribute 3 For Type B Packet |
| 15Ch | BATR4 | Video Attribute 4 For Type B Packet |
| 160h | BATR5 | Video Attribute 5 For Type B Packet |
| 164h | BATR6 | Video Attribute 6 For Type B Packet |
| 168h | BATR7 | Video Attribute 7 For Type B Packet |
| 16Ch | BATR8 | Video Attribute 8 For Type B Packet |
| 170h | DACAMP | Gain and Offset |

6.12.2.3 VPBE Electrical Data/Timing

Table 6-51. Timing Requirements for VPBE CLK Inputs (see Figure 6-35)

| NO. | | | DEVICE | | UNIT |
|-----|------------------|---------------------------------|--------|-----|------|
| | | | MIN | MAX | |
| 1 | $t_{C(PCLK)}$ | Cycle time, PCLK ⁽¹⁾ | 13.33 | 160 | ns |
| 2 | $t_{W(PCLKH)}$ | Pulse duration, PCLK high | 5.7 | | ns |
| 3 | $t_{W(PCLKL)}$ | Pulse duration, PCLK low | 5.7 | | ns |
| 4 | $t_{T(PCLK)}$ | Transition time, PCLK | | 3 | ns |
| 5 | $t_{C(EXTCLK)}$ | Cycle time, EXTCLK | 13.33 | 160 | ns |
| 6 | $t_{W(EXTCLKH)}$ | Pulse duration, EXTCLK high | 5.7 | | ns |
| 7 | $t_{W(EXTCLKL)}$ | Pulse duration, EXTCLK low | 5.7 | | ns |

(1) For timing specifications relating to PCLK see [Table 6-44, Timing Requirements for VPFE PCLK Master/Slave Mode.](#)

Table 6-51. Timing Requirements for VPBE CLK Inputs (see Figure 6-35) (continued)

| NO. | | DEVICE | | UNIT |
|-----|---|--------|-----|------|
| | | MIN | MAX | |
| 8 | $t_{f(EXTCLK)}$ Transition time, EXTCLK | | 3 | ns |

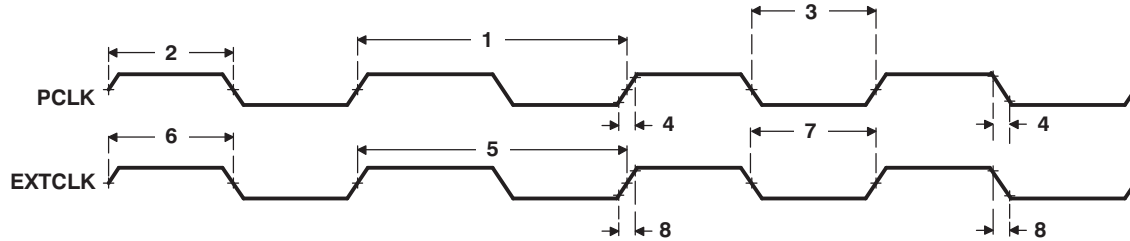
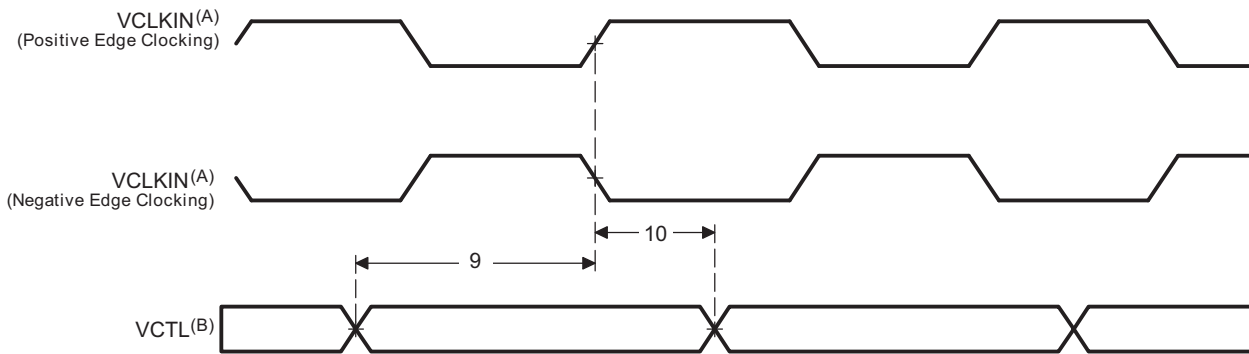


Figure 6-35. VPBE PCLK and EXTCLK Timing

Table 6-52. Timing Requirements for VPBE Control Input With Respect to PCLK and EXTCLK⁽¹⁾ ⁽²⁾ ⁽³⁾ (see Figure 6-36)

| NO. | | | DEVICE | | UNIT |
|-----|--|---------------|--------|-----|------|
| | | | MIN | MAX | |
| 9 | $t_{su(VCTLV-VCLKIN)}$ Setup time, VCTL valid before VCLKIN edge | Positive Edge | 4 | ns | |
| | | Negative Edge | 3 | | |
| 10 | $t_h(VCLKIN-VCTLV)$ Hold time, VCTL valid after VCLKIN edge | Positive Edge | 1 | ns | |
| | | Negative Edge | 2 | | |

- (1) The VPBE may be configured to operate in either positive or negative edge clocking mode. When in positive edge clocking mode, the rising edge of VCLKIN is referenced. When in negative edge clocking mode, the falling edge of VCLKIN is referenced.
- (2) VCTL = HSYNC, VSYNC, and FIELD
- (3) VCLKIN = PCLK or EXTCLK. Positive and Negative Edge apply to PCLK only; EXTCLK does not support Negative Edge clocking.



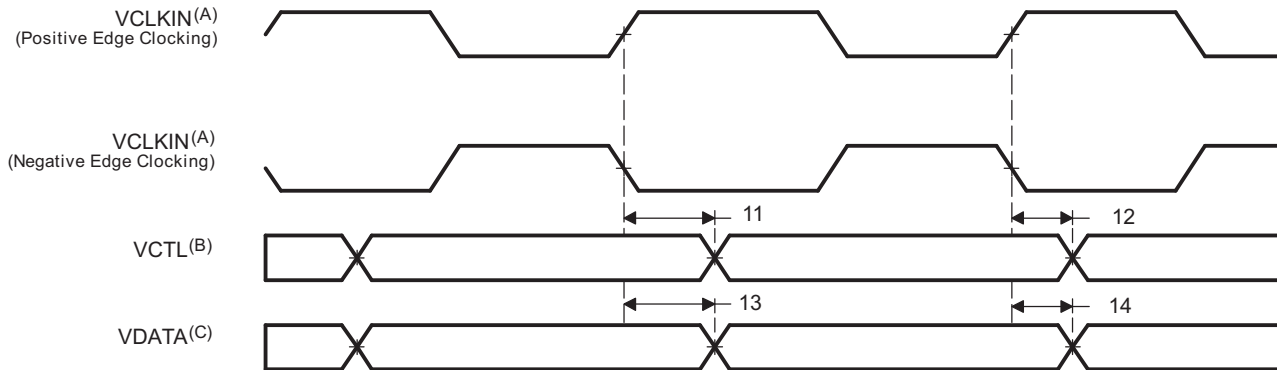
- A. VCLKIN = PCLK or EXTCLK. Note Positive and Negative edge apply for PCLK only, EXTCLK does not support negative edge clocking.
- B. VCTL = HSYNC, VSYNC, and FIELD

Figure 6-36. VPBE Input Timing With Respect to PCLK and EXTCLK

Table 6-53. Switching Characteristics Over Recommended Operating Conditions for VPBE Control and Data Output With Respect to PCLK and EXTCLK⁽¹⁾ ⁽²⁾ ⁽³⁾ (see Figure 6-37)

| NO. | PARAMETER | | DEVICE | | UNIT |
|-----|-------------------------|--|-----------------|------|------|
| | | | MIN | MAX | |
| 11 | $t_{d(VCLKIN-VCTLV)}$ | Delay time, VCLKIN edge to VCTL valid | Positive Edge | 15 | ns |
| | | | Negative Edge | 16 | |
| 12 | $t_{d(VCLKIN-VCTLIV)}$ | Delay time, VCLKIN edge to VCTL invalid | 2 | | ns |
| 13 | $t_{d(VCLKIN-VDATAV)}$ | Delay time, VCLKIN edge to VDATA valid | VCLKIN = EXTCLK | 15 | ns |
| | | | VCLKIN = PCLK | 17.5 | |
| 14 | $t_{d(VCLKIN-VDATAIV)}$ | Delay time, VCLKIN edge to VDATA invalid | 2 | | ns |

- (1) The VPBE may be configured to operate in either positive or negative edge clocking mode. When in positive edge clocking mode, the rising edge of VCLKIN is referenced. When in negative edge clocking mode, the falling edge of VCLKIN is referenced.
- (2) VCLKIN = PCLK or EXTCLK. Positive and Negative Edge apply to PCLK only; EXTCLK does not support Negative Edge clocking.
- (3) VCTL = HSYNC, VSYNC, FIELD, and LCD_OE.



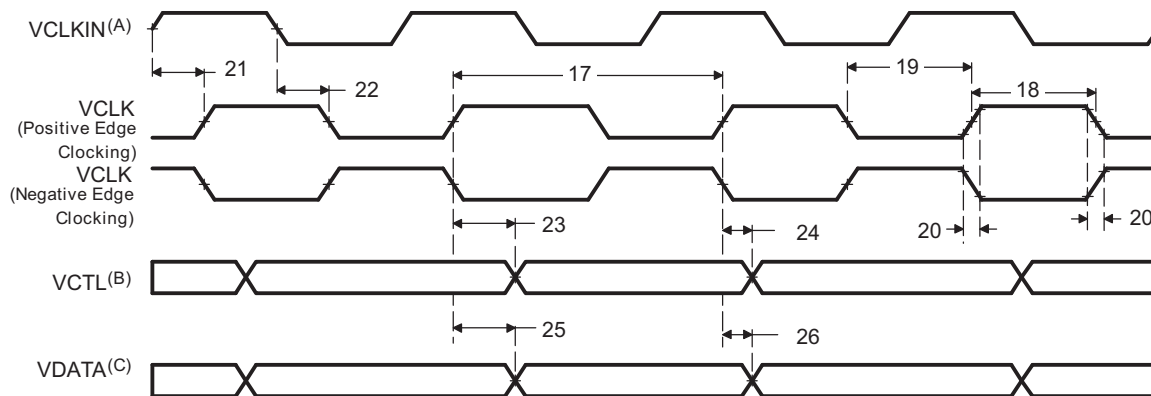
- A. VCLKIN = PCLK or EXTCLK. Note Positive and Negative edge apply for PCLK only, EXTCLK does not support negative edge clocking.
- B. VCTL = HSYNC, VSYNC, FIELD, and LCD_OE
- C. VDATA = COUT[7:0], YOUT[7:0], R[7:0], G[7:0], and B[7:0]

Figure 6-37. VPBE Control and Data Output With Respect to PCLK and EXTCLK

Table 6-54. Switching Characteristics Over Recommended Operating Conditions for VPBE Control and Data Output With Respect to VCLK^{(1) (2) (3)}(see Figure 6-38)

| NO. | PARAMETER | | DEVICE | | UNIT |
|-----|----------------------|--|--------|-----|------|
| | | | MIN | MAX | |
| 17 | $t_c(VCLK)$ | Cycle time, VCLK | 13.33 | 160 | ns |
| 18 | $t_w(VCLKH)$ | Pulse duration, VCLK high | 5.7 | | ns |
| 19 | $t_w(VCLKL)$ | Pulse duration, VCLK low | 5.7 | | ns |
| 20 | $t_t(VCLK)$ | Transition time, VCLK | | 3 | ns |
| 21 | $t_d(VCLKINH-VCLKH)$ | Delay time, VCLKIN high to VCLK high | 3 | 16 | ns |
| 22 | $t_d(VCLKINL-VCLKL)$ | Delay time, VCLKIN low to VCLK low | 3 | 16 | ns |
| 23 | $t_d(VCLK-VCTLV)$ | Delay time, VCLK edge to VCTL valid | | 1.5 | ns |
| 24 | $t_d(VCLK-VCTLIV)$ | Delay time, VCLK edge to VCTL invalid | -1.5 | | ns |
| 25 | $t_d(VCLK-VDATAV)$ | Delay time, VCLK edge to VDATA valid | | 1.5 | ns |
| 26 | $t_d(VCLK-VDATAIV)$ | Delay time, VCLK edge to VDATA invalid | -1.5 | | ns |

- (1) The VPBE may be configured to operate in either positive or negative edge clocking mode. When in positive edge clocking mode, the rising edge of VCLK is referenced. When in negative edge clocking mode, the falling edge of VCLK is referenced.
- (2) VCLKIN = PCLK or EXTCLK. Positive and Negative edge apply for PCLK only, EXTCLK does not support negative edge clocking. For timing specifications relating to PCLK, see Table 6-44, *Timing Requirements for VPFE PCLK Master/Slave Mode*.
- (3) VCTL= HSYNC, VSYNC, FIELD and LCD_OE.



- A. VCLKIN = PCLK or EXTCLK. Note Positive and Negative edge apply for PCLK only, EXTCLK does not support negative edge clocking.
- B. VCTL = HSYNC, VSYNC, FIELD, and LCD_OE
- C. VDATA = COUT[7:0], YOUT[7:0], R[7:0], G[7:0], and B[7:0]

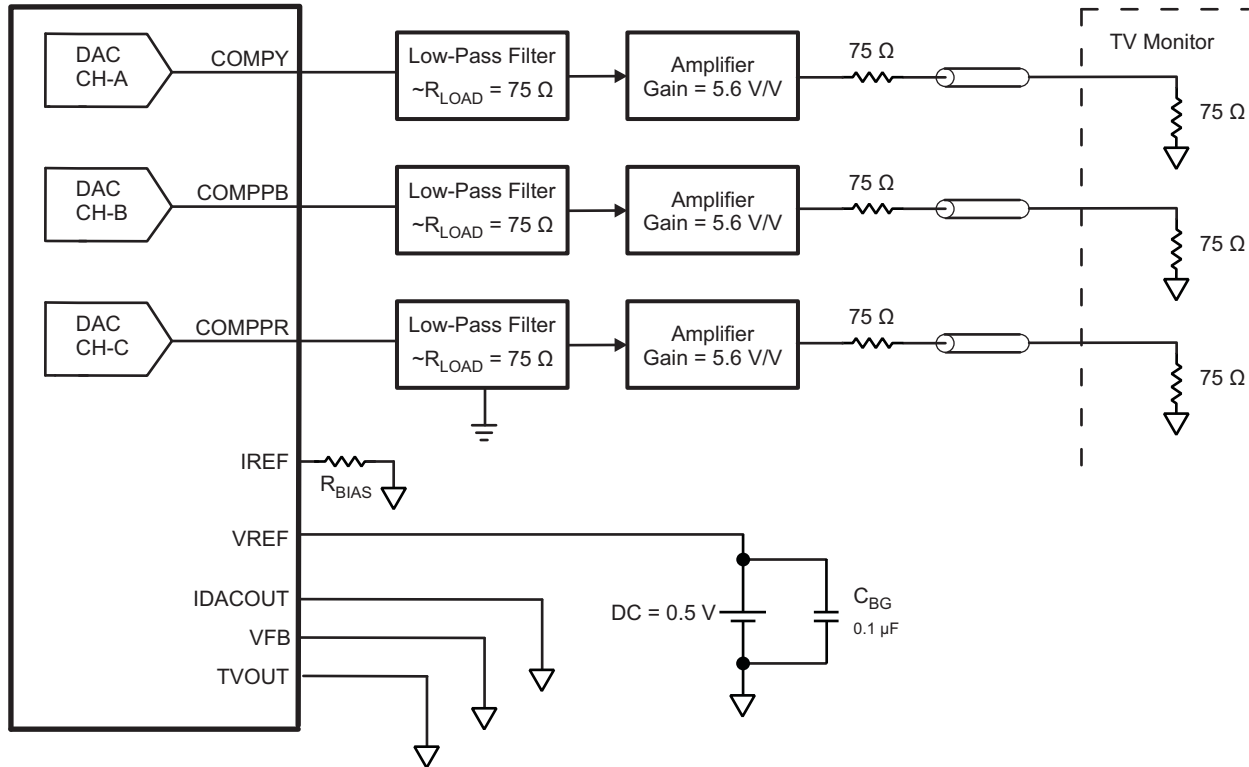
Figure 6-38. VPBE Control and Data Output Timing With Respect to VCLK

6.12.2.4 High-Definition (HD) DACs and Video Buffer Electrical Data/Timing

Three DACs and a video buffer are available on the device.

6.12.2.4.1 HD DACs-Only Option

In the HD DACs-only configuration, the internal video buffer is not used and an external video buffer is attached to the DACs. Another solution is to use a Video Amplifier, such as the Texas Instruments' THS7303 which provides a complete solution to the typical output circuit shown in Figure 6-39.



- A. $R_{BIAS} = 2400\Omega$.
- B. $V_{REF} = 0.5V$ (from external supply).
- C. IDACOUT must be connected to V_{SS} or left open for proper device configuration.
- D. VFB must be connected to V_{SS} or left open for proper device configuration.
- E. TVOUT must be connected to V_{SS} or left open for proper device configuration.

Figure 6-39. HD Video DAC Application Example

6.12.2.4.2 DAC With Video Buffer Option

In a DAC plus video buffer configuration, one of the DACs may be used along with the video buffer for standard definition TVOUT mode. In the DAC plus video buffer configuration, the DAC and internal video buffer are both used, and a TV cable may be attached directly to the output of the video buffer. Figure 6-40 shows an example of the DAC Plus Video Buffer Option circuit configuration.

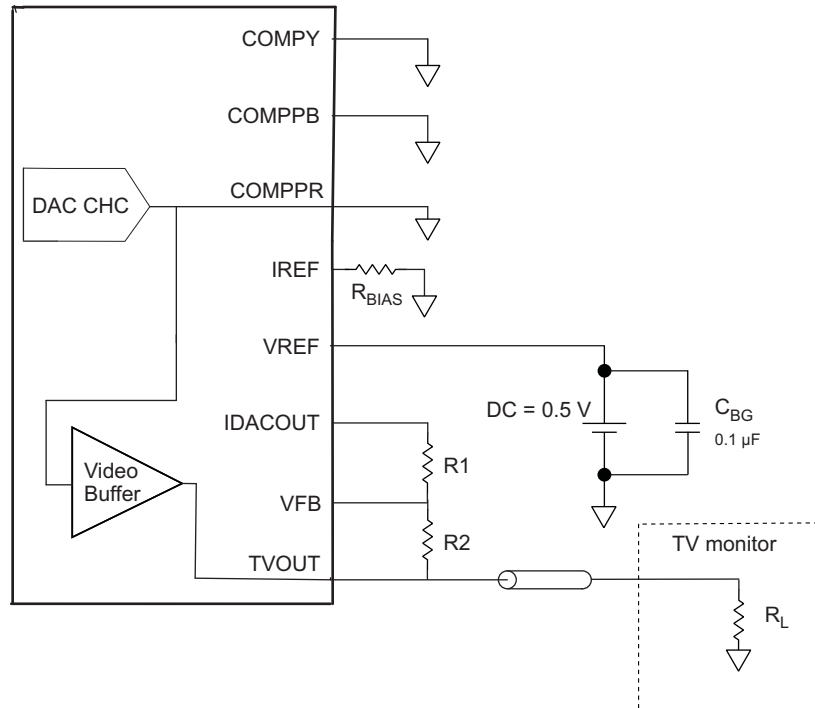


Figure 6-40. SD Video Buffer Application Example

6.13 USB 2.0

The USB2.0 peripheral supports the following features:

- USB 2.0 peripheral at speeds high speed (HS: 480 Mb/s) and full speed (FS: 12 Mb/s)
- USB 2.0 host at speeds HS, FS, and low speed (LS: 1.5 Mb/s)
- All transfer modes (control, bulk, interrupt, and isochronous)
- Four Transmit (TX) and four Receive (RX) endpoints in addition to endpoint 0
- FIFO RAM
 - 4K bytes shared by all endpoints.
 - Programmable FIFO size
- Includes a DMA sub-module that supports four TX and four RX channels of CPPI 3.0 DMAs
- RNDIS mode for accelerating RNDIS type protocols using short packet termination over USB
- USB OTG extensions, i.e. session request protocol (SRP) and host negotiation protocol (HNP)

The USB2.0 peripheral does not support the following features:

- On-chip charge pump
- High bandwidth ISO mode is not supported (triple buffering)
- RNDIS mode acceleration for USB sizes that are not multiples of 64 bytes
- Endpoint max USB packet sizes that do not conform to the USB 2.0 spec (for FS/LS: 8, 16, 32, 64, and 1023 are defined; for HS: 64, 128, 512, and 1024 are defined)

6.13.1 USB Peripheral Register Description(s)

Table 6-55 lists the USB registers, their corresponding acronyms, and the device memory locations (offsets).

Table 6-55. Universal Serial Bus (USB) Registers

| Offset | Acronym | Register Description |
|--------|--------------|--|
| 4h | CTRLR | Control Register |
| 8h | STATR | Status Register |
| 10h | RNDISR | RNDIS Register |
| 14h | AUTOREQ | Autorequest Register |
| 20h | INTSRCR | USB Interrupt Source Register |
| 24h | INTSETR | USB Interrupt Source Set Register |
| 28h | INTCLRR | USB Interrupt Source Clear Register |
| 2Ch | INTMSKR | USB Interrupt Mask Register |
| 30h | INTMSKSETR | USB Interrupt Mask Set Register |
| 34h | INTMSKCLRR | USB Interrupt Mask Clear Register |
| 38h | INTMASKEDR | USB Interrupt Source Masked Register |
| 3Ch | EOIR | USB End of Interrupt Register |
| 40h | INTVECTR | USB Interrupt Vector Register |
| 80h | TCPPICR | Transmit CPPI Control Register |
| 84h | TCPPITDR | Transmit CPPI Teardown Register |
| 88h | TCPPIEOIR | Transmit CPPI DMA Controller End of Interrupt Register |
| 8Ch | Reserved | - |
| 90h | TCPPIMSKSR | Transmit CPPI Masked Status Register |
| 94h | TCPPIRAWSR | Transmit CPPI Raw Status Register |
| 98h | TCPPIIENSETR | Transmit CPPI Interrupt Enable Set Register |
| 9Ch | TCPPIIENCLRR | Transmit CPPI Interrupt Enable Clear Register |
| C0h | RCPPICR | Receive CPPI Control Register |
| D0h | RCPPIMSKSR | Receive CPPI Masked Status Register |

Table 6-55. Universal Serial Bus (USB) Registers (continued)

| Offset | Acronym | Register Description |
|--|------------------|--|
| D4h | RCPPIRAWSR | Receive CPPI Raw Status Register |
| D8h | RCPPIENSETR | Receive CPPI Interrupt Enable Set Register |
| DCh | RCPPIENCLR | Receive CPPI Interrupt Enable Clear Register |
| E0h | RBUFCNT0 | Receive Buffer Count 0 Register |
| E4h | RBUFCNT1 | Receive Buffer Count 1 Register |
| E8h | RBUFCNT2 | Receive Buffer Count 2 Register |
| ECh | RBUFCNT3 | Receive Buffer Count 3 Register |
| Transmit/Receive CPPI Channel 0 State Block | | |
| 100h | TCPPIIDMASTATEW0 | Transmit CPPI DMA State Word 0 |
| 104h | TCPPIIDMASTATEW1 | Transmit CPPI DMA State Word 1 |
| 108h | TCPPIIDMASTATEW2 | Transmit CPPI DMA State Word 2 |
| 10Ch | TCPPIIDMASTATEW3 | Transmit CPPI DMA State Word 3 |
| 110h | TCPPIIDMASTATEW4 | Transmit CPPI DMA State Word 4 |
| 114h | TCPPIIDMASTATEW5 | Transmit CPPI DMA State Word 5 |
| 11Ch | TCPPIICOMPTR | Transmit CPPI Completion Pointer |
| 120h | RCPPIDMASTATEW0 | Receive CPPI DMA State Word 0 |
| 124h | RCPPIDMASTATEW1 | Receive CPPI DMA State Word 1 |
| 128h | RCPPIDMASTATEW2 | Receive CPPI DMA State Word 2 |
| 12Ch | RCPPIDMASTATEW3 | Receive CPPI DMA State Word 3 |
| 130h | RCPPIDMASTATEW4 | Receive CPPI DMA State Word 4 |
| 134h | RCPPIDMASTATEW5 | Receive CPPI DMA State Word 5 |
| 138h | RCPPIDMASTATEW6 | Receive CPPI DMA State Word 6 |
| 13Ch | RCPPICOMPTR | Receive CPPI Completion Pointer |
| Transmit/Receive CPPI Channel 1 State Block | | |
| 140h | TCPPIIDMASTATEW0 | Transmit CPPI DMA State Word 0 |
| 144h | TCPPIIDMASTATEW1 | Transmit CPPI DMA State Word 1 |
| 148h | TCPPIIDMASTATEW2 | Transmit CPPI DMA State Word 2 |
| 14Ch | TCPPIIDMASTATEW3 | Transmit CPPI DMA State Word 3 |
| 150h | TCPPIIDMASTATEW4 | Transmit CPPI DMA State Word 4 |
| 154h | TCPPIIDMASTATEW5 | Transmit CPPI DMA State Word 5 |
| 15Ch | TCPPIICOMPTR | Transmit CPPI Completion Pointer |
| 160h | RCPPIDMASTATEW0 | Receive CPPI DMA State Word 0 |
| 164h | RCPPIDMASTATEW1 | Receive CPPI DMA State Word 1 |
| 168h | RCPPIDMASTATEW2 | Receive CPPI DMA State Word 2 |
| 16Ch | RCPPIDMASTATEW3 | Receive CPPI DMA State Word 3 |
| 170h | RCPPIDMASTATEW4 | Receive CPPI DMA State Word 4 |
| 174h | RCPPIDMASTATEW5 | Receive CPPI DMA State Word 5 |
| 178h | RCPPIDMASTATEW6 | Receive CPPI DMA State Word 6 |
| 17Ch | RCPPICOMPTR | Receive CPPI Completion Pointer |
| Transmit/Receive CPPI Channel 2 State Block | | |
| 180h | TCPPIIDMASTATEW0 | Transmit CPPI DMA State Word 0 |
| 184h | TCPPIIDMASTATEW1 | Transmit CPPI DMA State Word 1 |
| 188h | TCPPIIDMASTATEW2 | Transmit CPPI DMA State Word 2 |
| 18Ch | TCPPIIDMASTATEW3 | Transmit CPPI DMA State Word 3 |
| 190h | TCPPIIDMASTATEW4 | Transmit CPPI DMA State Word 4 |
| 194h | TCPPIIDMASTATEW5 | Transmit CPPI DMA State Word 5 |
| 19Ch | TCPPIICOMPTR | Transmit CPPI Completion Pointer |

Table 6-55. Universal Serial Bus (USB) Registers (continued)

| Offset | Acronym | Register Description |
|--|-----------------|---|
| 1A0h | RCPPIDMASTATEW0 | Receive CPPI DMA State Word 0 |
| 1A4h | RCPPIDMASTATEW1 | Receive CPPI DMA State Word 1 |
| 1A8h | RCPPIDMASTATEW2 | Receive CPPI DMA State Word 2 |
| 1ACh | RCPPIDMASTATEW3 | Receive CPPI DMA State Word 3 |
| 1B0h | RCPPIDMASTATEW4 | Receive CPPI DMA State Word 4 |
| 1B4h | RCPPIDMASTATEW5 | Receive CPPI DMA State Word 5 |
| 1B8h | RCPPIDMASTATEW6 | Receive CPPI DMA State Word 6 |
| 1BCh | RCPPICOMPTR | Receive CPPI Completion Pointer |
| Transmit/Receive CPPI Channel 3 State Block | | |
| 1C0h | TCPPIDMASTATEW0 | Transmit CPPI DMA State Word 0 |
| 1C4h | TCPPIDMASTATEW1 | Transmit CPPI DMA State Word 1 |
| 1C8h | TCPPIDMASTATEW2 | Transmit CPPI DMA State Word 2 |
| 1CCh | TCPPIDMASTATEW3 | Transmit CPPI DMA State Word 3 |
| 1D0h | TCPPIDMASTATEW4 | Transmit CPPI DMA State Word 4 |
| 1D4h | TCPPIDMASTATEW5 | Transmit CPPI DMA State Word 5 |
| 1DCh | TCPPICOMPTR | Transmit CPPI Completion Pointer |
| 1E0h | RCPPIDMASTATEW0 | Receive CPPI DMA State Word 0 |
| 1E4h | RCPPIDMASTATEW1 | Receive CPPI DMA State Word 1 |
| 1E8h | RCPPIDMASTATEW2 | Receive CPPI DMA State Word 2 |
| 1ECh | RCPPIDMASTATEW3 | Receive CPPI DMA State Word 3 |
| 1F0h | RCPPIDMASTATEW4 | Receive CPPI DMA State Word 4 |
| 1F4h | RCPPIDMASTATEW5 | Receive CPPI DMA State Word 5 |
| 1F8h | RCPPIDMASTATEW6 | Receive CPPI DMA State Word 6 |
| 1FCh | RCPPICOMPTR | Receive CPPI Completion Pointer |
| Common USB Registers | | |
| 400h | FADDR | Function Address Register |
| 401h | POWER | Power Management Register |
| 402h | INTRTX | Interrupt Register for Endpoint 0 plus Transmit Endpoints 1 to 4 |
| 404h | INTRRX | Interrupt Register for Receive Endpoints 1 to 4 |
| 406h | INTRTXE | Interrupt enable register for INTRTX |
| 408h | INTRRXE | Interrupt Enable Register for INTRRX |
| 40Ah | INTRUSB | Interrupt Register for Common USB Interrupts |
| 40Bh | INTRUSBE | Interrupt Enable Register for INTRUSB |
| 40Ch | FRAME | Frame Number Register |
| 40Eh | INDEX | Index Register for Selecting the Endpoint Status and Control Registers |
| 40Fh | TESTMODE | Register to Enable the USB 2.0 Test Modes |
| Indexed Registers | | |
| These registers operate on the endpoint selected by the INDEX register | | |
| 410h | TXMAXP | Maximum Packet Size for Peripheral/Host Transmit Endpoint. (Index register set to select Endpoints 1-4) |
| 412h | PERI_CSR0 | Control Status Register for Endpoint 0 in Peripheral Mode. (Index register set to select Endpoint 0) |
| | HOST_CSR0 | Control Status Register for Endpoint 0 in Host Mode. (Index register set to select Endpoint 0) |
| | PERI_TXCSR | Control Status Register for Peripheral Transmit Endpoint. (Index register set to select Endpoints 1-4) |
| | HOST_TXCSR | Control Status Register for Host Transmit Endpoint. (Index register set to select Endpoints 1-4) |

Table 6-55. Universal Serial Bus (USB) Registers (continued)

| Offset | Acronym | Register Description |
|---|-----------------|--|
| 414h | RXMAXP | Maximum Packet Size for Peripheral/Host Receive Endpoint. (Index register set to select Endpoints 1-4) |
| 416h | PERI_RXCSR | Control Status Register for Peripheral Receive Endpoint. (Index register set to select Endpoints 1-4) |
| | HOST_RXCSR | Control Status Register for Host Receive Endpoint. (Index register set to select Endpoints 1-4) |
| 418h | COUNT0 | Number of Received Bytes in Endpoint 0 FIFO. (Index register set to select Endpoint 0) |
| | RXCOUNT | Number of Bytes in Host Receive Endpoint FIFO. (Index register set to select Endpoints 1-4) |
| 41Ah | HOST_TYPE0 | Defines the speed of Endpoint 0 |
| | HOST_TXTYPE | Sets the operating speed, transaction protocol and peripheral endpoint number for the host Transmit endpoint. (Index register set to select Endpoints 1-4) |
| 41Bh | HOST_NAKLIMIT0 | Sets the NAK response timeout on Endpoint 0. (Index register set to select Endpoint 0) |
| | HOST_TXINTERVAL | Sets the polling interval for Interrupt/ISOC transactions or the NAK response timeout on Bulk transactions for host Transmit endpoint. (Index register set to select Endpoints 1-4) |
| 41Ch | HOST_RXTYPE | Sets the operating speed, transaction protocol and peripheral endpoint number for the host Receive endpoint. (Index register set to select Endpoints 1-4) |
| 41Dh | HOST_RXINTERVAL | Sets the polling interval for Interrupt/ISOC transactions or the NAK response timeout on Bulk transactions for host Receive endpoint. (Index register set to select Endpoints 1-4) |
| 41Fh | CONFIGDATA | Returns details of core configuration. (Index register set to select Endpoint 0) |
| FIFOs | | |
| 420h | FIFO0 | Transmit and Receive FIFO Register for Endpoint 0 |
| 424h | FIFO1 | Transmit and Receive FIFO Register for Endpoint 1 |
| 428h | FIFO2 | Transmit and Receive FIFO Register for Endpoint 2 |
| 42Ch | FIFO3 | Transmit and Receive FIFO Register for Endpoint 3 |
| 430h | FIFO4 | Transmit and Receive FIFO Register for Endpoint 4 |
| OTG Device Control | | |
| 460h | DEVCTL | OTG Device Control Register |
| Dynamic FIFO Control | | |
| 462h | TXFIFOSZ | Transmit Endpoint FIFO Size (Index register set to select Endpoints 1-4) |
| 463h | RXFIFOSZ | Receive Endpoint FIFO Size (Index register set to select Endpoints 1-4) |
| 464h | TXFIFOADDR | Transmit Endpoint FIFO Address (Index register set to select Endpoints 1-4) |
| 466h | RXFIFOADDR | Receive Endpoint FIFO Address (Index register set to select Endpoints 1-4) |
| Target Endpoint 0 Control Registers, Valid Only in Host Mode | | |
| 480h | TXFUNCADDR | Address of the target function that has to be accessed through the associated Transmit Endpoint. |
| 482h | TXHUBADDR | Address of the hub that has to be accessed through the associated Transmit Endpoint. This is used only when full speed or low speed device is connected via a USB2.0 high-speed hub. |
| 483h | TXHUBPORT | Port of the hub that has to be accessed through the associated Transmit Endpoint. This is used only when full speed or low speed device is connected via a USB2.0 high-speed hub. |
| 484h | RXFUNCADDR | Address of the target function that has to be accessed through the associated Receive Endpoint. |

Table 6-55. Universal Serial Bus (USB) Registers (continued)

| Offset | Acronym | Register Description |
|---|------------|--|
| 486h | RXHUBADDR | Address of the hub that has to be accessed through the associated Receive Endpoint. This is used only when full speed or low speed device is connected via a USB2.0 high-speed hub. |
| 487h | RXHUBPORT | Port of the hub that has to be accessed through the associated Receive Endpoint. This is used only when full speed or low speed device is connected via a USB2.0 high-speed hub. |
| Target Endpoint 1 Control Registers, Valid Only in Host Mode | | |
| 488h | TXFUNCADDR | Address of the target function that has to be accessed through the associated Transmit Endpoint. |
| 48Ah | TXHUBADDR | Address of the hub that has to be accessed through the associated Transmit Endpoint. This is used only when full speed or low speed device is connected via a USB2.0 high-speed hub. |
| 48Bh | TXHUBPORT | Port of the hub that has to be accessed through the associated Transmit Endpoint. This is used only when full speed or low speed device is connected via a USB2.0 high-speed hub. |
| 48Ch | RXFUNCADDR | Address of the target function that has to be accessed through the associated Receive Endpoint. |
| 48Eh | RXHUBADDR | Address of the hub that has to be accessed through the associated Receive Endpoint. This is used only when full speed or low speed device is connected via a USB2.0 high-speed hub. |
| 48Fh | RXHUBPORT | Port of the hub that has to be accessed through the associated Receive Endpoint. This is used only when full speed or low speed device is connected via a USB2.0 high-speed hub. |
| Target Endpoint 2 Control Registers, Valid Only in Host Mode | | |
| 490h | TXFUNCADDR | Address of the target function that has to be accessed through the associated Transmit Endpoint. |
| 492h | TXHUBADDR | Address of the hub that has to be accessed through the associated Transmit Endpoint. This is used only when full speed or low speed device is connected via a USB2.0 high-speed hub. |
| 493h | TXHUBPORT | Port of the hub that has to be accessed through the associated Transmit Endpoint. This is used only when full speed or low speed device is connected via a USB2.0 high-speed hub. |
| 494h | RXFUNCADDR | Address of the target function that has to be accessed through the associated Receive Endpoint. |
| 496h | RXHUBADDR | Address of the hub that has to be accessed through the associated Receive Endpoint. This is used only when full speed or low speed device is connected via a USB2.0 high-speed hub. |
| 497h | RXHUBPORT | Port of the hub that has to be accessed through the associated Receive Endpoint. This is used only when full speed or low speed device is connected via a USB2.0 high-speed hub. |
| Target Endpoint 3 Control Registers, Valid Only in Host Mode | | |
| 498h | TXFUNCADDR | Address of the target function that has to be accessed through the associated Transmit Endpoint. |
| 49Ah | TXHUBADDR | Address of the hub that has to be accessed through the associated Transmit Endpoint. This is used only when full speed or low speed device is connected via a USB2.0 high-speed hub. |
| 49Bh | TXHUBPORT | Port of the hub that has to be accessed through the associated Transmit Endpoint. This is used only when full speed or low speed device is connected via a USB2.0 high-speed hub. |
| 49Ch | RXFUNCADDR | Address of the target function that has to be accessed through the associated Receive Endpoint. |
| 49Eh | RXHUBADDR | Address of the hub that has to be accessed through the associated Receive Endpoint. This is used only when full speed or low speed device is connected via a USB2.0 high-speed hub. |
| 49Fh | RXHUBPORT | Port of the hub that has to be accessed through the associated Receive Endpoint. This is used only when full speed or low speed device is connected via a USB2.0 high-speed hub. |
| Target Endpoint 4 Control Registers, Valid Only in Host Mode | | |

Table 6-55. Universal Serial Bus (USB) Registers (continued)

| Offset | Acronym | Register Description |
|---|-----------------|--|
| 4A0h | TXFUNCADDR | Address of the target function that has to be accessed through the associated Transmit Endpoint. |
| 4A2h | TXHUBADDR | Address of the hub that has to be accessed through the associated Transmit Endpoint. This is used only when full speed or low speed device is connected via a USB2.0 high-speed hub. |
| 4A3h | TXHUBPORT | Port of the hub that has to be accessed through the associated Transmit Endpoint. This is used only when full speed or low speed device is connected via a USB2.0 high-speed hub. |
| 4A4h | RXFUNCADDR | Address of the target function that has to be accessed through the associated Receive Endpoint. |
| 4A6h | RXHUBADDR | Address of the hub that has to be accessed through the associated Receive Endpoint. This is used only when full speed or low speed device is connected via a USB2.0 high-speed hub. |
| 4A7h | RXHUBPORT | Port of the hub that has to be accessed through the associated Receive Endpoint. This is used only when full speed or low speed device is connected via a USB2.0 high-speed hub. |
| Control and Status Register for Endpoint 0 | | |
| 502h | PERI_CSR0 | Control Status Register for Endpoint 0 in Peripheral Mode |
| | HOST_CSR0 | Control Status Register for Endpoint 0 in Host Mode |
| 508h | COUNT0 | Number of Received Bytes in Endpoint 0 FIFO |
| 50Ah | HOST_TYPE0 | Defines the Speed of Endpoint 0 |
| 50Bh | HOST_NAKLIMIT0 | Sets the NAK Response Timeout on Endpoint 0 |
| 50Fh | CONFIGDATA | Returns details of core configuration. |
| Control and Status Register for Endpoint 1 | | |
| 510h | TXMAXP | Maximum Packet Size for Peripheral/Host Transmit Endpoint |
| 512h | PERI_TXCSR | Control Status Register for Peripheral Transmit Endpoint (peripheral mode) |
| | HOST_TXCSR | Control Status Register for Host Transmit Endpoint (host mode) |
| 514h | RXMAXP | Maximum Packet Size for Peripheral/Host Receive Endpoint |
| 516h | PERI_RXCSR | Control Status Register for Peripheral Receive Endpoint (peripheral mode) |
| | HOST_RXCSR | Control Status Register for Host Receive Endpoint (host mode) |
| 518h | RXCOUNT | Number of Bytes in Host Receive endpoint FIFO |
| 51Ah | HOST_TXTYPE | Sets the operating speed, transaction protocol and peripheral endpoint number for the host Transmit endpoint. |
| 51Bh | HOST_TXINTERVAL | Sets the polling interval for Interrupt/ISOC transactions or the NAK response timeout on Bulk transactions for host Transmit endpoint. |
| 51Ch | HOST_RXTYPE | Sets the operating speed, transaction protocol and peripheral endpoint number for the host Receive endpoint. |
| 51Dh | HOST_RXINTERVAL | Sets the polling interval for Interrupt/ISOC transactions or the NAK response timeout on Bulk transactions for host Receive endpoint. |
| Control and Status Register for Endpoint 2 | | |
| 520h | TXMAXP | Maximum Packet Size for Peripheral/Host Transmit Endpoint |
| 522h | PERI_TXCSR | Control Status Register for Peripheral Transmit Endpoint (peripheral mode) |
| | HOST_TXCSR | Control Status Register for Host Transmit Endpoint (host mode) |
| 524h | RXMAXP | Maximum Packet Size for Peripheral/Host Receive Endpoint |
| 526h | PERI_RXCSR | Control Status Register for Peripheral Receive Endpoint (peripheral mode) |
| | HOST_RXCSR | Control Status Register for Host Receive Endpoint (host mode) |

Table 6-55. Universal Serial Bus (USB) Registers (continued)

| Offset | Acronym | Register Description |
|---|-----------------|--|
| 528h | RXCOUNT | Number of Bytes in Host Receive endpoint FIFO |
| 52Ah | HOST_TXTYPE | Sets the operating speed, transaction protocol and peripheral endpoint number for the host Transmit endpoint. |
| 52Bh | HOST_TXINTERVAL | Sets the polling interval for Interrupt/ISOC transactions or the NAK response timeout on Bulk transactions for host Transmit endpoint. |
| 52Ch | HOST_RXTYPE | Sets the operating speed, transaction protocol and peripheral endpoint number for the host Receive endpoint. |
| 52Dh | HOST_RXINTERVAL | Sets the polling interval for Interrupt/ISOC transactions or the NAK response timeout on Bulk transactions for host Receive endpoint. |
| Control and Status Register for Endpoint 3 | | |
| 530h | TXMAXP | Maximum Packet Size for Peripheral/Host Transmit Endpoint |
| 532h | PERI_TXCSR | Control Status Register for Peripheral Transmit Endpoint (peripheral mode) |
| | HOST_TXCSR | Control Status Register for Host Transmit Endpoint (host mode) |
| 534h | RXMAXP | Maximum Packet Size for Peripheral/Host Receive Endpoint |
| 536h | PERI_RXCSR | Control Status Register for Peripheral Receive Endpoint (peripheral mode) |
| | HOST_RXCSR | Control Status Register for Host Receive Endpoint (host mode) |
| 538h | RXCOUNT | Number of Bytes in Host Receive endpoint FIFO |
| 53Ah | HOST_TXTYPE | Sets the operating speed, transaction protocol and peripheral endpoint number for the host Transmit endpoint. |
| 53Bh | HOST_TXINTERVAL | Sets the polling interval for Interrupt/ISOC transactions or the NAK response timeout on Bulk transactions for host Transmit endpoint. |
| 53Ch | HOST_RXTYPE | Sets the operating speed, transaction protocol and peripheral endpoint number for the host Receive endpoint. |
| 53Dh | HOST_RXINTERVAL | Sets the polling interval for Interrupt/ISOC transactions or the NAK response timeout on Bulk transactions for host Receive endpoint. |
| Control and Status Register for Endpoint 4 | | |
| 540h | TXMAXP | Maximum Packet Size for Peripheral/Host Transmit Endpoint |
| 542h | PERI_TXCSR | Control Status Register for Peripheral Transmit Endpoint (peripheral mode) |
| | HOST_TXCSR | Control Status Register for Host Transmit Endpoint (host mode) |
| 544h | RXMAXP | Maximum Packet Size for Peripheral/Host Receive Endpoint |
| 546h | PERI_RXCSR | Control Status Register for Peripheral Receive Endpoint (peripheral mode) |
| | HOST_RXCSR | Control Status Register for Host Receive Endpoint (host mode) |
| 548h | RXCOUNT | Number of Bytes in Host Receive endpoint FIFO |
| 54Ah | HOST_TXTYPE | Sets the operating speed, transaction protocol and peripheral endpoint number for the host Transmit endpoint. |
| 54Bh | HOST_TXINTERVAL | Sets the polling interval for Interrupt/ISOC transactions or the NAK response timeout on Bulk transactions for host Transmit endpoint. |
| 54Ch | HOST_RXTYPE | Sets the operating speed, transaction protocol and peripheral endpoint number for the host Receive endpoint. |
| 54Dh | HOST_RXINTERVAL | Sets the polling interval for Interrupt/ISOC transactions or the NAK response timeout on Bulk transactions for host Receive endpoint. |

6.13.2 USB2.0 Electrical Data/Timing

Table 6-56. Switching Characteristics Over Recommended Operating Conditions for USB2.0 (see Figure 6-41)

| NO. | PARAMETER | DEVICE | | | | | | UNIT | | |
|-----|-------------------|---|-----|-----------------------|------|---------------------------------------|--------|------|------|----------|
| | | LOW SPEED 1.5 Mbps | | FULL SPEED 12 Mbps | | HIGH SPEED ⁽¹⁾ 480 Mbps | | | | |
| | | MIN | MAX | MIN | MAX | MIN | MAX | | | |
| 1 | $t_{r(D)}$ | Rise time, USB_DP and USB_DM signals ⁽²⁾ | | 75 | 300 | 4 | 20 | 0.5 | 20 | ns |
| 2 | $t_{f(D)}$ | Fall time, USB_DP and USB_DM signals ⁽²⁾ | | 75 | 300 | 4 | 20 | 0.5 | 20 | ns |
| 3 | t_{ffm} | Rise/Fall time, matching ⁽³⁾ | | 80 | 125 | 90 | 111.11 | - | - | % |
| 4 | V_{CRS} | Output signal cross-over voltage ⁽²⁾ | | 1.3 | 2 | 1.3 | 2 | - | - | V |
| 5 | $t_{j(source)NT}$ | Source (Host) Driver jitter, next transition | | 2 | | 2 | | | | ns |
| | $t_{j(FUNC)NT}$ | Function Driver jitter, next transition | | 25 | | 2 | | | | ns |
| 6 | $t_{j(source)PT}$ | Source (Host) Driver jitter, paired transition ⁽⁴⁾ | | 1 | | 1 | | | | ns |
| | $t_{j(FUNC)PT}$ | Function Driver jitter, paired transition | | 10 | | 1 | | | | ns |
| 7 | $t_w(EOPT)$ | Pulse duration, EOP transmitter | | 1250 | 1500 | 160 | 175 | - | - | ns |
| 8 | $t_w(EOPR)$ | Pulse duration, EOP receiver | | 670 | | 82 | | | | ns |
| 9 | $t_{(DRATE)}$ | Data Rate | | 1.5 | | 12 | | 480 | | Mb/s |
| 10 | Z_{DRV} | Driver Output Resistance | | - | - | 28 | 49.5 | 40.5 | 49.5 | Ω |

- (1) For more detailed specification information, see the Universal Serial Bus Specification Revision 2.0, Chapter 7.
- (2) Low Speed: $C_L = 200$ pF, Full Speed: $C_L = 50$ pF, High Speed: $C_L = 50$ pF
- (3) $t_{ffm} = (t_r/t_f) \times 100$. [Excluding the first transaction from the Idle state.]
- (4) $t_{jr} = t_{px(1)} - t_{px(0)}$

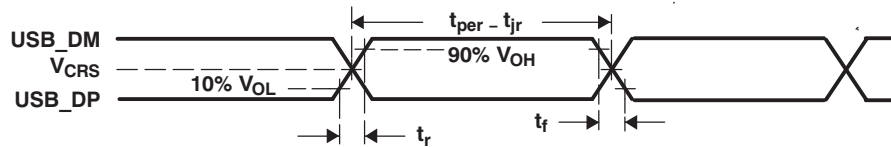


Figure 6-41. USB2.0 Integrated Transceiver Interface Timing

6.14 Universal Asynchronous Receiver/Transmitter (UART)

The UART module performs serial-to-parallel conversion on data received from a peripheral device or modem, and parallel-to-serial conversion on data received from the CPU. Each UART also includes a programmable baud rate generator capable of dividing the module's reference clock by divisors from 1 to 65,535 to produce a 16 x clock driving the internal logic. The UART modules support the following features:

- Frequency pre-scale values from 1 to 65,535 to generate appropriate baud rates
- 16-byte storage space for both the transmitter and receiver FIFOs
- Unique interrupts, one for each UART
- Unique EDMA events, both received and transmitted data for each UART
- 1, 4, 8, or 14 byte selectable receiver FIFO trigger level for autoflow control and DMA
- Programmable auto-rts and auto-cts for autoflow control (supported on UART1)
- Programmable serial data formats
 - 5, 6, 7, or 8-bit characters
 - Even, odd, or no parity bit generation and detection
 - 1, 1.5, or 2 stop bit generation
- False start bit detection
- Line break generation and detection
- Internal diagnostic capabilities
 - Loopback controls for communications link fault isolation
 - Break, parity, overrun, and framing error simulation
- Modem control functions: CTS, RTS (supported on UART1)

6.14.1 UART Peripheral Register Description(s)

Table 6-57 lists the UART registers, their corresponding acronyms, and the device memory locations (offsets).

Table 6-57. UART Registers

| OFFSET | ACRONYM | REGISTER DESCRIPTION |
|--------|-------------|---|
| 0h | RBR | Receiver Buffer Register (read only) |
| 0h | THR | Transmitter Holding Register (write only) |
| 4h | IER | Interrupt Enable Register |
| 8h | IIR | Interrupt Identification Register (read only) |
| 8h | FCR | FIFO Control Register (write only) |
| Ch | LCR | Line Control Register |
| 10h | MCR | Modem Control Register |
| 14h | LSR | Line Status Register |
| 20h | DLL | Divisor LSB Latch |
| 24h | DLH | Divisor MSB Latch |
| 28h | PID | Peripheral Identification Register |
| 30h | PWREMU_MGMT | Power and Emulation Management Register |
| 34h | MDR | Mode Definition Register |

6.14.2 UART Electrical Data/Timing

Table 6-58. Timing Requirements for UARTx Receive (see Figure 6-42)⁽¹⁾

| NO. | | | DEVICE | | UNIT |
|-----|---------------------|---|--------|-------|------|
| | | | MIN | MAX | |
| 4 | $t_w(\text{URXDB})$ | Pulse duration, receive data bit (RXDn) | .96U | 1.05U | ns |
| 5 | $t_w(\text{URXSB})$ | Pulse duration, receive start bit | .96U | 1.05U | ns |

(1) U = UART baud time = 1/programmed baud rate.

Table 6-59. Switching Characteristics Over Recommended Operating Conditions for UARTx Transmit (see Figure 6-42)⁽¹⁾

| NO. | PARAMETER | DEVICE | | UNIT |
|-----|---------------------|--|-------|------|
| | | MIN | MAX | |
| 1 | $f_{(\text{baud})}$ | UART0 Maximum programmable baud rate UART1 Maximum programmable baud rate | | MHz |
| 2 | $t_w(\text{UTXDB})$ | U - 2 | U + 2 | ns |
| 3 | $t_w(\text{UTXSB})$ | U - 2 | U + 2 | ns |

(1) U = UART baud time = 1/programmed baud rate.

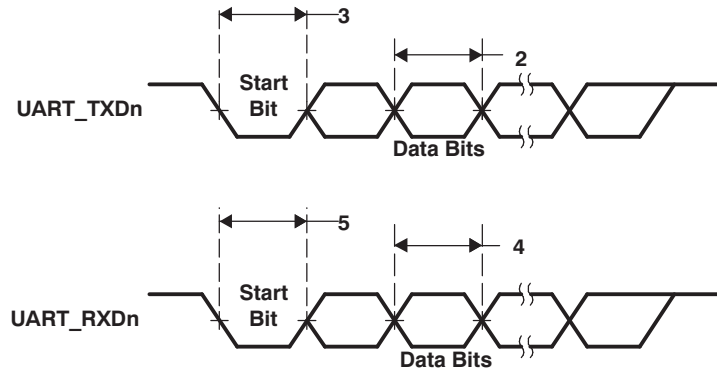


Figure 6-42. UART Transmit/Receive Timing

6.15 Serial Port Interface (SPI)

The SPI module provides a programmable length shift register which allows serial communication with other SPI devices through a 3 or 4 wire interface (Clock, Data In, Data Out, and Chip-select). The SPI supports the following features:

- Master and Slave mode operation is supported on all SPI ports (master mode means that the device provides the serial clock)
- 2 chip selects for interfacing to multiple slave SPI devices.
- 3 or 4 wire interface (Clock, Data In, Data Out, and Enable)
- Unique interrupt for each SPI port (except SPI4)
- Separate EDMA events for SPI Receive and Transmit for each SPI port (except SPI4)
- 16-bit shift register
- Receive buffer register
- Programmable character length (2 to 16 bits)
- Programmable SPI clock frequency range
- 8-bit clock prescaler
- Programmable clock phase (delay or no delay)
- Programmable clock polarity

Note: SPI4 slave mode does not support Chip-select input, only supports 3-wire interface.

The SPI modules do not support the following features:

- GPIO mode. GPIO functionality is supported by the GIO modules for those SPI pins that are multiplexed with GPIO signals.

6.15.1 SPI Peripheral Register Description(s)

Table 6-60 lists the SPI registers, their corresponding acronyms, and the device memory locations (offsets). These offsets apply to all device SPI modules.

Table 6-60. SPI Registers

| OFFSET | ACRONYM | REGISTER DESCRIPTION |
|-----------|----------|----------------------------------|
| 00h | SPIGCR0 | SPI global control register 0 |
| 04h | SPIGCR1 | SPI global control register 1 |
| 08h | SPIINT | SPI interrupt register |
| 0Ch | SPIVLV | SPI interrupt level register |
| 10h | SPIFLG | SPI flag register |
| 14h | SPIPC0 | SPI pin control register |
| 18h | - | Reserved |
| 1Ch | SPIPC2 | SPI pin control register 2 |
| 20h - 38h | - | Reserved |
| 3Ch | SPIDAT1 | SPI shift register |
| 40h | SPIBUF | SPI buffer register |
| 44h | SPIEMU | SPI emulation register |
| 48h | SPIDELAY | SPI delay register |
| 4Ch | SPIDEF | SPI default chip select register |
| 50h-5Ch | SPIFMT0 | SPI data format register 0 |
| 60h | INTVECT0 | SPI interrupt vector register 0 |
| 64h | INTVECT1 | SPI interrupt vector register 1 |

6.15.2 SPI Electrical Data/Timing

Master Mode — General

Table 6-61. General Switching Characteristics in Master Mode⁽¹⁾

| NO. | PARAMETER | | MIN | MAX | UNIT |
|-----|---------------------|---|-------------------------|------|------|
| 1 | $t_{c(CLK)}$ | Cycle time, SPI_SCLK | greater of 2P or 25 | 256P | ns |
| 2 | $t_{w(CLKH)}$ | Pulse width, SPI_SCLK high | $.5(t_{c(CLK)}) - 1.25$ | | ns |
| 3 | $t_{w(CLKL)}$ | Pulse width, SPI_SCLK low | $.5(t_{c(CLK)}) - 1.25$ | | ns |
| 4 | $t_{osu}(SIMO-CLK)$ | Output setup time, SPI_SIMO valid (1st bit) before initial SPI_SCLK rising edge, 3-/4-pin mode, polarity = 0, phase = 0 | 6.5 | | ns |
| | | Output setup time, SPI_SIMO valid (1st bit) before initial SPI_SCLK rising edge, 3-/4-pin mode, polarity = 0, phase = 1 | $.5t_{c(CLK)} + 6.5$ | | |
| | | Output setup time, SPI_SIMO valid (1st bit) before initial SPI_SCLK falling edge, 3-/4-pin mode, polarity = 1, phase = 0 | 6.5 | | |
| | | Output setup time, SPI_SIMO valid (1st bit) before initial SPI_SCLK falling edge, 3-/4-pin mode, polarity = 1, phase = 1 | $.5t_{c(CLK)} + 6.5$ | | |
| 5 | $t_d(CLK-SIMO)$ | Delay time, SPI_SCLK transmit rising edge to SPI_SIMO output valid (subsequent bit driven), 3-/4-pin mode, polarity = 0, phase = 0 | -3 | 6 | ns |
| | | Delay time, SPI_SCLK transmit falling edge to SPI_SIMO output valid (subsequent bit driven), 3-/4-pin mode, polarity = 0, phase = 1 | -3 | 6 | |
| | | Delay time, SPI_SCLK transmit falling edge to SPI_SIMO output valid (subsequent bit driven), 3-/4-pin mode, polarity = 1, phase = 0 | -3 | 6 | |
| | | Delay time, SPI_SCLK transmit rising edge to SPI_SIMO output valid (subsequent bit driven), 3-/4-pin mode, polarity = 1, phase = 1 | -3 | 6 | |
| 6 | $t_{oh}(CLK-SIMO)$ | Output hold time, SPI_SIMO valid (except final bit) after receive falling edge of SPI_SCLK, 3-/4-pin mode, polarity = 0, phase = 0 | 9.5 | | ns |
| | | Output hold time, SPI_SIMO valid (except final bit) after receive rising edge of SPI_SCLK, 3-/4-pin mode, polarity = 0, phase = 1 | 9.5 | | |
| | | Output hold time, SPI_SIMO valid (except final bit) after receive rising edge of SPI_SCLK, 3-/4-pin mode, polarity = 1, phase = 0 | 9.5 | | |
| | | Output hold time, SPI_SIMO valid (except final bit) after receive falling edge of SPI_SCLK, 3-/4-pin mode, polarity = 1, phase = 1 | 9.5 | | |

(1) T = period of SPI_SCLK; For SPI0, SPI1, SPI2, and SPI3, P = period of SPI core clock (PLL1SYSCLK4). For SPI4, P = period of SPI core clock (OSCIN).

Table 6-62. General Input Timing Requirements in Master Mode

| NO. | | | MIN | MAX | UNIT |
|-----|--------------------|--|-----|-----|------|
| 7 | $t_{su}(SOMI-CLK)$ | Setup time, SPI_SOMI valid before receive falling edge of SPI_SCLK, 3-/4-pin mode, polarity = 0, phase = 0 | 4 | | ns |
| | | Setup time, SPI_SOMI valid before receive rising edge of SPI_SCLK, 3-/4-pin mode, polarity = 0, phase = 1 | 4 | | |
| | | Setup time, SPI_SOMI valid before receive rising edge of SPI_SCLK, 3-/4-pin mode, polarity = 1, phase = 0 | 4 | | |
| | | Setup time, SPI_SOMI valid before receive falling edge of SPI_SCLK, 3-/4-pin mode, polarity = 1, phase = 1 | 4 | | |
| 8 | $t_h(CLK-SOMI)$ | Hold time, SPI_SOMI valid after receive falling edge of SPI_SCLK, 3-/4-pin mode, polarity = 0, phase = 0 | 4 | | ns |
| | | Hold time, SPI_SOMI valid after receive rising edge of SPI_SCLK, 3-/4-pin mode, polarity = 0, phase = 1 | 4 | | |
| | | Hold time, SPI_SOMI valid after receive rising edge of SPI_SCLK, 3-/4-pin mode, polarity = 1, phase = 0 | 4 | | |
| | | Hold time, SPI_SOMI valid after receive falling edge of SPI_SCLK, 3-/4-pin mode, polarity = 1, phase = 1 | 4 | | |

Slave Mode — General

Table 6-63. General Switching Characteristics in Slave Mode (For 3-/4-Pin Modes)⁽¹⁾

| NO. | PARAMETER | | MIN | MAX | UNIT |
|-----|---------------------------|--|-----|------|------|
| 13 | $t_{d(\text{CLK-SOMI})}$ | Delay time, transmit rising edge of SPI_SCLK to SPI_SOMI output valid, 3-/4-pin mode, polarity = 0, phase = 0 | 2 | 16.5 | ns |
| | | Delay time, transmit falling edge of SPI_SCLK to SPI_SOMI output valid, 3-/4-pin mode, polarity = 0, phase = 1 | 2 | 16.5 | |
| | | Delay time, transmit falling edge of SPI_SCLK to SPI_SOMI output valid, 3-/4-pin mode, polarity = 1, phase = 0 | 2 | 16.5 | |
| | | Delay time, transmit rising edge of SPI_SCLK to SPI_SOMI output valid, 3-/4-pin mode, polarity = 1, phase = 1 | 2 | 16.5 | |
| 14 | $t_{oh(\text{CLK-SOMI})}$ | Output hold time, SPI_SOMI valid (except final bit) after receive falling edge of SPI_SCLK, 3-/4-pin mode, polarity = 0, phase = 0 | 4 | | ns |
| | | Output hold time, SPI_SOMI valid (except final bit) after receive rising edge of SPI_SCLK, 3-/4-pin mode, polarity = 0, phase = 1 | 4 | | |
| | | Output hold time, SPI_SOMI valid (except final bit) after receive rising edge of SPI_SCLK, 3-/4-pin mode, polarity = 1, phase = 0 | 4 | | |
| | | Output hold time, SPI_SOMI valid (except final bit) after receive falling edge of SPI_SCLK, 3-/4-pin mode, polarity = 1, phase = 1 | 4 | | |

(1) T = period of SPI_SCLK

Table 6-64. General Input Timing Requirements in Slave Mode⁽¹⁾

| NO. | | | MIN | MAX | UNIT |
|-----|--------------------|---|-------------------------|------|------|
| 9 | $t_{c(CLK)}$ | Cycle time, SPI_SCLK | greater of 2P or 25 | 256P | ns |
| 10 | $t_{w(CLKH)}$ | Pulse width, SPI_SCLK high | $.5(t_{c(CLK)}) - 1.25$ | | ns |
| 11 | $t_{w(CLKL)}$ | Pulse width, SPI_SCLK low | $.5(t_{c(CLK)}) - 1.25$ | | ns |
| 15 | $t_{su(SIMO-CLK)}$ | Setup time, SPI_SIMO data valid before receive falling edge of SPI_SCLK, 3-/4-pin mode, polarity = 0, phase = 0 | 4 | | ns |
| | | Setup time, SPI_SIMO data valid before receive rising edge of SPI_SCLK, 3-/4-pin mode, polarity = 0, phase = 1 | 4 | | |
| | | Setup time, SPI_SIMO data valid before receive rising edge of SPI_SCLK, 3-/4-pin mode, polarity = 1, phase = 0 | 4 | | |
| | | Setup time, SPI_SIMO data valid before receive falling edge of SPI_SCLK, 3-/4-pin mode, polarity = 1, phase = 1 | 4 | | |
| 16 | $t_{h(CLK-SIMO)}$ | Hold time, SPI_SIMO data valid after receive falling edge of SPI_SCLK, 3-/4-pin mode, polarity = 0, phase = 0 | 4 | | ns |
| | | Hold time, SPI_SIMO data valid after receive rising edge of SPI_SCLK, 3-/4-pin mode, polarity = 0, phase = 1 | 4 | | |
| | | Hold time, SPI_SIMO data valid after receive rising edge of SPI_SCLK, 3-/4-pin mode, polarity = 1, phase = 0 | 4 | | |
| | | Hold time, SPI_SIMO data valid after receive falling edge of SPI_SCLK, 3-/4-pin mode, polarity = 1, phase = 1 | 4 | | |

(1) T = period of SPI_SCLK; For SPI0, SPI1, SPI2, and SPI3, P = period of SPI core clock (PLL1SYSCLK4). For SPI4, P = period of SPI core clock (OSCIN).

Master Mode — Additional**Table 6-65. Additional Output Switching Characteristics of 4-Pin Chip-Select Option in Master Mode**

| NO. | PARAMETER | MIN | MAX | UNIT |
|-----|---------------------------------------|--|--|------|
| 19 | $t_{\text{osu}}(\text{CS-CLK})^{(1)}$ | Output setup time, $\overline{\text{SPI_SCS}}[n]$ active before first SPI_SCLK rising edge, polarity = 0, phase = 0, SPIDELAY.C2TDELAY = 0 | $(\text{C2TDELAY}+2)*\text{P}+6.5$ | ns |
| | | Output setup time, $\overline{\text{SPI_SCS}}[n]$ active before first SPI_SCLK rising edge, polarity = 0, phase = 1, SPIDELAY.C2TDELAY = 0 | $(\text{C2TDELAY}+2)*\text{P} + .5\text{tc} + 6.5$ | |
| | | Output setup time, $\overline{\text{SPI_SCS}}[n]$ active before first SPI_SCLK falling edge, polarity = 1, phase = 0, SPIDELAY.C2TDELAY = 0 | $(\text{C2TDELAY}+2)*\text{P} + 6.5$ | |
| | | Output setup time, $\overline{\text{SPI_SCS}}[n]$ active before first SPI_SCLK falling edge, polarity = 1, phase = 1, SPIDELAY.C2TDELAY = 0 | $(\text{C2TDELAY}+2)*\text{P} + .5\text{tc} + 6.5$ | |
| 20 | $t_{\text{d}}(\text{CLK-CS})$ | Delay time, final SPI_SCLK falling edge to master deasserting $\overline{\text{SPI_SCS}}[n]$, polarity = 0, phase = 0, SPIDELAY.T2CDELAY = 0, SPIDAT1.CSHOLD not enabled | $(\text{T2CDELAY}+1)*\text{P} - 3$ | ns |
| | | Delay time, final SPI_SCLK falling edge to master deasserting $\overline{\text{SPI_SCS}}[n]$, polarity = 0, phase = 1, SPIDELAY.T2CDELAY = 0, SPIDAT1.CSHOLD not enabled | $(\text{T2CDELAY}+1)*\text{P} - 3$ | |
| | | Delay time, final SPI_SCLK rising edge to master deasserting $\overline{\text{SPI_SCS}}[n]$, polarity = 1, phase = 0, SPIDELAY.T2CDELAY = 0, SPIDAT1.CSHOLD not enabled | $(\text{T2CDELAY}+1)*\text{P} - 3$ | |
| | | Delay time, final SPI_SCLK rising edge to master deasserting $\overline{\text{SPI_SCS}}[n]$, polarity = 1, phase = 1, SPIDELAY.T2CDELAY = 0, SPIDAT1.CSHOLD not enabled | $(\text{T2CDELAY}+1)*\text{P} - 3$ | |

(1) The Master SPI is ready with new data before $\overline{\text{SPI_SCS}}[n]$ assertion.

Slave Mode — Additional**Table 6-66. Additional Output Switching Characteristics of 4-Pin Chip-Select Option in Slave Mode⁽¹⁾**

| NO. | PARAMETER | MIN | MAX | UNIT |
|-----|--|-----|--------------------|------|
| 27 | $t_{\text{d}}(\text{CSL-SOMI})$ Delay time, master asserting $\overline{\text{SPI_SCS}}[n]$ to slave driving SPI_SOMI data valid | | $2\text{P} + 16.5$ | ns |
| 28 | $t_{\text{dis}}(\text{CSH-SOMI})$ Disable time, master deasserting $\overline{\text{SPI_SCS}}[n]$ to slave driving SPI_SOMI high impedance | | $2\text{P} + 16.5$ | ns |

(1) T = period of SPI_SCLK; For SPI0, SPI1, SPI2, and SPI3, P = period of SPI core clock (PLL1SYSCLK4). For SPI4, P = period of SPI core clock (OSCIN).

Table 6-67. Additional Input Timing Requirements of 4-Pin Chip-Select Option in Slave Mode⁽¹⁾

| NO. | | | MIN | MAX | UNIT |
|-----|-------------------|--|-----------------------------|-----|------|
| 25 | $t_{su(CSL-CLK)}$ | Setup time, $\overline{SPI_SCS[n]}$ asserted at slave to first SPI_SCLK edge (rising or falling) at slave | 2P + 25 | | ns |
| 26 | $t_{d(CLK-CSH)}$ | Delay time, final falling edge SPI_SCLK to $\overline{SPI_SCS[n]}$ deasserted, polarity = 0, phase = 0 | .5($t_{c(CLK)}$) + 2P - 4 | | ns |
| | | Delay time, final falling edge SPI_SCLK to $\overline{SPI_SCS[n]}$ deasserted, polarity = 0, phase = 1 | 2P - 4 | | |
| | | Delay time, final rising edge SPI_SCLK to $\overline{SPI_SCS[n]}$ deasserted, polarity = 1, phase = 0 | .5($t_{c(CLK)}$) + 2P - 4 | | |
| | | Delay time, final rising edge SPI_SCLK to $\overline{SPI_SCS[n]}$ deasserted, polarity = 1, phase = 1 | 2P - 4 | | |

(1) T = period of SPI_SCLK; For SPI0, SPI1, SPI2, and SPI3, P = period of SPI core clock (PLL1SYSCLK4). For SPI4, P = period of SPI core clock (OSCIN).

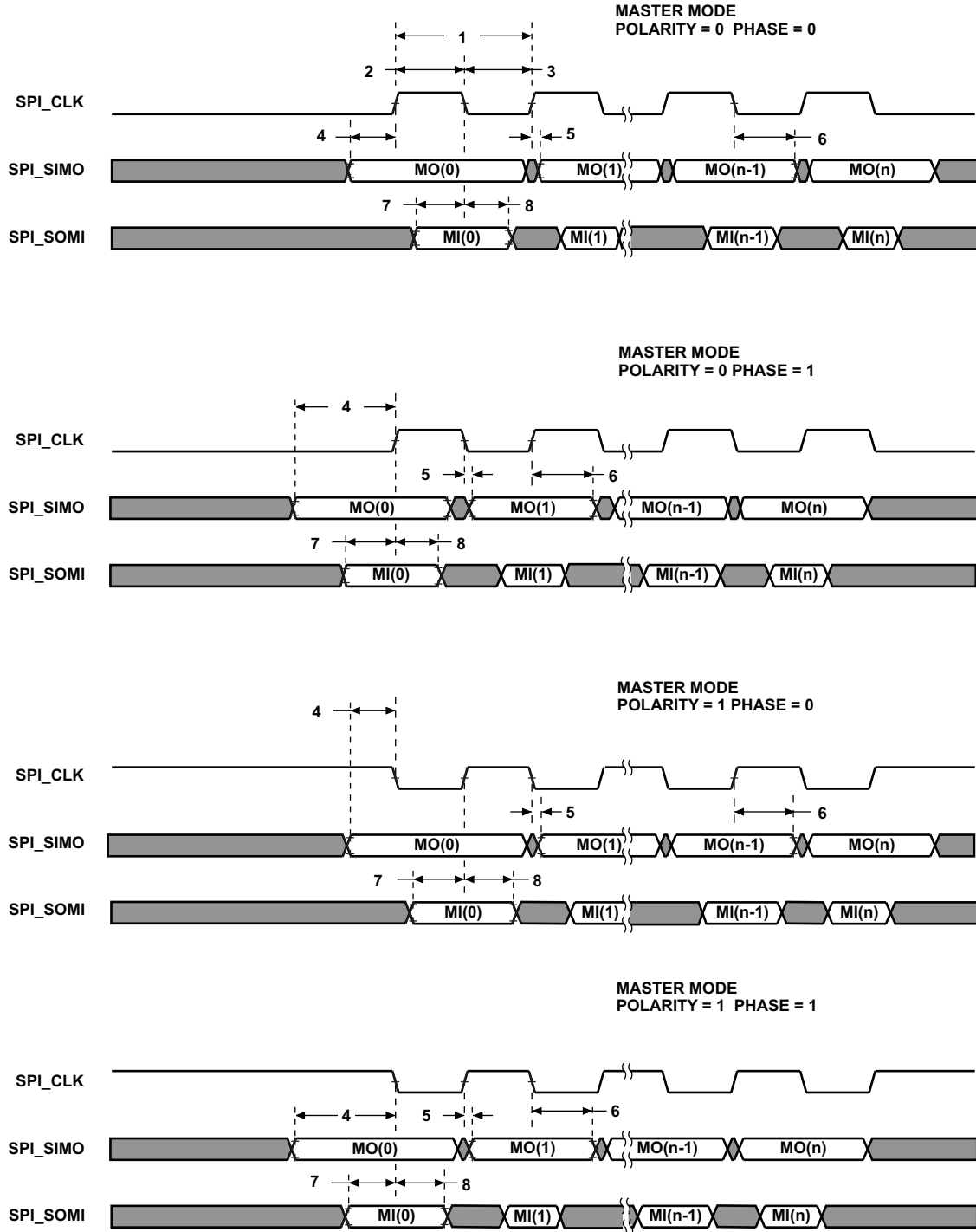
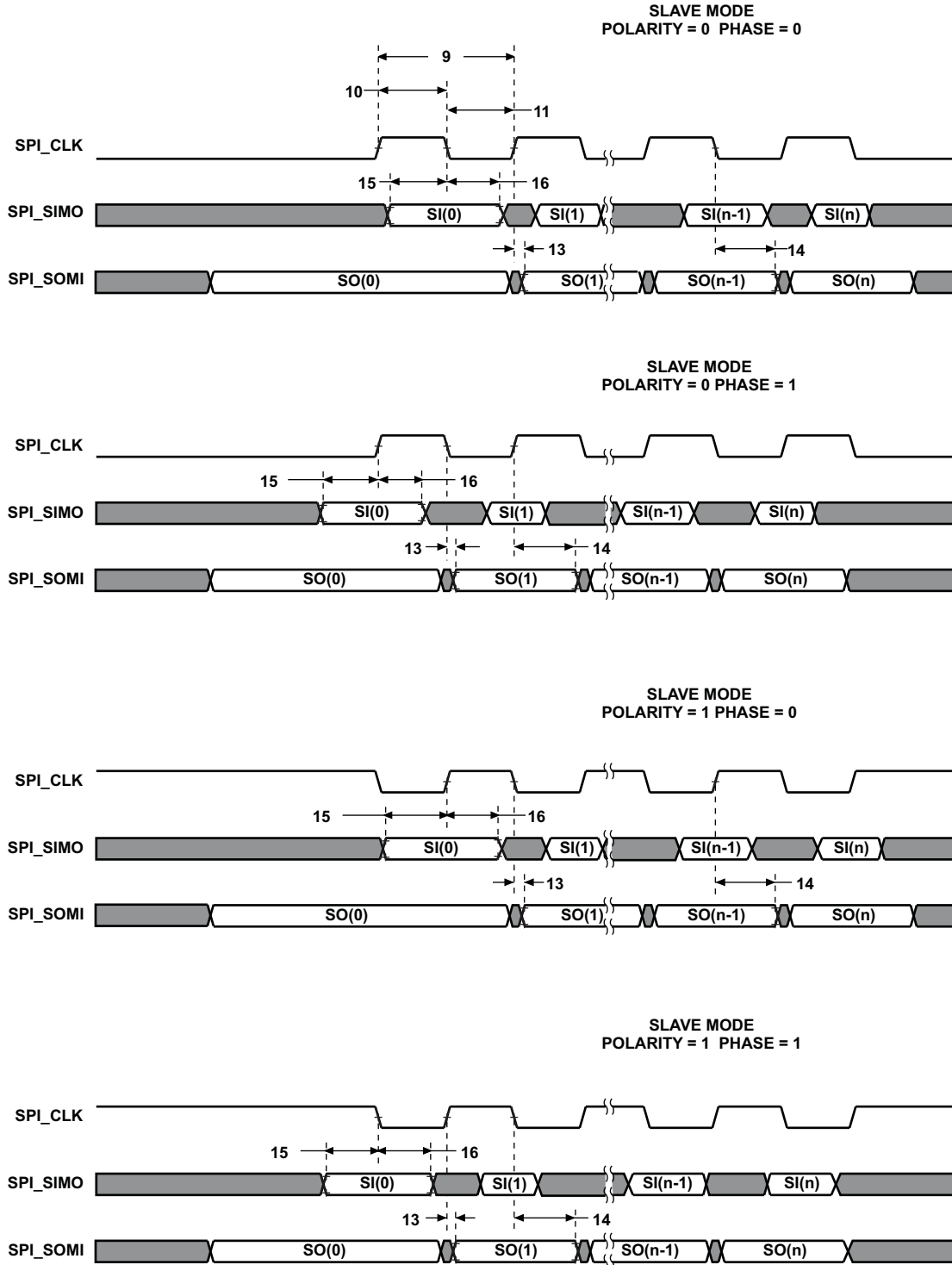


Figure 6-43. SPI Timings—Master Mode



A. The first bit of transmit data becomes valid on the SPI_SOMI pin when software writes to the SPIDAT1 register. For more details, see the *TMS320DM36x DMSoC Serial Peripheral Interface User's Guide* (literature number SPRUFH1).

Figure 6-44. SPI Timings—Slave Mode

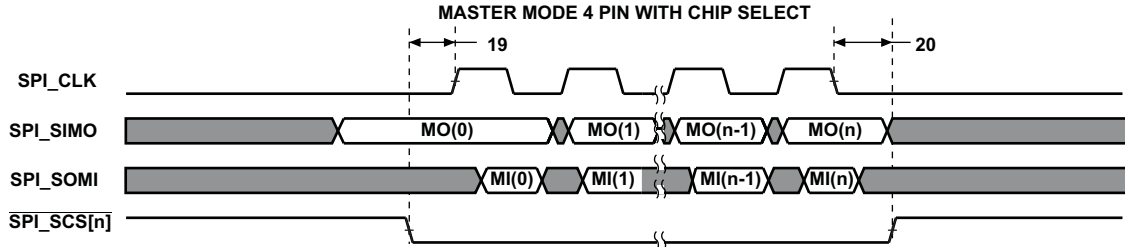


Figure 6-45. SPI Timings—Master Mode (4-Pin)

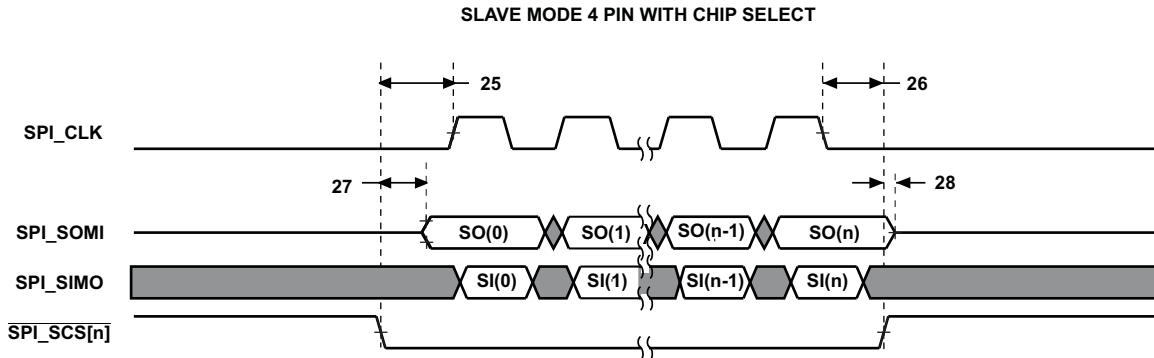


Figure 6-46. SPI Timings—Slave Mode (4-Pin)

6.16 Inter-Integrated Circuit (I2C)

The inter-integrated circuit (I2C) module provides an interface between the DM368 and other devices compliant with Philips Semiconductors Inter-IC bus (I²C-bus) specification version 2.1 and connected by way of an I²C-bus. External components attached to this 2-wire serial bus can transmit/receive up to 8-bit data to/from the device through the I2C module.

The I2C port supports:

- Compatible with Philips I2C Specification Revision 2.1 (January 2000)
- Fast Mode up to 400 Kbps (no fail-safe I/O buffers)
- Noise Filter to Remove Noise 50 ns or less
- Seven- and Ten-Bit Device Addressing Modes
- Master (Transmit/Receive) and Slave (Transmit/Receive) Functionality
- Events: DMA, Interrupt, or Polling

For more detailed information on the I2C peripheral, see the *Documentation Support* section for the device Inter-Integrated Circuit (I2C) Module Reference Guide.

6.16.1 I2C Peripheral Register Description(s)

[Table 6-68](#) lists the I2C registers, their corresponding acronyms, and the device memory locations (offsets).

Table 6-68. Inter-Integrated Circuit (I2C) Registers

| Offset | Acronym | Register Description |
|--------|---------|--------------------------------------|
| 0h | ICOAR | I2C Own Address Register |
| 4h | ICIMR | I2C Interrupt Mask Register |
| 8h | ICSTR | I2C Interrupt Status Register |
| Ch | ICCLKL | I2C Clock Low-Time Divider Register |
| 10h | ICCLKH | I2C Clock High-Time Divider Register |
| 14h | ICCNT | I2C Data Count Register |
| 18h | ICDRR | I2C Data Receive Register |
| 1Ch | ICSAR | I2C Slave Address Register |
| 20h | ICDXR | I2C Data Transmit Register |
| 24h | ICMDR | I2C Mode Register |
| 28h | ICIVR | I2C Interrupt Vector Register |
| 2Ch | ICEMDR | I2C Extended Mode Register |
| 30h | ICPSC | I2C Prescaler Register |
| 34h | REVID1 | I2C Revision ID Register 1 |
| 38h | REVID2 | I2C Revision ID Register 2 |
| 48h | ICPFUNC | I2C Pin Function Register |
| 4ch | ICPDIR | I2C Pin Direction Register |
| 50h | ICPDIN | I2C Pin Data In Register |
| 54h | ICPDOUT | I2C Pin Data Out Register |
| 58h | ICPDSET | I2C Pin Data Set Register |
| 5ch | ICPDCLR | I2C Pin Data Clear register |

6.16.2 I2C Electrical Data/Timing

6.16.2.1 Inter-Integrated Circuits (I2C) Timing

Table 6-69. Timing Requirements for I2C Timings⁽¹⁾ (see Figure 6-47)

| NO. | | | DEVICE | | | | UNIT |
|-----|-------------------------------|---|---------------|------|---------------------------------------|-----|---------|
| | | | STANDARD MODE | | FAST MODE | | |
| | | | MIN | MAX | MIN | MAX | |
| 1 | $t_{c(SCL)}$ | Cycle time, SCL | 10 | | 2.5 | | μs |
| 2 | $t_{su(SCLH-SDAL)}$ | Setup time, SCL high before SDA low (for a repeated START condition) | 4.7 | | 0.6 | | μs |
| 3 | $t_{h(SCLL-SDAL)}$ | Hold time, SCL low after SDA low (for a START and a repeated START condition) | 4 | | 0.6 | | μs |
| 4 | $t_{w(SCLL)}$ | Pulse duration, SCL low | 4.7 | | 1.3 | | μs |
| 5 | $t_{w(SCLH)}$ | Pulse duration, SCL high | 4 | | 0.6 | | μs |
| 6 | $t_{su(SDAV-SCLH)}$ | Setup time, SDA valid before SCL high | 250 | | 100 | | ns |
| 7 | $t_{h(SDA-SCLL)}$ | Hold time, SDA valid after SCL low (For I ² C bus™ devices) | 0 | 3.45 | 0 | 0.9 | μs |
| 8 | $t_{w(SDAH)}$ | Pulse duration, SDA high between STOP and START conditions | 4.7 | | 1.3 | | μs |
| 9 | $t_{r(SDA)}$ | Rise time, SDA | 1000 | | 20 + 0.1C _b ⁽¹⁾ | 300 | ns |
| 10 | $t_{r(SCL)}$ | Rise time, SCL | 1000 | | 20 + 0.1C _b ⁽¹⁾ | 300 | ns |
| 11 | $t_{f(SDA)}$ | Fall time, SDA | 300 | | 20 + 0.1C _b ⁽¹⁾ | 300 | ns |
| 12 | $t_{f(SCL)}$ | Fall time, SCL | 300 | | 20 + 0.1C _b ⁽¹⁾ | 300 | ns |
| 13 | $t_{su(SCLH-SDAH)}$ | Setup time, SCL high before SDA high (for STOP condition) | 4 | | 0.6 | | μs |
| 14 | $t_{w(SP)}$ | Pulse duration, spike (must be suppressed) | | | | 50 | ns |
| 15 | C _b ⁽²⁾ | Capacitive load for each bus line | 400 | | 400 | | pF |

- (1) The I2C pins SDA and SCL do not feature fail-safe I/O buffers. These pins could potentially draw current when the device is powered down.
- (2) C_b = total capacitance of one bus line in pF. If mixed with HS-mode devices, faster fall-times are allowed.

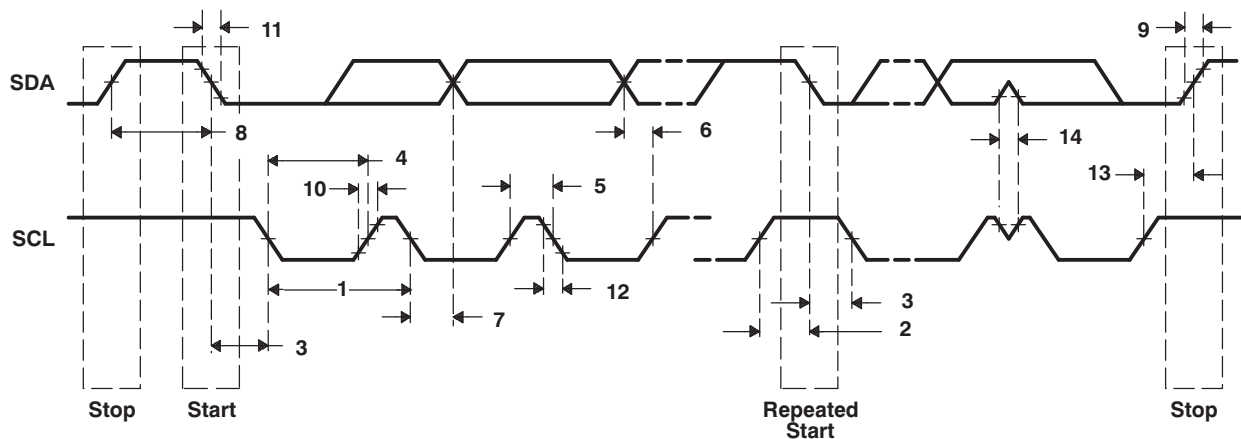


Figure 6-47. I2C Receive Timings

Table 6-70. Switching Characteristics for I2C Timings⁽¹⁾ (see Figure 6-48)

| NO. | PARAMETER | DEVICE | | | | UNIT |
|-----|--|---------------|-----|-----------|-----|---------|
| | | STANDARD MODE | | FAST MODE | | |
| | | MIN | MAX | MIN | MAX | |
| 16 | $t_{c(SCL)}$ Cycle time, SCL | 10 | | 2.5 | | μ s |
| 17 | $t_{d(SCLH-SDAL)}$ Delay time, SCL high to SDA low (for a repeated START condition) | 4.7 | | 0.6 | | μ s |
| 18 | $t_{d(SDAL-SCLL)}$ Delay time, SDA low to SCL low (for a START and a repeated START condition) | 4 | | 0.6 | | μ s |
| 19 | $t_{w(SCLL)}$ Pulse duration, SCL low | 4.7 | | 1.3 | | μ s |
| 20 | $t_{w(SCLH)}$ Pulse duration, SCL high | 4 | | 0.6 | | μ s |
| 21 | $t_{d(SDAV-SCLH)}$ Delay time, SDA valid to SCL high | 250 | | 100 | | ns |
| 22 | $t_{v(SCLL-SDAV)}$ Valid time, SDA valid after SCL low (For I2C devices) | 0 | | 0 | 0.9 | μ s |
| 23 | $t_{w(SDAH)}$ Pulse duration, SDA high between STOP and START conditions | 4.7 | | 1.3 | | μ s |
| 28 | $t_{d(SCLH-SDAH)}$ Delay time, SCL high to SDA high (for STOP condition) | 4 | | 0.6 | | μ s |
| 29 | C_p Capacitance for each I2C pin | | 10 | | 10 | pF |

(1) C_b = total capacitance of one bus line in pF. If mixed with HS-mode devices, faster fall-times are allowed.

CAUTION

The I²C pins use a standard ± 4 -mA LVCMOS buffer, not the slow I/OP buffer defined in the I²C specification. Series resistors may be necessary to reduce noise at the system level.

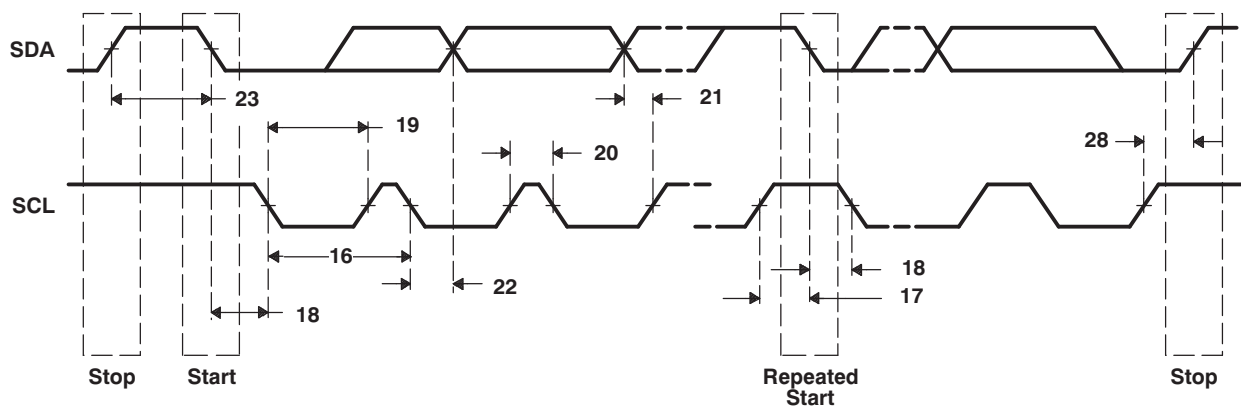


Figure 6-48. I2C Transmit Timings

6.17 Multi-Channel Buffered Serial Port (McBSP)

The primary use for the Multi-Channel Buffered Serial Port (McBSP) is for audio interface purposes. The primary audio modes that are supported by the McBSP are the AC97 and IIS modes. In addition to the primary audio modes, the McBSP supports general serial port receive and transmit operation, but is not intended to be used as a high-speed interface. The McBSP supports the following features:

- Full-duplex communication
- Double-buffered data registers, which allow a continuous data stream
- Independent framing and clocking for receive and transmit
- External shift clock generation or an internal programmable frequency shift clock
- Double-buffered data registers, which allow a continuous data stream
- Independent framing and clocking for receive and transmit
- Direct interface to industry-standard codecs, analog interface chips (AICs), and other serially connected analog-to-digital (A/D) and digital-to-analog (D/A) devices
- Direct interface to AC97 compliant devices (the necessary multiphase frame synchronization capability is provided)
- Direct interface to IIS compliant devices
- Direct interface to SPI protocol in master mode only
- A wide selection of data sizes, including 8, 12, 16, 20, 24, and 32 bits
- μ -Law and A-Law companding
- 8-bit data transfers with the option of LSB or MSB first
- Programmable polarity for both frame synchronization and data clocks
- Highly programmable internal clock and frame generation
- Direct interface to T1/E1 Framers
- Multi-channel transmit and receive of up to 128 channels

For more detailed information on the McBSP peripheral, see the *Documentation Support* section for the Multi-Channel Buffered Serial Port (McBSP) Reference Guide.

6.17.1 McBSP Peripheral Register Description(s)

Table 6-71 lists the McBSP registers, their corresponding acronyms, and the device memory locations (offsets).

Table 6-71. McBSP Registers

| Offset | Acronym | Register Name |
|--------|-----------------------------------|---|
| - | RBR ⁽¹⁾ | Receive buffer register |
| - | RSR ⁽¹⁾ | Receive shift register |
| - | XSR ⁽¹⁾ | Transmit shift register |
| 00h | DRR ⁽²⁾ ⁽³⁾ | Data receive register |
| 04h | DXR ⁽³⁾ | Data transmit register |
| 08h | SPCR | Serial port control register |
| 0Ch | RCR | Receive control register |
| 10h | XCR | Transmit control register |
| 14h | SRGR | Sample rate generator register |
| 18h | MCR | Multichannel Control Register |
| 1Ch | RCERE0 | Enhanced Receive Channel Enable Register 0 Partition A/B |

(1) The RBR, RSR, and XSR are not directly accessible via the CPUs or the EDMA controller.

(2) The CPUs and EDMA controller can only read this register; they cannot write to it.

(3) The DRR and DXR are accessible via the CPUs or the EDMA controller.

Table 6-71. McBSP Registers (continued)

| Offset | Acronym | Register Name |
|--------|---------|---|
| 20h | XCERE0 | Enhanced Transmit Channel Enable Register 0 Partition A/B |
| 24h | PCR | Pin control register |
| 28h | RCERE1 | Enhanced Receive Channel Enable Register 1 Partition C/D |
| 2Ch | XCERE1 | Enhanced Transmit Channel Enable Register 1 Partition C/D |
| 30h | RCERE2 | Enhanced Receive Channel Enable Register 2 Partition E/F |
| 34h | XCERE2 | Enhanced Transmit Channel Enable Register 2 Partition E/F |
| 38h | RCERE3 | Enhanced Receive Channel Enable Register 3 Partition G/H |
| 3Ch | XCERE3 | Enhanced Transmit Channel Enable Register 3 Partition G/H |

6.17.2 McBSP Electrical Data/Timing

6.17.2.1 Multi-Channel Buffered Serial Port (McBSP) Timing

Table 6-72. Timing Requirements for McBSP^{(1) (2)} (see Figure 6-49)

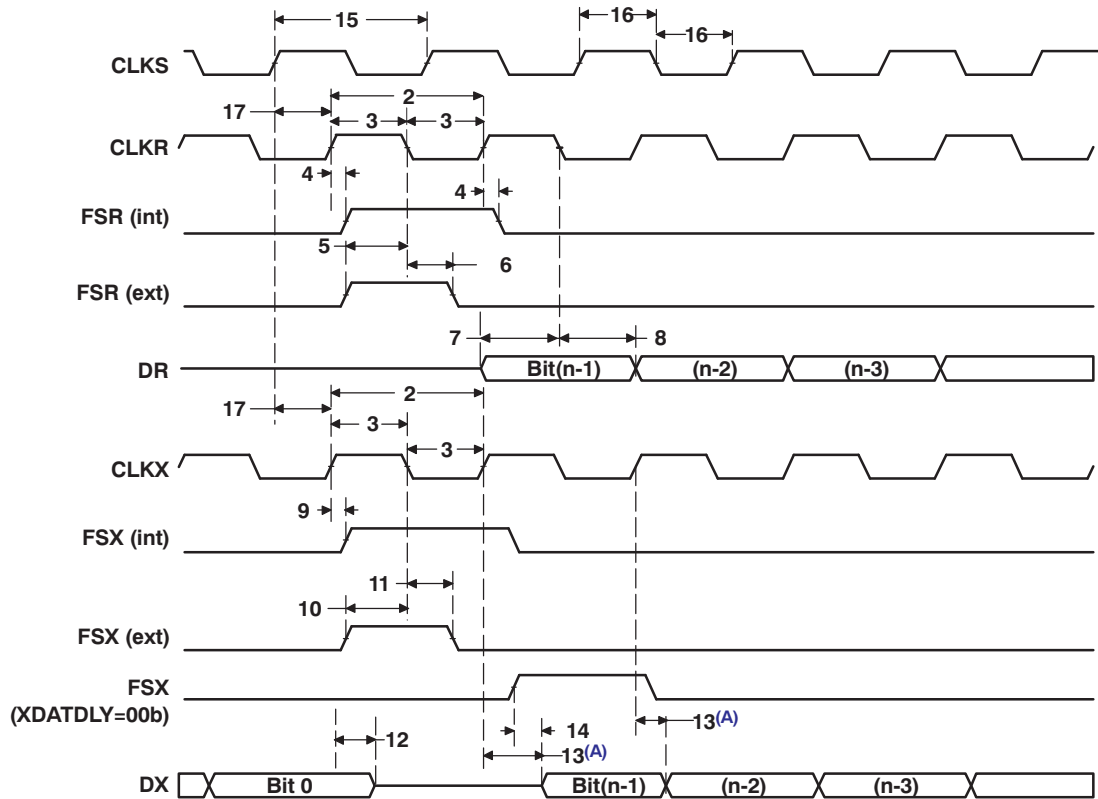
| NO. | | | | DEVICE | | UNIT |
|-------------------|---------------------------|---|----------|------------|-----|------|
| | | | | MIN | MAX | |
| 15 ⁽³⁾ | $t_c(\text{CLKS})$ | Cycle time, CLKS | CLKS ext | 38.5 or 2P | | ns |
| 16 ⁽⁴⁾ | $t_w(\text{CLKS})$ | Pulse duration, CLKR/X high or CLKR/X low | CLKS ext | 19.25 or P | | ns |
| 5 | $t_{su}(\text{FRH-CKRL})$ | Setup time, external FSR high before CLKR low | CLKR int | 21 | | ns |
| | | | CLKR ext | 6 | | |
| 6 | $t_h(\text{CKRL-FRH})$ | Hold time, external FSR high after CLKR low | CLKR int | 0 | | ns |
| | | | CLKR ext | 6 | | |
| 7 | $t_{su}(\text{DRV-CKRL})$ | Setup time, DR valid before CLKR low | CLKR int | 21 | | ns |
| | | | CLKR ext | 6 | | |
| 8 | $t_h(\text{CKRL-DRV})$ | Hold time, DR valid after CLKR low | CLKR int | 0 | | ns |
| | | | CLKR ext | 6 | | |
| 10 | $t_{su}(\text{FXH-CKXL})$ | Setup time, external FSX high before CLKX low | CLKX int | 21 | | ns |
| | | | CLKX ext | 6 | | |
| 11 | $t_h(\text{CKXL-FXH})$ | Hold time, external FSX high after CLKX low | CLKX int | 0 | | ns |
| | | | CLKX ext | 10 | | |

- (1) CLKRP = CLKXP = FSRP = FSXP = 0. If polarity of any of the signals is inverted, then the timing references of that signal are also inverted.
- (2) $P = (1/\text{SYSCLK4})$, where SYSCLK4 is an output clock of PLLC1 (see Section 3.3).
- (3) Use whichever value is greater. Minimum CLKR/X cycle times must be met, even when CLKR/X is generated by an internal clock source. The minimum CLKR/X cycle times are based on internal logic speed; the maximum usable speed may be lower due to EDMA limitations and AC timing requirements.
- (4) This parameter applies to the maximum McBSP frequency. Operate serial clocks (CLKR/X) in the reasonable range of 40/60 duty cycle.

Table 6-73. Switching Characteristics Over Recommended Operating Conditions for McBSP⁽¹⁾ (2) (3)
(see Figure 6-49)

| NO. | PARAMETER | | DEVICE | | UNIT | | |
|----------------------|----------------------|--|------------|--------------------|-----------------|----|----|
| | | | MIN | MAX | | | |
| 2 ⁽⁴⁾ (5) | $t_{c(CKRX)}$ | Cycle time, CLKR/X | CLKR/X int | 38.5 or 2P | | ns | |
| | | | CLKR/X ext | | | | |
| 17 | $t_d(CLKS-CLKRX)$ | Delay time, CLKS high to internal CLKR/X | CLKR/X int | 1 | 24 | | |
| 3 ⁽⁶⁾ | $t_w(CKRX)$ | Pulse duration, CLKR/X high or CLKR/X low | CLKR/X int | 19.25 - 1 or P - 1 | | ns | |
| | | | CLKR/X ext | 19.25 or P | | | |
| 4 | $t_d(CKRH-FRV)$ | Delay time, CLKR high to internal FSR valid | CLKR int | -4 | 8 | ns | |
| | | | CLKR ext | 3 | 25 | | |
| 9 | $t_d(CKXH-FXV)$ | Delay time, CLKX high to internal FSX valid | CLKX int | -4 | 8 | ns | |
| | | | CLKX ext | 3 | 25 | | |
| 12 | $t_{dis}(CKXH-DXHZ)$ | Disable time, DX high impedance following last data bit from CLKX high | CLKX int | | | 12 | ns |
| | | | CLKX ext | | | 25 | ns |
| 13 | $t_d(CKXH-DXV)$ | Delay time, CLKX high to DX valid | CLKX int | $-5 + D1^{(7)}$ | $12 + D2^{(7)}$ | ns | |
| | | | CLKX ext | $3 + D1^{(7)}$ | $25 + D2^{(7)}$ | ns | |
| 14 | $t_d(FXH-DXV)$ | Delay time, FSX high to DX valid ONLY applies when in data delay 0 (XDATDLY = 00b) mode | FSX int | $0 + D1^{(8)}$ | $14 + D2^{(8)}$ | ns | |
| | | | FSX ext | $0 + D1^{(8)}$ | $25 + D2^{(8)}$ | | |

- (1) CLKRP = CLKXP = FSRP = FSXP = 0. If polarity of any of the signals is inverted, then the timing references of that signal are also inverted.
- (2) Minimum delay times also represent minimum output hold times.
- (3) $P = (1/SYSCLK4)$, where SYSCLK4 is an output clock of PLLC1 (see Section 3.3).
- (4) Use whichever value is greater. Minimum CLKR/X cycle times must be met, even when CLKR/X is generated by an internal clock source.
- (5) The minimum CLKR/X cycle times are based on internal logic speed; the maximum usable speed may be lower due to EDMA limitations and AC timing requirements. Use whichever value is greater.
- (6) C = H or L
S = sample rate generator input clock = P if CLKSM = 1 (P = SYSCLK3 period)
S = sample rate generator input clock = P_clks if CLKSM = 0 (P_clks = CLKS period)
H = CLKX high pulse width = $(CLKGDV/2 + 1) * S$ if CLKGDV is even
H = $(CLKGDV + 1)/2 * S$ if CLKGDV is odd
L = CLKX low pulse width = $(CLKGDV/2) * S$ if CLKGDV is even
L = $(CLKGDV + 1)/2 * S$ if CLKGDV is odd
CLKGDV should be set appropriately to ensure the McBSP bit rate does not exceed the maximum limit.
- (7) Extra delay from CLKX high to DX valid applies only to the first data bit of a device, if and only if DXENA = 1 in SPCR.
If DXENA = 0, then D1 = D2 = 0
If DXENA = 1, then D1 = 6P, D2 = 12P
- (8) Extra delay from FSX high to DX valid applies only to the first data bit of a device, if and only if DXENA = 1 in SPCR.
If DXENA = 0, then D1 = D2 = 0
If DXENA = 1, then D1 = 6P, D2 = 12P



A. Parameter No. 13 applies to the first data bit only when XDATDLY ≠ 0.

Figure 6-49. McBSP Timing

Table 6-74. McBSP as SPI Timing Requirements

CLKSTP = 10b, CLKXP = 0 (see Figure 6-50)

| NO. | PARAMETER | DESCRIPTION | MASTER | | UNIT |
|-----|--------------------|--------------------------------------|--------|-----|------|
| | | | MIN | MAX | |
| M30 | $t_{su}(DRV-CKXL)$ | Setup time, DR valid before CLKX low | 16 | | ns |
| M31 | $t_h(CKXL-DRV)$ | Hold time, DR valid after CLKX low | 0 | | ns |

Table 6-75. McBSP as SPI Switching Characteristics^{(1) (2)}

CLKSTP = 10b, CLKXP = 0 (see Figure 6-50)

| NO. | PARAMETER | DESCRIPTION | MASTER | | UNIT |
|-----|----------------------|---|------------|-----------|------|
| | | | MIN | MAX | |
| M33 | $t_c(CKX)$ | Cycle time, CLKX | 38.5 or 2P | | ns |
| M24 | $t_d(CKXL-FXH)$ | Delay time, CLKX low to FSX high ⁽²⁾ | CLKXP - 2 | CLKXP + 4 | ns |
| M25 | $t_d(FXL-CKXH)$ | Delay time, FSX low to CLKX high ⁽³⁾ | CLKXL - 2 | CLKXL + 2 | ns |
| M26 | $t_d(CKXH-DXV)$ | Delay time, CLKX high to DX valid | -2 | 6 | ns |
| M27 | $t_{dis}(CKXL-DXHZ)$ | Disable time, DX high impedance following last data bit from CLKX low | CLKXL - 3 | CLKXL + 8 | ns |

(1) $P = (1/SYSCLK4)$, where SYSCLK4 is an output clock of PLLC1 (see Section 3.3).

(2) $T = CLKX \text{ period} = (1 + CLKGDV) \times 2P$

$L_1 = CLKX \text{ low pulse width} = T/2$ when CLKGDV is odd or zero and $= (CLKGDV/2) \times 2P$ when CLKGDV is even.

(3) FSX should be low before the rising edge of clock to enable slave devices and then begin a SPI transfer at the rising edge of the master clock (CLKX).

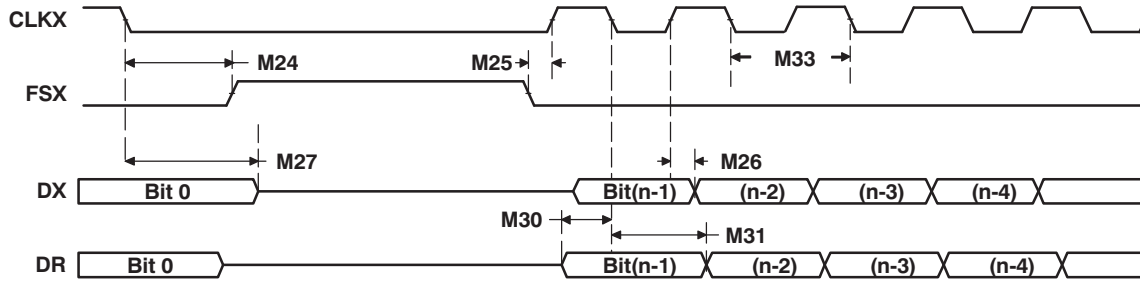


Figure 6-50. McBSP as SPI: CLKSTP = 10b, CLKXP = 0

Table 6-76. McBSP as SPI Timing Requirements

CLKSTP = 11b, CLKXP = 0

| NO. | | | MASTER | | UNIT |
|-----|--------------------|---------------------------------------|--------|-----|------|
| | | | MIN | MAX | |
| M39 | $t_{su}(DRV-CKXH)$ | Setup time, DR valid before CLKX high | 16 | | ns |
| M40 | $t_h(CKXH-DRV)$ | Hold time, DR valid after CLKX high | 1 | | ns |

Table 6-77. McBSP as SPI Switching Characteristics^{(1) (2)}

CLKSTP = 11b, CLKXP = 0 (see Figure 6-51)

| NO. | PARAMETER | MASTER | | UNIT |
|-----|----------------------|------------------|------------|------|
| | | MIN | MAX | |
| M42 | $t_c(CKX)$ | Cycle time, CLKX | | ns |
| M34 | $t_d(CKXL-FXH)$ | CLKXP - 2 | CLKXP + 4 | ns |
| M35 | $t_d(FXL-CKXH)$ | CLKXP - 2 | CLKXP + 2 | ns |
| M36 | $t_d(CKXL-DXV)$ | -2 | 6 | ns |
| M37 | $t_{dis}(CKXL-DXHZ)$ | -3 | 8 | ns |
| M38 | $t_d(FXL-DXV)$ | CLKXH - 2 | CLKXH + 10 | ns |

- (1) $P = (1/SYSCLK4)$, where SYSCLK4 is an output clock of PLLC1 (see Section 3.3).
- (2) $T = CLKX \text{ period} = (1 + CLKGDV) \times 2P$
 $L_1 = CLKX \text{ low pulse width} = T/2$ when CLKGDV is odd or zero and $= (CLKGDV/2) \times 2P$ when CLKGDV is even
 $H_1 = CLKX \text{ high pulse width} = T/2$ when CLKGDV is odd or zero and $= (CLKGDV/2 + 1) \times 2P$ when CLKGDV is even
- (3) $FSRP = FSXP = 1$. As a SPI master, FSX is inverted to provide active-low slave-enable output.
 $CLKXM = FSXM = 1$, $CLKRM = FSRM = 0$ for master McBSP
- (4) FSX should be low before the rising edge of clock to enable slave devices and then begin a SPI transfer at the rising edge of the master clock (CLKX).

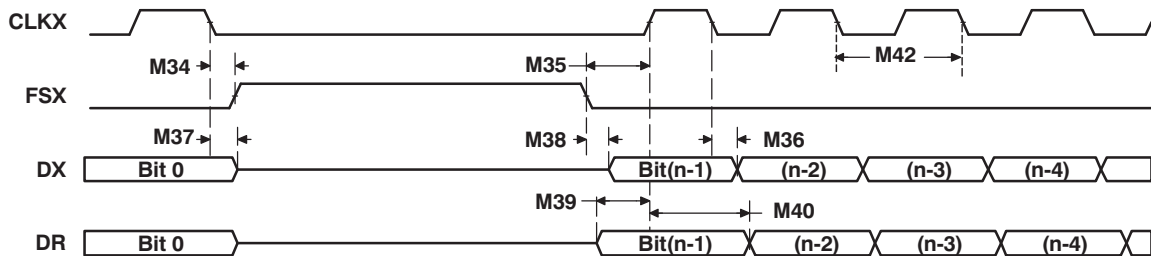


Figure 6-51. McBSP as SPI: CLKSTP = 11b, CLKXP = 0

Table 6-78. McBSP as SPI Timing Requirements

CLKSTP = 10b, CLKXP = 1 (see Figure 6-52)

| NO. | | | MASTER | | UNIT |
|-----|--------------------|---------------------------------------|--------|-----|------|
| | | | MIN | MAX | |
| M49 | $t_{su(DRV-CKXH)}$ | Setup time, DR valid before CLKX high | 16 | | ns |
| M50 | $t_h(CKXH-DRV)$ | Hold time, DR valid after CLKX high | 0 | | ns |

Table 6-79. McBSP as SPI Switching Characteristics^{(1) (2)}

CLKSTP = 10b, CLKXP = 1 (see Figure 6-52)

| NO. | PARAMETER | | MASTER | | UNIT |
|-----|----------------------|--|------------|-----------|------|
| | | | MIN | MAX | |
| M52 | $t_c(CKX)$ | Cycle time, CLKX | 38.5 or 2P | | ns |
| M43 | $t_d(CKXH-FXH)$ | Delay time, CLKX high to FSX high ⁽³⁾ | CLKXP - 2 | CLKXP + 4 | ns |
| M44 | $t_d(FXL-CKXL)$ | Delay time, FSX low to CLKX low ⁽⁴⁾ | CLKXH - 2 | CLKXH + 2 | ns |
| M45 | $t_d(CKXL-DXV)$ | Delay time, CLKX low to DX valid | -2 | 6 | ns |
| M46 | $t_{dis}(CKXH-DXHZ)$ | Disable time, DX high impedance following last data bit from CLKX high | CLKXH - 3 | CLKXL + 8 | ns |

- (1) $P = (1/SYSCLK4)$, where SYSCLK4 is an output clock of PLLC1 (see Section 3.3).
- (2) $T = CLKX \text{ period} = (1 + CLKGDV) \times 2P$
 $H_1 = CLKX \text{ high pulse width} = T/2$ when CLKGDV is odd or zero and $= (CLKGDV/2 + 1) \times 2P$ when CLKGDV is even
- (3) $FSRP = FSXP = 1$. As a SPI master, FSX is inverted to provide active-low slave-enable output.
 $CLKXM = FSXM = 1$, $CLKRM = FSRM = 0$ for master McBSP
- (4) FSX should be low before the rising edge of clock to enable slave devices and then begin a SPI transfer at the rising edge of the master clock (CLKX).

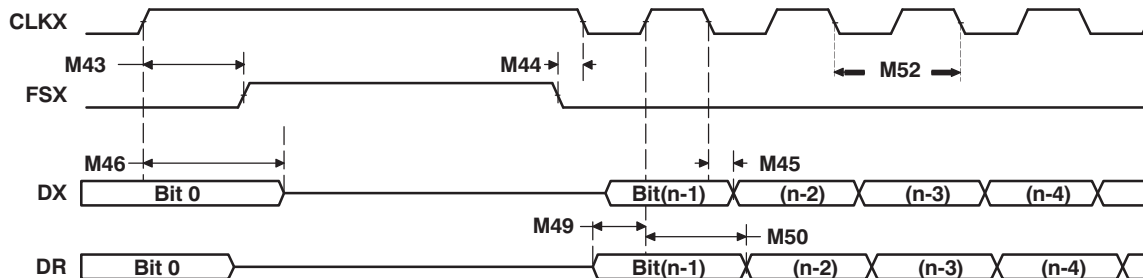


Figure 6-52. McBSP as SPI: CLKSTP = 10b, CLKXP = 1

Table 6-80. McBSP as SPI Timing Requirements

CLKSTP = 11b, CLKXP = 1 (see Figure 6-53)

| NO. | | | MASTER | | UNIT |
|-----|--------------------|--------------------------------------|--------|-----|------|
| | | | MIN | MAX | |
| M58 | $t_{su(DRV-CKXL)}$ | Setup time, DR valid before CLKX low | 16 | | ns |
| M59 | $t_{h(CKXL-DRV)}$ | Hold time, DR valid after CLKX low | 0 | | ns |

Table 6-81. McBSP as SPI Switching Characteristics^{(1) (2)}

CLKSTP = 11b, CLKXP = 1 (see Figure 6-53)

| NO. | PARAMETER | MASTER | | UNIT |
|-----|----------------------|------------------|------------|------|
| | | MIN | MAX | |
| M62 | $t_c(CKX)$ | Cycle time, CLKX | | ns |
| M53 | $t_d(CKXH-FXH)$ | CLKXP - 2 | CLKXP + 4 | ns |
| M54 | $t_d(FXL-CKXL)$ | CLKXP - 2 | CLKXP + 2 | ns |
| M55 | $t_d(CKXL-DXV)$ | -2 | 6 | ns |
| M56 | $t_{dis}(CKXH-DXHZ)$ | -3 | 8 | ns |
| M57 | $t_d(FXL-DXV)$ | CLKXL - 1 | CLKXL + 10 | ns |

- (1) $P = (1/SYSCLK4)$, where SYSCLK4 is an output clock of PLLC1 (see Section 3.3).
- (2) $T = CLKX \text{ period} = (1 + CLKGDV) \times 2P$
 $L_1 = CLKX \text{ low pulse width} = T/2$ when CLKGDV is odd or zero and $= (CLKGDV/2) \times 2P$ when CLKGDV is even
 $H_1 = CLKX \text{ high pulse width} = T/2$ when CLKGDV is odd or zero and $= (CLKGDV/2 + 1) \times 2P$ when CLKGDV is even
- (3) $FSRP = FSXP = 1$. As a SPI master, FSX is inverted to provide active-low slave-enable output.
 $CLKXM = FSXM = 1$, $CLKRM = FSRM = 0$ for master McBSP
- (4) FSX should be low before the rising edge of clock to enable slave devices and then begin a SPI transfer at the rising edge of the master clock (CLKX).

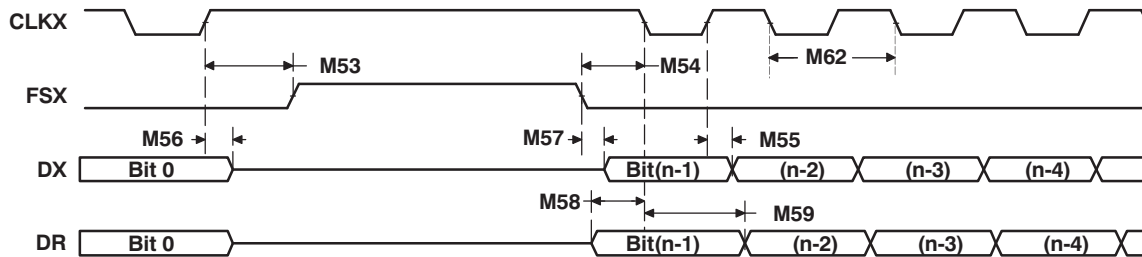


Figure 6-53. McBSP as SPI: CLKSTP = 11b, CLKXP = 1

6.18 Timer

The device contains four software-programmable timers. Timer 0, Timer 1, Timer 3, and Timer 4 (general-purpose timers) can be programmed in 64-bit mode, dual 32-bit unchained mode, or dual 32-bit chained mode. Timer 3 supports additional features over the other timers: external clock/event input, period reload, output event tied to Real Time Out (RTO) module, external event capture, and timer counter register read reset. Timer 2 is used only as a watchdog timer. Timer 2 is tied to device reset.

- 64-bit count-up counter
- Timer modes:
 - 64-bit general-purpose timer mode (Timer 0, 1, 3, 4)
 - Dual 32-bit general-purpose timer mode (Timer 0, 1, 3, 4)
 - Watchdog timer mode (Timer 2)
- Two possible clock sources:
 - Internal clock
 - External clock/event input via timer input pins (Timer 3)
- Three possible operation modes:
 - One-time operation (timer runs for one period then stops)
 - Continuous operation (timer automatically resets after each period)
 - Continuous operation with period reload (Timer 3)
- Generates interrupts to the ARM CPU
- Generates sync event to EDMA
- Generates output event to device reset (Timer 2)
- Generates output event to Real Timer Out (RTO) module (Timer 3)
- External event capture via timer input pins (Timer 3)

For more detailed information, see the *TMS320DM36x DMSoC Timer/Watchdog Timer User's Guide* ([SPRU FH0](#)).

6.18.1 Timer Peripheral Register Description(s)

[Table 6-82](#) lists the Timer registers, their corresponding acronyms, and the device memory locations (offsets).

Table 6-82. Timer Global Registers

| Offset | Acronym | Register Description |
|--------|-------------|---|
| 00h | PID12 | Peripheral Identification Register 12 |
| 04h | EMUMGT | Emulation Management Register |
| 10h | TIM12 | Timer Counter Register 12 |
| 14h | TIM34 | Timer Counter Register 34 |
| 18h | PRD12 | Timer Period Register 12 |
| 1Ch | PRD34 | Timer Period Register 34 |
| 20h | TCR | Timer Control Register |
| 24h | TGCR | Timer Global Control Register |
| 28h | WDTCR | Watchdog Timer Control Register |
| 34h | REL12 | Timer Reload Register 12 |
| 38h | REL34 | Timer Reload Register 34 |
| 3Ch | CAP12 | Timer Capture Register 12 |
| 40h | CAP34 | Timer Capture Register 34 |
| 44h | INTCTL_STAT | Timer Interrupt Control and Status Register |

6.18.2 Timer Electrical Data/Timing

Table 6-83. Timing Requirements for Timer Input^{(1) (2)} (see Figure 6-54)

| NO. | | | DEVICE | | UNIT |
|-----|----------------|-----------------------------|--------|-------|------|
| | | | MIN | MAX | |
| 1 | $t_{c(TIN)}$ | Cycle time, TIM_IN | 4P | | ns |
| 2 | $t_{w(TINPH)}$ | Pulse duration, TIM_IN high | 0.45C | 0.55C | ns |
| 3 | $t_{w(TINPL)}$ | Pulse duration, TIM_IN low | 0.45C | 0.55C | ns |
| 4 | $t_{t(TIN)}$ | Transition time, TIM_IN | 5 | | ns |

- (1) GPIO001, GPIO002, GPIO003, and GPIO004 can be used as external clock inputs for Timer 3. See the *TMS320DM36x DMSoC Timer/Watchdog Timer User's Guide* for more information ([SPRUFH0](#)).
- (2) P = MXI1/CLKIN cycle time in ns. For example, when MXI1/CLKIN frequency is 24 MHz use P = 41.6 ns.

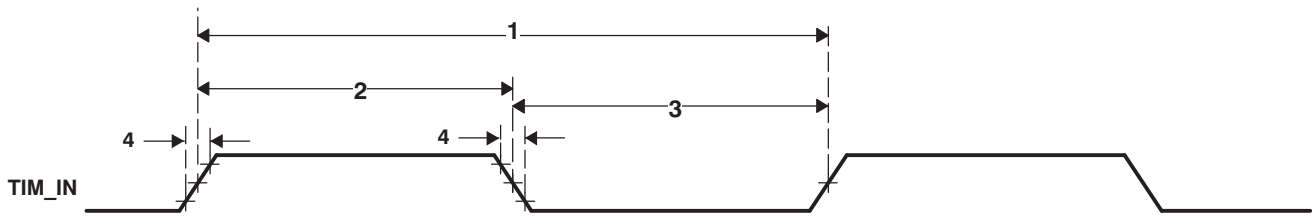


Figure 6-54. Timer Input Timing

6.19 Pulse Width Modulator (PWM)

The pulse width modulator (PWM) feature is very common in embedded systems. It provides a way to generate a pulse periodic waveform for motor control or can act as a digital-to-analog converter with some external components. This PWM peripheral is basically a timer with a period counter and a first-phase duration comparator, where bit width of the period and first-phase duration are both programmable. The Pulse Width Modulator (PWM) modules support the following features:

- 32-bit period counter
- 32-bit first-phase duration counter
- 8-bit repeat count for one-shot operation. One-shot operation will produce N + 1 periods of the waveform, where N is the repeat counter value.
- Configurable to operate in either one-shot or continuous mode
- Buffered period and first-phase duration registers
- One-shot operation triggerable by hardware events with programmable edge transitions. (low-to-high or high-to-low).
- One-shot operation triggerable by the ISIF VSYNC output of the video processing subsystem (VPSS), which allows any of the PWM instantiations to be used as a ISIF timer. This allows the device module to support the functions provided by the ISIF timer feature (generating strobe and shutter signals).
- One-shot operation generates N+1 periods of waveform, N being the repeat count register value
- Configurable PWM output pin inactive state
- Interrupt and EDMA synchronization events

6.19.1 PWM Peripheral Register Description(s)

Table 6-84 lists the PWM registers, their corresponding acronyms, and the device memory locations (offsets).

Table 6-84. Pulse Width Modulator (PWM) Registers

| Offset | Acronym | Register Description |
|--------|---------|--|
| 00h | PID | PWM Peripheral Identification Register |
| 04h | PCR | PWM Peripheral Control Register |
| 08h | CFG | PWM Configuration Register |
| 0Ch | START | PWM Start Register |
| 10h | RPT | PWM Repeat Count Register |
| 14h | PER | PWM Period Register |
| 18h | PH1D | PWM First-Phase Duration Register |

6.19.2 PWM0/1/2/3 Electrical/Timing Data

Table 6-85. Switching Characteristics Over Recommended Operating Conditions for PWM0/1/2/3 Outputs⁽¹⁾ (see Figure 6-55 and Figure 6-56)

| NO. | PARAMETER | DEVICE | | UNIT |
|-----|--|--------|-----|------|
| | | MIN | MAX | |
| 1 | $t_w(\text{PWMH})$ Pulse duration, PWMx high | 37 | | ns |
| 2 | $t_w(\text{PWML})$ Pulse duration, PWMx low | 37 | | ns |
| 3 | $t_t(\text{PWM})$ Transition time, PWMx | | 5 | ns |
| 4 | $t_d(\text{ISIF-PWMV})$ Delay time, ISIF(VD) trigger event to PWMx valid | 0 | 10 | ns |

(1) P = MXI1/CLKIN cycle time in ns. For example, when MXI1/CLKIN frequency is 24 MHz use P = 41.6 ns.

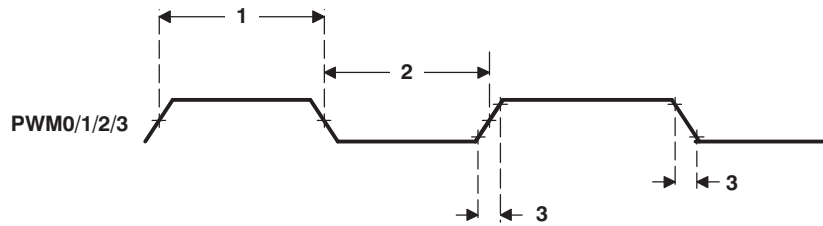


Figure 6-55. PWM Output Timing

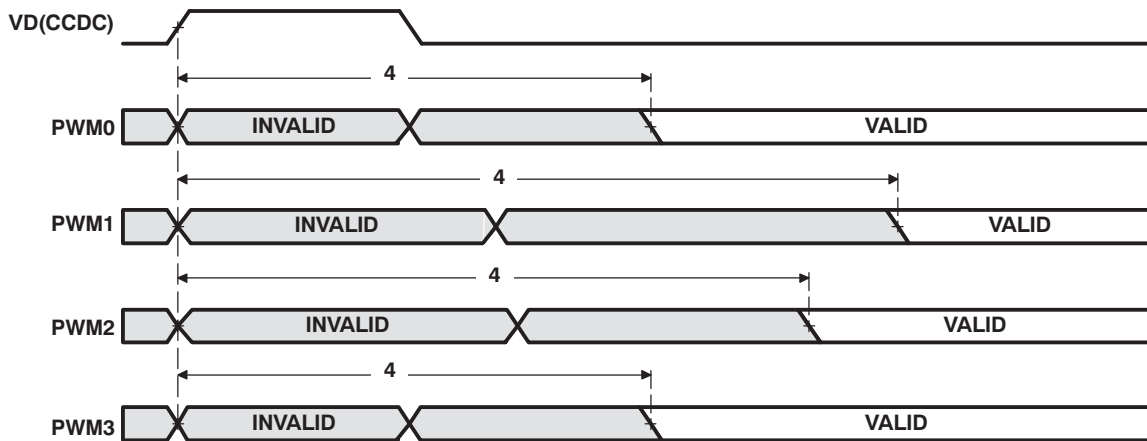


Figure 6-56. PWM Output Delay Timing

6.20 Real Time Out (RTO)

The device uses the Real Time Out (RTO) peripheral to provide appropriate input control signals to external devices such as motor controllers. This peripheral supports the following features:

- Four separate outputs
- Trigger on Timer3 event

6.20.1 Real Time Out (RTO) Peripheral Register Description(s)

Table 6-86 lists the RTO registers, their corresponding acronyms, and the device memory locations (offsets).

Table 6-86. Real Time Out (RTO) Registers

| Offset | Acronym | Register Description |
|--------|-------------|--|
| 0h | REVID | RTO Controller Revision ID Register |
| 04h | CTRL_STATUS | RTO Controller Control and Status Register |

6.20.2 RTO Electrical/Timing Data

Table 6-87. Switching Characteristics Over Recommended Operating Conditions for RTO Outputs (see Figure 6-57 and Figure 6-58)⁽¹⁾

| NO. | PARAMETER | DEVICE | | UNIT |
|-----|---|--------|--------------------------|------|
| | | MIN | MAX | |
| 1 | $t_{w(RTOH)}$ Pulse duration, RTOx high | 27.7 | 52.08 $\frac{3}{3}$ | ns |
| 2 | $t_{w(RTOL)}$ Pulse duration, RTOx low | .45C | .55C | ns |
| 3 | $t_{t(RTO)}$ Transition time, RTOx | .45C | .55C | ns |
| 4 | $t_{d(TIMER3-RTOV)}$ Delay time, Timer 3 (TINT12 or TINT34) trigger event to RTOx valid | | 10 | ns |

(1) C = MX11/CLKIN1 cycle time in ns. For example, when MX11/CLKIN1 frequency is 24 MHz use C = 41.6 ns.

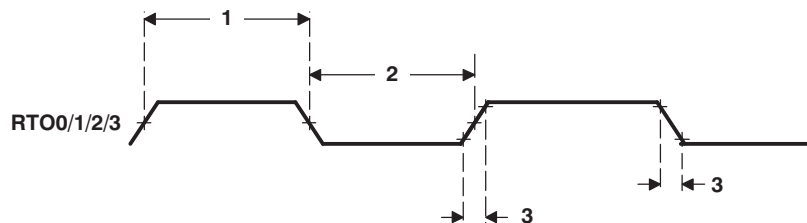


Figure 6-57. RTO Output Timing

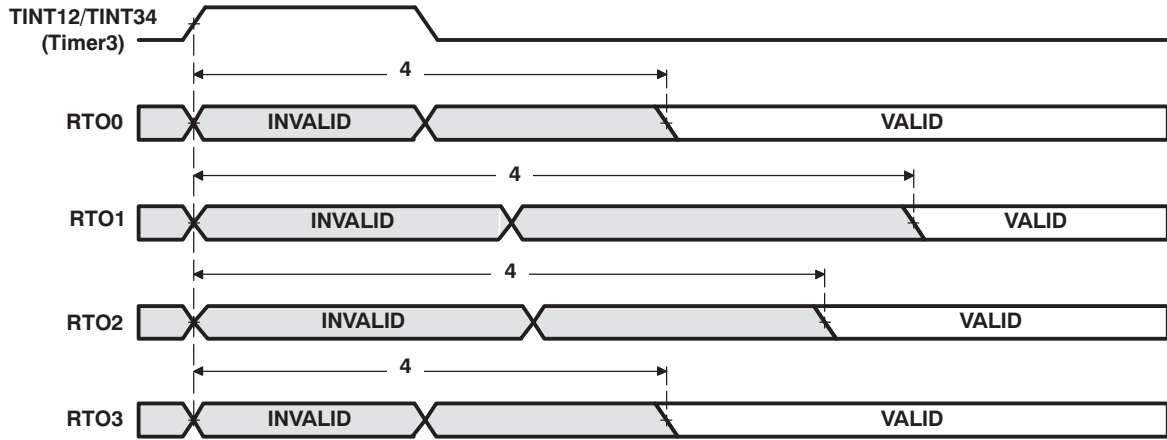


Figure 6-58. RTO Output Delay Timing

6.21 Ethernet Media Access Controller (EMAC)

The Ethernet Media Access Controller (EMAC) provides an efficient interface between the device and the network. The EMAC supports both 10Base-T (10 Mbits/second [Mbps]) and 100Base-TX (100 Mbps) in either half- or full-duplex mode. The EMAC module also supports hardware flow control and quality of service (QoS) support.

The frequencies supported for transmit and receive clocks are fixed by the IEEE 802.3 standard as:

- 2.5 MHz for 10Mbps
- 25 MHz for 100Mbps

The EMAC controls the flow of packet data from the device to the PHY. The MDIO module controls PHY configuration and status monitoring.

The EMAC module conforms to the IEEE 802.3-2002 standard, describing the “Carrier Sense Multiple Access with Collision Detection (CSMA/CD) Access Method and Physical Layer” specifications. The IEEE 802.3 standard has also been adopted by ISO/IEC and re-designated as ISO/IEC 8802-3:2000(E).

Deviation from this standard, the EMAC module does not use the Transmit Coding Error signal MTXER. Instead of driving the error pin when an underflow condition occurs on a transmitted frame, the EMAC will intentionally generate an incorrect checksum by inverting the frame CRC, so that the transmitted frame will be detected as an error by the network.

Both the EMAC and the MDIO modules interface to the device through a custom interface that allows efficient data transmission and reception. This custom interface is referred to as the EMAC control module, and is considered integral to the EMAC/MDIO peripheral. The control module is also used to multiplex and control interrupts.

For more information on the *TMS320DM36x DMSoC Ethernet Media Access Controller User's Guide* (literature number [SPRUFI5](#)).

6.21.1 EMAC Peripheral Register Description(s)

[Table 6-88](#) lists the EMAC registers, their corresponding acronyms, and the device memory locations (offsets).

Table 6-88. Ethernet Media Access Controller (EMAC) Control Module Registers

| Slave VBUS Address Offset | Acronym | Register Description |
|---------------------------|-------------------|--|
| 0h | CMIDVER | Identification and Version Register |
| 04h | CMSOFTRESET | Software Reset Register |
| 08h | CMEMCONTROL | Emulation Control Register |
| Ch | CMINTCTRL | Interrupt Control Register |
| 10h | CMRXTHRESHINTEN | Receive Threshold Interrupt Enable Register |
| 14h | CMRXINTEN | Receive Interrupt Enable Register |
| 18h | CMTXINTEN | Transmit Interrupt Enable Register |
| 1Ch | CMMISCINTEN | Miscellaneous Interrupt Enable Register |
| 40h | CMRXTHRESHINTSTAT | Receive Threshold Interrupt Status Register |
| 44h | CMRXINTSTAT | Receive Interrupt Status Register |
| 48h | CMTXINTSTAT | Transmit Interrupt Status Register |
| 4Ch | CMMISCINTSTAT | Miscellaneous Interrupt Status Register |
| 70Ch | CMRXINTMAX | Receive Interrupts Per Millisecond Register |
| 74h | CMTXINTMAX | Transmit Interrupts Per Millisecond Register |

Table 6-89. Ethernet Media Access Controller (EMAC) Registers

| Offset | Acronym | Register Description |
|--------|-------------------|---|
| 0h | TXIDVER | Transmit Identification and Version Register |
| 4h | TXCONTROL | Transmit Control Register |
| 8h | TXTEARDOWN | Transmit Teardown Register |
| 10h | RXIDVER | Receive Identification and Version Register |
| 14h | RXCONTROL | Receive Control Register |
| 18h | RXTEARDOWN | Receive Teardown Register |
| 80h | TXINTSTATRAW | Transmit Interrupt Status (Unmasked) Register |
| 84h | TXINTSTATMASKED | Transmit Interrupt Status (Masked) Register |
| 88h | TXINTMASKSET | Transmit Interrupt Mask Set Register |
| 8Ch | TXINTMASKCLEAR | Transmit Interrupt Clear Register |
| 90h | MACINVECTOR | MAC Input Vector Register |
| 94h | MACEOIVECTOR | MAC End of Interrupt Vector Register |
| A0h | RXINTSTATRAW | Receive Interrupt Status (Unmasked) Register |
| A4h | RXINTSTATMASKED | Receive Interrupt Status (Masked) Register |
| A8h | RXINTMASKSET | Receive Interrupt Mask Set Register |
| ACh | RXINTMASKCLEAR | Receive Interrupt Mask Clear Register |
| B0h | MACINTSTATRAW | MAC Interrupt Status (Unmasked) Register |
| B4h | MACINTSTATMASKED | MAC Interrupt Status (Masked) Register |
| B8h | MACINTMASKSET | MAC Interrupt Mask Set Register |
| BCh | MACINTMASKCLEAR | MAC Interrupt Mask Clear Register |
| 100h | RXMBPENABLE | Receive Multicast/Broadcast/Promiscuous Channel Enable Register |
| 104h | RXUNICASTSET | Receive Unicast Enable Set Register |
| 108h | RXUNICASTCLEAR | Receive Unicast Clear Register |
| 10Ch | RXMAXLEN | Receive Maximum Length Register |
| 110h | RXBUFFEROFFSET | Receive Buffer Offset Register |
| 114h | RXFILTERLOWTHRESH | Receive Filter Low Priority Frame Threshold Register |
| 120h | RX0FLOWTHRESH | Receive Channel 0 Flow Control Threshold Register |
| 124h | RX1FLOWTHRESH | Receive Channel 1 Flow Control Threshold Register |
| 128h | RX2FLOWTHRESH | Receive Channel 2 Flow Control Threshold Register |
| 12Ch | RX3FLOWTHRESH | Receive Channel 3 Flow Control Threshold Register |
| 130h | RX4FLOWTHRESH | Receive Channel 4 Flow Control Threshold Register |
| 134h | RX5FLOWTHRESH | Receive Channel 5 Flow Control Threshold Register |
| 138h | RX6FLOWTHRESH | Receive Channel 6 Flow Control Threshold Register |
| 13Ch | RX7FLOWTHRESH | Receive Channel 7 Flow Control Threshold Register |
| 140h | RX0FREEBUFFER | Receive Channel 0 Free Buffer Count Register |
| 144h | RX1FREEBUFFER | Receive Channel 1 Free Buffer Count Register |
| 148h | RX2FREEBUFFER | Receive Channel 2 Free Buffer Count Register |
| 14Ch | RX3FREEBUFFER | Receive Channel 3 Free Buffer Count Register |
| 150h | RX4FREEBUFFER | Receive Channel 4 Free Buffer Count Register |
| 154h | RX5FREEBUFFER | Receive Channel 5 Free Buffer Count Register |
| 158h | RX6FREEBUFFER | Receive Channel 6 Free Buffer Count Register |
| 15Ch | RX7FREEBUFFER | Receive Channel 7 Free Buffer Count Register |
| 160h | MACCONTROL | MAC Control Register |
| 164h | MACSTATUS | MAC Status Register |
| 168h | EMCONTROL | Emulation Control Register |
| 16Ch | FIFOCONTROL | FIFO Control Register |
| 170h | MACCONFIG | MAC Configuration Register |

Table 6-89. Ethernet Media Access Controller (EMAC) Registers (continued)

| Offset | Acronym | Register Description |
|-------------------------------------|---------------|---|
| 174h | SOFTRESET | Soft Reset Register |
| 1D0h | MACSRCADDRLO | MAC Source Address Low Bytes Register |
| 1D4h | MACSRCADDRHI | MAC Source Address High Bytes Register |
| 1D8h | MACHASH1 | MAC Hash Address Register 1 |
| 1DCh | MACHASH2 | MAC Hash Address Register 2 |
| 1E0h | BOFFTTEST | Back Off Test Register |
| 1E4h | TPACETEST | Transmit Pacing Algorithm Test Register |
| 1E8h | RXPAUSE | Receive Pause Timer Register |
| 1ECh | TXPAUSE | Transmit Pause Timer Register |
| 500h | MACADDRLO | MAC Address Low Bytes Register, Used in Receive Address Matching |
| 504h | MACADDRHI | MAC Address High Bytes Register, Used in Receive Address Matching |
| 508h | MACINDEX | MAC Index Register |
| 600h | TX0HDP | Transmit Channel 0 DMA Head Descriptor Pointer Register |
| 604h | TX1HDP | Transmit Channel 1 DMA Head Descriptor Pointer Register |
| 608h | TX2HDP | Transmit Channel 2 DMA Head Descriptor Pointer Register |
| 60Ch | TX3HDP | Transmit Channel 3 DMA Head Descriptor Pointer Register |
| 610h | TX4HDP | Transmit Channel 4 DMA Head Descriptor Pointer Register |
| 614h | TX5HDP | Transmit Channel 5 DMA Head Descriptor Pointer Register |
| 618h | TX6HDP | Transmit Channel 6 DMA Head Descriptor Pointer Register |
| 61Ch | TX7HDP | Transmit Channel 7 DMA Head Descriptor Pointer Register |
| 620h | RX0HDP | Receive Channel 0 DMA Head Descriptor Pointer Register |
| 624h | RX1HDP | Receive Channel 1 DMA Head Descriptor Pointer Register |
| 628h | RX2HDP | Receive Channel 2 DMA Head Descriptor Pointer Register |
| 62Ch | RX3HDP | Receive Channel 3 DMA Head Descriptor Pointer Register |
| 630h | RX4HDP | Receive Channel 4 DMA Head Descriptor Pointer Register |
| 634h | RX5HDP | Receive Channel 5 DMA Head Descriptor Pointer Register |
| 638h | RX6HDP | Receive Channel 6 DMA Head Descriptor Pointer Register |
| 63Ch | RX7HDP | Receive Channel 7 DMA Head Descriptor Pointer Register |
| 640h | TX0CP | Transmit Channel 0 Completion Pointer Register |
| 644h | TX1CP | Transmit Channel 1 Completion Pointer Register |
| 648h | TX2CP | Transmit Channel 2 Completion Pointer Register |
| 64Ch | TX3CP | Transmit Channel 3 Completion Pointer Register |
| 650h | TX4CP | Transmit Channel 4 Completion Pointer Register |
| 654h | TX5CP | Transmit Channel 5 Completion Pointer Register |
| 658h | TX6CP | Transmit Channel 6 Completion Pointer Register |
| 65Ch | TX7CP | Transmit Channel 7 Completion Pointer Register |
| 660h | RX0CP | Receive Channel 0 Completion Pointer Register |
| 664h | RX1CP | Receive Channel 1 Completion Pointer Register |
| 668h | RX2CP | Receive Channel 2 Completion Pointer Register |
| 66Ch | RX3CP | Receive Channel 3 Completion Pointer Register |
| 670h | RX4CP | Receive Channel 4 Completion Pointer Register |
| 674h | RX5CP | Receive Channel 5 Completion Pointer Register |
| 678h | RX6CP | Receive Channel 6 Completion Pointer Register |
| 67Ch | RX7CP | Receive Channel 7 Completion Pointer Register |
| Network Statistics Registers | | |
| 200h | RXGOODFRAMES | Good Receive Frames Register |
| 204h | RXBCASTFRAMES | Broadcast Receive Frames Register |

Table 6-89. Ethernet Media Access Controller (EMAC) Registers (continued)

| Offset | Acronym | Register Description |
|--------|-------------------|---|
| 208h | RXMCSTFRAMES | Multicast Receive Frames Register |
| 20Ch | RXPAUSEFRAMES | Pause Receive Frames Register |
| 210h | RXCRCERRORS | Receive CRC Errors Register |
| 214h | RXALIGNCODEERRORS | Receive Alignment/Code Errors Register |
| 218h | RXOVERSIZED | Receive Oversized Frames Register |
| 21Ch | RXJABBER | Receive Jabber Frames Register |
| 220h | RXUNDERSIZED | Receive Undersized Frames Register |
| 224h | RXFRAGMENTS | Receive Frame Fragments Register |
| 228h | RXFILTERED | Filtered Receive Frames Register |
| 22Ch | RXQOSFILTERED | Receive QOS Filtered Frames Register |
| 230h | RXOCTETS | Receive Octet Frames Register |
| 234h | TXGOODFRAMES | Good Transmit Frames Register |
| 238h | TxBCASTFRAMES | Broadcast Transmit Frames Register |
| 23Ch | TXMCSTFRAMES | Multicast Transmit Frames Register |
| 240h | TXPAUSEFRAMES | Pause Transmit Frames Register |
| 244h | TXDEFERRED | Deferred Transmit Frames Register |
| 248h | TXCOLLISION | Transmit Collision Frames Register |
| 24Ch | TXSINGLECOLL | Transmit Single Collision Frames Register |
| 250h | TXMULTICOLL | Transmit Multiple Collision Frames Register |
| 254h | TXEXCESSIVECOLL | Transmit Excessive Collision Frames Register |
| 258h | TXLATECOLL | Transmit Late Collision Frames Register |
| 25Ch | TXUNDERRUN | Transmit Underrun Error Register |
| 260h | TXCARRIERSENSE | Transmit Carrier Sense Errors Register |
| 264h | TXOCTETS | Transmit Octet Frames Register |
| 268h | FRAME64 | Transmit and Receive 64 Octet Frames Register |
| 26Ch | FRAME65T127 | Transmit and Receive 65 to 127 Octet Frames Register |
| 270h | FRAME128T255 | Transmit and Receive 128 to 255 Octet Frames Register |
| 274h | FRAME256T511 | Transmit and Receive 256 to 511 Octet Frames Register |
| 278h | FRAME512T1023 | Transmit and Receive 512 to 1023 Octet Frames Register |
| 27Ch | FRAME1024TUP | Transmit and Receive 1024 to RXMAXLEN Octet Frames Register |
| 280h | NETOCTETS | Network Octet Frames Register |
| 284h | RXSOFOVERRUNS | Receive FIFO or DMA Start of Frame Overruns Register |
| 288h | RXMOFOVERRUNS | Receive FIFO or DMA Middle of Frame Overruns Register |
| 28Ch | RXDMAOVERRUNS | Receive DMA Overruns Register |

Table 6-90. EMAC Descriptor Memory

| HEX ADDRESS RANGE | ACRONYM | DESCRIPTION |
|---------------------------|---------|---------------------------------------|
| 0x01D0 8000 - 0x01D0 9FFF | – | EMAC Control Module Descriptor Memory |

6.21.2 Ethernet Media Access Controller (EMAC) Electrical Data/Timing

Table 6-91. Timing Requirements for MRCLK (see Figure 6-59)

| NO. | | 10 Mbps | | 100 Mbps | | UNIT |
|-----|--|---------|-----|----------|-----|------|
| | | MIN | MAX | MIN | MAX | |
| 1 | $t_{c(MRCLK)}$ Cycle time, MRCLK | 400 | | 40 | | ns |
| 2 | $t_{w(MRCLKH)}$ Pulse duration, MRCLK high | 140 | | 14 | | ns |
| 3 | $t_{w(MRCLKL)}$ Pulse duration, MRCLK low | 140 | | 14 | | ns |

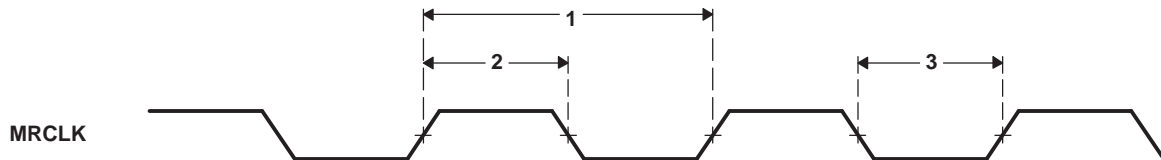


Figure 6-59. MRCLK Timing (EMAC - Receive)

Table 6-92. Timing Requirements for MTCLK (see Figure 6-59)

| NO. | | 10 Mbps | | 100 Mbps | | UNIT |
|-----|--|---------|-----|----------|-----|------|
| | | MIN | MAX | MIN | MAX | |
| 1 | $t_{c(MTCLK)}$ Cycle time, MTCLK | 400 | | 40 | | ns |
| 2 | $t_{w(MTCLKH)}$ Pulse duration, MTCLK high | 140 | | 14 | | ns |
| 3 | $t_{w(MTCLKL)}$ Pulse duration, MTCLK low | 140 | | 14 | | ns |

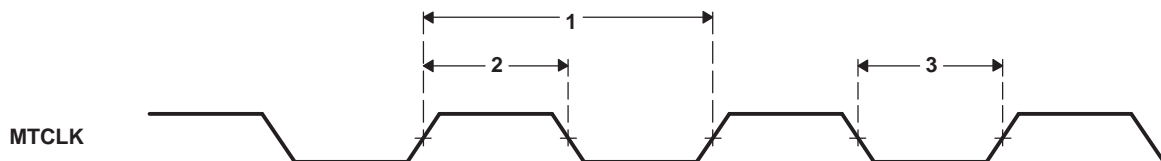


Figure 6-60. MTCLK Timing (EMAC - Transmit)

Table 6-93. Timing Requirements for EMAC MII Receive 10/100 Mbit/s⁽¹⁾ (see Figure 6-61)

| NO. | | MIN | MAX | UNIT |
|-----|---|-----|--|------|
| | | 1 | $t_{su(MRXD-MRCLKH)}$ Setup time, receive selected signals valid before MRCLK high | |
| 2 | $t_{h(MRCLKH-MRXD)}$ Hold time, receive selected signals valid after MRCLK high | 8 | | ns |

(1) Receive selected signals include: MRXD3-MRXD0, MRXDV, and MRXER.

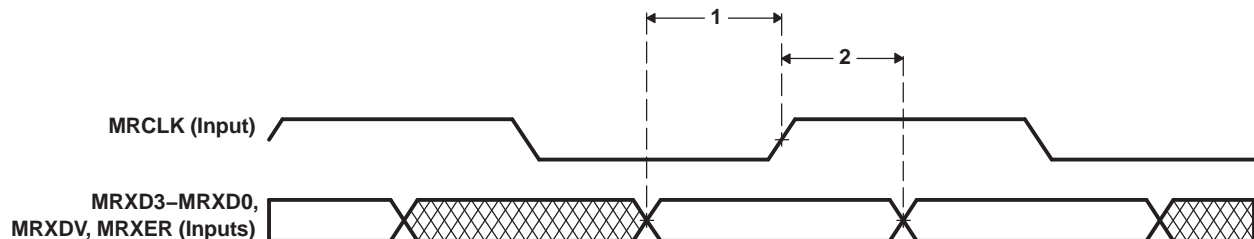


Figure 6-61. EMAC Receive Interface Timing

Table 6-94. Switching Characteristics Over Recommended Operating Conditions for EMAC MII Transmit

Table 6-94. Switching Characteristics Over Recommended Operating Conditions for EMAC MII Transmit 10/100 Mbit/s⁽¹⁾ (see Figure 6-62) (continued)
10/100 Mbit/s⁽¹⁾ (see Figure 6-62)

| NO. | | MIN | MAX | UNIT | |
|-----|--|-----|----------------------|------|---|
| | | 1 | $t_{d(MTCLKH-MTXD)}$ | | Delay time, MTCLK high to transmit selected signals valid |

(1) Transmit selected signals include: MTXD3-MTXD0, and MTXEN.

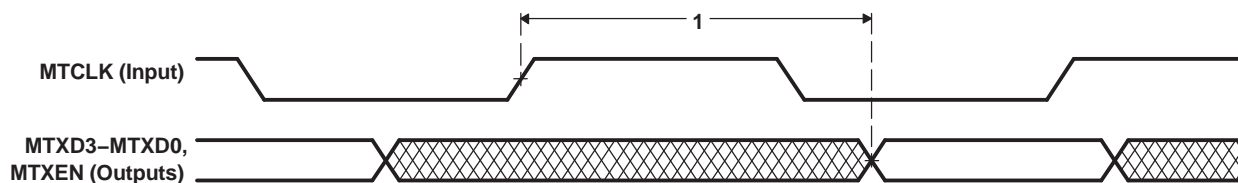


Figure 6-62. EMAC Transmit Interface Timing

6.22 Management Data Input/Output (MDIO)

The Management Data Input/Output (MDIO) module continuously polls all 32 MDIO addresses in order to enumerate all PHY devices in the system.

The Management Data Input/Output (MDIO) module implements the 802.3 serial management interface to interrogate and control Ethernet PHY(s) using a shared two-wire bus. Host software uses the MDIO module to configure the auto-negotiation parameters of each PHY attached to the EMAC, retrieve the negotiation results, and configure required parameters in the EMAC module for correct operation. The module is designed to allow almost transparent operation of the MDIO interface, with very little maintenance from the core processor. Only one PHY may be connected at any given time.

For more detailed information on the MDIO peripheral, see the *TMS320DM36x DMSoC Ethernet Media Access Controller User's Guide* (literature number [SPRUF15](#)).

6.22.1 MDIO Peripheral Register Description(s)

Table 6-95 lists the MDIO registers, their corresponding acronyms, and the device memory locations (offsets).

Table 6-95. Management Data Input/Output (MDIO) Registers

| Offset | Acronym | Register Description |
|--------|------------------|--|
| 0h | VERSION | Identification and Version Register |
| 04h | CONTROL | MDIO Control Register |
| 08h | ALIVE | PHY Alive Status register |
| Ch | LINK | PHY Link Status Register |
| 10h | LINKINTRAW | MDIO Link Status Change Interrupt (Unmasked) Register |
| 14h | LINKINTMASKED | MDIO Link Status Change Interrupt (Masked) Register |
| 20h | USERINTRAW | MDIO User Command Complete Interrupt (Unmasked) Register |
| 24h | USERINTMASKED | MDIO User Command Complete Interrupt (Masked) Register |
| 28h | USERINTMASKSET | MDIO User Command Complete Interrupt Mask Set Register |
| 2Ch | USERINTMASKCLEAR | MDIO User Command Complete Interrupt Mask Clear Register |
| 80h | USERACCESS0 | MDIO User Access Register 0 |
| 84h | USERPHYSEL0 | MDIO User PHY Select Register 0 |
| 88h | USERACCESS1 | MDIO User Access Register 1 |
| 8Ch | USERPHYSEL1 | MDIO User PHY Select Register 1 |

6.22.2 Management Data Input/Output (MDIO) Electrical Data/Timing

Table 6-96. Timing Requirements for MDIO Input (see Figure 6-63 and Figure 6-64)

| NO. | | | DEVICE | | UNIT |
|-----|-----------------------|---|--------|-----|------|
| | | | MIN | MAX | |
| 1 | $t_{c(MDCLK)}$ | Cycle time, MDCLK | 400 | | ns |
| 2 | $t_{w(MDCLK)}$ | Pulse duration, MDCLK high/low | 180 | | ns |
| 3 | $t_{t(MDCLK)}$ | Transition time, MDCLK | | 5 | ns |
| 4 | $t_{su(MDIO-MDCLKH)}$ | Setup time, MDIO data input valid before MDCLK high | 10 | | ns |
| 5 | $t_{h(MDCLKH-MDIO)}$ | Hold time, MDIO data input valid after MDCLK high | 0 | | ns |

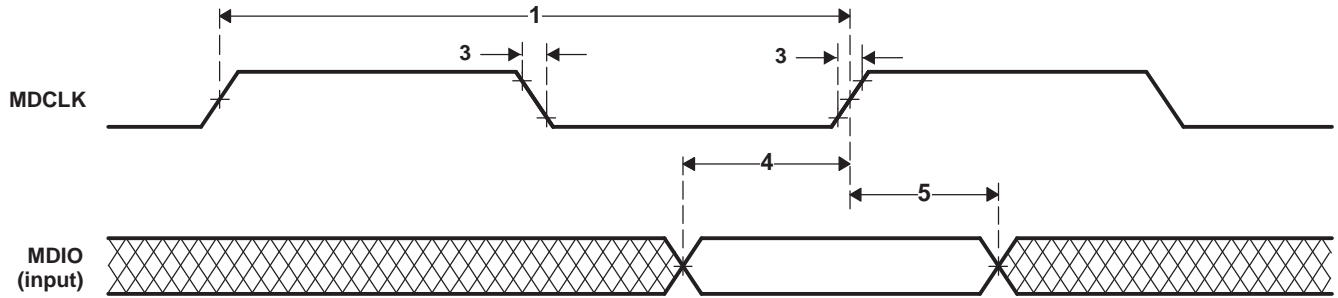


Figure 6-63. MDIO Input Timing

Table 6-97. Switching Characteristics Over Recommended Operating Conditions for MDIO Output (see Figure 6-64)

| NO. | | DEVICE | | UNIT |
|-----|--|--------|-----|------|
| | | MIN | MAX | |
| 7 | $t_{d(MDCLKL-MDIO)}$ Delay time, MDCLK low to MDIO data output valid | | 100 | ns |

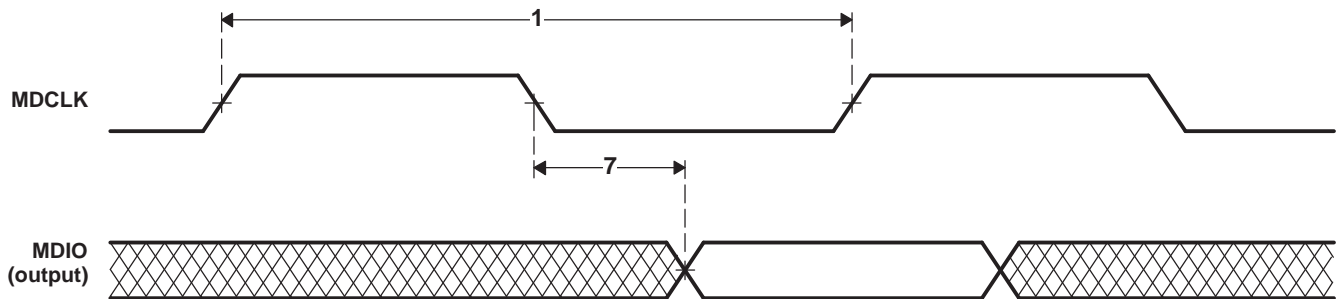


Figure 6-64. MDIO Output Timing

6.23 Host-Port Interface (HPI) Peripheral

Note: HPI is pin multiplexed with Asynchronous EMIF at the output pin. HPI is available only when boot mode selected is HPI boot mode. In this configuration, the device will always act as a slave.

6.23.1 HPI Device-Specific Information

The device includes a user-configurable 16-bit Host-port interface (HPI16).

- Multiplexed (address/data) operation
- Configurable single full-word cycle and dual half-word cycle access modes
- Bursting available utilizing 8-word read and write FIFOs
- HPIA register supports auto-incrementing
- HPID register/FIFOs providing data-path between external host interface and system bus
- Multiple strobes and control signals to allow flexible host connection
- Software control of data prefetching to the HPID/FIFOs
- DMSoC-to-Host interrupt output signal controlled by HPIC accesses
- Host-to-DMSoC interrupt controlled by HPIC accesses

NOTE: The device HPI **does not** support the $\overline{\text{HAS}}$ feature. For proper HPI operation if the $\overline{\text{HAS}}$ pin is routed out, the $\overline{\text{HAS}}$ pin **must** be pulled up via an external resistor.

The device HPICTL register (0x01C4 0024) is part of the System Module Registers. The HPICTL register controls write access to the HPI peripheral control and address registers as well as determines the host time-out value.

6.23.2 HPI Bus Master

The HPI peripheral includes a bus master interface that allows external device initiated transfers to access the DM368 system bus. See the *Master Peripheral Mem Map* column in [Table 2-3](#), the device Memory Map.

6.23.3 HPI Peripheral Register Description(s)

[Table 6-98](#) lists the HPI registers, their corresponding acronyms, and the device memory locations (offsets).

Table 6-98. HPI Registers

| Offset | Acronym | Register Description |
|--------|-------------|--|
| 0h | PID | Peripheral Identification Register |
| 4h | PWREMU_MGMT | Power and Emulation Management Register |
| 30h | HPIC | Host Port Interface Control Register |
| 34h | HPIAW | Host Port Interface Write Address Register |
| 38h | HPIAR | Host Port Interface Read Address Register |

6.23.4 HPI Electrical Data/Timing

Table 6-99. Timing Requirements for Host-Port Interface Cycles⁽¹⁾ ⁽²⁾ (see [Figure 6-65](#) and [Figure 6-66](#))

| NO. | | DEVICE | | UNIT |
|-----|--|--------|-----|------|
| | | MIN | MAX | |
| 1 | $t_{su}(SELV-HSTBL)$ Setup time, select signals ⁽³⁾ valid before $\overline{HSTROBE}$ low | 6 | | ns |
| 2 | $t_h(HSTBL-SELV)$ Hold time, select signals ⁽³⁾ valid after $\overline{HSTROBE}$ low | 2 | | ns |
| 3 | $t_w(HSTBL)$ Pulse duration, $\overline{HSTROBE}$ active low | 15 | | ns |
| 4 | $t_w(HSTBH)$ Pulse duration, $\overline{HSTROBE}$ inactive high between consecutive accesses | 2P | | ns |
| 11 | $t_{su}(HDV-HSTBH)$ Setup time, host data valid before $\overline{HSTROBE}$ high | 5 | | ns |
| 12 | $t_h(HSTBH-HDV)$ Hold time, host data valid after $\overline{HSTROBE}$ high | 2 | | ns |
| 13 | $t_h(HRDYL-HSTBL)$ Hold time, $\overline{HSTROBE}$ high after \overline{HRDY} low. $\overline{HSTROBE}$ should not be inactivated until \overline{HRDY} is active (low); otherwise, HPI writes will not complete properly. | 2 | | ns |

- (1) $\overline{HSTROBE}$ refers to the following logical operation on \overline{HCS} , $\overline{HDS1}$, and $\overline{HDS2}$: $[\text{NOT}(\overline{HDS1} \text{ XOR } \overline{HDS2})] \text{ OR } \overline{HCS}$.
(2) P = PLLC1.SYCLK4 period, where SYCLK4 is an output clock of PLLC1. For more details, see [Section 3.3, Device Clocking](#)
(3) Select signals include: \overline{HCNTLA} , \overline{HCNTLB} , $\overline{HR/W}$ and \overline{HHWL} .

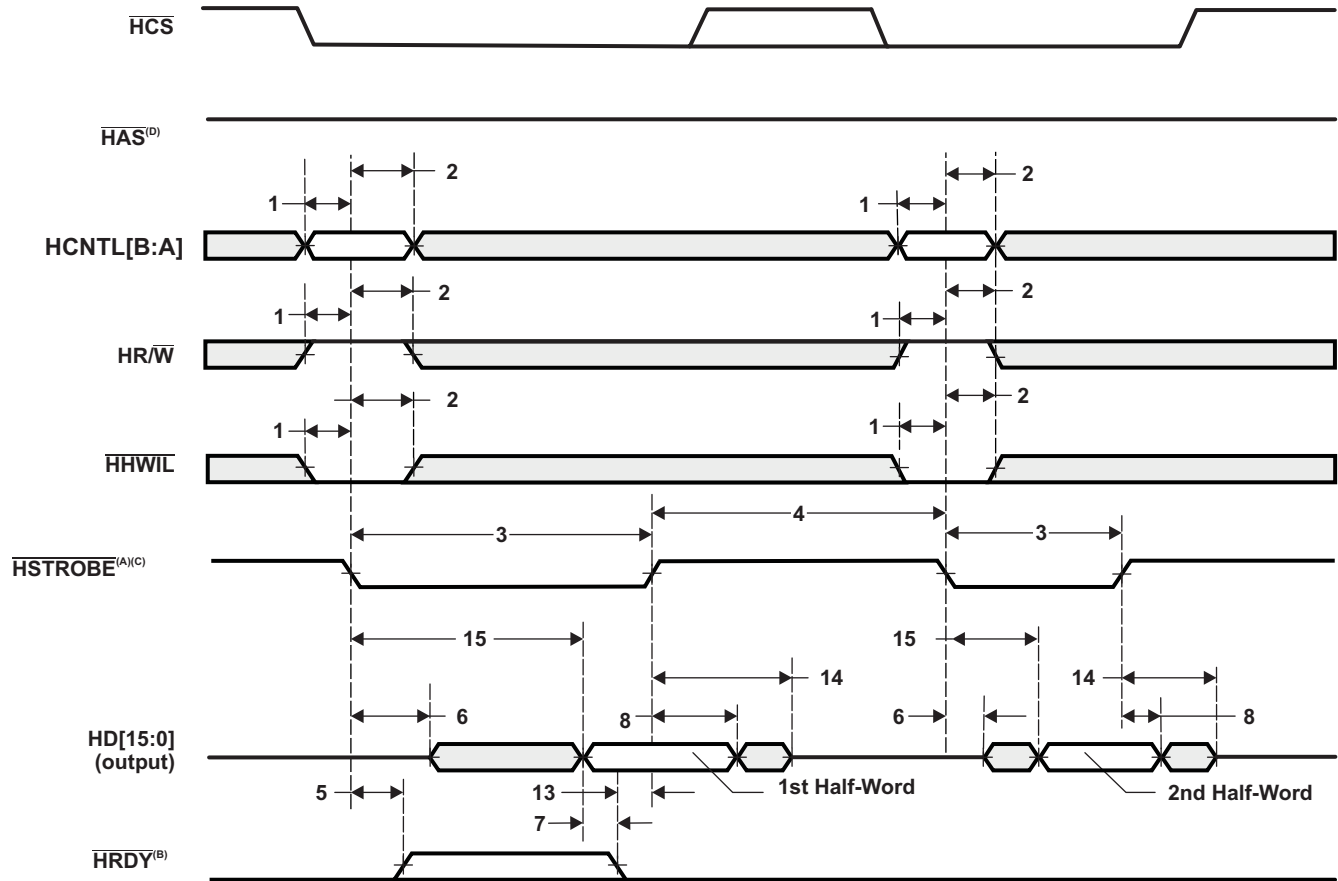
Table 6-100. Switching Characteristics for Host-Port Interface Cycles^{(1) (2) (3)}
(see [Figure 6-65](#) and [Figure 6-66](#))

| NO. | PARAMETER | | DEVICE | | UNIT | |
|-----|----------------------|---|--|-----|------|----|
| | | | MIN | MAX | | |
| 5 | $t_{d(HSTBL-HRDYV)}$ | Delay time, $\overline{HSTROBE}$ low to \overline{HRDY} valid | <p>For HPI Write, \overline{HRDY} can go high (<i>not ready</i>) for these HPI Write conditions; otherwise, \overline{HRDY} stays low (<i>ready</i>): Case 1: Back-to-back HPIA writes (can be either first or second half-word) Case 2: HPIA write following a PREFETCH command (can be either first or second half-word) Case 3: HPID write when FIFO is full or flushing (can be either first or second half-word) Case 4: HPIA write and Write FIFO not empty</p> <p>For HPI Read, \overline{HRDY} can go high (<i>not ready</i>) for these HPI Read conditions: Case 1: HPID read (with auto-increment) and data not in Read FIFO (can only happen to first half-word of HPID access) Case 2: First half-word access of HPID Read without auto-increment For HPI Read, \overline{HRDY} stays low (<i>ready</i>) for these HPI Read conditions: Case 1: HPID read with auto-increment and data is already in Read FIFO (applies to either half-word of HPID access) Case 2: HPID read without auto-increment and data is already in Read FIFO (always applies to second half-word of HPID access) Case 3: HPIC or HPIA read (applies to either half-word access)</p> | | 17 | ns |
| 6 | $t_{en(HSTBL-HDLZ)}$ | Enable time, HD driven from $\overline{HSTROBE}$ low | 2 | | ns | |
| 7 | $t_{d(HRDYL-HDV)}$ | Delay time, \overline{HRDY} low to HD valid | | 0 | ns | |
| 8 | $t_{oh(HSTBH-HDV)}$ | Output hold time, HD valid after $\overline{HSTROBE}$ high | 1.5 | | ns | |
| 14 | $t_{dis(HSTBH-HDV)}$ | Disable time, HD high-impedance from $\overline{HSTROBE}$ high | | 15 | ns | |
| 15 | $t_{d(HSTBL-HDV)}$ | Delay time, $\overline{HSTROBE}$ low to HD valid | <p>For HPI Read. Applies to conditions where data is already residing in HPID/FIFO: Case 1: HPIC or HPIA read Case 2: First half-word of HPID read with auto-increment and data is already in Read FIFO Case 3: Second half-word of HPID read with or without auto-increment</p> | | 18 | ns |

(1) $P = PLLC1.SYSCLK4$ period, where $YSCLK4$ is an output clock of $PLLC1$. For more details, see Section 3.3, *Device Clocking*.

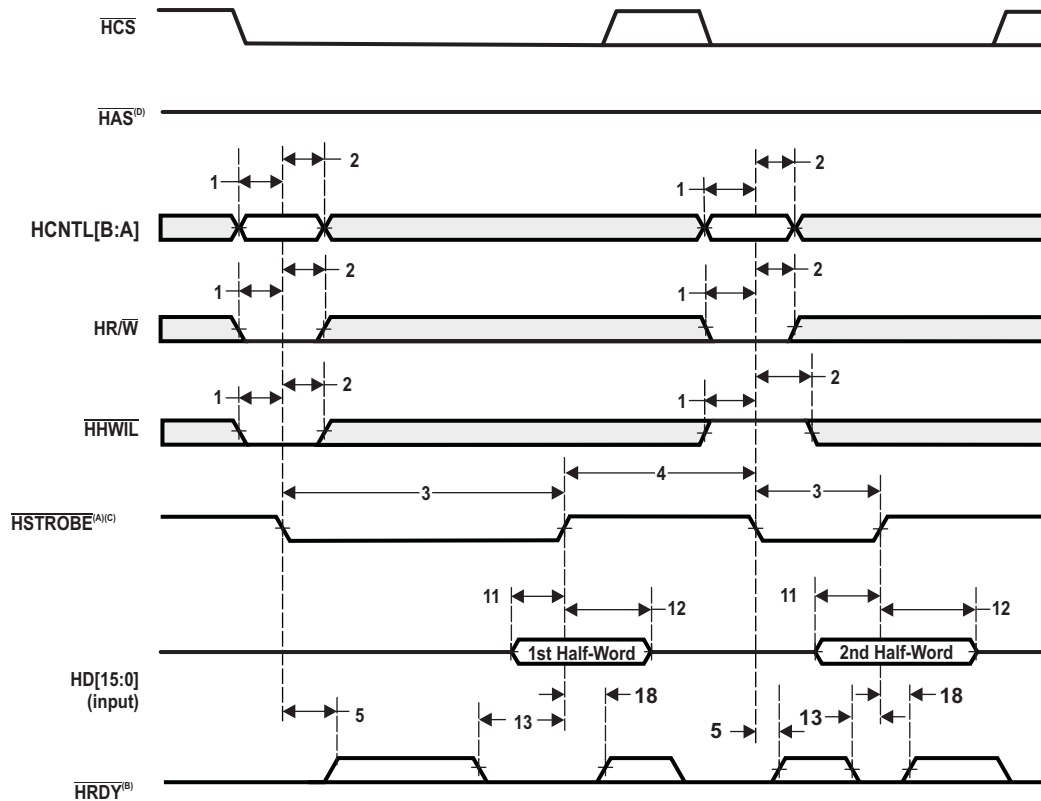
(2) $\overline{HSTROBE}$ refers to the following logical operation on HCS , $HDS1$, and $HDS2$: $[\text{NOT}(HDS1 \text{ XOR } HDS2)] \text{ OR } HCS$.

(3) By design, whenever \overline{HCS} is driven inactive (high), HPI will drive \overline{HRDY} active (low).



- A. $\overline{HSTROBE}$ refers to the following logical operation on \overline{HCS} , $\overline{HDS1}$, and $\overline{HDS2}$: $[\text{NOT}(\overline{HDS1} \text{ XOR } \overline{HDS2})] \text{ OR } \overline{HCS}$.
- B. Depending on the type of write or read operation (HPID without auto-incrementing; HPIA, HPIC, or HPID with auto-incrementing) and the state of the FIFO, transitions on \overline{HRDY} may or may not occur.
- C. \overline{HCS} reflects typical \overline{HCS} behavior when $\overline{HSTROBE}$ assertion is caused by $\overline{HDS1}$ or $\overline{HDS2}$. \overline{HCS} timing requirements are reflected by parameters for $\overline{HSTROBE}$.
- D. For proper HPI operation, \overline{HAS} must be pulled up via an external resistor.

Figure 6-65. HPI16 Read Timing (\overline{HAS} Not Used, Tied High)



- A. $\overline{\text{HSTROBE}}$ refers to the following logical operation on $\overline{\text{HCS}}$, $\overline{\text{HDS1}}$, and $\overline{\text{HDS2}}$: $[\text{NOT}(\overline{\text{HDS1}} \text{ XOR } \overline{\text{HDS2}})] \text{ OR } \overline{\text{HCS}}$.
- B. Depending on the type of write or read operation (HPID without auto-incrementing; HPIA, HPIC, or HPID with auto-incrementing) and the state of the FIFO, transitions on $\overline{\text{HRDY}}$ may or may not occur.
- C. $\overline{\text{HCS}}$ reflects typical $\overline{\text{HCS}}$ behavior when $\overline{\text{HSTROBE}}$ assertion is caused by $\overline{\text{HDS1}}$ or $\overline{\text{HDS2}}$. $\overline{\text{HCS}}$ timing requirements are reflected by parameters for $\overline{\text{HSTROBE}}$.
- D. For proper HPI operation, $\overline{\text{HAS}}$ must be pulled up via an external resistor.

Figure 6-66. HPI16 Write Timing ($\overline{\text{HAS}}$ Not Used, Tied High)

6.24 Key Scan

The device contains Key Scan module that supports two types of Key Matrices - 4x4 and 5x3. It also supports the following features :

- Supports the following two scan modes
 - Channel Interval mode
 - Scan Interval mode
- Programmable key scan time
 - Strobe time
 - Interval time
- Two input detection modes
 - Direct mode
 - 3-Data check mode
- Supports one interrupt to detect the following:
 - Key input changes
 - Periodic time intervals after a key is pressed

6.24.1 Key Scan Peripheral Register Description(s)

Table 6-101 lists the Key Scan registers, their corresponding acronyms, and the device memory locations (offsets).

Table 6-101. Key Scan Registers

| Offset | Register | Description |
|--------|--------------|--------------------------|
| 0x0 | KEYCTRL | Module Control register |
| 0x4 | INTCENA | Interrupt Enable control |
| 0x8 | INTFLG | Interrupt Flag control |
| 0xC | INTCLR | Interrupt Clear control |
| 0x10 | STRBWIDTH | Strobe width |
| 0x14 | INTERVALTIME | Interval Time |
| 0x18 | CONTITIME | Continuous timer |
| 0x1C | CURRENTST | Keyscan current status |
| 0x20 | PREVIOUSST | Keyscan previous status |
| 0x24 | EMUCTRL | Emulation control |

6.24.2 Key Scan Electrical Data/Timing

Table 6-102. Timing Requirements for Keyscan (see Figure 6-63 and Figure 6-64)

| NO | | | DEVICE | | UNIT |
|----|-----------------------|---|---|-----|------|
| | | | MIN | MAX | |
| 1 | $t_{w(KYOUTV)}$ | Pulse duration, Keyscan out (active low mode) | $(STWIDTH + 1) * CLK_P - 1$ ⁽¹⁾ ⁽²⁾ | | ns |
| 2 | $t_{w(KYOUTL)}$ | Pulse duration, Keyscan out (always out mode) | $(STWIDTH + 1) * CLK_P - 1$ ⁽¹⁾ ⁽²⁾ | | ns |
| 3 | $t_{su(KYOUT-KEYIN)}$ | Setup time, Keyscan input (always out mode) | 20 | | ns |
| | | Setup time, Keyscan input (active low mode) | | | |
| 4 | $t_{h(KYOUT-KEYIN)}$ | Hold time, Keyscan input (always out mode) | 0 | | ns |
| | | Hold time, Keyscan input (active low mode) | | | |

(1) STWIDTH = the value programmed into the STRBWIDTH register.

(2) $CLK_P = 1/(PLL1.AUXCLK/(DIV3+1))$ or $1/(RTCXI)$, where RTCXI is the PRTCSS oscillator input pin frequency of 32.768kHz.

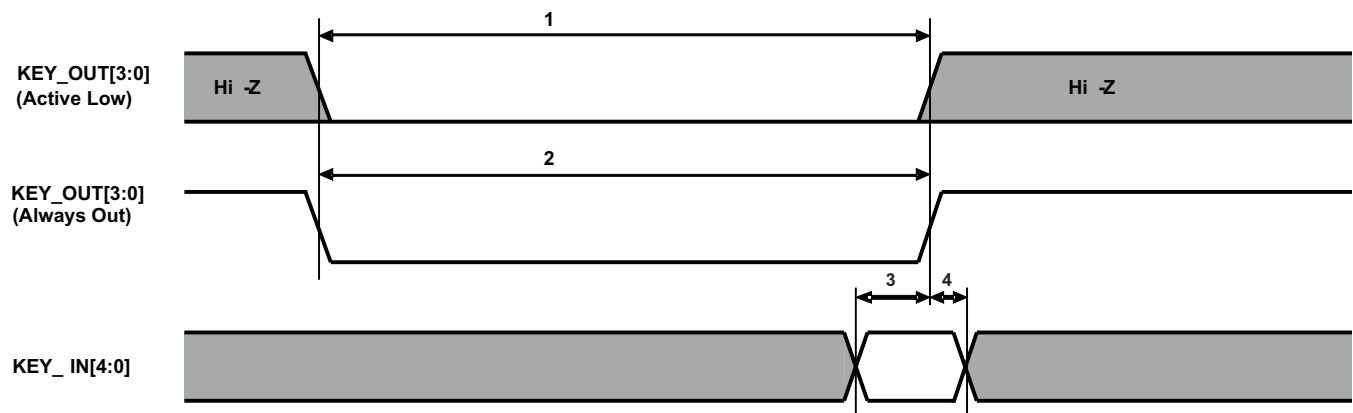


Figure 6-67. Key Scan Timing

6.25 Analog-to-Digital Converter (ADC)

The device has a 6-channel 10-bit Analog-to-Digital Converter (ADC) interface. The analog-to-digital converter (ADC) feature is very common in embedded systems. The following features are supported on the Analog-to-Digital Converter (ADC):

- Six configurable analog input selects
- Successive Approximation type 10 bit A-D converter
- Programmable Sampling / Conversion Time (base clock is AUXCLK)
- Channel select by Auto Scan conversion
- Mode select by *One-shot* mode or *Free-run* mode
- Programmable setup (idle) period to secure A/D sampling start time
- Supports the clock stop signals to connect the PSC

For Analog-to-Digital Converter characteristics, see [Section 5.2](#) and [Section 5.3](#).

6.25.1 Analog-to-Digital Converter (ADC) Peripheral Register Description(s)

[Table 6-103](#) lists the ADC registers, their corresponding acronyms, and the device memory locations (offsets).

Table 6-103. Analog-to-Digital Converter (ADC) Interface Registers

| Offset | Register | Description |
|--------|----------|---|
| 0x0 | ADCTL | Control register |
| 0x4 | CMPTGT | Comparator target channel |
| 0x8 | CMPLDAT | Comparison A/D Lower data |
| 0xC | CMPUDAT | Comparison A/D Upper data |
| 0x10 | SETDIV | SETUP divide value for start A/D conversion |
| 0x14 | CHSEL | Analog Input channel select |
| 0x18 | AD0DAT | A/D conversion data 0 |
| 0x1C | AD1DAT | A/D conversion data 1 |
| 0x20 | AD2DAT | A/D conversion data 2 |
| 0x24 | AD3DAT | A/D conversion data 3 |
| 0x28 | AD4DAT | A/D conversion data 4 |
| 0x2C | AD5DAT | A/D conversion data 5 |
| 0x30 | EMUCTRL | Emulation Control |

6.26 Voice Codec

The device has Voice Codec with FIFO (Read FIFO/Write FIFO). The following features are supported on the Voice Codec module.

- 16bit x 16 word FIFO for Recording/Playback data transfer
- Full differential Microphone Amplifier
- Monaural single ended Line output
- Monaural Speaker Amplifier (BTL)
- Dynamic Range: 70dB(DAC)
- Dynamic Range: 70dB(ADC)
- 200-300mW Speaker output at $R_L = 8\Omega$
- Sampling frequency: 8 KHz or 16 KHz
- Automatic Level Control for Recording

- Programmable Function by Register Control
 - Digital Attenuator of DAC: 0 dB to -62 dB
 - Digital gain control for Recording (0/ +6/ +12/ +18dB)
 - Power Up/Down Control for each module
 - 20 dB/26 dB Boost Selectable for Microphone Input
 - Two Stage Notch filter

For Voice Codec characteristics, see [Section 5.2](#) and [Section 5.3](#).

6.26.1 Voice Codec Register Description(s)

[Table 6-104](#) lists the Voice Codec registers, their corresponding acronyms, and the device memory locations (offsets).

Table 6-104. Voice Codec Registers

| Offset | Register | Description |
|--------|--------------|---------------------------------|
| 0x00 | VC_PID | VCIF PID |
| 0x04 | VC_CTRL | VCIF Control Register |
| 0x08 | VC_INTEN | VCIF Interrupt enable |
| 0x0C | VC_INTSTATUS | VCIF Interrupt status |
| 0x10 | VC_INTCLR | VCIF Interrupt status clear |
| 0x14 | VC_EMUL_CTRL | VCIF emulator Control |
| 0x20 | RFIFO | VCIF Read FIFO access register |
| 0x24 | WFIFO | VCIF Write FIFO access register |
| 0x28 | FIFOSTAT | FIFO Status |
| 0x80 | VC_REG00 | Notch filter parameter 1 |
| 0x84 | VC_REG01 | Notch filter parameter 1 |
| 0x88 | VC_REG02 | Notch filter parameter 2 |
| 0x8C | VC_REG03 | Notch filter parameter 2 |
| 0x90 | VC_REG04 | Recording side mode control |
| 0x94 | VC_REG05 | PGM & MIC gain |
| 0x98 | VC_REG06 | ALC |
| 0xA4 | VC_REG09 | Digital soft mute/attention |
| 0xA8 | VC_REG10 | Digital soft mute/attention |
| 0xB0 | VC_REG12 | Power up/down control |

6.27 IEEE 1149.1 JTAG

The JTAG⁽¹⁾ interface is used for BSDL testing and emulation of the device.

The device requires that both $\overline{\text{TRST}}$ and $\overline{\text{RESET}}$ be asserted upon power up to be properly initialized. While $\overline{\text{RESET}}$ initializes the device, $\overline{\text{TRST}}$ initializes the device's emulation logic. Both resets are required for proper operation.

While both $\overline{\text{TRST}}$ and $\overline{\text{RESET}}$ need to be asserted upon power up, only $\overline{\text{RESET}}$ needs to be released for the device to boot properly. $\overline{\text{TRST}}$ may be asserted indefinitely for normal operation, keeping the JTAG port interface and device's emulation logic in the reset state.

$\overline{\text{TRST}}$ only needs to be released when it is necessary to use a JTAG controller to debug the device or exercise the device's boundary scan functionality. Note: $\overline{\text{TRST}}$ is synchronous and **must** be clocked by TCK; otherwise, the boundary scan logic may not respond as expected after $\overline{\text{TRST}}$ is asserted.

$\overline{\text{RESET}}$ must be released only in order for boundary-scan JTAG to read the variant field of IDCODE correctly. Other boundary-scan instructions work correctly independent of current state of $\overline{\text{RESET}}$.

For maximum reliability, the device includes an internal pulldown (PD) on the $\overline{\text{TRST}}$ pin to ensure that $\overline{\text{TRST}}$ will always be asserted upon power up and the device's internal emulation logic will always be properly initialized.

JTAG controllers from Texas Instruments actively drive $\overline{\text{TRST}}$ high. However, some third-party JTAG controllers may not drive $\overline{\text{TRST}}$ high but expect the use of a pullup resistor on $\overline{\text{TRST}}$.

When using this type of JTAG controller, assert $\overline{\text{TRST}}$ to initialize the device after power up and externally drive $\overline{\text{TRST}}$ high before attempting any emulation or boundary scan operations. Following the release of $\overline{\text{RESET}}$, the low-to-high transition of $\overline{\text{TRST}}$ must be "seen" to latch the state of EMU1 and EMU0. The EMU[1:0] pins configure the device for either Boundary Scan mode or Emulation mode. For more detailed information, see the terminal functions section of this data sheet.

6.27.1 JTAG Register Description(s)

Table 6-104 shows the DEVICE ID register (which includes the JTAG ID related information), its corresponding acronym, and the device memory location. For more details on the DEVICE ID register bit fields, see the *TMS320DM36x DMSoC ARM Subsystem Reference Guide* (literature number [SPRUFG5](#)).

Table 6-105. DEVICE ID Register

| HEX ADDRESS RANGE | ACRONYM | REGISTER NAME | COMMENTS |
|-------------------|----------|------------------------------|---|
| 0x01C4 0028 | DEVICEID | JTAG Identification Register | Read-only. Provides 32-bit JTAG ID of the device. |

(1) IEEE Standard 1149.1-1990 Standard-Test-Access Port and Boundary Scan Architecture.

The DEVICE ID register is a read-only register that identifies to the customer the JTAG/Device ID. For the device, the DEVICE ID register resides at address location 0x01C4 0028. The register hex value for the device is: 0xB70 002F where 'X' denotes the silicon revision of the device. For more details on the silicon revision, see the *TMS320DM368 DMSoC Silicon Errata* (literature number [SPRZ315](#)).

6.27.2 JTAG Test-Port Electrical Data/Timing

Table 6-106. Timing Requirements for JTAG Test Port (see Figure 6-68)

| NO. | | | DEVICE | | UNIT |
|-----|----------------------|--|--------|-----|------|
| | | | MIN | MAX | |
| 1 | $t_{c(TCK)}$ | Cycle time, TCK | 50 | | ns |
| 2 | $t_w(TCKH)$ | Pulse duration, TCK high | 20 | | ns |
| 3 | $t_w(TCKL)$ | Pulse duration, TCK low | 20 | | ns |
| 4 | $t_{su}(TDIV-RTCKH)$ | Setup time, TDI valid before RTCK high | 5 | | ns |
| 5 | $t_h(RTCKH-TDIIV)$ | Hold time, TDI valid after RTCK high | 10 | | ns |
| 6 | $t_{su}(TMSV-RTCKH)$ | Setup time, TMS valid before RTCK high | 5 | | ns |
| 7 | $t_h(RTCKH-TMSV)$ | Hold time, TMS valid after RTCK high | 10 | | ns |

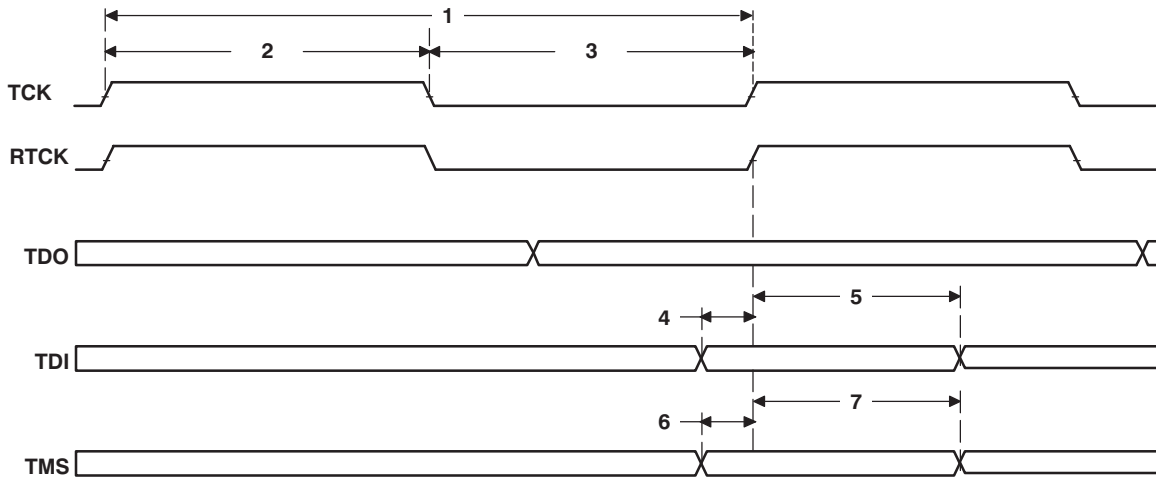


Figure 6-68. JTAG Input Timing

Table 6-107. Switching Characteristics Over Recommended Operating Conditions for JTAG Test Port
(see Figure 6-68)

| NO. | PARAMETER | DEVICE | | UNIT |
|-----|--|--------|-----|------|
| | | MIN | MAX | |
| 8 | $t_{c(RTCK)}$ Cycle time, RTCK | 50 | | ns |
| 9 | $t_w(RTCKH)$ Pulse duration, RTCK high | 20 | | ns |
| 10 | $t_w(RTCKL)$ Pulse duration, RTCK low | 20 | | ns |
| 11 | $t_r(\text{all JTAG outputs})$ Rise time, all JTAG outputs | | 5 | ns |
| 12 | $t_f(\text{all JTAG outputs})$ Fall time, all JTAG outputs | | 5 | ns |
| 13 | $t_d(RTCKL-TDOV)$ Delay time, TCK low to TDO valid | 0 | 23 | ns |

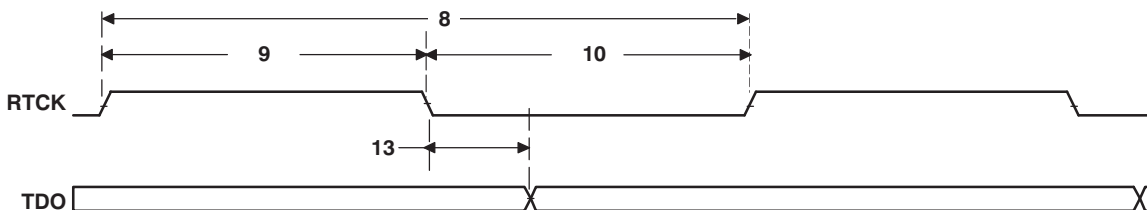


Figure 6-69. JTAG Output Timing

7 Mechanical Data

The following table(s) show the thermal resistance characteristics for the PBGA – ZCE mechanical package.

7.1 Thermal Data for ZCE

The following table shows the thermal resistance characteristics for the PBGA – ZCE mechanical package.

Table 7-1. Thermal Resistance Characteristics (PBGA Package) [ZCE]

| NO. | | | °C/W ⁽¹⁾ |
|-----|-----------------|-------------------------|---------------------|
| 1 | R θ_{JC} | Junction-to-case | 7.2 |
| 2 | R θ_{JB} | Junction-to-board | 11.4 |
| 3 | R θ_{JA} | Junction-to-free air | 27.0 |
| 4 | Psi $_{JT}$ | Junction-to-package top | 0.1 |
| 5 | Psi $_{JB}$ | Junction-to-board | 11.3 |

(1) The junction-to-case measurement was conducted in a JEDEC defined 2S2P system and will change based on environment as well as application. For more information, see these three EIA/JEDEC standards:

- EIA/JESD51-2, Integrated Circuits Thermal Test Method Environment Conditions - Natural Convection (Still Air)
- EIA/JESD51-3, Low Effective Thermal Conductivity Test Board for Leaded Surface Mount Packages
- JESD51-7, High Effective Thermal Conductivity Test Board for Leaded Surface Mount Packages

7.2 Packaging Information

The following packaging information reflects the most current data available for the designated device(s). This data is subject to change without notice and without revision of this document.

PACKAGING INFORMATION

| Orderable part number | Status (1) | Material type (2) | Package Pins | Package qty Carrier | RoHS (3) | Lead finish/ Ball material (4) | MSL rating/ Peak reflow (5) | Op temp (°C) | Part marking (6) |
|------------------------------------|---------------|----------------------|-------------------|------------------------|-------------|--------------------------------------|-----------------------------------|--------------|---------------------|
| TMS320DM368ZCE | Active | Production | NFBGA (ZCE) 338 | 160 JEDEC TRAY (5+1) | Yes | SNAGCU | Level-3-260C-168 HR | 0 to 85 | DM368ZCE 570 |
| TMS320DM368ZCE.Z | Active | Production | NFBGA (ZCE) 338 | 160 JEDEC TRAY (5+1) | Yes | SNAGCU | Level-3-260C-168 HR | -40 to 85 | DM368ZCE 570 |
| TMS320DM368ZCE48 | Active | Production | NFBGA (ZCE) 338 | 160 JEDEC TRAY (5+1) | Yes | SNAGCU | Level-3-260C-168 HR | 0 to 0 | DM368ZCE48 570 |
| TMS320DM368ZCE48.Z | Active | Production | NFBGA (ZCE) 338 | 160 JEDEC TRAY (5+1) | Yes | SNAGCU | Level-3-260C-168 HR | -40 to 85 | DM368ZCE48 570 |
| TMS320DM368ZCED | Active | Production | NFBGA (ZCE) 338 | 160 JEDEC TRAY (5+1) | Yes | SNAGCU | Level-3-260C-168 HR | -40 to 85 | DM368ZCED 570 |
| TMS320DM368ZCED.Z | Active | Production | NFBGA (ZCE) 338 | 160 JEDEC TRAY (5+1) | Yes | SNAGCU | Level-3-260C-168 HR | -40 to 85 | DM368ZCED 570 |
| TMS320DM368ZCED48F | Active | Production | NFBGA (ZCE) 338 | 160 JEDEC TRAY (5+1) | Yes | SNAGCU | Level-3-260C-168 HR | -40 to 85 | DM368ZCED48F 570 |
| TMS320DM368ZCED48F.Z | Active | Production | NFBGA (ZCE) 338 | 160 JEDEC TRAY (5+1) | Yes | SNAGCU | Level-3-260C-168 HR | -40 to 85 | DM368ZCED48F 570 |
| TMS320DM368ZCEDF | Active | Production | NFBGA (ZCE) 338 | 160 JEDEC TRAY (5+1) | Yes | SNAGCU | Level-3-260C-168 HR | -40 to 85 | DM368ZCEDF 570 |
| TMS320DM368ZCEDF.Z | Active | Production | NFBGA (ZCE) 338 | 160 JEDEC TRAY (5+1) | Yes | SNAGCU | Level-3-260C-168 HR | -40 to 85 | DM368ZCEDF 570 |
| TMS320DM368ZCEF | Active | Production | NFBGA (ZCE) 338 | 160 JEDEC TRAY (5+1) | Yes | SNAGCU | Level-3-260C-168 HR | 0 to 85 | DM368ZCEF 570 |
| TMS320DM368ZCEF.Z | Active | Production | NFBGA (ZCE) 338 | 160 JEDEC TRAY (5+1) | Yes | SNAGCU | Level-3-260C-168 HR | -40 to 85 | DM368ZCEF 570 |

(1) **Status:** For more details on status, see our [product life cycle](#).

(2) **Material type:** When designated, preproduction parts are prototypes/experimental devices, and are not yet approved or released for full production. Testing and final process, including without limitation quality assurance, reliability performance testing, and/or process qualification, may not yet be complete, and this item is subject to further changes or possible discontinuation. If available for ordering, purchases will be subject to an additional waiver at checkout, and are intended for early internal evaluation purposes only. These items are sold without warranties of any kind.

(3) **RoHS values:** Yes, No, RoHS Exempt. See the [TI RoHS Statement](#) for additional information and value definition.

(4) **Lead finish/Ball material:** Parts may have multiple material finish options. Finish options are separated by a vertical ruled line. Lead finish/Ball material values may wrap to two lines if the finish value exceeds the maximum column width.

(5) **MSL rating/Peak reflow:** The moisture sensitivity level ratings and peak solder (reflow) temperatures. In the event that a part has multiple moisture sensitivity ratings, only the lowest level per JEDEC standards is shown. Refer to the shipping label for the actual reflow temperature that will be used to mount the part to the printed circuit board.

(6) **Part marking:** There may be an additional marking, which relates to the logo, the lot trace code information, or the environmental category of the part.

Multiple part markings will be inside parentheses. Only one part marking contained in parentheses and separated by a "~" will appear on a part. If a line is indented then it is a continuation of the previous line and the two combined represent the entire part marking for that device.

Important Information and Disclaimer: The information provided on this page represents TI's knowledge and belief as of the date that it is provided. TI bases its knowledge and belief on information provided by third parties, and makes no representation or warranty as to the accuracy of such information. Efforts are underway to better integrate information from third parties. TI has taken and continues to take reasonable steps to provide representative and accurate information but may not have conducted destructive testing or chemical analysis on incoming materials and chemicals. TI and TI suppliers consider certain information to be proprietary, and thus CAS numbers and other limited information may not be available for release.

In no event shall TI's liability arising out of such information exceed the total purchase price of the TI part(s) at issue in this document sold by TI to Customer on an annual basis.

IMPORTANT NOTICE AND DISCLAIMER

TI PROVIDES TECHNICAL AND RELIABILITY DATA (INCLUDING DATA SHEETS), DESIGN RESOURCES (INCLUDING REFERENCE DESIGNS), APPLICATION OR OTHER DESIGN ADVICE, WEB TOOLS, SAFETY INFORMATION, AND OTHER RESOURCES "AS IS" AND WITH ALL FAULTS, AND DISCLAIMS ALL WARRANTIES, EXPRESS AND IMPLIED, INCLUDING WITHOUT LIMITATION ANY IMPLIED WARRANTIES OF MERCHANTABILITY, FITNESS FOR A PARTICULAR PURPOSE OR NON-INFRINGEMENT OF THIRD PARTY INTELLECTUAL PROPERTY RIGHTS.

These resources are intended for skilled developers designing with TI products. You are solely responsible for (1) selecting the appropriate TI products for your application, (2) designing, validating and testing your application, and (3) ensuring your application meets applicable standards, and any other safety, security, regulatory or other requirements.

These resources are subject to change without notice. TI grants you permission to use these resources only for development of an application that uses the TI products described in the resource. Other reproduction and display of these resources is prohibited. No license is granted to any other TI intellectual property right or to any third party intellectual property right. TI disclaims responsibility for, and you will fully indemnify TI and its representatives against, any claims, damages, costs, losses, and liabilities arising out of your use of these resources.

TI's products are provided subject to [TI's Terms of Sale](#) or other applicable terms available either on [ti.com](https://www.ti.com) or provided in conjunction with such TI products. TI's provision of these resources does not expand or otherwise alter TI's applicable warranties or warranty disclaimers for TI products.

TI objects to and rejects any additional or different terms you may have proposed.

Mailing Address: Texas Instruments, Post Office Box 655303, Dallas, Texas 75265

Copyright © 2025, Texas Instruments Incorporated