

# TXB0108 8 ビット双方向電圧レベルトランスレータ、自動方向検出機能および ±15kV ESD 保護機能搭載

## 1 特長

- 1.2V~3.6V (A ポート)、1.65V~5.5V (B ポート) ( $V_{CCA} \leq V_{CCB}$ )
- $V_{CC}$  絶縁機能: どちらかの  $V_{CC}$  入力がある GND レベルになると、すべての出力が高インピーダンス状態
- $V_{CCA}$  を基準とする出力イネーブル (OE) 入力回路
- 低消費電力、最大  $I_{CC}$ : 4 $\mu$ A
- $I_{off}$  により部分的パワーダウン モード動作をサポート
- JESD 78、Class II 準拠で 100mA 超のラッチアップ性能
- JESD 22 を超える ESD 保護
  - A ポート
    - 2000V、人体モデル (A114-B)
    - 1000V、デバイス帯電モデル (C101)
  - B ポート
    - ±15kV、人体モデル (A114-B)
    - ±8kV、人体モデル (A114-B) (YZP パッケージのみ)
    - 1000V、デバイス帯電モデル (C101)

5.5V の電源電圧を入力できます。これにより、1.2V、1.5V、1.8V、2.5V、3.3V、5V の任意の電圧ノード間での自在な低電圧双方向変換が可能です。 $V_{CCA}$  が  $V_{CCB}$  を上回ることはできません。

出力イネーブル (OE) 入力がある Low のとき、全出力が高インピーダンス状態になります。

TXB0108 は、OE 入力回路が  $V_{CCA}$  によって給電されるように設計されています。

このデバイスは、 $I_{off}$  を使用する部分的パワーダウン アプリケーション用の動作が完全に規定されています。 $I_{off}$  回路で出力をディセーブルすることにより、電源切断時にデバイスに電流が逆流して損傷するのを回避できます。

電源オンまたは電源オフ時に高インピーダンス状態を確保するため、OE をプルダウン抵抗経路で GND に接続する必要があります。この抵抗の最小値は、ドライバの電流ソース能力によって決まります。

### 製品情報

部品番号	パッケージ (1)	本体サイズ (公称)
TXB0108DQS	SON (20)	2.00 mm × 4.00mm
TXB0108ZXY	BGA MICROSTAR JUNIOR (20)	2.50 mm × 3.00mm
TXB0108PW	TSSOP (20)	6.50 mm × 4.40mm
TXB0108RGY	VQFN (20)	4.50 mm × 3.50mm
TXB0108YZP	DSGBA (20)	1.90 mm × 2.40mm
TXB0108NME	nFBGA (20)	2.50 mm × 3.00mm
TXB0108RUK	WQFN (20)	3.00 mm × 3.00mm
TXB0108DGS	VSSOP (20)	5.10 mm × 3.00mm
TXB0108RKS	VQFN (20)	4.50 mm × 2.50mm

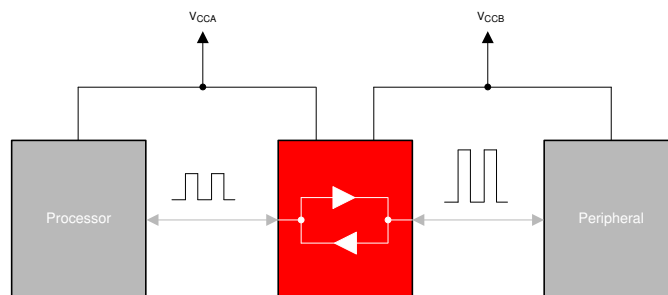
## 2 アプリケーション

- ハンドセット
- スマートフォン
- タブレット
- デスクトップ PC

## 3 概要

この 8 ビット非反転トランスレータは、設定可能な 2 本の独立した電源レールを使用します。A ポートは  $V_{CCA}$  に追従するように設計されています。 $V_{CCA}$  ピンには、1.2V~3.6V の電源電圧を入力できます。B ポートは、 $V_{CCB}$  に追従する設計になっています。 $V_{CCB}$  ピンには、1.65V~

(1) 利用可能なすべてのパッケージについては、データシートの末尾にある注文情報を参照してください。



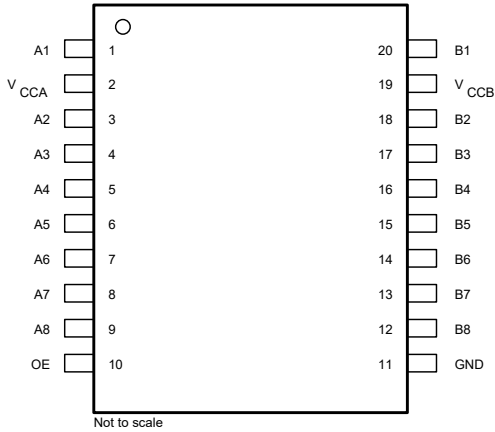
TXB0108 の代表的なアプリケーション ブロック図



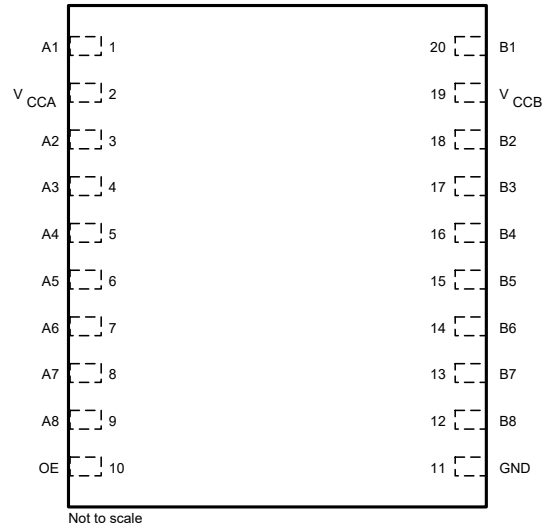
## Table of Contents

<b>1 特長</b> .....	1	5.19 Switching Characteristics: $V_{CCA} = 2.5V \pm 0.2V$ (Other Packages).....	12
<b>2 アプリケーション</b> .....	1	5.20 Switching Characteristics: $V_{CCA} = 3.3V \pm 0.3V$ (DGS/RUK/RKS).....	12
<b>3 概要</b> .....	1	5.21 Switching Characteristics: $V_{CCA} = 3.3V \pm 0.3V$ (Other Packages).....	13
<b>4 Pin Configuration and Functions</b> .....	3	5.22 Operating Characteristics.....	13
<b>5 Specifications</b> .....	6	5.23 Typical Characteristics.....	14
5.1 Absolute Maximum.....	6	<b>6 Parameter Measurement Information</b> .....	15
5.2 Handling Ratings.....	6	<b>7 Detailed Description</b> .....	16
5.3 Recommended Operating Conditions.....	6	7.1 Overview.....	16
5.4 Thermal Information.....	7	7.2 Functional Block Diagram.....	16
5.5 Electrical Characteristics (DGS/RUK/RKS).....	7	7.3 Feature Description.....	17
5.6 Electrical Characteristics (Other Packages).....	8	7.4 Device Functional Modes.....	18
5.7 Timing Requirements: $V_{CCA} = 1.2V$ .....	9	<b>8 Application and Implementation</b> .....	19
5.8 Timing Requirements: $V_{CCA} = 1.5V \pm 0.1V$ .....	9	8.1 Application Information.....	19
5.9 Timing Requirements: $V_{CCA} = 1.8V \pm 0.15V$ .....	9	8.2 Typical Application.....	19
5.10 Timing Requirements: $V_{CCA} = 2.5V \pm 0.2V$ .....	9	<b>9 Power Supply Recommendations</b> .....	21
5.11 Timing Requirements: $V_{CCA} = 3.3V \pm 0.3V$ .....	9	<b>10 Layout</b> .....	21
5.12 Switching Characteristics: $V_{CCA} = 1.2V$ (DGS/RUK/RKS).....	9	10.1 Layout Guidelines.....	21
5.13 Switching Characteristics: $V_{CCA} = 1.2V$ (Other Packages).....	10	10.2 Layout Example.....	21
5.14 Switching Characteristics: $V_{CCA} = 1.5V \pm 0.1V$ (DGS/RUK/RKS).....	10	<b>11 Device and Documentation Support</b> .....	22
5.15 Switching Characteristics: $V_{CCA} = 1.5V \pm 0.1V$ (Other Packages).....	11	11.1 ドキュメントの更新通知を受け取る方法.....	22
5.16 Switching Characteristics: $V_{CCA} = 1.8V \pm 0.15V$ (DGS/RUK/RKS).....	11	11.2 サポート・リソース.....	22
5.17 Switching Characteristics: $V_{CCA} = 1.8V \pm 0.15V$ (Other Packages).....	11	11.3 Trademarks.....	22
5.18 Switching Characteristics: $V_{CCA} = 2.5V \pm 0.2V$ (DGS/RUK/RKS).....	12	11.4 静電気放電に関する注意事項.....	22
		11.5 用語集.....	22
		<b>12 Revision History</b> .....	22
		<b>13 Mechanical, Packaging, and Orderable Information</b> .....	23

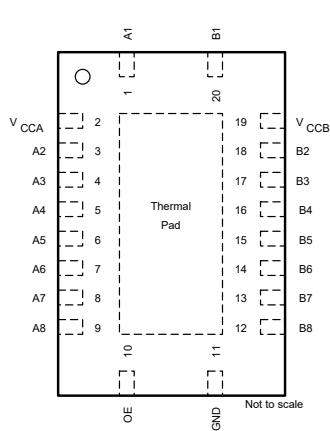
## 4 Pin Configuration and Functions



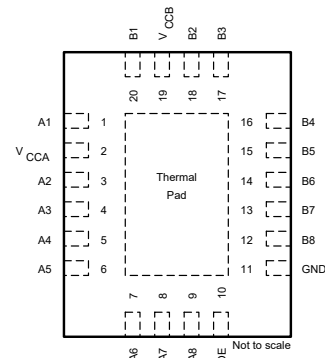
4-1. DGS/PW Package (Top View)



4-2. DQS Package (Top View)

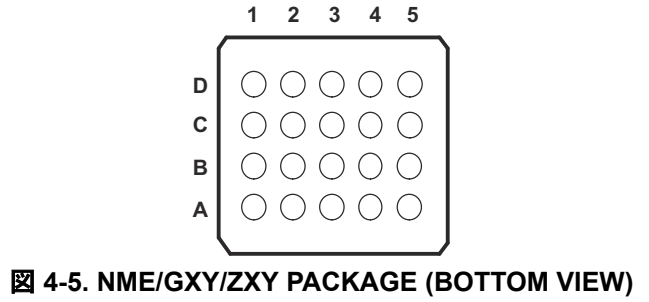
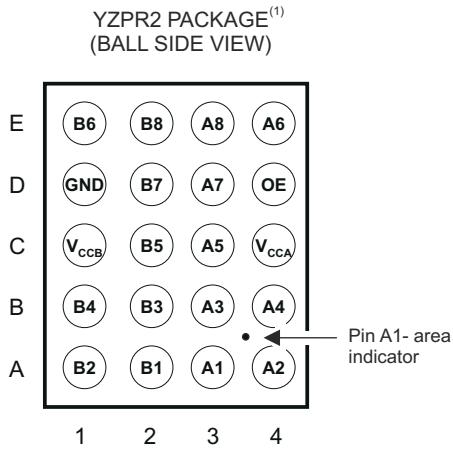


4-3. RGY/RKS Package (Top View)



4-4. RUK Package (Top View)

- A. For the RKS/RGY/RUK package, the exposed center thermal pad must be connected to ground.
- B. Pullup resistors are not required on both sides for Logic I/O.
- C. If pullup or pulldown resistors are needed, the resistor value must be over 50kΩ.
- D. 50kΩ is a safe recommended value, if the customer can accept higher  $V_{OL}$  or lower  $V_{OH}$ , smaller pullup or pulldown resistor is allowed, the draft estimation is  $V_{OL} = V_{CCOUT} \times 4.5k / (4.5k + R_{PU})$  and  $V_{OH} = V_{CCOUT} \times R_{DW} / (4.5k + R_{DW})$ .
- E. If pullup resistors are needed, please refer to the TXS0108 or contact TI.
- F. For detailed information, please refer [A Guide to Voltage Translation With TXB-Type Translators](#).



<sup>(1)</sup> See orderable addendum at the end of the data sheet

**表 4-1. Pin Functions**

PIN				I/O <sup>(1)</sup>	FUNCTION
SIGNAL NAME	PW, RGY NO.	DQS NO.	YZP GRID LOCATOR		
A1	1	1	A3	I/O	Input/output 1. Referenced to $V_{CCA}$ .
$V_{CCA}$	2	5	C4	S	A-port supply voltage. $1.1\text{ V} \leq V_{CCA} \leq 3.6\text{ V}$ , $V_{CCA} \leq V_{CCB}$ .
A2	3	2	A4	I/O	Input/output 2. Referenced to $V_{CCA}$ .
A3	4	3	B3	I/O	Input/output 3. Referenced to $V_{CCA}$ .
A4	5	4	B4	I/O	Input/output 4. Referenced to $V_{CCA}$ .
A5	6	7	C3	I/O	Input/output 5. Referenced to $V_{CCA}$ .
A6	7	8	E4	I/O	Input/output 6. Referenced to $V_{CCA}$ .
A7	8	9	D3	I/O	Input/output 7. Referenced to $V_{CCA}$ .
A8	9	10	E3	I/O	Input/output 8. Referenced to $V_{CCA}$ .
OE	10	6	D4	I	Output enable. Pull OE low to place all outputs in 3-state mode. Referenced to $V_{CCA}$ .
GND	11	15	D1	S	Ground
B8	12	11	E2	I/O	Input/output 8. Referenced to $V_{CCB}$ .
B7	13	12	D2	I/O	Input/output 7. Referenced to $V_{CCB}$ .
B6	14	13	E1	I/O	Input/output 6. Referenced to $V_{CCB}$ .
B5	15	14	C2	I/O	Input/output 5. Referenced to $V_{CCB}$ .
B4	16	17	B1	I/O	Input/output 4. Referenced to $V_{CCB}$ .
B3	17	18	B2	I/O	Input/output 3. Referenced to $V_{CCB}$ .
B2	18	19	A1	I/O	Input/output 2. Referenced to $V_{CCB}$ .
$V_{CCB}$	19	16	C1	S	B-port supply voltage. $1.65\text{ V} \leq V_{CCB} \leq 5.5\text{ V}$ .
B1	20	20	A2	I/O	Input/output 1. Referenced to $V_{CCB}$ .
Thermal Pad	—			—	For the RGY/RUK package, the exposed center thermal pad must be connected to ground.

(1) I = input, O = output, I/O = input and output, S = power supply

**表 4-2. Pin Assignments (20-Ball NME/GXY/ZXY Package)**

	1	2	3	4	5
<b>D</b>	$V_{CCB}$	B2	B4	B6	B8
<b>C</b>	B1	B3	B5	B7	GND
<b>B</b>	A1	A3	A5	A7	OE
<b>A</b>	$V_{CCA}$	A2	A4	A6	A8

## 5 Specifications

### 5.1 Absolute Maximum

over operating free-air temperature range (unless otherwise noted)

		(1)	MIN	MAX	UNIT
V <sub>CCA</sub>	Supply voltage range		-0.5	4.6	V
V <sub>CCB</sub>	Supply voltage range		-0.5	6.5	V
V <sub>I</sub>	Input voltage range <sup>(2)</sup>		-0.5	6.5	V
V <sub>O</sub>	Voltage range applied to any output in the high-impedance or power-off state <sup>(2)</sup>		-0.5	6.5	V
V <sub>O</sub>	Voltage range applied to any output in the high or low state <sup>(2) (3)</sup>	A inputs	-0.5	V <sub>CCA</sub> + 0.5	V
		B inputs	-0.5	V <sub>CCB</sub> + 0.5	
I <sub>IK</sub>	Input clamp current	V <sub>I</sub> < 0		-50	mA
I <sub>OK</sub>	Output clamp current	V <sub>O</sub> < 0		-50	mA
I <sub>O</sub>	Continuous output current			±50	mA
	Continuous current through V <sub>CCA</sub> , V <sub>CCB</sub> , or GND			±100	mA
T <sub>stg</sub>	Storage temperature range		-65	150	°C
T <sub>J</sub>	Junction temperature			150	°C

- (1) Stresses beyond those listed under [セクション 5.1](#) may cause permanent damage to the device. These are stress ratings only, and functional operation of the device at these or any other conditions beyond those indicated under [セクション 5.3](#) is not implied. Exposure to absolute-maximum-rated conditions for extended periods may affect device reliability.
- (2) The input and output negative-voltage ratings may be exceeded if the input and output current ratings are observed.
- (3) The value of V<sub>CCA</sub> and V<sub>CCB</sub> are provided in the recommended operating conditions table.

### 5.2 Handling Ratings

			MIN	MAX	UNIT
V <sub>(ESD)</sub>	Electrostatic discharge	Human body model (HBM), per ANSI/ESDA/JEDEC JS-001, all pins <sup>(1)</sup> , A Port		2	kV
		Human body model (HBM), per ANSI/ESDA/JEDEC JS-001, all pins <sup>(1)</sup> , B Port	-15	15	
		Charged device model (CDM), per JEDEC specification JESD22-C101, all pins <sup>(2)</sup> , A Port		1	
		Charged device model (CDM), per JEDEC specification JESD22-C101, all pins <sup>(2)</sup> , A Port (YZP Package only)	-8	8	
		Charged device model (CDM), per JEDEC specification JESD22-C101, all pins <sup>(2)</sup> , B Port		1	

- (1) JEDEC document JEP155 states that 500V HBM allows safe manufacturing with a standard ESD control process.
- (2) JEDEC document JEP157 states that 250V CDM allows safe manufacturing with a standard ESD control process.

### 5.3 Recommended Operating Conditions

over operating free-air temperature range (unless otherwise noted) <sup>(1) (2)</sup>

			V <sub>CCA</sub>	V <sub>CCB</sub>	MIN	MAX	UNIT
V <sub>CCA</sub>	Supply voltage				1.2	3.6	V
V <sub>CCB</sub>					1.65	5.5	
V <sub>IH</sub>	High-level input voltage	Data inputs	1.2V to 3.6V	1.65V to 5.5V	V <sub>CCI</sub> × 0.65 <sup>(3)</sup>	V <sub>CCI</sub>	V
		OE			V <sub>CCA</sub> × 0.65	5.5	
V <sub>IL</sub>	Low-level input voltage	Data inputs	1.2V to 5.5V	1.65V to 5.5V	0	V <sub>CCI</sub> × 0.35 <sup>(3)</sup>	V
		OE			1.2V to 3.6V	0	
Δt/Δv	Input transition rise or fall rate	A-port inputs	1.2V to 3.6V	1.65V to 5.5V		40	ns/V
		B-port inputs	1.2V to 3.6V	1.65V to 3.6V		40	
				4.5V to 5.5V		30	

over operating free-air temperature range (unless otherwise noted) <sup>(1)</sup> <sup>(2)</sup>

		V <sub>CCA</sub>	V <sub>CCB</sub>	MIN	MAX	UNIT
T <sub>A</sub>	Operating free-air temperature			-40	85	°C

- (1) The A and B sides of an unused data I/O pair must be held in the same state, i.e., both at V<sub>CCI</sub> or both at GND.
- (2) V<sub>CCA</sub> must be less than or equal to V<sub>CCB</sub> and must not exceed 3.6V.
- (3) V<sub>CCI</sub> is the supply voltage associated with the input port.

## 5.4 Thermal Information

THERMAL METRIC <sup>(1)</sup>		TXB0108										UNIT
		PW	RGY	DQS	YZP	GXY	ZXY	NME	RUK	DGS	RKS	
		20 PINS										
R <sub>θJA</sub>	Junction-to-ambient thermal resistance	101.8	35.3	108.5	66.2	156.7	156.7	131.4	56.4	111.9	58.8	°C/W
R <sub>θJC(top)</sub>	Junction-to-case (top) thermal resistance	35.5	42.1	32.3	0.4	39.9	39.9	56.5	59.1	51.5	63.9	°C/W
R <sub>θJB</sub>	Junction-to-board thermal resistance	52.8	11.1	42.4	52.0	85.9	85.9	83.2	30.5	67	31.6	°C/W
ψ <sub>JT</sub>	Junction-to-top characterization parameter	2.2	0.7	0.7	1.5	1.1	1.1	1.5	2.7	3.7	5.9	°C/W
ψ <sub>JB</sub>	Junction-to-board characterization parameter	52.2	11.2	42	51.9	85.4	85.4	82.6	30.5	66.2	31.6	°C/W
R <sub>θJC(bot)</sub>	Junction-to-case (bottom) thermal resistance	–	3.8	–	–	–	–	–	15.1	–	15.3	°C/W

- (1) For more information about traditional and new thermal metrics, see the [IC Package Thermal Metrics](#) application report.

## 5.5 Electrical Characteristics (DGS/RUK/RKS)

over recommended operating free-air temperature range (unless otherwise noted) <sup>(1)</sup> <sup>(2)</sup>

PARAMETER	TEST CONDITIONS	V <sub>CCA</sub>	V <sub>CCB</sub>	T <sub>A</sub> = 25°C			-40°C to 85°C		UNIT	
				MIN	TYP	MAX	MIN	MAX		
V <sub>OHA</sub>	I <sub>OH</sub> = -20μA	1.2V		1.1			V <sub>CCA</sub> - 0.4		V	
		1.4V to 3.6V								
V <sub>OLA</sub>	I <sub>OL</sub> = 20μA	1.2V		0.3			0.4		V	
		1.4V to 3.6V								
V <sub>OHB</sub>	I <sub>OH</sub> = -20 μA		1.65V to 5.5V				V <sub>CCB</sub> - 0.4		V	
V <sub>OLB</sub>	I <sub>OL</sub> = 20μA		1.65V to 5.5V				0.4		V	
I <sub>I</sub>	OE	1.2V to 3.6V	1.65V to 5.5V	±1			±2		μA	
I <sub>off</sub>	A port	0V	0V to 5.5V	±1			±2		μA	
	B port	0V to 3.6V	0V	±1			±2			
I <sub>OZ</sub>	A or B port	OE = GND	1.2V to 3.6V	1.65V to 5.5V	±1			±2		μA
I <sub>CCA</sub>	V <sub>I</sub> = V <sub>CCI</sub> or GND, I <sub>O</sub> = 0	1.2V	1.65V to 5.5V	0.45			5		μA	
		1.4V to 3.6V								
		3.6V	0V				2			
		0V	5.5V				-2			
I <sub>CCB</sub>	V <sub>I</sub> = V <sub>CCI</sub> or GND, I <sub>O</sub> = 0	1.2V	1.65V to 5.5V	3.4			5		μA	
		1.4V to 3.6V								
		3.6V	0V				-2			
		0V	5.5V				2			
I <sub>CCA</sub> + I <sub>CCB</sub>	V <sub>I</sub> = V <sub>CCI</sub> or GND, I <sub>O</sub> = 0	1.2V	1.65V to 5.5V	3.5			10		μA	
		1.4V to 3.6V								

over recommended operating free-air temperature range (unless otherwise noted)<sup>(1) (2)</sup>

PARAMETER	TEST CONDITIONS	V <sub>CCA</sub>	V <sub>CCB</sub>	T <sub>A</sub> = 25°C			–40°C to 85°C		UNIT
				MIN	TYP	MAX	MIN	MAX	
I <sub>CCZA</sub>	V <sub>I</sub> = V <sub>CC1</sub> or GND, I <sub>O</sub> = 0, OE = GND	1.2V	1.65V to 5.5V	0.05					μA
		1.4V to 3.6V					5		
I <sub>CCZB</sub>	V <sub>I</sub> = V <sub>CC1</sub> or GND, I <sub>O</sub> = 0, OE = GND	1.2V	1.65V to 5.5V	3.3					μA
		1.4V to 3.6V					5		
C <sub>I</sub>	OE	1.2V to 3.6V	1.65V to 5.5V	5			6.5	pF	
C <sub>io</sub>	A port	1.2V to 3.6V	1.65V to 5.5V	5			6.5	pF	
	B port			8			13.3		

(1) V<sub>CC1</sub> is the supply voltage associated with the input port.

(2) V<sub>CC0</sub> is the supply voltage associated with the output port.

## 5.6 Electrical Characteristics (Other Packages)

over recommended operating free-air temperature range (unless otherwise noted)<sup>(1) (2)</sup>

PARAMETER	TEST CONDITIONS	V <sub>CCA</sub>	V <sub>CCB</sub>	T <sub>A</sub> = 25°C			–40°C to 85°C		UNIT
				MIN	TYP	MAX	MIN	MAX	
V <sub>OHA</sub>	I <sub>OH</sub> = –20μA	1.2V		1.1			V <sub>CCA</sub> – 0.4		V
		1.4V to 3.6V							
V <sub>OLA</sub>	I <sub>OL</sub> = 20μA	1.2V		0.3					V
		1.4V to 3.6V					0.4		
V <sub>OHB</sub>	I <sub>OH</sub> = –20μA		1.65V to 5.5V				V <sub>CCB</sub> – 0.4	V	
V <sub>OLB</sub>	I <sub>OL</sub> = 20μA		1.65 V to 5.5 V				0.4	V	
I <sub>I</sub>	OE	1.2V to 3.6V	1.65V to 5.5V	±1			±2	μA	
I <sub>off</sub>	A port	0V	0V to 5.5V	±1			±2	μA	
	B port	0V to 3.6V	0V	±1			±2		
I <sub>OZ</sub>	A or B port	OE = GND	1.2V to 3.6V	1.65V to 5.5V	±1			±2	μA
I <sub>CCA</sub>	V <sub>I</sub> = V <sub>CC1</sub> or GND, I <sub>O</sub> = 0	1.2V	1.65V to 5.5V	0.06					μA
		1.4V to 3.6V					5		
		3.6V	0V				2		
		0V	5.5V				–2		
I <sub>CCB</sub>	V <sub>I</sub> = V <sub>CC1</sub> or GND, I <sub>O</sub> = 0	1.2V	1.65V to 5.5V	3.4					μA
		1.4V to 3.6V					5		
		3.6V	0V				–2		
		0V	5.5V				2		
I <sub>CCA</sub> + I <sub>CCB</sub>	V <sub>I</sub> = V <sub>CC1</sub> or GND, I <sub>O</sub> = 0	1.2V	1.65V to 5.5V	3.5					μA
		1.4V to 3.6V					10		
I <sub>CCZA</sub>	V <sub>I</sub> = V <sub>CC1</sub> or GND, I <sub>O</sub> = 0, OE = GND	1.2V	1.65V to 5.5V	0.05					μA
		1.4V to 3.6V					5		
I <sub>CCZB</sub>	V <sub>I</sub> = V <sub>CC1</sub> or GND, I <sub>O</sub> = 0, OE = GND	1.2V	1.65V to 5.5V	3.3					μA
		1.4V to 3.6V					5		
C <sub>I</sub>	OE	1.2V to 3.6V	1.65V to 5.5V	5			5.5	pF	
C <sub>io</sub>	A port	1.2V to 3.6V	1.65V to 5.5V	5			6.5	pF	
	B port			8			10		

(1) V<sub>CC1</sub> is the supply voltage associated with the input port.

(2) V<sub>CC0</sub> is the supply voltage associated with the output port.



### 5.7 Timing Requirements: $V_{CCA} = 1.2V$

$T_A = 25^\circ C$ ,  $V_{CCA} = 1.2V$

			$V_{CCB} = 1.8V$		$V_{CCB} = 2.5V$		$V_{CCB} = 3.3V$		$V_{CCB} = 5V$		UNIT
			TYP	TYP	TYP	TYP	TYP	TYP			
Data rate			20	20	20	20	20	20	20		Mbps
$t_w$	Pulse duration	Data inputs	50	50	50	50	50	50	50		ns

### 5.8 Timing Requirements: $V_{CCA} = 1.5V \pm 0.1V$

over recommended operating free-air temperature range,  $V_{CCA} = 1.5V \pm 0.1V$  (unless otherwise noted)

			$V_{CCB} = 1.8V \pm 0.15V$		$V_{CCB} = 2.5V \pm 0.2V$		$V_{CCB} = 3.3V \pm 0.3V$		$V_{CCB} = 5V \pm 0.5V$		UNIT
			MIN	MAX	MIN	MAX	MIN	MAX	MIN	MAX	
Data rate			50		50		50		50		Mbps
$t_w$	Pulse duration	Data inputs	20		20		20		20		ns

### 5.9 Timing Requirements: $V_{CCA} = 1.8V \pm 0.15V$

over recommended operating free-air temperature range,  $V_{CCA} = 1.8V \pm 0.15V$  (unless otherwise noted)

			$V_{CCB} = 1.8V \pm 0.15V$		$V_{CCB} = 2.5V \pm 0.2V$		$V_{CCB} = 3.3V \pm 0.3V$		$V_{CCB} = 5V \pm 0.5V$		UNIT
			MIN	MAX	MIN	MAX	MIN	MAX	MIN	MAX	
Data rate			52		60		60		60		Mbps
$t_w$	Pulse duration	Data inputs	19		17		17		17		ns

### 5.10 Timing Requirements: $V_{CCA} = 2.5V \pm 0.2V$

over recommended operating free-air temperature range,  $V_{CCA} = 2.5V \pm 0.2V$  (unless otherwise noted)

			$V_{CCB} = 2.5V \pm 0.2V$		$V_{CCB} = 3.3V \pm 0.3V$		$V_{CCB} = 5V \pm 0.5V$		UNIT
			MIN	MAX	MIN	MAX	MIN	MAX	
Data rate			70		100		100		Mbps
$t_w$	Pulse duration	Data inputs	14		10		10		ns

### 5.11 Timing Requirements: $V_{CCA} = 3.3V \pm 0.3V$

over recommended operating free-air temperature range,  $V_{CCA} = 3.3V \pm 0.3V$  (unless otherwise noted)

			$V_{CCB} = 3.3V \pm 0.3V$		$V_{CCB} = 5V \pm 0.5V$		UNIT
			MIN	MAX	MIN	MAX	
Data rate			100		100		Mbps
$t_w$	Pulse duration	Data inputs	10		10		ns

### 5.12 Switching Characteristics: $V_{CCA} = 1.2V$ (DGS/RUK/RKS)

$T_A = 25^\circ C$ ,  $V_{CCA} = 1.2V$

PARAMETER	FROM (INPUT)	TO (OUTPUT)	$V_{CCB} = 1.8V$		$V_{CCB} = 2.5V$		$V_{CCB} = 3.3V$		$V_{CCB} = 5V$		UNIT
			TYP	TYP	TYP	TYP	TYP	TYP			
$t_{pd}$	A	B	9.5		7.9		7.6		8.5		ns
	B	A	9.2		8.8		8.4		8		
$t_{en}$	OE	A	1		1		1		1		$\mu s$
		B	1		1		1		1		

$T_A = 25^\circ\text{C}$ ,  $V_{CCA} = 1.2\text{V}$ 

PARAMETER	FROM (INPUT)	TO (OUTPUT)	$V_{CCB} = 1.8\text{V}$	$V_{CCB} = 2.5\text{V}$	$V_{CCB} = 3.3\text{V}$	$V_{CCB} = 5\text{V}$	UNIT
			TYP	TYP	TYP	TYP	
$t_{dis}$	OE	A	392	392	392	392	ns
		B	392	392	392	392	
$t_{rA}$ , $t_{fA}$	A-port rise and fall times		4.1	4.4	4.1	3.9	ns
$t_{rB}$ , $t_{fB}$	B-port rise and fall times		5	5	5.1	5.1	ns
$t_{SK(O)}$	Channel-to-channel skew		2.4	1.7	1.9	7	ns
Max data rate			20	20	20	20	Mbps

### 5.13 Switching Characteristics: $V_{CCA} = 1.2\text{V}$ (Other Packages)

 $T_A = 25^\circ\text{C}$ ,  $V_{CCA} = 1.2\text{V}$ 

PARAMETER	FROM (INPUT)	TO (OUTPUT)	$V_{CCB} = 1.8\text{V}$	$V_{CCB} = 2.5\text{V}$	$V_{CCB} = 3.3\text{V}$	$V_{CCB} = 5\text{V}$	UNIT
			TYP	TYP	TYP	TYP	
$t_{pd}$	A	B	9.5	7.9	7.6	8.5	ns
	B	A	9.2	8.8	8.4	8	
$t_{en}$	OE	A	1	1	1	1	$\mu\text{s}$
		B	1	1	1	1	
$t_{dis}$	OE	A	20	17	17	18	ns
		B	20	16	15	15	
$t_{rA}$ , $t_{fA}$	A-port rise and fall times		4.1	4.4	4.1	3.9	ns
$t_{rB}$ , $t_{fB}$	B-port rise and fall times		5	5	5.1	5.1	ns
$t_{SK(O)}$	Channel-to-channel skew		2.4	1.7	1.9	7	ns
Max data rate			20	20	20	20	Mbps

### 5.14 Switching Characteristics: $V_{CCA} = 1.5\text{V} \pm 0.1\text{V}$ (DGS/RUK/RKS)

 over recommended operating free-air temperature range,  $V_{CCA} = 1.5\text{V} \pm 0.1\text{V}$  (unless otherwise noted)

PARAMETER	FROM (INPUT)	TO (OUTPUT)	$V_{CCB} = 1.8\text{V} \pm 0.15\text{V}$		$V_{CCB} = 2.5\text{V} \pm 0.2\text{V}$		$V_{CCB} = 3.3\text{V} \pm 0.3\text{V}$		$V_{CCB} = 5\text{V} \pm 0.5\text{V}$		UNIT
			MIN	MAX	MIN	MAX	MIN	MAX	MIN	MAX	
$t_{pd}$	A	B	1.4	12.9	1.2	10.1	1.1	10	0.8	9.9	ns
	B	A	0.9	14.2	0.7	12	0.4	11.7	0.3	13.7	
$t_{en}$	OE	A		1		1		1		1	$\mu\text{s}$
		B		1		1		1		1	
$t_{dis}$	OE	A	278	390	236	305	236	305	236	305	ns
		B	278	390	236	305	236	305	236	305	
$t_{rA}$ , $t_{fA}$	A-port rise and fall times		0.8	6.5	0.8	6.3	0.8	6.3	0.8	6.3	ns
$t_{rB}$ , $t_{fB}$	B-port rise and fall times		1	7.3	0.7	4.9	0.7	4.6	0.6	4.6	ns
$t_{SK(O)}$	Channel-to-channel skew			2.6		1.9		1.6		1.3	ns
Max data rate			50		50		50		50		Mbps

### 5.15 Switching Characteristics: $V_{CCA} = 1.5V \pm 0.1V$ (Other Packages)

over recommended operating free-air temperature range,  $V_{CCA} = 1.5V \pm 0.1V$  (unless otherwise noted)

PARAMETER	FROM (INPUT)	TO (OUTPUT)	$V_{CCB} = 1.8V \pm 0.15V$		$V_{CCB} = 2.5V \pm 0.2V$		$V_{CCB} = 3.3V \pm 0.3V$		$V_{CCB} = 5V \pm 0.5V$		UNIT
			MIN	MAX	MIN	MAX	MIN	MAX	MIN	MAX	
$t_{pd}$	A	B	1.4	12.9	1.2	10.1	1.1	10	0.8	9.9	ns
	B	A	0.9	14.2	0.7	12	0.4	11.7	0.3	13.7	
$t_{en}$	OE	A		1		1		1		1	$\mu s$
		B		1		1		1		1	
$t_{dis}$	OE	A	6.6	33	6.4	25.3	6.1	23.1	5.9	24.6	ns
		B	6.6	35.6	5.8	25.6	5.5	22.1	5.6	20.6	
$t_{rA}, t_{fA}$	A-port rise and fall times		0.8	6.5	0.8	6.3	0.8	6.3	0.8	6.3	ns
$t_{rB}, t_{fB}$	B-port rise and fall times		1	7.3	0.7	4.9	0.7	4.6	0.6	4.6	ns
$t_{SK(O)}$	Channel-to-channel skew			2.6		1.9		1.6		1.3	ns
Max data rate			50		50		50		50		Mbps

### 5.16 Switching Characteristics: $V_{CCA} = 1.8V \pm 0.15V$ (DGS/RUK/RKS)

over recommended operating free-air temperature range,  $V_{CCA} = 1.8V \pm 0.15V$  (unless otherwise noted)

PARAMETER	FROM (INPUT)	TO (OUTPUT)	$V_{CCB} = 1.8V \pm 0.15V$		$V_{CCB} = 2.5V \pm 0.2V$		$V_{CCB} = 3.3V \pm 0.3V$		$V_{CCB} = 5V \pm 0.5V$		UNIT
			MIN	MAX	MIN	MAX	MIN	MAX	MIN	MAX	
$t_{pd}$	A	B	1.6	11	1.4	7.7	1.3	6.8	1.2	6.5	ns
	B	A	1.5	12	1.2	8.4	0.8	7.6	0.5	7.1	
$t_{en}$	OE	A		1		1		1		1	$\mu s$
		B		1		1		1		1	
$t_{dis}$	OE	A	278	389	191	253	190	248	189	248	ns
		B	278	389	191	253	190	248	189	248	
$t_{rA}, t_{fA}$	A-port rise and fall times		0.7	5.1	0.7	5	1	5	0.7	5	ns
$t_{rB}, t_{fB}$	B-port rise and fall times		1	7.3	0.7	5	0.7	3.9	0.6	3.8	ns
$t_{SK(O)}$	Channel-to-channel skew			0.8		0.7		0.6		0.6	ns
Max data rate			52		60		60		60		Mbps

### 5.17 Switching Characteristics: $V_{CCA} = 1.8V \pm 0.15V$ (Other Packages)

over recommended operating free-air temperature range,  $V_{CCA} = 1.8V \pm 0.15V$  (unless otherwise noted)

PARAMETER	FROM (INPUT)	TO (OUTPUT)	$V_{CCB} = 1.8V \pm 0.15V$		$V_{CCB} = 2.5V \pm 0.2V$		$V_{CCB} = 3.3V \pm 0.3V$		$V_{CCB} = 5V \pm 0.5V$		UNIT
			MIN	MAX	MIN	MAX	MIN	MAX	MIN	MAX	
$t_{pd}$	A	B	1.6	11	1.4	7.7	1.3	6.8	1.2	6.5	ns
	B	A	1.5	12	1.2	8.4	0.8	7.6	0.5	7.1	
$t_{en}$	OE	A		1		1		1		1	$\mu s$
		B		1		1		1		1	
$t_{dis}$	OE	A	5.9	26.7	5.6	21.6	5.4	18.9	4.8	18.7	ns
		B	6.1	33.9	5.2	23.7	5	19.9	5	17.6	
$t_{rA}, t_{fA}$	A-port rise and fall times		0.7	5.1	0.7	5	1	5	0.7	5	ns
$t_{rB}, t_{fB}$	B-port rise and fall times		1	7.3	0.7	5	0.7	3.9	0.6	3.8	ns
$t_{SK(O)}$	Channel-to-channel skew			0.8		0.7		0.6		0.6	ns

over recommended operating free-air temperature range,  $V_{CCA} = 1.8V \pm 0.15V$  (unless otherwise noted)

PARAMETER	FROM (INPUT)	TO (OUTPUT)	$V_{CCB} = 1.8V \pm 0.15V$		$V_{CCB} = 2.5V \pm 0.2V$		$V_{CCB} = 3.3V \pm 0.3V$		$V_{CCB} = 5V \pm 0.5V$		UNIT
			MIN	MAX	MIN	MAX	MIN	MAX	MIN	MAX	
Max data rate			52		60		60		60		Mbps

### 5.18 Switching Characteristics: $V_{CCA} = 2.5V \pm 0.2V$ (DGS/RUK/RKS)

over recommended operating free-air temperature range,  $V_{CCA} = 2.5V \pm 0.2V$  (unless otherwise noted)

PARAMETER	FROM (INPUT)	TO (OUTPUT)	$V_{CCB} = 2.5V \pm 0.2V$		$V_{CCB} = 3.3V \pm 0.3V$		$V_{CCB} = 5V \pm 0.5V$		UNIT
			MIN	MAX	MIN	MAX	MIN	MAX	
$t_{pd}$	A	B	1.1	6.4	1	5.3	0.9	4.7	ns
	B	A	1	7	0.6	5.6	0.3	4.4	
$t_{en}$	OE	A		1		1		1	$\mu s$
		B		1		1		1	
$t_{dis}$	OE	A	190	252	137	184	133	169	ns
		B	190	252	137	184	133	169	
$t_{rA}, t_{fA}$	A-port rise and fall times		0.8	3.6	0.6	3.6	0.5	3.5	ns
$t_{rB}, t_{fB}$	B-port rise and fall times		0.6	4.9	0.7	3.9	0.6	3.2	ns
$t_{SK(O)}$	Channel-to-channel skew			0.4		0.3		0.3	ns
Max data rate			70		100		100		Mbps

### 5.19 Switching Characteristics: $V_{CCA} = 2.5V \pm 0.2V$ (Other Packages)

over recommended operating free-air temperature range,  $V_{CCA} = 2.5V \pm 0.2V$  (unless otherwise noted)

PARAMETER	FROM (INPUT)	TO (OUTPUT)	$V_{CCB} = 2.5V \pm 0.2V$		$V_{CCB} = 3.3V \pm 0.3V$		$V_{CCB} = 5V \pm 0.5V$		UNIT
			MIN	MAX	MIN	MAX	MIN	MAX	
$t_{pd}$	A	B	1.1	6.4	1	5.3	0.9	4.7	ns
	B	A	1	7	0.6	5.6	0.3	4.4	
$t_{en}$	OE	A		1		1		1	$\mu s$
		B		1		1		1	
$t_{dis}$	OE	A	5	16.9	4.9	15	4.5	13.8	ns
		B	4.8	21.8	4.5	17.9	4.4	15.2	
$t_{rA}, t_{fA}$	A-port rise and fall times		0.8	3.6	0.6	3.6	0.5	3.5	ns
$t_{rB}, t_{fB}$	B-port rise and fall times		0.6	4.9	0.7	3.9	0.6	3.2	ns
$t_{SK(O)}$	Channel-to-channel skew			0.4		0.3		0.3	ns
Max data rate			70		100		100		Mbps

### 5.20 Switching Characteristics: $V_{CCA} = 3.3V \pm 0.3V$ (DGS/RUK/RKS)

over recommended operating free-air temperature range,  $V_{CCA} = 3.3V \pm 0.3V$  (unless otherwise noted)

PARAMETER	FROM (INPUT)	TO (OUTPUT)	$V_{CCB} = 3.3V \pm 0.3V$		$V_{CCB} = 5V \pm 0.5V$		UNIT
			MIN	MAX	MIN	MAX	
$t_{pd}$	A	B	0.9	4.9	0.8	4	ns
	B	A	0.5	5.4	0.2	4	
$t_{en}$	OE	A		1		1	$\mu s$
		B		1		1	

over recommended operating free-air temperature range,  $V_{CCA} = 3.3V \pm 0.3V$  (unless otherwise noted)

PARAMETER	FROM (INPUT)	TO (OUTPUT)	$V_{CCB} = 3.3V \pm 0.3V$		$V_{CCB} = 5V \pm 0.5V$		UNIT
			MIN	MAX	MIN	MAX	
$t_{dis}$	OE	A	137	183	97.6	127	ns
		B	137	183	97.6	127	
$t_{rA}, t_{fA}$	A-port rise and fall times		0.5	3	0.5	3	ns
$t_{rB}, t_{fB}$	B-port rise and fall times		0.7	3.9	0.6	3.2	ns
$t_{SK(O)}$	Channel-to-channel skew		0.4		0.3		ns
Max data rate			100		100		Mbps

### 5.21 Switching Characteristics: $V_{CCA} = 3.3V \pm 0.3V$ (Other Packages)

over recommended operating free-air temperature range,  $V_{CCA} = 3.3V \pm 0.3V$  (unless otherwise noted)

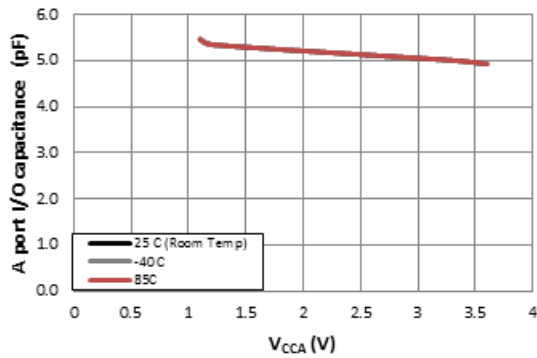
PARAMETER	FROM (INPUT)	TO (OUTPUT)	$V_{CCB} = 3.3V \pm 0.3V$		$V_{CCB} = 5V \pm 0.5V$		UNIT
			MIN	MAX	MIN	MAX	
$t_{pd}$	A	B	0.9	4.9	0.8	4	ns
	B	A	0.5	5.4	0.2	4	
$t_{en}$	OE	A	1		1		$\mu s$
		B	1		1		
$t_{dis}$	OE	A	4.5	13.9	4.1	12.4	ns
		B	4.1	17.3	4	14.4	
$t_{rA}, t_{fA}$	A-port rise and fall times		0.5	3	0.5	3	ns
$t_{rB}, t_{fB}$	B-port rise and fall times		0.7	3.9	0.6	3.2	ns
$t_{SK(O)}$	Channel-to-channel skew		0.4		0.3		ns
Max data rate			100		100		Mbps

### 5.22 Operating Characteristics

$T_A = 25^\circ C$

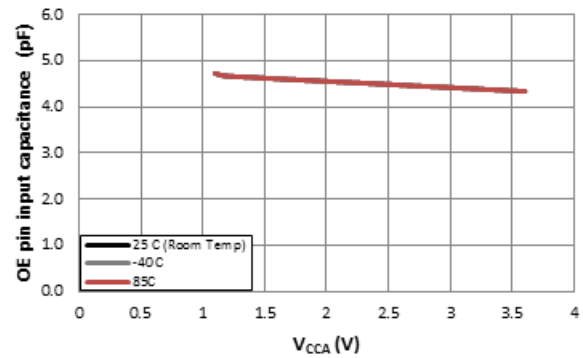
PARAMETER	TEST CONDITIONS	$V_{CCA}$							UNIT	
		1.2V	1.2V	1.5V	1.8V	2.5V	2.5V	3.3V		
		$V_{CCB}$								
		5V	1.8V	1.8V	1.8V	2.5V	5V	3.3V to 5V		
		TYP	TYP	TYP	TYP	TYP	TYP	TYP		
$C_{pdA}$	A-port input, B-port output	$C_L = 0, f = 10MHz,$ $t_r = t_f = 1ns,$ OE = $V_{CCA}$ (outputs enabled)	9	8	7	7	7	7	8	pF
	B-port input, A-port output		12	11	11	11	11	11	11	
$C_{pdB}$	A-port input, B-port output		35	26	27	27	27	27	28	
	B-port input, A-port output		26	19	18	18	18	20	21	
$C_{pdA}$	A-port input, B-port output	$C_L = 0, f = 10MHz,$ $t_r = t_f = 1ns,$ OE = GND (outputs disabled)	0.01	0.01	0.01	0.01	0.01	0.01	0.01	pF
	B-port input, A-port output		0.01	0.01	0.01	0.01	0.01	0.01	0.01	
$C_{pdB}$	A-port input, B-port output		0.01	0.01	0.01	0.01	0.01	0.01	0.03	
	B-port input, A-port output		0.01	0.01	0.01	0.01	0.01	0.01	0.03	

### 5.23 Typical Characteristics



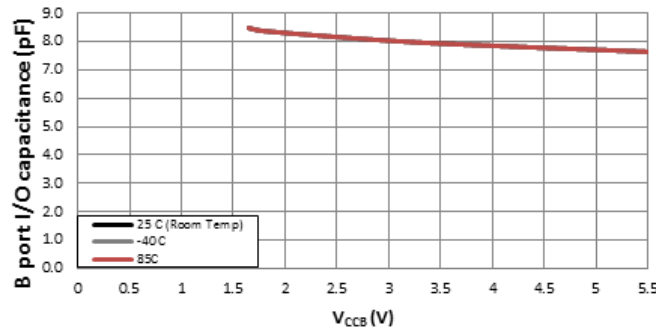
$V_{CCB} = 3.3V$

☒ 5-1. Input Capacitance for OE Pin ( $C_i$ ) vs Power Supply ( $V_{CCA}$ )



$V_{CCB} = 3.3V$

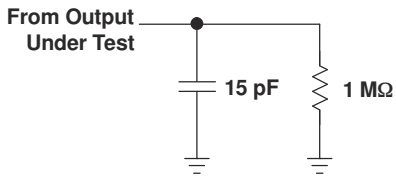
☒ 5-2. Capacitance for A Port I/O Pins ( $C_{IO}$ ) vs Power Supply ( $V_{CCA}$ )



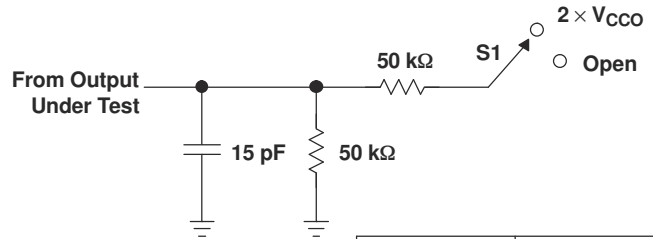
$V_{CCA} = 1.8V$

☒ 5-3. Capacitance for B Port I/O Pins ( $C_{IO}$ ) vs Power Supply ( $V_{CCB}$ )

## 6 Parameter Measurement Information

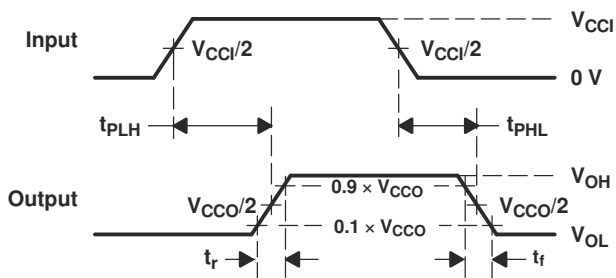


LOAD CIRCUIT FOR MAX DATA RATE,  
PULSE DURATION PROPAGATION  
DELAY OUTPUT RISE AND FALL TIME  
MEASUREMENT

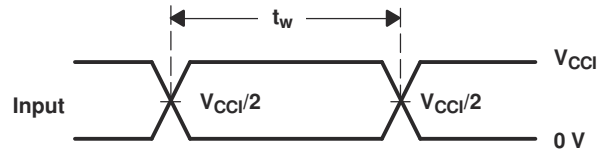


LOAD CIRCUIT FOR  
ENABLE/DISABLE  
TIME MEASUREMENT

TEST	S1
$t_{pZL}/t_{pLZ}$	$2 \times V_{CCO}$
$t_{pHZ}/t_{pZH}$	Open



VOLTAGE WAVEFORMS  
PROPAGATION DELAY TIMES



VOLTAGE WAVEFORMS  
PULSE DURATION

- $C_L$  includes probe and jig capacitance.
- All input pulses are supplied by generators having the following characteristics:  $PRR \leq 10$  MHz,  $Z_O = 50 \Omega$ ,  $dv/dt \geq 1$  V/ns.
- The outputs are measured one at a time, with one transition per measurement.
- $t_{PLH}$  and  $t_{PHL}$  are the same as  $t_{pd}$ .
- $V_{CCI}$  is the  $V_{CC}$  associated with the input port.
- $V_{CCO}$  is the  $V_{CC}$  associated with the output port.
- All parameters and waveforms are not applicable to all devices.

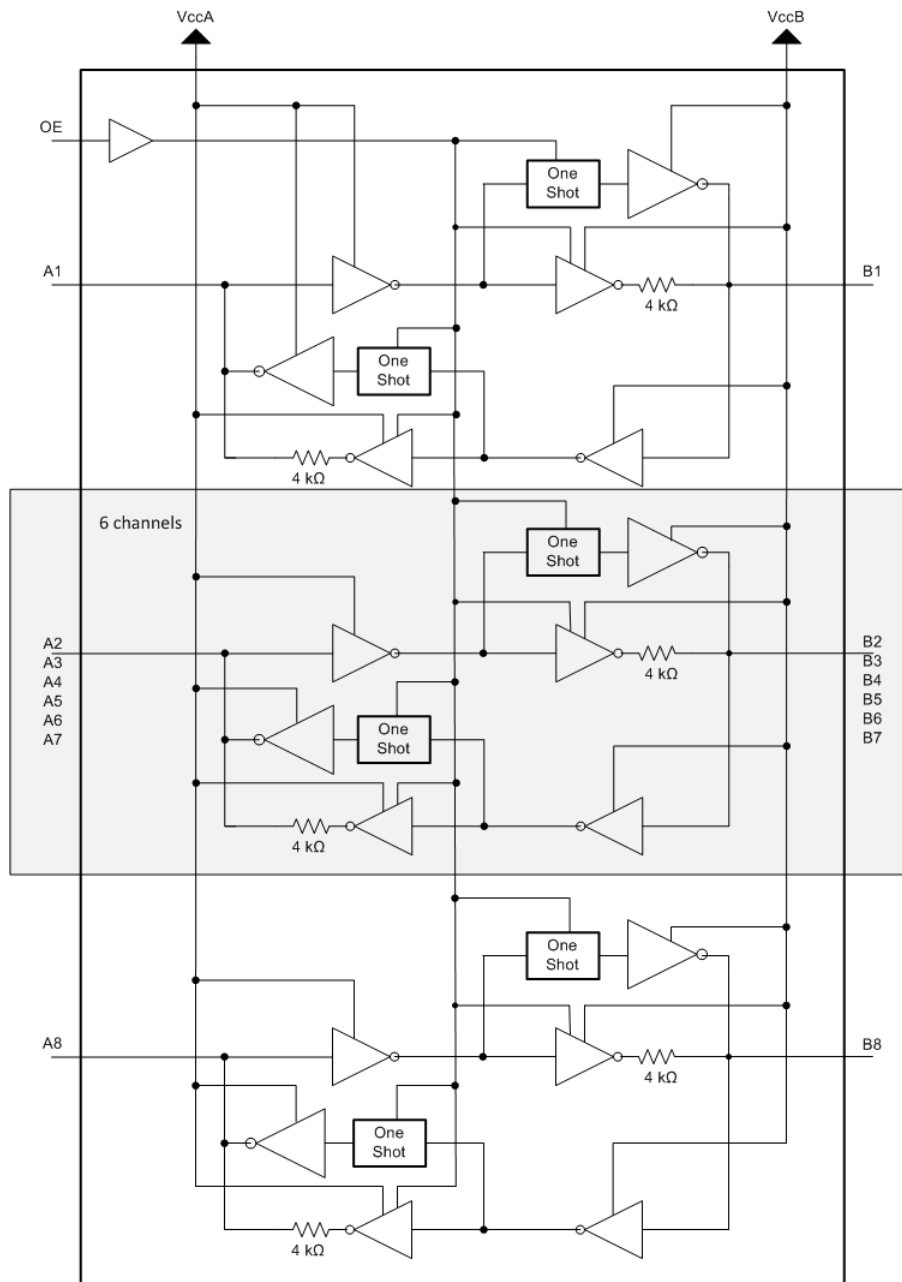
### 6-1. Load Circuits and Voltage Waveforms

## 7 Detailed Description

### 7.1 Overview

The TXB0108 device is an 8-bit, directionless voltage-level translator specifically designed for translating logic voltage levels. The A port is able to accept I/O voltages ranging from 1.2 V to 3.6 V, while the B port can accept I/O voltages from 1.65 V to 5.5 V. The device is a buffered architecture with edge-rate accelerators (one-shots) to improve the overall data rate. This device can only translate push-pull CMOS logic outputs. If for open-drain signal translation, please refer to TI [TXS](#) products.

### 7.2 Functional Block Diagram

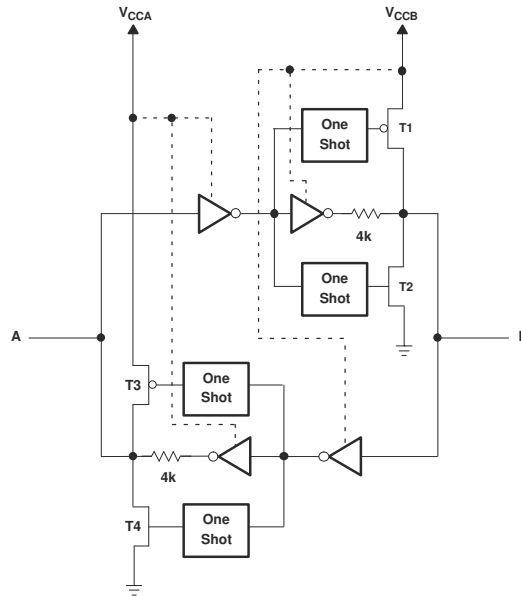




## 7.3 Feature Description

### 7.3.1 Architecture

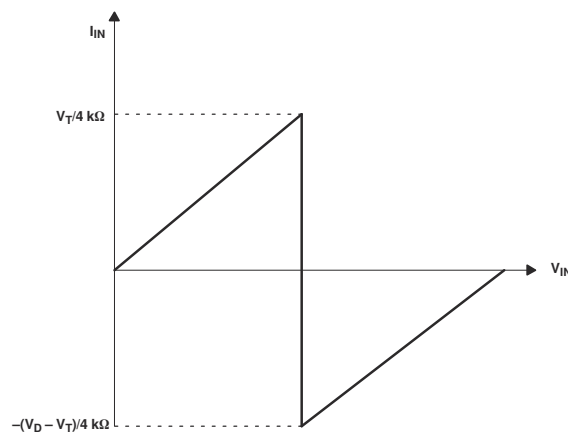
The TXB0108 architecture (see [Figure 7-1](#)) does not require a direction-control signal to control the direction of data flow from A to B or from B to A. In a dc state, the output drivers of the TXB0108 can maintain a high or low, but are designed to be weak so that they can be overdriven by an external driver when data on the bus starts flowing the opposite direction. The output one-shots detect rising or falling edges on the A or B ports. During a rising edge, the one-shot turns on the PMOS transistors (T1, T3) for a short duration, which speeds up the low-to-high transition. Similarly, during a falling edge, the one-shot turns on the NMOS transistors (T2, T4) for a short duration, which speeds up the high-to-low transition. The typical output impedance during output transition is 70  $\Omega$  at  $V_{CCO} = 1.2\text{ V}$  to 1.8 V, 50  $\Omega$  at  $V_{CCO} = 1.8\text{ V}$  to 3.3 V and 40  $\Omega$  at  $V_{CCO} = 3.3\text{ V}$  to 5 V.



**Figure 7-1. Architecture of TXB0108 I/O Cell**

### 7.3.2 Input Driver Requirements

Typical  $I_{IN}$  vs  $V_{IN}$  characteristics of the TXB0108 are shown in [Figure 7-2](#). For proper operation, the device driving the data I/Os of the TXB0108 must have drive strength of at least  $\pm 2\text{ mA}$ .



A.  $V_T$  is the input threshold voltage of the TXB0108 (typically  $V_{CC}/2$ ).  
 B.  $V_D$  is the supply voltage of the external driver.

**Figure 7-2. Typical  $I_{IN}$  vs  $V_{IN}$  Curve**

### 7.3.3 Output Load Considerations

TI recommends careful PCB layout practices with short PCB trace lengths to avoid excessive capacitive loading and to ensure that proper O.S. triggering takes place. PCB signal trace-lengths should be kept short enough such that the round-trip delay of any reflection is less than the one-shot duration. This improves signal integrity by ensuring that any reflection sees a low impedance at the driver. The O.S. circuits have been designed to stay on for approximately 10 ns. The maximum capacitance of the lumped load that can be driven also depends directly on the one-shot duration. With very heavy capacitive loads, the one-shot can time-out before the signal is driven fully to the positive rail. The O.S. duration has been set to best optimize trade-offs between dynamic ICC, load driving capability, and maximum bit-rate considerations. Both PCB trace length and connectors add to the capacitance that the TXB0108 output sees, so it is recommended that this lumped-load capacitance be considered to avoid O.S. re-triggering, bus contention, output signal oscillations, or other adverse system-level affects.

### 7.3.4 Enable and Disable

The TXB0108 has an OE input that is used to disable the device by setting OE = low, which places all I/Os in the high-impedance (Hi-Z) state. The disable time (tdis) indicates the delay between when OE goes low and when the outputs actually get disabled (Hi-Z). The enable time (ten) indicates the amount of time the user must allow for the one-shot circuitry to become operational after the OE is high.

### 7.3.5 Pullup or Pulldown Resistors on I/O Lines

The TXB0108 is designed to drive capacitive loads of up to 70 pF. The output drivers of the TXB0108 have low dc drive strength. If pullup or pulldown resistors are connected externally to the data I/Os, their values must be kept higher than 50 k $\Omega$  to ensure that they do not contend with the output drivers of the TXB0108. For the same reason, the TXB0108 should not be used in applications such as I2C or 1-Wire where an open-drain driver is connected on the bidirectional data I/O. For these applications, use a device from the TI TXS01xx series of level translators.

## 7.4 Device Functional Modes

The TXB0108 device has two functional modes, enabled and disabled. To disable the device, set the OE input low, which places all I/Os in a high impedance state. Setting the OE input high will enable the device.

## 8 Application and Implementation

### 注

以下のアプリケーション情報は、TI の製品仕様に含まれるものではなく、TI ではその正確性または完全性を保証いたしません。個々の目的に対する製品の適合性については、お客様の責任で判断していただくこととなります。お客様は自身の設計実装を検証しテストすることで、システムの機能を確認する必要があります。

### 8.1 Application Information

The TXB0108 can be used in level-translation applications for interfacing devices or systems operating at different interface voltages with one another. It can only translate push-pull CMOS logic outputs. If for open-drain signal translation, please refer to TI TXS010X products. Any external pulldown or pullup resistors are recommended to be larger than 50kΩ.

### 8.2 Typical Application

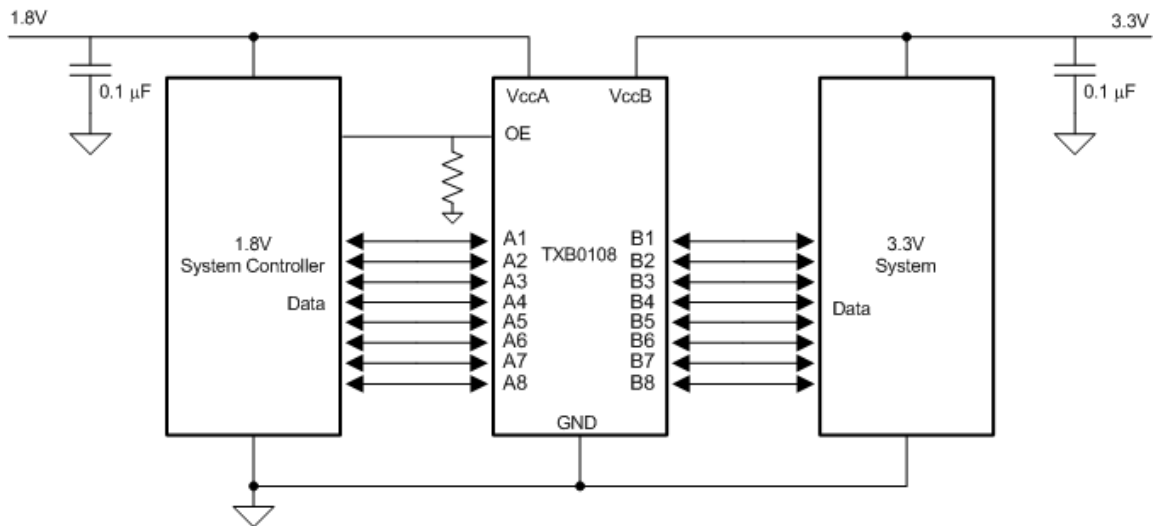


図 8-1. Typical Operating Circuit

#### 8.2.1 Design Requirements

For this design example, use the parameters listed in 表 8-1. Make sure the  $V_{CCA} \leq V_{CCB}$ .

表 8-1. Design Parameters

DESIGN PARAMETER	EXAMPLE VALUE
Input voltage range	1.2 V to 3.6 V
Output voltage range	1.65 V to 5.5 V

#### 8.2.2 Detailed Design Procedure

To begin the design process, determine the following:

- Input voltage range
  - Use the supply voltage of the device that is driving the TXB0108 device to determine the input voltage range. For a valid logic high the value must exceed the  $V_{IH}$  of the input port. For a valid logic low, the value must be less than the  $V_{IL}$  of the input port.
- Output voltage range

- Use the supply voltage of the device that the TXB0108 device is driving to determine the output voltage range.
- Do not recommend having the external pullup or pulldown resistors. If mandatory, it is recommended the value should be larger than 50 k $\Omega$ .
- An external pulldown or pullup resistor decreases the output  $V_{OH}$  and  $V_{OL}$ . Use the below equations to draft estimate the  $V_{OH}$  and  $V_{OL}$  as a result of an external pulldown and pullup resistor.

$$V_{OH} = V_{CCx} \times R_{PD} / (R_{PD} + 4.5 \text{ k}\Omega)$$

$$V_{OL} = V_{CCx} \times 4.5 \text{ k}\Omega / (R_{PU} + 4.5 \text{ k}\Omega)$$

Where:

- $V_{CCx}$  is the output port supply voltage on either  $V_{CCA}$  or  $V_{CCB}$
- $R_{PD}$  is the value of the external pull down resistor
- $R_{PU}$  is the value of the external pull up resistor
- 4.5 k $\Omega$  is the counting the variation of the serial resistor 4 k $\Omega$  in the I/O line. Refer to the [Effects of external pullup and pulldown resistors on TXB](#) application note

### 8.2.3 Application Curves

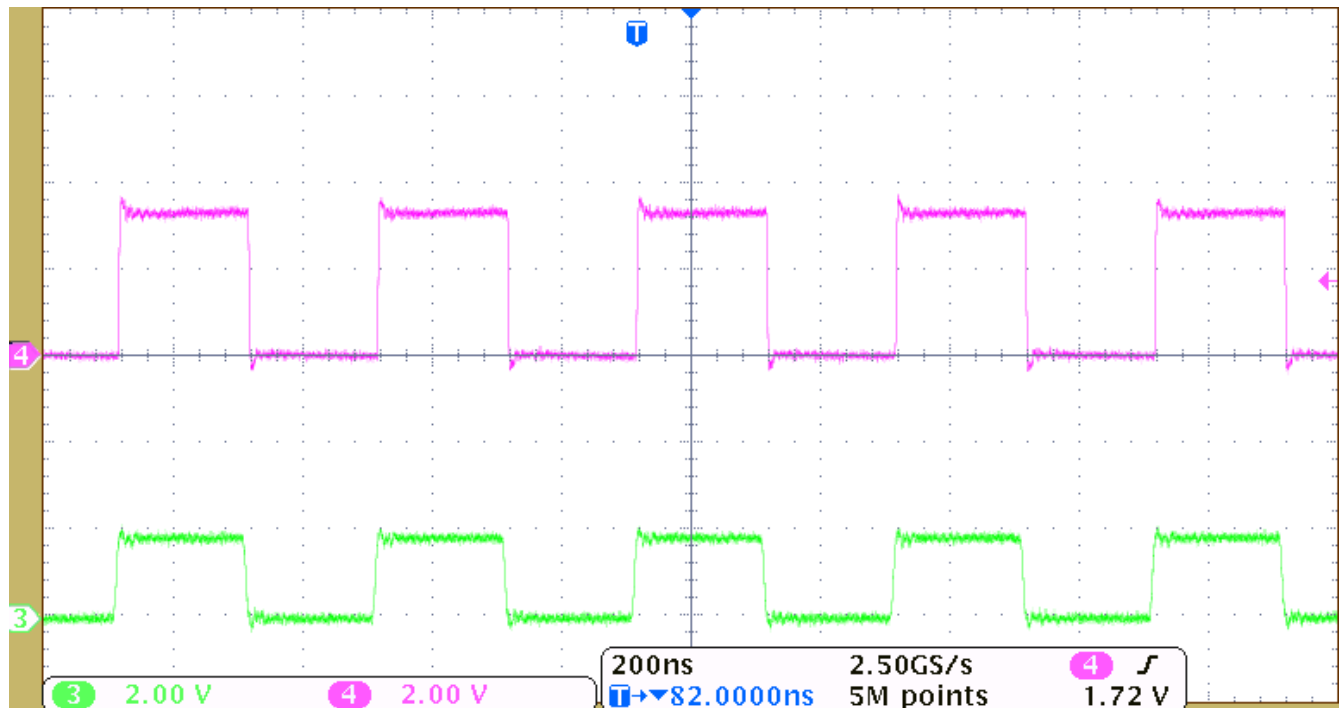


図 8-2. Level-Translation of a 2.5-MHz Signal

## 9 Power Supply Recommendations

During operation, ensure that  $V_{CCA} \leq V_{CCB}$  at all times. During power-up sequencing,  $V_{CCA} \geq V_{CCB}$  does not damage the device, so any power supply can be ramped up first. The TXB0108-Q1 has circuitry that disables all output ports when either VCC is switched off ( $V_{CCA/B} = 0\text{ V}$ ).

The output-enable (OE) input circuit is designed so that it is supplied by  $V_{CCA}$  and when the (OE) input is low, all outputs are placed in the high-impedance state. To ensure the high-impedance state of the outputs during power-up or power-down, the OE input pin must be tied to GND through a pulldown resistor and must not be enabled until  $V_{CCA}$  and  $V_{CCB}$  are fully ramped and stable. The minimum value of the pulldown resistor to ground is determined by the current-sourcing capability of the driver.

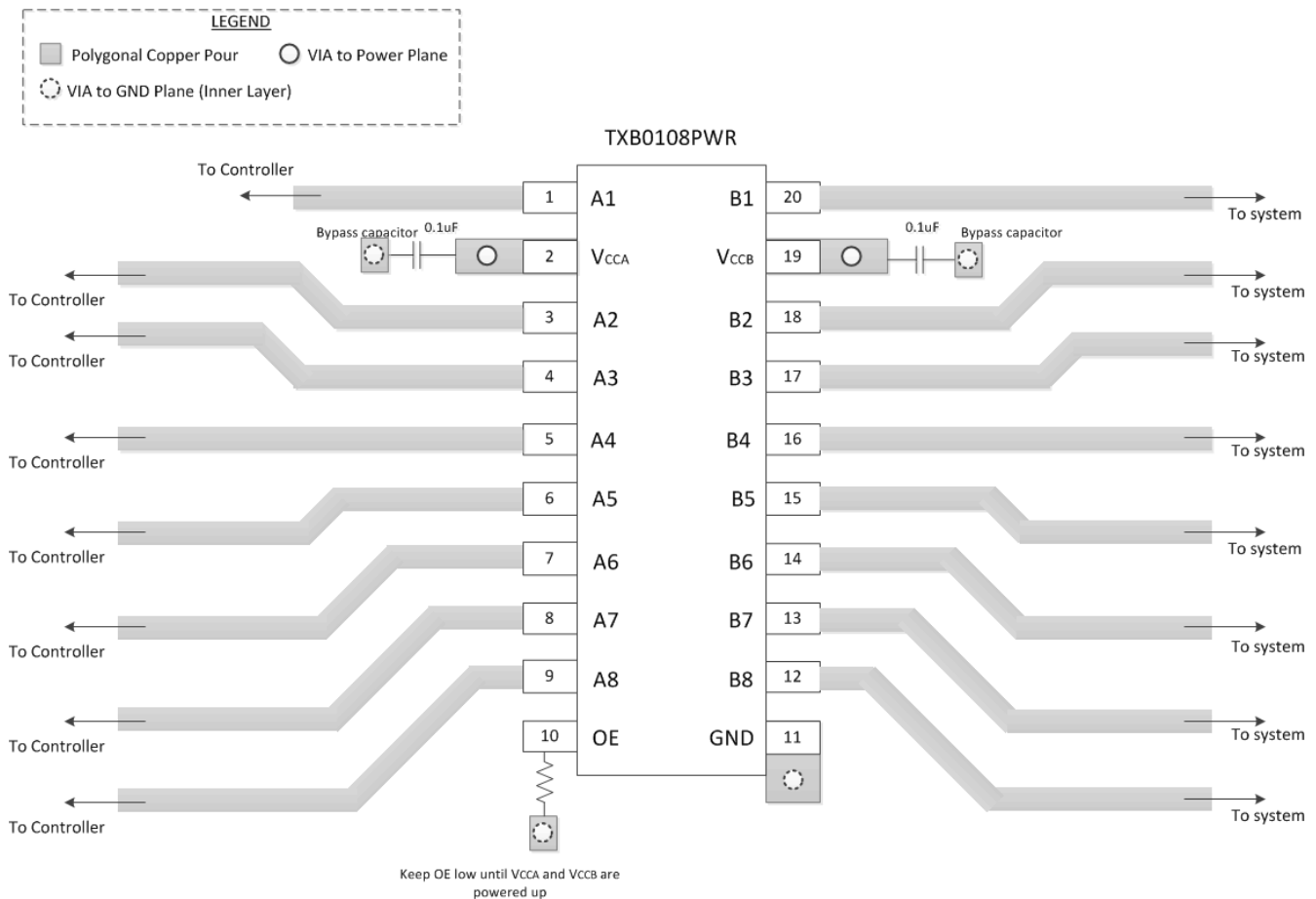
## 10 Layout

### 10.1 Layout Guidelines

To ensure reliability of the device, the following common printed-circuit board layout guidelines is recommended.

- Bypass capacitors should be used on power supplies and should be placed as close as possible to the  $V_{CCA}$ ,  $V_{CCB}$  pin and GND pin.
- Short trace lengths should be used to avoid excessive loading.
- PCB signal trace-lengths must be kept short enough so that the round-trip delay of any reflection is less than the one-shot duration, approximately 10 ns, ensuring that any reflection encounters low impedance at the source driver.

### 10.2 Layout Example



## 11 Device and Documentation Support

### 11.1 ドキュメントの更新通知を受け取る方法

ドキュメントの更新についての通知を受け取るには、[www.tij.co.jp](http://www.tij.co.jp) のデバイス製品フォルダを開いてください。[通知] をクリックして登録すると、変更されたすべての製品情報に関するダイジェストを毎週受け取ることができます。変更の詳細については、改訂されたドキュメントに含まれている改訂履歴をご覧ください。

### 11.2 サポート・リソース

テキサス・インスツルメンツ E2E™ サポート・フォーラムは、エンジニアが検証済みの回答と設計に関するヒントをエキスパートから迅速かつ直接得ることができる場所です。既存の回答を検索したり、独自の質問をしたりすることで、設計に必要な支援を迅速に得ることができます。

リンクされているコンテンツは、各寄稿者により「現状のまま」提供されるものです。これらはテキサス・インスツルメンツの仕様を構成するものではなく、必ずしもテキサス・インスツルメンツの見解を反映したものではありません。テキサス・インスツルメンツの[使用条件](#)を参照してください。

### 11.3 Trademarks

テキサス・インスツルメンツ E2E™ is a trademark of Texas Instruments.

すべての商標は、それぞれの所有者に帰属します。

### 11.4 静電気放電に関する注意事項



この IC は、ESD によって破損する可能性があります。テキサス・インスツルメンツは、IC を取り扱う際には常に適切な注意を払うことを推奨します。正しい取り扱いおよび設置手順に従わない場合、デバイスを破損するおそれがあります。

ESD による破損は、わずかな性能低下からデバイスの完全な故障まで多岐にわたります。精密な IC の場合、パラメータがわずかに変化するだけで公表されている仕様から外れる可能性があるため、破損が発生しやすくなっています。

### 11.5 用語集

[テキサス・インスツルメンツ用語集](#) この用語集には、用語や略語の一覧および定義が記載されています。

## 12 Revision History

資料番号末尾の英字は改訂を表しています。その改訂履歴は英語版に準じています。

Changes from Revision I (December 2024) to Revision J (February 2025)	Page
• 「製品情報」表に DGS および RKS パッケージ オプションを追加.....	1
• Updated thermal information for RUK, DGS and RKS packages.....	7

Changes from Revision H (August 2020) to Revision I (December 2024)	Page
• 「製品情報」表に RUK パッケージ オプションを追加.....	1

Changes from Revision G (December 2018) to Revision H (August 2020)	Page
• ドキュメント全体にわたって表、図、相互参照の採番方法を更新.....	1
• 「製品情報」表に NME パッケージ オプションを追加.....	1
• Added NME package to Pin Assignments table.....	3

Changes from Revision F (November 2014) to Revision G (December 2018)	Page
• Added pinout image for the ZYPR2 package option .....	3

- Added text string 'GRID LOCATOR' to Pin Functions table YZP column to clarify pin location from 'Signal Name' ..... **3**
- 

**Changes from Revision E (April 2012) to Revision F (October 2014) Page**

- 「ピン構成および機能」セクション、「取り扱いに関する定格」の表、「機能説明」セクション、「デバイスの機能モード」セクション、「アプリケーションと実装」セクション、「電源に関する推奨事項」セクション、「レイアウト」セクション、「デバイスおよびドキュメントのサポート」セクション、「メカニカル、パッケージ、および注文情報」セクションを追加..... **1**
- 

**Changes from Revision D (September 2011) to Revision E (April 2012) Page**

- Added notes to pin out graphics..... **3**
- 

**Changes from Revision C (August 2011) to Revision D (September 2011) Page**

- 「特長」に ± 8kV、人体モデル (A114-B) (YZP パッケージのみ) を追加..... **1**
- 

### 13 Mechanical, Packaging, and Orderable Information

The following pages include mechanical, packaging, and orderable information. This information is the most current data available for the designated devices. This data is subject to change without notice and revision of this document. For browser-based versions of this data sheet, refer to the left-hand navigation.

## 重要なお知らせと免責事項

テキサス・インスツルメンツは、技術データと信頼性データ (データシートを含みます)、設計リソース (リファレンス デザインを含みます)、アプリケーションや設計に関する各種アドバイス、Web ツール、安全性情報、その他のリソースを、欠陥が存在する可能性のある「現状のまま」提供しており、商品性および特定目的に対する適合性の黙示保証、第三者の知的財産権の非侵害保証を含むいかなる保証も、明示的または黙示的にかかわらず拒否します。

これらのリソースは、テキサス・インスツルメンツ製品を使用する設計の経験を積んだ開発者への提供を意図したものです。(1) お客様のアプリケーションに適した テキサス・インスツルメンツ製品の選定、(2) お客様のアプリケーションの設計、検証、試験、(3) お客様のアプリケーションに該当する各種規格や、その他のあらゆる安全性、セキュリティ、規制、または他の要件への確実な適合に関する責任を、お客様のみが単独で負うものとします。

上記の各種リソースは、予告なく変更される可能性があります。これらのリソースは、リソースで説明されている テキサス・インスツルメンツ製品を使用するアプリケーションの開発の目的でのみ、テキサス・インスツルメンツはその使用をお客様に許諾します。これらのリソースに関して、他の目的で複製することや掲載することは禁止されています。テキサス・インスツルメンツや第三者の知的財産権のライセンスが付与されている訳ではありません。お客様は、これらのリソースを自身で使用した結果発生するあらゆる申し立て、損害、費用、損失、責任について、テキサス・インスツルメンツおよびその代理人を完全に補償するものとし、テキサス・インスツルメンツは一切の責任を拒否します。

テキサス・インスツルメンツの製品は、[テキサス・インスツルメンツの販売条件](#)、または [ti.com](https://www.ti.com) やかかる テキサス・インスツルメンツ製品の関連資料などのいずれかを通じて提供する適用可能な条項の下で提供されています。テキサス・インスツルメンツがこれらのリソースを提供することは、適用されるテキサス・インスツルメンツの保証または他の保証の放棄の拡大や変更を意味するものではありません。

お客様がいかなる追加条項または代替条項を提案した場合でも、テキサス・インスツルメンツはそれらに異議を唱え、拒否します。

郵送先住所: Texas Instruments, Post Office Box 655303, Dallas, Texas 75265

Copyright © 2025, Texas Instruments Incorporated



**PACKAGING INFORMATION**

Orderable part number	Status (1)	Material type (2)	Package   Pins	Package qty   Carrier	RoHS (3)	Lead finish/ Ball material (4)	MSL rating/ Peak reflow (5)	Op temp (°C)	Part marking (6)
<a href="#">TXB0108DGSR</a>	Active	Production	VSSOP (DGS)   20	5000   LARGE T&R	Yes	NIPDAU	Level-1-260C-UNLIM	-40 to 85	YE08
<a href="#">TXB0108DQSR</a>	Active	Production	USON (DQS)   20	3000   LARGE T&R	Yes	NIPDAUAG	Level-1-260C-UNLIM	-40 to 85	5MR 5MH
<a href="#">TXB0108NMER</a>	Active	Production	NFBGA (NME)   20	2500   LARGE T&R	Yes	SNAGCU	Level-2-260C-1 YEAR	-40 to 85	29WW
<a href="#">TXB0108PWR</a>	Active	Production	TSSOP (PW)   20	2000   LARGE T&R	Yes	NIPDAU	Level-1-260C-UNLIM	-40 to 85	YE08
<a href="#">TXB0108RGYR</a>	Active	Production	VQFN (RGY)   20	3000   LARGE T&R	Yes	NIPDAU	Level-2-260C-1 YEAR	-40 to 85	YE08
<a href="#">TXB0108YZPR</a>	Active	Production	DSBGA (YZP)   20	3000   LARGE T&R	Yes	SNAGCU	Level-1-260C-UNLIM	-40 to 85	5M
<a href="#">TXB0108YZPR2</a>	Active	Production	DSBGA (YZP)   20	3000   LARGE T&R	Yes	SNAGCU	Level-1-260C-UNLIM	-40 to 85	EK
<a href="#">TXB0108ZXYR</a>	Obsolete	Production	BGA MICROSTAR JUNIOR (ZXY)   20	-	-	Call TI	Call TI	-40 to 85	

<sup>(1)</sup> **Status:** For more details on status, see our [product life cycle](#).

<sup>(2)</sup> **Material type:** When designated, preproduction parts are prototypes/experimental devices, and are not yet approved or released for full production. Testing and final process, including without limitation quality assurance, reliability performance testing, and/or process qualification, may not yet be complete, and this item is subject to further changes or possible discontinuation. If available for ordering, purchases will be subject to an additional waiver at checkout, and are intended for early internal evaluation purposes only. These items are sold without warranties of any kind.

<sup>(3)</sup> **RoHS values:** Yes, No, RoHS Exempt. See the [TI RoHS Statement](#) for additional information and value definition.

<sup>(4)</sup> **Lead finish/Ball material:** Parts may have multiple material finish options. Finish options are separated by a vertical ruled line. Lead finish/Ball material values may wrap to two lines if the finish value exceeds the maximum column width.

<sup>(5)</sup> **MSL rating/Peak reflow:** The moisture sensitivity level ratings and peak solder (reflow) temperatures. In the event that a part has multiple moisture sensitivity ratings, only the lowest level per JEDEC standards is shown. Refer to the shipping label for the actual reflow temperature that will be used to mount the part to the printed circuit board.

<sup>(6)</sup> **Part marking:** There may be an additional marking, which relates to the logo, the lot trace code information, or the environmental category of the part.

Multiple part markings will be inside parentheses. Only one part marking contained in parentheses and separated by a "~" will appear on a part. If a line is indented then it is a continuation of the previous line and the two combined represent the entire part marking for that device.

**Important Information and Disclaimer:** The information provided on this page represents TI's knowledge and belief as of the date that it is provided. TI bases its knowledge and belief on information provided by third parties, and makes no representation or warranty as to the accuracy of such information. Efforts are underway to better integrate information from third parties. TI has taken and

continues to take reasonable steps to provide representative and accurate information but may not have conducted destructive testing or chemical analysis on incoming materials and chemicals. TI and TI suppliers consider certain information to be proprietary, and thus CAS numbers and other limited information may not be available for release.

In no event shall TI's liability arising out of such information exceed the total purchase price of the TI part(s) at issue in this document sold by TI to Customer on an annual basis.

## TAPE AND REEL INFORMATION



### QUADRANT ASSIGNMENTS FOR PIN 1 ORIENTATION IN TAPE



\*All dimensions are nominal

Device	Package Type	Package Drawing	Pins	SPQ	Reel Diameter (mm)	Reel Width W1 (mm)	A0 (mm)	B0 (mm)	K0 (mm)	P1 (mm)	W (mm)	Pin1 Quadrant
TXB0108DGSR	VSSOP	DGS	20	5000	330.0	16.4	5.4	5.4	1.45	8.0	16.0	Q1
TXB0108DQSR	USON	DQS	20	3000	177.8	12.4	2.21	4.22	0.81	4.0	12.0	Q1
TXB0108NMER	NFBGA	NME	20	2500	330.0	12.4	2.85	3.4	1.34	4.0	12.0	Q2
TXB0108PWR	TSSOP	PW	20	2000	330.0	16.4	6.95	7.0	1.4	8.0	16.0	Q1
TXB0108RGYR	VQFN	RGY	20	3000	330.0	12.4	3.8	4.8	1.6	8.0	12.0	Q1
TXB0108YZPR	DSBGA	YZP	20	3000	180.0	8.4	1.99	2.49	0.56	4.0	8.0	Q1
TXB0108YZPR2	DSBGA	YZP	20	3000	180.0	8.4	1.99	2.49	0.56	4.0	8.0	Q2

## TAPE AND REEL BOX DIMENSIONS



\*All dimensions are nominal

Device	Package Type	Package Drawing	Pins	SPQ	Length (mm)	Width (mm)	Height (mm)
TXB0108DGSR	VSSOP	DGS	20	5000	353.0	353.0	32.0
TXB0108DQSR	USON	DQS	20	3000	202.0	201.0	28.0
TXB0108NMER	NFBGA	NME	20	2500	336.6	336.6	31.8
TXB0108PWR	TSSOP	PW	20	2000	356.0	356.0	35.0
TXB0108RGYR	VQFN	RGY	20	3000	356.0	356.0	35.0
TXB0108YZPR	DSBGA	YZP	20	3000	182.0	182.0	20.0
TXB0108YZPR2	DSBGA	YZP	20	3000	182.0	182.0	20.0

## GENERIC PACKAGE VIEW

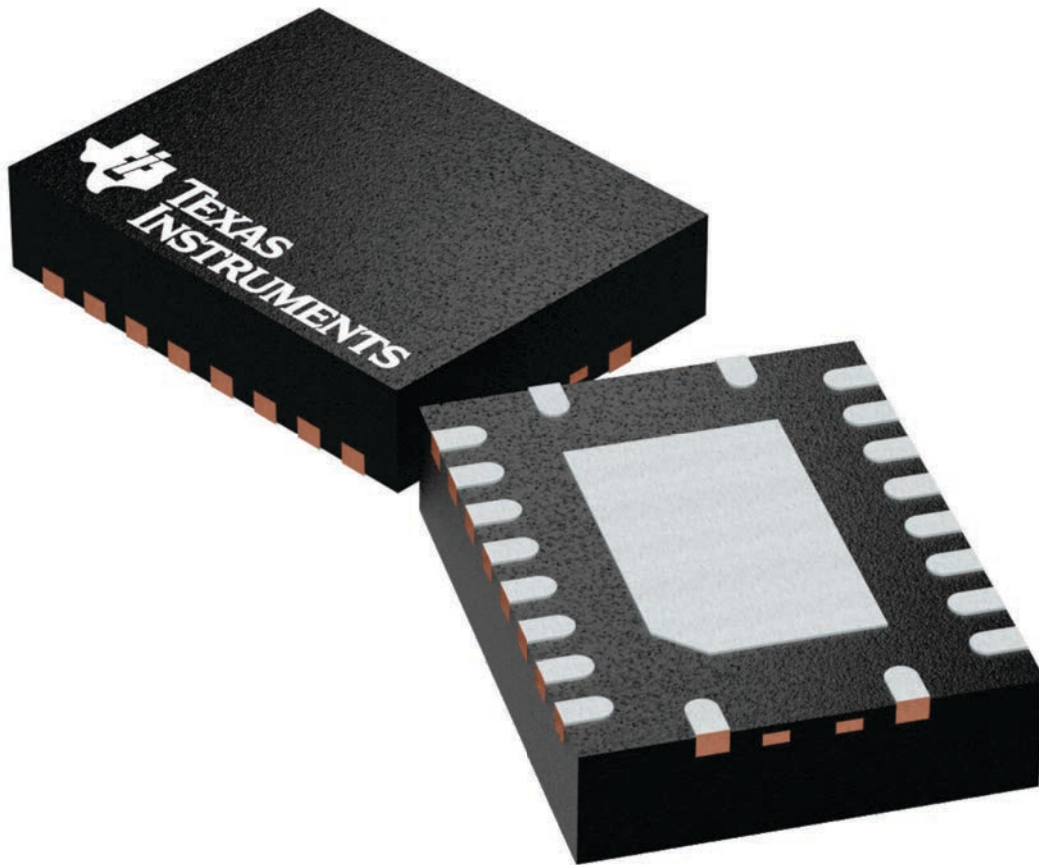
**RGY 20**

**VQFN - 1 mm max height**

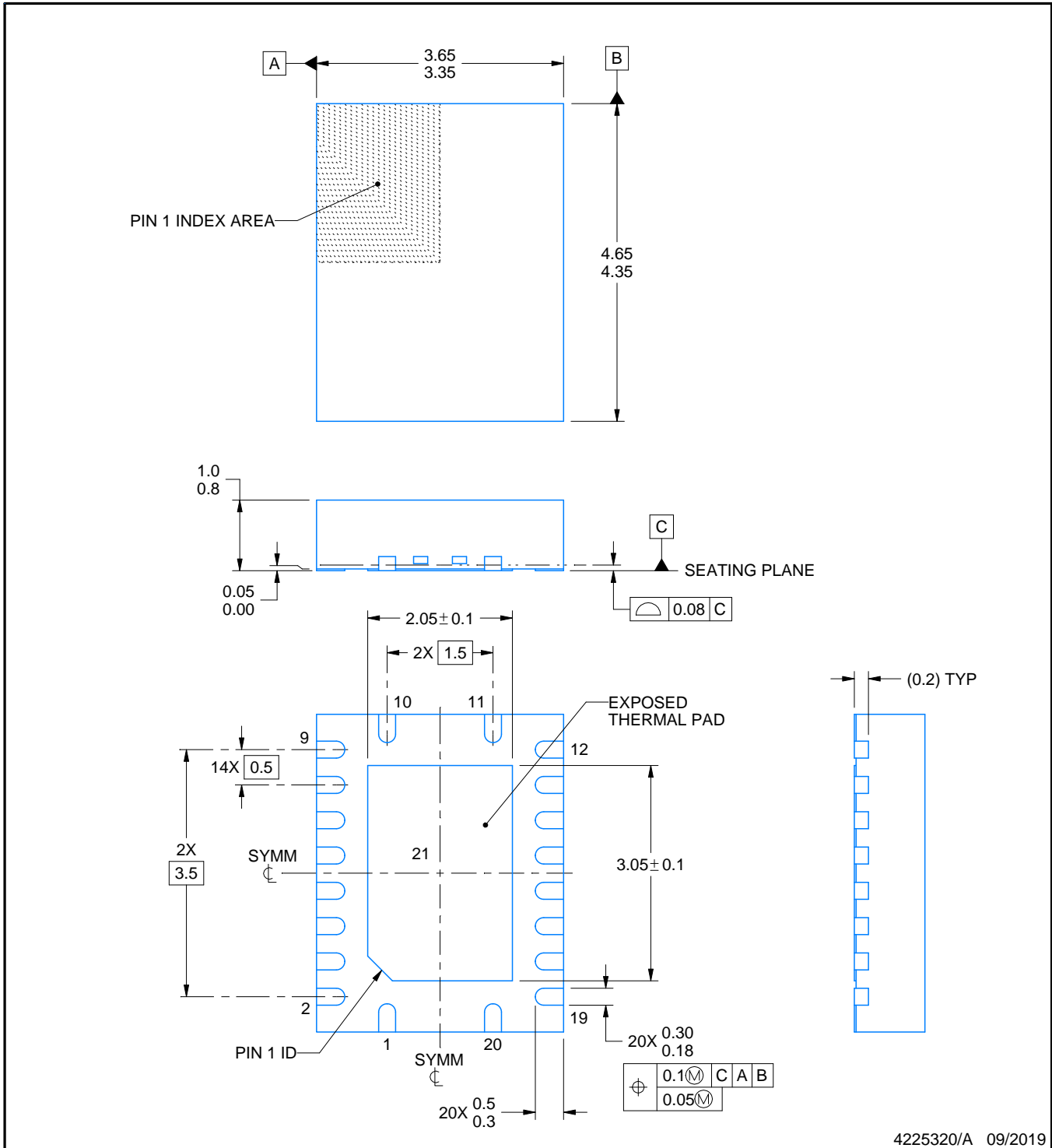
3.5 x 4.5, 0.5 mm pitch

PLASTIC QUAD FGLATPACK - NO LEAD

This image is a representation of the package family, actual package may vary.  
Refer to the product data sheet for package details.



4225264/A



4225320/A 09/2019

NOTES:

1. All linear dimensions are in millimeters. Any dimensions in parenthesis are for reference only. Dimensioning and tolerancing per ASME Y14.5M.
2. This drawing is subject to change without notice.
3. The package thermal pad must be soldered to the printed circuit board for thermal and mechanical performance.

# EXAMPLE BOARD LAYOUT

RGY0020A

VQFN - 1 mm max height

PLASTIC QUAD FLATPACK - NO LEAD



LAND PATTERN EXAMPLE  
EXPOSED METAL SHOWN  
SCALE:18X



SOLDER MASK DETAILS

4225320/A 09/2019

NOTES: (continued)

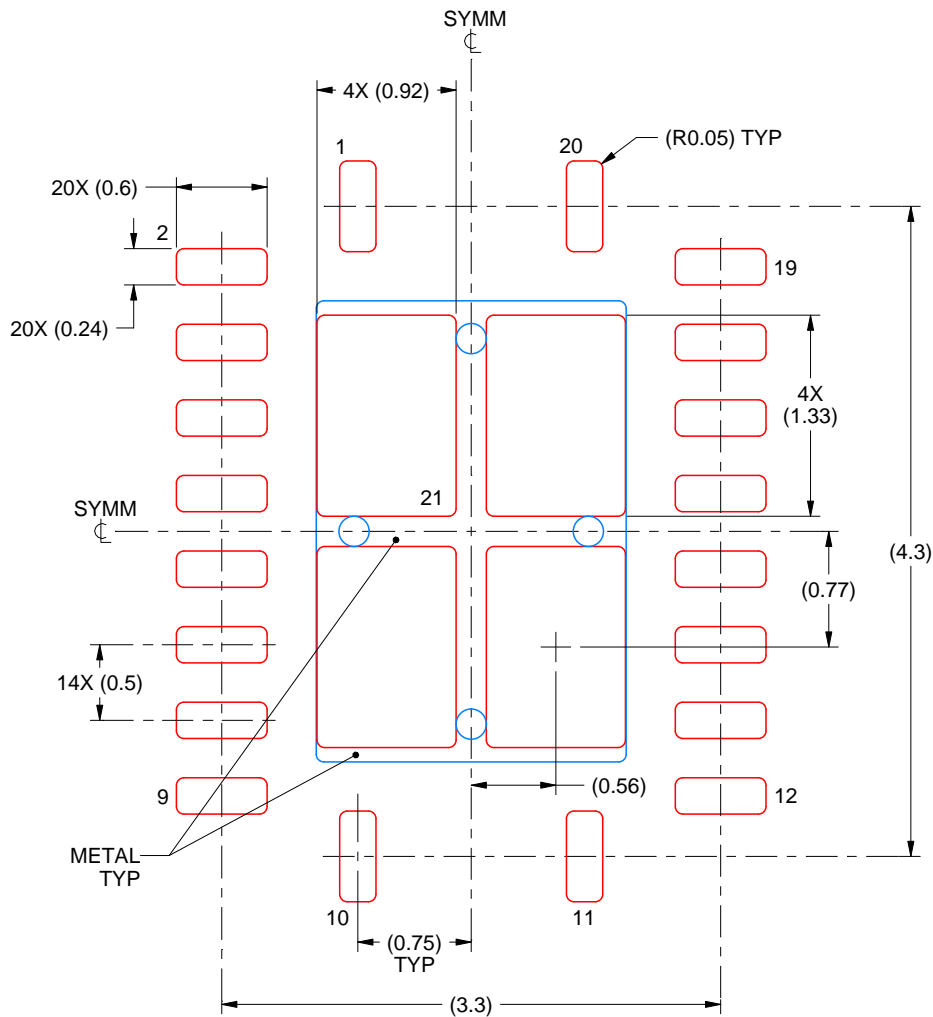
- This package is designed to be soldered to a thermal pad on the board. For more information, see Texas Instruments literature number SLUA271 ([www.ti.com/lit/sluea271](http://www.ti.com/lit/sluea271)).
- Vias are optional depending on application, refer to device data sheet. If any vias are implemented, refer to their locations shown on this view. It is recommended that vias under paste be filled, plugged or tented.

# EXAMPLE STENCIL DESIGN

RGY0020A

VQFN - 1 mm max height

PLASTIC QUAD FLATPACK - NO LEAD



**SOLDER PASTE EXAMPLE**  
BASED ON 0.125 mm THICK STENCIL

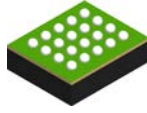
EXPOSED PAD 21  
78% PRINTED SOLDER COVERAGE BY AREA UNDER PACKAGE  
SCALE:20X

4225320/A 09/2019

NOTES: (continued)

6. Laser cutting apertures with trapezoidal walls and rounded corners may offer better paste release. IPC-7525 may have alternate design recommendations.



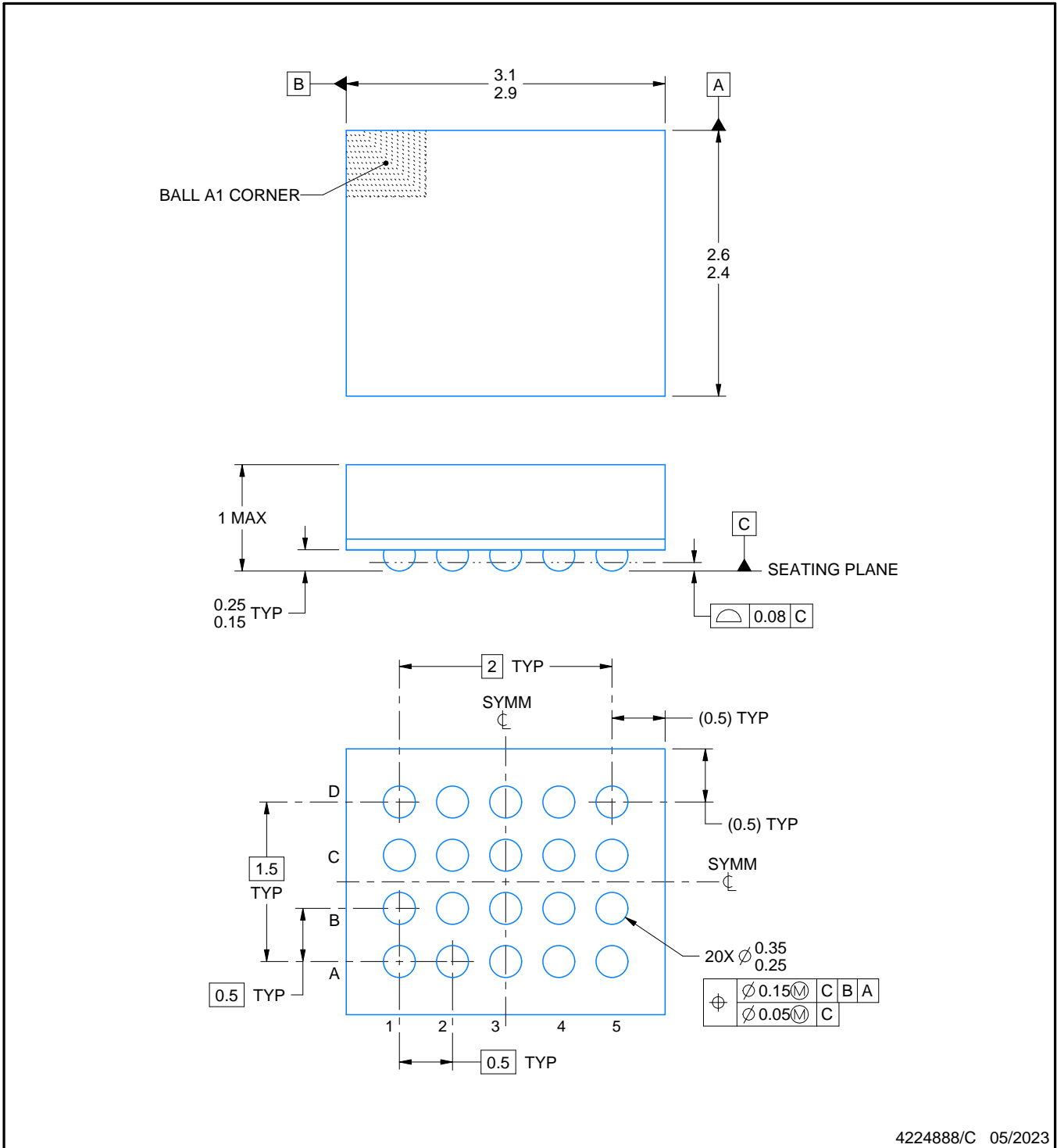


# NME0020A

# PACKAGE OUTLINE

## NFBGA - 1 mm max height

PLASTIC BALL GRID ARRAY



4224888/C 05/2023

### NOTES:

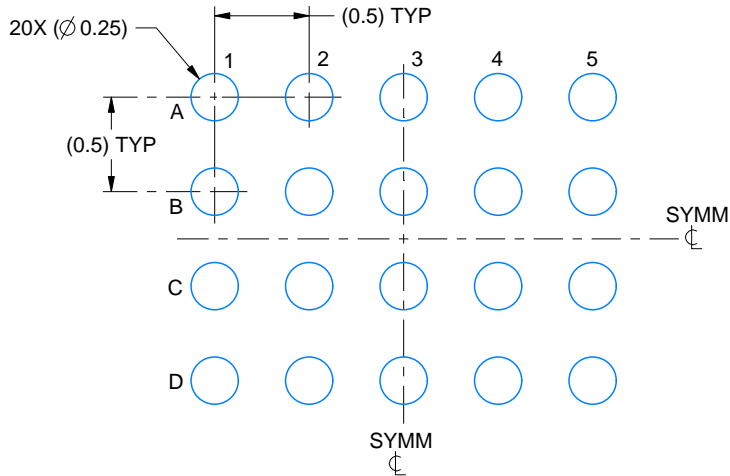
1. All linear dimensions are in millimeters. Any dimensions in parenthesis are for reference only. Dimensioning and tolerancing per ASME Y14.5M.
2. This drawing is subject to change without notice.

# EXAMPLE BOARD LAYOUT

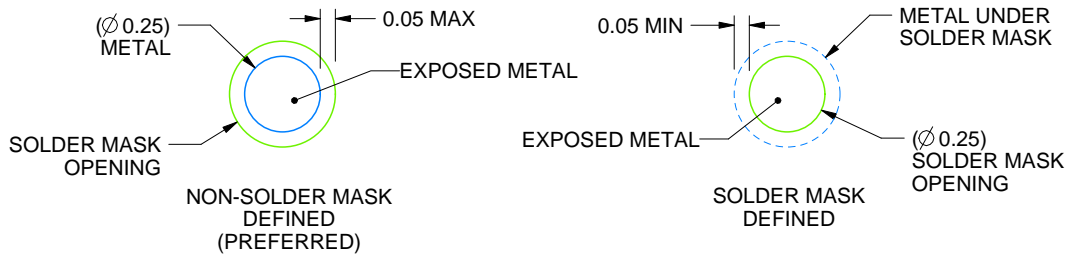
NME0020A

NFBGA - 1 mm max height

PLASTIC BALL GRID ARRAY



LAND PATTERN EXAMPLE  
EXPOSED METAL SHOWN  
SCALE:25X



SOLDER MASK DETAILS  
NOT TO SCALE

4224888/C 05/2023

NOTES: (continued)

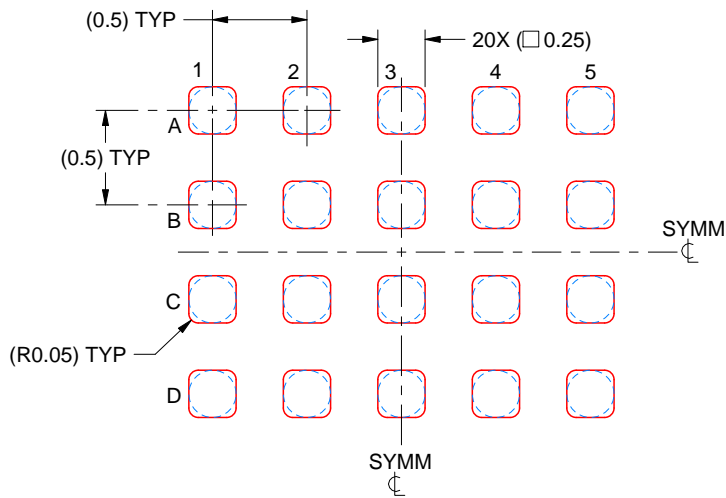
- Final dimensions may vary due to manufacturing tolerance considerations and also routing constraints. For information, see Texas Instruments literature number SPRAA99 ([www.ti.com/lit/spraa99](http://www.ti.com/lit/spraa99)).

# EXAMPLE STENCIL DESIGN

NME0020A

NFBGA - 1 mm max height

PLASTIC BALL GRID ARRAY



SOLDER PASTE EXAMPLE  
BASED ON 0.1 mm THICK STENCIL  
SCALE: 25X

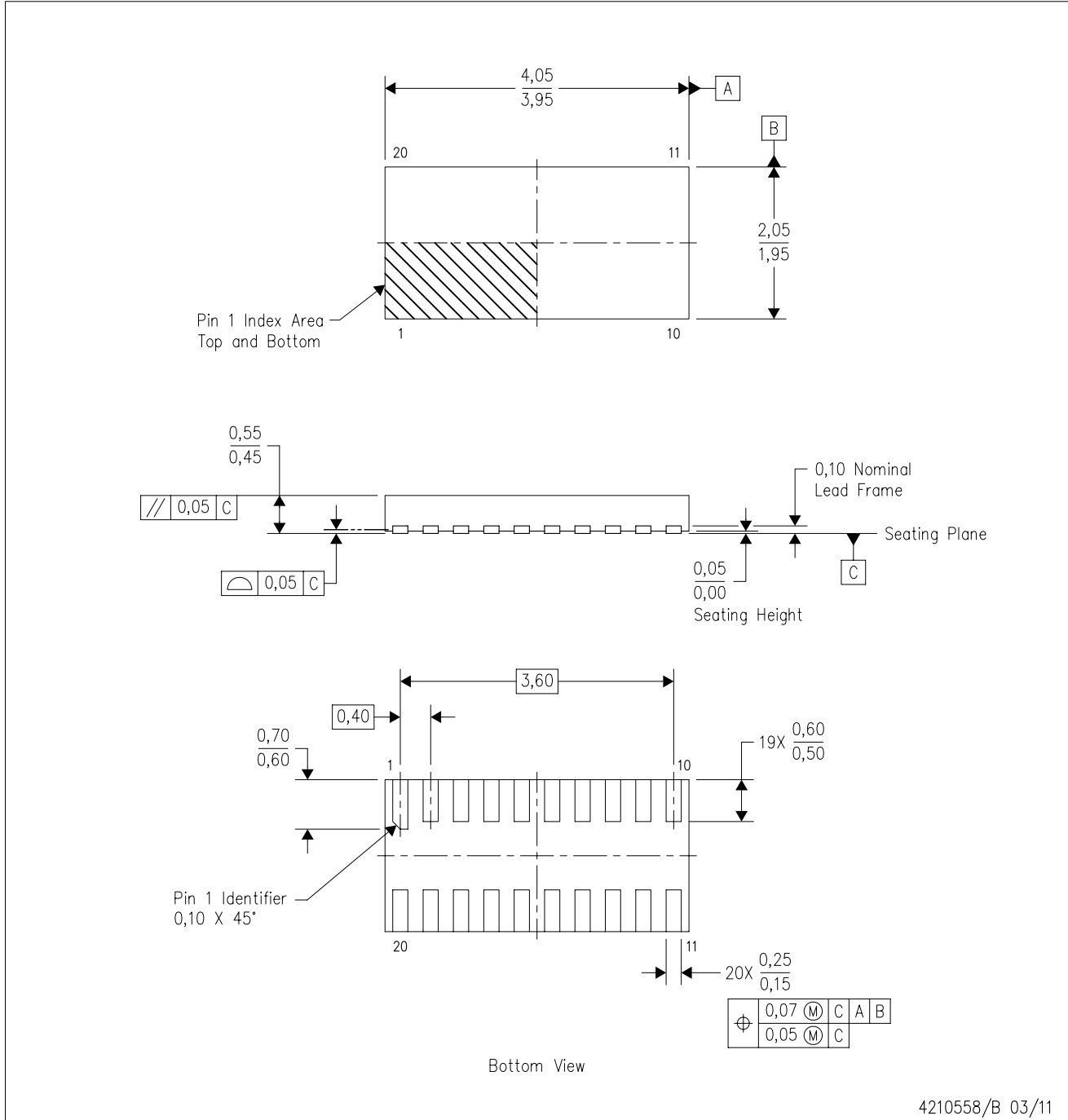
4224888/C 05/2023

NOTES: (continued)

4. Laser cutting apertures with trapezoidal walls and rounded corners may offer better paste release.

DQS (R-PUSON-N20)

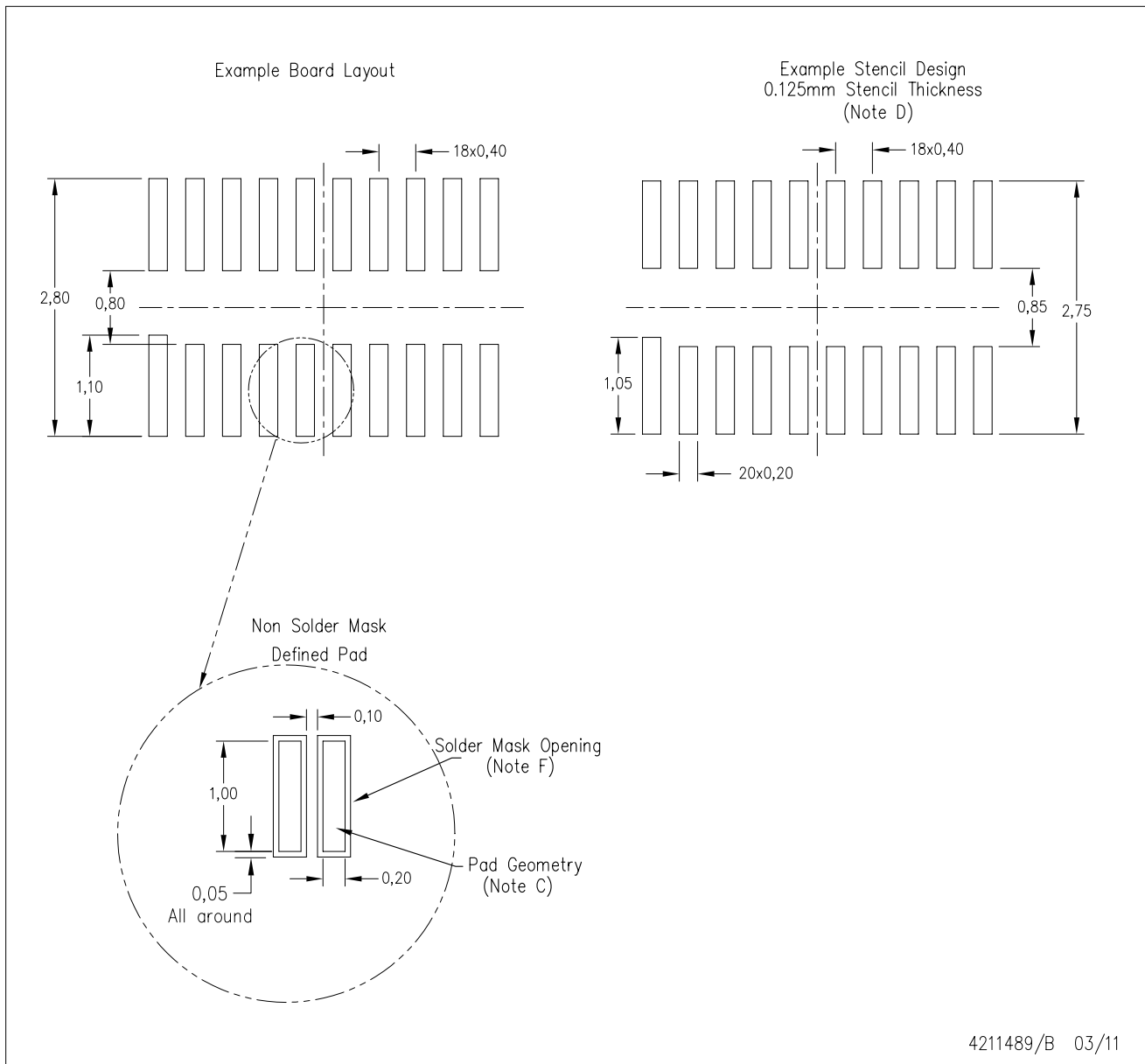
PLASTIC SMALL OUTLINE NO-LEAD



- NOTES:
- A. All linear dimensions are in millimeters. Dimensioning and tolerancing per ASME Y14.5M-1994.
  - B. This drawing is subject to change without notice.
  - C. SON (Small Outline No-Lead) package configuration.

DQS (R-PUSON-N20)

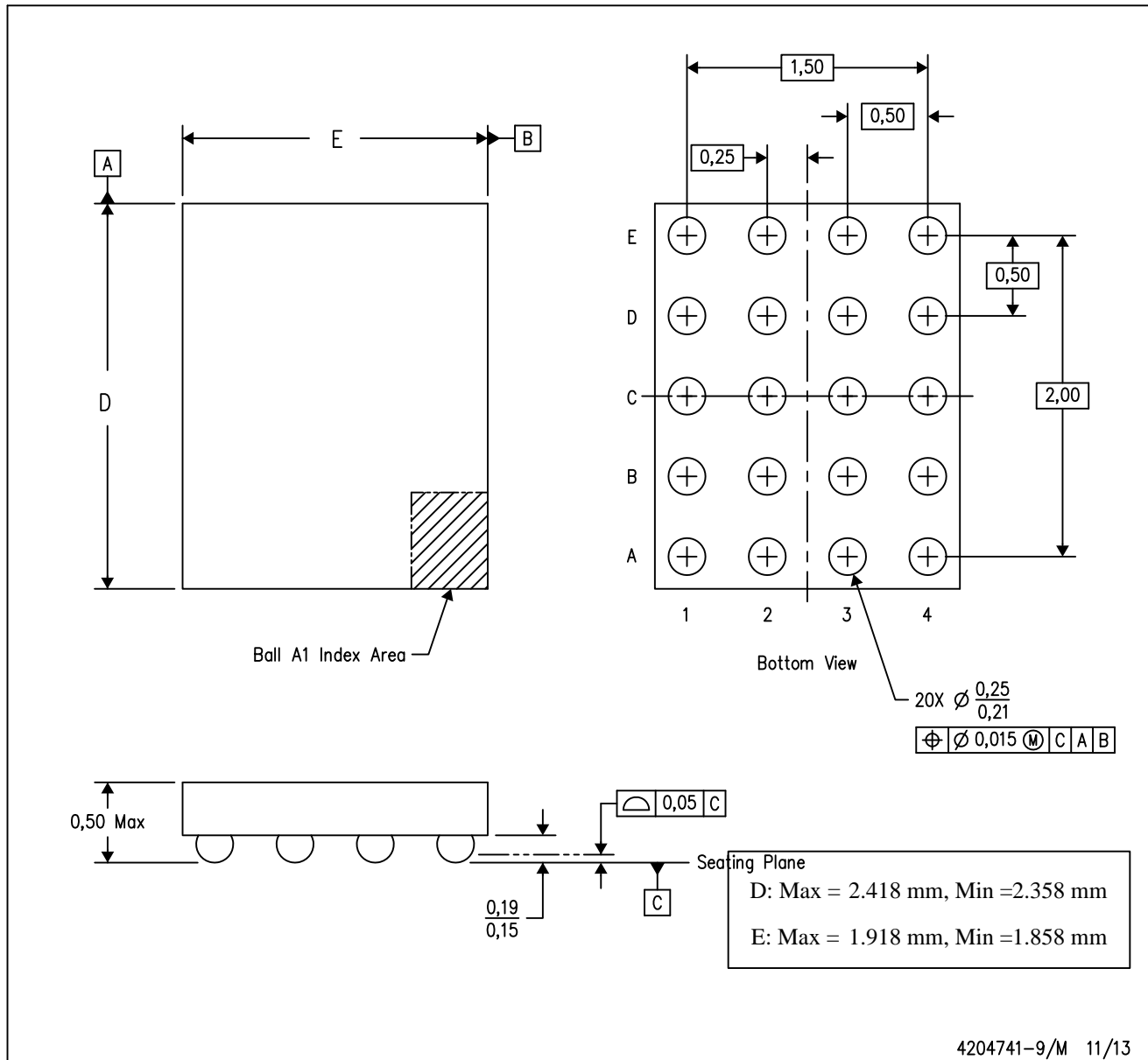
PLASTIC SMALL OUTLINE NO-LEAD



- NOTES:
- A. All linear dimensions are in millimeters.
  - B. This drawing is subject to change without notice.
  - C. Publication IPC-7351 is recommended for alternate designs.
  - D. Laser cutting apertures with trapezoidal walls and also rounding corners will offer better paste release. Customers should contact their board assembly site for stencil design recommendations. Refer to IPC 7525 for stencil design considerations.
  - E. Customers should contact their board fabrication site for minimum solder mask web tolerances between signal pads.

YZP (R-XBGA-N20)

DIE-SIZE BALL GRID ARRAY



- NOTES:
- A. All linear dimensions are in millimeters. Dimensioning and tolerancing per ASME Y14.5M-1994.
  - B. This drawing is subject to change without notice.
  - C. NanoFree™ package configuration.

NanoFree is a trademark of Texas Instruments.

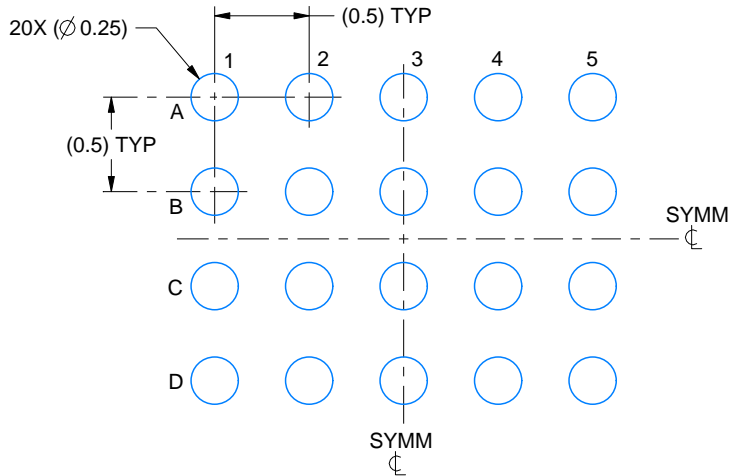


# EXAMPLE BOARD LAYOUT

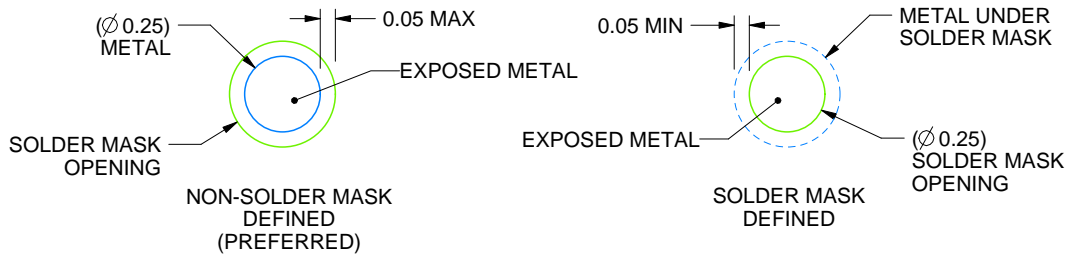
ZXY0020A

VFBGA - 0.61 mm max height

PLASTIC BALL GRID ARRAY



LAND PATTERN EXAMPLE  
EXPOSED METAL SHOWN  
SCALE:25X



SOLDER MASK DETAILS  
NOT TO SCALE

4222996/A 12/2016

NOTES: (continued)

- Final dimensions may vary due to manufacturing tolerance considerations and also routing constraints. For information, see Texas Instruments literature number SPRAA99 ([www.ti.com/lit/spraa99](http://www.ti.com/lit/spraa99)).

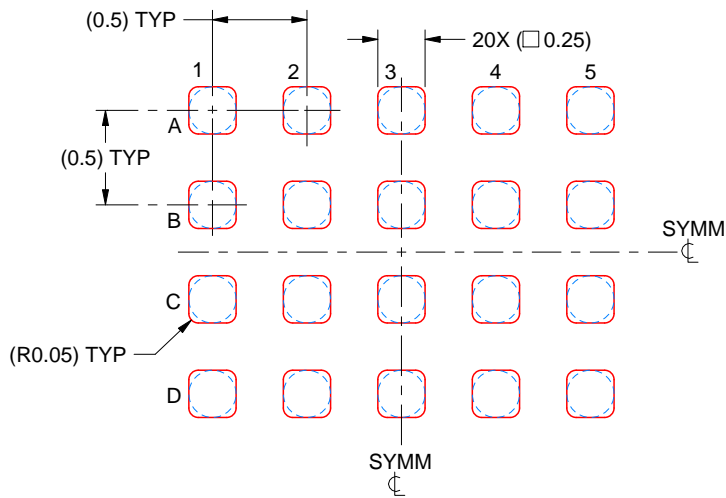


# EXAMPLE STENCIL DESIGN

ZXY0020A

VFBGA - 0.61 mm max height

PLASTIC BALL GRID ARRAY



SOLDER PASTE EXAMPLE  
BASED ON 0.1 mm THICK STENCIL  
SCALE: 25X

4222996/A 12/2016

NOTES: (continued)

4. Laser cutting apertures with trapezoidal walls and rounded corners may offer better paste release.



# EXAMPLE BOARD LAYOUT

PW0020A

TSSOP - 1.2 mm max height

SMALL OUTLINE PACKAGE



LAND PATTERN EXAMPLE  
EXPOSED METAL SHOWN  
SCALE: 10X



SOLDER MASK DETAILS

4220206/A 02/2017

NOTES: (continued)

- 6. Publication IPC-7351 may have alternate designs.
- 7. Solder mask tolerances between and around signal pads can vary based on board fabrication site.

# EXAMPLE STENCIL DESIGN

PW0020A

TSSOP - 1.2 mm max height

SMALL OUTLINE PACKAGE



SOLDER PASTE EXAMPLE  
BASED ON 0.125 mm THICK STENCIL  
SCALE: 10X

4220206/A 02/2017

NOTES: (continued)

8. Laser cutting apertures with trapezoidal walls and rounded corners may offer better paste release. IPC-7525 may have alternate design recommendations.
9. Board assembly site may have different recommendations for stencil design.

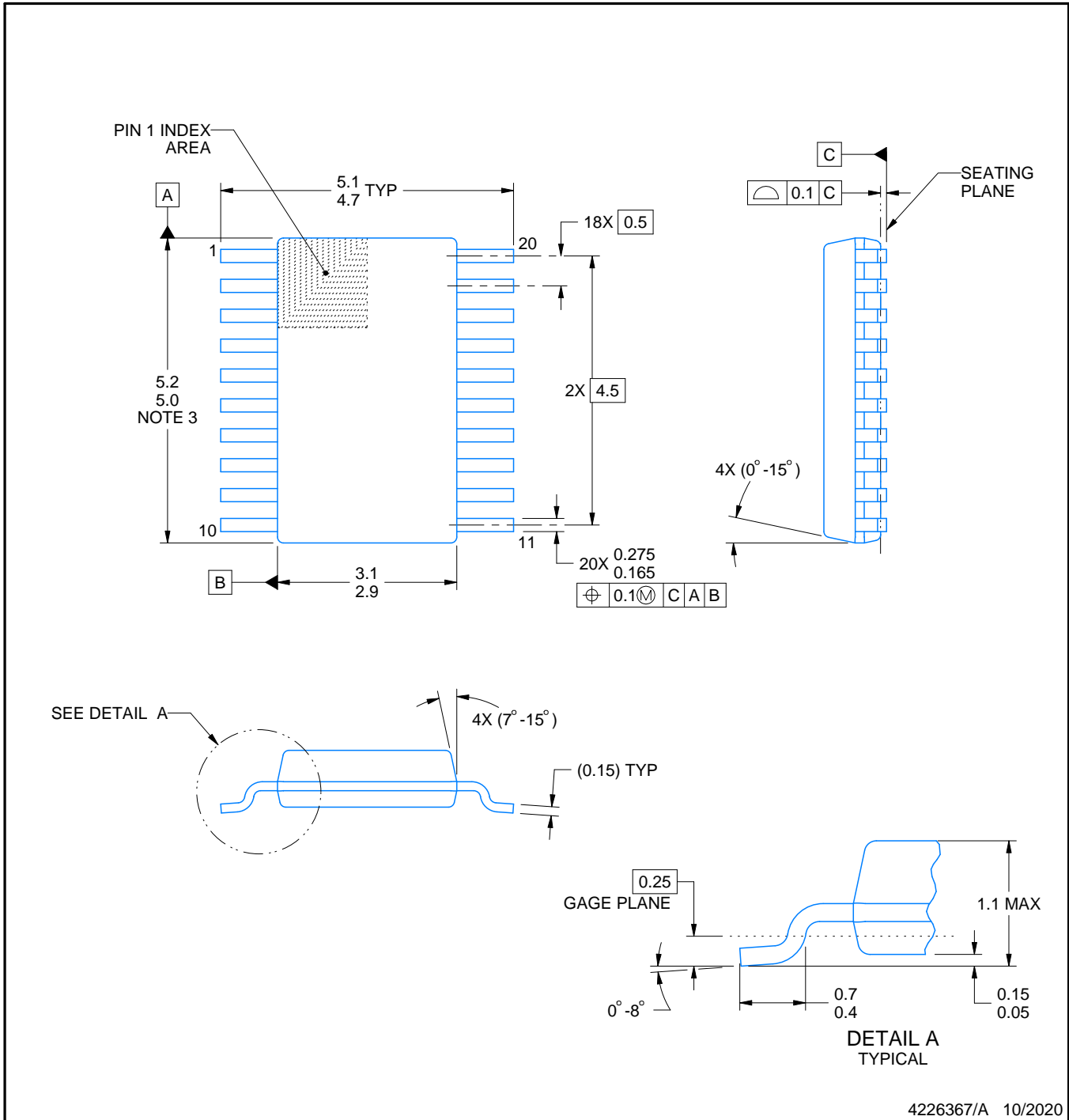
# DGS0020A



# PACKAGE OUTLINE

## VSSOP - 1.1 mm max height

SMALL OUTLINE PACKAGE



### NOTES:

PowerPAD is a trademark of Texas Instruments.

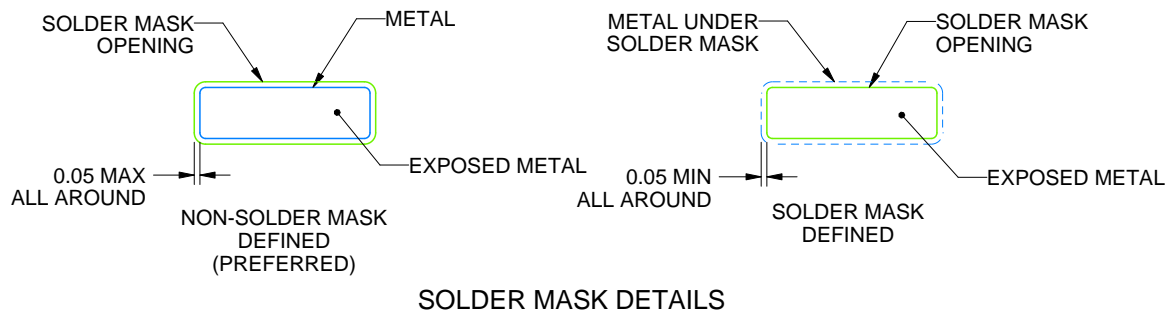
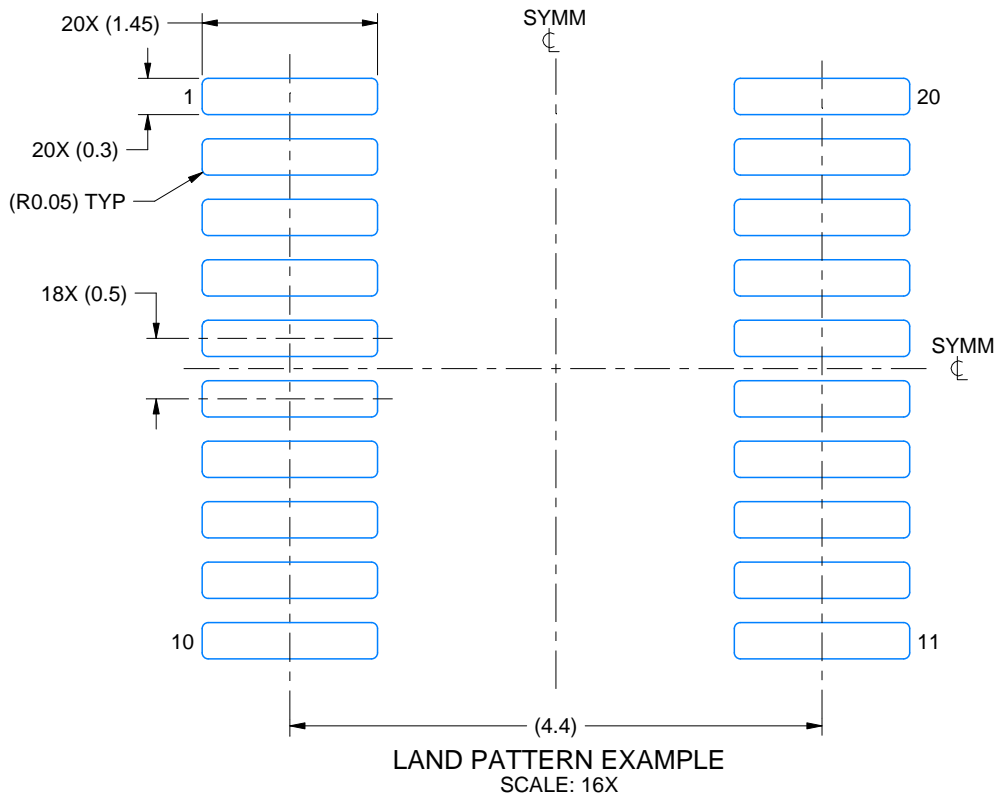
1. All linear dimensions are in millimeters. Any dimensions in parenthesis are for reference only. Dimensioning and tolerancing per ASME Y14.5M.
2. This drawing is subject to change without notice.
3. This dimension does not include mold flash, protrusions, or gate burrs. Mold flash, protrusions, or gate burrs shall not exceed 0.15 mm per side.
4. No JEDEC registration as of September 2020.
5. Features may differ or may not be present.

# EXAMPLE BOARD LAYOUT

DGS0020A

VSSOP - 1.1 mm max height

SMALL OUTLINE PACKAGE



4226367/A 10/2020

NOTES: (continued)

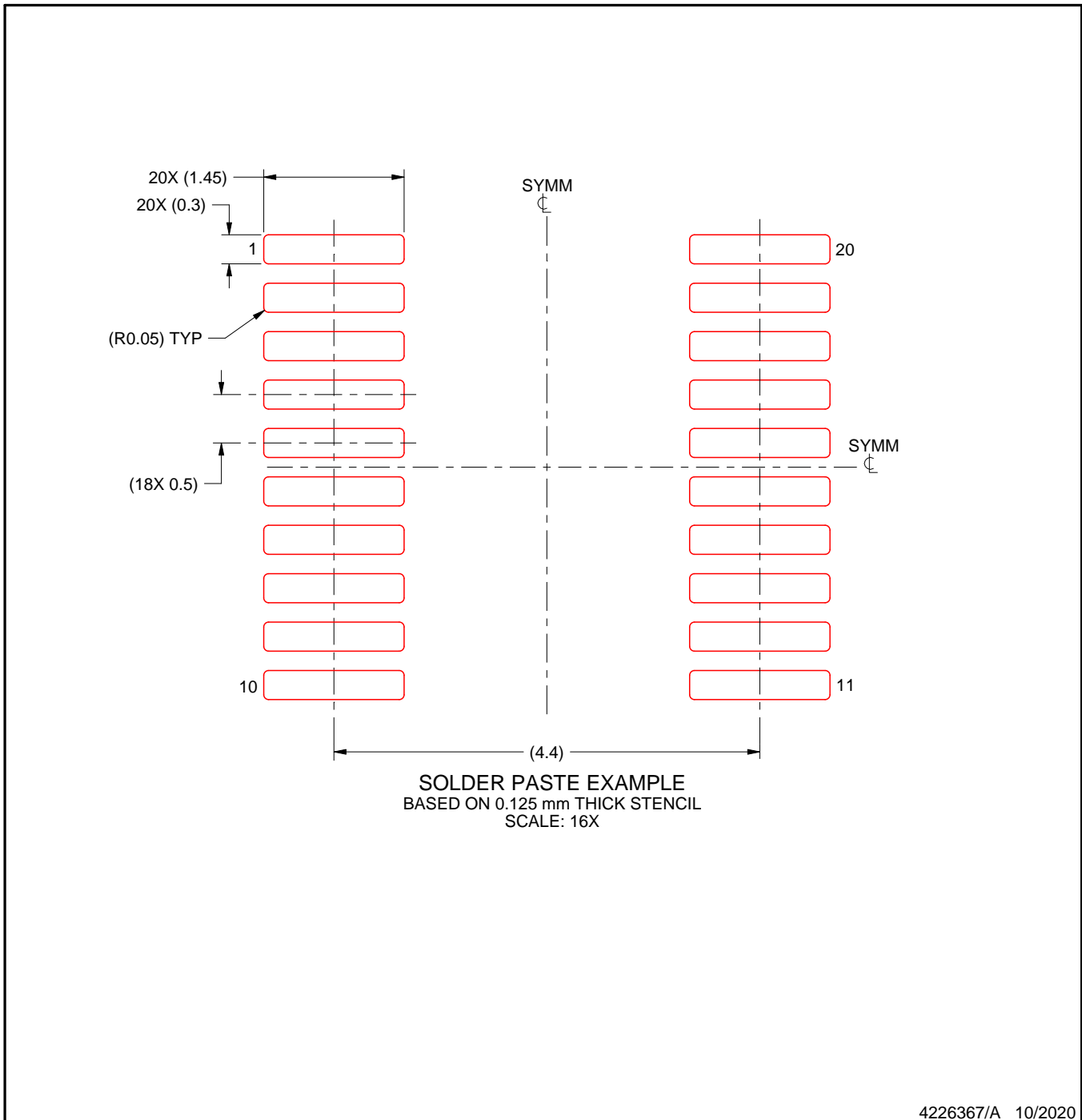
6. Publication IPC-7351 may have alternate designs.
7. Solder mask tolerances between and around signal pads can vary based on board fabrication site.
8. This package is designed to be soldered to a thermal pad on the board. For more information, see Texas Instruments literature numbers SLMA002 ([www.ti.com/lit/slma002](http://www.ti.com/lit/slma002)) and SLMA004 ([www.ti.com/lit/slma004](http://www.ti.com/lit/slma004)).
9. Size of metal pad may vary due to creepage requirement.
10. Vias are optional depending on application, refer to device data sheet. It is recommended that vias under paste be filled, plugged or tented.

# EXAMPLE STENCIL DESIGN

DGS0020A

VSSOP - 1.1 mm max height

SMALL OUTLINE PACKAGE



NOTES: (continued)

11. Laser cutting apertures with trapezoidal walls and rounded corners may offer better paste release. IPC-7525 may have alternate design recommendations.
12. Board assembly site may have different recommendations for stencil design.

## 重要なお知らせと免責事項

テキサス・インスツルメンツは、技術データと信頼性データ(データシートを含みます)、設計リソース(リファレンス デザインを含みます)、アプリケーションや設計に関する各種アドバイス、Web ツール、安全性情報、その他のリソースを、欠陥が存在する可能性のある「現状のまま」提供しており、商品性および特定目的に対する適合性の黙示保証、第三者の知的財産権の非侵害保証を含むいかなる保証も、明示的または黙示的にかかわらず拒否します。

これらのリソースは、テキサス・インスツルメンツ製品を使用する設計の経験を積んだ開発者への提供を意図したものです。(1) お客様のアプリケーションに適したテキサス・インスツルメンツ製品の選定、(2) お客様のアプリケーションの設計、検証、試験、(3) お客様のアプリケーションに該当する各種規格や、その他のあらゆる安全性、セキュリティ、規制、または他の要件への確実な適合に関する責任を、お客様のみが単独で負うものとし、ます。

上記の各種リソースは、予告なく変更される可能性があります。これらのリソースは、リソースで説明されているテキサス・インスツルメンツ製品を使用するアプリケーションの開発の目的でのみ、テキサス・インスツルメンツはその使用をお客様に許諾します。これらのリソースに関して、他の目的で複製することや掲載することは禁止されています。テキサス・インスツルメンツや第三者の知的財産権のライセンスが付与されている訳ではありません。お客様は、これらのリソースを自身で使用した結果発生するあらゆる申し立て、損害、費用、損失、責任について、テキサス・インスツルメンツおよびその代理人を完全に補償するものとし、テキサス・インスツルメンツは一切の責任を拒否します。

テキサス・インスツルメンツの製品は、[テキサス・インスツルメンツの販売条件](#)、または [ti.com](https://www.ti.com) やかかるテキサス・インスツルメンツ製品の関連資料などのいずれかを通じて提供する適用可能な条項の下で提供されています。テキサス・インスツルメンツがこれらのリソースを提供することは、適用されるテキサス・インスツルメンツの保証または他の保証の放棄の拡大や変更を意味するものではありません。

お客様がいかなる追加条項または代替条項を提案した場合でも、テキサス・インスツルメンツはそれらに異議を唱え、拒否します。

郵送先住所：Texas Instruments, Post Office Box 655303, Dallas, Texas 75265  
Copyright © 2025, Texas Instruments Incorporated