

UCD9090A ACPI 対応 10 レール電源シーケンサ / モニタ

1 特長

- 10 の電圧レールの監視とシーケンス
 - すべてのレールを 400 μ s ごとにサンプリング
 - 2.5V、0.5% の内部 V_{REF} 付きの 12 ビット ADC
 - 時間、レール、およびピンの依存関係に基づいたシーケンス
 - モニタごとに、4 つの低電圧および過電圧スレッシュホールドをプログラム可能
- モニタごとのエラーとピーク値の不揮発性ログ出力 (最大 26 のフォルト詳細エントリ)
- 10 レールに対する閉ループのマーゼン設定
 - マーゼン出力により、ユーザー定義のマーゼン・スレッシュホールドに一致するようレール電圧を調整
- ウォッチドッグ・タイマとシステム・リセットをプログラム可能
- 柔軟なデジタル I/O 構成
- GPI によりトリガされるフォルトへの応答と監視
- 複数の電源シーケンス IC を簡単にカスケード接続し、調整されたフォルト応答を取得
- ピンによりレール状態を選択
- 複数のデバイスのカスケード接続
- マルチフェーズの PWM クロック・ジェネレータ
 - 15.259kHz~125MHz のクロック周波数
 - 独立したクロック出力を構成し、スイッチ・モード電源を同期する機能
- JTAG および I²C/SMBus/ PMBus™ インターフェイス

2 アプリケーション

- 産業用および ATE
- テレコミュニケーションおよびネットワーク機器
- サーバーおよびストレージ・システム
- 複数の電力レールのシーケンスと監視を必要とする任意のシステム

3 概要

UCD9090A は、10 レールの PMBus/I²C をアドレス可能な電源シーケンサ / モニタです。このデバイスには 12 ビット ADC が内蔵されており、最大 10 の電源電圧入力を監視できます。23 本の GPIO ピンを、電源イネーブ、パワー・オン・リセット信号、外部割り込み、カスケード接続、その他のシステム機能に使用できます。これらのピンのうち 10 本には、PWM 機能があります。これらのピンを使用して、UCD9090A はマーゼン設定、および汎用 PWM 機能をサポートします。

ピンによりレール状態を選択する機能を使用して、特定の電力状態を実現できます。この機能により、最大 3 つの GPI を使用して任意のレールをイネーブまたはディスエーブできます。これは、システムの低消費電力モード

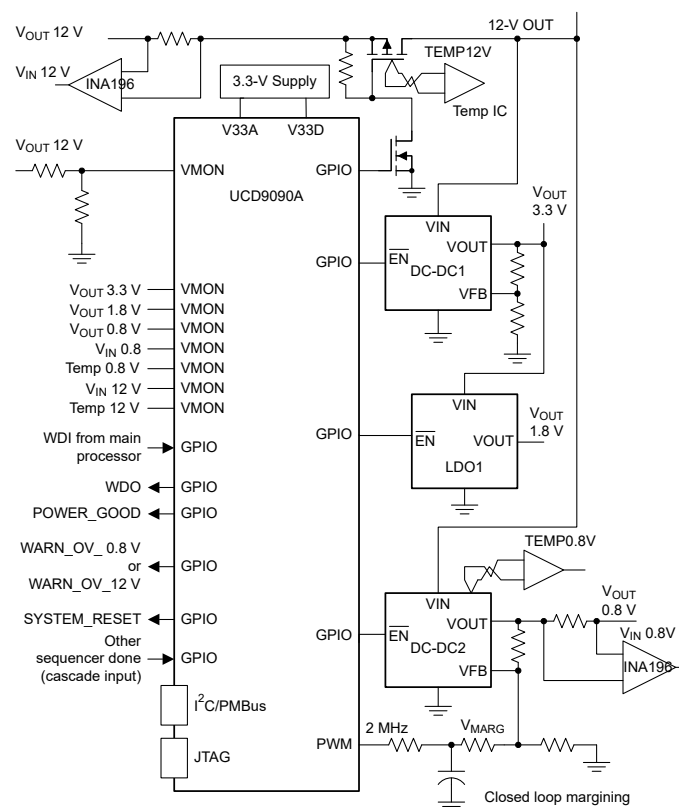
や、ハードウェア・デバイスに使用される ACPI (Advanced Configuration and Power Interface) 仕様を実装するために便利です。

TI の Fusion Digital Power™ ソフトウェアがデバイス構成用に提供されています。この PC ベースのグラフィカル・ユーザー・インターフェイス (GUI) により、すべてのシステム動作パラメータの構成、保存、および監視を直感的なインターフェイスから実行できます。

製品情報⁽¹⁾

| 部品番号 | パッケージ | 本体サイズ (公称) |
|----------|-----------|-----------------|
| UCD9090A | VQFN (48) | 7.00mm × 7.00mm |

- (1) 利用可能なパッケージについては、このデータシートの末尾にある注文情報を参照してください。



代表的なアプリケーション



Table of Contents

| | | | |
|---|-----------|---|-----------|
| 1 特長..... | 1 | 7.5 Programming..... | 43 |
| 2 アプリケーション..... | 1 | 8 Application and Implementation..... | 47 |
| 3 概要..... | 1 | 8.1 Application Information..... | 47 |
| 4 Revision History..... | 2 | 8.2 Typical Application..... | 47 |
| 5 Pin Configuration and Functions..... | 3 | 9 Power Supply Recommendations..... | 51 |
| 6 Specifications..... | 6 | 10 Layout..... | 52 |
| 6.1 Absolute Maximum Ratings..... | 6 | 10.1 Layout Guidelines..... | 52 |
| 6.2 ESD Ratings..... | 6 | 10.2 Layout Example..... | 52 |
| 6.3 Recommended Operating Conditions..... | 6 | 11 Device and Documentation Support..... | 54 |
| 6.4 Thermal Information..... | 6 | 11.1 Documentation Support..... | 54 |
| 6.5 Electrical Characteristics..... | 7 | 11.2 ドキュメントの更新通知を受け取る方法..... | 54 |
| 6.6 I ² C/Smbus/PMBus Timing Requirements..... | 8 | 11.3 サポート・リソース..... | 54 |
| 6.7 Typical Characteristics..... | 9 | 11.4 Trademarks..... | 54 |
| 7 Detailed Description..... | 10 | 11.5 静電気放電に関する注意事項..... | 54 |
| 7.1 Overview..... | 10 | 11.6 用語集..... | 54 |
| 7.2 Functional Block Diagram..... | 10 | 12 Mechanical, Packaging, and Orderable Information..... | 54 |
| 7.3 Feature Description..... | 11 | | |
| 7.4 Device Functional Modes..... | 16 | | |

4 Revision History

資料番号末尾の英字は改訂を表しています。その改訂履歴は英語版に準じています。

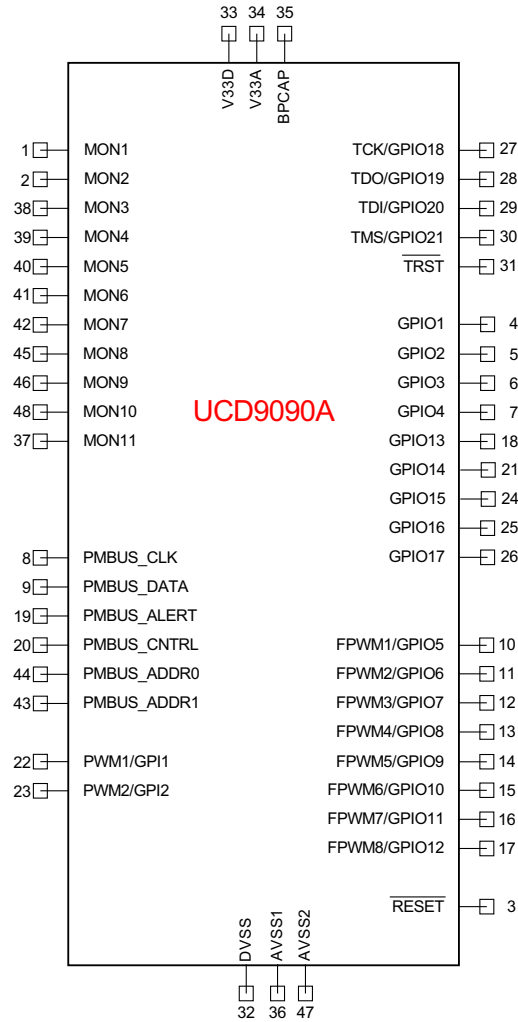
| Changes from Revision A (February 2019) to Revision B (December 2020) | Page |
|---|------|
| • 文書全体にわたって表、図、相互参照の採番方法を更新..... | 1 |
| • 図 3-1 を更新..... | 1 |
| • Corrected typographical error in test condition for <i>Internal oscillator frequency</i> specification..... | 7 |
| • Updated <i>Voltage Monitoring</i> section to specify 11 monitoring pins. | 18 |
| • Updated 図 7-7 | 18 |

| Changes from Revision * (September 2016) to Revision A (February 2019) | Page |
|--|------|
| • Updated セクション 7.5 section, Step 1..... | 43 |
| • Added Steps 6, 7, 8, and 9 to セクション 8.2.1 section..... | 49 |

5 Pin Configuration and Functions

注

The number of configurable rails is a maximum of ten. The maximum number of configurable GPIOs is eight. The maximum number of configurable boolean logic GPOs is ten.



5-1. Pin Assignments for the VQFN Package

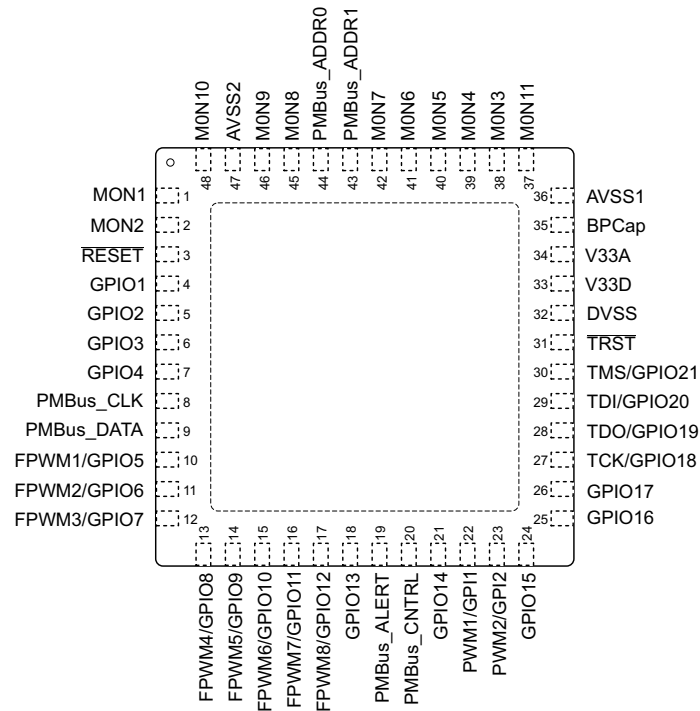


图 5-2. RGZ Package, 48-Pin VQFN With Exposed Thermal Pad (Top View)

表 5-1. Pin Functions

| PIN | | TYPE | DESCRIPTION |
|------------------------------|-----|------|------------------------------|
| NAME | NO. | | |
| ANALOG MONITOR INPUTS | | | |
| MON1 | 1 | I | Analog input (0 V–2.5 V) |
| MON2 | 2 | I | Analog input (0 V–2.5 V) |
| MON3 | 38 | I | Analog input (0 V–2.5 V) |
| MON4 | 39 | I | Analog input (0 V–2.5 V) |
| MON5 | 40 | I | Analog input (0 V–2.5 V) |
| MON6 | 41 | I | Analog input (0 V–2.5 V) |
| MON7 | 42 | I | Analog input (0 V–2.5 V) |
| MON8 | 45 | I | Analog input (0 V–2.5 V) |
| MON9 | 46 | I | Analog input (0 V–2.5 V) |
| MON10 | 48 | I | Analog input (0 V–2.5 V) |
| MON11 | 37 | I | Analog input (0.2 V–2.5 V) |
| GPIO | | | |
| GPIO1 | 4 | I/O | General-purpose discrete I/O |
| GPIO2 | 5 | I/O | General-purpose discrete I/O |
| GPIO3 | 6 | I/O | General-purpose discrete I/O |
| GPIO4 | 7 | I/O | General-purpose discrete I/O |
| GPIO13 | 18 | I/O | General-purpose discrete I/O |
| GPIO14 | 21 | I/O | General-purpose discrete I/O |
| GPIO15 | 24 | I/O | General-purpose discrete I/O |
| GPIO16 | 25 | I/O | General-purpose discrete I/O |
| GPIO17 | 26 | I/O | General-purpose discrete I/O |
| PWM OUTPUTS | | | |

表 5-1. Pin Functions (continued)

| PIN | | TYPE | DESCRIPTION |
|--------------------------------|-----|---------|---|
| NAME | NO. | | |
| FPWM1/GPIO5 | 10 | I/O/PWM | PWM (15.259 kHz to 125 MHz) or GPIO |
| FPWM2/GPIO6 | 11 | I/O/PWM | PWM (15.259 kHz to 125 MHz) or GPIO |
| FPWM3/GPIO7 | 12 | I/O/PWM | PWM (15.259 kHz to 125 MHz) or GPIO |
| FPWM4/GPIO8 | 13 | I/O/PWM | PWM (15.259 kHz to 125 MHz) or GPIO |
| FPWM5/GPIO9 | 14 | I/O/PWM | PWM (15.259 kHz to 125 MHz) or GPIO |
| FPWM6/GPIO10 | 15 | I/O/PWM | PWM (15.259 kHz to 125 MHz) or GPIO |
| FPWM7/GPIO11 | 16 | I/O/PWM | PWM (15.259 kHz to 125 MHz) or GPIO |
| FPWM8/GPIO12 | 17 | I/O/PWM | PWM (15.259 kHz to 125 MHz) or GPIO |
| PWM1/GPI1 | 22 | I/PWM | PWM (0.93 Hz to 7.8125 MHz) or GPI |
| PWM2/GPI2 | 23 | I/PWM | PWM (0.93 Hz to 7.8125 MHz) or GPI |
| PMBus COMM INTERFACE | | | |
| PMBus_CLK | 8 | I/O | PMBus clock (must have pullup to 3.3 V) |
| PMBus_DATA | 9 | I/O | PMBus data (must have pullup to 3.3 V) |
| PMBus_ALERT | 19 | O | PMBus alert, active-low, open-drain output (must have pullup to 3.3 V) |
| PMBus_CNTRL | 20 | I | PMBus control |
| PMBus_ADDR0 | 44 | I | PMBus analog address input. Least-significant address bit |
| PMBus_ADDR1 | 43 | I | PMBus analog address input. Most-significant address bit |
| JTAG | | | |
| TCK/GPIO18 | 27 | I/O | Test clock or GPIO |
| TDO/GPIO19 | 28 | I/O | Test data out or GPIO |
| TDI/GPIO20 | 29 | I/O | Test data in (tie to V_{dd} with 10-k Ω resistor) or GPIO |
| TMS/GPIO21 | 30 | I/O | Test mode select (tie to V_{dd} with 10-k Ω resistor) or GPIO |
| TRST | 31 | I | Test reset – tie to ground with 10-k Ω resistor |
| INPUT POWER AND GROUNDS | | | |
| RESET | 3 | — | Active-low device reset input. Hold low for at least 2 μ s to reset the device. |
| V33A | 34 | — | Analog 3.3-V supply. Refer to the セクション 10.1 section. |
| V33D | 33 | — | Digital core 3.3-V supply. Refer to the セクション 10.1 section. |
| BPCap | 35 | — | 1.8-V bypass capacitor. Refer to the セクション 10.1 section. |
| AVSS1 | 36 | — | Analog ground |
| AVSS2 | 47 | — | Analog ground |
| DVSS | 32 | — | Digital ground |
| Thermal pad | | — | QFN ground pad. Tie to ground plane. |

6 Specifications

6.1 Absolute Maximum Ratings

over operating free-air temperature range (unless otherwise noted)⁽¹⁾

| | MIN | MAX | UNIT |
|---|------|------------|------|
| Voltage applied at V33D to DV _{SS} | −0.3 | 3.8 | V |
| Voltage applied at V33A to AV _{SS} | −0.3 | 3.8 | V |
| Voltage applied to any other pin ⁽²⁾ | −0.3 | V33A + 0.3 | V |
| Storage temperature (T _{stg}) | −55 | 150 | °C |

- (1) Stresses beyond those listed under *Absolute Maximum Ratings* may cause permanent damage to the device. These are stress ratings only, which do not imply functional operation of the device at these or any other conditions beyond those indicated under *Recommended Operating Conditions*. Exposure to absolute-maximum-rated conditions for extended periods may affect device reliability.
- (2) All voltages referenced to V_{SS}

6.2 ESD Ratings

| | | VALUE | UNIT |
|--|--|-------|------|
| V _(ESD) Electrostatic discharge | Human-body model (HBM), per ANSI/ESDA/JEDEC JS-001 ⁽¹⁾ | ±2500 | V |
| | Charged-device model (CDM), per JEDEC specification JESD22-C101 ⁽²⁾ | ±750 | |

- (1) JEDEC document JEP155 states that 500-V HBM allows safe manufacturing with a standard ESD control process.
- (2) JEDEC document JEP157 states that 250-V CDM allows safe manufacturing with a standard ESD control process.

6.3 Recommended Operating Conditions

| | MIN | NOM | MAX | UNIT |
|---|-----|-----|-----|------|
| Supply voltage during operation (V _{33D} , V _{33DIO} , V _{33A}) | 3 | 3.3 | 3.6 | V |
| Operating free-air temperature, T _A | −40 | | 110 | °C |
| Junction temperature, T _J | | | 125 | °C |

6.4 Thermal Information

| THERMAL METRIC ⁽¹⁾ | | UCD9090A | UNIT |
|-------------------------------|--|------------|------|
| | | RGZ (VQFN) | |
| | | 48 PINS | |
| R _{θJA} | Junction-to-ambient thermal resistance | 25 | °C/W |
| R _{θJC(top)} | Junction-to-case (top) thermal resistance | 8.9 | °C/W |
| R _{θJB} | Junction-to-board thermal resistance | 5.5 | °C/W |
| ψ _{JT} | Junction-to-top characterization parameter | 0.3 | °C/W |
| ψ _{JB} | Junction-to-board characterization parameter | 1.5 | °C/W |
| R _{θJC(bot)} | Junction-to-case (bottom) thermal resistance | 1.7 | °C/W |

- (1) For more information about traditional and new thermal metrics, see the [Semiconductor and IC Package Thermal Metrics](#) application report.

6.5 Electrical Characteristics

over operating free-air temperature range (unless otherwise noted)

| PARAMETER | | TEST CONDITIONS | MIN | TYP | MAX | UNIT |
|-----------------------------------|---|--|--------|-------------------|-------------|------------|
| SUPPLY CURRENT | | | | | | |
| I_{V33A} | Supply current ⁽¹⁾ | $V_{V33A} = 3.3\text{ V}$ | | 8 | | mA |
| I_{V33DIO} | | $V_{V33DIO} = 3.3\text{ V}$ | | 2 | | mA |
| I_{V33D} | | $V_{V33D} = 3.3\text{ V}$ | | 40 | | mA |
| I_{V33D} | | $V_{V33D} = 3.3\text{ V}$, storing configuration parameters in flash memory | | | 50 | |
| ANALOG INPUTS (MON1–MON11) | | | | | | |
| V_{MON} | Input voltage range | MON1–MON10 | 0 | | 2.5 | V |
| | | MON11 | 0.2 | | 2.5 | V |
| INL | ADC integral non-linearity | | –4 | | 4 | LSB |
| DNL | ADC differential non-linearity | | –2 | | 2 | LSB |
| I_{IKG} | Input leakage current | 3 V applied to pin | | | 100 | nA |
| I_{OFFSET} | Input offset current | 1-k Ω source impedance | –5 | | 5 | μ A |
| R_{IN} | Input impedance | MON1–MON10, ground reference | 8 | | | M Ω |
| | | MON11, ground reference | 0.5 | 1.5 | 3 | M Ω |
| C_{IN} | Input capacitance | | | | 10 | pF |
| $t_{CONVERT}$ | ADC sample period | 12 voltages sampled, 3.89 μ s/sample | | 400 | | μ s |
| V_{REF} | ADC 2.5 V, internal reference accuracy | $0^{\circ}\text{C} \leq T_A \leq 125^{\circ}\text{C}$ | –0.5% | | 0.5% | |
| | | $–40^{\circ}\text{C} \leq T_A \leq 125^{\circ}\text{C}$ | –1% | | 1% | |
| ANALOG INPUT (PMBus_ADDRx) | | | | | | |
| I_{BIAS} | Bias current for PMBus Addr pins | | 9 | | 11 | μ A |
| V_{ADDR_OPEN} | Voltage – open pin | PMBus_ADDR0, PMBus_ADDR1 open | 2.26 | | | V |
| V_{ADDR_SHORT} | Voltage – shorted pin | PMBus_ADDR0, PMBus_ADDR1 short to ground | | | 0.124 | V |
| DIGITAL INPUTS AND OUTPUTS | | | | | | |
| V_{OL} | Low-level output voltage | $I_{OL} = 6\text{ mA}^{(2)}$, $V_{33DIO} = 3\text{ V}$ | | | Dgnd + 0.25 | V |
| V_{OH} | High-level output voltage | $I_{OH} = –6\text{ mA}^{(3)}$, $V_{33DIO} = 3\text{ V}$ | | $V_{33DIO} – 0.6$ | | V |
| V_{IH} | High-level input voltage | $V_{33DIO} = 3\text{ V}$ | 2.1 | | 3.6 | V |
| V_{IL} | Low-level input voltage | $V_{33DIO} = 3.5\text{ V}$ | | | 1.4 | V |
| MARGINING OUTPUTS | | | | | | |
| T_{PWM_FREQ} | MARGINING-PWM frequency | FPWM1-8 | 15.260 | | 125000 | kHz |
| | | PWM1-2 | 0.001 | | 7800 | |
| $DUTY_{PWM}$ | MARGINING-PWM duty cycle range | | 0% | | 100% | |
| SYSTEM PERFORMANCE | | | | | | |
| $V_{DD}Slew$ | Minimum V_{DD} slew rate | V_{DD} slew rate between 2.3 V and 2.9 V | 0.25 | | | V/ms |
| V_{RESET} | Supply voltage at which device comes out of reset | For power-on reset (POR) | | | 2.4 | V |
| t_{RESET} | Low-pulse duration needed at RESET pin | To reset device during normal operation | 2 | | | μ s |
| $f_{(PCLK)}$ | Internal oscillator frequency | $T_A = 25^{\circ}\text{C}$ | 240 | 250 | 260 | MHz |
| $t_{retention}$ | Retention of configuration parameters | $T_J = 25^{\circ}\text{C}$ | 100 | | | Years |
| Write_Cycles | Number of nonvolatile erase/write cycles | $T_J = 25^{\circ}\text{C}$ | 20 | | | K cycles |

(1) Typical supply current values are based on device programmed but not configured, and no peripherals connected to any pins.

(2) The maximum total current, I_{OLmax} , for all outputs combined, should not exceed 12 mA to hold the maximum voltage drop specified.

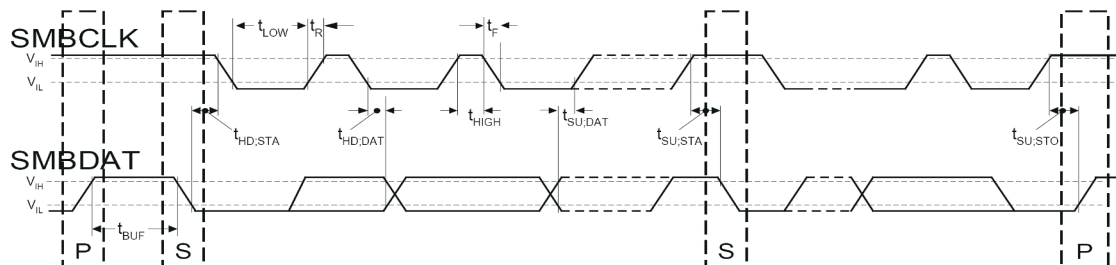
(3) The maximum total current, I_{OHmax} , for all outputs combined, should not exceed 48 mA to hold the maximum voltage drop specified.

6.6 I²C/SMBus/PMBus Timing Requirements

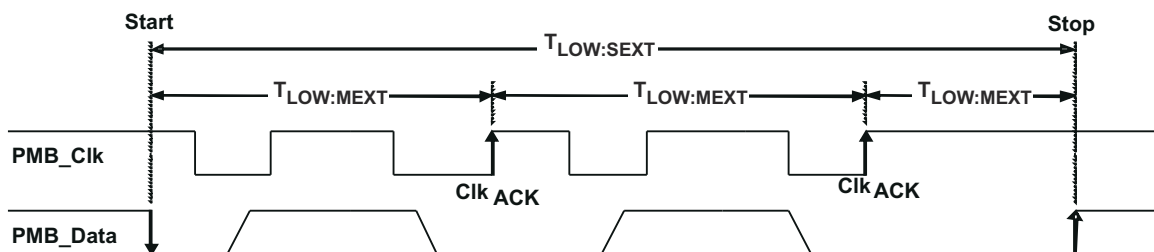
$T_A = -40^\circ\text{C}$ to 85°C , $3\text{ V} < V_{DD} < 3.6\text{ V}$; typical values at $T_A = 25^\circ\text{C}$ and $V_{CC} = 2.5\text{ V}$ (unless otherwise noted)

| | | | MIN | NOM | MAX | UNIT |
|-----------------------|--|---------------------------------|----------------------------|-----|-----|---------------|
| FSMB | SMBus/PMBus operating frequency | Slave mode, SMBC 50% duty cycle | 10 | | 400 | kHz |
| FI2C | I ² C operating frequency | Slave mode, SCL 50% duty cycle | 10 | | 400 | kHz |
| t_{BUF} | Bus free time between start and stop | | 1.3 | | | μs |
| $t_{\text{HD:STA}}$ | Hold time after (repeated) start | | 0.6 | | | μs |
| $t_{\text{SU:STA}}$ | Repeated-start setup time | | 0.6 | | | μs |
| $t_{\text{SU:STO}}$ | Stop setup time | | 0.6 | | | μs |
| $t_{\text{HD:DAT}}$ | Data hold time | Receive mode | 0 | | | ns |
| $t_{\text{SU:DAT}}$ | Data setup time | | 100 | | | ns |
| t_{TIMEOUT} | Error signal/detect | See (1) | | | 35 | ms |
| t_{LOW} | Clock low period | | 1.3 | | | μs |
| t_{HIGH} | Clock high period | See (2) | 0.6 | | | μs |
| $t_{\text{LOW:SEXT}}$ | Cumulative clock low slave extend time | See (3) | | | 25 | ms |
| t_f | Clock/data fall time | See (4) | 20 + 0.1 C _b | | 300 | ns |
| t_r | Clock/data rise time | See (5) | 20 + 0.1 C _b | | 300 | ns |
| C _b | Total capacitance of one bus line | | | | 400 | pF |

- (1) The device times out when any clock low exceeds t_{TIMEOUT} .
- (2) t_{HIGH} , Max, is the minimum bus idle time. SMBC = SMBD = 1 for $t > 50\text{ ms}$ causes reset of any transaction that is in progress. This specification is valid when the NC_SMB control bit remains in the default cleared state (CLK[0] = 0).
- (3) $t_{\text{LOW:SEXT}}$ is the cumulative time a slave device is allowed to extend the clock cycles in one message from initial start to the stop.
- (4) Fall time $t_f = 0.9 V_{DD}$ to $(V_{IL\text{MAX}} - 0.15)$
- (5) Rise time $t_r = (V_{IL\text{MAX}} - 0.15)$ to $(V_{IH\text{MIN}} + 0.15)$

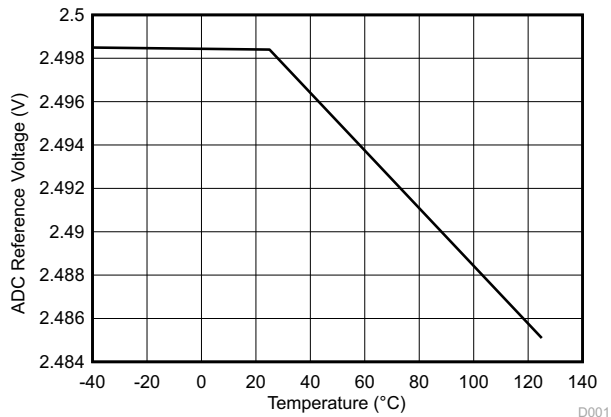


6-1. I²C/SMBus Timing Diagram

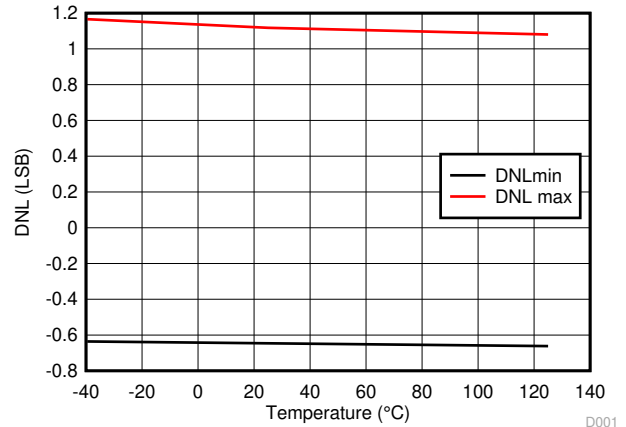


6-2. Bus Timing in Extended Mode

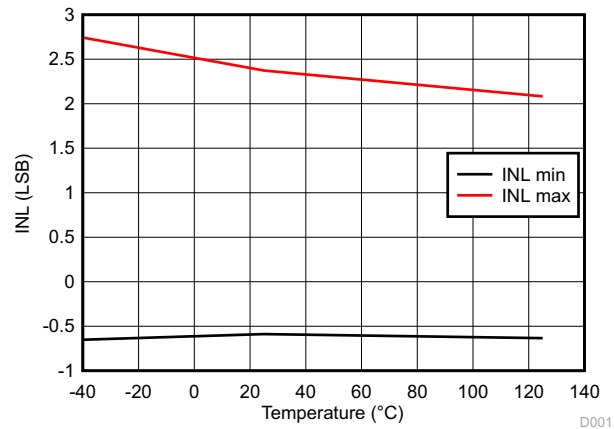
6.7 Typical Characteristics



6-3. ADC Reference Voltage vs Temperature



6-4. ADC Differential Nonlinearity vs Temperature



6-5. ADC Integral Nonlinearity vs Temperature

7 Detailed Description

7.1 Overview

Electronic systems that include CPU, DSP, microcontroller, FPGA, ASIC, and so forth can have multiple voltage rails and require certain power on/off sequences in order to function correctly. The UCD9090A can control up to 10 voltage rails and ensure correct power sequences during normal condition and fault conditions.

In addition to sequencing, UCD9090A can continuously monitor rail voltages, currents, temperatures, fault conditions, and report the system health information to a PMBus host, improving systems' long term reliability.

The Fault Pin feature enables easily cascading multiple devices and coordinates among those devices to take synchronized fault responses.

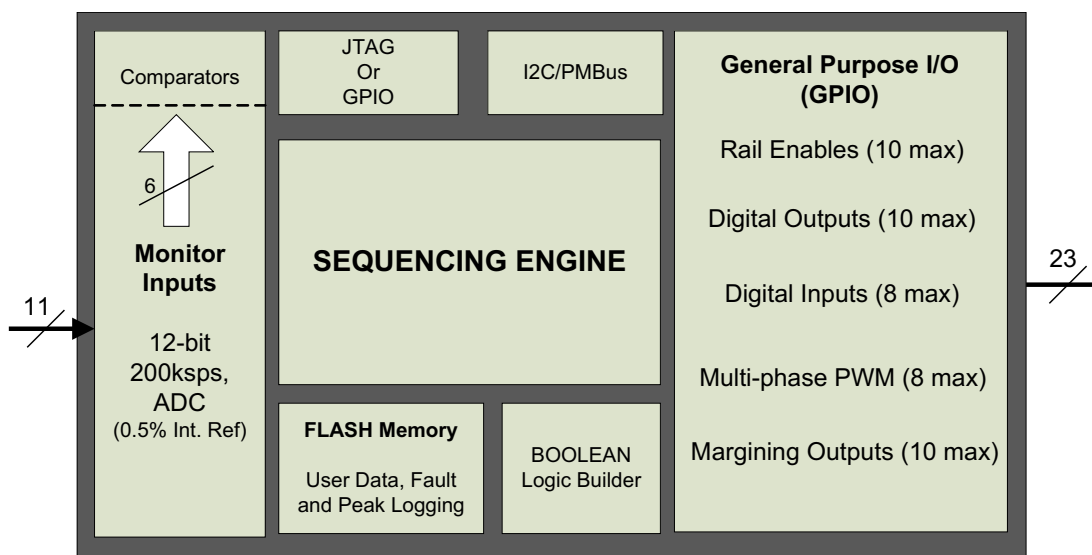
Also, UCD9090A can protect electronic systems by responding to power system faults. The fault responses are conveniently configured by users through Fusion GUI. Fault events are stored in on-chip nonvolatile flash memory with time stamp in order to assist failure analysis.

System reliability can be improved through four-corner testing during system verification. During four-corner testing, each voltage rail is required to operate at the minimum and maximum output voltages, commonly known as margining. UCD9090A can perform closed-loop margining for up to 10 voltage rails. During normal operation, UCD9090A can also actively trim DC output voltages using the same margining circuitry.

UCD9090A supports both PMBus-based and pin-based control environments. UCD9090A functions as a PMBus slave. It can communicate with PMBus host with PMBus commands, and control voltage rails accordingly. Also, UCD9090A can be controlled by up to 8 GPIO configured GPI pins. One GPI pin can be used as the fault input which can shut down rails. The GPIs can be used as Boolean logic input to control up to 10 Logic GPO outputs. Each Logic GPO has a flexible Boolean logic builder. Input signals of the Boolean logic builder can include GPIs, other Logic GPO outputs, and selectable system flags such as POWER_GOOD, faults, warnings, etc. A simple state machine is also available for each Logic GPO pin.

UCD9090A provides additional features such as cascading, pin-selected states, system watchdog, system reset, runtime clock, peak value log, reset counter, and so on. Pin-selected states feature allows users to use up to 3 GPIs to define up to 8 rail states. These states can implement system low-power modes as set out in the Advanced Configuration and Power Interface (ACPI) specification. Other features will be introduced in the following sections of this data sheet.

7.2 Functional Block Diagram



48-pin QFN

Copyright © 2016, Texas Instruments Incorporated

7.3 Feature Description

7.3.1 TI Fusion GUI

The Texas Instruments *Fusion Digital Power Designer* is provided for device configuration. This PC-based graphical user interface (GUI) offers an intuitive I²C/PMBus interface to the device. It allows the design engineer to configure the system operating parameters for the application without directly using PMBus commands, store the configuration to on-chip nonvolatile memory, and observe system status (voltage, etc). *Fusion Digital Power Designer* is referenced throughout the data sheet as *Fusion GUI* and many sections include screenshots. The *Fusion GUI* can be downloaded from www.ti.com.

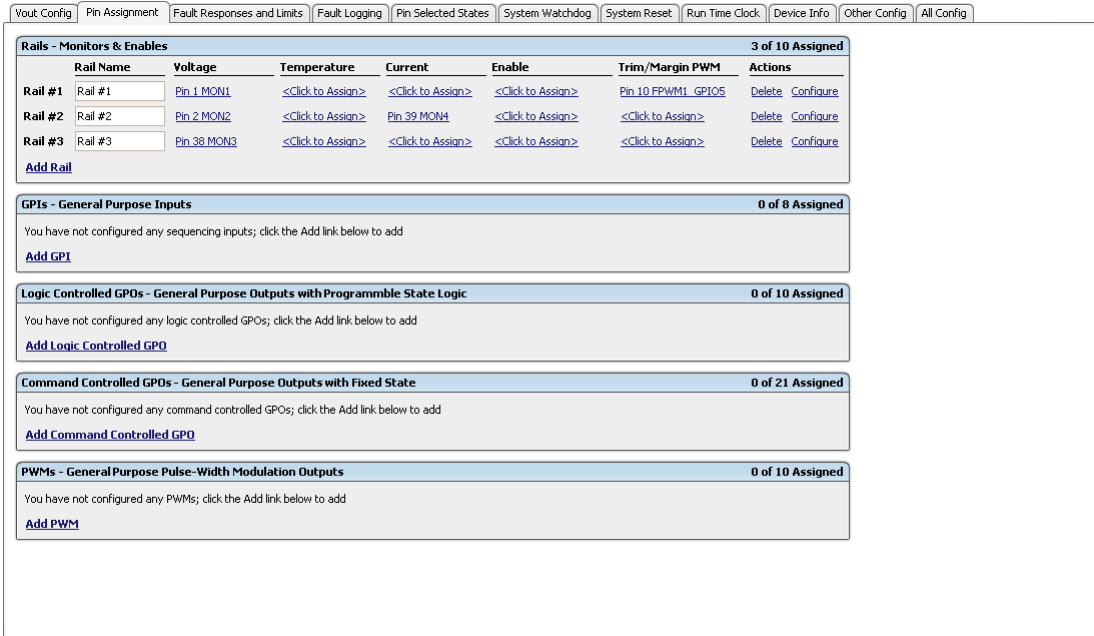
7.3.2 PMBus Interface

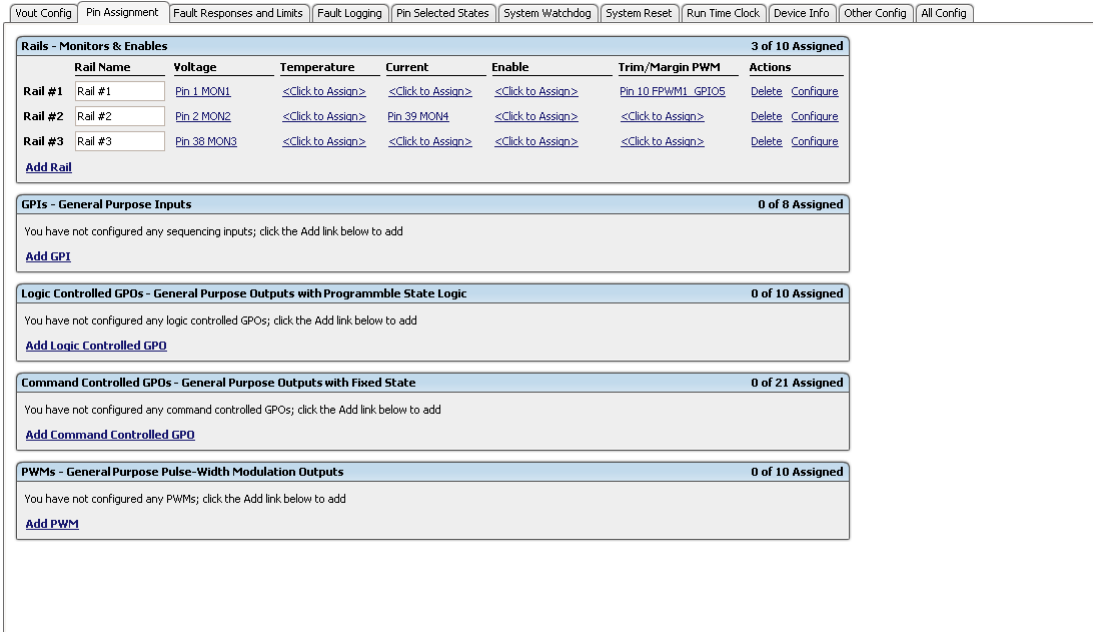
The PMBus is a serial interface specifically designed to support power management. It is based on the SMBus interface that is built on the I²C physical specification. The UCD9090A supports revision 1.1 of the PMBus standard. Wherever possible, standard PMBus commands are used to support the function of the device. For unique features of the UCD9090A, MFR_SPECIFIC commands are defined to configure or activate those features. These commands are defined in the *UCD90xxx Sequencer and System Health Controller PMBus Command Reference (SLVU352)*. The most current UCD90xxx PMBus™ Command Reference can be found within the TI Fusion Digital Power Designer software via the Help Menu (Help, Documentation & Help Center, Sequencers tab, Documentation section).

This document makes frequent mention of the PMBus specification. Specifically, this document is *PMBus Power System Management Protocol Specification Part II – Command Language*, Revision 1.1, dated 5 February 2007. The specification is published by the Power Management Bus Implementers Forum and is available from www.PMBus.org.

The UCD9090A is PMBus compliant, in accordance with the *Compliance* section of the PMBus specification. The firmware is also compliant with the SMBus 1.1 specification, including support for the SMBus ALERT function. The hardware can support either 100-kHz or 400-kHz PMBus operation.

7.3.3 Rail Configuration

A rail includes voltage, a power supply enable and a margining output. At least one must be included in a rail definition. Once the user has defined how the power supply rails should operate in a particular system, analog input pins and GPIOs can be selected to monitor and enable each supply ( 7-1).



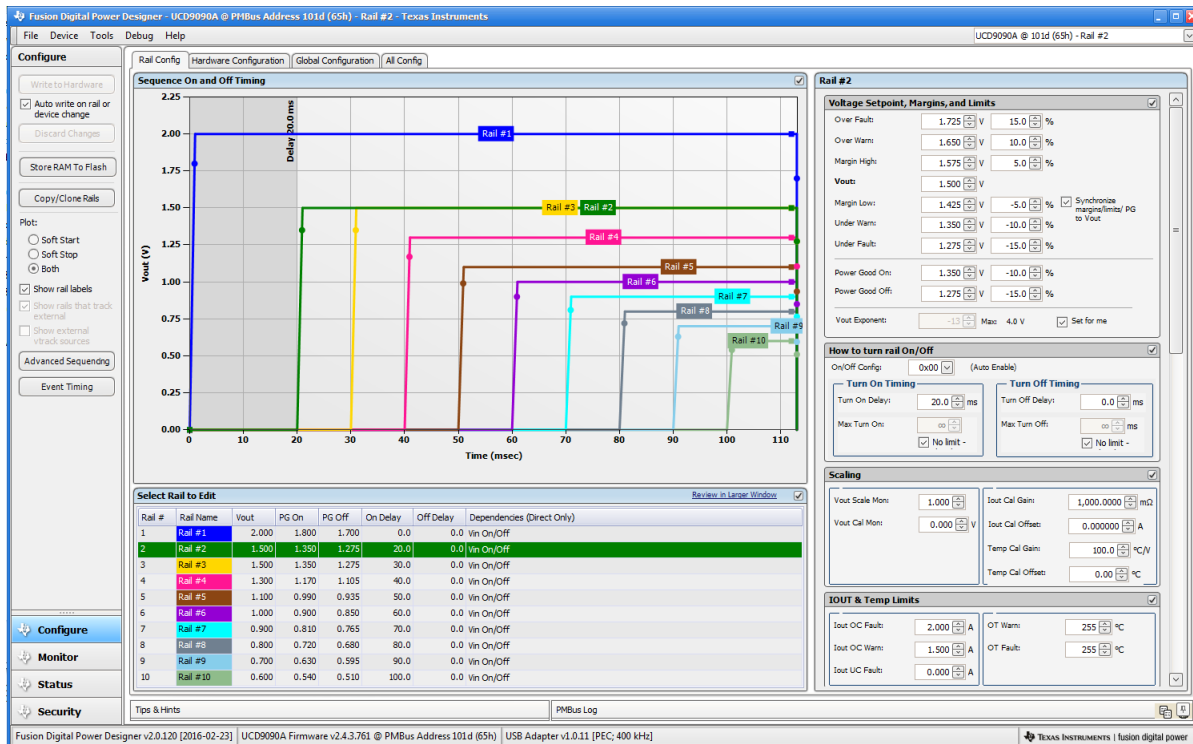
The screenshot shows the 'Pin Assignment' tab in the Fusion GUI. It features a navigation bar at the top with tabs for 'Vout Config', 'Pin Assignment', 'Fault Responses and Limits', 'Fault Logging', 'Pin Selected States', 'System Watchdog', 'System Reset', 'Run Time Clock', 'Device Info', 'Other Config', and 'All Config'. The main content area is divided into several sections:

- Rails - Monitors & Enables**: A table with 3 of 10 Assigned. The table has columns for Rail Name, Voltage, Temperature, Current, Enable, Trim/Margin PWM, and Actions. It lists Rail #1, Rail #2, and Rail #3 with their respective pin assignments and actions like 'Delete' and 'Configure'.
- GPIOs - General Purpose Inputs**: 0 of 8 Assigned. A message states: 'You have not configured any sequencing inputs; click the Add link below to add'. Includes an 'Add GPI' link.
- Logic Controlled GPIOs - General Purpose Outputs with Programmable State Logic**: 0 of 10 Assigned. A message states: 'You have not configured any logic controlled GPIOs; click the Add link below to add'. Includes an 'Add Logic Controlled GPIO' link.
- Command Controlled GPIOs - General Purpose Outputs with Fixed State**: 0 of 21 Assigned. A message states: 'You have not configured any command controlled GPIOs; click the Add link below to add'. Includes an 'Add Command Controlled GPIO' link.
- PWMs - General Purpose Pulse-Width Modulation Outputs**: 0 of 10 Assigned. A message states: 'You have not configured any PWMs; click the Add link below to add'. Includes an 'Add PWM' link.

 7-1. Fusion GUI Pin-Assignment Tab

After the pins have been configured, other key monitoring and sequencing criteria are selected for each rail from the V_{OUT} Config tab (☒ 7-2):

- Nominal operating voltage (V_{OUT})
- Undervoltage (UV) and overvoltage (OV) warning and fault limits
- Margin-low and margin-high values
- Power-good on and power-good off limits
- PMBus or pin-based sequencing control (On/Off Config)
- Rails, GPOs, and GPIs for Sequence On dependencies
- Rails, GPOs, and GPIs for Sequence Off dependencies
- Turn-on and turn-off delay timing
- Maximum time allowed for a rail to reach $POWER_GOOD_ON$ or $POWER_GOOD_OFF$ after being enabled or disabled
- Other rails to turn off in case of a fault on a rail (fault-shutdown slaves)



☒ 7-2. Fusion GUI V_{OUT} -Config Tab

The **Synchronize margins/limits/PG to Vout** checkbox is an easy way to change the nominal operating voltage of a rail and also update all of the other limits associated with that rail according to the percentages shown to the right of each entry.

The plot in the upper left section of ☒ 7-2 shows a simulation of the overall sequence-on and sequence-off configuration, including the nominal voltage, the turnon and turnoff delay times, the power-good on and power-good off voltages and any timing dependencies between the rails.

After a rail voltage has reached its $POWER_GOOD_ON$ voltage and is considered to be in regulation, it is compared against two UV and two OV thresholds in order to determine if a warning or fault limit has been exceeded. If a fault is detected, the UCD9090A responds based on a variety of flexible, user-configured options. Faults can cause rails to restart, shut down immediately, sequence off using turnoff delay times or shut down a group of rails and sequence them back on. Different types of faults can result in different responses.

Fault responses, along with a number of other parameters including user-specific manufacturing information and external scaling and offset values, are selected in the different tabs within the Configure function of the *Fusion*

GUI. Once the configuration satisfies the user requirements, it can be written to device SRAM if *Fusion GUI* is connected to a UCD9090A using an I²C/PMBus. SRAM contents can then be stored to data flash memory so that the configuration remains in the device after a reset or power cycle.

The *Fusion GUI* Monitor page has a number of options, including a device dashboard and a system dashboard, for viewing and controlling device and system status.

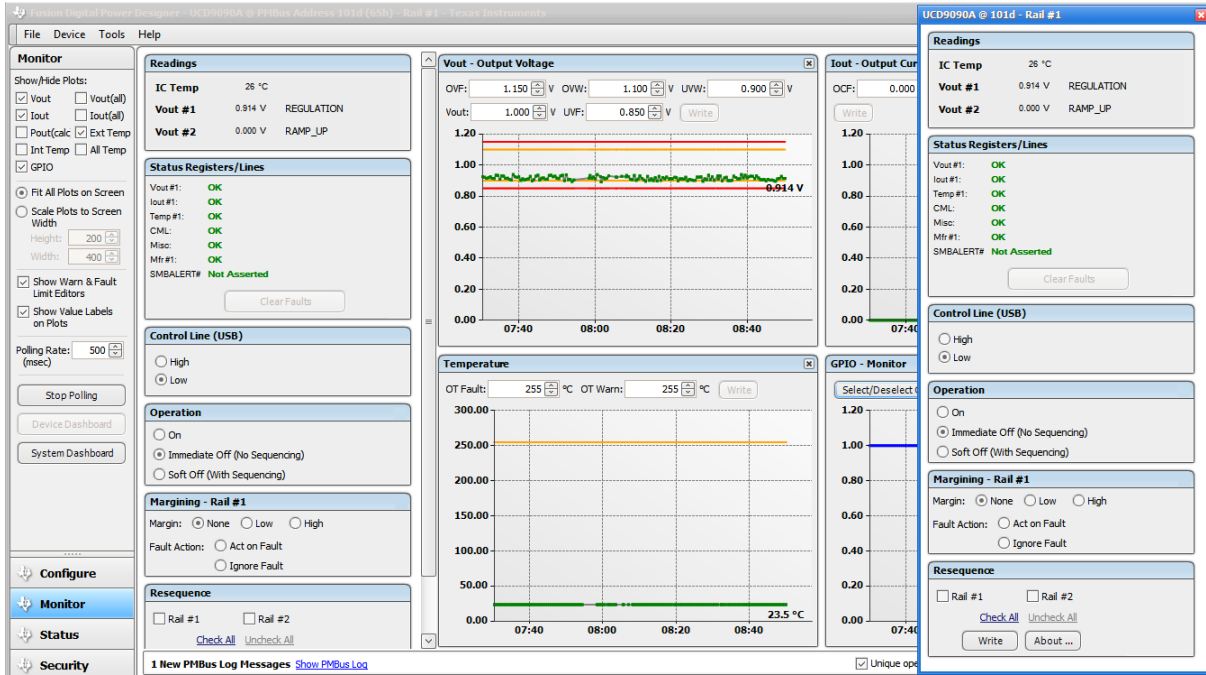


图 7-3. Fusion GUI Monitor Page

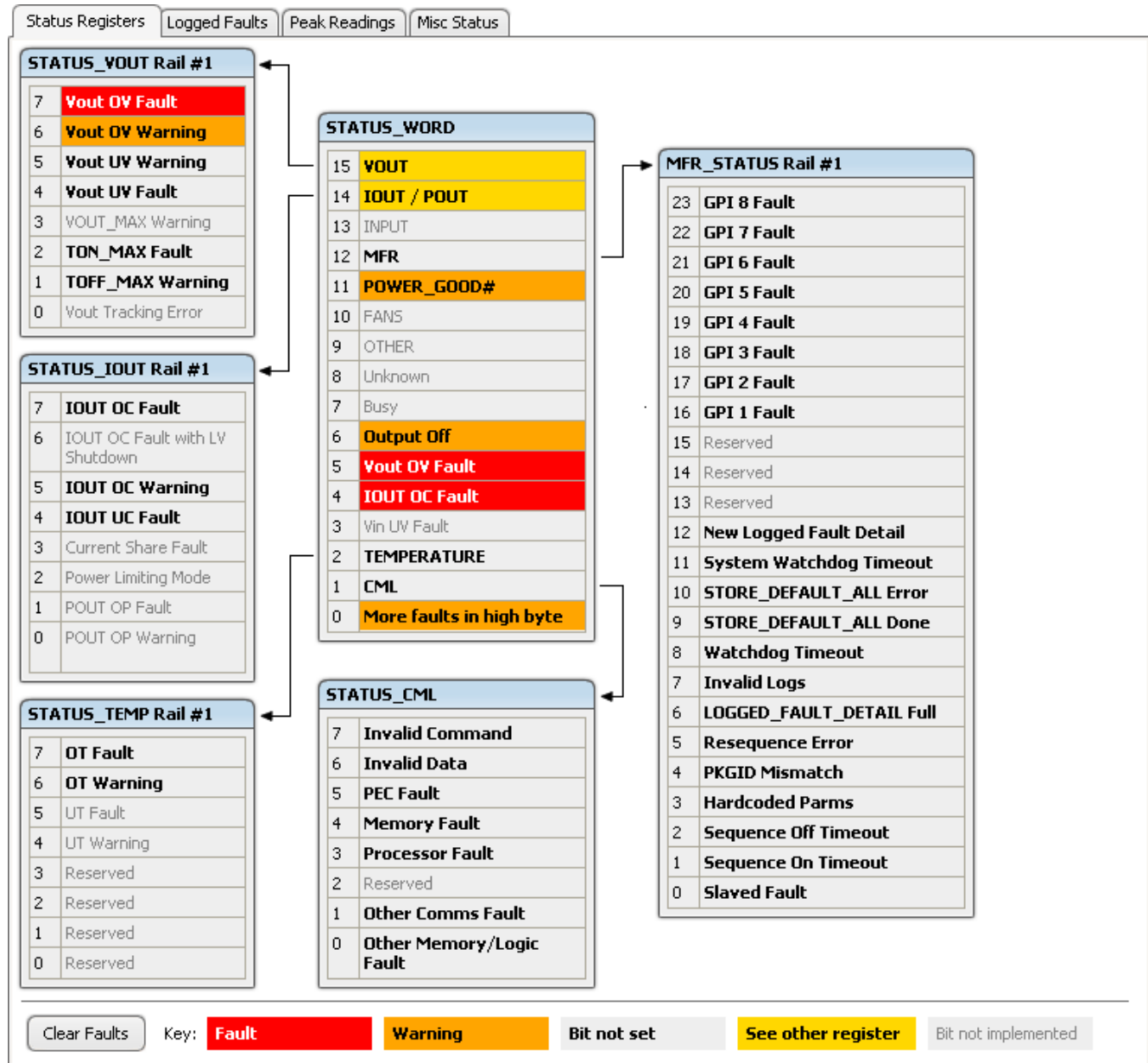
The UCD9090A also has rail state for each rail to debug the system.

表 7-1. Rail State

| RAIL STATE | VALUE | DESCRIPTION |
|-------------|-------|--|
| IDLE | 1 | On condition is not met, or rail is shut down due to fault, or rail is waiting for the resequence |
| SEQ_ON | 2 | Wait the dependency to be met to assert ENABLE signal |
| START_DELAY | 3 | TON_DELAY to assert ENABLE signal |
| RAMP_UP | 4 | Enable is asserted and rail is on the way to reach power good threshold. If the power good threshold is set to 0 V, the rail stays at this state even if the monitored voltage is bigger than 0 V. |
| REGULATION | 5 | Once the monitoring voltage is over POWER_GOOD when enable signal is asserted, rails stay at this state even if the voltage is below POWER_GOOD late as long as there is no fault action taken. |
| SEQ_OFF | 6 | Wait the dependency to be met to de-assert ENABLE signal |
| STOP_DELAY | 7 | TOFF_DELAY to de-assert ENABLE signal |
| RAMP_DOWN | 8 | Enable signal is de-asserted and rail is ramping down. This state is only available if TOFF_MAX_WARN_LIMIT is not set to unlimited; or If the turn off is triggered by a fault action, rail must not be under fault retry to show RAMP DOWN state. Otherwise, IDLE state is present. |

The UCD9090A also has status registers for each rail and the capability to log faults to flash memory for use in system troubleshooting. This is helpful in the event of a power supply or system failure. The status registers (图 7-4) and the fault log (图 7-5) are available in the *Fusion GUI*. See the *UCD90xx Sequencer and System Health*

Controller PMBus Command Reference (SLVU352) and the PMBus Specification for detailed descriptions of each status register and supported PMBus commands.



7-4. Fusion GUI Rail-Status Register

Status Registers Logged Faults Peak Readings Misc Status

| Common | GPIs | Rail #1 Faults | Rail #2 Faults | Rail #3 Faults | Rail #4 Faults |
|---------------------------|---------------|-------------------|-------------------|-------------------|-------------------|
| 7 Reserved | 7 GPI 8 Fault | 7 SEQ_OFF_TIMEOUT | 7 SEQ_OFF_TIMEOUT | 7 SEQ_OFF_TIMEOUT | 7 SEQ_OFF_TIMEOUT |
| 6 Reserved | 6 GPI 7 Fault | 6 SEQ_ON_TIMEOUT | 6 SEQ_ON_TIMEOUT | 6 SEQ_ON_TIMEOUT | 6 SEQ_ON_TIMEOUT |
| 5 Reserved | 5 GPI 6 Fault | 5 OT Fault | 5 OT Fault | 5 OT Fault | 5 OT Fault |
| 4 Reserved | 4 GPI 5 Fault | 4 IOUT UC Fault | 4 IOUT UC Fault | 4 IOUT UC Fault | 4 IOUT UC Fault |
| 3 Watchdog Timeout | 3 GPI 4 Fault | 3 IOUT OC Fault | 3 IOUT OC Fault | 3 IOUT OC Fault | 3 IOUT OC Fault |
| 2 Re-Sequence Error | 2 GPI 3 Fault | 2 TON_MAX Fault | 2 TON_MAX Fault | 2 TON_MAX Fault | 2 TON_MAX Fault |
| 1 System Watchdog Timeout | 1 GPI 2 Fault | 1 Vout UV Fault | 1 Vout UV Fault | 1 Vout UV Fault | 1 Vout UV Fault |
| 0 Log Not Empty | 0 GPI 1 Fault | 0 Vout OV Fault | 0 Vout OV Fault | 0 Vout OV Fault | 0 Vout OV Fault |

| Rail #5 Faults | Rail #6 Faults | Rail #7 Faults | Rail #8 Faults | Rail #9 Faults | Rail #10 Faults |
|-------------------|-------------------|-------------------|-------------------|-------------------|-------------------|
| 7 SEQ_OFF_TIMEOUT | 7 SEQ_OFF_TIMEOUT | 7 SEQ_OFF_TIMEOUT | 7 SEQ_OFF_TIMEOUT | 7 SEQ_OFF_TIMEOUT | 7 SEQ_OFF_TIMEOUT |
| 6 SEQ_ON_TIMEOUT | 6 SEQ_ON_TIMEOUT | 6 SEQ_ON_TIMEOUT | 6 SEQ_ON_TIMEOUT | 6 SEQ_ON_TIMEOUT | 6 SEQ_ON_TIMEOUT |
| 5 OT Fault | 5 OT Fault | 5 OT Fault | 5 OT Fault | 5 OT Fault | 5 OT Fault |
| 4 IOUT UC Fault | 4 IOUT UC Fault | 4 IOUT UC Fault | 4 IOUT UC Fault | 4 IOUT UC Fault | 4 IOUT UC Fault |
| 3 IOUT OC Fault | 3 IOUT OC Fault | 3 IOUT OC Fault | 3 IOUT OC Fault | 3 IOUT OC Fault | 3 IOUT OC Fault |
| 2 TON_MAX Fault | 2 TON_MAX Fault | 2 TON_MAX Fault | 2 TON_MAX Fault | 2 TON_MAX Fault | 2 TON_MAX Fault |
| 1 Vout UV Fault | 1 Vout UV Fault | 1 Vout UV Fault | 1 Vout UV Fault | 1 Vout UV Fault | 1 Vout UV Fault |
| 0 Vout OV Fault | 0 Vout OV Fault | 0 Vout OV Fault | 0 Vout OV Fault | 0 Vout OV Fault | 0 Vout OV Fault |

||

Logged Faults Detail 1 of 26 Logged Faults

| | | |
|----------|----------------------|--------------------------------|
| Fault #1 | 0 Days, 00:11:10.086 | Rail #2 IOUT UC Fault @ 0.00 A |
|----------|----------------------|--------------------------------|

 7-5. Fusion GUI Flash-Error Log (Logged Faults)

7.4 Device Functional Modes

7.4.1 Power Supply Sequencing

The UCD9090A can control the turn-on and turn-off sequencing of up to 10 voltage rails by using a GPIO to set a power supply enable pin high or low. In PMBus-based designs, the system PMBus master can initiate a sequence-on event by asserting the PMBus_CNTRL pin or by sending the OPERATION command over the I²C serial bus. In pin-based designs, the PMBus_CNTRL pin can also be used to sequence-on and sequence-off.

The auto-enable setting ignores the OPERATION command and the PMBus_CNTRL pin. Sequence-on is started at power up after any dependencies and time delays are met for each rail. A rail is considered to be on or within regulation when the measured voltage for that rail crosses the power-good on (POWER_GOOD_ON ¹) limit. The rail is still in regulation until the voltage drops below power-good off (POWER_GOOD_OFF). In the case that there isn't voltage monitoring set for a given rail, that rail is considered ON if it is commanded on (either by OPERATION command, PMBus_CNTRL pin, or auto-enable) and (TON_DELAY + TON_MAX_FAULT_LIMIT) time passes. Also, a rail is considered OFF if that rail is commanded OFF and (TOFF_DELAY + TOFF_MAX_WARN_LIMIT) time passes.

7.4.1.1 Turn-On Sequencing

The following sequence-on options are supported for each rail:

- Monitor only – do not sequence-on
- Fixed delay time (TON_DELAY) after an OPERATION command to turn on
- Fixed delay time after assertion of the PMBus_CNTRL pin
- Fixed time after one or a group of parent rails achieves regulation (POWER_GOOD_ON)
- Fixed time after a designated GPI has reached a user-specified state
- Fixed time after a designated GPO has reached a user-specified state
- Any combination of the previous options

The maximum TON_DELAY time is 3276 ms.

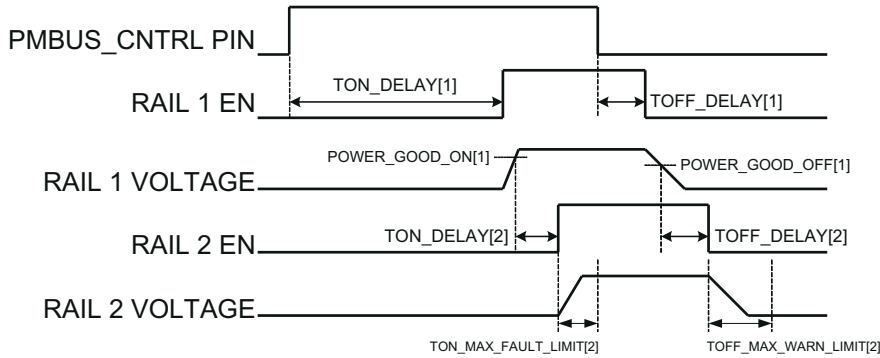
7.4.1.2 Turn-Off Sequencing

The following sequence-off options are supported for each rail:

- Monitor only – do not sequence-off
- Fixed delay time (TOFF_DELAY) after an OPERATION command to turn off
- Fixed delay time after deassertion of the PMBus_CNTRL pin
- Fixed time after one or a group of parent rails drop below regulation (POWER_GOOD_OFF)
- Fixed delay time in response to an undervoltage, overvoltage, or max turn-on fault on the rail
- Fixed delay time in response to a fault on a different rail when set as a fault shutdown slave to the faulted rail
- Fixed delay time in response to a GPI reaching a user-specified state
- Fixed time after a designated GPO has reached a user-specified state
- Any combination of the previous options

The maximum TOFF_DELAY time is 3276 ms.

¹ In this document, configuration parameters such as Power Good On are referred to using Fusion GUI names. *The UCD90xxx Sequencer and System Health Controller PMBus Command Reference* name is shown in parentheses (POWER_GOOD_ON) the first time the parameter appears.



- Rail 1 and Rail 2 are both sequenced “ON” and “OFF” by the PMBUS_CNTRL pin only
- Rail 2 has Rail 1 as an “ON” dependency
- Rail 1 has Rail 2 as an “OFF” dependency

图 7-6. Sequence-On and Sequence-Off Timing

7.4.1.3 Sequencing Configuration Options

In addition to the turn-on and turn-off sequencing options, the time between when a rail is enabled and when the monitored rail voltage must reach its power-good-on setting can be configured using max turn-on (TON_MAX_FAULT_LIMIT). Max turn-on can be set in 1-ms increments. A value of 0 ms means that there is no limit and the device can try to turn on the output voltage indefinitely.

Rails can be configured to turn off immediately or to sequence-off according to rail and GPI dependencies, and user-defined delay times. A sequenced shutdown is configured by selecting the appropriate rail and GPI dependencies, and turn-off delay (TOFF_DELAY) times for each rail. The turn-off delay times begin when the PMBus_CNTRL pin is deasserted, when the PMBus OPERATION command is used to give a soft-stop command, or when a fault occurs on a rail that has other rails set as fault-shutdown slaves.

Shutdowns on one rail can initiate shutdowns of other rails or controllers. In systems with multiple UCD9090As, it is possible for each controller to be both a master and a slave to another controller.

7.4.2 Pin-Selected Rail States

This feature allows with the use of up to 3 GPIs to enable and disable any rail. This is useful for implementing system low-power modes and the Advanced Configuration and Power Interface (ACPI) specification that is used for operating system directed power management in servers and PCs. In up to 8 system states, the power system designer can define which rails are on and which rails are off. If a new state is presented on the input pins, and a rail is required to change state, it will do so with regard to its sequence-on or sequence-off dependencies.

The OPERATION command is modified when this function causes a rail to change its state. This means that the ON_OFF_CONFIG for a given rail must be set to use the OPERATION command for this function to have any effect on the rail state. The first 3 pins configured with the GPI_CONFIG command are used to select 1 of 8 system states. Whenever the device is reset, these pins are sampled and the system state, if enabled, will be used to update each rail state. When selecting a new system state, changes to the status of the GPIs must not take longer than 1 microsecond. See the *UCD90xxx Sequencer and System Health Controller PMBus Command Reference* for complete configuration settings of PIN_SELECTED_RAIL_STATES.

表 7-2. GPI Selection of System States

| GPI 2 STATE | GPI 1 STATE | GPI 0 STATE | SYSTEM STATE |
|--------------|--------------|--------------|--------------|
| NOT Asserted | NOT Asserted | NOT Asserted | 0 |
| NOT Asserted | NOT Asserted | Asserted | 1 |
| NOT Asserted | Asserted | NOT Asserted | 2 |
| NOT Asserted | Asserted | Asserted | 3 |
| Asserted | NOT Asserted | NOT Asserted | 4 |
| Asserted | NOT Asserted | Asserted | 5 |
| Asserted | Asserted | NOT Asserted | 6 |

表 7-2. GPI Selection of System States (continued)

| GPI 2 STATE | GPI 1 STATE | GPI 0 STATE | SYSTEM STATE |
|-------------|-------------|-------------|--------------|
| Asserted | Asserted | Asserted | 7 |

7.4.3 Monitoring

The UCD9090A has 11 monitor input pins (MONx) that are multiplexed into a 2.5V referenced 12-bit ADC. The monitor pins can be configured so that they can measure voltage signals to report voltage, current and temperature type measurements. A single rail can include all three measurement types, each monitored on separate MON pins. If a rail has both voltage and current assigned to it, then the user can calculate power for the rail. Digital filtering applied to each MON input depends on the type of signal. Voltage inputs have no filtering. Current and temperature inputs have a low-pass filter.

7.4.3.1 Voltage Monitoring

Up to 11 voltages can be monitored using the analog input pins. The input voltage range is 0 V–2.5 V for all MONx inputs except MON11 (pin 37) which operates in the range between 0.2 V and 2.5 V. Any voltage between 0 V and 0.2 V on this pin is read as 0.2 V. External resistors can be used to attenuate voltages higher than 2.5 V.

The ADC operates continuously, requiring 3.89 μ s to convert a single analog input. Each rail is sampled by the sequencing and monitoring algorithm every 400 μ s. The maximum source impedance of any sampled voltage should be less than 4 k Ω . The source impedance limit is particularly important when a resistor-divider network is used to lower the voltage applied to the analog input pins.

MON1 - MON6 can be configured using digital hardware comparators, which can be used to achieve faster fault responses. Each hardware comparator has four thresholds (two UV (Fault and Warning) and two OV (Fault and Warning)). The hardware comparators respond to UV or OV conditions in about 80 μ s (faster than 400 μ s for the ADC inputs) and can be used to disable rails or assert GPOs. The only fault response available for the hardware comparators is to shut down immediately.

An internal 2.5-V reference is used by the ADC. The ADC reference has a tolerance of $\pm 0.5\%$ between 0°C and 125°C and a tolerance of $\pm 1\%$ between -40°C and 125°C. An external voltage divider is required for monitoring voltages higher than 2.5 V. The nominal rail voltage and the external scale factor can be entered into the *Fusion GUI* and are used to report the actual voltage being monitored instead of the ADC input voltage. The nominal voltage is used to set the range and precision of the reported voltage according to 表 7-3.

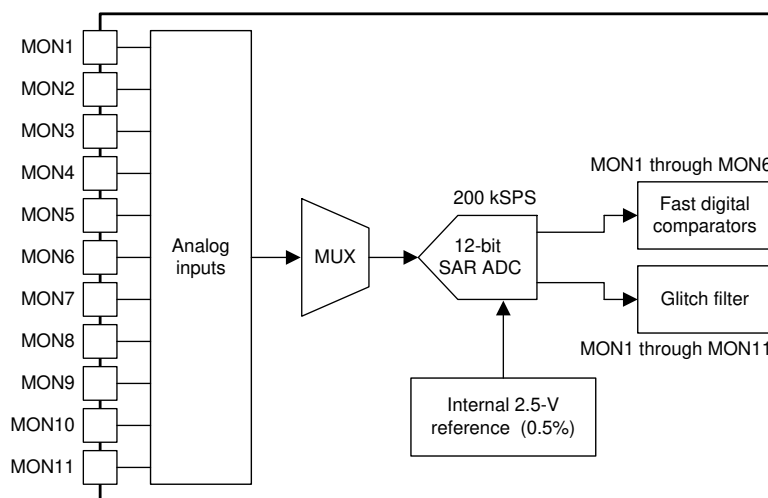


图 7-7. Voltage Monitoring Block Diagram

表 7-3. Voltage Range and Resolution

| VOLTAGE RANGE (V) | RESOLUTION (mV) |
|-------------------|-----------------|
| 0 to 127.99609 | 3.90625 |
| 0 to 63.99805 | 1.95313 |
| 0 to 31.99902 | 0.97656 |
| 0 to 15.99951 | 0.48824 |
| 0 to 7.99976 | 0.24414 |
| 0 to 3.99988 | 0.12207 |
| 0 to 1.99994 | 0.06104 |
| 0 to 0.99997 | 0.03052 |

Although the monitor results can be reported with a resolution of approximately 15 μ V, the true conversion resolution of 610 μ V is fixed by the 2.5-V reference and the 12-bit ADC.

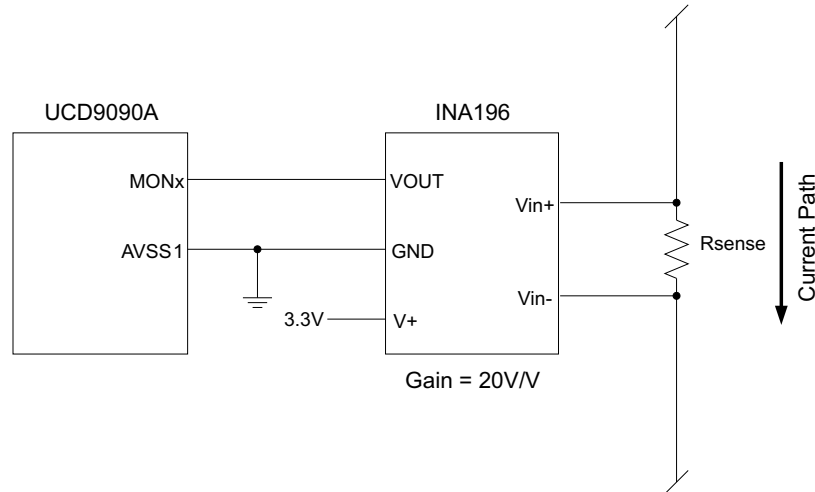
7.4.3.2 Current Monitoring

Current can be monitored using the analog inputs. External circuitry, see [Figure 7-8](#), must be used in order to convert the current to a voltage within the range of the UCD9090A MONx input being used.

If a monitor input is configured as a current, the measurements are smoothed by a sliding-average digital filter. The current for 1 rail is measured every 200 μ s. If the device is programmed to support 10 rails (independent of current not being monitored at all rails), then each rail's current will get measured every 2ms. The current calculation is done with a sliding average using the last 4 measurements. The filter reduces the probability of false fault detections, and introduces a small delay to the current reading. If a rail is defined with a voltage monitor and a current monitor, then monitoring for undercurrent warnings begins once the rail voltage reaches POWER_GOOD_ON. If the rail does not have a voltage monitor, then current monitoring begins after TON_DELAY.

The device supports multiple PMBus commands related to current, including READ_IOUT, which reads external currents from the MON pins; IOUT_OC_FAULT_LIMIT, which sets the overcurrent fault limit; IOUT_OC_WARN_LIMIT, which sets the overcurrent warning limit; and IOUT_UC_FAULT_LIMIT, which sets the undercurrent fault limit. The *UCD90xxx Sequencer and System Health Controller PMBus Command Reference* contains a detailed description of how current fault responses are implemented using PMBus commands.

IOUT_CAL_GAIN is a PMBus command that allows the scale factor of an external current sensor and any amplifiers or attenuators between the current sensor and the MON pin to be entered by the user in milliohms. IOUT_CAL_OFFSET is the current that results in 0 V at the MON pin. The combination of these PMBus commands allows current to be reported in amperes. The example below using the INA196 would require programming IOUT_CAL_GAIN to $R_{sense}(m\Omega) \times 20$.



Copyright © 2016, Texas Instruments Incorporated

7-8. Current Monitoring Circuit Example Using the INA196

7.4.3.3 Remote Temperature Monitoring and Internal Temperature Sensor

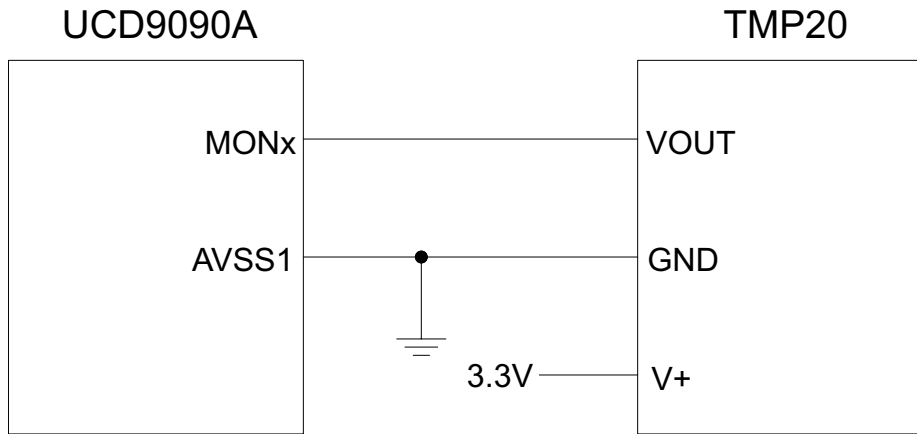
The UCD9090A has support for internal and remote temperature sensing. The internal temperature sensor requires no calibration and can report the device temperature via the PMBus interface. The remote temperature sensor can report the remote temperature by using a configurable gain and offset for the type of sensor that is used in the application such as a linear temperature sensor (LTS) connected to the analog inputs.

External circuitry must be used in order to convert the temperature to a voltage within the range of the UCD9090A MONx input being used.

If an input is configured as a temperature, the measurements are smoothed by a sliding average digital filter. The temperature for 1 rail is measured every 100ms. If the device is programmed to support 10 rails (independent of temperature not being monitored at all rails), then each rail's temperature will get measured every 1s. The temperature calculation is done with a sliding average using the last 16 measurements. The filter reduces the probability of false fault detections, and introduces a small delay to the temperature reading. The internal device temperature is measured using a silicon diode sensor with an accuracy of $\pm 5^{\circ}\text{C}$ and is also monitored using the ADC. Temperature monitoring begins immediately after reset and initialization.

The device supports multiple PMBus commands related to temperature, including READ_TEMPERATURE_1, which reads the internal temperature; READ_TEMPERATURE_2, which reads external temperatures; and OT_FAULT_LIMIT and OT_WARN_LIMIT, which set the overtemperature fault and warning limit. The *UCD90xxx Sequencer and System Health Controller PMBus Command Reference* contains a detailed description of how temperature-fault responses are implemented using PMBus commands.

TEMPERATURE_CAL_GAIN is a PMBus command that allows the scale factor of an external temperature sensor and any amplifiers or attenuators between the temperature sensor and the MON pin to be entered by the user in $^{\circ}\text{C}/\text{V}$. TEMPERATURE_CAL_OFFSET is the temperature that results in 0 V at the MON pin. The combination of these PMBus commands allows temperature to be reported in degrees Celsius.



$$V_{out} = -11.67\text{mV}/^{\circ}\text{C} \times T + 1.8583$$

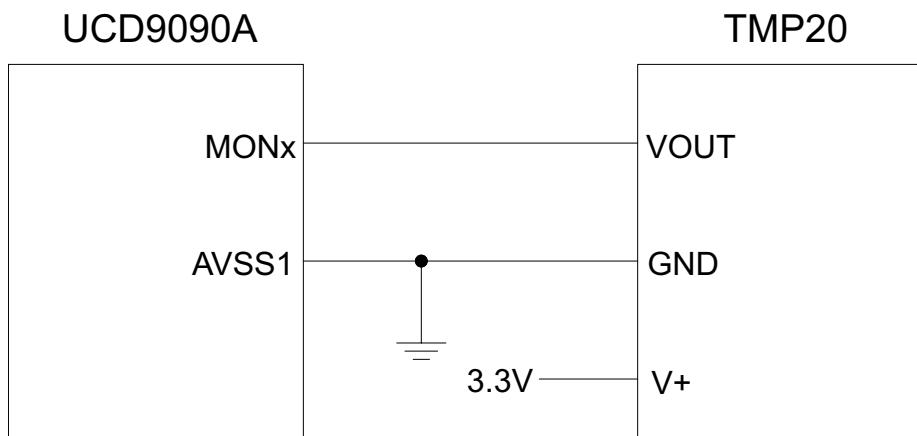
at $-40^{\circ}\text{C} < T < 85^{\circ}\text{C}$

Copyright © 2016, Texas Instruments Incorporated

7-9. Remote Temperature Monitoring Circuit Example Using the TMP20

7.4.3.4 Temperature by Host Input

If the host system has the option of not using the temperature-sensing capability of the UCD9090A, it can still provide the desired temperature to the UCD9090A through PMBus. The host may have temperature measurements available through I2C or SPI interfaced temperature sensors. The UCD9090A would use the temperature given by the host in place of an external temperature measurement for a given rail. The temperature provided by the host would still be used for detecting overtemperature warnings or faults, logging peak temperatures, input to Boolean logic-builder functions, and feedback for the fan-control algorithms. To write a temperature associated with a rail, the PMBus command used is the READ_TEMPERATURE_2 command. If the host writes that command, the value written will be used as the temperature until another value is written. This is true whether a monitor pin was assigned to the temperature or not. When there is a monitor pin associated with the temperature, once READ_TEMPERATURE_2 is written, the monitor pin is not used again until the part is reset. When there is not a monitor pin associated with the temperature, the internal temperature sensor is used for the temperature until the READ_TEMPERATURE_2 command is written.



$$V_{out} = -11.67\text{mV}/^{\circ}\text{C} \times T + 1.8583$$

at $-40^{\circ}\text{C} < T < 85^{\circ}\text{C}$

Copyright © 2016, Texas Instruments Incorporated

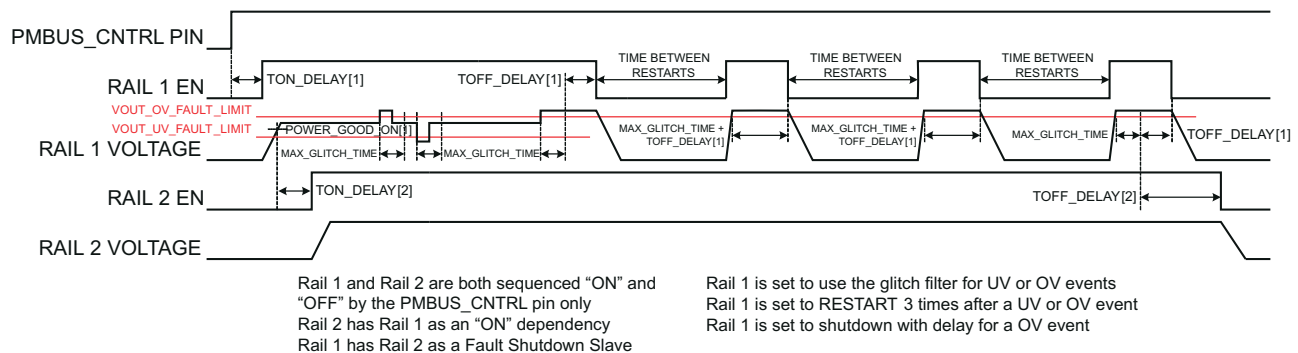
7-10. Temperature Provided by Host

7.4.4 Fault Responses and Alert Processing

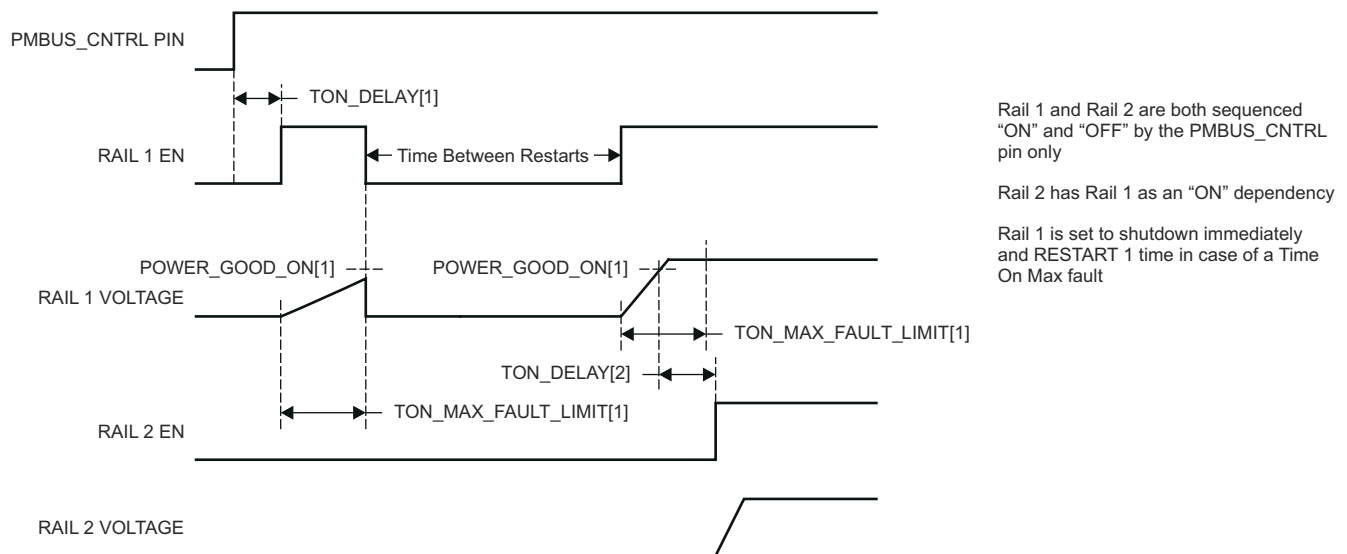
The UCD9090A monitors whether the rail stays within a window of normal operation.. There are two programmable warning levels (under and over) and two programmable fault levels (under and over). When any monitored voltage goes outside of the warning or fault window, the PMBALERT# pin is asserted immediately, and the appropriate bits are set in the PMBus status registers (see [7-4](#)). Detailed descriptions of the status registers are provided in the *UCD90xxx Sequencer and System Health Controller PMBus Command Reference* and the *PMBus Specification*.

A programmable glitch filter can be enabled or disabled for each MON input. A glitch filter for an input defined as a voltage can be set between 0 and 102 ms with 400- μ s resolution. The glitch filter only applies to fault responses; a fault condition that is filtered by the glitch filter will still be recorded in the fault log.

Fault-response decisions are based on results from the 12-bit ADC. The device cycles through the ADC results and compares them against the programmed limits. The time to respond to an individual event is determined by when the event occurs within the ADC conversion cycle and the selected fault response.



7-11. Sequencing and Fault-Response Timing



7-12. Maximum Turn-On Fault

The configurable fault limits are:

TON_MAX_FAULT – Flagged if a rail that is enabled does not reach the POWER_GOOD_ON limit within the configured time

VOUT_UV_WARN – Flagged if a voltage rail drops below the specified UV warning limit after reaching the POWER_GOOD_ON setting

VOUT_UV_FAULT – Flagged if a rail drops below the specified UV fault limit after reaching the POWER_GOOD_ON setting

VOUT_OV_WARN – Flagged if a rail exceeds the specified OV warning limit at any time during startup or operation

VOUT_OV_FAULT – Flagged if a rail exceeds the specified OV fault limit at any time during startup or operation

MAX_TOFF_WARN – Flagged if a rail that is commanded to shut down does not reach 12.5% of the nominal rail voltage within the configured time

Faults are more serious than warnings. The PMBALERT# pin is always asserted immediately if a warning or fault occurs. If a warning occurs, the following takes place:

Warning Actions

- Immediately assert the PMBALERT# pin
- Status bit is flagged
- Assert a GPIO pin (optional)
- Warnings are not logged to flash

A number of fault response options can be chosen from:

Fault Responses

- *Continue Without Interruption*: Flag the fault and take no action
- *Shut Down Immediately*: Shut down the faulted rail immediately
- *Shut Down using TOFF_DELAY*: If a fault occurs on a rail, schedule the shutdown of this rail and all fault-shutdown slaves. All selected rails, including the faulty rail, are sequenced off according to their sequence-off dependencies and T_OFF_DELAY times.

Restart

- *Do Not Restart*: Do not attempt to restart a faulted rail after it has been shut down.
- *Restart Up To N Times*: Attempt to restart a faulted rail up to 14 times after it has been shut down. The time between restarts is measured between when the rail enable pin is deasserted (after any glitch filtering and turn-off delay times, if configured to observe them) and then reasserted. It can be set between 0 and 1275 ms in 5-ms increments.
- *Restart Continuously*: Same as *Restart Up To N Times* except that the device continues to restart until the fault goes away, it is commanded off by the specified combination of PMBus OPERATION command and PMBus_CNTRL pin status, the device is reset, or power is removed from the device.
- *Shut Down Rails and Sequence On (Re-sequence)*: Shut down selected rails immediately or after continue-operation time is reached and then sequence-on those rails using sequence-on dependencies and T_ON_DELAY times.

One GPI pin can also trigger faults if the GPI Fault Enable checkbox in [☒ 7-17](#) is checked and proper responses are set in [☒ 7-18](#). Refer to [セクション 7.4.9](#) for more details.

7.4.5 Shut Down All Rails and Sequence On (Resequence)

In response to a fault, or a RESEQUENCE command, the UCD9090A can be configured to turn off a set of rails and then sequence them back on. To sequence all rails in the system, then all rails must be selected as fault-shutdown slaves of the faulted rail. The rails designated as fault-shutdown slaves will do soft shutdowns regardless of whether the faulted rail is set to stop immediately or stop with delay. Shut-down-all-rails and sequence-on are not performed until retries are exhausted for a given fault.

While waiting for the rails to turn off, an error is reported if any of the rails reaches its TOFF_MAX_WARN_LIMIT. There is a configurable option to continue with the resequencing operation if this occurs. After the faulted rail and fault-shutdown slaves sequence-off, the UCD9090A waits for a programmable delay time between 0 and 1275 ms in increments of 5 ms and then sequences-on the faulted rail and fault-shutdown slaves according to the start-up sequence configuration. This is repeated until the faulted rail and fault-shutdown slaves successfully achieve regulation or for a user-selected 1, 2, 3, 4 or unlimited times. If the resequence operation is successful, the resequence counter is reset if all of the rails that were resequenced maintain normal operation for one second.

Once shut-down-all-rails and sequence-on begin, any faults on the fault-shutdown slave rails are ignored. If there are two or more simultaneous faults with different fault-shutdown slaves, the more conservative action is taken. For example, if a set of rails is already on its second resequence and the device is configured to resequence three times, and another set of rails enters the resequence state, that second set of rails is only resequenced once. Another example – if one set of rails is waiting for all of its rails to shut down so that it can resequence, and another set of rails enters the resequence state, the device now waits for all rails from both sets to shut down before resequencing.

If any rails at resequence state are caused by a GPI fault response, the whole resequence is suspended until the GPI fault is clear.

7.4.6 GPIOs

The UCD9090A has 21 GPIO pins that can function as either inputs or outputs. Each GPIO has configurable output mode options including open-drain or push-pull outputs that can be actively driven to 3.3 V or ground. There are an additional two pins that can be used as either inputs or PWM outputs but not as GPOs. 表 7-4 lists possible uses for the GPIO pins and the maximum number of each type for each use. GPIO pins can be dependents in sequencing and alarm processing. They can also be used for system-level functions such as external interrupts, power-goods, resets, or for the cascading of multiple devices. GPOs can be sequenced up or down by configuring a rail without a MON pin but with a GPIO set as an enable.

表 7-4. GPIO Pin Configuration Options

| PIN NAME | PIN | RAIL EN (10 MAX) | GPI (8 MAX) | GPO (10 MAX) | PWM OUT (10 MAX) | MARGIN PWM (10 MAX) |
|--------------|-----|---------------------|----------------|-----------------|---------------------|------------------------|
| FPWM1/GPIO5 | 10 | X | X | X | X | X |
| FPWM2/GPIO6 | 11 | X | X | X | X | X |
| FPWM3/GPIO7 | 12 | X | X | X | X | X |
| FPWM4/GPIO8 | 13 | X | X | X | X | X |
| FPWM5/GPIO9 | 14 | X | X | X | X | X |
| FPWM6/GPIO10 | 15 | X | X | X | X | X |
| FPWM7/GPIO11 | 16 | X | X | X | X | X |
| FPWM8/GPIO12 | 17 | X | X | X | X | X |
| GPI1/PWM1 | 22 | | X | | X | X |
| GPI2/PWM2 | 23 | | X | | X | X |
| GPIO1 | 4 | X | X | X | | |
| GPIO2 | 5 | X | X | X | | |
| GPIO3 | 6 | X | X | X | | |
| GPIO4 | 7 | X | X | X | | |
| GPIO13 | 18 | X | X | X | | |
| GPIO14 | 21 | X | X | X | | |
| GPIO15 | 24 | X | X | X | | |
| GPIO16 | 25 | X | X | X | | |
| GPIO17 | 26 | X | X | X | | |
| TCK/GPIO18 | 27 | X | X | X | | |
| TDO/GPIO19 | 28 | X | X | X | | |
| TDI/GPIO20 | 29 | X | X | X | | |
| TMS/GPIO21 | 30 | X | X | X | | |

7.4.7 GPO Control

The GPIOs when configured as outputs can be controlled by PMBus commands or through logic defined in internal Boolean function blocks. Controlling GPOs by PMBus commands (GPIO_SELECT and GPIO_CONFIG) can be used to have control over LEDs, enable switches, etc. with the use of an I2C interface. See the UCD90xxx Sequencer and System Health Controller PMBus Command Reference for details on controlling a GPO using PMBus commands.

7.4.8 GPO Dependencies

GPIOs can be configured as outputs that are based on Boolean combinations of up to two ANDs all ORed together (see Figure 7-13). Inputs to the logic blocks can include the first 8 defined GPOs, GPIOs and rail-status flags. One rail status type is selectable as an input for each AND gate in a Boolean block. For a selected rail status, the status flags of all active rails can be included as inputs to the AND gate. *_LATCH* rail-status types stay asserted until cleared by a MFR PMBus command or by a specially configured GPI pin. The different rail-status types are shown in Table 7-5. See the *UCD90xxx Sequencer and System Health Controller PMBus Command Reference* for complete definitions of rail-status types. The GPO response can be configured to have a delayed assertion or deassertion. The first 8 GPOs can be chosen as Rail Sequence on/off Dependency. The logic state of the GPO instead of actual pin output is used as dependency condition.

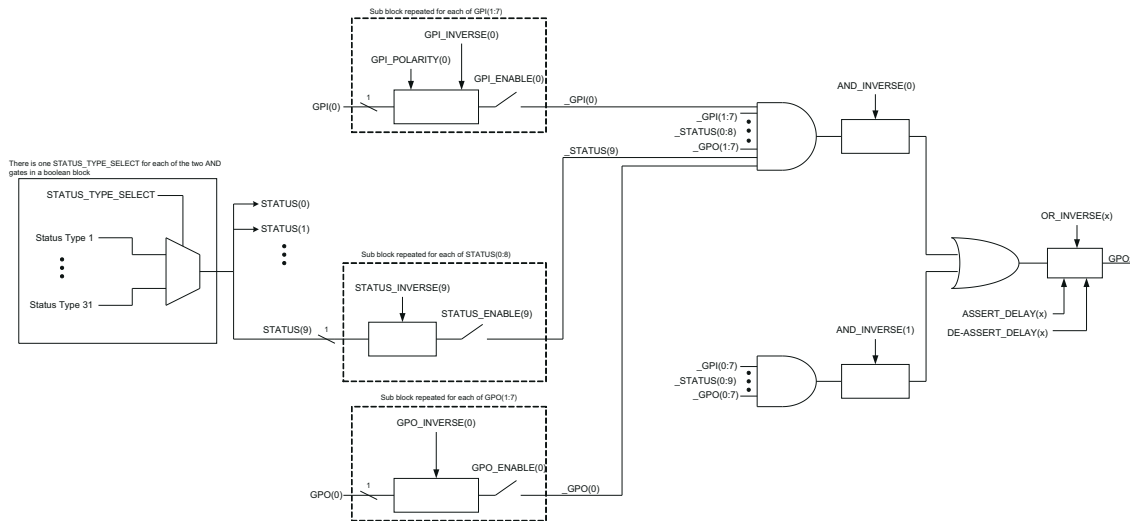


Figure 7-13. Boolean Logic Combinations

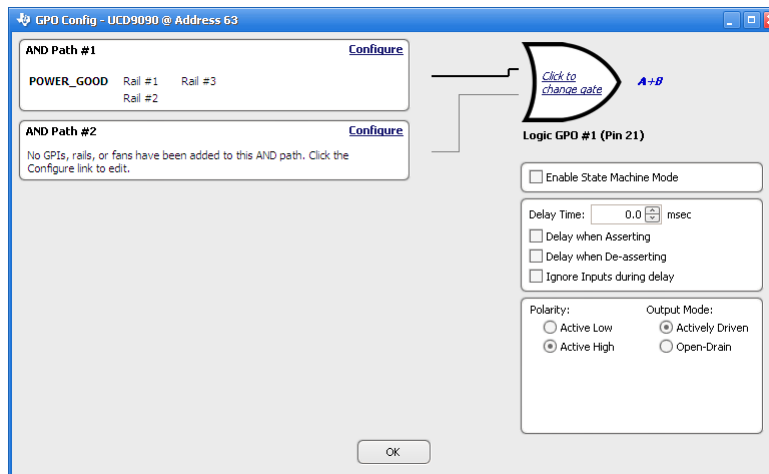


Figure 7-14. Fusion Boolean Logic Builder

表 7-5. Rail-Status Types For Boolean Logic

| Rail-Status Types | | |
|-------------------|-------------------------|-------------------------------|
| POWER_GOOD | IOUT_UC_FAULT | TOFF_MAX_WARN_LATCH |
| MARGIN_EN | TEMP_OT_FAULT | SEQ_ON_TIMEOUT_LATCH |
| MRG_LOW_nHIGH | TEMP_OT_WARN | SEQ_OFF_TIMEOUT_LATCH |
| VOUT_OV_FAULT | SEQ_ON_TIMEOUT | SYSTEM_WATCHDOG_TIMEOUT_LATCH |
| VOUT_OV_WARN | SEQ_OFF_TIMEOUT | IOUT_OC_FAULT_LATCH |
| VOUT_UV_WARN | SYSTEM_WATCHDOG_TIMEOUT | IOUT_OC_WARN_LATCH |
| VOUT_UV_FAULT | VOUT_OV_FAULT_LATCH | IOUT_UC_FAULT_LATCH |
| TON_MAX_FAULT | VOUT_OV_WARN_LATCH | TEMP_OT_FAULT_LATCH |
| TOFF_MAX_WARN | VOUT_UV_WARN_LATCH | TEMP_OT_WARN_LATCH |
| IOUT_OC_FAULT | VOUT_UV_FAULT_LATCH | |
| IOUT_OC_WARN | TON_MAX_FAULT_LATCH | |

When GPO is set to POWER_GOOD, this POWER_GOOD state is based on the actual voltage measurement on the monitor pins assigned to those rails. For a rail that does not have a monitor pin, or have a monitor pin but without voltage monitoring, its POWER_GOOD state is used by sequencing purpose only, and is not be used by the GPO logic evaluation.

7.4.8.1 GPO Delays

The GPOs can be configured so that they manifest a change in logic with a delay on assertion, deassertion, both or none. GPO behavior using delays will have different effects depending if the logic change occurs at a faster rate than the delay. On a normal delay configuration, if the logic for a GPO changes to a state and reverts back to previous state within the time of a delay then the GPO will not manifest the change of state on the pin. In [Figure 7-15](#) the GPO is set so that it follows the GPI with a 3ms delay at assertion and also at de-assertion. When the GPI first changes to high logic state, the state is maintained for a time longer than the delay allowing the GPO to follow with appropriate logic state. The same goes for when the GPI returns to its previous low logic state. The second time that the GPI changes to a high logic state it returns to low logic state before the delay time expires. In this case the GPO does not change state. A delay configured in this manner serves as a glitch filter for the GPO.

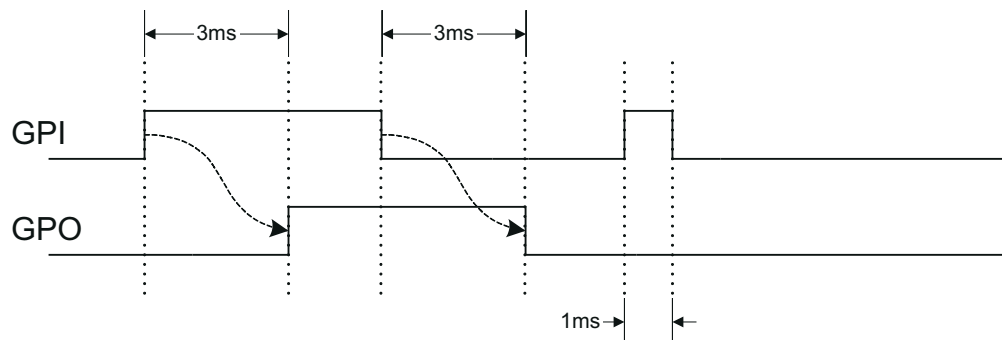


图 7-15. GPO Behavior When Not Ignoring Inputs During Delay

The *Ignore Input During Delay* bit allows to output a change in GPO even if it occurs for a time shorter than the delay. This configuration setting has the GPO ignore any activity from the triggering event until the delay expires. [Figure 7-16](#) represents the two cases for when ignoring the inputs during a delay. In the case in which the logic changes occur with more time than the delay, the GPO signal looks the same as if the input was not ignored. Then on a GPI pulse shorter than the delay the GPO still changes state. Any pulse that occurs on the GPO when having the *Ignore Input During Delay* bit set will have a width of at least the time delay.

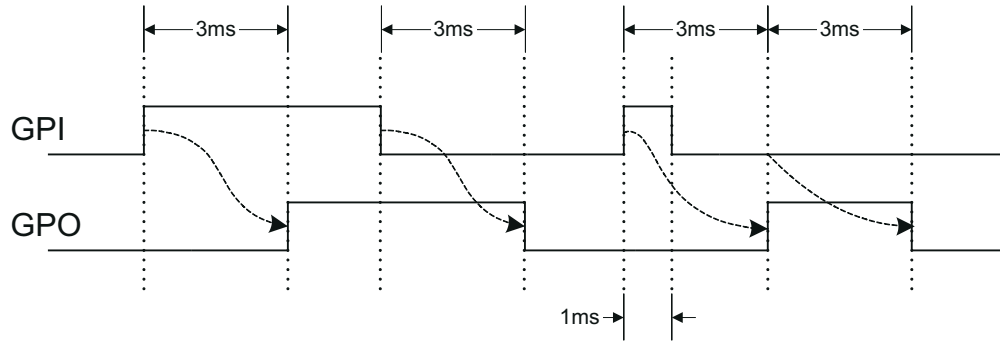


Figure 7-16. GPO Behavior When Ignoring Inputs During Delay

7.4.8.2 State Machine Mode Enable

When this bit within the GPO_CONFIG command is set, only one of the AND path will be used at a given time. When the GPO logic result is currently TRUE, AND path 0 will be used until the result becomes FALSE. When the GPO logic result is currently FALSE, AND path 1 will be used until the result becomes TRUE. This provides a very simple state machine and allows for more complex logical combinations.

7.4.9 GPI Special Functions

Special input functions for which GPIs can be used. There can be no more than one pin assigned to each of these functions.

- **GPI Fault Enable** - When set, the de-assertion of the GPI is treated as a fault.
- **Latched Statuses Clear Source** - When a GPO uses a latched status type (`_LATCH`), a correctly configured GPI clears the latched status.
- **Input Source for Margin Enable** - When this pin is asserted, all rails with margining enabled will be put in a margined state (low or high).
- **Input Source for Margin Low/Not-High** - When this pin is asserted all margined rails will be set to Margin Low as long as the Margin Enable is asserted. When this pin is de-asserted the rails will be set to Margin High.
- **Fault Shutdown Rails** - See [セクション 7.4.9.1](#).
- **Configured as Sequencing Debug Pin** - See [セクション 7.4.9.2](#).
- **Configured as Fault Pin** - See [セクション 7.4.9.2](#).
- **Enable Cold Boot Mode** - See [セクション 7.4.9.4](#).

The polarity of GPI pins can be configured to be either Active Low or Active High. The first 3 GPIs that are defined regardless of their main purpose will be used for the `PIN_SELECTED_RAIL_STATES` command.

GPI Polarity: Note: Polarity defines output voltage level when the logic evaluation result is TRUE(active). In open-drain mode, High-level output means the output pin is in Hi-Z state; a pull-up resistor is required to make the output level High.

Active Low
 Active High

GPI Fault Enable
When this bit is set, the de-assertion of the GPI is treated as fault and can shutdown rails if together either "Fault Shutdown Rails" or "Fault Pin" bit is also set.

Latched Statuses Clear Source
When a GPO uses a latched status type (_LATCH), you can configure a GPI that will clear the latched status.

Input Source for Margin Enable
When the Margin Enable pin is asserted, this pin determines if the margined state is low or high.

Input Source for Margin Low/Not-High
When this pin is asserted, all rails with margining enabled will be put in a margined state (low or high).

Fault Shutdown rails
When this bit and the GPI Fault Enable bit are set, the de-assertion of the GPI is treated as fault and can be used to shutdown rails according to the below Fault Responses setting

How device responses to GPI fault:
Max glitch time: ms
Resequencer: Disabled; Glitch filter: Disabled; Response: Ignore; Restart: N/A [Edit](#)

When pin has fault, will shut down these rails:

Rail 01 Rail 02 Rail 03 Rail 04
 Rail 05 Rail 06 Rail 07 Rail 08
 Rail 09 Rail 10 Rail 11 Rail 12
 Rail 13 Rail 14 Rail 15 Rail 16

Configured as Sequencing Debug Pin
Input pin can be used to put device in Debug Mode. If pin is selected and is asserted, device shall not assert PMBus Alert pin for any faults/warnings, not response to any faults, and not log any faults (excluding fault reported in STATUS_CML register such as Invalid Command, PEC Fault, etc.). This function is mainly used for debugging purpose only. It is not recommended in the final production

Configured as Fault Pin
Configure this input pin as fault-influenced outputs. The state of the output is determined by any faults occurred on selected rails

When these rails have fault, will output signal on pin:

Rail 01 Rail 02 Rail 03 Rail 04
 Rail 05 Rail 06 Rail 07 Rail 08
 Rail 09 Rail 10 Rail 11 Rail 12
 Rail 13 Rail 14 Rail 15 Rail 16

How device responses to Input pulled low:
Max glitch time: ms
Resequencer: Disabled; Glitch filter: Disabled; Response: Ignore; Restart: N/A [Edit](#)

When pin has fault will shutdown these rails:

Rail 01 Rail 02 Rail 03 Rail 04
 Rail 05 Rail 06 Rail 07 Rail 08
 Rail 09 Rail 10 Rail 11 Rail 12
 Rail 13 Rail 14 Rail 15 Rail 16

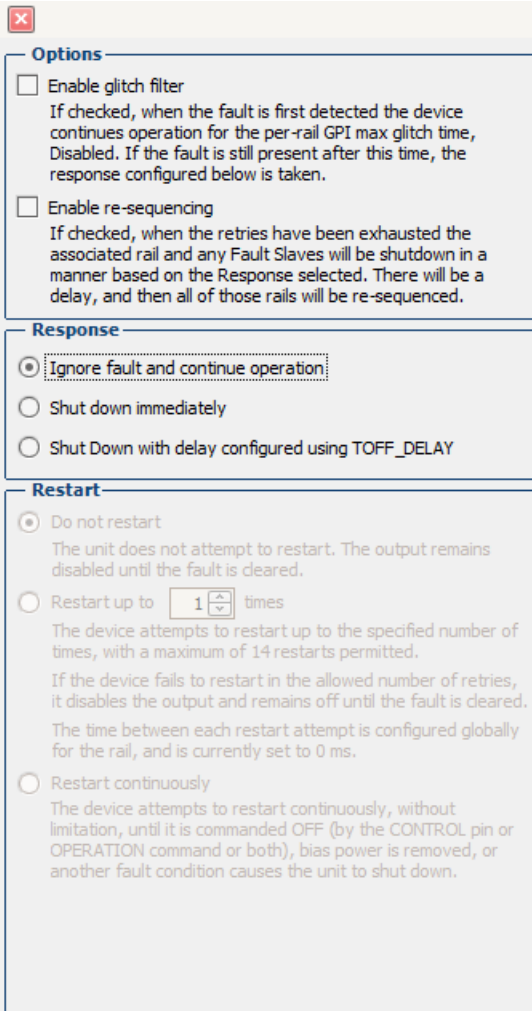
Enable Cold Boot Mode

Cold Boot Mode Timeout: min
Normal Boot Start Delay: ms

7-17. GPI Configurations

7.4.9.1 Fault Shutdown Rails

GPI Fault Enable must be set to enable this feature. When set, the de-assert of the assigned GPI trigger a number of fault response options (see [☒ 7-18](#)). Retry action is not supported.



Options

Enable glitch filter
If checked, when the fault is first detected the device continues operation for the per-rail GPI max glitch time, Disabled. If the fault is still present after this time, the response configured below is taken.

Enable re-sequencing
If checked, when the retries have been exhausted the associated rail and any Fault Slaves will be shutdown in a manner based on the Response selected. There will be a delay, and then all of those rails will be re-sequenced.

Response

Ignore fault and continue operation

Shut down immediately

Shut Down with delay configured using TOFF_DELAY

Restart

Do not restart
The unit does not attempt to restart. The output remains disabled until the fault is cleared.

Restart up to times
The device attempts to restart up to the specified number of times, with a maximum of 14 restarts permitted.
If the device fails to restart in the allowed number of retries, it disables the output and remains off until the fault is cleared.
The time between each restart attempt is configured globally for the rail, and is currently set to 0 ms.

Restart continuously
The device attempts to restart continuously, without limitation, until it is commanded OFF (by the CONTROL pin or OPERATION command or both), bias power is removed, or another fault condition causes the unit to shut down.

☒ 7-18. GPI Fault Response

7.4.9.2 Configured as Sequencing Debug Pin

When the pin is asserted, device does not alert PMBUS_Alert pin, not response for faults, log faults defined in the 表 7-6. The rail sequence on/off dependency conditions are ignored, as soon as the sequence on/off timeout is expired, the rails will be sequenced on or off accordingly regardless of the timeout action, if the sequence on/off timeout value is set to 0, the rails is sequenced on or off immediately. The fault pins do not pull the fault bus low. The LGPOs affected by these events should be back to it original states.

表 7-6. List of Events Affected by Debug Mode

| Events | Description |
|-------------------------|--|
| VOUT_OV_FAULT | Voltage Rail is over OV fault threshold |
| VOUT_OV_WARNING | Voltage Rail is over OV warning threshold |
| VOUT_UV_FAULT | Voltage Rail is under UV fault threshold |
| VOUT_UV_WARNING | Voltage Rail is under UV warning threshold |
| TON_MAX | Voltage Rail fails to reach power good threshold in predefined period. |
| TOFF_MAX Warning | Voltage rail fails to reach power not good threshold in predefined period |
| IOUT_OC_FAULT | Current Rail is over OC fault threshold |
| IOUT_OC_WARNING | Current Rail is under OC warning threshold |
| IOUT_UC | Current Rail is under UC fault threshold |
| OT_FAULT | Temperature Rail has over OT fault threshold |
| OT_WARNING | Temperature Rail has over OT warning threshold |
| All GPI de-asserted | No logging and fault response, but the function of the GPI is not ignored. |
| SYSTEM_WATCHDOG_TIMEOUT | System watch timeout |
| RESEQUENCE_ERROR | Rail fails to resequence |
| SEQ_ON_TIMEOUT | Rail fails to meeting sequence on dependency in predefined period |
| SEQ_OFF_TIMEOUT | Rail fails to meeting sequence on dependency in predefined period |
| SLAVE_FAULT | Rail is shut down due to that its master has fault |

7.4.9.3 Configured as Fault Pin

GPI Fault Enable must be set to enable this feature. When set, if there is no fault on a Fault Bus, the Fault Pin is digital input pin and listen to the Fault Bus. When one or multiple UCD90160A devices detect a rail fault (see 表 7-7), the corresponding Fault Pin is turned into active driven low state, pulling down the Fault Bus and informing all other UCD90160A devices of the corresponding fault. This way, a coordinated action can be taken across multiple devices. After the fault is cleared, the state of the Fault Pin is turned back to an input pin.

表 7-7. Events Affecting Fault Pin

| Events | Description |
|------------------|--|
| RESEQUENCE_ERROR | Rail fails to resequence |
| SEQ_ON_TIMEOUT | Rail fails to meeting sequence on dependency in predefined period |
| SEQ_OFF_TIMEOUT | Rail fails to meeting sequence on dependency in predefined period |
| OT_FAULT | Temperature Rail has over temperature |
| IOUT_UC_FAULT | Current Rail is below UC threshold |
| IOUT_OC_FAULT | Current Rail is over OC threshold |
| VOUT_UV_FAULT | Voltage Rail is under UV threshold |
| VOUT_OV_FAULT | Voltage Rail is over OV threshold |
| TON_MAX_FAULT | Voltage rail fails to reach power good threshold in predefined period. |

7.4.9.4 Cold Boot Mode Enable

Cold boot mode is used to heat-up a system by turning on cold boot rails for certain amounts of time when it is under an extreme code temperature. UCD device is communicated with the system via particular GPI (thermal state GPI) which is output from a thermal device. Cold boot mode is only entering once per UCD reset. There is no system watch dog Reset during the cold boot mode.

Device reads the thermal state GPI to determine whether it should start cold boot or not when it is out of reset. When the input of thermal state GPI is DE-ASSERTED, device enters cold boot mode and log the GPI fault if the GPI fault log enable bit is set, otherwise device enters normal mode. The following changes on the thermal state GPI do not introduce any logging. Only one GPI can be assigned for this function and one it is assigned, it cannot be used for any other GPI functions.

The rails used in the cold boot mode are configurable. For those rails with Sequence On Dependency on the thermal state GPI, they (non-cold boot rails) are not powered-up during the cold boot since the dependency is not met. But non-cold boot rails will be power-on under normal mode since thermal state GPI is treated as ASSERTED when cold boot mode is over. For those rails without sequence on dependency on the thermal state GPI, they (cold boot rails) are power-on under both cold boot and normal mode. It is application's responsibility to set the proper ON_OFF_CONFIG for those cold boot rails. Cold boot rails are not power-on if their ON_OFF_CONFIG settings are not met under cold boot mode. Cold boot mode timeout is used to tell how long the device shall stay at the cold boot before it stops monitoring the thermal state GPI and shutdown all cold boot rails with EN control. Normal Boot Start Delay is used to tell how long device should wait to ramp up the powers after all cold boot rails with EN are below POWER_GOOD_OFF.

```

- If system temperature is < threshold degree C (Thermal State GPI)
  o Yes(DE_ASSERTED):
    § Log GPI fault
    § Start Cold Boot Timeout
    § No System watchdog output
    § Ramp up the power supplies based on ON_OFF_CONFIG
    § wait for thermal state GPI ASSERTED OR "Cold Boot Mode Timeout expired"
    § Disable the thermostat input listening mode
    § Force to shutdown down all cold boot rails with EN control immediately
    § wait all cold boot rails with EN control below POWER_GOOD_OFF
    § Start and wait "Normal boot Start Delay expired"
- Disable the thermostat input listening mode
- Treated Thermal State GPI as ASSERTED
- Ramp up power supplies based on ON_OFF_CONFIG

```


7.4.10 Power Supply Enables

Each GPIO can be configured as a rail-enable pin with either active-low or active-high polarity. Output mode options include open-drain or push-pull outputs that can be actively driven to 3.3 V or ground. During reset, the GPIO pins are high-impedance except for FPWM/GPIO pins 17–24, which are driven low. External pulldown or pullup resistors can be tied to the enable pins to hold the power supplies off during reset. The UCD9090A can support a maximum of 10 enable pins.

注

GPIO pins that have FPWM capability (pins 10-17) should only be used as power supply enable signals if the signal is active high.

7.4.11 Cascading Multiple Devices

A GPIO pin can be used to coordinate multiple controllers by using it as a power good-output from one device and connecting it to the PMBus_CNTRL input pin of another. This imposes a master/slave relationship among multiple devices. During startup, the slave controllers initiate their start sequences after the master has completed its start sequence and all rails have reached regulation voltages. During shutdown, as soon as the master starts to sequence-off, it sends the shut-down signal to its slaves.

A shutdown on one or more of the master rails can initiate shutdowns of the slave devices. The master shutdowns can be initiated intentionally or by a fault condition. This method works to coordinate multiple controllers, but it does not enforce interdependency between rails within a single controller.

Another method to cascade multiple devices is to connect the power-good output of the first device to a MON pin of the second device; connect the power-good output of the second device to a MON pin of the third device, and so on. Optionally, connect the power-good output of the last device to a MON pin of the first device. The rails controlled by a device have dependency on the previous device's power-good output. This way, the rails controlled by multiple devices can be sequenced. Also, the de-assertion of a power-good output can trigger a UV fault of the next device. The UV fault response can be configured to shut down other rails controlled by the same device. This way, when one rail has fault shutdown, other rails controlled by other devices can be shut down accordingly.

The PMBus specification implies that the power-good signal is active when ALL the rails in a controller are regulating at their programmed voltage. The UCD9090A allows GPIOs to be configured to respond to a desired subset of power-good signals.

Multiple UCD9090A devices can also work together and coordinate when faults happen with a fault pin connection. One GPI pin can be configured as a Fault pin. The Fault pin is connected to a Fault Bus. Each Fault Bus is pulled up to 3.3 V by a 10-kΩ resistor. All the UCD9090A devices on the same Fault Bus are informed of the same fault condition. An example of Fault Pin connections is shown in [Figure 7-19](#).

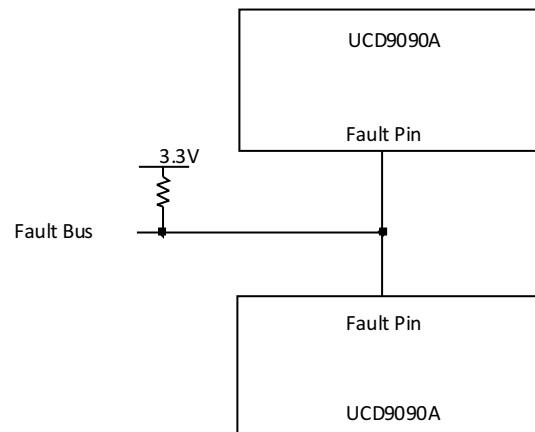


Figure 7-19. Fault Pin Connection

7.4.12 PWM Outputs

7.4.12.1 FPWM1-8

Pins 10-17 can be configured as fast pulse-width modulators (FPWMs). The frequency range is 15.260 kHz to 125 MHz. FPWMs can be configured as closed-loop margining outputs, fan controllers or general-purpose PWMs.

Any FPWM pin not used as a PWM output can be configured as a GPIO. One FPWM in a pair can be used as a PWM output and the other pin can be used as a GPO. The FPWM pins are actively driven low from reset when used as GPOs.

The frequency settings for the FPWMs apply to pairs of pins:

- FPWM1 and FPWM2 – same frequency
- FPWM3 and FPWM4 – same frequency
- FPWM5 and FPWM6 – same frequency
- FPWM7 and FPWM8 – same frequency

If an FPWM pin from a pair is not used while its companion is set up to function as a PWM, it is recommended to configure the unused FPWM pin as an active-low open-drain GPO so that it does not disturb the rest of the system. By setting an FPWM, it automatically enables the other FPWM within the pair if it was not configured for any other functionality.

The frequency for the FPWM is derived by dividing down a 250MHz clock. To determine the actual frequency to which an FPWM can be set, must divide 250MHz by any integer between 2 and $(2^{14}-1)$.

The FPWM duty cycle resolution is dependent on the frequency set for a given FPWM. Once the frequency is known the duty cycle resolution can be calculated as 式 1.

$$\text{Change per Step (\%)}_{\text{FPWM}} = \text{frequency} / (250 \times 10^6 \times 16) \times 100 \quad (1)$$

Take for an example determining the actual frequency and the duty cycle resolution for a 75MHz target frequency.

1. Divide 250 MHz by 75 MHz to obtain 3.33.
2. Round off 3.33 to obtain an integer of 3.
3. Divide 250 MHz by 3 to obtain actual closest frequency of 83.333 MHz.
4. Use 式 1 to determine duty cycle resolution to obtain 2.0833% duty cycle resolution.

7.4.12.2 PWM1-2

Pins 22 and 23 can be used as GPIOs or PWM outputs. These PWM outputs have an output frequency of 0.93 Hz to 7.8125 MHz.

The frequency for PWM1 and PWM2 is derived by dividing down a 15.625-MHz clock. To determine the actual frequency to which these PWMs can be set, must divide 15.625 MHz by any integer between 2 and $(2^{24}-1)$. The duty cycle resolution will be dependent on the set frequency for PWM1 and PWM2.

The PWM1 or PWM2 duty cycle resolution is dependent on the frequency set for the given PWM. Once the frequency is known the duty cycle resolution can be calculated as 式 2

$$\text{Change per Step (\%)}_{\text{PWM1/2}} = \text{frequency} / 15.625 \times 10^6 \times 100 \quad (2)$$

To determine the closest frequency to 1MHz that PWM1 can be set to calculate as the following:

1. Divide 15.625 MHz by 1 MHz to obtain 15.625.
2. Round off 15.625 to obtain an integer of 16.
3. Divide 15.625 MHz by 16 to obtain actual closest frequency of 976.563 kHz.
4. Use 式 2 to determine duty cycle resolution to obtain 6.25% duty cycle resolution.

All frequencies below 238 Hz will have a duty cycle resolution of 0.0015%.

7.4.13 Programmable Multiphase PWMs

The FPWMs can be aligned with reference to their phase. The phase for each FPWM is configurable from 0° to 360°. This provides flexibility in PWM-based applications such as power supply controller, digital clock generation, and others. See an example of four FPWMs programmed to have phases at 0°, 90°, 180° and 270° ([Figure 7-20](#)).

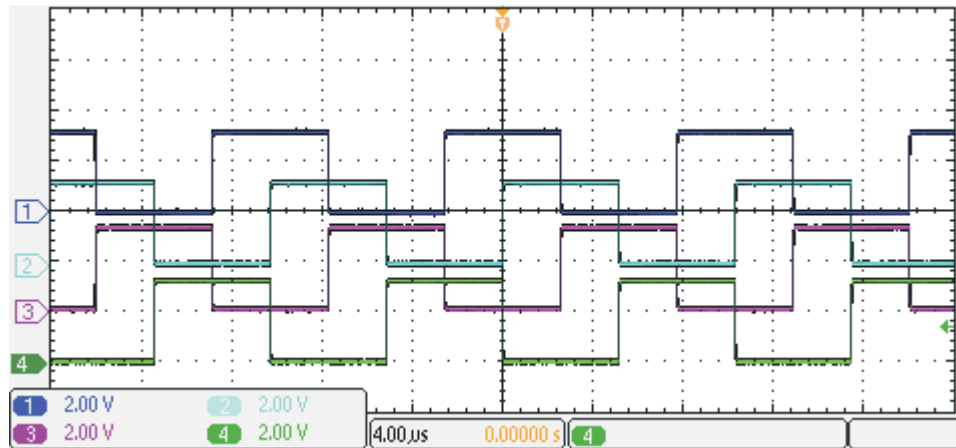


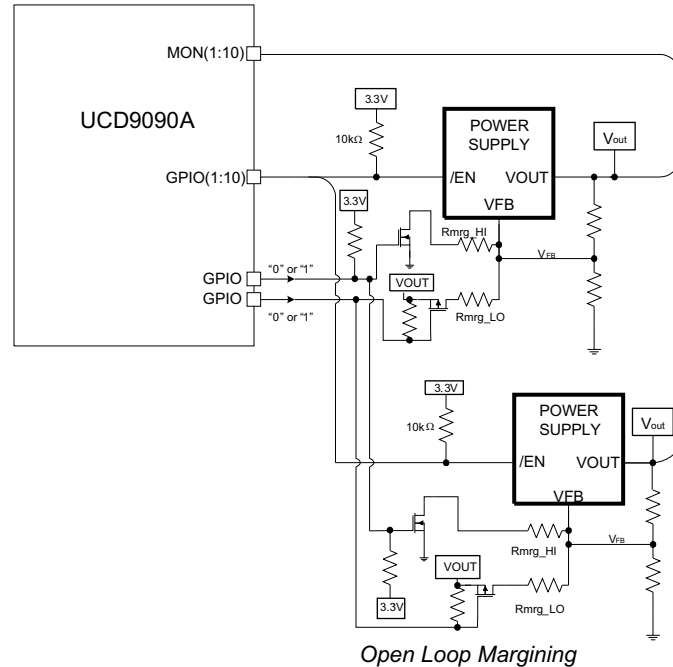
Figure 7-20. Multiphase PWMs

7.4.14 Margining

Margining is used in product validation testing to verify that the complete system works properly over all conditions, including minimum and maximum power supply voltages, load range, ambient temperature range, and other relevant parameter variations. Margining can be controlled over PMBus using the OPERATION command or by configuring two GPIO pins as margin-EN and margin-UP/DOWN inputs. The MARGIN_CONFIG command in the *UCD90xxx Sequencer and System Health Controller PMBus Command Reference* describes different available margining options, including ignoring faults while margining and using closed-loop margining to trim the power supply output voltage one time at power up.

7.4.14.1 Open-Loop Margining

Open-loop margining is done by connecting a power supply feedback node to ground through one resistor and to the margined power supply output (V_{OUT}) through another resistor. The power supply regulation loop responds to the change in feedback node voltage by increasing or decreasing the power supply output voltage to return the feedback voltage to the original value. The voltage change is determined by the fixed resistor values and the voltage at V_{OUT} and ground. Two GPIO pins must be configured as open-drain outputs for connecting resistors from the feedback node of each power supply to V_{OUT} or ground.



Copyright © 2016, Texas Instruments Incorporated


7-21. Open-Loop Margining

7.4.14.2 Closed-Loop Margining

Closed-loop margining uses a PWM or FPWM output for each power supply that is being margined. An external RC network converts the FPWM pulse train into a DC margining voltage. The margining voltage is connected to the appropriate power supply feedback node through a resistor. The power supply output voltage is monitored, and the margining voltage is controlled by adjusting the PWM duty cycle until the power supply output voltage reaches the margin-low and margin-high voltages set by the user. The voltage setting resolutions will be the same that applies to the voltage measurement resolution (表 7-3). The closed loop margining can operate in several modes (表 7-8). Given that this closed-loop system has feed back through the ADC, the closed-loop margining accuracy will be dominated by the ADC measurement. The relationship between duty cycle and margined voltage is configurable so that voltage increases when duty cycle increases or decreases. For more details on configuring the UCD9090A for margining, see the *Voltage Margining Using the UCD9012x* application note (SLVA375).

表 7-8. Closed Loop Margining Modes

| MODE | DESCRIPTION |
|-------------------------|--|
| DISABLE | Margining is disabled. |
| ENABLE_TRI_STATE | When not margining, the PWM pin is set to high impedance state. |
| ENABLE_ACTIVE_TRIM | When not margining, the PWM duty-cycle is continuously adjusted to keep the voltage at VOUT_COMMAND. |
| ENABLE_FIXED_DUTY_CYCLE | When not margining, the PWM duty-cycle is set to a fixed duty-cycle. |

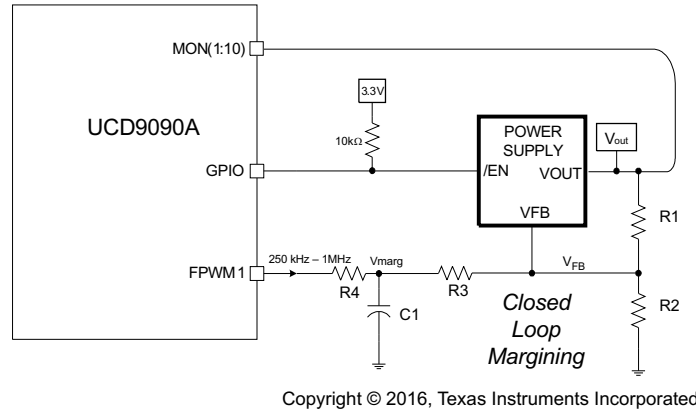


图 7-22. Closed-Loop Margining

7.4.15 Run Time Clock

The Run-Time clock is given in milliseconds and days. Both are 32-bit numbers. This value is saved in nonvolatile memory whenever a STORE_DEFAULT_ALL command is issued. It can also be saved when a power-down condition is detected (See [セクション 7.4.19](#)).

The Run-Time clock may also be written. This allows the clock to be periodically corrected by the host. It also allows the clock to be initialized to the actual, absolute time in years (e.g., March 23, 2010). The user must translate the absolute time to days and milliseconds.

The three usage scenarios for the Run-Time Clock are:

1. **Time from restart (reset or power-on)** – the Run-Time Clock starts from 0 each time a restart occurs
2. **Absolute run-time, or operating time** – the Run-Time Clock is preserved across restarts, so you can keep up with the total time that the device has been in operation (Note: “Boot time” is not part of this. Only normal operation time is captured here.)
3. **Local time** – an external processor sets the Run-Time Clock to real-world time each time the device is restarted.

The Run-Time clock value is used to timestamp any faults that are logged.

7.4.16 System Reset Signal

The UCD9090A can generate a programmable system-reset pulse as part of sequence-on. The pulse is created by programming a GPIO to remain deasserted until the voltage of a particular rail or combination of rails reach their respective POWER_GOOD_ON levels plus a programmable delay time. The system-reset delay duration can be programmed as shown in [表 7-9](#). See an example of two SYSTEM RESET signals [图 7-23](#). The first SYSTEM RESET signal is configured so that it de-asserts on Power Good On and it asserts on Power Good Off after a given common delay time. The second SYSTEM RESET signal is configured so that it sends a pulse after a delay time once Power Good On is achieved. The pulse width can be configured between 0.001s to 32.256s. See the *UCD90xxx Sequencer and System Health Controller PMBus Command Reference* for pulse width configuration details.

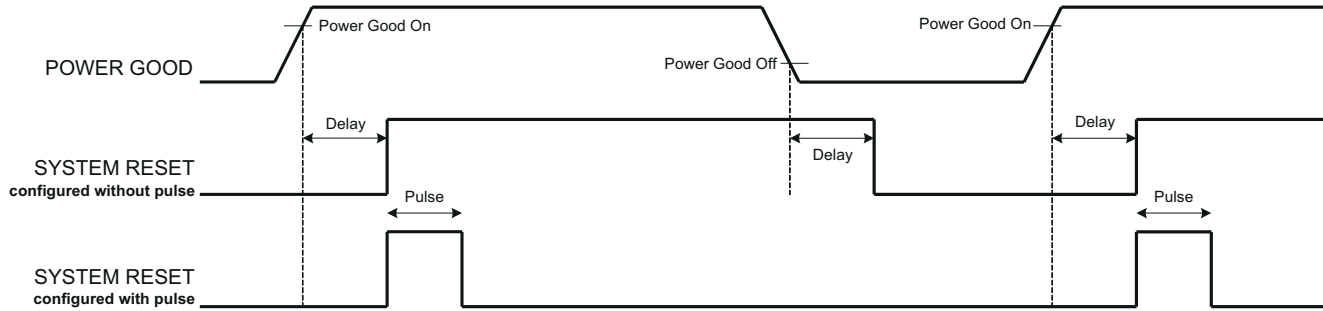


图 7-23. System Reset With and Without Pulse Setting

The system reset can react to watchdog timing. In 图 7-24 The first delay on SYSTEM RESET is for the initial reset release that would get a CPU running once all necessary voltage rails are in regulation. The watchdog is configured with a Start Time and a Reset Time. If these times expire without the WDI clearing them then it is expected that the CPU providing the watchdog signal is not operating. The SYSTEM RESET is toggled either using a Delay or GPI Tracking Release Delay to see if the CPU recovers.

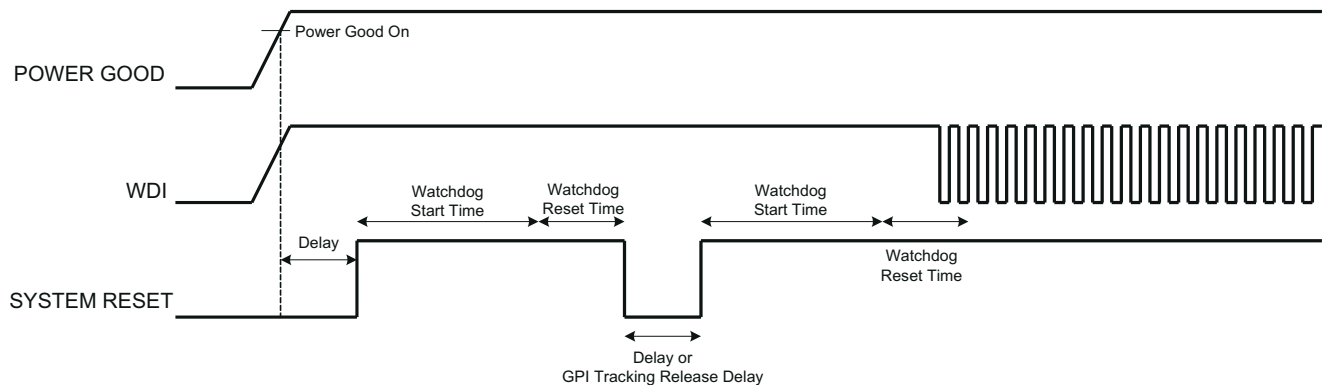


图 7-24. System Reset With Watchdog

表 7-9. System-Reset Delay

| DELAY |
|---------|
| 0 ms |
| 1 ms |
| 2 ms |
| 4 ms |
| 8 ms |
| 16 ms |
| 32 ms |
| 64 ms |
| 128 ms |
| 256 ms |
| 512 ms |
| 1.02 s |
| 2.05 s |
| 4.10 s |
| 8.19 s |
| 16.38 s |

表 7-9. System-Reset
Delay (continued)

| DELAY |
|--------|
| 32.8 s |

7.4.17 Watch Dog Timer

A GPI and GPO can be configured as a watchdog timer (WDT). The WDT can be independent of power supply sequencing or tied to a GPIO functioning as a watchdog output (WDO) that is configured to provide a system-reset signal. The WDT can be reset by toggling a watchdog input (WDI) pin or by writing to SYSTEM_WATCHDOG_RESET over I²C. The WDI and WDO pins are optional when using the watchdog timer. The WDI can be replaced by SYSTEM_WATCHDOG_RESET command and the WDO can be manifested through the Boolean Logic defined GPOs or through the System Reset function.

The WDT can be active immediately at power up or set to wait while the system initializes. 表 7-10 lists the programmable wait times before the initial timeout sequence begins.

表 7-10. WDT Initial Wait
Time

| WDT INITIAL WAIT TIME |
|-----------------------|
| 0 ms |
| 100 ms |
| 200 ms |
| 400 ms |
| 800 ms |
| 1.6 s |
| 3.2 s |
| 6.4 s |
| 12.8 s |
| 25.6 s |
| 51.2 s |
| 102 s |
| 205 s |
| 410 s |
| 819 s |
| 1638 s |

The watchdog timeout is programmable from 0.001s to 32.256s. See the *UCD90xxx Sequencer and System Health Controller PMBus Command Reference* for details on configuring the watchdog timeout. If the WDT times out, the UCD9090A can assert a GPIO pin configured as WDO that is separate from a GPIO defined as system-reset pin, or it can generate a system-reset pulse. After a timeout, the WDT is restarted by toggling the WDI pin or by writing to SYSTEM_WATCHDOG_RESET over I²C.

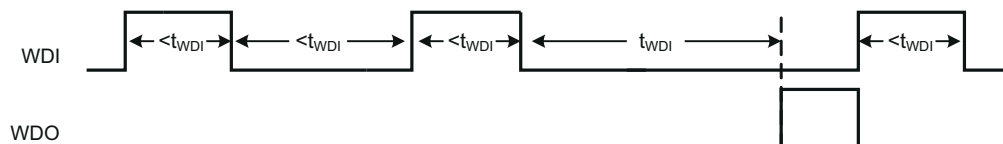


图 7-25. Timing of GPIOs Configured for Watchdog Timer Operation

7.4.18 Data and Error Logging to Flash Memory

The UCD9090A can log faults and the number of device resets to flash memory. Peak voltage measurements are also stored for each rail. To reduce stress on the flash memory, a 30-second timer is started if a measured value exceeds the previously logged value. Only the highest value from the 30-second interval is written from RAM to flash. Data and Error logging to flash memory can be disabled by user so that the data and error are only stored in the SRAM.

Multiple faults can be stored in flash memory and can be accessed over PMBus to help debug power supply bugs or failures. Each logged fault includes:

- Rail number
- Fault type
- Fault time since previous device reset
- Last measured rail voltage

The total number of device resets is also stored to flash memory. The value can be reset using PMBus.

With the brownout function enabled, the run-time clock value, peak monitor values, and faults are only logged to flash when a power-down is detected. The device run-time clock value is stored across resets or power cycles unless the brownout function is disabled, in which case the run-time clock is returned to zero after each reset.

It is also possible to update and calibrate the UCD9090A internal run-time clock via a PMBus host. For example, a host processor with a real-time clock could periodically update the UCD9090A run-time clock to a value that corresponds to the actual date and time. The host must translate the UCD9090A timer value back into the appropriate units, based on the usage scenario chosen. See the `REAL_TIME_CLOCK` command in the *UCD90xxx Sequencer and System Health Controller PMBus Command Reference* for more details.

7.4.19 Brownout Function

The UCD9090A can be enabled to turn off all nonvolatile logging until a brownout event is detected. A brownout event occurs if V_{CC} drops below 2.9 V. In order to enable this feature, the user must provide enough local capacitance to deliver up to 80 mA (consider additional load based on GPOs sourcing external circuits such as LEDs) on for 5 ms while maintaining a minimum of 2.6 V at the device. If using the brownout circuit ([Figure 7-26](#)), then a schottky diode should be placed so that it blocks the other circuits that are also powered from the 3.3 V supply.

With this feature enabled, the UCD9090A saves faults, peaks, and other log data to SRAM during normal operation of the device. Once a brownout event is detected, all data is copied from SRAM to Flash if the log is not disabled. Use of this feature allows the UCD9090A to keep track of a single run-time clock that spans device resets or system power down (rather than resetting the run time clock after device reset). It can also improve the UCD9090A internal response time to events, because Flash writes are disabled during normal system operation. This is an optional feature and can be enabled using the `MISC_CONFIG` command. For more details, see the *UCD90xxx Sequencer and System Health Controller PMBus Command Reference*.

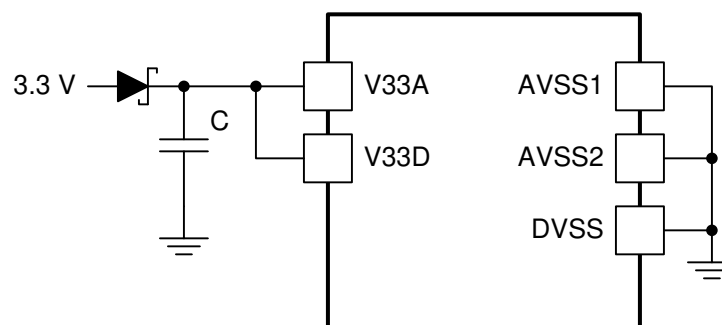


Figure 7-26. Brownout Circuit

7.4.20 PMBus Address Selection

Two pins are allocated to decode the PMBus address. At power up, the device applies a bias current to each address-detect pin, and the voltage on that pin is captured by the internal 12-bit ADC. The PMBus address is calculated as follows.

$$\text{PMBus Address} = 12 \times \text{bin}(V_{\text{AD01}}) + \text{bin}(V_{\text{AD00}}) \quad (3)$$

where

- $\text{bin}(V_{\text{AD0x}})$ is the address bin for one of eight addresses as shown in [表 7-11](#)

The address bins are defined by the MIN and MAX VOLTAGE RANGE (V). Each bin is a constant ratio of 1.25 from the previous bin. This method maintains the width of each bin relative to the tolerance of standard 1% resistors.

表 7-11. PMBus Address Bins

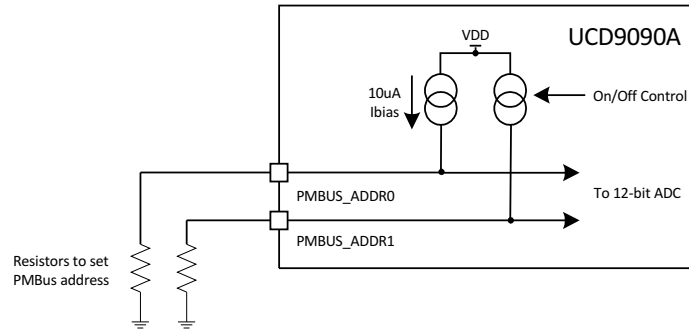
| ADDRESS BIN | RPMBus PMBus RESISTANCE (kΩ) |
|-------------|---------------------------------|
| open | — |
| 11 | 200 |
| 10 | 154 |
| 9 | 118 |
| 8 | 90.9 |
| 7 | 69.8 |
| 6 | 53.6 |
| 5 | 41.2 |
| 4 | 31.6 |
| short | — |

A low impedance (short) on either address pin that produces a voltage below the minimum voltage causes the PMBus address to default to address 126 (0x7E). A high impedance (open) on either address pin that produces a voltage above the maximum voltage also causes the PMBus address to default to address 126 (0x7E).

Address 0 is not used because it is the PMBus general-call address. Addresses 11 and 127 can not be used by this device or any other device that shares the PMBus with it, because those are reserved for manufacturing programming and test. It is recommended that address 126 not be used for any devices on the PMBus, because this is the address that the UCD9090A defaults to if the address lines are shorted to ground or left open. [表 7-12](#) summarizes which PMBus addresses can be used. Other SMBus/PMBus addresses have been assigned for specific devices. For a system with other types of devices connected to the same PMBus, see the SMBus device address assignments table in Appendix C of the latest version of the System Management Bus (SMBus) specification. The SMBus specification can be downloaded at <http://smbus.org/specs/smbus20.pdf>.

表 7-12. PMBus Address Assignment Rules

| ADDRESS | STATUS | REASON |
|---------|--------------|---|
| 0 | Prohibited | SMBus generaladdress call |
| 11 | Avoid | Causes conflicts with other devices during program flash updates. |
| 12 | Prohibited | PMBus alert response protocol |
| 126 | For JTAG Use | Default value; may cause conflicts with other devices. |
| 127 | Prohibited | Used by TI manufacturing for device tests. |



Copyright © 2016, Texas Instruments Incorporated

 **7-27. PMBus Address-Detection Method**

注

Address 126 (0x7E) is not recommended to be selected as a permanent PMBus address for any given application design. Leaving the address in default state as 126 (0x7E) will enable the JTAG and not allow using the JTAG compatible pins (27-30) as GPIOs. The UCD9090A runs at 10% slower frequency while the JTAG is enabled to ensure best JTAG operation.

7.4.21 Device Reset

The UCD9090A has an integrated power-on reset (POR) circuit which monitors the supply voltage. At power up, the POR detects the V_{33D} rise. When V_{33D} is less than V_{RESET} , the device comes out of reset.

The device can be forced into the reset state by an external circuit connected to the \overline{RESET} pin. A logic low voltage on this pin for longer than t_{RESET} holds the device in reset. It comes out of reset within 1 ms after \overline{RESET} is released, and can return to a logic-high level. To avoid an erroneous trigger caused by noise, connect \overline{RESET} to a 10-k Ω pullup resistor (from \overline{RESET} to 3.3 V) and 1000-pF capacitor (from \overline{RESET} to AVSS).

Any time the device comes out of reset, it begins an initialization routine that lasts about 20 ms. During the initialization routine, the FPWM pins are held low, and all other GPIO and GPI pins are open-circuit. At the end of initialization, the device begins normal operation as defined by the device configuration.

7.4.22 JTAG Interface

The JTAG port can be used for production programming. Four of the six JTAG pins can also be used as GPIOs during normal operation. See [Pin Functions](#) and [表 7-4](#) for a list of the JTAG signals and which can be used as GPIOs. The JTAG port is compatible with the IEEE Standard 1149.1-1990, IEEE Standard Test-Access Port and Boundary Scan Architecture specification. Boundary scan is not supported on this device. The UCD9090A runs at 10% slower frequency while the JTAG is enabled to ensure best JTAG operation.

The JTAG interface can provide an alternate interface for programming the device. It is disabled by default in order to enable the GPIO pins with which it is multiplexed. There are two conditions under which the JTAG interface is enabled:

1. On power-up if the data flash is blank, allowing JTAG to be used for writing the configuration parameters to a programmed device with no PMBus interaction
2. When address 126 (0x7E) is detected at power up. A short to ground or an open condition on either address pin will cause an address 126 (0x7E) to be generated which enables JTAG mode.

The UCD9090A system clock runs at 90% of nominal speed while in JTAG mode. For this reason it is important that the UCD9090A is not left in JTAG mode for normal application operation.

The Fusion GUI can create SVF files (See [セクション 7.5](#)) based on a given data flash configuration which can be used to program the desired configuration by JTAG. For Boundary Scan Description Language (BSDL) file that supports the UCD9090A see the product folder in www.ti.com.

There are many JTAG programmers in the market and they all do not function the same. If you plan to use JTAG to configure the device, confirm that you can reliably configure the device with your JTAG tools before committing to a programming solution.

7.4.23 Internal Fault Management and Memory Error Correction (ECC)

The UCD9090A verifies the firmware checksum at each power up. If it does not match, then the device waits for I²C commands but does not execute the firmware. A device configuration checksum verification is also performed at power up. If it does not match, the factory default configuration is loaded. The PMBALERT# pin is asserted and a flag is set in the status register. The error-log checksum validates the contents of the error log to make sure that section of flash is not corrupted.

There is an internal firmware watchdog timer. If it times out, the device resets so that if the firmware program is corrupted, the device goes back to a known state. This is a normal device reset, so all of the GPIO pins are open-drain and the FPWM pins are driven low while the device is in reset. Checks are also done on each parameter that is passed, to make sure it falls within the acceptable range.

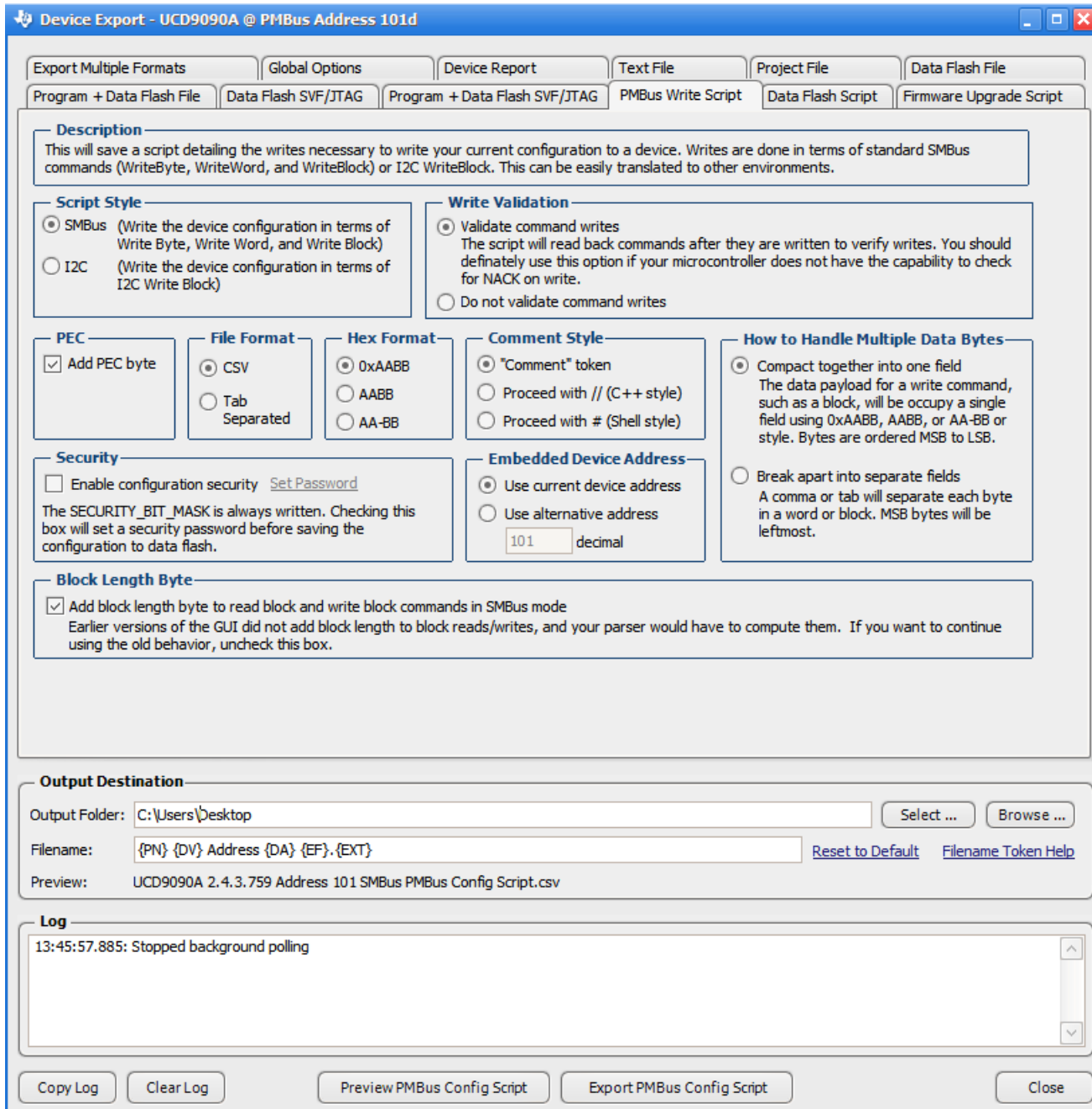
Error-correcting code (ECC) is used to improve data integrity and provide high-reliability storage of Data Flash contents. ECC uses dedicated hardware to generate extra check bits for the user data as it is written into the Flash memory. This adds an additional six bits to each 32-bit memory word stored into the Flash array. These extra check bits, along with the hardware ECC algorithm, allow for any single-bit error to be detected and corrected when the Data Flash is read.

7.5 Programming

From the factory, the device contains the sequencing and monitoring firmware. It is also configured so that all GPOs are high-impedance (except for FPWM/GPIO pins 10-17, which are driven low), with no sequencing or fault-response operation. See *Configuration Programming of UCD Devices*, available from the *Documentation & Help Center* that can be selected from the *Fusion GUI* Help menu, for full UCD9090A configuration details.

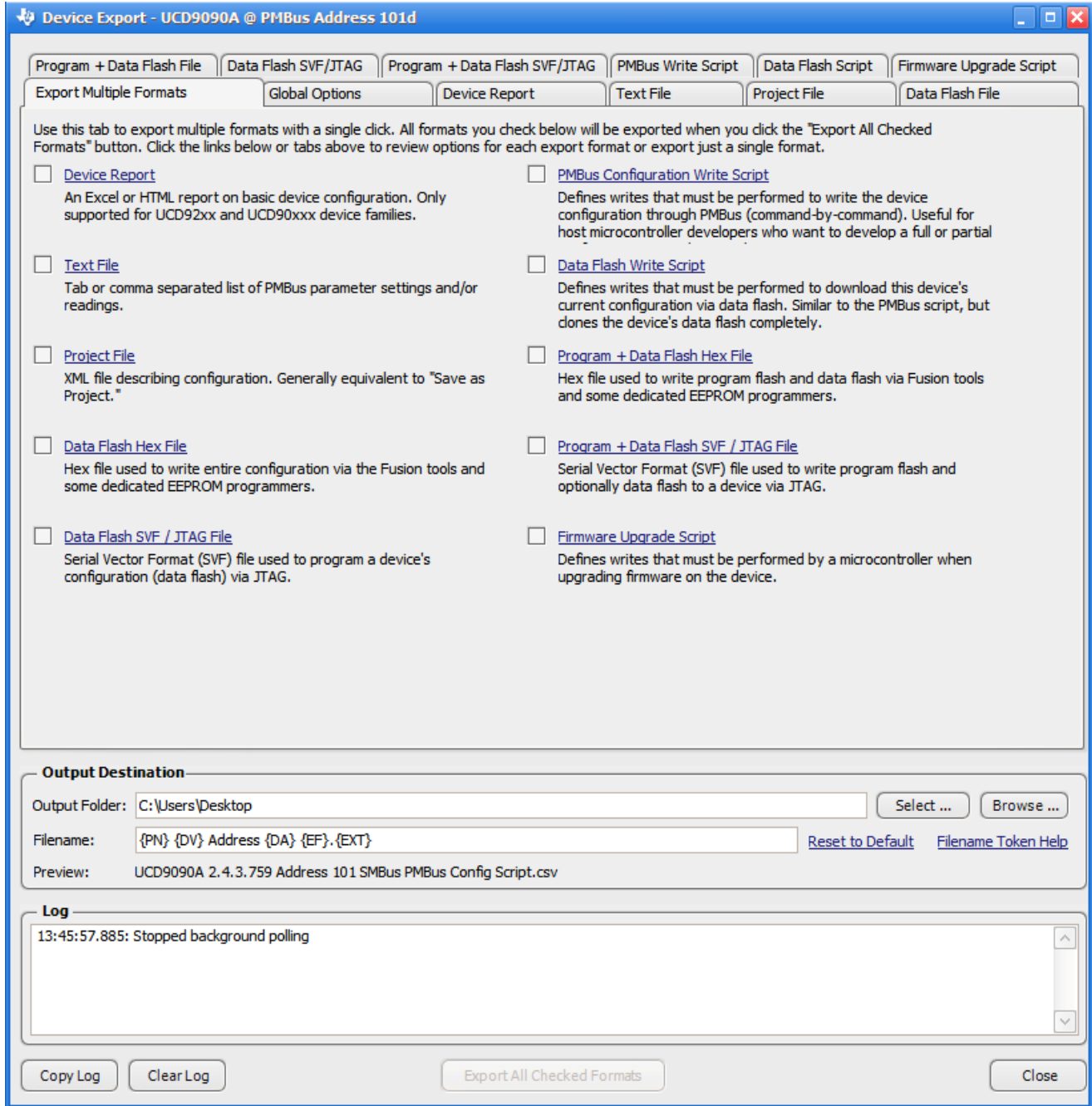
After the user has designed a configuration file using *Fusion GUI*, there are three general device-configuration programming options:

1. Devices can be programmed in-circuit by a host microcontroller using PMBus commands over I²C (see the *UCD90xxx Sequencer and System Health Controller PMBus Command Reference*). Each parameter write replaces the data in the associated memory (RAM) location. After all the required configuration data has been sent to the device, it is transferred to the associated nonvolatile memory (data flash) by issuing a special command, STORE_DEFAULT_ALL. This method is how the *Fusion GUI* normally reads and writes a device configuration. This method may cause unexpected behaviors on GPIO pins which can disable rails that provide power to device. It is not recommended for production programming. This method may cause unexpected behaviors on GPIO pins which can disable rails that provide power to device. This method is not recommended for production programming.
2. The *Fusion GUI* ([☒ 7-28](#)) can create a PMBus or I²C command script file that can be used by the I²C master to configure the device. This method may cause unexpected behaviors on GPIO pins which can disable rails that provide power to device. It is not recommended for production programming.



7-28. Fusion GUI PMBus Configuration Script Export Tool

- Another in-circuit programming option is for the *Fusion GUI* to create a data flash image from the configuration file (7-29). The configuration files can be exported in Intel Hex, data flash script, Serial Vector Format (SVF) and S-record. The image file can be downloaded into the device using I²C or JTAG. The *Fusion GUI* tools can be used on-board if the *Fusion GUI* can gain ownership of the target board I²C bus. It is recommended to use Intel Hex file or data flash script file for production programming because the GPIOs are under controlled states.



7-29. Fusion GUI Device Configuration Export Tool

For small runs, a ZIF socketed board with an I2C header can be used with the standard Fusion GUI or manufacturing GUI. The TI Evaluation Module for UCD9090A 10-Channel Sequencer and System Health Monitor (UCD90SEQ48EVM-560) can be used for this purpose. The *Fusion GUI* can also create a data flash file that can then be loaded into the UCD9090A using a dedicated device programmer.

To configure the device over I²C or PMBus, the UCD9090A must be powered. The PMBus clock and data pins must be accessible and must be pulled high to the same V_{DD} supply that powers the device, with pullup resistors between 1 kΩ and 2 kΩ. Care should be taken to not introduce additional bus capacitance (<100 pF). The user configuration can be written to data flash using a gang programmer via JTAG or I²C before the device is installed in circuit. To use I²C, the clock and data lines must be multiplexed or the device addresses must be assigned by

socket. The *Fusion GUI* tools can be used for socket addressing. Pre-programming can also be done using a single device test fixture.

表 7-13. Configuration Options

| | DATA FLASH VIA JTAG | DATA FLASH VIA I ² C(Recommend) | PMBus COMMANDS VIA I ² C |
|-------------------------|------------------------------------|--|--|
| Off-Board Configuration | Data Flash Export (.svf type file) | Data Flash Export (.srec or hex, data flash script type file) | Project file I ² C/PMBus script |
| | Dedicated programmer | Fusion tools (with exclusive bus access via USB to I ² C adapter) | Fusion tools (with exclusive bus access via USB to I ² C adapter) |
| On-Board Configuration | Data flash export | Fusion tools (with exclusive bus access via USB to I ² C adapter) | Fusion tools (with exclusive bus access via USB to I ² C adapter) |
| | IC | | |

The advantages of off-board configuration include:

- Does not require access to device I²C bus on board.
- Once soldered on board, full board power is available without further configuration.
- Can be partially reconfigured once the device is mounted.

7.5.1 Full Configuration Update While in Normal Mode

Although performing a full configuration of the UCD9090A in a controlled test setup is recommended, there may be times in which it is required to update the configuration while the device is in an operating system. Updating the full configuration based on methods listed in *Device Configuration and Programming* section while the device is in an operating system can be challenging because these methods do not permit the device to operate as required by application during the programming. During described methods the GPIOs may not be in the desired states which can disable rails that provide power to the device. To overcome this, the device has the capability to allow full configuration update while still operating in normal mode.

Updating the full configuration while in normal mode consists of disabling data flash write protection, erasing the data flash, writing the data flash image and reset the device. It is not required to reset the device immediately but make note that the UCD9090A continues to operate based on previous configuration with fault logging disabled until reset. See *Configuration Programming of UCD Devices*, available from the *Documentation & Help Center* that can be selected from the *Fusion GUI* Help menu, for details. The data flash script file generated from *Fusion Digital Power Designer* software has all the required PMBus commands. This is the recommended method for production programming.

8 Application and Implementation

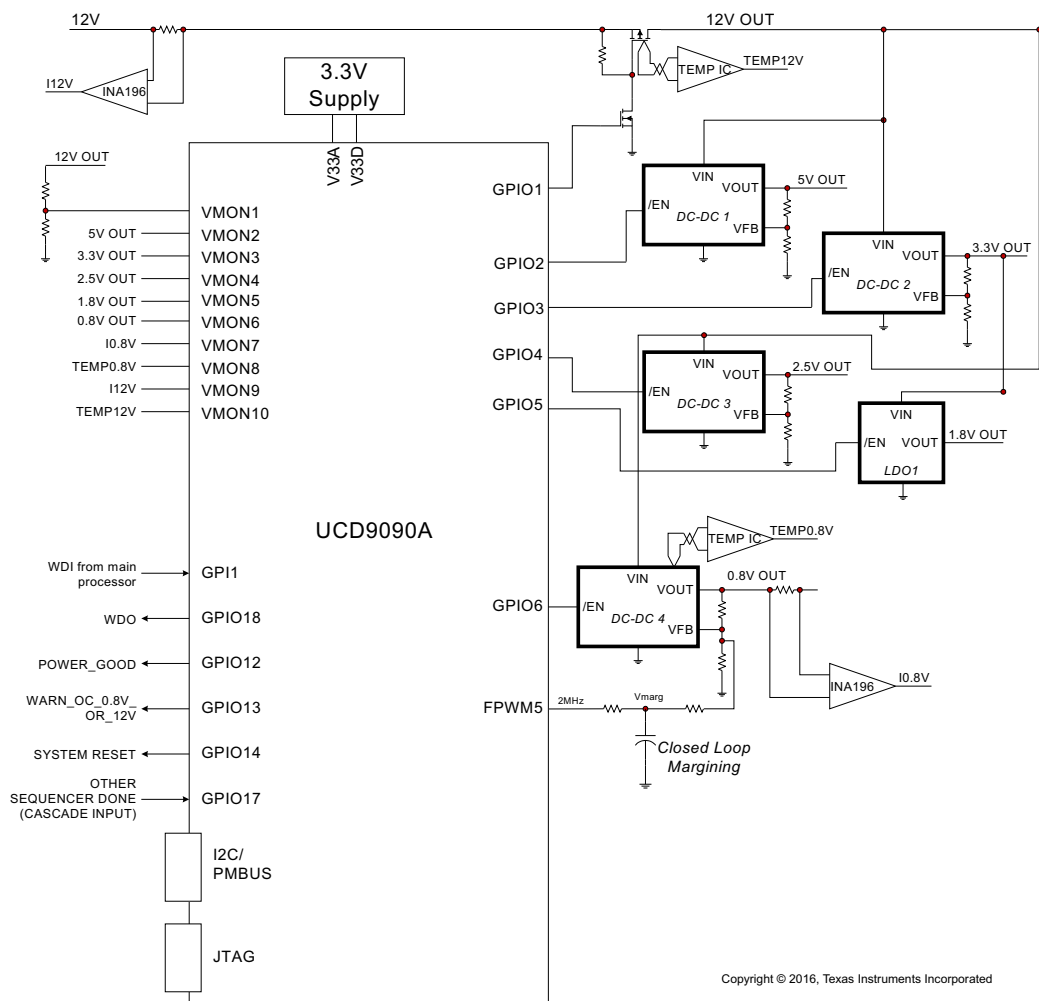
注

以下のアプリケーション情報は、TI の製品仕様に含まれるものではなく、TI ではその正確性または完全性を保証いたしません。個々の目的に対する製品の適合性については、お客様の責任で判断していただくこととなります。また、お客様は自身の設計実装を検証しテストすることで、システムの機能を確認する必要があります。

8.1 Application Information

The UCD9090A device can be used to sequence, monitor and margin up to 10 voltage rails. Typical applications include automatic test equipment, telecommunication and networking equipment, servers and storage systems, and so forth. Device configuration can be performed in Fusion GUI without coding effort.

8.2 Typical Application



8-1. Typical Application Schematic

注

☒ 8-1 is a simplified application schematic. Voltage dividers such as the ones placed on VMON1 input have been omitted for simplifying the schematic. All VMONx pins which are configured to measure a voltage that exceeds the 2.5-V ADC reference are required to have a voltage divider.

8.2.1 Design Requirements

1. The $\overline{\text{TRST}}$ pin must have a 10-k Ω pulldown resistor to ground.
2. The $\overline{\text{RESET}}$ pin should have a 10-k Ω pullup resistor to V33D and a 1-nF decoupling capacitor to ground. The components should be placed as close to the $\overline{\text{RESET}}$ pin as possible.
3. Depending on application environment, the PMBus signal integrity may be compromised at times. This will cause the UCD9090A to receive incorrect PMBus commands. In a particular case, if (D9h) ROM_MODE command is erroneously received by a UCD9090A device, it will cause the device to enter ROM mode, in which mode the device will not function unless Fusion GUI is connected to the device. To avoid such accidents in a running system, it is suggested to enable Packet Error Checking (PEC) in the PMBus host. UCD9090A can automatically detect and work with PMBus hosts both with and without PEC enabled.
4. The fault log in UCD9090A is checksum protected. After new log entries are written into the fault log, the checksum will be updated accordingly. After each device reset, UCD9090A recalculates the fault log checksum and compare it with the existing checksum. If the two checksums are not the same, the device will deem the fault log as corrupted and will erase the fault log as a result.
In the event that the V33D power is dropped before the device finish writing the fault log, the checksum will not be updated correctly, thus the fault log will be erased at the next power-up. The results is no new faults logged. Such an event usually happens when the main power of the board drops and no standby power can stay alive for V33D. If such a scenario can be anticipated in an application, it is strongly suggested to use the brown-out function and circuit as described in the previous section.
5. Do not use the $\overline{\text{RESET}}$ pin to power cycle the rails. Instead, use the PMBus_CNTRL pin as described in [セクション 7.4.1](#), or use Pin-Selected Rail States function described in [セクション 7.4.2](#).
6. When a pair of FPWM pins are configured as both Rail Enable and PWM (either margining or general purpose PWM) functions, there can be glitches on the pin that is configured as rail enable when the device is out of reset and under initialization. These glitches may impact the connected power rail. It is not recommended to have such a configuration.
7. PMBus commands (project file, PMBus write script file) method is not recommended for the production programming because GPIO pins may have unexpected behaviors which can disable rails that provide power to device. Data flash hex file or data flash script file shall be used for production programming because GPIO pins are under controlled state.
8. It is mandatory that the V33D power shall be stable and no device reset shall be fired during the device programming. Data flash may be corrupted if failed to follow these rules.
9. When a pair of FPWM pins are both used for margining, after device is out of reset, the even FPWM pin may output some pulse which is up to the configured duty cycle and frequency. These pulses may cause unexpected behaviors on the margining rail if that rail is regulated before UCD is out of reset. It is recommended to use the even FPWM pin to margin rails that are directly controlled by the device.

8.2.2 Detailed Design Procedure

Fusion GUI can be used to design the device configuration online or offline (with or without a UCD9090A device connected to the computer). In offline mode, Fusion GUI will prompt user to create or open a project file (.xml) at launch. In online mode, Fusion GUI will automatically detect the device on PMBus and read the configuration data from the device. An USB-to-GPIO Adapter EVM (HPA172) from Texas Instruments is required to connect Fusion GUI to PMBus.

The general design steps include the following:

1. Rail setup
2. Rail monitoring configuration
3. GPI configuration
4. Rail sequence configuration
5. Fault response configuration
6. GPO configuration
7. Margining configuration
8. Other configurations such as Pin Selected Rail States, Watchdog Timer, System Reset, and so on

The details of the steps are self-explanatory in the Fusion GUI.

After configuration changes, the user should click the Write to Hardware button to apply the changes. In online mode, user can then click the Store RAM to Flash button to permanently store the new configuration into the device's data flash.

8.2.2.1 Estimating ADC Reporting Accuracy

The UCD9090A uses a 12-bit ADC and an internal 2.5-V reference (V_{REF}) to convert MON pin inputs into digitally reported voltages. The least significant bit (LSB) value is $V_{LSB} = V_{REF} / 2^N$ where $N = 12$, resulting in a $V_{LSB} = 610 \mu\text{V}$. The error in the reported voltage is a function of the ADC linearity errors and any variations in V_{REF} . The total unadjusted error (E_{TUE}) for the UCD9090A ADC is ± 5 LSB, and the variation of V_{REF} is $\pm 0.5\%$ between 0°C and 125°C and $\pm 1\%$ between -40°C and 125°C . V_{TUE} is calculated as $V_{LSB} \times E_{TUE}$. The total reported voltage error is the sum of the reference-voltage error and V_{TUE} . At lower monitored voltages, V_{TUE} dominates reported error, whereas at higher monitored voltages, the tolerance of V_{REF} dominates the reported error. Reported error can be calculated using 式 4, where REFTOL is the tolerance of V_{REF} , V_{ACT} is the actual voltage being monitored at the MON pin, and V_{REF} is the nominal voltage of the ADC reference.

$$\text{RPT}_{\text{ERR}} = \left(\frac{1 + \text{REFTOL}}{V_{\text{ACT}}} \right) \times \left(\frac{V_{\text{REF}} \times E_{\text{TUE}}}{4096} + V_{\text{ACT}} \right) - 1 \quad (4)$$

From 式 4, for temperatures between 0°C and 125°C , if $V_{\text{ACT}} = 0.5 \text{ V}$, then $\text{RPT}_{\text{ERR}} = 1.11\%$. If $V_{\text{ACT}} = 2.2 \text{ V}$, then $\text{RPT}_{\text{ERR}} = 0.64\%$. For the full operating temperature range of -40°C to 125°C , if $V_{\text{ACT}} = 0.5 \text{ V}$, then $\text{RPT}_{\text{ERR}} = 1.62\%$. If $V_{\text{ACT}} = 2.2 \text{ V}$, then $\text{RPT}_{\text{ERR}} = 1.14\%$.

8.2.3 Application Curves

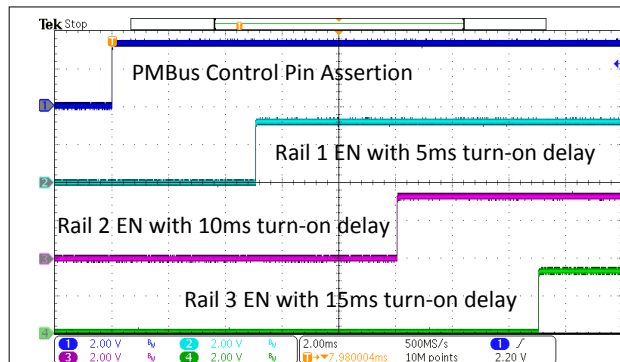


图 8-2. Example Power-On Sequence

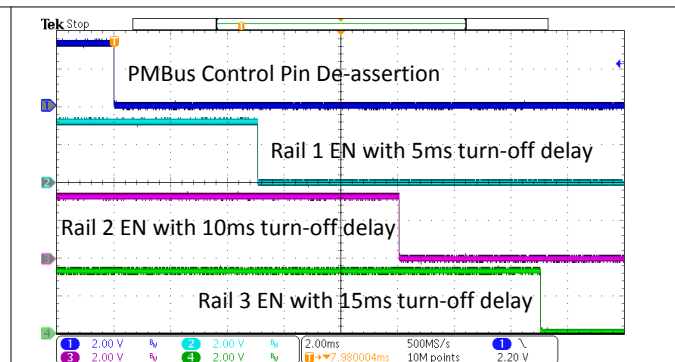


图 8-3. Example Power-Off Sequence

9 Power Supply Recommendations

Power the UCD9090A with a 3.3-V power supply. During the power-up sequence, the voltage on the V33D pin must ascend from 2.3 V to 2.9 V monotonically with a minimum slew rate of 0.25 V/ms.

10 Layout

10.1 Layout Guidelines

The thermal pad provides a thermal and mechanical interface between the device and the printed circuit board (PCB). Connect the exposed thermal pad of the PCB to the device V_{SS} pins and provide at least a 4×4 pattern of PCB vias to connect the thermal pad and V_{SS} pins to the circuit ground on other PCB layers.

For supply-voltage decoupling, provide power supply pin bypass to the device as follows:

- 1- μ F, X7R ceramic in parallel with 0.01- μ F, X7R ceramic at pin 35 (BPCAP)
- 0.1- μ F, X7R ceramic in parallel with 4.7- μ F, X5R ceramic at pin 33 (V33D)
- 0.1- μ F, X7R ceramic in parallel with 4.7- μ F, X5R ceramic at pin 34 (V33A)
- Connect V33D (pin 33) to 3.3V supply directly. Connect V33A (pin 34) to V33D through a 4.99- Ω resistor. This resistor and V33A decoupling capacitors form a low-pass filter to reduce noise on V33A.

Depending on use and application of the various GPIO signals used as digital outputs, some impedance control may be desired to quiet fast signal edges. For example, when using the FPWM pins for fan control or voltage margining, the pin is configured as a digital *clock* signal. Route these signals away from sensitive analog signals. It is also good design practice to provide a series impedance of 20 Ω to 33 Ω at the signal source to slow fast digital edges.

10.2 Layout Example

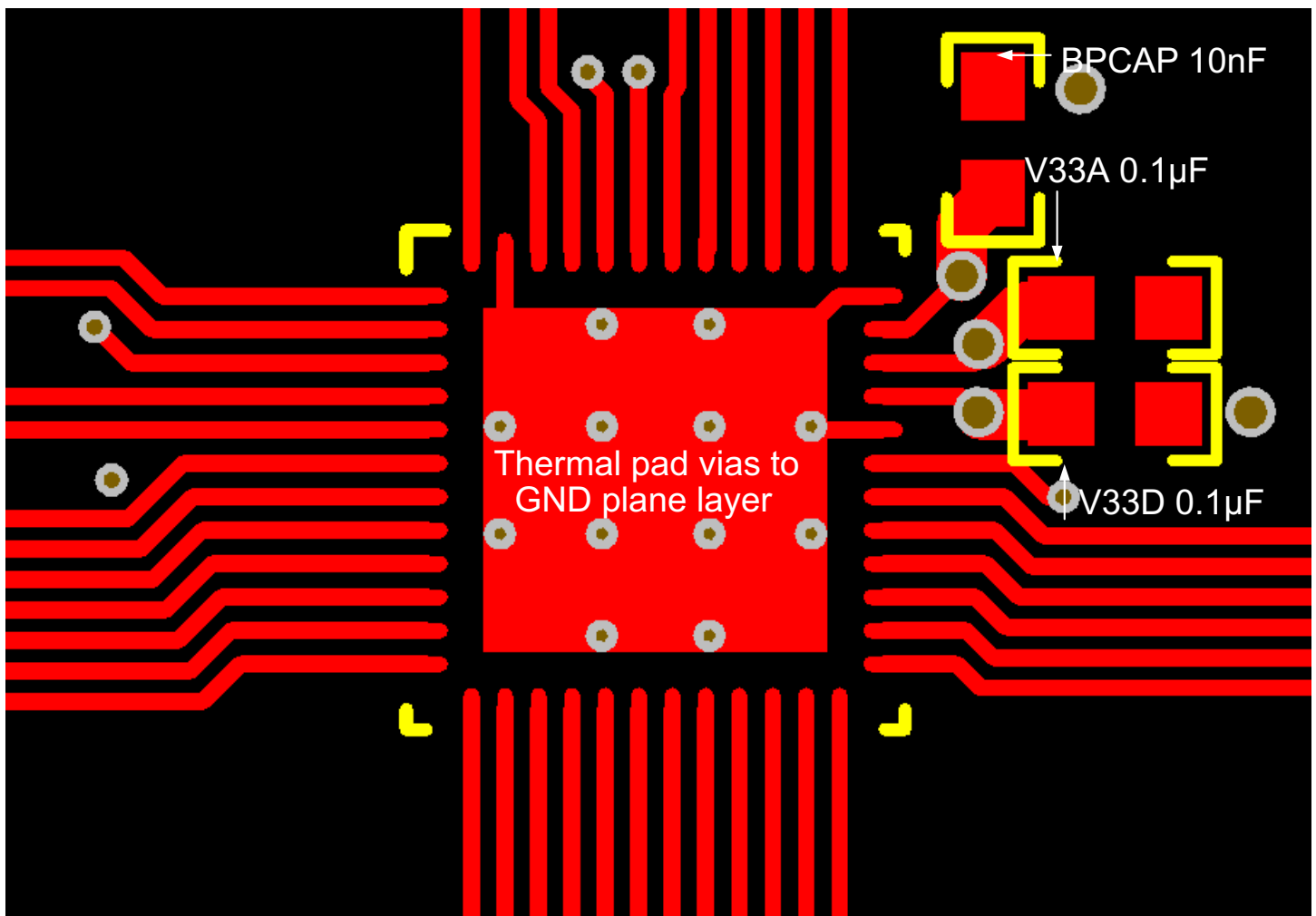
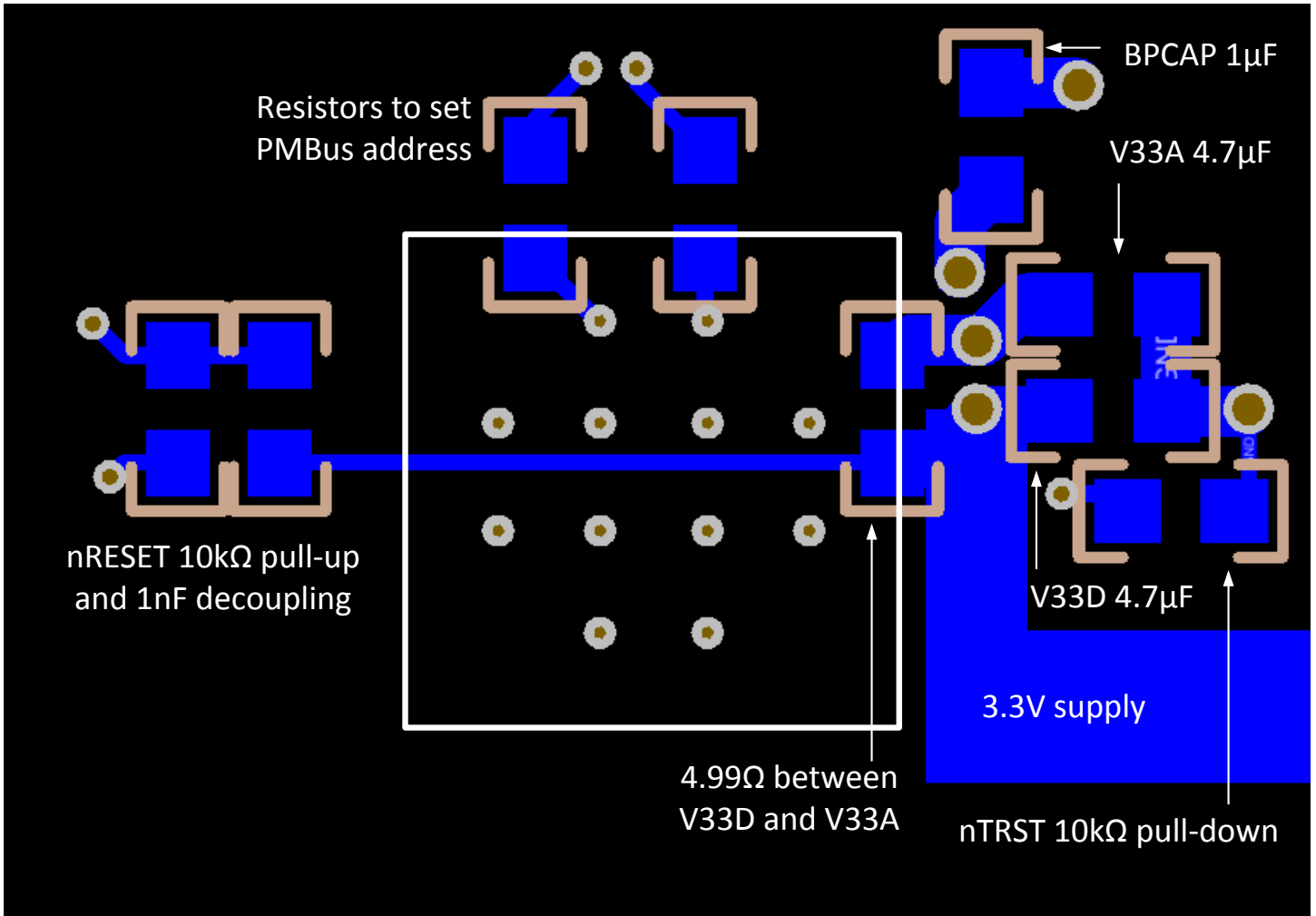


图 10-1. UCD9090A Layout Example, Top Layer



10-2. UCD9090A Layout Example, Bottom Layer

11 Device and Documentation Support

11.1 Documentation Support

11.1.1 Related Documentation

For related documentation, see the following:

- *Monitoring Voltage, Current, and Temperature Using the UCD90xxx Devices*, [SLVA385](#)
- *UCD90xxx Sequencer and System Health Controller PMBus™ Command Reference*, [SLVU352](#)
- *UCD90SEQ48EVM-560: 48-Pin Sequencer Development Board*, [SLVU464](#)
- *Voltage Margining Using the UCD90120*, [SLVA375](#)

11.2 ドキュメントの更新通知を受け取る方法

ドキュメントの更新についての通知を受け取るには、[ti.com](#) のデバイス製品フォルダを開いてください。「更新の通知を受け取る」をクリックして登録すると、変更されたすべての製品情報に関するダイジェストを毎週受け取れます。変更の詳細については、修正されたドキュメントに含まれている改訂履歴をご覧ください。

11.3 サポート・リソース

[TI E2E™ サポート・フォーラム](#)は、エンジニアが検証済みの回答と設計に関するヒントをエキスパートから迅速かつ直接得ることができる場所です。既存の回答を検索したり、独自の質問をしたりすることで、設計に必要な支援を迅速に得ることができます。

リンクされているコンテンツは、該当する貢献者により、現状のまま提供されるものです。これらは TI の仕様を構成するものではなく、必ずしも TI の見解を反映したものではありません。TI の[使用条件](#)を参照してください。

11.4 Trademarks

PMBus™ is a trademark of SMIF, Inc.

Fusion Digital Power™ is a trademark of Texas Instruments.

TI E2E™ is a trademark of Texas Instruments.

すべての商標は、それぞれの所有者に帰属します。

11.5 静電気放電に関する注意事項



この IC は、ESD によって破損する可能性があります。テキサス・インスツルメンツは、IC を取り扱う際には常に適切な注意を払うことを推奨します。正しい取り扱いおよび設置手順に従わない場合、デバイスを破損するおそれがあります。

ESD による破損は、わずかな性能低下からデバイスの完全な故障まで多岐にわたります。精密な IC の場合、パラメータがわずかに変化するだけで公表されている仕様から外れる可能性があるため、破損が発生しやすくなっています。

11.6 用語集

[テキサス・インスツルメンツ用語集](#) この用語集には、用語や略語の一覧および定義が記載されています。

12 Mechanical, Packaging, and Orderable Information

The following pages include mechanical, packaging, and orderable information. This information is the most current data available for the designated devices. This data is subject to change without notice and revision of this document. For browser-based versions of this data sheet, refer to the left-hand navigation.

PACKAGING INFORMATION

| Orderable part number | Status (1) | Material type (2) | Package Pins | Package qty Carrier | RoHS (3) | Lead finish/ Ball material (4) | MSL rating/ Peak reflow (5) | Op temp (°C) | Part marking (6) |
|------------------------------|---------------|----------------------|-----------------|-----------------------|-------------|--------------------------------------|-----------------------------------|------------------|---------------------|
| UCD9090ARGZR | Active | Production | VQFN (RGZ) 48 | 2500 LARGE T&R | Yes | NIPDAU | Level-3-260C-168 HR | -40 to 125 | UCD9090A |
| UCD9090ARGZR.A | Active | Production | null (null) | 2500 LARGE T&R | - | NIPDAU | Level-3-260C-168 HR | See UCD9090ARGZR | UCD9090A |
| UCD9090ARGZT | Active | Production | VQFN (RGZ) 48 | 250 SMALL T&R | Yes | NIPDAU | Level-3-260C-168 HR | -40 to 125 | UCD9090A |
| UCD9090ARGZT.A | Active | Production | null (null) | 250 SMALL T&R | - | NIPDAU | Level-3-260C-168 HR | See UCD9090ARGZT | UCD9090A |
| UCD9090ARGZT.B | Active | Production | null (null) | 250 SMALL T&R | - | NIPDAU | Level-3-260C-168 HR | See UCD9090ARGZT | UCD9090A |

(1) **Status:** For more details on status, see our [product life cycle](#).

(2) **Material type:** When designated, preproduction parts are prototypes/experimental devices, and are not yet approved or released for full production. Testing and final process, including without limitation quality assurance, reliability performance testing, and/or process qualification, may not yet be complete, and this item is subject to further changes or possible discontinuation. If available for ordering, purchases will be subject to an additional waiver at checkout, and are intended for early internal evaluation purposes only. These items are sold without warranties of any kind.

(3) **RoHS values:** Yes, No, RoHS Exempt. See the [TI RoHS Statement](#) for additional information and value definition.

(4) **Lead finish/Ball material:** Parts may have multiple material finish options. Finish options are separated by a vertical ruled line. Lead finish/Ball material values may wrap to two lines if the finish value exceeds the maximum column width.

(5) **MSL rating/Peak reflow:** The moisture sensitivity level ratings and peak solder (reflow) temperatures. In the event that a part has multiple moisture sensitivity ratings, only the lowest level per JEDEC standards is shown. Refer to the shipping label for the actual reflow temperature that will be used to mount the part to the printed circuit board.

(6) **Part marking:** There may be an additional marking, which relates to the logo, the lot trace code information, or the environmental category of the part.

Multiple part markings will be inside parentheses. Only one part marking contained in parentheses and separated by a "-" will appear on a part. If a line is indented then it is a continuation of the previous line and the two combined represent the entire part marking for that device.

Important Information and Disclaimer: The information provided on this page represents TI's knowledge and belief as of the date that it is provided. TI bases its knowledge and belief on information provided by third parties, and makes no representation or warranty as to the accuracy of such information. Efforts are underway to better integrate information from third parties. TI has taken and continues to take reasonable steps to provide representative and accurate information but may not have conducted destructive testing or chemical analysis on incoming materials and chemicals. TI and TI suppliers consider certain information to be proprietary, and thus CAS numbers and other limited information may not be available for release.

In no event shall TI's liability arising out of such information exceed the total purchase price of the TI part(s) at issue in this document sold by TI to Customer on an annual basis.

TAPE AND REEL INFORMATION

QUADRANT ASSIGNMENTS FOR PIN 1 ORIENTATION IN TAPE


*All dimensions are nominal

| Device | Package Type | Package Drawing | Pins | SPQ | Reel Diameter (mm) | Reel Width W1 (mm) | A0 (mm) | B0 (mm) | K0 (mm) | P1 (mm) | W (mm) | Pin1 Quadrant |
|--------------|--------------|-----------------|------|------|--------------------|--------------------|---------|---------|---------|---------|--------|---------------|
| UCD9090ARGZR | VQFN | RGZ | 48 | 2500 | 330.0 | 16.4 | 7.3 | 7.3 | 1.1 | 12.0 | 16.0 | Q2 |
| UCD9090ARGZT | VQFN | RGZ | 48 | 250 | 180.0 | 16.4 | 7.3 | 7.3 | 1.1 | 12.0 | 16.0 | Q2 |

TAPE AND REEL BOX DIMENSIONS


*All dimensions are nominal

| Device | Package Type | Package Drawing | Pins | SPQ | Length (mm) | Width (mm) | Height (mm) |
|--------------|--------------|-----------------|------|------|-------------|------------|-------------|
| UCD9090ARGZR | VQFN | RGZ | 48 | 2500 | 367.0 | 367.0 | 38.0 |
| UCD9090ARGZT | VQFN | RGZ | 48 | 250 | 210.0 | 185.0 | 35.0 |

GENERIC PACKAGE VIEW

RGZ 48

VQFN - 1 mm max height

7 x 7, 0.5 mm pitch

PLASTIC QUADFLAT PACK- NO LEAD



Images above are just a representation of the package family, actual package may vary.
Refer to the product data sheet for package details.

4224671/A



4219044/D 02/2022

NOTES:

1. All linear dimensions are in millimeters. Any dimensions in parenthesis are for reference only. Dimensioning and tolerancing per ASME Y14.5M.
2. This drawing is subject to change without notice.
3. The package thermal pad must be soldered to the printed circuit board for optimal thermal and mechanical performance.



NOTES: (continued)

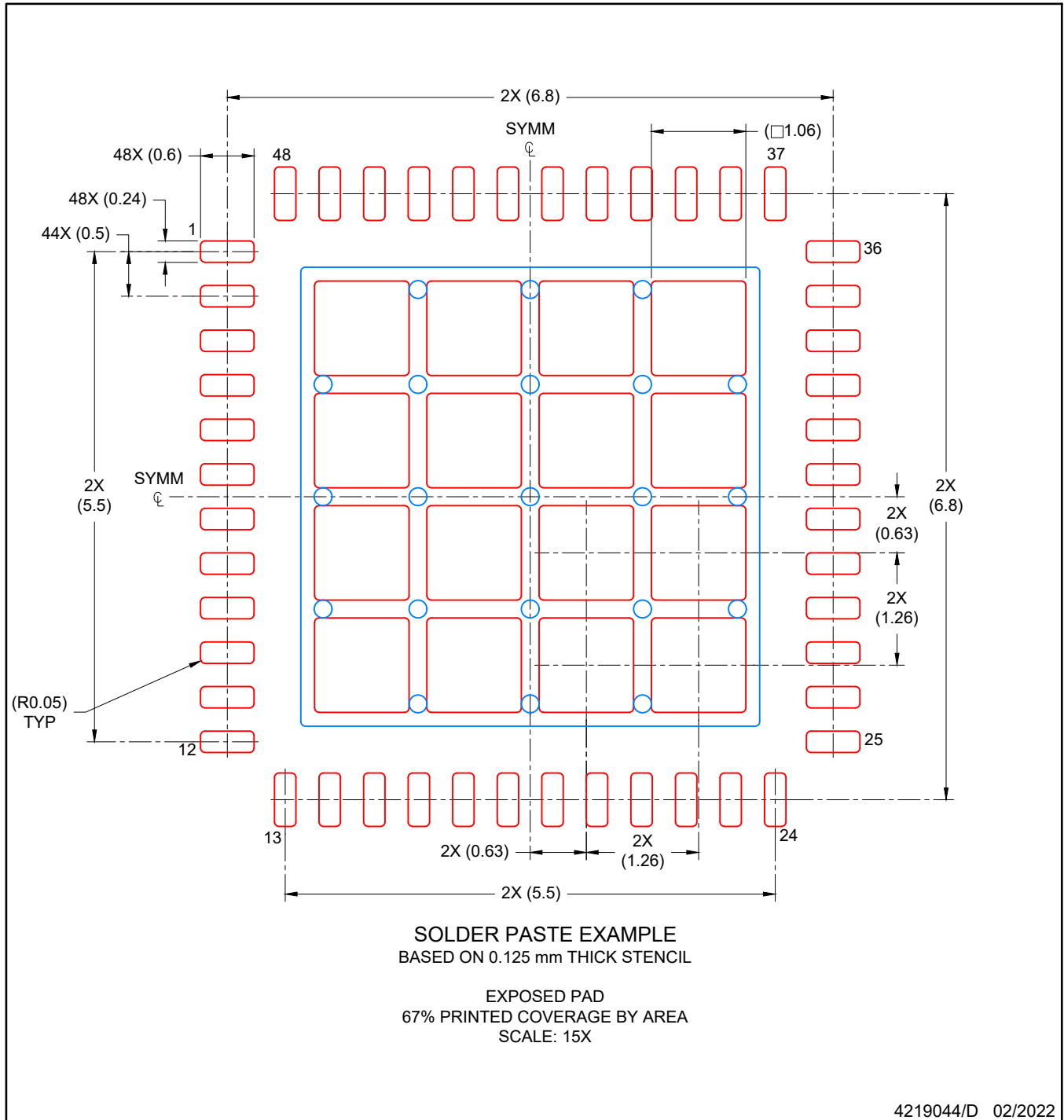
4. This package is designed to be soldered to a thermal pad on the board. For more information, see Texas Instruments literature number SLUA271 (www.ti.com/lit/slua271).
5. Vias are optional depending on application, refer to device data sheet. If any vias are implemented, refer to their locations shown on this view. It is recommended that vias under paste be filled, plugged or tented.

EXAMPLE STENCIL DESIGN

RGZ0048A

VQFN - 1 mm max height

PLASTIC QUADFLAT PACK- NO LEAD



NOTES: (continued)

6. Laser cutting apertures with trapezoidal walls and rounded corners may offer better paste release. IPC-7525 may have alternate design recommendations.

重要なお知らせと免責事項

テキサス・インスツルメンツは、技術データと信頼性データ(データシートを含みます)、設計リソース(リファレンス デザインを含みます)、アプリケーションや設計に関する各種アドバイス、Web ツール、安全性情報、その他のリソースを、欠陥が存在する可能性のある「現状のまま」提供しており、商品性および特定目的に対する適合性の黙示保証、第三者の知的財産権の非侵害保証を含むいかなる保証も、明示的または黙示的にかかわらず拒否します。

これらのリソースは、テキサス・インスツルメンツ製品を使用する設計の経験を積んだ開発者への提供を意図したものです。(1) お客様のアプリケーションに適したテキサス・インスツルメンツ製品の選定、(2) お客様のアプリケーションの設計、検証、試験、(3) お客様のアプリケーションに該当する各種規格や、その他のあらゆる安全性、セキュリティ、規制、または他の要件への確実な適合に関する責任を、お客様のみが単独で負うものとし、ます。

上記の各種リソースは、予告なく変更される可能性があります。これらのリソースは、リソースで説明されているテキサス・インスツルメンツ製品を使用するアプリケーションの開発の目的でのみ、テキサス・インスツルメンツはその使用をお客様に許諾します。これらのリソースに関して、他の目的で複製することや掲載することは禁止されています。テキサス・インスツルメンツや第三者の知的財産権のライセンスが付与されている訳ではありません。お客様は、これらのリソースを自身で使用した結果発生するあらゆる申し立て、損害、費用、損失、責任について、テキサス・インスツルメンツおよびその代理人を完全に補償するものとし、テキサス・インスツルメンツは一切の責任を拒否します。

テキサス・インスツルメンツの製品は、[テキサス・インスツルメンツの販売条件](#)、または [ti.com](https://www.ti.com) やかかるテキサス・インスツルメンツ製品の関連資料などのいずれかを通じて提供する適用可能な条項の下で提供されています。テキサス・インスツルメンツがこれらのリソースを提供することは、適用されるテキサス・インスツルメンツの保証または他の保証の放棄の拡大や変更を意味するものではありません。

お客様がいかなる追加条項または代替条項を提案した場合でも、テキサス・インスツルメンツはそれらに異議を唱え、拒否します。

郵送先住所：Texas Instruments, Post Office Box 655303, Dallas, Texas 75265
Copyright © 2025, Texas Instruments Incorporated