



**Table of Contents**

<b>1 Overview</b> .....	<b>2</b>
<b>2 Functional Safety Failure In Time (FIT) Rates</b> .....	<b>3</b>
2.1 DWN-36 Package.....	3
<b>3 Failure Mode Distribution (FMD)</b> .....	<b>4</b>
<b>4 Pin Failure Mode Analysis (Pin FMA)</b> .....	<b>5</b>
4.1 DWN-36 Package.....	5

**Trademarks**

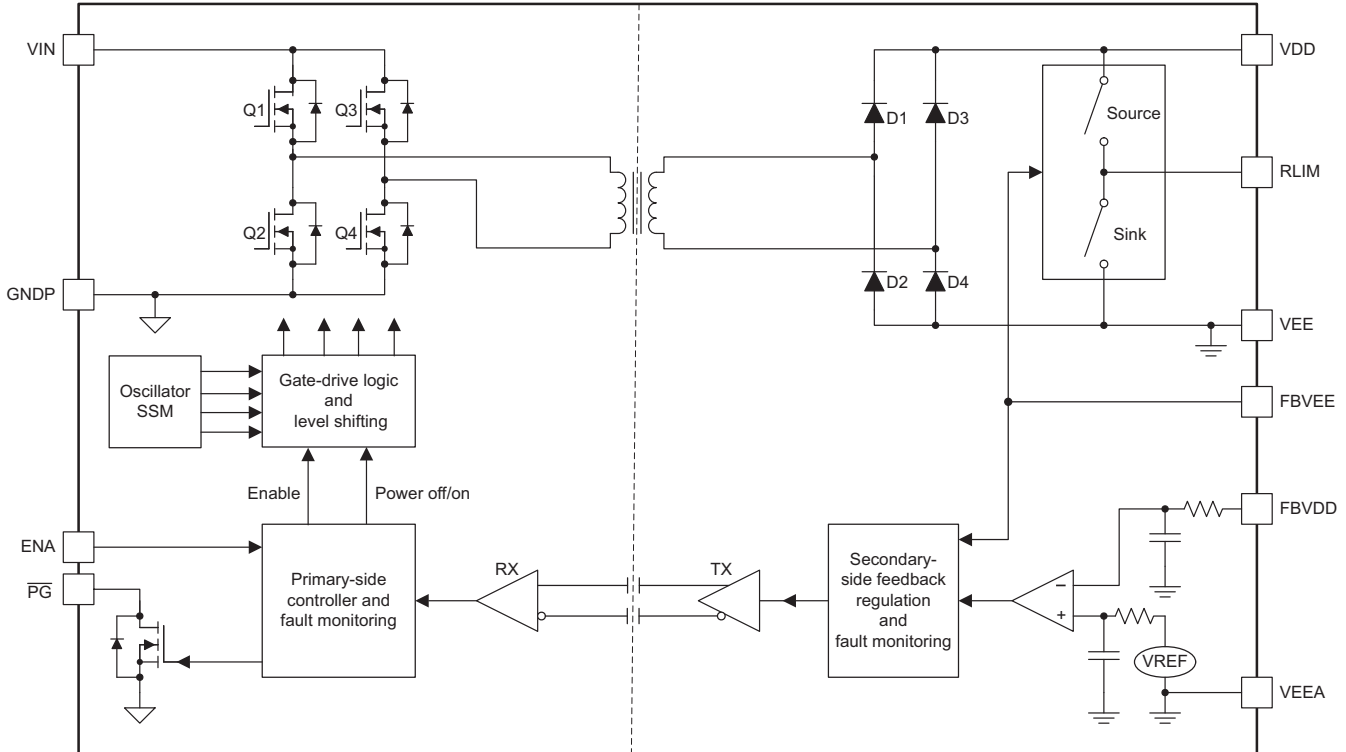
All trademarks are the property of their respective owners.

## 1 Overview

This document contains information for the UCC1424x-Q1 (DWN-36 package) to aid in a functional safety system design. Information provided are:

- Functional safety failure in time (FIT) rates of the semiconductor component estimated by the application of industry reliability standards
- Component failure modes and their distribution (FMD) based on the primary function of the device
- Pin failure mode analysis (pin FMA)

Figure 1-1 shows the device functional block diagram for reference.



**Figure 1-1. Functional Block Diagram**

The UCC1424x-Q1 was developed using a quality-managed development process, but was not developed in accordance with the IEC 61508 or ISO 26262 standards.

**ADVANCE INFORMATION for preproduction products; subject to change without notice.**

## 2 Functional Safety Failure In Time (FIT) Rates

### 2.1 DWN-36 Package

This section provides functional safety failure in time (FIT) rates for the DWN-36 package of the UCC1424x-Q1 based on two different industry-wide used reliability standards:

- [Table 2-1](#) provides FIT rates based on IEC TR 62380 / ISO 26262 part 11
- [Table 2-2](#) provides FIT rates based on the Siemens Norm SN 29500-2

**Table 2-1. Component Failure Rates per IEC TR 62380 / ISO 26262 Part 11**

FIT IEC TR 62380 / ISO 26262	FIT (Failures Per 10 <sup>9</sup> Hours)
Total component FIT rate (1500 mW, 1000 mW, 500 mW)	43, 39, 35
Die FIT rate (1500 mW, 1000 mW, 500 mW)	8, 6, 4
Package FIT rate (1500 mW, 1000 mW, 500 mW)	35, 33, 31

The failure rate and mission profile information in [Table 2-1](#) comes from the reliability data handbook IEC TR 62380 / ISO 26262 part 11:

- Mission profile: Motor control from table 11
- Power dissipation: 1500 mW, 1000 mW, 500 mW
- Climate type: World-wide table 8
- Package factor ( $\lambda_3$ ): Table 17b
- Substrate material: FR4
- EOS FIT rate assumed: 0 FIT

**Table 2-2. Component Failure Rates per Siemens Norm SN 29500-2**

Table	Category	Reference FIT Rate	Reference Virtual T <sub>J</sub>
5	CMOS, BICMOS Digital, analog, or mixed	60 FIT	70°C

The reference FIT rate and reference virtual T<sub>J</sub> (junction temperature) in [Table 2-2](#) come from the Siemens Norm SN 29500-2 tables 1 through 5. Failure rates under operating conditions are calculated from the reference failure rate and virtual junction temperature using conversion information in SN 29500-2 section 4.

### 3 Failure Mode Distribution (FMD)

The failure mode distribution estimation for the UCC1424x-Q1 in [Table 3-1](#) comes from the combination of common failure modes listed in standards such as IEC 61508 and ISO 26262, the ratio of sub-circuit function size and complexity, and from best engineering judgment.

The failure modes listed in this section reflect random failure events and do not include failures resulting from misuse or overstress.

**Table 3-1. Die Failure Modes and Distribution**

Die Failure Modes	Failure Mode Distribution (%)
VDD or VEE has no power	59
VDD or VEE accuracy not meeting spec	25
PG indicates wrong state	10
Degraded EMI performance	3
No effect	3

The FMD in [Table 3-1](#) excludes short-circuit faults across the isolation barrier. Faults for short circuits across the isolation barrier can be excluded according to ISO 61800-5-2:2016 if the following requirements are fulfilled:

1. The signal isolation component is OVC III according to IEC 61800-5-1. If a safety-separated extra low voltage (SELV) or protective extra low voltage (PELV) power supply is used, pollution degree 2 / OVC II applies. All requirements of IEC 61800-5-1:2007, 4.3.6 apply.
2. Measures are taken to ensure that an internal failure of the signal isolation component cannot result in excessive temperature of its insulating material.

Apply creepage and clearance requirements according to the specific equipment isolation standards of an application. Care must be taken to maintain the creepage and clearance distance of a board design to ensure that the mounting pads of the isolator on the printed-circuit board do not reduce this distance.

## 4 Pin Failure Mode Analysis (Pin FMA)

This section provides a failure mode analysis (FMA) for the pins of the UCC1424x-Q1 (DWN-36 package). The failure modes covered in this document include the typical pin-by-pin failure scenarios:

- Pin short-circuited to ground (see [Table 4-2](#))
- Pin open-circuited (see [Table 4-3](#))
- Pin short-circuited to an adjacent pin (see [Table 4-4](#))
- Pin short-circuited to supply (see [Table 4-5](#))

[Table 4-2](#) through [Table 4-5](#) also indicate how these pin conditions can affect the device as per the failure effects classification in [Table 4-1](#).

**Table 4-1. TI Classification of Failure Effects**

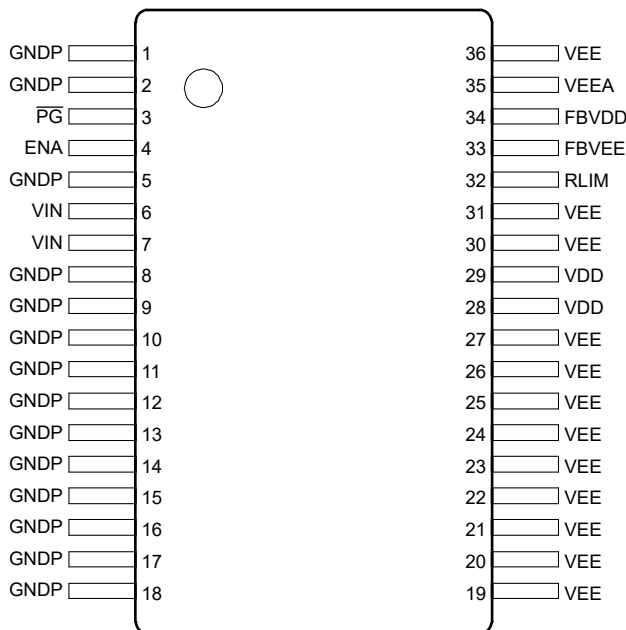
Class	Failure Effects
A	Potential device damage that affects functionality
B	No device damage, but loss of functionality
C	No device damage, but performance degradation
D	No device damage, no impact to functionality or performance

Following are the assumptions of use and the device configuration assumed for the pin FMA in this section:

- The device is configured as Dual Adjustable Output Configuration diagram in the Typical Application section of the datasheet
- VIN is considered as the supply pin for primary-side pins
- GNDP is considered as the ground pin for primary-side pins
- VDD is considered as the supply pin for secondary-side pins
- VEE is considered as the ground pin for secondary-side pins

### 4.1 DWN-36 Package

[Figure 4-1](#) shows the UCC1424x-Q1 pin diagram for the DWN-36 package. For a detailed description of the device pins, see the *Pin Configuration and Functions* section in the UCC1424x-Q1 data sheet.



**Figure 4-1. Pin Diagram (DWN-36) Package**

**Table 4-2. Pin FMA for Device Pins Short-Circuited to Ground**

Pin Name	Pin No.	Description of Potential Failure Effect(s)	Failure Effect Class
GNDP	1	No effect.	D
GNDP	2	No effect.	D
$\overline{\text{PG}}$	3	$\overline{\text{PG}}$ is always low. MCU can't detect the status of the bias supply.	C
ENA	4	Device is disabled. No output.	B
GNDP	5	No effect.	D
VIN	6	Device is not powered. No output.	B
VIN	7	Device is not powered. No output.	B
GNDP	8	No effect.	D
GNDP	9	No effect.	D
GNDP	10	No effect.	D
GNDP	11	No effect.	D
GNDP	12	No effect.	D
GNDP	13	No effect.	D
GNDP	14	No effect.	D
GNDP	15	No effect.	D
GNDP	16	No effect.	D
GNDP	17	No effect.	D
GNDP	18	No effect.	D
VEE	19	No effect.	D
VEE	20	No effect.	D
VEE	21	No effect.	D
VEE	22	No effect.	D
VEE	23	No effect.	D
VEE	24	No effect.	D
VEE	25	No effect.	D
VEE	26	No effect.	
VEE	27	No effect.	D
VDD	28	Device is disabled. No output.	B
VDD	29	Device is disabled. No output.	B
VEE	30	No effect.	D
VEE	31	No effect.	D
RLIM	32	Device is disabled. No output.	B
FBVEE	33	Device is disabled. No output.	B
FBVDD	34	Device is disabled. No output.	B
VEEA	35	No effect.	D
VEE	36	No effect.	D

**Table 4-3. Pin FMA for Device Pins Open-Circuited**

Pin Name	Pin No.	Description of Potential Failure Effect(s)	Failure Effect Class
GNDP	1	No effect.	D
GNDP	2	No effect.	D
$\overline{\text{PG}}$	3	MCU can't detect the status of the bias supply.	C
ENA	4	Undetermined state. The device could be on or off, depending on the noise on ENA pin.	B
GNDP	5	No effect.	D
VIN	6	Device is disabled. No output.	B
VIN	7	Device is disabled. No output.	B
GNDP	8	Voltage ringing will increase above normal increasing voltage stress at maximum VIN voltage.	C
GNDP	9	Voltage ringing will increase above normal increasing voltage stress at maximum VIN voltage.	C
GNDP	10	No effect.	D
GNDP	11	No effect.	D
GNDP	12	No effect.	D
GNDP	13	No effect.	D
GNDP	14	No effect.	D
GNDP	15	No effect.	D
GNDP	16	No effect.	D
GNDP	17	No effect.	D
GNDP	18	No effect.	D
VEE	19	No effect.	D
VEE	20	No effect.	D
VEE	21	No effect.	D
VEE	22	No effect.	D
VEE	23	No effect.	D
VEE	24	No effect.	D
VEE	25	No effect.	D
VEE	26	No effect.	D
VEE	27	No effect.	D
VDD	28	Voltage ringing will increase above normal increasing voltage stress at maximum VIN voltage.	C
VDD	29	Voltage ringing will increase above normal increasing voltage stress at maximum VIN voltage.	C
VEE	30	Voltage ringing will increase above normal increasing voltage stress at maximum VIN voltage.	C
VEE	31	Voltage ringing will increase above normal increasing voltage stress at maximum VIN voltage.	C
RLIM	32	Device is disabled. No output.	B
FBVEE	33	Device is disabled. No output.	B
FBVDD	34	Device is disabled. No output.	B
VEEA	35	No effect.	D
VEE	36	No effect.	D

**Table 4-4. Pin FMA for Device Pins Short-Circuited to Adjacent Pin**

Pin Name	Pin No.	Shorted to	Description of Potential Failure Effect(s)	Failure Effect Class
GNDP	1	GNDP	No effect.	D
GNDP	2	$\overline{PG}$	Device is disabled. No output.	B
$\overline{PG}$	3	ENA	Device can't stay on because once output voltage is generated, $\overline{PG}$ will disable the device	B
ENA	4	GNDP	Device is disabled. No output.	B
GNDP	5	VIN	Device is not powered. No output.	B
VIN	6	VIN	No effect.	D
VIN	7	GNDP	Device is not powered. No output.	B
GNDP	8	GNDP	No effect.	D
GNDP	9	GNDP	No effect.	D
GNDP	10	GNDP	No effect.	D
GNDP	11	GNDP	No effect.	D
GNDP	12	GNDP	No effect.	D
GNDP	13	GNDP	No effect.	D
GNDP	14	GNDP	No effect.	D
GNDP	15	GNDP	No effect.	D
GNDP	16	GNDP	No effect.	D
GNDP	17	GNDP	No effect.	D
GNDP	18	N/A	N/A	N/A
VEE	19	VEE	No effect.	D
VEE	20	VEE	No effect.	D
VEE	21	VEE	No effect.	D
VEE	22	VEE	No effect.	D
VEE	23	VEE	No effect.	D
VEE	24	VEE	No effect.	D
VEE	25	VEE	No effect.	D
VEE	26	VEE	No effect.	D
VEE	27	VDD	Device is disabled. No output.	B
VDD	28	VDD	No effect.	D
VDD	29	VEE	Device is disabled. No output.	B
VEE	30	VEE	No effect.	D
VEE	31	RLIM	Device is disabled. No output.	B
RLIM	32	FBVEE	RLIM will not regulate correctly.	B
FBVEE	33	FBVDD	VDD and RLIM can't regulate correctly.	B
FBVDD	34	VEEA	Device is disabled. No output.	B
VEEA	35	VEE	No effect.	D
VEE	36	N/A	N/A	N/A



**Table 4-5. Pin FMA for Device Pins Short-Circuited to supply**

Pin Name	Pin No.	Description of Potential Failure Effect(s)	Failure Effect Class
GNDP	1	Device is not powered. No output.	B
GNDP	2	Device is not powered. No output.	B
$\overline{\text{PG}}$	3	Exceed pin abs. max rating. Device damage is possible.	A
ENA	4	Device is always enabled. Pin voltage exceeds abs. max rating. Device damage is possible.	A
GNDP	5	Device is not powered. No output.	B
VIN	6	No effect.	D
VIN	7	No effect.	D
GNDP	8	Device is not powered. No output.	B
GNDP	9	Device is not powered. No output.	B
GNDP	10	Device is not powered. No output.	B
GNDP	11	Device is not powered. No output.	B
GNDP	12	Device is not powered. No output.	B
GNDP	13	Device is not powered. No output.	B
GNDP	14	Device is not powered. No output.	B
GNDP	15	Device is not powered. No output.	B
GNDP	16	Device is not powered. No output.	B
GNDP	17	Device is not powered. No output.	B
GNDP	18	Device is not powered. No output.	B
VEE	19	Device is disabled. No output.	B
VEE	20	Device is disabled. No output.	B
VEE	21	Device is disabled. No output.	B
VEE	22	Device is disabled. No output.	B
VEE	23	Device is disabled. No output.	B
VEE	24	Device is disabled. No output.	B
VEE	25	Device is disabled. No output.	B
VEE	26	Device is disabled. No output.	B
VEE	27	Device is disabled. No output.	B
VDD	28	No effect.	D
VDD	29	No effect.	D
VEE	30	Device is disabled. No output.	B
VEE	31	Device is disabled. No output.	B
RLIM	32	Device is disabled. No output.	B
FBVEE	33	Device is disabled. No output.	B
FBVDD	34	Device is disabled. No output.	B
VEEA	35	Device is disabled. No output.	B
VEE	36	Device is disabled. No output.	B

## IMPORTANT NOTICE AND DISCLAIMER

TI PROVIDES TECHNICAL AND RELIABILITY DATA (INCLUDING DATA SHEETS), DESIGN RESOURCES (INCLUDING REFERENCE DESIGNS), APPLICATION OR OTHER DESIGN ADVICE, WEB TOOLS, SAFETY INFORMATION, AND OTHER RESOURCES "AS IS" AND WITH ALL FAULTS, AND DISCLAIMS ALL WARRANTIES, EXPRESS AND IMPLIED, INCLUDING WITHOUT LIMITATION ANY IMPLIED WARRANTIES OF MERCHANTABILITY, FITNESS FOR A PARTICULAR PURPOSE OR NON-INFRINGEMENT OF THIRD PARTY INTELLECTUAL PROPERTY RIGHTS.

These resources are intended for skilled developers designing with TI products. You are solely responsible for (1) selecting the appropriate TI products for your application, (2) designing, validating and testing your application, and (3) ensuring your application meets applicable standards, and any other safety, security, regulatory or other requirements.

These resources are subject to change without notice. TI grants you permission to use these resources only for development of an application that uses the TI products described in the resource. Other reproduction and display of these resources is prohibited. No license is granted to any other TI intellectual property right or to any third party intellectual property right. TI disclaims responsibility for, and you will fully indemnify TI and its representatives against, any claims, damages, costs, losses, and liabilities arising out of your use of these resources.

TI's products are provided subject to [TI's Terms of Sale](#) or other applicable terms available either on [ti.com](http://ti.com) or provided in conjunction with such TI products. TI's provision of these resources does not expand or otherwise alter TI's applicable warranties or warranty disclaimers for TI products.

TI objects to and rejects any additional or different terms you may have proposed.

Mailing Address: Texas Instruments, Post Office Box 655303, Dallas, Texas 75265  
Copyright © 2022, Texas Instruments Incorporated