

DAC38RFxx デュアルまたはシングルチャネル、シングルエンドまたは差動出力、14ビット、9GSPS、RF サンプリング DAC、JESD204B インターフェイスとオンチップ PLL 搭載

1 特長

- 14ビット分解能
- 最大 DAC サンプリング レート: 9GSPS
- 主な仕様
 - 2.1GHz における RF フルスケール出力電力:
 - DAC38RF80/90/84: 0dBm
 - DAC38RF83/93/85: 3dBm (2:1 バルンの場合)
 - スペクトル性能 (オンチップ PLL、DIFF):
 - $f_{DAC} = 5898.24\text{MSPS}$, $f_{OUT} = 2.14\text{GHz}$
 - WCDMA ACLR: 75dBc
 - WCDMA alt-ACLR: 77dBc
 - $f_{DAC} = 8847.36\text{MSPS}$, $f_{OUT} = 3.7\text{GHz}$
 - 20MHz LTE ACLR: 63dBc
 - $f_{DAC} = 9\text{GSPS}$, $f_{OUT} = 1.8\text{GHz}$
 - IMD3 = 70dBc (-6dBFS, 10MHz トーン間隔)
 - NSD = -157dBc/Hz
- DAC ごとのデュアルバンドのデジタル昇圧コンバータ
 - 6、8、10、12、16、18、20、24x の補間
 - 48ビット分解能を持つ4つの独立 NCO
- JESD204B インターフェイス、サブクラス 1
 - マルチチップの同期をサポート
 - 最大レーン速度: 12.5Gbps
- バルン内蔵のシングルエンド出力 (DAC38RF80/90/84)、700MHz~3800MHz に対応
- PLL および VCO 内蔵、バイパス付き
 - $f_{C(VCO)} = 5.9$ または 8.9GHz
- 消費電力: 1.4~2.2W/チャネル
- 電源: -1.8V、1V、1.8V
- パッケージ: 10 × 10mm BGA、0.8mm ピッチ、144 ボール

2 アプリケーション

- ワイヤレス通信
- 通信テスト機器
- 任意波形ジェネレータ
- 軍用ソフトウェア無線
- レーダーおよび衛星通信 (SATCOM)

3 概要

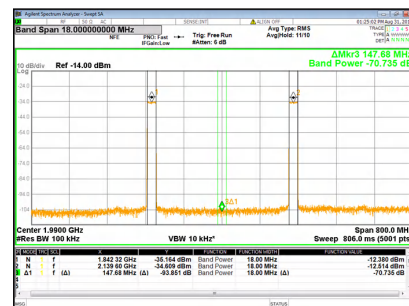
DAC38RFxx は高性能、デュアル/シングルチャネル、14ビット、9GSPS、RF サンプリングのデジタル/アナログコンバータ(DAC)のファミリーで、0~4.5GHzの広帯域の信号を合成できます。DAC38RFxx ファミリーはダイナミックレンジが広いので、ワイヤレス基地局やレーダー用の3G/4G信号など、広範なアプリケーション用の信号を生成できます。

このデバイスには低消費電力のJESD204Bインターフェイスが搭載され、8つまでのレーンで最大12.5Gbpsのビット速度をサポートするため、チャネルごとに1.25GSPSの複素数データを入力できます。DAC38RFxxにはチャネルごとに2つのデジタルアップコンバータが搭載されており、複数の補間レートオプションを選択できます。独立した、柔軟な周波数を選択できるNCOを持つ、デジタル直交変調器が利用可能で、マルチバンドの動作に対応できます。オプションの低ジッタPLL/VCOにより、低い周波数の基準クロックを使用できるため、DACサンプリングクロックの生成が簡単になります。

製品情報

| 部品番号 ⁽¹⁾ ⁽²⁾ | 出力タイプ | チャネル数 |
|------------------------------------|---------|-------|
| DAC38RF83 | 差動 | 2 |
| DAC38RF93 | | 2 |
| DAC38RF85 | | 1 |
| DAC38RF80 | シングルエンド | 2 |
| DAC38RF90 | | 2 |
| DAC38RF84 | | 1 |

- 利用可能なすべてのパッケージについては、このデータシートの末尾にある注文情報を参照してください。
- 利用可能なすべてのデバイスオプションについては、「[デバイス比較](#)」表を参照してください。



1.84GHz および 2.14GHz における 2×20MHz LTE、800MHz スパン



Table of Contents

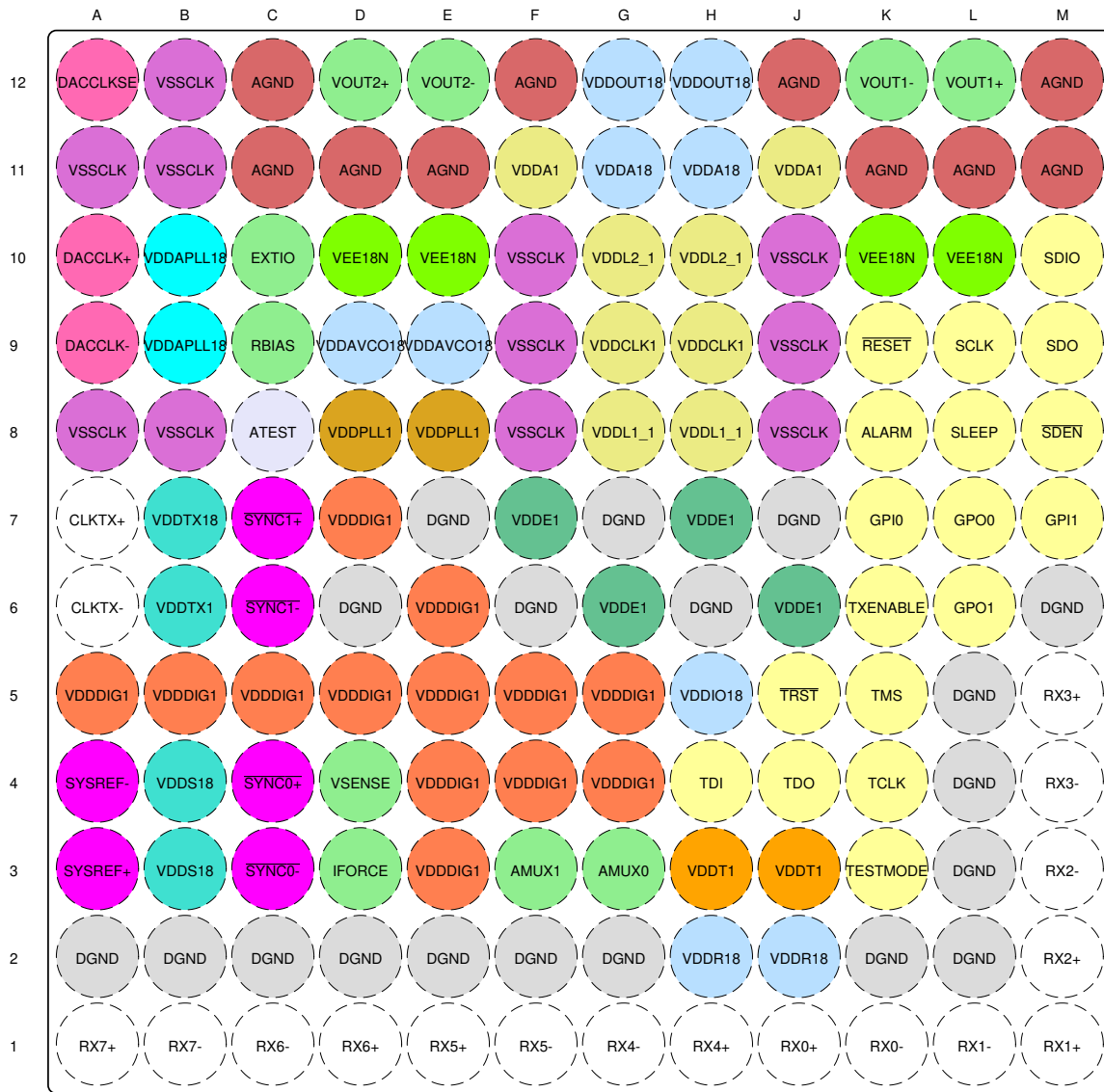
| | | | |
|--|----|---|------------|
| 1 特長..... | 1 | 7.3 Feature Description..... | 37 |
| 2 アプリケーション..... | 1 | 7.4 Device Functional Modes..... | 75 |
| 3 概要..... | 1 | 7.5 Register Maps..... | 79 |
| 4 Device Comparison..... | 3 | 8 Application and Implementation..... | 144 |
| 5 Pin Configuration and Functions..... | 4 | 8.1 Application Information..... | 144 |
| 6 Specifications..... | 10 | 8.2 Typical Application: Multi-band Radio Frequency Transmitter..... | 145 |
| 6.1 Absolute Maximum Ratings..... | 10 | 8.3 Power Supply Recommendations..... | 147 |
| 6.2 ESD Ratings..... | 10 | 8.4 Layout..... | 148 |
| 6.3 Recommended Operating Conditions..... | 10 | 9 Device and Documentation Support..... | 152 |
| 6.4 Thermal Information..... | 12 | 9.1 ドキュメントの更新通知を受け取る方法..... | 152 |
| 6.5 Electrical Characteristics - DC Specifications..... | 12 | 9.2 サポート・リソース..... | 152 |
| 6.6 Electrical Characteristics - Digital Specifications..... | 15 | 9.3 Trademarks..... | 152 |
| 6.7 Electrical Characteristics - AC Specifications..... | 18 | 9.4 静電気放電に関する注意事項..... | 152 |
| 6.8 PLL/VCO Electrical Characteristics..... | 21 | 9.5 用語集..... | 152 |
| 6.9 Timing Requirements..... | 22 | 10 Revision History..... | 152 |
| 6.10 Typical Characteristics..... | 23 | 11 Mechanical, Packaging, and Orderable Information..... | 156 |
| 7 Detailed Description..... | 31 | | |
| 7.1 Overview..... | 31 | | |
| 7.2 Functional Block Diagrams..... | 31 | | |

4 Device Comparison

表 4-1. Device Comparison

| Device | No. of Channels | Output | Interpolation | VCO Center Frequency |
|-----------|-----------------|--------------|---------------|------------------------------------|
| DAC38RF83 | 2 | Differential | 6-24 | VCO0 = 5.9 GHz, VCO1 = 8.85 GHz |
| DAC38RF93 | 2 | | 12-24 | VCO0 = 5.9 GHz, VCO1 = 8.85 GHz |
| DAC38RF85 | 1 | | 6-24 | VCO0 = 5.9 GHz, VCO1 = 8.85 GHz |
| DAC38RF80 | 2 | Single ended | 6-24 | VCO0 = 5.9 GHz, VCO1 = 8.85 GHz |
| DAC38RF90 | 2 | | 12-24 | VCO0 = 5.9 GHz, VCO1 = 8.85 GHz |
| DAC38RF84 | 1 | | 6-24 | VCO0 = 5.9 GHz, VCO1 = 8.85 GHz |

5 Pin Configuration and Functions



Not to scale

5-1. DAC38RF83, DAC38RF93, DAC38RF85 AAV Package 144-Pin (FCBGA) 144-Pin FCBGA Top View

Pin Functions - DAC38RF83, DAC38RF93, DAC38RF85

| PIN | | I/O | DESCRIPTION |
|--------|--|-----|--|
| NAME | NO. | | |
| AGND | C11, C12, D11, E11, F12, J12, K11, L11, M11, M12 | – | Analog ground. |
| ALARM | K8 | O | CMOS output for ALARM condition. Default polarity is active low, but can be changed to active high through RESET_CONFIG alm_out_pol control bit. |
| AMUX0 | G3 | O | Analog test pin for SerDes, Lane 0 to Lane 3. Can be left floating. |
| AMUX1 | F3 | O | Analog test pin for SerDes, Lane 4 to Lane 7. Can be left floating. |
| ATEST | C8 | O | Analog test pin for DAC, references and PLL. Can be left floating. |
| CLKTX+ | A7 | O | Divided output clock, internal 100 Ω differential termination, self-biased, positive terminal. |
| CLKTX- | A6 | O | Divided output clock, internal 100 Ω differential termination, self-biased, negative terminal. |

Pin Functions - DAC38RF83, DAC38RF93, DAC38RF85 (続き)

| PIN | | I/O | DESCRIPTION |
|----------|--|-----|---|
| NAME | NO. | | |
| DACCLK+ | A10 | I | Device clock, internal 100 Ω differential termination, self-biased, positive terminal. |
| DACCLK- | A9 | I | Device clock, internal 100 Ω differential termination, self-biased, negative terminal. |
| DACCLKSE | A12 | I | Single ended device clock optional input. Can be left floating if not used. internal 50 Ω termination. |
| DGND | A2, B2, C2, D2, D6, E2, E7, F2, F6, G2, G7, H6, J7, K2, L2, L3, L4, L5, M6 | - | Digital ground. |
| EXTIO | C10 | I/O | Requires a 0.1 μF decoupling capacitor to AGND. |
| GPI0 | K7 | - | Factory use only. User should GND. |
| GPI1 | M7 | - | Factory use only. User should GND. |
| GPO0 | L7 | O | Used for CMOS SYNC0\ signal. |
| GPO1 | L6 | O | Used for CMOS SYNC1\ signal. |
| IFORCE | D3 | O | Test pin for on chip parametrics. Can be left floating. |
| RBIAS | C9 | O | Full-scale output current bias. Change the full-scale output current through DACFS in register DACFS (8.5.72). Expected to be 3.6 kΩ to GND for 40 mA full scale output. |
| RESET | K9 | I | Active low input for chip RESET, which resets all the programming registers to their default state. Internal pull-up. |
| RX0+ | J1 | I | CML SerDes interface lane 0 input, positive |
| RX0- | K1 | I | CML SerDes interface lane 0 input, negative |
| RX1+ | M1 | I | CML SerDes interface lane 1 input, positive |
| RX1- | L1 | I | CML SerDes interface lane 1 input, negative |
| RX2+ | M2 | I | CML SerDes interface lane 2 input, positive |
| RX2- | M3 | I | CML SerDes interface lane 2 input, negative |
| RX3+ | M5 | I | CML SerDes interface lane 3 input, positive |
| RX3- | M4 | I | CML SerDes interface lane 3 input, negative |
| RX4+ | H1 | I | CML SerDes interface lane 4 input, positive |
| RX4- | G1 | I | CML SerDes interface lane 4 input, negative |
| RX5+ | E1 | I | CML SerDes interface lane 5 input, positive |
| RX5- | F1 | I | CML SerDes interface lane 5 input, negative |
| RX6+ | D1 | I | CML SerDes interface lane 6 input, positive |
| RX6- | C1 | I | CML SerDes interface lane 6 input, negative |
| RX7+ | A1 | I | CML SerDes interface lane 7 input, positive |
| RX7- | B1 | I | CML SerDes interface lane 7 input, negative |
| SCLK | L9 | I | Serial interface clock. Internal pull-down. |
| SDEN | M8 | I | Active low serial data enable, always an input to the DAC38RFxx. Internal pull-up. |
| SDIO | M10 | I/O | Serial interface data. Bi-directional in 3-pin mode (default) and uni-directional input 4-pin mode. Internal pull-down. |
| SDO | M9 | O | Uni-directional serial interface data output in 4-pin mode. The SDO pin is tri-stated in 3-pin interface mode (default). |
| SLEEP | L8 | I | Active high asynchronous hardware power-down input. Internal pull-down. |
| SYNC0+ | C4 | O | Synchronization request to transmitter for JESD204B link 0, LVDS positive output. |
| SYNC0- | C3 | O | Synchronization request to transmitter for JESD204B link 0, LVDS negative output. |
| SYNC1+ | C7 | O | Synchronization request to transmitter for JESD204B link 1, LVDS positive output. |
| SYNC1- | C6 | O | Synchronization request to transmitter for JESD204B link 1, LVDS negative output. |
| SYSREF+ | A3 | I | LVPECL SYSREF positive input, internal 100 Ω differential termination, self biased. This positive/negative pair is captured with the rising edge of DACCLKP/N. It is used for multiple DAC synchronization. |
| SYSREF- | A4 | I | LVPECL SYSREF negative input, self biased, internal 100 Ω differential termination. (See the SYSREF+ description) |
| TCLK | K4 | I | JTAG test clock. Internal pull-down |
| TDI | H4 | I | JTAG test data in. Internal pull-up |
| TDO | J4 | O | JTAG test data out. Internal pull-up |

Pin Functions - DAC38RF83, DAC38RF93, DAC38RF85 (続き)

| PIN | | I/O | DESCRIPTION |
|-----------|--|-----|--|
| NAME | NO. | | |
| TESTMODE | K3 | - | This pin is used for factory testing. Recommended to connect to ground for normal operation. |
| TMS | K5 | I | JTAG test mode select. Internal pull-up |
| TRST | J5 | I | JTAG test reset. Internal pull-up. Must be connected to ground if not used |
| TXENABLE | K6 | I | Transmit enable active high input. Internal pull-down. This pin is ORed with spi_txenable bit in JESD_FIFO register to enable analog output data transmission. To enable analog output data transmission, pull the CMOS TXENABLE pin to high. To disable analog output, pull CMOS TXENABLE pin to low. The DAC output is forced to midscale. |
| VDDA1 | F11, J11 | I | Analog 1 V supply voltage. Must be separated from VDDDIG1 supply for best performance. |
| VDDA18 | G11, H11 | I | Analog 1.8 V supply voltage. (1.8 V) |
| VDDPLL1 | D8, E8 | I | Analog 1 V supply for PLL. |
| VDDAPLL18 | B9, B10 | I | PLL analog supply voltage. (1.8 V) |
| VDDAVCO18 | D9, E9 | I | Analog supply voltage for VCO (1.8 V) |
| VDDCLK1 | G9, H9 | I | Internal clock buffer supply voltage (1 V). It is recommended to isolate this supply from VDDDIG1 and VDDA1. |
| VDDL1_1 | G8, H8 | I | DAC core supply voltage. (1 V) |
| VDDL2_1 | G10, H10 | I | DAC core supply voltage. (1 V) |
| VDDDIG1 | A5, B5, C5, D5, D7, E3, E4, E5, E6, F4, F5, G4, G5 | I | Digital supply voltage. (1 V). It is recommended to isolate this supply from VDDCLK1 and VDDA1. |
| VDDE1 | F7, H7, G6, J6 | I | Digital Encoder supply voltage (1 V). Must be separated from VDDDIG1 supply for best performance. |
| VDDIO18 | H5 | I | Supply voltage for all digital I/O and CMOS I/O (1.8 V). |
| VDDOUT18 | G12, H12 | I | DAC output supply. (1.8 V) |
| VDDR18 | H2, J2 | I | Supply voltage for SerDes. (1.8 V) |
| VDDS18 | B3, B4 | I | Supply voltage for LVDS SYNC0+/- and SYNC1+/- (1.8 V) |
| VDDT1 | H3, J3 | I | Supply voltage for SerDes termination. (1 V) |
| VDDTX1 | B6 | I | Supply voltage for divided clock output. (1 V) |
| VDDTX18 | B7 | I | Supply voltage for divided clock output . (1.8 V) |
| VEE18N | D10, E10, K10, L10 | I | Analog supply voltage. (-1.8 V) |
| VOUT1+ | L12 | O | DAC channel 1 output. |
| VOUT1- | K12 | O | DAC channel 1 complementary output. |
| VOUT2+ | D12 | O | DAC channel 2 output. Leave pin floating in DAC38RF85 |
| VOUT2- | E12 | O | DAC channel 2 complementary output. Leave pin floating in DAC38RF85 |
| VSENSE | D4 | O | Test pin for on chip parametrics. Can be left floating. |
| VSSCLK | A8, A11, B8, B11, B12, F8, F9, F10, J8, J9, J10 | - | Clock ground. |



Not to scale

図 5-2. DAC38RF80, DAC38RF84, DAC38RF90 AAV Package 144-Pin (FCBGA) 144-Pin FCBGA Top View

Pin Functions - DAC38RF80, DAC38RF90, DAC38RF84

| PIN | | I/O | DESCRIPTION |
|-------|--|-----|--|
| NAME | NO. | | |
| AGND | C11, C12, D11, E11, F12, J12, K11, L11, M11, M12, D12, L12 | - | Analog ground. |
| ALARM | K8 | O | CMOS output for ALARM condition. Default polarity is active low, but can be changed to active high through RESET_CONFIG alm_out_pol control bit. |
| AMUX0 | G3 | O | Analog test pin for SerDes, Lane 0 to Lane 3. Can be left floating. |
| AMUX1 | F3 | O | Analog test pin for SerDes, Lane 4 to Lane 7. Can be left floating. |

Pin Functions - DAC38RF80, DAC38RF90, DAC38RF84 (続き)

| PIN | | I/O | DESCRIPTION |
|----------|--|-----|---|
| NAME | NO. | | |
| ATEST | C8 | O | Analog test pin for DAC, references and PLL. Can be left floating. |
| CLKTX+ | A7 | O | Divided output clock, internal 100 Ω differential termination, self-biased, positive terminal. |
| CLKTX- | A6 | O | Divided output clock, internal 100 Ω differential termination, self-biased, negative terminal. |
| DACCLK+ | A10 | I | Device clock, internal 100 Ω differential termination, self-biased, positive terminal. |
| DACCLK- | A9 | I | Device clock, internal 100 Ω differential termination, self-biased, negative terminal. |
| DACCLKSE | A12 | I | Single ended device clock optional input. Can be left floating if not used. internal 50 Ω termination |
| DGND | A2, B2, C2, D2, D6, E2, E7, F2, F6, G2, G7, H6, J7, K2, L2, L3, L4, L5, M6 | - | Digital ground. |
| EXTIO | C10 | | Requires a 0.1 μF decoupling capacitor to AGND. |
| GPI0 | L6 | | Factory use only. User should GND. |
| GPI1 | M7 | | Factory use only. User should GND. |
| GPO0 | L7 | | Used for CMOS SYNC0\ signal. |
| GPI01 | K7 | | Used for CMOS SYNC1\ signal. |
| IFORCE | D3 | | Test pin for on chip parametrics. Can be left floating. |
| RBIAS | C9 | I/O | Full-scale output current bias. Change the full-scale output current through DACFS in register DACFS (8.5.72). Expected to be 3.6 kΩ to GND for 40 mA full scale output. |
| RESET | K9 | I | Active low input for chip RESET, which resets all the programming registers to their default state. Internal pull-up. |
| RX0+ | J1 | I | CML SerDes interface lane 0 input, positive |
| RX0- | K1 | I | CML SerDes interface lane 0 input, negative |
| RX1+ | M1 | I | CML SerDes interface lane 1 input, positive |
| RX1- | L1 | I | CML SerDes interface lane 1 input, negative |
| RX2+ | M2 | I | CML SerDes interface lane 2 input, positive |
| RX2- | M3 | I | CML SerDes interface lane 2 input, negative |
| RX3+ | M5 | I | CML SerDes interface lane 3 input, positive |
| RX3- | M4 | I | CML SerDes interface lane 3 input, negative |
| RX4+ | H1 | I | CML SerDes interface lane 4 input, positive |
| RX4- | G1 | I | CML SerDes interface lane 4 input, negative |
| RX5+ | E1 | I | CML SerDes interface lane 5 input, positive |
| RX5- | F1 | I | CML SerDes interface lane 5 input, negative |
| RX6+ | D1 | I | CML SerDes interface lane 6 input, positive |
| RX6- | C1 | I | CML SerDes interface lane 6 input, negative |
| RX7+ | A1 | I | CML SerDes interface lane 7 input, positive |
| RX7- | B1 | I | CML SerDes interface lane 7 input, negative |
| SCLK | L9 | I | Serial interface clock. Internal pull-down. |
| SDEN | M8 | I | Active low serial data enable, always an input to the DAC38RFxx. Internal pull-up. |
| SDIO | M10 | I/O | Serial interface data. Bi-directional in 3-pin mode (default) and uni-directional input 4-pin mode. Internal pull-down. |
| SDO | M9 | O | Uni-directional serial interface data output in 4-pin mode. The SDO pin is tri-stated in 3-pin interface mode (default). |
| SLEEP | L8 | I | Active high asynchronous hardware power-down input. Internal pull-down. |
| SYNC0+ | C4 | O | Synchronization request to transmitter for JESD204B link 0, LVDS positive output. |
| SYNC0- | C3 | O | Synchronization request to transmitter for JESD204B link 0, LVDS negative output. |
| SYNC1+ | C7 | O | Synchronization request to transmitter for JESD204B link 1, LVDS positive output. |
| SYNC1- | C6 | O | Synchronization request to transmitter for JESD204B link 1, LVDS negative output. |
| SYSREF+ | A3 | I | LVPECL SYSREF positive input, internal 100 Ω differential termination, self biased. This positive/negative pair is captured with the rising edge of DACCLKP/N. It is used for multiple DAC synchronization. |
| SYSREF- | A4 | I | LVPECL SYSREF negative input, internal 100 Ω differential termination, self biased. (See the SYSREF+ description) |

Pin Functions - DAC38RF80, DAC38RF90, DAC38RF84 (続き)

| PIN | | I/O | DESCRIPTION |
|-----------|--|-----|---|
| NAME | NO. | | |
| TCLK | K4 | I | JTAG test clock. Internal pull-down |
| TDI | H4 | I | JTAG test data in. Internal pull-up |
| TDO | J4 | O | JTAG test data out. Internal pull-up |
| TESTMODE | K3 | I | This pin is used for factory testing. Recommended to connect to ground. |
| TMS | K5 | I | JTAG test mode select. Internal pull-up |
| TRST | J5 | I | JTAG test reset. Must be connected to ground if not used. Internal pull-up |
| TXENABLE | K6 | I | Transmit enable active high input. Internal pull-down. This pin is ORed with spi_txenable bit in JESD_FIFO register to enable analog output data transmission. To enable analog output data transmission, pull the CMOS TXENABLE pin to high. To disable analog output, pull CMOS TXENABLE pin to low. The DAC output is forced to midscale. |
| VDDA1 | F11, J11 | I | Analog 1V supply voltage. Must be separated from VDDDIG1 supply for best performance |
| VDDA18 | G11, H11 | I | Analog 1.8V supply voltage. (1.8 V) |
| VDDPLL1 | D8, E8 | I | Analog 1V supply for PLL. (1 V) |
| VDDAPLL18 | B9, B10 | I | PLL analog supply voltage. (1.8 V) |
| VDDAVCO18 | D9, E9 | I | Analog supply voltage for VCO (1.8 V) |
| VDDCLK1 | G9, H9 | I | Internal clock buffer supply voltage (1 V) It is recommended to isolate this supply from VDDDIG1 and VDDA1. |
| VDDL1_1 | G8, H8 | I | DAC core supply voltage. (1 V) |
| VDDL2_1 | G10, H10 | I | DAC core supply voltage. (1 V) |
| VDDDIG1 | A5, B5, C5, D5, D7, E3, E4, E5, E6, F4, F5, G4, G5 | I | Digital supply voltage. (1 V) It is recommended to isolate this supply from VDDCLK1 and VDDA1. |
| VDDE1 | F7, H7, G6, J6 | I | Digital Encoder supply voltage (1 V). Must be separated from VDDDIG1 Must be separated from VDDDIG1 supply for best performance |
| VDDIO18 | H5 | I | Supply voltage for all digital I/O and CMOS I/O. (1.8 V) |
| VDDOUT18 | G12, H12 | I | DAC supply voltage (1.8 V) |
| VDDR18 | H2, J2 | I | Supply voltage for SerDes. (1.8 V) |
| VDDS18 | B3, B4 | I | Supply voltage for LVDS SYNC0+/- and SYNC1+/- (1.8V) |
| VDDT1 | H3, J3 | I | Supply voltage for SerDes termination. (1 V) |
| VDDTX1 | B6 | I | Supply voltage for divided clock output. (1 V) |
| VDDTX18 | B7 | I | Supply voltage for divided clock output. (1.8 V) |
| VEE18N | D10, E10, K10, L10 | I | Analog supply voltage. (-1.8 V) |
| VOU1 | K12 | O | DAC channel 1 single ended output. |
| VOU2 | E12 | O | DAC channel 2 single ended output. Leave pin floating in DAC38RF84 |
| VSENSE | D4 | I | Test pin for on chip parametrics. Can be left floating. |
| VSSCLK | A8, A11, B8, B11, B12, F8, F9, F10, J8, J9, J10 | - | Clock ground. |

6 Specifications

6.1 Absolute Maximum Ratings

over operating free-air temperature range (unless otherwise noted)⁽¹⁾

| | | MIN | MAX | UNIT |
|--|---|------|-------------------|------|
| Supply Voltage Range ⁽²⁾ | VDDDAC1, VDDDIG1, VDDL1_1, VDDL2_1, VDDCLK1, VDDT1, VDDCLK1, VDDTX1, VDDE1 | -0.3 | 1.3 | V |
| | VDDR18, VDDIO18, VDDS18, VDDAPLL18, VDDOUT18, VDDA18, VDDAVCO18, VDDTX18 | -0.3 | 2.45 | V |
| | VEE18N | -2 | 0.3 | V |
| Voltage between AGND and DGND | | -0.3 | 0.3 | V |
| Pin Voltage Range ⁽²⁾ | RX[0..7]+/- | -0.5 | VDDDIG1 + 0.5 V | V |
| | SDEN, SCLK, SDIO, SDO, TXENABLE, ALARM, RESET, SLEEP, TMS, TCLK, TDI, TDO, TRST, TESTMODE, GPIO, GPI1, GPO0, GPO1 | -0.5 | VDDIO + 0.5 V | V |
| | CLKOUT+/- | -0.5 | VDDTX18 + 0.5 V | V |
| | DACCLK+/-, SYSREF+/-, DACCLKSE | -0.5 | VDDCLK1 + 0.5 V | V |
| | SYNC0+/-, SYNC1+/- | -0.5 | VDDS18 + 0.5 V | V |
| | VOOUT1+/-, VOOUT2+/- | -0.5 | VDDAOUT18 + 0.5 V | V |
| | RBIAS, EXTIO, ATEST | -0.5 | VDDAOUT18 + 0.5 V | V |
| | IFORCE, VSENSE | -0.5 | VDDDIG1 + 0.5 V | V |
| AMUX1, AMUX0 | | -0.5 | VDDT1 + 0.5 V | V |
| Peak input current (any input) | | | 20 | mA |
| Peak total input current (all inputs) | | -30 | | mA |
| Junction temperature T _J | | | 150 | °C |
| Operating free-air temperature, T _A | | -40 | 85 | °C |
| Storage temperature, T _{stg} | | -65 | 150 | °C |

- (1) Stresses beyond those listed under *Absolute Maximum Ratings* may cause permanent damage to the device. These are stress ratings only, which do not imply functional operation of the device at these or any other conditions beyond those indicated under *Recommended Operating Conditions*. Exposure to absolute-maximum-rated conditions for extended periods may affect device reliability.
- (2) Measured with respect to AGND or DGND.

6.2 ESD Ratings

| | | VALUE | UNIT |
|--|--|-------|------|
| V _(ESD) Electrostatic discharge | Human-body model (HBM), per ANSI/ESDA/JEDEC JS-001 ⁽¹⁾ | ±1000 | V |
| | Charged-device model (CDM), per JEDEC specification JESD22-C101 ⁽²⁾ | ±250 | |

- (1) JEDEC document JEP155 states that 500-V HBM allows safe manufacturing with a standard ESD control process.
- (2) JEDEC document JEP157 states that 250-V CDM allows safe manufacturing with a standard ESD control process.

6.3 Recommended Operating Conditions

over operating free-air temperature range (unless otherwise noted)

| | | MIN | NOM | MAX | UNIT |
|----------------|---|-----|-----|-----|------|
| T _J | Recommended operating temperature | | | 105 | °C |
| | Maximum rated operating junction temperature ⁽¹⁾ | 125 | | | °C |
| T _A | Recommended free-air temperature | -40 | | 85 | °C |

6.3 Recommended Operating Conditions (続き)

over operating free-air temperature range (unless otherwise noted)

| | | MIN | NOM | MAX | UNIT |
|----------------------|---|-------|------|-------|------|
| Supply Voltage Range | VDDA18, VDDAPLL18, VDDS18, VDDIO18, VDDR18, VDDAPLL18, VDDOUT18, VDDAVCO18 | 1.71 | 1.8 | 1.89 | V |
| | VDDDIG1 VDDA1, VDDT1, VDDAPLL1, VDDCLK1, VDDL1_1, VDDL2_1, VDDTX1, VDDE1 | 0.95 | 1 | 1.05 | V |
| | VEE18N | -1.89 | -1.8 | -1.71 | V |

(1) Prolonged use at this junction temperature may increase the device failure-in-time (FIT) rate

6.4 Thermal Information

| THERMAL METRIC ⁽¹⁾ | | AAV (FCBGA) | UNIT |
|-------------------------------|--|-------------|------|
| | | 144 PINS | |
| R _{θJA} | Junction-to-ambient thermal resistance | 25 | °C/W |
| R _{θJC(top)} | Junction-to-case (top) thermal resistance | 1.0 | °C/W |
| R _{θJB} | Junction-to-board thermal resistance | 7.7 | °C/W |
| Ψ _{JT} | Junction-to-top characterization parameter | 0.1 | °C/W |
| Ψ _{JB} | Junction-to-board characterization parameter | 7.7 | °C/W |
| R _{θJC(bot)} | Junction-to-case (bottom) thermal resistance | N/A | °C/W |

(1) For more information about traditional and new thermal metrics, see the [Semiconductor and IC Package Thermal Metrics](#) application report.

6.5 Electrical Characteristics - DC Specifications

Typical values at T_A = 25°C, full temperature range is T_{MIN} = -40°C to T_{MAX} = 85°C, nominal supplies, unless otherwise noted.

| PARAMETER | TEST CONDITIONS | MIN | TYP | MAX | UNIT |
|---|--|-----|------|------|--------|
| DC ACCURACY | | | | | |
| Resolution | | 14 | | | bits |
| DNL Differential nonlinearity | (DAC38RF83/93/85) only | | ±3 | | LSB |
| INL Integral nonlinearity | (DAC38RF83/93/85) only | | ±4 | | LSB |
| ANALOG OUTPUT | | | | | |
| Gain Error | (DAC38RF83/93/85) only | | ±2 | | %FSR |
| Full scale output signal current | | 10 | 30 | 40 | mA |
| P _(OUTFS) Full scale output power | 2:1 transformer coupled into 50 Ω- load. Transformer (TCM2-452X-2+) loss not de-embedded 2.1 GHz output frequency (DAC38RF83/93/85) only | | 3 | | dBm |
| P _(OUTFS) Full scale output power | 50-Ω load 2.1 GHz output frequency (DAC38RF80/90/84) only | | 0 | | dBm |
| Output Compliance Range | | 1.3 | | 2.3 | V |
| Output capacitance | Single ended to ground. (DAC38RF83/93/85) only | | 1.5 | | pF |
| Output resistance | Measured differentially (DAC38RF83/93/85) only | | 100 | | Ω |
| REFERENCE OUTPUT: EXTIO | | | | | |
| V _{REF} Reference output voltage | | | 0.9 | | V |
| Reference output current | | | 100 | | nA |
| Reference voltage drift | | | ±8 | | ppm/°C |
| POWER SUPPLY CURRENT AND CONSUMPTION | | | | | |
| 1 V Digital supplies: VDDDIG1 | MODE 1: 2 TX, 1IQ/slice, LMFS = 8411, PLL on, 12x Interpolation, f _{INPUT} = 737.28 MSPS, f _{DAC} = 8847.36 MSPS, NCO's = 2.14 GHz, CLKTX Disabled | | 1478 | 2290 | mA |
| 1 V Analog supplies: VDDA1 VDDACLK1 VDDTX1 VDDAPLL1 VDDT1 VDDE1 | | | 1510 | 1758 | mA |
| 1.8 V Supplies: VDDA18 VDDOUT18 VDDAVCO18 VDDAPLL18 VDDR18 VDDIO18 VDDS18 VDDTX18 | | | 281 | 290 | mA |
| -1.8 V Supply: VEE18N | | | 159 | 180 | mA |
| P _{DIS} Power Dissipation | | | 3779 | 4894 | mW |

6.5 Electrical Characteristics - DC Specifications (続き)

Typical values at $T_A = 25^\circ\text{C}$, full temperature range is $T_{\text{MIN}} = -40^\circ\text{C}$ to $T_{\text{MAX}} = 85^\circ\text{C}$, nominal supplies, unless otherwise noted.

| PARAMETER | TEST CONDITIONS | MIN | TYP | MAX | UNIT | |
|---|---|-----|------|------|------|----|
| 1 V Digital supplies: VDDDIG1 | MODE 2: 1 TX, 1IQ/slice, LMFS = 4211, PLL on, 12x Interpolation, $f_{\text{INPUT}} = 737.28$ MSPS, $f_{\text{DAC}} = 8847.36$ MSPS, NCO = 2.14 GHz, CLKTX Disabled | | 1110 | | mA | |
| 1 V Analog supplies: VDDA1 VDDACLK1 VDDTX1 VDDAPLL1 VDDT1 VDDE1 | | | 1303 | | mA | |
| 1.8 V Supplies: VDDA18 VDDOUT18 VDDAVCO18 VDDAPLL18 VDDR18 VDDIO18 VDDS18 VDDTX18 | | | | 257 | | mA |
| -1.8 V Supply: VEE18N | | | | 159 | | mA |
| P_{DIS} Power Dissipation | | | | 3162 | | mW |
| 1V Digital supplies: VDDDIG1 | MODE 3: 2 TX, 2 IQ/slice, LMFS = 8821, PLL on, 24x Interpolation, $f_{\text{INPUT}} = 368.64$ MSPS, $f_{\text{DAC}} = 8847.36$ MSPS, NCO1 = 1.84 GHz, NCO2 = 2.15 GHz, CLKTX Disabled | | 2253 | | mA | |
| 1 V Analog supplies: VDDA1 VDDACLK1 VDDTX1 VDDAPLL1 VDDT1 VDDE1 | | | 1522 | | mA | |
| 1.8 V Supplies: VDDA18 VDDOUT18 VDDAVCO18 VDDAPLL18 VDDR18 VDDIO18 VDDS18 VDDTX18 | | | | 280 | | mA |
| -1.8 V Supply: VEE18N | | | | 159 | | mA |
| P_{DIS} Power Dissipation | | | | 4565 | | mW |
| 1 V Digital supplies: VDDDIG1 | MODE 4: 1 TX, 2 IQ/slice, LMFS = 4421, PLL on, 24x Interpolation, $f_{\text{INPUT}} = 368.64$ MSPS, $f_{\text{DAC}} = 8847.36$ MSPS, NCO1 = 1.84 GHz, NCO2 = 2.15 GHz, CLKTX Disabled | | 1701 | | mA | |
| 1 V Analog supplies: VDDA1 VDDACLK1 VDDTX1 VDDAPLL1 VDDT1 VDDE1 | | | 1314 | | mA | |
| 1.8 V Supplies: VDDA18 VDDOUT18 VDDAVCO18 VDDAPLL18 VDDR18 VDDIO18 VDDS18 VDDTX18 | | | | 256 | | mA |
| -1.8 V Supply: VEE18N | | | | 159 | | mA |
| P_{DIS} Power Dissipation | | | | 3763 | | mW |
| 1 V Digital supplies: VDDDIG1 | MODE 5: 2 TX, 1 IQ/slice, LMFS = 4421, PLL on, 18x Interpolation, $f_{\text{INPUT}} = 491.52$ MSPS, $f_{\text{DAC}} = 8847.36$ MSPS, NCO1 = 2.14 GHz, CLKTX Disabled | | 1328 | | mA | |
| 1 V Analog supplies: VDDA1 VDDACLK1 VDDTX1 VDDAPLL1 VDDT1 VDDE1 | | | 1312 | | mA | |
| 1.8 V Supplies: VDDA18 VDDOUT18 VDDAVCO18 VDDAPLL18 VDDR18 VDDIO18 VDDS18 VDDTX18 | | | | 249 | | mA |
| -1.8 V Supply: VEE18N | | | | 159 | | mA |
| P_{DIS} Power Dissipation | | | | 3374 | | mW |
| 1 V Digital supplies: VDDDIG1 | MODE 6: 1 TX, 1 IQ/slice, LMFS = 2221, PLL on, 18x Interpolation, $f_{\text{INPUT}} = 491.52$ MSPS, $f_{\text{DAC}} = 8847.36$ MSPS, NCO1 = 2.14 GHz, CLKTX Disabled | | 1027 | | mA | |
| 1 V Analog supplies: VDDA1 VDDACLK1 VDDTX1 VDDAPLL1 VDDT1 VDDE1 | | | 1206 | | mA | |
| 1.8 V Supplies: VDDA18 VDDOUT18 VDDAVCO18 VDDAPLL18 VDDR18 VDDIO18 VDDS18 VDDTX18 | | | | 248 | | mA |
| -1.8 V Supply: VEE18N | | | | 159 | | mA |
| P_{DIS} Power Dissipation | | | | 2964 | | mW |
| 1 V Digital supplies: VDDDIG1 | MODE 7: 2 TX, 1 IQ/slice, LMFS = 8411, PLL on, 6x Interpolation, $f_{\text{INPUT}} = 983.04$ MSPS, $f_{\text{DAC}} = 5898.24$ MSPS, NCO1 = 2.14 GHz, CLKTX Disabled | | 1157 | | mA | |
| 1 V Analog supplies: VDDA1 VDDACLK1 VDDTX1 VDDAPLL1 VDDT1 VDDE1 | | | 1125 | | mA | |
| 1.8 V Supplies: VDDA18 VDDOUT18 VDDAVCO18 VDDAPLL18 VDDR18 VDDIO18 VDDS18 VDDTX18 | | | | 246 | | mA |
| -1.8 V Supply: VEE18N | | | | 159 | | mA |
| P_{DIS} Power Dissipation | | | | 3011 | | mW |

6.5 Electrical Characteristics - DC Specifications (続き)

Typical values at $T_A = 25^\circ\text{C}$, full temperature range is $T_{\text{MIN}} = -40^\circ\text{C}$ to $T_{\text{MAX}} = 85^\circ\text{C}$, nominal supplies, unless otherwise noted.

| PARAMETER | TEST CONDITIONS | MIN | TYP | MAX | UNIT | |
|---|---|-----|------|------|------|----|
| 1 V Digital supplies: VDDDIG1 | MODE 8: 1 TX, 1 IQ/slice, LMFS = 4211, PLL on, 6x Interpolation, $f_{\text{INPUT}} = 983.04$ MSPS, $f_{\text{DAC}} = 5898.24$ MSPS, NCO1 = 2.14 GHz, CLKTX Disabled | | 848 | | mA | |
| 1 V Analog supplies: VDDA1 VDDACLK1 VDDTX1 VDDAPLL1 VDDT1 VDDE1 | | | 647 | | mA | |
| 1.8 V Supplies: VDDA18 VDDOUT18 VDDAVCO18 VDDAPLL18 VDDR18 VDDIO18 VDDS18 VDDTX18 | | | | 230 | | mA |
| -1.8 V Supply: VEE18N | | | | 159 | | mA |
| P_{DIS} Power Dissipation | | | | 2195 | | mW |
| 1 V Digital supplies: VDDDIG1 | MODE 9: 2 TX, 2 IQ/slice, LMFS = 4831, PLL on, 24x Interpolation, $f_{\text{INPUT}} = 368.64$ MSPS, $f_{\text{DAC}} = 8847.36$ MSPS, NCO1 = 2.14 GHz, CLKTX Disabled | | 2131 | | mA | |
| 1 V Analog supplies: VDDA1 VDDACLK1 VDDTX1 VDDAPLL1 VDDT1 VDDE1 | | | 1324 | | mA | |
| 1.8 V Supplies: VDDA18 VDDOUT18 VDDAVCO18 VDDAPLL18 VDDR18 VDDIO18 VDDS18 VDDTX18 | | | | 251 | | mA |
| -1.8 V Supply: VEE18N | | | | 159 | | mA |
| P_{DIS} Power Dissipation | | | | 4192 | | mW |
| 1 V Digital supplies: VDDDIG1 | MODE 10: 1 TX, 2 IQ/slice, LMFS = 2431, PLL on, 24x Interpolation, $f_{\text{INPUT}} = 368.64$ MSPS, $f_{\text{DAC}} = 8847.36$ MSPS, NCO1 = 2.14 GHz, CLKTX Disabled | | 1635 | | mA | |
| 1 V Analog supplies: VDDA1 VDDACLK1 VDDTX1 VDDAPLL1 VDDT1 VDDE1 | | | 1212 | | mA | |
| 1.8 V Supplies: VDDA18 VDDOUT18 VDDAVCO18 VDDAPLL18 VDDR18 VDDIO18 VDDS18 VDDTX18 | | | | 250 | | mA |
| -1.8 V Supply: VEE18N | | | | 159 | | mA |
| P_{DIS} Power Dissipation | | | | 3583 | | mW |
| 1 V Digital supplies: VDDDIG1 | MODE 11: Power down mode, no clock, DACs in sleep, SerDes in sleep | | 63 | 568 | mA | |
| 1 V Analog supplies: VDDA1 VDDACLK1 VDDTX1 VDDAPLL1 VDDT1 VDDE1 | | | 18 | 105 | mA | |
| 1.8 V Supplies: VDDA18 VDDOUT18 VDDAVCO18 VDDAPLL18 VDDR18 VDDIO18 VDDS18 VDDTX18 | | | | 47 | 51 | mA |
| -1.8 V Supply: VEE18N | | | | 23 | 28 | mA |
| P_{DIS} Power Dissipation | | | | 208 | 815 | mW |
| VDDTX1 | $f_{\text{DAC}} = 8847$ MSPS, Clock Out Divider Enabled | | 25 | | mA | |
| | $f_{\text{DAC}} = 5898$ MSPS, Clock Out Divider Enabled | | 19 | | mA | |
| VDDTX18 | Clock Out Enabled | | 16 | | mA | |

6.6 Electrical Characteristics - Digital Specifications

Typical values at $T_A = 25^\circ\text{C}$, full temperature range is $T_{\text{MIN}} = -40^\circ\text{C}$ to $T_{\text{MAX}} = 85^\circ\text{C}$, nominal supplies, unless otherwise noted.

| PARAMETER | TEST CONDITIONS | MIN | TYP | MAX | UNIT |
|--|---|--------------------------------------|-------------|------|-------------------|
| CML SerDes Inputs: RX[7:0]+/- | | | | | |
| V_{DIFF} | Receiver input amplitude | 50 | | 1200 | mV |
| V_{COM} | Input common mode voltage | TERM = 111 | 600 | | mV |
| | | TERM = 001 | 700 | | |
| | | TERM = 100 | 0 | | |
| | | TERM = 101 | 250 | | |
| Z_{DDIFF} | Internal differential termination | 85 | 100 | 115 | Ω |
| f_{SerDes} | SerDes bit rate | 0.78125 | | 12.5 | Gbps |
| Differential Clock Inputs: SYSREF+/-, DACCLK+/- | | | | | |
| f_{DACCLK} | DACCLK input frequency | 0.1 | | 9 | GHz |
| V_{COM} | Differential input common mode voltage | | 0.5 | | V |
| $V_{\text{I(DPP)}}$ | Differential input peak-to-peak voltage | | 800 | 2000 | mV |
| Z_T | Internal termination | | 100 | | Ω |
| C_L | Input capacitance | | 2 | | pF |
| | Duty cycle (DACCLK only) | 40% | | 60% | |
| LVDS Output: SYNC0+/-, SYNC1+/- | | | | | |
| V_{COM} | Output common mode voltage | | 1.2 | | V |
| Z_T | Internal termination | | 100 | | Ω |
| V_{OD} | Differential output voltage swing | | 500 | | mV |
| CML Output: CLKTX+/- | | | | | |
| V_{OD} | CML OUTPUT: CLKTX+/- | | 1300 | | mV |
| CMOS Interface: SDEN, SCLK, SDIO, SDO, TXENABLE, ALARM, RESET, SLEEP, TMS, TCLK, TDI, TDO, TRST, TESTMODE, SYNCSE1, SYNCSE2 | | | | | |
| V_{IH} | High-level input voltage | 0.7 x VDDIO | | | V |
| V_{IL} | Low-level input voltage | | 0.3 x VDDIO | | V |
| I_{IH} | High-level input current | -40 | | 40 | μA |
| I_{IL} | Low-level input current | -40 | | 40 | μA |
| C_i | CMOS input capacitance | | 2 | | pF |
| V_{OH} | High-level output voltage | $I_{\text{LOAD}} = -100 \mu\text{A}$ | VDDIO - 0.2 | | V |
| | | $I_{\text{LOAD}} = -2 \text{ mA}$ | 0.8 x VDDIO | | |
| V_{OL} | Low-level output voltage | $I_{\text{LOAD}} = 100 \mu\text{A}$ | | 0.2 | V |
| | | $I_{\text{LOAD}} = 2 \text{ mA}$ | | 0.5 | |
| Latency | | | | | |
| RX SerDes Digital Delay | full rate, RATE = "00" | | 34 | | UI |
| | half rate, RATE = "01" | | 29 | | |
| | quarter rate, RATE = "10" | | 26.5 | | |
| | eighth rate, RATE = "11" | | 26.25 | | |
| SerDes output to JED204B elastic buffer input latency | | | 21 - 39 | | JESD clock cycles |

6.6 Electrical Characteristics - Digital Specifications (続き)

Typical values at $T_A = 25^\circ\text{C}$, full temperature range is $T_{\text{MIN}} = -40^\circ\text{C}$ to $T_{\text{MAX}} = 85^\circ\text{C}$, nominal supplies, unless otherwise noted.

| PARAMETER | TEST CONDITIONS | MIN | TYP | MAX | UNIT |
|--|--|------|------|-----|------------------|
| Digital Latency: JESD Buffer to DAC Output | LMFSHD = 82121, 6x Interpolation | | 856 | | DAC clock cycles |
| | LMFSHD = 82121, 8x Interpolation | | 1120 | | |
| | LMFSHD = 82121, 12x Interpolation | | 1602 | | |
| | LMFSHD = 82121, 16x Interpolation | | 2091 | | |
| | LMFSHD = 42111 or 84111, 6x Interpolation | | 817 | | |
| | LMFSHD = 42111 or 84111, 8x Interpolation | | 1057 | | |
| | LMFSHD = 42111 or 84111, 10x Interpolation | | 1184 | | |
| | LMFSHD = 42111 or 84111, 12x Interpolation | | 1532 | | |
| | LMFSHD = 42111 or 84111, 16x Interpolation | | 1997 | | |
| | LMFSHD = 42111 or 84111, 18x Interpolation | | 2142 | | |
| | LMFSHD = 42111 or 84111, 24x Interpolation | | 2941 | | |
| | LMFSHD = 22210 or 44210, 8x Interpolation | | 1020 | | |
| | LMFSHD = 22210 or 44210, 12x Interpolation | | 1473 | | |
| | LMFSHD = 22210 or 44210, 16x Interpolation | | 1917 | | |
| | LMFSHD = 22210 or 44210, 18x Interpolation | | 2050 | | |
| | LMFSHD = 22210 or 44210, 20x Interpolation | | 2275 | | |
| | LMFSHD = 22210 or 44210, 24x Interpolation | | 2821 | | |
| | LMFSHD = 12410 or 24410, 16x Interpolation | | 1912 | | |
| | LMFSHD = 12410 or 24410, 24x Interpolation | | 2786 | | |
| | LMFSHD = 44210 or 88210, 8x Interpolation | | 916 | | |
| | LMFSHD = 44210 or 88210, 12x Interpolation | | 1317 | | |
| | LMFSHD = 44210 or 88210, 16x Interpolation | | 1709 | | |
| | LMFSHD = 44210 or 88210, 24x Interpolation | | 2509 | | |
| LMFSHD = 24410 or 48410, 16x Interpolation | | 1672 | | | |
| LMFSHD = 24410 or 48410, 24x Interpolation | | 1593 | | | |

6.6 Electrical Characteristics - Digital Specifications (続き)

Typical values at $T_A = 25^\circ\text{C}$, full temperature range is $T_{\text{MIN}} = -40^\circ\text{C}$ to $T_{\text{MAX}} = 85^\circ\text{C}$, nominal supplies, unless otherwise noted.

| PARAMETER | TEST CONDITIONS | MIN | TYP | MAX | UNIT |
|--|--|-----|-----|-----|-------------------------|
| SYSREF TO JESD LMFC RESET | LMFSHD = 82121, 6x Interpolation | | 5 | | JESD clock cycles |
| | LMFSHD = 82121, 8x Interpolation | | 5 | | |
| | LMFSHD = 82121, 12x Interpolation | | 5 | | |
| | LMFSHD = 82121, 16x Interpolation | | 5 | | |
| | LMFSHD = 42111 or 84111, 6x Interpolation | | 16 | | |
| | LMFSHD = 42111 or 84111, 8x Interpolation | | 16 | | |
| | LMFSHD = 42111 or 84111, 10x Interpolation | | 15 | | |
| | LMFSHD = 42111 or 84111, 12x Interpolation | | 15 | | |
| | LMFSHD = 42111 or 84111, 16x Interpolation | | 13 | | |
| | LMFSHD = 42111 or 84111, 18x Interpolation | | 15 | | |
| | LMFSHD = 42111 or 84111, 24x Interpolation | | 15 | | |
| | LMFSHD = 22210 or 44210, 8x Interpolation | | 8 | | |
| | LMFSHD = 22210 or 44210, 12x Interpolation | | 7 | | |
| | LMFSHD = 22210 or 44210, 16x Interpolation | | 6 | | |
| | LMFSHD = 22210 or 44210, 18x Interpolation | | 7 | | |
| | LMFSHD = 22210 or 44210, 20x Interpolation | | 5 | | |
| | LMFSHD = 22210 or 44210, 24x Interpolation | | 4 | | |
| | LMFSHD = 12410 or 24410, 16x Interpolation | | 9 | | |
| | LMFSHD = 12410 or 24410, 24x Interpolation | | 7 | | |
| | LMFSHD = 44210 or 88210, 8x Interpolation | | 29 | | |
| | LMFSHD = 44210 or 88210, 12x Interpolation | | 27 | | |
| | LMFSHD = 44210 or 88210, 16x Interpolation | | 26 | | |
| | LMFSHD = 44210 or 88210, 24x Interpolation | | 25 | | |
| | LMFSHD = 24410 or 48410, 16x Interpolation | | 8 | | |
| LMFSHD = 24410 or 48410, 24x Interpolation | | 6 | | | |

6.7 Electrical Characteristics - AC Specifications

Typical values at $T_A = 25^\circ\text{C}$, full temperature range is $T_{\text{MIN}} = -40^\circ\text{C}$ to $T_{\text{MAX}} = 85^\circ\text{C}$, external differential clock mode at 9 GSPS, 12x Interpolation, 0 dBFS, $f_{\text{OUT}} = 2.14\text{ GHz}$, $I_{(\text{OUTFS})} = 40\text{ mA}$, nominal supplies, LMFSHd = 84111, unless otherwise noted.

| PARAMETER | | TEST CONDITIONS | DAC38RF83/93/85 | | | DAC38RF80/90/84 | | | UNIT |
|----------------------------|--|---|-----------------|-----|-----|-----------------|-----|-----|------|
| | | | MIN | TYP | MAX | MIN | TYP | MAX | |
| Analog Output | | | | | | | | | |
| f_{DAC} | Maximum DAC sample rate | | 9 | | | 9 | | | GSPS |
| AC Performance - CW | | | | | | | | | |
| SFDR | Spurious Free Dynamic Range $0 - f_{\text{DAC}}/2$ | $f_{\text{CLK}} = 6\text{ GHz}, f_{\text{OUT}} = 501\text{ MHz}$ | 63 | | | 70 | | | dBc |
| | | $f_{\text{CLK}} = 6\text{ GHz}, f_{\text{OUT}} = 951\text{ MHz}$ | 62 | | | 67 | | | |
| | | $f_{\text{CLK}} = 6\text{ GHz}, f_{\text{OUT}} = 1851\text{ MHz}$ | 58 | | | 59 | | | |
| | | $f_{\text{CLK}} = 6\text{ GHz}, f_{\text{OUT}} = 2651\text{ MHz}$ | 57 | | | 57 | | | |
| | | $f_{\text{CLK}} = 9\text{ GHz}, f_{\text{OUT}} = 501\text{ MHz}$ | 62 | | | 64 | | | |
| | | $f_{\text{CLK}} = 9\text{ GHz}, f_{\text{OUT}} = 951\text{ MHz}$ | 61 | | | 65 | | | |
| | | $f_{\text{CLK}} = 9\text{ GHz}, f_{\text{OUT}} = 1851\text{ MHz}$ | 61 | | | 62 | | | |
| | | $f_{\text{CLK}} = 9\text{ GHz}, f_{\text{OUT}} = 2651\text{ MHz}$ | 54 | | | 50 | | | |
| SFDR | Spurious Free Dynamic Range within 500 MHz $f_{\text{OUT}} \pm 250$ MHz | $f_{\text{CLK}} = 6\text{ GHz}, f_{\text{OUT}} = 501\text{ MHz}$ | 97 | | | 94 | | | dBc |
| | | $f_{\text{CLK}} = 6\text{ GHz}, f_{\text{OUT}} = 951\text{ MHz}$ | 93 | | | 88 | | | |
| | | $f_{\text{CLK}} = 6\text{ GHz}, f_{\text{OUT}} = 1851\text{ MHz}$ | 88 | | | 87 | | | |
| | | $f_{\text{CLK}} = 6\text{ GHz}, f_{\text{OUT}} = 2651\text{ MHz}$ | 77 | | | 78 | | | |
| | | $f_{\text{CLK}} = 9\text{ GHz}, f_{\text{OUT}} = 501\text{ MHz}$ | 94 | | | 92 | | | |
| | | $f_{\text{CLK}} = 9\text{ GHz}, f_{\text{OUT}} = 951\text{ MHz}$ | 90 | | | 88 | | | |
| | | $f_{\text{CLK}} = 9\text{ GHz}, f_{\text{OUT}} = 1851\text{ MHz}$ | 85 | | | 85 | | | |
| | | $f_{\text{CLK}} = 9\text{ GHz}, f_{\text{OUT}} = 2651\text{ MHz}$ | 82 | | | 82 | | | |
| SFDR | Spurious Free Dynamic Range excluding HD2, HD3 and CMP2 $0 - f_{\text{DAC}}/2$ | $f_{\text{CLK}} = 6\text{ GHz}, f_{\text{OUT}} = 501\text{ MHz}$ | 72 | | | 72 | | | dBc |
| | | $f_{\text{CLK}} = 6\text{ GHz}, f_{\text{OUT}} = 951\text{ MHz}$ | 71 | | | 75 | | | |
| | | $f_{\text{CLK}} = 6\text{ GHz}, f_{\text{OUT}} = 1851\text{ MHz}$ | 74 | | | 75 | | | |
| | | $f_{\text{CLK}} = 6\text{ GHz}, f_{\text{OUT}} = 2651\text{ MHz}$ | 71 | | | 71 | | | |
| | | $f_{\text{CLK}} = 9\text{ GHz}, f_{\text{OUT}} = 501\text{ MHz}$ | 69 | | | 64 | | | |
| | | $f_{\text{CLK}} = 9\text{ GHz}, f_{\text{OUT}} = 951\text{ MHz}$ | 69 | | | 66 | | | |
| | | $f_{\text{CLK}} = 9\text{ GHz}, f_{\text{OUT}} = 1851\text{ MHz}$ | 72 | | | 65 | | | |
| | | $f_{\text{CLK}} = 9\text{ GHz}, f_{\text{OUT}} = 2651\text{ MHz}$ | 71 | | | 64 | | | |
| HD2 | 2nd Order Harmonic | $f_{\text{CLK}} = 6\text{ GHz}, f_{\text{OUT}} = 501\text{ MHz}$ | 72 | | | 71 | | | dBc |
| | | $f_{\text{CLK}} = 6\text{ GHz}, f_{\text{OUT}} = 951\text{ MHz}$ | 65 | | | 68 | | | |
| | | $f_{\text{CLK}} = 6\text{ GHz}, f_{\text{OUT}} = 1851\text{ MHz}$ | 57 | | | 59 | | | |
| | | $f_{\text{CLK}} = 6\text{ GHz}, f_{\text{OUT}} = 2651\text{ MHz}$ | 57 | | | 57 | | | |
| | | $f_{\text{CLK}} = 9\text{ GHz}, f_{\text{OUT}} = 501\text{ MHz}$ | 71 | | | 71 | | | |
| | | $f_{\text{CLK}} = 9\text{ GHz}, f_{\text{OUT}} = 951\text{ MHz}$ | 65 | | | 67 | | | |
| | | $f_{\text{CLK}} = 9\text{ GHz}, f_{\text{OUT}} = 1851\text{ MHz}$ | 62 | | | 62 | | | |
| | | $f_{\text{CLK}} = 9\text{ GHz}, f_{\text{OUT}} = 2651\text{ MHz}$ | 54 | | | 49 | | | |
| | | $f_{\text{CLK}} = 9\text{ GHz}, f_{\text{OUT}} = 3651\text{ MHz}$ | 51 | | | 51 | | | |

6.7 Electrical Characteristics - AC Specifications (続き)

Typical values at $T_A = 25^\circ\text{C}$, full temperature range is $T_{\text{MIN}} = -40^\circ\text{C}$ to $T_{\text{MAX}} = 85^\circ\text{C}$, external differential clock mode at 9 GSPPS, 12X Interpolation, 0 dBFS, $f_{\text{OUT}} = 2.14\text{ GHz}$, $I_{\text{OUTFS}} = 40\text{ mA}$, nominal supplies, LMFSHd = 84111, unless otherwise noted.

| PARAMETER | TEST CONDITIONS | DAC38RF83/93/85 | | | DAC38RF80/90/84 | | | UNIT |
|--|--|-----------------|-----|-----|-----------------|-----|-----|------|
| | | MIN | TYP | MAX | MIN | TYP | MAX | |
| HD3 3rd Order Harmonic | $f_{\text{CLK}} = 6\text{ GHz}$, $f_{\text{OUT}} = 501\text{ MHz}$ | | 63 | | | 75 | | dBc |
| | $f_{\text{CLK}} = 6\text{ GHz}$, $f_{\text{OUT}} = 951\text{ MHz}$ | | 62 | | | 72 | | |
| | $f_{\text{CLK}} = 6\text{ GHz}$, $f_{\text{OUT}} = 1851\text{ MHz}$ | | 71 | | | 72 | | |
| | $f_{\text{CLK}} = 6\text{ GHz}$, $f_{\text{OUT}} = 2651\text{ MHz}$ | | 69 | | | 70 | | |
| | $f_{\text{CLK}} = 9\text{ GHz}$, $f_{\text{OUT}} = 501\text{ MHz}$ | | 62 | | | 74 | | |
| | $f_{\text{CLK}} = 9\text{ GHz}$, $f_{\text{OUT}} = 951\text{ MHz}$ | | 61 | | | 73 | | |
| | $f_{\text{CLK}} = 9\text{ GHz}$, $f_{\text{OUT}} = 1851\text{ MHz}$ | | 66 | | | 72 | | |
| | $f_{\text{CLK}} = 9\text{ GHz}$, $f_{\text{OUT}} = 2651\text{ MHz}$ | | 65 | | | 69 | | |
| | $f_{\text{CLK}} = 9\text{ GHz}$, $f_{\text{OUT}} = 3651\text{ MHz}$ | | 67 | | | 69 | | |
| CMP2 $F_s/2$ clock mixing product ($F_s/2 - f_{\text{OUT}}$) | $f_{\text{CLK}} = 6\text{ GHz}$, $f_{\text{OUT}} = 501\text{ MHz}$ | | 85 | | | 79 | | dBc |
| | $f_{\text{CLK}} = 6\text{ GHz}$, $f_{\text{OUT}} = 951\text{ MHz}$ | | 85 | | | 80 | | |
| | $f_{\text{CLK}} = 6\text{ GHz}$, $f_{\text{OUT}} = 1851\text{ MHz}$ | | 82 | | | 76 | | |
| | $f_{\text{CLK}} = 6\text{ GHz}$, $f_{\text{OUT}} = 2651\text{ MHz}$ | | 79 | | | 76 | | |
| | $f_{\text{CLK}} = 9\text{ GHz}$, $f_{\text{OUT}} = 501\text{ MHz}$ | | 78 | | | 70 | | |
| | $f_{\text{CLK}} = 9\text{ GHz}$, $f_{\text{OUT}} = 951\text{ MHz}$ | | 76 | | | 67 | | |
| | $f_{\text{CLK}} = 9\text{ GHz}$, $f_{\text{OUT}} = 1851\text{ MHz}$ | | 73 | | | 67 | | |
| | $f_{\text{CLK}} = 9\text{ GHz}$, $f_{\text{OUT}} = 2651\text{ MHz}$ | | 74 | | | 63 | | |
| | $f_{\text{CLK}} = 9\text{ GHz}$, $f_{\text{OUT}} = 3651\text{ MHz}$ | | 68 | | | 59 | | |
| CMP4+ F_s/N ($N = 4, 8, 16$) clock mixing product ($f_{\text{OUT}} \pm F_s/N$) | $f_{\text{CLK}} = 6\text{ GHz}$, $f_{\text{OUT}} = 501\text{ MHz}$ | | 92 | | | 90 | | dBc |
| | $f_{\text{CLK}} = 6\text{ GHz}$, $f_{\text{OUT}} = 951\text{ MHz}$ | | 87 | | | 87 | | |
| | $f_{\text{CLK}} = 6\text{ GHz}$, $f_{\text{OUT}} = 1851\text{ MHz}$ | | 81 | | | 83 | | |
| | $f_{\text{CLK}} = 6\text{ GHz}$, $f_{\text{OUT}} = 2651\text{ MHz}$ | | 78 | | | 76 | | |
| | $f_{\text{CLK}} = 9\text{ GHz}$, $f_{\text{OUT}} = 501\text{ MHz}$ | | 95 | | | 91 | | |
| | $f_{\text{CLK}} = 9\text{ GHz}$, $f_{\text{OUT}} = 951\text{ MHz}$ | | 89 | | | 88 | | |
| | $f_{\text{CLK}} = 9\text{ GHz}$, $f_{\text{OUT}} = 1851\text{ MHz}$ | | 84 | | | 85 | | |
| | $f_{\text{CLK}} = 9\text{ GHz}$, $f_{\text{OUT}} = 2651\text{ MHz}$ | | 79 | | | 81 | | |
| | $f_{\text{CLK}} = 9\text{ GHz}$, $f_{\text{OUT}} = 3651\text{ MHz}$ | | 74 | | | 74 | | |
| IMD3 Third-order two-tone intermodulation distortion | $f_{\text{CLK}} = 6\text{ GHz}$, $f_{\text{OUT}} = 501 \pm 5\text{ MHz}$, -6 dBFS each tone | | 80 | | | 83 | | dBc |
| | $f_{\text{CLK}} = 6\text{ GHz}$, $f_{\text{OUT}} = 951 \pm 5\text{ MHz}$, -6 dBFS each tone | | 76 | | | 79 | | |
| | $f_{\text{CLK}} = 6\text{ GHz}$, $f_{\text{OUT}} = 1851 \pm 5\text{ MHz}$, -6 dBFS each tone | | 73 | | | 76 | | |
| | $f_{\text{CLK}} = 6\text{ GHz}$, $f_{\text{OUT}} = 2651 \pm 5\text{ MHz}$, -6 dBFS each tone | | 72 | | | 75 | | |
| | $f_{\text{CLK}} = 9\text{ GHz}$, $f_{\text{OUT}} = 501 \pm 5\text{ MHz}$, -6 dBFS each tone | | 80 | | | 84 | | |
| | $f_{\text{CLK}} = 9\text{ GHz}$, $f_{\text{OUT}} = 951 \pm 5\text{ MHz}$, -6 dBFS each tone | | 75 | | | 80 | | |
| | $f_{\text{CLK}} = 9\text{ GHz}$, $f_{\text{OUT}} = 1851 \pm 5\text{ MHz}$, -6 dBFS each tone | | 70 | | | 74 | | |
| | $f_{\text{CLK}} = 9\text{ GHz}$, $f_{\text{OUT}} = 2651 \pm 5\text{ MHz}$, -6 dBFS each tone | | 70 | | | 73 | | |
| | $f_{\text{CLK}} = 9\text{ GHz}$, $f_{\text{OUT}} = 3651 \pm 5\text{ MHz}$, -6 dBFS each tone | | 68 | | | 71 | | |

6.7 Electrical Characteristics - AC Specifications (続き)

Typical values at $T_A = 25^\circ\text{C}$, full temperature range is $T_{\text{MIN}} = -40^\circ\text{C}$ to $T_{\text{MAX}} = 85^\circ\text{C}$, external differential clock mode at 9 GSPS, 12x Interpolation, 0 dBFS, $f_{\text{OUT}} = 2.14\text{ GHz}$, $I_{(\text{OUTFS})} = 40\text{ mA}$, nominal supplies, LMFSHd = 84111, unless otherwise noted.

| PARAMETER | TEST CONDITIONS | DAC38RF83/93/85 | | | DAC38RF80/90/84 | | | UNIT |
|--|--|-----------------|------|-----|-----------------|------|-----|---------|
| | | MIN | TYP | MAX | MIN | TYP | MAX | |
| NSD Noise Spectral Density > 50 MHz offset | $f_{\text{CLK}} = 6\text{ GHz}$, $f_{\text{OUT}} = 501\text{ MHz}$ | | -170 | | | -169 | | dBFS/Hz |
| | $f_{\text{CLK}} = 6\text{ GHz}$, $f_{\text{OUT}} = 951\text{ MHz}$ | | -163 | | | -163 | | |
| | $f_{\text{CLK}} = 6\text{ GHz}$, $f_{\text{OUT}} = 1851\text{ MHz}$ | | -157 | | | -155 | | |
| | $f_{\text{CLK}} = 6\text{ GHz}$, $f_{\text{OUT}} = 2651\text{ MHz}$ | | -155 | | | -154 | | |
| | $f_{\text{CLK}} = 9\text{ GHz}$, $f_{\text{OUT}} = 501\text{ MHz}$ | | -172 | | | -171 | | |
| | $f_{\text{CLK}} = 9\text{ GHz}$, $f_{\text{OUT}} = 951\text{ MHz}$ | | -166 | | | -167 | | |
| | $f_{\text{CLK}} = 9\text{ GHz}$, $f_{\text{OUT}} = 1851\text{ MHz}$ | | -157 | | | -156 | | |
| | $f_{\text{CLK}} = 9\text{ GHz}$, $f_{\text{OUT}} = 2651\text{ MHz}$ | | -156 | | | -155 | | |
| | $f_{\text{CLK}} = 9\text{ GHz}$, $f_{\text{OUT}} = 3651\text{ MHz}$ | | -153 | | | -153 | | |
| | $f_{\text{CLK}} = 6\text{ GHz}$, $f_{\text{OUT}} = 501\text{ MHz}$, -9 dBFS | | -170 | | | -169 | | |
| | $f_{\text{CLK}} = 6\text{ GHz}$, $f_{\text{OUT}} = 951\text{ MHz}$, -9 dBFS | | -164 | | | -163 | | |
| | $f_{\text{CLK}} = 6\text{ GHz}$, $f_{\text{OUT}} = 1851\text{ MHz}$, -9 dBFS | | -162 | | | -159 | | |
| | $f_{\text{CLK}} = 9\text{ GHz}$, $f_{\text{OUT}} = 2651\text{ MHz}$, -9 dBFS | | -162 | | | -162 | | |
| | $f_{\text{CLK}} = 9\text{ GHz}$, $f_{\text{OUT}} = 3651\text{ MHz}$, -9 dBFS | | -159 | | | -159 | | |
| Isolation Isolation between DAC A and DAC B analog output | $f_{\text{OUT}} = 1856\text{ MHz}$ | | 82 | | | 60 | | dBc |
| | $f_{\text{OUT}} = 3105\text{ MHz}$ | | 73 | | | 55 | | |
| AC Performance – Modulated Signals | | | | | | | | |
| ACPR WCDMA 1 carrier adjacent channel power ratio | $f_{\text{CLK}} = 5898.24\text{ MHz}$, $f_{\text{OUT}} = 950\text{ MHz}$ | | 76 | | | 78 | | dBc |
| | $f_{\text{CLK}} = 5898.24\text{ MHz}$, $f_{\text{OUT}} = 2140\text{ MHz}$ | | 75 | | | 73 | | |
| | $f_{\text{CLK}} = 8847.36\text{ MHz}$, $f_{\text{OUT}} = 950\text{ MHz}$ | | 76 | | | 77 | | |
| | $f_{\text{CLK}} = 8847.36\text{ MHz}$, $f_{\text{OUT}} = 2140\text{ MHz}$ | | 73 | | | 73 | | |
| Alt-ACLR WCDMA 1 carrier alternate channel ACPR | $f_{\text{CLK}} = 5898.24\text{ MHz}$, $f_{\text{OUT}} = 950\text{ MHz}$ | | 82 | | | 83 | | dBc |
| | $f_{\text{CLK}} = 5898.24\text{ MHz}$, $f_{\text{OUT}} = 2140\text{ MHz}$ | | 77 | | | 77 | | |
| | $f_{\text{CLK}} = 8847.36\text{ MHz}$, $f_{\text{OUT}} = 950\text{ MHz}$ | | 82 | | | 82 | | |
| | $f_{\text{CLK}} = 8847.36\text{ MHz}$, $f_{\text{OUT}} = 2140\text{ MHz}$ | | 77 | | | 78 | | |
| LTE20 20 MHz LTE adjacent channel power ratio | $f_{\text{CLK}} = 5898.24\text{ MHz}$, $f_{\text{OUT}} = 800\text{ MHz}$ | | 73 | | | 74 | | dBc |
| | $f_{\text{CLK}} = 5898.24\text{ MHz}$, $f_{\text{OUT}} = 2650\text{ MHz}$ | | 70 | | | 68 | | |
| | $f_{\text{CLK}} = 8847.36\text{ MHz}$, $f_{\text{OUT}} = 800\text{ MHz}$ | | 73 | | | 74 | | |
| | $f_{\text{CLK}} = 8847.36\text{ MHz}$, $f_{\text{OUT}} = 2650\text{ MHz}$ | | 69 | | | 68 | | |
| | $f_{\text{CLK}} = 8847.36\text{ MHz}$, $f_{\text{OUT}} = 3700\text{ MHz}$ | | 63 | | | 66 | | |

6.8 PLL/VCO Electrical Characteristics

Typical values at $T_A = 25^\circ\text{C}$, full temperature range is $T_{\text{MIN}} = -40^\circ\text{C}$ to $T_{\text{MAX}} = 85^\circ\text{C}$, internal PLL/VCO clock mode, 12x Interpolation, 0 dBFS, $f_{\text{OUT}} = 1.8\text{ GHz}$, $I_{(\text{OUTFS})} = 40\text{ mA}$, nominal supplies, LMFSHd = 84111, unless otherwise noted.

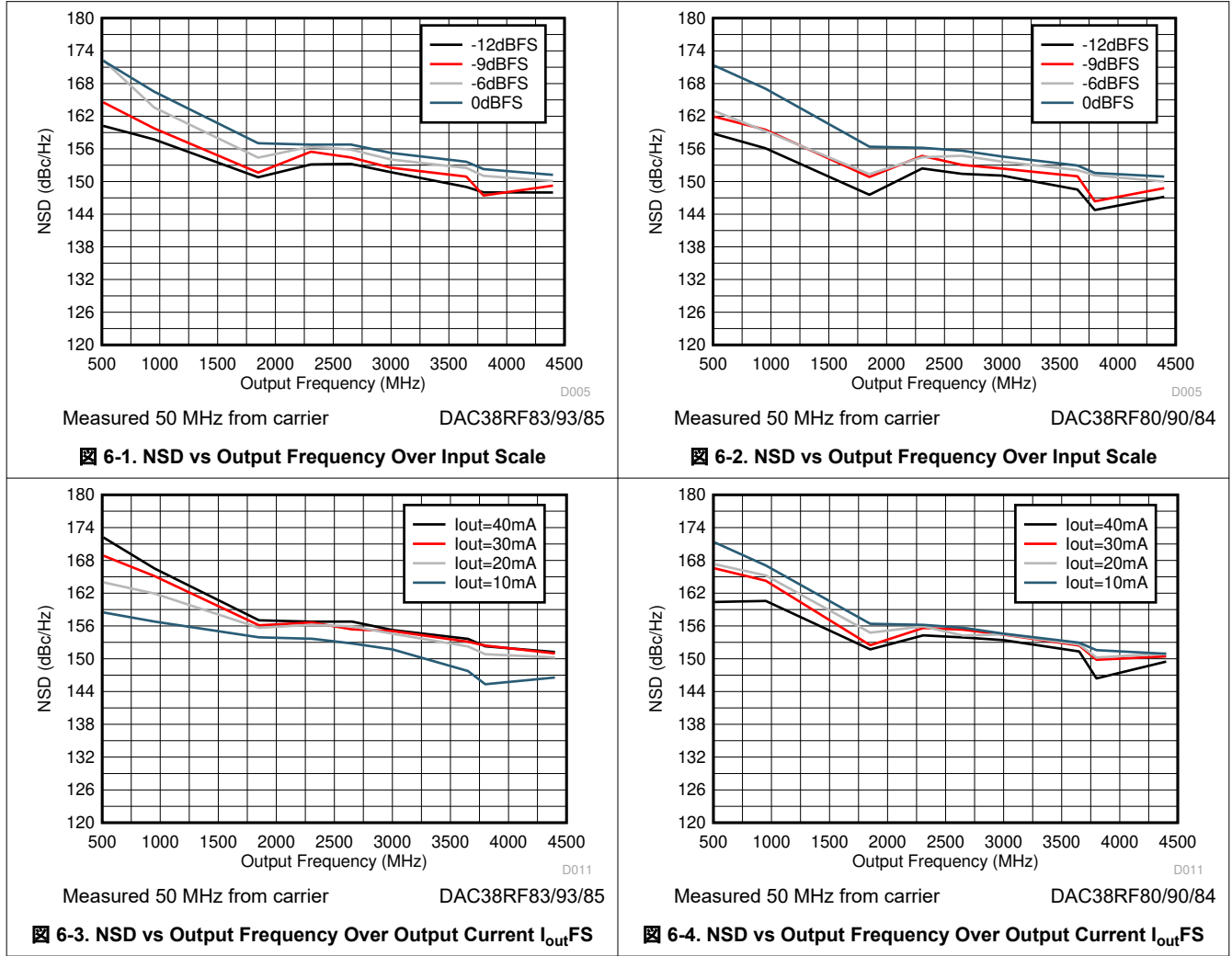
| PARAMETER | | TEST CONDITIONS | MIN | TYP | MAX | UNIT |
|-----------------------------|---|---|------|----------------------|-----|--------|
| PLL/VCO | | | | | | |
| f_{ref} | Reference clock frequency | | 100 | $f_{\text{VCO}} / 4$ | | MHz |
| f_{PFD} | Frequency of phase & frequency detector | | 100 | 500 | | MHz |
| $f_{\text{VCO}L}$ | Low VCO operating frequency | | 5240 | 6720 | | MHz |
| $f_{\text{VCO}H}$ | High VCO operating frequency | | 7960 | 9000 | | MHz |
| f_{BW} | Loop filter bandwidth | | | 500 | | KHz |
| Low VCO Phase Noise | | | | | | |
| Frequency Offset | 600 KHz | $f_{\text{VCO}} = 6\text{ GHz}$, CP = 5, PFD = 500 MHz, measured at output frequency = 1.8 GHz | | -124 | | dBc/Hz |
| | 1.2 MHz | | | -131 | | |
| | 1.8 MHz | | | -135 | | |
| | 6.0 MHz | | | -146 | | |
| High VCO Phase Noise | | | | | | |
| Frequency Offset | 600 KHz | $f_{\text{VCO}} = 9\text{ GHz}$, CP = 5, PFD = 500 MHz, measured at output frequency = 1.8 GHz | | -123 | | dBc/Hz |
| | 1.2 MHz | | | -131 | | |
| | 1.8 MHz | | | -136 | | |
| | 6.0 MHz | | | -148 | | |

6.9 Timing Requirements

| | | MIN | NOM | MAX | UNIT |
|--|---|---|-----|-----|---------------|
| Digital Input Timing Specifications | | | | | |
| Timing: SYSREF+/- | | | | | |
| $t_{s(\text{SYSREF})}$ | Setup time, SYSREF+/- valid to rising edge of DACCLK+/- | SYSREF Capture assist disabled | | 50 | ps |
| $t_{h(\text{SYSREF})}$ | Hold time, SYSREF+/- valid after rising edge of DACCLK+/- | SYSREF Capture assist disabled | | 50 | ps |
| Timing: Serial Port | | | | | |
| $t_{s(\text{SDEN})}$ | Setup time, SDEN to rising edge of SCLK | | | 20 | ns |
| $t_{s(\text{SDIO})}$ | Setup time, SDIO valid to rising edge of SCLK | | | 10 | ns |
| $t_{h(\text{SDIO})}$ | Hold time, SDIO valid after rising edge of SCLK | | | 5 | ns |
| $t_{(\text{SCLK})}$ | Period of SCLK | temperature sensor read | | 1 | μs |
| | | All other registers | | 100 | ns |
| $t_{d(\text{Data})}$ | Data output delay after falling edge of SCLK | | | 25 | ns |
| t_{RESET} | Minimum RESET pulse width | | | 25 | ns |
| Analog Output | | | | | |
| $t_{s(\text{DAC})}$ | Output settling time to 0.1% | | | 1 | ns |
| t_r | Output rise time 10% to 90% | | | 50 | ps |
| t_f | Output fall time 90% to 10% | | | 50 | ps |
| Latency | | | | | |
| RX SerDes AnalogDelay | | | | 250 | ps |
| DAC wake-up time | | I_{OUT} current settling to 1% of I_{OUTFS} from deep sleep | | 90 | μs |
| DAC sleep time | | I_{OUT} current settling to less than 1% of I_{OUTFS} in deep sleep | | 90 | μs |

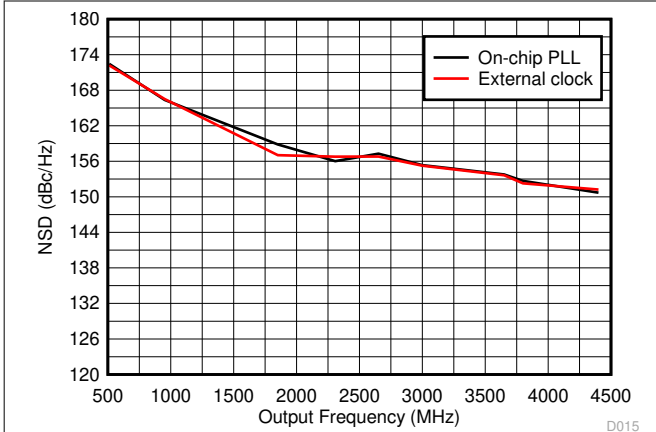
6.10 Typical Characteristics

Unless otherwise noted, all plots are at $T_A = 25^\circ\text{C}$, nominal supply voltages, $f_{\text{DAC}} = 9 \text{ GSPS}$, 12x interpolation, 0 dBFS digital input, 40 mA full scale output current (with 2:1 transformer in DAC38RF83/93/85 only), LMFSHd = 84111 and PLL is disabled.



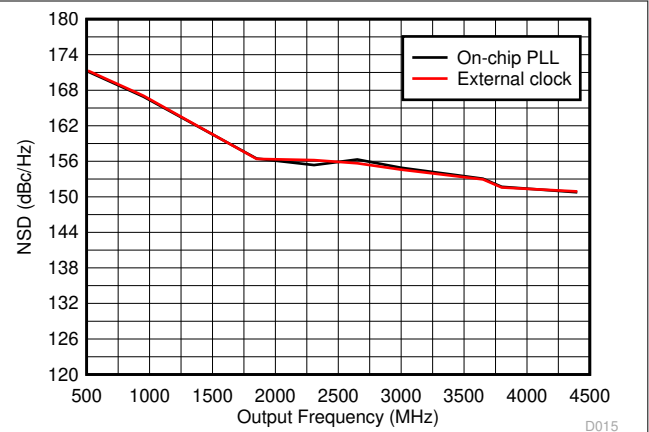
6.10 Typical Characteristics (continued)

Unless otherwise noted, all plots are at $T_A = 25^\circ\text{C}$, nominal supply voltages, $f_{\text{DAC}} = 9 \text{ GSPS}$, 12x interpolation, 0 dBFS digital input, 40 mA full scale output current (with 2:1 transformer in DAC38RF83/93/85 only), LMFSHd = 84111 and PLL is disabled.



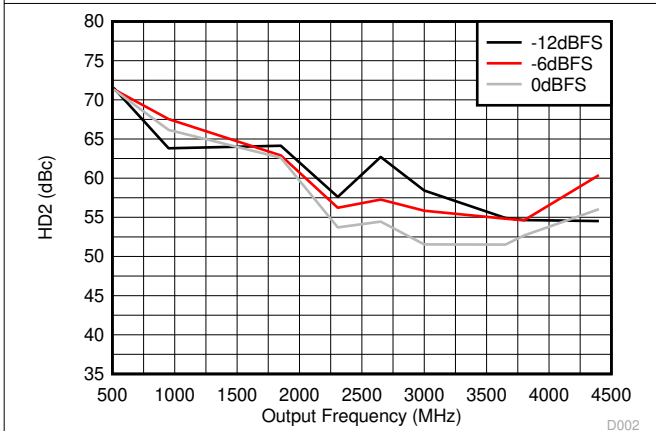
Measured 50 MHz from carrier DAC38RF83/93/85

Figure 6-5. NSD vs Output Frequency Over Cloning Option



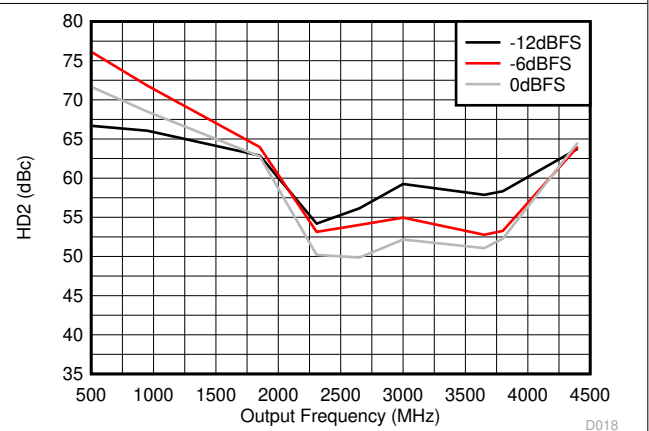
Measured 50 MHz from carrier DAC38RF80/90/84

Figure 6-6. NSD vs Output Frequency Over Cloning Option



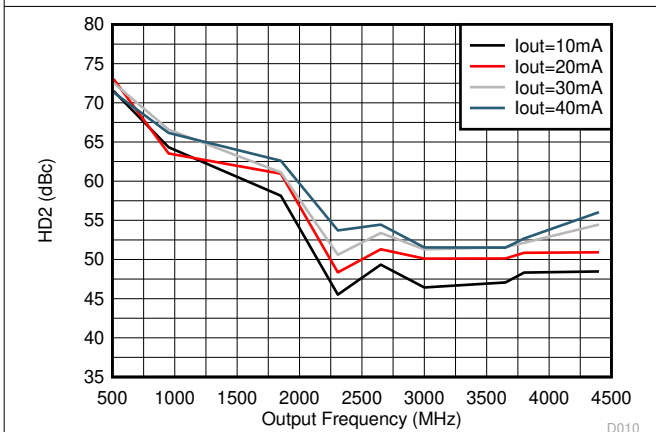
DAC38RF83/93/85

Figure 6-7. HD2 vs Output Frequency Over Input Scale



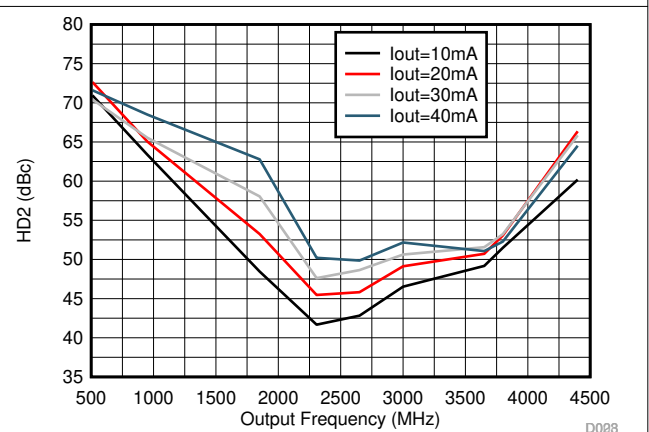
DAC38RF80/90/84

Figure 6-8. HD2 vs Output Frequency Over Input Scale



DAC38RF83/93/85

Figure 6-9. HD2 vs Output Frequency Over Output Current I_{outFS}



DAC38RF80/90/84

Figure 6-10. HD2 vs Output Frequency Over Output Current I_{outFS}

6.10 Typical Characteristics (continued)

Unless otherwise noted, all plots are at $T_A = 25^\circ\text{C}$, nominal supply voltages, $f_{\text{DAC}} = 9 \text{ GSPS}$, 12x interpolation, 0 dBFS digital input, 40 mA full scale output current (with 2:1 transformer in DAC38RF83/93/85 only), LMFSHd = 84111 and PLL is disabled.

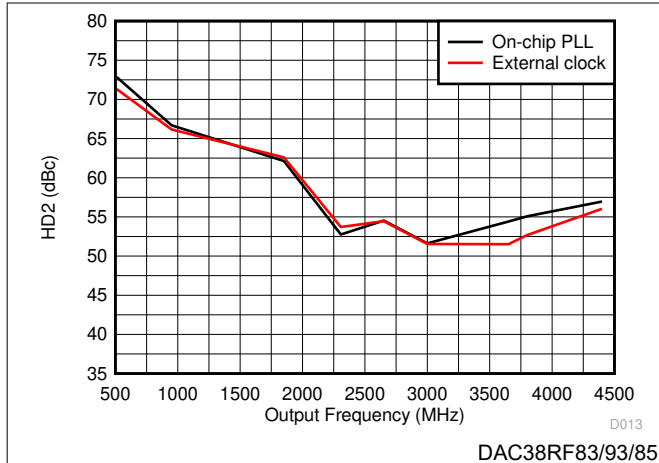


Figure 6-11. HD2 vs Output Frequency Over Clocking Option

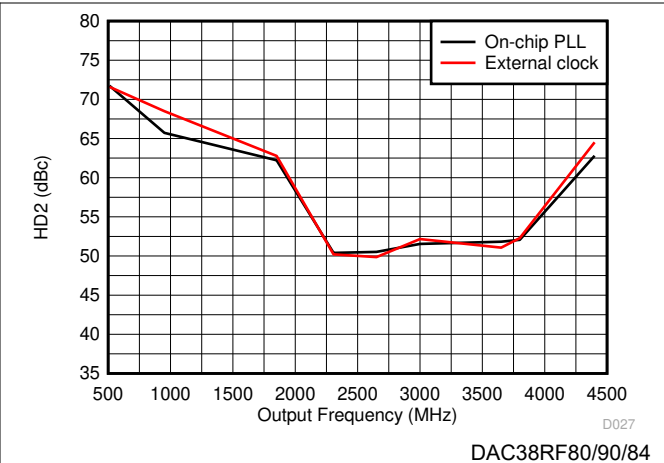


Figure 6-12. HD2 vs Output Frequency Over Clocking Option

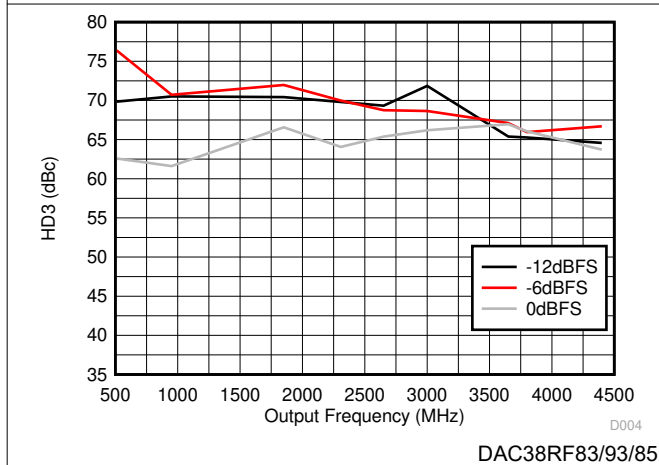


Figure 6-13. HD3 vs Output Frequency Over Input Scale

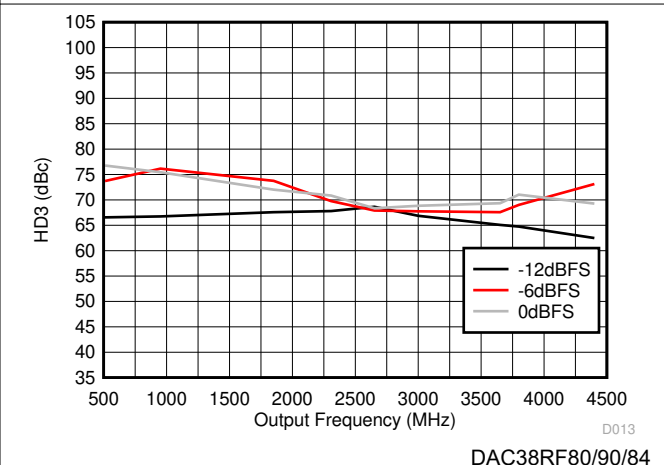


Figure 6-14. HD3 vs Output Frequency Over Input Scale

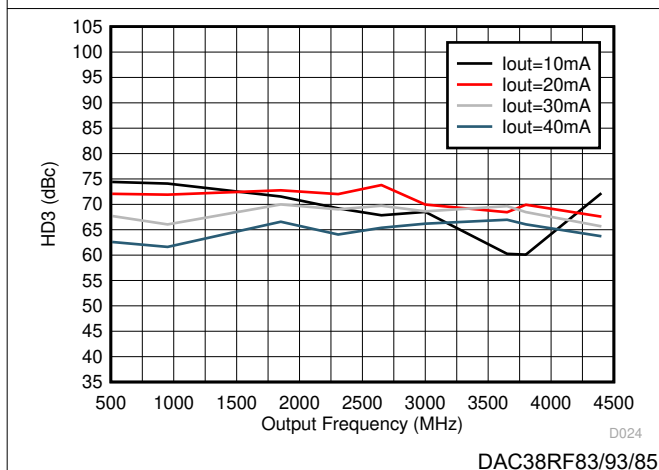


Figure 6-15. HD3 vs Output Frequency Over Output Current I_{outFS}

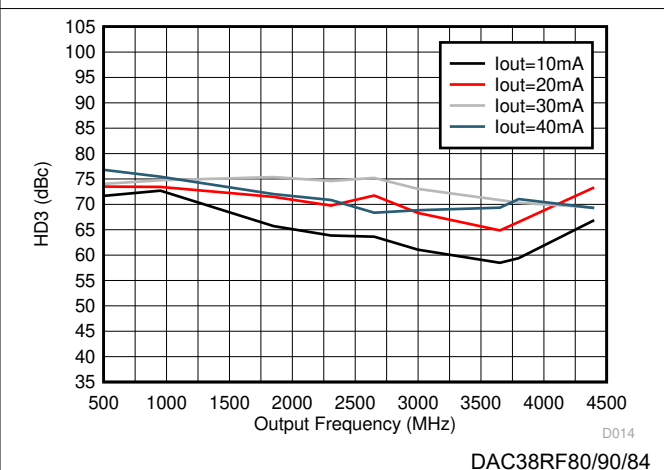


Figure 6-16. HD3 vs Output Frequency Over Output Current I_{outFS}

6.10 Typical Characteristics (continued)

Unless otherwise noted, all plots are at $T_A = 25^\circ\text{C}$, nominal supply voltages, $f_{\text{DAC}} = 9 \text{ GSPS}$, 12x interpolation, 0 dBFS digital input, 40 mA full scale output current (with 2:1 transformer in DAC38RF83/93/85 only), LMFSHd = 84111 and PLL is disabled.

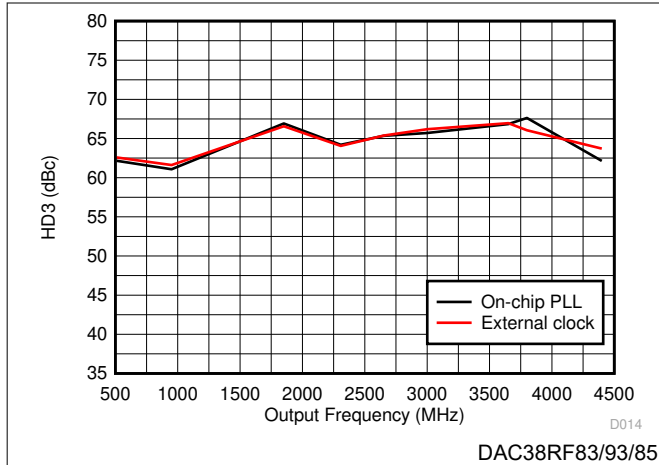


Figure 6-17. HD3 vs Output Frequency Over Clocking Option

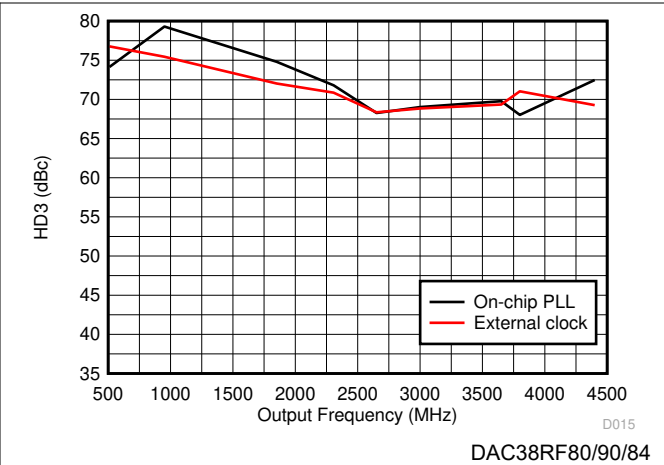


Figure 6-18. HD3 vs Output Frequency Over Clocking Option

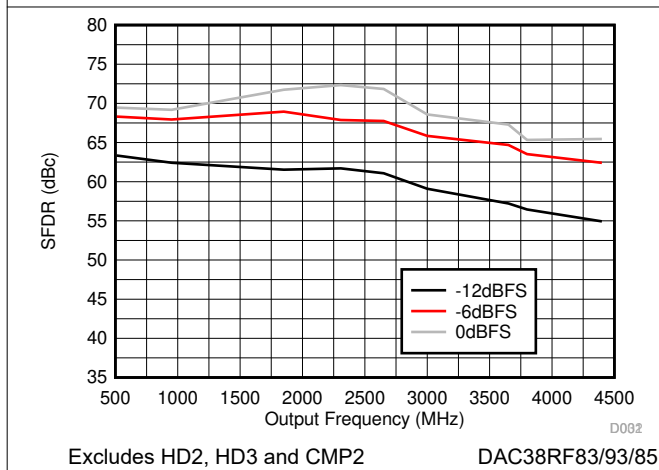


Figure 6-19. SFDR vs Output Frequency Over Input Scale

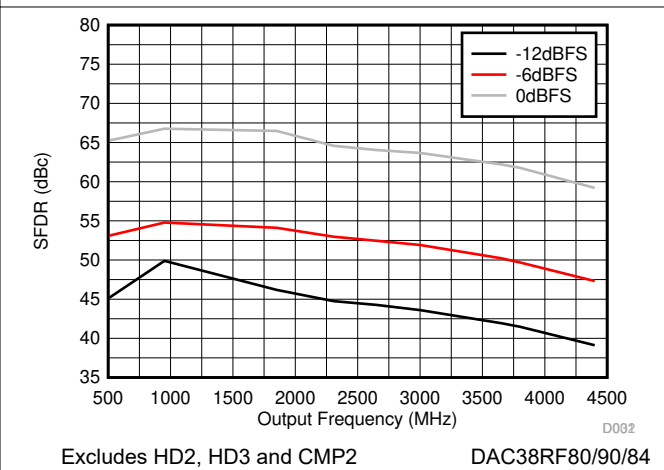


Figure 6-20. SFDR vs Output Frequency Over Input Scale

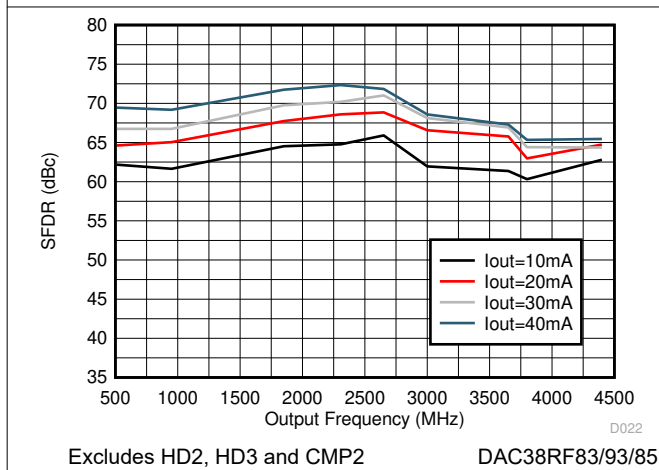


Figure 6-21. SFDR vs Output Frequency Over Output Current I_{outFS}

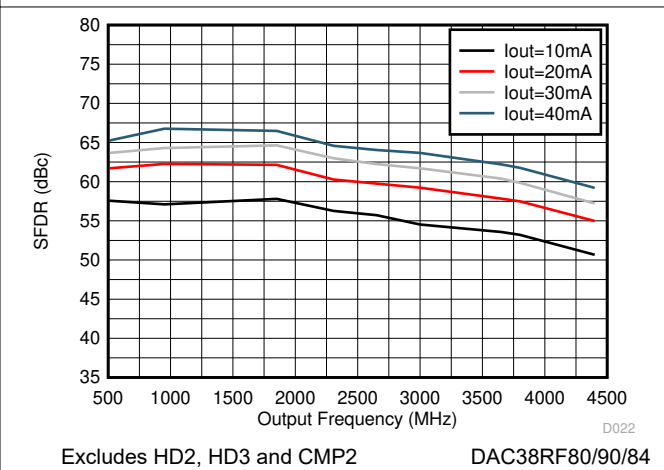
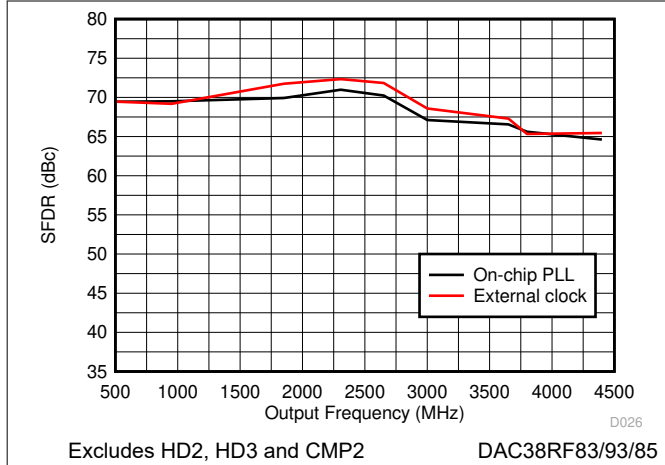


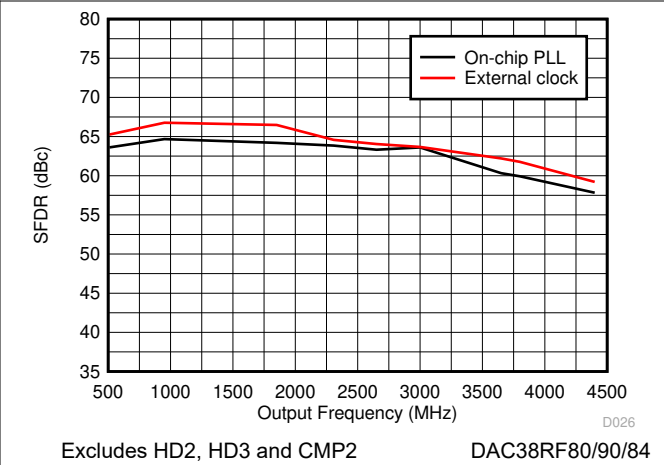
Figure 6-22. SFDR vs Output Frequency Over Output Current I_{outFS}

6.10 Typical Characteristics (continued)

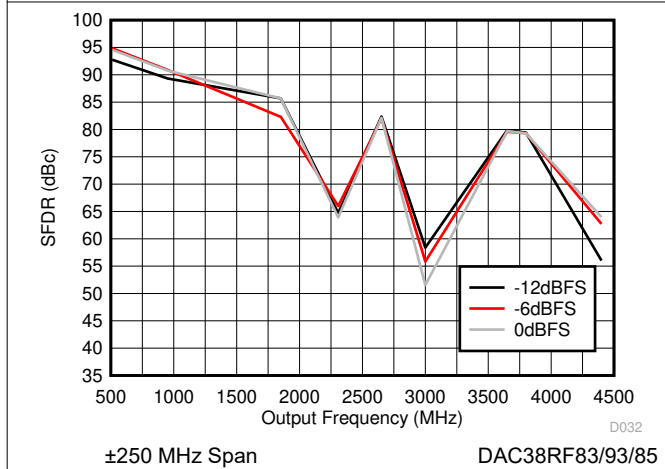
Unless otherwise noted, all plots are at $T_A = 25^\circ\text{C}$, nominal supply voltages, $f_{\text{DAC}} = 9 \text{ GSPS}$, 12x interpolation, 0 dBFS digital input, 40 mA full scale output current (with 2:1 transformer in DAC38RF83/93/85 only), LMFSHd = 84111 and PLL is disabled.



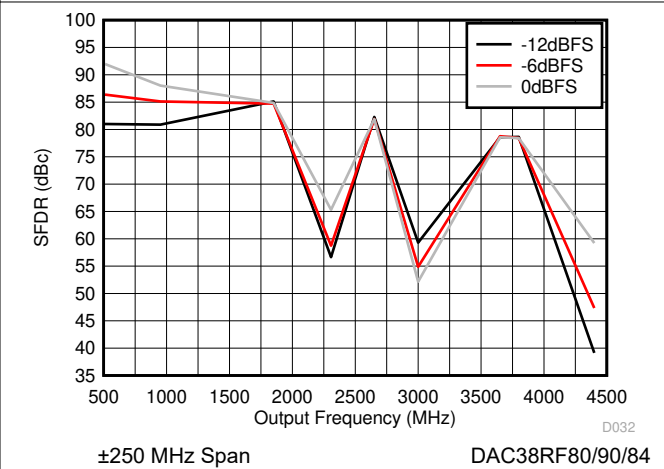
6-23. SFDR vs Output Frequency Over Clocking Option



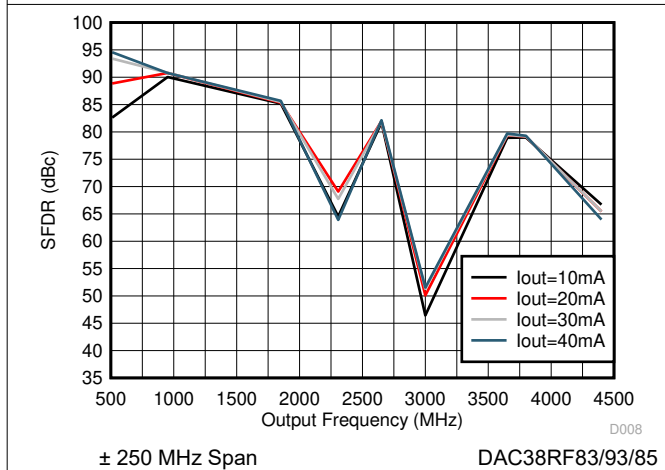
6-24. SFDR vs Output Frequency Over Clocking Option



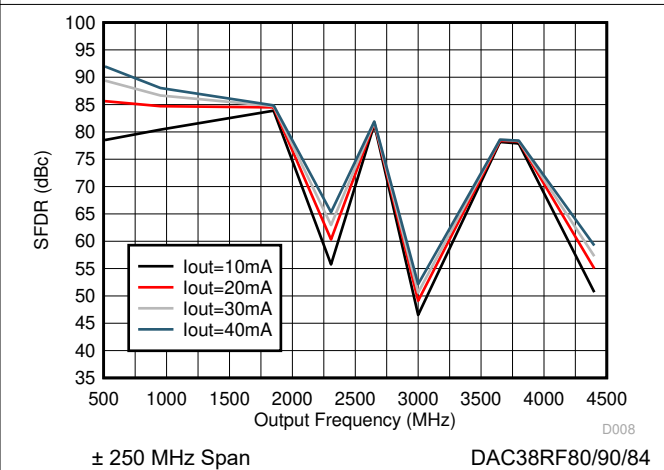
6-25. SFDR vs Output Frequency Over Input Scale



6-26. SFDR vs Output Frequency Over Input Scale



6-27. SFDR vs Output Frequency Over Output Current I_{outFS}



6-28. SFDR vs Output Frequency Over Output Current I_{outFS}

6.10 Typical Characteristics (continued)

Unless otherwise noted, all plots are at $T_A = 25^\circ\text{C}$, nominal supply voltages, $f_{\text{DAC}} = 9 \text{ GSPS}$, 12x interpolation, 0 dBFS digital input, 40 mA full scale output current (with 2:1 transformer in DAC38RF83/93/85 only), LMFSHd = 84111 and PLL is disabled.

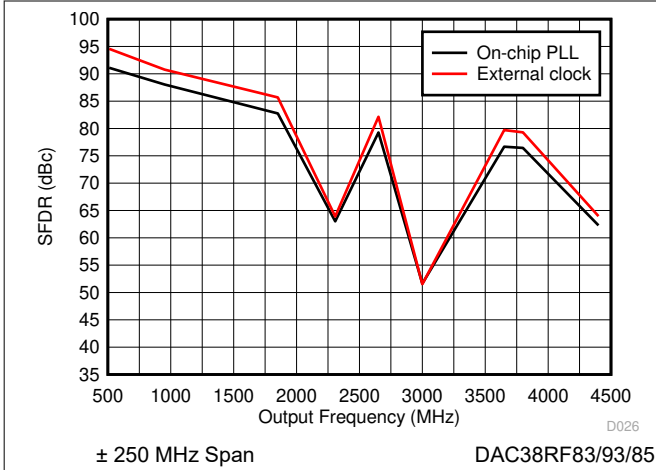


Figure 6-29. SFDR vs Output Frequency Over Clocking Option

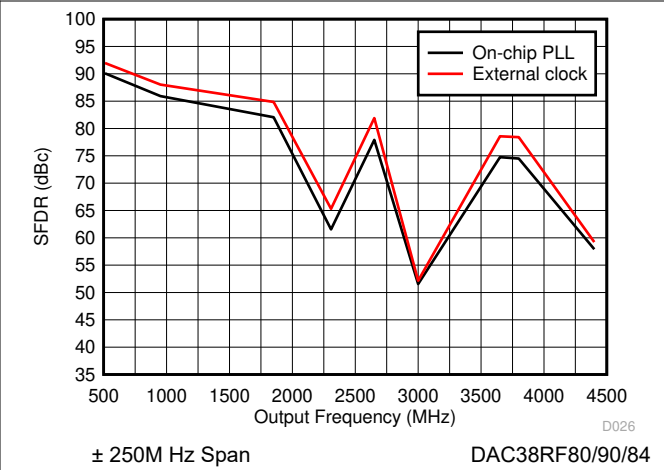


Figure 6-30. SFDR vs Output Frequency Over Clocking Option

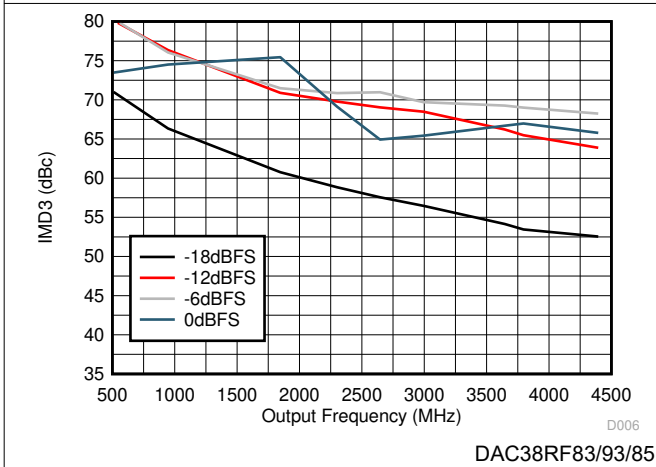


Figure 6-31. IMD3 vs Output Frequency Over Input Scale

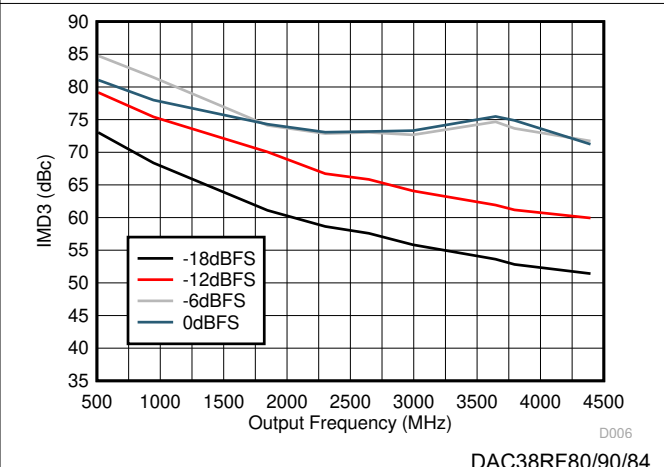


Figure 6-32. IMD3 vs Output Frequency Over Input Scale

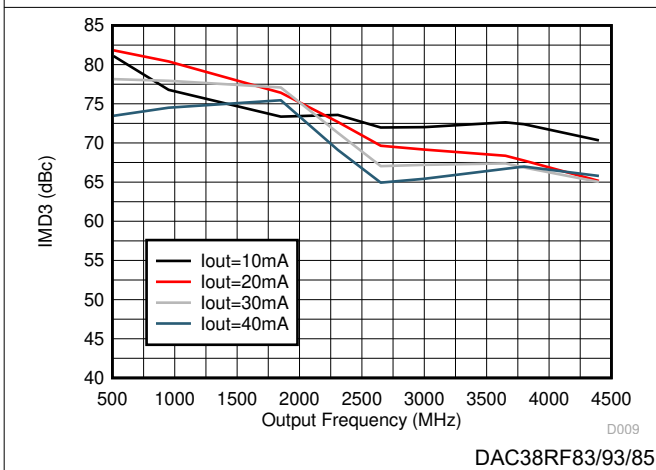


Figure 6-33. IMD3 vs Output Frequency Over Output Current I_{outFS}

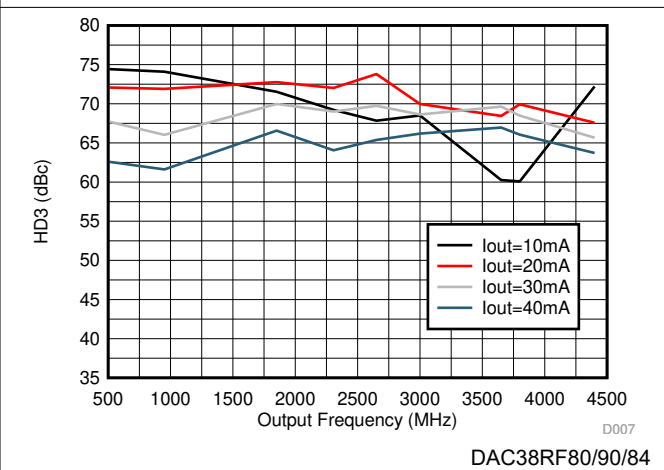


Figure 6-34. IMD3 vs Output Frequency Over Output Current I_{outFS}

6.10 Typical Characteristics (continued)

Unless otherwise noted, all plots are at $T_A = 25^\circ\text{C}$, nominal supply voltages, $f_{\text{DAC}} = 9 \text{ GSPS}$, 12x interpolation, 0 dBFS digital input, 40 mA full scale output current (with 2:1 transformer in DAC38RF83/93/85 only), LMFSHd = 84111 and PLL is disabled.

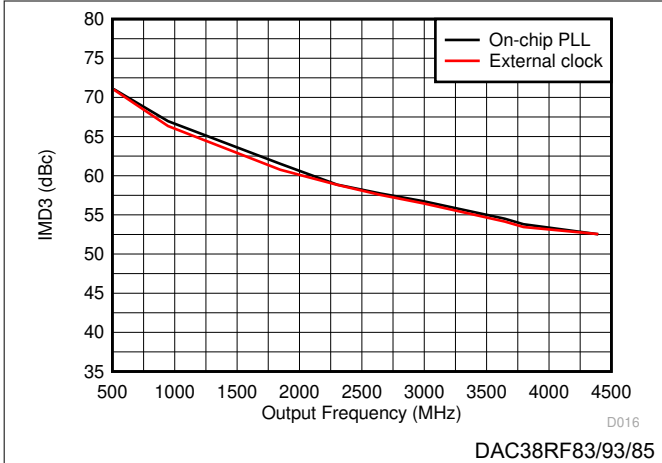


图 6-35. IMD3 vs Output Frequency Over Clocking Option

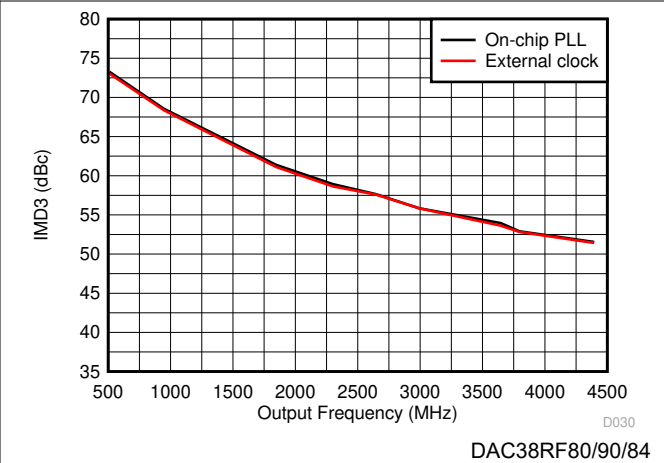


图 6-36. IMD3 vs Output Frequency Over Clocking Option

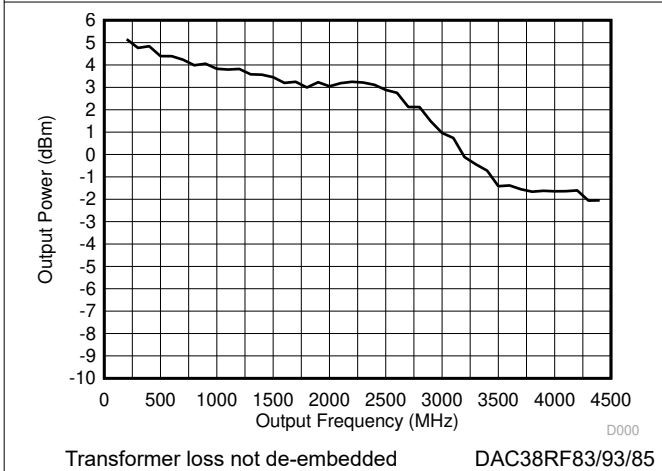


图 6-37. Power vs Output Frequency

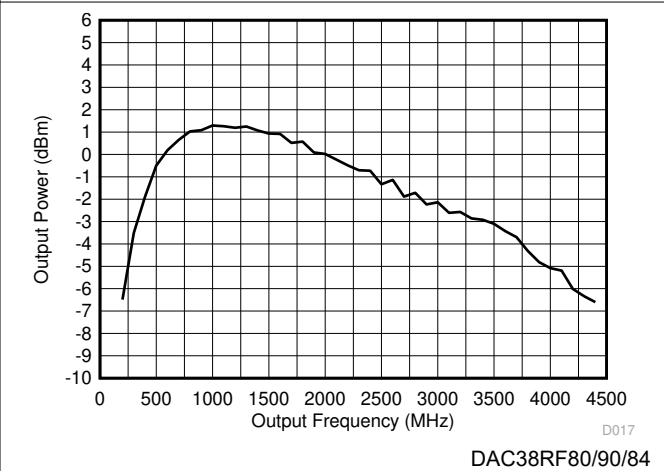


图 6-38. Power vs Output Frequency

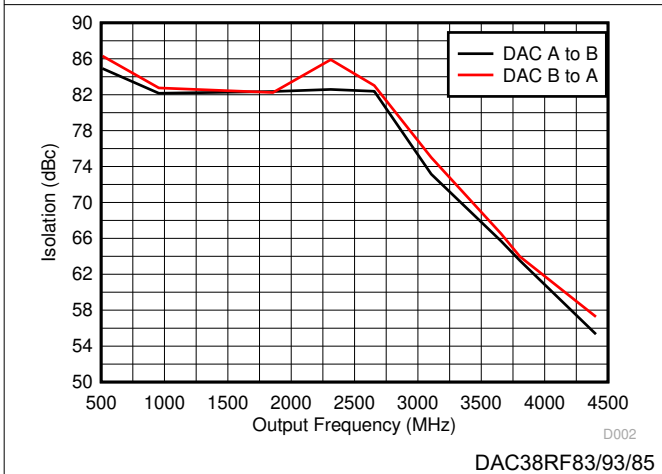


图 6-39. Isolation vs Output Frequency

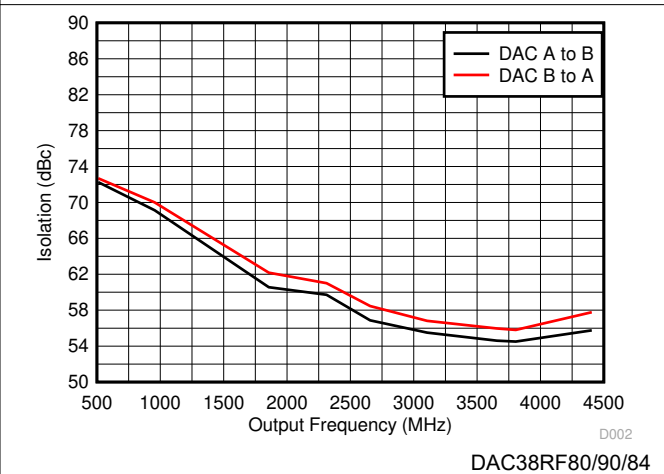
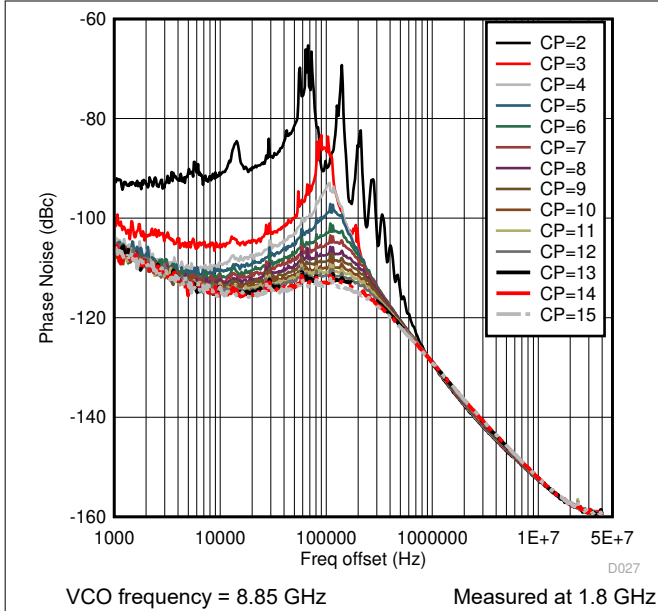


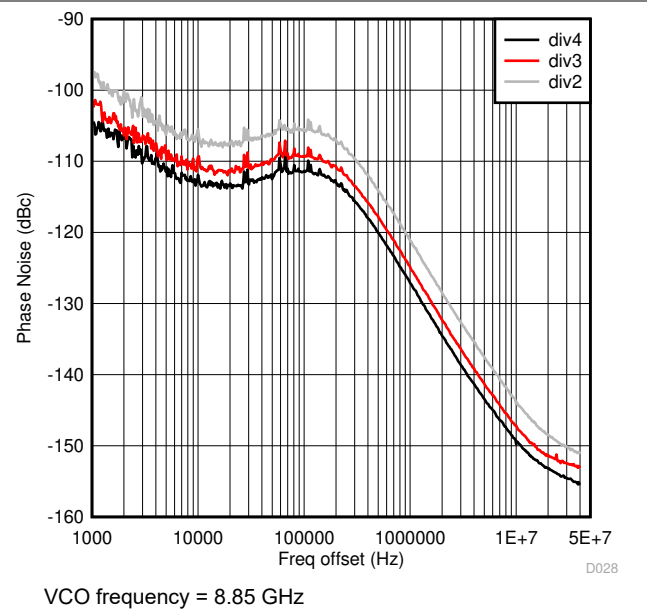
图 6-40. Isolation vs Output Frequency

6.10 Typical Characteristics (continued)

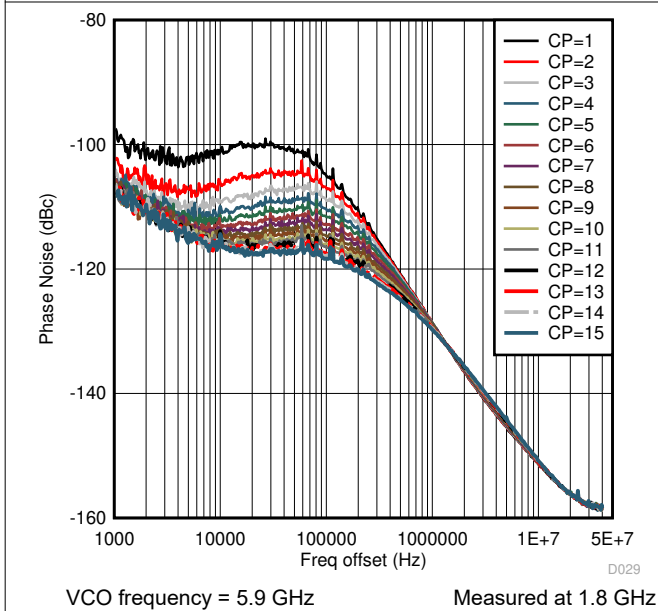
Unless otherwise noted, all plots are at $T_A = 25^\circ\text{C}$, nominal supply voltages, $f_{\text{DAC}} = 9$ GSPS, 12x interpolation, 0 dBFS digital input, 40 mA full scale output current (with 2:1 transformer in DAC38RF83/93/85 only), LMFSHd = 84111 and PLL is disabled.



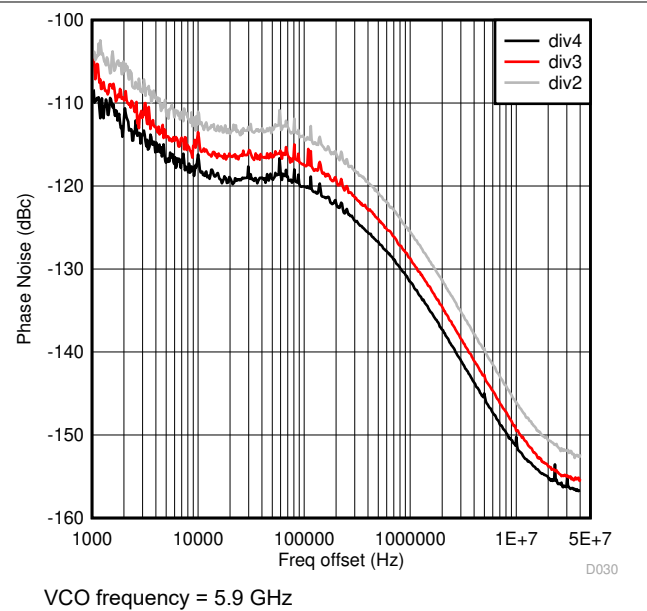
6-41. VCO1 Phase Noise vs Offset Frequency Over Charge pump current



6-42. VCO1 Output Clock Phase Noise vs Offset frequency Over Divider Ratio



6-43. VCO0 Phase Noise vs Offset Frequency Over Charge Pump Current



6-44. VCO0 Output clock Phase Noise vs Offset Frequency Over Divider Ratio

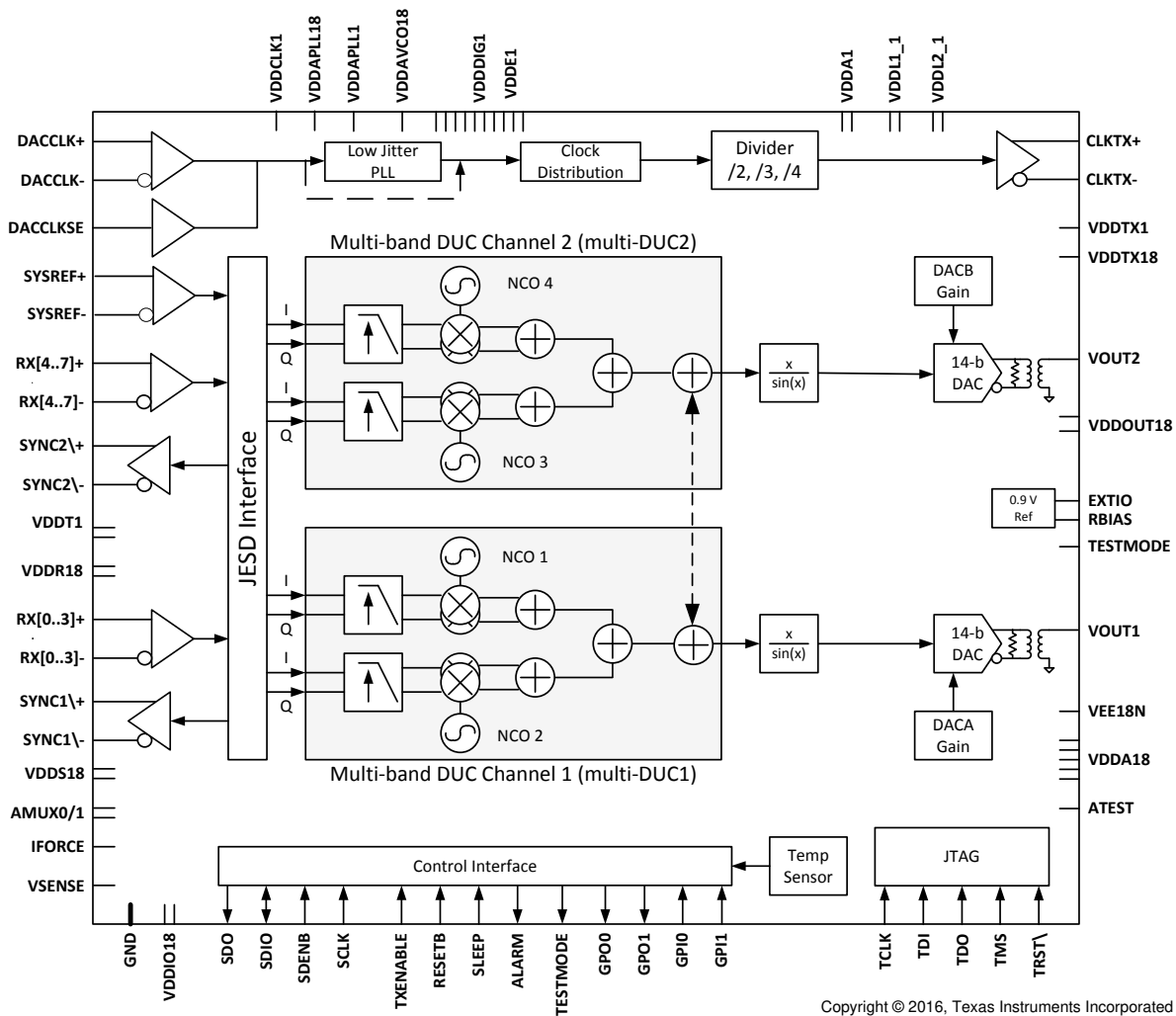
7 Detailed Description

7.1 Overview

The DAC38RFxx is a family of high-performance, dual/single-channel, 14-bit, 9-GSPS, RF-sampling digital-to-analog converters (DACs) that are capable of synthesizing wideband signals from 0 to 4.5 GHz. A high dynamic range allows the DAC38RFxx family to generate signals for a wide range of applications including 3G/4G signals for wireless base-stations.

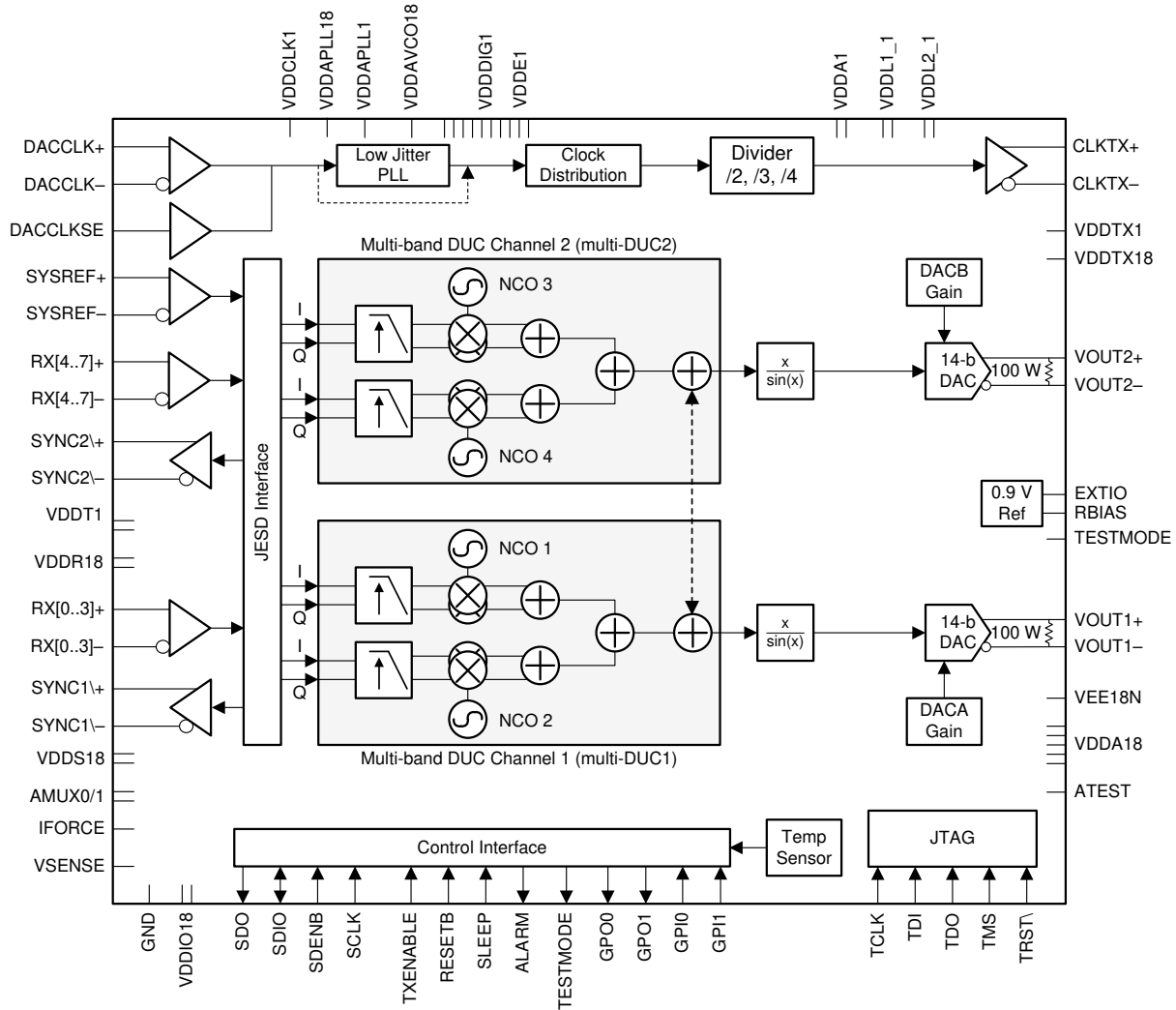
The devices feature a low-power JESD204B Interface with up to 8 lanes, and provides a maximum bit rate and input data rate of 12.5 Gbps and 1.25 GSPS complex per channel respectively. The DAC38RFxx provides two digital up-converters per channel, with multiple options for interpolation rates. A digital quadrature modulator with independent, frequency flexible NCOs are available to support multi-band operation. An optional low-jitter PLL/VCO simplifies the DAC sampling clock generation by allowing use of a lower frequency reference clock.

7.2 Functional Block Diagrams

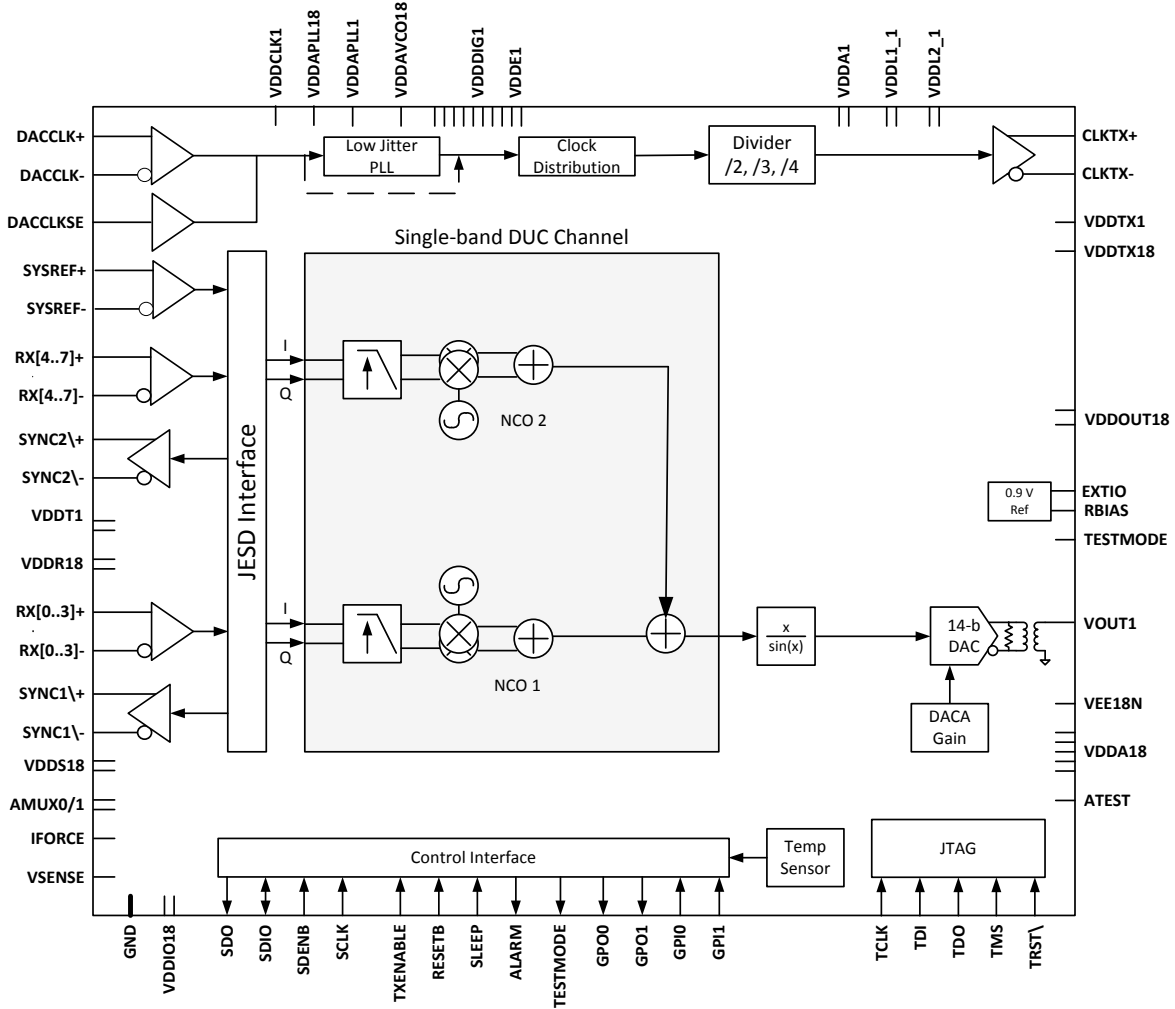


Copyright © 2016, Texas Instruments Incorporated

7-1. DAC38RF80 Block Diagram

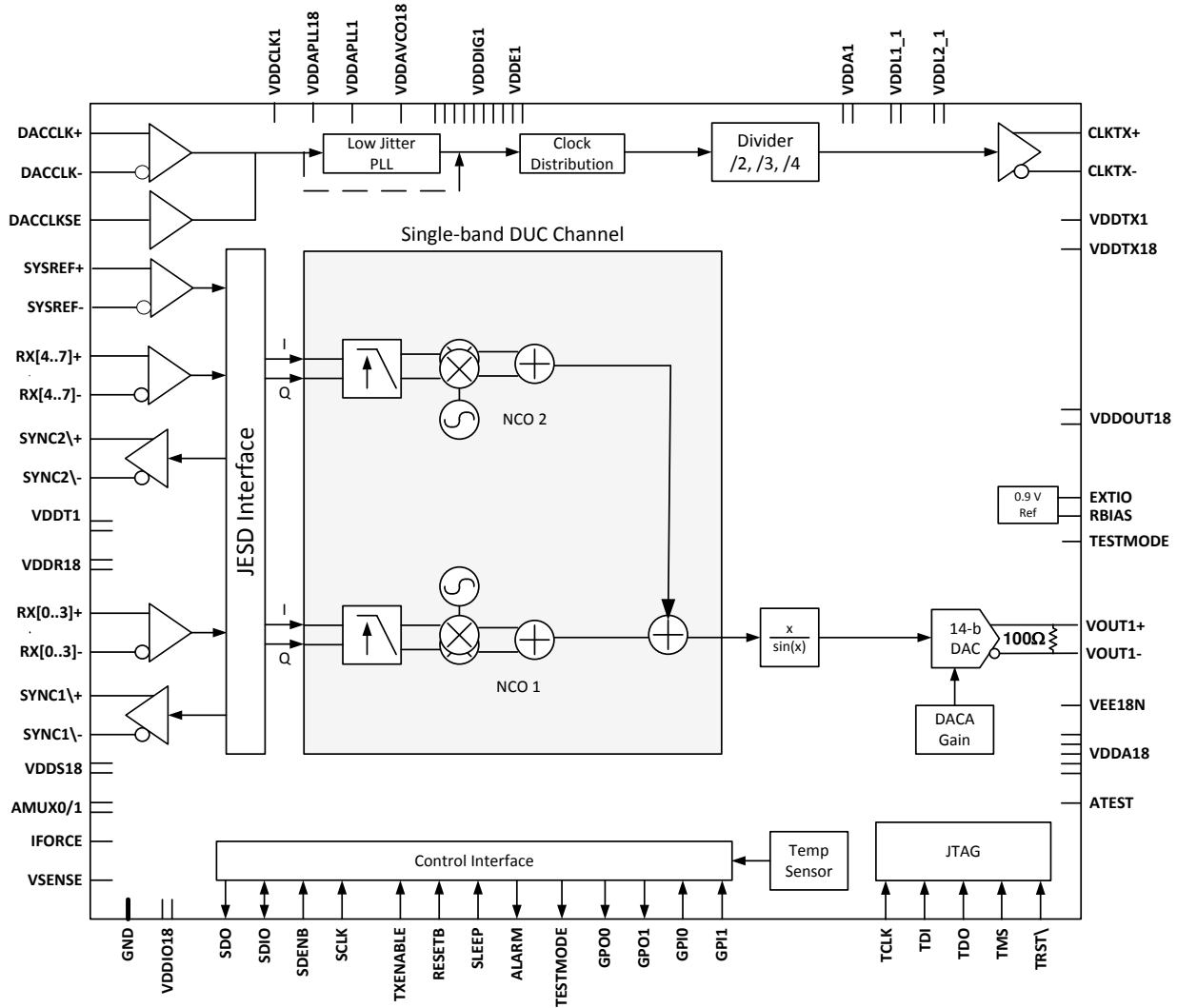


7-2. DAC38RF83 Block Diagram



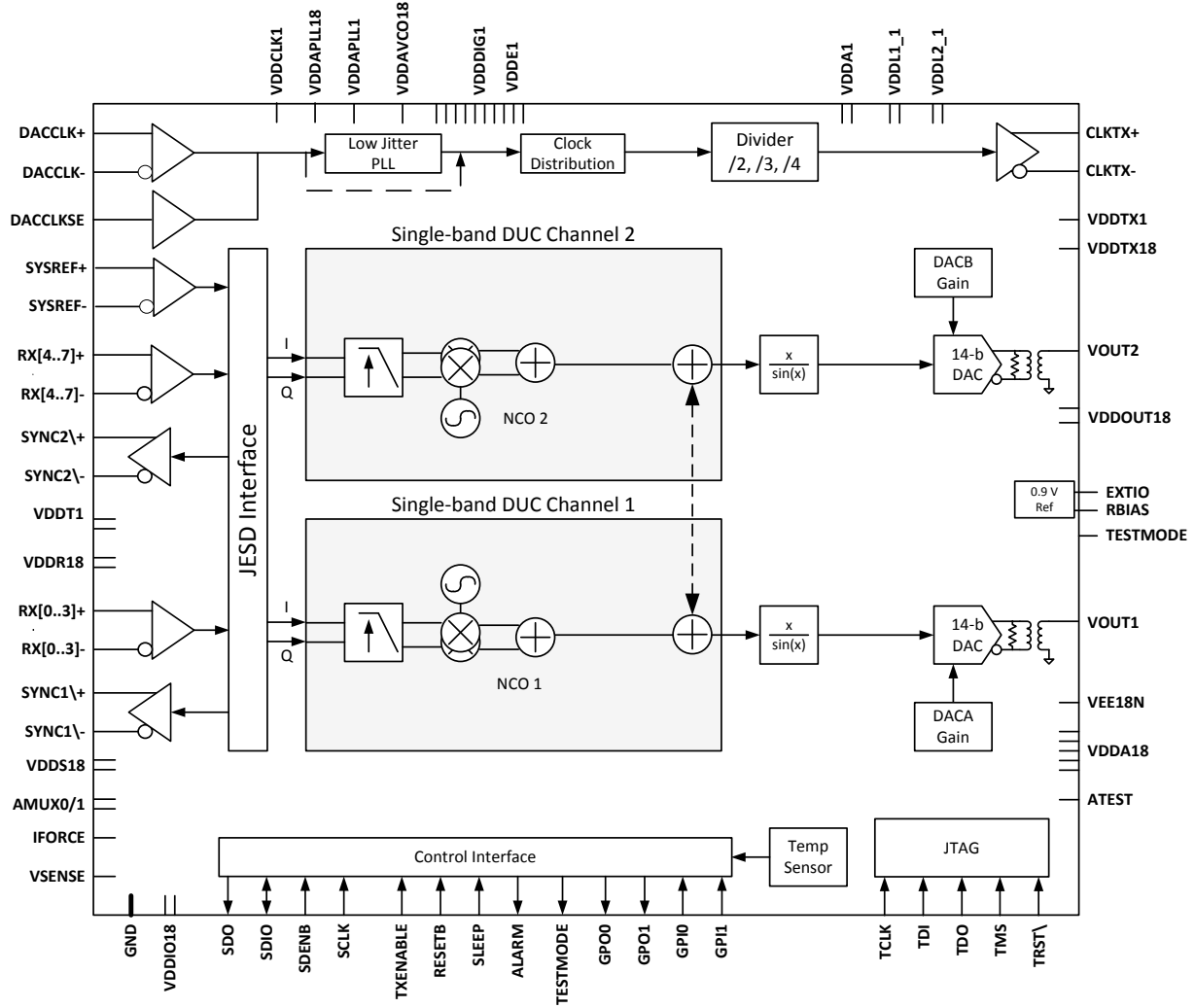
Copyright © 2016, Texas Instruments Incorporated

7-3. DAC38RF84 Block Diagram



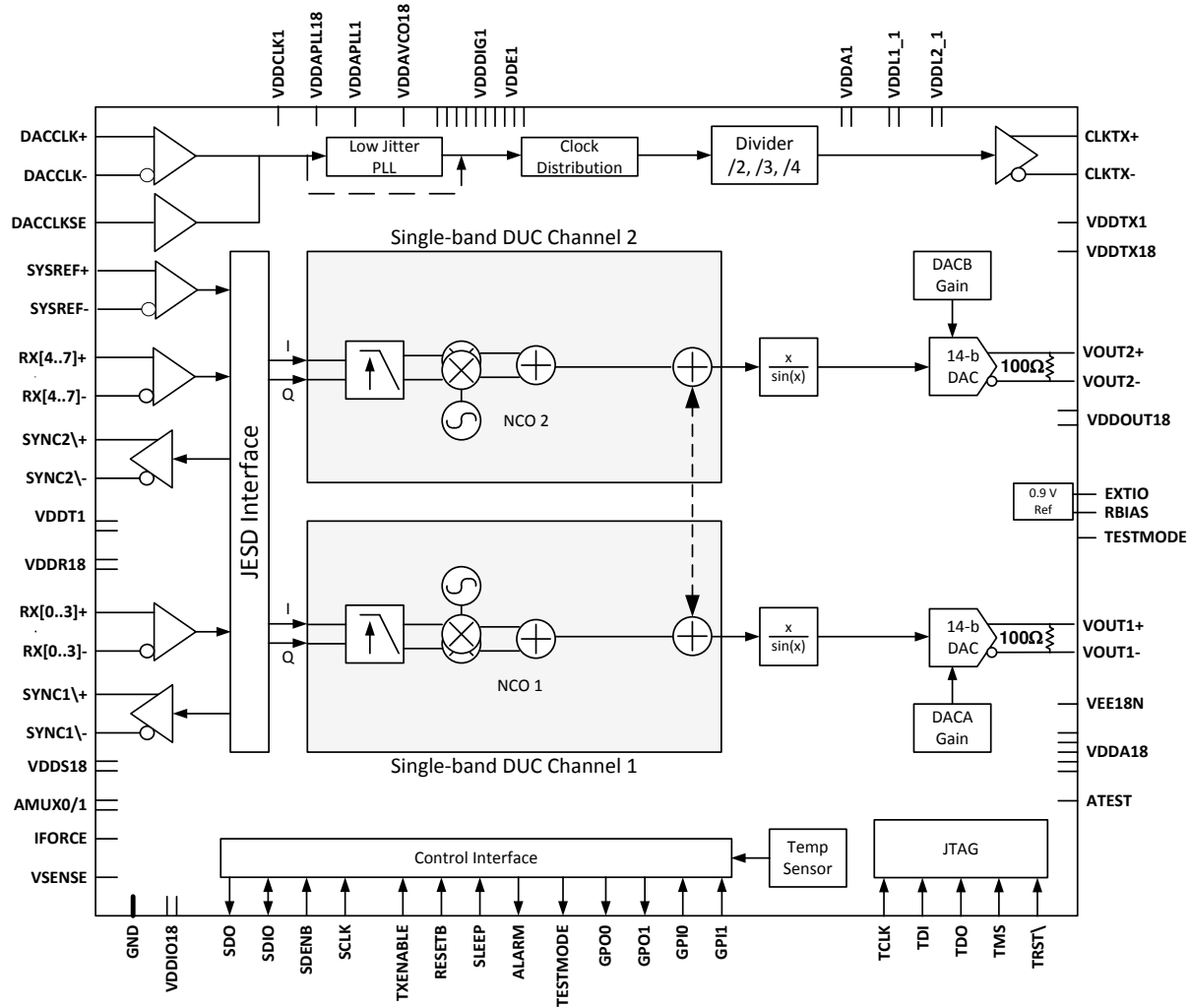
Copyright © 2016, Texas Instruments Incorporated

7-4. DAC38RF85 Block Diagram



Copyright © 2016, Texas Instruments Incorporated

7-5. DAC38RF90 Block Diagram



Copyright © 2016, Texas Instruments Incorporated

7-6. DAC38RF93 Block Diagram

7.3 Feature Description

7.3.1 SerDes Inputs

The DAC38RFxx RX [0..7]+/- differential inputs are each internally terminated to a common point through 50 Ω, as shown in [Figure 7-7](#).

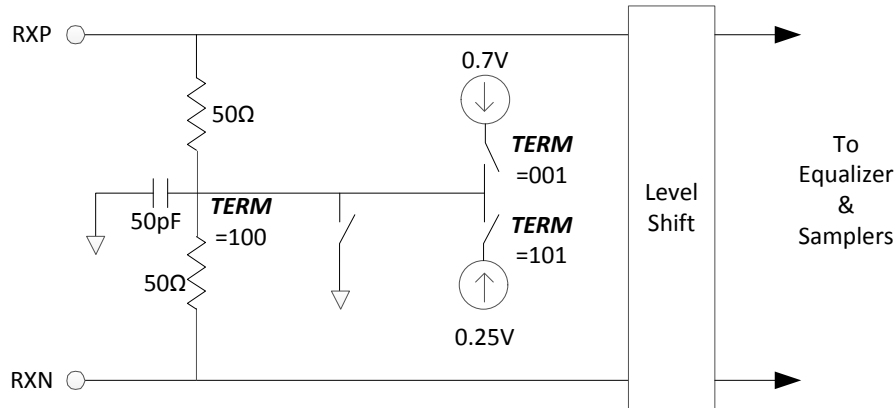


Figure 7-7. Serial Lane Input Termination

Common mode termination is through a 50 pF capacitor to GND. The common mode voltage and termination of the differential signal can be controlled in a number of ways to suit a variety of applications through field TERM in register SRDS_CFG2 ([8.5.87](#)), as described in [Table 7-1](#).

注

AC coupling is recommended for JESD204B compliance.

Table 7-1. Receiver Termination Selection

| TERM | EFFECT |
|------|--|
| 000 | Reserved |
| 001 | Common point set to 0.7 V. This configuration is for AC coupled systems. The transmitter has no effect on the receiver common mode, which is set to optimize the input sensitivity of the receiver. Note: this mode is not compatible with JESD204B. |
| 01x | Reserved |
| 100 | Common point set to GND. This configuration is for applications that require a 0 V common mode. |
| 101 | Common point set to 0.25 V. This configuration is for applications that require a low common mode. |
| 110 | Reserved |
| 111 | Common point floating. This configuration is for DC coupled systems in which the common mode voltage is set by the attached transmit link partner to 0 and 0.6 V. Note: this mode is not compatible with JESD204B |

Input data is sampled by the differential sensing amplifier using clocks derived from the clock recovery algorithm. The polarity of RX+ and RX- can be inverted by setting the bit of the corresponding lane in field INVPAIR in register SRDS_POL ([8.5.88](#)) to “1”. This can potentially simplify PCB layout and improve signal integrity by avoiding the need to swap over the differential signal traces.

Due to processing effects, the devices in the RX+ and RX- differential sense amplifiers will not be perfectly matched and there will be some offset in switching threshold. The DAC38RFxx contains circuitry to detect and correct for this offset. This feature can be enabled by setting ENOC in register SRDS_CFG1 ([8.5.86](#)) to “1”. It is anticipated the most users will enable this feature. During the compensation process, LOOPBACK in register SRDS_CFG1 ([8.5.86](#)) must be set to “00”.

7.3.2 SerDes Rate

The DAC38RFxx has eight configurable JESD204B serial lanes. The highest speed of each SerDes lane is 12.5 Gbps. Because the primary operating frequency of the SerDes is determined by its reference clock and PLL multiplication factor, there is a limit on the lowest SerDes rate supported. To support lower speed application, each receiver should be configured to operate at half, quarter or eighth of the full rate through field RATE in register SRDS_CFG2 (8.5.87). Refer to 表 7-2 for details.

表 7-2. Lane Rate Selection

| RATE | EFFECT |
|------|---|
| 00 | Full rate. Four data samples taken per SerDes PLL output clock cycle. |
| 01 | Half rate. Two data samples taken per SerDes PLL output clock cycle. |
| 10 | Quarter rate. One data samples taken per SerDes PLL output clock cycle. |
| 11 | Eighth rate. One data samples taken every two SerDes PLL output clock cycles. |

7.3.3 SerDes PLL

The DAC38RFxx has two integrated PLLs, one PLL is to provide the clocking of DAC; the other PLL is to provide the clocking for the high speed SerDes. The reference frequency of the SerDes PLL can be in the range of 100-800 MHz nominal, and 300-800 MHz optimal. The reference frequency is derived from DACCLK divided down by the value in field SerDes_REFCLK_DIV in register SRDS_CLK_CFG (8.5.84), as shown in 図 7-8. Field SerDes_CLK_SEL in register SRDS_CLK_CFG (8.5.84) determines if the DACCLK input or DAC PLL output is used as the source of the SerDes PLL reference. If the DACCLK input is used, a pre-divider set by field SerDes_REFCLK_PREDIV in register SRDS_CLK_CFG (8.5.84) should be used to reduce the frequency of the DACCLK.

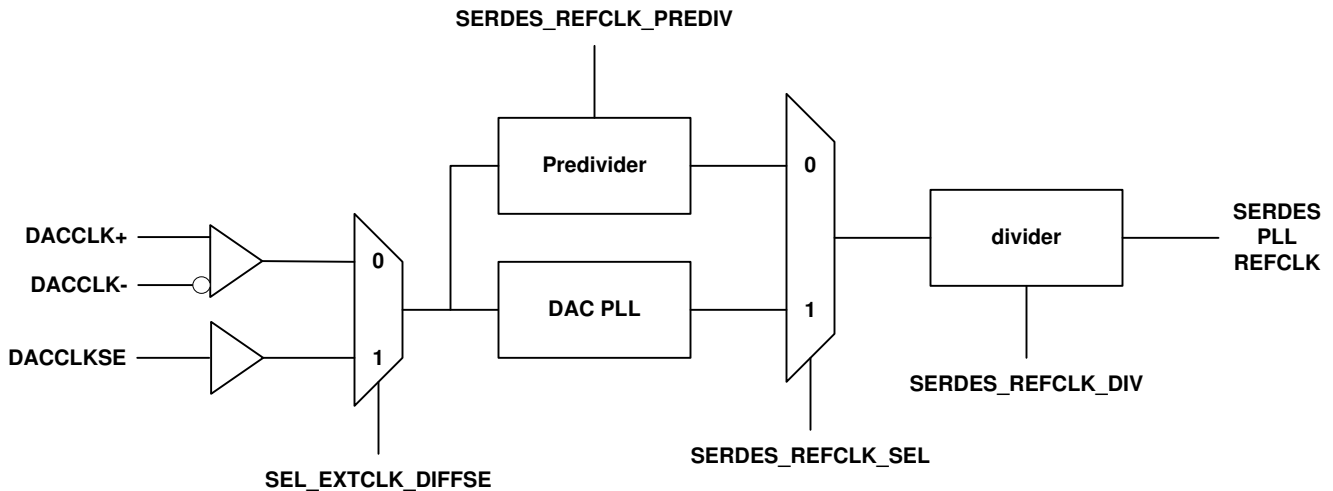


図 7-8. Reference Clock of SerDes PLL

During normal operation, the clock generated by PLL is 4-25 times the reference frequency, according to the multiply factor selected through the field MPY] in register SRDS_PLL_CFG (8.5.85). To select the appropriate multiply factor and reference clock frequency, it is first necessary to determine the required PLL output clock frequency. The relationship between the PLL output clock frequency and the lane rate is determined by field RATE in register SRDS_CFG2 (8.5.87) is shown in PLL. Having computed the PLL output frequency, the reference frequency can be obtained by dividing this by the multiply factor specified through MPY.

表 7-3. PLL

| RATE | LINE RATE | PLL OUTPUT FREQUENCY |
|------|-----------|----------------------|
| 00 | x Gbps | 0.25x GHz |
| 01 | x Gbps | 0.5x GHz |
| 10 | x Gbps | 1x GHz |
| 11 | x Gbps | 2x GHz |

表 7-4. SerDes PLL Multiplier (MPY) Values

| MPY | EFFECT |
|-------------|----------|
| 0x10 | 4x |
| 0x14 | 5x |
| 0x18 | 6x |
| 0x20 | 8x |
| 0x21 | 8.25x |
| 0x28 | 10x |
| 0x30 | 12x |
| 0x32 | 12.5x |
| 0x3C | 15x |
| 0x40 | 16x |
| 0x42 | 16.5x |
| 0x50 | 20x |
| 0x58 | 22x |
| 0x64 | 25x |
| Other codes | Reserved |

The wide range of multiply factors combined with the different rate modes means it is often possible to achieve a given line rate from multiple different reference frequencies. The configuration which utilizes the highest reference frequency achievable is always preferable.

The SerDes PLL VCO must be in the nominal range of 1.5625 - 3.125 GHz. It is necessary to adjust the loop filter depending on the operating frequency of the VCO. If the PLL output frequency is below 2.17 GHz, VRANGE in register SRDS_PLL_CFG (8.5.84) should be set high.

Performance of the integrated PLL can be optimized according to the jitter characteristics of the reference clock by setting the appropriate loop bandwidth through field LB in register SRDS_PLL_CFG (8.5.84). The loop bandwidth is obtained by dividing the reference frequency by BWSCALE, where the BWSCALE is a function of both LB and PLL output frequency as shown in 表 7-5.

表 7-5. SerDes PLL Loop Bandwidth Selection

| LB | EFFECT | BWSCALE vs PLL OUTPUT FREQUENCY | | |
|----|---------------------------|---------------------------------|----------|------------|
| | | 3.125 GHz | 2.17 GHz | 1.5625 GHz |
| 00 | Medium loop bandwidth | 13 | 14 | 16 |
| 01 | Ultra high loop bandwidth | 7 | 8 | 8 |
| 10 | Low loop bandwidth | 21 | 23 | 30 |
| 11 | High loop bandwidth | 10 | 11 | 14 |

An approximate loop bandwidth of 8 – 30 MHz is suitable and recommended for most systems where the reference clock is through low jitter clock input buffer. For systems where the reference clock is through a low jitter input cell, but of low quality, an approximate loop bandwidth of less than 8 MHz may offer better performance. For systems where the reference clock is cleaned through an ultra-low jitter LC-based cleaner

PLL, a high loop bandwidth up to 60 MHz is more appropriate. Note that the use of ultra-high loop bandwidth setting is not recommended for PLL multiply factor of less than 8.

A free running clock output is available when field ENDIVCLK in register SRDS_PLL_CFG (8.5.85) is set high. It runs at a fixed divided-by-80 of the PLL output frequency and can be output on the ALARM pin by setting field DTEST to “0001” (lanes 0 – 3) or “0010” (lanes 4 – 7) in register DTEST (8.5.76).

7.3.4 SerDes Equalizer

All channels of the DAC38RFxx incorporate an adaptive equalizer, which can compensate for channel insertion loss by attenuating the low frequency components with respect to the high frequency components of the signal, thereby reducing inter-symbol interference. [Figure 7-9](#) shows the response of the equalizer, which can be expressed in terms of the amount of low frequency gain and the frequency up to which this gain is applied (that is, the frequency of the 'zero'). Above the zero frequency, the gain increases at 6 dB/octave until it reaches the high frequency gain.

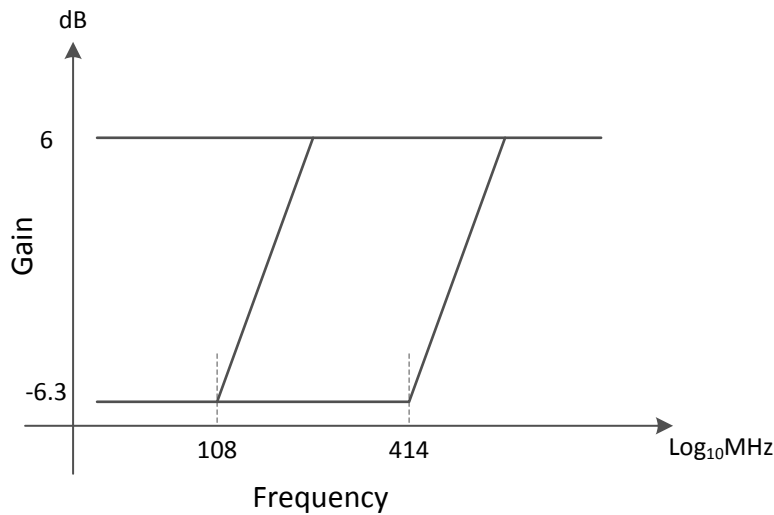


Figure 7-9. Equalizer Frequency Response

The equalizer can be configured through fields EQ and EQHLD in register SRDS_CFG1 (8.5.86). [Table 7-6](#) and [Table 7-7](#) summarize the options. When enabled, the receiver equalization logic analyzes data patterns and transition times to determine whether the low frequency gain should be increased or decreased. The decision logic is implemented as a voting algorithm with a relatively long analysis interval. The slow time constant that results reduces the probability of incorrect decisions but allows the equalizer to compensate for the relatively stable response of the channel. The lock time for the adaptive equalizer is data dependent, and so it is not possible to specify a generally applicable absolute limit. However, assuming random data, the maximum lock time will be 6×10^6 divided by the CDR activity level. For field CDR in register SRDS_CFG1 (8.5.86) = 110, the activity level is 1.5×10^6 UI.

When EQ = 0, finer control of gain boost is available using the EQBOOST IEEE1500 tuning chain field, as shown in [Table 7-8](#).

表 7-6. Receiver Equalization Configuration

| EQ | | EFFECT |
|-------|----|---|
| [1-0] | 00 | No equalization. The equalizer provides a flat response at the maximum gain. This setting may be appropriate if jitter at the receiver occurs predominantly as a result of crosstalk rather than frequency dependent loss. |
| | 01 | Fully adaptive equalization. The zero position is determined by the selected operating rate, and the low frequency gain of the equalizer is determined algorithmically by analyzing the data patterns and transition positions in the received data. This setting should be used for most applications. |
| | 10 | Precursor equalization analysis. The data patterns and transition positions in the received data are analyzed to determine whether the transmit link partner is applying more or less precursor equalization than necessary. |
| | 11 | Postcursor equalization analysis. The data patterns and transition positions in the received data are analyzed to determine whether the transmit link partner is applying more or less post-cursor equalization than necessary. |
| [2] | 0 | Default |
| | 1 | Boost. Equalizer gain boosted by 6 dB, with a 20% reduction in bandwidth, and an increase of 5mW power consumption. May improve performance over long links. |

表 7-7. Receiver Equalizer Hold

| EQHOLD | EFFECT |
|--------|--|
| 0 | Equalizer adaption enabled. The equalizer adaption and analysis algorithm is enabled. This should be the default state. |
| 1 | Equalizer adaption held. The equalizer is held in its current state. Additionally, the adaption and analysis algorithm is reset. |

表 7-8. Relationship Between Lane Rate and SerDes PLL Output Frequency

| EQBOOST | GAIN BOOST (dB) | BANDWIDTH CHANGE (%) | POWER INCREASE (mW) |
|---------|-----------------|----------------------|---------------------|
| 00 | 0 | 0 | 0 |
| 01 | 2 | -30 | 0 |
| 01 | 4 | 10 | 5 |
| 11 | 6 | -20 | 5 |

When EQ is set to 010 or 011, the equalizer is reconfigured to provide analytical data about the amount of pre and post cursor equalization respectively present in the received signal. This can in turn be used to adjust the equalization settings of the transmitting link partner, where a suitable mechanism for communicating this data back to the transmitter exists. Status information is provided by setting field DTEST in register DTEST (8.5.76) to “0111” for EQOVER and “0110” for EQUNDER. The procedure is as follows:

1. Enable the equalizer by setting fields EQHLD low and EQ to “001” (register SRDS_CFG1 8.5.86). Allow sufficient time for the equalizer to adapt;
2. Set EQHLD to 1 to lock the equalizer and reset the adaption algorithm. This also causes both EQOVER and EQUNDER to become low;
3. Wait at least 48 UI, and proportionately longer if the CDR activity is less than 100%, to make sure the 1 on EQHLD is sampled and acted upon;
4. Set EQ to “010” or “011”, and EQHLD to 0. The equalization characteristics of the received signal are analyzed (the equalizer response will continue to be locked);
5. Wait at least 150×10^3 UI to allow time for the analysis to occur, proportionately longer if the CDR activity is less than 100%;
6. Examine EQOVER and EQUNDER for results of analysis
 - If EQOVER is high, it indicates the signal is over equalized;
 - If EQUNDER is high, it indicates the signal is under equalized;
7. Set EQHLD to 1;
8. Repeat items 3–7 if required;
9. Set EQ to “001”, and EQHLD to 0 to exit analysis mode and return to normal adaptive equalization.

注

When changing EQ from one non-zero value to another, EQHLD must already be 1. If this is not the case, there is a chance the equalizer could be reset by a transitory input state (that is, if EQ is momentarily 000). EQHLD can be set to 0 at the same time as EQ is changed.

As the equalizer adaption algorithm is designed to equalize the post cursor, EQOVER or EQUUNDER will only be set during post cursor analysis if the amount of post cursor equalization required is more or less than the adaptive equalizer can provide.

7.3.5 JESD204B Descrambler

The descrambler is a 16-bit parallel self-synchronous descrambler based on the polynomial $1 + x^{14} + x^{15}$. From the JESD204B specification, the scrambling/descrambling process only occurs on the user data, not on the code group synchronization or the ILA sequence. Each multi-DUC has a separate descrambler that can be enabled independently. The descrambler is enabled by field SCR in the multi-DUC paged register JESD_N_HD_SCR (8.5.49).

7.3.6 JESD204B Frame Assembly

The DAC38RFxx may be programmed as a single or dual DAC device, with one JESD RX block designated for each DAC. The two JESD RX blocks can be programmed to operate as two separate links or as a single link.

The JESD204B defines the following parameters:

- L is the number of lanes
- M is the number of I or Q streams per device (2 = 1 IQ pair, 4 = 2 IQ pairs, 8 = 4 IQ pairs)
- F is the number of octets per frame clock period
- S is the number of samples per frame
- HD is the High-Density bit which controls whether a sample may be divided over more lanes
- N = NPRIME is the number of bits per sample (12 or 16 - bits)

Fields K and L are found in multi-DUC paged register JESD_K_L (8.5.46), M and S in multi-DUC paged register JESD_M_S (8.5.48), and N, NPRIME and HD in multi-DUC paged register JESD_N_HD_SCR (8.5.49).

表 7-9 lists the available JESD204B formats, interpolation rates and sample rate limits for the DAC38RFxx. The ranges are limited by the SerDes PLL VCO frequency range, the SerDes PLL reference clock range, the maximum SerDes line rate, and the maximum DAC sample frequency. 表 7-10 through 表 7-22 lists the frame formats for each mode. In the frame format tables, i CH (N) [x:y] and q CH (N) [x:y] are bits x through y of the I and Q samples at time N of DUC channel CH. If [x..y] is not listed, the full sample is assumed. For example, i0(0) [15:8] are bits 15 – 8 of the I sample at time 0 of DUC #0, and q1(1) is the full Q sample at time 1 of DUC #1.

表 7-9. JESD204B Formats for DAC38RFxx

| L-M-F-S-Hd 1 TX | L-M-F-S-Hd 2 TX | Frame Format | Input Resolution | IQ Pairs Per DAC | Interp | Input Rate Max (MSPS) | f _{DAC} Max (MSPS) | DAC38RF83, DAC38RF80 | DAC38RF93, DAC38RF90 | DAC38RF85, DAC38RF84 (1 TX only) |
|--------------------|--------------------|------------------------------|---------------------|---------------------|--------|--------------------------|--------------------------------|-------------------------|-------------------------|--|
| 82121 | NA | 1 TX: 表 7-10 | 16 | 1 | 6 | 1250 | 7500 | √ | | √ |
| | | | 16 | 1 | 8 | 1125 | 9000 | √ | | √ |
| | | | 16 | 1 | 12 | 750 | 9000 | √ | √ | √ |
| | | | 16 | 1 | 16 | 562.5 | 9000 | √ | √ | √ |
| 42111 | 84111 | 1 TX: 表 7-11 2 TX: 表 7-12 | 16 | 1 | 6 | 1250 | 7500 | √ | | √ |
| | | | 16 | 1 | 8 | 1125 | 9000 | √ | | √ |
| | | | 16 | 1 | 10 | 900 | 9000 | √ | | √ |
| | | | 16 | 1 | 12 | 750 | 9000 | √ | √ | √ |
| | | | 16 | 1 | 16 | 562.5 | 9000 | √ | √ | √ |
| | | | 16 | 1 | 18 | 500 | 9000 | √ | √ | √ |
| | | | 16 | 1 | 24 | 375 | 9000 | √ | √ | √ |

表 7-9. JESD204B Formats for DAC38RFxx (続き)

| L-M-F-S-Hd 1 TX | L-M-F-S-Hd 2 TX | Frame Format | Input Resolution | IQ Pairs Per DAC | Interp | Input Rate Max (MSPS) | f _{DAC} Max (MSPS) | DAC38RF83, DAC38RF80 | DAC38RF93, DAC38RF90 | DAC38RF85, DAC38RF84 (1 TX only) |
|--------------------|--------------------|------------------------------|---------------------|---------------------|--------|--------------------------|--------------------------------|-------------------------|-------------------------|--|
| 22210 | 44210 | 1 TX: 表 7-13 2 TX: 表 7-14 | 16 | 1 | 8 | 625 | 5000 | √ | | √ |
| | | | 16 | 1 | 12 | 625 | 7500 | √ | √ | √ |
| | | | 16 | 1 | 16 | 562.5 | 9000 | √ | √ | √ |
| | | | 16 | 1 | 18 | 500 | 9000 | √ | √ | √ |
| | | | 16 | 1 | 20 | 450 | 9000 | √ | √ | √ |
| | | | 16 | 1 | 24 | 375 | 9000 | √ | √ | √ |
| 12410 | 24410 | 1 TX: 表 7-15 2 TX: 表 7-16 | 16 | 1 | 16 | 312.5 | 5000 | √ | √ | √ |
| | | | 16 | 1 | 24 | 312.5 | 7500 | √ | √ | √ |
| 44210 | 88210 | 1 TX: 表 7-17 2 TX: 表 7-18 | 16 | 2 | 8 | 625 | 5000 | √ | | √ |
| | | | 16 | 2 | 12 | 625 | 7500 | √ | | √ |
| | | | 16 | 2 | 16 | 562.5 | 9000 | √ | | √ |
| | | | 16 | 2 | 24 | 375 | 9000 | √ | | √ |
| 24410 | 48410 | 1 TX: 表 7-19 2 TX: 表 7-20 | 16 | 2 | 16 | 312.5 | 5000 | √ | | √ |
| | | | 16 | 2 | 24 | 312.5 | 7500 | √ | | √ |
| 24310 | 48310 | 1 TX: 表 7-21 2 TX: 表 7-22 | 12 | 2 | 24 | 375 | 9000 | √ | | √ |

表 7-10. JESD204B Frame Format for LMFShd = 82121

| # un bits | 4 | 8 |
|-----------|----------|----|
| # en bits | 5 | 10 |
| Nibble | 1 | 2 |
| lane RX0 | i0[15:8] | |
| lane RX1 | i0[7:0] | |
| lane RX2 | i1[15:8] | |
| lane RX3 | i1[7:0] | |
| lane RX4 | q0[15:8] | |
| lane RX5 | q0[7:0] | |
| lane RX6 | q1[15:8] | |
| lane RX7 | q1[7:0] | |

表 7-11. JESD204B Frame Format for LMFShd = 42111

| # un bits | 4 | 8 |
|-----------|----------|----|
| # en bits | 5 | 10 |
| Nibble | 1 | 2 |
| lane RX0 | i0[15:8] | |
| lane RX1 | i0[7:0] | |
| lane RX2 | q0[15:8] | |
| lane RX3 | q0[7:0] | |

表 7-12. JESD204B Frame Format for LMFShd = 84111

| # un bits | 4 | 8 |
|-----------|---------------------------|----|
| # en bits | 5 | 10 |
| Nibble | 1 | 2 |
| lane RX0 | A-i0[15:8] ⁽¹⁾ | |
| lane RX1 | A-i0[7:0] ⁽²⁾ | |
| lane RX2 | A-q0[15:8] | |
| lane RX3 | A-q0[7:0] | |
| lane RX4 | B-i0[15:8] | |
| lane RX5 | B-i0[7:0] | |

表 7-12. JESD204B Frame Format for LMFSHd = 84111 (続き)

| | | |
|-----------|------------|----|
| # un bits | 4 | 8 |
| # en bits | 5 | 10 |
| Nibble | 1 | 2 |
| lane RX6 | B-q0[15:8] | |
| lane RX7 | B-q0[7:0] | |

- (1) DAC A, I sample 0, MSB byte
 (2) DAC A, I sample 0, LSB byte

表 7-13. JESD204B Frame Format for LMFSHd = 22210

| | | | | |
|-----------|----|----|----|----|
| # un bits | 4 | 8 | 12 | 16 |
| # en bits | 5 | 10 | 15 | 20 |
| Nibble | 1 | 2 | 3 | 4 |
| lane RX0 | i0 | | | |
| lane RX1 | q0 | | | |

表 7-14. JESD204B Frame Format for LMFSHd = 44210

| | | | | |
|-----------|---------------------|----|----|----|
| # un bits | 4 | 8 | 12 | 16 |
| # en bits | 5 | 10 | 15 | 20 |
| Nibble | 1 | 2 | 3 | 4 |
| lane RX0 | A-i0 ⁽¹⁾ | | | |
| lane RX1 | A-q0 | | | |
| lane RX2 | B-i0 | | | |
| lane RX3 | B-q0 | | | |

- (1) DAC A, I sample 0

表 7-15. JESD204B Frame Format for LMFSHd = 12410

| | | | | | | | | |
|-----------|----|----|----|----|----|----|----|----|
| # un bits | 4 | 8 | 12 | 16 | 20 | 24 | 28 | 32 |
| # en bits | 5 | 10 | 15 | 20 | 25 | 30 | 35 | 40 |
| Nibble | 1 | 2 | 3 | 4 | 5 | 6 | 7 | 8 |
| lane RX0 | i0 | | | | q0 | | | |

表 7-16. JESD204B Frame Format for LMFSHd = 24410

| | | | | | | | | |
|-----------|---------------------|----|----|----|------|----|----|----|
| # un bits | 4 | 8 | 12 | 16 | 20 | 24 | 28 | 32 |
| # en bits | 5 | 10 | 15 | 20 | 25 | 30 | 35 | 40 |
| Nibble | 1 | 2 | 3 | 4 | 5 | 6 | 7 | 8 |
| lane RX0 | A-i0 ⁽¹⁾ | | | | A-q0 | | | |
| lane RX1 | B-i0 | | | | B-q0 | | | |

- (1) DAC A, I sample 0

表 7-17. JESD204B Frame Format for LMFSHd = 44210

| | | | | |
|-----------|----------------------|----|----|----|
| # un bits | 4 | 8 | 12 | 16 |
| # en bits | 5 | 10 | 15 | 20 |
| Nibble | 1 | 2 | 3 | 4 |
| lane RX0 | A1-i0 ⁽¹⁾ | | | |
| lane RX1 | A1-q0 ⁽²⁾ | | | |
| lane RX2 | A2-i0 | | | |
| lane RX3 | A2-q0 | | | |

- (1) DAC A, MultiDUC 1, I sample 0

(2) DAC A, MultiDUC 2, I sample 0

表 7-18. JESD204B Frame Format for LMFSHd = 88210

| # un bits | 4 | 8 | 12 | 16 |
|-----------|----------------------|----|----|----|
| # en bits | 5 | 10 | 15 | 20 |
| Nibble | 1 | 2 | 3 | 4 |
| lane RX0 | A1-i0 ⁽¹⁾ | | | |
| lane RX1 | A1-q0 | | | |
| lane RX2 | A2-i0 | | | |
| lane RX3 | A2-q0 | | | |
| lane RX4 | B1-i0 | | | |
| lane RX5 | B1-q0 | | | |
| lane RX6 | B2-i0 | | | |
| lane RX7 | B1-q0 | | | |

(1) DAC A, MultiDUC 1, I sample 0

表 7-19. JESD204B Frame Format for LMFSHd = 24410

| # un bits | 4 | 8 | 12 | 16 | 20 | 24 | 28 | 32 |
|-----------|----------------------|----|----|----|-------|----|----|----|
| # en bits | 5 | 10 | 15 | 20 | 25 | 30 | 35 | 40 |
| Nibble | 1 | 2 | 3 | 4 | 5 | 6 | 7 | 8 |
| lane RX0 | A1-i0 ⁽¹⁾ | | | | A1-q0 | | | |
| lane RX1 | A2-i0 | | | | A2-q0 | | | |

(1) DAC A, MultiDUC 1, I sample 0

表 7-20. JESD204B Frame Format for LMFSHd = 48410

| # un bits | 4 | 8 | 12 | 16 | 20 | 24 | 28 | 32 |
|-----------|----------------------|----|----|----|-------|----|----|----|
| # en bits | 5 | 10 | 15 | 20 | 25 | 30 | 35 | 40 |
| Nibble | 1 | 2 | 3 | 4 | 5 | 6 | 7 | 8 |
| lane RX0 | A1-i0 ⁽¹⁾ | | | | A1-q0 | | | |
| lane RX1 | A2-i0 | | | | A2-q0 | | | |
| lane RX2 | B1-i0 | | | | B1-q0 | | | |
| lane RX3 | B2-i0 | | | | B2-q0 | | | |

(1) DAC A, MultiDUC 1, I sample 0

表 7-21. JESD204B Frame Format for LMFSHd = 24310

| # un bits | 4 | 8 | 12 | 16 | 20 | 24 |
|-----------|----------------------|----|----|----|-------|----|
| # en bits | 5 | 10 | 15 | 20 | 25 | 30 |
| Nibble | 1 | 2 | 3 | 4 | 5 | 6 |
| lane RX0 | A1-i0 ⁽¹⁾ | | | | A1-q0 | |
| lane RX1 | A2-i0 | | | | A2-q0 | |

(1) DAC A, MultiDUC 1, I sample 0

表 7-22. JESD204B Frame Format for LMFSHd = 48310

| # un bits | 4 | 8 | 12 | 16 | 20 | 24 |
|-----------|----------------------|----|----|----|-------|----|
| # en bits | 5 | 10 | 15 | 20 | 25 | 30 |
| Nibble | 1 | 2 | 3 | 4 | 5 | 6 |
| lane RX0 | A1-i0 ⁽¹⁾ | | | | A1-q0 | |
| lane RX1 | A2-i0 | | | | A2-q0 | |
| lane RX2 | B1-i0 | | | | B1-q0 | |

表 7-22. JESD204B Frame Format for LMFSHd = 48310 (続き)

| # un bits | 4 | 8 | 12 | 16 | 20 | 24 |
|-----------|-------|----|----|-------|----|----|
| # en bits | 5 | 10 | 15 | 20 | 25 | 30 |
| Nibble | 1 | 2 | 3 | 4 | 5 | 6 |
| lane RX3 | B2-i0 | | | B2-q0 | | |

(1) DAC A, MultiDUC 1, I sample 0

7.3.7 SYNC Interface

The DAC38RFxx JESD204B interface has two differential $\overline{\text{SYNC}}$ outputs called $\overline{\text{SYNC0}}$ and $\overline{\text{SYNC1}}$ to support one or two links. Alternatively, GPO0 and GPO1 can be used to output $\overline{\text{SYNC}}$ as a single-ended CMOS level. Each of the differential or CMOS outputs is enabled by a 2-bit register (fields GPO0_SEL, GPO1_SEL, SYNC0B_SEL, SYNC1B_SEL in register IO_CONFIG 8.5.2), with bit 0 enabling multi-DUC1 $\overline{\text{SYNC}}$ and bit 1 enabling multi-DUC2 $\overline{\text{SYNC}}$. If both are enabled, the SYNC\ signals are OR'ed.

The $\overline{\text{SYNC}}$ signal can be asserted low by the receiver either to make a synchronization request to initialize/reinitialize the link or to report an error to the transmitter. Synchronization requests must have a minimum duration of five frames plus nine octets rounded up to the nearest whole number of frames. To report an error, the $\overline{\text{SYNC}}$ signal is asserted for exactly two frames. The transmitter interprets any negative edge of its $\overline{\text{SYNC}}$ input as an error and any $\overline{\text{SYNC}}$ assertion lasting four frames or longer as a synchronization request. See the following sections in the standard for more details.

- 7.6.3 Errors requiring re-initialization
- 7.6.4 Error reporting through $\overline{\text{SYNC}}$ interface
- 8.4 $\overline{\text{SYNC}}$ signal decoding

7.3.8 Single or Dual Link Configuration

The DAC38RFxx JESD204B interface can be configured with one or two links. The advantage of using two links, one for each DAC, is that one link can be re-established without affecting the other link and DAC.

The configuration for each mode of operation are:

1. Dual DAC, dual link
 - a. Program fields OCTETPATH0_SEL to OCTETPATH7_SEL in multi-DUC paged registers JESD_CROSSBAR1 (8.5.57) and JESD_CROSSBAR2 (8.5.58) so that each multi-DUC will pick data off of the appropriate SerDes lane.
 - b. Appropriate bits in field LANE_ENA in multi-DUC paged register JESD_LN_EN (8.5.45) must be set for each multi-DUC enable the lanes used.
 - c. Field ONE_DAC_ONLY in register RESET_CONFIG (8.5.1) should be '0' (default).
2. Dual DAC, single link
 - a. Program OCTETPATH0_SEL to OCTETPATH7_SEL in multi-DUC paged registers JESD_CROSSBAR1 (8.5.57) and JESD_CROSSBAR2 (8.5.58) so that each multi-DUC will pick data off the appropriate SerDes lane.
 - b. Appropriate bits in field LANE_ENA in multi-DUC paged register JESD_LN_EN (8.5.45) must be set for each multi-DUC enable the lanes used.
 - c. Set field ONE_LINK_ONLY to '1' to configure TXENABLE output.
3. Single DAC, single link
 - a. Set Field ONE_DAC_ONLY in register RESET_CONFIG (8.5.1) to '1' to gate clocks to unused multi-DUC2 for power savings.
 - b. ONE_LINK_ONLY bit does not matter in this case.

7.3.9 Multi-Device Synchronization

In many applications, such as multi antenna systems where the various transmit channels information is correlated, it is required that the latency across the link is deterministic and multiple DAC devices are completely synchronized such that their outputs are phase aligned. The DAC38RFxx achieves the deterministic latency using SYSREF (JESD204B Subclass 1).

SYSREF is generated from the same clock domain as DACCLK. After having resynchronized its local multiframe clock (LMFC) to SYSREF, the DAC will request a link re-initialization through SYNC interface. Processing of the signal on the SYSREF input can be enabled and disabled through the SPI interface.

The SYSREF capture circuit and the timing requirements relative to device clock are described in [SYSREF Capture Circuit](#).

7.3.10 SYSREF Capture Circuit

The JESD204B standard for Device Subclass 1 introduces a SYSREF signal that can be used as a global timing reference to align the phase of the internal local multiframe clock (LMFC) and frame clock across multiple devices. This allows the system to achieve deterministic latency and align data samples across several data converters. The SYSREF signal accomplishes this goal by identifying a device clock edge for each chip that can be used as an alignment reference. In particular, the LMFC and frame clock align to the device clock edge upon which the SYSREF transition from “0” to “1” is sampled. SYSREF may be periodic, one-shot, or “gapped” periodic and its period must be a multiple of the LMFC period.

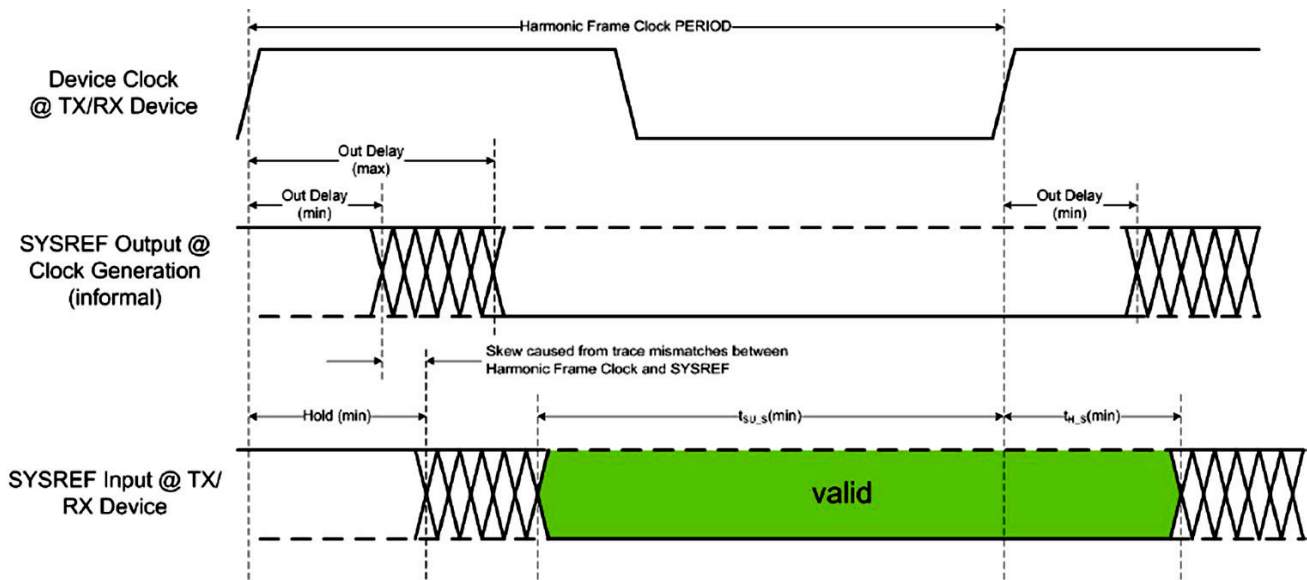


図 7-10. SYSREF Signal Timing

With high-speed device clocks, the phase of the SYSREF signals relative to the device clock must meet the setup/hold time requirements of each individual device clock. Historically, this has been done by controlling the board-level routing delay and/or employing commercial clock distribution capable of generating device clocks and SYSREF signals with programmable delays and with the option of splitting SYSREF into multiple SYSREFS, each with its own fine-tuned delay. Since the DAC38RFxx family supports device clock frequencies up to 9 GHz, a SYSREF capture circuit is included in the DAC38RFxx that allows a relaxation in meeting the device clock setup and hold.

The SYSREF capture circuit provides:

- tolerance to manufacturing and environmental variations in SYSREF phase
- immunity to sampling errors due to setup/hold/meta-stability
- information about phase of SYSREF relative to DAC clock inside the data converter

- software compensation for phase misalignment due to PCB design errors

The concepts behind the SYSREF capture scheme are illustrated in [Figure 7-11](#).

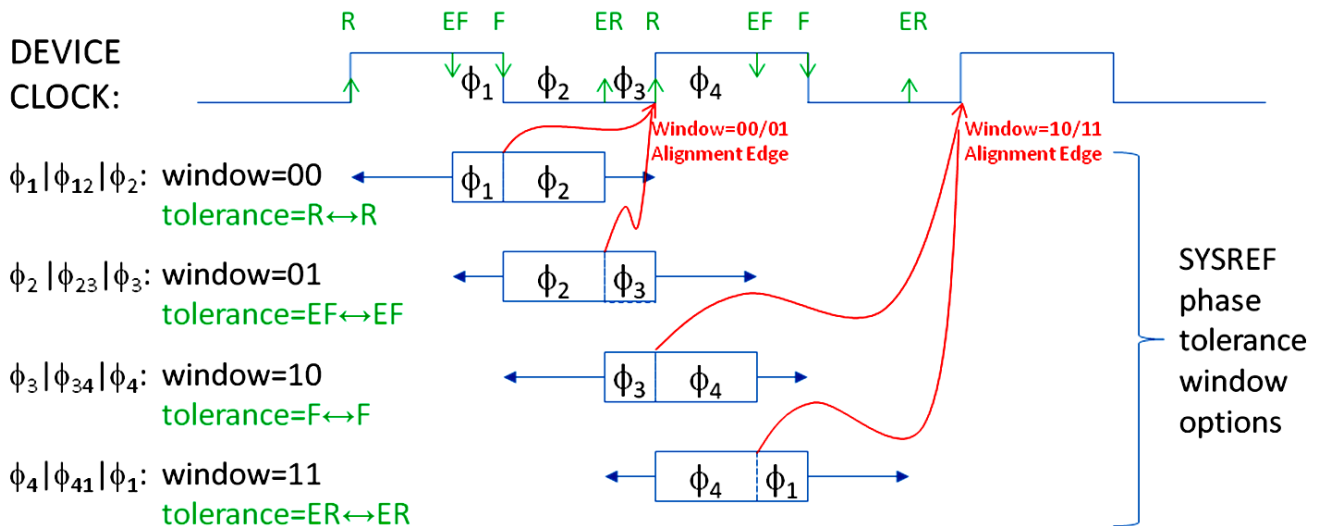


Figure 7-11. SYSREF Capture Strategy and Phase Tolerance Windows

To understand [Figure 7-11](#), to begin with we'll ignore the SYSREF phase tolerance windows in the lower portion of the figure and focus on the blue clock waveform at the top of the figure. This waveform represents the device clock input to a particular DAC chip. The green arrows, labeled "R" and "F", correspond to the rising and falling edges of this clock (ignoring for the moment the additional arrows labeled "ER" and "EF"). Lower frequency devices captured SYSREF only on the rising edge of the device clock, the new scheme samples SYSREF on the falling edge as well, which provides more flexibility when optimizing the setup and hold time of the SYSREF capture path. Moreover, each time a rising SYSREF edge is captured, the chip remembers the clock phase during which the event occurred, and the system designer can later read back the phase information to observe the SYSREF timing relative to the device clock at the internal capture point. If SYSREF transitions close to the rising or falling clock edge sampling points the capture flop setup and hold time may not be met and the observed phase may be unreliable and subject to meta-stability phenomenon.

To reduce the sensitivity to setup/hold/meta-stability concerns an "early" version of the device clock is generated within the DAC and additional SYSREF samples are taken at the "early falling" and "early rising" edges of the clock (labeled "EF" and "ER", respectively, in [Figure 7-11](#)). The resulting set of four samples is used to narrow down the timing of the rising SYSREF edge to one of four possible clock phases. If the rising SYSREF transition takes place between the "EF" and "F" samples, then SYSREF is said to occur in phase θ_1 . Similarly, if it takes place between the "F" and "ER" samples, then it is said to occur in phase θ_2 . If SYSREF transitions between the "ER" and "R" samples, then it is said to occur in phase θ_3 . And, finally, if the SYSREF rising edge event happens between the "R" and "EF" samples, then it is said to occur in phase θ_4 . As mentioned before, the chip remembers all observed SYSREF phases and the user can later read them back. Since the delay between "early" and "on time" versions of the clock is intentionally chosen to be larger than the setup/hold/meta-stability window, at most one of the four samples can be affected even when the SYSREF transitions right at one of the four sampling points. Thus, the uncertainty in the observed SYSREF timing is limited to adjacent phases, and with twice as many sampling phases the resolution of the timing information is improved by a factor of two.

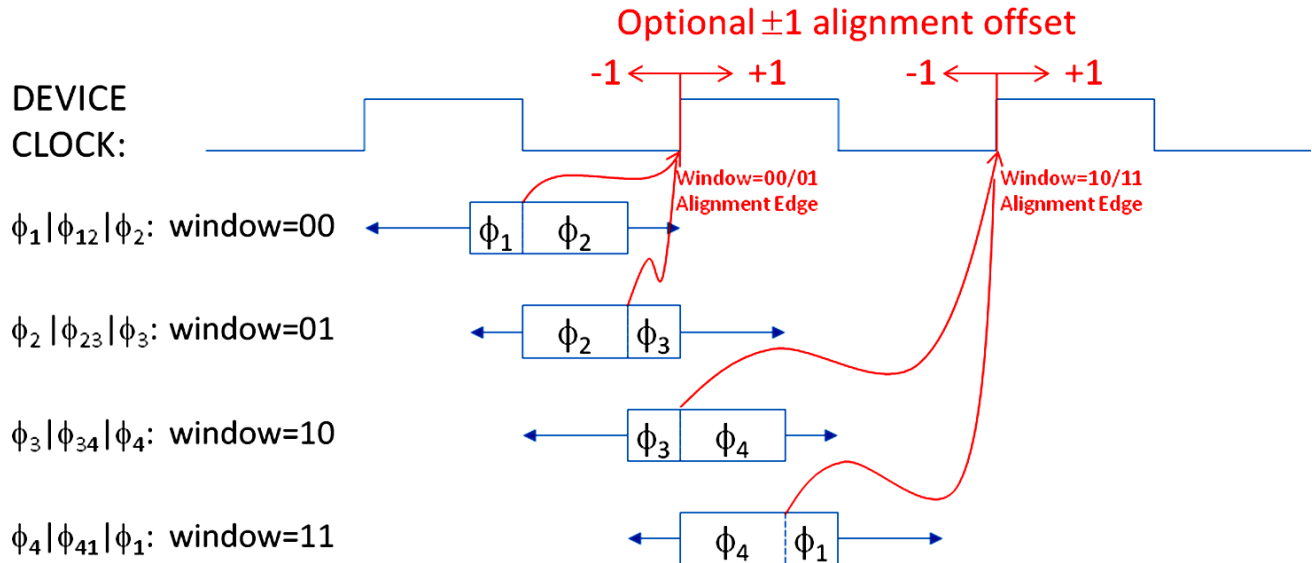
Referring to the lower portion of [Figure 7-11](#), the user can now see how this information regarding the observed SYSREF phases is used to devise a reliable SYSREF capture methodology with a high degree of tolerance to manufacturing and environmental variations in SYSREF phase. Based on the SYSREF phases observed for a particular DAC chip during system characterization, the system designer can select one of four so-called "phase tolerance window" options (denoted "00", "01", "10", and "11") to maximize immunity to manufacturing and

environmental variations. For example, consider the default phase tolerance window labeled “window=00” in the figure. If, during characterization, the system designer observes (by reading back the recorded phase observations) that the rising SYSREF edge nominally occurs in either θ_1 or θ_2 or both (that is, θ_{12}) then he would program that particular DAC chip to use phase tolerance window “00”. This mapping is indicated in the figure with the label “ $\theta_1|\theta_{12}|\theta_2$: window=00”. Having programmed the device to use window “00”, all future SYSREF events that occur in θ_1 or θ_2 would trigger the LMFC and frame clock to be aligned using the following rising clock edge as the alignment reference (as indicated by the red arrow pointing to rising clock edge “R” and labeled “Window=00/01 alignment edge”).

The full extent of each phase tolerance window is indicated in the figure using “box and whisker” plots. For the “window=00” example, the “box” portion of the plot indicates that the phase tolerance window is centered on θ_{12} (to be precise on the boundary between θ_1 and θ_2) and the “whisker” portion indicates that even if the rising edge of SYSREF occurs as early as the preceding θ_4 or as late as the following θ_3 it still results in LMFC and frame clock alignment to the same rising clock edge indicated by the red arrow labeled “Window=00/01 alignment edge”. When programmed for phase tolerance window “00”, the DAC chip is tolerant to variations in the SYSREF timing ranging from a rising SYSREF edge that occurs just after one rising edge of clock to just before the next rising edge of the clock. The qualifying phrases “just after” and “just before” are used here to indicate that the SYSREF transition must occur far enough away from the rising edges of the clock to avoid setup/hold violations and prevent the device from concluding that the SYSREF transition has crossed out off the phase tolerance window when in fact it has not. The tolerance range for window “00” is from rising clock edge to rising clock edge and is indicated in the figure by the green text labeled “tolerance = R \leftrightarrow R”.

Following the above example, if characterization reveals SYSREF timing centered on θ_{23} then phase tolerance window “01” (with tolerance for SYSREF rising edge events from EF to EF) should be chosen. Notice that this option is tolerant even to rising SYSREF edges that occur after the rising device clock edge (that is, in θ_4) and will treat them just as if they had occurred in one of the earlier three phases, aligning to the same rising device clock edge indicated by the red arrow labeled “Window=00/01 Alignment Edge”. This allows the system designer to tolerate PCB design errors and/or environmental and manufacturing variations – achieving his intended alignment without having to make physical changes to the board to adjust the SYSREF timing.

Similarly, if characterization indicates that SYSREF timing is centered on θ_{34} or θ_{41} then phase tolerance window “10” or “11” can be selected, resulting in tolerance for “F \leftrightarrow F” or “ER \leftrightarrow ER” SYSREF timing, respectively. Note, however, that in these two cases the alignment reference edge is by default taken to be the subsequent rising edge of the device clock. Since this may not be the desired behavior, the DAC38RFxx allows the user to program in an optional alignment offset of θ_1 if the default offset of 0 does not achieve the desired alignment. This feature is illustrated in [Figure 7-12](#) where the user can see that by setting the alignment offset to -1, phase tolerance windows “10” and “11” can be made to trigger alignment to the earlier rising device clock edge used by windows “00” and “01”. Alternatively, the window “00” and “01” alignment edge can be pushed one cycle later by setting their alignment offset to +1.



7-12. Optional SYSREF Alignment Offset

Several important controls related to SYSREF alignment and capture timing are contained in register SYSR_CAPTURE (8.5.78). For example, as mentioned before, the device is capable of monitoring the observed phases of the rising SYSREF edge events; however, to avoid unwanted noise coupling from the SYSREF circuits into the DAC output, the SYSREF monitoring circuits are disabled by default. Field SYSR_STATUS_ENA enables SYSREF status monitoring. Field SYSR_PHASE_WDW contains the phase tolerance window selected for normal operation, which is optimized during characterization. Field SYSR_ALIGN_DLY contains the control that allows the system designer to optionally offset the SYSREF alignment event by ± 1 device clock cycles. Field SYSR_STATUS_ENA enables the SYSREF capture alignment accumulation and will generate alarms when enabled. Writing a “1” to field SYSR_ALIGN_SYNC clears the accumulated SYSREF alignment statistics. The SYSREF alignment block can be bypassed completely by field SYSREF_BYPASS_ALIGN, in which case SYSREF is latched by the rising edge of DACCLK.

When field SYSR_STATUS_ENA is high the device records the phase associated with each SYSREF event for use in characterizing the SYSREF capture timing and selecting an appropriate phase tolerance window. The phase data is available in two forms. First, each of the four phases has a corresponding “sticky” alarm flag indicating which phases have been observed since the last time the register was cleared. In addition, the device also accumulates statistics on the relative number of occurrences of each phase spanning multiple SYSREF events using saturating 8-bit counters. These accumulated real-time SYSREF statistics allow us to account for time-varying effects during characterization such as potential timing differences between the 1st and Nth edges in a “gapped” SYSREF pulse train. The counters are fields PHASE1_CNT and PHASE2_CNT in register SYSREF12_CNT (8.5.10), PHASE3_CNT and PHASE4_CNT in register SYSREF34_CNT (8.5.11), and ALIGN_TO_R1_CNT and ALIGN_TO_R3_CNT in register SYSREF_ALIGN_R (8.5.9).

The accumulated SYSREF statistics can be cleared by writing ‘1’ to SYSR_ALIGN_SYNC. This sync signal affects only the SYSREF statistics monitors and does not cause a sync of any other portions of the design. Before collecting phase statistics, the user must first enable the SYSREF status monitoring logic by setting the SYSR_STATUS_ENA bit. The user must then generate a repeating SYSREF input before using SYSR_ALIGN_SYNC to clear the statistic counters. This is necessary to flush invalid data out of the status pipeline.

The “sticky” alarm flags indicating which of the four phases have been observed since the last SYSR_ALIGN_SYNC write of ‘1’ are fields ALM_SYSRPHASE1 to ALM_SYSRPHASE4 and are contained in the ALM_SYSREF_DET register (8.5.6).

7.3.11 SerDes Test Modes through Serial Programming

The DAC38RFxx supports a number of basic pattern generation and verification of SerDes through the serial interface. Three pseudo random bit stream (PRBS) sequences are available, along with an alternating 0/1 pattern and a 20-bit user-defined sequence. The $2^7 - 1$, $2^{31} - 1$ or $2^{23} - 1$ sequences implemented can often be found programmed into standard test equipment, such as a Bit Error Rate Tester (BERT). Pattern generation and verification selection is through field TESTPATT in register SRDS_CFG1 (8.5.86), as shown in 表 7-23.

表 7-23. SerDes Test Pattern Selection

| TESTPATT | EFFECT |
|----------|---|
| 000 | Test mode disabled. |
| 001 | Alternating 0/1 Pattern. An alternating 0/1 pattern with a period of 2 UI. |
| 010 | Verify $2^7 - 1$ PRBS. Uses a 7-bit LFSR with feedback polynomial $x^7 + x^6 + 1$. |
| 011 | Verify $2^{23} - 1$ PRBS. Uses an ITU O.150 conformant 23-bit LFSR with feedback polynomial $x^{23} + x^{18} + 1$. |
| 100 | Verify $2^{31} - 1$ PRBS. Uses an ITU O.150 conformant 31-bit LFSR with feedback polynomial $x^{31} + x^{28} + 1$. |
| 101 | User-defined 20-bit pattern. Uses the USR PATT IEEE1500 Tuning instruction field to specify the pattern. The default value is 0x666666. |
| 11x | Reserved. |

Pattern verification compares the output of the serial to parallel converter with an expected pattern. When there is a mismatch, the TESTFAIL bit is driven high, which can be programmed to come out the ALARM terminal by setting field DTEST in register DTEST (8.5.76) to “0011”.

7.3.12 SerDes Test Modes through IEEE 1500 Programming

DAC38RFxx also provide a number of advanced diagnostic capabilities controlled by the IEEE 1500 interface. These are:

- Accumulation of pattern verification errors;
- The ability to map out the width and height of the receive eye, known as Eye Scan;
- Real-time monitoring of internal voltages and currents;

The SerDes blocks support the following IEEE1500 instructions:

表 7-24. IEEE1500 Instruction for SerDes Receivers

| INSTRUCTION | OPCODE | DESCRIPTION |
|---------------|--------|--|
| ws_bypass | 0x00 | Bypass. Selects a 1-bit bypass data register. Use when accessing other macros on the same IEEE1500 scan chain. |
| ws_cfg | 0x35 | Configuration. Write protection options for other instructions. |
| ws_core | 0x30 | Core. Fields also accessible through dedicated core-side ports. |
| ws_tuning | 0x31 | Tuning. Fields for fine tuning macro performance. |
| ws_debug | 0x32 | Debug. Fields for advanced control, manufacturing test, silicon characterization and debug. |
| ws_unshadowed | 0x34 | Unshadowed. Fields for silicon characterization. |
| ws_char | 0x33 | Char. Fields used for eye scan. |

The data for each SerDes instruction is formed by chaining together sub-components called head, body (receiver or transmitter) and tail. DAC38RFxx uses two SerDes receiver blocks R0 and R1, each of which contains 4 receive lanes (channels), the data for each IEEE1500 instruction is formed by chaining {head, receive lane 0, receive lane 1, receive lane 2, receive lane 3, tail}. A description of bits in head, body and tail for each instruction is given as follows:

注

All multi-bit signals in each chain are packed with bits reversed for example, mpy[7:0] in ws_core head subchain is packed as {retime, enpll, mpy[0:7], vrange, lb[0:1]}. All DATA REGISTER READS from SerDes Block R0 should read 1 bit more than the desired number of bits and discard the first bit received on TDO for example,, to read 40-bit data from R0 block, 41 bits should be read off from TDO and the first bit received should be discarded. Similarly, any data written to SerDes Block R0 Data Registers should be prefixed with an extra 0.

表 7-25. ws_cfg Chain

| FIELD | DESCRIPTION |
|---------------------------------------|----------------------------|
| HEAD (STARTING FROM THE MSB OF CHAIN) | |
| RETIME | No function. |
| CORE_WE | Core chain write enable. |
| RECEIVER (FOR EACH LANE 0, 1, 2, 3) | |
| CORE_WE | Core chain write enable. |
| TUNING_WE | Tuning chain write enable. |
| DEBUG_WE | Reserved. |
| CHAR_WE | Char chain write enable. |
| UNSHADOWED_WE | Reserved. |
| TAIL (ENDING WITH THE LSB OF CHAIN) | |
| CORE_WE | Core chain write enable. |
| TUNING_WE | Tuning chain write enable. |
| DEBUG_WE | Reserved. |
| RETIME | No function. |

表 7-25. ws_cfg Chain (続き)

| FIELD | DESCRIPTION |
|------------------------|-------------|
| CHAIN LENGTH = 26 BITS | |

表 7-26. ws_core Chain

| FIELD | DESCRIPTION |
|---------------------------------------|--|
| HEAD (STARTING FROM THE MSB OF CHAIN) | |
| RETIME | No function. |
| ENPLL | PLL enable. |
| MPY[7:0] | PLL multiply. |
| VRANGE | VCO range. |
| ENDIVCLK | Enable DIVCLK output |
| LB[1:0] | Loop bandwidth |
| RECEIVER (FOR EACH LANE 0,1,2,3) | |
| ENRX | Receiver enable. |
| SLEEPRX | Receiver sleep mode. |
| BUSWIDTH[2:0] | Bus width. |
| RATE[1:0] | Operating rate. |
| INVPAIR | Invert polarity. |
| TERM[2:0] | Termination. |
| ALIGN[1:0] | Symbol alignment. |
| LOS[2:0] | Loss of signal enable. |
| CDR[2:0] | Clock/data recovery. |
| EQ[2:0] | Equalizer. |
| EQHLD | Equalizer hold. |
| ENOC | Offset compensation. |
| LOOPBACK[1:0] | Loopback. |
| BSINRXP | Boundary scan initialization. |
| BSINRXN | Boundary scan initialization. |
| RESERVED | Reserved. |
| Testpatt[2:0] | Test pattern selection. |
| TESTFAIL | Test failure (real time). |
| LOSTDCT | Loss of signal detected (real time). |
| BSRXP | Boundary scan data. |
| BSRXN | Boundary scan data. |
| OCIP | Offset compensation in progress. |
| EQOVER | Receiver signal over equalized. |
| EQUNDER | Receiver signal under equalized. |
| LOSTDCT | Loss of signal detected (sticky). |
| SYNC | Re-alignment done, or aligned comma output (sticky). |
| RETIME | No function. |
| TAIL (ENDING WITH THE LSB CHAIN) | |
| CLKBYP[1:0] | Clock bypass. |
| SLEEPPLL | PLL sleep mode. |
| RESERVED | Reserved. |
| LOCK | PLL lock (real time). |

表 7-26. ws_core Chain (続き)

| FIELD | DESCRIPTION |
|-------------------------|-------------------------------------|
| BSINITCLK | Boundary scan initialization clock. |
| ENBSTX | Enable TX boundary scan. |
| ENBSRX | Enable RX boundary scan. |
| ENBSPT | RX pulse boundary scan. |
| RESERVED | Reserved. |
| NEARLOCK | PLL near to lock. |
| UNLOCK | PLL lock (sticky). |
| CFG OVR | Configuration over-ride. |
| RETIME | No function. |
| CHAIN LENGTH = 196 BITS | |

表 7-27. ws_tuning Chain

| FIELD | DESCRIPTION |
|---------------------------------------|---|
| HEAD (STARTING FROM THE MSB OF CHAIN) | |
| RETIME | No function. |
| RECEIVER (FOR EACH LANE 0,1,2,3) | |
| PATTERRTHR[2:0] | Resync error threshold. |
| PATT TIMER | PRBS timer. |
| RXDSEL[3:0] | Status select. |
| ENCOR | Enable clear-on-read for error counter. |
| EQZERO[4:0] | EQZ OVRi Equalizer zero. |
| EQZ OVR | Equalizer zero over-ride. |
| EQLEVEL[15:0] | EQ OVRi Equalizer gain observe or set. |
| EQ OVR | Equalizer over-ride. |
| EQBOOST[1:0] | Equalizer gain boost. |
| RXASEL[2:0] | Selects amux output. |
| TAIL (ENDING WITH THE LSB CHAIN) | |
| ASEL[3:0] | Selects amux output. |
| USR PATT[19:0] | User-defined test pattern. |
| RETIME | No function. |
| CHAIN LENGTH = 174 BITS | |

表 7-28. ws_char Chain

| FIELD | DESCRIPTION |
|---------------------------------------|-----------------------------------|
| HEAD (STARTING FROM THE MSB OF CHAIN) | |
| RETIME | No function. |
| RECEIVER (FOR EACH LANE 0,1,2,3) | |
| TESTFAIL | Test failure (sticky). |
| ECOUNT[11:0] | Error counter. |
| ESWORD[7:0] | Eye scan word masking. |
| ES[3:0] | Eye scan. |
| ESPO[6:0] | Eye scan phase offset. |
| ES BIT SELECT[4:0] | Eye scan compare bit select. |
| ESVO[5:0] | Eye scan voltage offset. |
| ESVO OVR | Eye scan voltage offset override. |

表 7-28. ws_char Chain (続き)

| FIELD | DESCRIPTION |
|----------------------------------|----------------------|
| ESLEN[1:0] | Eye scan run length. |
| ESRUN | Eye scan run. |
| ESDONE | Eye scan done. |
| TAIL (ENDING WITH THE LSB CHAIN) | |
| RETIME | No function. |
| CHAIN LENGTH = 194 BITS | |

7.3.13 Error Counter

All receive channels include a 12-bit counter for accumulating pattern verification errors. This counter is accessible through the ECOUNT IEEE1500 Char field. It is an essential part of the eye scan capability (see the [Eye Scan](#) section).

The counter increments once for every cycle that the TESTFAIL bit is detected. The counter does not increment when at its maximum value (that is, all 1s). When an IEEE1500 capture is performed, the count value is loaded into the ECOUNT scan elements (so that it can be scanned out), and the counter is then reset, provided NCOR is set high.

ECOUNT can be used to get a measure of the bit error rate. However, as the error rate increases, it becomes less accurate due to limitations of the pattern verification capabilities. Specifically, the pattern verifier checks multiple bits in parallel (as determined by the Rx bus width), and it is not possible to distinguish between 1 or more errors.

7.3.14 Eye Scan

All receive channels provide features which facilitate mapping the received data eye or extracting a symbol response. A number of fields accessible through the IEEE1500 Char scan chain allow the required low level data to be gathered. The process of transforming this data into a map of the eye or a symbol response must then be performed externally, typically in software.

The basic principle used is as follows:

- Enable dedicated eye scan input samplers, and generate an error when the value sampled differs from the normal data sample;
- Apply a voltage offset to the dedicated eye scan input samplers, to effectively reduce their sensitivity;
- Apply a phase offset to adjust the point in the eye that the dedicated eye scan data samples are taken;
- Reset the error counter to remove any false errors accumulated as a result of the voltage or phase offset adjustments;
- Run in this state for a period of time, periodically checking to see if any errors have occurred;
- Change voltage and/or phase offset, and repeat.

Alternatively, the algorithm can be configured to optimize the voltage offset at a specified phase offset, over a specified time interval.

Eye scan can be used in both synchronous and asynchronous systems, while receiving normal data traffic. The IEEE1500 Char fields used to directly control eye scan and symbol response extraction are ES, ESWORD, ES BIT SELECT, ESLEN, ESPO, ESVO, ESVO OVR, ESRUN and ESDONE. Eye scan errors are accumulated in ECOUNT.

The required eye scan mode is selected through the ES field, as shown in [表 7-29](#). When enabled, only data from the bit position within the 20-bit word specified through ES BIT SELECT is analyzed. In other words, only eye scan errors associated with data output at this bit position will accumulate in ECOUNT. The maximum legal ES BIT SELECT is 10011.

表 7-29. Eye Scan Mode Selection

| ES[3:0] | EFFECT |
|--------------|---|
| 0000 | Disabled. Eye scan is disabled. |
| 0x01 | Compare. Counts mismatches between the normal sample and the eye scan sample if ES[2] = 0, and matches otherwise. |
| 0x10 | Compare zeros. As ES = 0x01, but only analyses zeros, and ignores ones. |
| 0x11 | Compare ones. As ES = 0x01, but only analyses ones, and ignores zeroes. |
| 0100 | Count ones. Increments ECOUNT when the eye scan sample is a 1. |
| 1x00 | Average. Adjusts ESVO to the average eye opening over the time interval specified by ESLEN. Analyses zeroes when ES[2] = 0, and ones when ES[2] = 1. |
| 1001 1110 | Outer. Adjusts ESVO to the outer eye opening (that is, lowest voltage zero, highest voltage 1) over the time interval specified by ESLEN. 1001 analyses zeroes, 1110 analyses ones. |
| 1010 1101 | Inner. Adjusts ESVO to the inner eye opening (that is, highest voltage zero, lowest voltage 1) over the time interval specified by ESLEN. 1010 analyses zeroes, 1101 analyses ones. |
| 1x11 | Timed Compare. As ES = 001x, but analyses over the time interval specified by ESLEN. Analyses zeroes when ES[2] = 0, and ones when ES[2] = 1. |

When ES[3] = 0, the selected analysis runs continuously. However, when ES[3] = 1, only the number of qualified samples specified by ESLED, as shown in 表 7-30. In this case, analysis is started by writing a 1 to ESRUN (it is not necessary to set it back to 0). When analysis completes, ESDONE is set to 1.

表 7-30. Eye Scan Run Length

| ESLen | NUMBER OF SAMPLES ANALYZED |
|-------|----------------------------|
| 00 | 127 |
| 01 | 1023 |
| 10 | 8095 |
| 11 | 65535 |

When ESVO OVR = 1, the ESVO field determines the amount of offset voltage that is applied to the eye scan data samplers associated with rxpi and rxni. The amount of offset is variable between 0 and 300 mV in increments of ~10 mV, as shown 表 7-31. When ES[3] = 1, ESVO OVR must be 0 to allow the optimized voltage offset to be read back through ESVO.

表 7-31. Eye Scan Voltage Offset

| ESVO | OFFSET (mV) |
|--------|-------------|
| 100000 | -310 |
| ... | ... |
| 111110 | -20 |
| 111111 | -10 |
| 000000 | 0 |
| 000001 | 10 |
| 000010 | 20 |
| ... | ... |
| 011111 | 300 |

The phase position of the samplers associated with rxpi and rxni, is controlled to a precision of 1/32UI. When ES is not 00, the phase position can be adjusted forwards or backwards by more than one UI using the ESPO field, as shown in 表 7-32. In normal use, the range should be limited to ±0.5 UI (+15 to –16 phase steps).

表 7-32. Eye Scan Phase Offset

| ESPO | OFFSET (1/32 UI) |
|--------|------------------|
| 011111 | +63 |
| ... | ... |
| 000001 | +1 |
| 000000 | 0 |
| 111111 | -1 |
| ... | ... |
| 100000 | -64 |

7.3.15 JESD204B Pattern Test

The DAC38RFxx supports the following test patterns for JESD204B:

- Link layer test pattern by setting field JESD_TEST_SEQ in register JESD_LN_EN (7.5.45) and monitoring the lane alarms (1 = fail, 0 = pass)
 - Verify repeating /D.21.5/ high frequency pattern for random jitter (RJ)
 - Verify repeating /K.28.5/ mixed frequency pattern for deterministic jitter (DJ)
 - Verify repeating initial lane alignment (ILA) sequence
- RPAT, JSPAT or JTSPAT pattern can be verified using errors counter of 8b/10b errors produced over an amount of time to get an estimate of BER.
- Transport layer test pattern: implements a short transport layer pattern check based on F = 1, 2, 4 or 8. The short test pattern has a duration of one frame period and is repeated continuously for the duration of the test. Each sample has a unique value that can be identified with the position of the sample in the user data format. The sample values are such that correct sample values will never be decoded at the receiver if there is a mismatch between the mapping formats being used at the transmitter and receiver devices. This can generally be accomplished by ensuring there are no repeating sub patterns within the stream of samples being transmitted. Refer to the JESD204B standard section 5.1.6 for more details.

The DAC38RFxx expects the test samples, in a frame, transmitted by an logic device as per 表 7-33:

表 7-33. Short Test Patterns

| JESD Mode | i0 | q0 | i1 | q1 |
|-----------|---|------------|------|------|
| 82121 | 7CB8, F431 | 6DA9, E520 | n/a | n/a |
| 42111 | 7CB8 | F431 | n/a | n/a |
| 22210 | 7CB8 | F431 | n/a | n/a |
| 12410 | 7CB8 | F431 | n/a | n/a |
| 44210 | 7CB8 | F431 | 6DA9 | E520 |
| 24410 | 7CB8 | F431 | 6DA9 | E520 |
| 41121 | 7CB8, F431 | n/a | n/a | n/a |
| 81180 | 7C00, B800, F400, 3100, 6D00, A900, E500, 2000 | n/a | n/a | n/a |
| 24310 | 7CB0 | F430 | 6DA0 | E520 |
| 41380 | 7CB0, F430, 6DA0, E520, F870, E960, DA50, CB40 | n/a | n/a | n/a |


The short test pattern has duration of one frame period and is repeated continuously for the duration of the test. Each sample has a unique value that can be identified with the position of the sample in the user data format. The sample values are such that correct sample values will never be decoded at the receiver if there is a mismatch between the mapping formats being used at the transmitter and receiver devices. This can generally be accomplished by ensuring there are no repeating sub patterns within the stream of samples being transmitted.

Following are the steps required to execute the short test functionality in DAC38RFxx.

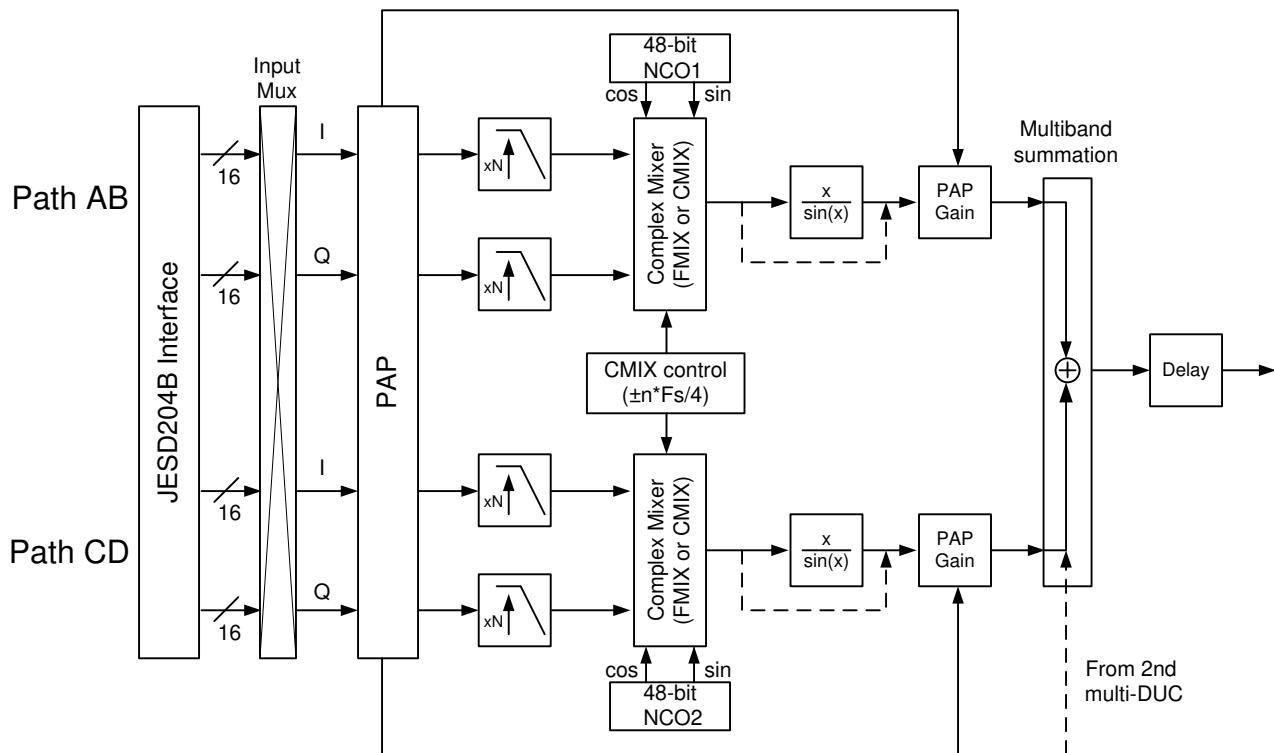
1. Configure other registers, make sure clocks are up and running.
2. Start driving short test patterns
3. Clear short test alarm by writing '0' to field ALM_FROM_SHORTTEST in register ALM_SYSREF_PAP (7.5.67). This is a paged register, one for each Multi-DUC.
4. Enable short test by writing a '1' to field SHORTTEST_ENA in register MULTIDUC_CFG2 (7.5.14).
5. Read the short test alarm from field ALM_FROM_SHORTTEST in register ALM_SYSREF_PAP (7.5.67). This is a paged register, one for each Multi-DUC

If the alarm read from the register is high, the short test has detected an error.

7.3.16 Multiband DUC (multi-DUC)

Each DAC output in the DAC38RFxx is supported by a dual band digital upconverter (DUC), which is called a multi-DUC.  7-13 shows the signal processing features of each of the two multi-DUCs. The two paths are identical and independent. The SPI interface registers for the multi-DUCs are addressed through paging, with page 0 supporting multi-DUC1 and page 1 supporting multi-DUC2. Register PAGE_SET (7.5.8) is used to set the pages. Both pages can be selected at the same time to program both multi-DUCs simultaneously with the same settings.

Each multi-DUC has 2 DUC channels, called path AB and path CD. The output of one multi-DUC can be added to the signal of the other multi-DUC to allow a configuration with 4 total DUCs summed together for 1 DAC. After quadrature modulation is a $\sin(x)/x$ compensation filter, followed by the multiband summation block. The multiband summation block had the ability to add the signals from the other multi-DUC for a combined 4 DUCs, each with independent frequency control. The final block is an output delay block with 0 – 15 sample range.



 7-13. DAC38RFxx multi-DUC Signal Processing Block Diagram

7.3.16.1 Multi-DUC input

Each multi-DUC, accepts data from up to 8 SerDes lanes. A crossbar switch allows any SerDes lane to be mapped to any other SerDes lane. The crossbar switch is controlled by fields OCTETPATHx_SEL ($x = [0..7]$) in Registers JESD_CROSSBAR1 (7.5.57) and JESD_CROSSBAR2 (7.5.58).

As shown in 表 7-9, the multiband DUC can be configured as either a single DUC with 1 IQ input, or a dual DUC with 2 IQ inputs, which is selected by asserting field DUAL_IQ in register MULTIDUC_CFG1 (7.5.13).

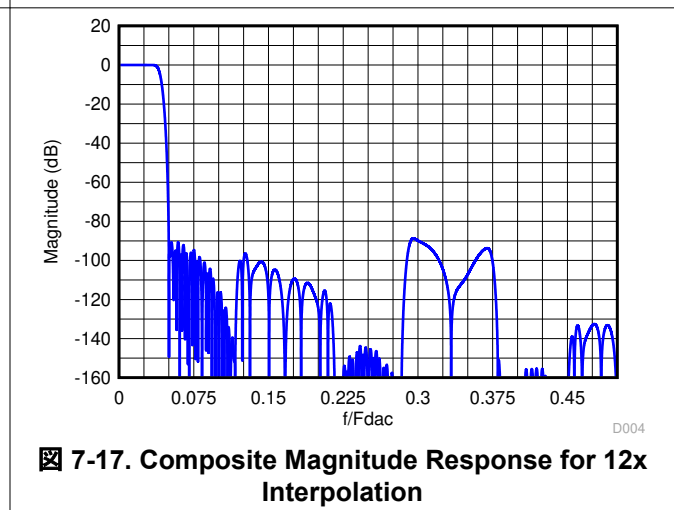
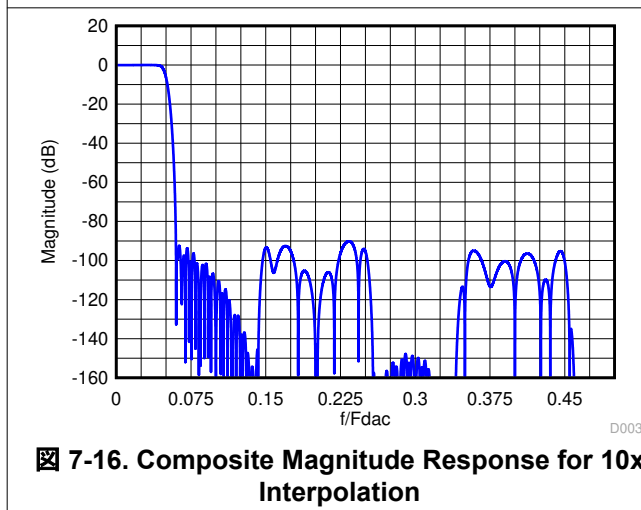
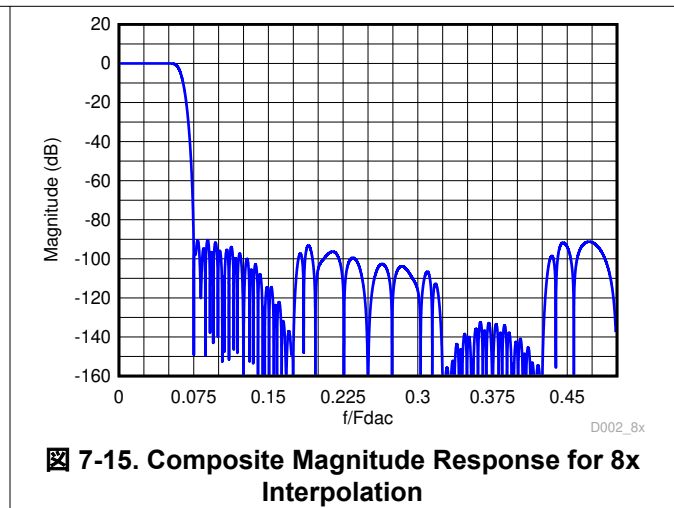
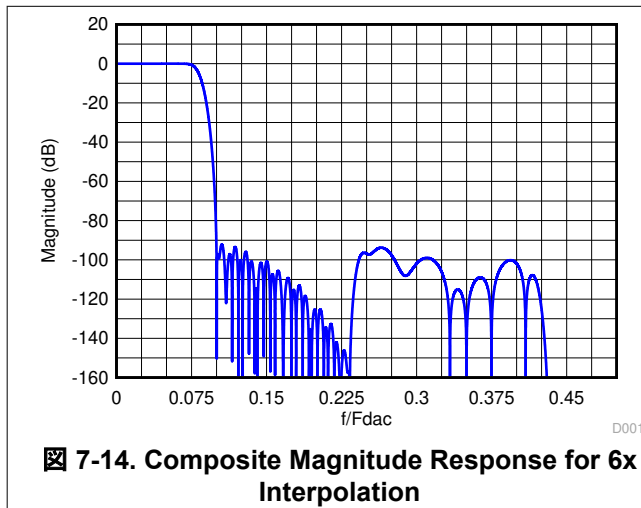
7.3.16.2 Interpolation Filters

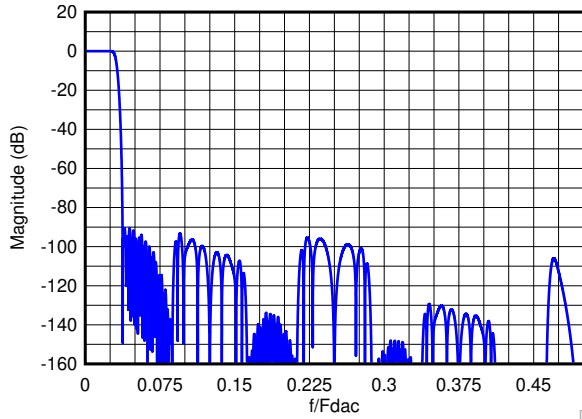
The digital upconverter first increases the sample rate of the IQ signal from the input sample rate to the final DAC sample rate through a series of interpolation filters. Different sets of filters are used to achieve different rates, as shown in 表 7-34. The interpolation rate is selected by field INTERP in register MULTIDUC_CFG1 (7.5.13).

表 7-34. FIR filters Used for Different Interpolation Rates

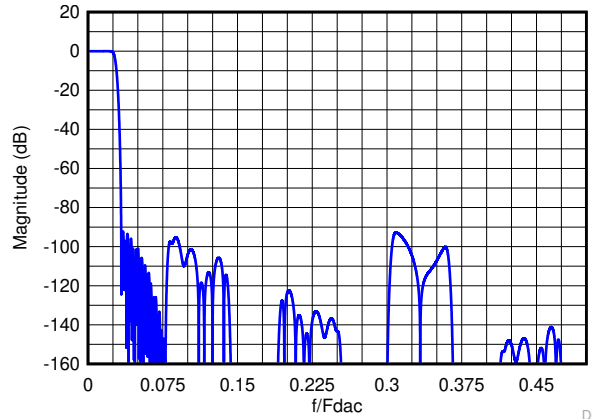
| Interpolation Rate | FILTERS USED | | | | | | |
|--------------------|--------------|-----------|-----------|-----------|-----------|-----------|-----------|
| | FIR0 (2x) | FIR1 (2x) | LPFIR0_5X | FIR2 (2x) | LPFIR0_3X | FIR3 (2x) | LPFIR1_3X |
| 6 | x | | | | x | | |
| 8 | x | x | | x | | | |
| 10 | x | | x | | | | |
| 12 | x | x | | | | | x |
| 16 | x | x | | x | | x | |
| 18 | x | | | | x | | x |
| 20 | x | x | x | | | | |
| 24 | x | x | | x | | | x |

The FIR filter coefficients are shown in 表 7-35 The FIR filters are design with a passband BW of $0.4 \times f_{INPUT}$, a stopband attenuation of 90 dBc and ripple of < 0.001 dB. The composite frequency response for each interpolation factor are shown in 図 7-14 to 図 7-21.

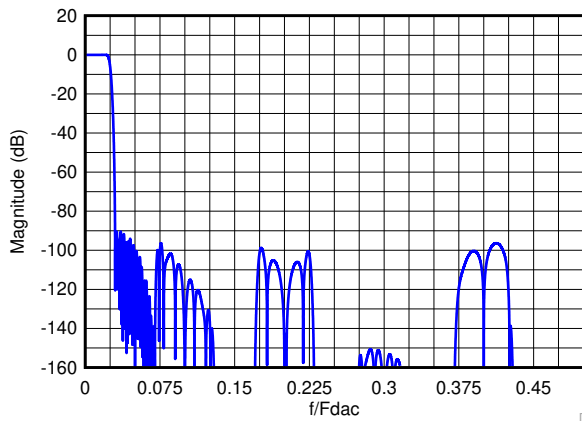




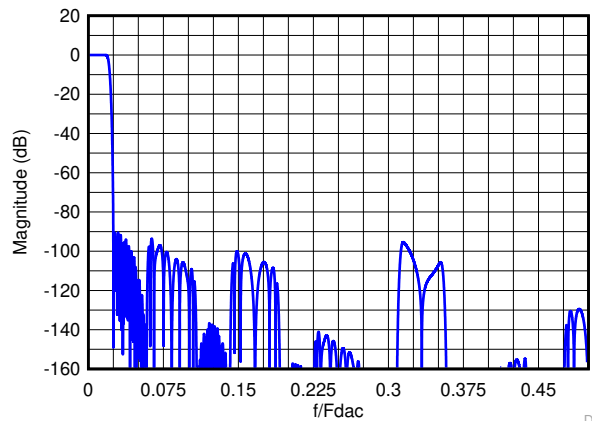
7-18. Composite Magnitude Response for 16x Interpolation



7-19. Composite Magnitude Response for 18x Interpolation



7-20. Composite Magnitude Response for 20x Interpolation



7-21. Composite Magnitude Response for 24x Interpolation

表 7-35. FIR Filter Coefficients

| tap | FIR0 | FIR1 | LPFIR0_5X | FIR2 | LPFIR0_3X | FIR3 | LPFIR1_3X | INVSINC |
|-----|------|-------|-----------|------|-----------|------|-----------|---------|
| 1 | 6 | -12 | -6 | 29 | -14 | 3 | 25 | 1 |
| 2 | 0 | 0 | -22 | 0 | -61 | 0 | 88 | -4 |
| 3 | -19 | 84 | -51 | -214 | -125 | -25 | 22 | 13 |
| 4 | 0 | 0 | -89 | 0 | -95 | 0 | -576 | -50 |
| 5 | 47 | -336 | -117 | 1209 | 181 | 150 | -1764 | 592 |
| 6 | 0 | 0 | -106 | 2048 | 681 | 256 | -2263 | -50 |
| 7 | -100 | 1006 | -18 | 1209 | 972 | 150 | 491 | 13 |
| 8 | 0 | 0 | 171 | 0 | 347 | 0 | 8139 | -4 |
| 9 | 192 | -2691 | 449 | -214 | -1475 | -25 | 18625 | 1 |
| 10 | 0 | 0 | 745 | 0 | -3519 | 0 | 26365 | |
| 11 | -342 | 10141 | 930 | 29 | -3528 | 3 | 26365 | |
| 12 | 0 | 16384 | 841 | | 707 | | 18625 | |
| 13 | 572 | 10141 | 338 | | 9337 | | 8139 | |
| 14 | 0 | 0 | -618 | | 19445 | | 491 | |
| 15 | -914 | -2691 | -1892 | | 26299 | | -2263 | |
| 16 | 0 | 0 | -3147 | | 26299 | | -1764 | |
| 17 | 1409 | 1006 | -3872 | | 19445 | | -576 | |
| 18 | 0 | 0 | -3500 | | 9337 | | 22 | |

表 7-35. FIR Filter Coefficients (続き)

| tap | FIR0 | FIR1 | LPFIR0_5X | FIR2 | LPFIR0_3X | FIR3 | LPFIR1_3X | INVSINC |
|-----|--------|------|-----------|------|-----------|------|-----------|---------|
| 19 | -2119 | -336 | -1564 | | 707 | | 88 | |
| 20 | 0 | 0 | 2121 | | -3528 | | 25 | |
| 21 | 3152 | 84 | 7336 | | -3519 | | | |
| 22 | 0 | 0 | 13430 | | -1475 | | | |
| 23 | -4729 | -12 | 19426 | | 347 | | | |
| 24 | 0 | | 24231 | | 972 | | | |
| 25 | 7420 | | 26904 | | 681 | | | |
| 26 | 0 | | 26904 | | 181 | | | |
| 27 | -13334 | | 24231 | | -95 | | | |
| 28 | 0 | | 19426 | | -125 | | | |
| 29 | 41527 | | 13430 | | -61 | | | |
| 30 | 65536 | | 7336 | | -14 | | | |
| 31 | 41527 | | 2121 | | | | | |
| 32 | 0 | | -1564 | | | | | |
| 33 | -13334 | | -3500 | | | | | |
| 34 | 0 | | -3872 | | | | | |
| 35 | 7420 | | -3147 | | | | | |
| 36 | 0 | | -1892 | | | | | |
| 37 | -4729 | | -618 | | | | | |
| 38 | 0 | | 338 | | | | | |
| 39 | 3152 | | 841 | | | | | |
| 40 | 0 | | 930 | | | | | |
| 41 | -2119 | | 745 | | | | | |
| 42 | 0 | | 449 | | | | | |
| 43 | 1409 | | 171 | | | | | |
| 44 | 0 | | -18 | | | | | |
| 45 | -914 | | -106 | | | | | |
| 46 | 0 | | -117 | | | | | |
| 47 | 572 | | -89 | | | | | |
| 48 | 0 | | -51 | | | | | |
| 49 | -342 | | -22 | | | | | |
| 50 | 0 | | -6 | | | | | |
| 51 | 192 | | | | | | | |
| 52 | 0 | | | | | | | |
| 53 | -100 | | | | | | | |
| 54 | 0 | | | | | | | |
| 55 | 47 | | | | | | | |
| 56 | 0 | | | | | | | |
| 57 | -19 | | | | | | | |
| 58 | 0 | | | | | | | |
| 59 | 6 | | | | | | | |

7.3.16.3 JESD204B Modes, Interpolation and Clock phase Programming

表 7-36 lists the register field values required for each JESD204B mode, interpolation mode and clock phase. The register field addresses are listed in 表 7-37.

表 7-36. Register Programming for JESD and Interpolation Mode

| Mode | | Register Field Programming | | | | | | | | | |
|----------------------------|--------|----------------------------|-----------------|--------------------------|------------------------------|---------------|---------------|---------------|---------------|----|-------------------------|
| L-M-F-S- Hd 1 TX/2TX | Interp | CLOCK PHASES (1-0) | INTERP (4-0) | CLKJESD_D IV (3-0) | CLKJESD_OUT _DIV (3-0) | L_M1 (4-0) | F_M1 (7-0) | M_M1 (7-0) | S_M1 (4-0) | HD | N_M1/N' _M1 (4-0) |
| 82121/NA | 6 | 11 | 00011 | 0110 | 0011 | 00111 | 0x00 | 0x01 | 00001 | 1 | 01111 |
| | 8 | 11 | 00100 | 0111 | 0100 | | | | | | |
| | 12 | 11 | 00110 | 1010 | 0110 | | | | | | |
| | 16 | 11 | 01000 | 1011 | 0111 | | | | | | |
| 42111/8411 1 | 6 | 10 | 00011 | 0010 | 0011 | 00011 | 0x00 | 0x01 | 00000 | 1 | 01111 |
| | 8 | 11 | 00100 | 0011 | 0100 | | | | | | |
| | 10 | 11 | 00101 | 0101 | 0101 | | | | | | |
| | 12 | 11 | 00110 | 0110 | 0110 | | | | | | |
| | 16 | 11 | 01000 | 0111 | 0111 | | | | | | |
| | 18 | 11 | 01001 | 1001 | 1000 | | | | | | |
| 22210/4421 0 | 8 | 01 | 00100 | 0001 | 0100 | 00001 | 0x01 | 0x01 | 00000 | 0 | 01111 |
| | 12 | 10 | 00110 | 0010 | 0110 | | | | | | |
| | 16 | 11 | 01000 | 0011 | 0111 | | | | | | |
| | 18 | 11 | 01001 | 0100 | 1000 | | | | | | |
| | 20 | 11 | 01010 | 0101 | 1001 | | | | | | |
| 12410/2441 0 | 16 | 01 | 01000 | 0001 | 0111 | 00000 | 0x03 | 0x01 | 00000 | 0 | 01111 |
| | 24 | 10 | 00110 | 0110 | 1010 | | | | | | |
| 44210/8821 0 | 8 | 01 | 00100 | 0001 | 0100 | 00011 | 0x01 | 0x03 | 00000 | 0 | 01111 |
| | 12 | 10 | 00110 | 0010 | 0110 | | | | | | |
| | 16 | 11 | 01000 | 0011 | 0111 | | | | | | |
| | 24 | 11 | 01100 | 0110 | 1010 | | | | | | |
| 24410/4841 0 | 16 | 01 | 01000 | 0001 | 0111 | 00001 | 0x03 | 0x03 | 00000 | 0 | 01111 |
| | 24 | 10 | 01100 | 0010 | 1010 | | | | | | |
| 24310/4831 0 | 24 | 11 | 01100 | 0011 | 1010 | 00001 | 0x02 | 0x03 | 00000 | 0 | 01011 |

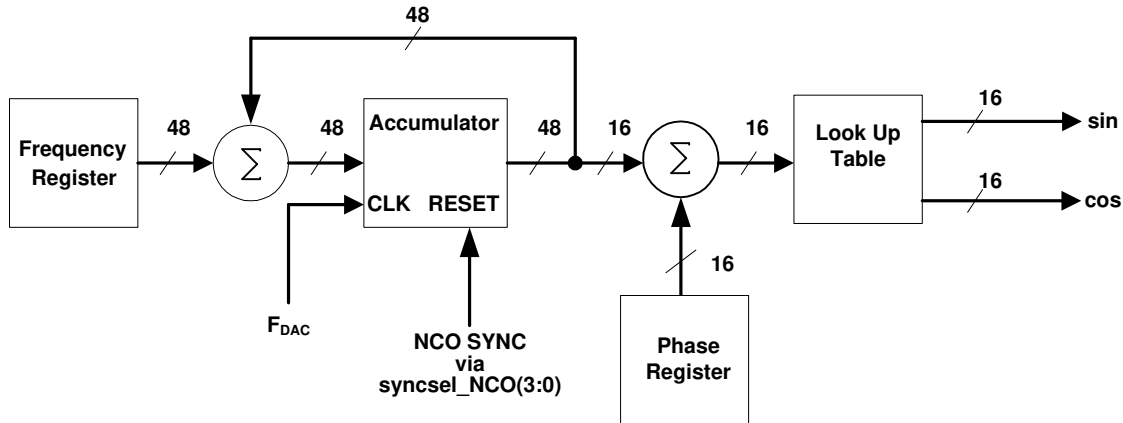
表 7-37. Register Field Addresses for JESD204B Modes, Interpolation and Clock Phase Programming

| Register Field Name | Register | Register Address | Bit(s) | Hyperlink |
|---------------------|---------------|------------------|--------|------------------------|
| INTERP | MULTIDUC_CFG1 | 0x0A | 12-8 | 7.5.13 |
| CLKJESD_DIV | SerDes_CLK | 0x25 | 15-12 | 7.5.28 |
| CLKJESD_OUT_DIV | | | 11-8 | |
| L_M1 | JESD_K_L | 0x4C | 4-0 | 7.5.47 |
| F_M1 | JESD_RBD_F | 0x4B | 7-0 | 7.5.46 |
| M_M1 | JESD_M_S | 0x4D | 15-8 | 7.5.48 |
| S_M1 | | | 4-0 | |
| HD | JESD_N_HD_SCR | 0x4E | 6 | 7.5.49 |
| N_M1 | | | 4-0 | |
| N_M1' (NPRIME_M1) | | | 12-8 | |
| JESD_PHASE_MODE | JESD_LN_EN | 0x4A | 1-0 | 7.5.45 |

All registers are paged!

7.3.16.4 Digital Quadrature Modulator

Each DUC in the DAC38RFxx has digital quadrature modulator (DQM) blocks with independent Numerically Controlled Oscillators (NCO) that converts the complex input signal to a real signal with flexible frequency placement between 0 and $f_{DAC}/2$. The NCOs are enabled by fields NCOAB_ENA and NCOCD_ENA in register MULTIDUC_CFG2 (7.5.14). The NCOs have 48-bit frequency registers (FREQ_NCOAB (7.5.25) and FREQ_NCOCD (7.5.26)) and 16-bit phase registers (PHASE_NCOAB (7.5.23) and PHASE_NCOCD (7.5.24)) that generate the sine and cosine terms for the complex mixing. The NCO block diagram is shown in 7-22.



7-22. NCO Block Diagram

Synchronization of the NCOs occurs by resetting the NCO accumulators to zero. The synchronization source is selected by fields SYNCSEL_NCOAB and SYNCSEL_NCOCD in register SYNCSEL1 (7.5.29). The frequency word in the FREQ_NCOAB and FREQ_NCOCD registers are added to the accumulators every clock cycle, f_{DAC} .

The frequency and phase offset of the NCOs are:

$$f_{NCOAB(or CD)} = \frac{FREQ_NCOAB(or CD) \times f_{DAC}}{2^{48}} \quad (1)$$

$$\delta_{AB(or CD)} = 2\pi \times \frac{PHASE_NCOAB(or CD)}{2^{16}} \quad (2)$$

Treating the complex channels as complex vectors of the form $I + j Q$, the output of the DQM is:

$$Output_{AB} = \{I_{INPUTAB} \times \cos(2\pi f_{NCOAB}t + \delta_{AB}) - Q_{INPUTAB} \times \sin(2\pi f_{NCOAB}t + \delta_{AB})\} \times 2^{(MIXERAB_GAIN-1)} \quad (3)$$

$$Output_{CD} = \{I_{INPUTCD} \times \cos(2\pi f_{NCOCD}t + \delta_{CD}) - Q_{INPUTCD} \times \sin(2\pi f_{NCOCD}t + \delta_{CD})\} \times 2^{(MIXERCD_GAIN-1)} \quad (4)$$

Where t is the time since the last resetting of the NCO accumulator and the fields MIXERAB_GAIN and MIXERCD_GAIN in register MULTIDUC_CFG2 (7.5.13) are either 0 or 1.

The maximum output amplitude of the DQM occurs if $I_{IN}(t)$ and $Q_{IN}(t)$ are simultaneously full scale amplitude and the sine and cosine arguments are equal to an integer multiple of $\pi/4$.

With MIXERAB_GAIN or MIXERCD_GAIN = 0, the gain through the DQM is $\sqrt{2}/2$ or -3 dB. This loss in signal power is in most cases undesirable, and it is recommended that the gain function be used to increase the signal by 3 dB to compensate. With MIXERAB_GAIN or MIXERCD_GAIN = 1, the gain through the DQM is $\sqrt{2}$ or +3 dB, which can cause clipping of the signal if $I_{IN}(t)$ and $Q_{IN}(t)$ are simultaneously near full scale amplitude and should therefore be used with caution.

7.3.16.5 Low Power Coarse Resolution Mixing Modes

In addition to the NCO the DAC38RFxx also has a coarse mixer block capable of shifting the input signal spectrum by the fixed mixing frequencies $\pm N \times f_{DAC}/8$. Using the coarse mixer instead of the full mixers will result in lower power consumption.

Treating the two complex channels as complex vectors of the form $I(t) + j Q(t)$, the outputs of the coarse mixer is equivalent to:

$$\text{Output}_{AB} = I_{INPUTAB} \times \cos(2\pi f_{CMIX_AB} t) - Q_{INPUTAB} \times \sin(2\pi f_{CMIX_AB} t) \quad (5)$$

$$\text{Output}_{CD} = I_{INPUTCD} \times \cos(2\pi f_{CMIX_CD} t) - Q_{INPUTCD} \times \sin(2\pi f_{CMIX_CD} t) \quad (6)$$

Where f_{CMIX_AB} and f_{CMIX_CD} and the fixed mixing frequency selected by fields CMIX_AB or CMIX_CD in register CMIX (7.5.21). The coarse mixer blocks are disabled by setting CMIX_AB and CMIX_CD to 0x0.

The NCO and coarse mixers can be enabled simultaneously, although this is not useful in most cases as the full frequency range can be covered by the NCO.

7.3.16.6 Inverse Sinc Filter

The DAC38RFxx have a 9-tap inverse Sinc filter (INVSINC) that runs at the DAC update rate (f_{DAC}) that can be used to flatten the frequency response of the sample-and-hold output. The DAC sample-and-hold output sets the output current and holds it constant for one DAC clock cycle until the next sample, resulting in the well known $\sin(x)/x$ or Sinc(x) frequency response (Figure 7-23, red line). The inverse sinc filter response (Figure 7-23, blue line) has the opposite frequency response from 0 to $0.4 \times f_{DAC}$, resulting in the combined response (Figure 7-23, green line). Between 0 to $0.4 \times f_{DAC}$, the inverse sinc filter compensates the sample-and-hold roll-off with less than 0.03 dB error.

The inverse sinc filter has a gain > 1 at all frequencies. Therefore, the signal input to INVSINC must be reduced from full scale to prevent saturation in the filter. The amount of back-off required depends on the signal frequency, and is set such that at the signal frequencies the combination of the input signal and filter response is less than 1 (0 dB). For example, if the signal input to INVSINC is at $0.25 \times f_{DAC}$, the response of INVSINC is 0.9 dB, and the signal must be backed off from full scale by 0.9 dB to avoid saturation. The advantage of INVSINC having a positive gain at all frequencies is that the user is then able to optimize the back-off of the signal based on its frequency.

The inverse Sinc filters are enabled by field ISFIR_ENA in register MULTIDUC_CFG1 (9.5.9).

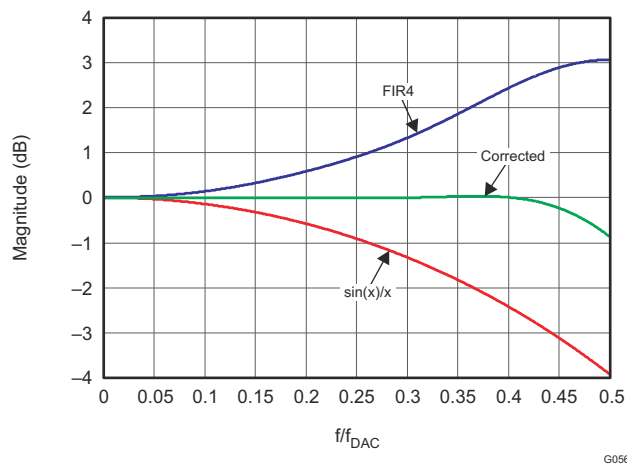


Figure 7-23. Composite Magnitude Spectrum for INVSINC

7.3.16.7 Summation Block for Dual DUC Modes

When using the dual DUC modes, the outputs of the two AQM blocks are summed together to form a composite signal for the DAC output, configured by field OUTSUM_SEL in register OUTSUM (7.5.22). The input signals to the DUCs must be scaled such that the signal does not exceed fullscale during summation. This field can also be configured to add the signals from the adjacent multi-DUC to enable a four DUC signal.

To avoid overflow, a rounding operation is performed after the addition to reduce the word size back to 16 bits. Exact number of bits rounded depends on the number of channels added. 表 7-38 shows the description of round after the addition.

表 7-38. OUTSUM rounding

| # of channels added | # of bits rounded |
|---------------------|---|
| 0 | Output is 0 |
| 1 | 0, Use bits[15:0] from result |
| 2 | 1, Use bits[16:1] from result and bit[0] used for rounding |
| 3 or 4 | 2, Use bits[17:2] from result and bits[1:0] used for rounding |

7.3.17 PA Protection Block

The DAC38RFxx incorporates an optional power amplifier protection (PAP) block to monitor when the input signal is too large, for example when an interface error occurs, and reduces the output signal power of the DAC. The PAP block achieves the functionality of reducing the input signal that crosses the threshold through three main sub-blocks. These are PAP trigger generation block, PAP gain state machine and GAIN block.

The PAP block keeps track of the input signal power by maintaining a sliding window accumulation of last N samples. N is selectable to be 32, 64 or 128 based on the setting (表 7-39) of fields PAPAB_SEL_DLY in register PAP_CFG_AB (7.5.35) and PAPCD_SEL_DLY in register PAP_CFG_CD (7.5.36). The average amplitude of input signal is computed by dividing accumulated value by the number of samples in the delay-line (N). The result is then compared against the threshold in fields PAPAB_THRESH in register PAP_CFG_AB (7.5.35) and PAPCD_THRESH in register PAP_CFG_CD (7.5.36). If the threshold is violated, gain state machine is triggered which generated gain value to ramp down the DAC output signal amplitude. After the input signal returns to normal value, the state machine ramps up the DAC output signal amplitude.

表 7-39. PAP Delay Line Selection

| pap_sel_dly[1:0] | # of samples averaged |
|------------------|-----------------------|
| 00 | 32 |
| 01 | 64 |
| 10 | 128 |
| 11 | Reserved |

The generation of the PAP trigger as explained as follows:

- The I and Q samples are treated separately – either can trigger attenuation
- In dual DUC modes, each IQ pair is treated separately and has a separate gain block
- 8 samples at the input are put through an absolute value circuit (all 2's complement)
- Next these values are vector summed to get a 12 bit result
- Then 12 bit result is placed into the delay line and summed into the accumulator
- The accumulator is also subtracting out the delayed 12 bit word corresponding to N = 32, N = 64 or N = 128
- Finally the accumulator output is divided down by N and rounded to 13 bits. These 13 bits are compared to the threshold in the SPI registers. A pap_trig occurs if the threshold is exceeded.

The PAP gain state machine generates the pap gain value to be applied on the output stream to reduce the output signal amplitude. The state machine below is used to control the attenuation of the DAC output and the gaining up of the signal again once the trigger is released.

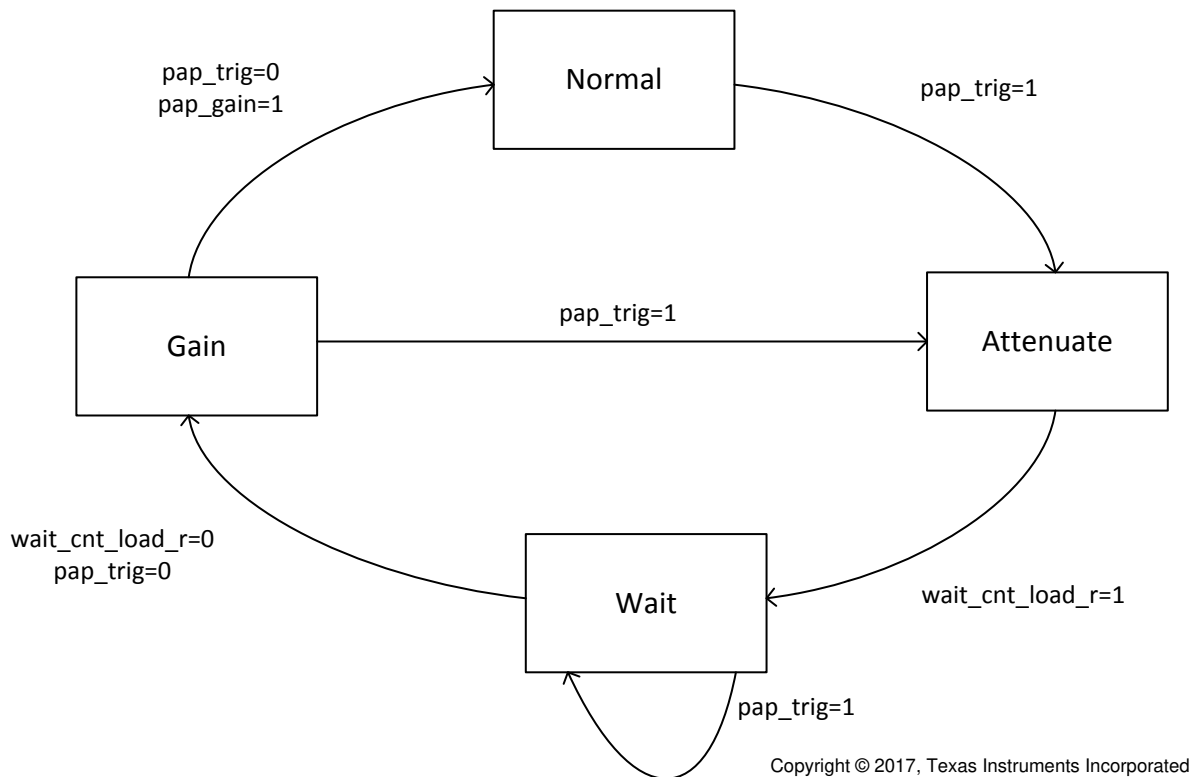


図 7-24. PAP Gain State Machine

The normal operating condition for the PAP block is the NORMAL state in [図 7-24](#). However, when the PAP block detects an error condition it sets the pap_trig signal to '1' causing a state transition from NORMAL operation to the ATTENUATE state.

In the ATTENUATE state the data path gain is scaled from 1.0 down to 0.0 by a programmable step amount set by fields PAPAB_GAIN_STEP in register PAP_GAIN_AB ([7.5.31](#)) and PAPCD_GAIN_STEP in register PAP_GAIN_CD ([7.5.33](#)). This value is always positive with the decimal place located between the MSB and MSB-1. Unity is equal to "1000000000". Each clock cycle (16 samples) the PAP_GAIN is stepped down by PAPAB_GAIN_STEP and PAPCD_GAIN_STEP until the gain is 0.

After PAP_GAIN is 0, the state machine moves on to the WAIT state. Here a programmable counter counts clock cycles to allow the condition for the pap_trig to be fixed. Fields PAPAB_WAIT in register PAP_WAIT_AB ([7.5.32](#)) and PAPCD_WAIT in register PAP_WAIT_CD ([7.5.34](#)) are used to select the number of clock cycles (samples = 16 x PAPAB_WAIT or 16 x PAPCD_WAIT) to wait before moving to the next state. Once the WAIT counter equals zero and pap_trig='0', the state machine moves on to the GAIN state. If the WAIT equals 0 but pap_trig still equals '1' then the state machine stays in the WAIT state until pap_trig='0'.

7.3.18 Gain Block

The GAIN block also has additional output gain control through fields GAINAB in register GAINAB ([7.5.39](#)) and GAINCD in register GAINCD ([7.5.40](#)). Similar to PAP_GAIN value, the output gain is always positive with unity when GAINAB or GAINCD = "010000000000".

To reduce the power, the gain block clock has been gated whenever the pap is disabled and GAINAB or GAINCD is set to unity.

7.3.19 Output Summation

The OUTSUM block allows addition of samples from each DUC in the multi-DUC. It is also possible to add the output samples from the adjacent multi-DUC. Field OUTSUM_SEL in register OUTSUM (7.5.22) controls the summation for each multi-DUC. The functionality of the block can be represented by the following equation:

$$OUTSUM_{output} = SAME_{AB} + SAME_{CD} + ADJ_{AB} + ADJ_{CD} \quad (7)$$

In order to avoid overflow, rounding operation is performed after the addition to reduce the word size back to 16-bits. Exact number of bits rounded depends on the number of channels added. 表 7-40 shows the description of round after the summation.

表 7-40. OUTSUM Scaling and Rounding

| # OF CHANNELS ADDED | # OF BITS ROUNDED |
|---------------------|--|
| 0 | 0, Use bits[15:0] from the result |
| 1 | Use bits[16:1] from the result and bit[0] used for rounding |
| 2 | Use bits[17:2] from the result and bits[1:0] used for rounding |
| 3 | Use bits[18:3] from the result and bit[2:0] used for rounding |
| 4 | Use bits[19:4] from the result and bit[3:0] used for rounding |

7.3.20 Output Delay

The signal following output summation can be delayed by 0-15 DACCLK cycles through field OUTPUT_DELAY in register OUTSUM (7.5.20). The block takes 16 sample words (vec16) from both the A and B paths and shifts the them to 32 sample long delay line.

7.3.21 Polarity Inversion

The signal following the output delay can be inverted by a 2's complement conversion allowing the + and - DAC outputs to be swapped by asserting field DAC_COMPLEMENT in register MULTIDUC_CFG1 (7.5.13).

7.3.22 Temperature Sensor

The DAC38RFxx incorporates a temperature sensor block which monitors the die temperature by measuring the voltage across 2 transistors. The voltage is converted to an 8-bit digital word using a successive approximation (SAR) analog to digital conversion process. The result is scaled, limited and formatted as a twos complement value representing the temperature in degrees Celsius.

The sampling is controlled by the serial interface signals \overline{SDEN} and SCLK. If the temperature sensor is enabled by writing a 0 to field TSENSE_SLEEP in register SLEEP_CONFIG (7.5.70), a conversion takes place each time the serial port is written or read. The data is only read and sent out by the digital block when the temperature sensor is read in field TEMPDATA in register TEMP_PLLVOLT (7.5.7). The conversion uses the first eight clocks of the serial clock as the capture and conversion clock, the data is valid on the falling eighth SCLK. The data is then clocked out of the chip on the rising edge of the ninth SCLK. No other clocks to the chip are necessary for the temperature sensor operation. As a result the temperature sensor is enabled even when the device is in sleep mode.

In order for the process described above to operate properly, the serial port read from register TEMP_PLLVOLT must be done with an SCLK period of at least 1 μ s. If this is not satisfied the temperature sensor accuracy is greatly reduced.

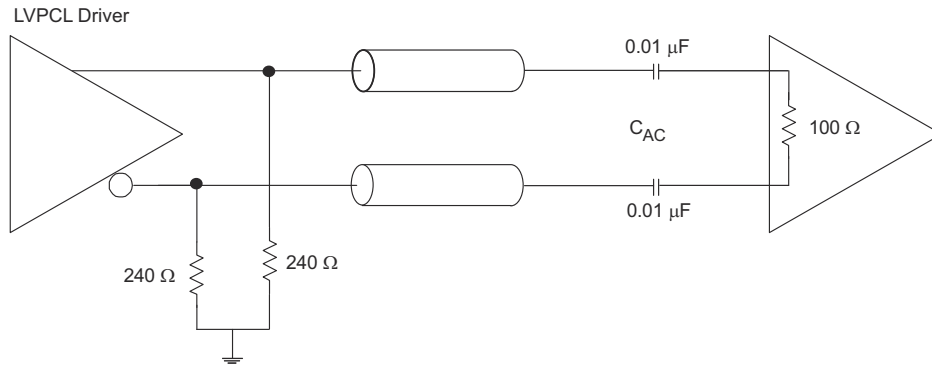
7.3.23 Alarm Monitoring

The DAC38RFxx includes a flexible set of alarm monitoring that can be used to alert of a possible malfunction scenario. All the alarm events can be accessed either through the SIP registers and/or through the ALARM output. Once an alarm is set, the corresponding alarm bit must be reset through the serial interface to allow further testing. The set of alarms includes the following conditions:

- JESD alarms
 - Fields ALM_LANEx_ERR in registers JESD_ALM_Lx (x = 0-7, 7.5.59 to 7.5.66):
 - multiframe alignment_error. Occurs when multiframe alignment fails
 - frame alignment error. Occurs when multiframe alignment fails
 - link configuration error. Occurs when there is wrong link configuration
 - elastic buffer overflow. Occurs when bad RBD value is used
 - elastic buffer match error. Occurs when the first non-/K/ doesn't match the programmed data
 - code synchronization error
 - 8b/10b not-in-table decode error
 - 8b/10b disparity error
 - Field ALM_FROM_SHORTTEST in register ALM_SYSREF_PAP (7.5.67): Occurs when the short pattern test fails.
- SerDes alarms
 - Field ALM_SD_LOTDET in register ALM_SD_DET (7.5.5): Occurs when there are loss of signal detect from SerDes lanes.
 - Fields ALM_FIFOx_FLAGS in registers JESD_ALM_Lx (x = 0-7, 7.5.59 to 7.5.66):
 - FIFO write error. Occurs if write request and FIFO is full.
 - FIFO write full: Occurs if FIFO is full.
 - FIFO read error. Occurs if read request and FIFO is empty.
 - FIFO read empty: Occurs if FIFO is empty.
 - Field ALM_SD0_PLL in register ALM_SYSREF_DET (7.5.6): Occurs if the PLL in the SerDes block 0 goes out of lock.
 - Field ALM_SD1_PLL in register ALM_SYSREF_DET (7.5.6): Occurs if the PLL in the SerDes block 1 goes out of lock.
- SYSREF alarm
 - Field ALM_SYSREF_ERR in register ALM_SYSREF_PAP (7.5.67): Occurs when the SYSREF is received at an unexpected time. If too many of these occur it will cause the JESD to go into synchronization mode again.
- DAC PLL alarm
 - Field PLL_LOCK in register ALM_SYSREF_DET (7.5.6). This register field is asserted when the PLL is unlocked. When used as an alarm output, a high signal indicates that the PLL is unlocked if the ALM_OUT_POL bit in register RESET_CONFIG is set to 1.
- PAP alarm
 - Field ALM_PAP in register ALM_SYSREF_PAP (7.5.67): Occurs when the average power is above the threshold. While any alarm_pap is asserted the attenuation for the appropriate data path is applied.

7.3.24 Differential Clock Inputs

☒ 7-25 shows the preferred configuration for driving the DACCLK+/- and SYSREF+/- with a differential ECL/PECL source.

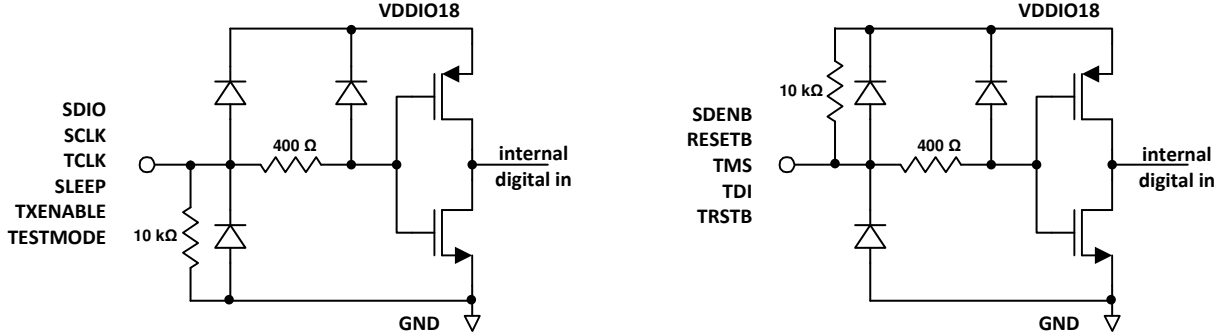


Copyright © 2016, Texas Instruments Incorporated

7-25. Preferred Clock Input Configuration With a Differential ECL/PECL Clock Source

7.3.25 CMOS Digital Inputs

Figure 7-26 shows a schematic of the equivalent CMOS digital inputs of the DAC38RFxx. SDIO, SCLK, TCLK, SLEEP, TESTMODE and TXENABLE have internal pull-down resistors while $\overline{\text{SDEN}}$, $\overline{\text{RESET}}$, TMS, TDI and $\overline{\text{TRST}}$ have internal pull-up resistors. See the [Specifications](#) table for logic thresholds. The pull-up and pull-down circuitry is approximately equivalent to 10 kΩ.



Copyright © 2016, Texas Instruments Incorporated

Figure 7-26. CMOS Digital Equivalent Input

7.3.26 DAC Fullscale Output Current

The DAC38RFxx uses a bandgap reference and control amplifier for biasing the full-scale output current. The DAC full scale output current is set by a combination of the fixed current through the external resistor R_{BIAS} (connected to pin BIASJ) and current from course trim current sources:

$$I_{OUT_{FS}} = I_{R_{BIAS}} + I_{coarsetrim} \quad (8)$$

The bias current I_{BIAS} through resistor R_{BIAS} is defined by the on-chip bandgap reference voltage V_{BG} (nominally 0.9 V) and control amplifier. For normal operation, it is recommended that R_{BIAS} is set to 3.6 kΩ for a fixed current through R_{BIAS} of 250 μA. This current is scaled 128x internally, giving:

$$I_{R_{BIAS}} = 128 \times \frac{V_{BG}}{R_{BIAS}} = 128 \times \frac{0.9V}{3.6 \text{ k}\Omega} = 32 \text{ mA} \quad (9)$$

The course trim current sources are configured through SPI register field DACFS in register DACFS (7.5.72), as follows:

$$I_{coarsetrim} = 2\text{mA} \times (\text{DACFS} - 11) \quad (10)$$

From the discussion above, the DAC full scale output current can be configured from 40 mA (DACFS[3:0] = 1111) down to 10 mA (DACFS[3:0] = 0000). In addition to the full scale signal current set by SPI register DACFS (7.5.72), an extra DC bias current is required to set the operating point of the output current sources (Table 7-41).

Table 7-41. DAC output current

| DACFS (7.5.72) | Signal current (mA) | Total bias current (mA) ⁽¹⁾ |
|----------------|---------------------|--|
| 0 | 10 | 1 |
| 1 | 12 | 1 |
| 2 | 14 | 2 |
| 3 | 16 | 2 |
| 4 | 18 | 3 |
| 5 | 20 | 3 |
| 6 | 22 | 4 |

表 7-41. DAC output current (続き)

| DACFS (7.5.72) | Signal current (mA) | Total bias current (mA) ⁽¹⁾ |
|----------------|---------------------|--|
| 7 | 24 | 5 |
| 8 | 26 | 5 |
| 9 | 28 | 6 |
| 10 | 30 | 6 |
| 11 | 32 | 7 |
| 12 | 34 | 7 |
| 13 | 36 | 8 |
| 14 | 38 | 8 |
| 15 | 40 | 9 |

(1) The bias current per each complementary output is half the total bias current

An external decoupling capacitor C_{EXT} of 0.1 μF should be connected externally to terminal EXTIO for compensation. R_{BIAS} of 3.6 k Ω is recommended for setting the full-scale output current.

7.3.27 Current Steering DAC Architecture

The DACs in the DAC38RFxx consist of a segmented array of NMOS current sources, capable of sinking a full-scale output current up to 40 mA (see 図 7-27). Differential current switches direct the current to either one of the complimentary output nodes $VOUT1/2+$ or $VOUT1/2-$. On the DAC38RF80/90/84 with integrated balun, these output nodes are internal to the device. Complimentary output currents enable differential operation, thus canceling out common mode noise sources (digital feed-through, on-chip and PCB noise), dc offsets, even order distortion components, and increasing signal output power by a factor of four.

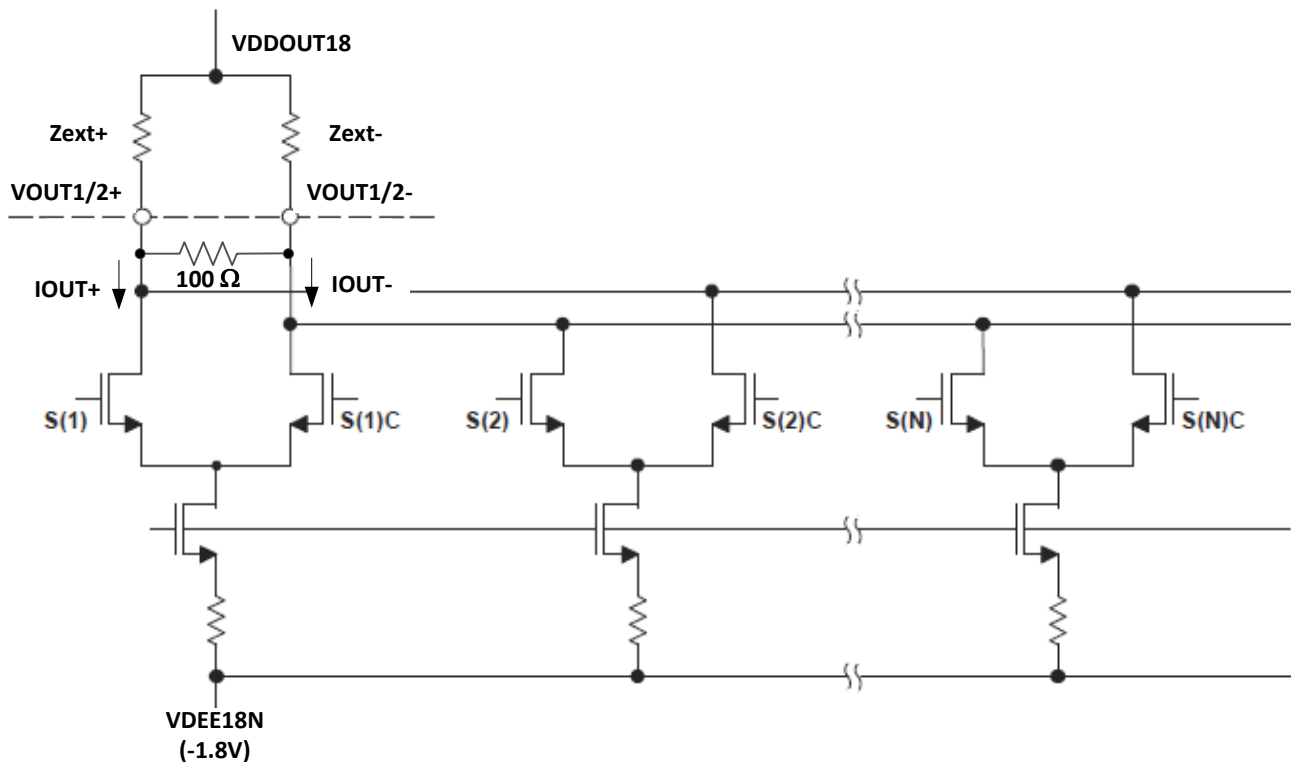


図 7-27. Current Steering DAC Architecture

Referring to 図 7-27, the total output current I_{OUTFS} is fixed, and is switched to either the + or – output by switches $S(N)$:

$$IOUT_{FS} = IOUT_{++} - IOUT_{--} \quad (11)$$

Since the output stage is a current sinking architecture, we will denote current into the DAC as + current, and the current flows IOUT+ and IOUT- into terminals VOUT1/2+ and VOUT1/2- respectively. IOUT+ and IOUT- can be expressed as:

$$IOUT_{+} = \frac{IOUT_{FS} \times CODE}{16384} \quad (12)$$

$$IOUT_{-} = \frac{IOUT_{FS} \times (16383 - CODE)}{16384} \quad (13)$$

where CODE is the decimal representation of the 14-bit DAC core data input word. Note the signal path up to the DAC is 16-bits and the 2 LSBs are truncated for the DAC core data input word.

7.3.28 DAC Transfer Function for DAC38RF83, 93, 85

The DAC38RF83/93/85 has a differential output and is terminated internally with a differential 100-Ω load. The DAC38RF83/93/85 output compliance range is 1.3 to 2.3 V. Note that care should be taken not to exceed the compliance voltages at node VOUT1/2+ and VOUT1/2-, which would lead to increased signal distortion.

Referring again to [Figure 7-27](#), denote the external impedance as seen by VOUT1/2+ as Zext+ and by VOUT1/2- as Zext-. Note that Zext+ and Zext- should terminate to VDDOUT18 to supply the output current for the DAC. Also, Zext+ and Zext- are ideally identical to maintain the differential balance of the output. The voltage at nodes VOUT1/2+ and VOUT1/2- generated by the current flow through the impedance is

$$VOUT1/2+ = \frac{IOUT_{++}(100\Omega + Zext_{+})}{(100\Omega + Zext_{++} + Zext_{-})} \times Zext_{+} + \frac{IOUT_{--} \times Zext_{-}}{(100\Omega + Zext_{++} + Zext_{-})} \times Zext_{+} \quad (14)$$

$$VOUT1/2- = \frac{IOUT_{--}(100\Omega + Zext_{-})}{(100\Omega + Zext_{++} + Zext_{-})} \times Zext_{+} + \frac{IOUT_{++} \times Zext_{+}}{(100\Omega + Zext_{++} + Zext_{-})} \times Zext_{-} \quad (15)$$

The DAC38RF83/93/85 can be easily configured to drive a doubly terminated 50-Ω cable using a properly selected 2:1 RF transformer ([Figure 7-28](#)). Note that the center tap of the primary input of the transformer has to be connected to the VDDOUT18 supply (nominally 1.8 V) to enable a DC current flow into the DAC. The AC load impedance as seen through 2:1 transformer is 100 Ω, which is split equally into Zext+ = Zext- = 50 Ω. The DC impedance for the transformer is a short to the center tap of the transformer, which drives the common mode of VOUT1/2+ and VOUT1/2- to 1.8V. To calculate the peak to peak output swing VOUT1/2PP at each node, the equations above simplify to:

$$VOUT1/2_{PP} = VOUT1/2_{+}(IOUT_{++}=IOUT_{FS}, IOUT_{--}=0) - VOUT1/2_{+}(IOUT_{--}=IOUT_{FS}, IOUT_{++}=0) \quad (16)$$

$$VOUT1/2_{PP} = \frac{IOUT_{FS} \times 50\Omega \times 150\Omega}{200\Omega} - \frac{IOUT_{FS} \times 50\Omega \times 50\Omega}{200\Omega} = IOUT_{FS} \times 25\Omega \quad (17)$$

With IOUT_{FS} = 40 mA, the swing becomes 1 V_{PP} at each node. With the common mode at 1.8 V due to the center tap, the voltage at VOUT1/2+ and VOUT1/2- varies between 1.3 and 2.3 V, which is the compliance range of the DAC.

The differential output swing is 2x VOUT1/2_{PP}, or 2 V_{PPDIFF}. On the load side of the transformer, this reduces to 1.414 V_{PP}, for a transferred load power of 7 dBm (assuming no loss).

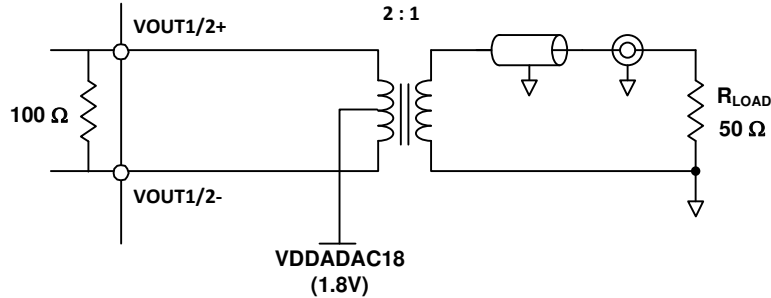


Figure 7-28. Driving a 50-Ω Load Using a 2:1 Impedance Ratio Transformer (DAC38RF83/93/85)

The DAC38RF83/93/85 can also be DC coupled. In this case, the termination voltage can be raised above 1.8 V (for example 2.3 V) so that the common mode for the output pin is nominally 1.8 V.

7.3.29 DAC Transfer Function for DAC38RF80/90/84

The DAC38RF80/90/84 has a wide bandwidth integrated balun (nominally 700 MHz to 3.8 GHz passband) to convert the DAC core differential signal to a single ended signal. The single ended output is expected to drive a 50-Ω load (see Figure 7-29). With full-scale current of 40 mA, the theoretical output power delivered to a 50-Ω load is 4 dBm. However the actual power delivered will be less than the theoretical value and Figure 6-38 shows the output power across frequency.

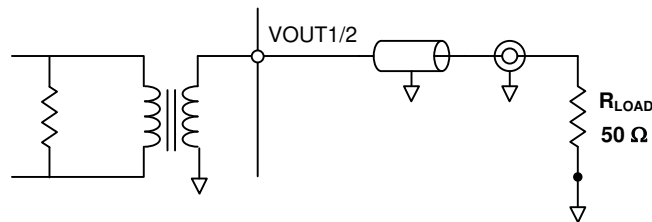


Figure 7-29. Driving a 50-Ω Load (DAC38RF80/90/84)

7.4 Device Functional Modes

7.4.1 Clocking Modes

The DAC38RFxx has both a single ended clock input DACCLKSE and a differential clock input DACCLK+/- to clock the device. The clock input is selected by field SEL_EXTCLK_DIFFSE in register CLK_PLL_CFG (8.5.79). The DAC38RFxx can be clocked directly with a high frequency input clock at the DAC sample rate (PLL Bypass Mode), or an optional on-chip low-jitter phase-locked loop (PLL) can be used to generate the high frequency DAC sample clock internally from a lower frequency reference clock input (PLL Mode).

7.4.2 PLL Bypass Mode Programming

In PLL bypass mode a high quality clock is sourced to the DACCLK inputs. This clock is used to directly clock the DAC38RFxx DAC cores. This mode gives the device best performance and is recommended for extremely demanding applications.

The bypass mode is selected by setting the following:

1. Set field PLL_ENA in register CLK_PLL_CFG (8.5.79) to “0” to bypass the PLL circuitry.
2. Set field PLL_SLEEP in register SLEEP_CONFIG (8.5.70) to “1” to put the PLL and VCO into sleep mode.

7.4.3 Internal PLL/VCO

The DAC38RFxx has an internal clock generation circuit consisting of a PLL and two selectable VCOs, as shown in Figure 7-30.

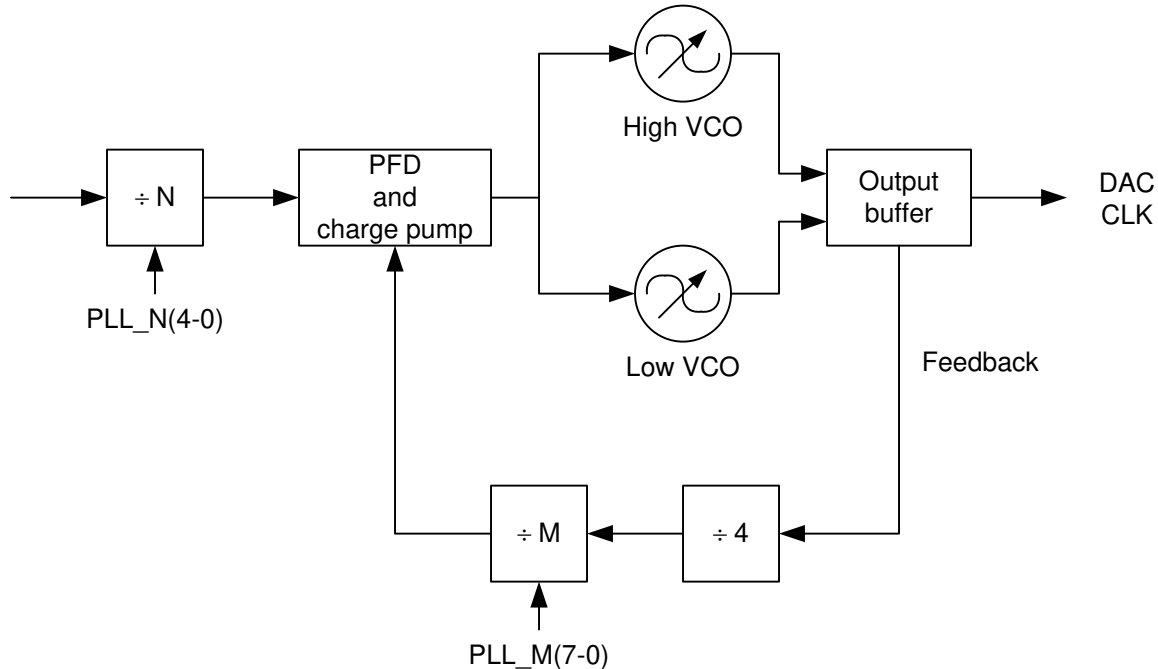


図 7-30. Internal PLL/VCO Block Diagram

The low VCO is tuned to a target center frequency of 5.9 GHz, and the high VCO is tuned to a target center frequency of 8.85 GHz. The VCO is selected through field PLL_VCOSEL in register PLL_CONFIG2 (8.5.81), with '0' selecting the low VCO and a '1' the high VCO. The 7 bit VCO tuning code in field PLL_VCO in register PLL_CONFIG2 (8.5.81) is used to tune the VCO frequency in the range of 5.24 GHz to 6.72 GHz for low VCO and 7.96 GHz to 9.0 GHz for the high VCO. For the low VCO the center VCO frequency is achieved with PLL_VCO = 63_{decimal} and for the high VCO the target VCO center frequency is achieved with PLL_VCO = 63_{decimal}.

The supply current, and therefore; the analog signal amplitude in the VCO is controlled using the field PLL_VCO_RDAC in register PLL_CONFIG1 (8.5.80). This control signal should be set 15_{decimal} initially for 18 mA supply current in the VCO and ~1.4 V_{PP} single ended oscillation amplitude.

The PLL has no prescaler, so the DAC sample rate is the VCO frequency. In the PLL feedback path a fixed ÷ 4 frequency divider block receives the VCO output clock and divides its frequency by 4. The maximum operating frequency of the phase-frequency detector (PFD) is approximately 550 MHz. The M (feedback) clock divider takes the output clock signal from the fixed ÷ 4 block and divides it by a programmable ratio set by the 8-bit field in field PLL_M_M1 in register PLL_CONFIG1 (8.5.80). The programmable division ratio range is ÷1 to ÷256, and is the value of the 8 bit unsigned binary code + 1. Although it is possible to program the M divider to ÷1, ÷2 and ÷3, these values should not be used. As stated previously the PFD and CP have a finite maximum operating frequency, which is the VCO frequency divided by the fixed divider ratio multiplied by the minimum allowable M divider ratio.

$$PFD_CP_{Fmax} = Fvco / (Fixed_div \times Mdiv_{min}) \quad (18)$$

The N (reference) divider determines the ratio between the input reference clock frequency and the PFD operating frequency, and is set by the 5-bit field PLL_N_M1 in register CLK_PLL_CFG (8.5.79). The division ratio range is ÷1 to ÷32, and is the value of the 5-bit unsigned binary code + 1.

The charge pump output current amplitude is set using the 4-bit field PLL_CP_ADJ in register PLL_CONFIG2 (8.5.81). The current amplitude is simply the digital code multiplied by the unit current amplitude of 100 µA. In a nominal condition, with the LF VCO running at 5.898 GHz, and with the M divider set to ÷4, the PFD will run at 368.625 MHz, and the change pump current should set to 6_{decimal}, which gives 600 µA charge pump output

current for a good phase margin of 69 degrees. If a higher M ratio (for lower PFD frequencies) are required the charge pump output current must be increased to maintain good loop stability and prevent excessive peaking in the phase noise response. The charge pump output current setting PLL_CP_ADJ should be adjusted in relation to the feedback (M) divider ratio PLL_M_M1 according to the following table to maintain a constant phase margin of 69 degrees.

表 7-42. M vs Kp for Maintaining Good Stability

| M | CP_ADJ |
|----|--------|
| 4 | 6 |
| 6 | 9 |
| 8 | 12 |
| 10 | 15 |

Similarly for the HF VCO running at 8.847 GHz, and with the M divider set to +4, the PFD will run at 552.9375 MHz as shown above. Here the charge pump current should be set to 6_{decimal}, which gives 600 µA charge pump output current for a good phase margin of 69 degrees.

7.4.4 CLKOUT


The DAC38RFxx has a programmable output clock on CLKTX+/- balls that is a divided version of the internal DAC sample clock, either with or without PLL. Two frequency dividers, either DACCLK/3 or DACCLK/4, are available by programming field CLK_TX_DIV4 in register CLK_OUT (8.5.71). The output swing voltage is programmable from approximately 125 to 1460 mV_{PP-DIFF} through field CLK_TX_SWING in register CLK_OUT (8.5.71).

Field CLK_TX_IDLE in register CLK_OUT (8.5.71) enables an idle state, in which the pins are driven to the proper common-mode levels to charge the external AC coupling caps but the clock output is disabled. The output clock circuit can be put to sleep by field CLK_TX_SLEEP in register SLEEP_CONFIG (8.5.70).

7.4.5 Serial Peripheral Interface (SPI)

The serial port of the DAC38RFxx is a flexible serial interface which communicates with industry standard microprocessors and microcontrollers. The interface provides read/write access to all registers used to define the operating modes of DAC38RFxx. It is compatible with most synchronous transfer formats and can be configured as a 3 or 4 terminal interface by SIF4_ENA in register IO_CONFIG (8.5.2). In both configurations, SCLK is the serial interface input clock and \overline{SDEN} is serial interface enable. For 3 terminal configuration, SDIO is a bidirectional terminal for both data in and data out. For 4 terminal configuration, SDIO is bidirectional and SDO is data out only. Data is input into the device with the rising edge of SCLK. Data is output from the device on the falling edge of SCLK.

The SPI registers are reset by writing a 1 to SPI_RESET in register RESET_CONFIG (8.5.1).

Each read/write operation is framed by signal \overline{SDEN} (Serial Data Enable Bar) asserted low. The first frame byte is the instruction cycle which identifies the following data transfer cycle as read or write as well as the 7-bit address to be accessed.  7-31 indicates the function of each bit in the instruction cycle and is followed by a detailed description of each bit. The data transfer cycle consists of two bytes.

 7-31. Instruction Byte of the Serial Interface

| Bit | 7 (MSB) | 6 | 5 | 4 | 3 | 2 | 1 | 0 |
|-------------|---------|----|----|----|----|----|----|----|
| Description | R/W | A6 | A5 | A4 | A3 | A2 | A1 | A0 |

R/W - Identifies the following data transfer cycle as a read or write operation. A high indicates a read operation from DAC38RFxx and a low indicates a write operation to DAC38RFxx

A6:A0 - Identifies the address of the register to be accessed during the read or write operation.

Figure 7-32 shows the serial interface timing diagram for a DAC38RFxx write operation. SCLK is the serial interface clock input to DAC38RFxx. Serial data enable $\overline{\text{SDEN}}$ is an active low input to DAC38RFxx. SDIO is serial data input. Input data to DAC38RFxx is clocked on the rising edges of SCLK.

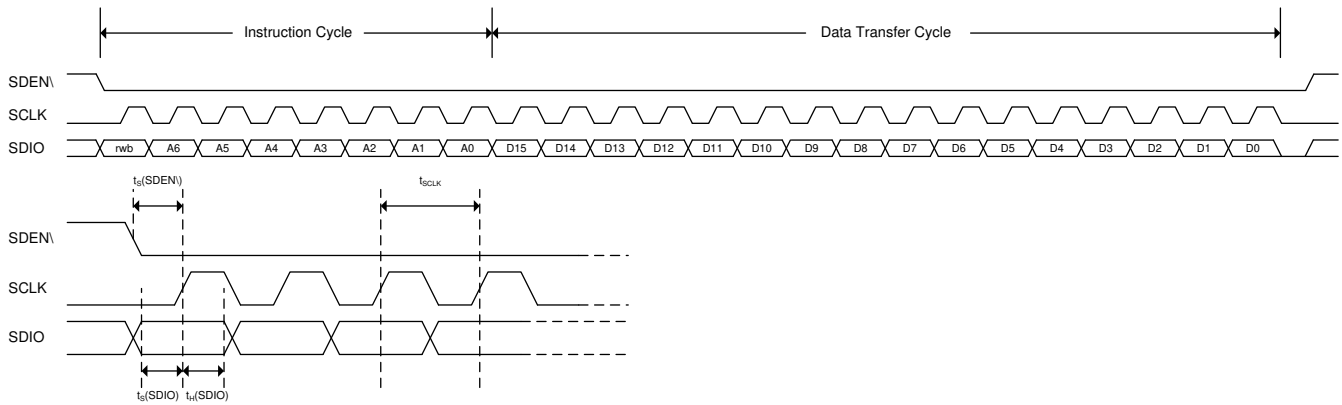


Figure 7-32. Serial Interface Write Timing Diagram

Figure 7-33 shows the serial interface timing diagram for a DAC38RFxx read operation. SCLK is the serial interface clock input to DAC38RFxx. Serial data enable $\overline{\text{SDEN}}$ is an active low input to DAC38RFxx. SDIO is serial data input during the instruction cycle. In 3 pin configuration, SDIO is data out from the DAC38RFxx during the data transfer cycle, while SDO is in a high-impedance state. In 4 pin configuration, both SDIO and SDO are data out from the DAC38RFxx during the data transfer cycle. At the end of the data transfer, SDIO and SDO will output low on the final falling edge of SCLK until the rising edge of $\overline{\text{SDEN}}$ when they will 3-state.

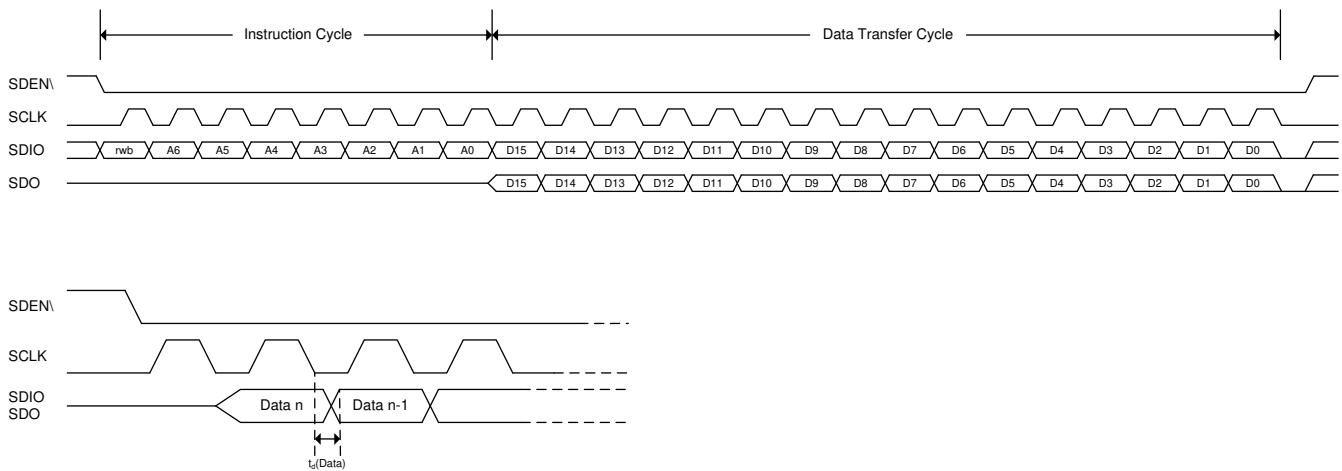


Figure 7-33. Serial Interface Read Timing Diagram

In the SIF interface there are four types of registers:

7.4.5.1 NORMAL (RW)

The NORMAL register type allows data to be written and read from. All 16-bits of the data are registered at the same time. There is no synchronizing with an internal clock thus all register writes are asynchronous with respect to internal clocks. There are three subtypes of NORMAL:

1. AUTOSYNC: A NORMAL register that causes a sync to be generated after the write is finished. These are used when it is desirable to synchronize the block after writing the register or for a single field that spans across multiple registers. For instance, the NCO requires three 16-bit register writes to set the frequency. Upon writing the last of these registers an autosync is generated to deliver the entire field to the NCO block

- at once, rather than in pieces after each individual register write. For a field that spans multiple registers, all non-AUTOSYNC registers for the field must be written first before the actual AUTOSYNC register.
2. No RESET Value: These are NORMAL registers, but the reset value cannot be specified. This could be because the register has some read_only bits or some internal logic partially controls the bit values.
 3. READ_ONLY (R): Registers that can only be read.

7.4.5.2 WRITE_TO_CLEAR (W0C)

These registers are just like NORMAL registers with one exception. They can be written and read, however, when the internal logic asynchronously sets a bit high in one of these registers, that bit stays high until it is written to '0'. This way interrupts will be captured and stay constant until cleared by the user.

7.4.5.3 Writing to Reserved Bits

Registers with reserved bits must have these bits written as described in the register map when writing to this register. If a reserved bit is shown as a "1" in the reset column of the field description, whenever a write to this register is required, "1" must be written to this bit. If the reserved bit is a "0", a "0" would have to be written to this location.

7.5 Register Maps

表 7-43. Register Summary

| Address | Reset | Acronym | Register Name | Section |
|---|-------------------------|----------------|--|------------------------|
| General Configuration Registers (PAGE_SET[2:0] = 000) | | | | |
| 0x00 | 0x5803 | RESET_CONFIG | Chip Reset and Configuration | 7.5.1 |
| 0x01 | 0x1800 | IO_CONFIG | IO Configuration | 7.5.2 |
| 0x02 | 0xFFFF | ALM_SD_MASK | Lane Signal Detect Alarm Mask | 7.5.3 |
| 0x03 | 0xFFFF | ALM_CLK_MASK | Clock Alarms Mask | 7.5.4 |
| 0x04 | variable ⁽¹⁾ | ALM_SD_DET | SERDES Loss of Signal Detection Alarms | 7.5.5 |
| 0x05 | variable ⁽¹⁾ | ALM_SYSREF_DET | SYSREF Alignment Circuit Alarms | 7.5.6 |
| 0x06 | variable ⁽¹⁾ | TEMP_PLLVOLT | Temperature Sensor and PLL Loop Voltage | 7.5.7 |
| 0x07-0x08 | 0x0000 | Reserved | Reserved | |
| 0x09 | 0x0000 | PAGE_SET | Page Set | 7.5.8 |
| 0x0A-0x77 | 0x0000 | Reserved | Reserved | |
| 0x78 | 0x0000 | SYSREF_ALIGN_R | SYSREF Align to r1 and r3 Count | 7.5.9 |
| 0x79 | 0x0000 | SYSREF12_CNT | SYSREF Phase Count 1 and 2 | 7.5.10 |
| 0x7A | 0x0000 | SYSREF34_CNT | SYSREF Phase Count 3 and 4 | 7.5.11 |
| 0x7B-0x7E | 0x0000 | Reserved | Reserved | |
| 0x7F | variable | VENDOR_VER | Vendor ID and Chip Version | 7.5.12 |
| Multi-DUC Configuration Registers (PAGE_SET[0] = 1 for multi-DUC1, PAGE_SET[1] = 1 for multi-DUC2) | | | | |
| 0x0A | 0x02B0 | MULTIDUC_CFG1 | Multi-DUC Configuration (PAP, Interpolation) | 7.5.13 |
| 0x0B | 0x0000 | Reserved | Reserved | |
| 0x0C | 0x2402 | MULTIDUC_CFG2 | Multi-DUC Configuration (Mixers) | 7.5.14 |
| 0x0D | 0x8000 | JESD_FIFO | JESD FIFO Control | 7.5.15 |
| 0x0E | 0x00FF | ALM_MASK1 | Alarm Mask 1 | 7.5.16 |
| 0x0F | 0xFFFF | ALM_MASK2 | Alarm Mask 2 | 7.5.17 |
| 0x10 | 0xFFFF | ALM_MASK3 | Alarm Mask 3 | 7.5.18 |
| 0x11 | 0xFFFF | ALM_MASK4 | Alarm Mask 4 | 7.5.19 |
| 0x12 | 0x0000 | JESD_LN_SKEW | JESD Lane Skew | 7.5.20 |
| 0x13-0x16 | 0x0000 | Reserved | Reserved | |
| 0x17 | 0x0000 | CMIX | CMIX Configuration | 7.5.21 |
| 0x18 | 0x0000 | Reserved | Reserved | |
| 0x19 | 0x0000 | OUTSUM | Output Summation and Delay | 7.5.22 |
| 0x1A-0x1B | 0x0000 | Reserved | Reserved | |
| 0x1C | 0x0000 | PHASE_NCOAB | Phase offset for AB path NCO | 7.5.23 |

表 7-43. Register Summary (続き)

| Address | Reset | Acronym | Register Name | Section |
|-----------|--------|----------------|---|------------------------|
| 0x1D | 0x0000 | PHASE_NCOCD | Phase offset for CD path NCO | 7.5.24 |
| 0x1E-0x20 | 0x0000 | FREQ_NCOAB | Frequency for AB path NCO | 7.5.25 |
| 0x21-0x23 | 0x0000 | FREQ_NCOCD | Frequency for CD path NCO | 7.5.26 |
| 0x24 | 0x0010 | SYSREF_CLKDIV | SYSREF Use for Clock Divider | 7.5.27 |
| 0x25 | 0x7700 | SERDES_CLK | Serdes Clock Control | 7.5.28 |
| 0x26 | 0x0000 | Reserved | Reserved | |
| 0x27 | 0x1144 | SYNCSEL1 | Sync Source Selection | 7.5.29 |
| 0x28 | 0x0000 | SYNCSEL2 | Sync Source Selection | 7.5.30 |
| 0x29 | 0x0000 | PAP_GAIN_AB | PAP path AB Gain Attenuation Step | 7.5.31 |
| 0x2A | 0x0000 | PAP_WAIT_AB | PAP path AB Wait Time at Gain = 0 | 7.5.32 |
| 0x2B | 0x0000 | PAP_GAIN_CD | PAP path CD Gain Attenuation Step | 7.5.33 |
| 0x2C | 0x0000 | PAP_WAIT_CD | PAP path CD Wait Time at Gain = 0 | 7.5.34 |
| 0x2D | 0x1FFF | PAP_CFG_AB | PAP path AB Configuration | 7.5.35 |
| 0x2E | 0x1FFF | PAP_CFG_CD | PAP path CD Configuration | 7.5.36 |
| 0x2F | 0x0000 | SPIDAC_TEST1 | Configuration for DAC SPI Constant | 7.5.37 |
| 0x30 | 0x0000 | SPIDAC_TEST2 | DAC SPI Constant | 7.5.38 |
| 0x31 | 0x0000 | Reserved | Reserved | |
| 0x32 | 0x0400 | GAINAB | Gain for path AB | 7.5.39 |
| 0x33 | 0x0400 | GAINCD | Gain for path CD | 7.5.40 |
| 0x34-0x40 | 0x0000 | Reserved | Reserved | |
| 0x41 | 0x0000 | JESD_ERR_CNT | JESD Error Counter | 7.5.41 |
| 0x42-0x45 | 0x0000 | Reserved | Reserved | |
| 0x46 | 0x0044 | JESD_ID1 | JESD ID 1 | 7.5.42 |
| 0x47 | 0x190A | JESD_ID2 | JESD ID 2 | 7.5.43 |
| 0x48 | 0x31C3 | JESD_ID3 | JESD ID 3 and Subclass | 7.5.44 |
| 0x49 | 0x0000 | Reserved | Reserved | |
| 0x4A | 0x0003 | JESD_LN_EN | JESD Lane Enable | 7.5.45 |
| 0x4B | 0x1300 | JESD_RBD_F | JESD RBD Buffer and Frame Octets | 7.5.46 |
| 0x4C | 0x1303 | JESD_K_L | JESD K and L Parameters | 7.5.47 |
| 0x4D | 0x0100 | JESD_M_S | JESD M and S Parameters | 7.5.48 |
| 0x4E | 0x0F4F | JESD_N_HD_SCR | JESD N, HD and SCR Parameters | 7.5.49 |
| 0x4F | 0x1CC1 | JESD_MATCH | JESD Character Match and Other | 7.5.50 |
| 0x50 | 0x0000 | JESD_LINK_CFG | JESD Link Configuration Data | 7.5.51 |
| 0x51 | 0x00FF | JESD_SYNC_REQ | JESD Sync Request | 7.5.52 |
| 0x52 | 0x00FF | JESD_ERR_OUT | JESD Error Output | 7.5.53 |
| 0x53 | 0x0100 | JESD_ILA_CFG1 | JESD Configuration Value used for ILA Check | 7.5.54 |
| 0x54 | 0x8E60 | JESD_ILA_CFG2 | JESD Configuration Value used for ILA Check | 7.5.55 |
| 0x55-0x5B | 0x0000 | Reserved | Reserved | |
| 0x5C | 0x0001 | JESD_SYSR_MODE | JESD SYSREF Mode | 7.5.56 |
| 0x5D-0x5E | 0x0000 | Reserved | Reserved | |
| 0x5F | 0x0123 | JESD_CROSSBAR1 | JESD Crossbar Configuration 1 | 7.5.57 |
| 0x60 | 0x4567 | JESD_CROSSBAR2 | JESD Crossbar Configuration 2 | 7.5.58 |
| 0x61-0x63 | 0x0000 | Reserved | Reserved | |
| 0x64 | 0x0000 | JESD_ALM_L0 | JESD Alarms for Lane 0 | 7.5.59 |
| 0x65 | 0x0000 | JESD_ALM_L1 | JESD Alarms for Lane 1 | 7.5.60 |
| 0x66 | 0x0000 | JESD_ALM_L2 | JESD Alarms for Lane 2 | 7.5.61 |
| 0x67 | 0x0000 | JESD_ALM_L3 | JESD Alarms for Lane 3 | 7.5.62 |
| 0x68 | 0x0000 | JESD_ALM_L4 | JESD Alarms for Lane 4 | 7.5.63 |

表 7-43. Register Summary (続き)

| Address | Reset | Acronym | Register Name | Section |
|--|--------|------------------|--|------------------------|
| 0x69 | 0x0000 | JESD_ALM_L5 | JESD Alarms for Lane 5 | 7.5.64 |
| 0x6A | 0x0000 | JESD_ALM_L6 | JESD Alarms for Lane 6 | 7.5.65 |
| 0x6B | 0x0000 | JESD_ALM_L7 | JESD Alarms for Lane 7 | 7.5.66 |
| 0x6C | 0x0000 | ALM_SYSREF_PAP | SYSREF and PAP Alarms | 7.5.67 |
| 0x6D | 0x0000 | ALM_CLKDIV1 | Clock Divider Alarms 1 | 7.5.68 |
| 0x6E-0x77 | 0x0000 | Reserved | Reserved | |
| Miscellaneous Configuration Registers (PAGE_SET[1:0] = 00, PAGE_SET[2] = 1) | | | | |
| 0x0A | 0xFC03 | CLK_CONFIG | Clock Configuration | 7.5.69 |
| 0x0B | 0x0022 | SLEEP_CONFIG | Sleep Configuration | 7.5.70 |
| 0x0C | 0xA002 | CLK_OUT | Divided Output Clock Configuration | 7.5.71 |
| 0x0D | 0xF000 | DACFS | DAC Fullscale Current | 7.5.72 |
| 0x0E-0x0F | 0x0000 | Reserved | Reserved | |
| 0x10 | 0x0000 | LCMGEN | Internal sysref generator | 7.5.73 |
| 0x11 | 0x0000 | LCMGEN_DIV | Counter for internal sysref generator | 7.5.74 |
| 0x12 | 0x0000 | LCMGEN_SPISYSREF | SPI SYSREF for internal sysref generator | 7.5.75 |
| 0x13-0x1A | 0x0000 | Reserved | Reserved | |
| 0x1B | 0x0000 | DTEST | Digital Test Signals | 7.5.76 |
| 0x1C-0x22 | 0x0000 | Reserved | Reserved | |
| 0x23 | 0xFFFF | SLEEP_CNTL | Sleep Pin Control | 7.5.77 |
| 0x24 | 0x1000 | SYSR_CAPTURE | SYSREF Capture Circuit Control | 7.5.78 |
| 0x25-0x30 | 0x0000 | Reserved | Reserved | |
| 0x31 | 0x0200 | CLK_PLL_CFG | Clock Input and PLL Configuration | 7.5.79 |
| 0x32 | 0x0308 | PLL_CONFIG1 | PLL Configuration 1 | 7.5.80 |
| 0x33 | 0x4018 | PLL_CONFIG2 | PLL Configuration 2 | 7.5.81 |
| 0x34 | 0x0000 | LVDS_CONFIG | LVDS Output Configuration | 7.5.82 |
| 0x35 | 0x0018 | PLL_FDIV | Fuse farm clock divider | 7.5.83 |
| 0x36-0x3A | 0x0000 | Reserved | Reserved | |
| 0x3B | 0x1802 | SRDS_CLK_CFG | Serdes Clock Configuration | 7.5.84 |
| 0x3C | 0x8228 | SRDS_PLL_CFG | Serdes PLL Configuration | 7.5.85 |
| 0x3D | 0x0088 | SRDS_CFG1 | Serdes Configuration 1 | 7.5.86 |
| 0x3E | 0x0909 | SRDS_CFG2 | Serdes Configuration 2 | 7.5.87 |
| 0x3F | 0x0000 | SRDS_POL | Serdes Polarity Control | 7.5.88 |
| 0x40-0x75 | 0x0000 | Reserved | Reserved | |
| 0x76 | 0x0000 | SYNCBOUT | JESD204B SYNCB Output | 7.5.89 |

(1) Reflect immediately on system condition and error condition.

7.5.1 Chip Reset and Configuration Register (address = 0x00) [reset = 0x5803]

図 7-34. Chip Reset and Configuration Register (RESET_CONFIG)

| | | | | | | | | | | | | | | | |
|----|---|----|---|----|---|----|---|----|---|----|---|----|---|----|---|
| 15 | | 14 | | 13 | | 12 | | 11 | | 10 | | 9 | | 8 | |
| 0 | 0 | 0 | 0 | 0 | 0 | 0 | 0 | 0 | 0 | 0 | 0 | 0 | 0 | 0 | x |
| RW | | RW | | RW | | RW | | RW | | RW | | RW | | RW | |
| 7 | | 6 | | 5 | | 4 | | 3 | | 2 | | 1 | | 0 | |
| 0 | 0 | 0 | 0 | 0 | 0 | 0 | 0 | 0 | 0 | 0 | 0 | 0 | 0 | 0 | 0 |
| RW | | RW | | RW | | RW | | RW | | RW | | RW | | RW | |

LEGEND: R/W = Read/Write; R = Read only; -n = value after reset

表 7-44. RESET_CONFIG Field Descriptions

| Bit | Field | Type | Reset | Description |
|------|---------------|------|-------|--|
| 15 | SPI_RESET | RW | 0 | This will reset all the SPI registers once programmed. |
| 14 | ALM_OUT_POL | RW | 1 | Changes the polarity of the alarm output. 0= active low 1= active high |
| 13 | ALM_OUT_ENA | RW | 0 | Turn on the alarm pin |
| 12 | SYSCLK_ENA | RW | 1 | Turns on the dividers for the SYSCLK to the Fusefarm |
| 11 | AUTOLOAD_TRIG | RW | 1 | Causes a Fuse AUTOLOAD to be executed. |
| 10:7 | Reserved | RW | 0000 | Reserved |
| 6 | ONE_DAC_ONLY | RW | 0 | When set high only the SLICE0 is available. |
| 5 | ONE_LINK_ONLY | RW | 0 | This needs to be set high when a single link setup is being programmed to get the correct TXENABLE signal generation |
| 4:2 | Reserved | RW | 000 | Reserved |
| 1 | INIT_SLICE1 | RW | 1 | Puts the multi-DAC2 JESD into initialization state |
| 0 | INIT_SLICE0 | RW | 1 | Puts the multi-DAC1 JESD into initialization state |

7.5.2 IO Configuration Register (address = 0x01) [reset = 0x1800]

図 7-35. IO Configuration Register (IO_CONFIG)

| | | | | | | | |
|-----|-----|-----|-----|-----|-----|-----|-----|
| 15 | 14 | 13 | 12 | 11 | 10 | 9 | 8 |
| 0 | 0 | 0 | 1 | 1 | 0 | 0 | x |
| R/W | R/W | R/W | R/W | R/W | R/W | R/W | R/W |
| 7 | 6 | 5 | 4 | 3 | 2 | 1 | 0 |
| 0 | 0 | 0 | 0 | 0 | 0 | 0 | 1 |
| R/W | R/W | R/W | R/W | R/W | R/W | R/W | R/W |

LEGEND: R/W = Read/Write; R = Read only; -n = value after reset

表 7-45. IO_CONFIG Field Descriptions

| Bit | Field | Type | Reset | Description |
|-------|------------|------|--------|---|
| 15:14 | GPO0_SEL | RW | 00 | Selects the JESD SYNC_N signal coming out the GPO0 pin. Both bits can be asserted which does an oring of the SYNC_N signals from each multi-DUC. bit 0 = 1 then multi-DUC1 SYNC_N used bit 1 = 1 then multi-DUC2 SYNC_N is used |
| 13:12 | SYNC0B_SEL | RW | 01 | Selects the JESD SYNC_N signal coming out the SYNC0B pin. Both bits can be asserted which does an AND of the two SYNC_N signals from each multi-DUC. bit 0 = 1 then multi-DUC1 SYNC_N used bit 1 = 1 then multi-DUC2 SYNC_N is used |
| 11:10 | SYNC1B_SEL | RW | 10 | Selects the JESD SYNC_N signal coming out the SYNC1B pin. Both bits can be asserted which does an AND of the two SYNC_N signals from each multi-DUC. bit 0 = 1 then multi-DUC1 SYNC_N used bit 1 = 1 then multi-DUC2 SYNC_N is used |
| 9:8 | GPO1_SEL | RW | 00 | Selects the JESD SYNC_N signal coming out the GPO1 pin. Both bits can be asserted which does an oring of the SYNC_N signals from each multi-DUC. bit 0 = 1 then multi-DUC1 SYNC_N used bit 1 = 1 then multi-DUC2 SYNC_N is used |
| 7 | SPI4_ENA | RW | 0 | When set to a '1' the chip is in 4 pin SPI interface mode. |
| 6 | Reserved | RW | 0 | Reserved |
| 5:0 | ATEST | RW | 000000 | Select the analog test points: 000000: ATEST is off (ATEST Must be off during normal operation) 000001, 010001, 000110: VSSCLK 000010: VDDPLL1 000101: VDDCLK 000111, 001010, 010000: VDDAPLL18 001011: VDDAVCO18 001101: VDDS18 001110: VDDE1 001111, 111010, 111011, 111100: DGND 010011: VDDTX1 101001, 110001: AGND 101111, 111101, 111110, 111111: VDDDIG1 110000: VDDA18 |

7.5.3 Lane Single Detect Alarm Mask Register (address = 0x02) [reset = 0xFFFF]

図 7-36. Lane Single Detect Alarm Mask Register (ALM_SD_MASK)

| | | | | | | | |
|-----|-----|-----|-----|-----|-----|-----|-----|
| 15 | 14 | 13 | 12 | 11 | 10 | 9 | 8 |
| 0 | 0 | 0 | 0 | 0 | 0 | 0 | x |
| R/W | R/W | R/W | R/W | R/W | R/W | R/W | R/W |
| 7 | 6 | 5 | 4 | 3 | 2 | 1 | 0 |
| 0 | 0 | 0 | 0 | 0 | 0 | 1 | 0 |
| R/W | R/W | R/W | R/W | R/W | R/W | R/W | R/W |

LEGEND: R/W = Read/Write; R = Read only; -n = value after reset

表 7-46. ALM_SD_MASK Field Descriptions

| Bit | Field | Type | Reset | Description |
|------|-------------|------|--------|---|
| 15:0 | ALM_SD_MASK | R/W | 0xFFFF | Used to mask alarms bit 15 - bit 8 : Reserved bit7 : lane 7 loss of signal detect bit6 : lane 6 loss of signal detect bit5 : lane 5 loss of signal detect bit4 : lane 4 loss of signal detect bit3 : lane 3 loss of signal detect bit2 : lane 2 loss of signal detect bit1 : lane1 loss of signal detect bit0 : lane 0 loss of signal detect |

7.5.4 Clock Alarms Mask Register (address = 0x03) [reset = 0xFFFF]

図 7-37. Clock Alarms Mask Register (ALM_CLK_MASK)

| | | | | | | | |
|-----|-----|-----|-----|-----|-----|-----|-----|
| 15 | 14 | 13 | 12 | 11 | 10 | 9 | 8 |
| 0 | 0 | 0 | 0 | 0 | 0 | 0 | x |
| R/W | R/W | R/W | R/W | R/W | R/W | R/W | R/W |
| 7 | 6 | 5 | 4 | 3 | 2 | 1 | 0 |
| 0 | 0 | 0 | 0 | 0 | 0 | 1 | 1 |
| R/W | R/W | R/W | R/W | R/W | R/W | R/W | R/W |

LEGEND: R/W = Read/Write; R = Read only; -n = value after reset

表 7-47. ALM_CLK_MASK Field Descriptions

| Bit | Field | Type | Reset | Description |
|------|--------------|------|--------|--|
| 15:0 | ALM_CLK_MASK | R/W | 0xFFFF | Used to mask alarms bit 15 - bit 8 : Reserved bit 7 : alarm_sysrefphase4 bit 6 : alarm_sysrefphase3 bit 5 : alarm_sysrefphase2 bit 4 : alarm_sysrefphase1 bit 3 : alarm_align_to_r3 bit 2 : alarm_align_to_r1 bit 1 : alarm_sd0_pll bit 0 : alarm_sd1_pll |

7.5.5 SERDES Loss of Signal Detection Alarms Register (address = 0x04) [reset = 0x0000]

図 7-38. SERDES Loss of Signal Detection Alarms Register (ALM_SD_DET)

| | | | | | | | | | | | | | | | |
|-----|--|-----|--|-----|--|-----|--|-----|--|-----|--|-----|--|-----|--|
| 15 | | 14 | | 13 | | 12 | | 11 | | 10 | | 9 | | 8 | |
| 0 | | 0 | | 0 | | 0 | | 0 | | 0 | | 0 | | x | |
| W0C | | W0C | | W0C | | W0C | | W0C | | W0C | | W0C | | W0C | |
| 7 | | 6 | | 5 | | 4 | | 3 | | 2 | | 1 | | 0 | |
| 0 | | 0 | | 0 | | 0 | | 0 | | 1 | | 0 | | 0 | |
| W0C | | W0C | | W0C | | W0C | | W0C | | W0C | | W0C | | W0C | |

LEGEND: R/W = Read/Write; R = Read only; W0C = Write 0 to clear bit; -n = value after reset

表 7-48. ALM_SD_DET Field Descriptions

| Bit | Field | Type | Reset | Description |
|------|---------------|------|-------|--|
| 15:8 | Reserved | W0C | 0x00 | Reserved |
| 7:0 | ALM_SD_LOSDET | W0C | 0x00 | Loss of signal detect outputs from the SERDES lanes: bit 7 = lane7 loss of signal bit 6 = lane6 loss of signal bit 5 = lane5 loss of signal bit 4 = lane4 loss of signal bit 3 = lane3 loss of signal bit 2 = lane2 loss of signal bit 1 = lane1 loss of signal bit 0 = lane0 loss of signal |

7.5.6 SYSREF Alignment Circuit Alarms Register (address = 0x05) [reset = variable]

図 7-39. SYSREF Alignment Circuit Alarms Register (ALM_SYSREF_DET)

| | | | | | | | |
|-----|-----|-----|-----|-----|-----|-----|-----|
| 15 | 14 | 13 | 12 | 11 | 10 | 9 | 8 |
| 0 | 0 | 0 | 0 | 0 | 0 | 0 | x |
| W0C | W0C | W0C | W0C | W0C | W0C | W0C | W0C |
| 7 | 6 | 5 | 4 | 3 | 2 | 1 | 0 |
| 0 | 0 | 0 | 0 | 0 | 1 | 0 | 1 |
| W0C | W0C | W0C | W0C | W0C | W0C | W0C | W0C |

LEGEND: R/W = Read/Write; R = Read only; W0C = Write 0 to clear bit; -n = value after reset

表 7-49. ALM_SYSREF_DET Field Descriptions

| Bit | Field | Type | Reset | Description |
|------|-----------------|------|---------|---|
| 15:9 | Reserved | W0C | 0000000 | Reserved |
| 8 | ALM_SYSRPHASE4 | W0C | 0 | If high the sysrefphase4 state has been observed in the sysrefalign logic at least once since the last sysrefalign sync. |
| 7 | ALM_SYSRPHASE3 | W0C | 0 | If high the sysrefphase3 state has been observed in the sysrefalign logic at least once since the last sysrefalign sync. |
| 6 | ALM_SYSRPHASE2 | W0C | 0 | If high the sysrefphase2 state has been observed in the sysrefalign logic at least once since the last sysrefalign sync. |
| 5 | ALM_SYSRPHASE1 | W0C | 0 | If high the sysrefphase1 state has been observed in the sysrefalign logic at least once since the last sysrefalign sync. |
| 4 | ALM_ALIGN_TO_R3 | W0C | 0 | If high the align_to_r3 state has been observed in the sysrefalign logic at least once since the last sysrefalign sync. TI Internal use only. |
| 3 | ALM_ALIGN_TO_R1 | W0C | 0 | If high the align_to_r1 state has been observed in the sysrefalign logic at least once since the last sysrefalign sync. TI Internal use only. |
| 2 | ALM_SD0_PLL | W0C | 0 | Driven high if the PLL in the Serdes 0 block goes out of lock. A false alarm is generated at startup when the PLL is locking. User will have to reset this bit after start to monitor accurately. |
| 1 | ALM_SD1_PLL | W0C | 0 | Driven high if the PLL in the Serdes 1 block goes out of lock. A false alarm is generated at startup when the PLL is locking. User will have to reset this bit after start to monitor accurately. |
| 0 | PLL_LOCK | W0C | 0 | Asserted when PLL is unlocked. |

7.5.7 Temperature Sensor and PLL Loop Voltage Register (address = 0x06) [reset = variable]

図 7-40. Temperature Sensor and PLL Loop Voltage Register (TEMP_PLLVOLT)

| | | | | | | | |
|----|----|----|----|----|----|---|---|
| 15 | 14 | 13 | 12 | 11 | 10 | 9 | 8 |
| 0 | 0 | 0 | 0 | 0 | 0 | 0 | x |
| R | R | R | R | R | R | R | R |
| 7 | 6 | 5 | 4 | 3 | 2 | 1 | 0 |
| 0 | 0 | 0 | 0 | 0 | 1 | 1 | 0 |
| R | R | R | R | R | R | R | R |

LEGEND: R/W = Read/Write; R = Read only; -n = value after reset

表 7-50. TEMP_PLLVOLT Field Descriptions

| Bit | Field | Type | Reset | Description |
|------|------------|------|-------|--|
| 15:8 | TEMPDATA | R | 0x00 | 8 bits of data from the temperature sensor |
| 7:5 | PLL_LFVOLT | R | 0b000 | PLL Loop filter voltage |
| 4:0 | Reserved | R | 0b000 | Reserved |

7.5.8 Page Set Register (address = 0x09) [reset = 0x0000]

図 7-41. Page Set Register (PAGE_SET)

| | | | | | | | |
|-----|-----|-----|-----|-----|-----|-----|-----|
| 15 | 14 | 13 | 12 | 11 | 10 | 9 | 8 |
| 0 | 0 | 0 | 0 | 0 | 0 | 0 | x |
| R/W | R/W | R/W | R/W | R/W | R/W | R/W | R/W |
| 7 | 6 | 5 | 4 | 3 | 2 | 1 | 0 |
| 0 | 0 | 0 | 0 | 1 | 0 | 0 | 1 |
| R/W | R/W | R/W | R/W | R/W | R/W | R/W | R/W |

LEGEND: R/W = Read/Write; R = Read only; -n = value after reset

表 7-51. PAGE_SET Field Descriptions

| Bit | Field | Type | Reset | Description |
|------|----------|------|--------|--|
| 15:0 | PAGE_SET | R/W | 0x0000 | Each bit selects a page that is active. Multiple pages can be selected at the same time. No bits asserted means that MASTER is the only page selected. bit 0 = page0 : multi-DUC1 bit 1 = page1 : multi-DUC2 bit 2 = page2 : DIG_MISC bit 3-15: Reserved |

7.5.9 SYSREF Align to r1 and r3 Count Register (address = 0x78) [reset = 0x0000]

図 7-42. SYSREF Align to r1 and r3 Count Register (SYSREF_ALIGN_R)

| | | | | | | | |
|----|----|----|----|----|----|---|---|
| 15 | 14 | 13 | 12 | 11 | 10 | 9 | 8 |
| 0 | 0 | 0 | 0 | 0 | 0 | 0 | x |
| R | R | R | R | R | R | R | R |
| 7 | 6 | 5 | 4 | 3 | 2 | 1 | 0 |
| 0 | 1 | 1 | 1 | 1 | 0 | 0 | 0 |
| R | R | R | R | R | R | R | R |

LEGEND: R/W = Read/Write; R = Read only; -n = value after reset

表 7-52. SYSREF_ALIGN_R Field Descriptions

| Bit | Field | Type | Reset | Description |
|------|-----------------|------|-------|--------------------------------|
| 15:8 | ALIGN_TO_R1_CNT | R | 0x00 | Part of the SYSREF Align block |
| 7:0 | ALIGN_TO_R3_CNT | R | 0x00 | Part of the SYSREF Align block |

7.5.10 SYSREF Phase Count 1 and 2 Register (address = 0x79) [reset = 0x0000]

図 7-43. SYSREF Phase Count 1 and 2 Register (SYSREF12_CNT)

| | | | | | | | |
|----|----|----|----|----|----|---|---|
| 15 | 14 | 13 | 12 | 11 | 10 | 9 | 8 |
| 0 | 0 | 0 | 0 | 0 | 0 | 0 | x |
| R | R | R | R | R | R | R | R |
| 7 | 6 | 5 | 4 | 3 | 2 | 1 | 0 |
| 0 | 1 | 1 | 1 | 1 | 0 | 0 | 1 |
| R | R | R | R | R | R | R | R |

LEGEND: R/W = Read/Write; R = Read only; -n = value after reset

表 7-53. SYSREF12_CNT Field Descriptions

| Bit | Field | Type | Reset | Description |
|------|------------|------|-------|--------------------------------|
| 15:8 | PHASE2_CNT | R | 0x00 | Part of the SYSREF Align block |
| 7:0 | PHASE1_CNT | R | 0x00 | Part of the SYSREF Align block |

7.5.11 SYSREF Phase Count 3 and 4 Register (address = 0x7A) [reset = 0x0000]

図 7-44. SYSREF Phase Count 3 and 4 Register (SYSREF34_CNT)

| | | | | | | | |
|----|----|----|----|----|----|---|---|
| 15 | 14 | 13 | 12 | 11 | 10 | 9 | 8 |
| 0 | 0 | 0 | 0 | 0 | 0 | 0 | x |
| R | R | R | R | R | R | R | R |
| 7 | 6 | 5 | 4 | 3 | 2 | 1 | 0 |
| 0 | 1 | 1 | 1 | 1 | 0 | 1 | 0 |
| R | R | R | R | R | R | R | R |

LEGEND: R/W = Read/Write; R = Read only; -n = value after reset

表 7-54. SYSREF34_CNT Field Descriptions

| Bit | Field | Type | Reset | Description |
|------|------------|------|-------|--------------------------------|
| 15:8 | PHASE4_CNT | R | 0x00 | Part of the SYSREF Align block |
| 7:0 | PHASE3_CNT | R | 0x00 | Part of the SYSREF Align block |

7.5.12 Vendor ID and Chip Version Register (address = 0x7F) [reset = 0x0009]

図 7-45. Vendor ID and Chip Version Register (VENDOR_VER)

| | | | | | | | |
|----|----|----|----|----|----|---|---|
| 15 | 14 | 13 | 12 | 11 | 10 | 9 | 8 |
| 0 | 0 | 0 | 0 | 0 | 0 | 0 | x |
| R | R | R | R | R | R | R | R |
| 7 | 6 | 5 | 4 | 3 | 2 | 1 | 0 |
| 0 | 1 | 1 | 1 | 1 | 1 | 1 | 1 |
| R | R | R | R | R | R | R | R |

LEGEND: R/W = Read/Write; R = Read only; -n = value after reset

表 7-55. VENDOR_VER Field Descriptions

| Bit | Field | Type | Reset | Description |
|-------|---------------|------|-------|---|
| 15 | AUTOLOAD_DONE | R | 0 | Asserted when the Fusefarm Autoload sequence is done |
| 14:10 | EFC_ERR | R | 00000 | The error output from the fuse farm. |
| 9:5 | Reserved | R | 00000 | Reserved |
| 4:3 | VENDORID | R | 01 | TI identification |
| 2:0 | VERSION | R | 001 | Bits to determine what version of build for the chip. |

7.5.13 Multi-DUC Configuration (PAP, Interpolation) Register (address = 0x0A) [reset = 0x02B0]

図 7-46. Multi-DUC Configuration (PAP, Interpolation) Register (MULTIDUC_CFG1)

| | | | | | | | |
|-----|-----|-----|-----|-----|-----|-----|-----|
| 15 | 14 | 13 | 12 | 11 | 10 | 9 | 8 |
| 0 | 0 | 0 | 0 | 0 | 0 | 0 | x |
| R/W | R/W | R/W | R/W | R/W | R/W | R/W | R/W |
| 7 | 6 | 5 | 4 | 3 | 2 | 1 | 0 |
| 1 | 0 | 0 | 0 | 1 | 0 | 1 | 0 |
| R/W | R/W | R/W | R/W | R/W | R/W | R/W | R/W |

LEGEND: R/W = Read/Write; R = Read only; -n = value after reset

表 7-56. MULTIDUC_CFG1 Field Descriptions

| Bit | Field | Type | Reset | Description |
|------|----------------|------|-------|---|
| 15 | DUAL_IQ | R/W | 0 | When asserted the SLICE uses both IQ paths |
| 14 | ISFIR_ENA | R/W | 0 | Turns on the inverse sync filter for the AB and CD paths when programmed to 1. |
| 13 | Not used | R/W | 0 | Not used |
| 12:8 | INTERP | R/W | 00010 | Determines the interpolation amount. 00000: 1x 00001: 2x 00010: 4x 00011: 6x 00100: 8x 00101: 10x 00110: 12x 01000: 16x 01001: 18x 01010: 20x 01100: 24x |
| 7 | ALM_ZEROS_TXEN | R/W | 1 | When asserted any alarm that isn't masked will mid-level the DAC output by setting the txenable_from_dig to '0' |
| 6 | DAC_COMPLEMENT | R/W | 0 | When asserted the DAC output will be 2's complemented. This helps with hookup at the board level. |
| 5 | ALM_ZEROS_JESD | R/W | 1 | When asserted any alarm that isn't masked will zero the data coming out of the JESD block. |
| 4 | ALM_OUT_ENA | R/W | 1 | When asserted the output from the selected SLICE will be passed on to the MASTER alarm control if it is also turned on then the alarm will be sent to the pad_alarm pin. |
| 3 | PAPA_ENA | R/W | 0 | Turns on the Power Amp Protection logic for path A. |
| 2 | PAPB_ENA | R/W | 0 | Turns on the Power Amp Protection logic for path B. |
| 1 | PAPC_ENA | R/W | 0 | Turns on the Power Amp Protection logic for path C. |
| 0 | PAPD_ENA | R/W | 0 | Turns on the Power Amp Protection logic for path D. |

7.5.14 Multi-DUC Configuration (Mixers) Register (address = 0x0C) [reset = 0x2402]

図 7-47. Multi-DUC Configuration (Mixers) Register (MULTIDUC_CFG2)

| | | | | | | | |
|-----|-----|-----|-----|-----|-----|-----|-----|
| 15 | 14 | 13 | 12 | 11 | 10 | 9 | 8 |
| 0 | 0 | 0 | 0 | 0 | 1 | 0 | x |
| R/W | R/W | R/W | R/W | R/W | R/W | R/W | R/W |
| 7 | 6 | 5 | 4 | 3 | 2 | 1 | 0 |
| 0 | 0 | 0 | 0 | 1 | 1 | 0 | 0 |
| R/W | R/W | R/W | R/W | R/W | R/W | R/W | R/W |

LEGEND: R/W = Read/Write; R = Read only; -n = value after reset

表 7-57. MULTIDUC_CFG2 Field Descriptions

| Bit | Field | Type | Reset | Description |
|-------|-----------------|------|-------|--|
| 15:14 | DAC_BITWIDTH | R/W | 0b00 | Determines the bit width of the data going to the DAC 00: 14 bits 01: 14 bits 10: 12 bits 11: 11 bits |
| 13 | ZERO_INVLD_DATA | R/W | 1 | When asserted; the data from the JESD block is zeroed in the mapper to prevent goofy output from the DAC. For test purposes this bit should be desasserted |
| 12 | SHORTTEST_ENA | R/W | 0 | Turns on the JESD SHORT pattern test (5.1.6.2) |
| 11 | Reserved | R/W | 0 | Reserved |
| 10 | Reserved | R/W | 1 | Reserved |
| 9 | MIXERAB_ENA | R/W | 0 | Turns on the mixer for the A and B streams |
| 8 | MIXERCD_ENA | R/W | 0 | Turns on the mixer for the C and D streams |
| 7 | MIXERAB_GAIN | R/W | 0 | Adds 6dB of gain when asserted |
| 6 | MIXERCD_GAIN | R/W | 0 | Adds 6dB of gain when asserted |
| 5 | NCOAB_ENA | R/W | 0 | When high the full NCO block is turned on. |
| 4 | NCOCD_ENA | R/W | 0 | When high the full NCO block is turned on. |
| 3:2 | Reserved | R/W | 00 | Reserved |
| 1 | TWOS | R/W | 1 | When asserted the chip is expecting 2's complement data is arriving through the JESD; otherwise offset binary is expected |
| 0 | Reserved | R/W | 0 | Reserved |

7.5.15 JESD FIFO Control Register (address = 0x0D)[reset = 0x8000]

図 7-48. JESD FIFO Control Register (JESD_FIFO)

| | | | | | | | |
|-----|-----|-----|-----|-----|-----|-----|-----|
| 15 | 14 | 13 | 12 | 11 | 10 | 9 | 8 |
| 0 | 0 | 0 | 0 | 0 | 0 | 0 | x |
| R/W | R/W | R/W | R/W | R/W | R/W | R/W | R/W |
| 7 | 6 | 5 | 4 | 3 | 2 | 1 | 0 |
| 0 | 0 | 0 | 0 | 1 | 1 | 0 | 1 |
| R/W | R/W | R/W | R/W | R/W | R/W | R/W | R/W |

LEGEND: R/W = Read/Write; R = Read only; -n = value after reset

表 7-58. JESD_FIFO Field Descriptions

| Bit | Field | Type | Reset | Description |
|-------|-------------------|------|-------|---|
| 15 | FIFO_ZEROS_DATA | R/W | 1 | When asserted FIFO errors zero the data out of the JESD block. For test purposes this could be turned off to allow test patterns in the FIFO. |
| 14:13 | NOT USED | R/W | 000 | Not Used |
| 12 | SRDS_FIFO_ALM_CLR | R/W | 0 | Set to 1 to clear FIFO errors. Must be set to 0 for proper FIFO operation |
| 11 | Not used | R/W | 0 | Not used |
| 10:8 | FIFO_OFFSET | R/W | 0000 | Used to set the difference between read and write pointers in the JESD FIFO. |
| 7:1 | Reserved | R/W | 0 | Reserved |
| 0 | SPI_TXENABLE | R/W | 0 | When asserted the internal value of txenable = '1' |

7.5.16 Alarm Mask 1 Register (address = 0x0E) [reset = 0x00FF]

図 7-49. Alarm Mask 1 Register (ALM_MASK1)

| | | | | | | | |
|-----|-----|-----|-----|-----|-----|-----|-----|
| 15 | 14 | 13 | 12 | 11 | 10 | 9 | 8 |
| 0 | 0 | 0 | 0 | 0 | 0 | 0 | x |
| R/W | R/W | R/W | R/W | R/W | R/W | R/W | R/W |
| 7 | 6 | 5 | 4 | 3 | 2 | 1 | 0 |
| 0 | 0 | 0 | 0 | 1 | 1 | 1 | 0 |
| R/W | R/W | R/W | R/W | R/W | R/W | R/W | R/W |

LEGEND: R/W = Read/Write; R = Read only; -n = value after reset

表 7-59. ALM_MASK1 Field Descriptions

| Bit | Field | Type | Reset | Description |
|------|-----------|------|--------|---|
| 15:0 | ALM_MASK1 | R/W | 0x00FF | Each bit is used to mask an alarm. Assertion masks the alarm: bit 15 = mask lane7 lane errors bit 14 = mask lane6 lane errors bit 13 = mask lane5 lane errors bit 12 = mask lane4 lane errors bit 11 = mask lane3 lane errors bit 10 = mask lane2 lane errors bit 9 = mask lane1 lane errors bit 8 = mask lane0 lane errors bit 7 = mask lane7 FIFO flags bit 6 = mask lane6 FIFO flags bit 5 = mask lane5 FIFO flags bit 4 = mask lane4 FIFO flags bit 3 = mask lane3 FIFO flags bit 2 = mask lane2 FIFO flags bit 1 = mask lane1 FIFO flags bit 0 = mask lane0 FIFO flags |

7.5.17 Alarm Mask 2 Register (address = 0x0F) [reset = 0xFFFF]

図 7-50. Alarm Mask 2 Register (ALM_MASK2)

| | | | | | | | |
|-----|-----|-----|-----|-----|-----|-----|-----|
| 15 | 14 | 13 | 12 | 11 | 10 | 9 | 8 |
| 0 | 0 | 0 | 0 | 0 | 0 | 0 | x |
| R/W | R/W | R/W | R/W | R/W | R/W | R/W | R/W |
| 7 | 6 | 5 | 4 | 3 | 2 | 1 | 0 |
| 0 | 0 | 0 | 0 | 1 | 1 | 1 | 1 |
| R/W | R/W | R/W | R/W | R/W | R/W | R/W | R/W |

LEGEND: R/W = Read/Write; R = Read only; -n = value after reset

表 7-60. ALM_MASK2 Field Descriptions

| Bit | Field | Type | Reset | Description |
|------|------------|------|--------|--|
| 15:0 | ALMS_MASK2 | R/W | 0xFFFF | Each bit is used to mask an alarm. Assertion masks the alarm: bit 15 = not used bit 14 = not used bit 13 = not used bit 12 = mask SYSREF errors on link0 bit 11 = mask alarm from JESD shortest bit 10 = mask alarm from PAPP bit 9 = mask alarm from PAPP bit 8 = mask alarm from PAPP bit 7 = mask alarm from PAPP bit 6 = not used bit 5 = not used bit 4 = not used bit 3 = not used bit 2 = not used bit 1 = mask alarm_clkdiv192_eq_zero bit 0 = mask alarm_clkdiv192_eq_mult1 |

7.5.18 Alarm Mask 3 Register (address = 0x10) [reset = 0xFFFF]

図 7-51. Alarm Mask 3 Register (ALM_MASK3)

| | | | | | | | |
|-----|-----|-----|-----|-----|-----|-----|-----|
| 15 | 14 | 13 | 12 | 11 | 10 | 9 | 8 |
| | 0 | 0 | 0 | 0 | 0 | 0 | x |
| R/W | R/W | R/W | R/W | R/W | R/W | R/W | R/W |
| 7 | 6 | 5 | 4 | 3 | 2 | 1 | 0 |
| 0 | 0 | 0 | 1 | 0 | 0 | 0 | 0 |
| R/W | R/W | R/W | R/W | R/W | R/W | R/W | R/W |

LEGEND: R/W = Read/Write; R = Read only; -n = value after reset

表 7-61. ALM_MASK3 Field Descriptions

| Bit | Field | Type | Reset | Description |
|------|------------|------|--------|---|
| 15:0 | ALMS_MASK3 | R/W | 0xFFFF | Each bit is used to mask an alarm. Assertion masks the alarm: bit 15 = mask alarm_clkdiv8_eq_zero bit 14 = mask alarm_clkdiv12_eq_zero bit 13 = mask alarm_clkdiv16_eq_zero bit 12 = mask alarm_clkdiv18_eq_zero bit 11 = mask alarm_clkdiv20_eq_zero bit 10 = mask alarm_clkdiv32_eq_zero bit 9 = mask alarm_clkdiv36_eq_zero bit 8 = mask alarm_clkdiv40_eq_zero bit 7 = mask alarm_clkdiv48_eq_zero bit 6 = mask alarm_clkdiv64_eq_zero bit 5 = mask alarm_clkdiv72_eq_zero bit 4 = mask alarm_clkdiv80_eq_zero bit 3 = mask alarm_clkdiv96_eq_zero bit 2 = mask alarm_clkdiv128_eq_zero bit 1 = mask alarm_clkdiv144_eq_zero bit 0 = mask alarm_clkdiv160_eq_zero |

7.5.19 Alarm Mask 4 Register (address = 0x11) [reset = 0xFFFF]

図 7-52. Alarm Mask 4 Register (ALM_MASK4)

| | | | | | | | |
|-----|-----|-----|-----|-----|-----|-----|-----|
| 15 | 14 | 13 | 12 | 11 | 10 | 9 | 8 |
| 0 | 0 | 0 | 0 | 0 | 0 | 0 | x |
| R/W | R/W | R/W | R/W | R/W | R/W | R/W | R/W |
| 7 | 6 | 5 | 4 | 3 | 2 | 1 | 0 |
| 0 | 0 | 0 | 1 | 0 | 0 | 0 | 1 |
| R/W | R/W | R/W | R/W | R/W | R/W | R/W | R/W |

LEGEND: R/W = Read/Write; R = Read only; -n = value after reset

表 7-62. ALM_MASK4 Field Descriptions

| Bit | Field | Type | Reset | Description |
|------|------------|------|--------|---|
| 15:0 | ALMS_MASK4 | R/W | 0xFFFF | Each bit is used to mask an alarm. Assertion masks the alarm: bit 15 = mask alarm_clkdiv8_eq_mult1 bit 14 = mask alarm_clkdiv12_eq_mult1 bit 13 = mask alarm_clkdiv16_eq_mult1 bit 12 = mask alarm_clkdiv18_eq_mult1 bit 11 = mask alarm_clkdiv20_eq_mult1 bit 10 = mask alarm_clkdiv32_eq_mult1 bit 9 = mask alarm_clkdiv36_eq_mult1 bit 8 = mask alarm_clkdiv40_eq_mult1 bit 7 = mask alarm_clkdiv48_eq_mult1 bit 6 = mask alarm_clkdiv64_eq_mult1 bit 5 = mask alarm_clkdiv72_eq_mult1 bit 4 = mask alarm_clkdiv80_eq_mult1 bit 3 = mask alarm_clkdiv96_eq_mult1 bit 2 = mask alarm_clkdiv128_eq_mult1 bit 1 = mask alarm_clkdiv144_eq_mult1 bit 0 = mask alarm_clkdiv160_eq_mult1 |

7.5.20 JESD Lane Skew Register (address = 0x12) [reset = 0x0000]

図 7-53. JESD Lane Skew Register (JESD_LN_SKEW)

| | | | | | | | |
|----|----|----|----|----|----|---|---|
| 15 | 14 | 13 | 12 | 11 | 10 | 9 | 8 |
| 0 | 0 | 0 | 0 | 0 | 0 | 0 | x |
| R | R | R | R | R | R | R | R |
| 7 | 6 | 5 | 4 | 3 | 2 | 1 | 0 |
| 0 | 0 | 0 | 1 | 0 | 0 | 1 | 0 |
| R | R | R | R | R | R | R | R |

LEGEND: R/W = Read/Write; R = Read only; -n = value after reset

表 7-63. JESD_LN_SKEW Field Descriptions

| Bit | Field | Type | Reset | Description |
|------|-----------------|------|---------|---|
| 15:5 | NOT USED | R | 0x0000 | Not used |
| 4:0 | MEMIN_LANE_SKEW | R | 0b00000 | Measure of the lane skew for each link only. Bits are READ_ONLY |

7.5.21 CMIX Configuration Register (address = 0x17) [reset = 0x0000]

図 7-54. CMIX Configuration Register (CMIX)

| | | | | | | | |
|-----|-----|-----|-----|-----|-----|-----|-----|
| 15 | 14 | 13 | 12 | 11 | 10 | 9 | 8 |
| 0 | 0 | 0 | 0 | 0 | 0 | 0 | x |
| R/W | R/W | R/W | R/W | R/W | R/W | R/W | R/W |
| 7 | 6 | 5 | 4 | 3 | 2 | 1 | 0 |
| 0 | 0 | 0 | 1 | 0 | 1 | 1 | 1 |
| R/W | R/W | R/W | R/W | R/W | R/W | R/W | R/W |

LEGEND: R/W = Read/Write; R = Read only; -n = value after reset

表 7-64. CMIX Field Descriptions

| Bit | Field | Type | Reset | Description |
|-------|----------|------|---------------|---|
| 15:12 | CMIX_AB | R/W | 0x0 | These bits turn on the different coarse mixing options. Combining the different options together can result in every possible n x Fs/8 [n=0->7]. Below is the valid programming table: cmix=(mem_fs8; mem_fs4; mem_fs2; mem_fsm4) 0000 : no mixing 0001 : -fs/4 0010 : fs/2 0100 : fs/4 1000 : fs/8 1100 : 3fs/8 1010 : 5fs/8 1110 : 7fs/8 |
| 11:4 | Reserved | R/W | 00000000 0 | Reserved |

表 7-64. CMIX Field Descriptions (続き)

| Bit | Field | Type | Reset | Description |
|-----|---------|------|-------|--|
| 3:0 | CMIX_CD | R/W | 0x0 | These bits turn on the different coarse mixing options. Combining the different options together can result in every possible $n \times F_s/8$ [$n=0 \rightarrow 7$]. Below is the valid programming table: cmix=(mem_fs8; mem_fs4; mem_fs2; mem_fsm4) 0000 : no mixing 0001 : -fs/4 0010 : fs/2 0100 : fs/4 1000 : fs/8 1100 : 3fs/8 1010 : 5fs/8 1110 : 7fs/8 |

7.5.22 Output Summation and Delay Register (address = 0x19) [reset = 0x0000]

図 7-55. Output Summation and Delay Register (OUTSUM)

| 15 | 14 | 13 | 12 | 11 | 10 | 9 | 8 |
|-----|-----|-----|-----|-----|-----|-----|-----|
| 0 | 0 | 0 | 0 | 0 | 0 | 0 | x |
| R/W | R/W | R/W | R/W | R/W | R/W | R/W | R/W |
| 7 | 6 | 5 | 4 | 3 | 2 | 1 | 0 |
| 0 | 0 | 0 | 1 | 1 | 0 | 0 | 1 |
| R/W | R/W | R/W | R/W | R/W | R/W | R/W | R/W |

LEGEND: R/W = Read/Write; R = Read only; -n = value after reset

表 7-65. OUTSUM Field Descriptions

| Bit | Field | Type | Reset | Description |
|-------|--------------|------|-------|--|
| 15:12 | OUTPUT_DELAY | R/W | 0x0 | Delays the output to the DAC 0 to 15 clock cycles |
| 11:4 | Reserved | R/W | 0x00 | Reserved |
| 3:0 | OUTSUM_SEL | R/W | 0x0 | Selects the output summing functions. Each bit selects another sample to sum. Multiple bits can be selected. bit 0 = add the path AB sample bit 1 = add the path CD sample bit 2 = add adjacent DAC path AB sample bit 3 = add adjacent DAC path CD sample |

7.5.23 NCO Phase Path AB Register (address = 0x1C) [reset = 0x0000]

図 7-56. NCO Phase Path AB Register (PHASE_NCOAB)

| 15 | 14 | 13 | 12 | 11 | 10 | 9 | 8 |
|-----|-----|-----|-----|-----|-----|-----|-----|
| 0 | 0 | 0 | 0 | 0 | 0 | 0 | x |
| R/W | R/W | R/W | R/W | R/W | R/W | R/W | R/W |
| 7 | 6 | 5 | 4 | 3 | 2 | 1 | 0 |
| 0 | 0 | 0 | 1 | 1 | 1 | 0 | 0 |
| R/W | R/W | R/W | R/W | R/W | R/W | R/W | R/W |

LEGEND: R/W = Read/Write; R = Read only; -n = value after reset

表 7-66. PHASE_NCOAB Field Descriptions

| Bit | Field | Type | Reset | Description |
|------|------------|-----------|--------|--|
| 15:0 | PHASE_NCO1 | Auto Sync | 0x0000 | The phase offset for the FULL NCO1 in the AB datapath. |

7.5.24 NCO Phase Path CD Register (address = 0x1D) [reset = 0x0000]

図 7-57. NCO Phase Path CD Register (PHASE_NCOCD)

| 15 | 14 | 13 | 12 | 11 | 10 | 9 | 8 |
|-----|-----|-----|-----|-----|-----|-----|-----|
| 0 | 0 | 0 | 0 | 0 | 0 | 0 | 0 |
| R/W | R/W | R/W | R/W | R/W | R/W | R/W | R/W |
| 7 | 6 | 5 | 4 | 3 | 2 | 1 | 0 |
| 0 | 0 | 0 | 1 | 1 | 1 | 0 | 1 |
| R/W | R/W | R/W | R/W | R/W | R/W | R/W | R/W |

LEGEND: R/W = Read/Write; R = Read only; -n = value after reset

表 7-67. PHASE_NCOCD Field Descriptions

| Bit | Field | Type | Reset | Description |
|------|-------------|-----------|--------|--|
| 15:0 | PHASE_NCO12 | Auto Sync | 0x0000 | The phase offset for the FULL NCO2 in the CD datapath. |

7.5.25 NCO Frequency Path AB Register (address = 0x1E-0x20) [reset = 0x0000 0000 0000]

図 7-58. NCO Frequency Path AB Register (FREQ_NCOAB)

| 15 | 14 | 13 | 12 | 11 | 10 | 9 | 8 |
|-----|-----|-----|-----|-----|-----|-----|-----|
| 0 | 0 | 0 | 0 | 0 | 0 | 0 | x |
| R/W | R/W | R/W | R/W | R/W | R/W | R/W | R/W |
| 7 | 6 | 5 | 4 | 3 | 2 | 1 | 0 |
| 0 | 0 | 0 | 1 | 1 | 1 | 1 | 0 |
| R/W | R/W | R/W | R/W | R/W | R/W | R/W | R/W |

LEGEND: R/W = Read/Write; R = Read only; -n = value after reset

表 7-68. FREQ_NCOAB Field Descriptions

| Bit | Field | Type | Reset | Description |
|------|------------|------|------------------------|--------------------------------------|
| 47:0 | FREQ_NCOAB | R/W | 0x0000 0000 0000 | NCO frequency word for AB data path. |

7.5.26 NCO Frequency Path CD Register (address = 0x21-0x23) [reset = 0x0000 0000 0000]

図 7-59. NCO Frequency Path CD Register (FREQ_NCOCD)

| 15 | 14 | 13 | 12 | 11 | 10 | 9 | 8 |
|-----|-----|-----|-----|-----|-----|-----|-----|
| 0 | 0 | 0 | 0 | 0 | 0 | 0 | x |
| R/W | R/W | R/W | R/W | R/W | R/W | R/W | R/W |
| 7 | 6 | 5 | 4 | 3 | 2 | 1 | 0 |
| 0 | 0 | 1 | 0 | 0 | 0 | 0 | 1 |
| R/W | R/W | R/W | R/W | R/W | R/W | R/W | R/W |

LEGEND: R/W = Read/Write; R = Read only; -n = value after reset

表 7-69. FREQ_NCOCD Field Descriptions

| Bit | Field | Type | Reset | Description |
|------|------------|------|------------------------|--------------------------------------|
| 47:0 | FREQ_NCOCD | R/W | 0x0000 0000 0000 | NCO frequency word for CD data path. |

7.5.27 SYSREF Use for Clock Divider Register (address = 0x24) [reset = 0x0010]

図 7-60. SYSREF Use for Clock Divider Register (SYSREF_CLKDIV)

| 15 | 14 | 13 | 12 | 11 | 10 | 9 | 8 |
|-----|-----|-----|-----|-----|-----|-----|-----|
| 0 | 0 | 0 | 0 | 0 | 0 | 0 | x |
| R/W | R/W | R/W | R/W | R/W | R/W | R/W | R/W |
| 7 | 6 | 5 | 4 | 3 | 2 | 1 | 0 |
| 0 | 0 | 1 | 0 | 0 | 1 | 0 | 0 |
| R/W | R/W | R/W | R/W | R/W | R/W | R/W | R/W |

LEGEND: R/W = Read/Write; R = Read only; -n = value after reset

表 7-70. SYSREF_CLKDIV Field Descriptions

| Bit | Field | Type | Reset | Description |
|-------|--------------------|------|-------|--|
| 15 | Reserved | R/W | 0 | Reserved |
| 14:12 | CDRVSER_SYSREF_DLY | R/W | 000 | Programmable delay the SYSREF by N dacclk cycles to the CDRV_SER clock dividers. By offsetting the clock to the different multi-DUC blocks, clock mixing could potentially be reduced. |
| 11:7 | Not used | R/W | 00000 | Not used |
| 6:4 | SYSREF_MODE | R/W | 001 | Determines how SYSREF is used to sync the clock dividers in the CDRV_SER block. 000 = Don't use SYSREF pulse 001 = Use all SYSREF pulses 010 = Use only the next SYSREF pulse 011 = Skip one SYSREF pulse then use only the next one 100 = Skip one SYSREF pulse then use all pulses. |
| 3:2 | SYSREF_DLY | R/W | 00 | Delays the SYSREF into the CDRV_SER capture FF through 1 of 4 choices. This allows for extra delay in case the timing of the clock or SYSREF path isn't as good as we think. |
| 1:0 | Reserved | R/W | 00 | Reserved |

7.5.28 Serdes Clock Control Register (address = 0x25) [reset = 0x7700]

図 7-61. Serdes Clock Control Register (SERDES_CLK)

| | | | | | | | | | | | | | | | |
|-----|--|-----|--|-----|--|-----|--|-----|--|-----|--|-----|--|-----|--|
| 15 | | 14 | | 13 | | 12 | | 11 | | 10 | | 9 | | 8 | |
| 0 | | 0 | | 0 | | 0 | | 0 | | 0 | | 0 | | x | |
| R/W | | R/W | | R/W | | R/W | | R/W | | R/W | | R/W | | R/W | |
| 7 | | 6 | | 5 | | 4 | | 3 | | 2 | | 1 | | 0 | |
| 0 | | 0 | | 1 | | 0 | | 0 | | 1 | | 0 | | 1 | |
| R/W | | R/W | | R/W | | R/W | | R/W | | R/W | | R/W | | R/W | |

LEGEND: R/W = Read/Write; R = Read only; -n = value after reset

表 7-71. SERDES_CLK Field Descriptions

| Bit | Field | Type | Reset | Description |
|-------|-----------------|------|-------|---|
| 15:12 | CLKJESD_DIV | R/W | 0x7 | This controls the selection of the clk_jesd output 0000 = div4 0001 = div8 0010 = div12 0011 = div16 0100 = div18 0101 = div20 0110 = div24 0111 = div32 1001 = div36 1010 = div48 1011 = div64 1100 = div5.333 1101 = div10.666 1110 = div21p333 |
| 11:8 | CLKJESD_OUT_DIV | R/W | 0x7 | This controls the selection of the clk_jesd_out output 0000 = div8 0001 = div16 0010 = div32 0011 = div48 0100 = div64 0101 = div80 0110 = div96 0111 = div128 1000 = div144 1001 = div160 1010 = div192 |
| 7:0 | Reserved | R/W | 0x0 | Reserved |

7.5.29 Sync Source Control 1 Register (address = 0x27) [reset = 0x1144]

図 7-62. Sync Source Control 1 Register (SYNCSEL1)

| | | | | | | | |
|-----|-----|-----|-----|-----|-----|-----|-----|
| 15 | 14 | 13 | 12 | 11 | 10 | 9 | 8 |
| 0 | 0 | 0 | 0 | 0 | 0 | 0 | x |
| R/W | R/W | R/W | R/W | R/W | R/W | R/W | R/W |
| 7 | 6 | 5 | 4 | 3 | 2 | 1 | 0 |
| 0 | 0 | 1 | 0 | 0 | 1 | 1 | 1 |
| R/W | R/W | R/W | R/W | R/W | R/W | R/W | R/W |

LEGEND: R/W = Read/Write; R = Read only; -n = value after reset

表 7-72. SYNCSEL1 Field Descriptions

| Bit | Field | Type | Reset | Description |
|-------|-----------------|------|-------|--|
| 15:12 | SYNCSEL_MIXERAB | R/W | 0x1 | Controls the syncing of the double buffered SPI registers for the mixerAB block. These bits are enables so a '1' in the bit place allows the sync to pass to the block. bit 0 = auto-sync from SPI register write bit 1 = sysref bit 2 = sync_out from JESD bit 3 = mem_spi_sync |
| 11:8 | SYNCSEL_MIXERCD | R/W | 0x1 | Controls the syncing of the double buffered SPI registers for the mixerCD block. These bits are enables so a '1' in the bit place allows the sync to pass to the block. bit 0 = auto-sync from SPI register write bit 1 = sysref bit 2 = sync_out from JESD bit 3 = mem_spi_sync |
| 7:4 | SYNCSEL_NCOAB | R/W | 0x4 | Controls the syncing of NCOAB accumulators. These bits are enables so a '1' in the bit place allows the sync to pass to the block. bit 0 = '0' bit 1 = sysref bit 2 = sync_out from JESD bit 3 = mem_spi_sync |
| 3:0 | SYNCSEL_NCOCD | R/W | 0x4 | Controls the syncing of NCOCD accumulators. These bits are enables so a '1' in the bit place allows the sync to pass to the block. bit 0 = '0' bit 1 = sysref bit 2 = sync_out from JESD bit 3 = mem_spi_sync |

7.5.30 Sync Source Control 2 Register (address = 0x28) [reset = 0x0000]

図 7-63. Sync Source Control 2 Register (SYNCSEL2)

| | | | | | | | |
|-----|-----|-----|-----|-----|-----|-----|-----|
| 15 | 14 | 13 | 12 | 11 | 10 | 9 | 8 |
| 0 | 0 | 0 | 0 | 0 | 0 | 0 | x |
| R/W | R/W | R/W | R/W | R/W | R/W | R/W | R/W |
| 7 | 6 | 5 | 4 | 3 | 2 | 1 | 0 |
| 0 | 0 | 1 | 0 | 1 | 0 | 0 | 0 |
| R/W | R/W | R/W | R/W | R/W | R/W | R/W | R/W |

LEGEND: R/W = Read/Write; R = Read only; -n = value after reset

表 7-73. SYNCSEL2 Field Descriptions

| Bit | Field | Type | Reset | Description |
|-------|---------------|------|-------|---|
| 15:12 | Reserved | R/W | 0x0 | Reserved |
| 11:8 | SYNCSEL_PAPAB | R/W | 0x0 | Select the sync for the PAP A and B. bit 0 = '0' bit 1 = sysref bit 2 = sync_out from JESD bit 3 = mem_spi_sync |
| 7:4 | SYNCSEL_PAPCD | R/W | 0x0 | Select the sync for the PAP C and D. bit 0 = '0' bit 1 = sysref bit 2 = sync_out from JESD bit 3 = mem_spi_sync |
| 3:2 | Reserved | R/W | 0b00 | Reserved |
| 1 | SPI_SYNC | R/W | 0 | This is used to generate the SPI_SYNC signal |
| 0 | Reserved | R/W | 0 | Reserved |

7.5.31 PAP path AB Gain Attenuation Step Register (address = 0x29) [reset = 0x0000]

図 7-64. PAP path AB Gain Attenuation Step Register (PAP_GAIN_AB)

| | | | | | | | |
|-----|-----|-----|-----|-----|-----|-----|-----|
| 15 | 14 | 13 | 12 | 11 | 10 | 9 | 8 |
| 0 | 0 | 0 | 0 | 0 | 0 | 0 | x |
| R/W | R/W | R/W | R/W | R/W | R/W | R/W | R/W |
| 7 | 6 | 5 | 4 | 3 | 2 | 1 | 0 |
| 0 | 0 | 1 | 0 | 1 | 0 | 0 | 1 |
| R/W | R/W | R/W | R/W | R/W | R/W | R/W | R/W |

LEGEND: R/W = Read/Write; R = Read only; -n = value after reset

表 7-74. PAP_GAIN_AB Field Descriptions

| Bit | Field | Type | Reset | Description |
|-------|-----------------|------|--------|-----------------------|
| 15:10 | NOT USED | RW | 000000 | Not Used |
| 9:0 | PAPAB_GAIN_STEP | | 0x000 | Gain attenuation step |

7.5.32 PAP path AB Wait Time Register (address = 0x2A) [reset = 0x0000]

☒ 7-65. PAP path AB Wait Time Register (PAP_WAIT_AB)

| | | | | | | | |
|-----|-----|-----|-----|-----|-----|-----|-----|
| 15 | 14 | 13 | 12 | 11 | 10 | 9 | 8 |
| 0 | 0 | 0 | 0 | 0 | 0 | 0 | x |
| R/W | R/W | R/W | R/W | R/W | R/W | R/W | R/W |
| 7 | 6 | 5 | 4 | 3 | 2 | 1 | 0 |
| 0 | 0 | 1 | 0 | 1 | 0 | 1 | 0 |
| R/W | R/W | R/W | R/W | R/W | R/W | R/W | R/W |

LEGEND: R/W = Read/Write; R = Read only; -n = value after reset

表 7-75. PAP_WAIT_AB Field Descriptions

| Bit | Field | Type | Reset | Description |
|-------|------------|------|--------|---|
| 15:10 | Reserved | R/W | 000000 | Reserved |
| 9:0 | PAPAB_WAIT | R/W | 0x000 | Number of clock cycles to wait after gain = 0 |

7.5.33 PAP path CD Gain Attenuation Step Register (address = 0x2B) [reset = 0x0000]

☒ 7-66. PAP path CD Gain Attenuation Step Register (PAP_GAIN_CD)

| | | | | | | | |
|-----|-----|-----|-----|-----|-----|-----|-----|
| 15 | 14 | 13 | 12 | 11 | 10 | 9 | 8 |
| 0 | 0 | 0 | 0 | 0 | 0 | 0 | x |
| R/W | R/W | R/W | R/W | R/W | R/W | R/W | R/W |
| 7 | 6 | 5 | 4 | 3 | 2 | 1 | 0 |
| 0 | 0 | 0 | 0 | 1 | 0 | 1 | 1 |
| R/W | R/W | R/W | R/W | R/W | R/W | R/W | R/W |

LEGEND: R/W = Read/Write; R = Read only; -n = value after reset

表 7-76. PAP_GAIN_CD Field Descriptions

| Bit | Field | Type | Reset | Description |
|-------|-----------------|------|--------|-----------------------|
| 15:10 | Not Used | R/W | 000000 | Not Used |
| 9:0 | PAPCD_GAIN_STEP | R/W | 0x000 | Gain attenuation step |

7.5.34 PAP Path CD Wait Time Register (address = 0x2C) [reset = 0x0000]

☒ 7-67. PAP path CD Wait Time Register (PAP_WAIT_CD)

| | | | | | | | |
|-----|-----|-----|-----|-----|-----|-----|-----|
| 15 | 14 | 13 | 12 | 11 | 10 | 9 | 8 |
| 0 | 0 | 0 | 0 | 0 | 0 | 0 | x |
| R/W | R/W | R/W | R/W | R/W | R/W | R/W | R/W |
| 7 | 6 | 5 | 4 | 3 | 2 | 1 | 0 |
| 0 | 0 | 1 | 0 | 1 | 1 | 0 | 0 |
| R/W | R/W | R/W | R/W | R/W | R/W | R/W | R/W |

LEGEND: R/W = Read/Write; R = Read only; -n = value after reset

表 7-77. PAP_WAIT_CD Field Descriptions

| Bit | Field | Type | Reset | Description |
|-------|------------|------|--------|---|
| 15:10 | Reserved | R/W | 000000 | Reserved |
| 9:0 | PAPCD_WAIT | R/W | 0x000 | Number of clock cycles to wait after gain = 0 |

7.5.35 PAP path AB Configuration Register (address = 0x2D) [reset = 0x0FFF]

図 7-68. PAP path AB Configuration Register (PAP_CFG_AB)

| | | | | | | | |
|-----|-----|----------|-----|-----|-----|-----|-----|
| 15 | 14 | 13 | 12 | 11 | 10 | 9 | 8 |
| 0 | 0 | Reserved | 0 | 0 | 0 | 0 | x |
| R/W | R/W | R/W | R/W | R/W | R/W | R/W | R/W |
| 7 | 6 | 5 | 4 | 3 | 2 | 1 | 0 |
| 0 | 0 | 1 | 0 | 1 | 1 | 0 | 1 |
| R/W | R/W | R/W | R/W | R/W | R/W | R/W | R/W |

LEGEND: R/W = Read/Write; R = Read only; -n = value after reset

表 7-78. PAP_CFG_AB Field Descriptions

| Bit | Field | Type | Reset | Description |
|-------|---------------|------|--------|---|
| 15:14 | PAPAB_SEL_DLY | R/W | 00 | Controls the length of the delayline in the PAP AB logic. 00 : N = 32 01 : N = 64 10 : N = 128 11 : Not Valid |
| 13 | Reserved | R/W | 0 | Reserved |
| 12:0 | PAPAB_THRESH | R/W | 0xFFFF | The threshold for the PAP AB trigger. |

7.5.36 PAP path CD Configuration Register (address = 0x2E) [reset = 0x0FFF]

図 7-69. PAP path CD Configuration Register (PAP_CFG_CD)

| | | | | | | | |
|-----|-----|-----|-----|-----|-----|-----|-----|
| 15 | 14 | 13 | 12 | 11 | 10 | 9 | 8 |
| 0 | 0 | 0 | 0 | 0 | 0 | 0 | x |
| R/W | R/W | R/W | R/W | R/W | R/W | R/W | R/W |
| 7 | 6 | 5 | 4 | 3 | 2 | 1 | 0 |
| 0 | 0 | 1 | 0 | 1 | 1 | 1 | 0 |
| R/W | R/W | R/W | R/W | R/W | R/W | R/W | R/W |

LEGEND: R/W = Read/Write; R = Read only; -n = value after reset

表 7-79. PAP_CFG_CD Field Descriptions

| Bit | Field | Type | Reset | Description |
|-------|---------------|------|--------|--|
| 15:14 | PAPCD_SEL_DLY | R/W | 00 | Controls the length of the delay line in the PAP CD logic. 00 : N = 32 01 : N = 64 10 : N = 128 11 : Not Valid |
| 13 | Reserved | R/W | 0 | Reserved |
| 12:0 | PAPCD_THRESH | R/W | 0xFFFF | The threshold for the PAP CD trigger. |

7.5.37 DAC SPI Configuration Register (address = 0x2F) [reset = 0x0000]

図 7-70. DAC SPI Constant 1 Register (SPIDAC_TEST1)

| | | | | | | | |
|-----|-----|-----|-----|-----|-----|-----|-----|
| 15 | 14 | 13 | 12 | 11 | 10 | 9 | 8 |
| 0 | 0 | 0 | 0 | 0 | 0 | 0 | x |
| R/W | R/W | R/W | R/W | R/W | R/W | R/W | R/W |
| 7 | 6 | 5 | 4 | 3 | 2 | 1 | 0 |
| 0 | 0 | 1 | 0 | 1 | 1 | 1 | 1 |
| R/W | R/W | R/W | R/W | R/W | R/W | R/W | R/W |

LEGEND: R/W = Read/Write; R = Read only; -n = value after reset

表 7-80. SPIDAC_TEST1 Field Descriptions

| Bit | Field | Type | Reset | Description |
|------|------------|------|--------|--|
| 15:1 | Reserved | R/W | 0x0000 | Reserved |
| 0 | SPIDAC_ENA | R/W | 0 | When asserted the DAC output is set to the value in register SPIDAC. This can be used for trim setting and other static tests. |

7.5.38 DAC SPI Constant Register (address = 0x30) [reset = 0x0000]

図 7-71. DAC SPI Constant Register (SPIDAC_TEST2)

| | | | | | | | |
|-----|-----|-----|-----|-----|-----|-----|-----|
| 15 | 14 | 13 | 12 | 11 | 10 | 9 | 8 |
| 0 | 0 | 0 | 0 | 0 | 0 | 0 | x |
| R/W | R/W | R/W | R/W | R/W | R/W | R/W | R/W |
| 7 | 6 | 5 | 4 | 3 | 2 | 1 | 0 |
| 0 | 0 | 1 | 1 | 0 | 0 | 0 | 0 |
| R/W | R/W | R/W | R/W | R/W | R/W | R/W | R/W |

LEGEND: R/W = Read/Write; R = Read only; -n = value after reset

表 7-81. SPIDAC_TEST2 Field Descriptions

| Bit | Field | Type | Reset | Description |
|------|--------|------|--------|--|
| 15:0 | SPIDAC | R/W | 0x0000 | This value replaces the data at the output of the JESD so that the DAC value can be controlled |

7.5.39 Gain for path AB Register (address = 0x32) [reset = 0x0400]

図 7-72. Gain for path AB Register (GAINAB)

| | | | | | | | |
|-----|-----|-----|-----|-----|-----|-----|-----|
| 15 | 14 | 13 | 12 | 11 | 10 | 9 | 8 |
| 0 | 0 | 0 | 0 | 0 | 0 | 0 | x |
| R/W | R/W | R/W | R/W | R/W | R/W | R/W | R/W |
| 7 | 6 | 5 | 4 | 3 | 2 | 1 | 0 |
| 0 | 0 | 1 | 1 | 0 | 0 | 1 | 0 |
| R/W | R/W | R/W | R/W | R/W | R/W | R/W | R/W |

LEGEND: R/W = Read/Write; R = Read only; -n = value after reset

表 7-82. GAINAB Field Descriptions

| Bit | Field | Type | Reset | Description |
|-------|------------|------|-------|--|
| 15 | GAINAB_ENA | R/W | 0 | Turns on the path AB gain block |
| 14:12 | Reserved | R/W | 0x0 | Reserved |
| 11:0 | GAINAB | R/W | 0x400 | Extra control of gain in the GAINAB block. This allows a fix gain to be added to the signal if needed. |

7.5.40 Gain for path CD Register (address = 0x33) [reset = 0x0400]

図 7-73. Gain for path CD Register (GAINCD)

| | | | | | | | |
|-----|-----|-----|-----|-----|-----|-----|-----|
| 15 | 14 | 13 | 12 | 11 | 10 | 9 | 8 |
| 0 | 0 | 0 | 0 | 0 | 0 | 0 | x |
| R/W | R/W | R/W | R/W | R/W | R/W | R/W | R/W |
| 7 | 6 | 5 | 4 | 3 | 2 | 1 | 0 |
| 0 | 0 | 1 | 1 | 0 | 0 | 1 | 1 |
| R/W | R/W | R/W | R/W | R/W | R/W | R/W | R/W |

LEGEND: R/W = Read/Write; R = Read only; -n = value after reset

表 7-83. GAINCD Field Descriptions

| Bit | Field | Type | Reset | Description |
|-------|------------|------|-------|--|
| 15 | GAINCD_ENA | R/W | 0 | Turns on the Path CD gain block |
| 14:12 | Reserved | R/W | 0x0 | Reserved |
| 11:0 | GAINCD | R/W | 0x400 | Extra control of gain in the GAINCD block. This allows a fix gain to be added to the signal if needed. |

7.5.41 JESD Error Counter Register (address = 0x41) [reset = 0x0000]

図 7-74. JESD Error Counter Register (JESD_ERR_CNT)

| | | | | | | | |
|----|----|----|----|----|----|---|---|
| 15 | 14 | 13 | 12 | 11 | 10 | 9 | 8 |
| 0 | 0 | 0 | 0 | 0 | 0 | 0 | x |
| R | R | R | R | R | R | R | R |
| 7 | 6 | 5 | 4 | 3 | 2 | 1 | 0 |
| 0 | 1 | 0 | 0 | 0 | 0 | 0 | 1 |
| R | R | R | R | R | R | R | R |

LEGEND: R/W = Read/Write; R = Read only; -n = value after reset

表 7-84. JESD_ERR_CNT Field Descriptions

| Bit | Field | Type | Reset | Description |
|------|--------------|------|--------|--|
| 15:0 | JESD_ERR_CNT | R | 0x0000 | This is the error count for the JESD link. This is a 16bit value that is not cleared until the JESD synchronization is required or errcnt_clr is programmed to '1' |

7.5.42 JESD ID 1 Register (address = 0x46) [reset = 0x0044]

図 7-75. JESD ID 1 Register (JESD_ID1)

| | | | | | | | |
|-----|-----|-----|-----|-----|-----|-----|-----|
| 15 | 14 | 13 | 12 | 11 | 10 | 9 | 8 |
| 0 | 0 | 0 | 0 | 0 | 0 | 0 | x |
| R/W | R/W | R/W | R/W | R/W | R/W | R/W | R/W |
| 7 | 6 | 5 | 4 | 3 | 2 | 1 | 0 |
| 0 | 1 | 0 | 0 | 0 | 1 | 1 | 0 |
| R/W | R/W | R/W | R/W | R/W | R/W | R/W | R/W |

LEGEND: R/W = Read/Write; R = Read only; -n = value after reset

表 7-85. JESD_ID1 Field Descriptions

| Bit | Field | Type | Reset | Description |
|-------|----------|------|-------|--------------------|
| 15:11 | LID0 | R/W | 00000 | JESD ID for lane 0 |
| 10:6 | LID1 | R/W | 00001 | JESD ID for lane 1 |
| 5:1 | LID2 | R/W | 00010 | JESD ID for lane 2 |
| 0 | Reserved | R/W | 0 | Reserved |

7.5.43 JESD ID 2 Register (address = 0x47) [reset = 0x190A]

図 7-76. JESD ID 2 Register (JESD_ID2)

| | | | | | | | |
|-----|-----|-----|-----|-----|-----|-----|-----|
| 15 | 14 | 13 | 12 | 11 | 10 | 9 | 8 |
| 0 | 0 | 0 | 0 | 0 | 0 | 0 | 0 |
| R/W | R/W | R/W | R/W | R/W | R/W | R/W | R/W |
| 7 | 6 | 5 | 4 | 3 | 2 | 1 | 0 |
| 0 | 1 | 0 | 0 | 0 | 1 | 1 | 1 |
| R/W | R/W | R/W | R/W | R/W | R/W | R/W | R/W |

LEGEND: R/W = Read/Write; R = Read only; -n = value after reset

表 7-86. JESD ID 2 Register (JESD_ID2)

| Bit | Field | Type | Reset | Description |
|-------|----------|------|-------|--------------------|
| 15:11 | LID3 | R/W | 00011 | JESD ID for lane 3 |
| 10:6 | LID4 | R/W | 00100 | JESD ID for lane 4 |
| 5:1 | LID5 | R/W | 00101 | JESD ID for lane 5 |
| 0 | Reserved | R/W | 0 | Reserved |

7.5.44 JESD ID 3 and Subclass Register (address = 0x48) [reset = 0x31C3]

図 7-77. JESD ID 3 Register (JESD_ID3)

| | | | | | | | |
|-----|-----|-----|-----|-----|-----|-----|-----|
| 15 | 14 | 13 | 12 | 11 | 10 | 9 | 8 |
| 0 | 0 | 0 | 0 | 0 | 0 | 0 | x |
| R/W | R/W | R/W | R/W | R/W | R/W | R/W | R/W |
| 7 | 6 | 5 | 4 | 3 | 2 | 1 | 0 |
| 0 | 1 | 0 | 0 | 1 | 0 | 0 | 0 |
| R/W | R/W | R/W | R/W | R/W | R/W | R/W | R/W |

LEGEND: R/W = Read/Write; R = Read only; -n = value after reset

表 7-87. JESD_ID3 Field Descriptions

| Bit | Field | Type | Reset | Description |
|-------|-----------|------|-------|---|
| 15:11 | LID6 | R/W | 00110 | JESD ID for lane 6 |
| 10:6 | LID7 | R/W | 00111 | JESD ID for lane 7 |
| 5:4 | Reserved | R/W | 00 | Reserved |
| 3:1 | SUBCLASSV | R/W | 001 | Selects the JESD subclass supported. 001 = subclass 1. Note: This is the only subclass mode supported. |
| 0 | JESDV | R/W | 1 | Selects the version of JESD support(0=A; 1=B) NOTE: JESD 204B is only supported version. |

7.5.45 JESD Lane Enable Register (address = 0x4A) [reset = 0x0003]

図 7-78. JESD Lane Enable Register (JESD_LN_EN)

| | | | | | | | |
|-----|-----|-----|-----|-----|-----|-----|-----|
| 15 | 14 | 13 | 12 | 11 | 10 | 9 | 8 |
| 0 | 0 | 0 | 0 | 0 | 0 | 0 | x |
| R/W | R/W | R/W | R/W | R/W | R/W | R/W | R/W |
| 7 | 6 | 5 | 4 | 3 | 2 | 1 | 0 |
| 0 | 1 | 0 | 0 | 1 | 0 | 1 | 0 |
| R/W | R/W | R/W | R/W | R/W | R/W | R/W | R/W |

LEGEND: R/W = Read/Write; R = Read only; -n = value after reset

表 7-88. JESD_LN_EN Field Descriptions

| Bit | Field | Type | Reset | Description |
|------|-----------------|------|-------|--|
| 15:8 | LANE_ENA | | 0x00 | Turn on each lane as needed. Signal is active high. bit 15 : lane7 enable bit 14 : lane6 enable bit 13 : lane5 enable bit 12 : lane4 enable bit 11 : lane3 enable bit 10 : lane2 enable bit 9 : lane1 enable bit 8 : lane0 enable |
| 7:6 | JESD_TEST_SEQ | | 00 | Set to select and verify link layer test sequences. The error for these sequences comes out the lane alarms bit0. 1= a fail and 0 = pass. 00 : test sequence disabled 01 : verify repeating D.21.5 high frequency pattern for random jitter 10 : verify repeating K.28.5 mixed frequency pattern for deterministic jitter 11 : verify repeating ILA sequence |
| 5:2 | Reserved | | 0x0 | Reserved |
| 1:0 | JESD_PHASE_MODE | | 11 | Used to tell the JESD block how many clock phases are being used for lanes. 00 = 1 phase 01 = 2 phases 10 = 4 phases 11 = 8 phases |

7.5.46 JESD RBD Buffer and Frame Octets Register (address = 0x4B) [reset = 0x1300]

図 7-79. JESD RBD Buffer and Frame Octets Register (JESD_RBD_F)

| | | | | | | | |
|-----|-----|-----|-----|-----|-----|-----|-----|
| 15 | 14 | 13 | 12 | 11 | 10 | 9 | 8 |
| | | | 0 | 0 | 0 | 0 | 0 |
| R/W | R/W | R/W | R/W | R/W | R/W | R/W | R/W |
| 7 | 6 | 5 | 4 | 3 | 2 | 1 | 0 |
| 0 | 1 | 0 | 0 | | 0 | 1 | 1 |
| R/W | R/W | R/W | R/W | R/W | R/W | R/W | R/W |

LEGEND: R/W = Read/Write; R = Read only; -n = value after reset

表 7-89. JESD_RBD_F Field Descriptions

| Bit | Field | Type | Reset | Description |
|-------|----------|------|-------|--|
| 15:13 | Reserved | R/W | 00 | Reserved |
| 12:8 | RBD | R/W | 10011 | This controls the amount of elastic buffers being used in the JESD. Larger numbers will mean more latency; but smaller numbers may not hold enough data to capture the input skew. This value must always be $\leq \text{mem}_k$ |
| 7:0 | F_M1 | R/W | 0x00 | This is the number of octets in the frame - 1 |

7.5.47 JESD K and L Parameters Register (address = 0x4C) [reset = 0x1303]

図 7-80. JESD K and L Parameters Register (JESD_K_L)

| | | | | | | | |
|-----|-----|-----|-----|-----|-----|-----|-----|
| 15 | 14 | 13 | 12 | 11 | 10 | 9 | 8 |
| 0 | 0 | 0 | 0 | 0 | 0 | 0 | x |
| R/W | R/W | R/W | R/W | R/W | R/W | R/W | R/W |
| 7 | 6 | 5 | 4 | 3 | 2 | 1 | 0 |
| 0 | 1 | 0 | 0 | 1 | 1 | 0 | 0 |
| R/W | R/W | R/W | R/W | R/W | R/W | R/W | R/W |

LEGEND: R/W = Read/Write; R = Read only; -n = value after reset

表 7-90. JESD_K_L Field Descriptions

| Bit | Field | Type | Reset | Description |
|-------|----------|------|-------|--|
| 15:13 | Reserved | R/W | 000 | Reserved |
| 12:8 | K_M1 | R/W | 10011 | The number of frames in a multi-frame - $1. 0 \leq k - 1 < 32$ |
| 7:5 | Reserved | R/W | 0 | Reserved |
| 4:0 | L_M1 | R/W | 00011 | The number of lanes used by the JESD - $1. 0 \leq L - 1 < 8$ |

7.5.48 JESD M and S Parameters Register (address = 0x4D) [reset = 0x0100]

図 7-81. JESD M and S Parameters Register (JESD_M_S)

| | | | | | | | |
|-----|-----|-----|-----|-----|-----|-----|-----|
| 15 | 14 | 13 | 12 | 11 | 10 | 9 | 8 |
| 0 | 0 | 0 | 0 | 0 | 0 | 0 | 0 |
| R/W | R/W | R/W | R/W | R/W | R/W | R/W | R/W |
| 7 | 6 | 5 | 4 | 3 | 2 | 1 | 0 |
| 0 | 1 | 0 | 0 | 1 | 1 | 0 | 1 |
| R/W | R/W | R/W | R/W | R/W | R/W | R/W | R/W |

LEGEND: R/W = Read/Write; R = Read only; -n = value after reset

表 7-91. JESD_M_S Field Descriptions

| Bit | Field | Type | Reset | Description |
|------|----------|------|-------|---|
| 15:8 | M_M1 | R/W | 0x01 | The number of streams per frame - 1. $0 \leq M - 1 < 256$ |
| 7:5 | Reserved | R/W | 000 | Reserved |
| 4:0 | S_M1 | R/W | 00000 | The number of samples per stream per frame - 1. |

7.5.49 JESD N, HD and SCR Parameters Register (address = 0x4E) [reset = 0x0F4F]

図 7-82. JESD N, HD and SCR Parameters Register (JESD_N_HD_SCR)

| | | | | | | | |
|-----|-----|-----|-----|-----|-----|-----|-----|
| 15 | 14 | 13 | 12 | 11 | 10 | 9 | 8 |
| 0 | 0 | 0 | 0 | 0 | 0 | 0 | 0 |
| R/W | R/W | R/W | R/W | R/W | R/W | R/W | R/W |
| 7 | 6 | 5 | 4 | 3 | 2 | 1 | 0 |
| 0 | 1 | 0 | 0 | 1 | 1 | 1 | 0 |
| R/W | R/W | R/W | R/W | R/W | R/W | R/W | R/W |

LEGEND: R/W = Read/Write; R = Read only; -n = value after reset

表 7-92. JESD_N_HD_SCR Field Descriptions

| Bit | Field | Type | Reset | Description |
|-------|-----------|------|-------|--|
| 15:13 | Reserved | R/W | 000 | Reserved |
| 12:8 | NPRIME_M1 | R/W | 01111 | The number of adjusted bits per sample - 1 |
| 7 | Reserved | R/W | 0 | Reserved |
| 6 | HD | R/W | 1 | High density mode. Samples can cross the lane boundary |
| 5 | SCR | R/W | 0 | Turn on the scrambler |
| 4:0 | N_M1 | R/W | 01111 | The number of bits per sample - 1 |

7.5.50 JESD Character Match and Other Register (address = 0x4F) [reset = 0x1CC1]

図 7-83. JESD Character Match and Other Parameters Register (JESD_MATCH)

| | | | | | | | |
|-----|-----|-----|-----|-----|-----|-----|-----|
| 15 | 14 | 13 | 12 | 11 | 10 | 9 | 8 |
| 0 | 0 | 0 | 0 | 0 | 0 | 0 | x |
| R/W | R/W | R/W | R/W | R/W | R/W | R/W | R/W |
| 7 | 6 | 5 | 4 | 3 | 2 | 1 | 0 |
| 0 | 1 | 0 | 0 | 1 | 1 | 1 | 1 |
| R/W | R/W | R/W | R/W | R/W | R/W | R/W | R/W |

LEGEND: R/W = Read/Write; R = Read only; -n = value after reset

表 7-93. JESD_MATCH Field Descriptions

| Bit | Field | Type | Reset | Description |
|------|---------------------|------|-------|--|
| 15:8 | MATCH_DATA | R/W | 0x1C | The character to match for buffer release. Normally it is a /R/=/ K28.0/-0x1C but with these bits the user can program the value. |
| 7 | MATCH_SPECIFIC | R/W | 1 | Match a specific character to start the JESD buffering when asserted; otherwise the first non-K will start the buffering. |
| 6 | MATCH_CTRL | R/W | 1 | When asserted the match character is a CONTROL character instead of a DATA character. |
| 5 | NO_LANE_SYNC | R/W | 0 | Assert if the TX side does not support lane initialization. This way the RX won't flag errors in the configuration portion of the ILA. |
| 4:2 | Not Used | R/W | 000 | Not Used |
| 1 | Reserved | R/W | 0 | Reserved |
| 0 | JESD_COMMAALIGN_ENA | R/W | 1 | When asserted the JESD block SERDES comma align signal will be added with the SERDES ALIGN bit(0) to control when to shut off comma alignment. When this bit is deasserted; then the programmed bit(spi_config62(11)) is the only control. |

7.5.51 JESD Link Configuration Data Register (address = 0x50) [reset = 0x0000]

図 7-84. JESD Link Configuration Data Register (JESD_LINK_CFG)

| | | | | | | | |
|-----|-----|-----|-----|-----|-----|-----|-----|
| 15 | 14 | 13 | 12 | 11 | 10 | 9 | 8 |
| 0 | 0 | 0 | 0 | 0 | 0 | 0 | x |
| R/W | R/W | R/W | R/W | R/W | R/W | R/W | R/W |
| 7 | 6 | 5 | 4 | 3 | 2 | 1 | 0 |
| 0 | 1 | 0 | 1 | 0 | 0 | 0 | 0 |
| R/W | R/W | R/W | R/W | R/W | R/W | R/W | R/W |

LEGEND: R/W = Read/Write; R = Read only; -n = value after reset

表 7-94. JESD_Link_CFG Field Descriptions

| Bit | Field | Type | Reset | Description |
|-------|--------|------|-------|---|
| 15:12 | ADJCNT | R/W | 0x0 | Lane configuration data for link. Reserved by DAC38RF8x except for lane configuration checking. |
| 11 | ADJDIR | R/W | 0 | Lane configuration data for link. Reserved by DAC38RF8x except for lane configuration checking. |
| 10:7 | BID | R/W | 0x0 | Lane configuration data for link. Reserved by DAC38RF8x except for lane configuration checking. |
| 6:2 | CF | R/W | 00000 | Lane configuration data for link. Reserved by DAC38RF8x except for lane configuration checking. |
| 1:0 | CS | R/W | 00 | Lane configuration data for link. Reserved by DAC38RF8x except for lane configuration checking. |

7.5.52 JESD Sync Request Register (address = 0x51) [reset = 0x00FF]

図 7-85. JESD Sync Request Register (JESD_SYNC_REQ)

| | | | | | | | |
|-----|-----|-----|-----|-----|-----|-----|-----|
| 15 | 14 | 13 | 12 | 11 | 10 | 9 | 8 |
| 0 | 0 | 0 | 0 | 0 | 0 | 0 | x |
| R/W | R/W | R/W | R/W | R/W | R/W | R/W | R/W |
| 7 | 6 | 5 | 4 | 3 | 2 | 1 | 0 |
| 0 | 1 | 0 | 1 | 0 | 0 | 0 | 1 |
| R/W | R/W | R/W | R/W | R/W | R/W | R/W | R/W |

LEGEND: R/W = Read/Write; R = Read only; -n = value after reset

表 7-95. JESD_SYNC_REQ Field Descriptions

| Bit | Field | Type | Reset | Description |
|------|--------------|------|-------|---|
| 15:8 | DID | R/W | 0x00 | Lane configuration |
| 7:0 | SYNC_REQUEST | R/W | 0xFF | These bits select which errors cause a sync request. Sync requests take priority over the error notification; so if sync request isn't desired; set these bits to a '0'. bit 7 = multi-frame alignment error bit 6 = frame alignment error bit 5 = link configuration error bit 4 = elastic buffer overflow (bad RBD value) bit 3 = elastic buffer end char mismatch (match_ctrl match_data) bit 2 = code synchronization error bit 1 = 8b/10b not-in-table code error bit 0 = 8b/10b disparity error |

7.5.53 JESD Error Output Register (address = 0x52) [reset = 0x00FF]

図 7-86. JESD Error Output Register (JESD_ERR_OUT)

| | | | | | | | |
|-----|-----|-----|-----|-----|-----|-----|-----|
| 15 | 14 | 13 | 12 | 11 | 10 | 9 | 8 |
| 0 | 0 | 0 | 0 | 0 | 0 | 0 | x |
| R/W | R/W | R/W | R/W | R/W | R/W | R/W | R/W |
| 7 | 6 | 5 | 4 | 3 | 2 | 1 | 0 |
| 0 | 1 | 0 | 1 | 0 | 0 | 1 | 0 |
| R/W | R/W | R/W | R/W | R/W | R/W | R/W | R/W |

LEGEND: R/W = Read/Write; R = Read only; -n = value after reset

表 7-96. JESD_ERR_OUT Field Descriptions

| Bit | Field | Type | Reset | Description |
|-------|-----------------|------|--------|--|
| 15:10 | Reserved | R/W | 000000 | Reserved |
| 9 | DISABLE_ERR_RPT | R/W | 0 | Assertion means that errors will not be reported on the sync_n output. |
| 8 | PHADJ | R/W | 0 | Lane configuration |
| 7:0 | ERR_ENA | R/W | 0xFF | These bits select the errors generated are counted in the err_c for the link. The bits also control what signals are sent out the pad_syncb pin for error notification. bit 7 = multi-frame alignment error bit 6 = frame alignment error bit 5 = link configuration error bit 4 = elastic buffer overflow (bad RBD value) bit 3 = elastic buffer end char mismatch (match_ctrl match_data) bit 2 = code synchronization error bit 1 = 8b/10b not-in-table code error bit 0 = 8b/10b disparity error |

7.5.54 JESD ILA Check 1 Register (address = 0x53) [reset = 0x0100]

図 7-87. JESD ILA Check 1 Register (JESD_ILA_CFG1)

| | | | | | | | |
|-----|-----|-----|-----|-----|-----|-----|-----|
| 15 | 14 | 13 | 12 | 11 | 10 | 9 | 8 |
| 0 | 0 | 0 | 0 | 0 | 0 | 0 | x |
| R/W | R/W | R/W | R/W | R/W | R/W | R/W | R/W |
| 7 | 6 | 5 | 4 | 3 | 2 | 1 | 0 |
| 0 | 1 | 0 | 1 | 0 | 0 | 1 | 1 |
| R/W | R/W | R/W | R/W | R/W | R/W | R/W | R/W |

LEGEND: R/W = Read/Write; R = Read only; -n = value after reset

表 7-97. JESD_ILA_CFG1 Field Descriptions

| Bit | Field | Type | Reset | Description |
|------|-------|------|-------|---|
| 15:8 | ILA_M | R/W | 0x01 | JESD M-1 configuration value used only for ILA checking; may be set independently of the actual JESD mode |
| 7:0 | ILA_F | R/W | 0x00 | JESD F-1 configuration value used only for ILA checking; may be set independently of the actual JESD mode |

7.5.55 JESD ILA Check 2 Register (address = 0x54) [reset = 0x8E60]

図 7-88. JESD ILA Check 2 Register (JESD_ILA_CFG2)

| | | | | | | | |
|-----|-----|-----|-----|-----|-----|-----|-----|
| 15 | 14 | 13 | 12 | 11 | 10 | 9 | 8 |
| 0 | 0 | 0 | 0 | 0 | 0 | 0 | x |
| R/W | R/W | R/W | R/W | R/W | R/W | R/W | R/W |
| 7 | 6 | 5 | 4 | 3 | 2 | 1 | 0 |
| 0 | 1 | 0 | 1 | 0 | 1 | 0 | 0 |
| R/W | R/W | R/W | R/W | R/W | R/W | R/W | R/W |

LEGEND: R/W = Read/Write; R = Read only; -n = value after reset

表 7-98. JESD_ILA_CFG2 Field Descriptions

| Bit | Field | Type | Reset | Description |
|-------|--------|------|-------|---|
| 15 | ILA_HD | R/W | 1 | JESD HD configuration value used only for ILA checking; may be set independently of the actual JESD mode |
| 14:10 | ILA_L | R/W | 00011 | JESD L-1 configuration value used only for ILA checking; may be set independently of the actual JESD mode |
| 9:5 | ILA_K | R/W | 10011 | JESD K-1 configuration value used only for ILA checking; may be set independently of the actual JESD mode |
| 4:0 | ILA_S | R/W | 00000 | JESD S-1 configuration value used only for ILA checking; may be set independently of the actual JESD mode |

7.5.56 JESD SYSREF Mode Register (address = 0x5C) [reset = 0x0001]

図 7-89. JESD SYSREF Mode Register (JESD_SYSR_MODE)

| | | | | | | | |
|-----|-----|-----|-----|-----|-----|-----|-----|
| 15 | 14 | 13 | 12 | 11 | 10 | 9 | 8 |
| 0 | 0 | 0 | 0 | 0 | 0 | 0 | x |
| R/W | R/W | R/W | R/W | R/W | R/W | R/W | R/W |
| 7 | 6 | 5 | 4 | 3 | 2 | 1 | 0 |
| 0 | 1 | 0 | 1 | 1 | 1 | 0 | 0 |
| R/W | R/W | R/W | R/W | R/W | R/W | R/W | R/W |

LEGEND: R/W = Read/Write; R = Read only; -n = value after reset

表 7-99. JESD_SYSR_MODE Field Descriptions

| Bit | Field | Type | Reset | Description |
|------|-------------|------|-------|---|
| 15:4 | Reserved | R/W | 0x000 | Reserved |
| 3 | ERR_CNT_CLR | R/W | 0 | A transition from 0->1 causes the error_cnt to be cleared |
| 2:0 | SYSREF_MODE | R/W | 001 | Determines how SYSREF is used in the JESD synchronizing block. 000 = Don't use SYSREF pulse 001 = Use all SYSREF pulses 010 = Use only the next SYSREF pulse 011 = Skip one SYSREF pulse then use only the next one 100 = Skip one SYSREF pulse then use all pulses. 101 = skip two SYSREFs and then use one 110 = skip two SYSREFs and then use all |

7.5.57 JESD Crossbar Configuration 1 Register (address = 0x5F) [reset = 0x0123]

図 7-90. JESD Crossbar Configuration 1 Register (JESD_CROSSBAR1)

| | | | | | | | |
|----------|-----|-----|-----|----------|-----|-----|-----|
| 15 | 14 | 13 | 12 | 11 | 10 | 9 | 8 |
| Reserved | 0 | 0 | 0 | Reserved | 0 | 0 | x |
| R/W | R/W | R/W | R/W | R/W | R/W | R/W | R/W |
| 7 | 6 | 5 | 4 | 3 | 2 | 1 | 0 |
| 0 | 1 | 0 | 1 | 1 | 1 | 1 | 1 |
| R/W | R/W | R/W | R/W | R/W | R/W | R/W | R/W |

LEGEND: R/W = Read/Write; R = Read only; -n = value after reset

表 7-100. JESD_CROSSBAR1 Field Descriptions

| Bit | Field | Type | Reset | Description |
|-------|----------------|------|-------|---|
| 15 | Reserved | R/W | 0 | Reserved |
| 14:12 | OCTETPATH0_SEL | R/W | 000 | These bits are used by the cross-bar switch to map any lane to any other lane. The 3 bit term tells the mapper block what lane this particular lane is supposed to be treated as. 000 = treat as lane0 001 = treat as lane1 010 = treat as lane2 011 = treat as lane3 100 = treat as lane4 101 = treat as lane5 110 = treat as lane6 111 = treat as lane7 |
| 11 | Reserved | R/W | 0 | Reserved |
| 10:8 | OCTETPATH1_SEL | R/W | 001 | These bits are used by the cross-bar switch to map any lane to any other lane. The 3 bit term tells the mapper block what lane this particular lane is supposed to be treated as. 000 = treat as lane0 001 = treat as lane1 010 = treat as lane2 011 = treat as lane3 100 = treat as lane4 101 = treat as lane5 110 = treat as lane6 111 = treat as lane7 |
| 7 | Reserved | R/W | 0 | Reserved |
| 6:4 | OCTETPATH2_SEL | R/W | 010 | These bits are used by the cross-bar switch to map any lane to any other lane. The 3 bit term tells the mapper block what lane this particular lane is supposed to be treated as. 000 = treat as lane0 001 = treat as lane1 010 = treat as lane2 011 = treat as lane3 100 = treat as lane4 101 = treat as lane5 110 = treat as lane6 111 = treat as lane7 |
| 3 | Reserved | R/W | 0 | Reserved |

表 7-100. JESD_CROSSBAR1 Field Descriptions (続き)

| Bit | Field | Type | Reset | Description |
|-----|----------------|------|-------|---|
| 2:0 | OCTETPATH3_SEL | R/W | 011 | These bits are used by the cross-bar switch to map any lane to any other lane. The 3 bit term tells the mapper block what lane this particular lane is supposed to be treated as. 000 = treat as lane0 001 = treat as lane1 010 = treat as lane2 011 = treat as lane3 100 = treat as lane4 101 = treat as lane5 110 = treat as lane6 111 = treat as lane7 |

7.5.58 JESD Crossbar Configuration 2 Register (address = 0x60) [reset = 0x4567]

図 7-91. JESD Crossbar Configuration 2 Register (JESD_CROSSBAR2)

| | | | | | | | |
|-----|-----|-----|-----|-----|-----|-----|-----|
| 15 | 14 | 13 | 12 | 11 | 10 | 9 | 8 |
| 0 | 0 | 0 | 0 | 0 | 0 | 0 | x |
| R/W | R/W | R/W | R/W | R/W | R/W | R/W | R/W |
| 7 | 6 | 5 | 4 | 3 | 2 | 1 | 0 |
| 0 | 1 | 1 | 0 | 0 | 0 | 0 | 1 |
| R/W | R/W | R/W | R/W | R/W | R/W | R/W | R/W |

LEGEND: R/W = Read/Write; R = Read only; -n = value after reset

表 7-101. JESD_CROSSBAR2 Field Descriptions

| Bit | Field | Type | Reset | Description |
|-------|----------------|------|-------|---|
| 15 | Reserved | R/W | 0 | Reserved |
| 14:12 | OCTETPATH4_SEL | R/W | 100 | These bits are used by the cross-bar switch to map any lane to any other lane. The 3 bit term tells the mapper block what lane this particular lane is supposed to be treated as. 000 = treat as lane0 001 = treat as lane1 010 = treat as lane2 011 = treat as lane3 100 = treat as lane4 101 = treat as lane5 110 = treat as lane6 111 = treat as lane7 |
| 11 | Reserved | R/W | 0 | Reserved |
| 10:8 | OCTETPATH5_SEL | R/W | 101 | These bits are used by the cross-bar switch to map any lane to any other lane. The 3 bit term tells the mapper block what lane this particular lane is supposed to be treated as. 000 = treat as lane0 001 = treat as lane1 010 = treat as lane2 011 = treat as lane3 100 = treat as lane4 101 = treat as lane5 110 = treat as lane6 111 = treat as lane7 |
| 7 | Reserved | R/W | 0 | Reserved |

表 7-101. JESD_CROSSBAR2 Field Descriptions (続き)

| Bit | Field | Type | Reset | Description |
|-----|----------------|------|-------|---|
| 6:4 | OCTETPATH6_SEL | R/W | 110 | These bits are used by the cross-bar switch to map any lane to any other lane. The 3 bit term tells the mapper block what lane this particular lane is supposed to be treated as. 000 = treat as lane0 001 = treat as lane1 010 = treat as lane2 011 = treat as lane3 100 = treat as lane4 101 = treat as lane5 110 = treat as lane6 111 = treat as lane7 |
| 3 | Reserved | R/W | 0 | Reserved |
| 2:0 | OCTETPATH7_SEL | R/W | 111 | These bits are used by the cross-bar switch to map any lane to any other lane. The 3 bit term tells the mapper block what lane this particular lane is supposed to be treated as. 000 = treat as lane0 001 = treat as lane1 010 = treat as lane2 011 = treat as lane3 100 = treat as lane4 101 = treat as lane5 110 = treat as lane6 111 = treat as lane7 |

7.5.59 JESD Alarms for Lane 0 Register (address = 0x64) [reset = 0x0000]

図 7-92. JESD Alarms for Lane 0 Register (JESD_ALM_L0)

| | | | | | | | |
|-----|-----|-----|-----|-----|-----|-----|-----|
| 15 | 14 | 13 | 12 | 11 | 10 | 9 | 8 |
| 0 | 0 | 0 | 0 | 0 | 0 | 0 | x |
| W0C | W0C | W0C | W0C | W0C | W0C | W0C | W0C |
| 7 | 6 | 5 | 4 | 3 | 2 | 1 | 0 |
| 0 | 1 | 1 | 0 | 0 | 1 | 0 | 0 |
| W0C | W0C | W0C | W0C | W0C | W0C | W0C | W0C |

LEGEND: R/W = Read/Write; R = Read only; W0C = Write 0 to clear bit; -n = value after reset

表 7-102. JESD_ALM_L0 Field Descriptions

| Bit | Field | Type | Reset | Description |
|------|-----------------|------|-------|---|
| 15:8 | ALM_LANE0_ERR | W0C | 0x00 | Lane0 errors: bit 15 = multiframe alignment error bit 14 = frame alignment error bit 13 = link configuration error bit 12 = elastic buffer overflow (bad RBD value) bit 11 = elastic buffer match error. The first non-/K/ doesn't match "match_ctrl" and "match_data" programmed values. bit 10 = code synchronization error bit 9 = 8b/10b not-in-table code error bit 8 = 8b/10b disparity error |
| 7:4 | Reserved | W0C | 0x0 | Reserved |
| 3:0 | ALM_FIFO0_FLAGS | W0C | 0x0 | Lane0 FIFO errors: bit 3 = write_error : High if write request and FIFO is full (NOTE: only released when JESD block is initialize with mem_init_state) bit 2 = write_full : FIFO is FULL bit 1 = read_error : High if read request with empty FIFO (NOTE: only released when JESD block is initialize with mem_init_state) bit 0 = read_empty : FIFO is empty |

7.5.60 JESD Alarms for Lane 1 Register (address = 0x65) [reset = 0x0000]

図 7-93. JESD Alarms for Lane 1 Register (JESD_ALM_L1)

| | | | | | | | |
|-----|-----|-----|-----|-----|-----|-----|-----|
| 15 | 14 | 13 | 12 | 11 | 10 | 9 | 8 |
| 0 | 0 | 0 | 0 | 0 | 0 | 0 | x |
| W0C | W0C | W0C | W0C | W0C | W0C | W0C | W0C |
| 7 | 6 | 5 | 4 | 3 | 2 | 1 | 0 |
| 0 | 1 | 1 | 0 | 0 | 1 | 0 | 1 |
| W0C | W0C | W0C | W0C | W0C | W0C | W0C | W0C |

LEGEND: R/W = Read/Write; R = Read only; W0C = Write 0 to clear bit; -n = value after reset; -n = value after reset

表 7-103. JESD_ALM_L1 Field Descriptions

| Bit | Field | Type | Reset | Description |
|------|-----------------|------|-------|---|
| 15:8 | ALM_LANE1_ERR | W0C | 0x00 | Lane1 errors: bit 15 = multiframe alignment error bit 14 = frame alignment error bit 13 = link configuration error bit 12 = elastic buffer overflow (bad RBD value) bit 11 = elastic buffer match error. The first non-/K/ doesn't match "match_ctrl" and "match_data" programmed values. bit 10 = code synchronization error bit 9 = 8b/10b not-in-table code error bit 8 = 8b/10b disparity error |
| 7:4 | Reserved | W0C | 0x0 | Reserved |
| 3:0 | ALM_FIFO1_FLAGS | W0C | 0x0 | Lane1 FIFO errors: bit 3 = write_error : High if write request and FIFO is full (NOTE: only released when JESD block is initialize with mem_init_state) bit 2 = write_full : FIFO is FULL bit 1 = read_error : High if read request with empty FIFO (NOTE: only released when JESD block is initialize with mem_init_state) bit 0 = read_empty : FIFO is empty |

7.5.61 JESD Alarms for Lane 2 Register (address = 0x66) [reset = 0x0000]

図 7-94. JESD Alarms for Lane 2 Register (JESD_ALM_L2)

| | | | | | | | |
|-----|-----|-----|-----|-----|-----|-----|-----|
| 15 | 14 | 13 | 12 | 11 | 10 | 9 | 8 |
| 0 | 0 | 0 | 0 | 0 | 0 | 0 | x |
| W0C | W0C | W0C | W0C | W0C | W0C | W0C | W0C |
| 7 | 6 | 5 | 4 | 3 | 2 | 1 | 0 |
| 0 | 1 | 1 | 0 | 0 | 1 | 1 | 0 |
| W0C | W0C | W0C | W0C | W0C | W0C | W0C | W0C |

LEGEND: R/W = Read/Write; R = Read only; W0C = Write 0 to clear bit; -n = value after reset; -n = value after reset

表 7-104. JESD_ALM_L2 Field Descriptions

| Bit | Field | Type | Reset | Description |
|------|-----------------|------|-------|---|
| 15:8 | ALM_LANE2_ERR | W0C | 0x00 | Lane2 errors: bit 15 = multiframe alignment error bit 14 = frame alignment error bit 13 = link configuration error bit 12 = elastic buffer overflow (bad RBD value) bit 11 = elastic buffer match error. The first non-/K/ doesn't match "match_ctrl" and "match_data" programmed values. bit 10 = code synchronization error bit 9 = 8b/10b not-in-table code error bit 8 = 8b/10b disparity error |
| 7:4 | Reserved | W0C | 0x0 | Reserved |
| 3:0 | ALM_FIFO2_FLAGS | W0C | 0x0 | Lane2 FIFO errors: bit 3 = write_error : High if write request and FIFO is full (NOTE: only released when JESD block is initialize with mem_init_state) bit 2 = write_full : FIFO is FULL bit 1 = read_error : High if read request with empty FIFO (NOTE: only released when JESD block is initialize with mem_init_state) bit 0 = read_empty : FIFO is empty |

7.5.62 JESD Alarms for Lane 3 Register (address = 0x67) [reset = 0x0000]

図 7-95. JESD Alarms for Lane 3 Register (JESD_ALM_L3)

| | | | | | | | |
|-----|-----|-----|-----|-----|-----|-----|-----|
| 15 | 14 | 13 | 12 | 11 | 10 | 9 | 8 |
| 0 | 0 | 0 | 0 | 0 | 0 | 0 | x |
| W0C | W0C | W0C | W0C | W0C | W0C | W0C | W0C |
| 7 | 6 | 5 | 4 | 3 | 2 | 1 | 0 |
| 0 | 1 | 1 | 0 | 0 | 1 | 1 | 1 |
| W0C | W0C | W0C | W0C | W0C | W0C | W0C | W0C |

LEGEND: R/W = Read/Write; R = Read only; W0C = Write 0 to clear bit; -n = value after reset; -n = value after reset

表 7-105. JESD_ALM_L3 Field Descriptions

| Bit | Field | Type | Reset | Description |
|------|-----------------|------|-------|---|
| 15:8 | ALM_LANE3_ERR | W0C | 0x00 | Lane3 errors: bit 15 = multiframe alignment error bit 14 = frame alignment error bit 13 = link configuration error bit 12 = elastic buffer overflow (bad RBD value) bit 11 = elastic buffer match error. The first non-/K/ doesn't match "match_ctrl" and "match_data" programmed values. bit 10 = code synchronization error bit 9 = 8b/10b not-in-table code error bit 8 = 8b/10b disparity error |
| 7:4 | Reserved | W0C | 0x0 | Reserved |
| 3:0 | ALM_FIFO3_FLAGS | W0C | 0x0 | Lane3 FIFO errors: bit 3 = write_error : High if write request and FIFO is full (NOTE: only released when JESD block is initialize with mem_init_state) bit 2 = write_full : FIFO is FULL bit 1 = read_error : High if read request with empty FIFO (NOTE: only released when JESD block is initialize with mem_init_state) bit 0 = read_empty : FIFO is empty |

7.5.63 JESD Alarms for Lane 4 Register (address = 0x68) [reset = 0x0000]

図 7-96. JESD Alarms for Lane 4 Register (JESD_ALM_L4)

| | | | | | | | |
|-----|-----|-----|-----|-----|-----|-----|-----|
| 15 | 14 | 13 | 12 | 11 | 10 | 9 | 8 |
| 0 | 0 | 0 | 0 | 0 | 0 | 0 | x |
| W0C | W0C | W0C | W0C | W0C | W0C | W0C | W0C |
| 7 | 6 | 5 | 4 | 3 | 2 | 1 | 0 |
| 0 | 1 | 1 | 0 | 1 | 0 | 0 | 0 |
| W0C | W0C | W0C | W0C | W0C | W0C | W0C | W0C |

LEGEND: R/W = Read/Write; R = Read only; W0C = Write 0 to clear bit; -n = value after reset; -n = value after reset

表 7-106. JESD_ALM_L4 Field Descriptions

| Bit | Field | Type | Reset | Description |
|------|-----------------|------|-------|---|
| 15:8 | ALM_LANE4_ERR | W0C | 0x00 | Lane4 errors: bit 15 = multiframe alignment error bit 14 = frame alignment error bit 13 = link configuration error bit 12 = elastic buffer overflow (bad RBD value) bit 11 = elastic buffer match error. The first non-/K/ doesn't match "match_ctrl" and "match_data" programmed values. bit 10 = code synchronization error bit 9 = 8b/10b not-in-table code error bit 8 = 8b/10b disparity error |
| 7:4 | Reserved | W0C | 0x0 | Reserved |
| 3:0 | ALM_FIFO4_FLAGS | W0C | 0x0 | Lane4 FIFO errors: bit 3 = write_error : High if write request and FIFO is full (NOTE: only released when JESD block is initialize with mem_init_state) bit 2 = write_full : FIFO is FULL bit 1 = read_error : High if read request with empty FIFO (NOTE: only released when JESD block is initialize with mem_init_state) bit 0 = read_empty : FIFO is empty |

7.5.64 JESD Alarms for Lane 5 Register (address = 0x69) [reset = 0x0000]

図 7-97. JESD Alarms for Lane 5 Register (JESD_ALM_L5)

| | | | | | | | |
|-----|-----|-----|-----|-----|-----|-----|-----|
| 15 | 14 | 13 | 12 | 11 | 10 | 9 | 8 |
| 0 | 0 | 0 | 0 | 0 | 0 | 0 | x |
| W0C | W0C | W0C | W0C | W0C | W0C | W0C | W0C |
| 7 | 6 | 5 | 4 | 3 | 2 | 1 | 0 |
| 0 | 1 | 1 | 0 | 1 | 0 | 0 | 1 |
| W0C | W0C | W0C | W0C | W0C | W0C | W0C | W0C |

LEGEND: R/W = Read/Write; R = Read only; W0C = Write 0 to clear bit; -n = value after reset; -n = value after reset

表 7-107. JESD_ALM_L5 Field Descriptions

| Bit | Field | Type | Reset | Description |
|------|-----------------|------|-------|---|
| 15:8 | ALM_LANE5_ERR | W0C | 0x00 | Lane5 errors: bit 15 = multiframe alignment error bit 14 = frame alignment error bit 13 = link configuration error bit 12 = elastic buffer overflow (bad RBD value) bit 11 = elastic buffer match error. The first non-/K/ doesn't match "match_ctrl" and "match_data" programmed values. bit 10 = code synchronization error bit 9 = 8b/10b not-in-table code error bit 8 = 8b/10b disparity error |
| 7:4 | Reserved | W0C | 0x0 | Reserved |
| 3:0 | ALM_FIFO5_FLAGS | W0C | 0x0 | Lane5 FIFO errors: bit 3 = write_error : High if write request and FIFO is full (NOTE: only released when JESD block is initialize with mem_init_state) bit 2 = write_full : FIFO is FULL bit 1 = read_error : High if read request with empty FIFO (NOTE: only released when JESD block is initialize with mem_init_state) bit 0 = read_empty : FIFO is empty |

7.5.65 JESD Alarms for Lane 6 Register (address = 0x6A [reset = 0x0000])

図 7-98. JESD Alarms for Lane 6 Register (JESD_ALM_L6)

| | | | | | | | |
|-----|-----|-----|-----|-----|-----|-----|-----|
| 15 | 14 | 13 | 12 | 11 | 10 | 9 | 8 |
| 0 | 0 | 0 | 0 | 0 | 0 | 0 | x |
| W0C | W0C | W0C | W0C | W0C | W0C | W0C | W0C |
| 7 | 6 | 5 | 4 | 3 | 2 | 1 | 0 |
| 0 | 1 | 1 | 0 | 1 | 0 | 1 | 0 |
| W0C | W0C | W0C | W0C | W0C | W0C | W0C | W0C |

LEGEND: R/W = Read/Write; R = Read only; W0C = Write 0 to clear bit; -n = value after reset; -n = value after reset

表 7-108. JESD_ALM_L6 Field Descriptions

| Bit | Field | Type | Reset | Description |
|------|-----------------|------|-------|---|
| 15:8 | ALM_LANE6_ERR | W0C | 0x00 | Lane6 errors: bit 15 = multiframe alignment error bit 14 = frame alignment error bit 13 = link configuration error bit 12 = elastic buffer overflow (bad RBD value) bit 11 = elastic buffer match error. The first non-/K/ doesn't match "match_ctrl" and "match_data" programmed values. bit 10 = code synchronization error bit 9 = 8b/10b not-in-table code error bit 8 = 8b/10b disparity error |
| 7:4 | Reserved | W0C | 0x0 | Reserved |
| 3:0 | ALM_FIFO6_FLAGS | W0C | 0x0 | Lane6 FIFO errors: bit 3 = write_error : High if write request and FIFO is full (NOTE: only released when JESD block is initialize with mem_init_state) bit 2 = write_full : FIFO is FULL bit 1 = read_error : High if read request with empty FIFO (NOTE: only released when JESD block is initialize with mem_init_state) bit 0 = read_empty : FIFO is empty |

7.5.66 JESD Alarms for Lane 7 Register (address = 0x6B) [reset = 0x0000]

図 7-99. JESD Alarms for Lane 7 Register (JESD_ALM_L7)

| | | | | | | | |
|-----|-----|-----|-----|-----|-----|-----|-----|
| 15 | 14 | 13 | 12 | 11 | 10 | 9 | 8 |
| 0 | 0 | 0 | 0 | 0 | 0 | 0 | x |
| W0C | W0C | W0C | W0C | W0C | W0C | W0C | W0C |
| 7 | 6 | 5 | 4 | 3 | 2 | 1 | 0 |
| 0 | 1 | 1 | 0 | 1 | 0 | 1 | 1 |
| W0C | W0C | W0C | W0C | W0C | W0C | W0C | W0C |

LEGEND: R/W = Read/Write; R = Read only; W0C = Write 0 to clear bit; -n = value after reset; -n = value after reset

表 7-109. JESD Alarms for Lane 7 Register (JESD_ALM_L7)

| Bit | Field | Type | Reset | Description |
|------|-----------------|------|-------|---|
| 15:8 | ALM_LANE7_ERR | W0C | 0x00 | Lane7 errors: bit 15 = multiframe alignment error bit 14 = frame alignment error bit 13 = link configuration error bit 12 = elastic buffer overflow (bad RBD value) bit 11 = elastic buffer match error. The first non-/K/ doesn't match "match_ctrl" and "match_data" programmed values. bit 10 = code synchronization error bit 9 = 8b/10b not-in-table code error bit 8 = 8b/10b disparity error |
| 7:4 | Reserved | W0C | 0x0 | Reserved |
| 3:0 | ALM_FIFO7_FLAGS | W0C | 0x0 | Lane7 FIFO errors: bit 3 = write_error : High if write request and FIFO is full (NOTE: only released when JESD block is initialize with mem_init_state) bit 2 = write_full : FIFO is FULL bit 1 = read_error : High if read request with empty FIFO (NOTE: only released when JESD block is initialize with mem_init_state) bit 0 = read_empty : FIFO is empty |

7.5.67 SYSREF and PAP Alarms Register (address = 0x6C) [reset = 0x0000]

図 7-100. SYSREF and PAP Alarms Register (ALM_SYSREF_PAP)

| | | | | | | | |
|-----|-----|-----|-----|-----|-----|-----|-----|
| 15 | 14 | 13 | 12 | 11 | 10 | 9 | 8 |
| 0 | 0 | 0 | 0 | 0 | 0 | 0 | x |
| W0C | W0C | W0C | W0C | W0C | W0C | W0C | W0C |
| 7 | 6 | 5 | 4 | 3 | 2 | 1 | 0 |
| 0 | 1 | 1 | 0 | 1 | 1 | 0 | 0 |
| W0C | W0C | W0C | W0C | W0C | W0C | W0C | W0C |

LEGEND: R/W = Read/Write; R = Read only; W0C = Write 0 to clear bit; -n = value after reset; -n = value after reset

表 7-110. ALM_SYSREF_PAP Field Descriptions

| Bit | Field | Type | Reset | Description |
|-------|--------------------|------|-------|---|
| 15:13 | Reserved | W0C | 0 | Reserved |
| 12 | ALM_SYSREF_ERR | W0C | | Alarm caused when the sysref is placed at an incorrect location |
| 11 | ALM_FROM_SHORTTEST | W0C | | This is the alarm from JESD during the SHORT TEST checking. |
| 10:7 | ALM_PAP | W0C | 0x0 | The alarms from the PAP blocks indicated which PAP was triggered. bit0 = PAPA bit1 = PAPB bit2 = PAPC bit3 = PAPD |
| 6:2 | Reserved | W0C | 0x0 | Reserved |
| 1 | ALM_DIV192_ZERO | W0C | 0 | This is asserted if the clkdiv192 in the CDRV_SER shift register is all zeros. |

表 7-110. ALM_SYSREF_PAP Field Descriptions (続き)

| Bit | Field | Type | Reset | Description |
|-----|----------|------|-------|-------------|
| 0 | Not Used | W0C | 0 | Not Used |

7.5.68 Clock Divider Alarms 1 Register (address = 0x6D) [reset = 0x0000]

図 7-101. Clock Divider Alarms 1 Register (ALM_CLKDIV1)

| | | | | | | | |
|-----|-----|-----|-----|-----|-----|-----|-----|
| 15 | 14 | 13 | 12 | 11 | 10 | 9 | 8 |
| 0 | 0 | 0 | 0 | 0 | 0 | 0 | x |
| W0C | W0C | W0C | W0C | W0C | W0C | W0C | W0C |
| 7 | 6 | 5 | 4 | 3 | 2 | 1 | 0 |
| 0 | 1 | 1 | 0 | 1 | 1 | 0 | 1 |
| W0C | W0C | W0C | W0C | W0C | W0C | W0C | W0C |

LEGEND: R/W = Read/Write; R = Read only; W0C = Write 0 to clear bit; -n = value after reset; -n = value after reset

表 7-111. ALM_CLKDIV1 Field Descriptions

| Bit | Field | Type | Reset | Description |
|-----|-----------------|------|-------|---|
| 15 | ALM_DIV8_ZERO | W0C | 0 | Asserted if the clkdiv8 in the CDRV_SER shift register is all zeros. |
| 14 | ALM_DIV12_ZERO | W0C | 0 | Asserted if the clkdiv12 in the CDRV_SER shift register is all zeros. |
| 13 | ALM_DIV16_ZERO | W0C | 0 | Asserted if the clkdiv16 in the CDRV_SER shift register is all zeros. |
| 12 | ALM_DIV24_ZERO | W0C | 0 | Asserted if the clkdiv24 in the CDRV_SER shift register is all zeros. (Connected to the div18 port) |
| 11 | ALM_DIV20_ZERO | W0C | 0 | Asserted if the clkdiv20 in the CDRV_SER shift register is all zeros. |
| 10 | ALM_DIV32_ZERO | W0C | 0 | Asserted if the clkdiv32 in the CDRV_SER shift register is all zeros. |
| 9 | ALM_DIV36_ZERO | W0C | 0 | Asserted if the clkdiv36 in the CDRV_SER shift register is all zeros. |
| 8 | ALM_DIV40_ZERO | W0C | 0 | Asserted if the clkdiv40 in the CDRV_SER shift register is all zeros. |
| 7 | ALM_DIV48_ZERO | W0C | 0 | Asserted if the clkdiv48 in the CDRV_SER shift register is all zeros. |
| 6 | ALM_DIV64_ZERO | W0C | 0 | Asserted if the clkdiv64 in the CDRV_SER shift register is all zeros. |
| 5 | ALM_DIV72_ZERO | W0C | 0 | Asserted if the clkdiv72 in the CDRV_SER shift register is all zeros. |
| 4 | ALM_DIV80_ZERO | W0C | 0 | Asserted if the clkdiv80 in the CDRV_SER shift register is all zeros. |
| 3 | ALM_DIV96_ZERO | W0C | 0 | Asserted if the clkdiv96 in the CDRV_SER shift register is all zeros. |
| 2 | ALM_DIV128_ZERO | W0C | 0 | Asserted if the clkdiv128 in the CDRV_SER shift register is all zeros. |
| 1 | ALM_DIV144_ZERO | W0C | 0 | Asserted if the clkdiv144 in the CDRV_SER shift register is all zeros. |
| 0 | ALM_DIV160_ZERO | W0C | 0 | Asserted if the clkdiv160 in the CDRV_SER shift register is all zeros. |

7.5.69 Clock Configuration Register (address = 0x0A) [reset = 0xFC03]

図 7-102. Clock Configuration Register (CLK_CONFIG)

| | | | | | | | |
|-----|-----|-----|-----|-----|-----|-----|-----|
| 15 | 14 | 13 | 12 | 11 | 10 | 9 | 8 |
| 0 | 0 | 0 | 0 | 0 | 0 | 0 | x |
| R/W | R/W | R/W | R/W | R/W | R/W | R/W | R/W |
| 7 | 6 | 5 | 4 | 3 | 2 | 1 | 0 |
| 0 | 0 | 0 | 0 | 1 | 0 | 1 | 0 |
| R/W | R/W | R/W | R/W | R/W | R/W | R/W | R/W |

LEGEND: R/W = Read/Write; R = Read only; -n = value after reset

表 7-112. CLK_CONFIG Field Descriptions

| Bit | Field | Type | Reset | Description |
|-----|------------------|------|-------|---|
| 15 | RCLK_SYNC_ENA | RW | 1 | When asserted the sysref is used to sync the clock divider in the centralclkdiv. This should be disabled after initial syncing. |
| 14 | FRCLK_DIV_ENA | RW | 1 | When asserted the full rate clock divider that provides the DIV4 phases to the DACs is enabled |
| 13 | DACA_FRCLK_ENA | RW | 1 | When asserted the full rate clock to the DACA block is enabled |
| 12 | DACB_FRCLK_ENA | RW | 1 | When asserted the full rate clock to the DACB block is enabled |
| 11 | DACA_DUMDATA | RW | 0 | Enables distortion enhancement for DACA when set high |
| 10 | DACB_DUMDATA | RW | 0 | Enables distortion enhancement for DACB when set high |
| 9:2 | Reserved | RW | 0x000 | Reserved |
| 1 | QRCLOCK_DACA_ENA | RW | 1 | Turns on the quarter rate clock for DACA when '1' |
| 0 | QRCLOCK_DACB_ENA | RW | 1 | Turns on the quarter rate clock for DACB when '1' |

7.5.70 Sleep Configuration Register (address = 0x0B) [reset = 0x0022]

図 7-103. Clock Configuration Register (SLEEP_CONFIG)

| | | | | | | | |
|-----|-----|-----|-----|-----|-----|-----|-----|
| 15 | 14 | 13 | 12 | 11 | 10 | 9 | 8 |
| 0 | 0 | 0 | 0 | 0 | 0 | 0 | x |
| R/W | R/W | R/W | R/W | R/W | R/W | R/W | R/W |
| 7 | 6 | 5 | 4 | 3 | 2 | 1 | 0 |
| 0 | 0 | 0 | 0 | 1 | 0 | 1 | 1 |
| R/W | R/W | R/W | R/W | R/W | R/W | R/W | R/W |

LEGEND: R/W = Read/Write; R = Read only; -n = value after reset

表 7-113. SLEEP_CONFIG Field Descriptions

| Bit | Field | Type | Reset | Description |
|------|--------------|------|---------|--|
| 15:9 | Reserved | RW | 0000000 | Reserved |
| 8 | VBGR_SLEEP | RW | 0 | Turns off the 'bandgap-over-R' bias |
| 7 | Reserved | RW | 0 | Reserved |
| 6 | TSENSE_SLEEP | RW | 0 | Turns off the temperature sensor |
| 5 | PLL_SLEEP | RW | 1 | Puts the PLL into sleep mode (FUSE Controlled) |
| 4 | CLKRCV_SLEEP | RW | 0 | When asserted the clock input receiver gets put into sleep mode. This also affects the FIFO_OSTR receiver as well. |
| 3 | DACA_SLEEP | RW | 0 | Puts the DACA into sleep mode |
| 2 | DACB_SLEEP | RW | 0 | Puts the DACB into sleep mode |
| 1 | CLK_TX_SLEEP | RW | 1 | When asserted the PLL TX clock output is in low power mode. |

表 7-113. SLEEP_CONFIG Field Descriptions (続き)

| Bit | Field | Type | Reset | Description |
|-----|----------|------|-------|-------------|
| 0 | Reserved | RW | 0 | Reserved |

7.5.71 Divided Output Clock Configuration Register (address = 0x0C) [reset = 0x2002]

図 7-104. Divided Output Clock Configuration Register (CLK_OUT)

| | | | | | | | | | | | | | | | |
|-----|-----|-----|-----|-----|-----|-----|-----|-----|-----|-----|-----|-----|-----|-----|--|
| 15 | | 14 | | 13 | | 12 | | 11 | | 10 | | 9 | | 8 | |
| 1 | 0 | 0 | 0 | 0 | 0 | 0 | 0 | 0 | 0 | 0 | 0 | 0 | 0 | x | |
| R/W | R/W | R/W | R/W | R/W | R/W | R/W | R/W | R/W | R/W | R/W | R/W | R/W | R/W | R/W | |
| 7 | | 6 | | 5 | | 4 | | 3 | | 2 | | 1 | | 0 | |
| 0 | 0 | 0 | 0 | 0 | 0 | 1 | 1 | 0 | 0 | | | | | | |
| R/W | R/W | R/W | R/W | R/W | R/W | R/W | R/W | R/W | R/W | R/W | R/W | R/W | R/W | R/W | |

LEGEND: R/W = Read/Write; R = Read only; -n = value after reset

表 7-114. CLK_OUT Field Descriptions

| Bit | Field | Type | Reset | Description |
|-------|------------------|------|-------|--|
| 15 | CLK_TX_IDLE | R/W | 1 | When high puts the CLK_TX circuitry in idle mode during which the CLKTX+ and CLKTX- output pins are driven to the proper common-mode levels in order to charge the external AC coupling caps. When low allows the divided clock to be driven onto the CLKTX+ and CLKTX- output pins. |
| 14:13 | CLK_TX_DIVSELECT | R/W | 01 | Selects either div2, div3 or div 4 output. 00 = divided by 3 01 = divided by 4 10 = divided by 2 11 = not valid |
| 12 | Reserved | R/W | 0 | Reserved |
| 11:8 | CLK_TX_SWING | R/W | 0x0 | Sets desired swing on CLKTX+ and CLKTX- outputs in mVpp-diff 0x0 125 0x1 232 0x2 337 0x3 440 0x4 540 0x5 639 0x6 736 0x7 831 0x8 924 0x9 1012 0xA 1097 0xB 1178 0xC 1255 0xD 1329 0xE 1398 0xF 1462 |
| 7:3 | Reserved | R/W | 00000 | Reserved |
| 2 | CLK_TX_FLIP | R/W | 0 | Flips the polarity of CLKTX |
| 1 | TX_SYNC_ENA | R/W | 1 | Syncs the CLKTX with SYSREF when asserted |
| 0 | EXTREF_ENA | R/W | 0 | Allows the chip to use an external reference(1) or the internal reference(0) |

7.5.72 DAC Fullscale Current Register (address = 0x0D) [reset = 0xF000]

図 7-105. DAC Fullscale Current Register (DACFS)

| | | | | | | | |
|-----|-----|-----|-----|-----|-----|-----|-----|
| 15 | 14 | 13 | 12 | 11 | 10 | 9 | 8 |
| 0 | 0 | 0 | 0 | 0 | 0 | 0 | x |
| R/W | R/W | R/W | R/W | R/W | R/W | R/W | R/W |
| 7 | 6 | 5 | 4 | 3 | 2 | 1 | 0 |
| 0 | 0 | 0 | 0 | 1 | 1 | 0 | 1 |
| R/W | R/W | R/W | R/W | R/W | R/W | R/W | R/W |

LEGEND: R/W = Read/Write; R = Read only; -n = value after reset

表 7-115. DACFS Field Descriptions

| Bit | Field | Type | Reset | Description |
|-------|----------|------|-------|---|
| 15:12 | DACFS | R/W | 0xF | Scales the output current in 16 equal steps from 10-40mA (10mA + 2mA*DACFS) |
| 11:0 | Reserved | R/W | 0x000 | Reserved |

7.5.73 Internal SYSREF Generator Register (address = 0x10) [reset = 0x0000]

図 7-106. Internal SYSREF Register (LCMGEN)

| | | | | | | | |
|-----|-----|-----|-----|-----|-----|-----|-----|
| 15 | 14 | 13 | 12 | 11 | 10 | 9 | 8 |
| 0 | 0 | 0 | 0 | 0 | 0 | 0 | x |
| R/W | R/W | R/W | R/W | R/W | R/W | R/W | R/W |
| 7 | 6 | 5 | 4 | 3 | 2 | 1 | 0 |
| 0 | 0 | 0 | 0 | 1 | 1 | 0 | 1 |
| R/W | R/W | R/W | R/W | R/W | R/W | R/W | R/W |

LEGEND: R/W = Read/Write; R = Read only; -n = value after reset

表 7-116. LCMGEN Field Descriptions⁽¹⁾

| Bit | Field | Type | Reset | Description |
|------|-----------------------|------|-------|--|
| 15:4 | Reserved | R/W | 0x00 | Reserved |
| 3 | LCMGEN_ENA | R/W | 0 | Enables the LCM custom logic |
| 2 | LCMGEN_RESET | R/W | 0 | Reset the LCM custom logic |
| 1 | LCMGEN_SPI_SYSREF_ENA | R/W | 0 | Enables SPI SYSREF for Internal SYSREF Generator |
| 0 | LCM_SYSREF_OUTSEL | R/W | 0 | Chooses between internal and external SYSREF |

(1) DACCLK must be ≤ 1 Gps for this function to work.

7.5.74 Counter for Internal SYSREF Generator Register (address = 0x11) [reset = 0x0000]

図 7-107. Counter for Internal SYSREF Generator Register (LCMGEN_DIV)

| | | | | | | | |
|-----|-----|-----|-----|-----|-----|-----|-----|
| 15 | 14 | 13 | 12 | 11 | 10 | 9 | 8 |
| 0 | 0 | 0 | 0 | 0 | 0 | 0 | x |
| R/W | R/W | R/W | R/W | R/W | R/W | R/W | R/W |
| 7 | 6 | 5 | 4 | 3 | 2 | 1 | 0 |
| 0 | 0 | 0 | 0 | 1 | 1 | 0 | 1 |
| R/W | R/W | R/W | R/W | R/W | R/W | R/W | R/W |

LEGEND: R/W = Read/Write; R = Read only; -n = value after reset

表 7-117. LCMGEN_DIV Field Descriptions⁽¹⁾

| Bit | Field | Type | Reset | Description |
|------|------------|------|-------|--------------------------------------|
| 15:0 | LCMGEN_DIV | R/W | 0x00 | Counter setting for the LCMGEN block |

(1) DACCLK must be ≤ 1 Gsps for this function to work.

7.5.75 SPI SYSREF for Internal SYSREF Generator Register (address = 0x12) [reset = 0x0000]

表 7-108. SPI SYSREF for Internal SYSREF Generator Register (LCMGEN_SPISYSREF)

| | | | | | | | |
|-----|-----|-----|-----|-----|-----|-----|-----|
| 15 | 14 | 13 | 12 | 11 | 10 | 9 | 8 |
| 0 | 0 | 0 | 0 | 0 | 0 | 0 | x |
| R/W | R/W | R/W | R/W | R/W | R/W | R/W | R/W |
| 7 | 6 | 5 | 4 | 3 | 2 | 1 | 0 |
| 0 | 0 | 0 | 0 | 1 | 1 | 0 | 1 |
| R/W | R/W | R/W | R/W | R/W | R/W | R/W | R/W |

LEGEND: R/W = Read/Write; R = Read only; -n = value after reset

表 7-118. LCMGEN_SPISYSREF Field Descriptions⁽¹⁾

| Bit | Field | Type | Reset | Description |
|------|-------------------|------|-------|---------------------------------|
| 15:1 | Reserved | R/W | 0x00 | Reserved |
| 0 | LCMGEN_SPI_SYSREF | R/W | 0 | SPI SYSREF for the LCMGEN block |

(1) DACCLK must be ≤ 1Gbps for this function to work.

7.5.76 Digital Test Signals Register (address = 0x1B) [reset = 0x0000]

表 7-109. Digital Test Signals Register (DTEST)

| | | | | | | | |
|-----|-----|-----|-----|-----|-----|-----|-----|
| 15 | 14 | 13 | 12 | 11 | 10 | 9 | 8 |
| 0 | 0 | 0 | 0 | 0 | 0 | 0 | x |
| R/W | R/W | R/W | R/W | R/W | R/W | R/W | R/W |
| 7 | 6 | 5 | 4 | 3 | 2 | 1 | 0 |
| 0 | 0 | 0 | 1 | 1 | 0 | 1 | 1 |
| R/W | R/W | R/W | R/W | R/W | R/W | R/W | R/W |

LEGEND: R/W = Read/Write; R = Read only; -n = value after reset

表 7-119. DTEST Field Descriptions

| Bit | Field | Type | Reset | Description |
|-------|------------|------|-------|---|
| 15 | Reserved | R/W | 0 | Reserved |
| 14:12 | DTEST_LANE | R/W | 000 | Selects the lane to check for the signals selected by field DTEST |
| 11:8 | DTEST | R/W | 0x0 | Allows digital test signals to come out the ALARM pin. 0000 : Test disabled; normal ALARM pin function 0001 : SERDES lanes 0 – 3 PLL clock/80 0010 : SERDES lanes 4 – 7 PLL clock/80 0011 : TESTFAIL (lane selected by field DTEST_LANE) 0100 : SYNC (lane selected by field DTEST_LANE) 0101 : OCIP (lane selected by field DTEST_LANE) 0110 : EQUNDER (lane selected by field DTEST_LANE) 0111 : EQOVER (lane selected by field DTEST_LANE) 1000 – 1111 : not used |
| 7:0 | Reserved | R/W | 0x00 | Reserved |

7.5.77 Sleep Pin Control Register (address = 0x23) [reset = 0xFFFF]

These fields control the routing of the SLEEP signal to different blocks. Assertion means that the SLEEP signal will be sent to the block. These bits do not override the SPI bits; just the SLEEP signal from the PAD.

☒ 7-110. Sleep Pin Control Register (SLEEP_CNTL)

| | | | | | | | |
|-----|-----|-----|-----|-----|-----|-----|-----|
| 15 | 14 | 13 | 12 | 11 | 10 | 9 | 8 |
| 0 | 0 | 0 | 0 | 0 | 0 | 0 | x |
| R/W | R/W | R/W | R/W | R/W | R/W | R/W | R/W |
| 7 | 6 | 5 | 4 | 3 | 2 | 1 | 0 |
| 0 | 0 | 1 | 0 | 0 | 0 | 1 | 1 |
| R/W | R/W | R/W | R/W | R/W | R/W | R/W | R/W |

LEGEND: R/W = Read/Write; R = Read only; -n = value after reset

表 7-120. SLEEP_CNTL Field Descriptions

| Bit | Field | Type | Reset | Description |
|-------|----------------|------|-------|-------------------------------------|
| 15:10 | Reserved | R/W | 11111 | Reserved |
| 9 | CLKOUT_SLEEP | R/W | 1 | Allows the output clock to sleep |
| 8 | BG_SLEEP | R/W | 1 | Allows the band gap to sleep |
| 7 | TEMP_SLEEP | R/W | 1 | Allows the temp sensor to sleep |
| 6 | PLL_CP_SLEEP | R/W | 1 | Allows the PLL charge pump to sleep |
| 5 | PLL_SLEEP | R/W | 1 | Allows the PLL to sleep |
| 4 | CLK_RECV_SLEEP | R/W | 1 | Allows the clock receiver to sleep |
| 3:2 | Reserved | R/W | 11 | Reserved |
| 1 | DACB_SLEEP | R/W | 1 | Allows DACB to sleep |
| 0 | DACA_SLEEP | R/W | 1 | Allows DACA to sleep |

7.5.78 SYSREF Capture Circuit Control Register (address = 0x24) [reset = 0x1000]

図 7-111. SYSREF Capture Circuit Control Register (SYSR_CAPTURE)

| | | | | | | | |
|-----|-----|-----|-----|-----|-----|-----|-----|
| 15 | 14 | 13 | 12 | 11 | 10 | 9 | 8 |
| 0 | 0 | 0 | 0 | 0 | 0 | 0 | x |
| R/W | R/W | R/W | R/W | R/W | R/W | R/W | R/W |
| 7 | 6 | 5 | 4 | 3 | 2 | 1 | 0 |
| 0 | 1 | 0 | 0 | 0 | 1 | 0 | 0 |
| R/W | R/W | R/W | R/W | R/W | R/W | R/W | R/W |

LEGEND: R/W = Read/Write; R = Read only; -n = value after reset

表 7-121. SYSR_CAPTURE Field Descriptions

| Bit | Field | Type | Reset | Description |
|-------|-----------------|------|-------|---|
| 15:14 | SYSR_PHASE_WDW | R/W | 00 | sysref phase alignment tolerance window Centers sysref capture window as follows: 00 = Centered on phase ϕ_{12} (**DEFAULT**) 01 = Centered on phase ϕ_{23} 10 = Centered on phase ϕ_{34} 11 = Centered on phase ϕ_{41} |
| 13:12 | SYSR_ALIGN_DLY | R/W | 01 | sysref alignment offset delay Optional alignment offset that allows system designer to work around hardware (for example, PCB) alignment errors by letting him specify that the sysref pulse should be treated as occurring one device clock earlier or later than its observed position. Legal settings are as follows: 00 = Offset by -1 device clock cycles. Treat sysref as if it were captured 1 cycle earlier. 01 = No offset (**DEFAULT**) 10 = Offset by +1 device clock cycles. Treat sysref as if it were captured 1 cycle later. 11 = Reserved |
| 11 | SYSR_STATUS_ENA | R/W | 0 | Enable alignment status monitoring Enable logic that generates sysref alignment status information and accumulates statistics that can be read by the user. 0 = Disable sysref alignment status outputs (**DEFAULT**). Used during normal operation. 1 = Enable sysref alignment status outputs. Used when characterizing sysref capture timing. |
| 10:2 | Reserved | R/W | 0x000 | Reserved |
| 1 | SYSR_ALIGN_SYNC | R/W | 0 | Write a '1' to this bit to clear accumulated sysref align statistics |
| 0 | SYSR_BYPS_ALIGN | R/W | 0 | Bypass sysref alignment logic. Bypass the 4x oversampled sysref alignment logic and instead capture the sysref signal using the legacy implementation of a flip-flop clocked directly by the rising edge of the device clock. 0 = Capture sysref using full-featured alignment circuit (**DEFAULT**) 1 = Bypass sysref alignment logic NOTE: When mem_sysref_bypass_align is enabled, the other sysref alignment controls have no effect. |

7.5.79 Clock Input and PLL Configuration Register (address = 0x31) [reset = 0x0200]

図 7-112. Clock Input and PLL Configuration Register (CLK_PLL_CFG)

| | | | | | | | | | | | | | | | |
|-----|--|-----|--|-----|--|-----|--|-----|--|-----|--|-----|--|-----|--|
| 15 | | 14 | | 13 | | 12 | | 11 | | 10 | | 9 | | 8 | |
| 0 | | 0 | | 0 | | 0 | | 0 | | 0 | | 0 | | x | |
| R/W | | R/W | | R/W | | R/W | | R/W | | R/W | | R/W | | R/W | |
| 7 | | 6 | | 5 | | 4 | | 3 | | 2 | | 1 | | 0 | |
| 0 | | 0 | | 1 | | 1 | | 0 | | 0 | | 0 | | 1 | |
| R/W | | R/W | | R/W | | R/W | | R/W | | R/W | | R/W | | R/W | |

LEGEND: R/W = Read/Write; R = Read only; -n = value after reset

表 7-122. Clock Input and PLL Configuration Register (CLK_PLL_CFG)

| Bit | Field | Type | Reset | Description |
|-------|-------------------|------|-------|---|
| 15:14 | Reserved | R/W | 00 | Reserved |
| 13 | SEL_EXTCLK_DIFFSE | R/W | 0 | Selects the external differential or single ended clock for DACCLK. 0 = differential 1 = single ended |
| 12 | PLL_RESET | R/W | 0 | When set the M divider; N divider and PFD are held reset |
| 11 | PLL_NDIVSYNC_ENA | R/W | 0 | When asserted; the SYSREF input is used to sync the N dividers of the PLL. |
| 10 | PLL_ENA | R/W | 0 | Enables the PLL output as the DAC clock when set; the clock provided at the DACCLKP/N is used as the PLL reference clock. When cleared; the PLL is bypassed and the clock provided at the DACCLKP/N pins is used as the DAC clock |
| 9 | PLL_CP_SLEEP | R/W | 1 | Must be set to '0' for proper PLL operation. 1 = Charge pump is put to sleep and can be driven by external source through the ATEST pins. |
| 8 | Reserved | R/W | 0 | Reserved |
| 7:3 | PLL_N_M1 | R/W | 00000 | Reference clock divider; divide by is N+1 |
| 2:0 | LOCKDET_ADJ | R/W | 000 | Adjusts the lock detector sensitivity. Upper bit isn't used: x00 - highest sensitivity x11 - lowest sensitivity |

7.5.80 PLL Configuration 1 Register (address = 0x32) [reset = 0x0308]

図 7-113. PLL Configuration 1 Register (PLL_CONFIG1)

| | | | | | | | |
|-----|-----|-----|-----|-----|-----|-----|-----|
| 15 | 14 | 13 | 12 | 11 | 10 | 9 | 8 |
| 0 | 0 | 0 | 0 | 0 | 0 | 0 | x |
| R/W | R/W | R/W | R/W | R/W | R/W | R/W | R/W |
| 7 | 6 | 5 | 4 | 3 | 2 | 1 | 0 |
| 0 | 0 | 1 | 1 | 0 | 0 | 1 | 0 |
| R/W | R/W | R/W | R/W | R/W | R/W | R/W | R/W |

LEGEND: R/W = Read/Write; R = Read only; -n = value after reset

表 7-123. CONFIG1 Field Descriptions

| Bit | Field | Type | Reset | Description |
|------|--------------|------|-------|---|
| 15:8 | PLL_M_M1 | R/W | 0x03 | VCO feedback divider; divide by is 4(M+1) |
| 7:4 | Reserved | R/W | 0x0 | Reserved |
| 3:0 | PLL_VCO_RDAC | R/W | 0x8 | Controls the VCO amplitude |

7.5.81 PLL Configuration 2 Register (address = 0x33) [reset = 0x4018]

図 7-114. PLL Configuration 2 Register (PLL_CONFIG2)

| | | | | | | | |
|-----|-----|-----|-----|-----|-----|-----|-----|
| 15 | 14 | 13 | 12 | 11 | 10 | 9 | 8 |
| 0 | 0 | 0 | 0 | 0 | 0 | 0 | x |
| R/W | R/W | R/W | R/W | R/W | R/W | R/W | R/W |
| 7 | 6 | 5 | 4 | 3 | 2 | 1 | 0 |
| 0 | 0 | 1 | 1 | 0 | 0 | 1 | 1 |
| R/W | R/W | R/W | R/W | R/W | R/W | R/W | R/W |

LEGEND: R/W = Read/Write; R = Read only; -n = value after reset

表 7-124. PLL_CONFIG2 Field Descriptions

| Bit | Field | Type | Reset | Description |
|------|------------|------|---------|--|
| 15 | PLL_VCOSEL | R/W | 0 | Selects between two VCOs 0 = 5.9 GHz VCO(2 turn inductor in upper VCO) 1 = 8.9 GHz VCO (1 turn in the lower VCO) |
| 14:8 | PLL_VCO | R/W | 1000000 | VCO frequency range |
| 7:6 | Reserved | R/W | 000 | Reserved |
| 5:2 | PLL_CP_ADJ | R/W | 0110 | Adjusts the charge pump current; 0 to 1.55 mA in 50 µA steps. Setting to 0000 will hold the LPF pin at 0 V |
| 1 | Reserved | R/W | 0 | Reserved |
| 0 | Reserved | R/W | 0 | Reserved. Always write 0 |

7.5.82 LVDS Output Configuration Register (address = 0x34) [reset = 0x0000]

図 7-115. LVDS Output Configuration Register (LVDS_CONFIG)

| | | | | | | | |
|-----|-----|-----|-----|-----|-----|-----|-----|
| 15 | 14 | 13 | 12 | 11 | 10 | 9 | 8 |
| 0 | 0 | 0 | 0 | 0 | 0 | 0 | x |
| R/W | R/W | R/W | R/W | R/W | R/W | R/W | R/W |
| 7 | 6 | 5 | 4 | 3 | 2 | 1 | 0 |
| 0 | 0 | 1 | 1 | 0 | 1 | 0 | 0 |
| R/W | R/W | R/W | R/W | R/W | R/W | R/W | R/W |

LEGEND: R/W = Read/Write; R = Read only; -n = value after reset

表 7-125. LVDS_CONFIG Field Descriptions

| Bit | Field | Type | Reset | Description |
|-------|----------------|------|-------|--|
| 15 | LVDS_LOPW RB | R/W | 0 | LVDS Output current control LSB; allows output current to be scaled from ~2 mA to ~4 mA |
| 14 | LVDS_LOPW RA | R/W | 0 | LVDS Output current control MSB; allows output current to be scaled from ~2 mA to ~4 mA |
| 13 | LVDS_LPSEL | R/W | 0 | SYNC LVDS output on chip termination control; 100 Ω when cleared; 200 Ω Output current settings for the combination of bits 15:13 110 = 4.00 mA 010 = 3.50 mA 100 = 3.00 mA 000 = 2.50 mA – Default current 111 = 4.00 mA 011 = 3.33 mA 101 = 2.66 mA 001 = 2.00 mA |
| 12 | LVDS_EFUSE_SEL | R/W | 0 | Enable LVDS bias bandgap reference voltage to the ATEST multiplexer. |
| 11:10 | LVDS_TRIM | R/W | 00 | Adjusts the LVDS 1.2 V reference. LVDS_TRIM_ENA must be set and LVDS_EFUSE_SEL must be cleared for these bits to have any effect. 10 +70 mV 00 -70 mV 01 default 11 -20 mV. |
| 9 | LVDS_TRIM_ENA | R/W | 0 | When set and LVDS_EFUSE_SEL is cleared; the LVDS_TRIM adjustment is enabled. When cleared; the LVDS_TRIM has no effect. |
| 8 | LVDS_SYNC0_PD | R/W | 0 | The SYNC0 LVDS output is in power down. |
| 7 | Reserved | R/W | 0 | Reserved |
| 6 | LVDS_SYNC0_CM | R/W | 0 | SYNC0 LVDS output common mode is 1.2 V when cleared; 0.9 V when set. |
| 5:0 | Reserved | R/W | 0x00 | Reserved |

7.5.83 Fuse Farm clock divider Register (address = 0x35) [reset = 0x0018]

図 7-116. Fuse Farm clock divider Register (PLL_FDIV)

| | | | | | | | | | | | | | | | |
|-----|--|-----|--|------|--|-----|--|-----|--|-----|--|-----|--|-----|--|
| 15 | | 14 | | 13 | | 12 | | 11 | | 10 | | 9 | | 8 | |
| 0 | | 0 | | 0 | | 0 | | 0 | | 0 | | 0 | | x | |
| R/W | | R/W | | R/W | | R/W | | R/W | | R/W | | R/W | | R/W | |
| 7 | | 6 | | 5 | | 4 | | 3 | | 2 | | 1 | | 0 | |
| 0 | | 0 | | 1 | | 1 | | 1 | | 0 | | 1 | | 1 | |
| R/W | | R/W | | R/1W | | R/W | | R/W | | R/W | | R/W | | R/W | |

LEGEND: R/W = Read/Write; R = Read only; -n = value after reset

表 7-126. PLL_FDIV Field Descriptions

| Bit | Field | Type | Reset | Description |
|------|----------|------|-------|---------------------------------|
| 15:8 | Reserved | R/W | 0 | Reserved |
| 7:0 | PLL_FDIV | R/W | 0x18 | Clock divider for the Fuse farm |

7.5.84 Serdes Clock Configuration Register (address = 0x3B) [reset = 0x1802]

図 7-117. Serdes Clock Configuration Register (SRDS_CLK_CFG)

| | | | | | | | |
|-----|-----|-----|-----|-----|-----|-----|-----|
| 15 | 14 | 13 | 12 | 11 | 10 | 9 | 8 |
| 0 | 0 | 0 | 0 | 0 | 0 | 0 | x |
| R/W | R/W | R/W | R/W | R/W | R/W | R/W | R/W |
| 7 | 6 | 5 | 4 | 3 | 2 | 1 | 0 |
| 0 | 0 | 1 | 1 | 1 | 0 | 1 | 1 |
| R/W | R/W | R/W | R/W | R/W | R/W | R/W | R/W |

LEGEND: R/W = Read/Write; R = Read only; -n = value after reset

表 7-127. SRDS_CLK_CFG Field Descriptions

| Bit | Field | Type | Reset | Description |
|-------|----------------------|------|--------|--|
| 15 | SERDES_CLK_SEL | R/W | 0 | Select either the PLL output of the DACCLK from the pad. 0 = DACCLK pad 1 = PLL output |
| 14:11 | SERDES_REFCLK_DIV | R/W | 0x0111 | The divide amount for the serdes REFCLK minus 1 |
| 10:2 | Reserved | R/W | 0x000 | Reserved |
| 1:0 | SERDES_REFCLK_PREDIV | R/W | 10 | These bits select the pre-divide on the DACCLK input clock before the DACCLK is used in the dividers used in the SERDES PLL REFCLK and the Fusefarm SYSCLK. 00 = if DACCLK input ≤ 2 GHz; prediv is set to div1 01 = if DACCLK input is ≤ 4 GHz and > 2 GHz, prediv is set to div2 10 = if DACCLK input is ≤ 9 GHz and > 4 GHz, prediv is set to div4 11 = Not valid |

7.5.85 Serdes PLL Configuration Register (address = 0x3C) [reset = 0x8228]

図 7-118. Serdes PLL Configuration Register (SRDS_PLL_CFG)

| | | | | | | | |
|-----|-----|-----|-----|-----|-----|-----|-----|
| 15 | 14 | 13 | 12 | 11 | 10 | 9 | 8 |
| 0 | 0 | 0 | 0 | 0 | 0 | 0 | x |
| R/W | R/W | R/W | R/W | R/W | R/W | R/W | R/W |
| 7 | 6 | 5 | 4 | 3 | 2 | 1 | 0 |
| 0 | 0 | 1 | 1 | 1 | 1 | 0 | 0 |
| R/W | R/W | R/W | R/W | R/W | R/W | R/W | R/W |

LEGEND: R/W = Read/Write; R = Read only; -n = value after reset

表 7-128. SRDS_PLL_CFG Field Descriptions

| Bit | Field | Type | Reset | Description |
|-------|----------|------|----------|--|
| 15 | ENDIVCLK | R/W | 1 | Enable divided by 5 output clock |
| 14:3 | CLKBYP | R/W | 00 | Serdes clock bypass |
| 12:11 | LB | R/W | 00 | Serdes PLL loop bandwidth |
| 10 | SLEEPPLL | R/W | 0 | Serdes PLL Sleep |
| 9 | VRANGE | R/W | 1 | Serdes PLL loop filter range |
| 8:1 | MPY | R/W | 00010100 | Serdes reference clock multiplication factor 表 7-4 |
| 0 | CORRECT | R/W | 0 | AND'ed with LANE_ENA so it must be set to 1 for correct behavior |

7.5.86 Serdes Configuration 1 Register (address = 0x3D) [reset = 0x0x0088]

図 7-119. Serdes Configuration 1 Register (SRDS_CFG1)

| | | | | | | | |
|-----|-----|-----|-----|-----|-----|-----|-----|
| 15 | 14 | 13 | 12 | 11 | 10 | 9 | 8 |
| 0 | 0 | 0 | 0 | 0 | 0 | 0 | x |
| R/W | R/W | R/W | R/W | R/W | R/W | R/W | R/W |
| 7 | 6 | 5 | 4 | 3 | 2 | 1 | 0 |
| 0 | 0 | 1 | 1 | 1 | 1 | 0 | 1 |
| R/W | R/W | R/W | R/W | R/W | R/W | R/W | R/W |

LEGEND: R/W = Read/Write; R = Read only; -n = value after reset

表 7-129. RDS_CFG1 Field Descriptions

| Bit | Field | Type | Reset | Description |
|-------|----------|------|-------|--|
| 15 | Reserved | R/W | 0 | Reserved |
| 14:12 | TESTPATT | R/W | 000 | Test pattern |
| 11 | BSINRXN | R/W | 0 | Enable boundary scan - pins |
| 10 | BSINRXP | R/W | 0 | Enable boundary scan + pins |
| 9:8 | Reserved | R/W | 00 | Reserved |
| 7 | ENOC | R/W | 1 | Enable Serdes offset compensation |
| 6 | EQHLD | R/W | 0 | Equalizer hold |
| 5:3 | EQ | R/W | 001 | Serdes equalizer |
| 2:0 | CDR | R/W | 000 | Clock data recovery algorithm settings |

7.5.87 Serdes Configuration 2 Register (address = 0x3E) [reset = 0x0x0909]

図 7-120. Serdes Configuration 2 Register (SRDS_CFG2)

| | | | | | | | | | | | | | | | |
|-----|--|-----|--|-----|--|-----|--|-----|--|-----|--|-----|--|-----|--|
| 15 | | 14 | | 13 | | 12 | | 11 | | 10 | | 9 | | 8 | |
| 0 | | 0 | | 0 | | 0 | | 0 | | 0 | | 0 | | x | |
| R/W | | R/W | | R/W | | R/W | | R/W | | R/W | | R/W | | R/W | |
| 7 | | 6 | | 5 | | 4 | | 3 | | 2 | | 1 | | 0 | |
| 0 | | 0 | | 1 | | 1 | | 1 | | 1 | | 1 | | 0 | |
| R/W | | R/W | | R/W | | R/W | | R/W | | R/W | | R/W | | R/W | |

LEGEND: R/W = Read/Write; R = Read only; -n = value after reset

表 7-130. SRDS_CFG2 Field Descriptions

| Bit | Field | Type | Reset | Description |
|-------|----------|------|-------|--|
| 15:13 | LOS | R/W | 000 | Enables loss of signal detection. 000 - Disable detection 100 - Enable detection other - reserved |
| 12:11 | ALIGN | R/W | 01 | Enables external or internal symbol alignment 00 : Disabled 01 : Comma alignment 10: Align jog |
| 10:8 | TERM | R/W | 001 | Valid programming: 001 – AC coupling with common mode = 0.7 V 100 – 0 V common mode. 101 – 0.25 V common mode 111 – DC coupling with common mode of 0.6 V. (NOTE: This is not compatible with JESD) |
| 7 | Reserved | R/W | 0 | Reserved |
| 6:5 | RATE | R/W | 00 | Selects full (00), half (01), quarter (10) or eighth (11) rate operation. |
| 4:2 | Reserved | R/W | 010 | Reserved |
| 1 | SLEEPRX | R/W | 0 | Powers the receiver down into the sleep (fast power up) state when high. |
| 0 | Reserved | R/W | 1 | Reserved |

7.5.88 Serdes Polarity Control Register (address = 0x3F) [reset = 0x0000]

図 7-121. Serdes Polarity Control Register (SRDS_POL)

| | | | | | | | |
|-----|-----|-----|-----|-----|-----|-----|-----|
| 15 | 14 | 13 | 12 | 11 | 10 | 9 | 8 |
| 0 | 0 | 0 | 0 | 0 | 0 | 0 | x |
| R/W | R/W | R/W | R/W | R/W | R/W | R/W | R/W |
| 7 | 6 | 5 | 4 | 3 | 2 | 1 | 0 |
| 0 | 0 | 1 | 1 | 1 | 1 | 1 | 1 |
| R/W | R/W | R/W | R/W | R/W | R/W | R/W | R/W |

LEGEND: R/W = Read/Write; R = Read only; -n = value after reset

表 7-131. SRDS_POL Field Descriptions

| Bit | Field | Type | Reset | Description |
|------|----------|------|-------|--|
| 15:8 | Reserved | R/W | 0x00 | Reserved |
| 7:0 | INVPAIR | R/W | 0x00 | Allows the PN pairs of the different lanes to be inverted. bit 7 = lane7 bit 6 = lane6 bit 5 = lane5 bit 4 = lane4 bit 3 = lane3 bit 2 = lane2 bit 1 = lane1 bit 0 = lane0 |

7.5.89 JESD204B SYNCB OUTPUT Register (address = 0x76) [reset = 0x0000]

図 7-122. JESD204B SYNCB OUTPUT Register (SYNCBOUT)

| | | | | | | | |
|-----|-----|-----|-----|-----|-----|-----|-----|
| 15 | 14 | 13 | 12 | 11 | 10 | 9 | 8 |
| 0 | 0 | 0 | 0 | 0 | 0 | 0 | x |
| R/W | R/W | R/W | R/W | R/W | R/W | R/W | R/W |
| 7 | 6 | 5 | 4 | 3 | 2 | 1 | 0 |
| 0 | 0 | 1 | 1 | 1 | 0 | 1 | 1 |
| R/W | R/W | R/W | R/W | R/W | R/W | R/W | R/W |

LEGEND: R/W = Read/Write; R = Read only; -n = value after reset

表 7-132. SYNCBOUT Field Descriptions

| Bit | Field | Type | Reset | Description |
|------|-----------|------|-------|---|
| 15:2 | Reserved | R/W | 0x00 | Reserved |
| 1 | SYNCBOUT1 | R/W | 0 | If the CMOS SYNC outputs are turned on, this bit will show the status of the JESD SYNCB1 signal |
| 0 | SYNCBOUT0 | R/W | 0 | If the CMOS SYNC outputs are turned on, this bit will show the status of the JESD SYNCB0 signal |

8 Application and Implementation

注

以下のアプリケーション情報は、TI の製品仕様に含まれるものではなく、TI ではその正確性または完全性を保証いたしません。個々の目的に対する製品の適合性については、お客様の責任で判断していただくこととなります。お客様は自身の設計実装を検証しテストすることで、システムの機能を確認する必要があります。

8.1 Application Information

8.1.1 Start-up Sequence

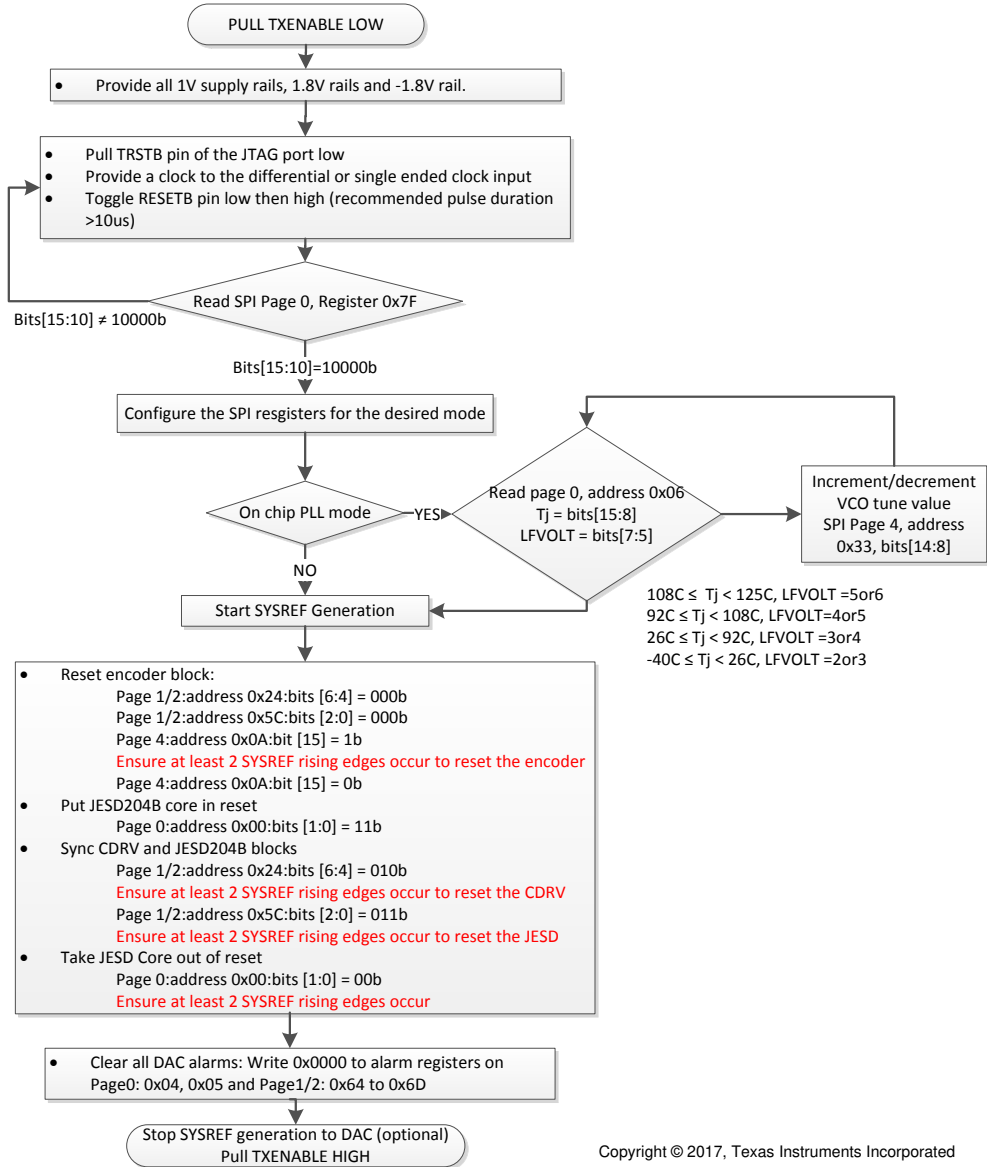
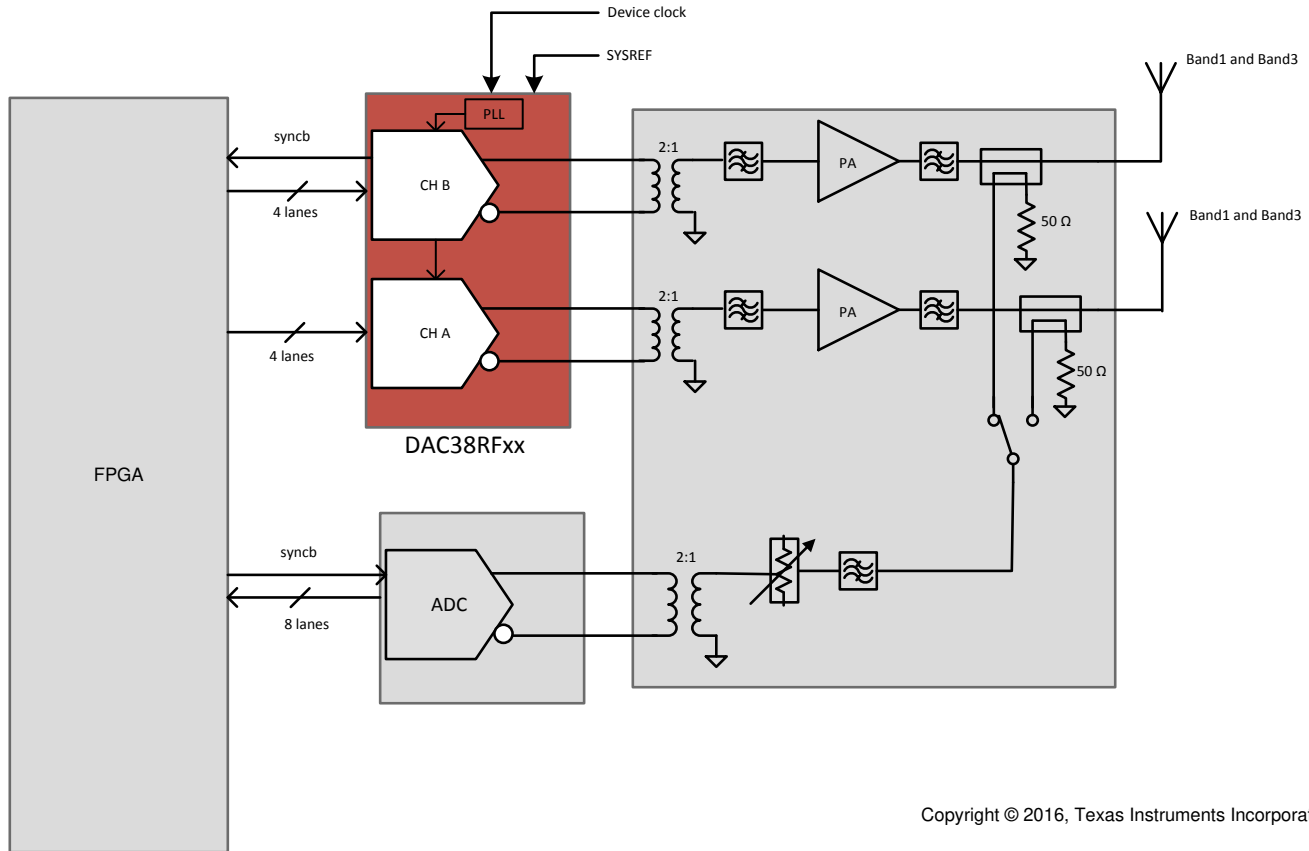


図 8-1. DAC38RF8xx Recommended Startup Sequence

8.2 Typical Application: Multi-band Radio Frequency Transmitter

The DAC38RF8xx device family can be used in RF transmitters designed to support multiple operating bands. The two transmit antennae system shown in 8-2 uses DAC38RF8xx to convert digital baseband signals from an FPGA directly to RF signals in LTE downlink band 1 (2110 MHz - 2170 MHz) and band 3 (1805 MHz - 1880 MHz).



Copyright © 2016, Texas Instruments Incorporated

8-2. Two Antennae Multi-band Radio Frequency Transmitter

8.2.1 Design Requirements

表 8-1. Dual band LTE downlink transmitter

| Parameter | Value |
|----------------------------------|--|
| Operating bands | Band 1 (2110 MHz - 2170 MHz) and Band 3 (1805 MHz to 1880 MHz) |
| Data rate (baseband) | 368.64 MHz |
| Sampling frequency | 8847.36 MHz |
| Interpolation | 24 |
| JESD204B Interface configuration | L-M-F-S-Hd = 8-8-2-1-0 |

8.2.2 Detailed Design Procedure

Two complex data streams of 20MHz LTE data generated in a baseband processor (FPGA/ASIC) is formatted based on 表 7-18 and transmitted to DAC38RF8xx. Inside DAC38RF8xx, the complex input data at a rate of 368.64 MSPS is interpolated 24 times to the final output sampling rate of 8847.36 MSPS. This enables the final RF output to be positioned in the first Nyquist zone for minimal attenuation due to sinc(x) roll off. After

interpolation, the output complex data stream is digitally mixed to the final RF frequencies. The digital mixing eliminates system imperfections such as local oscillator (LO) feed-through and sideband images that are inherent in analog mixers. Detailed block diagram is shown in (Figure 8-3)

To simplify the system clocking, a low frequency clock (or device clock) is provided as a reference to the on-chip PLL (*Internal PLL/VCO*) of DAC38RF8xx. The PLL generates a low phase noise, high frequency sampling clock from the low frequency reference.

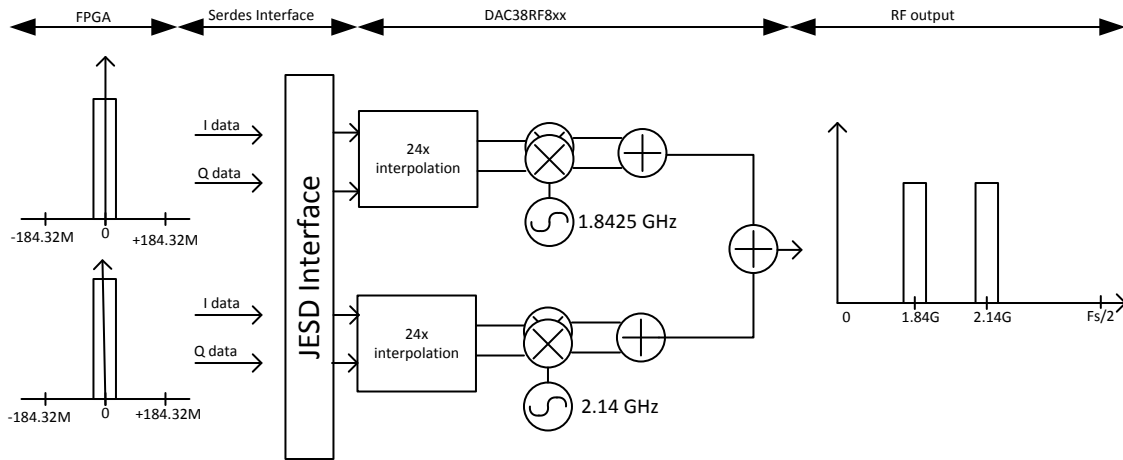


Figure 8-3. Dual Band LTE Downlink Transmitter Block Diagram

8.2.2.1 Calculating the JESD204B SerDes Rate

SerDes rate = 1.25 x (M/L) x Baseband data rate x Number of bits per sample (16)

M is a JESD204B interface parameter that refers to the number of data streams from FPGA to DAC

L is a JESD204B interface parameter that refers to the number of SerDes lanes used to transmit data

1.25 is a factor due to the 8B10B encoding of the baseband data

Example,

if the baseband data rate = 368.64 MSPS and L-M-F-S-Hd = 8-8-2-1-0

$$\text{SerDes rate} = 1.25 \times (8/8) \times 368.64 \times 16 = 7.3728 \text{ Gbps} \quad (19)$$

8.2.2.2 Calculating valid JESD204B SYSREF Frequency

Valid SYSREF frequencies depend on the following parameters:

1. Sample clock frequency
2. JESD204B internal clock divider value (`CLKJESD_DIV`). This depends on the DAC JESD204B L-M-F-S mode and interpolation
3. Number of octets in a frame (F)
4. Number of frames in a multi-frame (K)

Maximum SYSREF frequency = (Sample clock frequency/N),

where N = LCM(CLKJESD_DIV, 4 x K x F). N is the Least common multiple of 4 x K x F and `CLKJESD_DIV`.

All valid SYSREF frequencies are integer divisors of the maximum SYSREF frequency.

Example:

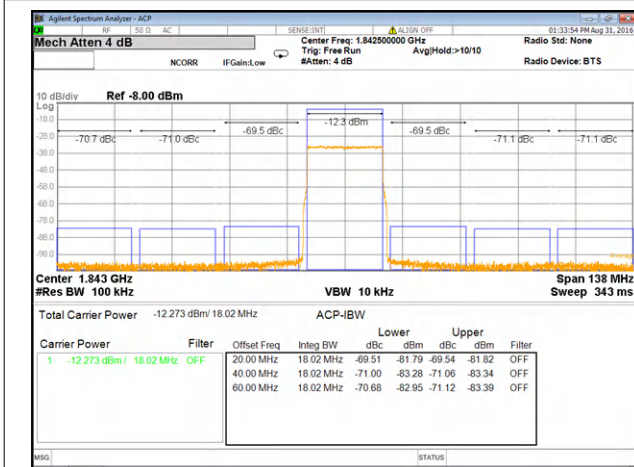
Given sampling clock frequency = 8.84736 GSPS, Interpolation = 24, DAC Mode=L-M-F-S=8-8-2-1 and K=20:

CLKJESD_DIV = 24 (CLKJESD_DIV)

Maximum SYSREF Frequency = 8847.36 MHz/240 = 36.864 MHz

Valid SYSREF Frequencies = 36.864 MHz/n, where n is any positive integer.

8.2.3 Application Curves



8-4. Dual band ACPR Performance in Downlink Band 3 with On-chip PLL



8-5. Dual band ACPR Performance in Downlink Band 1 with On-chip PLL

8.3 Power Supply Recommendations

Internally, DAC38RFxx comprises a digital subsystem, an analog subsystem, and a clock subsystem. Ideally, the power supply scheme should be partitioned according to these three relatively independent blocks to minimize interactions between them. Most importantly, sensitive analog and clock circuit power supply must be separated from digital switching noise to reduce direct coupling and mixing of switching spurs. 表 8-2 shows the power supply rails for DAC38RFxx grouped under their respective domains.

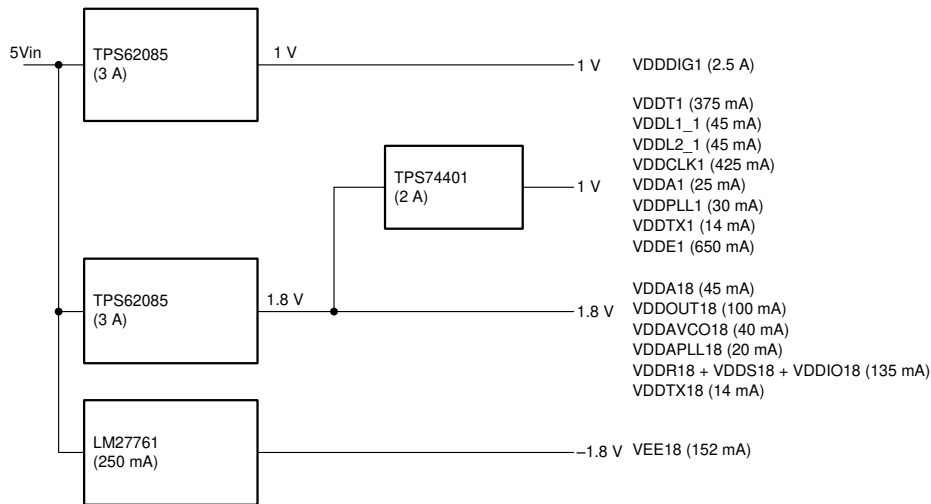
表 8-2. Power Supply Domains

| Supply rail | Nominal voltage (V) | Domain |
|-------------|---------------------|---------|
| VDDIG1 | +1.0 | Digital |
| VDDIO18 | +1.8 | |
| VDDR18 | +1.8 | |
| VDDS18 | +1.8 | |
| VDDT1 | +1.0 | |
| VDDE1 | +1.0 | |
| VDDL1_1 | +1.0 | |
| VEE18N | -1.8 | Analog |
| VDDA1 | +1.0 | |
| VDDA18 | +1.8 | |
| VDDOUT18 | +1.8 | |

表 8-2. Power Supply Domains (続き)

| Supply rail | Nominal voltage (V) | Domain |
|-------------|---------------------|--------|
| VDDPLL1 | +1.0 | Clock |
| VDDAPLL18 | +1.8 | |
| VDDAVCO18 | +1.8 | |
| VDDCLK1 | +1.0 | |
| VDDL2_1 | +1.0 | |
| VDDTX1 | +1.0 | |
| VDDTX18 | +1.8 | |

An example power supply scheme suitable for most applications of DAC38RFxx is shown in 図 8-6. It is recommended to use ferrite beads (FB) to isolate the individual rails from each other.



Copyright © 2017, Texas Instruments Incorporated

図 8-6. Power Supply Scheme for DAC38RFxx

8.3.1 Power Supply Sequencing

There are no power supply sequencing requirements for all the 1-V and 1.8-V power supplies. For the -1.8 V VEE18 rail, it is recommended that this supply is the last to be enabled. Enabling VEE18 (while other supply voltages are disabled) can cause a small negative voltage to be present at the other rails (that is, VDDA1 and VDDDIG1). This small negative voltage can interfere with the startup of some DC-DC converters or LDO's connected to the 1 V and 1.8 V input power rails.

8.4 Layout

8.4.1 Layout Guidelines

- DAC RF output traces
 - DAC38RF80, DAC38RF90, DAC38RF84: Single-ended 50 Ω co-planar wave guide for output traces is recommended.
 - DAC38RF83, DAC38RF93, DAC38RF85: Differential 100 Ω co-planar wave guide for output traces is recommended.
 - Use short RF traces. Place DAC close to edge of PCB to shorten the length of output and clock traces. This helps to minimize PCB loss and coupling
 - Stitch the ground plane with ground vias uniformly along the output trace. An example is shown in 図 8-7
 - Avoid width/spacing differences when entering a landing pad (for example, a balun) by tapering or by redefining width/space rules for the traces

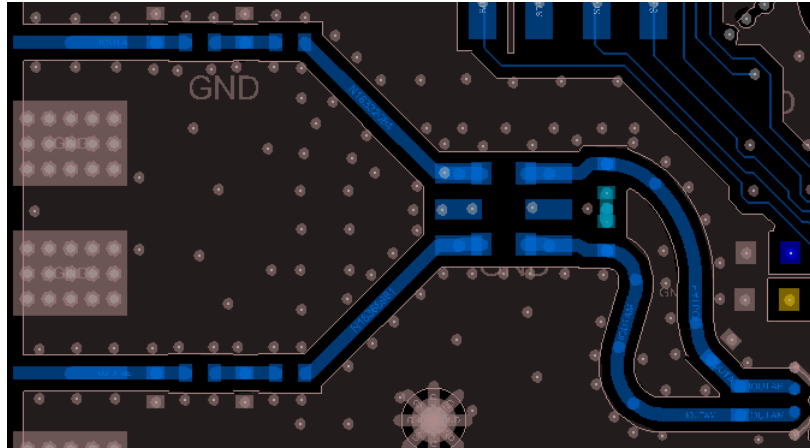


図 8-7. Single-ended, 50-Ω Coplanar Wave Guide RF Output Trace Example

- Power supply planes
 - Make sure sufficient lateral spacing between two power planes (about 3x the thickness of the plane is recommended)
 - Insert ground plane between adjacent power planes where possible

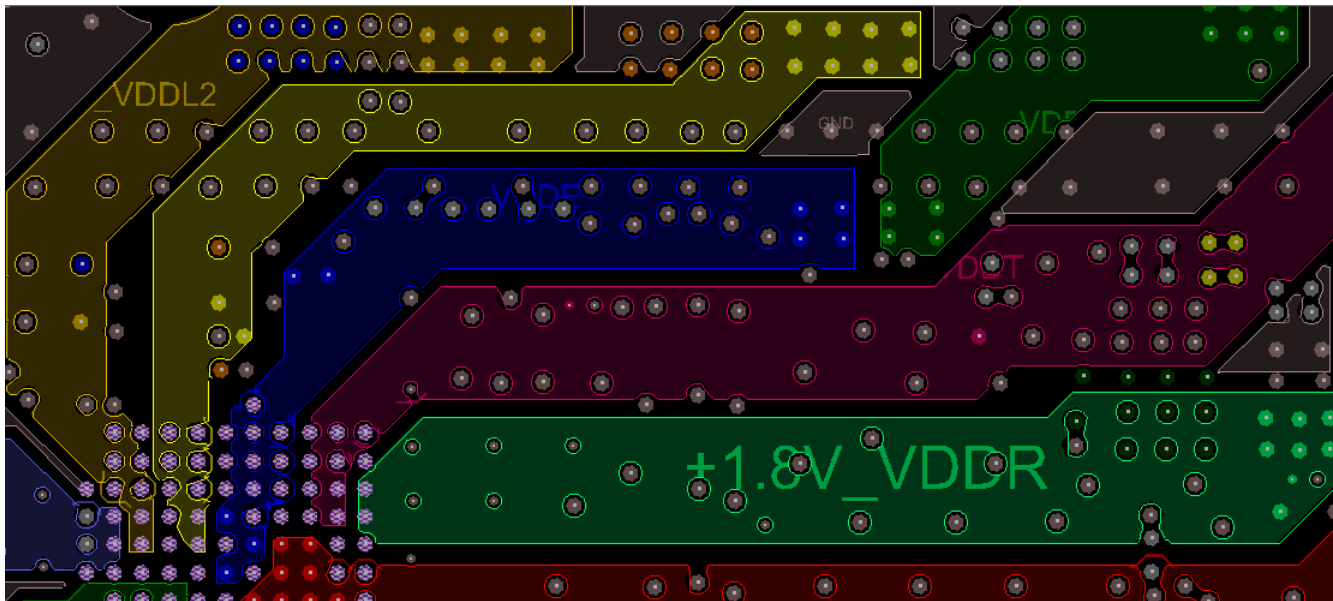


図 8-8. Example Power Plane Routing

- Bypass Capacitors
 - Use bypass capacitors with in-pad vias and place between the pin and the power plane. Avoid sharing ground vias or pads of bypass caps used for different power rails
 - Minimize stubs on bypass capacitors to avoid parasitic inductance

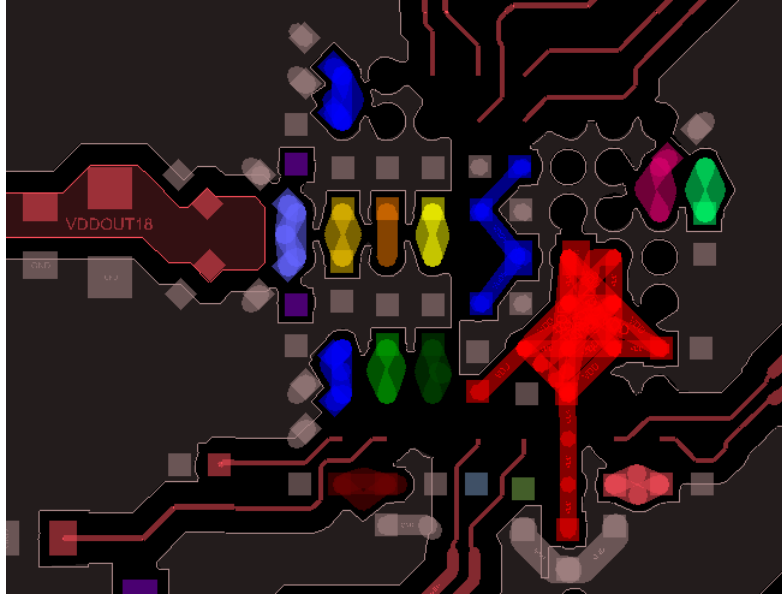


図 8-9. Bypass Capacitors Placed on the Power Supply Pin with In-pad Vias

- High speed SerDes traces
 - Route all SerDes traces straight and minimized sharp curves or serpentines. Route for best signal integrity
 - Some skew between SerDes traces can be tolerated. It is recommended to limit skew between traces to 320ps or less
 - Place ground planes between the SerDes traces for improved isolation

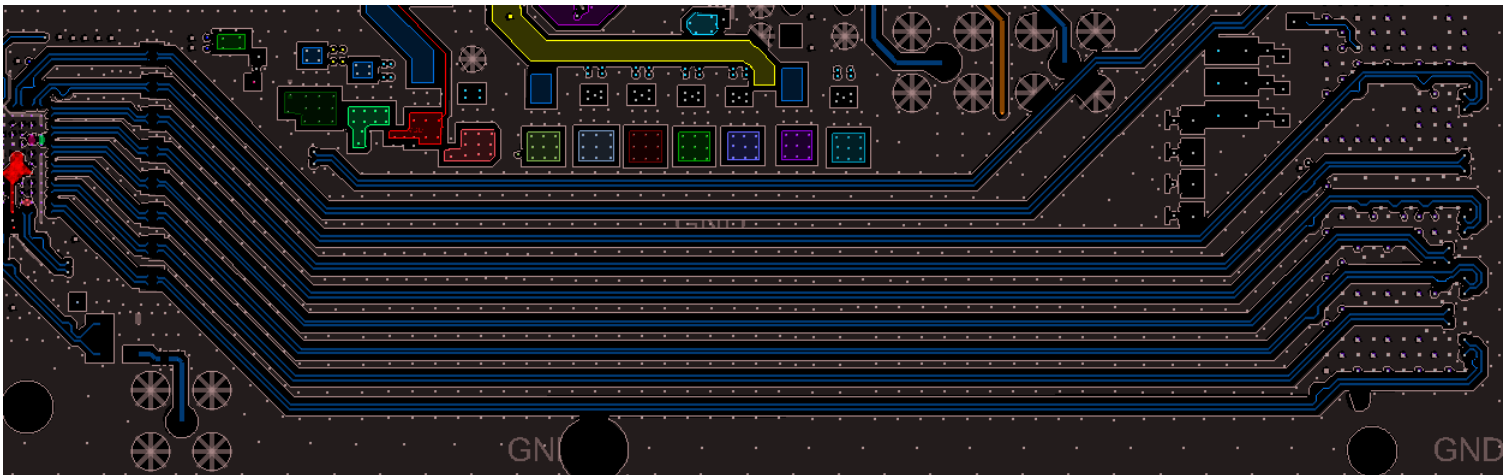


図 8-10. Layout Example of High Speed SerDes Traces

8.4.2 Layout Example

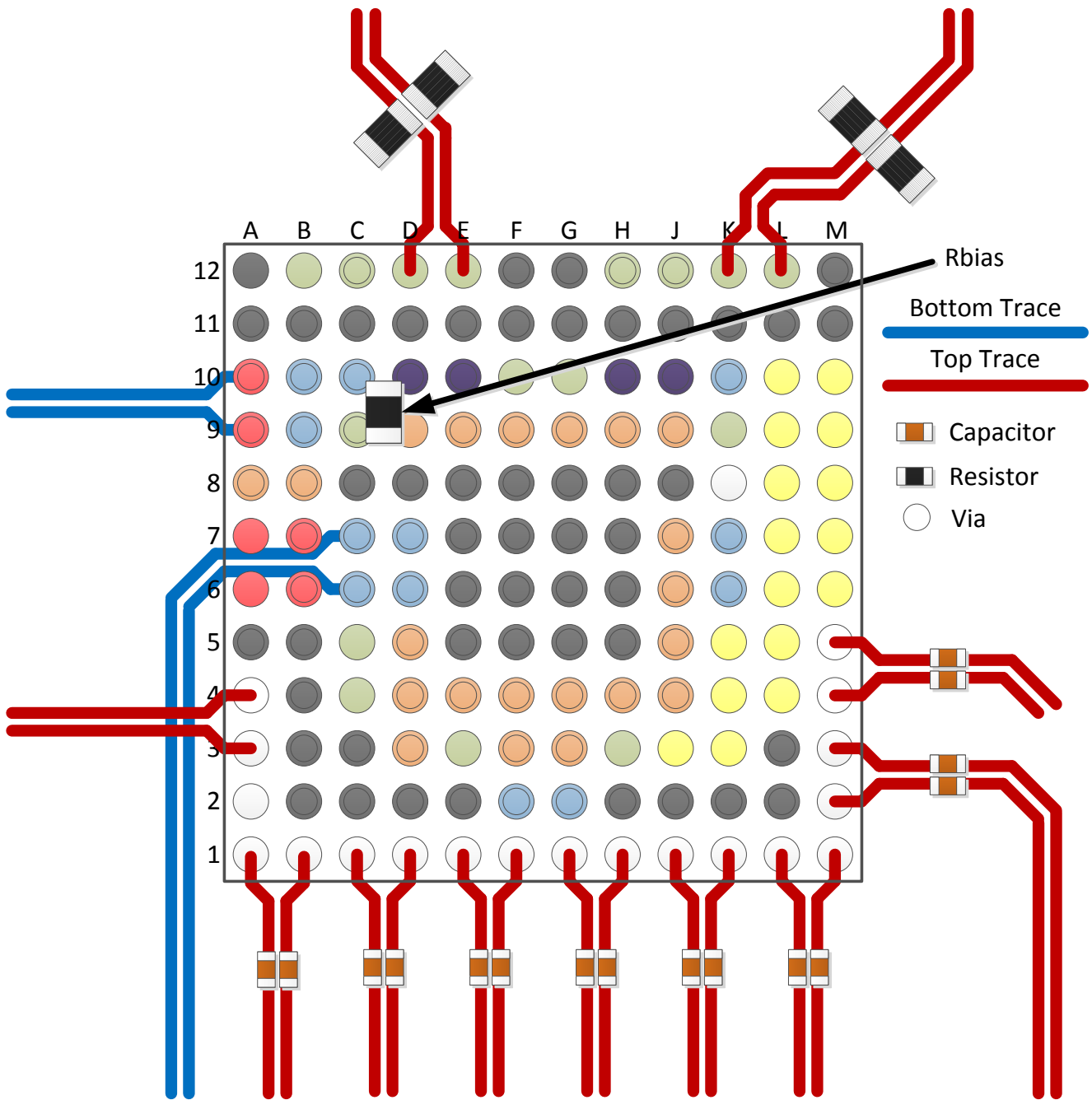


図 8-11. Layout Example of DAC38RFxx

9 Device and Documentation Support

9.1 ドキュメントの更新通知を受け取る方法

ドキュメントの更新についての通知を受け取るには、www.tij.co.jp のデバイス製品フォルダを開いてください。[通知] をクリックして登録すると、変更されたすべての製品情報に関するダイジェストを毎週受け取ることができます。変更の詳細については、改訂されたドキュメントに含まれている改訂履歴をご覧ください。

9.2 サポート・リソース

テキサス・インスツルメンツ E2E™ サポート・フォーラムは、エンジニアが検証済みの回答と設計に関するヒントをエキスパートから迅速かつ直接得ることができる場所です。既存の回答を検索したり、独自の質問をしたりすることで、設計に必要な支援を迅速に得ることができます。

リンクされているコンテンツは、各寄稿者により「現状のまま」提供されるものです。これらはテキサス・インスツルメンツの仕様を構成するものではなく、必ずしもテキサス・インスツルメンツの見解を反映したものではありません。テキサス・インスツルメンツの[使用条件](#)を参照してください。

9.3 Trademarks

テキサス・インスツルメンツ E2E™ is a trademark of Texas Instruments.
すべての商標は、それぞれの所有者に帰属します。

9.4 静電気放電に関する注意事項



この IC は、ESD によって破損する可能性があります。テキサス・インスツルメンツは、IC を取り扱う際には常に適切な注意を払うことを推奨します。正しい取り扱いおよび設置手順に従わない場合、デバイスを破損するおそれがあります。

ESD による破損は、わずかな性能低下からデバイスの完全な故障まで多岐にわたります。精密な IC の場合、パラメータがわずかに変化するだけで公表されている仕様から外れる可能性があるため、破損が発生しやすくなっています。

9.5 用語集

[テキサス・インスツルメンツ用語集](#) この用語集には、用語や略語の一覧および定義が記載されています。

10 Revision History

資料番号末尾の英字は改訂を表しています。その改訂履歴は英語版に準じています。

| Changes from Revision C (July 2017) to Revision D (December 2023) | Page |
|---|------|
| ドキュメント全体にわたって表、図、相互参照の採番方法を更新..... | 1 |
| Changed Analog Output: t_r , and t_f unit value from = ns to ps in the <i>Timing Requirements</i> | 22 |
| Changed 表 7-4 | 38 |
| Added 6x and 8x interpolation support to DAC38RF84 in <i>JESD204B Formats for DAC38RFxx</i> table..... | 42 |
| Changed JESD204B frame format for LMFShd=84111 in 表 7-12 | 42 |
| Deleted section <i>JESD204B Subclass 0 support</i> | 48 |
| Added 表 7-38 | 67 |
| Added description of OUTSUM rounding to セクション 7.3.16.7 | 67 |
| Added section <i>Writing to Reserved Bits</i> | 79 |
| Changed 0x04 and 0x05 from: 0x0000 to: variable in 表 7-43 | 79 |
| Added Note 1 to 表 7-43 | 79 |
| Changed 0x7F from: 0x0008 to: 0x0009 in 表 7-43 | 79 |
| Changed 0x0D from: 0x8300 to: 0x8000 in 表 7-43 | 79 |
| Changed 0x0F from: 0x1F83 to: 0xFFFF in 表 7-43 | 79 |
| Changed 0x32 and 0x33 from: 0x0800 to: 0x0400 in 表 7-43 | 79 |
| Changed 0x23 from: 0x03F3 to: 0xFFFF in 表 7-43 | 79 |
| Changed 0x3B from: 0x0002 to: 0x1802 in 表 7-43 | 79 |
| Changed from: [reset = 0x0000] to: [reset = variable] in セクション 7.5.5 | 85 |
| Changed from: [reset = 0x0000] to: [reset = variable] in セクション 7.5.5 | 86 |

| | |
|--|-----|
| • Changed from: [reset = 0x0008] to: [reset = 0x0009] in セクション 7.5.12 | 89 |
| • Changed from: [reset = 0x1300] to: [reset = 0x8000] in セクション 7.5.15 | 92 |
| • Changed from: [reset = 0x0000] to: [reset = 0x0400] in セクション 7.5.39 | 106 |
| • Changed from: [reset = 0x0000] to: [reset = 0x0400] in セクション 7.5.40 | 106 |
| • Changed all bits From R To R/W in 図 7-75 | 107 |
| • Changed all bits From R To R/W in 図 7-76 | 108 |
| • Changed the Description of Bit 3:1 in 表 7-87 | 108 |
| • Changed Bit 1 from: MIN_LATENCY_ENA to: Reserved in 表 7-93 | 112 |
| • Changed the title of 図 7-91 to: JESD Crossbar Configuration 2 Register (JESD_CROSSBAR2)..... | 117 |
| • Changed the title of 図 7-92 to: JESD Alarms for Lane 0 Register (JESD_ALM_L2)..... | 118 |
| • Changed the title of 図 7-92 to: JESD Alarms for Lane 5 Register (JESD_ALM_L5)..... | 123 |
| • Changed from: [reset = 0xF000] to: [reset = 0xFC03] in セクション 7.5.69 | 128 |
| • Changed from: [reset = 0x8000] to: [reset = 0x2002] in セクション 7.5.71 | 130 |
| • Added Note 1 to 表 7-116 | 131 |
| • Changed the description of Bit 1 from: TBD to: Enables SPI SYSREF for Internal SYSREF Generator in 表 7-116 | 131 |
| • Added Note 1 to 表 7-117 | 131 |
| • Added Note 1 to 表 7-118 | 133 |
| • Changed from: [reset = 0x0002] to: [reset = 0x1802] in セクション 7.5.84 | 140 |
| • Changed the reset value of Bit 14:11 from: 0x0 to: 0111 in 表 7-127 | 140 |
| • Changed Bit 4:2 from: BUSWIDTH to: Reserved in 表 7-130 | 142 |
| • Moved the <i>Power Supply Recommendations</i> and <i>Layout</i> sections to the <i>Application and Implementation</i> section..... | 147 |

Changes from Revision B (April 2017) to Revision C (July 2017)

| | Page |
|--|-------------|
| • 「概要」を変更..... | 1 |
| • 「製品情報」表を変更..... | 1 |
| • Changed from: alarm_out_pol to: alm_out_pol in ALARM pin description in the <i>Pin Functions - DAC38RF83, DAC38RF93, DAC38RF85</i> table..... | 4 |
| • Changed the Description of pins A3, A4, A7, A6, A9, A10, A12, E12, F11, F7, G6, H5, H7, J6, J11 in the <i>Pin Functions - DAC38RF83, DAC38RF93, DAC38RF85</i> table..... | 4 |
| • Changed the description of TXENABLE pin in <i>Pin Functions - DAC38RF83, DAC38RF93, DAC38RF85</i> table..... | 4 |
| • Changed from: alarm_out_pol to: alm_out_pol in ALARM pin description in the <i>Pin Functions - DAC38RF80, DAC38RF90, DAC38RF84</i> table..... | 4 |
| • Changed the Description of pins A3, A4, A7, A6, A9, A10, A12, D8, E8, F11, F7, G6, H5, H7, J6, J11 in the <i>Pin Functions - DAC38RF80, DAC38RF90, DAC38RF84</i> table..... | 4 |
| • Added description to TXENABLE pin in the <i>Pin Functions - DAC38RF80, DAC38RF90, DAC38RF84</i> table... | 4 |
| • Changed the MAX value of VEE18N rail in <i>Absolute Maximum Ratings</i> from: 0.5 V to: 0.3 V..... | 10 |
| • Added "Supply Voltage Range" to the <i>Recommended Operating Conditions</i> table..... | 10 |
| • Changed DNL typical value from: ± 0.5 to: ± 3 LSB in the <i>Electrical Characteristics - DC Specifications</i> | 12 |
| • Changed INL typical value from: ± 1 to: ± 4 LSB in the <i>Electrical Characteristics - DC Specifications</i> | 12 |
| • Added "Reference voltage drift" to the <i>Electrical Characteristics - DC Specifications</i> table..... | 12 |
| • Changed the Isolation between DAC A and DAC B TEST CONDITIONS. Set the $f_{OUT} = 1856$ TYP values from: 74 to: 82 and from: 55 to: 60 , and the $f_{OUT} = 3105$ MHz values from: 74 to: 73 in the <i>Electrical Characteristics - AC Specifications</i> table..... | 18 |
| • Added Isolation vs Output Frequency plot for DAC38RF83/93/95 in the <i>Typical Characteristics</i> section..... | 23 |
| • Added Isolation vs Output Frequency plot for DAC38RF80/90/84 in the <i>Typical Characteristics</i> section..... | 23 |
| • Added MPY value for 16.5x to 表 7-4 | 38 |
| • Changed x to: $\sqrt{\quad}$ in the <i>JESD204B Formats for DAC38RFxx</i> table..... | 42 |
| • Changed JESD204B frame format for LMFShd=84111 in 表 7-12 | 42 |

- Changed JESD204B frame format for LMFSHd=44210 in [表 7-14](#) 42
- Changed JESD204B frame format for LMFSHd=24410 in [表 7-16](#) 42
- Changed JESD204B frame format for LMFSHd=44210 in [表 7-17](#) 42
- Changed JESD204B frame format for LMFSHd=88210 in [表 7-18](#) 42
- Changed JESD204B frame format for LMFSHd=24410 in [表 7-19](#) 42
- Changed JESD204B frame format for LMFSHd=48410 in [表 7-20](#) 42
- Changed JESD204B frame format for LMFSHd=24310 in [表 7-21](#) 42
- Changed JESD204B frame format for LMFSHd=48310 in [表 7-22](#) 42
- Changed [表 7-33](#) 59
- Changed register field programming values for LMFSHd=24410 and 24310 in [表 7-36](#) 63
- Changed the bit positions of N_M1 register field from: 12-8 to: 4-0 in [表 7-37](#) 63
- Changed the bit positions of N_M1' N_M1' (NPRIME_M1) register field from: 4-0 to: 12-8 in [表 7-37](#) 63
- Deleted ISFIRCD_ENA and ISFIR_AB register fields and added ISFIR_ENA register field to the *Inverse Sinc Filter* section..... 66
- Changed the description of DAC PLL alarm in *Alarm Monitoring* 69
- Added cross reference to MPY values in [表 7-128](#) 140
- Changed the enable/disable description for bit [15:13] of [表 7-130](#) 142
- Changed the junction temp and loop filter voltage range for PLL tuning in [図 8-1](#) 144

| Changes from Revision A (February 2017) to Revision B (July 2017) | Page |
|--|-------------|
| • Added VDDE1 rail to Supply Voltage Range in the <i>Absolute Maximum Ratings</i> table..... | 10 |
| • Changed subtitle from: LVDS OUTPUT: SYNC1+/-, SYNC2+/- to: LVDS OUTPUT: SYNC0+/-, SYNC1+/- in the <i>Electrical Characteristics - Digital Specifications</i> table | 15 |
| • Added "0 dBFS" amplitude of input digital data in test conditions in the <i>Electrical Characteristics - AC Specifications</i> table..... | 18 |
| • Changed the NSD values for -9 dBFS in <i>Electrical Characteristics - AC Specifications</i> table..... | 18 |
| • Added the <i>PLL/VCO Electrical Characteristics</i> table..... | 21 |
| • Changed from: VCO frequency = 5898.24 MHz to: VCO frequency = 5.9 GHz in 図 6-43 and 図 6-44 | 23 |
| • Changed from: measured at 1 GHz to: measured at 1.8 GHz in 図 6-41 and 図 6-43 | 23 |
| • Added JESD204B clock phase register setting to 表 7-37 | 63 |
| • Added JESD204B clock phase register setting to 表 7-36 | 63 |
| • Removed descriptions for CLKJESD_DIV register from 表 7-36 | 63 |
| • Added information about the DAC output total current for various full scale current settings in <i>DAC Fullscale Output Current</i> | 72 |
| • Changed the text in the second sentence of the <i>DAC Transfer Function for DAC38RF80/90/84</i> section | 75 |
| • Changed from BIST_ENA to Reserved in 表 7-57 | 91 |
| • Changed from BIST_ZERO to Reserved in 表 7-57 | 91 |
| • Changed the description of OUTSUM_SEL field in 表 7-65 | 97 |
| • Changed Bit 11 description from "dummy data generation" to "distortion enhancement" in 表 7-112 | 128 |
| • Updated the startup sequence in 図 8-1 | 144 |

| Changes from Revision * (December 2016) to Revision A (February 2017) | Page |
|--|------|
| • 「特長」スペクトル性能 (オンチップ PLL、DIFF)..... | 1 |
| • 「概要」のテキストをチャンネルごとに 1.23GSPS の複合体からチャンネルごとに 1.25GSPS の複合体に変更 | 1 |
| • Changed the <i>Pin Configuration</i> image | 4 |
| • Changed the <i>Pin Functions</i> table..... | 4 |
| • Changed the Description of SYSREF+ from: "LVPECL SYSREF positive input." to: "LVPECL SYSREF positive input, self biased." in the <i>Pin Functions - DAC38RF83, DAC38RF93, DAC38RF85</i> table..... | 4 |
| • Changed the <i>Pin Configuration</i> image | 4 |
| • Changed the <i>Pin Functions</i> table..... | 4 |
| • Added "Transformer (TCM2-452X-2+) loss not de-embedded 2.1 GHz output frequency" to the Full scale output power Test Conditions in <i>Electrical Characteristics - DC Specifications</i> | 12 |
| • Changed Reference output current from: 100 mA to: 100 nA in the <i>Electrical Characteristics - DC Specifications</i> | 12 |
| • Changed the POWER SUPPLY CURRENT AND CONSUMPTION section of the <i>Electrical Characteristics - DC specifications</i> table..... | 12 |
| • Updated the typical values for power consumption for all modes in <i>Electrical Characteristics - DC Specifications</i> table..... | 12 |
| • Specified the test conditions for <i>Electrical Characteristics - DC Specifications</i> table..... | 12 |
| • Added max current and power consumption for operating Mode 1 and Mode 11 <i>Electrical Characteristics - DC Specifications</i> table..... | 12 |
| • Changed $V_{I(DPP)}$ from: MIN = 100 V TYP = 800 V to: TYP = 800 mV MAX = 2000 mV in <i>Electrical Characteristics - Digital Specifications</i> table..... | 15 |
| • Changed the typical values throughout the <i>Electrical Characteristics - AC Specifications</i> table..... | 18 |
| • Changed the NSD Test Conditions in the <i>Electrical Characteristics - AC Specifications</i> table..... | 18 |
| • Changed the AC PERFORMANCE – Modulated Signals section Test Conditions in the <i>Electrical Characteristics - AC Specifications</i> table..... | 18 |
| • Changed from: LMFSHd = 841 to: LMFSHd = 84111 in the <i>Typical Characteristics</i> conditions statement..... | 23 |
| • Updated graphs in the <i>Typical Characteristics</i> section..... | 23 |
| • Added: Transformer loss is not de-embedded in 図 6-37 | 23 |
| • Added: VCO frequency to 図 6-41 through 図 6-44 | 23 |
| • Changed text from: 1.25 GSPS complex per channel to: 1.23 GSPS complex per channel in the <i>Description</i> .. | 31 |
| • Replaced the <i>Functional Block Diagrams</i> , 図 7-1 through 図 7-6 | 31 |
| • Updated the max input rate in 表 7-9 | 42 |
| • Updated value of pull up and pull down resistors in 図 7-26 under セクション 7.3.25 | 72 |
| • Changed from: 2 x (DACFS -11) to: 2 mA x (DACFS - 11) in 式 10 | 72 |
| • Changed text from: "(PFD) and charge pump (CP) is required." to: "(PFD) is approximately 550 MHz." in the <i>Internal PLL/VCO</i> section..... | 75 |
| • Changed Bit 0 of 表 7-124 from: Enables the GSM PLL to: Reserved..... | 137 |
| • Changed 表 7-126 | 139 |
| • Changed description of SERDES_REFCLK_DIV register field in 表 7-127 | 140 |
| • Changed Bit 12:11, 6:5 and 4:2 of 表 7-130 | 142 |
| • Updated the startup sequence in 図 8-1 | 144 |
| • Replaced 図 8-6 | 147 |

11 Mechanical, Packaging, and Orderable Information

The following pages include mechanical, packaging, and orderable information. This information is the most current data available for the designated devices. This data is subject to change without notice and revision of this document. For browser-based versions of this data sheet, refer to the left-hand navigation.

PACKAGING INFORMATION

| Orderable part number | Status (1) | Material type (2) | Package Pins | Package qty Carrier | RoHS (3) | Lead finish/ Ball material (4) | MSL rating/ Peak reflow (5) | Op temp (°C) | Part marking (6) |
|--------------------------------|---------------|----------------------|-------------------|-------------------------|-------------|--------------------------------------|-----------------------------------|--------------|---------------------|
| DAC38RF80IAAV | Active | Production | FCCSP (AAV) 144 | 168 JEDEC TRAY (5+1) | Yes | SNAGCU | Level-3-260C-168 HR | -40 to 85 | DAC38RF80I |
| DAC38RF80IAAV.B | Active | Production | FCCSP (AAV) 144 | 168 JEDEC TRAY (5+1) | Yes | SNAGCU | Level-3-260C-168 HR | -40 to 85 | DAC38RF80I |
| DAC38RF80IAAVR | Active | Production | FCCSP (AAV) 144 | 1000 LARGE T&R | Yes | SNAGCU | Level-3-260C-168 HR | -40 to 85 | DAC38RF80I |
| DAC38RF80IAAVR.B | Active | Production | FCCSP (AAV) 144 | 1000 LARGE T&R | Yes | SNAGCU | Level-3-260C-168 HR | -40 to 85 | DAC38RF80I |
| DAC38RF83IAAV | Active | Production | FCCSP (AAV) 144 | 168 JEDEC TRAY (5+1) | Yes | SNAGCU | Level-3-260C-168 HR | -40 to 85 | DAC38RF83I |
| DAC38RF83IAAV.B | Active | Production | FCCSP (AAV) 144 | 168 JEDEC TRAY (5+1) | Yes | SNAGCU | Level-3-260C-168 HR | -40 to 85 | DAC38RF83I |
| DAC38RF83IAAVR | Active | Production | FCCSP (AAV) 144 | 1000 LARGE T&R | Yes | SNAGCU | Level-3-260C-168 HR | -40 to 85 | DAC38RF83I |
| DAC38RF83IAAVR.B | Active | Production | FCCSP (AAV) 144 | 1000 LARGE T&R | Yes | SNAGCU | Level-3-260C-168 HR | -40 to 85 | DAC38RF83I |
| DAC38RF84IAAV | Active | Production | FCCSP (AAV) 144 | 168 JEDEC TRAY (5+1) | Yes | SNAGCU | Level-3-260C-168 HR | -40 to 85 | DAC38RF84I |
| DAC38RF84IAAV.B | Active | Production | FCCSP (AAV) 144 | 168 JEDEC TRAY (5+1) | Yes | SNAGCU | Level-3-260C-168 HR | -40 to 85 | DAC38RF84I |
| DAC38RF84IAAVR | Active | Production | FCCSP (AAV) 144 | 1000 LARGE T&R | Yes | SNAGCU | Level-3-260C-168 HR | -40 to 85 | DAC38RF84I |
| DAC38RF84IAAVR.B | Active | Production | FCCSP (AAV) 144 | 1000 LARGE T&R | Yes | SNAGCU | Level-3-260C-168 HR | -40 to 85 | DAC38RF84I |
| DAC38RF85IAAV | Active | Production | FCCSP (AAV) 144 | 168 JEDEC TRAY (10+1) | Yes | SNAGCU | Level-3-260C-168 HR | -40 to 85 | DAC38RF85I |
| DAC38RF85IAAV.B | Active | Production | FCCSP (AAV) 144 | 168 JEDEC TRAY (10+1) | Yes | SNAGCU | Level-3-260C-168 HR | -40 to 85 | DAC38RF85I |
| DAC38RF85IAAVR | Active | Production | FCCSP (AAV) 144 | 1000 LARGE T&R | Yes | SNAGCU | Level-3-260C-168 HR | -40 to 85 | DAC38RF85I |
| DAC38RF85IAAVR.B | Active | Production | FCCSP (AAV) 144 | 1000 LARGE T&R | Yes | SNAGCU | Level-3-260C-168 HR | -40 to 85 | DAC38RF85I |
| DAC38RF90IAAV | Active | Production | FCCSP (AAV) 144 | 168 JEDEC TRAY (5+1) | Yes | SNAGCU | Level-3-260C-168 HR | -40 to 85 | DAC38RF90I |
| DAC38RF90IAAV.B | Active | Production | FCCSP (AAV) 144 | 168 JEDEC TRAY (5+1) | Yes | SNAGCU | Level-3-260C-168 HR | -40 to 85 | DAC38RF90I |
| DAC38RF90IAAVR | Active | Production | FCCSP (AAV) 144 | 1000 LARGE T&R | Yes | SNAGCU | Level-3-260C-168 HR | -40 to 85 | DAC38RF90I |
| DAC38RF90IAAVR.B | Active | Production | FCCSP (AAV) 144 | 1000 LARGE T&R | Yes | SNAGCU | Level-3-260C-168 HR | -40 to 85 | DAC38RF90I |
| DAC38RF93IAAV | Active | Production | FCCSP (AAV) 144 | 168 JEDEC TRAY (5+1) | Yes | SNAGCU | Level-3-260C-168 HR | -40 to 85 | DAC38RF93I |

| Orderable part number | Status (1) | Material type (2) | Package Pins | Package qty Carrier | RoHS (3) | Lead finish/ Ball material (4) | MSL rating/ Peak reflow (5) | Op temp (°C) | Part marking (6) |
|--------------------------------|---------------|----------------------|-------------------|------------------------|-------------|--------------------------------------|-----------------------------------|--------------|---------------------|
| DAC38RF93IAAV.B | Active | Production | FCCSP (AAV) 144 | 168 JEDEC TRAY (5+1) | Yes | SNAGCU | Level-3-260C-168 HR | -40 to 85 | DAC38RF93I |
| DAC38RF93IAAVR | Active | Production | FCCSP (AAV) 144 | 1000 LARGE T&R | Yes | SNAGCU | Level-3-260C-168 HR | -40 to 85 | DAC38RF93I |
| DAC38RF93IAAVR.B | Active | Production | FCCSP (AAV) 144 | 1000 LARGE T&R | Yes | SNAGCU | Level-3-260C-168 HR | -40 to 85 | DAC38RF93I |

⁽¹⁾ **Status:** For more details on status, see our [product life cycle](#).

⁽²⁾ **Material type:** When designated, preproduction parts are prototypes/experimental devices, and are not yet approved or released for full production. Testing and final process, including without limitation quality assurance, reliability performance testing, and/or process qualification, may not yet be complete, and this item is subject to further changes or possible discontinuation. If available for ordering, purchases will be subject to an additional waiver at checkout, and are intended for early internal evaluation purposes only. These items are sold without warranties of any kind.

⁽³⁾ **RoHS values:** Yes, No, RoHS Exempt. See the [TI RoHS Statement](#) for additional information and value definition.

⁽⁴⁾ **Lead finish/Ball material:** Parts may have multiple material finish options. Finish options are separated by a vertical ruled line. Lead finish/Ball material values may wrap to two lines if the finish value exceeds the maximum column width.

⁽⁵⁾ **MSL rating/Peak reflow:** The moisture sensitivity level ratings and peak solder (reflow) temperatures. In the event that a part has multiple moisture sensitivity ratings, only the lowest level per JEDEC standards is shown. Refer to the shipping label for the actual reflow temperature that will be used to mount the part to the printed circuit board.

⁽⁶⁾ **Part marking:** There may be an additional marking, which relates to the logo, the lot trace code information, or the environmental category of the part.

Multiple part markings will be inside parentheses. Only one part marking contained in parentheses and separated by a "~" will appear on a part. If a line is indented then it is a continuation of the previous line and the two combined represent the entire part marking for that device.

Important Information and Disclaimer: The information provided on this page represents TI's knowledge and belief as of the date that it is provided. TI bases its knowledge and belief on information provided by third parties, and makes no representation or warranty as to the accuracy of such information. Efforts are underway to better integrate information from third parties. TI has taken and continues to take reasonable steps to provide representative and accurate information but may not have conducted destructive testing or chemical analysis on incoming materials and chemicals. TI and TI suppliers consider certain information to be proprietary, and thus CAS numbers and other limited information may not be available for release.

In no event shall TI's liability arising out of such information exceed the total purchase price of the TI part(s) at issue in this document sold by TI to Customer on an annual basis.

TAPE AND REEL INFORMATION

QUADRANT ASSIGNMENTS FOR PIN 1 ORIENTATION IN TAPE


*All dimensions are nominal

| Device | Package Type | Package Drawing | Pins | SPQ | Reel Diameter (mm) | Reel Width W1 (mm) | A0 (mm) | B0 (mm) | K0 (mm) | P1 (mm) | W (mm) | Pin1 Quadrant |
|----------------|--------------|-----------------|------|------|--------------------|--------------------|---------|---------|---------|---------|--------|---------------|
| DAC38RF80IAAVR | FCCSP | AAV | 144 | 1000 | 330.0 | 24.4 | 10.3 | 10.3 | 2.5 | 16.0 | 24.0 | Q1 |
| DAC38RF83IAAVR | FCCSP | AAV | 144 | 1000 | 330.0 | 24.4 | 10.3 | 10.3 | 2.5 | 16.0 | 24.0 | Q1 |
| DAC38RF84IAAVR | FCCSP | AAV | 144 | 1000 | 330.0 | 24.4 | 10.3 | 10.3 | 2.5 | 16.0 | 24.0 | Q1 |
| DAC38RF85IAAVR | FCCSP | AAV | 144 | 1000 | 330.0 | 24.4 | 10.3 | 10.3 | 2.5 | 16.0 | 24.0 | Q1 |
| DAC38RF90IAAVR | FCCSP | AAV | 144 | 1000 | 330.0 | 24.4 | 10.3 | 10.3 | 2.5 | 16.0 | 24.0 | Q1 |
| DAC38RF93IAAVR | FCCSP | AAV | 144 | 1000 | 330.0 | 24.4 | 10.3 | 10.3 | 2.5 | 16.0 | 24.0 | Q1 |

TAPE AND REEL BOX DIMENSIONS


*All dimensions are nominal

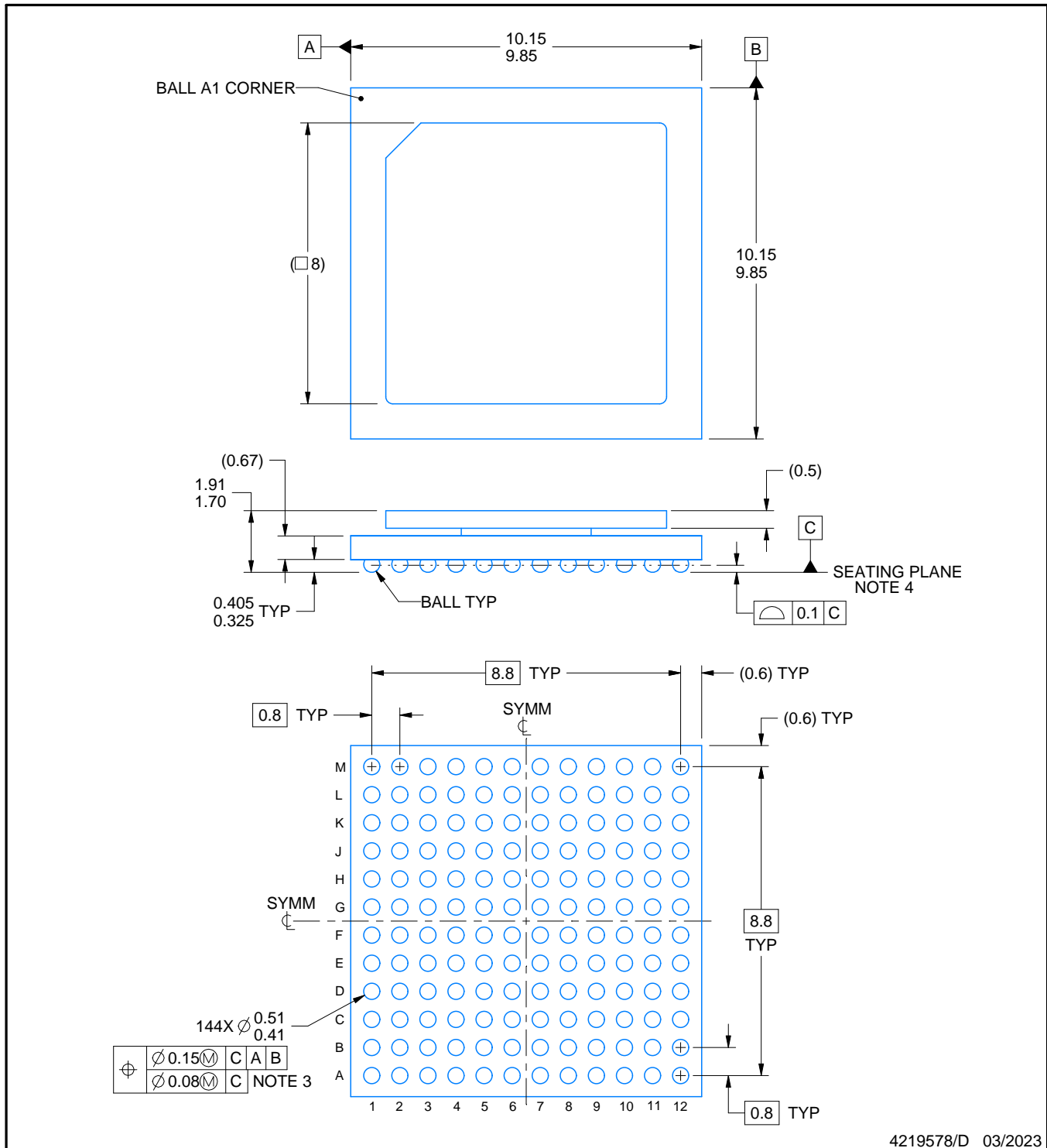
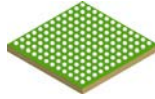
| Device | Package Type | Package Drawing | Pins | SPQ | Length (mm) | Width (mm) | Height (mm) |
|----------------|--------------|-----------------|------|------|-------------|------------|-------------|
| DAC38RF80IAAVR | FCCSP | AAV | 144 | 1000 | 350.0 | 350.0 | 43.0 |
| DAC38RF83IAAVR | FCCSP | AAV | 144 | 1000 | 350.0 | 350.0 | 43.0 |
| DAC38RF84IAAVR | FCCSP | AAV | 144 | 1000 | 350.0 | 350.0 | 43.0 |
| DAC38RF85IAAVR | FCCSP | AAV | 144 | 1000 | 350.0 | 350.0 | 43.0 |
| DAC38RF90IAAVR | FCCSP | AAV | 144 | 1000 | 350.0 | 350.0 | 43.0 |
| DAC38RF93IAAVR | FCCSP | AAV | 144 | 1000 | 350.0 | 350.0 | 43.0 |

TRAY


Chamfer on Tray corner indicates Pin 1 orientation of packed units.

*All dimensions are nominal

| Device | Package Name | Package Type | Pins | SPQ | Unit array matrix | Max temperature (°C) | L (mm) | W (mm) | K0 (µm) | P1 (mm) | CL (mm) | CW (mm) |
|-----------------|--------------|--------------|------|-----|-------------------|----------------------|--------|--------|---------|---------|---------|---------|
| DAC38RF80IAAV | AAV | FCCSP | 144 | 168 | 8 X 21 | 150 | 315 | 135.9 | 7620 | 14.65 | 11 | 11.95 |
| DAC38RF80IAAV.B | AAV | FCCSP | 144 | 168 | 8 X 21 | 150 | 315 | 135.9 | 7620 | 14.65 | 11 | 11.95 |
| DAC38RF83IAAV | AAV | FCCSP | 144 | 168 | 8 X 21 | 150 | 315 | 135.9 | 7620 | 14.65 | 11 | 11.95 |
| DAC38RF83IAAV.B | AAV | FCCSP | 144 | 168 | 8 X 21 | 150 | 315 | 135.9 | 7620 | 14.65 | 11 | 11.95 |
| DAC38RF84IAAV | AAV | FCCSP | 144 | 168 | 8 X 21 | 150 | 315 | 135.9 | 7620 | 14.65 | 11 | 11.95 |
| DAC38RF84IAAV.B | AAV | FCCSP | 144 | 168 | 8 X 21 | 150 | 315 | 135.9 | 7620 | 14.65 | 11 | 11.95 |
| DAC38RF85IAAV | AAV | FCCSP | 144 | 168 | 8 X 21 | 150 | 315 | 135.9 | 7620 | 14.65 | 11 | 11.95 |
| DAC38RF85IAAV.B | AAV | FCCSP | 144 | 168 | 8 X 21 | 150 | 315 | 135.9 | 7620 | 14.65 | 11 | 11.95 |
| DAC38RF90IAAV | AAV | FCCSP | 144 | 168 | 8 X 21 | 150 | 315 | 135.9 | 7620 | 14.65 | 11 | 11.95 |
| DAC38RF90IAAV.B | AAV | FCCSP | 144 | 168 | 8 X 21 | 150 | 315 | 135.9 | 7620 | 14.65 | 11 | 11.95 |
| DAC38RF93IAAV | AAV | FCCSP | 144 | 168 | 8 X 21 | 150 | 315 | 135.9 | 7620 | 14.65 | 11 | 11.95 |
| DAC38RF93IAAV.B | AAV | FCCSP | 144 | 168 | 8 X 21 | 150 | 315 | 135.9 | 7620 | 14.65 | 11 | 11.95 |



NOTES:

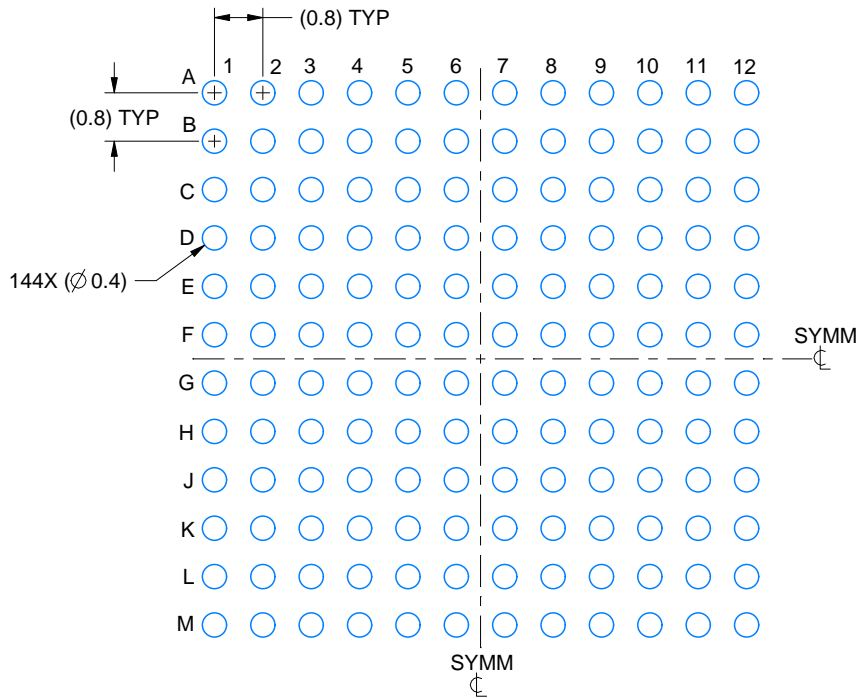
- All linear dimensions are in millimeters. Any dimensions in parenthesis are for reference only. Dimensioning and tolerancing per ASME Y14.5M.
- This drawing is subject to change without notice.
- Dimension is measured at the maximum solder ball diameter, parallel to primary datum C.
- Primary datum C and seating plane are defined by the spherical crowns of the solder balls.
- The lids are electrically floating (e.g. not tied to GND).

EXAMPLE BOARD LAYOUT

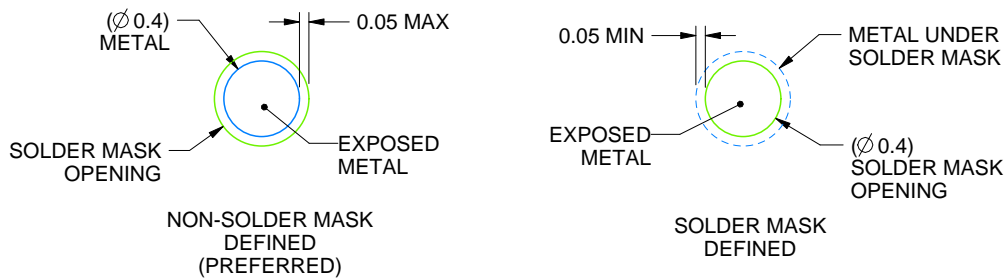
AAV0144A

FCBGA - 1.91 mm max height

BALL GRID ARRAY



LAND PATTERN EXAMPLE
EXPOSED METAL SHOWN
SCALE:8X



SOLDER MASK DETAILS
NOT TO SCALE

4219578/D 03/2023

NOTES: (continued)

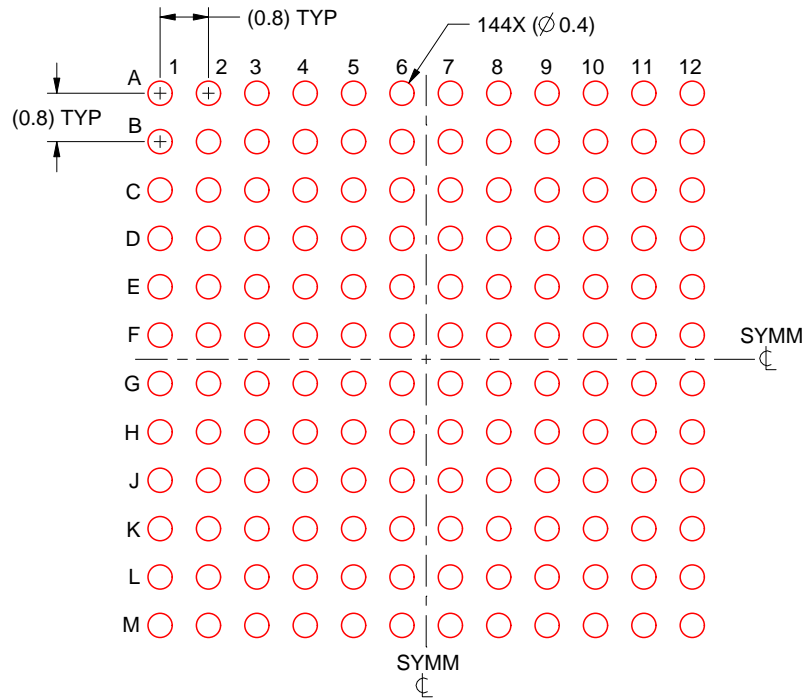
- Final dimensions may vary due to manufacturing tolerance considerations and also routing constraints. For more information, see Texas Instruments literature number SPRU811 (www.ti.com/lit/spru811).

EXAMPLE STENCIL DESIGN

AAV0144A

FCBGA - 1.91 mm max height

BALL GRID ARRAY



SOLDER PASTE EXAMPLE
BASED ON 0.15 mm THICK STENCIL
SCALE:8X

4219578/D 03/2023

NOTES: (continued)

7. Laser cutting apertures with trapezoidal walls and rounded corners may offer better paste release.

重要なお知らせと免責事項

TI は、技術データと信頼性データ(データシートを含みます)、設計リソース(リファレンス デザインを含みます)、アプリケーションや設計に関する各種アドバイス、Web ツール、安全性情報、その他のリソースを、欠陥が存在する可能性のある「現状のまま」提供しており、商品性および特定目的に対する適合性の黙示保証、第三者の知的財産権の非侵害保証を含むいかなる保証も、明示的または黙示的にかかわらず拒否します。

これらのリソースは、TI 製品を使用する設計の経験を積んだ開発者への提供を意図したものです。(1) お客様のアプリケーションに適した TI 製品の選定、(2) お客様のアプリケーションの設計、検証、試験、(3) お客様のアプリケーションに該当する各種規格や、その他のあらゆる安全性、セキュリティ、規制、または他の要件への確実な適合に関する責任を、お客様のみが単独で負うものとし、

上記の各種リソースは、予告なく変更される可能性があります。これらのリソースは、リソースで説明されている TI 製品を使用するアプリケーションの開発の目的でのみ、TI はその使用をお客様に許諾します。これらのリソースに関して、他の目的で複製することや掲載することは禁止されています。TI や第三者の知的財産権のライセンスが付与されている訳ではありません。お客様は、これらのリソースを自身で使用した結果発生するあらゆる申し立て、損害、費用、損失、責任について、TI およびその代理人を完全に補償するものとし、TI は一切の責任を拒否します。

TI の製品は、[TI の販売条件](#)、[TI の総合的な品質ガイドライン](#)、[ti.com](#) または TI 製品などに関連して提供される他の適用条件に従い提供されます。TI がこれらのリソースを提供することは、適用される TI の保証または他の保証の放棄の拡大や変更を意味するものではありません。TI がカスタム、またはカスタマー仕様として明示的に指定していない限り、TI の製品は標準的なカタログに掲載される汎用機器です。

お客様がいかなる追加条項または代替条項を提案する場合も、TI はそれらに異議を唱え、拒否します。

Copyright © 2025, Texas Instruments Incorporated

最終更新日：2025 年 10 月