

TPS26750 パワー スイッチを内蔵し電源アプリケーションに最適化された USB Type-C® および USB PD コントローラ

1 特長

- USB-IF による PD3.1 認証済みデバイス
 - 新しい USB PD 設計の認証には PD3.1 シリコンが必要
 - TPS26750 TID 番号: 11450
 - [PD2.0 と PD3.0 の比較](#)の記事
- USB Type-C PD 電源アプリケーション向けに最適化
 - TI バッテリー チャージャ向けの I2C 制御機能を内蔵
 - 例: 開発中
 - Web ベースの GUI および事前構成済みファームウェア
 - より詳しいセクションガイドと設計開始に必要な情報については、www.tij.co.jp/usb-c と [E2E ガイド](#)をご覧ください
- 拡張電力範囲 (EPR)
 - EPR のソースとシンクをサポート
 - EPR 28V、36V、48V、および AVS
- プログラマブル電源 (PPS)
 - PPS のソースとシンクをサポート
 - テキサス・インスツルメンツのバッテリー チャージャ向けのスタンドアロンの PPS ソース制御
 - PPS シンクのインターフェイスをプログラム可能
- 液体検出
 - Type-C コネクタで直接測定
 - エラー処理 / 保護機能を内蔵
- 完全に管理されたパワーパスと保護を内蔵
 - 5V、3A、および 36mΩ のソーシング スイッチを内蔵
 - 5V/3A ソース パワーパスの低電圧保護、過電圧保護、突入電流保護のための電流制限機能を内蔵
 - 26V 許容の CC ピンにより、非適合デバイス接続時の堅牢な保護
- USB Type-C® PD (Power Delivery) コントローラ
 - 10 本の構成可能な GPIO
 - BC1.2 充電対応
 - デッド バッテリー サポート用の 3.3V LDO 出力
 - 3.3V または VBUS 電源からの電力供給
 - 1 つの I2C プライマリポート
 - 1 つの I2C セカンダリ専用ポート

- その他の [パーソナル・エレクトロニクス](#) および [産業用アプリケーション](#)

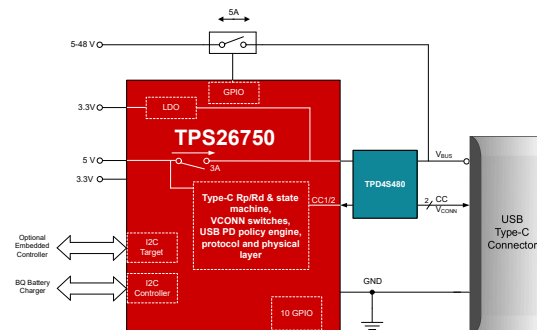
3 概要

TPS26750 は、USB-C PD 電源をサポートするアプリケーション向けに最適化された高集積スタンドアロン USB Type-C および PD (Power Delivery) コントローラです。TPS26750 は完全に管理されたパワーパスを堅牢な保護機能と統合することにより、包括的な USB-C PD ソリューションを実現しています。また、TPS26750 には、外部バッテリー チャージャ IC の制御機能が内蔵されているため、使いやすさが向上し、市場投入までの期間を短縮できます。直感的な Web ベースの GUI が用意されており、わかりやすいブロック図とシンプルな選択式の質問を使って、アプリケーションのニーズに関するいくつかの簡単な質問をユーザーに求めるようになっています。その結果、GUI を使用してユーザーのアプリケーションに適した構成イメージを作成して、競争力のある USB PD ソリューションに伴う複雑さを大幅に低減できます。

パッケージ情報

部品番号	パッケージ (1)	パッケージ サイズ (2)
TPS26750	RSM (QFN, 32)	4mm × 4mm

- (1) 利用可能なすべてのパッケージについては、データシートの末尾にある注文情報を参照してください。
- (2) パッケージサイズ (長さ × 幅) は公称値であり、該当する場合はピンも含まれます。



概略回路図

2 アプリケーション

- 電動工具、パワー・バンク、リテール・オートメーション およびペイメント
- ワイヤレス・スピーカ、ヘッドホン



Table of Contents

1 特長	1	5.19 Typical Characteristics	15
2 アプリケーション	1	6 Parameter Measurement Information	16
3 概要	1	7 Detailed Description	17
4 Pin Configuration and Functions	3	7.1 Overview.....	17
5 Specifications	5	7.2 Functional Block Diagram.....	18
5.1 Absolute Maximum Ratings.....	5	7.3 Feature Description.....	19
5.2 ESD Ratings.....	5	7.4 Device Functional Modes.....	33
5.3 Recommended Operating Conditions.....	6	7.5 Thermal Shutdown.....	35
5.4 Recommended Capacitance.....	6	8 Application and Implementation	36
5.5 Thermal Information.....	7	8.1 Application Information.....	36
5.6 Power Supply Characteristics.....	7	8.2 Typical Application.....	36
5.7 Power Consumption.....	7	8.3 Power Supply Recommendations.....	51
5.8 PP_5V Power Switch Characteristics.....	8	8.4 Layout.....	52
5.9 POWER_PATH_EN Characteristics - TPS26750	9	9 Device and Documentation Support	60
5.10 Power Path Supervisory.....	9	9.1 Device Support.....	60
5.11 CC Cable Detection Parameters.....	9	9.2 Documentation Support.....	60
5.12 CC VCONN Parameters.....	10	9.3 サポート・リソース.....	60
5.13 CC PHY Parameters.....	11	9.4 Trademarks.....	60
5.14 Thermal Shutdown Characteristics.....	11	9.5 静電気放電に関する注意事項.....	60
5.15 ADC Characteristics.....	12	9.6 用語集.....	60
5.16 Input/Output (I/O) Characteristics.....	12	10 Revision History	60
5.17 BC1.2 Characteristics.....	12	11 Mechanical, Packaging, and Orderable Information	60
5.18 I2C Requirements and Characteristics.....	13		

4 Pin Configuration and Functions

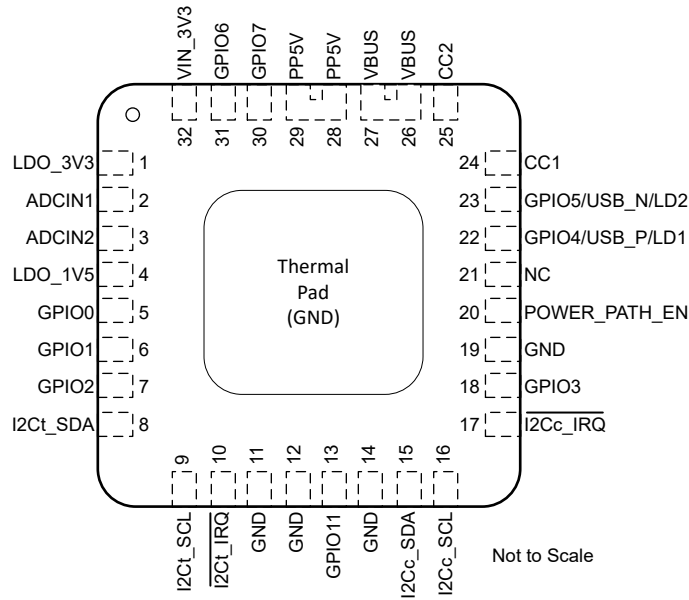


図 4-1. TPS26750 RSM Package, 32-Pin QFN (Top View)

表 4-1. TPS26750 Pin Functions

PIN		TYPE ⁽¹⁾	RESET	DESCRIPTION
NAME	NO.			
ADCIN1	2	I	Hi-Z	Configuration Input. Connect to a resistor divider to LDO_3V3.
ADCIN2	3	I	Hi-Z	Configuration Input. Connect to a resistor divider to LDO_3V3.
CC1	24	I/O	Hi-Z	I/O for USB Type-C. Filter noise with recommended capacitor to GND (CCCy).
CC2	25	I/O	Hi-Z	I/O for USB Type-C. Filter noise with recommended capacitor to GND (CCCy).
POWER_PATH_EN	20	O	Hi-Z	Power path enable for external load switch. Leave floating when unused. This is NOT a logic voltage level output.
GND	11, 12, 14	—	—	Ground. Connect to ground plane.
GPIO0	5	I/O	Hi-Z	General purpose digital I/O. Tie to ground when unused.
GPIO1	6	I/O	Hi-Z	General purpose digital I/O. Tie to ground when unused.
GPIO2	7	I/O	Hi-Z	General purpose digital I/O. Tie to ground when unused.
GPIO3	18	I/O	Hi-Z	General purpose digital I/O. Tie to ground when unused.
GPIO4/USB_P/LD1	22	I/O	Hi-Z	General purpose digital I/O. Tie to ground when unused. This can be connected to D+ for BC1.2 support.
GPIO5/USB_N/LD2	23	I/O	Hi-Z	General purpose digital I/O. Tie to ground when unused. This can be connected to D- for BC1.2 support.
GPIO6	31	I/O	Hi-Z	General purpose digital I/O. Tie to ground when unused.
GPIO7	30	I/O	Hi-Z	General purpose digital I/O. Tie to ground when unused.
I2Ct_SCL	9	I	Hi-Z	I2C target serial clock input. Tie to pullup voltage through a resistor. May be grounded if unused.
I2Ct_SDA	8	I/O	Hi-Z	I2C target serial data. Open-drain input/output. Tie to pullup voltage through a resistor. May be grounded if unused.
I2Ct_IRQ	10	O	Hi-Z	I2C target interrupt. Active low. Connect to external voltage through a pull-up resistor. This can be re-configured to GPIO10. Tie to ground when unused.
I2Cc_SCL	16	O	Hi-Z	I2C controller serial clock. Open-drain output. Tie to pullup voltage through a resistor when used or unused.
GPIO11	13	O	Hi-Z	General purpose digital I/O. Tie to ground when unused.
I2Cc_SDA	15	I/O	Hi-Z	I2C controller serial data. Open-drain input/output. Tie to pullup voltage through a resistor when used or unused.
I2Cc_IRQ	17	I	Hi-Z	I2C controller interrupt. Active low. Connect to external voltage through a pull-up resistor. Do NOT tie to GND when unused. This can be re-configured to GPIO12.
LDO_1V5	4	O	—	Output of the CORE LDO. Bypass with capacitance C _{LDO_1V5} to GND. This pin cannot source current to external circuits.
LDO_3V3	1	O	—	Output of supply switched from VIN_3V3 or VBUS LDO. Bypass with capacitance C _{LDO_3V3} to GND.
PP5V	28, 29	I	—	5V System Supply to VBUS, supply for CCy pins as VCONN.
VSYS	19	I	—	Tie to GND. Used as a reference for POWER_PATH_EN.
VBUS	26, 27	I/O	—	5V to 20V input. Bypass with capacitance C _{VBUS} to GND.
VIN_3V3	32	I	—	Supply for core circuitry and I/O. Bypass with capacitance C _{VIN_3V3} to GND.

(1) I = input, O = output, I/O = input and output, GPIO = general purpose digital input and output

5 Specifications

5.1 Absolute Maximum Ratings

5.1.1 TPS26750 - Absolute Maximum Ratings

over operating free-air temperature range (unless otherwise noted)⁽¹⁾

		MIN	MAX	UNIT	
Input voltage range ⁽²⁾	PP5V	-0.3	6	V	
	VIN_3V3	-0.3	4		
	ADCIN1, ADCIN2	-0.3	4		
	Output voltage range ⁽²⁾	VBUS_IN, VBUS ⁽⁴⁾	-0.3	28	V
		CC1, CC2 ⁽⁴⁾	-0.5	26	
		GPIOx	-0.3	6.0	
		I2Cc_SDA, I2Cc_SCL, I2Cc_IRQ, I2Ct_IRQ, I2Ct_SCL, I2Ct_SDA	-0.3	4	
Source current	LDO_1V5 ⁽³⁾	-0.3	2	V	
	LDO_3V3 ⁽³⁾	-0.3	4		
Source current	Source or sink current VBUS	internally limited		A	
	Positive source current on CC1, CC2	1			
	Positive sink current on CC1, CC2 while VCONN switch is enabled	1			
	Positive sink current for I2Cc_SDA, I2Cc_SCL, I2Cc_IRQ, I2Ct_IRQ, I2Ct_SCL, I2Ct_SDA	internally limited			
	Positive source current for LDO_3V3, LDO_1V5	internally limited			
Source current	GPIOx	0.005		A	
T _J Operating junction temperature		-40	175	°C	
T _{STG} Storage temperature		-55	150	°C	

- (1) Operation outside the Absolute Maximum Ratings may cause permanent device damage. Absolute Maximum Ratings do not imply functional operation of the device at these or any other conditions beyond those listed under *Recommended Operating Conditions*. If used outside the Recommended Operating Conditions but within the Absolute Maximum Ratings, the device may not be fully functional, and this may affect device reliability, functionality, performance, and shorten the device lifetime.
- (2) All voltage values are with respect to network GND. Connect the GND pin directly to the GND plane of the board.
- (3) Do not apply voltage to these pins.
- (4) A TVS with a break down voltage falling between the Recommended max and the Abs max value is recommended such as TVS2200.

5.1.2 TPS26750 - Absolute Maximum Ratings

		MIN	MAX	UNIT
POWER_PATH_EN	V _{VSYS} = GND	-0.5	12	V

5.2 ESD Ratings

PARAMETER	TEST CONDITIONS	VALUE	UNIT
V _(ESD)	Human-body model (HBM), per ANSI/ ESDA/JEDEC JS-001, all pins ⁽¹⁾	±1000	V
	Charged-device model (CDM), per ANSI/ ESDA/JEDEC JS-002, all pins ⁽²⁾	±500	

- (1) JEDEC document JEP155 states that 500-V HBM allows safe manufacturing with a standard ESD control process.
- (2) JEDEC document JEP157 states that 250-V CDM allows safe manufacturing with a standard ESD control process.

5.3.1 TPS26750 - Recommended Operating Conditions

over operating free-air temperature range (unless otherwise noted)⁽¹⁾

			MIN	MAX	UNIT
V _I	Input voltage range ⁽¹⁾	VIN_3V3	3.0	3.6	V
		PP5V	4.9	5.5	
		VBUS	4	22	
		VSYS	0	22	
V _{IO}	I/O voltage range ⁽¹⁾	I2Cx_SDA, I2Cx_SCL, I2Cx_IRQ, ADCIN1, ADCIN2	0	3.6	V
		GPIOx	0	5.5	
		CC1, CC2	0	5.5	
I _O	Output current (from PP5V)	VBUS		3	A
		CC1, CC2		315	mA
I _O	Output current (from LDO_3V3)	GPIOx		1	mA
I _O	Output current (from VBUS LDO)	sum of current from LDO_3V3 and GPIOx		5	mA
T _A	Ambient operating temperature	I _{PP_5V} ≤ 1.5A, I _{PP_CABLE} ≤ 315mA	-40	105	°C
		I _{PP_5V} ≤ 3A, I _{PP_CABLE} ≤ 315mA	-40	85	
T _J	Operating junction temperature		-40	125	°C

(1) All voltage values are with respect to network GND. All GND pins must be connected directly to the GND plane of the board.

5.4 Recommended Capacitance

over operating free-air temperature range (unless otherwise noted)

PARAMETER ⁽¹⁾		VOLTAGE RATING	MIN	NOM	MAX	UNIT
C _{VIN_3V3}	Capacitance on VIN_3V3	6.3V	5	10		μF
C _{LDO_3V3}	Capacitance on LDO_3V3	6.3V	5	10	25	μF
C _{LDO_1V5}	Capacitance on LDO_1V5	4V	4.5		12	μF
C _{VBUS}	Capacitance on VBUS ⁽⁴⁾	25V	1	4.7	10	μF
C _{PP5V}	Capacitance on PP5V	10V	120 ⁽²⁾			μF
C _{CCy}	Capacitance on CCy pins ⁽³⁾	6.3V	200	400	480	pF

- Capacitance values do not include any derating factors. For example, if 5.0 μF is required and the external capacitor value reduces by 50% at the required operating voltage, then the required external capacitor value would be 10 μF.
- This is a requirement from USB PD (cSrcBulkShared). Keep at least 10 μF tied directly to PP5V.
- This includes all external capacitance to the Type-C receptacle.
- The device can be configured to quickly disable the sinking power path upon certain events. When such a configuration is used, a capacitance on the higher side of this range is recommended.

5.5 Thermal Information

5.5.1 TPS26750 - Thermal Information

THERMAL METRIC ⁽¹⁾		TPS26750		UNIT
		QFN (RSM)		
		32 PINS		
R _{θJA}	Junction-to-ambient thermal resistance	30.5		°C/W
R _{θJC} (top)	Junction-to-case (top) thermal resistance	24.5		°C/W
R _{θJC}	Junction-to-board (bottom) thermal resistance	2		°C/W
R _{θJB}	Junction-to-board thermal resistance	9.8		°C/W
Ψ _{JT}	Junction-to-top characterization parameter	0.2		°C/W
Ψ _{JB}	Junction-to-board characterization parameter	9.7		°C/W

(1) For more information about traditional and new thermal metrics, see the [Semiconductor and IC Package Thermal Metrics](#) application report.

5.6 Power Supply Characteristics

Operating under these conditions unless otherwise noted: $3.0V \leq V_{VIN_3V3} \leq 3.6V$

PARAMETER		TEST CONDITIONS	MIN	TYP	MAX	UNIT
VIN_3V3, VBUS						
V _{VBUS_UVLO}	VBUS UVLO threshold	rising	3.6		3.9	V
		falling	3.5		3.8	
		hysteresis		0.1		
V _{VIN3V3_UVLO}	Voltage required on VIN_3V3 for power on	rising, V _{VBUS} = 0	2.56	2.66	2.76	V
		falling, V _{VBUS} = 0	2.44	2.54	2.64	
		hysteresis		0.12		
LDO_3V3, LDO_1V5						
V _{LDO_3V3}	Voltage on LDO_3V3	V _{VIN_3V3} = 0V, 10μA ≤ I _{LOAD} ≤ 18mA, V _{VBUS} ≥ 3.9V	3.0	3.4	3.6	V
R _{LDO_3V3}	R _{dson} of VIN_3V3 to LDO_3V3	I _{LDO_3V3} = 50mA			1.4	Ω
V _{LDO_1V5}	Voltage on LDO_1V5	up to maximum internal loading condition	1.49	1.5	1.65	V

5.7 Power Consumption

Operating under these conditions unless otherwise noted: $3.0V \leq V_{VIN_3V3} \leq 3.6V$, no GPIO loading

PARAMETER		TEST CONDITIONS	MIN	TYP	MAX	UNIT
I _{VIN_3V3,ActSrc}	Current into VIN_3V3	Active Source mode: V _{VBUS} = 5.0 V, V _{VIN_3V3} = 3.3 V		3		mA
I _{VIN_3V3,ActSnk}	Current into VIN_3V3	Active Sink mode: 22 V ≥ V _{VBUS} ≥ 4.0 V, V _{VIN_3V3} = 3.3 V		3	6	mA
I _{VIN_3V3,IdlSrc}	Current into VIN_3V3	Idle Source mode: V _{VBUS} = 5.0 V, V _{VIN_3V3} = 3.3 V		1.0		mA
I _{VIN_3V3,IdlSnk}	Current into VIN_3V3	Idle Sink mode: 22 V ≥ V _{VBUS} ≥ 4.0 V, V _{VIN_3V3} = 3.3 V		1.0		mA
P _{MstbySnk}	Power drawn into PP5V and VIN_3V3 in Modern Standby Sink Mode	CC _m floating, V _{CCn} = 0.4 V, V _{PP5V} = 5 V, V _{VIN_3V3} = 3.3 V, V _{VBUS} = 5.0 V, POWER_PATH_EN disabled, and T _J = 25°C		4.1		mW
P _{MstbySrc}	Power drawn into PP5V and VIN_3V3 in Modern Standby Source Mode	CC _m floating, CC _n tied to GND through 5.1 kΩ, V _{PP5V} = 5 V, V _{VIN_3V3} = 3.3 V, I _{VBUS} = 0, T _J = 25°C		4.5		mW
I _{PP5V,Sleep}	Current into PP5V	Sleep mode: V _{PA_VBUS} = 0 V, V _{VIN_3V3} = 3.3 V		2		μA
I _{VIN_3V3,Sleep}	Current into VIN_3V3	Sleep mode: V _{VBUS} = 0 V, V _{VIN_3V3} = 3.3 V		56		μA

5.8 PP_5V Power Switch Characteristics

Operating under these conditions unless otherwise noted: $3.0\text{ V} \leq V_{VIN_3V3} \leq 3.6\text{ V}$

PARAMETER		TEST CONDITIONS	MIN	TYP	MAX	UNIT
R _{PP_5V}	Resistance from PP5V to VBUS	I _{LOAD} = 3 A, T _J = 25°C		36	38	mΩ
R _{PP_5V}	Resistance from PP5V to VBUS	I _{LOAD} = 3 A, T _J = 125°C		36	53	mΩ
I _{PP5V_REV}	VBUS to PP5V leakage current	V _{PP5V} = 0 V, V _{VBUS} = 5.5 V, PP_5V disabled, T _J ≤ 85°C, measure I _{PP5V}			5	μA
I _{PP5V_FWD}	PP5V to VBUS leakage current	V _{PP5V} = 5.5 V, V _{VBUS} = 0 V, PP_5V disabled, T _J ≤ 85°C, measure I _{VBUS}			15	μA
I _{LIM5V}	Current limit setting	Configure to setting 0	1.15		1.36	A
I _{LIM5V}	Current limit setting	Configure to setting 1	1.61		1.90	A
I _{LIM5V}	Current limit setting		2.3		2.70	A
I _{LIM5V}	Current limit setting	Configure to setting 3	3.04		3.58	A
I _{LIM5V}	Current limit setting	Configure to setting 4	3.22		3.78	A
I _{VBUS}	PP5V to VBUS current sense accuracy	3.64 A ≥ I _{VBUS} ≥ 1 A	3.05	3.5	3.75	A/V
V _{PP_5V_RCP}	RCP clears and PP_5V starts turning on when V _{VBUS} – V _{PP5V} < V _{PP_5V_RCP} . Measure V _{VBUS} – V _{PP5V}		10		20	mV
t _{IOS_PP_5V}	Response time to VBUS short circuit	VBUS to GND through 10 mΩ, C _{VBUS} = 0		1.15		μs
t _{PP_5V_ovp}	Response time to V _{VBUS} > V _{OVP4RCP}	Enable PP_5V, I _{RpDef} being drawn from PP5V, configure V _{OVP4RCP} to setting 2, ramp V _{VBUS} from 4V to 20 V at 100 V/ms, C _{PP5V} = 2.5 μF, measure time from OVP detection until reverse current < 100 mA		4.5		μs
t _{PP_5V_uvlo}	Response time to V _{PP5V} < V _{PP5V_UVLO} . PP_VBUS is deemed off when V _{VBUS} < 0.8 V	R _L = 100 Ω, no external capacitance on VBUS		4		μs
t _{PP_5V_rcp}	Response time to V _{PP5V} < V _{VBUS} + V _{PP_5V_RCP}	V _{PP5V} = 5.5 V, I _{RpDef} being drawn from PP5V, enable PP_5V, configure V _{OVP4RCP} to setting 2, ramp V _{VBUS} from 4 V to 21.5 V at 10 V/μs, measure V _{PP5V} . C _{PP5V} = 104 μF, C _{VBUS} = 10 μF, measure time from RCP detection until reverse current < 100 mA		0.7		μs
t _{LIM}	Current clamping deglitch time			5.1		ms
t _{ON}	From enable signal to VBUS at 90% of final value	R _L = 100 Ω, V _{PP5V} = 5 V, C _L = 0	2.3	3.3	4.3	ms
t _{OFF}	From disable signal to VBUS at 10% of final value	R _L = 100 Ω, V _{PP5V} = 5 V, C _L = 0	0.30	0.45	0.6	ms
t _{RISE}	VBUS from 10% to 90% of final value	R _L = 100 Ω, V _{PP5V} = 5 V, C _L = 0	1.2	1.7	2.2	ms
t _{FALL}	VBUS from 90% to 10% of initial value	R _L = 100 Ω, V _{PP5V} = 5 V, C _L = 0	0.06	0.1	0.14	ms

5.9 POWER_PATH_EN Characteristics - TPS26750

Operating under these conditions unless otherwise noted: , $3.0\text{ V} \leq V_{\text{VIN}_3\text{V}3} \leq 3.6\text{ V}$

PARAMETER		TEST CONDITIONS	MIN	TYP	MAX	UNIT
I _{POWER_PATH_EN}	Sourcing current	V _{GATE_VSYS} = 0 V	8.5		11.5	μA
V _{POWER_PATH_EN}	Sourcing voltage (ON)	V _{VSYS} = 0 V,	6		12	V
I _{POWER_PATH_EN}	Sinking strength	V _{VSYS} = 0 V	13			μA

5.10 Power Path Supervisory

Operating under these conditions unless otherwise noted: $3.0\text{ V} \leq V_{\text{VIN}_3\text{V}3} \leq 3.6\text{ V}$

PARAMETER		TEST CONDITIONS	MIN	TYP	MAX	UNIT
V _{PP5V_UVLO}	Voltage required on PP5V	rising	3.9	4.1	4.3	V
		falling	3.8	4.0	4.2	
		hysteresis		0.1		
I _{DSCH}	VBUS discharge current	V _{VBUS} = 22 V, measure I _{VBUS}	4		15	mA

5.11 CC Cable Detection Parameters

Operating under these conditions unless otherwise noted: $3.0\text{ V} \leq V_{\text{VIN}_3\text{V}3} \leq 3.6\text{ V}$

PARAMETER		TEST CONDITIONS	MIN	TYP	MAX	UNIT
Type-C Source (Rp pullup)						
V _{OC_3.3}	Unattached CCy open circuit voltage while Rp enabled, no load	V _{LDO_3V3} > 2.302 V, R _{CC} = 47 kΩ	1.85			V
V _{OC_5}	Attached CCy open circuit voltage while Rp enabled, no load	V _{PP5V} > 3.802 V, R _{CC} = 47 kΩ	2.95			V
I _{Rev}	Unattached reverse current on CCy	V _{CCy} = 5.5 V, V _{CCx} = 0 V, V _{LDO_3V3_UVLO} < V _{LDO_3V3} < 3.6 V, V _{PP5V} = 3.8 V, measure current into CCy			10	μA
		V _{CCy} = 5.5 V, V _{CCx} = 0 V, V _{LDO_3V3_UVLO} < V _{LDO_3V3} < 3.6 V, V _{PP5V} = 0, T _J ≤ 85°C, measure current into CCy			10	
I _{RpDef}	Current source - USB Default	0 < V _{CCy} < 1.0 V, measure I _{CCy}	64	80	96	μA
I _{Rp1.5}	Current source - 1.5 A	4.75 V < V _{PP5V} < 5.5 V, 0 < V _{CCy} < 1.5 V, measure I _{CCy}	166	180	194	μA
I _{Rp3.0}	Current source - 3.0 A	4.75 V < V _{PP5V} < 5.5 V, 0 < V _{CCy} < 2.45 V, measure I _{CCy}	304	330	356	μA
Type-C Sink (Rd pulldown)						
V _{SNK1}	Open/Default detection threshold when Rd applied to CCy	rising	0.2		0.24	V
V _{SNK1}	Open/Default detection threshold when Rd applied to CCy	falling	0.16		0.20	V
	Hysteresis			0.04		V
V _{SNK2}	Default/1.5-A detection threshold	falling	0.62		0.68	V
V _{SNK2}	Default/1.5-A detection threshold	rising	0.63	0.66	0.69	V
	Hysteresis			0.01		V
V _{SNK3}	1.5-A/3.0-A detection threshold when Rd applied to CCy	falling	1.17		1.25	V

5.11 CC Cable Detection Parameters (続き)

Operating under these conditions unless otherwise noted: $3.0\text{ V} \leq V_{\text{VIN}_3\text{V}3} \leq 3.6\text{ V}$

PARAMETER		TEST CONDITIONS	MIN	TYP	MAX	UNIT
V _{SNK3}	1.5-A/3.0-A detection threshold when Rd applied to CCy	rising	1.22		1.3	V
	Hysteresis			0.05		V
R _{SNK}	Rd pulldown resistance	$0.25\text{ V} \leq V_{\text{CCy}} \leq 2.1\text{ V}$, measure resistance on CCy	4.6		5.6	kΩ
R _{VCONN_DIS}	VCONN discharge resistance	$0\text{ V} \leq V_{\text{CCy}} \leq 5.5\text{ V}$, measure resistance on CCy	4.0		6.12	kΩ
V _{CLAMP}	Dead battery Rd clamp	$V_{\text{VIN}_3\text{V}3} = 0\text{ V}$, $64\text{ }\mu\text{A} < I_{\text{CCy}} < 96\text{ }\mu\text{A}$	0.25		1.32	V
		$V_{\text{VIN}_3\text{V}3} = 0\text{ V}$, $166\text{ }\mu\text{A} < I_{\text{CCy}} < 194\text{ }\mu\text{A}$	0.65		1.32	
		$V_{\text{VIN}_3\text{V}3} = 0\text{ V}$, $304\text{ }\mu\text{A} < I_{\text{CCy}} < 356\text{ }\mu\text{A}$	1.20		2.18	
R _{Open}	Resistance from CCy to GND when configured as open	$V_{\text{VBUS}} = 0$, $V_{\text{VIN}_3\text{V}3} = 3.3\text{ V}$, $V_{\text{CCy}} = 5\text{ V}$, measure resistance on CCy	500			kΩ
		$V_{\text{VBUS}} = 5\text{ V}$, $V_{\text{VIN}_3\text{V}3} = 0$, $V_{\text{CCy}} = 5\text{ V}$, measure resistance on CCy	500			kΩ

5.12 CC VCONN Parameters

Operating under these conditions unless otherwise noted: $3.0\text{ V} \leq V_{\text{VIN}_3\text{V}3} \leq 3.6\text{ V}$

PARAMETER		TEST CONDITIONS	MIN	TYP	MAX	UNIT
R _{PP_CABLE}	Rdson of the VCONN path	$V_{\text{PP5V}} = 5\text{ V}$, $I_L = 250\text{ mA}$, measure resistance from PP5V to CCy			1.2	Ω
I _{LIMVC}	Short circuit current limit	Setting 0, $V_{\text{PP5V}} = 5\text{ V}$, $R_L = 10\text{ m}\Omega$, measure I_{CCy}	350	410	470	mA
I _{LIMVC}	Short circuit current limit	Setting 1, $V_{\text{PP5V}} = 5\text{ V}$, $R_L = 10\text{ m}\Omega$, measure I_{CCy}	540	600	660	mA
I _{CC2PP5V}	Reverse leakage current through VCONN FET	VCONN disabled, $T_J \leq 85^\circ\text{C}$, $V_{\text{CCy}} = 5.5\text{ V}$, $V_{\text{PP5V}} = 0\text{ V}$, $V_{\text{VBUS}} = 5\text{ V}$, LDO forced to draw from VBUS, measure I_{CCy}			10	μA
V _{VC_OVP}	Overvoltage protection threshold for PP_CABLE	V_{PP5V} rising	5.6	5.9	6.2	V
V _{VC_RCP}	Reverse current protection threshold for PP_CABLE, sourcing VCONN through CCx	$V_{\text{PP5V}} \geq 4.9\text{ V}$, $V_{\text{CCy}} = V_{\text{PP5V}}$, V_{CCx} rising	60	200	340	mV
		$V_{\text{PP5V}} \geq 4.9\text{ V}$, $V_{\text{CCy}} \leq 4\text{ V}$, V_{CCx} rising	210	340	470	mV
t _{VCILIM}	Current clamp deglitch time			1.3		ms
t _{PP_CABLE_FSD}	Time to disable PP_CABLE after $V_{\text{PP5V}} > V_{\text{VC_OVP}}$ or $V_{\text{CCx}} - V_{\text{PP5V}} > V_{\text{VC_RCP}}$	$C_L = 0$		0.5		μs
t _{PP_CABLE_off}	From disable signal to CCy at 10% of final value	$I_L = 250\text{ mA}$, $V_{\text{PP5V}} = 5\text{ V}$, $C_L = 0$	100	200	300	μs
t _{IOS_PP_CABLE}	Response time to short circuit	$V_{\text{PP5V}} = 5\text{ V}$, for short circuit $R_L = 10\text{ m}\Omega$		2		μs

5.13 CC PHY Parameters

Operating under these conditions unless otherwise noted: and ($3.0\text{ V} \leq V_{\text{VIN}_3\text{V3}} \leq 3.6\text{ V}$ or $V_{\text{VBUS}} \geq 3.9\text{ V}$)

PARAMETER		TEST CONDITIONS	MIN	TYP	MAX	UNIT
Transmitter						
V_{TXHI}	Transmit high voltage on CCy	Standard External load	1.05	1.125	1.2	V
V_{TXLO}	Transmit low voltage on CCy	Standard External load	-75		75	mV
Z_{DRIVER}	Transmit output impedance while driving the CC line using CCy	measured at 750 kHz	33	54	75	Ω
t_{Rise}	Rise time. 10 % to 90 % amplitude points on CCy, minimum is under an unloaded condition. Maximum set by TX mask	$C_{\text{CCy}} = 520\text{ pF}$	300			ns
t_{Fall}	Fall time. 90 % to 10 % amplitude points on CCy, minimum is under an unloaded condition. Maximum set by TX mask	$C_{\text{CCy}} = 520\text{ pF}$	300			ns
$V_{\text{PHY_OVP}}$	OVP detection threshold for USB PD PHY	$0 \leq V_{\text{VIN}_3\text{V3}} \leq 3.6\text{ V}$, $0 \leq V_{\text{PP5V}} \leq 5.5\text{ V}$, $V_{\text{VBUS}} \geq 4\text{ V}$. Initially $V_{\text{CC1}} \leq 5.5\text{ V}$ and $V_{\text{CC2}} \leq 5.5\text{ V}$, then V_{CCx} rises	5.5		8.5	V
Receiver						
$Z_{\text{BMC RX}}$	Receiver input impedance on CCy	Does not include pullup or pulldown resistance from cable detect. Transmitter is Hi-Z	1			M Ω
C_{CC}	Receiver capacitance on CCy ⁽¹⁾	Capacitance looking into the CC pin when in receiver mode			120	pF
$V_{\text{RX_SNK_R}}$	Rising threshold on CCy for receiver comparator	Sink mode (rising)	499	525	551	mV
$V_{\text{RX_SRC_R}}$	Rising threshold on CCy for receiver comparator	Source mode (rising)	784	825	866	mV
$V_{\text{RX_SNK_F}}$	Falling threshold on CCy for receiver comparator	Sink mode (falling)	230	250	270	mV
$V_{\text{RX_SRC_F}}$	Falling threshold on CCy for receiver comparator	Source mode (falling)	523	550	578	mV

(1) C_{CC} includes only the internal capacitance on a CCy pin when the pin is configured to be receiving BMC data. External capacitance is needed to meet the required minimum capacitance per the USB-PD Specifications (cReceiver). Therefore, TI recommends adding C_{CCy} externally.

5.14 Thermal Shutdown Characteristics

over operating free-air temperature range (unless otherwise noted)

PARAMETER		TEST CONDITIONS	MIN	TYP	MAX	UNIT
$T_{\text{SD_MAIN}}$	Temperature shutdown threshold	Temperature rising	145	160	175	$^{\circ}\text{C}$
		Hysteresis		15		$^{\circ}\text{C}$
$T_{\text{SD_PP5V}}$	Temperature controlled shutdown threshold. The power paths for each port sourcing from PP5V and PP_CABLE power paths have local sensors that disables them when the temperature is exceeded	Temperature rising	135	150	165	$^{\circ}\text{C}$
		Hysteresis		10		$^{\circ}\text{C}$

5.15 ADC Characteristics

Operating under these conditions unless otherwise noted: $3.0\text{ V} \leq V_{VIN_3V3} \leq 3.6\text{ V}$

PARAMETER		TEST CONDITIONS	MIN	TYP	MAX	UNIT
LSB	Least significant bit	3.6-V max scaling, voltage divider of 3		14		mV
		25.2-V max scaling, voltage divider of 21		98		mV
		4.07-A max scaling		16.5		mA
GAIN_ERR	Gain error	$0.05\text{ V} \leq V_{ADCINx} \leq 3.6\text{ V}$, $V_{ADCINx} \leq V_{LDO_3V3}$	-2.7		2.7	%
		$0.05\text{ V} \leq V_{GPIOx} \leq 3.6\text{ V}$, $V_{GPIOx} \leq V_{LDO_3V3}$				
		$2.7\text{ V} \leq V_{LDO_3V3} \leq 3.6\text{ V}$	-2.4	2.4		
		$0.6\text{ V} \leq V_{VBUS} \leq 22\text{ V}$	-2.1	2.1		
		$1\text{ A} \leq I_{VBUS} \leq 3\text{ A}$	-2.1	2.1		
VOS_ERR	Offset error ⁽¹⁾	$0.05\text{ V} \leq V_{ADCINx} \leq 3.6\text{ V}$, $V_{ADCINx} \leq V_{LDO_3V3}$	-4.1		4.1	mV
		$0.05\text{ V} \leq V_{GPIOx} \leq 3.6\text{ V}$, $V_{GPIOx} \leq V_{LDO_3V3}$				
		$2.7\text{ V} \leq V_{LDO_3V3} \leq 3.6\text{ V}$	-4.5	4.5		
		$0.6\text{ V} \leq V_{VBUS} \leq 22\text{ V}$	-4.1	4.1		
		$1\text{ A} \leq I_{VBUS} \leq 3\text{ A}$	-4.5	4.5	mA	

(1) The offset error is specified after the voltage divider.

5.16 Input/Output (I/O) Characteristics

Operating under these conditions unless otherwise noted: $3.0\text{ V} \leq V_{VIN_3V3} \leq 3.6\text{ V}$

PARAMETER		TEST CONDITIONS	MIN	TYP	MAX	UNIT
USB_P, USB_N						
GPIO_VIH	GPIOx high-level input voltage	$V_{LDO_3V3} = 3.3\text{ V}$	1.3			V
GPIO_VIL	GPIOx low-level input voltage	$V_{LDO_3V3} = 3.3\text{ V}$			0.54	V
GPIO_HYS	GPIOx input hysteresis voltage	$V_{LDO_3V3} = 3.3\text{ V}$	0.09			V
GPIO_ILKG	GPIOx leakage current	$V_{GPIOx} = 3.45\text{ V}$	-1		1	μA
GPIO_RPU	GPIOx internal pullup	Pullup enabled	50	100	150	k Ω
GPIO_RPD	GPIOx internal pulldown	Pulldown enabled	50	100	150	k Ω
GPIO_DG	GPIOx input deglitch			20	50	ns
GPIO0-7 (Outputs)						
GPIO_VOH	GPIOx output high voltage	$V_{LDO_3V3} = 3.3\text{ V}$, $I_{GPIOx} = -2\text{ mA}$	2.9			V
GPIO_VOL	GPIOx output low voltage	$V_{LDO_3V3} = 3.3\text{ V}$, $I_{GPIOx} = 2\text{ mA}$			0.4	V
ADCIN1, ADCIN2						
ADCIN_ILKG	ADCINx leakage current	$V_{ADCINx} \leq V_{LDO_3V3}$	-1		1	μA
t _{BOOT}	Time from LDO_3V3 going high until ADCINx is read for configuration			10		ms

5.17 BC1.2 Characteristics

Operating under these conditions unless otherwise noted: $3.0\text{ V} \leq V_{VIN_3V3} \leq 3.6\text{ V}$

PARAMETER		TEST CONDITIONS	MIN	TYP	MAX	UNIT
DATA CONTACT DETECT						
I _{DP_SRC}	DCD source current	$V_{LDO_3V3} = 3.3\text{ V}$	7	10	13	μA

5.17 BC1.2 Characteristics (続き)

Operating under these conditions unless otherwise noted: $3.0\text{ V} \leq V_{\text{VIN}_3\text{V}3} \leq 3.6\text{ V}$

PARAMETER		TEST CONDITIONS	MIN	TYP	MAX	UNIT
R _{DM_DWN}	DCD pulldown resistance	V _{USB_N} = 3.6 V	14.25	20	24.8	kΩ
R _{DP_DWN}	DCD pulldown resistance	V _{USB_P} = 3.6 V	14.25	20	24.8	kΩ
V _{LGC_HI}	Threshold for no connection	V _{USB_P} ≥ V _{LGC_HI} , V _{LDO_3V3} = 3.3 V, R _{USB_P} = 300 kΩ	2		3.6	V
V _{LGC_LO}	Threshold for connection	V _{USB_N} ≤ V _{LGC_LO} , V _{LDO_3V3} = 3.3 V, R _{USB_P} = 24.8 kΩ	0		0.8	V
Advertisement and Detection						
V _{DX_ILIM}	VDX_SRC current limit		250		400	μA
I _{DX_SNK}	Sink Current	V _{USB_P} ≥ 250 mV	25	75	125	μA
I _{DX_SNK}	Sink Current	V _{USB_N} ≥ 250 mV	25	75	125	μA
R _{DCP_DAT}	Dedicated Charging Port Resistance	0.5 V ≤ V _{USB_P} ≤ 0.7 V, 25 μA ≤ I _{USB_N} ≤ 175 μA			200	Ω

5.18 I2C Requirements and Characteristics

Operating under these conditions unless otherwise noted: $3.0\text{ V} \leq V_{\text{VIN}_3\text{V}3} \leq 3.6\text{ V}$

PARAMETER		TEST CONDITIONS	MIN	TYP	MAX	UNIT
I2Ct_IRQ						
OD_VOL_IRQ	Low level output voltage	I _{OL} = 2 mA			0.4	V
OD_LKG_IRQ	Leakage Current	Output is Hi-Z, V _{I2Cx_IRQ} = 3.45 V	-1		1	μA
I2Cc_IRQ						
IRQ_VIH	High-Level input voltage	V _{LDO_3V3} = 3.3 V	1.3			V
IRQ_VIH_THRESH	High-Level input voltage threshold	V _{LDO_3V3} = 3.3 V	0.72		1.3	V
IRQ_VIL	low-level input voltage	V _{LDO_3V3} = 3.3 V			0.54	V
IRQ_VIL_THRESH	low-level input voltage threshold	V _{LDO_3V3} = 3.3 V	0.54		1.08	V
IRQ_HYS	input hysteresis voltage	V _{LDO_3V3} = 3.3 V	0.09			V
IRQ_DEG	input deglitch			20		ns
IRQ_ILKG	I2Cc_IRQ leakage current	V _{I2Cc_IRQ} = 3.45 V	-1		1	μA
SDA and SCL Common Characteristics (Controller, Target)						
V _{IL}	Input low signal	V _{LDO_3V3} = 3.3 V			0.54	V
I _{OL}	Max output low current	V _{OL} = 0.4 V	15			mA
I _{OL}	Max output low current	V _{OL} = 0.6 V	20			mA
t _f	Fall time from 0.7 × V _{DD} to 0.3 × V _{DD}	V _{DD} = 1.8 V, 10 pF ≤ C _b ≤ 400 pF V _{DD} = 3.3 V, 10 pF ≤ C _b ≤ 400 pF	12		80	ns
t _{SP}	I2C pulse width suppressed				50	ns
C _b	Capacitive load for each bus line (external)				400	pF
SDA and SCL Standard Mode Characteristics (Target)						
f _{SCLS}	Clock frequency for target	V _{DD} = 1.8 V or 3.3 V			100	kHz
t _{VD:DAT}	Valid data time	Transmitting Data, V _{DD} = 1.8 V or 3.3 V, SCL low to SDA output valid			3.45	μs
t _{VD:ACK}	Valid data time of ACK condition	Transmitting Data, V _{DD} = 1.8 V or 3.3 V, ACK signal from SCL low to SDA (out) low			3.45	μs
SDA and SCL Fast Mode Characteristics (Target)						
f _{SCLS}	Clock frequency for target	V _{DD} = 1.8 V or 3.3 V	100		400	kHz

5.18 I2C Requirements and Characteristics (続き)

Operating under these conditions unless otherwise noted: $3.0\text{ V} \leq V_{\text{VIN}_3\text{V}_3} \leq 3.6\text{ V}$

PARAMETER		TEST CONDITIONS	MIN	TYP	MAX	UNIT
$t_{\text{VD;DAT}}$	Valid data time	Transmitting data, $V_{\text{DD}} = 1.8\text{ V}$, SCL low to SDA output valid			0.9	μs
$t_{\text{VD;ACK}}$	Valid data time of ACK condition	Transmitting data, $V_{\text{DD}} = 1.8\text{ V}$ or 3.3 V , ACK signal from SCL low to SDA (out) low			0.9	μs
f_{SCLS}	Clock frequency for Fast Mode Plus ⁽¹⁾	$V_{\text{DD}} = 1.8\text{ V}$ or 3.3 V	400		800	kHz
$t_{\text{VD;DAT}}$	Valid data time	Transmitting data, $V_{\text{DD}} = 1.8\text{ V}$ or 3.3 V , SCL low to SDA output valid			0.55	μs
$t_{\text{VD;ACK}}$	Valid data time of ACK condition	Transmitting data, $V_{\text{DD}} = 1.8\text{ V}$ or 3.3 V , ACK signal from SCL low to SDA (out) low			0.55	μs
t_{LOW}	Clock low time	$V_{\text{DD}} = 3.3\text{ V}$	1.3			μs
t_{HIGH}	Clock high time	$V_{\text{DD}} = 3.3\text{ V}$	0.6			μs

(1) Controller must control f_{SCLS} to ensure $t_{\text{LOW}} > t_{\text{VD; ACK}}$.

5.19 Typical Characteristics

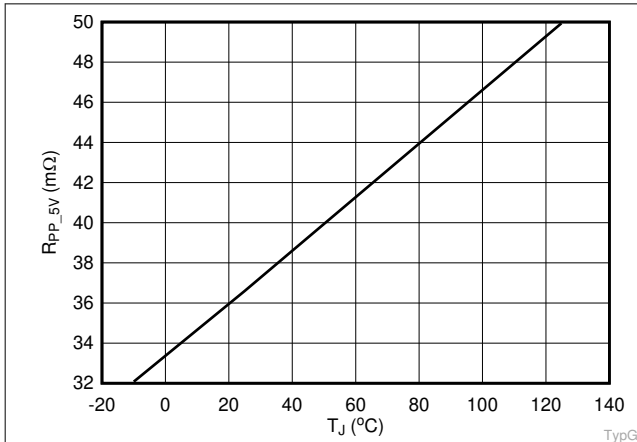


図 5-1. PP_5V Rdson vs Temperature

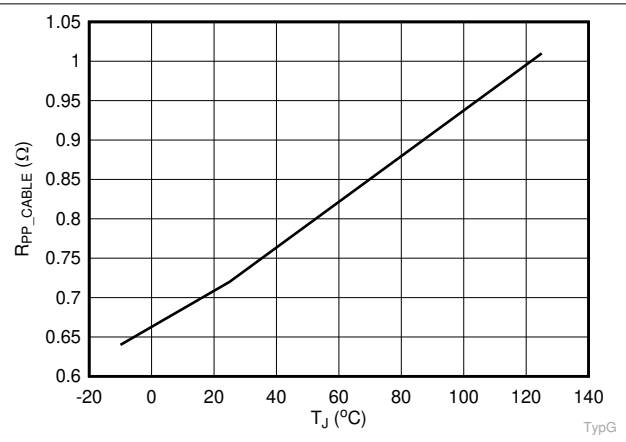


図 5-2. PP_CABLE Rdson vs Temperature

6 Parameter Measurement Information

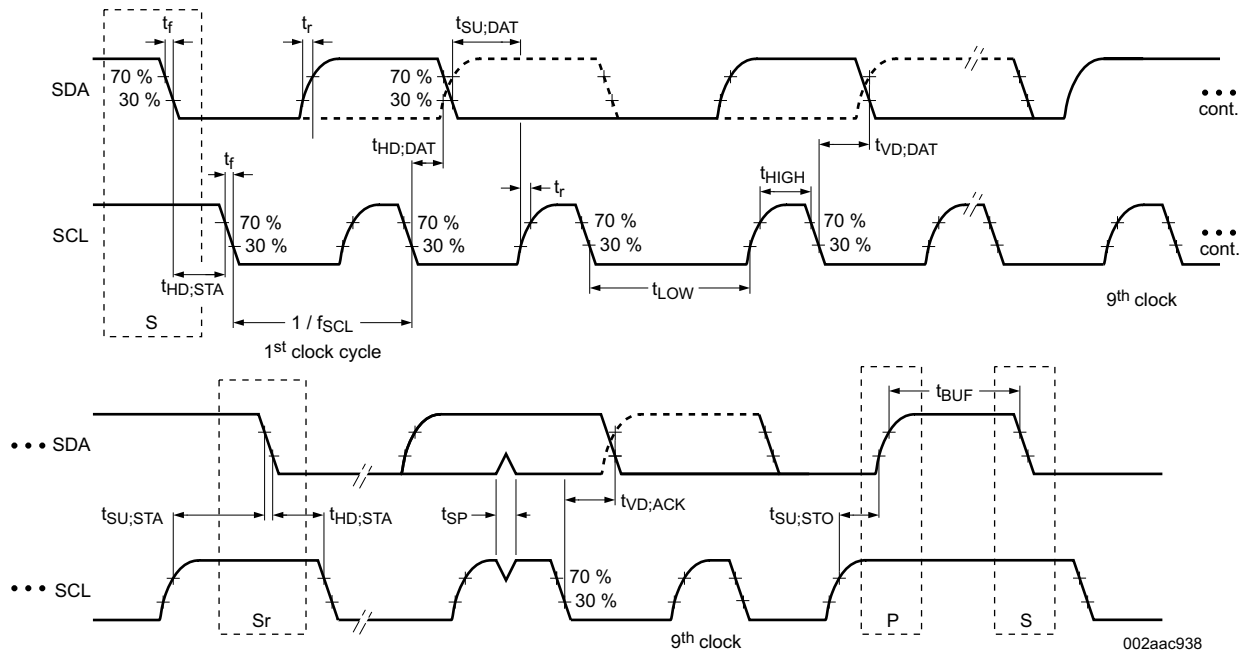


图 6-1. I²C Target Interface Timing

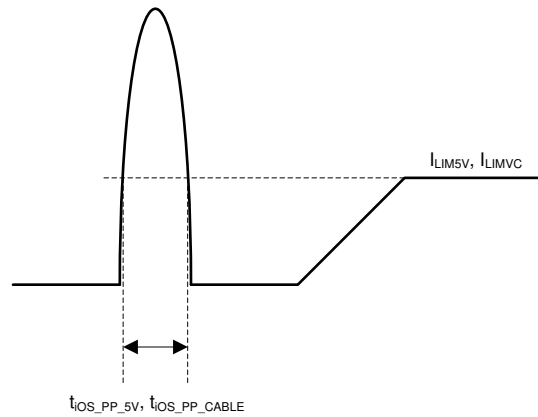


图 6-2. Short-circuit Response Time for Internal Power Paths PP_5V and PP_CABLE

7 Detailed Description

7.1 Overview

The TPS26750 is a fully-integrated USB Power Delivery (USB-PD) management device providing cable plug and orientation detection for USB Type-C and PD receptacles. The TPS26750 communicates with the cable and another USB Type-C and PD device at the opposite end of the cable. The device also enables integrated port power switch for sourcing, and controls a high current port power switch for sinking.

The TPS26750 is divided into several main sections:

- USB-PD controller
- Cable plug and orientation detection circuitry
- Port power switches
- Power management circuitry
- Digital core

The USB-PD controller provides the physical layer (PHY) functionality of the USB-PD protocol. The USB-PD data is output through either the CC1 pin or the CC2 pin, depending on the orientation of the reversible USB Type-C cable. For a high-level block diagram of the USB-PD physical layer, a description of its features, and more detailed circuitry, see [USB-PD Physical Layer](#).

The cable plug and orientation detection analog circuitry automatically detects a USB Type-C cable plug insertion the cable orientation. For a high-level block diagram of cable plug and orientation detection, a description of its features, and more detailed circuitry, see [Cable Plug and Orientation Detection](#).

The port power switches provide power to the VBUS pin and CC1 or CC2 pins based on the detected plug orientation. For a high-level block diagram of the port power switches, a description of its features, and more detailed circuitry, see [Power Paths](#).

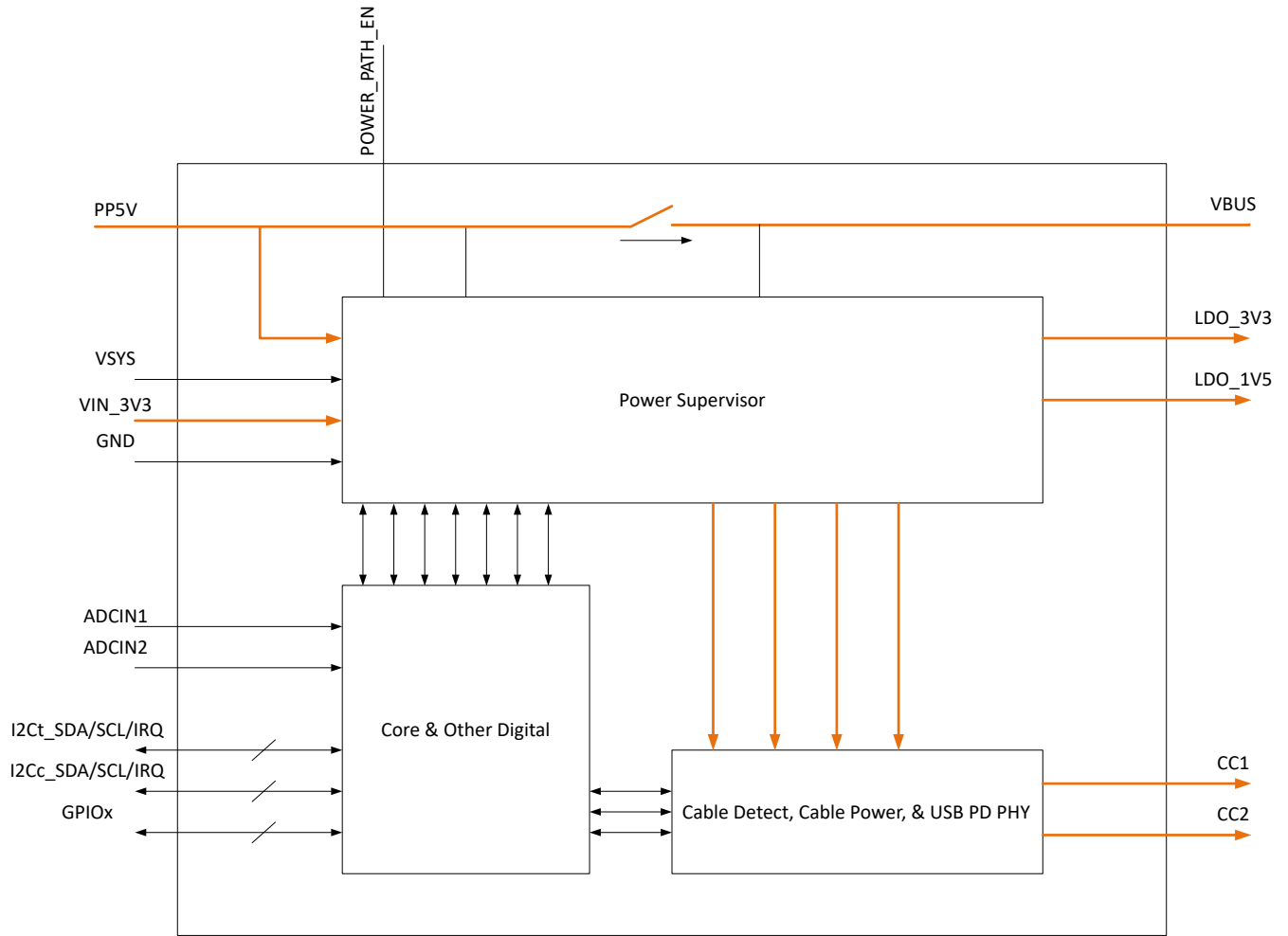
The power management circuitry receives and provides power to the TPS26750 internal circuitry and LDO_3V3 output. See [Power Management](#) for more information.

The digital core provides the engine for receiving, processing, and sending all USB-PD packets as well as handling control of all other TPS26750 functionality. A portion of the digital core contains ROM memory, which contains all the necessary firmware required to execute Type-C and PD applications. In addition, a section of the ROM, called boot code, is capable of initializing the TPS26750, loading of the device configuration information, and loading any code patches into volatile memory in the digital core. For a high-level block diagram of the digital core, a description of its features, and more detailed circuitry, see [Digital Core](#).

The TPS26750 has one I²C controller to write to and read from external target devices such as a battery charger or an optional external EEPROM memory (see [I2C Interface](#)).


The TPS26750 also integrates a thermal shutdown mechanism and runs off of accurate clocks provided by the integrated oscillator.

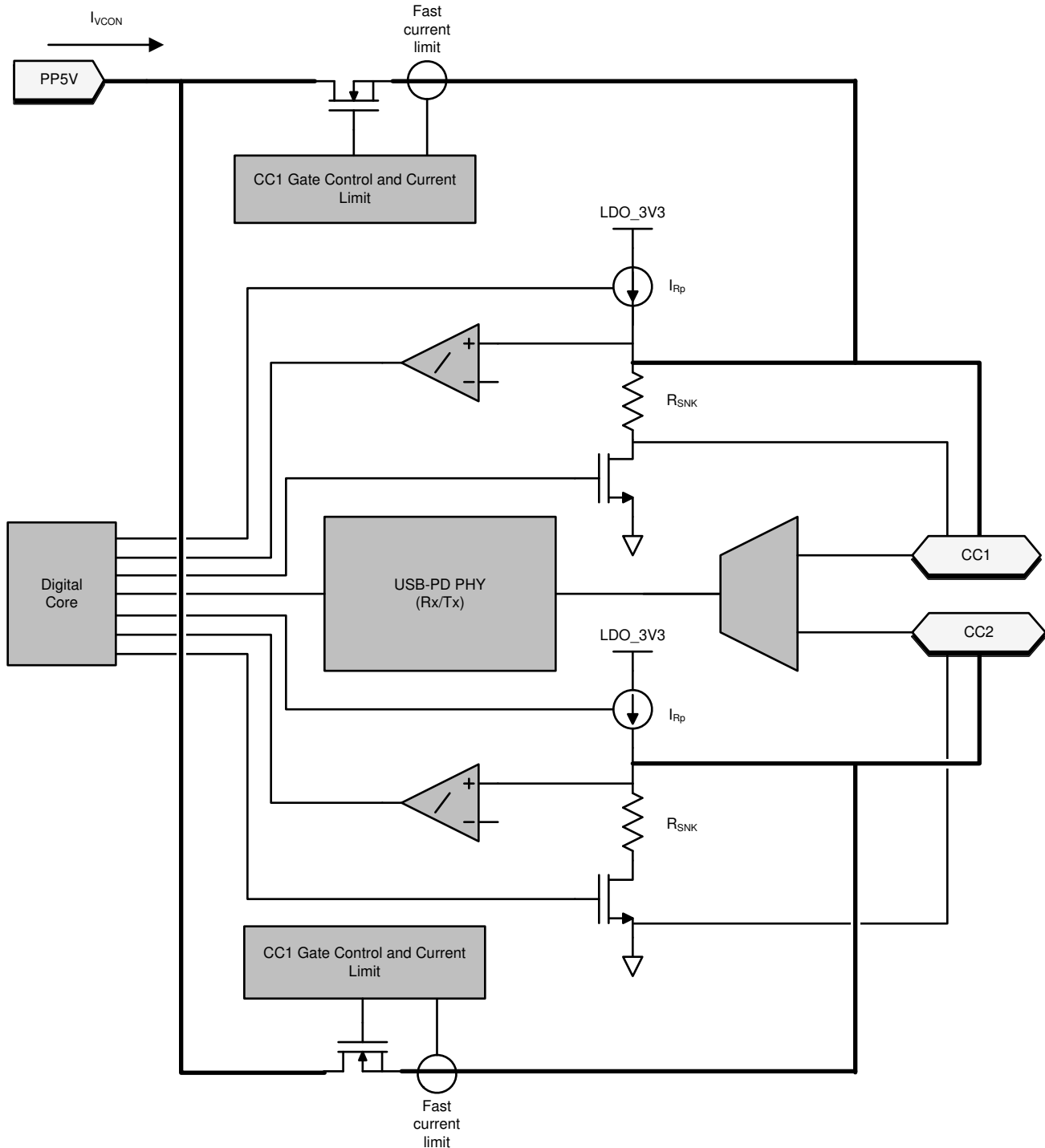
7.2 Functional Block Diagram



7.3 Feature Description

7.3.1 USB-PD Physical Layer

 7-1 shows the USB PD physical layer block surrounded by a simplified version of the analog plug and orientation detection block.



 7-1. USB-PD Physical Layer and Simplified Plug and Orientation Detection Circuitry

USB-PD messages are transmitted in a USB Type-C system using a BMC signaling. The BMC signal is output on the same pin (CC1 or CC2) that is DC biased due to the Rp (or Rd) cable attach mechanism.

7.3.1.1 USB-PD Encoding and Signaling

Figure 7-2 illustrates the high-level block diagram of the baseband USB-PD transmitter. Figure 7-3 illustrates the high-level block diagram of the baseband USB-PD receiver.

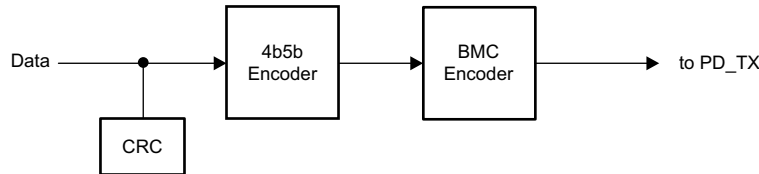


Figure 7-2. USB-PD Baseband Transmitter Block Diagram

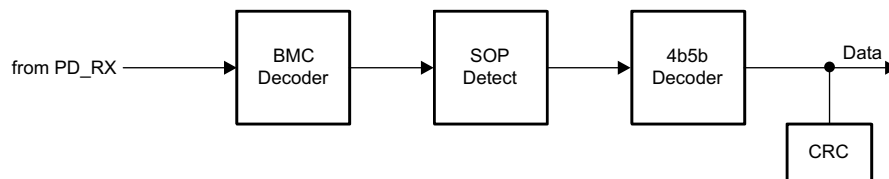


Figure 7-3. USB-PD Baseband Receiver Block Diagram

7.3.1.2 USB-PD Bi-Phase Marked Coding

The USB-PD physical layer implemented in the TPS26750 is compliant to the [USB-PD Specifications](#). The encoding scheme used for the baseband PD signal is a version of Manchester coding called Biphasic Mark Coding (BMC). In this code, there is a transition at the start of every bit time and there is a second transition in the middle of the bit cell when a 1 is transmitted. This coding scheme is nearly DC balanced with limited disparity (limited to 1/2 bit over an arbitrary packet, so a very low DC level). Figure 7-4 illustrates Biphasic Mark Coding.

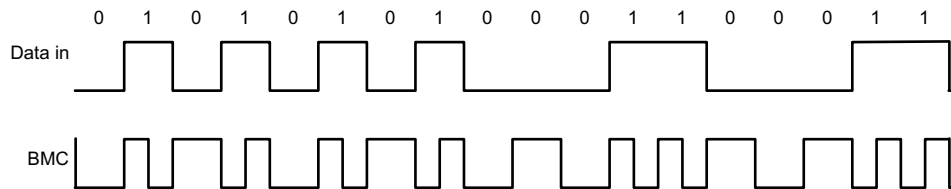


Figure 7-4. Biphasic Mark Coding Example

The USB PD baseband signal is driven onto the CC1 or CC2 pin with a tri-state driver. The tri-state driver is slew rate to limit coupling to D+/D– and to other signal lines in the Type-C fully featured cables. When sending the USB-PD preamble, the transmitter starts by transmitting a low level. The receiver at the other end tolerates the loss of the first edge. The transmitter terminates the final bit by an edge to ensure the receiver clocks the final bit of EOP.

7.3.1.3 USB-PD Transmit (TX) and Receive (Rx) Masks

The USB-PD driver meets the defined USB-PD BMC TX masks. Because a BMC coded “1” contains a signal edge at the beginning and middle of the UI, and the BMC coded “0” contains only an edge at the beginning, the masks are different for each. The USB-PD receiver meets the defined USB-PD BMC Rx masks. The boundaries of the Rx outer mask are specified to accommodate a change in signal amplitude due to the ground offset through the cable. The Rx masks are therefore larger than the boundaries of the TX outer mask. Similarly, the boundaries of the Rx inner mask are smaller than the boundaries of the TX inner mask. Triangular time masks are superimposed on the TX outer masks and defined at the signal transitions to require a minimum edge rate

that has minimal impact on adjacent higher speed lanes. The TX inner mask enforces the maximum limits on the rise and fall times. Refer to the [USB-PD Specifications](#) for more details.

7.3.1.4 USB-PD BMC Transmitter

The TPS26750 transmits and receives USB-PD data over one of the CCy pins for a given CC pin pair (one pair per USB Type-C port). The CCy pins are also used to determine the cable orientation and maintain the cable/device attach detection. Thus, a DC bias exists on the CCy pins. The transmitter driver overdrives the CCy DC bias while transmitting, but returns to a Hi-Z state, allowing the DC voltage to return to the CCy pin when it is not transmitting. While either CC1 or CC2 can be used for transmitting and receiving, during a given connection only, the one that mates with the CC pin of the plug is used, so there is no dynamic switching between CC1 and CC2. [Figure 7-5](#) shows the USB-PD BMC TX and RX driver block diagram.

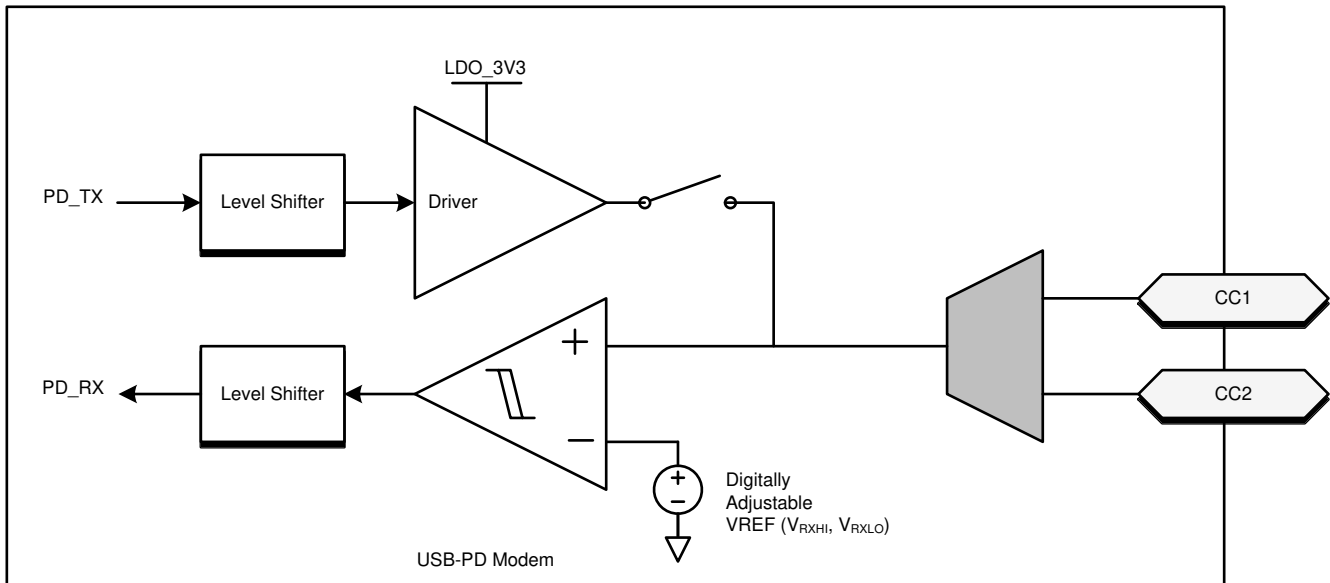


Figure 7-5. USB-PD BMC TX/Rx Block Diagram

[Figure 7-6](#) shows the transmission of the BMC data on top of the DC bias. Note that the DC bias can be anywhere between the minimum and maximum threshold for detecting a Sink attach. This note means that the DC bias can be above or below the VOH of the transmitter driver.

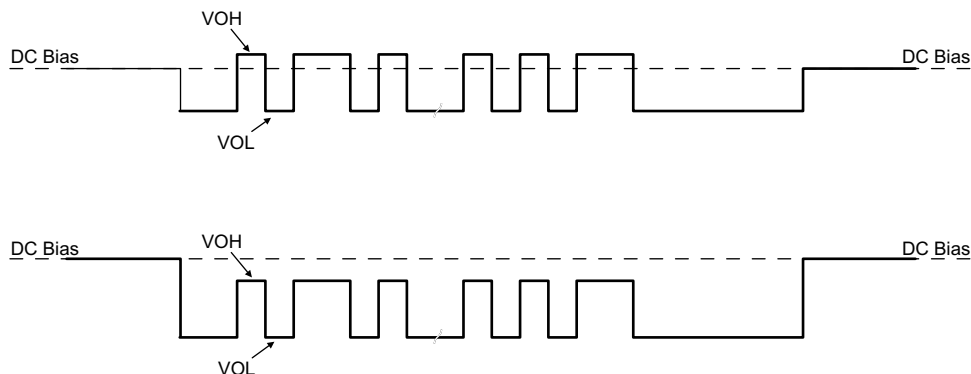
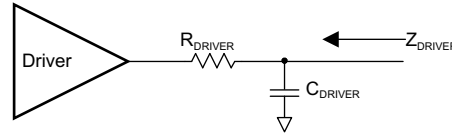


Figure 7-6. TX Driver Transmission with DC Bias

The transmitter drives a digital signal onto the CCy lines. The signal peak, V_{TXHI} , is set to meet the TX masks defined in the [USB-PD Specifications](#). Note that the TX mask is measured at the far-end of the cable.

When driving the line, the transmitter driver has an output impedance of Z_{DRIVER} . Z_{DRIVER} is determined by the driver resistance and the shunt capacitance of the source and is frequency dependent. Z_{DRIVER} impacts the noise ingress in the cable.

☒ 7-7 shows the simplified circuit determining Z_{DRIVER} . It is specified such that noise at the receiver is bounded.

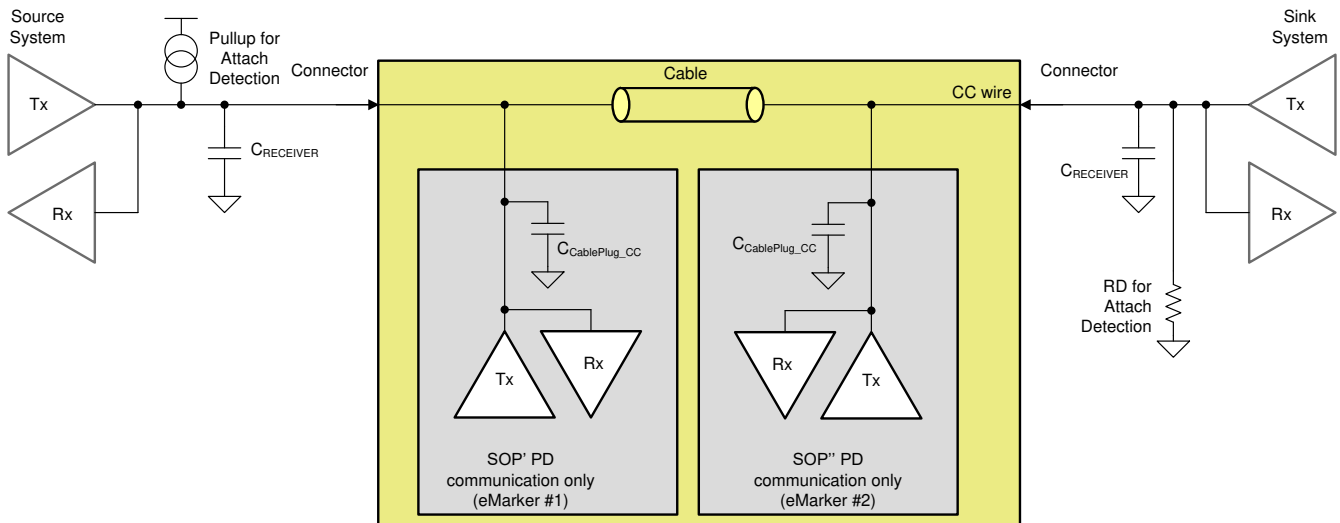


☒ 7-7. ZDRIVER Circuit

7.3.1.5 USB-PD BMC Receiver

The receiver block of the TPS26750 receives a signal that follows the allowed Rx masks defined in the USB PD specification. The receive thresholds and hysteresis come from this mask.

☒ 7-8 shows an example of a multi-drop USB-PD connection (only the CC wire). This connection has the typical Sink (device) to Source (host) connection, but also includes cable USB-PD Tx/Rx blocks. Only one system can be transmitting at a time. All other systems are Hi-Z ($Z_{BMC RX}$). The [USB-PD Specification](#) also specifies the capacitance that can exist on the wire as well as a typical DC bias setting circuit for attach detection.



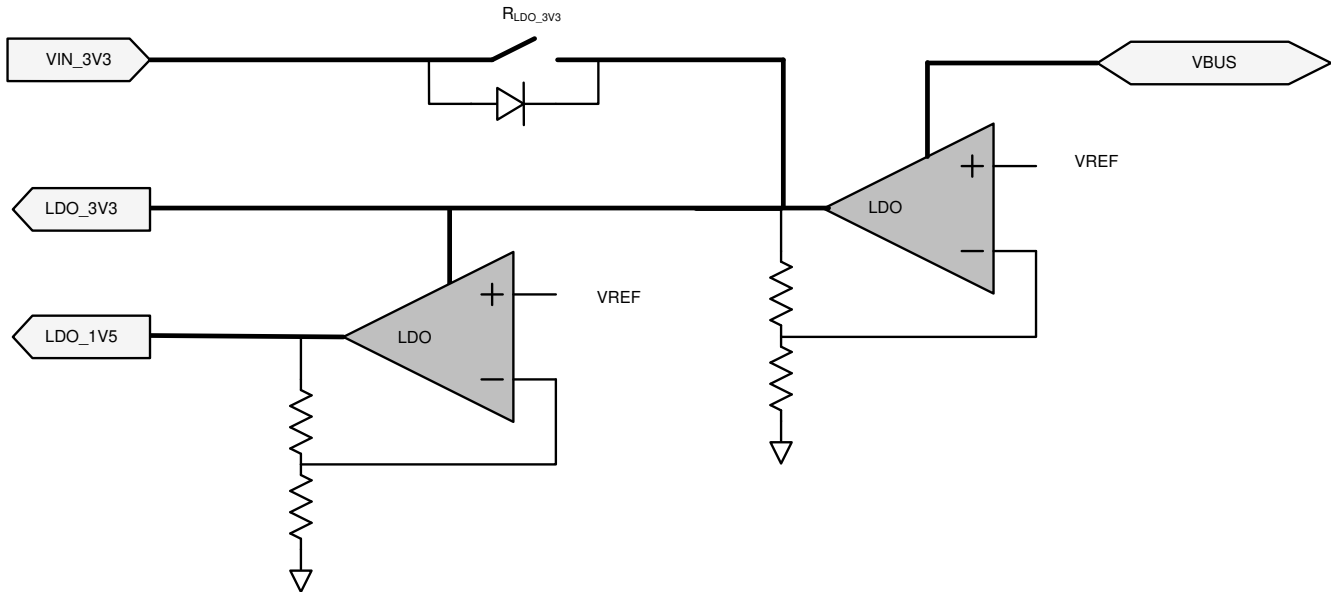
☒ 7-8. Example USB-PD Multi-Drop Configuration

7.3.1.6 Squelch Receiver

The TPS26750 has a squelch receiver to monitor for the bus idle condition as defined by the USB PD specification.

7.3.2 Power Management

The TPS26750 power management block receives power and generates voltages to provide power to the TPS26750 internal circuitry. These generated power rails are LDO_3V3 and LDO_1V5. LDO_3V3 can also be used as a low power output for external EEPROM memory. The power supply path is shown in ☒ 7-9.



7-9. Power Supplies

The TPS26750 is powered from either VIN_3V3 or VBUS. The normal power supply input is VIN_3V3. When powering from VIN_3V3, current flows from VIN_3V3 to LDO_3V3 to power the core 3.3-V circuitry and I/Os. A second LDO steps the voltage down from LDO_3V3 to LDO_1V5 to power the 1.5-V core digital circuitry. When VIN_3V3 power is unavailable and power is available on VBUS, it is referred to as the dead-battery start-up condition. In a dead-battery start-up condition, the TPS26750 opens the VIN_3V3 switch until the host clears the dead-battery flag through I²C. Therefore, the TPS26750 is powered from the VBUS input with the higher voltage during the dead-battery start-up condition and until the dead-battery flag is cleared. When powering from a VBUS input, the voltage on VBUS is stepped down through an LDO to LDO_3V3.

7.3.2.1 Power-On And Supervisory Functions

A power-on reset (POR) circuit monitors each supply. This POR allows active circuitry to turn on only when a good supply is present.

7.3.2.2 VBUS LDO

The TPS26750 contains an internal high-voltage LDO which is capable of converting VBUS to 3.3 V for powering internal device circuitry. The VBUS LDO is only used when VIN_3V3 is low (the dead-battery condition). The VBUS LDO is powered from VBUS.

7.3.3 Power Paths

The TPS26750 has internal sourcing power paths: PP_5V and PP_CABLE. Each power path is described in detail in this section.

7.3.3.1 Internal Sourcing Power Paths

7-10 shows the TPS26750 internal sourcing power paths. The path from PP5V to VBUS is called PP_5V. The path from PP5V to CCx is called PP_CABLE. Each path contains two back-to-back common drain N-FETs, with current clamping protection, overvoltage protection, UVLO protection, and temperature sensing circuitry. PP_5V can conduct up to 3 A continuously, while PP_CABLE can conduct up to 315 mA continuously. When disabled, the blocking FET protects the PP5V rail from high-voltage that can appear on VBUS.

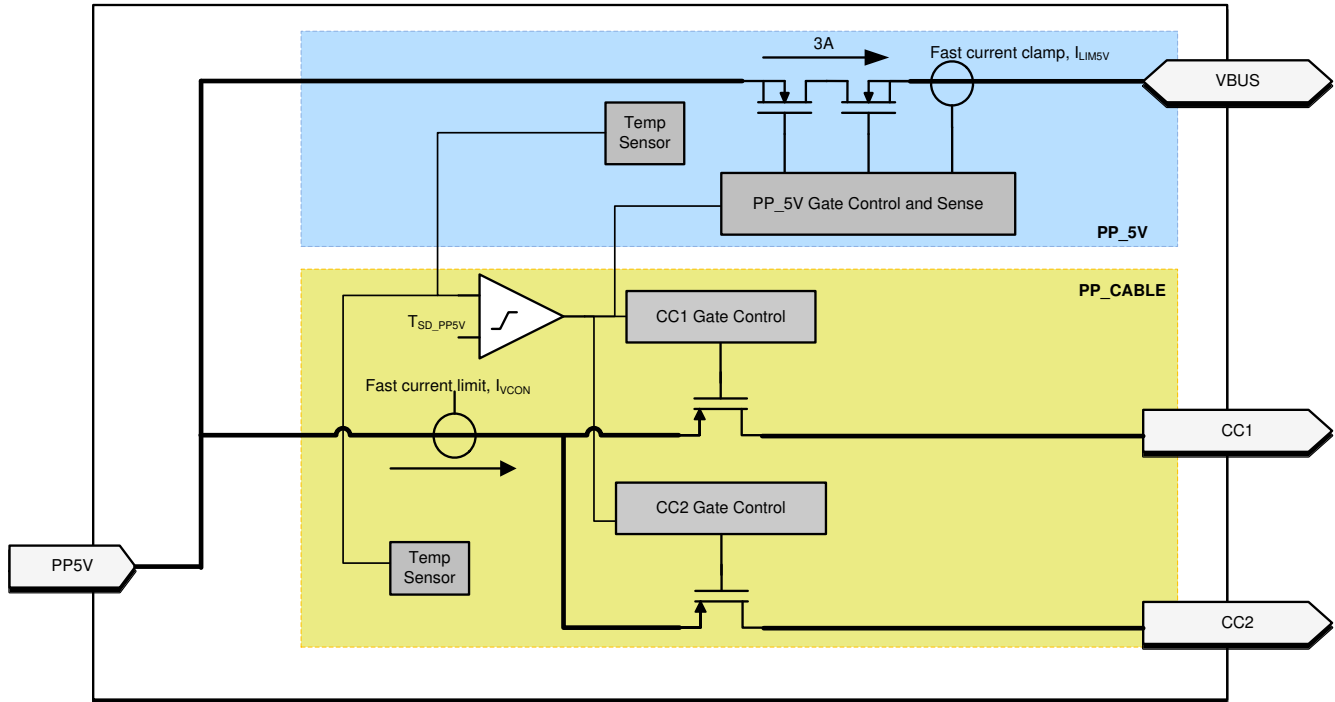


图 7-10. Port Power Switches

7.3.3.1.1 PP_5V Current Clamping

The current through the internal PP_5V path are current limited to I_{LIM5V} . The I_{LIM5V} value is configured by application firmware. When the current through the switch exceeds I_{LIM5V} , the current limiting circuit activates within $t_{OS_PP_5V}$ and the path behaves as a constant current source. If the duration of the overcurrent event exceeds t_{LIM} , the PP_5V switch is disabled.

7.3.3.1.2 PP_5V Local Overtemperature Shut Down (OTSD)

When PP_5V clamps the current, the temperature of the switch begin to increase. When the local temperature sensors of PP_5V or PP_CABLE detect that $T_J > T_{SD_PP5V}$, the PP_5V switch is disabled and the affected port enters the USB Type-C ErrorRecovery state.

7.3.3.1.3 PP_5V OVP

The overvoltage protection level is automatically configured based on the expected maximum V_{BUS} voltage, which depends upon the USB PD contract. When the voltage on the VBUS pin of a port exceeds the configured value ($V_{OVP4RCP}$) while PP_5V is enabled, then PP_5V is disabled within $t_{PP_5V_ovp}$ and the port enters into the Type-C ErrorRecovery state.

7.3.3.1.4 PP_5V UVLO

If the PP5V pin voltage falls below its undervoltage lock out threshold (V_{PP5V_UVLO}) while PP_5V is enabled, then PP_5V is disabled within $t_{PP_5V_uvlo}$ and the port that had PP_5V enabled enters into the Type-C ErrorRecovery state.

7.3.3.1.5 PP_5Vx Reverse Current Protection

If $V_{VBUS} - V_{PP5V} > V_{PP_5V_RCP}$, then the PP_5V path is automatically disabled within $t_{PP_5V_rcp}$. If the RCP condition clears, then the PP_5V path is automatically enabled within t_{ON} .

7.3.3.1.6 PP_CABLE Current Clamp

When enabled and providing VCONN power, the TPS26750 PP_CABLE power switch clamps the current to I_{VCON} . When the current through the PP_CABLE switch exceeds I_{VCON} , the current clamping circuit activates within $t_{IOS_PP_CABLE}$ and the switch behaves as a constant current source.

7.3.3.1.7 PP_CABLE Local Overtemperature Shut Down (OTSD)

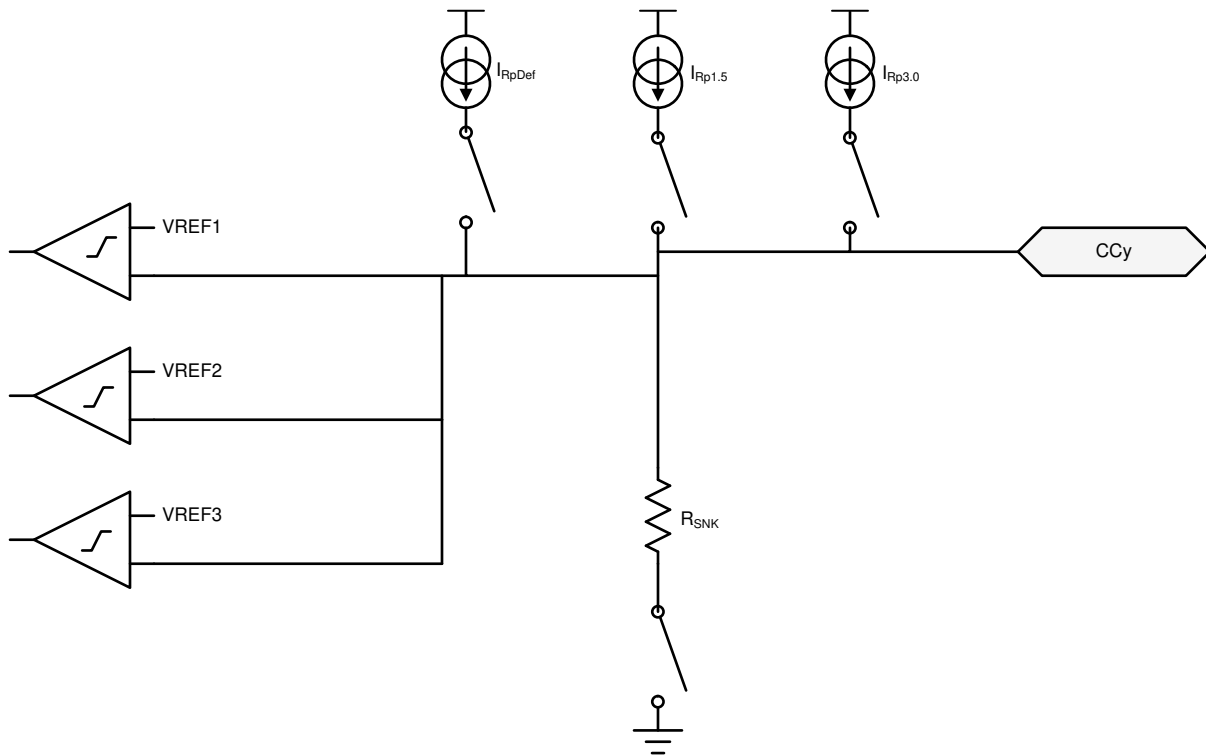
When PP_CABLE clamps the current, the temperature of the switch begins to increase. When the local temperature sensors of PP_5V or PP_CABLE detect that $T_J > T_{SD_PP5V}$, the PP_CABLE switch is disabled and latched off within $t_{PP_CABLE_off}$. The port then enters the USB Type-C ErrorRecovery state.

7.3.3.1.8 PP_CABLE UVLO

If the PP5V pin voltage falls below its undervoltage lock out threshold (V_{PP5V_UVLO}), then the PP_CABLE switch is automatically disabled within $t_{PP_CABLE_off}$.

7.3.4 Cable Plug and Orientation Detection

☒ 7-11 shows the plug and orientation detection block at each CCy pin (CC1, CC2). Each pin has identical detection circuitry.



☒ 7-11. Plug and Orientation Detection Block

7.3.4.1 Configured as a Source

When configured as a source, the TPS26750 detects when a cable or a Sink is attached using the CC1 and CC2 pins. When in a disconnected state, the TPS26750 monitors the voltages on these pins to determine what, if anything, is connected. See [USB Type-C Specification](#) for more information.

表 7-1 shows the Cable Detect States for a Source.

表 7-1. Cable Detect States for a Source

CC1	CC2	CONNECTION STATE	RESULTING ACTION
Open	Open	Nothing attached	Continue monitoring both CCy pins for attach. Power is not applied to VBUS or VCONN.
Rd	Open	Sink attached	Monitor CC1 for detach. Power is applied to VBUS but not to VCONN (CC2).
Open	Rd	Sink attached	Monitor CC2 for detach. Power is applied to VBUS but not to VCONN (CC1).
Ra	Open	Powered Cable-No UFP attached	Monitor CC2 for a Sink attach and CC1 for cable detach. Power is not applied to VBUS or VCONN (CC1).
Open	Ra	Powered Cable-No UFP attached	Monitor CC1 for a Sink attach and CC2 for cable detach. Power is not applied to VBUS or VCONN (CC1).
Ra	Rd	Powered Cable-UFP Attached	Provide power on VBUS and VCONN (CC1) then monitor CC2 for a Sink detach. CC1 is not monitored for a detach.
Rd	Ra	Powered Cable-UFP attached	Provide power on VBUS and VCONN (CC2) then monitor CC1 for a Sink detach. CC2 is not monitored for a detach.
Rd	Rd	Debug Accessory Mode attached	Sense either CCy pin for detach.
Ra	Ra	Audio Adapter Accessory Mode attached	Sense either CCy pin for detach.

When a TPS26750 port is configured as a Source, a current I_{RpDef} is driven out each CCy pin and each pin is monitored for different states. When a Sink is attached to the pin, a pulldown resistance of R_d to GND exists. The current I_{RpDef} is then forced across the resistance R_d , generating a voltage at the CCy pin. The TPS26750 applies I_{RpDef} until it closes the switch from PP5V to VBUS, at which time application firmware can change to $I_{Rp1.5A}$ or $I_{Rp3.0A}$.

When the CCy pin is connected to an active cable VCONN input, the pulldown resistance is different (R_a). In this case, the voltage on the CCy pin lowers the PD controller recognizes it as an active cable.

The voltage on CCy is monitored to detect a disconnection depending upon which R_p current source is active. When a connection has been recognized and the voltage on CCy subsequently rises above the disconnect threshold for t_{CC} , the system registers a disconnection.

7.3.4.2 Configured as a Sink

When a TPS26750 port is configured as a Sink, the TPS26750 presents a pulldown resistance R_{SNK} on each CCy pin and waits for a Source to attach and pull up the voltage on the pin. The Sink detects an attachment by the presence of VBUS and determines the advertised current from the Source based on the voltage on the CCy pin.

7.3.4.3 Configured as a DRP

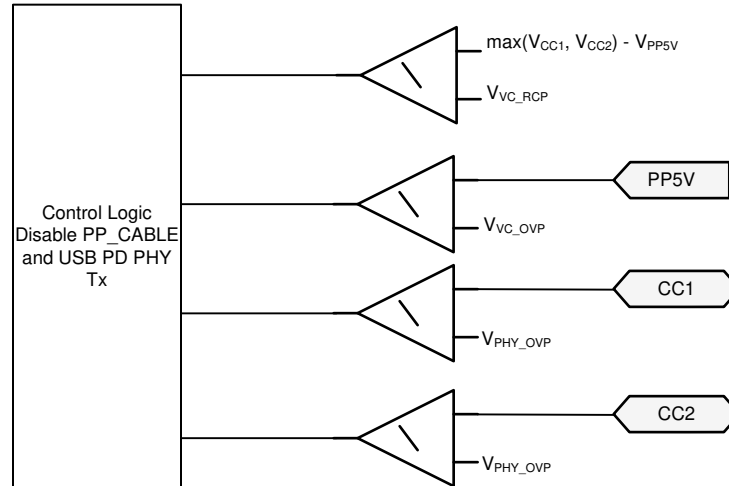
When a TPS26750 port is configured as a DRP, the TPS26750 alternates the CCy pins of the port between the pulldown resistance, R_{SNK} , and pullup current source, I_{Rp} .

7.3.4.4 Dead Battery Advertisement

The TPS26750 supports booting from no-battery or dead-battery conditions by receiving power from VBUS. Type-C USB ports require a sink to present R_d on the CC pin before a USB Type-C source provides a voltage on VBUS. TPS26750 hardware is configured to present this R_d during a dead-battery or no-battery condition. Additional circuitry provides a mechanism to turn off this R_d once the device no longer requires power from VBUS.

7.3.5 Overvoltage Protection (CC1, CC2)

The TPS26750 detects when the voltage on the CC1 or CC2 pin is too high or there is reverse current into the PP5V pin and takes action to protect the system. The protective action is to disable PP_CABLE within $t_{PP_CABLE_FSD}$ and disable the USB PD transmitter.



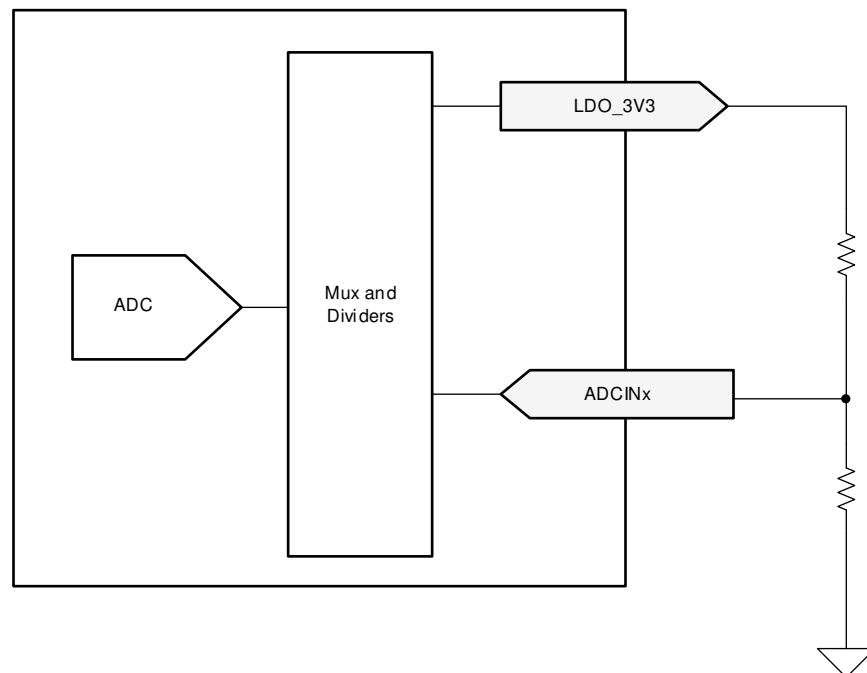
7-12. Overvoltage and Reverse Current Protection for CC1 and CC2

7.3.6 Default Behavior Configuration (ADCIN1, ADCIN2)

注

This functionality is firmware controlled and subject to change.

The ADCINx inputs to the internal ADC control the behavior of the TPS26750 in response to VBUS being supplied when VIN_3V3 is low (that is the dead-battery scenario). The ADCINx pins must be externally tied to the LDO_3V3 pin via a resistive divider as shown in the following figure. At power-up the ADC converts the ADCINx voltage and the digital core uses these two values to determine start-up behavior. The available start-up configurations include options for I²C target address of I2Ct_SCL/SDA, sink path control in dead-battery, and default configuration.



7-13. ADCINx Resistor Divider

The device behavior is determined in several ways depending upon the decoded value of the ADCIN1 and ADCIN2 pins. The following table shows the decoded values for different resistor divider ratios. See [Pin Strapping to Configure Default Behavior](#) for details on how the ADCINx configurations determine default device behavior. See [I²C Address Setting](#) for details on how ADCINx decoded values affects default I²C target address.

表 7-2. Decoding of ADCIN1 and ADCIN2 Pins

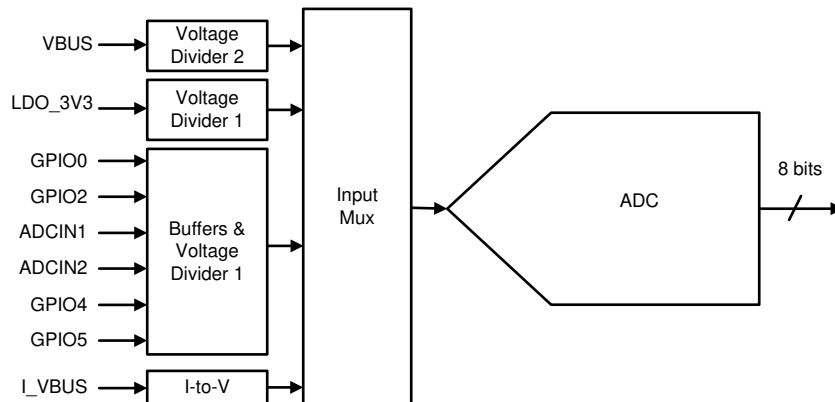
DIV = R _{DOWN} / (R _{UP} + R _{DOWN}) ⁽¹⁾			Without Using R _{UP} or R _{DOWN}	ADCINx Decoded Value ⁽²⁾
MIN	Target	MAX		
0	0.0114	0.0228	tie to GND	0
0.0229	0.0475	0.0722	N/A	1
0.0723	0.1074	0.1425	N/A	2
0.1425	0.1899	0.2372	N/A	3
0.2373	0.3022	0.3671	N/A	4
0.3672	0.5368	0.7064	tie to LDO_1V5	5
0.7065	0.8062	0.9060	N/A	6
0.9061	0.9530	1.0	tie to LDO_3V3	7

(1) See [I²C Address Setting](#) to see the exact meaning of I²C Address Index.

(2) See [Pin Strapping to Configure Default Behavior](#) for how to configure a given ADCINx decoded value.

7.3.7 ADC

The TPS26750 ADC is shown in [図 7-14](#). The ADC is an 8-bit successive approximation ADC. The input to the ADC is an analog input mux that supports multiple inputs from various voltages and currents in the device. The output from the ADC is available to be read and used by application firmware.



Copyright © 2018, Texas Instruments Incorporated

図 7-14. SAR ADC

7.3.8 BC 1.2 (USB_P, USB_N)

The TPS26750 supports BC 1.2 as a Portable Device or Downstream Port using the hardware shown in [図 7-15](#).

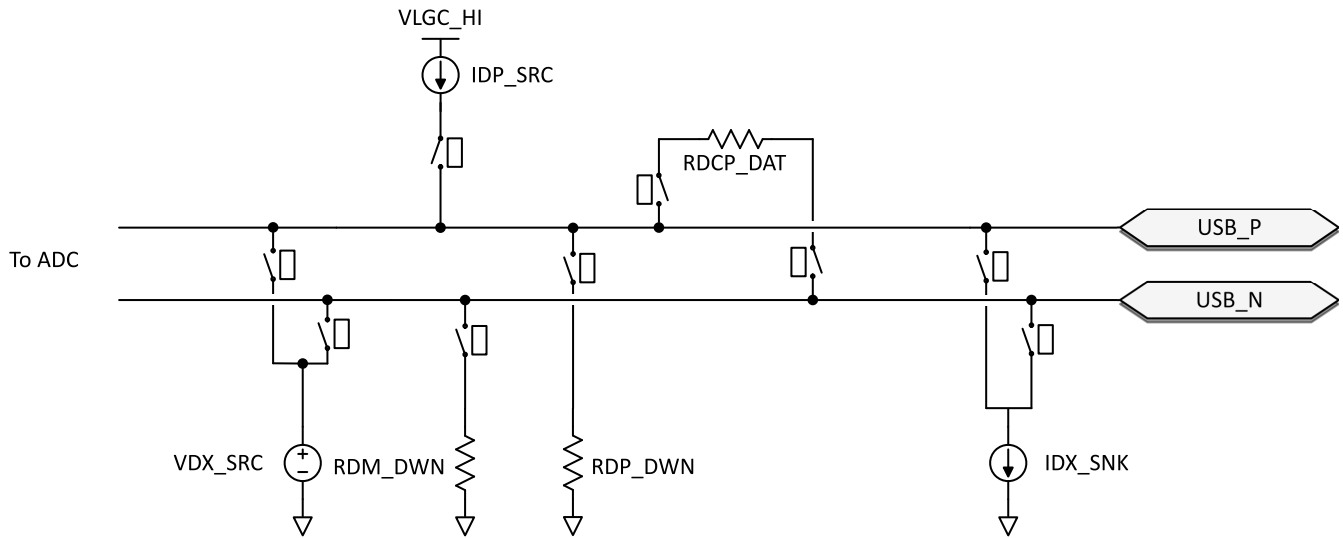


図 7-15. BC1.2 Hardware Components

7.3.9 Digital Interfaces

The TPS26750 contains several different digital interfaces which can be used for communicating with other devices. The available interfaces include one I²C controller, one I2C target and additional GPIOs.

7.3.9.1 General GPIO

GPIO pins can be mapped to USB Type-C, USB PD, and application-specific events to control other ICs, interrupt a host processor, or receive input from another IC. This buffer is configurable to be a push-pull output, a weak push-pull, or open drain output. When configured as an input, the signal can be a de-glitched digital input. The push-pull output is a simple CMOS output with independent pull-down control allowing open-drain connections. The weak push-pull is also a CMOS output, but with GPIO_RPU resistance in series with the drain. The supply voltage to the output buffer is LDO_3V3 and LDO_1V5 to the input buffer. When interfacing with non 3.3-V I/O devices the output buffer can be configured as an open drain output and an external pull-up resistor attached to the GPIO pin. The pull-up and pull-down output drivers are independently controlled from the input and are enabled or disabled via application code in the digital core.

表 7-3. GPIO Functionality Table

PIN NAME	TYPE	SPECIAL FUNCTIONALITY
GPIO0	I/O	General-purpose input or output
GPIO1	I/O	General-purpose input or output
GPIO2	I/O	General-purpose input or output
GPIO3	I/O	General-purpose input or output
GPIO4	I/O	D+, general-purpose input or output, or LD1 for Liquid Detection
GPIO5	I/O	D-, general-purpose input or output, or LD2 for Liquid Detection
GPIO6	I/O	General-purpose input or output
GPIO7	I/O	General-purpose input or output
I2Ct_IRQ(GPIO10)	O	IRQ for optional I2Ct, or used as a general-purpose output
GPIO11	O	General-purpose output
I2Cc_IRQ(GPIO12)	I	IRQ for I2Cc, or used as a general-purpose input

7.3.9.2 I²C Interface

The TPS26750 features two I²C interfaces that uses an I²C I/O driver like the one shown in 図 7-16. This I/O consists of an open-drain output and an input comparator with de-glitching.

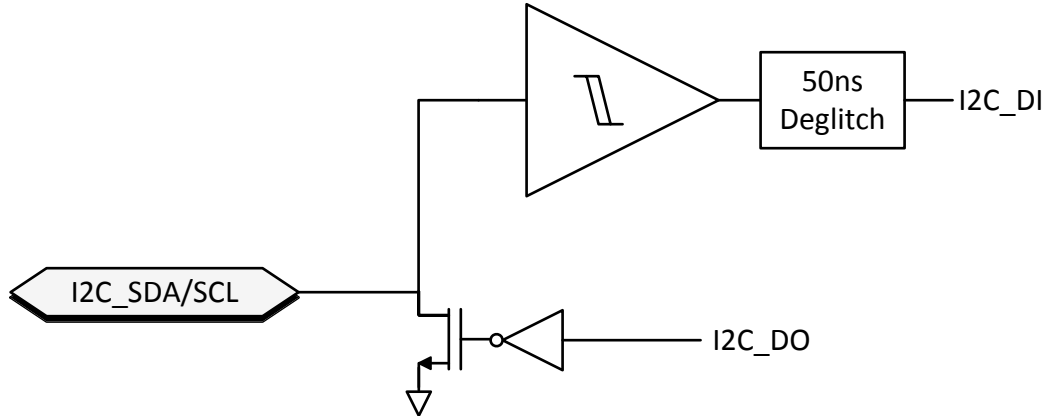


図 7-16. I²C Buffer

7.3.10 Digital Core

図 7-17 shows a simplified block diagram of the digital core.

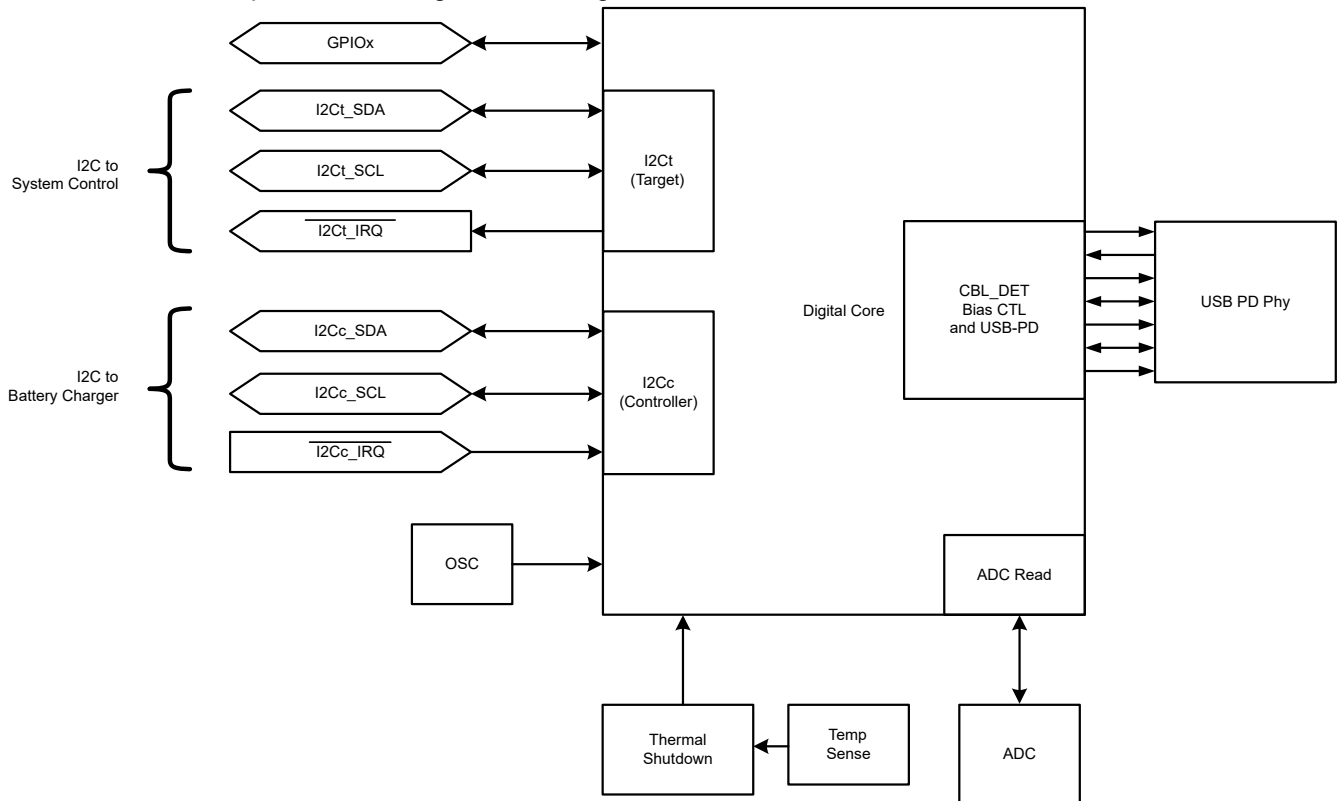


図 7-17. Digital Core Block Diagram

7.3.11 I²C Interface

The TPS26750 has one I²C target interface ports: I2Ct. I2C port I2Ct is comprised of the I2Ct_SDA, I2Ct_SCL, and I2Ct_IRQ pins. This interface provide general status information about the TPS26750, as well as the ability to control the TPS26750 behavior, supporting communications to/from a connected device and/or cable supporting BMC USB-PD, and providing information about connections detected at the USB-C receptacle.

When the TPS26750 is in 'APP' mode TI recommends to use standard mode or Fast mode (that is a clock speed no higher than 400 kHz). However, in the BOOT mode when a patch bundle is loaded Fast Mode Plus can be used (see fSCLS).

The TPS26750 has one I²C controller interface port. I²C is comprised of the I2C_SDA and I2C_SCL pins. This interface can be used to read from or write to external target devices.

During boot, the TPS26750 attempts to read patch and Application Configuration data from an external EEPROM with a 7-bit target address of 0x50. The EEPROM must be at least 36 kilo-bytes.

表 7-4. I²C Summary

I ² C BUS	TYPE	TYPICAL USAGE
I2Ct	Target	Optionally can be connected to an external MCU. Also used to load the patch and application configuration.
I2Cc	Controller	Connect to a I ² C EEPROM, Battery Charger. Use the LDO_3V3 pin as the pullup voltage. Multi-controller configuration is not supported.

7.3.11.1 I²C Interface Description

The TPS26750 supports Standard and Fast mode I²C interfaces. The bidirectional I²C bus consists of the serial clock (SCL) and serial data (SDA) lines. Both lines must be connected to a supply through a pullup resistor. Data transfer can be initiated only when the bus is not busy.

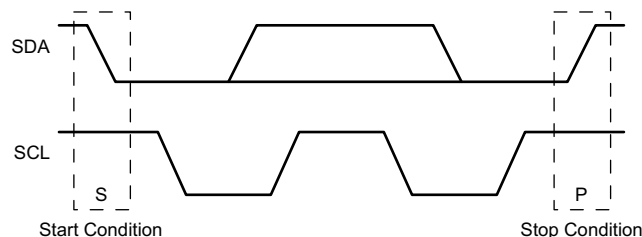
A controller sending a Start condition, a high-to-low transition on the SDA input and output, while the SCL input is high initiates I²C communication. After the Start condition, the device address byte is sent, most significant bit (MSB) first, including the data direction bit (R/W).

After receiving the valid address byte, this device responds with an acknowledge (ACK), a low on the SDA input/output during the high of the ACK-related clock pulse. On the I²C bus, only one data bit is transferred during each clock pulse. The data on the SDA line must remain stable during the high pulse of the clock period as changes in the data line at this time are interpreted as control commands (Start or Stop). The controller sends a Stop condition, a low-to-high transition on the SDA input and output while the SCL input is high.

Any number of data bytes can be transferred from the transmitter to receiver between the Start and the Stop conditions. Each byte of eight bits is followed by one ACK bit. The transmitter must release the SDA line before the receiver can send an ACK bit. The device that acknowledges must pull down the SDA line during the ACK clock pulse, so that the SDA line is stable low during the high pulse of the ACK-related clock period. When a target receiver is addressed, it must generate an ACK after each byte is received. Similarly, the controller must generate an ACK after each byte that it receives from the target transmitter. Setup and hold times must be met to ensure proper operation.

A controller receiver signals an end of data to the target transmitter by not generating an acknowledge (NACK) after the last byte has been clocked out of the target. The controller receiver holding the SDA line high does this. In this event, the transmitter must release the data line to enable the controller to generate a Stop condition.

☒ 7-18 shows the start and stop conditions of the transfer. ☒ 7-19 shows the SDA and SCL signals for transferring a bit. ☒ 7-20 shows a data transfer sequence with the ACK or NACK at the last clock pulse.



☒ 7-18. I²C Definition of Start and Stop Conditions

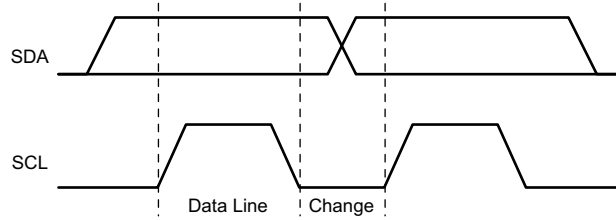


図 7-19. I²C Bit Transfer

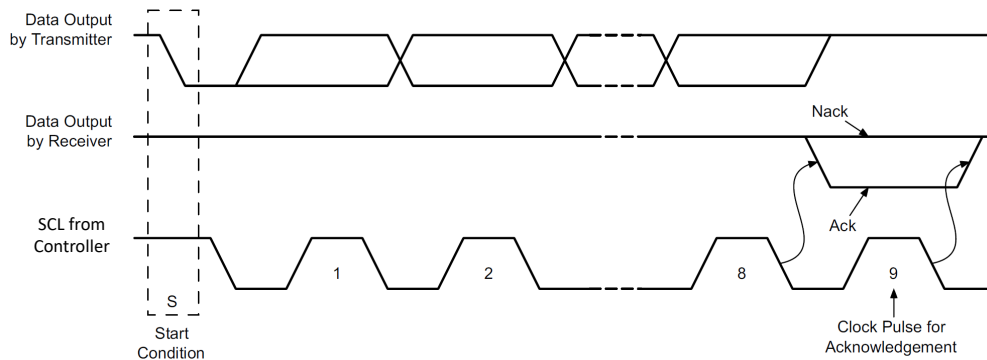


図 7-20. I²C Acknowledgment

7.3.11.1.1 I²C Clock Stretching

The TPS26750 features clock stretching for the I²C protocol. The TPS26750 target I²C port can hold the clock line (SCL) low after receiving (or sending) a byte, indicating that it is not yet ready to process more data. The controller communicating with the target must not finish the transmission of the current bit and must wait until the clock line actually goes high. When the target is clock stretching, the clock line remains low.

The controller must wait until it observes the clock line transitioning high plus an additional minimum time (4 μ s for standard 100-kbps I²C) before pulling the clock low again.

Any clock pulse can be stretched but typically it is the interval before or after the acknowledgment bit.

7.3.11.1.2 I²C Address Setting

The I²C controller must only use I2Ct_SCL/SDA for loading a patch bundle.

Once the boot process is complete, the port has a unique target address on the I2Ct_SCL/SDA bus as selected by the ADCINx pins.

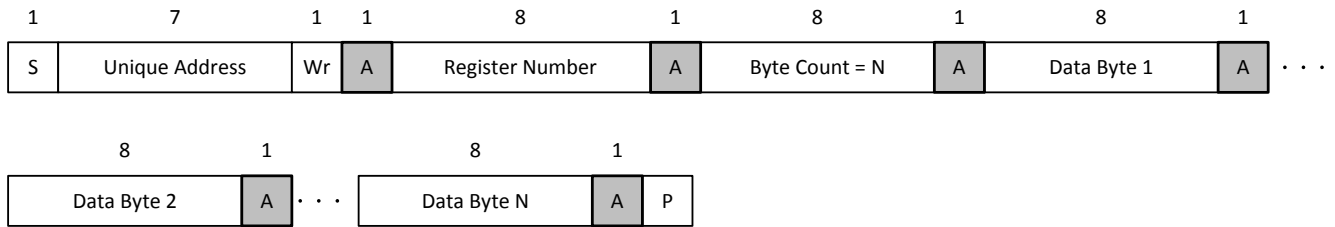
表 7-5. I²C Default Target Address for I2Ct_SCL/SDA.

I ² C ADDRESS INDEX (DECODED FROM ADCIN1 AND ADCIN2) ⁽¹⁾	TARGET ADDRESS								AVAILABLE DURING BOOT
	BIT 7	BIT 6	BIT 5	BIT 4	BIT 3	BIT 2	BIT 1	BIT 0	
#1	0	1	0	0	0	0	0	R/W	Yes
#2	0	1	0	0	0	0	1	R/W	Yes
#3	0	1	0	0	0	1	0	R/W	Yes
#4	0	1	0	0	0	1	1	R/W	Yes

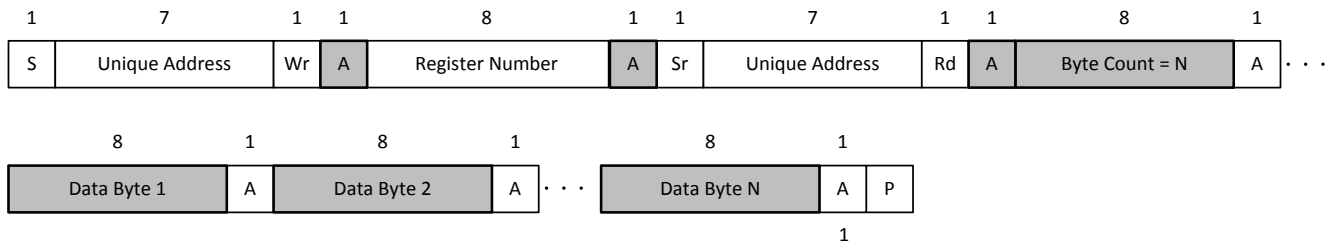
(1) See [Pin Strapping to Configure Default Behavior](#) details about ADCIN1 and ADCIN2 decoding.

7.3.11.1.3 Unique Address Interface

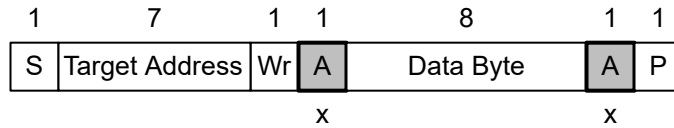
The Unique Address Interface allows for complex interaction between an I²C controller and a single TPS26750. The I²C target sub-address is used to receive or respond to Host Interface protocol commands. [図 7-21](#) and [図 7-22](#) show the write and read protocol for the I²C target interface, and a key is included in [図 7-23](#) to explain the terminology used. The key to the protocol diagrams is in the SMBus Specification and is repeated here in part.



☒ 7-21. I²C Unique Address Write Register Protocol



☒ 7-22. I²C Unique Address Read Register Protocol



- S Start condition
- SR Repeated start condition
- Rd Read (bit value of 1)
- Wr Write (bit value of 0)
- X Field is required to have the value x
- A Acknowledge (this bit position may be 0 for an ACK or 1 for a NACK)
- P Stop condition

- Controller-to-target
- Target-to-controller

• • • Continuation of protocol

☒ 7-23. I²C Read/Write Protocol Key

7.4 Device Functional Modes

7.4.1 Pin Strapping to Configure Default Behavior

During the boot procedure, the device reads the ADCINx pins and set the configurations based on the table below. The device then attempts to load a configuration from an external EEPROM on the I2Cc bus. If no EEPROM is detected, then the device waits for an external host to load a configuration.

When an external EEPROM is used, each device is connected to a unique EEPROM, and cannot be shared for multiple devices. The external EEPROM is set at 7-bit target address 0x50.

表 7-6. Device Configuration using ADCIN1 and ADCIN2

ADCIN1 DECODED VALUE ⁽²⁾	ADCIN2 DECODED VALUE ⁽²⁾	I ² C ADDRESS INDEX ⁽¹⁾	DEAD BATTERY CONFIGURATION
7	5	#1	AlwaysEnableSink: The device always enables the sink path regardless of the amount of current the attached source is offering. USB PD is disabled until configuration is loaded. This configuration is used with an external embedded controller. The embedded controller manages the battery charger in the system when present.
5	5	#2	
2	0	#3	
1	7	#4	
7	3	#1	NegotiateHighVoltage: The device always enables the sink path during the initial implicit contract regardless of the amount of current the attached source is offering. The PD controller enters the 'APP' mode, enable USB PD PHY and negotiate a contract for the highest power contract that is offered up to 20 V. The configuration cannot be used when a patch is loaded from EEPROM. This option is not recommended for systems that can boot from 5 V. This configuration is not valid to use with any supported battery chargers.
3	3	#2	
4	0	#3	
3	7	#4	
7	0	#1	SafeMode: The device does not enable the sink path. USB PD is disabled until configuration is loaded. Note that the configuration can put the device into a source-only mode. This is recommended when the application loads the patch from EEPROM. This configuration is recommended when the PD controller manages the battery charger when present.
0	0	#2	
6	0	#3	
5	7	#4	

- (1) See 表 7-5 to see the exact meaning of I²C Address Index.
 (2) See 表 7-2 for how to configure a given ADCINx decoded value.

7.4.2 Power States

The TPS26750 can operate in one of three different power states: Active, Idle, or Sleep. The Modern Standby mode is a special case of the Idle mode. The functionality available in each state is summarized in 表 7-7. The device automatically transitions between the three power states based on the circuits that are active and required. See 図 7-24. In the Sleep state, the TPS26750 detects a Type-C connection. Transitioning between the Active mode to Idle mode requires a period of time (T) without any of the following activity:

- Incoming USB PD message
- Change in CC status
- GPIO input event
- I²C transactions
- Voltage alert
- Fault alert

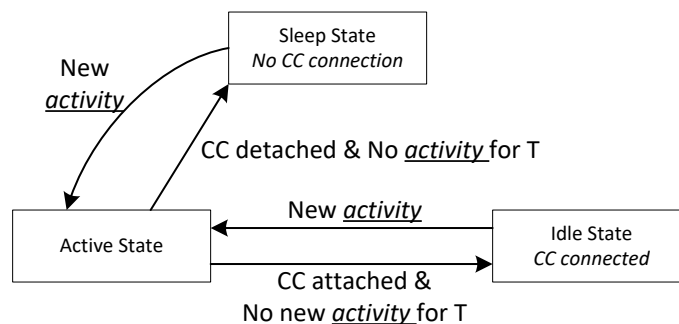


図 7-24. Flow Diagram for Power States

表 7-7. Power Consumption States

	ACTIVE SOURCE MODE⁽¹⁾	ACTIVE SINK MODE⁽⁵⁾	IDLE SOURCE MODE	IDLE SINK MODE	MODERN STANDBY SOURCE MODE⁽³⁾	MODERN STANDBY SINK MODE⁽⁴⁾	SLEEP MODE⁽²⁾
PP_5V	enabled	disabled	enabled	disabled	enabled	disabled	disabled
PP_CABLE	enabled	enabled	enabled	enabled	disabled	disabled	disabled
external CC1 termination	Rd	Rp 3.0A	Rd	Rp 3.0A	open	open	open
external CC2 termination	open	open	open	open	open	open	open

- (1) This mode is used for: $I_{VIN_3V3,ActSrc}$
- (2) This mode is used for: $I_{VIN_3V3,Sleep}$
- (3) This mode is used for: $P_{MstbySrc}$
- (4) This mode is used for: $P_{MstbySnk}$
- (5) This mode is used for: $I_{VIN_3V3,ActSnk}$

7.5 Thermal Shutdown

The TPS26750 features a central thermal shutdown as well as independent thermal sensors for each internal power path. The central thermal shutdown monitors the overall temperature of the die and disables all functions except for supervisory circuitry when die temperature goes above a rising temperature of T_{SD_MAIN} . The temperature shutdown has a hysteresis of T_{SDH_MAIN} and when the temperature falls back below this value, the device resumes normal operation.

The power path thermal shutdown monitors the temperature of each internal PP5V-to-VBUS power path and disables both power paths and the VCONN power path when either exceeds T_{SD_PP5V} . Once the temperature falls by at least T_{SDH_PP5V} , the path can be configured to resume operation or remain disabled until re-enabled by firmware.

8 Application and Implementation

注

以下のアプリケーション情報は、TI の製品仕様に含まれるものではなく、TI ではその正確性または完全性を保証いたしません。個々の目的に対する製品の適合性については、お客様の責任で判断していただくこととなります。お客様は自身の設計実装を検証しテストすることで、システムの機能を確認する必要があります。

8.1 Application Information

The TPS26750 is a stand-alone Type-C PD controller for power-only USB-PD applications. Initial device configuration is configured from an external EEPROM through a firmware configuration bundle loaded on to the device during boot. The bundle is loaded over I²C from an external EEPROM. The TPS26750 firmware configuration can be customized for each specific application. The firmware configuration can be generated through the Web Tool.

The TPS26750 is ideal for single port power applications supporting the following PD architectures.

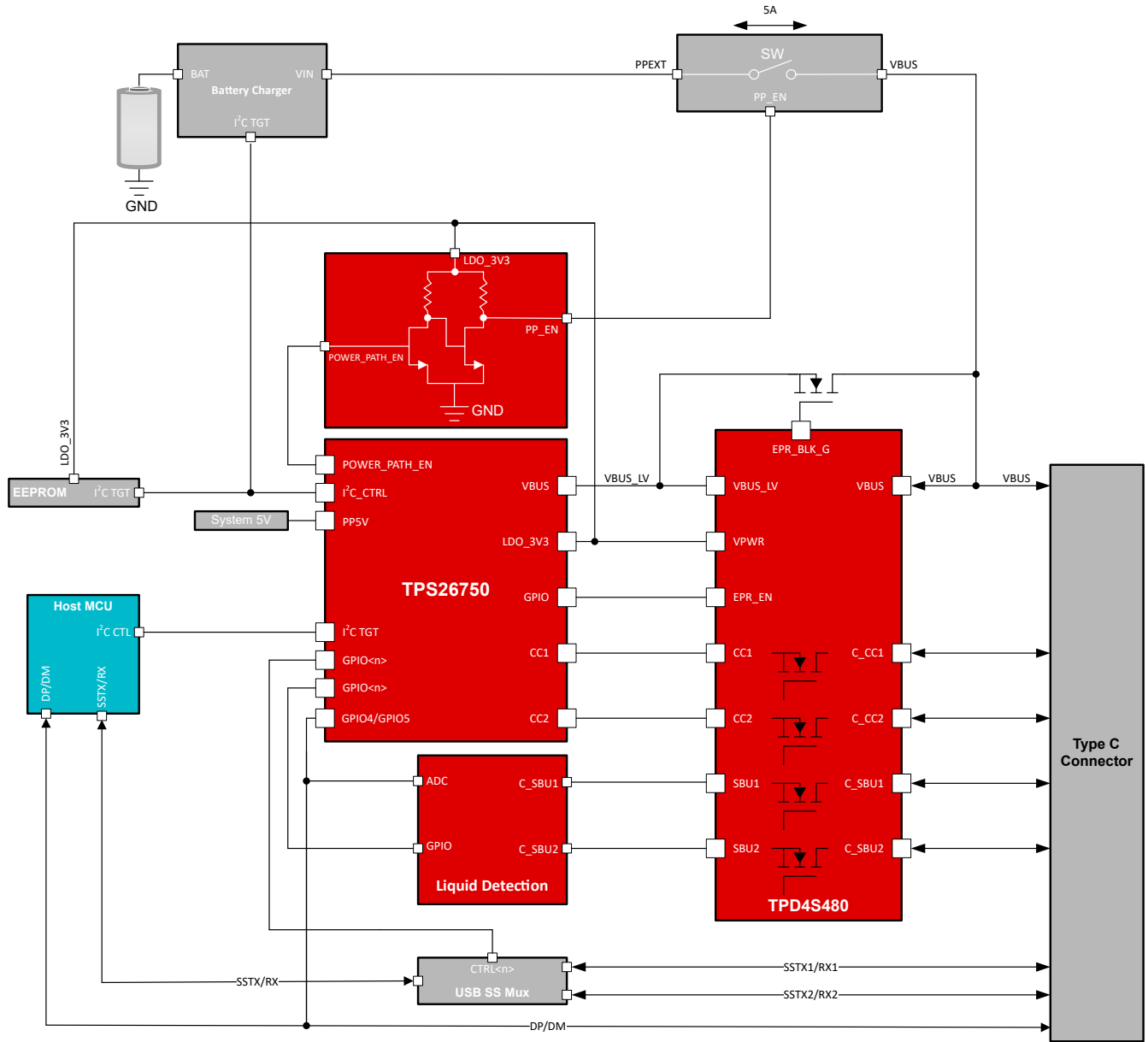
- Designs for both Power Provider (Source) and Power Consumer (Sink)
- Designs for Power Consumer (Sink)

An external EEPROM is required to download a pre-configured firmware on the TPS26750 device through the I²C interface.

The TPS26750 firmware can be configured using the Web Tool for the application-specific PD charging architecture requirements and data roles. The tool also provides additional optional firmware configuration that integrates control for select Battery Charger Products (BQ). The TPS26750 I²C controller interfaces with the Battery Chargers with pre-configured GPIO settings and I²C controller events. The Application Customization Tool available with the TPS26750 provides details of the supported Battery Charger Products (BQ).

8.2 Typical Application

The following show the block diagrams for various applications. Note that some of these features are GPIO usage dependent.



8-1. TPS26750 Battery Charger and Full System Block Diagram

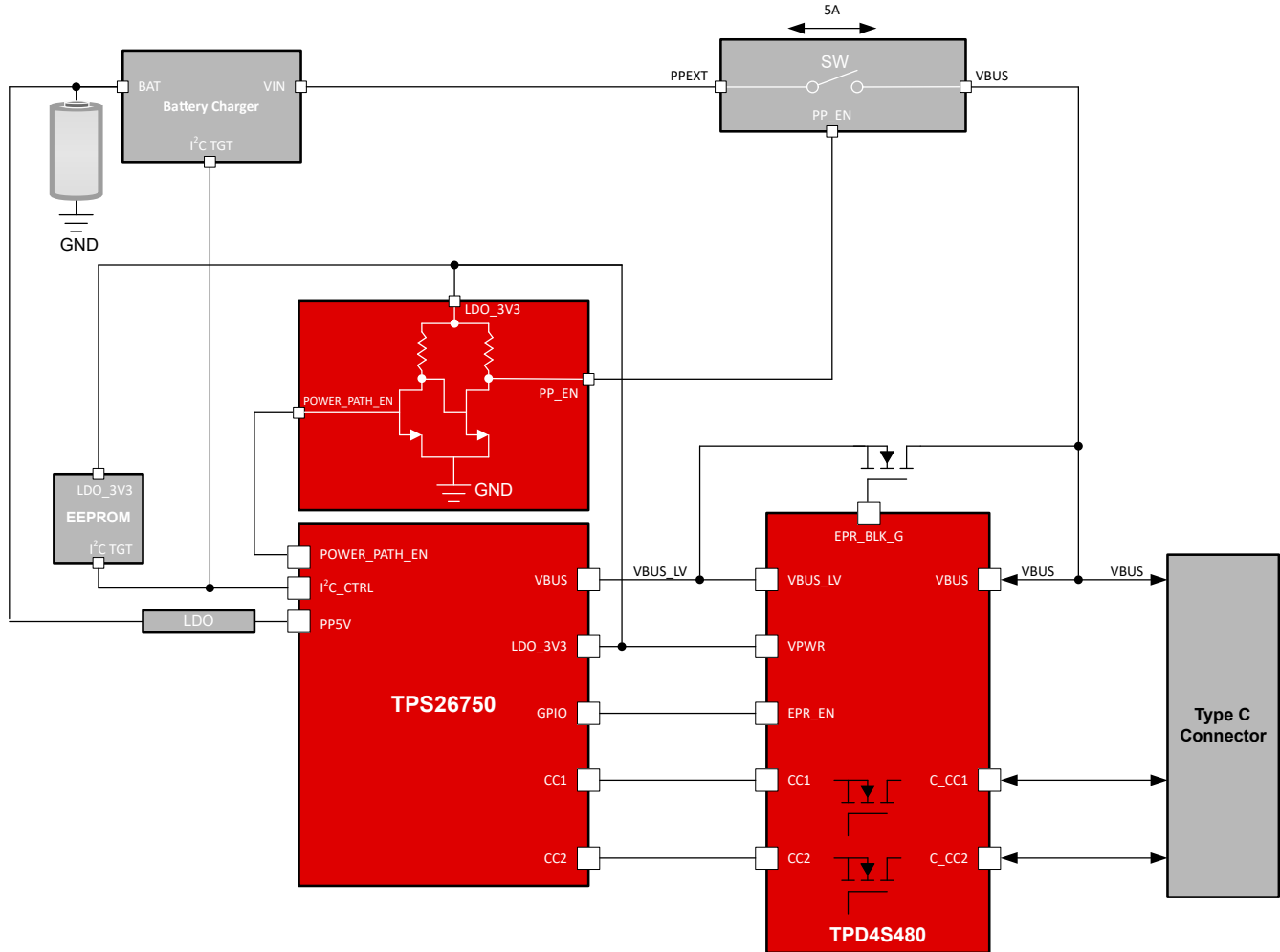


図 8-2. TPS26750 Battery Charger System Block Diagram

8.2.1 Design Requirements

8.2.1.1 Programmable Power Supply (PPS) - Design Requirements

Programmable Power Supply (PPS) defines a specific voltage and current (Augmented Power Data Object) that is used in direct charging applications. A PPS source needs to meet the source voltage and current resolution required for direct charging applications. A PPS sink requests the voltage and current required for direct charging within the capabilities of PPS source.

表 8-1. PPS Source 60W/100W Requirements

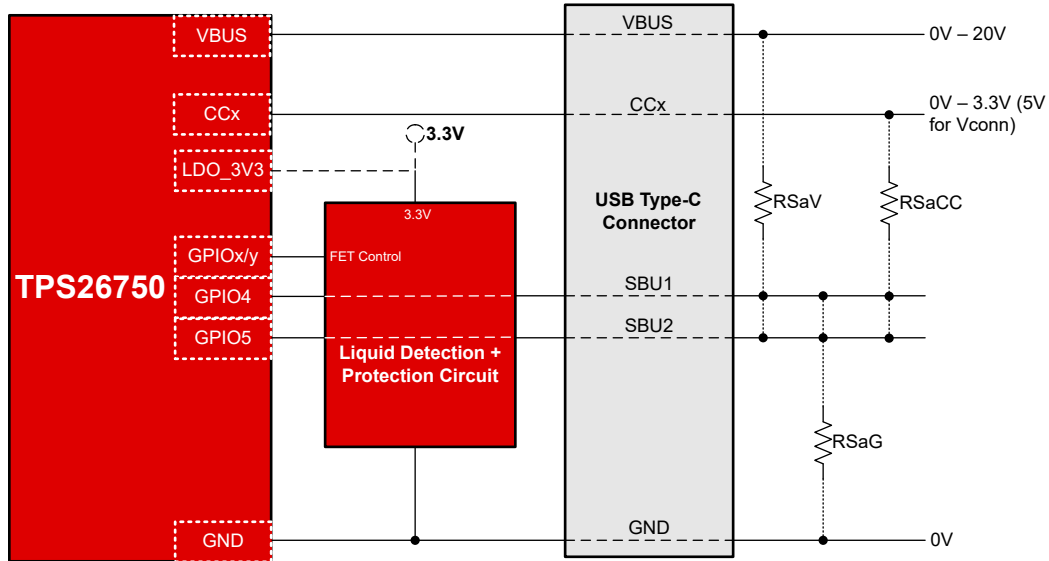
Power Path	PD Power Source	VBUS Voltage	VBUS Current
TPS26750	60W/100W	5V - 21V (20mV Steps)	3A/5A (50mA Steps)

表 8-2. PPS Sink 60W/100W Requirements

Power Path	PD Power Sink	VBUS Voltage	VBUS Current
TPS26750	60W/100W	5V - 21V	3A/5A

8.2.1.2 Liquid Detection Design Requirements

Portable Type-C and PD applications are subject to environments that wet the Type-C connector. Liquid on the Type-C connector leads to corrosion or system damage. Detecting liquid leverages the SBU1/2 pins on the Type-C connector to not interfere with USB2/3 operation or PD communication.



8-3. Liquid Detection Cases

8.2.1.3 BC1.2 Application Design Requirements

The PD controller taps the USB D+ and D- pins to provide BC1.2 detection and advertisement. The USB D+ and D- are connected to the USB Host (DFP) or USB Device (UFP) from the Type-C connector for Charging Data Port applications.

8.2.1.4 USB Data Support Design Requirements

For USB3 operation, the SSTX/RX are muxed to the Type-C connector. A SuperSpeed Mux generally has two control signals; enable and plug orientation. The PD controller determines when a connection is detected and drives the required GPIO to control the SuperSpeed Mux.

8.2.1.5 EPR Design Requirements

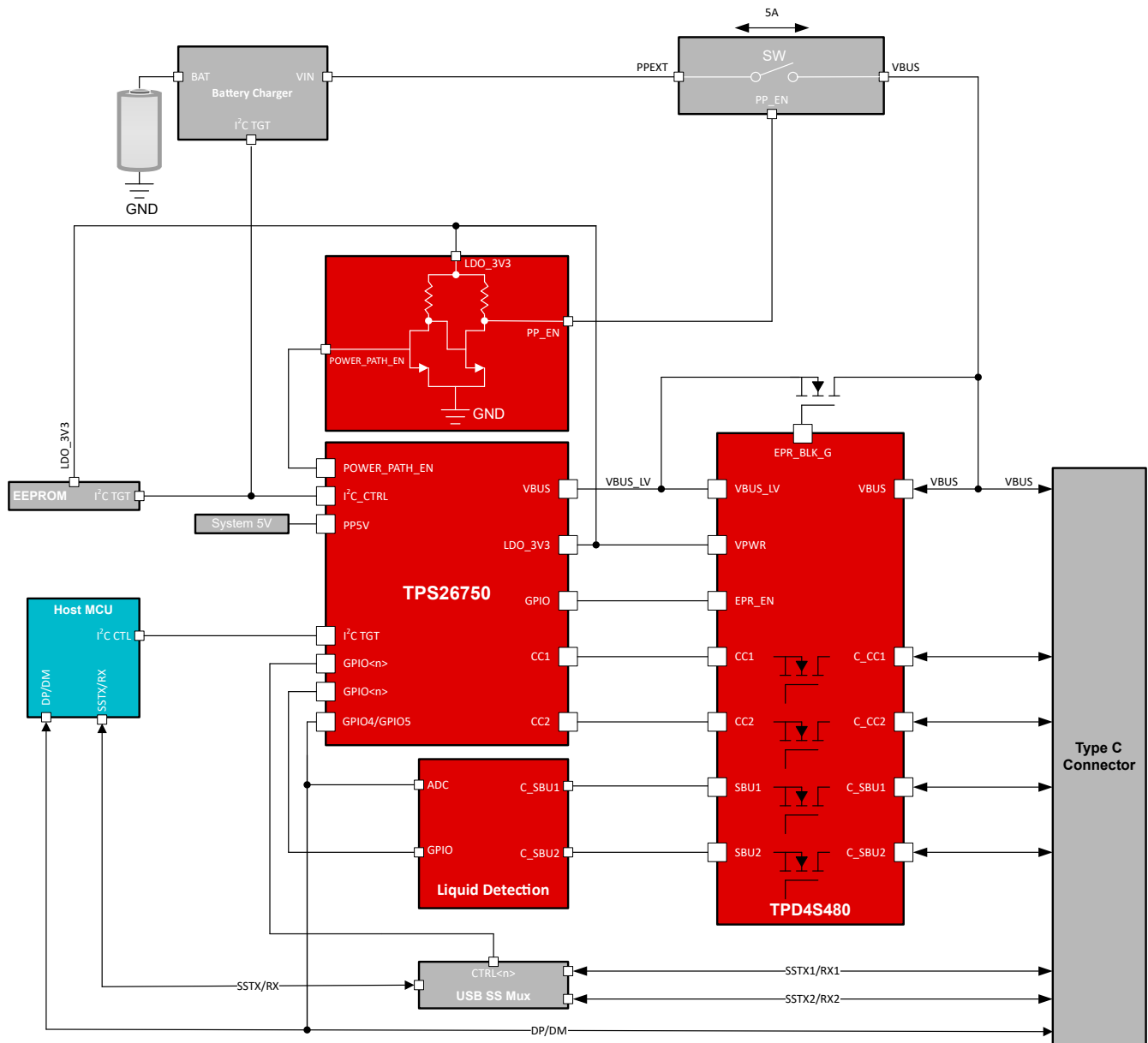


図 8-4. EPR Implementation Diagram

The TPS26750 works in conjunction with the TPD4S480 to provide the following functionality in USB-PD EPR:

- Short to VBUS protection for direct shorts to CC1 and CC2 pins of the Type-C connector.
- Short to VBUS protection for the liquid detection circuitry that is connected to the SBU1 and SBU2 pins of the Type-C connector, if the liquid detection feature is implemented.
- Voltage level translation from up the EPR maximum voltage down to the operation range of the VBUS pins of the TPS26750.
- Gate Drive for a high voltage NMOS transistor to allow the internal 5V power path to be used to source 5V in systems that only require a 5V output.

The TPS26750 also provides an analog signal that is driven to 9V with a 10uA capable charge pump. This signal is buffered with 2 source followers to provide a level shifted signal to control an external power switch, as shown in the figure below.

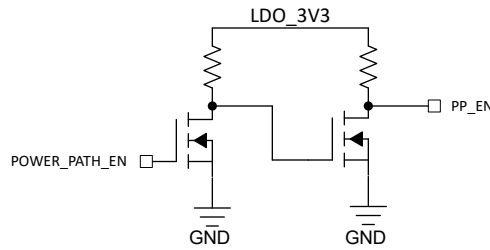


図 8-5. POWER_PATH_EN Buffer

8.2.2 Detailed Design Procedure

8.2.2.1 Programmable Power Supply (PPS)

The TPS26750 supports Programmable Power Supply (PPS) source and sink. When the TPS26750 negotiates a PPS contract as a source, the device enables the high-voltage power path (PPHV for D variant, PPEXT for S variant) and communicate with the supported TI battery charger (BQ25792 and BQ25756) to supply the negotiated voltage. TPS26750 only supports PPS within a 5V to 21V range according to PD 3.1 specification and is enabled through the Application Customization Tool.

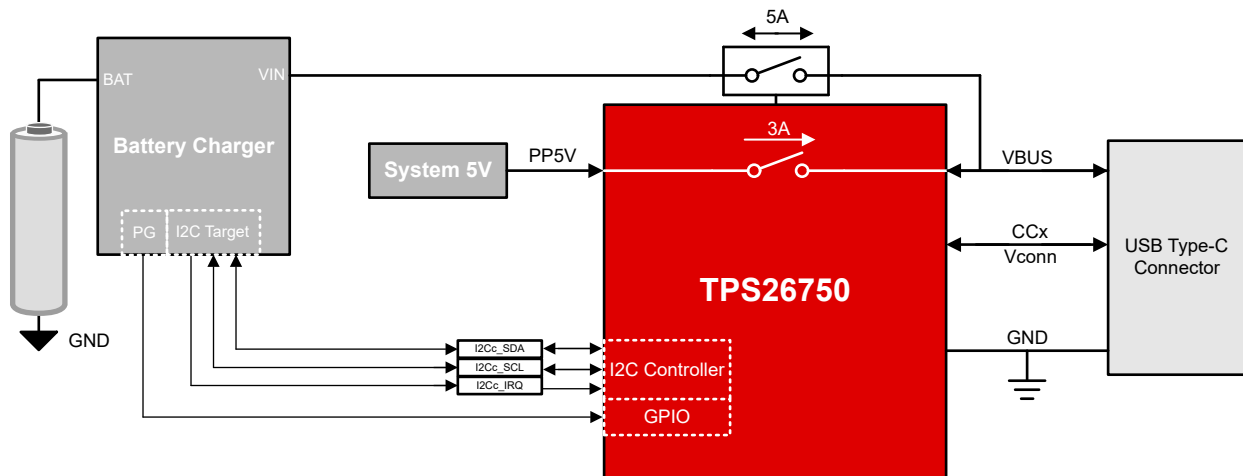


図 8-6. TPS26750 PPS With Battery Charger

8.2.2.2 Liquid Detection

The TPS26750 supports liquid detection using the built-in internal ADC and GPIO with external circuitry. 図 8-7 and 図 8-8 show the hardware implementation for liquid detection with the TPS26750. The TPD4S480 is used to protect the GPIO, ADC, and LDO_3V3 pins from over voltage conditions when there is liquid shorting VBUS to the SBU1/2 pins. 表 8-3 shows the recommended components used to implement the external liquid detection circuitry. When liquid is detected, the TPS26750 takes action to protect the Type-C port. Systems using an embedded host controller can leverage the Host Interface for additional notification and control.

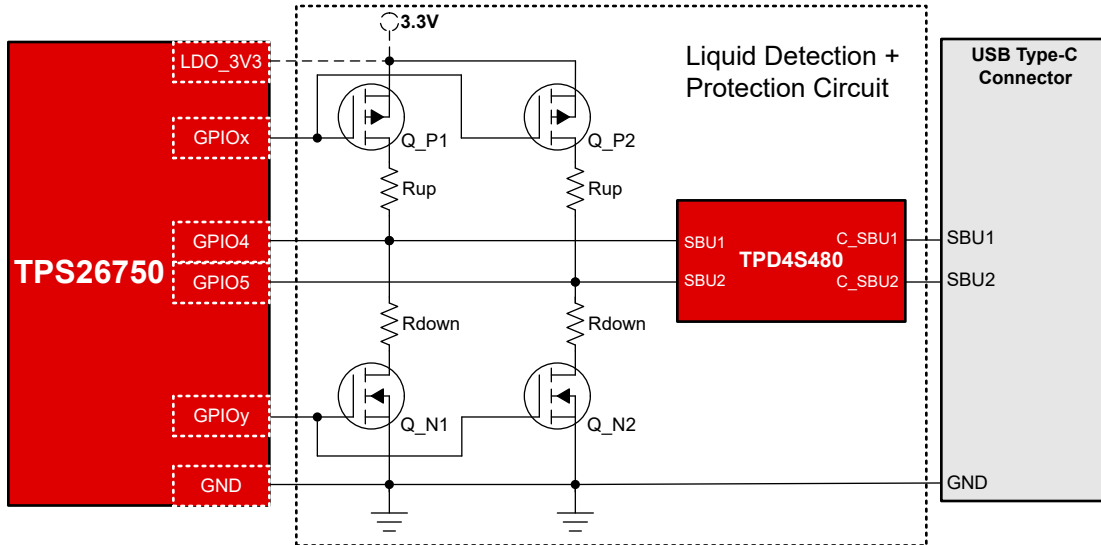


図 8-7. TPS26750 Liquid Detection Block Diagram - 2 GPIO Control

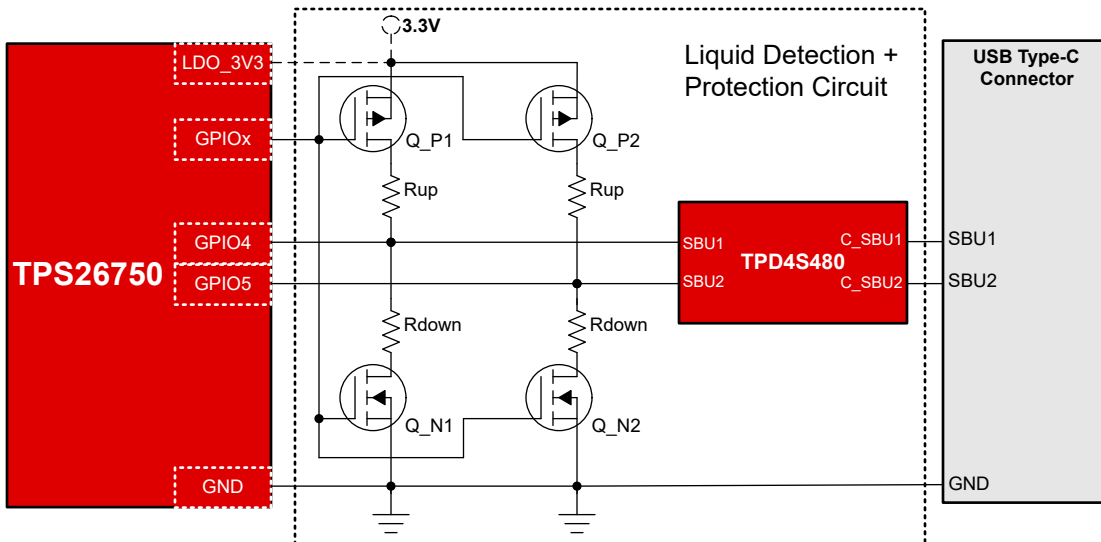


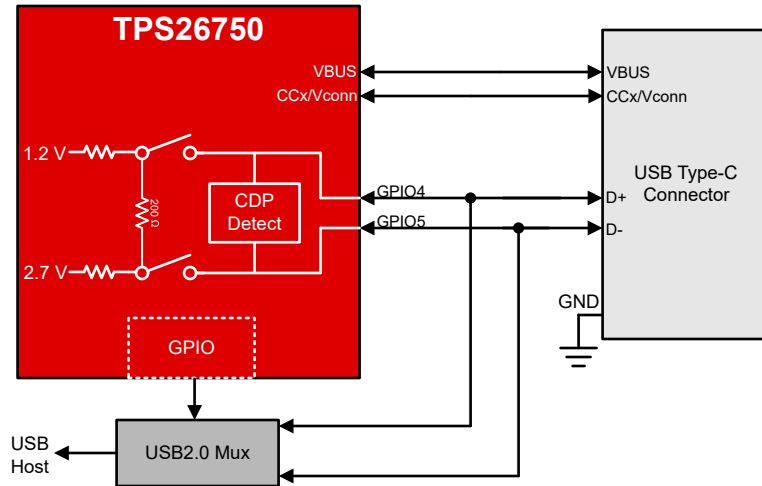
図 8-8. TPS26750 Liquid Detection Block Diagram - 1 GPIO Control

表 8-3. Component Recommendation

Q_Pn (GPIO PMOS)	Q_Nn (GPIO NMOS)	Rup	Rdown
CSD25480F3 (Vgsth -0.95V or similar)	CSD15380F3 (Vgsth 1.1V or similar)	1MΩ (5%)	1MΩ (5%)

8.2.2.3 BC1.2 Application

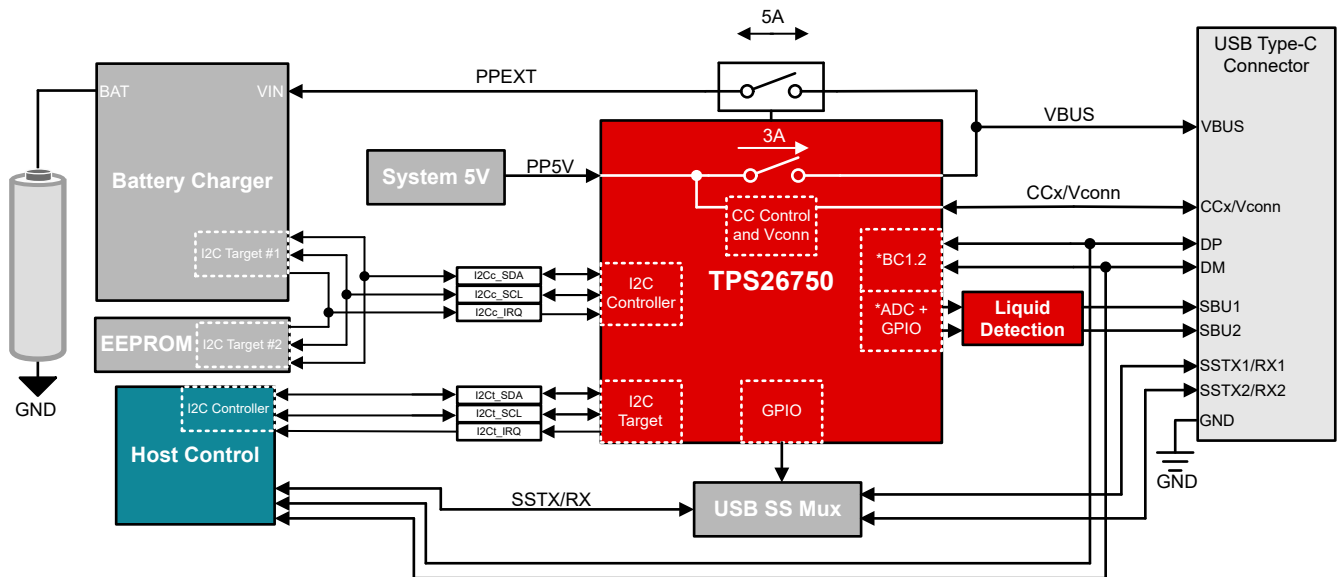
The TPS26750 supports BC1.2 detection and advertisement modes and are configurable through the Web Tool.



8-9. BC1.2 Application Block Diagram

8.2.2.4 USB Data Support

The TPS26750 supports USB data speed up to USB 3.2 Gen 2. When entering USB enumeration, the TPS26750 controls USB SuperSpeed Mux (TUSB1142) using GPIO controls. The GPIO control is configured through using the Application Customization Tool, GPIO events are found in the Technical Reference Manual.



8-10. TPS26750 USB Data Support

8.2.2.5 Power Delivery EPR Support

In order to support EPR using the TPS26750, the following requirements must be met:

- Short to VBUS protection for CC1/CC2 for voltages up the the maximum EPR voltage of the design
- If Liquid Detection is implemented, then short to VBUS protection for SBU1/SBU2 for voltages up the the maximum EPR voltage of the design
- Voltage level translation from up the maximum EPR voltage down to the operation range of the VBUS pin of the TPS26750
- Level Translation/Buffering of the POWER_PATH_EN pin to implement power switch control

8.2.3 Application Curves

8.2.3.1 Programmable Power Supply (PPS) Application Curves

The following are captured when the TPS26750 is acting as a PPS Source. The VBUS plot shows the PPS negotiation increasing and decreasing from 5V to 21V to 5V. The PD negotiation snap shot shows the VBUS requested voltage increasing by 100mV.

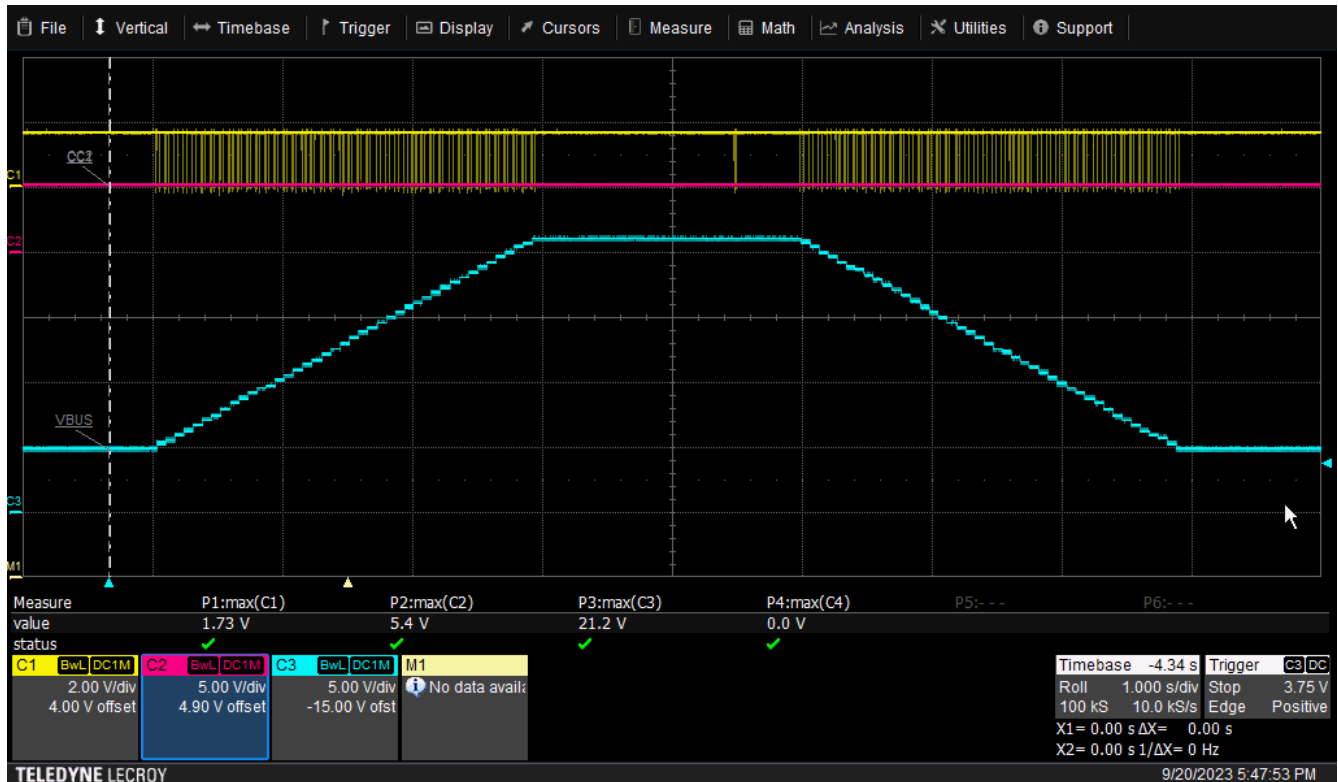


図 8-11. PPS PD Negotiation VBUS Increasing/Decreasing



















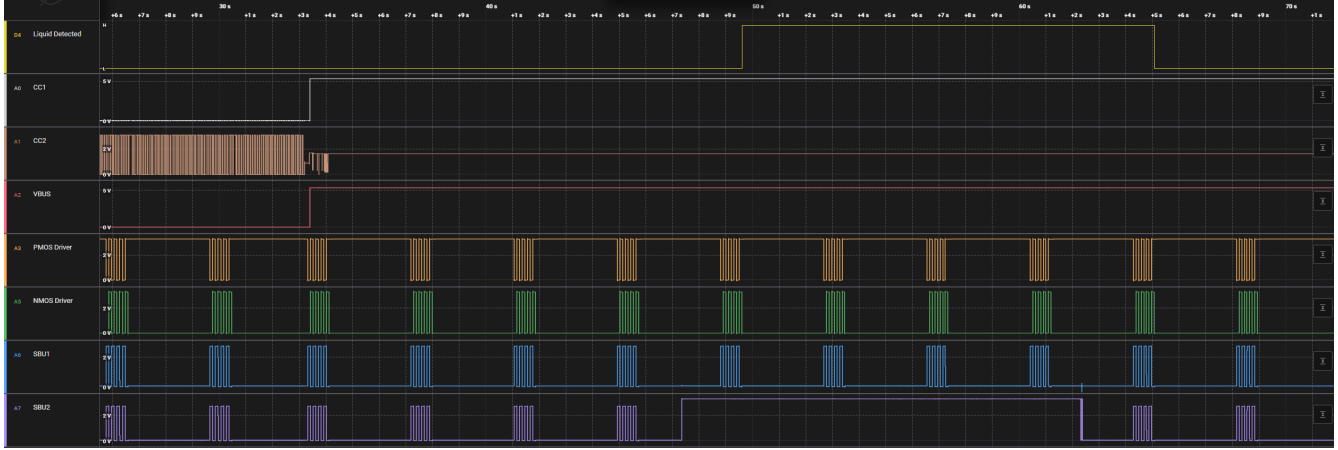
- ⊕  SOP' Discover Identity > Ack (Type-C to Type-C 3A)
- ⊕  Source Capabilities (1=Fixed 5V 3A, 2=Fixed 9V 3A, 3=Fixed 15V 3A, 4=Fixed 20V 3A, 5=Prog 5V-11V 3A, 6=Prog 5V-16V 3A, 7=Prog 5V-21V 3A)
- ⊕  Request (1=Fixed 5V 3A, Requested 3A, Max 3A) > Accepted
- ⊕  PsRdy
- ⊕  Discover Identity > Nak
- ⊕  SOP' Discover SVIDs > Ack (Cypress)
- ⊕  Request (7=Prog 5V-21V 3A, Requested 5V 3A) > Accepted
- ⊕  PsRdy
- ⊕  Request (7=Prog 5V-21V 3A, Requested 5.1V 3A) > Accepted
- ⊕  PsRdy
- ⊕  Request (7=Prog 5V-21V 3A, Requested 5.2V 3A) > Accepted
- ⊕  PsRdy
- ⊕  Request (7=Prog 5V-21V 3A, Requested 5.3V 3A) > Accepted
- ⊕  PsRdy
- ⊕  Request (7=Prog 5V-21V 3A, Requested 5.4V 3A) > Accepted
- ⊕  PsRdy
- ⊕  Request (7=Prog 5V-21V 3A, Requested 5.5V 3A) > Accepted
- ⊕  PsRdy

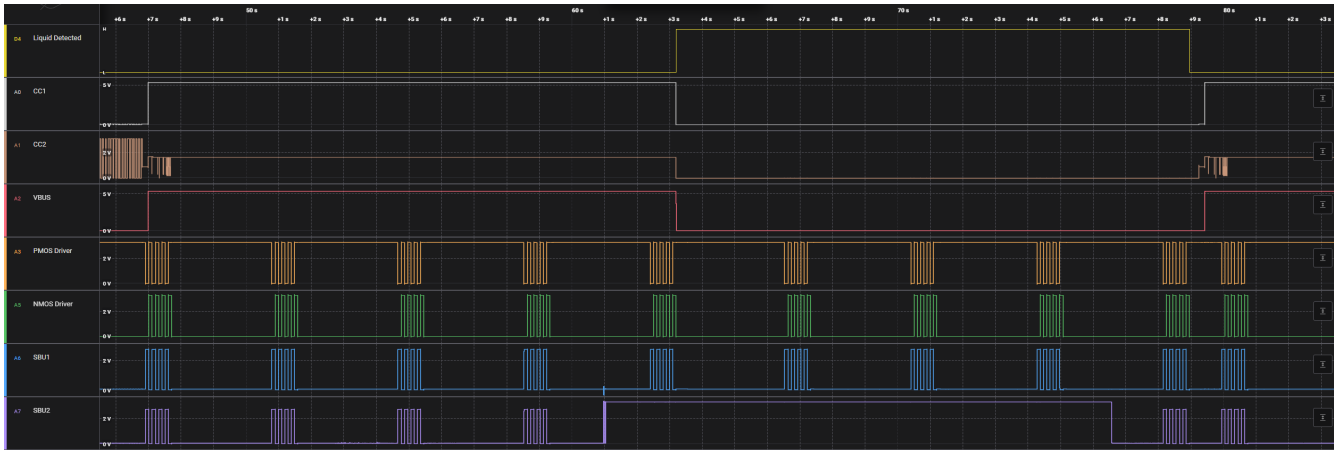
図 8-12. PPS PD Negotiation Log

8.2.3.2 Liquid Detection Application Curves

The figures below show the liquid detection behavior with corrosion mitigation disabled and enabled. Liquid is detected on both [Liquid Detection Behavior - No Corrosion Mitigation](#) and [Liquid Detection Behavior - Corrosion Mitigation](#) on the SBU2 pin.

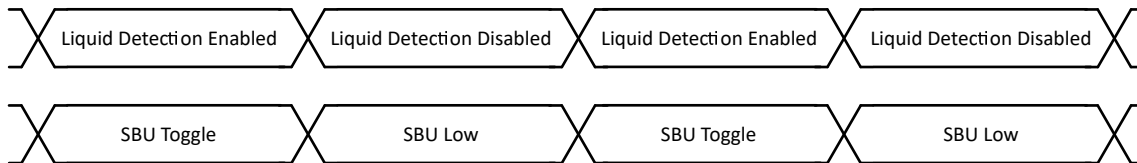


8-13. Liquid Detection Behavior - No Corrosion Mitigation



8-14. Liquid Detection Behavior - Corrosion Mitigation

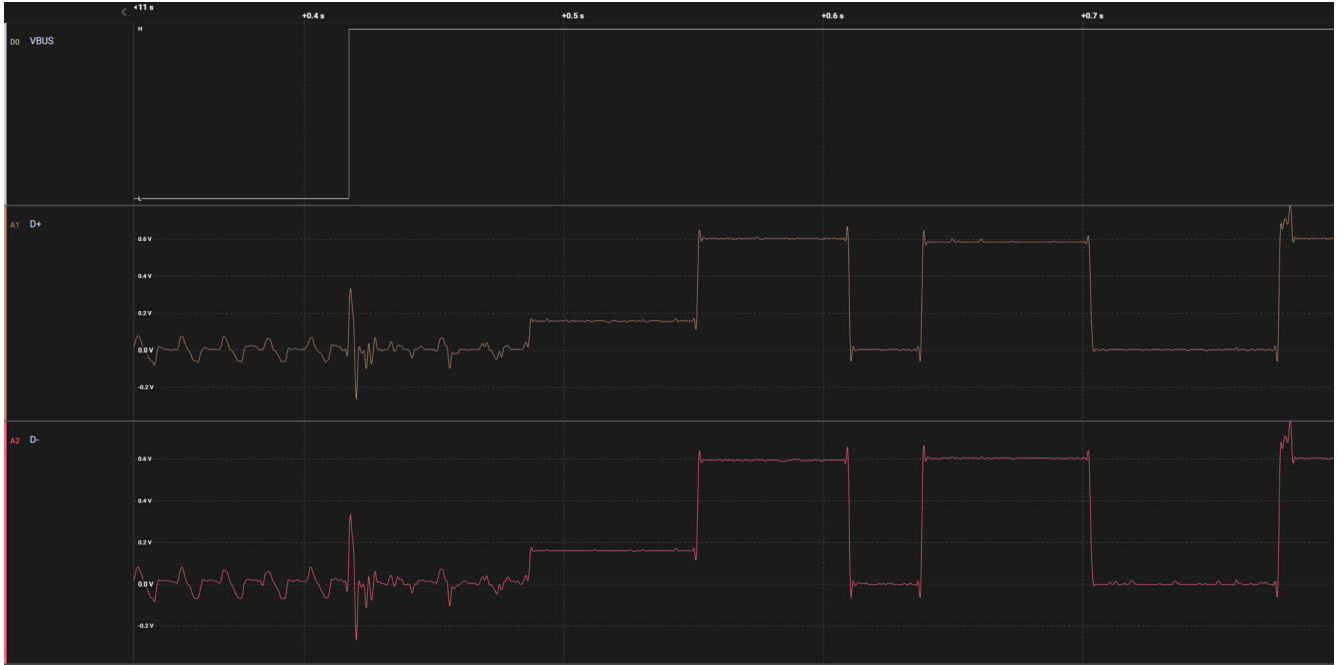
Liquid Detection occurs in burst which can be configured. When the PD Controller checks for liquid it toggles the SBU1/2 circuitry, and pulls down the SBU1/2 circuitry when liquid detection is disabled.



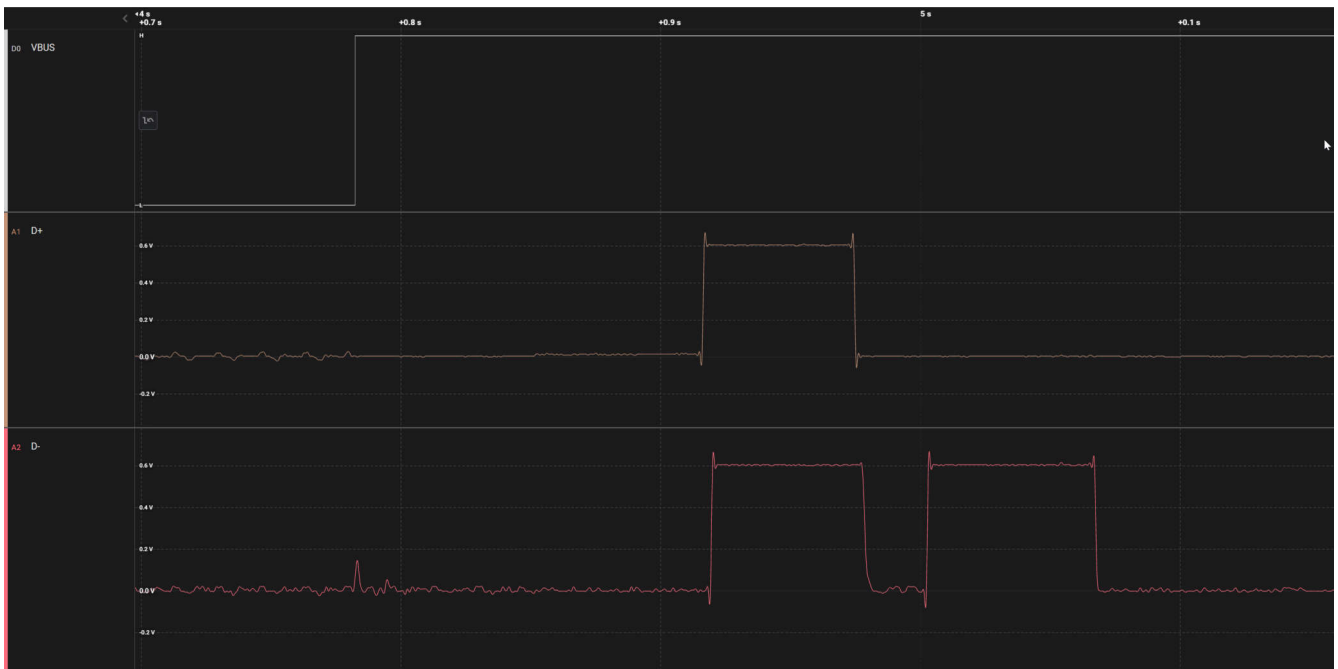
8-15. Liquid Detection and SBU1/2 Toggle

8.2.3.3 BC1.2 Application Curves

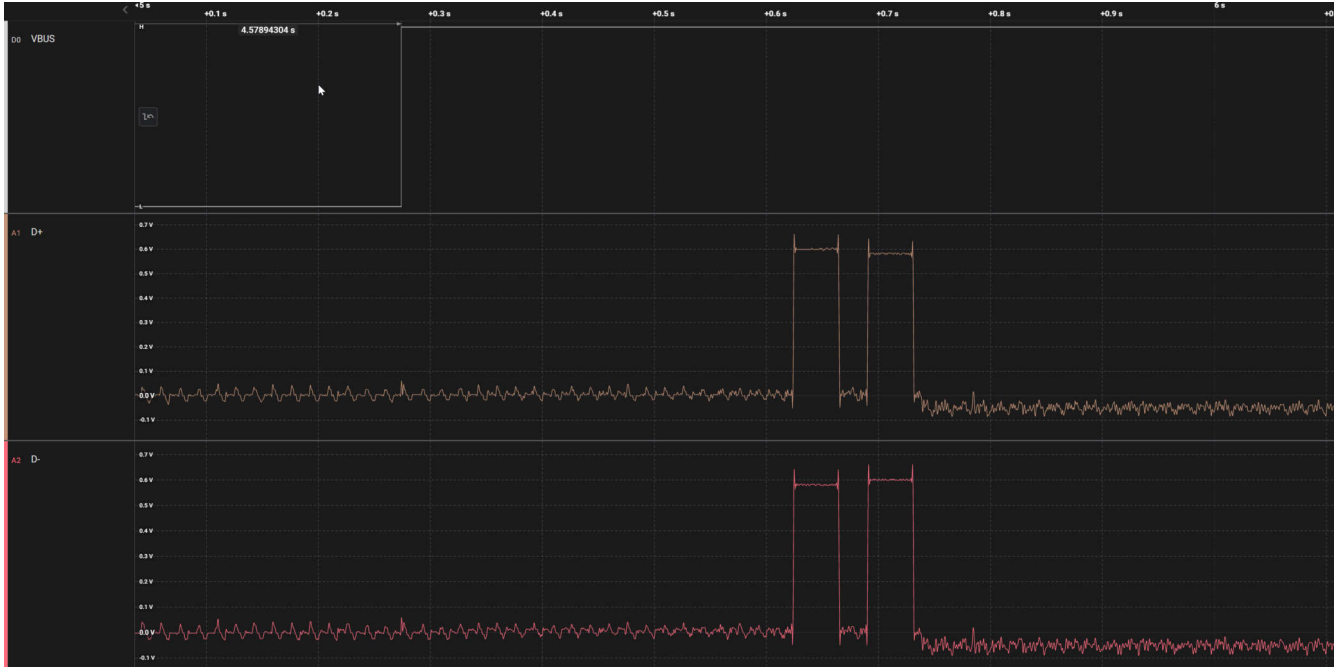
The plots below show the BC1.2 advertisement and detection with the TPS26750.



8-16. BC1.2 DCP Advertisement



8-17. BC1.2 CDP Advertisement



8-18. BC1.2 DCP Detection



8-19. BC1.2 CDP Detection

8.2.3.4 USB Data Support Application Curves

The following show the control signals used by a USB SuperSpeed Mux. For a normal orientation, the CC1 pin is connected. For a flipped orientation, the CC2 pin is connected.

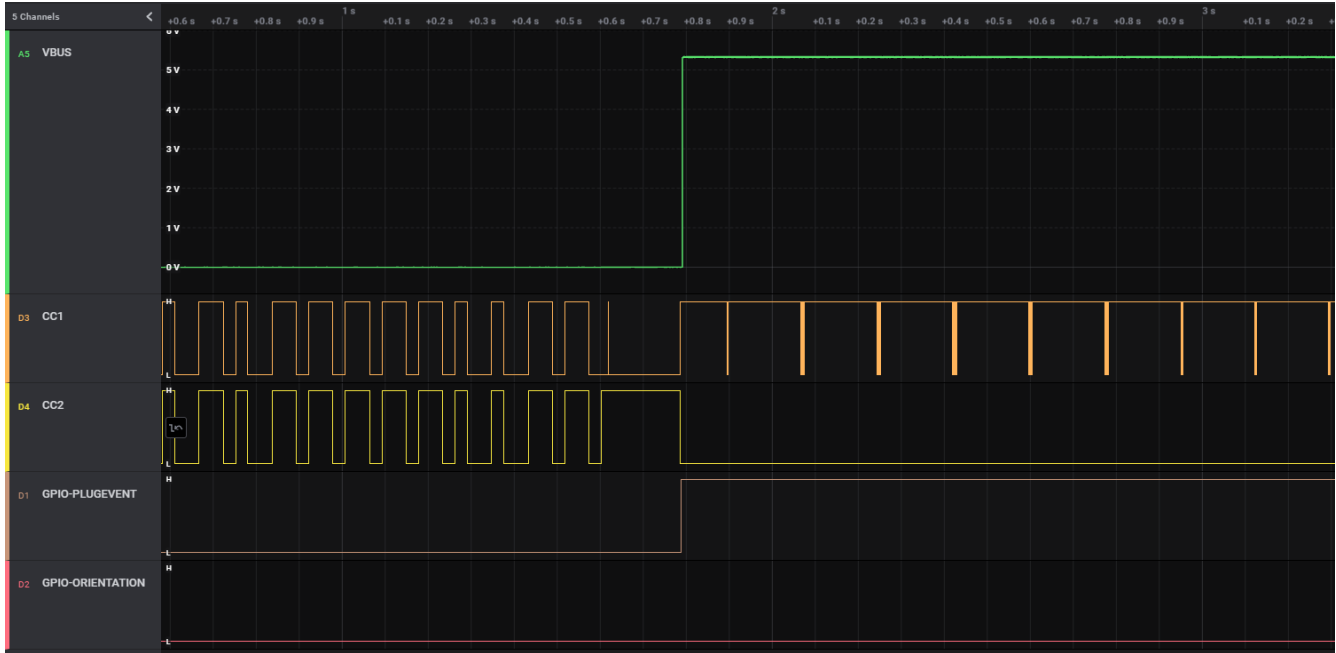


図 8-20. USB SuperSpeed Mux Control - Normal Orientation



図 8-21. USB SuperSpeed Mux Control - Flipped Orientation

8.2.3.5 EPR Application Curves

The following show the PD connection communication required to establish and maintain a 48V EPR contract.

表 8-4. 48V EPR Sink Contract with Keep Alive Shown PD Log

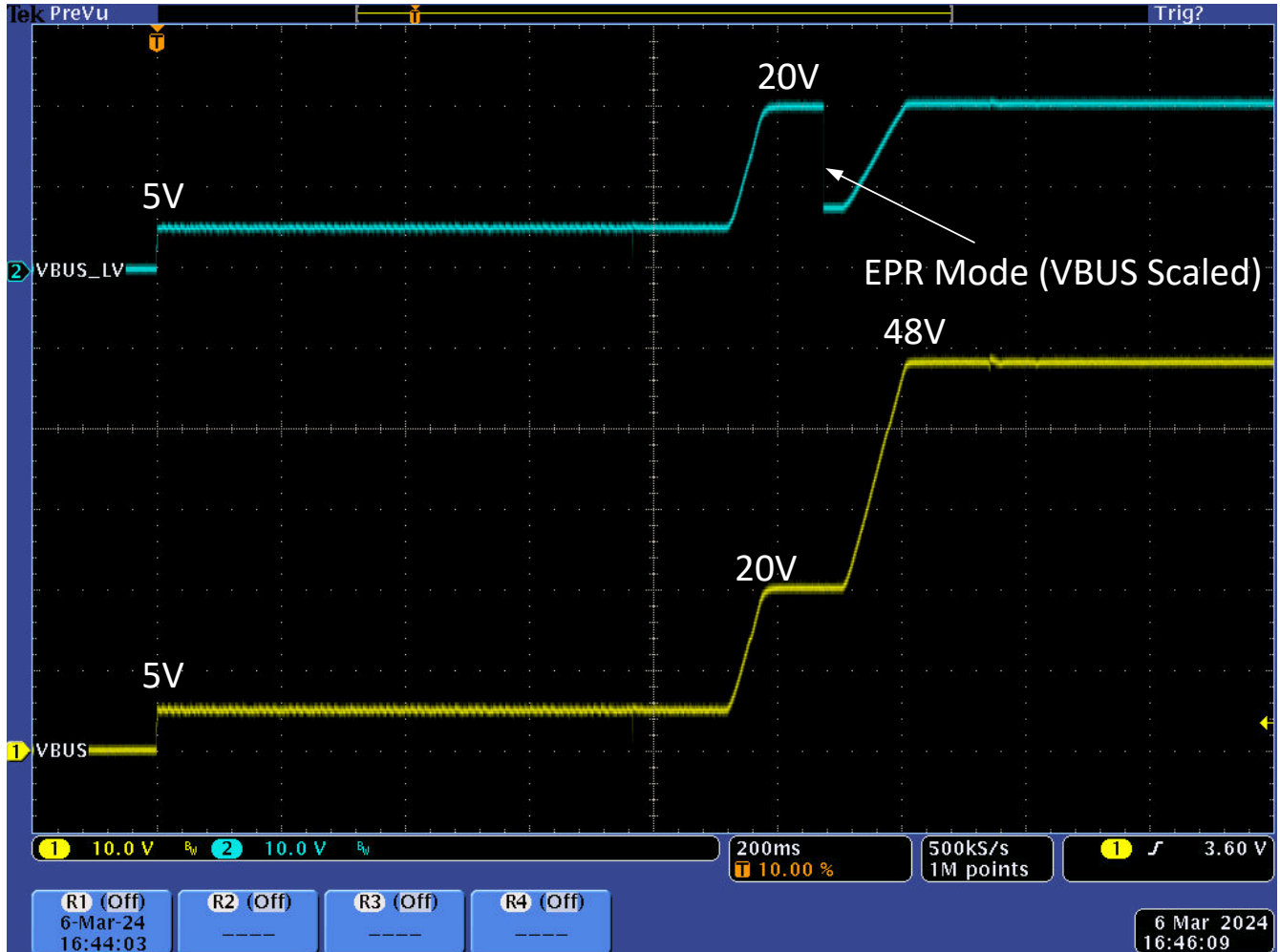
#	Message Type	SOP*	Data Role	Power Role	MsgID	Sender	Time Stamp
0	CONNECT CC1 (CC1-Pin = TYPEC_3p0A, CC2-Pin = NC)						06:20.9

表 8-4. 48V EPR Sink Contract with Keep Alive Shown PD Log (続き)

#	Message Type	SOP*	Data Role	Power Role	MsgID	Sender	Time Stamp
1	Source_Capabilities (Max: 100W, Fixed 5V-3A, Fixed 9V-3A, Fixed 15V-3A, Fixed 20V-5A)	SOP	DFP	SOURCE	0	Port	06:21.1
2	Source_Capabilities (Max: 100W, Fixed 5V-3A, Fixed 9V-3A, Fixed 15V-3A, Fixed 20V-5A)	SOP	DFP	SOURCE	0	Port	06:21.1
3	Source_Capabilities (Max: 100W, Fixed 5V-3A, Fixed 9V-3A, Fixed 15V-3A, Fixed 20V-5A)	SOP	DFP	SOURCE	0	Port	06:21.1
4	Source_Capabilities (Max: 100W, Fixed 5V-3A, Fixed 9V-3A, Fixed 15V-3A, Fixed 20V-5A)	SOP	DFP	SOURCE	1	Port	06:21.2
5	Source_Capabilities (Max: 100W, Fixed 5V-3A, Fixed 9V-3A, Fixed 15V-3A, Fixed 20V-5A)	SOP	DFP	SOURCE	1	Port	06:21.2
6	Source_Capabilities (Max: 100W, Fixed 5V-3A, Fixed 9V-3A, Fixed 15V-3A, Fixed 20V-5A)	SOP	DFP	SOURCE	1	Port	06:21.2
7	Source_Capabilities (Max: 100W, Fixed 5V-3A, Fixed 9V-3A, Fixed 15V-3A, Fixed 20V-5A)	SOP	DFP	SOURCE	2	Port	06:21.4
8	Source_Capabilities (Max: 100W, Fixed 5V-3A, Fixed 9V-3A, Fixed 15V-3A, Fixed 20V-5A)	SOP	DFP	SOURCE	2	Port	06:21.4
9	Source_Capabilities (Max: 100W, Fixed 5V-3A, Fixed 9V-3A, Fixed 15V-3A, Fixed 20V-5A)	SOP	DFP	SOURCE	2	Port	06:21.4
10	Source_Capabilities (Max: 100W, Fixed 5V-3A, Fixed 9V-3A, Fixed 15V-3A, Fixed 20V-5A)	SOP	DFP	SOURCE	3	Port	06:21.6
11	Source_Capabilities (Max: 100W, Fixed 5V-3A, Fixed 9V-3A, Fixed 15V-3A, Fixed 20V-5A)	SOP	DFP	SOURCE	3	Port	06:21.6
12	Source_Capabilities (Max: 100W, Fixed 5V-3A, Fixed 9V-3A, Fixed 15V-3A, Fixed 20V-5A)	SOP	DFP	SOURCE	3	Port	06:21.6
13	Source_Capabilities (Max: 100W, Fixed 5V-3A, Fixed 9V-3A, Fixed 15V-3A, Fixed 20V-5A)	SOP	DFP	SOURCE	4	Port	06:21.8
14	GoodCRC	SOP	UFP	SINK	4	Port	06:21.8
15	Request (ObjPos=4, Fixed 20V-5A)	SOP	UFP	SINK	0	Port	06:21.8
16	GoodCRC	SOP	DFP	SOURCE	0	Port	06:21.8
17	Accept	SOP	DFP	SOURCE	5	Port	06:21.8
18	GoodCRC	SOP	UFP	SINK	5	Port	06:21.8
19	PS_RDY	SOP	DFP	SOURCE	6	Port	06:21.9
20	GoodCRC	SOP	UFP	SINK	6	Port	06:21.9
21	EPR_Mode (Action=Enter)	SOP	UFP	SINK	1	Port	06:21.9
22	GoodCRC	SOP	DFP	SOURCE	1	Port	06:21.9
23	EPR_Mode (Action=Enter_Acknowledged)	SOP	DFP	SOURCE	7	Port	06:21.9
24	GoodCRC	SOP	UFP	SINK	7	Port	06:21.9
25	EPR_Mode (Action=Enter_Succeeded)	SOP	DFP	SOURCE	0	Port	06:21.9
26	GoodCRC	SOP	UFP	SINK	0	Port	06:21.9
27	EPR_Source_Capabilities (Chunk Response #0)	SOP	DFP	SOURCE	1	Port	06:21.9

表 8-4. 48V EPR Sink Contract with Keep Alive Shown PD Log (続き)

#	Message Type	SOP*	Data Role	Power Role	MsgID	Sender	Time Stamp
28	GoodCRC	SOP	UFP	SINK	1	Port	06:21.9
29	EPR_Source_Capabilities (Chunk Request #1)	SOP	UFP	SINK	2	Port	06:21.9
30	GoodCRC	SOP	DFP	SOURCE	2	Port	06:21.9
31	EPR_Source_Capabilities (Max: 240W, Fixed 5V-3A, Fixed 9V-3A, Fixed 15V-3A, Fixed 20V-5A, Fixed 28V-5A, Fixed 36V-5A, Fixed 48V-5A, EPR AVS PDP:240-48V-15V)	SOP	DFP	SOURCE	2	Port	06:21.9
32	GoodCRC	SOP	UFP	SINK	2	Port	06:21.9
33	EPR_Request (ObjPos=10, Fixed 48V-5A)	SOP	UFP	SINK	3	Port	06:22.0
34	GoodCRC	SOP	DFP	SOURCE	3	Port	06:22.0
35	Accept	SOP	DFP	SOURCE	3	Port	06:22.0
36	GoodCRC	SOP	UFP	SINK	3	Port	06:22.0
37	PS_RDY	SOP	DFP	SOURCE	4	Port	06:22.1
38	GoodCRC	SOP	UFP	SINK	4	Port	06:22.1
39	Extended_Control (EPR_KeepAlive)	SOP	UFP	SINK	4	Port	06:22.5
40	GoodCRC	SOP	DFP	SOURCE	4	Port	06:22.5
41	Extended_Control (EPR_KeepAlive_Ack)	SOP	DFP	SOURCE	5	Port	06:22.5
42	GoodCRC	SOP	UFP	SINK	5	Port	06:22.5
43	Extended_Control (EPR_KeepAlive)	SOP	UFP	SINK	5	Port	06:22.9
44	GoodCRC	SOP	DFP	SOURCE	5	Port	06:22.9
45	Extended_Control (EPR_KeepAlive_Ack)	SOP	DFP	SOURCE	6	Port	06:22.9
46	GoodCRC	SOP	UFP	SINK	6	Port	06:22.9



5

図 8-22. 48V EPR Contract Negotiation VBUS and VBUS LV

8.3 Power Supply Recommendations

8.3.1 3.3V Power

8.3.1.1 VIN_3V3 Input Switch

The VIN_3V3 input is the main supply of the TPS26750 device. The VIN_3V3 switch (see [Power Management](#)) is a uni-directional switch from VIN_3V3 to LDO_3V3, not allowing current to flow backwards from LDO_3V3 to VIN_3V3. This switch is on when the 3.3V supply is available and the dead-battery flag is cleared. The recommended capacitance C_{VIN_3V3} (see [Recommended Capacitance](#)) must be connected from the VIN_3V3 pin to the GND pin).

8.3.2 1.5V Power

The internal circuitry is powered from 1.5V. The 1.5V LDO steps the voltage down from LDO_3V3 to 1.5V. The 1.5V LDO provides power to all internal low-voltage digital circuits which includes the digital core, and memory. The 1.5V LDO also provides power to all internal low-voltage analog circuits. Connect the recommended capacitance C_{LDO_1V5} (see [Recommended Capacitance](#)) from the LDO_1V5 pin to the GND pin.

8.3.3 Recommended Supply Load Capacitance

[Recommended Capacitance](#) lists the recommended board capacitances for the various supplies. The typical capacitance is the nominally rated capacitance that must be placed on the board as close to the pin as possible.

The maximum capacitance must not be exceeded on pins for which it is specified. The minimum capacitance is minimum capacitance allowing for tolerances and voltage derating ensuring proper operation.

8.4 Layout

8.4.1 TPS26750 - Layout

8.4.1.1 Layout Guidelines

Proper routing and placement maintain signal integrity for high speed signals and improve the heat dissipation from the power paths. The combination of power and high speed data signals are easily routed if the following guidelines are followed. Best practice is to consult with board manufacturing to verify manufacturing capabilities.

8.4.1.1.1 Recommended Via Size

Proper via stitching is recommended to carrying current for the VBUS power paths and grounding. The recommended minimum via size is shown below, but larger vias are an option for low density PCB designs. A single via is capable of carrying 1A, verify the tolerance with the board manufacturing. Vias are recommended to be tented when located close to the PD controller.

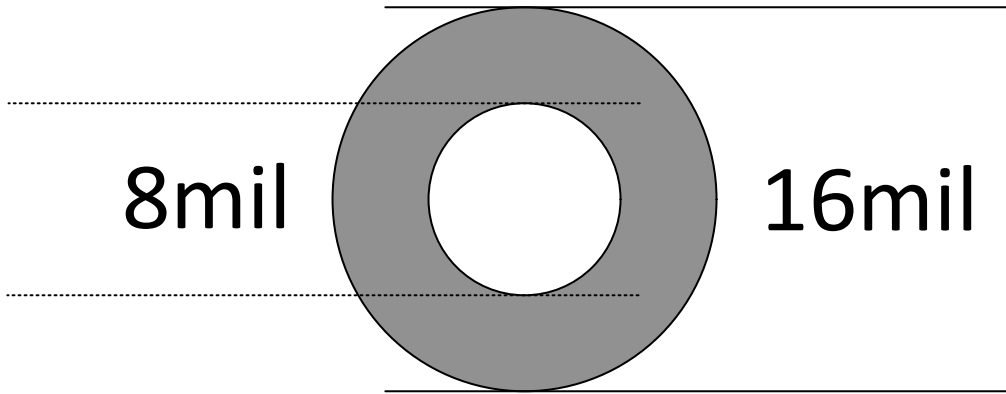


図 8-23. Recommend Minimum Via Size

8.4.1.1.2 Minimum Trace Widths

Below are the minimum trace widths for analog and digital pins. The trace width limitations are also defined by the board manufacturing process used. Consult with manufacturing for determining the minimum trace widths and tolerance.

表 8-5. Minimum Trace Width

Route	Minimum Width (mils)
CC1, CC2	10
VIN_3V3, LDO	10
Component GND	16
GPIO	4

8.4.1.2 Layout Example

8.4.1.2.1 TPS26750 Schematic Layout Example

Follow the differential impedances for Super / High Speed signals defined by their specifications (USB2.0). All I/O are fanned out to provide an example for routing out all pins, not all designs utilize all of the I/O on the TPS26750.

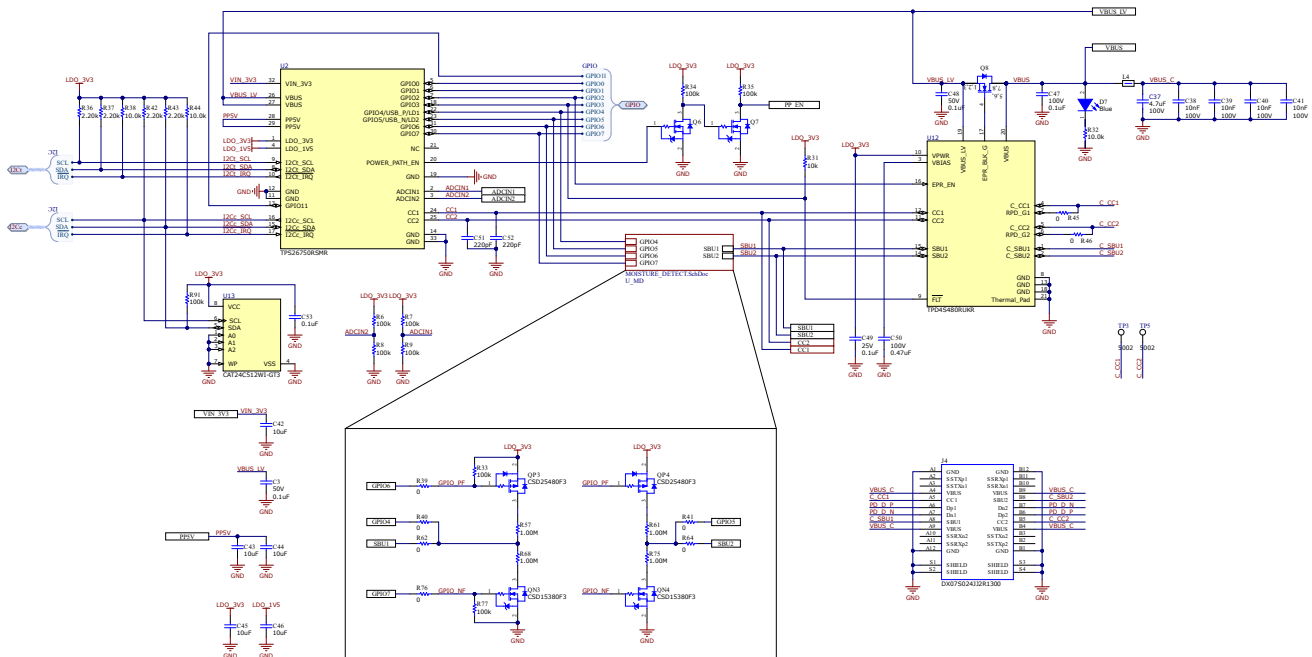


図 8-24. Example Schematic

8.4.1.2.2 TPS26750 Layout Example - PCB Plots

The following TPS26750 PCB Layout figures show the recommended layout, placement, and routing.

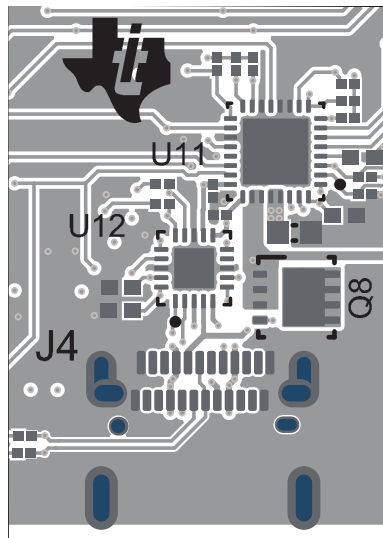


図 8-25. TPS26750 PCB Layout - Top Composite

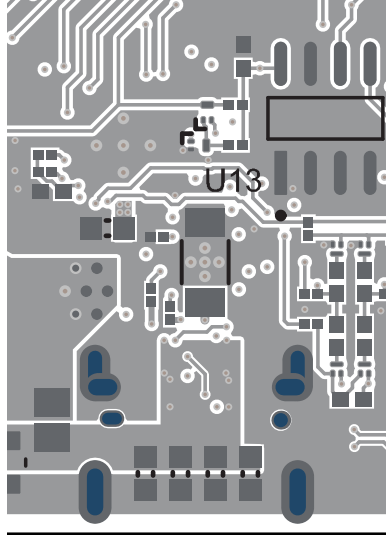


図 8-26. TPS26750 PCB Layout - Bottom Composite

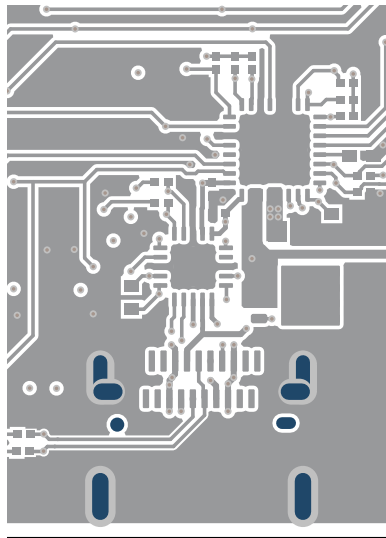


図 8-27. TPS26750 PCB Layout - Top Layer 1



図 8-28. TPS26750 PCB Layout - GND Layer 2

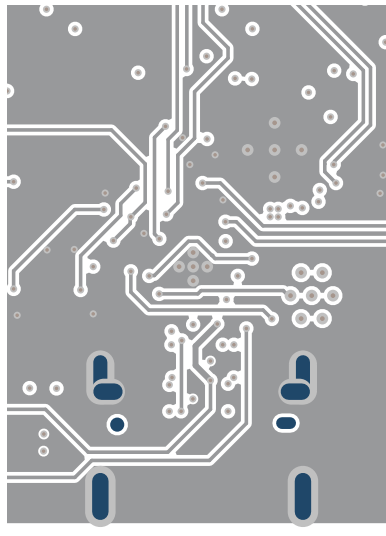


図 8-29. TPS26750 PCB Layout - Signal Layer 3

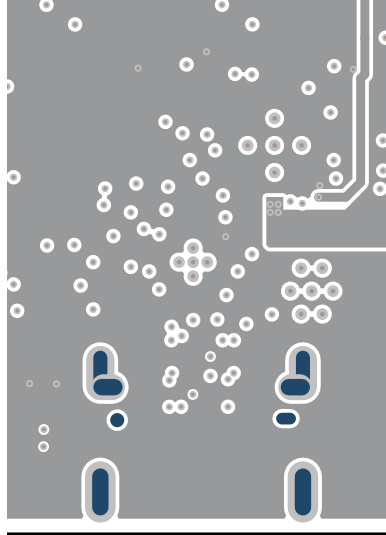
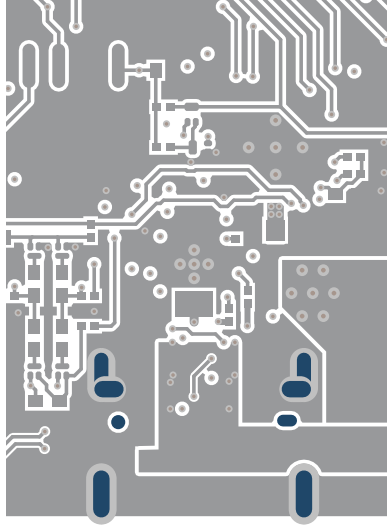


図 8-30. TPS26750 PCB Layout - Signal Layer 4



図 8-31. TPS26750 PCB Layout - GND Layer 5



☒ 8-32. TPS26750 PCB Layout - Bottom Layer 6

8.4.1.2.2.1 TPS26750 Component Placement

LDO_1V5 (pin 4), LDO_3V3 (pin 1), and VIN_3V3 (pin 32)

The decoupling capacitors for LDO_3V3, LDO_1V5, and VIN_3V3 (C15, C16, and C17 respectively) need to be placed as close as possible to TPS26750 device for optimal performance. For this example to minimize solution size, the decoupling capacitors are placed on the bottom layer with their ground pads directly underneath the ground pad of TPS26750. Use a maximum of one via per pin from TPS26750 to the decoupling capacitors if placed on a different layer. Use a minimum of 10mil trace width to route these three traces, preferably with 16mil trace width if possible.

CC1 (pin 24) and CC2 (pin 25)

CC1 (C11) and CC2 (C10) capacitors need to be placed as close as possible to their respective pins and on the same layer as the TPS26750 device. When routing the CCx traces, DO NOT via to another layer in between the CCx pins of the TPS26750 to the CCx capacitors. Check to make sure the CCx capacitors are not placed outside the CC trace creating an antenna, instead have the traces pass directly through the CCx capacitor pads as shown in the example layout (refer to figure 10-21). Use a minimum of 10mil trace width to ensure Vconn support (5V/0.6A).

8.4.1.2.2.2 TPS26750 PP5V

The 10uF decoupling capacitor (C8) need to be placed as close as possible to the PP5V pins of TPS26750. DO NOT use traces for PP5V. The PP5V power plane needs to be sized to support up to 3.6A (up to 3A for sourcing, 600mA for Vconn). When connecting the PP5V pins (pins 28 and 29) to the 5V power plane, use a minimum of 4 vias in parallel and close to the device to improve current sharing. Minimize the bottle necks cause by other vias or traces, large bottle necks reduces the efficiency of the power plane. The bulk capacitors (C6, C7, and C9) represent capacitances from the system 5V rail, these are placed further away from TPS26750 on the same PP5V power plane. Refer to figure 10-21 and figure 10-22 for placement and trace reference.

8.4.1.2.2.3 TPS26750 PP_EXT

Place the PP_EXT decoupling capacitors (C12, C13, and C14) as close as possible to TPS26750, these do not need to be on the same layer as the device. The PP_EXT power plane needs to be sized to support up to 5A of current. When connecting the PP_EXT plane to a different layer, use a minimum of 6 vias in parallel per layer change. It is highly recommended to have more than 6 vias if possible for layer change to improve current sharing and efficiency.

8.4.1.2.2.4 TPS26750 VBUS

VBUS (pins 26 and 27)

Place the VBUS decoupling capacitor (C37) as close as possible to the VBUS pin of the external NMOS transistor (Q8), the capacitor does not need to be on the same layer as the device. The VBUS power plane need to be sized to support up to 3A of current if the 5V power path is utilized. If this 5V power path is not utilized, then the power path can be sized to support 100mA of current. When connecting the VBUS pins (pins 26 and 27) plane to a different layer, use a minimum of 3 vias per layer change.

At the Type-C port/connector, it is recommended to use minimum of 6 vias from the connector VBUS pins for layer changes. Place the 10nF caps (C2, C3, C4, and C5) as close as possible to the connector VBUS pins as shown in figure 10-22.

When implemented with the TPD4S480, the TPS26750 does not require an external TVS protection device, but the power switch used in the system may require the addition of a TVS protection diode. Please refer to the datasheet of the switch selected to ensure that any protection requirements are met.

The VBUS line of the type C connector needs to be routed to the external power path in a manner that supports its current and voltage needs. Please refer to the datasheet of the switch selected to ensure that any routing and current requirements are met.

8.4.1.2.2.5 TPS26750 I/O

I2C, ADCIN1/2, and GPIO pins

Fan these traces out from the TPS26750, use vias to connect the net to a routing layer if needed. For these nets, use 4mil to 10mil trace width.

I2Cc_SDA/SCL/IRQ (pins 8, 9, and 10) and I2Ct_SCL/SDA/IRQ (pins 15, 16, and 17)

Minimize trace width changes to avoid I2C communication issues.

ADCIN1 and ADCIN2 (pins 2 and 3)

Keep the ADCINx traces away from switching elements. If a resistor divider is used, place the divider close to LDO_3V3 or LDO_1V5.

GPIO (pins 5, 6, 7, 18, 22, 23, 31, 30, and 13)

Separate GPIO traces running in parallel by a trace width. Keep the GPIOx traces away from switching elements.

8.4.1.2.2.6 TPS26750 PPEXT Gate Driver

POWER_PATH_EN (pin 20)

The POWER_PATH_EN pin (pin 20) shall be connected to the gate of an NMOS source follower pair that implement a level shifter and buffer (Q6,Q7, R34 and R35) . The pull up resistors of the follower shall be connected the LDO_3V3 pin (pin 1) as shown in [Figure 8-24](#).

This circuit is a non-inverting buffer that will create a 3.3V signal that is driven to 3.3V when the power switch selected needs to be driven to ground to be enabled, then an inverting circuit can be implemented by removing Q7 and R35. This implements an inverting level shifter that will be driven to ground when the switch is to be enabled.

8.4.1.2.2.7 TPS26750 GND

The GND pad is used to dissipate heat for the TPS26750 device. Connect the GND pins (11, 12, 14 and 31) to the Ground pad (39) underneath the TPS26750 device. Connect the through hole vias from the ground pad on the top layer to a copper pour on the bottom layer to help dissipate heat. Additional vias can be added to improve thermal dissipation.

9 Device and Documentation Support

9.1 Device Support

9.1.1 サード・パーティ製品に関する免責事項

サード・パーティ製品またはサービスに関するテキサス・インスツルメンツの出版物は、単独またはテキサス・インスツルメンツの製品、サービスと一緒に提供される場合に関係なく、サード・パーティ製品またはサービスの適合性に関する是認、サード・パーティ製品またはサービスの是認の表明を意味するものではありません。

9.2 Documentation Support

9.2.1 Related Documentation

- [USB-PD Specifications](#)
- [USB Power Delivery Specification](#)

9.3 サポート・リソース

テキサス・インスツルメンツ E2E™ サポート・フォーラムは、エンジニアが検証済みの回答と設計に関するヒントをエキスパートから迅速かつ直接得ることができる場所です。既存の回答を検索したり、独自の質問をしたりすることで、設計に必要な支援を迅速に得ることができます。

リンクされているコンテンツは、各寄稿者により「現状のまま」提供されるものです。これらはテキサス・インスツルメンツの仕様を構成するものではなく、必ずしもテキサス・インスツルメンツの見解を反映したものではありません。テキサス・インスツルメンツの[使用条件](#)を参照してください。

9.4 Trademarks

テキサス・インスツルメンツ E2E™ is a trademark of Texas Instruments.
USB Type-C® is a registered trademark of USB Implementers Forum.
すべての商標は、それぞれの所有者に帰属します。

9.5 静電気放電に関する注意事項



この IC は、ESD によって破損する可能性があります。テキサス・インスツルメンツは、IC を取り扱う際には常に適切な注意を払うことを推奨します。正しい取り扱いおよび設置手順に従わない場合、デバイスを破損するおそれがあります。

ESD による破損は、わずかな性能低下からデバイスの完全な故障まで多岐にわたります。精密な IC の場合、パラメータがわずかに変化するだけで公表されている仕様から外れる可能性があるため、破損が発生しやすくなっています。

9.6 用語集

[テキサス・インスツルメンツ用語集](#) この用語集には、用語や略語の一覧および定義が記載されています。

10 Revision History

資料番号末尾の英字は改訂を表しています。その改訂履歴は英語版に準じています。

DATE	REVISION	NOTES
September 2024	*	Initial Release

11 Mechanical, Packaging, and Orderable Information

The following pages include mechanical, packaging, and orderable information. This information is the most current data available for the designated devices. This data is subject to change without notice and revision of this document. For browser-based versions of this data sheet, refer to the left-hand navigation.

重要なお知らせと免責事項

テキサス・インスツルメンツは、技術データと信頼性データ (データシートを含みます)、設計リソース (リファレンス デザインを含みます)、アプリケーションや設計に関する各種アドバイス、Web ツール、安全性情報、その他のリソースを、欠陥が存在する可能性のある「現状のまま」提供しており、商品性および特定目的に対する適合性の黙示保証、第三者の知的財産権の非侵害保証を含むいかなる保証も、明示的または黙示的にかかわらず拒否します。

これらのリソースは、テキサス・インスツルメンツ製品を使用する設計の経験を積んだ開発者への提供を意図したものです。(1) お客様のアプリケーションに適した テキサス・インスツルメンツ製品の選定、(2) お客様のアプリケーションの設計、検証、試験、(3) お客様のアプリケーションに該当する各種規格や、その他のあらゆる安全性、セキュリティ、規制、または他の要件への確実な適合に関する責任を、お客様のみが単独で負うものとします。

上記の各種リソースは、予告なく変更される可能性があります。これらのリソースは、リソースで説明されている テキサス・インスツルメンツ製品を使用するアプリケーションの開発の目的でのみ、テキサス・インスツルメンツはその使用をお客様に許諾します。これらのリソースに関して、他の目的で複製することや掲載することは禁止されています。テキサス・インスツルメンツや第三者の知的財産権のライセンスが付与されている訳ではありません。お客様は、これらのリソースを自身で使用した結果発生するあらゆる申し立て、損害、費用、損失、責任について、テキサス・インスツルメンツおよびその代理人を完全に補償するものとし、テキサス・インスツルメンツは一切の責任を拒否します。

テキサス・インスツルメンツの製品は、[テキサス・インスツルメンツの販売条件](#)、または [ti.com](https://www.ti.com) やかかる テキサス・インスツルメンツ製品の関連資料などのいずれかを通じて提供する適用可能な条項の下で提供されています。テキサス・インスツルメンツがこれらのリソースを提供することは、適用されるテキサス・インスツルメンツの保証または他の保証の放棄の拡大や変更を意味するものではありません。

お客様がいかなる追加条項または代替条項を提案した場合でも、テキサス・インスツルメンツはそれらに異議を唱え、拒否します。

郵送先住所: Texas Instruments, Post Office Box 655303, Dallas, Texas 75265

Copyright © 2024, Texas Instruments Incorporated

PACKAGING INFORMATION

Orderable part number	Status (1)	Material type (2)	Package Pins	Package qty Carrier	RoHS (3)	Lead finish/ Ball material (4)	MSL rating/ Peak reflow (5)	Op temp (°C)	Part marking (6)
TPS26750SRSMR	Active	Production	VQFN (RSM) 32	3000 LARGE T&R	Yes	NIPDAU	Level-2-260C-1 YEAR	-40 to 125	26750S BG
TPS26750SRSMR.A	Active	Production	VQFN (RSM) 32	3000 LARGE T&R	Yes	NIPDAU	Level-2-260C-1 YEAR	-40 to 125	26750S BG
TPS26750SRSMR.B	Active	Production	VQFN (RSM) 32	3000 LARGE T&R	Yes	NIPDAU	Level-2-260C-1 YEAR	-40 to 125	26750S BG

(1) **Status:** For more details on status, see our [product life cycle](#).

(2) **Material type:** When designated, preproduction parts are prototypes/experimental devices, and are not yet approved or released for full production. Testing and final process, including without limitation quality assurance, reliability performance testing, and/or process qualification, may not yet be complete, and this item is subject to further changes or possible discontinuation. If available for ordering, purchases will be subject to an additional waiver at checkout, and are intended for early internal evaluation purposes only. These items are sold without warranties of any kind.

(3) **RoHS values:** Yes, No, RoHS Exempt. See the [TI RoHS Statement](#) for additional information and value definition.

(4) **Lead finish/Ball material:** Parts may have multiple material finish options. Finish options are separated by a vertical ruled line. Lead finish/Ball material values may wrap to two lines if the finish value exceeds the maximum column width.

(5) **MSL rating/Peak reflow:** The moisture sensitivity level ratings and peak solder (reflow) temperatures. In the event that a part has multiple moisture sensitivity ratings, only the lowest level per JEDEC standards is shown. Refer to the shipping label for the actual reflow temperature that will be used to mount the part to the printed circuit board.

(6) **Part marking:** There may be an additional marking, which relates to the logo, the lot trace code information, or the environmental category of the part.

Multiple part markings will be inside parentheses. Only one part marking contained in parentheses and separated by a "~" will appear on a part. If a line is indented then it is a continuation of the previous line and the two combined represent the entire part marking for that device.

Important Information and Disclaimer: The information provided on this page represents TI's knowledge and belief as of the date that it is provided. TI bases its knowledge and belief on information provided by third parties, and makes no representation or warranty as to the accuracy of such information. Efforts are underway to better integrate information from third parties. TI has taken and continues to take reasonable steps to provide representative and accurate information but may not have conducted destructive testing or chemical analysis on incoming materials and chemicals. TI and TI suppliers consider certain information to be proprietary, and thus CAS numbers and other limited information may not be available for release.

In no event shall TI's liability arising out of such information exceed the total purchase price of the TI part(s) at issue in this document sold by TI to Customer on an annual basis.

TAPE AND REEL INFORMATION

QUADRANT ASSIGNMENTS FOR PIN 1 ORIENTATION IN TAPE


*All dimensions are nominal

Device	Package Type	Package Drawing	Pins	SPQ	Reel Diameter (mm)	Reel Width W1 (mm)	A0 (mm)	B0 (mm)	K0 (mm)	P1 (mm)	W (mm)	Pin1 Quadrant
TPS26750SRSMR	VQFN	RSM	32	3000	330.0	12.4	4.25	4.25	1.15	8.0	12.0	Q2

TAPE AND REEL BOX DIMENSIONS


*All dimensions are nominal

Device	Package Type	Package Drawing	Pins	SPQ	Length (mm)	Width (mm)	Height (mm)
TPS26750SRSMR	VQFN	RSM	32	3000	367.0	367.0	35.0

GENERIC PACKAGE VIEW

RSM 32

VQFN - 1 mm max height

4 x 4, 0.4 mm pitch

PLASTIC QUAD FLATPACK - NO LEAD

This image is a representation of the package family, actual package may vary.
Refer to the product data sheet for package details.



4224982/A

RSM0032B



PACKAGE OUTLINE

VQFN - 1 mm max height

PLASTIC QUAD FLATPACK - NO LEAD



NOTES:

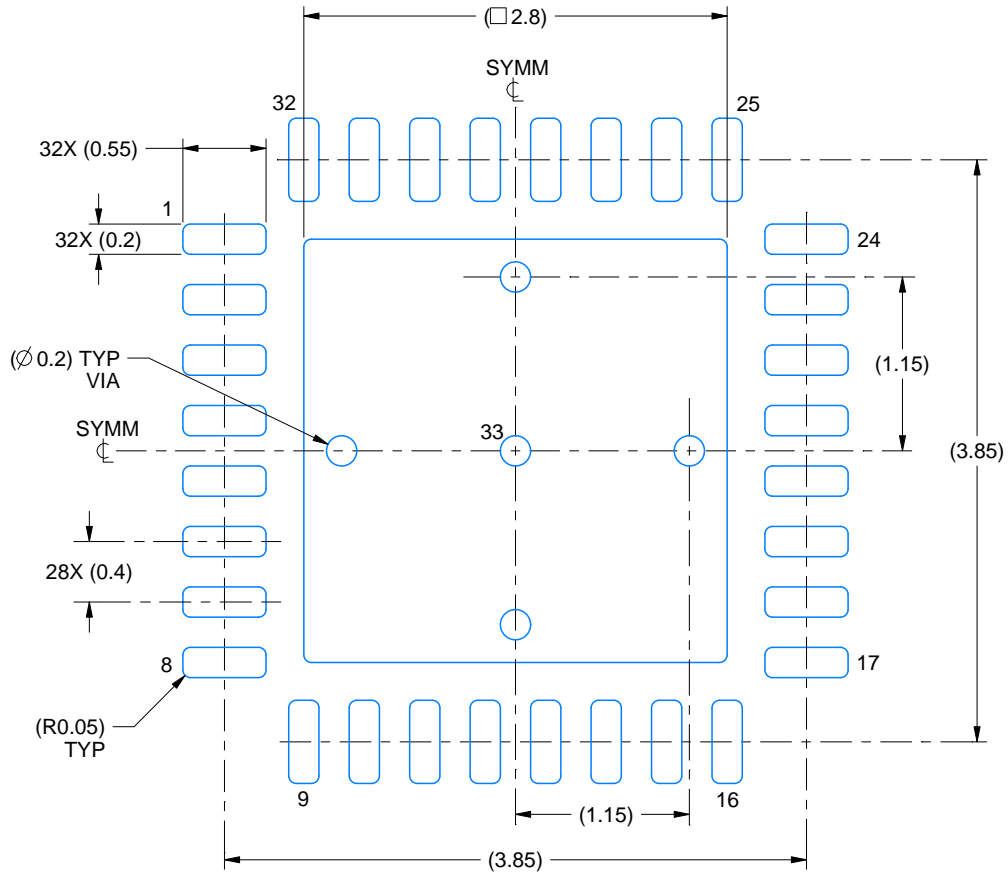
1. All linear dimensions are in millimeters. Any dimensions in parenthesis are for reference only. Dimensioning and tolerancing per ASME Y14.5M.
2. This drawing is subject to change without notice.
3. The package thermal pad must be soldered to the printed circuit board for thermal and mechanical performance.

EXAMPLE BOARD LAYOUT

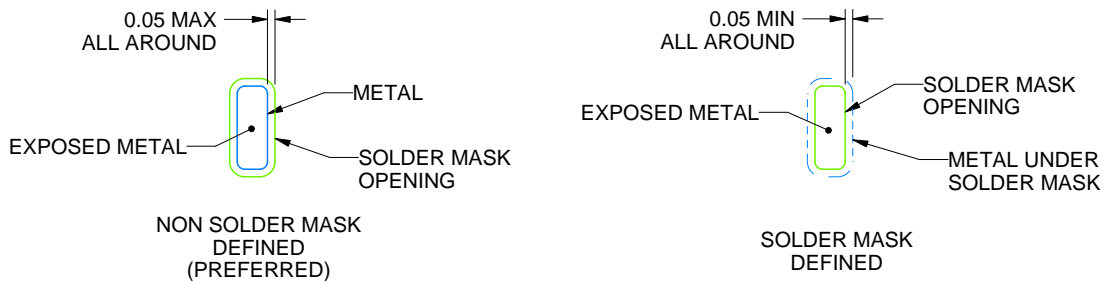
RSM0032B

VQFN - 1 mm max height

PLASTIC QUAD FLATPACK - NO LEAD



LAND PATTERN EXAMPLE
EXPOSED METAL SHOWN
SCALE:20X



SOLDER MASK DETAILS

4219108/B 08/2019

NOTES: (continued)

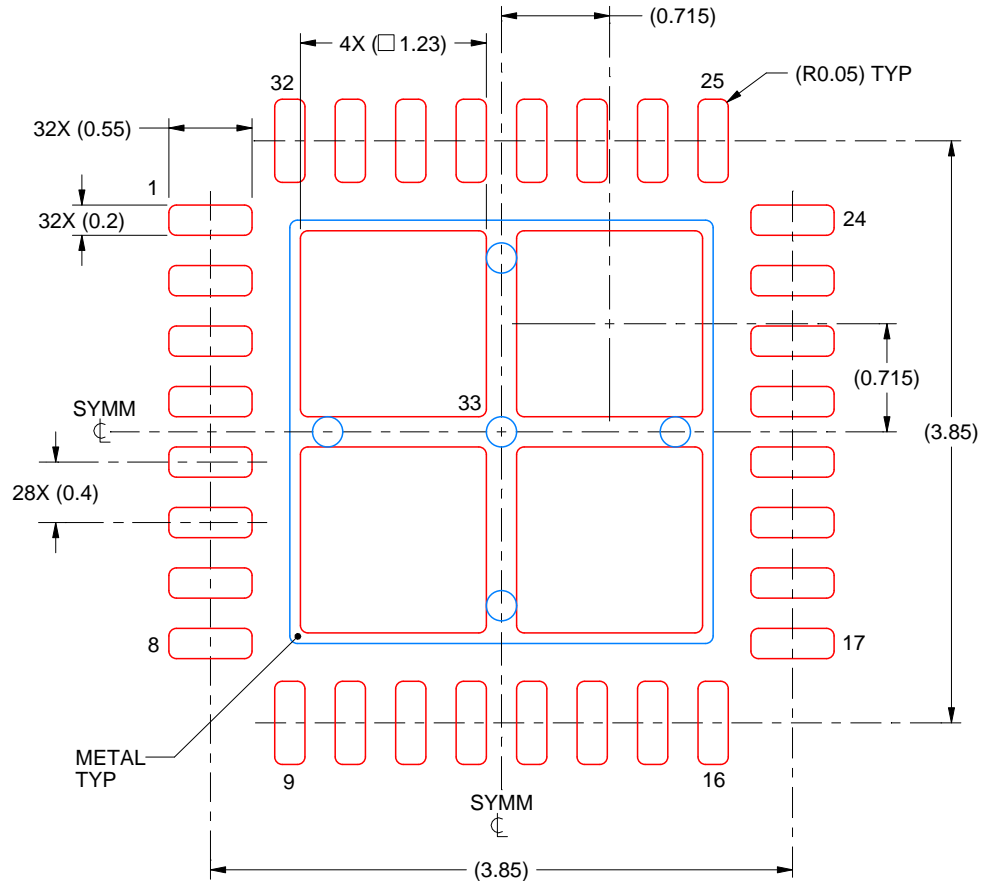
4. This package is designed to be soldered to a thermal pad on the board. For more information, see Texas Instruments literature number SLUA271 (www.ti.com/lit/slue271).
5. Vias are optional depending on application, refer to device data sheet. If any vias are implemented, refer to their locations shown on this view. It is recommended that vias under paste be filled, plugged or tented.

EXAMPLE STENCIL DESIGN

RSM0032B

VQFN - 1 mm max height

PLASTIC QUAD FLATPACK - NO LEAD



SOLDER PASTE EXAMPLE
 BASED ON 0.1 mm THICK STENCIL

EXPOSED PAD 33:
 77% PRINTED SOLDER COVERAGE BY AREA UNDER PACKAGE
 SCALE:20X

4219108/B 08/2019

NOTES: (continued)

- Laser cutting apertures with trapezoidal walls and rounded corners may offer better paste release. IPC-7525 may have alternate design recommendations.

重要なお知らせと免責事項

TI は、技術データと信頼性データ(データシートを含みます)、設計リソース(リファレンス デザインを含みます)、アプリケーションや設計に関する各種アドバイス、Web ツール、安全性情報、その他のリソースを、欠陥が存在する可能性のある「現状のまま」提供しており、商品性および特定目的に対する適合性の黙示保証、第三者の知的財産権の非侵害保証を含むいかなる保証も、明示的または黙示的にかかわらず拒否します。

これらのリソースは、TI 製品を使用する設計の経験を積んだ開発者への提供を意図したものです。(1) お客様のアプリケーションに適した TI 製品の選定、(2) お客様のアプリケーションの設計、検証、試験、(3) お客様のアプリケーションに該当する各種規格や、その他のあらゆる安全性、セキュリティ、規制、または他の要件への確実な適合に関する責任を、お客様のみが単独で負うものとし、

上記の各種リソースは、予告なく変更される可能性があります。これらのリソースは、リソースで説明されている TI 製品を使用するアプリケーションの開発の目的でのみ、TI はその使用をお客様に許諾します。これらのリソースに関して、他の目的で複製することや掲載することは禁止されています。TI や第三者の知的財産権のライセンスが付与されている訳ではありません。お客様は、これらのリソースを自身で使用した結果発生するあらゆる申し立て、損害、費用、損失、責任について、TI およびその代理人を完全に補償するものとし、TI は一切の責任を拒否します。

TI の製品は、[TI の販売条件](#)、[TI の総合的な品質ガイドライン](#)、[ti.com](#) または TI 製品などに関連して提供される他の適用条件に従い提供されます。TI がこれらのリソースを提供することは、適用される TI の保証または他の保証の放棄の拡大や変更を意味するものではありません。TI がカスタム、またはカスタマー仕様として明示的に指定していない限り、TI の製品は標準的なカタログに掲載される汎用機器です。

お客様がいかなる追加条項または代替条項を提案する場合も、TI はそれらに異議を唱え、拒否します。

Copyright © 2025, Texas Instruments Incorporated

最終更新日：2025 年 10 月