

DS92LV0411 / DS92LV0412 5 - 50 MHz Channel Link II Serializer/Deserializer with LVDS Parallel Interface

Check for Samples: [DS92LV0411](#), [DS92LV0412](#)

FEATURES

- **5-Channel (4 data + 1 clock) Channel Link LVDS Parallel Interface Supports 24-bit Data 3-bit Control at 5 – 50 MHz**
- **AC Coupled STP Interconnect up to 10 Meters in Length**
- **Integrated Serial CML Terminations**
- **AT–SPEED BIST Mode and Status Pin**
- **Optional I2C Compatible Serial Control Bus**
- **Power Down Mode Minimizes Power Dissipation**
- **1.8V or 3.3V Compatible Control Pin Interface**
- **>8 kV ESD (HBM) Protection**
- **-40° to +85°C Temperature Range**
- **SERIALIZER – DS92LV0411**
- **Data Scrambler for Reduced EMI**
- **DC–Balance Encoder for AC Coupling**
- **Selectable Output VOD and Adjustable De-Emphasis**
- **DESERIALIZER – DS92LV0412**
- **Random Data Lock; No Reference Clock Required**
- **Adjustable Input Receiver Equalization**
- **EMI Minimization on Output Parallel Bus (Spread Spectrum Clock Generation and LVDS VOD Select)**

APPLICATIONS

- **Embedded Video and Display**
- **Machine Vision, Industrial Imaging, Medical Imaging**
- **Office Automation — Printers, Scanners, Copiers**
- **Security and Video Surveillance**
- **General purpose data communication**

DESCRIPTION

The DS92LV0411 (serializer) and DS92LV0412 (deserializer) chipset translates a Channel Link LVDS video interface (4 LVDS Data + LVDS Clock) into a high-speed serialized interface over a single CML pair.

The DS92LV0411/DS92LV0412 enables applications that currently use the popular Channel Link or Channel Link style devices to seamlessly upgrade to an embedded clock interface to reduce interconnect cost or ease design challenges. The parallel LVDS interface also reduces FPGA I/O pins, board trace count and alleviates EMI issues, when compared to traditional single-ended wide bus interfaces.

Programmable transmit de-emphasis, receive equalization, on-chip scrambling and DC balancing enables longer distance transmission over lossy cables and backplanes. The Deserializer automatically locks to incoming data without an external reference clock or special sync patterns, providing easy “plug-and-go” operation.

The DS92LV0411 and DS92LV0412 are programmable through an I2C interface as well as by pins. A built-in AT-SPEED BIST feature validates link integrity and may be used for system diagnostics.

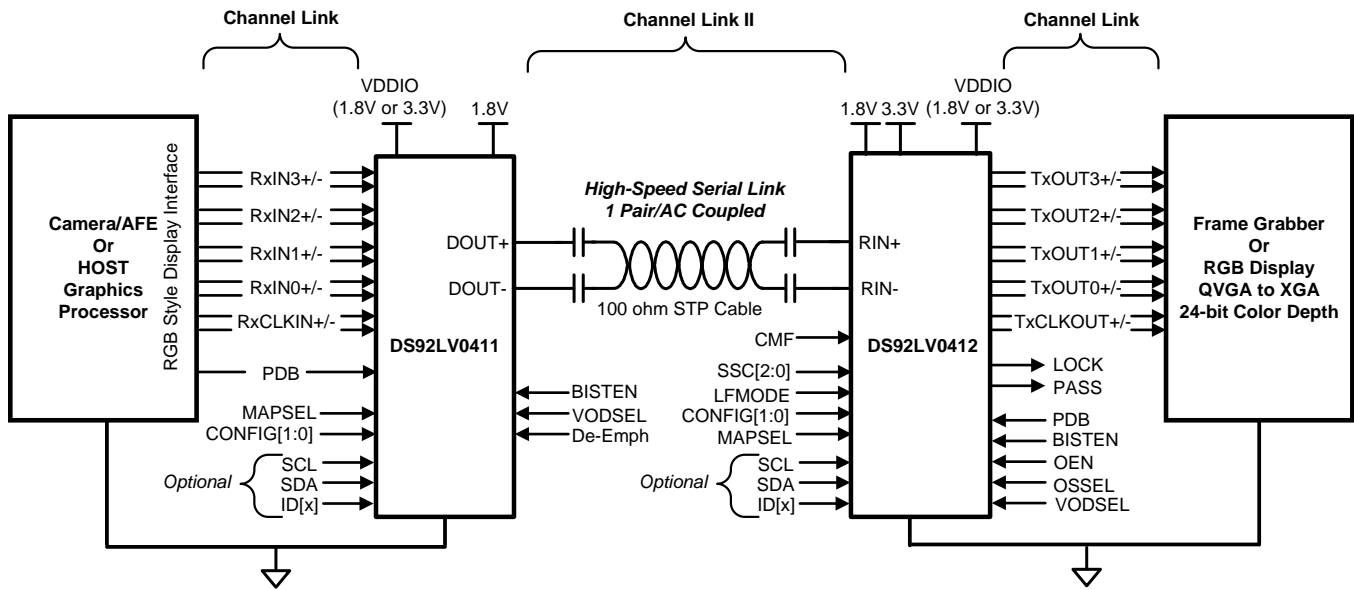
The DS92LV0411 and DS92LV0412 can be used interchangeably with the DS92LV2411 or DS92LV2412. This allows designers the flexibility to connect to the host device and receiving devices with different interface types, LVDS or LVCMOS.



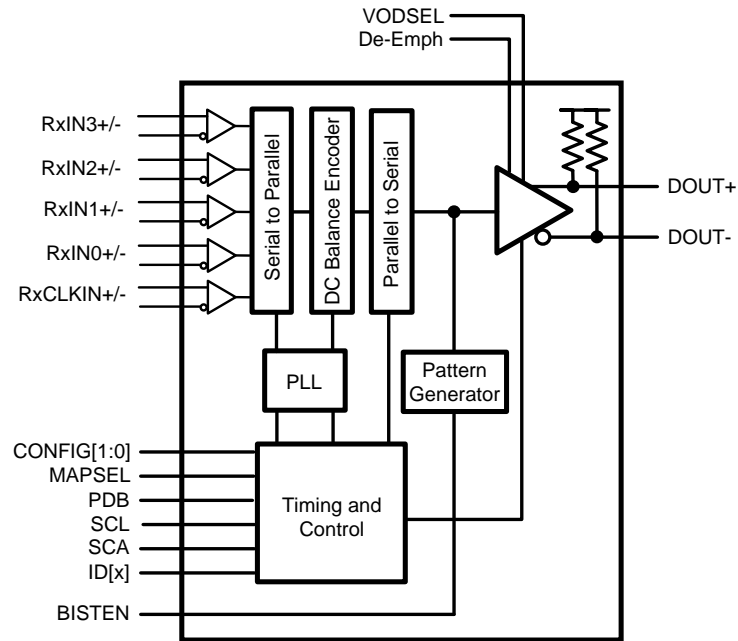
Please be aware that an important notice concerning availability, standard warranty, and use in critical applications of Texas Instruments semiconductor products and disclaimers thereto appears at the end of this data sheet.

All trademarks are the property of their respective owners.

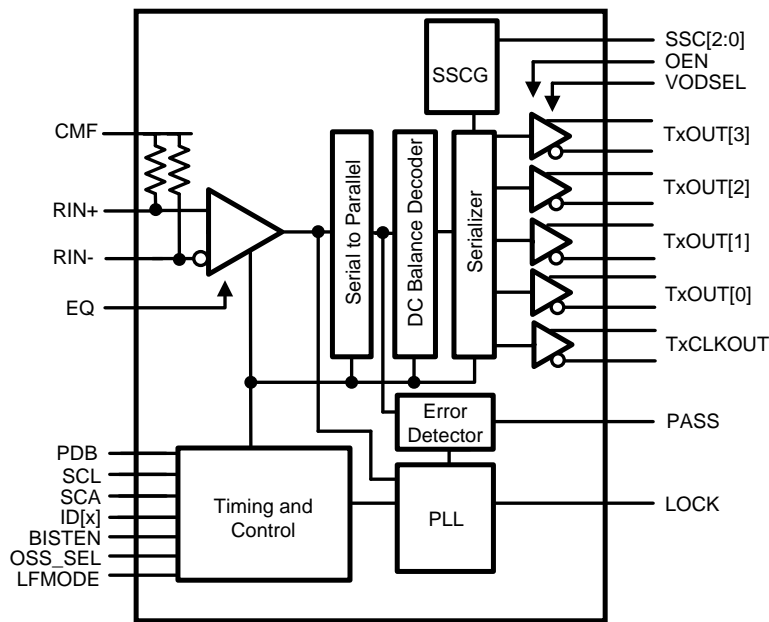
Applications Diagram



Block Diagrams



DS92LV0411



DS92LV0412

DS92LV0411 Pin Diagram

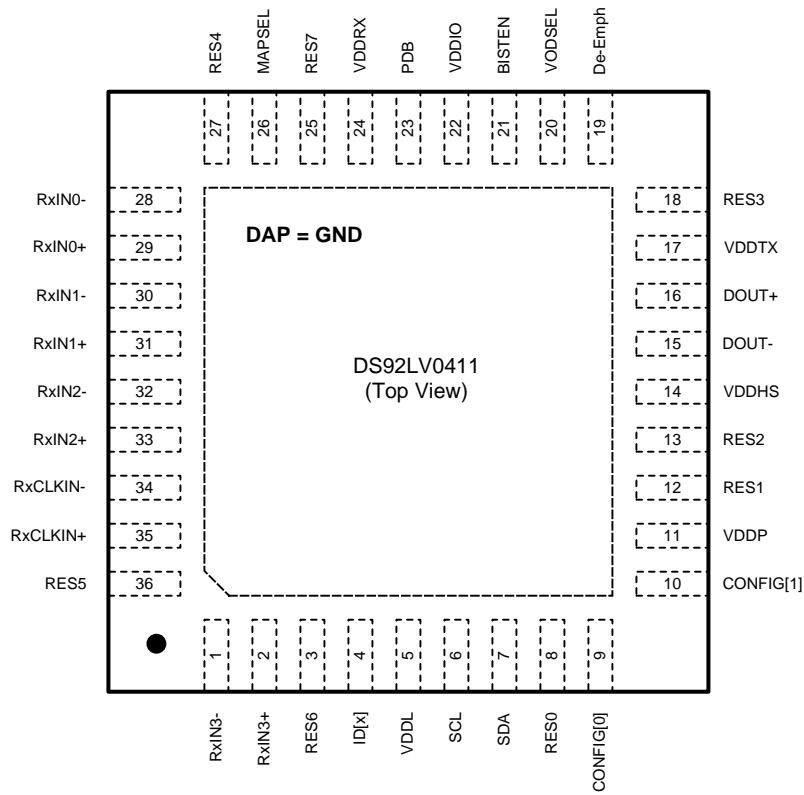


Figure 1. DS92LV0411 — Top View

Table 1. DS92LV0411 PIN DESCRIPTIONS

| Pin Name | Pin # | I/O, Type | Description |
|--|------------------------------|---------------------------|--|
| Channel Link Parallel Input Interface | | | |
| RxIN[3:0]+ | 2, 33, 31, 29 | I, LVDS | True LVDS Data Input These inputs require an external 100 Ω differential termination for standard LVDS levels. |
| RxIN[3:0]- | 1, 34, 32, 30, 28 | I, LVDS | Inverting LVDS Data Input These inputs require an external 100 Ω differential termination for standard LVDS levels. |
| RxCLKIN+ | 35 | I, LVDS | True LVDS Clock Input These inputs require an external 100 Ω differential termination for standard LVDS levels. |
| RxCLKIN- | 34 | I, LVDS | Inverting LVDS Clock Input These inputs require an external 100 Ω differential termination for standard LVDS levels. |
| Control and Configuration | | | |
| PDB | 23 | I, LVCMOS w/ pull-down | Power-down Mode Input PDB = 1, Device is enabled (normal operation). Refer to POWER UP REQUIREMENTS AND PDB PIN in the Applications Information Section. PDB = 0, Device is powered down When the Device is in the power-down state, the driver outputs (DOUT+/-) are both logic high, the PLL is shutdown, IDD is minimized. Control Registers are RESET . |
| VODSEL | 20 | I, LVCMOS w/ pull-down | Differential Driver Output Voltage Select — Pin or Register Control VODSEL = 1, LVDS VOD is ±450 mV, 900 mVp-p (typ) — Long Cable / De-E Applications VODSEL = 0, LVDS VOD is ±300 mV, 600 mVp-p (typ) |
| De-Emph | 19 | I, Analog w/ pull-up | De-Emphasis Control — Pin or Register Control De-Emph = open (float) - disabled To enable De-emphasis, tie a resistor from this pin to GND or control via register. (See Table 5) |
| MAPSEL | 26 | I, LVCMOS w/ pull-down | Channel Link Map Select — Pin or Register Control MAPSEL = 1, MSB on RxIN3+/- . (See Figure 23) MAPSEL = 0, LSB on RxIN3+/- . (See Figure 22) |
| CONFIG[1:0] | 10, 9 | I, LVCMOS w/ pull-down | Operating Modes Determines the device operating mode and interfacing device. (See Table 2) CONFIG[1:0] = 00: Interfacing to DS92LV2412 or DS92LV0412, Control Signal Filter DISABLED CONFIG[1:0] = 01: Interfacing to DS92LV2412 or DS92LV0412, Control Signal Filter ENABLED CONFIG [1:0] = 10: Interfacing to DS90UR124, DS99R124 CONFIG [1:0] = 11: Interfacing to DS90C124 |
| ID[x] | 4 | I, Analog | Serial Control Bus Device ID Address Select — Optional Resistor to Ground and 10 kΩ pull-up to 1.8V rail. (See Table 11) |
| SCL | 6 | I, LVCMOS | Serial Control Bus Clock Input - Optional SCL requires an external pull-up resistor to 3.3V |
| SDA | 7 | I/O, LVCMOS Open Drain | Serial Control Bus Data Input / Output - Optional SDA requires an external pull-up resistor to 3.3V |
| BISTEN | 21 | I, LVCMOS w/ pull-down | BIST Mode — Optional BISTEN = 1, BIST is enabled BISTEN = 0, BIST is disabled |
| RES[7:0] | 25, 3, 36, 27, 18, 13, 12, 8 | I, LVCMOS w/ pull-down | Reserved - tie LOW |
| Channel Link II Serial Interface | | | |
| DOUT+ | 16 | O, CML | True Output. The output must be AC Coupled with a 0.1 μF capacitor. |
| DOUT- | 15 | O, CML | Inverting Output. The output must be AC Coupled with a 0.1 μF capacitor. |

Table 1. DS92LV0411 PIN DESCRIPTIONS (continued)

| Pin Name | Pin # | I/O, Type | Description |
|---------------------------------------|-------|-----------|--|
| Power and Ground⁽¹⁾ | | | |
| VDDL | 5 | Power | Logic Power, 1.8 V ±5% |
| VDDP | 11 | Power | PLL Power, 1.8 V ±5% |
| VDDHS | 14 | Power | TX High Speed Logic Power, 1.8 V ±5% |
| VDDTX | 17 | Power | Output Driver Power, 1.8 V ±5% |
| VDDRX | 24 | Power | RX Power, 1.8 V ±5% |
| VDDIO | 22 | Power | LVC MOS I/O Power and Channel Link I/O Power 1.8 V ±5% OR 3.3 V ±10% |
| GND | DAP | Ground | DAP is the large metal contact at the bottom side, located at the center of the WQFN package. Connect to the ground plane (GND) with at least 9 vias. |

(1) 1 = HIGH, 0 = LOW. The VDD (V_{DDn} and V_{DDIO}) supply ramp should be faster than 1.5 ms with a monotonic rise. If slower than 1.5 ms then a capacitor on the PDB pin is needed to ensure PDB arrives after all the VDD have settled to the recommended operating voltage.

DS92LV0412 Pin Diagram

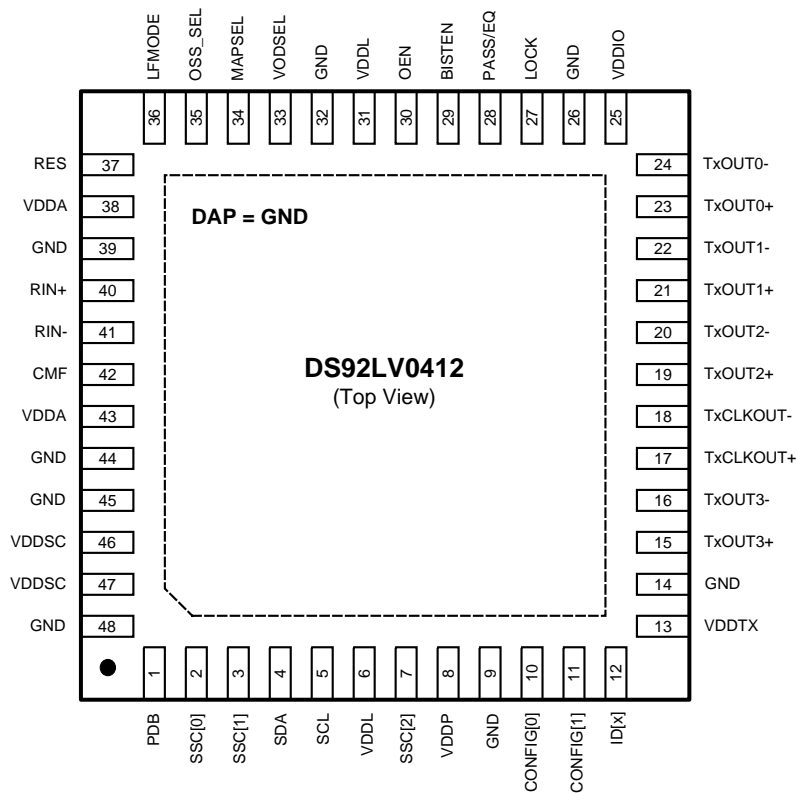


Figure 2. DS92LV0412 — Top View

DS92LV0412 PIN DESCRIPTIONS

| Pin Name | Pin # | I/O, Type | Description |
|---|----------------|-------------------------------------|---|
| Channel Link II Serial Interface | | | |
| RIN+ | 40 | I, CML | True Input. The output must be AC Coupled with a 0.1 μ F capacitor. |
| RIN- | 41 | I, CML | Inverting Input. The output must be AC Coupled with a 0.1 μ F capacitor. |
| CMF | 42 | I, Analog | Common Mode Filter VCM center tap is a virtual ground which can be AC-coupled to ground to increase receiver common mode noise immunity. Recommended value is 4.7 μ F or higher. |
| Channel Link Parallel Output Interface | | | |
| RxIN[3:0]+ | 15, 19, 21, 23 | O, LVDS | True LVDS Data Output |
| RxIN[3:0]- | 16, 20, 22, 24 | O, LVDS | Inverting LVDS Data Output |
| RxCLKIN+ | 17 | O, LVDS | True LVDS Clock Output |
| RxCLKIN- | 18 | O, LVDS | Inverting LVDS Clock Output |
| LVC MOS Outputs | | | |
| LOCK | 27 | O, LVC MOS | LOCK Status Output LOCK = 1, PLL is locked, output stated determined by OEN. LOCK = 0, PLL is unlocked, output states determined by OSS_SEL and OEN. (See Table 6) |
| Control and Configuration | | | |
| PDB | 1 | I, LVC MOS w/ pull-down | Power-down Mode Input PDB = 1, Device is enabled (normal operation). PDB = 0, Device is powered down and the outputs are Tri-State Control Registers are RESET . |
| VODSEL | 33 | I, LVC MOS w/ pull-down | Parallel LVDS Driver Output Voltage Select — Pin or Register Control VODSEL = 1, LVDS VOD is \pm 400 mV, 800 mVp-p (typ) — Long Cable / De-E Applications VODSEL = 0, LVDS VOD is \pm 250 mV, 500 mVp-p (typ) |
| OEN | 30 | I, LVC MOS w/ pull-down | Output Enable. (See Table 6) |
| OSS_SEL | 35 | I, LVC MOS w/ pull-down | Output Sleep State Select Input. (See Table 6) |
| LFMODE | 36 | I, LVC MOS w/ pull-down | SSCG Low Frequency Mode — Pin or Register Control LF_MODE = 1, low frequency mode (TxCLKOUT = 10–20 MHz) LF_MODE = 0, high frequency mode (TxCLKOUT = 20–65 MHz) SSCG not available above 65 MHz. |
| MAPSEL | 34 | I, LVC MOS w/ pull-down | Channel Link Map Select — Pin or Register Control MAPSEL = 1, MSB on TxOUT3+/- (See Figure 23) MAPSEL = 0, LSB on TxOUT3+/- (See Figure 22) |
| CONFIG[1:0] | 11, 10 | I, LVC MOS w/ pull-down | Operating Modes Determine the device operating mode and interfacing device. (See Table 2) CONFIG[1:0] = 00: Interfacing to DS92LV2411 or DS92LV0411, Control Signal Filter DISABLED CONFIG[1:0] = 01: Interfacing to DS92LV2411 or DS92LV0411, Control Signal Filter ENABLED CONFIG [1:0] = 10: Interfacing to DS90UR241, DS99R421 CONFIG [1:0] = 11: Interfacing to DS90C241 |
| SSC[2:0] | 7, 2, 3 | I, LVC MOS w/ pull-down | Spread Spectrum Clock Generation (SSCG) Range Select (See Table 9 and Table 10) |
| RES | 37 | I, LVC MOS w/ pull-down | Reserved |
| Control and Configuration — STRAP PIN | | | |
| EQ | 28 [PASS] | STRAP I, LVC MOS w/ pull-down | EQ Gain Control of Channel Link II Serial Input EQ = 1, EQ gain is enabled (~13 dB) EQ = 0, EQ gain is disabled (~ 1.625 dB) |

DS92LV0412 PIN DESCRIPTIONS (continued)

| Pin Name | Pin # | I/O, Type | Description |
|---------------------------------------|----------------------------------|---------------------------|---|
| Optional BIST Mode | | | |
| BISTEN | 29 | I, LVCMOS w/ pull-down | BIST Mode — Optional BISTEN = 1, BIST is enabled BISTEN = 0, BIST is disabled |
| PASS | 28 | O, LVCMOS | PASS Output (BIST Mode) — Optional PASS = 1, no errors detected PASS = 0, errors detected Leave open if unused. Route to a test point (pad) recommended. |
| Optional Serial Bus Control | | | |
| ID[x] | 12 | I, Analog | Serial Control Bus Device ID Address Select — Optional Resistor to Ground and 10 kΩ pull-up to 1.8V rail. (See Table 11) |
| SCL | 5 | I, LVCMOS Open Drain | Serial Control Bus Clock Input - Optional SCL requires an external pull-up resistor to 3.3V. |
| SDA | 4 | I/O, LVCMOS Open Drain | Serial Control Bus Data Input / Output - Optional SDA requires an external pull-up resistor 3.3V. |
| Power and Ground⁽¹⁾ | | | |
| VDDL | 6, 31 | Power | Logic Power, 1.8 V ±5% |
| VDDA | 38, 43 | Power | Analog Power, 1.8 V ±5% |
| VDDP | 8 | Power | PLL Power, 1.8 V ±5% |
| VDDSC | 46, 47 | Power | SSC Generator Power, 1.8 V ±5%. Power must be connected to these pins regardless if the SSCG feature is used or not. |
| VDDTX | 13 | Power | Channel Link LVDS Parallel Output Power, 3.3 V ±10% |
| VDDIO | 25 | Power | LVCMOS I/O Power and Channel Link I/O Power 1.8 V ±5% OR 3.3 V ±10% |
| GND | 9, 14, 26, 32, 39, 44, 45, 48 | Ground | Ground |
| DAP | DAP | Ground | DAP is the large metal contact at the bottom side, located at the center of the WQFN package. Connect to the ground plane (GND) with at least 9 vias. |

(1) 1= HIGH, 0 = LOW. The VDD (V_{DDn} and V_{DDIO}) supply ramp should be faster than 1.5 ms with a monotonic rise. If slower than 1.5 ms then a capacitor on the PDB pin is needed to ensure PDB arrives after all the VDD have settled to the recommended operating voltage.



These devices have limited built-in ESD protection. The leads should be shorted together or the device placed in conductive foam during storage or handling to prevent electrostatic damage to the MOS gates.

Absolute Maximum Ratings⁽¹⁾⁽²⁾

| | |
|---|--------------------------------|
| Supply Voltage – V_{DDn} (1.8V) | -0.3V to +2.5V |
| Supply Voltage – V_{DDIO} | -0.3V to +4.0V |
| Supply Voltage – V_{DDTX} (1.8V, Ser) | -0.3V to +2.5V |
| Supply Voltage – V_{DDTX} (3.3V, Des) | -0.3V to +4.0V |
| LVCMOS I/O Voltage | -0.3V to ($V_{DDIO} + 0.3V$) |
| LVDS Input Voltage | -0.3V to ($V_{DDIO} + 0.3V$) |
| LVDS Output Voltage | -0.3V to ($V_{DDTX} + 0.3V$) |
| CML Driver Output Voltage | -0.3V to ($V_{DDn} + 0.3V$) |
| Receiver Input Voltage | -0.3V to ($V_{DD} + 0.3V$) |
| Junction Temperature | +150°C |
| Storage Temperature | -65°C to +150°C |
| 36L WQFN Package | |
| Maximum Power Dissipation Capacity at 25°C | |
| Derate above 25°C | 1/ θ_{JA} °C/W |
| θ_{JA} (with 9 thermal via) | 27.4 °C/W |
| θ_{JC} (with 9 thermal via) | 4.5 °C/W |
| 48L WQFN Package | |
| Maximum Power Dissipation Capacity at 25°C | |
| Derate above 25°C | 1/ θ_{JA} °C/W |
| θ_{JA} (with 9 thermal via) | 27.7 °C/W |
| θ_{JC} (with 9 thermal via) | 3.0 °C/W |
| ESD Rating (IEC, powered-up only), $R_D = 330\Omega$, $C_S = 150$ pF | |
| Air Discharge (D_{OUT+} , D_{OUT-} , R_{IN+} , R_{IN-}) | $\geq \pm 30$ kV |
| Contact Discharge (D_{OUT+} , D_{OUT-} , R_{IN+} , R_{IN-}) | $\geq \pm 8$ kV |
| ESD Rating (HBM) | $\geq \pm 8$ kV |
| ESD Rating (CDM) | $\geq \pm 1.25$ kV |
| ESD Rating (MM) | $\geq \pm 250$ V |
| For soldering specifications: http://www.ti.com/lit/SNOA549 | |

- (1) Absolute Maximum Ratings indicate limits beyond which damage to the device may occur, including inoperability and degradation of device reliability and/or performance. Functional operation of the device and/or non-degradation at the Absolute Maximum Ratings or other conditions beyond those indicated in the Recommended Operating Conditions is not implied. The Recommended Operating Conditions indicate conditions at which the device is functional and the device should not be operated beyond such conditions.
- (2) If Military/Aerospace specified devices are required, please contact the Texas Instruments Sales Office/ Distributors for availability and specifications.

Recommended Operating Conditions

| | Min | Nom | Max | Units |
|--|------|-----|------|-------------------|
| Supply Voltage (V_{DDn}) | 1.71 | 1.8 | 1.89 | V |
| Supply Voltage (V_{DDTX_Ser}) | 1.71 | 1.8 | 1.89 | V |
| Supply Voltage (V_{DDTX_Des}) | 3.0 | 3.3 | 3.6 | V |
| LVC MOS Supply Voltage (V_{DDIO}) | 1.71 | 1.8 | 1.89 | V |
| OR | | | | |
| LVC MOS Supply Voltage (V_{DDIO}) | 3.0 | 3.3 | 3.6 | V |
| Operating Free Air Temperature (T_A) | -40 | +25 | +85 | °C |
| RxCLKIN/TxCLKOUT Clock Frequency | 5 | | 50 | MHz |
| Supply Noise ⁽¹⁾ | | | 100 | mV _{p-p} |

- (1) Supply noise testing was done with minimum capacitors on the PCB. A sinusoidal signal is AC coupled to the V_{DDn} (1.8V) supply with amplitude = 100 mV_{p-p} measured at the device V_{DDn} pins. Bit error rate testing of input to the Ser and output of the Des with 10 meter cable shows no error when the noise frequency on the Ser is less than 750 kHz. The Des on the other hand shows no error when the noise frequency is less than 400 kHz.

DC Electrical Characteristics

Over recommended operating supply and temperature ranges unless otherwise specified. ⁽¹⁾⁽²⁾⁽³⁾⁽⁴⁾⁽⁵⁾

| Symbol | Parameter | Conditions | Pin/Freq. | Min | Typ | Max | Units | |
|---|--------------------------|------------------------------|--|-----------------------------|-----|------------|-------------------|----|
| DS92LV0411 LVC MOS INPUT DC SPECIFICATIONS | | | | | | | | |
| V_{IH} | High Level Input Voltage | $V_{DDIO} = 3.0$ to $3.6V$ | PDB, VODSEL, MAPSEL, CONFIG[1:0], BISTEN | 2.2 | | V_{DDIO} | V | |
| | | $V_{DDIO} = 1.71$ to $1.89V$ | | $0.65^* V_{DDIO}$ | | V_{DDIO} | V | |
| V_{IL} | Low Level Input Voltage | $V_{DDIO} = 3.0$ to $3.6V$ | | GND | | | 0.8 | V |
| | | $V_{DDIO} = 1.71$ to $1.89V$ | | GND | | | $0.35^* V_{DDIO}$ | V |
| I_{IN} | Input Current | $V_{IN} = 0V$ or V_{DDIO} | | $V_{DDIO} = 3.0$ to $3.6V$ | -15 | ±1 | +15 | µA |
| | | | | $V_{DDIO} = 1.7$ to $1.89V$ | -15 | ±1 | +15 | µA |
| DS92LV0412 LVC MOS I/O DC SPECIFICATIONS | | | | | | | | |
| V_{IH} | High Level Input Voltage | $V_{DDIO} = 3.0$ to $3.6V$ | PDB, VODSEL, OEN, MAPSEL, LFMODE, SSC[2:0], BISTEN | 2.2 | | V_{DDIO} | V | |
| | | $V_{DDIO} = 1.71$ to $1.89V$ | | $0.7^* V_{DDIO}$ | | V_{DDIO} | V | |
| V_{IL} | Low Level Input Voltage | $V_{DDIO} = 3.0$ to $3.6V$ | | GND | | | 0.8 | V |
| | | $V_{DDIO} = 1.71$ to $1.89V$ | | GND | | | $0.3^* V_{DDIO}$ | V |
| I_{IN} | Input Current | $V_{IN} = 0V$ or V_{DDIO} | | $V_{DDIO} = 3.0$ to $3.6V$ | -15 | ±1 | +15 | µA |
| | | | | $V_{DDIO} = 1.7$ to $1.89V$ | -10 | ±1 | +10 | µA |

- (1) The Electrical Characteristics tables list ensured specifications under the listed Recommended Operating Conditions except as otherwise modified or specified by the Electrical Characteristics Conditions and/or Notes. Typical specifications are estimations only and are not ensured.
- (2) Typical values represent most likely parametric norms at $V_{DD} = 1.8V$, $V_{DDIO} = 3.3V$, $T_A = +25$ °C, and at the Recommended Operation Conditions at the time of product characterization and are not ensured.
- (3) Current into device pins is defined as positive. Current out of a device pin is defined as negative. Voltages are referenced to ground except VOD, ΔVOD , V_{TH} and V_{TL} which are differential voltages.
- (4) Specification is ensured by characterization and is not tested in production.
- (5) Specification is ensured by design and is not tested in production.

DC Electrical Characteristics (continued)

 Over recommended operating supply and temperature ranges unless otherwise specified. ⁽¹⁾⁽²⁾⁽³⁾⁽⁴⁾⁽⁵⁾

| Symbol | Parameter | Conditions | | Pin/Freq. | Min | Typ | Max | Units | |
|---|---|--|-----------------------------------|---|--------------------------|-------------------|------|-------|--------|
| V _{OH} | High Level Output Voltage | V _{DDIO} = 3.3V I _{OH} = -2 mA | | LOCK, PASS | V _{DDIO} - 0.25 | V _{DDIO} | | V | |
| | | V _{DDIO} = 1.8V I _{OH} = -2 mA | | | V _{DDIO} - 0.2 | V _{DDIO} | | | |
| V _{OL} | Low Level Output Voltage | V _{DDIO} = 3.3 V or 1.8V I _{OL} = +0.5 mA | | | GND | | 0.2 | V | |
| I _{OS} | Output Short Circuit Current | V _{OUT} = 0V | V _{DDIO} = 3.0 to 3.6 V | | | -45 | | mA | |
| | | | V _{DDIO} = 1.71 to 1.89V | | | -13 | | | |
| I _{OZ} | Tri-State Output Current ⁽⁶⁾ | PDB = 0V, OSS_SEL = 0V, V _{OUT} = 0V or V _{DDIO} | V _{DDIO} = 3.0 to 3.6 V | | | -10 | | +10 | μA |
| | | | V _{DDIO} = 1.71 to 1.89V | | -15 | | +15 | | |
| DS92LV0411 CHANNEL LINK PARALLEL LVDS RECEIVER DC SPECIFICATIONS | | | | | | | | | |
| V _{TH} | Differential Threshold High Voltage | V _{CM} = 1.2V, (See Figure 3) | | RxIN[3:0]+/-, RxCLKIN+/-, | | | +100 | mV | |
| V _{TL} | Differential Threshold Low Voltage | | | | -100 | | | | |
| V _{ID} | Differential Input Voltage Swing | | | | 200 | | 600 | mV | |
| V _{CM} | Common Mode Voltage | V _{DDIO} = 3.3V | | | 0 | 1.2 | 2.4 | V | |
| | | V _{DDIO} = 1.8V | | | 0 | 1.2 | 1.55 | | |
| I _{IN} | Input Current | | | | -15 | ±1 | +15 | μA | |
| DS92LV0412 CHANNEL LINK PARALLEL LVDS DRIVER DC SPECIFICATIONS | | | | | | | | | |
| V _{OD} | Differential Output Voltage | R _L = 100Ω | | TxCLKOUT-, TxOUT[3:0]+, TxOUT[3:0]- | VODSEL = L | 100 | 250 | 400 | mV |
| | | | | | VODSEL = H | 200 | 400 | 600 | mV |
| V _{ODp-p} | Differential Output Voltage A – B | | | | VODSEL = L | | 500 | | mV p-p |
| | | | | | VODSEL = H | | 800 | | mV p-p |
| ΔV _{OD} | Output Voltage Unbalance | | | | | | 4 | 50 | mV |
| V _{OS} | Offset Voltage | | | | VODSEL = L | 1.0 | 1.2 | 1.5 | V |
| | | | | | VODSEL = H | | 1.2 | | V |
| ΔV _{OS} | Offset Voltage Unbalance | | | | | | 1 | 50 | mV |
| I _{OS} | Output Short Circuit Current | V _{OUT} = GND | | | | -5 | | mA | |
| I _{OZ} | Output Tri-State Current ⁽⁶⁾ | OEN = GND, V _{OUT} = V _{DDTX} , or GND | | | -10 | | +10 | μA | |

(6) When the device output is at Tri-State the Deserializer will lose PLL lock. Resynchronization / Relock must occur before data transfer require t_{PLD}

DC Electrical Characteristics (continued)Over recommended operating supply and temperature ranges unless otherwise specified.⁽¹⁾⁽²⁾⁽³⁾⁽⁴⁾⁽⁵⁾

| Symbol | Parameter | Conditions | Pin/Freq. | Min | Typ | Max | Units | | |
|--|--|--|-------------------------------|-----------------------------------|-------------------|-------------------|-------|-----------|-----|
| DS92LV0411 Channel Link II CML DRIVER DC SPECIFICATIONS | | | | | | | | | |
| V _{OD} | Differential Output Voltage | R _L = 100Ω, De-emph = disabled, (See Figure 5) | DOUT+, DOUT- | VODSEL = 0 | ±225 | ±300 | ±375 | mV | |
| | | | | VODSEL = 1 | ±350 | ±450 | ±550 | | |
| V _{ODp-p} | Differential Output Voltage (DOUT+) – (DOUT-) | | | VODSEL = 0 | | 600 | | mV p-p | |
| | | | | VODSEL = 1 | | 900 | | mV p-p | |
| ΔV _{OD} | Output Voltage Unbalance | R _L = 100Ω, De-emph = disabled, VODSEL = L | | | 1 | 50 | mV | | |
| V _{OS} | Offset Voltage – Single-ended At TP A & B, (See Figure 4) | R _L = 100Ω, De-emph = disabled | DOUT+, DOUT- | VODSEL = 0 | | 1.65 | V | | |
| | | | | VODSEL = 1 | | 1.575 | V | | |
| ΔV _{OS} | Offset Voltage Unbalance Single-ended At TP A & B, (See Figure 4) | R _L = 100Ω, De-emph = disabled | | | 1 | | mV | | |
| I _{OS} | Output Short Circuit Current | DOUT+/- = 0V, De-emph = disabled | VODSEL = 0 | | -35 | | mA | | |
| R _T | Internal Termination Resistor | | | 80 | | 120 | Ω | | |
| DS92LV0412 CHANNEL LINK II CML RECEIVER DC SPECIFICATIONS | | | | | | | | | |
| V _{TH} | Differential Input Threshold High Voltage | V _{CM} = +1.2V (Internal V _{BIAS}) | | | | +50 | mV | | |
| V _{TL} | Differential Input Threshold Low Voltage | | RIN+, -50 RIN- | | | mV | | | |
| V _{CM} | Common mode Voltage, Internal V _{BIAS} | | | 1.2 | | V | | | |
| R _T | Input Termination | | 80 | 100 | 120 | Ω | | | |
| DS92LV0411 SUPPLY CURRENT | | | | | | | | | |
| I _{DDT1} | Supply Current (includes load current) R _L = 100Ω, f = 50 MHz | Checker Board Pattern, De-emph = 3 kΩ, VODSEL = H, (See Figure 18) | V _{DD} = 1.89V | All V _{DD} pins | | 80 | 90 | mA | |
| I _{DDIOT1} | | | V _{DDIO} = 1.89V | | V _{DDIO} | | 3 | 5 | mA |
| | | | V _{DDIO} = 3.6V | | | | 10 | 13 | mA |
| I _{DDT2} | | Checker Board Pattern, De-emph = 6 kΩ, VODSEL = L, (See Figure 18) | V _{DD} = 1.89V | All V _{DD} pins | | 75 | 85 | mA | |
| I _{DDIOT2} | | | V _{DDIO} = 1.89V | | V _{DDIO} | | 3 | 5 | mA |
| | | | V _{DDIO} = 3.6V | | | | 10 | 13 | mA |
| I _{DDZ} | Supply Current Power-down | PDB = 0V, (All other LVCMOS Inputs = 0V) | V _{DD} = 1.89V | All V _{DD} pins | | 60 | 1000 | μA | |
| I _{DDIOZ} | | | V _{DDIO} = 1.89V | | V _{DDIO} | | 0.5 | 10 | μA |
| | | | V _{DDIO} = 3.6V | | | | 1 | 30 | μA |
| DS92LV0412 SUPPLY CURRENT | | | | | | | | | |
| I _{DD1} | Supply Current (Includes load current) 50 MHz Clock | Checker Board Pattern, VODSEL = H, SSCG [2:0] = 000 | V _{DDn} = 1.89 V | All V _{DD} (1:8) pins | | 85 | 95 | mA | |
| I _{DDTX1} | | | V _{DDTX} = 3.6 V | | V _{DDTX} | | 40 | 50 | mA |
| I _{DDIO1} | | | V _{DDIO} = 1.89 V | | | V _{DDIO} | | 0.3 | 0.8 |
| | | | V _{DDIO} = 3.6 V | | | | 0.8 | 1.5 | mA |

DC Electrical Characteristics (continued)

 Over recommended operating supply and temperature ranges unless otherwise specified. ⁽¹⁾⁽²⁾⁽³⁾⁽⁴⁾⁽⁵⁾

| Symbol | Parameter | Conditions | Pin/Freq. | Min | Typ | Max | Units |
|-------------|---|--|------------------------|---------------------------|------|------|-------|
| I_{DD2} | Supply Current (Includes load current) 50 MHz Clock | Checker Board Pattern, VODSEL = H, SSCG [2:0] = 111 | $V_{DDn} = 1.89$ V | All $V_{DD(1:8)}$ pins | 95 | | mA |
| I_{DDTX2} | | | $V_{DDTX} = 3.6$ V | V_{DDTX} | 40 | | mA |
| I_{DDIO2} | | | $V_{DDIO} = 1.89$ V | V_{DDIO} | 0.3 | | mA |
| | | | $V_{DDIO} = 3.6$ V | | 0.8 | | mA |
| I_{DDZ} | Supply Current Power Down | PDB = 0V, All other LVCMOS Inputs = 0V | $V_{DD} = 1.89$ V | All $V_{DD(1:8)}$ pins | 0.15 | 2 | mA |
| I_{DDTXZ} | | | $V_{DDTX} = 3.6$ V | V_{DDTX} | 0.01 | 0.1 | mA |
| I_{DDIOZ} | | | $V_{DDIO} = 1.89$ V | V_{DDIO} | 0.01 | 0.08 | mA |
| | | | $V_{DDIO} = 3.6$ V | | 0.01 | 0.08 | mA |

Switching Characteristics

Over recommended operating supply and temperature ranges unless otherwise specified.

| Symbol | Parameter | Conditions | Min | Typ | Max | Units |
|---|--|---|-------|-------|-------|-------------------|
| DS92LV0411 CHANNEL LINK PARALLEL LVDS INPUT | | | | | | |
| t_{RSP0} | Receiver Strobe Position-bit 0 | $RxCLKIN = 50$ MHz, $RxIN[3:0]$ (See Figure 7) | 0.66 | 1.10 | 1.54 | ns |
| t_{RSP1} | Receiver Strobe Position-bit 1 | | 2.86 | 3.30 | 3.74 | ns |
| t_{RSP2} | Receiver Strobe Position-bit 2 | | 5.05 | 5.50 | 5.93 | ns |
| t_{RSP3} | Receiver Strobe Position-bit 3 | | 7.25 | 7.70 | 8.13 | ns |
| t_{RSP4} | Receiver Strobe Position-bit 4 | | 9.45 | 9.90 | 10.33 | ns |
| t_{RSP5} | Receiver Strobe Position-bit 5 | | 11.65 | 12.10 | 12.53 | ns |
| t_{RSP6} | Receiver Strobe Position-bit 6 | | 13.85 | 14.30 | 14.73 | ns |
| DS92LV0412 CHANNEL LINK PARALLEL LVDS OUTPUT | | | | | | |
| t_{LHT} | Low to High Transition Time | $R_L = 100\Omega$ | | 0.3 | 0.6 | ns |
| t_{THLT} | High to Low Transition Time | | | 0.3 | 0.6 | ns |
| t_{DCCJ} | Cycle-to-Cycle Output Jitter ⁽¹⁾ | $TxCLKOUT_{\pm} = 5$ MHz | | 900 | 2100 | ps |
| | | $TxCLKOUT_{\pm} = 50$ MHz | | 75 | 125 | ps |
| t_{TTP1} | Transmitter Pulse Position for bit 1 | 5 – 50 MHz | | 1 | | UI ⁽²⁾ |
| t_{TTP0} | Transmitter Pulse Position for bit 0 | | 2 | | UI | |
| t_{TTP6} | Transmitter Pulse Position for bit 6 | | 3 | | UI | |
| t_{TTP5} | Transmitter Pulse Position for bit 5 | | 4 | | UI | |
| t_{TTP4} | Transmitter Pulse Position for bit 4 | | 5 | | UI | |
| t_{TTP3} | Transmitter Pulse Position for bit 3 | | 6 | | UI | |
| t_{TTP2} | Transmitter Pulse Position for bit 2 | | 7 | | UI | |
| Δt_{TTP} | Offset Transmitter Pulse Position (bit 6— bit 0) | 50 MHz | | <+0.1 | | UI |
| t_{DD} | Delay-Latency | | | 142*T | 143*T | ns |
| t_{PD} | Power Down Delay Active to OFF | 50 MHz | | 7 | 12 | ns |
| t_{TXZR} | Enable Delay OFF to Active | 50 MHz | | 40 | 55 | ns |

 (1) t_{DCCJ} is the maximum amount of jitter between adjacent clock cycles.

 (2) UI – Unit Interval is equivalent to one serialized data bit width ($1UI = 1 / 28 * PCLK$). The UI scales with PCLK frequency.

Switching Characteristics (continued)

Over recommended operating supply and temperature ranges unless otherwise specified.

| Symbol | Parameter | Conditions | Min | Typ | Max | Units |
|--|---|---|-----|-------|-------|-------|
| DS92LV0411 Channel Link II CML OUTPUT | | | | | | |
| t _{H_LT} | Output Low-to-High Transition Time (See Figure 5) | R _L = 100Ω, De-emphasis = disabled, VODSEL = 0 | | 200 | | ps |
| | | R _L = 100Ω, De-emphasis = disabled, VODSEL = 1 | | 200 | | ps |
| t _{H_LT} | Output High-to-Low Transition Time (See Figure 6) | R _L = 100Ω, De-emphasis = disabled, VODSEL = 0 | | 260 | | ps |
| | | R _L = 100Ω, De-emphasis = disabled, VODSEL = 1 | | 200 | | ps |
| t _{XZD} | Output Active to OFF Delay (See Figure 11) | | | 5 | 15 | ns |
| t _{PLD} | PLL Lock Time ⁽³⁾ , (See Figure 9) | R _L = 100Ω | | 1.5 | 10 | ms |
| t _{SD} | Delay - Latency, (See Figure 12) | R _L = 100Ω | | 147*T | 148*T | ns |
| t _{DJIT} | Output Total Jitter (See Figure 14) | R _L = 100Ω, De-Emph = disabled, RANDOM pattern, RxCLKIN = 43 and 50 MHz | | 0.26 | | UI |
| λ _{STXBW} | Jitter Transfer Function -3 dB Bandwidth | RxCLKIN = 43 MHz | | 2.2 | | MHz |
| | | RxCLKIN = 50 MHz | | 2.6 | | |
| δ _{STX} | Jitter Transfer Function Peaking | RxCLKIN = 43 MHz | | 1 | | dB |
| | | RxCLKIN = 50 MHz | | 1 | | |
| DS92LV0412 CHANNEL LINK II CML INPUT | | | | | | |
| t _{DDL_T} | Lock Time | SSCG[2:0] = 000, 5 MHz | | 7 | | ms |
| | | SSCG[2:0] = 111, 5 MHz | | 14 | | ms |
| | | SSCG[2:0] = 000, 50 MHz | | 6 | | ms |
| | | SSCG[2:0] = 111, 50 MHz | | 8 | | ms |
| t _{JIT} | Input Jitter Tolerance | EQ = OFF SSCG[2:0] = 000 TxCLKOUT± = 50 MHz Input Jitter Frequency < 2 MHz | | >0.9 | | UI |
| | | EQ = OFF SSCG[2:0] = 000 TxCLKOUT± = 50 MHz Input Jitter Frequency >6 MHz | | >0.5 | | UI |
| DS92LV0412 LVC MOS OUTPUTS | | | | | | |
| t _{CLH} | Low to High Transition Time | C _L = 8 pF LOCK pin, PASS pin | | 5 | 15 | ns |
| t _{CHL} | High to Low Transition Time | | | 5 | 15 | ns |
| t _{PASS} | BIST PASS Valid Time, BISTEN = 1 | PASS pin 5 MHz | | 570 | 580 | ns |
| | | 50 MHz | | 50 | 65 | ns |
| DS92LV0412 SSCG MODE | | | | | | |
| t _{DEV} | Spread Spectrum Clocking Deviation Frequency | TxCLKOUT = 5 – 50 MHz, SSC[2:0] = ON | | ±0.5 | ±2 | % |
| t _{MOD} | Spread Spectrum Clocking Modulation Frequency | TxCLKOUT = 5 – 50 MHz, SSC[2:0] = ON | | 8 | 100 | kHz |

(3) t_{PLD} is the time required by the device to obtain lock when exiting power-down state with an active RxCLKIN.

Recommended Timing for the Serial Control Bus

Over recommended operating supply and temperature ranges unless otherwise specified. (Figure 20)

| Symbol | Parameter | Conditions | Min | Typ | Max | Units |
|---------------------|---|---------------|-----|-----|------|-------|
| f _{SCL} | SCL Clock Frequency | Standard Mode | >0 | | 100 | kHz |
| | | Fast Mode | >0 | | 400 | kHz |
| t _{LOW} | SCL Low Period | Standard Mode | 4.7 | | | μs |
| | | Fast Mode | 1.3 | | | μs |
| t _{HIGH} | SCL High Period | Standard Mode | 4.0 | | | μs |
| | | Fast Mode | 0.6 | | | μs |
| t _{HD:STA} | Hold time for a start or a repeated start condition | Standard Mode | 4.0 | | | μs |
| | | Fast Mode | 0.6 | | | μs |
| t _{SU:STA} | Set Up time for a start or a repeated start condition | Standard Mode | 4.7 | | | μs |
| | | Fast Mode | 0.6 | | | μs |
| t _{HD:DAT} | Data Hold Time | | 0 | | 3.45 | μs |
| | | Fast Mode | 0 | | 0.9 | μs |
| t _{SU:DAT} | Data Set Up Time | Standard Mode | 250 | | | μs |
| | | Fast Mode | 100 | | | μs |
| t _{SU:STO} | Set Up Time for STOP Condition | Standard Mode | 4.0 | | | μs |
| | | Fast Mode | 0.6 | | | μs |
| t _{BUF} | Bus Free Time Between STOP and START | Standard Mode | 4.7 | | | μs |
| | | Fast Mode | 1.3 | | | μs |
| t _r | SCL & SDA Rise Time | Standard Mode | | | 1000 | ns |
| | | Fast Mode | | | 300 | ns |
| t _f | SCL & SDA Fall Time | Standard Mode | | | 300 | ns |
| | | Fast Mode | | | 300 | ns |

DC and AC Serial Control Bus Characteristics

Over recommended operating supply and temperature ranges unless otherwise specified.

| Symbol | Parameter | Conditions | Min | Typ | Max | Units |
|---------------------|-------------------------|--|---------------------------|-----|---------------------------|-------|
| V _{IH} | Input High Level | SDA and SCL V _{DDIO} = 3.3V | 0.7* V _{DDIO} | | V _{DDIO} | V |
| V _{IL} | Input Low Level Voltage | SDA and SCL V _{DDIO} = 3.3V | GND | | 0.3* V _{DDIO} | V |
| V _{HY} | Input Hysteresis | V _{DDIO} = 3.3V | | >50 | | mV |
| V _{OL} | | SDA, IOL = 3mA V _{DDIO} = 3.3V | 0 | | 0.36 | V |
| I _{in} | | SDA or SCL, Vin = 3.3V or GND | -10 | | +10 | μA |
| t _R | SDA RiseTime – READ | SDA, RPU = X, Cb ≤ 400pF, (See Figure 20) | | 430 | | ns |
| t _F | SDA Fall Time – READ | | | 20 | | ns |
| t _{SU:DAT} | Set Up Time – READ | See Figure 20 | | 560 | | ns |
| t _{HD:DAT} | Hold Up Time – READ | See Figure 20 | | 615 | | ns |
| t _{SP} | Input Filter | | | 50 | | ns |
| C _{in} | Input Capacitance | SDA or SCL | | <5 | | pF |

AC Timing Diagrams and Test Circuits

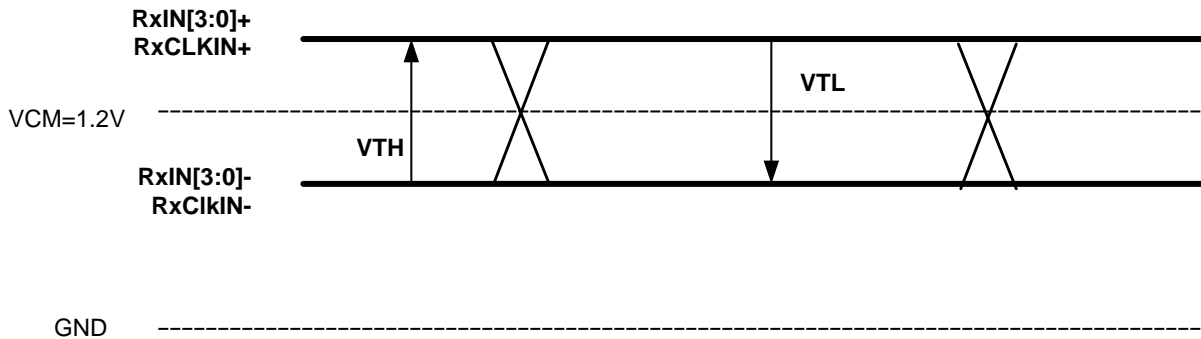


Figure 3. Channel Link DC VTH/VTL Definition

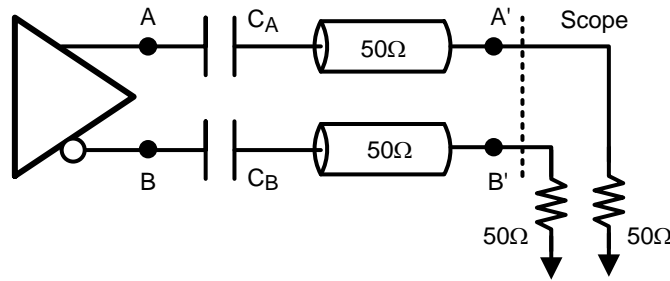


Figure 4. DS92LV0411 Output Test Circuit

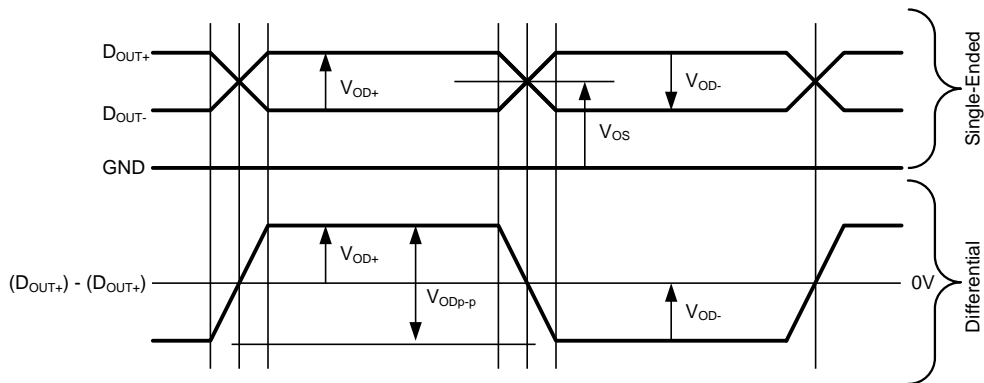


Figure 5. Channel Link II Single-ended and Differential Waveforms

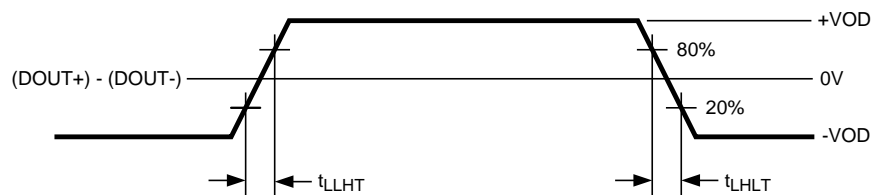


Figure 6. DS92LV0411 Output Transition Times

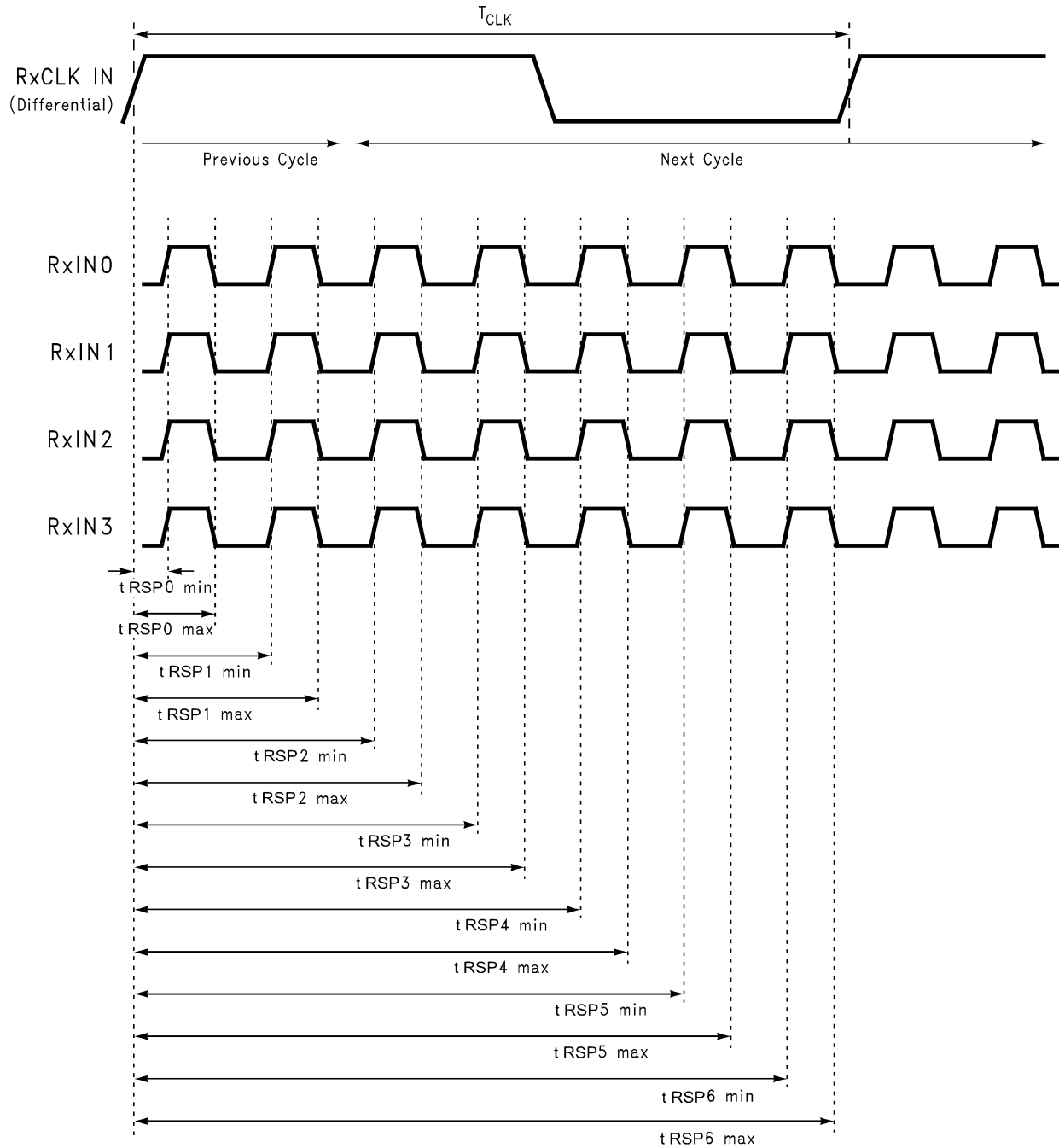


Figure 7. DS92LV0411 LVDS Receiver Strobe Positions

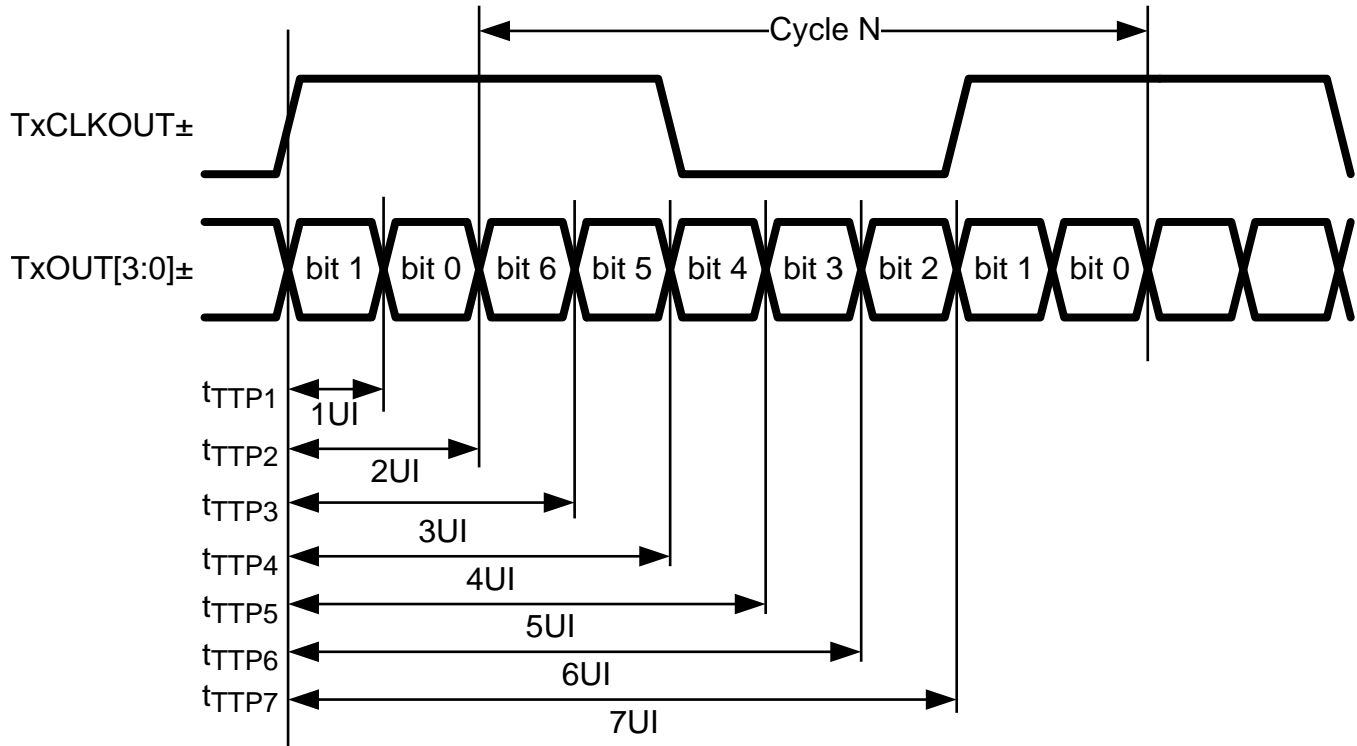


Figure 8. DS92LV0412 LVDS Transmitter Pulse Positions

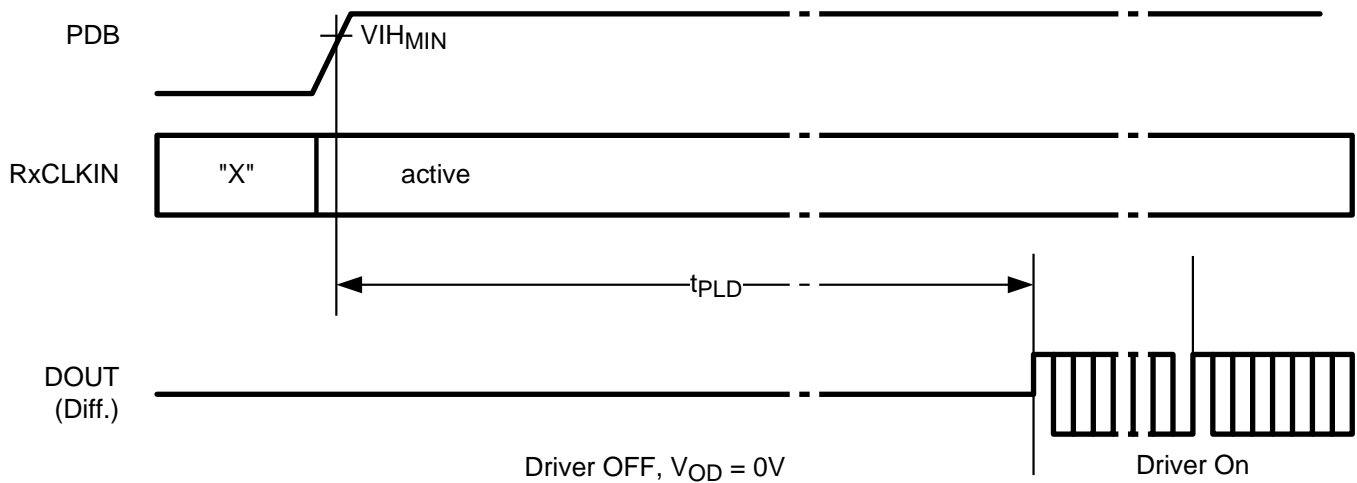


Figure 9. DS92LV0411 Lock Time

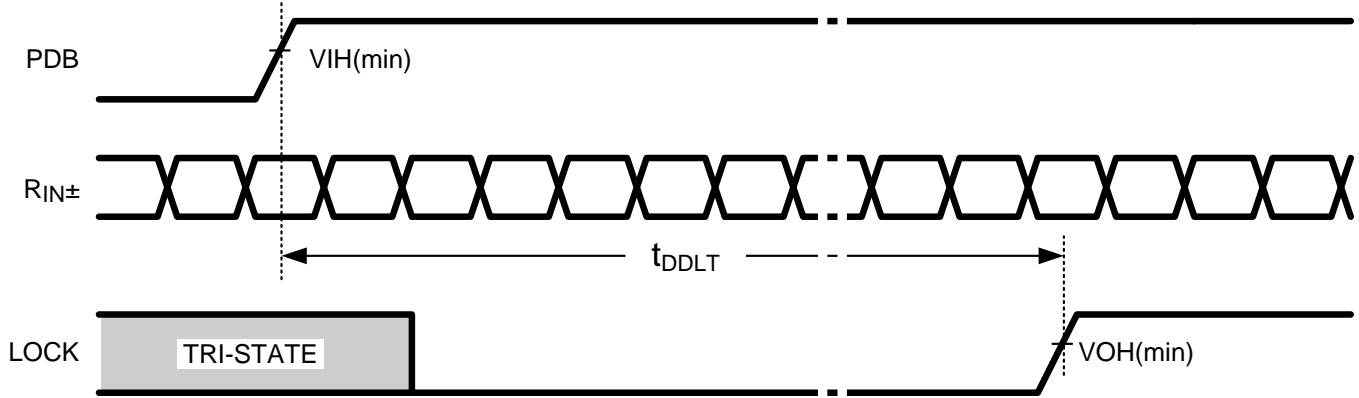


Figure 10. DS92LV0412 Lock Time

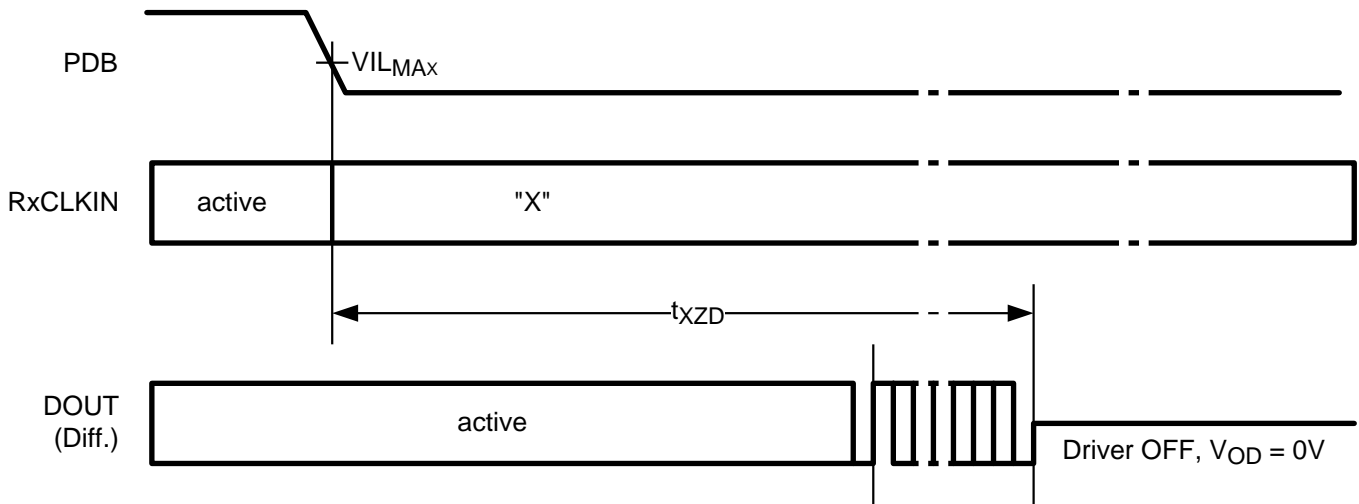


Figure 11. DS92LV0411 Disable Time

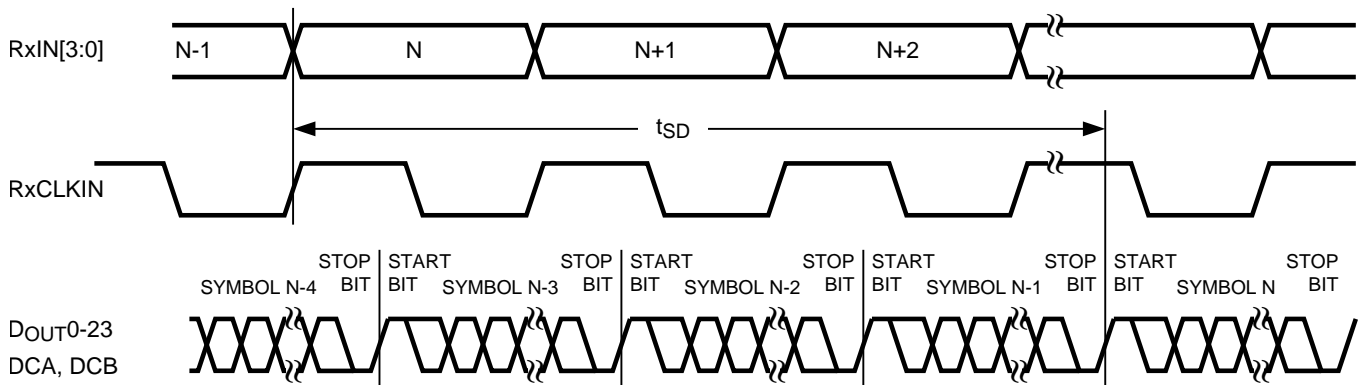


Figure 12. DS92LV0411 Latency Delay

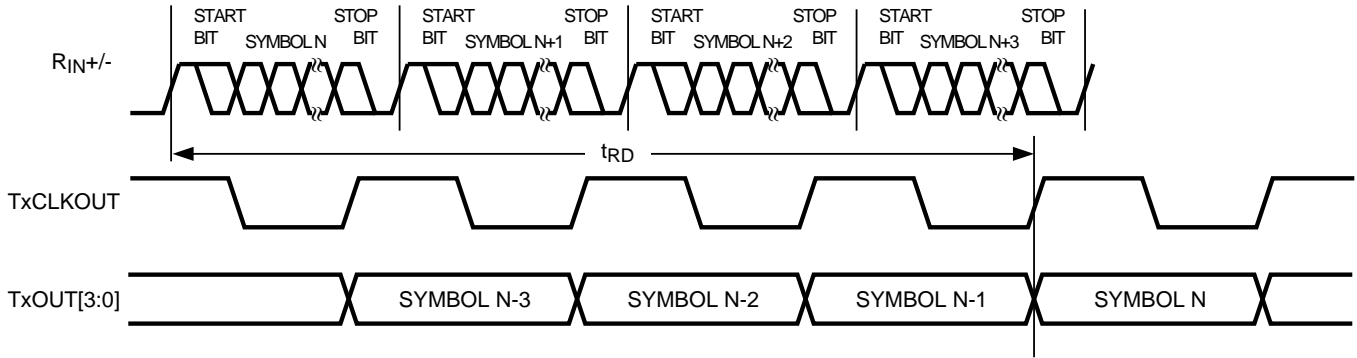


Figure 13. DS92LV0412 Latency Delay

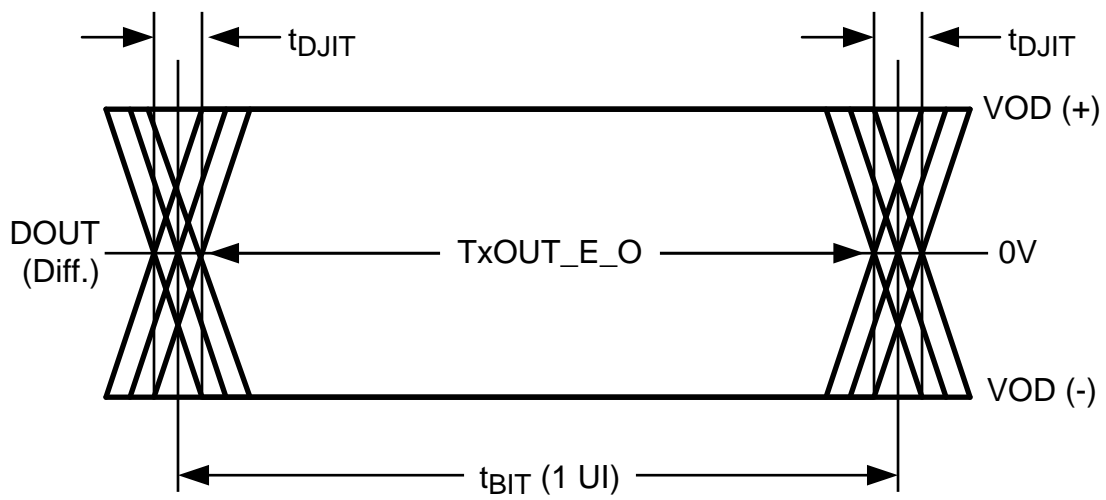
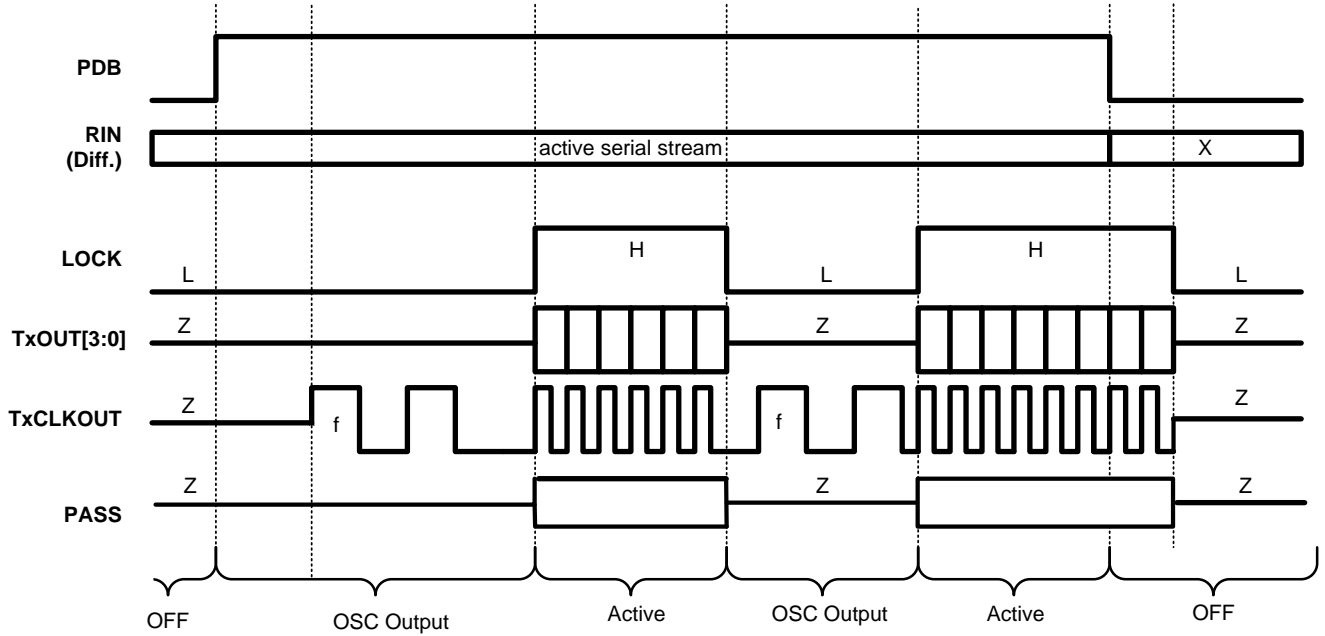


Figure 14. DS92LV0411 Output Jitter



CONDITIONS: OEN = H, OSS_SEL = H, and OSC_SEL not equal to 000.

Figure 15. DS92LV0412 Output State Diagram

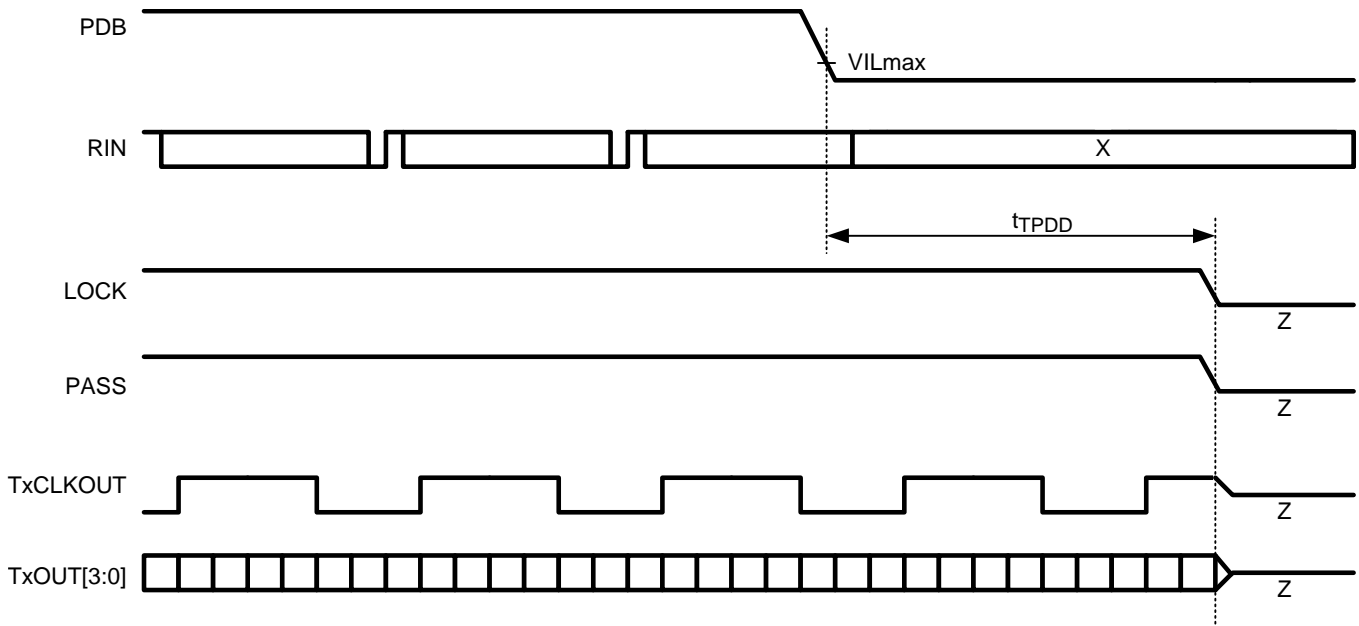


Figure 16. DS92LV0412 Power Down Delay

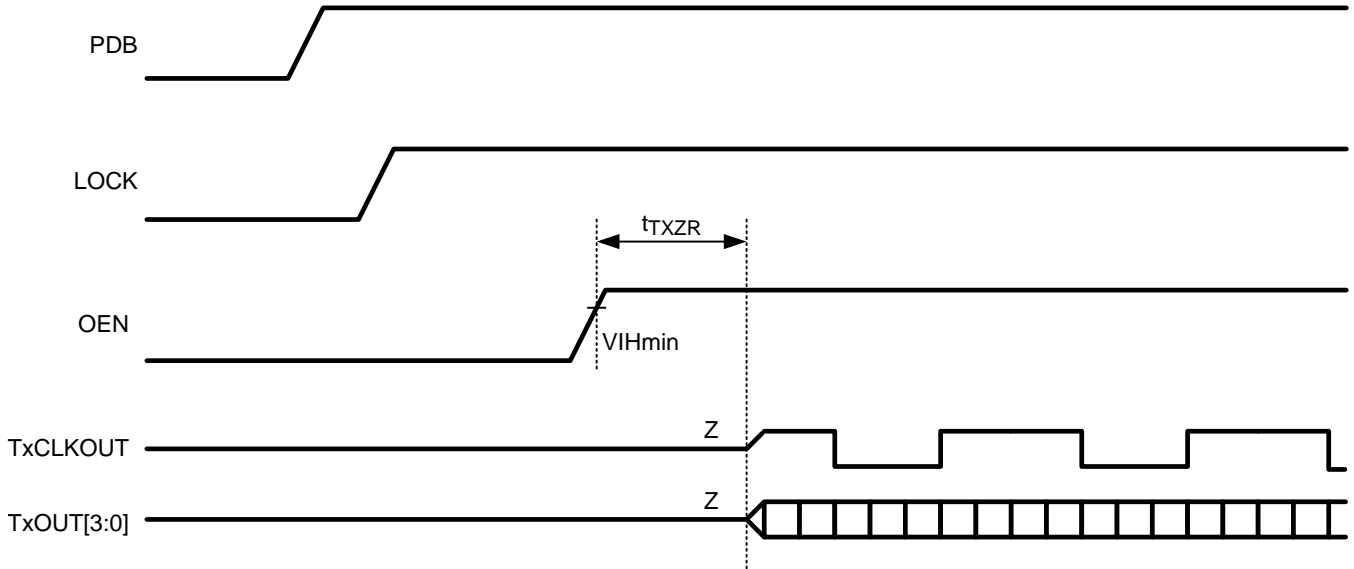


Figure 17. DS92LV0412 Enable Delay

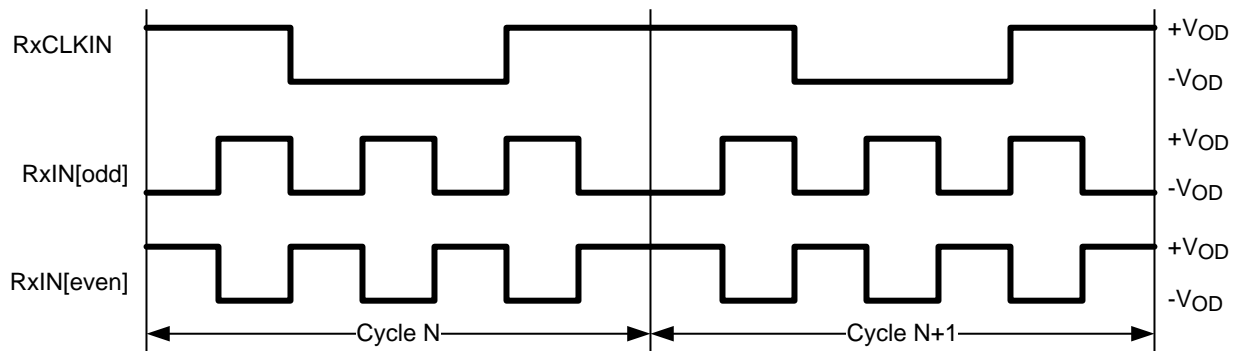


Figure 18. Checkerboard Data Pattern

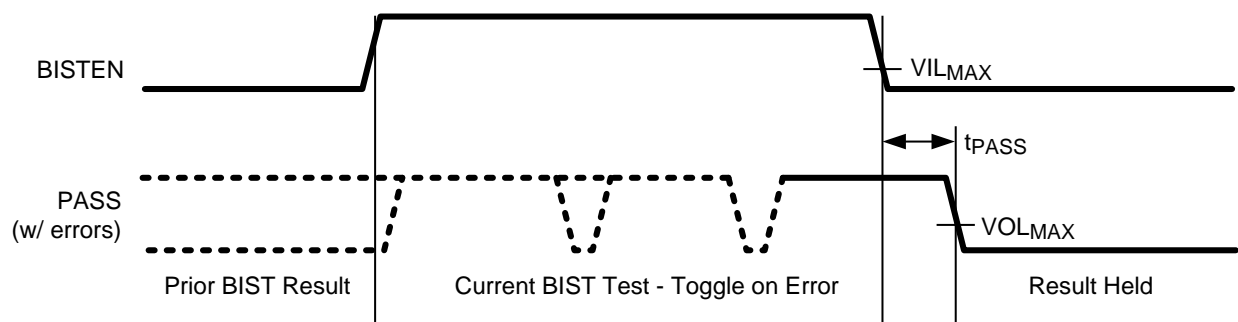


Figure 19. BIST PASS Waveform

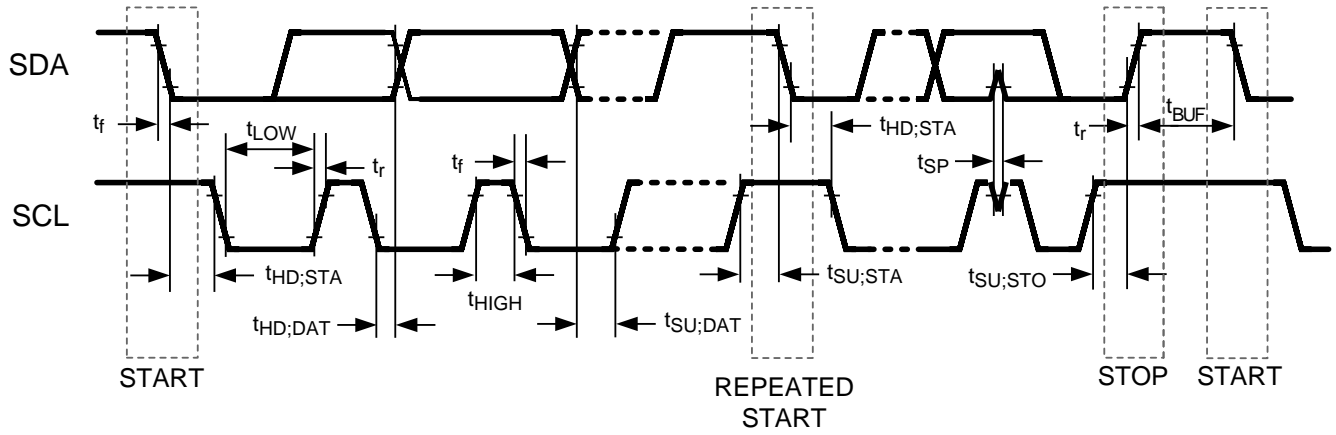


Figure 20. Serial Control Bus Timing Diagram

FUNCTIONAL DESCRIPTION

The DS92LV0411 / DS92LV0412 chipset transmits and receives 24-bits of data and 3 control signals, formatted as Channel Link LVDS data, over a single serial CML pair operating at 140 Mbps to 1.4 Gbps serial line rate. The serial stream contains an embedded clock, video control signals and is DC-balance to enhance signal quality and supports AC coupling.

The Des can attain lock to a data stream without the use of a separate reference clock source, which simplifies system complexity and overall cost. The Des also synchronizes to the Ser regardless of the data pattern, delivering true automatic “plug and lock” performance. It can lock to the incoming serial stream without the need of special training patterns or sync characters. The Des recovers the clock and data by extracting the embedded clock information, validating and then deserializing the incoming data stream providing a parallel Channel Link LVDS bus to the display, ASIC, or FPGA.

The DS92LV0411 / DS92LV0412 chipset can operate with up to 24 bits of raw data with three slower speed control bits encoded within the serial data stream. For applications that require less the maximum 24 pclk speed bit spaces, the user will need to ensure that all unused bit spaces or parallel LVDS channels are set to valid logic states, as all parallel lanes and 27 bit spaces will always be sampled.

Block Diagrams for the chipset are shown at the beginning of this datasheet.

PARALLEL LVDS DATA TRANSFER

The DS92LV0411/DS92LV0412 can be configured to accept/transmit 24-bit data with 2 different mapping schemes: The normal Channel Link LVDS format (MSBs on LVDS channel 3) can be selected by configuring the MAPSEL pin to HIGH. See [Figure 15](#) for the normal Channel Link LVDS mapping. An alternate mapping scheme is available (LSBs on LVDS channel 3) by configuring the MAPSEL pin to LOW. See [Figure 16](#) for the alternate LVDS mapping. The mapping schemes can also be selected by register control.

The alternate mapping scheme is useful in some applications where the receiving system, typically a display, requires that the LSBs for the 24-bit color data be sent on LVDS channel 3.

SERIAL DATA TRANSFER

The DS92LV0411 transmits a 24-bit word of data in the following format: C1 and C0 represent the embedded clock in the serial stream. C1 is always HIGH and C0 is always LOW. b[23:0] contain the scrambled RGB data, plus two additional bits for encoding overhead. The control signals (VS,HS,DE) are also encoded within these two additional bits. This coding scheme is generated by the DS92LV0411 and decoded by the pairing deserializer, such as the DS92LV0412, automatically.

The DS92LV0412 receives a 24 bit word of data in the format as described above. It also synchronizes to the serializer regardless of the data pattern, delivering true automatic “plug and lock” performance. it can lock to the incoming serial stream without the need for special training patterns or sync characters. The DS92LV0412 recovers the clock and data by extracting the embedded clock information, validating and then deserializing the incoming data stream.

[Figure 21](#) illustrates the serial stream per PCLK cycle.

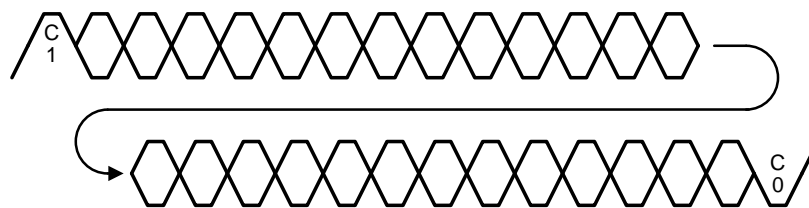


Figure 21. Channel Link II Serial Stream

OPERATING MODES AND BACKWARD COMPATIBILITY (CONFIG[1:0])

The DS92LV0411 and DS92LV0412 are backward compatible with previous generations of Ser/Des. Configuration modes are provided for backwards compatibility with the DS90C241/DS90C124 and also the DS90UR241/DS90UR124 and DS99R241/DS99R124 by setting the respective mode with the CONFIG[1:0] pins as shown in [Table 2](#) and [Table 3](#). The selection also determine whether the Video Control Signal filter feature is enabled or disabled in Normal mode. Backward compatibility modes are selectable through the control pins only. The Control Signal Filter can be selected by pin or through register programming.

Table 2. DS92LV0411 Configuration Modes

| CON FIG1 | CON FIG0 | Mode | Des Device |
|----------|----------|---|---------------------------|
| L | L | Normal Mode, Control Signal Filter disabled | DS92LV0412, DS92LV2412 |
| L | H | Normal Mode, Control Signal Filter enabled | DS92LV0412, DS92LV2412 |
| H | L | Backwards Compatible | DS90UR124, DS99R124 |
| H | H | Backwards Compatible | DS90C124 |

Table 3. DS92LV0412 Configuration Modes

| CON FIG1 | CON FIG0 | Mode | Des Device |
|----------|----------|---|---------------------------|
| L | L | Normal Mode, Control Signal Filter disabled | DS92LV0411, DS92LV2411 |
| L | H | Normal Mode, Control Signal Filter enabled | DS92LV0411, DS92LV2411 |
| H | L | Backwards Compatible | DS90UR241, DS99R421 |
| H | H | Backwards Compatible | DS90C241 |

BIT MAPPING SELECT

The DS92LV0411 and DS92LV0412 can be configured to accept the LVDS parallel data with 2 different mapping schemes: LSBs on RxIN[3] shown in [Figure 22](#) or MSBs on RxIN[3] shown in [Figure 23](#). The user selects which mapping scheme is controlled by MAPSEL pin or by Register.

NOTE

While the LVDS interface has 28 bits defined, only 27 bits are recovered by the Ser and sent to the Des. This supports 24 bit RGB plus the three video control signals. The 28th bit is not sampled, sent or recovered.

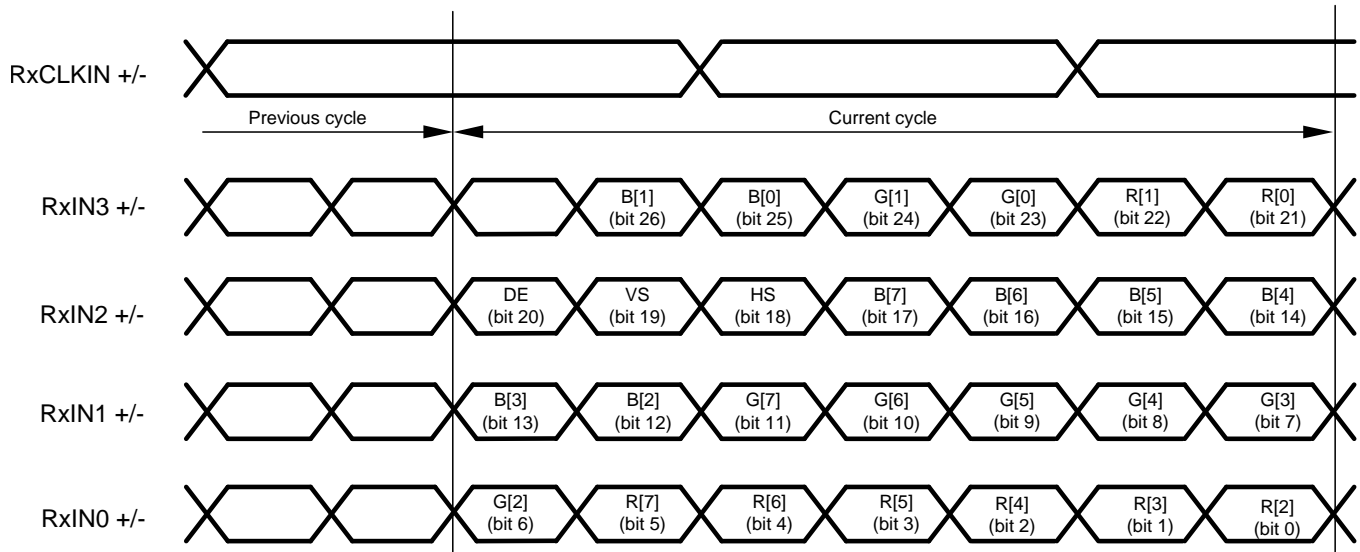


Figure 22. 8-bit Channel Link Mapping: LSB's on RxIN3

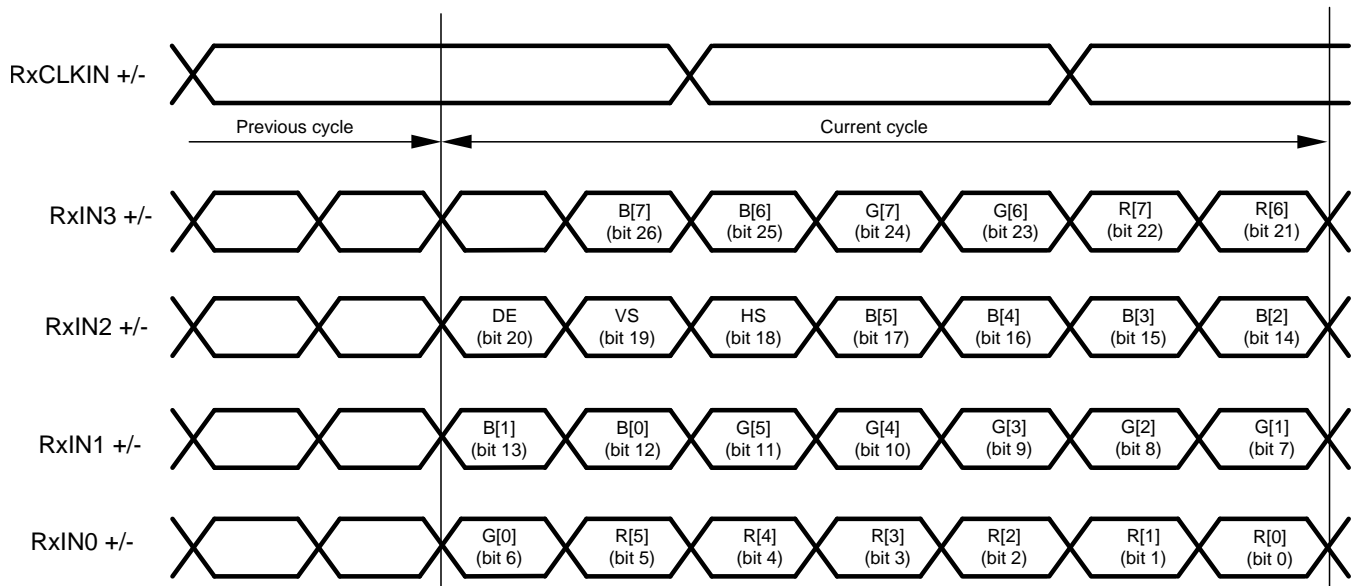


Figure 23. 8-bit Channel Link Mapping: MSB's on RxIN3

VIDEO CONTROL SIGNAL FILTER

The three control bits can be used to communicate any low speed signal. The most common use for these bits is in the display or machine vision applications. In a display application these bits are typically assigned as: Bit 26 – DE, Bit 24 – HS, Bit 25 – VS. In the machine vision standard, Camera Link, these bits are typically assigned: Bit 26 – DVAL, Bit 24 – LVAL, Bit 25 – FVAL.

When operating the devices in Normal Mode, the Video Control Signals (DE, HS, VS) have the following restrictions:

- Normal Mode with Control Signal Filter Enabled:
 - DE and HS — Only 2 transitions per 130 clock cycles are transmitted, the transition pulse must be 3 PCLK or longer.
- Normal Mode with Control Signal Filter Disabled:
 - DE and HS — Only 2 transitions per 130 clock cycles are transmitted, no restriction on minimum transition pulse.
- VS — Only 1 transition per 130 clock cycles are transmitted, minimum pulse width is 130 clock cycles.

Video Control Signals are defined as low frequency signals with limited transitions. Glitches of a control signal can cause a visual display error. This feature allows for the chipset to validate and filter out any high frequency noise on the control signals. See [Figure 24](#).

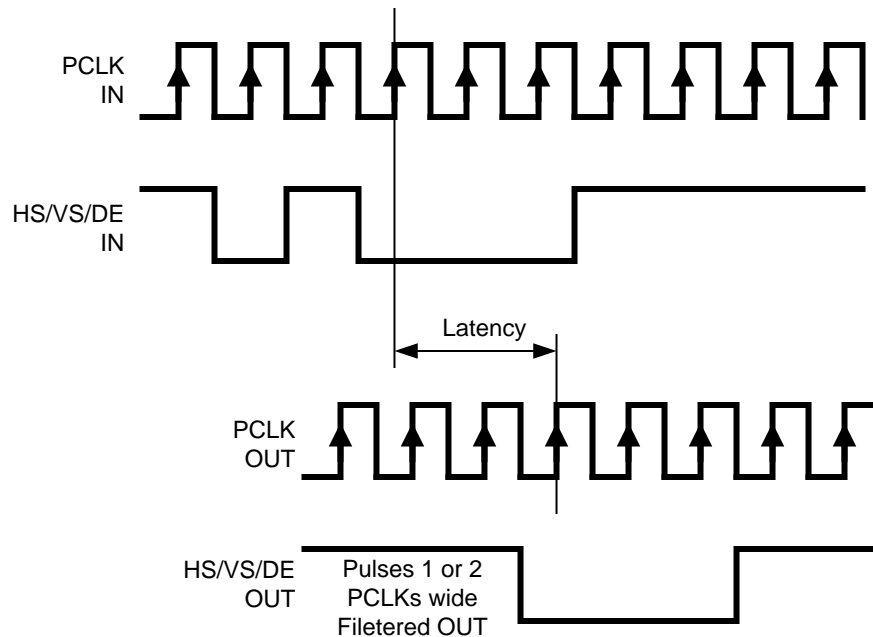


Figure 24. Video Control Signal Filter Waveform

SERIALIZER FUNCTIONAL DESCRIPTION

The Ser converts a Channel Link LVDS clock and data bus (4 LVDS data channels + 1 LVDS clock) to a single serial output data stream, and also acts as a signal generator for the chipset Built In Self Test (BIST) mode. The device can be configured via external pins or through the optional serial control bus. The Ser features enhanced signal quality on the link by supporting: a selectable VOD level, a selectable de-emphasis signal conditioning and also the Channel Link II data coding that provides randomization, scrambling, and DC Balancing of the data. The Ser includes multiple features to reduce EMI associated with display data transmission. This includes the randomization and scrambling of the serial data and also the system spread spectrum clock support. The Ser features power saving features with a sleep mode, auto stop clock feature, and optional 1.8 V or 3.3V I/O compatibility.

See also the [Functional Description](#) of the chipset's serial control bus and BIST modes.

EMI REDUCTION FEATURES

Data Randomization & Scrambling

Channel Link II Ser / Des feature a 3 step encoding process which enables the use of AC coupled interconnects and also helps to manage EMI. The serializer first passes the parallel data through a scrambler which randomizes the data. The randomized data is then DC balanced. The DC balanced and randomized data then goes through a bit shuffling circuit and is transmitted out on the serial line. This encoding process helps to prevent static data patterns on the serial stream. The resulting frequency content of the serial stream ranges from the parallel clock frequency to the nyquist rate. For example, if the Ser / Des chip set is operating at a parallel clock frequency of 50 MHz, the resulting frequency content of serial stream ranges from 50 MHz to 700 MHz ($50 \text{ MHz} * 28 \text{ bits} = 1.4 \text{ Gbps} / 2 = 700 \text{ MHz}$).

Ser — Spread Spectrum Compatibility

The RxCLKIN of the Channel Link input is capable of tracking spread spectrum clocking (SSC) from a host source. The RxCLKIN will accept spread spectrum tracking up to 35kHz modulation and ± 0.5 , ± 1 or $\pm 2\%$ deviations (center spread). The maximum conditions for the RxCLKIN input are: a modulation frequency of 35kHz and amplitude deviations of $\pm 2\%$ (4% total).

SER — INTEGRATED SIGNAL CONDITIONING FEATURES

Ser — VOD Select (VODSEL)

The DS92LV0411 differential output voltage may be increased by setting the VODSEL pin High. When VODSEL is Low, the DC VOD is at the standard (default) level. When VODSEL is High, the DC VOD is increased in level. The increased VOD is useful in extremely high noise environments and also on extra long cable length applications. When using de-emphasis it is recommended to set VODSEL = H to avoid excessive signal attenuation especially with the larger de-emphasis settings. This feature may be controlled by the external pin or by register.

Table 4. Ser — Differential Output Voltage

| Input | Effect | |
|-------|-----------|--------------|
| | VOD mV | VOD mVp-p |
| H | ± 450 | 900 |
| L | ± 300 | 600 |

Ser — De-Emphasis (De-Emph)

The De-Emph pin controls the amount of de-emphasis beginning one full bit time after a logic transition that the device drives. This is useful to counteract loading effects of long or lossy cables. This pin should be left open for standard switching currents (no de-emphasis) or if controlled by register. De-emphasis is selected by connecting a resistor on this pin to ground, with R value between 0.5 k Ω to 1 M Ω , or by register setting. When using De-Emphasis it is recommended to set VODSEL = H.

Table 5. De-Emphasis Resistor Value

| Resistor Value (k Ω) | De-Emphasis Setting |
|------------------------------|---------------------|
| Open | Disabled |
| 0.6 | - 12 dB |
| 1.0 | - 9 dB |
| 2.0 | - 6 dB |
| 5.0 | - 3 dB |

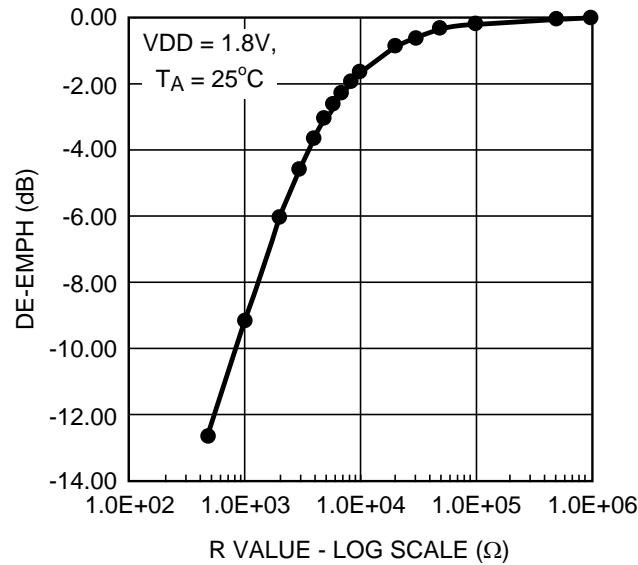


Figure 25. De-Emph vs. R value

POWER SAVING FEATURES

Ser — Power Down Feature (PDB)

The DS92LV0411 has a PDB input pin to ENABLE or POWER DOWN the device. This pin is controlled by the host and is used to save power, disabling the link when the display is not needed. In the POWER DOWN mode, the high-speed driver outputs are both pulled to VDD and present a 0V VOD state. Note – in POWER DOWN, the optional Serial Bus Control Registers are **RESET**.

Ser — Stop Clock Feature

The DS92LV0411 will enter a low power SLEEP state when the RxCLKIN is stopped. A STOP condition is detected when the input clock frequency is less than 3 MHz. The clock should be held at a static Low or high state. When the RxCLKIN starts again, the device will then lock to the valid input RxCLKIN and then transmits the RGB data to the deserializer. Note – in STOP CLOCK SLEEP, the optional Serial Bus Control Registers values are **RETAINED**.

1.8V or 3.3V VDDIO Operation

The DS92LV0411 parallel control pin bus can operate with 1.8 V or 3.3 V levels (V_{DDIO}) for host compatibility. The 1.8 V levels will offer a system power savings.

OPTIONAL SERIAL BUS CONTROL

Please see the following section on the [Optional Serial Bus Control Interface](#).

OPTIONAL BIST MODE

Please see the following section on the chipset [BIST Mode](#) for details.

Deserializer Functional Description

The Des converts a single input serial data stream to a wide parallel output bus, and also provides a signal check for the chipset Built In Self Test (BIST) mode. The device can be configured via external pins and strap pins or through the optional serial control bus. The Des features enhance signal quality on the link with an integrated equalizer on the serial input and Channel Link II data encoding which provides randomization, scrambling, and DC balancing of the data. The Des includes multiple features to reduce EMI associated with data transmission. This includes the randomization and scrambling of the data, the output spread spectrum clock generation (SSCG) support. The Des features power saving features with a power down mode, and optional LVCMOS (1.8 V) interface compatibility.

OSCILLATOR OUTPUT — OPTIONAL

The DS92LV0412 provides an optional TxCLKOUT when the input clock (serial stream) has been lost. This is based on an internal oscillator. The frequency of the oscillator may be selected. This feature may be controlled by the external pin or through the registers.

Clock-DATA RECOVERY STATUS FLAG (LOCK), OUTPUT ENABLE (OEN) and OUTPUT STATE SELECT (OSS_SEL)

When PDB is driven HIGH, the CDR PLL begins locking to the serial input, LOCK is LOW and the Channel Link interface state is determined by the state of the OSS_SEL pin.

After the DS92LV0412 completes its lock sequence to the input serial data, the LOCK output is driven HIGH, indicating valid data and clock recovered from the serial input is available on the Channel Link outputs. The TxCLKOUT output is held at its current state at the change from OSC_CLK (if this is enabled via OSS_SEL) to the recovered clock (or vice versa). Note that the Channel Link outputs may be held in an inactive state (Tri-State®) through the use of the Output Enable pin (OEN).

If there is a loss of clock from the input serial stream, LOCK is driven LOW and the state of the outputs are based on the OSS_SEL setting (configuration pin or register).

Table 6. Des Output State Table

| INPUTS | | | OUTPUTS | |
|--------|-----|---------|---------|---|
| PDB | OEN | OSS_SEL | LOCK | OTHER OUTPUTS |
| L | X | X | X | TxCLKOUT is Tri-State TxOUT[3:0] are Tri-State PASS is Tri-State |
| L | X | L | L | TxCLKOUT is Tri-State TxOUT[3:0] are Tri-State PASS is HIGH |
| H | L | H | L | TxCLKOUT is Tri-State TxOUT[3:0] are Tri-State PASS is Tri-State |
| H | H | H | L | TxCLKOUT is Tri-State or OSC Output through Register bit TxOUT[3:0] are Tri-State PASS is Tri-State |
| H | L | X | H | TxCLKOUT is Tri-State TxOUT[3:0] are Tri-State PASS is HIGH |
| H | H | X | H | TxCLKOUT is Active TxOUT[3:0] are Active PASS is Active (Normal operating mode) |

DES — INTEGRATED SIGNAL CONDITIONING FEATURES — DES
Des — Common Mode Filter Pin (CMF) — Optional

The Des provides access to the center tap of the internal termination. A capacitor may be placed on this pin for additional common-mode filtering of the differential pair. This can be useful in high noise environments for additional noise rejection capability. A 0.1µF capacitor may be connected to this pin to Ground.

Des — Input Equalizer Gain (EQ)

The Des can enable receiver input equalization of the serial stream to increase the eye opening to the Des input. Note this function cannot be seen at the RxIN+/- input. The equalization feature may be controlled by the external pin or by register.

Table 7. Receiver Equalization Configuration Table

| EQ (Strap Option) | Effect |
|-------------------|---------|
| L | ~1.5 dB |
| H | ~13 dB |

EMI REDUCTION FEATURES
Des — VOD Select (VODSEL)

The differential output voltage of the Channel Link interface is controlled by the VODSEL input.

Table 8. Des — Differential Output Voltage Table

| VODSEL | Result |
|--------|-------------------------------|
| L | VOD is 250 mV TYP (500 mVp-p) |
| H | VOD is 400 mV TYP (800 mVp-p) |

Des — SSCG Generation — Optional

The Des provides an internally generated spread spectrum clock (SSCG) to modulate its outputs. Both clock and data outputs are modulated. This will aid to lower system EMI. Output SSCG deviations to ±2% (4% total) at up to 100 kHz modulations is available. See [Switching Characteristics Table](#). This feature may be controlled by external STRAP pins or by register. The LFMODE setting should be set appropriately if the SSCG is being used. Set LFMODE HIGH if the clock frequency is between 5 MHz and 20 MHz. Set LFMODE LOW if the clock frequency is between 20 MHz and 50 MHz.

Table 9. SSCG Configuration (LF_MODE = L) — Des Output

| SSC[2:0] Inputs LF_MODE = L (20 — 55 MHz) | | | Result | |
|--|------|------|----------|------------|
| SSC2 | SSC1 | SSC0 | fdev (%) | fmod (kHz) |
| L | L | L | OFF | OFF |
| L | L | H | ±0.9 | CLK/2168 |
| L | H | L | ±1.2 | |
| L | H | H | ±1.9 | |
| H | L | L | ±2.3 | |
| H | L | H | ±0.7 | CLK/1300 |
| H | H | L | ±1.3 | |
| H | H | H | ±1.7 | |

Table 10. SSCG Configuration (LF_MODE = H) — Des Output

| SSC[2:0] Inputs LF_MODE = H (5 — 20 MHz) | | | Result | |
|---|------|------|----------|------------|
| SSC2 | SSC1 | SSC0 | fdev (%) | fmod (kHz) |
| L | L | L | OFF | OFF |
| L | L | H | ±0.7 | CLK/625 |
| L | H | L | ±1.3 | |
| L | H | H | ±1.8 | |
| H | L | L | ±2.2 | |
| H | L | H | ±0.7 | CLK/385 |
| H | H | L | ±1.2 | |
| H | H | H | ±1.7 | |

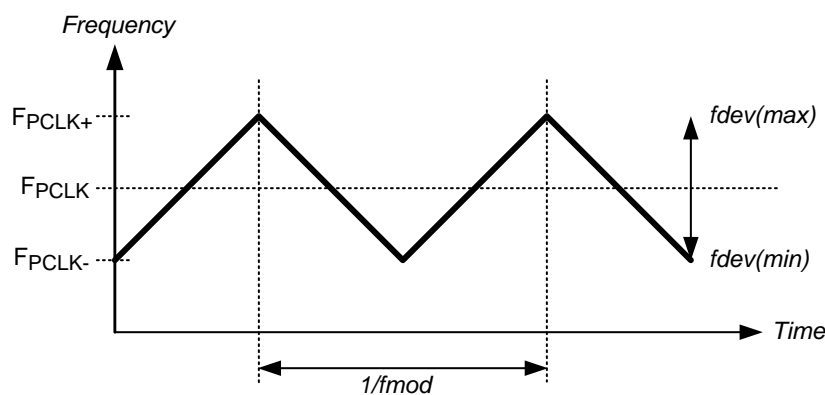


Figure 26. SSCG Waveform

Power Saving Features

Des — Power Down Feature (PDB)

The DS92LV0412 has a PDB input pin to ENABLE or POWER DOWN the device. This pin is controlled by the host and is used to save power, disabling the Des when the display is not needed. An auto detect mode is also available. In this mode, the PDB pin is tied HIGH and the Des will enter POWER DOWN when the serial stream stops. When the serial stream starts up again, the Des will lock to the input stream and assert the LOCK pin and output valid data. In the POWER DOWN mode, the LVDS data and clock output states are determined by the OSS_SEL status. Note – in POWER DOWN, the optional Serial Bus Control Registers are **RESET**.

Des — Stop Stream SLEEP Feature

The DS92LV0412 will enter a low power SLEEP state when the input serial stream is stopped. A STOP condition is detected when the embedded clock bits are not present. When the serial stream starts again, the Des will then lock to the incoming signal and recover the data. Note – in STOP CLOCK SLEEP, the optional Serial Bus Control Registers values are **RETAINED**.

1.8V or 3.3V VDDIO Operation

The DS92LV0412 parallel control bus can operate with 1.8 V or 3.3 V levels (V_{DDIO}) for host compatibility. The 1.8 V levels will offer a system power savings.

Built In Self Test (BIST)

An optional At-Speed Built In Self Test (BIST) feature supports the testing of the high-speed serial link. This is useful in the prototype stage, equipment production, in-system test and also for system diagnostics. In the BIST mode only a input clock is required along with control to the Ser and Des BISTEN input pins. The Ser outputs a test pattern (PRBS7) and drives the link at speed. The Des detects the PRBS7 pattern and monitors it for errors. A PASS output pin toggles to flag any payloads that are received with 1 to 24 errors. Upon completion of the test, the result of the test is held on the PASS output until reset (new BIST test or Power Down). A high on PASS indicates NO ERRORS were detected. A Low on PASS indicates one or more errors were detected. The duration of the test is controlled by the pulse width applied to the Des BISTEN pin.

Inter-operability is supported between this Channel Link II device and all reverse compatible devices— see respective datasheets for details on entering BIST mode and control.

Sample BIST Sequence

See [Figure 27](#) for the BIST mode flow diagram.

Step 1: Place the serializer in BIST Mode by setting Ser BISTEN = H. The BIST Mode is enabled via the BISTEN pin. An RxCLKIN is required for all the Ser options. When the deserializer detects the BIST mode pattern and command the parallel data and control signal outputs are shut off.

Step 2: Place the deserializer in BIST mode by setting the BISTEN = H. The Des is now in the BIST mode and checks the incoming serial payloads for errors. If an error in the payload (1 to 24) is detected, the PASS pin will switch low for one half of the clock period. During the BIST test, the PASS output can be monitored and counted to determine the payload error rate.

Step 3: To Stop the BIST mode, the deserializer BISTEN pin is set Low. The deserializer stops checking the data and the final test result is held on the PASS pin. If the test ran error free, the PASS output will be High. If there was one or more errors detected, the PASS output will be Low. The PASS output state is held until a new BIST is run, the device is RESET, or Powered Down. The BIST duration is user controlled by the duration of the BISTEN signal.

Step 4: To return the link to normal operation, the ser and des BISTEN input are set Low. The Link returns to normal operation.

[Figure 28](#) shows the waveform diagram of a typical BIST test for two cases. Case 1 is error free, and Case 2 shows one with multiple errors. In most cases it is difficult to generate errors due to the robustness of the link (differential data transmission etc.), thus they may be introduced by greatly extending the cable length, faulting the interconnect, reducing signal condition enhancements (De-Emphasis, VODSEL, or deserializer Equalization).

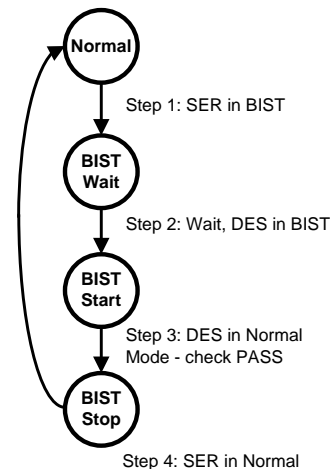


Figure 27. BIST Mode Flow Diagram

BER Calculations

It is possible to calculate the approximate Bit Error Rate (BER). The following is required:

- Pixel Clock Frequency (MHz)
- BIST Duration (seconds)
- BIST test Result (PASS)

The BER is less than or equal to one over the product of 24 times the RxCLKIN rate times the test duration. If we assume a 65MHz RxCLKIN, a 10 minute (600 second) test, and a PASS, the BERT is $\leq 1.07 \times 10^{-12}$

The BIST mode runs a check on the data payload bits. The LOCK pin also provides a link status. If the recovery of the C0 and C1 bits does not reconstruct the expected clock signal, the LOCK pin will switch Low. The combination of the LOCK and At-Speed BIST PASS pin provides a powerful tool for system evaluation and performance monitoring.

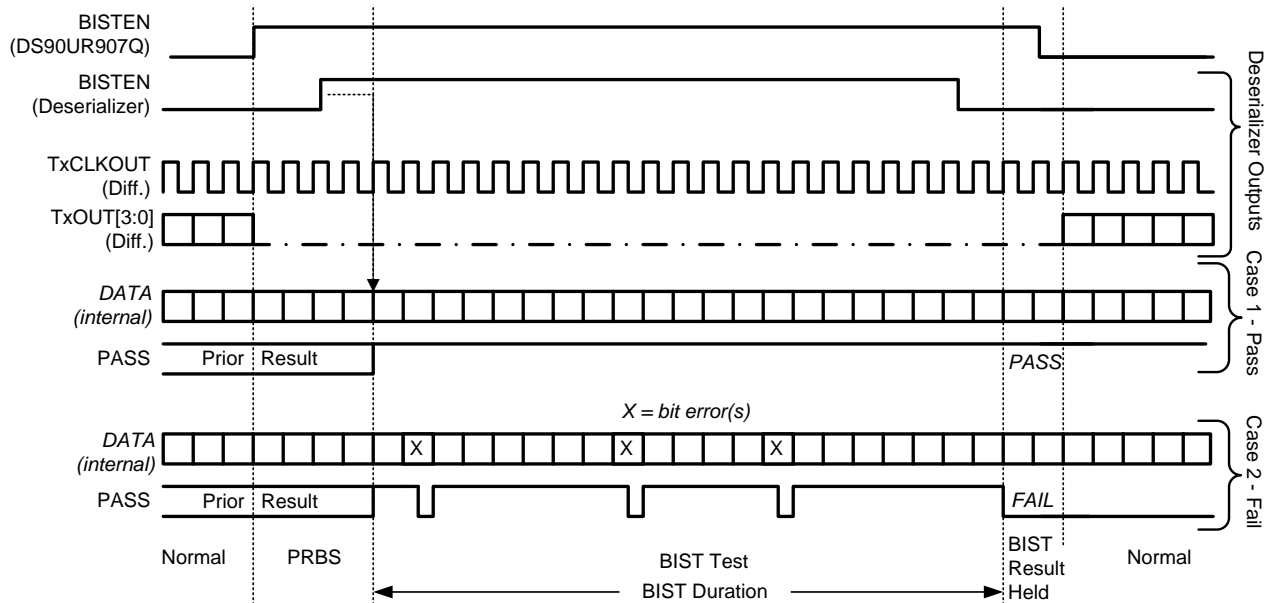


Figure 28. BIST Waveforms

Optional Serial Bus Control

The DS92LV0411 and DS92LV0412 may be configured by the use of a serial control bus that is I2C protocol compatible. By default, the I2C reg_0x00'h is set to 00'h and all configuration is set by control/strap pins. A write of 01'h to reg_0x00'h will enable/allow configuration by registers; this will override the control/strap pins. Multiple devices may share the serial control bus since multiple addresses are supported. See [Figure 29](#).

The serial bus is comprised of three pins. The SCL is a Serial Bus Clock Input. The SDA is the Serial Bus Data Input / Output signal. Both SCL and SDA signals require an external pull up resistor to V_{DDIO} . For most applications a 4.7 k Ω pull up resistor to 3.3V may be used. The resistor value may be adjusted for capacitive loading and data rate requirements. The signals are either pulled High, or driven Low.

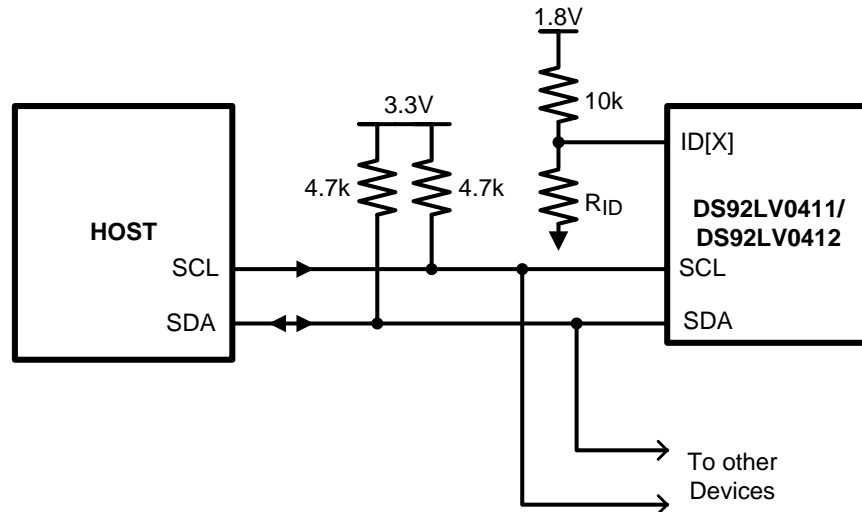


Figure 29. Serial Control Bus Connection

The third pin is the ID[X] pin. This pin sets one of four possible device addresses. Three different connections are possible. The pin may be pulled to V_{DD} (1.8V, **NOT** V_{DDIO}) with a 10 k Ω resistor. Or a 10 k Ω pull up resistor (to V_{DD} 1.8V, **NOT** V_{DDIO}) and a pull down resistor of the recommended value to set other three possible addresses may be used. See [Table 11](#).

The Serial Bus protocol is controlled by START, START-Repeated, and STOP phases. A START occurs when SCL transitions Low while SDA is High. A STOP occurs when SDA transition High while SCL is also HIGH. See [Figure 30](#).

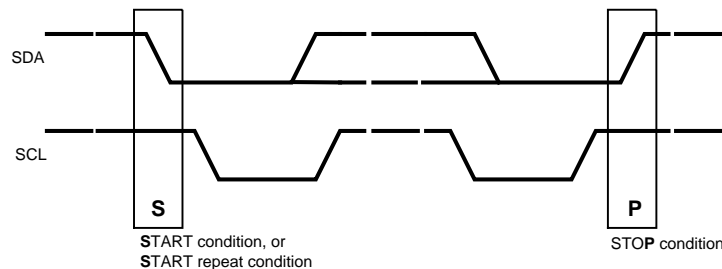


Figure 30. START and STOP Conditions

To communicate with a remote device, the host controller (master) sends the slave address and listens for a response from the slave. This response is referred to as an acknowledge bit (ACK). If a slave on the bus is addressed correctly, it Acknowledges (ACKs) the master by driving the SDA bus low. If the address doesn't match a device's slave address, it Not-acknowledges (NACKs) the master by letting SDA be pulled High. ACKs also occur on the bus when data is being transmitted. When the master is writing data, the slave ACKs after every data byte is successfully received. When the master is reading data, the master ACKs after every data byte is received to let the slave know it wants to receive another data byte. When the master wants to stop reading, it NACKs after the last data byte and creates a stop condition on the bus. All communication on the bus begins with either a Start condition or a Repeated Start condition. All communication on the bus ends with a Stop condition. A READ is shown in Figure 31 and a WRITE is shown in Figure 32.

If the Serial Bus is not required, the three pins may be left open (NC).

Table 11. ID[x] Resistor Value – DS92LV0411

| Resistor RID kΩ | Address 7'b | Address 8'b 0 appended (WRITE) |
|-----------------|---------------------|--------------------------------|
| 0.47 | 7b' 110 1001 (h'69) | 8b' 1101 0010 (h'D2) |
| 2.7 | 7b' 110 1010 (h'6A) | 8b' 1101 0100 (h'D4) |
| 8.2 | 7b' 110 1011 (h'6B) | 8b' 1101 0110 (h'D6) |
| Open | 7b' 110 1110 (h'6E) | 8b' 1101 1100 (h'DC) |

Table 12. ID[x] Resistor Value – DS92LV0412

| Resistor RID kΩ | Address 7'b | Address 8'b 0 appended (WRITE) |
|-----------------|---------------------|--------------------------------|
| 0.47 | 7b' 111 0001 (h'71) | 8b' 1110 0010 (h'E2) |
| 2.7 | 7b' 111 0010 (h'72) | 8b' 1110 0100 (h'E4) |
| 8.2 | 7b' 111 0011 (h'73) | 8b' 1110 0110 (h'E6) |
| Open | 7b' 111 0110 (h'76) | 8b' 1110 1100 (h'EC) |

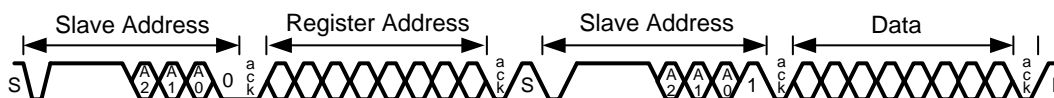


Figure 31. Serial Control Bus — READ



Figure 32. Serial Control Bus — WRITE

Table 13. DS92LV0411 SERIALIZER — Serial Bus Control Registers

| ADD (dec) | ADD (hex) | Register Name | Bit(s) | R/W | Default (bin) | Function | Description |
|-----------|-----------|---------------------|--------|-----|---------------|-----------------|---|
| 0 | 0 | Ser Config 1 | 7 | R/W | 0 | Reserved | Reserved |
| | | | 6 | R/W | 0 | MAPSEL | 0: LSB on RxIN3 1: MSB on RxIN3 |
| | | | 5 | R/W | 0 | VODSEL | 0: Low 1: High |
| | | | 4 | | 0 | Reserved | Reserved |
| | | | 3:2 | R/W | 00 | CONFIG | 00: Control Signal Filter Disabled 01: Control Signal Filter Enabled 10: Reserved 11: Reserved |
| | | | 1 | R/W | 0 | SLEEP | Note – not the same function as $\overline{\text{PowerDown}}$ (PDB) 0: normal mode 1: Sleep Mode – Register settings retained. |
| | | | 0 | R/W | 0 | REG | 0: Configurations set from control pins 1: Configuration set from registers (except I2C_ID) |
| 1 | 1 | Device ID | 7 | R/W | 0 | REG ID | 0: Address from ID[X] Pin 1: Address from Register |
| | | | 6:0 | R/W | 1101000 | ID[X] | Serial Bus Device ID, IDs are: 7b '1101 001 (h'69) 7b '1101 010 (h'6A) 7b '1101 011 (h'6B) 7b '1101 110 (h'6E) All other addresses are Reserved . |
| 2 | 2 | De-Emphasis Control | 7:5 | R/W | 000 | De-E Setting | 000: set by external Resistor 001: -1 dB 010: -2 dB 011: -3.3 dB 100: -5 dB 101: -6.7 dB 110: -9 dB 111: -12 dB |
| | | | 4 | R/W | 0 | De-E EN | 0: De-Emphasis Enabled 1: De-Emphasis Disabled |
| | | | 3:0 | R/W | 000 | Reserved | Reserved |

Table 14. DS92LV0412 DESERIALIZER — Serial Bus Control Registers

| ADD (dec) | ADD (hex) | Register Name | Bit(s) | R/W | Default (bin) | Function | Description |
|-----------|-----------|----------------|--------|-----|---------------|-----------------|---|
| 0 | 0 | Des Config 1 | 7 | R/W | 0 | LFMODE | SSCG Mode — low frequency support 0: 20 to 65 MHz Operation 1: 10 to 20 MHz Operation |
| | | | 6 | R/W | 0 | MAPSEL | Channel Link Map Select 0: LSB on TxOUT3+/- 1: MSB on TxOUT3+/- |
| | | | 5 | R/W | 0 | Reserved | Reserved |
| | | | 4 | R/W | 0 | Reserved | Reserved |
| | | | 3:2 | R/W | 00 | CONFIG | 00: Control Signal Filter Disabled 01: Control Signal Filter Enabled 10: Reserved 11: Reserved |
| | | | 1 | R/W | 0 | SLEEP | Note – not the same function as <u>PowerDown (PDB)</u> 0: normal mode 1: Sleep Mode – Register settings retained. |
| | | | 0 | R/W | 0 | REG Control | 0: Configurations set from control pins 1: Configuration set from registers (except I2C_ID) |
| 1 | 1 | Device ID | 7 | R/W | 0 | REG ID | 0: Address from ID[X] Pin 1: Address from Register |
| | | | 6:0 | R/W | 11100 00 | ID[X] | Serial Bus Device ID, IDs are: 7b' 111 0001 (h'71) 7b' 111 0010 (h'72) 7b' 111 0011 (h'73) 7b' 111 0110 (h'76) All other addresses are Reserved . |
| 2 | 2 | Des Features 1 | 7 | R/W | 0 | OEN | Output Enable Input (See Table 6) |
| | | | 6 | R/W | 0 | OSS_SEL | Output Sleep State Select (See Table 6) |
| | | | 5:4 | R/W | 00 | Reserved | Reserved |
| | | | 3 | R/W | 0 | VODSEL | LVDS Driver Output Voltage Select 0: LVDS VOD is ± 250 mV, 500 mVp-p (typ) 1: LVDS VOD is ± 400 mV, 800 mVp-p (typ) |
| | | | 2:0 | R/W | 000 | OSC_SEL | 000: OFF 001: RESERVED 010: 25 MHz $\pm 40\%$ 011: 16.7 MHz $\pm 40\%$ 100: 12.5 MHz $\pm 40\%$ 101: 10 MHz $\pm 40\%$ 110: 8.3 MHz $\pm 40\%$ 111: 6.3MHz $\pm 40\%$ |

Table 14. DS92LV0412 DESERIALIZER — Serial Bus Control Registers (continued)

| ADD (dec) | ADD (hex) | Register Name | Bit(s) | R/W | Default (bin) | Function | Description |
|-----------|-----------|----------------|--------|-----|---------------|-----------------|---|
| 3 | 3 | Des Features 2 | 7:5 | R/W | 000 | EQ Gain | 000: ~-1.625 dB 001: ~-3.25 dB 010: ~-4.87 dB 011: ~-6.5 dB 100: ~-8.125 dB 101: ~-9.75 dB 110: 11.375 dB 111: 13 dB |
| | | | 4 | R/W | 0 | EQ Enable | 0: EQ = disabled 1: EQ = enabled |
| | | | 3 | R/W | 0 | Reserved | Reserved |
| | | | 2:0 | R/W | 000 | SSC | IF LFMODE = 0 then: 000: SSCG OFF 001: fdev = ±0.9%, fmod = CLK/2168 010: fdev = ±1.2%, fmod = CLK/2168 011: fdev = ±1.9%, fmod = CLK/2168 100: fdev = ±2.3%, fmod = CLK/2168 101: fdev = ±0.7%, fmod = CLK/21300 110: fdev = ±1.3%, fmod = CLK/1300 111: fdev = ±1.57%, fmod = CLK/1300 IF LFMODE = 1, then: 001: fdev = ±0.7%, fmod = CLK/625 010: fdev = ±1.3%, fmod = CLK/625 011: fdev = ±1.8%, fmod = CLK/625 100: fdev = ±2.2%, fmod = CLK/625 101: fdev = ±0.7%, fmod = CLK/385 110: fdev = ±1.2%, fmod = CLK/385 111: fdev = ±1.7%, fmod = CLK/385 |

APPLICATIONS INFORMATION

DISPLAY APPLICATION

The DS92LV0411 and DS92LV0412 chipset is intended for interface between a host (graphics processor) and a Display. It supports an 24-bit color depth (RGB888) and up to 1024 X 768 display formats. In a RGB888 application, 24 color bits (R[7:0], G[7:0], B[7:0]), Pixel Clock (PCLK) and three control bits (VS, HS and DE) are supported across the serial link with PCLK rates from 5 to 50 MHz. The chipset may also be used in 18-bit color applications. In this application three to six general purpose signals may also be sent from host to display.

DS92LV0411 TYPICAL APPLICATION CONNECTION

Figure 33 shows a typical application of the DS92LV0411 for a 50 MHz 24-bit Color Display Application. The LVDS inputs require external 100 ohm differential termination resistors. The CML outputs require 0.1 μF AC coupling capacitors to the line. The line driver includes internal termination. Bypass capacitors are placed near the power supply pins. At a minimum, four 0.1 μF capacitors and a 4.7 μF capacitor should be used for local device bypassing. System GPO (General Purpose Output) signals control the PDB and BISTEN pins. The application assumes the companion deserializer (DS92LV0412) therefore the configuration pins are also both tied Low. In this example the cable is long, therefore the VODSEL pin is tied High and a De-Emphasis value is selected by the resistor R1. The interface to the host is with 1.8 V LVCMOS levels, thus the VDDIO pin is connected also to the 1.8V rail. The Optional Serial Bus Control is not used in this example, thus the SCL, SDA and ID[x] pins are left open. A delay cap is placed on the PDB signal to delay the enabling of the device until power is stable. Bypass capacitors are placed near the power supply pins. Ferrite beads are placed on the power lines for effective noise suppression.

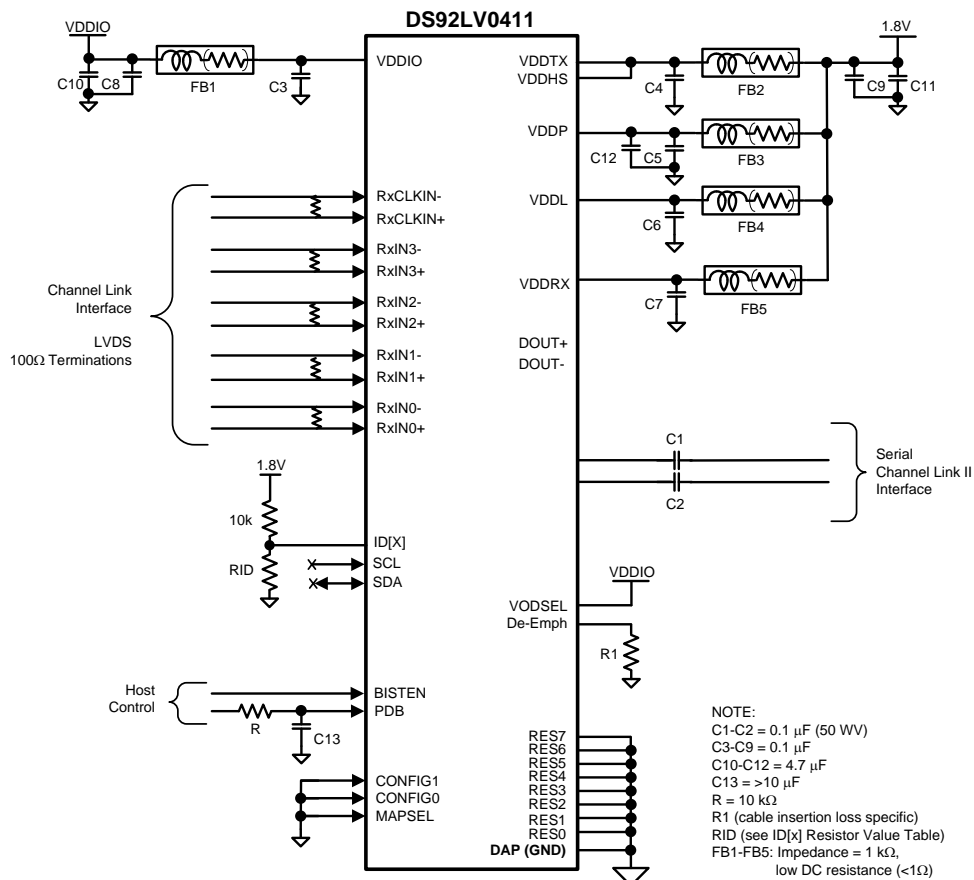


Figure 33. DS92LV0411 Typical Connection Diagram

DS92LV0412 TYPICAL APPLICATION CONNECTION

Figure 34 shows a typical application of the DS92LV0412 for a 50 MHz 24-bit Color Display Application. The CML inputs require 0.1 μF AC coupling capacitors to the line. The line driver includes internal termination. Bypass capacitors are placed near the power supply pins. At a minimum, four 0.1 μF capacitors and a 4.7 μF capacitor should be used for local device bypassing. System GPO (General Purpose Output) signals control the PDB and BISTEN pins. The application assumes the companion deserializer (DS92LV0412) therefore the configuration pins are also both tied Low. The interface to the host is with 1.8 V LVCMOS levels, thus the VDDIO pin is connected also to the 1.8V rail. The Optional Serial Bus Control is not used in this example, thus the SCL, SDA and ID[x] pins are left open. A delay cap is placed on the PDB signal to delay the enabling of the device until power is stable. Bypass capacitors are placed near the power supply pins. Ferrite beads are placed on the power lines for effective noise suppression.

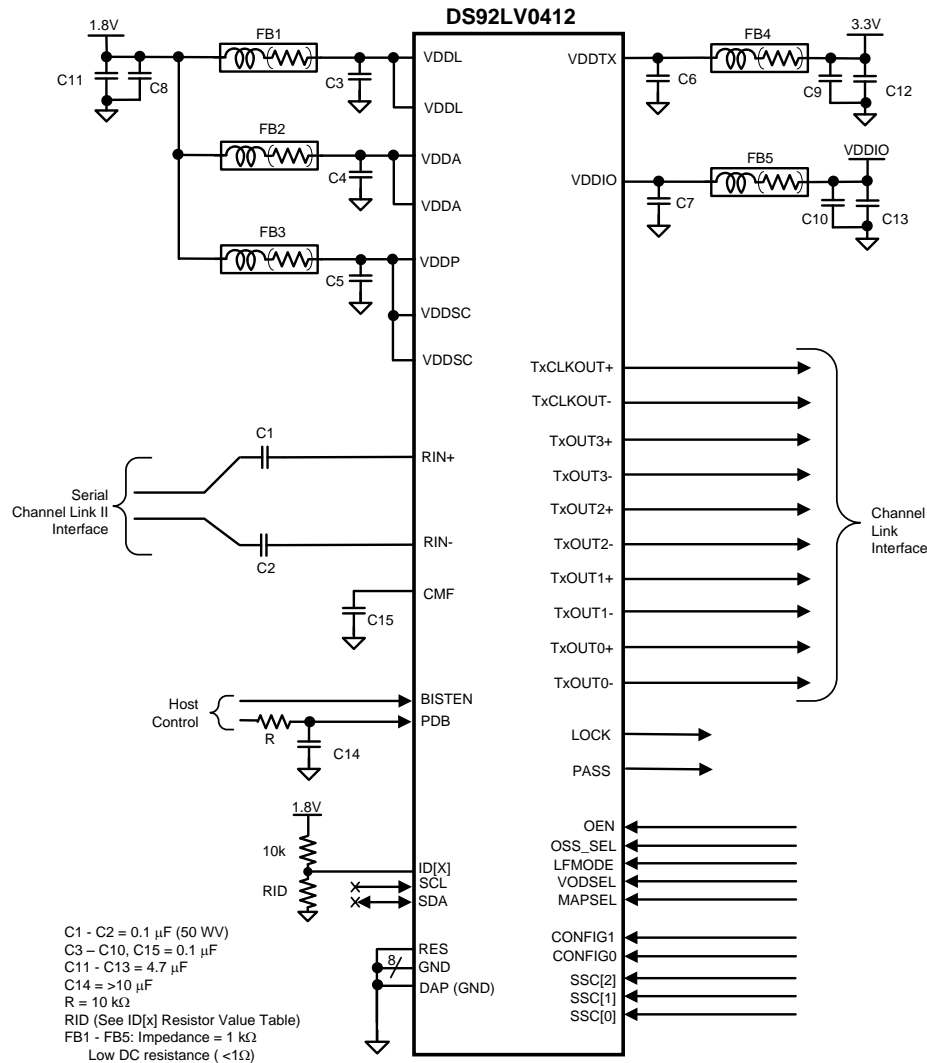


Figure 34. DS92LV0412 Typical Connection Diagram

POWER UP REQUIREMENTS AND PDB PIN

The VDD (V_{DDn} and V_{DDIO}) supply ramp should be faster than 1.5 ms with a monotonic rise. If slower than 1.5 ms then a capacitor on the PDB pin is needed to ensure PDB arrives after all the VDD have settled to the recommended operating voltage. When PDB pin is pulled to V_{DDIO} , it is recommended to use a 10 k Ω pull-up and a 22 μ F cap to GND to delay the PDB input signal.

TRANSMISSION MEDIA

The DS92LV0411 / DS92LV0412 and their companion deserializer/serializer chipset is intended to be used in a point-to-point configuration, through a PCB trace, twisted pair or coaxial cables. The DS92LV0411 requires external parallel LVDS termination, but provides internal serial lane terminations to provide a clean signaling environment. The interconnect for LVDS should present a differential impedance of 100 Ohms. The interconnect for the Channel Link II interface should present a differential impedance of 100 Ohms or when configured for coaxial cables the interconnect should present an impedance of 50 Ohms. Use cables and connectors that have matched impedance to minimize impedance discontinuities. Shielded or un-shielded cables may be used depending upon the noise environment and application requirements.

LIVE LINK INSERTION

The serializer and deserializer devices support live link or cable hot plug applications. The automatic receiver lock to random data “plug & go” hot insertion capability allows the DS92LV0412 to attain lock to the active data stream during a live cable insertion event.

ALTERNATE COLOR / DATA MAPPING

Color Mapped data Pin names are provided to specify a recommended mapping for 24-bit and 18-bit Applications. When connecting to earlier generations of Channel Link II deserializer devices, a color mapping review is recommended to ensure the correct connectivity is obtained. [Table 15](#) provides examples for interfacing between DS92LV0411 and different deserializers.

Table 15. Serializer Alternate Color / Data Mapping

| Channel Link | Bit Number | RGB (LSB Example) | DS92LV2412 | DS90UR124 | DS99R124Q | DS90C124 |
|----------------------------|-------------------|-------------------|--------------------------|--------------------------|-----------|--------------------------|
| RxIN3 | Bit 26 | B1 | B1 | N/A | | |
| | Bit 25 | B0 | B0 | | | |
| | Bit 24 | G1 | G1 | | | |
| | Bit 23 | G0 | G0 | | | |
| | Bit 22 | R1 | R1 | | | |
| | Bit 21 | R0 | R0 | | | |
| RxIN2 | Bit 20 | DE | DE | ROUT20 | TxOUT2 | ROUT20 |
| | Bit 19 | VS | VS | ROUT19 | | ROUT19 |
| | Bit 18 | HS | HS | ROUT18 | | ROUT18 |
| | Bit 17 | B7 | B7 | ROUT17 | | ROUT17 |
| | Bit 16 | B6 | B6ROUT10 | ROUT16 | | ROUT16 |
| | Bit 15 | B5 | B5 | ROUT15 | | ROUT15 |
| | Bit 14 | B4 | B4 | ROUT14 | | ROUT14 |
| RxIN1 | Bit 13 | B3 | B3 | ROUT13 | TxOUT1 | ROUT13 |
| | Bit 12 | B2 | B2 | ROUT12 | | ROUT12 |
| | Bit 11 | G7 | G7 | ROUT11 | | ROUT11 |
| | Bit 10 | G6 | G6 | ROUT10 | | ROUT10 |
| | Bit 9 | G5 | G5 | ROUT9 | | ROUT9 |
| | Bit 8 | G4 | G4 | ROUT8 | | ROUT8 |
| | Bit 7 | G3 | G3 | ROUT7 | | ROUT7 |
| RxIN0 | Bit 6 | G2 | G2 | ROUT6 | TxOUT0 | ROUT6 |
| | Bit 5 | R7 | R7 | ROUT5 | | ROUT5 |
| | Bit 4 | R6 | R6 | ROUT4 | | ROUT4 |
| | Bit 3 | R5 | R5 | ROUT3 | | ROUT3 |
| | Bit 2 | R4 | R4 | ROUT2 | | ROUT2 |
| | Bit 1 | R3 | R3 | ROUT1 | | ROUT1 |
| | Bit 0 | R2 | R2 | ROUT0 | | ROUT0 |
| N/A | | | N/A | ROUT23 | OS2 | ROUT23 |
| | | | | ROUT22 | OS1 | ROUT22 |
| | | | | ROUT21 | OS0 | ROUT21 |
| DS92LV0411 Settings | MAPSEL = 0 | | CONFIG [1:0] = 00 | CONFIG [1:0] = 10 | | CONFIG [1:0] = 11 |

Table 16. Deserializer Alternate Color / Data Mapping

| Channel Link | Bit Number | RGB (LSB Example) | DS92LV2411 | DS90UR241 | DS99R421Q | DS90C241 |
|----------------------------|-------------------|-------------------|--------------------------|--------------------------|-----------|--------------------------|
| TxOUT3 | Bit 26 | B1 | B1 | N/A | | |
| | Bit 25 | B0 | B0 | | | |
| | Bit 24 | G1 | G1 | | | |
| | Bit 23 | G0 | G0 | | | |
| | Bit 22 | R1 | R1 | | | |
| | Bit 21 | R0 | R0 | | | |
| TxOUT2 | Bit 20 | DE | DE | DIN20 | RxIN2 | DIN20 |
| | Bit 19 | VS | VS | DIN19 | | DIN19 |
| | Bit 18 | HS | HS | DIN18 | | DIN18 |
| | Bit 17 | B7 | B7 | DIN17 | | DIN17 |
| | Bit 16 | B6 | B6ROUT10 | DIN16 | | DIN16 |
| | Bit 15 | B5 | B5 | DIN15 | | DIN15 |
| | Bit 14 | B4 | B4 | DIN14 | | DIN14 |
| TxOUT1 | Bit 13 | B3 | B3 | DIN13 | RxIN1 | DIN13 |
| | Bit 12 | B2 | B2 | DIN12 | | DIN12 |
| | Bit 11 | G7 | G7 | DIN11 | | DIN11 |
| | Bit 10 | G6 | G6 | DIN10 | | DIN10 |
| | Bit 9 | G5 | G5 | DIN9 | | DIN9 |
| | Bit 8 | G4 | G4 | DIN8 | | DIN8 |
| | Bit 7 | G3 | G3 | DIN7 | | DIN7 |
| TxOUT0 | Bit 6 | G2 | G2 | DIN6 | RxIN0 | DIN6 |
| | Bit 5 | R7 | R7 | DIN5 | | DIN5 |
| | Bit 4 | R6 | R6 | DIN4 | | DIN4 |
| | Bit 3 | R5 | R5 | DIN3 | | DIN3 |
| | Bit 2 | R4 | R4 | DIN2 | | DIN2 |
| | Bit 1 | R3 | R3 | DIN1 | | DIN1 |
| | Bit 0 | R2 | R2 | DIN0 | | DIN0 |
| N/A | | | N/A | DIN923 | OS2 | DIN923 |
| | | | | DIN922 | OS1 | DIN922 |
| | | | | DIN921 | OS0 | DIN921 |
| DS92LV0412 Settings | MAPSEL = 0 | | CONFIG [1:0] = 00 | CONFIG [1:0] = 10 | | CONFIG [1:0] = 11 |

PCB LAYOUT AND POWER SYSTEM CONSIDERATIONS

Circuit board layout and stack-up for the LVDS devices should be designed to provide low-noise power feed to the device. Good layout practice will also separate high frequency or high-level inputs and outputs to minimize unwanted stray noise pickup, feedback and interference. Power system performance may be greatly improved by using thin dielectrics (2 to 4 mils) for power / ground sandwiches. This arrangement provides plane capacitance for the PCB power system with low-inductance parasitics, which has proven especially effective at high frequencies, and makes the value and placement of external bypass capacitors less critical. External bypass capacitors should include both RF ceramic and tantalum electrolytic types. RF capacitors may use values in the range of 0.01 uF to 0.1 uF. Tantalum capacitors may be in the 2.2 uF to 10 uF range. Voltage rating of the tantalum capacitors should be at least 5X the power supply voltage being used.

Surface mount capacitors are recommended due to their smaller parasitics. When using multiple capacitors per supply pin, locate the smaller value closer to the pin. A large bulk capacitor is recommended at the point of power entry. This is typically in the 50uF to 100uF range and will smooth low frequency switching noise. It is recommended to connect power and ground pins directly to the power and ground planes with bypass capacitors connected to the plane with via on both ends of the capacitor. Connecting power or ground pins to an external bypass capacitor will increase the inductance of the path.

A small body size X7R chip capacitor, such as 0603, is recommended for external bypass. Its small body size reduces the parasitic inductance of the capacitor. The user must pay attention to the resonance frequency of these external bypass capacitors, usually in the range of 20-30 MHz. To provide effective bypassing, multiple capacitors are often used to achieve low impedance between the supply rails over the frequency of interest. At high frequency, it is also a common practice to use two vias from power and ground pins to the planes, reducing the impedance at high frequency.

Some devices provide separate power and ground pins for different portions of the circuit. This is done to isolate switching noise effects between different sections of the circuit. Separate planes on the PCB are typically not required. [PIN DESCRIPTIONS](#) tables typically provide guidance on which circuit blocks are connected to which power pin pairs. In some cases, an external filter may be used to provide clean power to sensitive circuits such as PLLs.

Use at least a four layer board with a power and ground plane. Locate LVCMOS signals away from the LVDS lines to prevent coupling from the LVCMOS lines to the LVDS lines. Closely-coupled differential lines of 100 Ohms are typically recommended for LVDS interconnect. The closely coupled lines help to ensure that coupled noise will appear as common-mode and thus is rejected by the receivers. The tightly coupled lines will also radiate less.

Information on the WQFN style package is provided in Application Note: AN-1187 ([SNOA401](#)).

LVDS INTERCONNECT GUIDELINES

See AN-1108 ([SNLA008](#)) and AN-905 ([SNLA035](#)) for full details.

- Use 100Ω coupled differential pairs
- Use the S/2S/3S rule in spacings
 - S = space between the pair
 - 2S = space between pairs
 - 3S = space to LVCMOS signal
- Minimize the number of vias
- If vias are used, be sure to place vias to ground adjacent to the signal vias to ensure a constant return path for the signal
- Use differential connectors when operating above 500Mbps line speed
- Maintain balance of the traces
- Minimize skew within the pair
- Terminate as close to the TX outputs and RX inputs as possible

REVISION HISTORY

| Changes from Revision A (April 2013) to Revision B | Page |
|--|--------------------|
| • Changed layout of National Data Sheet to TI format | 45 |

PACKAGING INFORMATION

| Orderable part number | Status (1) | Material type (2) | Package Pins | Package qty Carrier | RoHS (3) | Lead finish/ Ball material (4) | MSL rating/ Peak reflow (5) | Op temp (°C) | Part marking (6) |
|------------------------------------|---------------|----------------------|-----------------|-----------------------|-------------|--------------------------------------|-----------------------------------|--------------|---------------------|
| DS92LV0411SQ/NOPB | Active | Production | WQFN (NJK) 36 | 1000 SMALL T&R | Yes | SN | Level-3-260C-168 HR | -40 to 85 | LV0411SQ |
| DS92LV0411SQ/NOPB.A | Active | Production | WQFN (NJK) 36 | 1000 SMALL T&R | Yes | SN | Level-3-260C-168 HR | -40 to 85 | LV0411SQ |
| DS92LV0411SQE/NOPB | Active | Production | WQFN (NJK) 36 | 250 SMALL T&R | Yes | SN | Level-3-260C-168 HR | -40 to 85 | LV0411SQ |
| DS92LV0411SQE/NOPB.A | Active | Production | WQFN (NJK) 36 | 250 SMALL T&R | Yes | SN | Level-3-260C-168 HR | -40 to 85 | LV0411SQ |
| DS92LV0411SQX/NOPB | Active | Production | WQFN (NJK) 36 | 2500 LARGE T&R | Yes | SN | Level-3-260C-168 HR | -40 to 85 | LV0411SQ |
| DS92LV0411SQX/NOPB.A | Active | Production | WQFN (NJK) 36 | 2500 LARGE T&R | Yes | SN | Level-3-260C-168 HR | -40 to 85 | LV0411SQ |
| DS92LV0412SQ/NOPB | Active | Production | WQFN (RHS) 48 | 1000 SMALL T&R | Yes | SN | Level-3-260C-168 HR | -40 to 85 | LV0412SQ |
| DS92LV0412SQ/NOPB.A | Active | Production | WQFN (RHS) 48 | 1000 SMALL T&R | Yes | SN | Level-3-260C-168 HR | -40 to 85 | LV0412SQ |
| DS92LV0412SQE/NOPB | Active | Production | WQFN (RHS) 48 | 250 SMALL T&R | Yes | SN | Level-3-260C-168 HR | -40 to 85 | LV0412SQ |
| DS92LV0412SQE/NOPB.A | Active | Production | WQFN (RHS) 48 | 250 SMALL T&R | Yes | SN | Level-3-260C-168 HR | -40 to 85 | LV0412SQ |
| DS92LV0412SQX/NOPB | Active | Production | WQFN (RHS) 48 | 2500 LARGE T&R | Yes | SN | Level-3-260C-168 HR | -40 to 85 | LV0412SQ |
| DS92LV0412SQX/NOPB.A | Active | Production | WQFN (RHS) 48 | 2500 LARGE T&R | Yes | SN | Level-3-260C-168 HR | -40 to 85 | LV0412SQ |

(1) **Status:** For more details on status, see our [product life cycle](#).

(2) **Material type:** When designated, preproduction parts are prototypes/experimental devices, and are not yet approved or released for full production. Testing and final process, including without limitation quality assurance, reliability performance testing, and/or process qualification, may not yet be complete, and this item is subject to further changes or possible discontinuation. If available for ordering, purchases will be subject to an additional waiver at checkout, and are intended for early internal evaluation purposes only. These items are sold without warranties of any kind.

(3) **RoHS values:** Yes, No, RoHS Exempt. See the [TI RoHS Statement](#) for additional information and value definition.

(4) **Lead finish/Ball material:** Parts may have multiple material finish options. Finish options are separated by a vertical ruled line. Lead finish/Ball material values may wrap to two lines if the finish value exceeds the maximum column width.

(5) **MSL rating/Peak reflow:** The moisture sensitivity level ratings and peak solder (reflow) temperatures. In the event that a part has multiple moisture sensitivity ratings, only the lowest level per JEDEC standards is shown. Refer to the shipping label for the actual reflow temperature that will be used to mount the part to the printed circuit board.

(6) **Part marking:** There may be an additional marking, which relates to the logo, the lot trace code information, or the environmental category of the part.

Multiple part markings will be inside parentheses. Only one part marking contained in parentheses and separated by a "-" will appear on a part. If a line is indented then it is a continuation of the previous line and the two combined represent the entire part marking for that device.

Important Information and Disclaimer: The information provided on this page represents TI's knowledge and belief as of the date that it is provided. TI bases its knowledge and belief on information provided by third parties, and makes no representation or warranty as to the accuracy of such information. Efforts are underway to better integrate information from third parties. TI has taken and continues to take reasonable steps to provide representative and accurate information but may not have conducted destructive testing or chemical analysis on incoming materials and chemicals. TI and TI suppliers consider certain information to be proprietary, and thus CAS numbers and other limited information may not be available for release.

In no event shall TI's liability arising out of such information exceed the total purchase price of the TI part(s) at issue in this document sold by TI to Customer on an annual basis.

TAPE AND REEL INFORMATION

QUADRANT ASSIGNMENTS FOR PIN 1 ORIENTATION IN TAPE

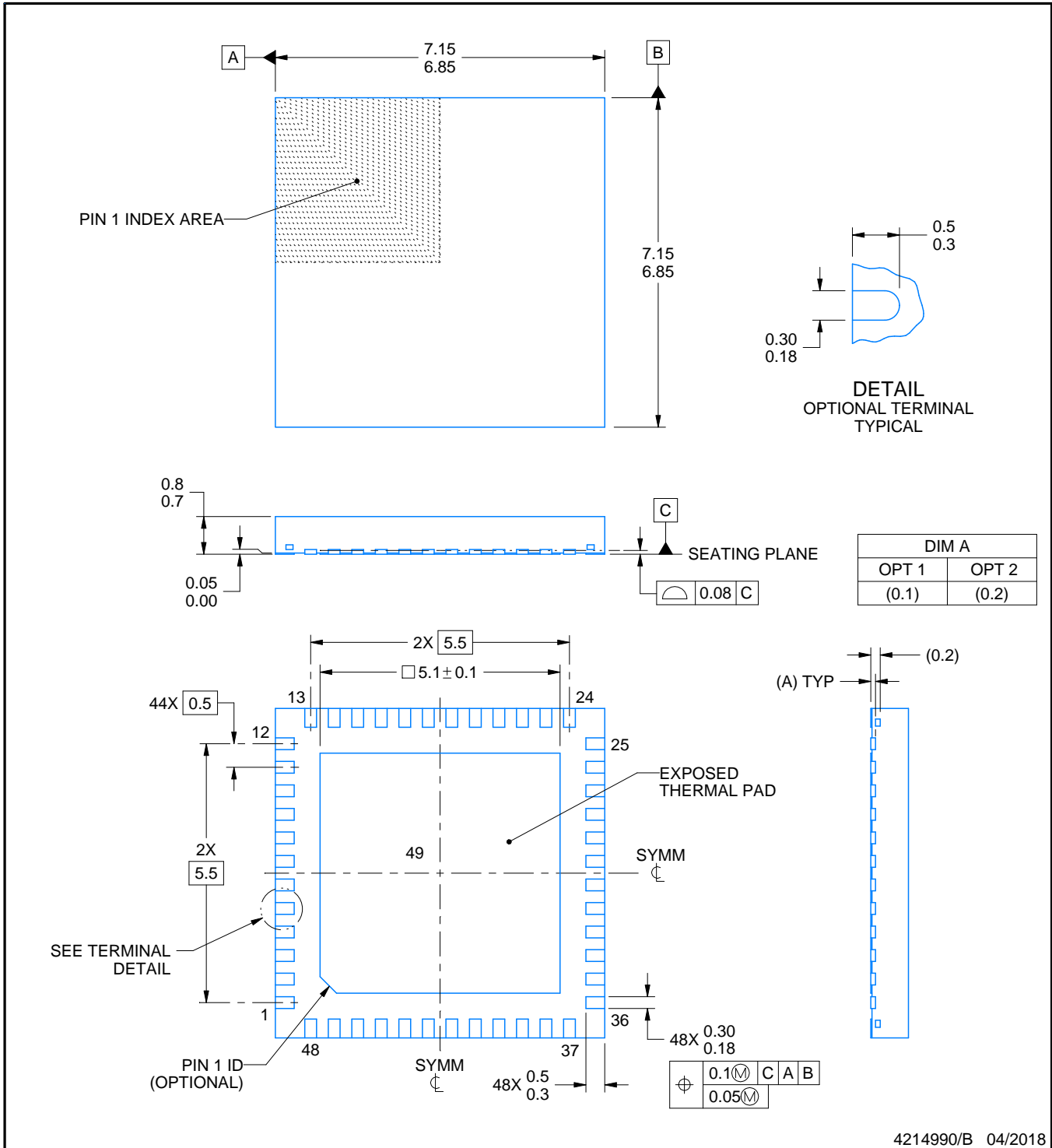

*All dimensions are nominal

| Device | Package Type | Package Drawing | Pins | SPQ | Reel Diameter (mm) | Reel Width W1 (mm) | A0 (mm) | B0 (mm) | K0 (mm) | P1 (mm) | W (mm) | Pin1 Quadrant |
|--------------------|--------------|-----------------|------|------|--------------------|--------------------|---------|---------|---------|---------|--------|---------------|
| DS92LV0411SQ/NOPB | WQFN | NJK | 36 | 1000 | 330.0 | 16.4 | 6.3 | 6.3 | 1.5 | 12.0 | 16.0 | Q1 |
| DS92LV0411SQE/NOPB | WQFN | NJK | 36 | 250 | 178.0 | 16.4 | 6.3 | 6.3 | 1.5 | 12.0 | 16.0 | Q1 |
| DS92LV0411SQX/NOPB | WQFN | NJK | 36 | 2500 | 330.0 | 16.4 | 6.3 | 6.3 | 1.5 | 12.0 | 16.0 | Q1 |
| DS92LV0412SQ/NOPB | WQFN | RHS | 48 | 1000 | 330.0 | 16.4 | 7.3 | 7.3 | 1.3 | 12.0 | 16.0 | Q1 |
| DS92LV0412SQE/NOPB | WQFN | RHS | 48 | 250 | 178.0 | 16.4 | 7.3 | 7.3 | 1.3 | 12.0 | 16.0 | Q1 |
| DS92LV0412SQX/NOPB | WQFN | RHS | 48 | 2500 | 330.0 | 16.4 | 7.3 | 7.3 | 1.3 | 12.0 | 16.0 | Q1 |

TAPE AND REEL BOX DIMENSIONS


*All dimensions are nominal

| Device | Package Type | Package Drawing | Pins | SPQ | Length (mm) | Width (mm) | Height (mm) |
|--------------------|--------------|-----------------|------|------|-------------|------------|-------------|
| DS92LV0411SQ/NOPB | WQFN | NJK | 36 | 1000 | 356.0 | 356.0 | 36.0 |
| DS92LV0411SQE/NOPB | WQFN | NJK | 36 | 250 | 208.0 | 191.0 | 35.0 |
| DS92LV0411SQX/NOPB | WQFN | NJK | 36 | 2500 | 356.0 | 356.0 | 36.0 |
| DS92LV0412SQ/NOPB | WQFN | RHS | 48 | 1000 | 356.0 | 356.0 | 36.0 |
| DS92LV0412SQE/NOPB | WQFN | RHS | 48 | 250 | 208.0 | 191.0 | 35.0 |
| DS92LV0412SQX/NOPB | WQFN | RHS | 48 | 2500 | 356.0 | 356.0 | 36.0 |



NOTES:

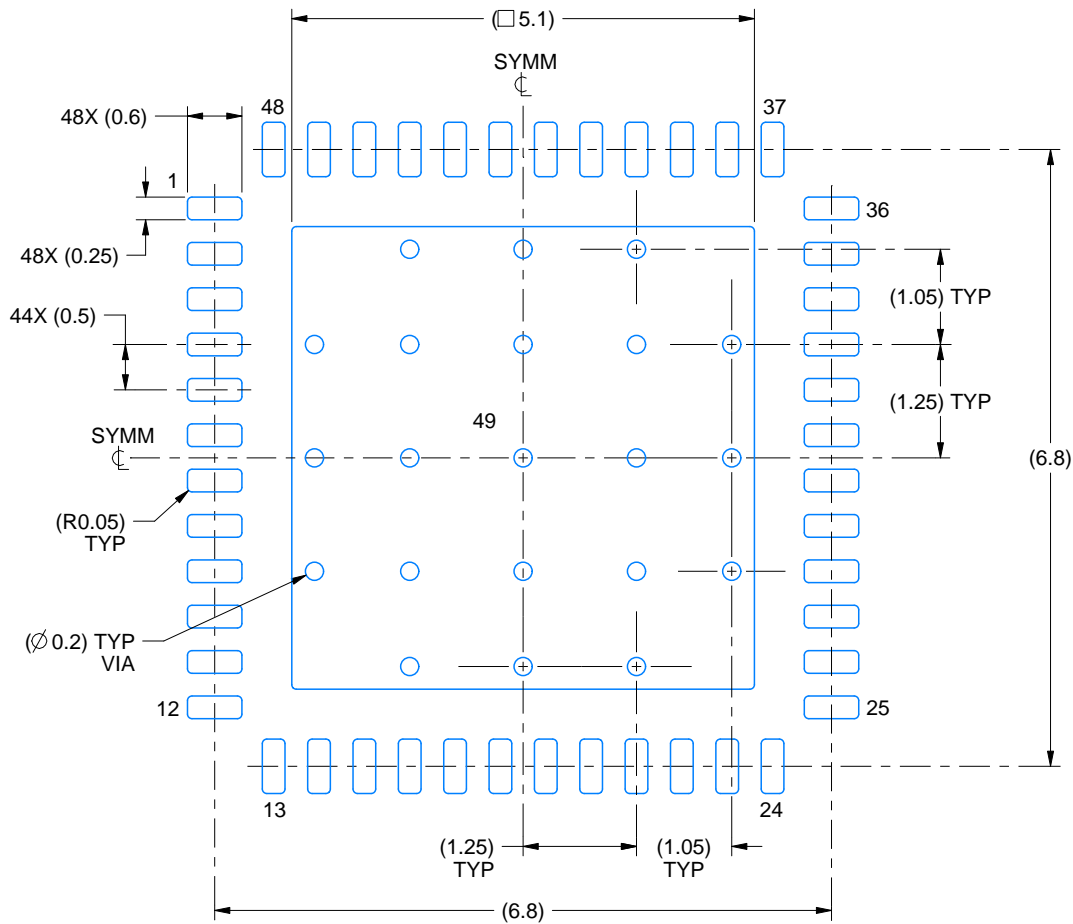
1. All linear dimensions are in millimeters. Any dimensions in parenthesis are for reference only. Dimensioning and tolerancing per ASME Y14.5M.
2. This drawing is subject to change without notice.
3. The package thermal pad must be soldered to the printed circuit board for thermal and mechanical performance.

EXAMPLE BOARD LAYOUT

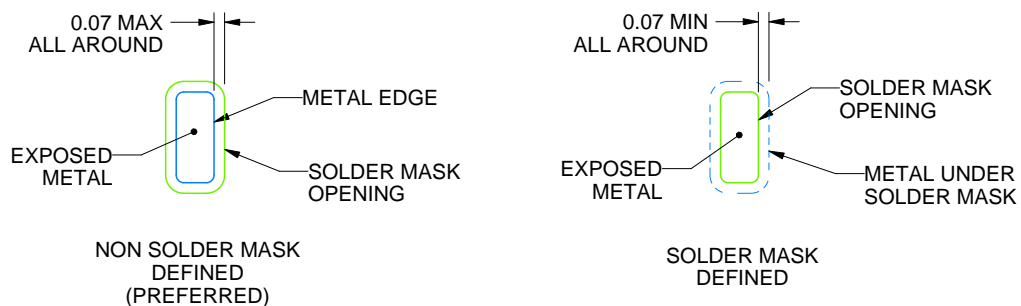
RHS0048A

WQFN - 0.8 mm max height

PLASTIC QUAD FLATPACK - NO LEAD



LAND PATTERN EXAMPLE
EXPOSED METAL SHOWN
SCALE:12X



SOLDER MASK DETAILS

4214990/B 04/2018

NOTES: (continued)

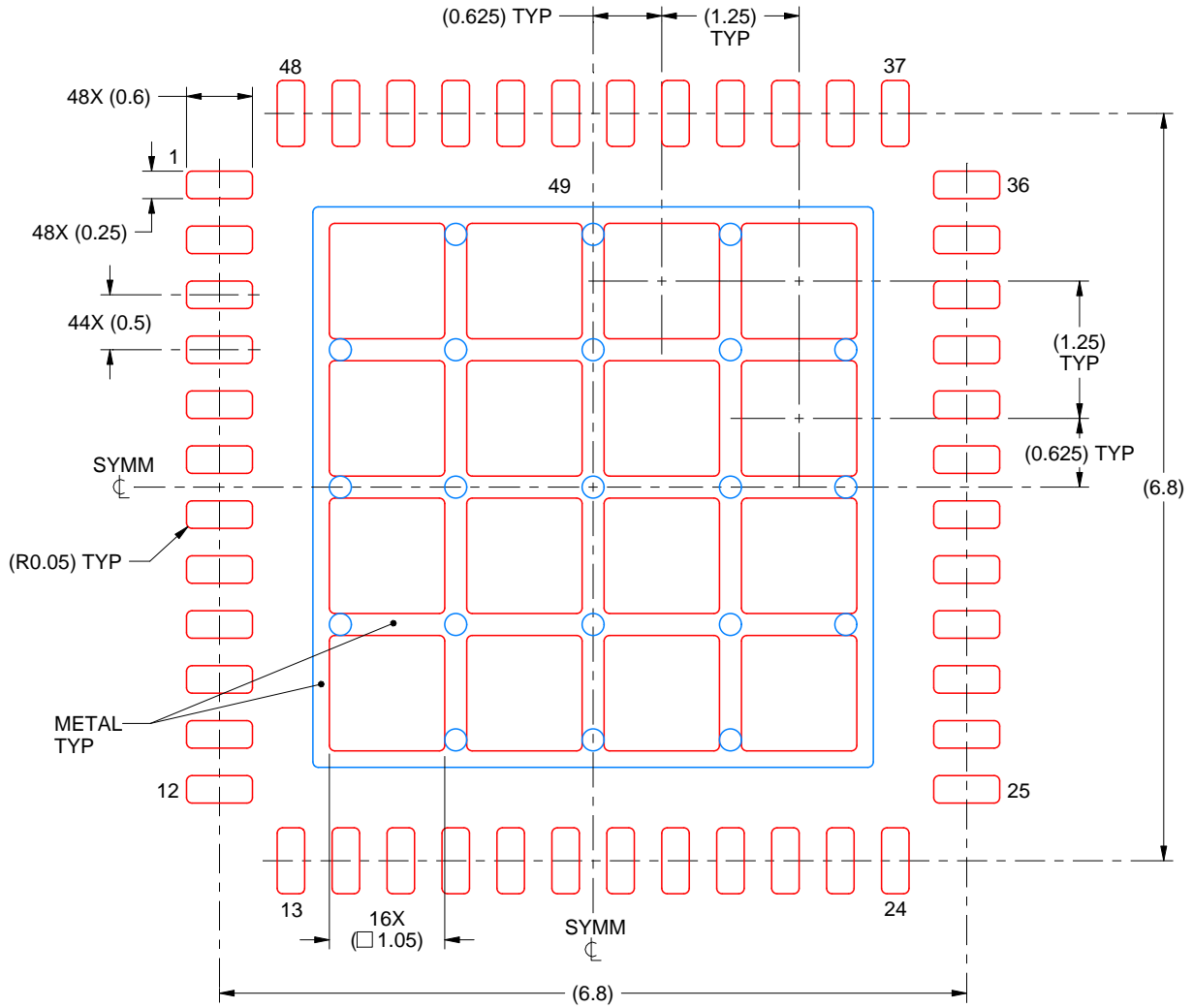
4. This package is designed to be soldered to a thermal pad on the board. For more information, see Texas Instruments literature number SLUA271 (www.ti.com/lit/slua271).
5. Vias are optional depending on application, refer to device data sheet. If any vias are implemented, refer to their locations shown on this view. It is recommended that vias under paste be filled, plugged or tented.

EXAMPLE STENCIL DESIGN

RHS0048A

WQFN - 0.8 mm max height

PLASTIC QUAD FLATPACK - NO LEAD



SOLDER PASTE EXAMPLE
 BASED ON 0.125 mm THICK STENCIL

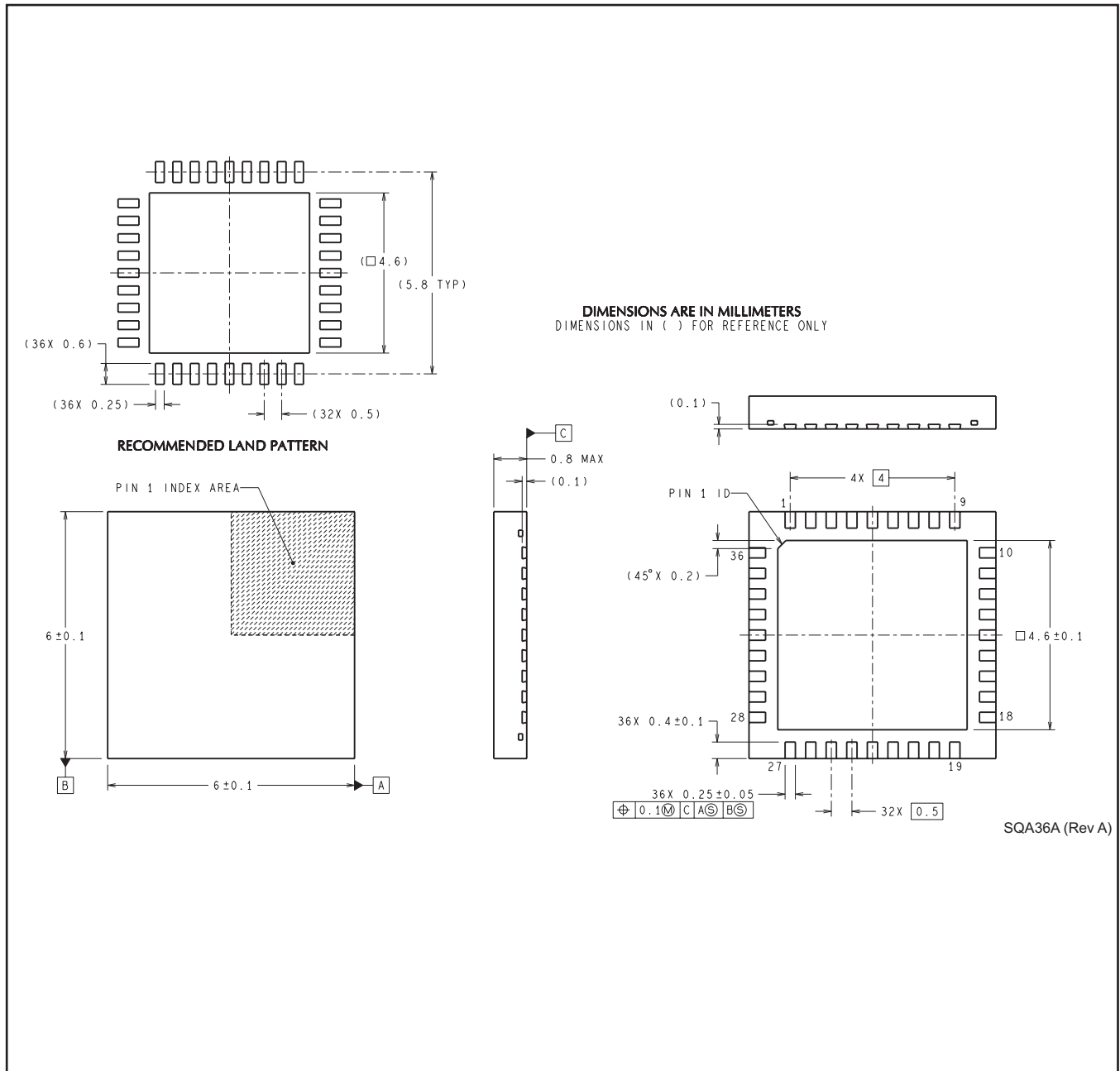
EXPOSED PAD 49
 68% PRINTED SOLDER COVERAGE BY AREA UNDER PACKAGE
 SCALE:15X

4214990/B 04/2018

NOTES: (continued)

6. Laser cutting apertures with trapezoidal walls and rounded corners may offer better paste release. IPC-7525 may have alternate design recommendations.

NJK0036A



IMPORTANT NOTICE AND DISCLAIMER

TI PROVIDES TECHNICAL AND RELIABILITY DATA (INCLUDING DATASHEETS), DESIGN RESOURCES (INCLUDING REFERENCE DESIGNS), APPLICATION OR OTHER DESIGN ADVICE, WEB TOOLS, SAFETY INFORMATION, AND OTHER RESOURCES "AS IS" AND WITH ALL FAULTS, AND DISCLAIMS ALL WARRANTIES, EXPRESS AND IMPLIED, INCLUDING WITHOUT LIMITATION ANY IMPLIED WARRANTIES OF MERCHANTABILITY, FITNESS FOR A PARTICULAR PURPOSE OR NON-INFRINGEMENT OF THIRD PARTY INTELLECTUAL PROPERTY RIGHTS.

These resources are intended for skilled developers designing with TI products. You are solely responsible for (1) selecting the appropriate TI products for your application, (2) designing, validating and testing your application, and (3) ensuring your application meets applicable standards, and any other safety, security, regulatory or other requirements.

These resources are subject to change without notice. TI grants you permission to use these resources only for development of an application that uses the TI products described in the resource. Other reproduction and display of these resources is prohibited. No license is granted to any other TI intellectual property right or to any third party intellectual property right. TI disclaims responsibility for, and you fully indemnify TI and its representatives against any claims, damages, costs, losses, and liabilities arising out of your use of these resources.

TI's products are provided subject to [TI's Terms of Sale](#), [TI's General Quality Guidelines](#), or other applicable terms available either on [ti.com](#) or provided in conjunction with such TI products. TI's provision of these resources does not expand or otherwise alter TI's applicable warranties or warranty disclaimers for TI products. Unless TI explicitly designates a product as custom or customer-specified, TI products are standard, catalog, general purpose devices.

TI objects to and rejects any additional or different terms you may propose.

Copyright © 2025, Texas Instruments Incorporated

Last updated 10/2025