

## LM748QML Operational Amplifier

 Check for Samples: [LM748QML](#)

### FEATURES

- Frequency Compensation with a Single 30 pF Capacitor
- Operation from  $\pm 5\text{V}$  to Operation from  $\pm 20\text{V}$
- Continuous Short-Circuit Protection
- Operation as a Comparator with Differential Inputs as High as  $\pm 30\text{V}$
- No Latch-Up when Common Mode Range is Exceeded
- Same Pin Configuration as the LM101

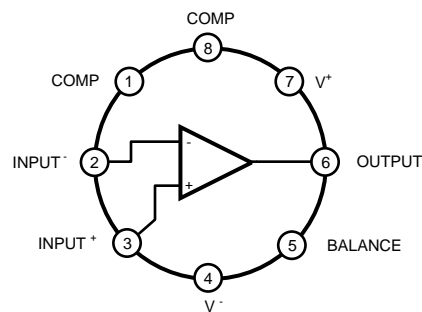
### DESCRIPTION

The LM748 is a general purpose operational amplifier with external frequency compensation.

The unity-gain compensation specified makes the circuit stable for all feedback configurations, even with capacitive loads. It is possible to optimize compensation for best high frequency performance at any gain. As a comparator, the output can be clamped at any desired level to make it compatible with logic circuits.

The LM748 is specified for operation over the  $-55^{\circ}\text{C}$  to  $+125^{\circ}\text{C}$  military temperature range.

### Connection Diagram



**Figure 1. 8LD Metal Can Package (Top View)  
See Package Number LMC0008C**



These devices have limited built-in ESD protection. The leads should be shorted together or the device placed in conductive foam during storage or handling to prevent electrostatic damage to the MOS gates.



Please be aware that an important notice concerning availability, standard warranty, and use in critical applications of Texas Instruments semiconductor products and disclaimers thereto appears at the end of this data sheet.

All trademarks are the property of their respective owners.

### Absolute Maximum Ratings<sup>(1)</sup>

Supply Voltage	±22V
Power Dissipation <sup>(2)</sup>	500mW
Differential Input Voltage	±30V
Input Voltage <sup>(3)</sup>	±15V
Output Short-Circuit Duration <sup>(4)</sup>	Indefinite
Operating Temperature Range	-55°C ≤ T <sub>A</sub> ≤ 125°C
Storage Temperature Range	-65°C ≤ T <sub>A</sub> ≤ 150°C
Maximum Junction Temperature	150°C
Lead Temperature (Soldering, 10 seconds)	300°C

- (1) Absolute Maximum Ratings indicate limits beyond which damage to the device may occur. Operating Ratings indicate conditions for which the device is functional, but do not ensure specific performance limits. For ensured specifications and test conditions, see the Electrical Characteristics. The ensured specifications apply only for the test conditions listed. Some performance characteristics may degrade when the device is not operated under the listed test conditions.
- (2) For operating at elevated temperatures, the device must be derated based on a maximum junction to case thermal resistance of 45°C/W, or 150°C/W
- (3) For supply voltages less than ±15V, the absolute maximum input voltage is equal to the supply voltage.
- (4) Continuous short circuit is allowed for case temperatures to +125°C.

### Quality Conformance Inspection

**Table 1. Mil-Std-883, Method 5005 - Group A**

Subgroup	Description	Temp (°C)
1	Static tests at	+25
2	Static tests at	+125
3	Static tests at	-55
4	Dynamic tests at	+25
5	Dynamic tests at	+125
6	Dynamic tests at	-55
7	Functional tests at	+25
8A	Functional tests at	+125
8B	Functional tests at	-55
9	Switching tests at	+25
10	Switching tests at	+125
11	Switching tests at	-55
12	Settling time at	+25
13	Settling time at	+125
14	Settling time at	-55

## LM748 Electrical Characteristics DC Parameters

The following conditions apply, unless otherwise specified. DC:  $V_{CC} = \pm 15V$ ,  $V_{CM} = 0V$

Symbol	Parameter	Conditions	Notes	Min	Max	Units	Sub-groups
$V_{IO}$	Input Offset Voltage	$V_{CM} = 12V$			3.0	mV	1
					4.0	mV	2, 3
		$V_{CM} = -12V$			3.0	mV	1
					4.0	mV	2, 3
		$V_{CC} = \pm 5V$			3.0	mV	1
					4.0	mV	2, 3
					3.0	mV	1
					4.0	mV	2, 3
$I_{IO}$	Input Offset Current	$V_{CM} = 12V$			200	nA	1
					500	nA	2, 3
		$V_{CM} = -12V$			200	nA	1
					500	nA	2, 3
		$V_{CC} = \pm 5V$			200	nA	1
					500	nA	2, 3
					200	nA	1
					500	nA	2, 3
$I_{IB}$	Input Bias Current	$V_{CM} = 12V$			500	nA	1
					1500	nA	2, 3
		$V_{CM} = -12V$			500	nA	1
					1500	nA	2, 3
		$V_{CC} = \pm 5V$			500	nA	1
					1500	nA	2, 3
					500	nA	1
					1500	nA	2, 3
PSRR+	Power Supply Rejection Ratio	$+V_{CC} = 15V$ to $5V$ , $-V_{CC} = -15V$		77		dB	1, 2, 3
PSRR-	Power Supply Rejection Ratio	$-V_{CC} = -15V$ to $-5V$ , $+V_{CC} = +15V$		77		dB	1, 2, 3
CMRR	Common Mode Rejection Ratio	$-12V \leq V_{CM} \leq +12V$		70		dB	1, 2, 3
$-A_{VS}$	Large Signal Voltage Gain	$R_L = 2K\Omega$ , $V_O = -10V$	See <sup>(1)</sup>		50	V/mV	1
					25	V/mV	2, 3
$+A_{VS}$	Large Signal Voltage Gain	$R_L = 2K\Omega$ , $V_O = +10V$	See <sup>(1)</sup>		50	V/mV	1
					25	V/mV	2, 3
$+V_{IO\ Adj}$	Offset Null	$V_{CC} = \pm 20V$		4.0		mV	1
$-V_{IO\ Adj}$	Offset Null	$V_{CC} = \pm 20V$			-4.0	mV	1

(1) Datalog reading in K = V/mV.

### LM748 Electrical Characteristics DC Parameters (continued)

The following conditions apply, unless otherwise specified. DC:  $V_{CC} = \pm 15V$ ,  $V_{CM} = 0V$

Symbol	Parameter	Conditions	Notes	Min	Max	Units	Sub-groups
$+I_{OS}$	Short Circuit Current			-45	-7.0	mA	1
				-45	-5.0	mA	2
				-55	-7.0	mA	3
$-I_{OS}$	Short Circuit Current			7.0	45	mA	1
				5.0	45	mA	2
				7.0	55	mA	3
$V_{O+}$	Output Voltage Swing	$R_L = 10K\Omega$		12		V	1, 2, 3
		$R_L = 2K\Omega$		10		V	1, 2, 3
$V_{O-}$	Output Voltage Swing	$R_L = 2K\Omega$			-10	V	1, 2, 3
		$R_L = 10K\Omega$			-12	V	1, 2, 3
$I_{CC}$	Supply Current				2.8	mA	1
					2.25	mA	2
					3.3	mA	3

### REVISION HISTORY

Released	Revision	Section	Changes
12/16/2010	A	New Release, Corporate format	1 MDS data sheet converted into one Corp. data sheet format. The drift table was eliminated from the 883 section since it did not apply; MNLM748-X Rev 0BL will be archived.
03/26/13	A	All	Changed layout of National Data Sheet to TI format.

**PACKAGING INFORMATION**

Orderable part number	Status (1)	Material type (2)	Package   Pins	Package qty   Carrier	RoHS (3)	Lead finish/ Ball material (4)	MSL rating/ Peak reflow (5)	Op temp (°C)	Part marking (6)
LM748H/883	Active	Production	TO-99 (LMC)   8	20   JEDEC TRAY (5+1)	Yes	Call TI	Level-1-NA-UNLIM	-55 to 125	LM748H/883 Q ACO LM748H/883 Q >T

(1) **Status:** For more details on status, see our [product life cycle](#).

(2) **Material type:** When designated, preproduction parts are prototypes/experimental devices, and are not yet approved or released for full production. Testing and final process, including without limitation quality assurance, reliability performance testing, and/or process qualification, may not yet be complete, and this item is subject to further changes or possible discontinuation. If available for ordering, purchases will be subject to an additional waiver at checkout, and are intended for early internal evaluation purposes only. These items are sold without warranties of any kind.

(3) **RoHS values:** Yes, No, RoHS Exempt. See the [TI RoHS Statement](#) for additional information and value definition.

(4) **Lead finish/Ball material:** Parts may have multiple material finish options. Finish options are separated by a vertical ruled line. Lead finish/Ball material values may wrap to two lines if the finish value exceeds the maximum column width.

(5) **MSL rating/Peak reflow:** The moisture sensitivity level ratings and peak solder (reflow) temperatures. In the event that a part has multiple moisture sensitivity ratings, only the lowest level per JEDEC standards is shown. Refer to the shipping label for the actual reflow temperature that will be used to mount the part to the printed circuit board.

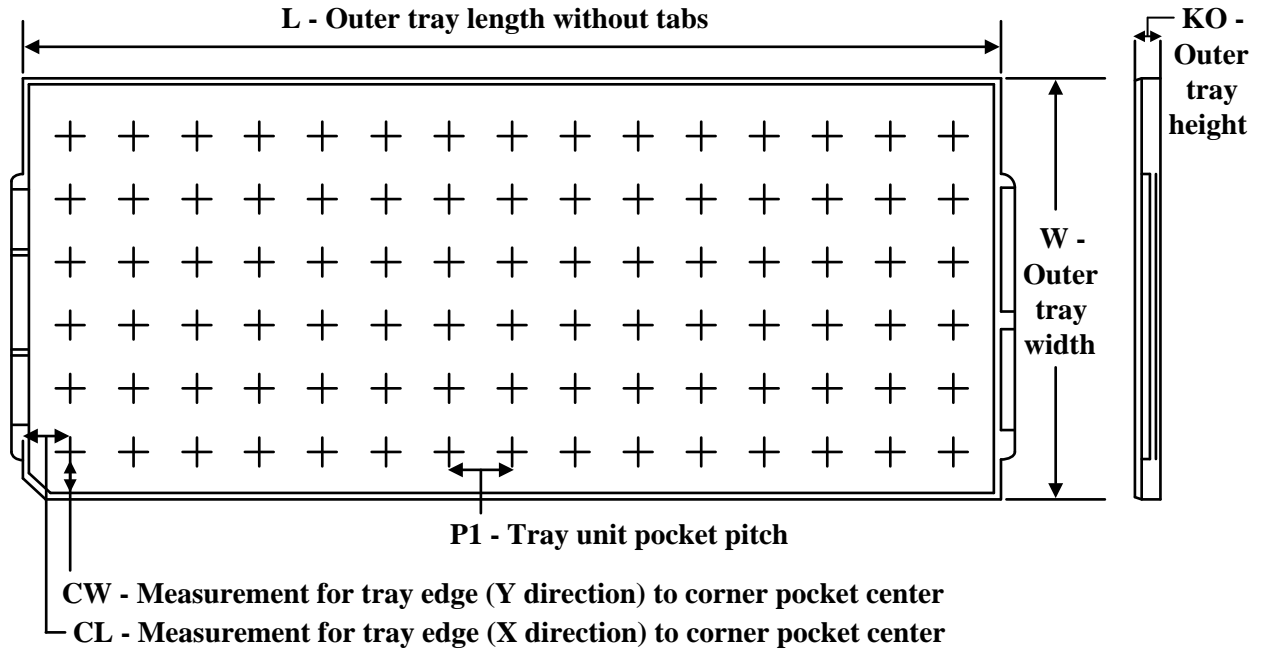
(6) **Part marking:** There may be an additional marking, which relates to the logo, the lot trace code information, or the environmental category of the part.

Multiple part markings will be inside parentheses. Only one part marking contained in parentheses and separated by a "~" will appear on a part. If a line is indented then it is a continuation of the previous line and the two combined represent the entire part marking for that device.

**Important Information and Disclaimer:** The information provided on this page represents TI's knowledge and belief as of the date that it is provided. TI bases its knowledge and belief on information provided by third parties, and makes no representation or warranty as to the accuracy of such information. Efforts are underway to better integrate information from third parties. TI has taken and continues to take reasonable steps to provide representative and accurate information but may not have conducted destructive testing or chemical analysis on incoming materials and chemicals. TI and TI suppliers consider certain information to be proprietary, and thus CAS numbers and other limited information may not be available for release.

In no event shall TI's liability arising out of such information exceed the total purchase price of the TI part(s) at issue in this document sold by TI to Customer on an annual basis.

**TRAY**



Chamfer on Tray corner indicates Pin 1 orientation of packed units.

\*All dimensions are nominal

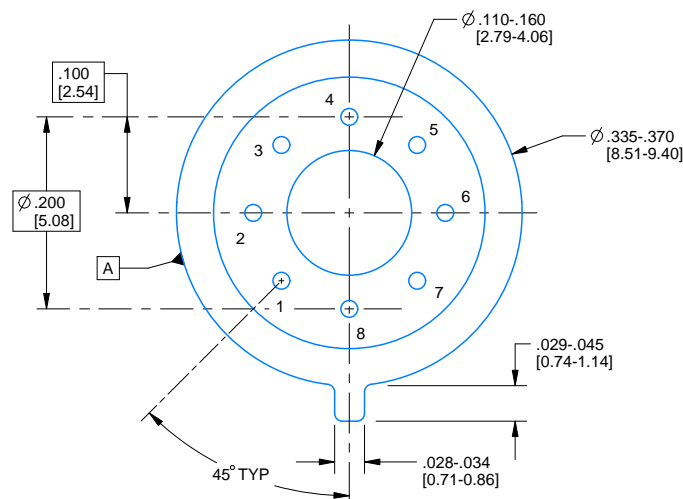
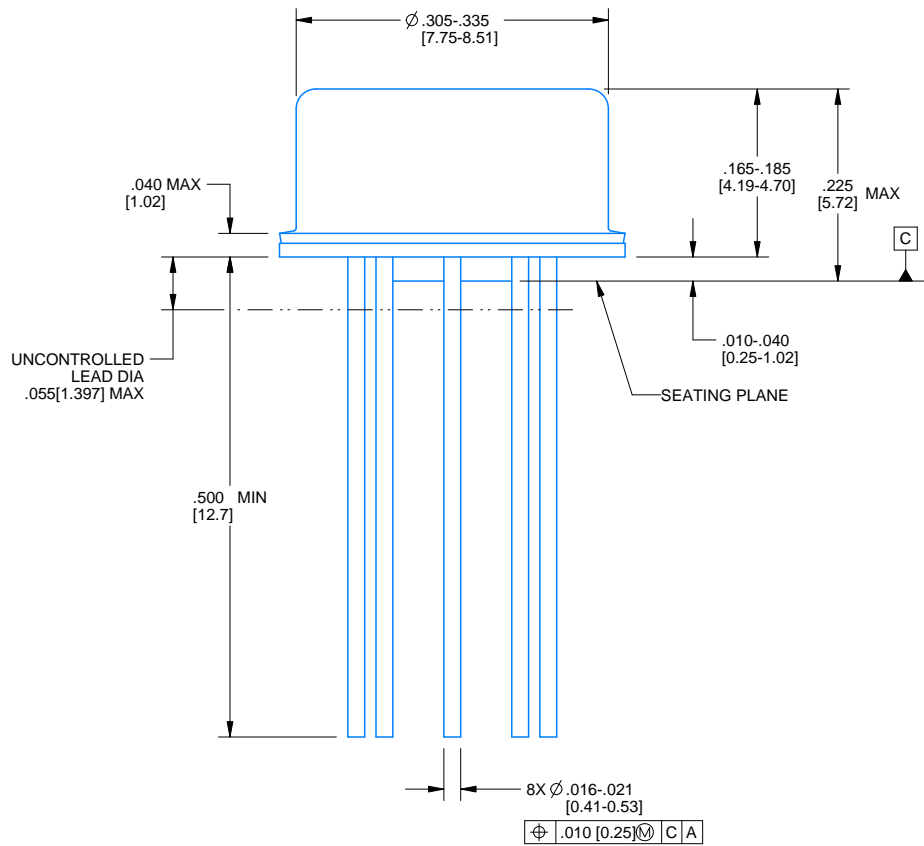
Device	Package Name	Package Type	Pins	SPQ	Unit array matrix	Max temperature (°C)	L (mm)	W (mm)	K0 (µm)	P1 (mm)	CL (mm)	CW (mm)
LM748H/883	LMC	TO-CAN	8	20	2 X 10	150	126.49	61.98	8890	11.18	12.95	18.54

# PACKAGE OUTLINE

## LMC0008A

### TO-CAN - 5.72 mm max height

TRANSISTOR OUTLINE



4220610/B 09/2024

#### NOTES:

1. All linear dimensions are in inches [millimeters]. Any dimensions in parenthesis are for reference only. Dimensioning and tolerancing per ASME Y14.5M.
2. This drawing is subject to change without notice.
3. Pin numbers shown for reference only. Numbers may not be marked on package.
4. Reference JEDEC registration MO-002/TO-99.





## IMPORTANT NOTICE AND DISCLAIMER

TI PROVIDES TECHNICAL AND RELIABILITY DATA (INCLUDING DATASHEETS), DESIGN RESOURCES (INCLUDING REFERENCE DESIGNS), APPLICATION OR OTHER DESIGN ADVICE, WEB TOOLS, SAFETY INFORMATION, AND OTHER RESOURCES "AS IS" AND WITH ALL FAULTS, AND DISCLAIMS ALL WARRANTIES, EXPRESS AND IMPLIED, INCLUDING WITHOUT LIMITATION ANY IMPLIED WARRANTIES OF MERCHANTABILITY, FITNESS FOR A PARTICULAR PURPOSE OR NON-INFRINGEMENT OF THIRD PARTY INTELLECTUAL PROPERTY RIGHTS.

These resources are intended for skilled developers designing with TI products. You are solely responsible for (1) selecting the appropriate TI products for your application, (2) designing, validating and testing your application, and (3) ensuring your application meets applicable standards, and any other safety, security, regulatory or other requirements.

These resources are subject to change without notice. TI grants you permission to use these resources only for development of an application that uses the TI products described in the resource. Other reproduction and display of these resources is prohibited. No license is granted to any other TI intellectual property right or to any third party intellectual property right. TI disclaims responsibility for, and you fully indemnify TI and its representatives against any claims, damages, costs, losses, and liabilities arising out of your use of these resources.

TI's products are provided subject to [TI's Terms of Sale](#), [TI's General Quality Guidelines](#), or other applicable terms available either on [ti.com](#) or provided in conjunction with such TI products. TI's provision of these resources does not expand or otherwise alter TI's applicable warranties or warranty disclaimers for TI products. Unless TI explicitly designates a product as custom or customer-specified, TI products are standard, catalog, general purpose devices.

TI objects to and rejects any additional or different terms you may propose.

Copyright © 2026, Texas Instruments Incorporated

Last updated 10/2025