

PCA9546A 低電圧 4 チャンネル I²C および SMBus スイッチ (リセット機能付き)

1 特長

- 1 対 4 の双方向変換スイッチ
- I²C バスおよび SMBus 互換
- アクティブ LOW のリセット入力
- 3 本のアドレス・ピンにより、最大 8 個の PCA9546A を I²C バスに接続可能
- I²C バス経由で、任意の組み合わせのチャンネルを選択可能
- 電源オン時は、すべてのスイッチ・チャンネルが選択解除された状態
- 低い R_{ON} のスイッチ
- 1.8V、2.5V、3.3V、5V の各電圧のバス間での電圧レベル変換
- 電源オン時のグリッチなし
- 活線挿抜をサポート
- 低スタンバイ電流
- 2.3V~5.5V の動作電源電圧範囲
- 5.5V 許容の入力
- 0~400kHz のクロック周波数
- JESD 78 準拠で 100mA 超のラッチアップ性能
- JESD 22 を超える ESD 保護
 - 2000V、人体モデル (A114-A)
 - 1000V、荷電デバイス・モデル (C101)

2 アプリケーション

- サーバー
- ルーター (テレコム・スイッチング機器)
- ファクトリ・オートメーション
- I²C スレーブ・アドレス競合がある製品 (複数の同一温度センサなど)

3 概要

PCA9546A は、I²C バスで制御されるクワッド双方向変換スイッチです。SCL/SDA 上流ペアが、4 つの下流ペア (チャンネル) に展開されます。プログラム可能な制御レジスタの設定により、どのような個別の SCn/SDn チャンネルでも、あるいは、チャンネルの組み合わせでも選択できます。

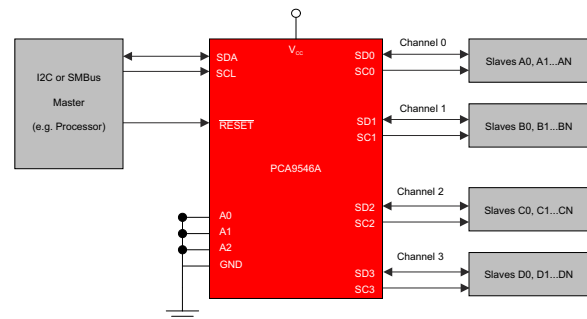
アクティブ LOW のリセット入力 ($\overline{\text{RESET}}$) により、PCA9546A は下流の I²C バスの 1 つが LOW 状態に固着した状況から回復できます。 $\overline{\text{RESET}}$ を LOW にすると、I²C ステート・マシンがリセットされ、すべてのチャンネルが選択解除されます (内部のパワー・オン・リセット機能と同様)。

スイッチのパス・ゲートは、PCA9546A から印加される最大の HIGH 電圧を、V_{CC} ピンを使用して制限できるように構成されています。これによって、ペアごとに異なるバス電圧を使用できるため、1.8V、2.5V、3.3V の部品が、追加保護の必要なしに 5V の部品と通信を行えます。外付けのプルアップ抵抗により、各チャンネルに求められる電圧レベルにバスをプルアップします。すべての I/O ピンは 5.5V 許容です。

パッケージ情報

| 部品番号 | パッケージ(1) | 本体サイズ (公称) |
|----------|------------------|-----------------|
| PCA9546A | SOIC (D) (16) | 9.90mm × 3.91mm |
| | TVSOP (DGV) (16) | 3.60mm × 4.40mm |
| | SOIC (DW) (16) | 10.3mm × 7.50mm |
| | TSSOP (PW) (16) | 5.00mm × 4.40mm |
| | VQFN (RGV) (16) | 4.00mm × 4.00mm |
| | VQFN (RGY) (16) | 4.50mm × 3.50mm |

- (1) 利用可能なすべてのパッケージについては、このデータシートの末尾にある注文情報を参照してください。



Copyright © 2016, Texas Instruments Incorporated

アプリケーション概略図



Table of Contents

| | | | |
|---|----|--|-----------|
| 1 特長..... | 1 | 8.4 Device Functional Modes..... | 11 |
| 2 アプリケーション..... | 1 | 8.5 Programming..... | 11 |
| 3 概要..... | 1 | 8.6 Control Register..... | 14 |
| 4 Revision History..... | 2 | 9 Application Information Disclaimer..... | 16 |
| 5 Pin Configuration and Functions..... | 3 | 9.1 Application Information..... | 16 |
| 6 Specifications..... | 4 | 9.2 Typical Application..... | 16 |
| 6.1 Absolute Maximum Ratings..... | 4 | 10 Power Supply Recommendations..... | 19 |
| 6.2 ESD Ratings..... | 4 | 10.1 Power-On Reset Requirements..... | 19 |
| 6.3 Recommended Operating Conditions..... | 4 | 11 Layout..... | 21 |
| 6.4 Thermal Information..... | 4 | 11.1 Layout Guidelines..... | 21 |
| 6.5 Electrical Characteristics..... | 5 | 11.2 Layout Example..... | 21 |
| 6.6 I ² C Interface Timing Requirements..... | 6 | 12 Device and Documentation Support..... | 22 |
| 6.7 Interrupt and Reset Timing Requirements..... | 7 | 12.1 Receiving Notification of Documentation Updates.. | 22 |
| 6.8 Switching Characteristics..... | 7 | 12.2 サポート・リソース..... | 22 |
| 7 Parameter Measurement Information..... | 8 | 12.3 Trademarks..... | 22 |
| 8 Detailed Description..... | 10 | 12.4 Electrostatic Discharge Caution..... | 22 |
| 8.1 Overview..... | 10 | 12.5 Glossary..... | 22 |
| 8.2 Functional Block Diagram..... | 10 | 13 Mechanical, Packaging, and Orderable | |
| 8.3 Feature Description..... | 11 | Information..... | 22 |

4 Revision History

資料番号末尾の英字は改訂を表しています。その改訂履歴は英語版に準じています。

Changes from Revision H (March 2021) to Revision I (June 2022) Page

- 「パッケージ情報」表の TSSOP (PW) (16) を 9.70mm x 4.40mm から 5.00mm x 4.40mm に変更..... 1

Changes from Revision G (May 2016) to Revision H (March 2021) Page

- 「パッケージ情報」表を変更..... 1
- Moved the Package thermal impedance to the *Thermal Information* table..... 4
- Added the *Thermal Information* table..... 4
- Changed the V_{PORR} row in the *Electrical Characteristics* 5
- Added V_{PORF} row to the *Electrical Characteristics* 5
- Changed the I_{CC} Low inputs and High inputs values in the *Electrical Characteristics* 5
- Changed the R_{on} (4.5 V to 5.5 V) TYP value From: 9 Ω To: 10 Ω in the *Electrical Characteristics* 5
- Changed the R_{on} (3 V to 3.6 V) TYP value From: 11 Ω To: 13 Ω in the *Electrical Characteristics* 5
- Changed the *Power Supply Recommendations* 19

Changes from Revision F (April 2014) to Revision G (May 2016) Page

- Revised pack material addendum; pin 1 quadrant 22

Changes from Revision E (January 2008) to Revision F (April 2014) Page

- Added RESET Errata section..... 11

5 Pin Configuration and Functions

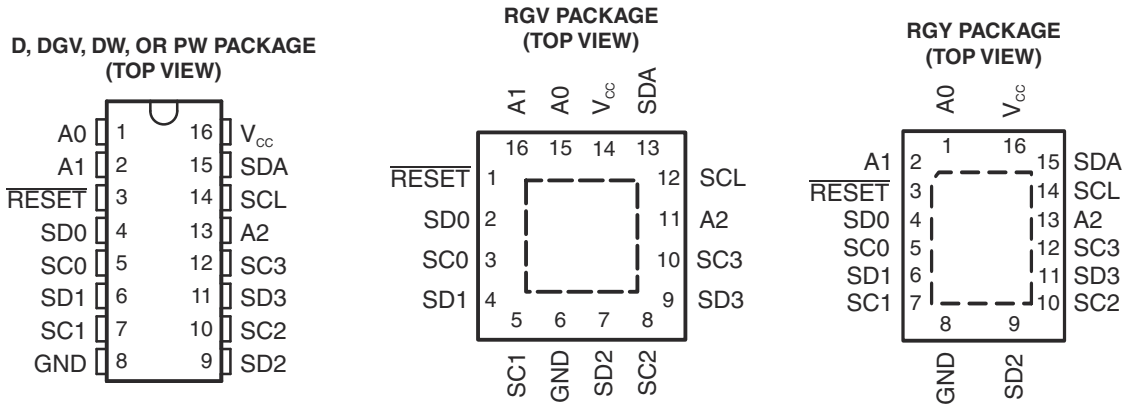


表 5-1. Pin Functions

| NAME | PIN NO. | | DESCRIPTION |
|-----------------|-------------------------|-----|--|
| | D, DGV, DW, PW, AND RGY | RGV | |
| A0 | 1 | 15 | Address input 0. Connect directly to V _{CC} or ground |
| A1 | 2 | 16 | Address input 1. Connect directly to V _{CC} or ground |
| A2 | 13 | 11 | Address input 2. Connect directly to V _{CC} or ground |
| GND | 8 | 6 | Ground |
| RESET | 3 | 1 | Active low reset input. Connect to V _{DPUM} ⁽¹⁾ through a pull-up resistor, if not used. |
| SD0 | 4 | 2 | Serial data 0. Connect to V _{DPU0} ⁽¹⁾ through a pull-up resistor |
| SC0 | 5 | 3 | Serial clock 0. Connect to V _{DPU0} ⁽¹⁾ through a pull-up resistor |
| SD1 | 6 | 4 | Serial data 1. Connect to V _{DPU1} ⁽¹⁾ through a pull-up resistor |
| SC1 | 7 | 5 | Serial clock 1. Connect to V _{DPU1} ⁽¹⁾ through a pull-up resistor |
| SD2 | 9 | 7 | Serial data 2. Connect to V _{DPU2} ⁽¹⁾ through a pull-up resistor |
| SC2 | 10 | 8 | Serial clock 2. Connect to V _{DPU2} ⁽¹⁾ through a pull-up resistor |
| SD3 | 11 | 9 | Serial data 3. Connect to V _{DPU3} ⁽¹⁾ through a pull-up resistor. |
| SC3 | 12 | 10 | Serial clock 3. Connect to V _{DPU3} ⁽¹⁾ through a pull-up resistor |
| SCL | 14 | 12 | Serial clock line. Connect to V _{DPUM} ⁽¹⁾ through a pull-up resistor |
| SDA | 15 | 13 | Serial data line. Connect to V _{DPUM} ⁽¹⁾ through a pull-up resistor |
| V _{CC} | 16 | 14 | Supply power |

(1) V_{DPUX} is the pull-up reference voltage for the associated data line. V_{DPUM} is the master I²C reference voltage while V_{DPU0} - V_{DPU3} are the slave channel reference voltages.

6 Specifications

6.1 Absolute Maximum Ratings

over operating free-air temperature range (unless otherwise noted) ⁽¹⁾

| | | MIN | MAX | UNIT |
|------------------|--|------|------|------|
| V _{CC} | Supply voltage | -0.5 | 7 | V |
| V _I | Input voltage ⁽²⁾ | -0.5 | 7 | V |
| I _I | Input current | | ±20 | mA |
| I _O | Output current | | ±25 | mA |
| | Continuous current through V _{CC} | | ±100 | mA |
| | Continuous current through GND | | ±100 | mA |
| P _{tot} | Total power dissipation | | 400 | mW |
| T _A | Operating free-air temperature | -40 | 85 | °C |
| T _{stg} | Storage temperature | -65 | 150 | |

- (1) Stresses beyond those listed under *Absolute Maximum Ratings* may cause permanent damage to the device. These are stress ratings only, which do not imply functional operation of the device at these or any other conditions beyond those indicated under *Recommended Operating Conditions*. Exposure to absolute-maximum-rated conditions for extended periods may affect device reliability.
- (2) The input negative-voltage and output voltage ratings may be exceeded if the input and output current ratings are observed.

6.2 ESD Ratings

| | | VALUE | UNIT |
|--------------------|-------------------------|--|------|
| V _(ESD) | Electrostatic discharge | Human-body model (HBM), per ANSI/ESDA/JEDEC JS-001 ⁽¹⁾ | V |
| | | Charged-device model (CDM), per JEDEC specification JESD22-C101 ⁽²⁾ | |

- (1) JEDEC document JEP155 states that 500-V HBM allows safe manufacturing with a standard ESD control process.
- (2) JEDEC document JEP157 states that 250-V CDM allows safe manufacturing with a standard ESD control process.

6.3 Recommended Operating Conditions

See ⁽¹⁾

| | | MIN | MAX | UNIT |
|-----------------|--------------------------------|--------------|-----------------------|-----------------------|
| V _{CC} | Supply voltage | 2.3 | 5.5 | V |
| V _{IH} | High-level input voltage | SCL, SDA | 0.7 × V _{CC} | 6 |
| | | A2–A0, RESET | 0.7 × V _{CC} | V _{CC} + 0.5 |
| V _{IL} | Low-level input voltage | SCL, SDA | -0.5 | 0.3 × V _{CC} |
| | | A2–A0, RESET | -0.5 | 0.3 × V _{CC} |
| T _A | Operating free-air temperature | -40 | 85 | °C |

- (1) All unused inputs of the device must be held at V_{CC} or GND to ensure proper device operation. Refer to the TI application report, *Implications of Slow or Floating CMOS Inputs*, SCBA004.

6.4 Thermal Information

| THERMAL METRIC ⁽¹⁾ | | PCA9546A | | | | | | UNIT |
|-------------------------------|--|----------|---------|---------|---------|---------|---------|------|
| | | DGV | DW | PW | RGV | RGY | D | |
| | | 16 PINS | 16 PINS | 16 PINS | 16 PINS | 16 PINS | 16 PINS | |
| R _{θJA} | Junction-to-ambient thermal resistance | 120 | 57 | 122.3 | 63.2 | 50 | 92.3 | °C/W |

- (1) For more information about traditional and new thermal metrics, see the [Semiconductor and IC package thermal metrics application report](#).

6.5 Electrical Characteristics

over recommended operating free-air temperature range (unless otherwise noted)

| PARAMETER | | TEST CONDITIONS | | V _{CC} | MIN | TYP ⁽¹⁾ | MAX | UNIT |
|-------------------------------------|--|--|---|-------------------------|----------------|--------------------|-----|------|
| V _{PORR} | Power-on reset voltage, V _{CC} rising | No load, | V _I = V _{CC} or GND | | | 1.2 | 1.5 | V |
| V _{PORF} | Power-on reset voltage, V _{CC} falling ⁽²⁾ | No load, | V _I = V _{CC} or GND | | 0.8 | 1 | | V |
| V _{pass} | Switch output voltage | V _{SWin} = V _{CC} , | I _{SWout} = -100 μA | 5 V | | 3.6 | | V |
| | | | | 4.5 V to 5.5 V | 2.6 | 4.5 | | |
| | | | | 3.3 V | | 1.9 | | |
| | | | | 3 V to 3.6 V | 1.6 | 2.8 | | |
| | | | | 2.5 V | | 1.5 | | |
| | | | | 2.3 V to 2.7 V | 1.1 | 2 | | |
| I _{OL} | SCL, SDA | | | V _{OL} = 0.4 V | 2.3 V to 5.5 V | 3 | 7 | mA |
| | | | | V _{OL} = 0.6 V | | 6 | 10 | |
| I _I | SCL, SDA | V _I = V _{CC} or GND | | 2.3 V to 5.5 V | | | ±1 | μA |
| | SC3–SC0, SD3–SD0 | | | | | ±1 | | |
| | A2–A0 | | | | | ±1 | | |
| | RESET ⁽⁴⁾ | | | | | ±1 | | |
| I _{CC} | Operating mode | f _{SCL} = 100 kHz | V _I = V _{CC} or GND, I _O = 0 | 5.5 V | | 3 | 12 | μA |
| | | | | 3.6 V | | 3 | 11 | |
| | | | | 2.7 V | | 3 | 10 | |
| | Standby mode | Low inputs | V _I = GND, I _O = 0 | 5.5 V | | 1.6 | 2 | |
| | | | | 3.6 V | | 1 | 1.3 | |
| | | | | 2.7 V | | 0.7 | 1.1 | |
| | | High inputs | V _I = V _{CC} , I _O = 0 | 5.5 V | | 1.6 | 2 | |
| | | | | 3.6 V | | 1 | 1.3 | |
| | | | | 2.7 V | | 0.7 | 1.1 | |
| ΔI _{CC} | Supply-current change | SCL, SDA | SCL or SDA input at 0.6 V, Other inputs at V _{CC} or GND | | | 8 | 15 | μA |
| | | | SCL or SDA input at V _{CC} - 0.6 V, Other inputs at V _{CC} or GND | 2.3 V to 5.5 V | | 8 | 15 | |
| C _i | A2–A0 | V _I = V _{CC} or GND | | 2.3 V to 5.5 V | | 4.5 | 6 | pF |
| | RESET | | | | | 4.5 | 5.5 | |
| C _{io(OFF)} ⁽³⁾ | SCL, SDA | V _I = V _{CC} or GND, | Switch OFF | 2.3 V to 5.5 V | | 15 | 19 | pF |
| | SC3–SC0, SD3–SD0 | | | | | 6 | 8 | |
| R _{ON} | Switch on-state resistance | V _O = 0.4 V, | I _O = 15 mA | 4.5 V to 5.5 V | 4 | 10 | 16 | Ω |
| | | | I _O = 10 mA | 3 V to 3.6 V | 5 | 13 | 20 | |
| | | | | 2.3 V to 2.7 V | 7 | 16 | 45 | |

(1) All typical values are at nominal supply voltage (2.5-V, 3.3-V, or 5-V V_{CC}), T_A = 25°C.

(2) The power-on reset circuit resets the I2C bus logic with V_{CC} < V_{PORF}.

(3) C_{io(ON)} depends on internal capacitance and external capacitance added to the SCn lines when channel(s) are ON.

(4) RESET = V_{CC} (held high) when all other input voltages, V_I = GND.

6.6 I²C Interface Timing Requirements

over recommended operating free-air temperature range (unless otherwise noted) (see [Figure 7-1](#))

| | | MIN | MAX | UNIT |
|---|--|--|------|------|
| I²C BUS—STANDARD MODE | | | | |
| f _{scl} | I ² C clock frequency | 0 | 100 | kHz |
| t _{sch} | I ² C clock high time | 4 | | μs |
| t _{scl} | I ² C clock low time | 4.7 | | μs |
| t _{sp} | I ² C spike time | | 50 | ns |
| t _{sds} | I ² C serial-data setup time | 250 | | ns |
| t _{sdh} | I ² C serial-data hold time | 0 ⁽¹⁾ | | ns |
| t _{icr} | I ² C input rise time | | 1000 | ns |
| t _{icf} | I ² C input fall time | | 300 | ns |
| t _{ocf} | I ² C output fall time | 10-pF to 400-pF bus | 300 | ns |
| t _{buf} | I ² C bus free time between stop and start | 4.7 | | μs |
| t _{sts} | I ² C start or repeated start condition setup | 4.7 | | μs |
| t _{sth} | I ² C start or repeated start condition hold | 4 | | μs |
| t _{sps} | I ² C stop condition setup | 4 | | μs |
| t _{vdL(Data)} | Valid data time (high to low) ⁽²⁾ | SCL low to SDA output low valid | 1 | μs |
| t _{vdH(Data)} | Valid data time (low to high) ⁽²⁾ | SCL low to SDA output high valid | 0.6 | μs |
| t _{vd(ack)} | Valid data time of ACK condition | ACK signal from SCL low to SDA (out) low | 1 | μs |
| C _b | I ² C bus capacitive load | | 400 | pF |

(1) A device internally must provide a hold time of at least 300 ns for the SDA signal (referred to the V_{IH} min of the SCL signal), in order to bridge the undefined region of the falling edge of SCL.

(2) Data taken using a 1-kΩ pull-up resistor and 50-pF load (see [Figure 7-1](#))

| | | MIN | MAX | UNIT |
|-------------------------------------|--|--|---------------------------------------|------|
| I²C BUS—FAST MODE | | | | |
| f _{scl} | I ² C clock frequency | 0 | 400 | kHz |
| t _{sch} | I ² C clock high time | 0.6 | | μs |
| t _{scl} | I ² C clock low time | 1.3 | | μs |
| t _{sp} | I ² C spike time | | 50 | ns |
| t _{sds} | I ² C serial-data setup time | 100 | | ns |
| t _{sdh} | I ² C serial-data hold time | 0 ⁽¹⁾ | | ns |
| t _{icr} | I ² C input rise time | 20 + 0.1C _b ⁽²⁾ | 300 | ns |
| t _{icf} | I ² C input fall time | 20 + 0.1C _b ⁽²⁾ | 300 | ns |
| t _{ocf} | I ² C output fall time | 10-pF to 400-pF bus | 20 + 0.1C _b ⁽²⁾ | ns |
| t _{buf} | I ² C bus free time between stop and start | 1.3 | | μs |
| t _{sts} | I ² C start or repeated start condition setup | 0.6 | | μs |
| t _{sth} | I ² C start or repeated start condition hold | 0.6 | | μs |
| t _{sps} | I ² C stop condition setup | 0.6 | | μs |
| t _{vdL(Data)} | Valid data time (high to low) ⁽³⁾ | SCL low to SDA output low valid | 1 | μs |
| t _{vdH(Data)} | Valid data time (low to high) ⁽³⁾ | SCL low to SDA output high valid | 0.6 | μs |
| t _{vd(ack)} | Valid data time of ACK condition | ACK signal from SCL low to SDA (out) low | 1 | μs |
| C _b | I ² C bus capacitive load | | 400 | pF |

(1) A device internally must provide a hold time of at least 300 ns for the SDA signal (referred to the V_{IH} min of the SCL signal), in order to bridge the undefined region of the falling edge of SCL.

(2) C_b = total bus capacitance of one bus line in pF

(3) Data taken using a 1-kΩ pull-up resistor and 50-pF load (see [Figure 7-1](#))

6.7 Interrupt and Reset Timing Requirements

over recommended operating free-air temperature range (unless otherwise noted)

| PARAMETER | | MIN | MAX | UNIT |
|-----------------|-----------------------------------|-----|-----|------|
| t_{WL} | Pulse duration, RESET low | 6 | | ns |
| $t_{rst}^{(1)}$ | RESET time (SDA clear) | | 500 | ns |
| $t_{REC(STA)}$ | Recovery time from RESET to start | 0 | | ns |

- (1) t_{rst} is the propagation delay measured from the time the RESET pin is first asserted low to the time the SDA pin is asserted high, signaling a stop condition. It must be a minimum of t_{WL} .

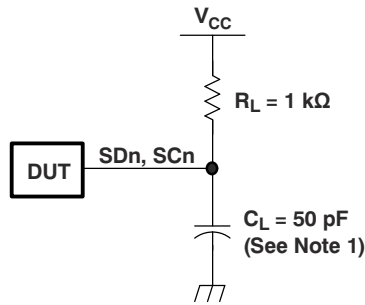
6.8 Switching Characteristics

over recommended operating free-air temperature range, $C_L \leq 100$ pF (unless otherwise noted) (see [Figure 7-1](#))

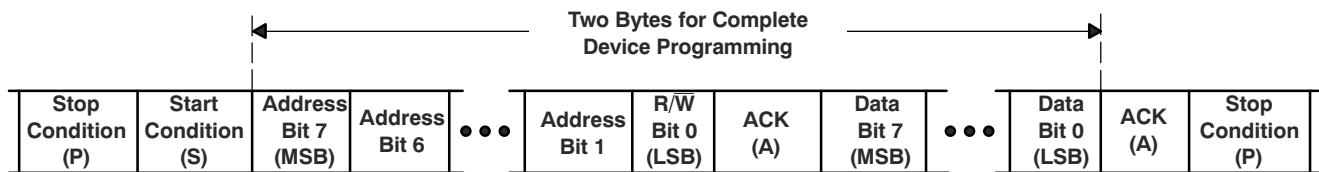
| PARAMETER | | FROM (INPUT) | TO (OUTPUT) | MIN | MAX | UNIT |
|----------------|------------------------|-----------------|----------------|-----|-----|------|
| $t_{pd}^{(1)}$ | Propagation delay time | SDA or SCL | SDn or SCn | | 0.3 | ns |
| | | | | | 1 | |

- (1) The propagation delay is the calculated RC time constant of the typical ON-state resistance of the switch and the specified load capacitance, when driven by an ideal voltage source (zero output impedance).

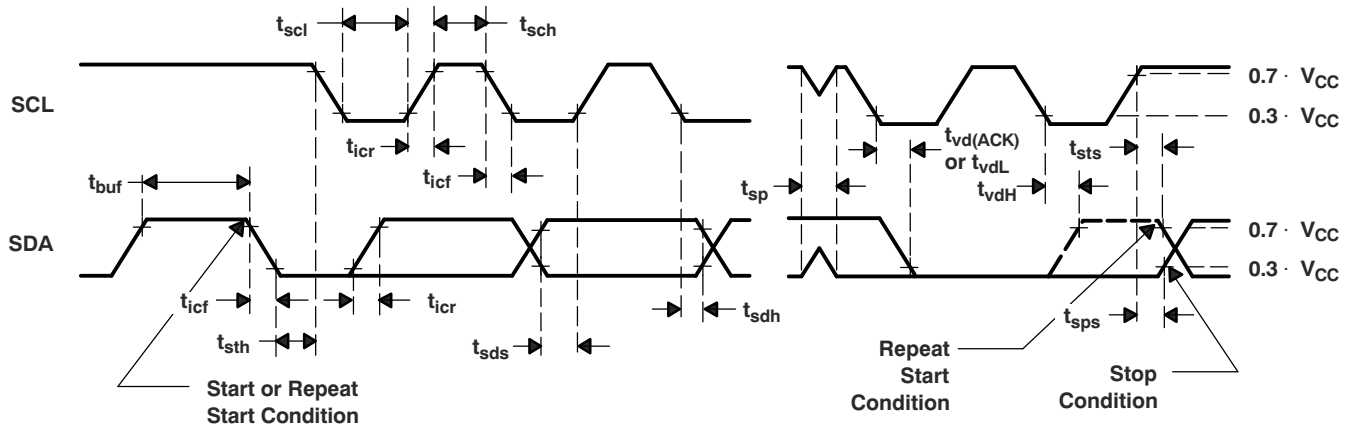
7 Parameter Measurement Information



Copyright © 2016, Texas Instruments Incorporated
I²C PORT LOAD CONFIGURATION



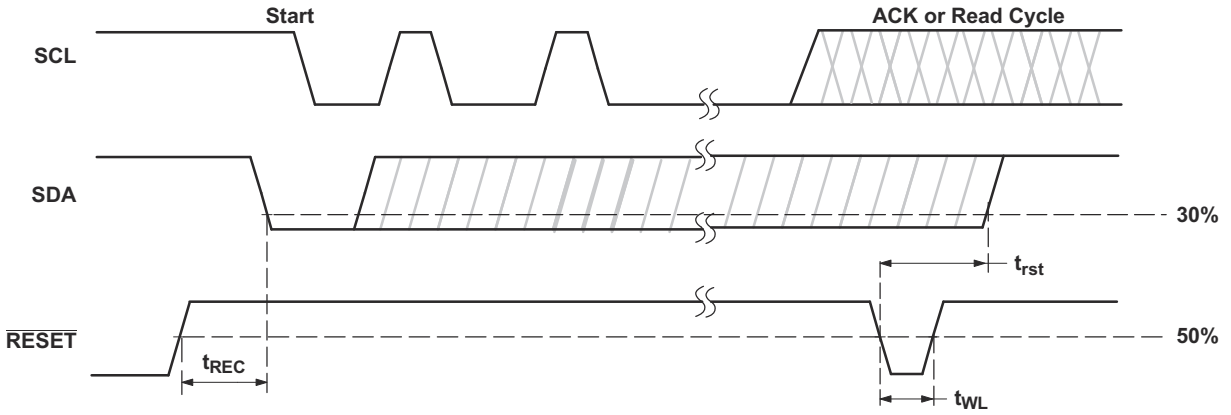
| BYTE | DESCRIPTION |
|------|--------------------------------|
| 1 | I ² C address + R/W |
| 2 | Control register data |



VOLTAGE WAVEFORMS

- A. C_L includes probe and jig capacitance.
- B. All input pulses are supplied by generators having the following characteristics: $PRR \leq 10$ MHz, $Z_O = 50 \Omega$, $t_r/t_f \leq 30$ ns.
- C. The outputs are measured one at a time, with one transition per measurement.

7-1. I²C Interface Load Circuit, Byte Descriptions, and Voltage Waveforms



7-2. Reset Timing

8 Detailed Description

8.1 Overview

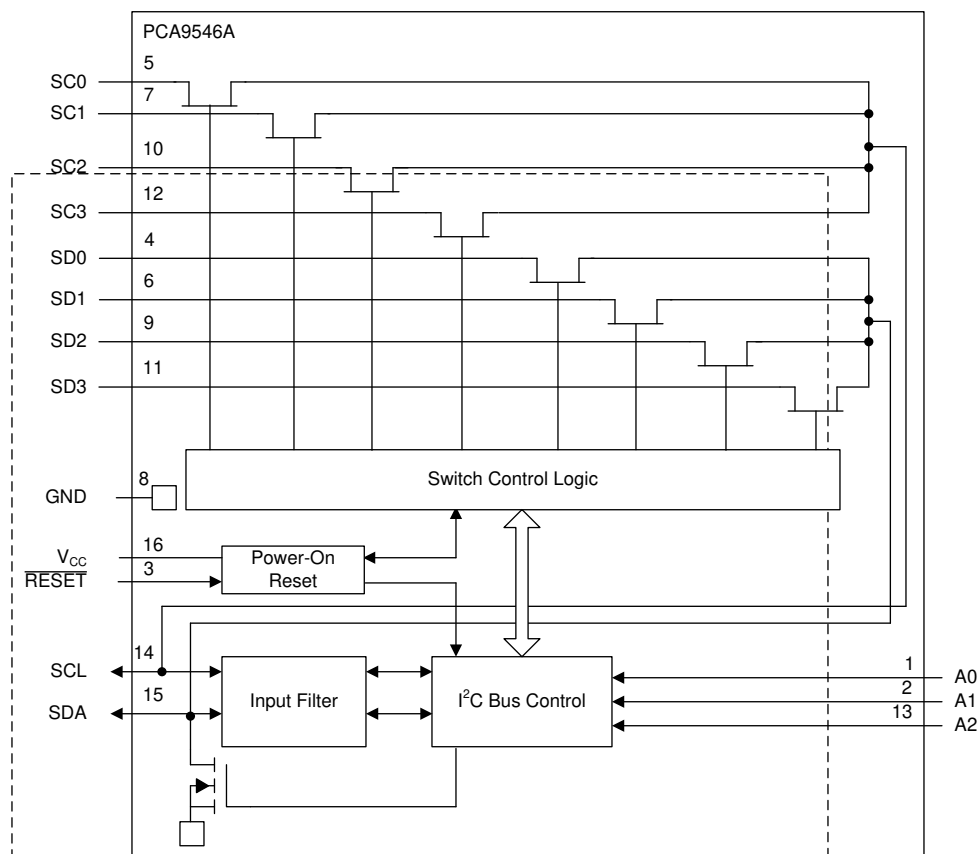
The PCA9546A is a 4-channel, bidirectional translating I²C switch. The master SCL/SDA signal pair is directed to four channels of slave devices, SC0/SD0-SC3/SD3. Any individual downstream channel can be selected as well as any combination of the four channels.

The device offers an active-low $\overline{\text{RESET}}$ input which resets the state machine and allows the PCA9546A to recover should one of the downstream I²C buses get stuck in a low state. The state machine of the device can also be reset by cycling the power supply, V_{CC} , also known as a power-on reset (POR). Both the $\overline{\text{RESET}}$ function and a POR will cause all channels to be deselected.

The connections of the I²C data path are controlled by the same I²C master device that is switched to communicate with multiple I²C slaves. After the successful acknowledgment of the slave address (hardware selectable by A0 and A1 pins), a single 8-bit control register is written to or read from to determine the selected channels.

The PCA9546A may also be used for voltage translation, allowing the use of different bus voltages on each SC_n/SD_n pair such that 1.8-V, 2.5-V, or 3.3-V parts can communicate with 5-V parts. This is achieved by using external pull-up resistors to pull the bus up to the desired voltage for the master and each slave channel.

8.2 Functional Block Diagram



Copyright © 2016, Texas Instruments Incorporated

8.3 Feature Description

The PCA9546A is a 4-channel, bidirectional translating switch for I²C buses that supports Standard-Mode (100 kHz) and Fast-Mode (400 kHz) operation. The PCA9546A features I²C control using a single 8-bit control register in which the four least significant bits control the enabling and disabling of the 4 switch channels of I²C data flow. Depending on the application, voltage translation of the I²C bus can also be achieved using the PCA9546A to allow 1.8-V, 2.5-V, or 3.3-V parts to communicate with 5-V parts. Additionally, in the event that communication on the I²C bus enters a fault state, the PCA9546A can be reset to resume normal operation using the $\overline{\text{RESET}}$ pin feature or by a power-on reset which results from cycling power to the device.

8.4 Device Functional Modes

8.4.1 $\overline{\text{RESET}}$ Input

The $\overline{\text{RESET}}$ input is an active-low signal that may be used to recover from a bus-fault condition. When this signal is asserted low for a minimum of t_{WL} , the PCA9546A resets its registers and I²C state machine and deselects all channels. The $\overline{\text{RESET}}$ input must be connected to V_{CC} through a pull-up resistor.

8.4.1.1 $\overline{\text{RESET}}$ Errata

If $\overline{\text{RESET}}$ voltage set higher than V_{CC} , current will flow from $\overline{\text{RESET}}$ pin to V_{CC} pin.

System Impact

V_{CC} will be pulled above its regular voltage level

System Workaround

Design such that $\overline{\text{RESET}}$ voltage is same or lower than V_{CC}

8.4.2 Power-On Reset

When power is applied to V_{CC} , an internal power-on reset holds the PCA9546A in a reset condition until V_{CC} has reached V_{POR} . At this point, the reset condition is released, and the PCA9546A registers and I²C state machine are initialized to their default states, all zeroes, causing all the channels to be deselected. Thereafter, V_{CC} must be lowered below V_{POR} to reset the device.

8.5 Programming

8.5.1 I²C Interface

The I²C bus is for two-way two-line communication between different ICs or modules. The two lines are a serial data line (SDA) and a serial clock line (SCL). Both lines must be connected to a positive supply via a pull-up resistor when connected to the output stages of a device. Data transfer can be initiated only when the bus is not busy.

One data bit is transferred during each clock pulse. The data on the SDA line must remain stable during the high period of the clock pulse, as changes in the data line at this time are interpreted as control signals (see [Figure 8-1](#)).

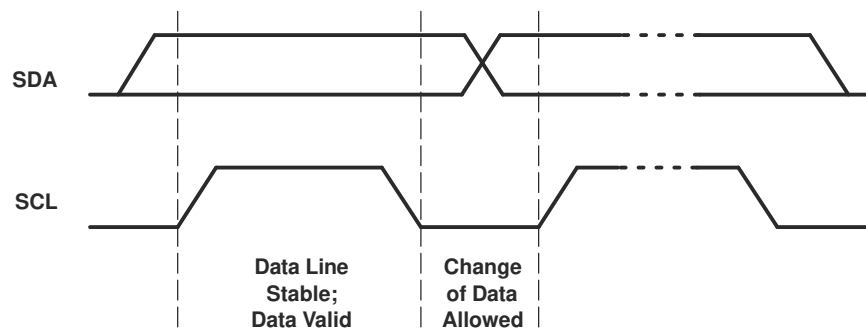


Figure 8-1. Bit Transfer

Both data and clock lines remain high when the bus is not busy. A high-to-low transition of the data line while the clock is high is defined as the start condition (S). A low-to-high transition of the data line while the clock is high is defined as the stop condition (P) (see [Figure 8-2](#)).

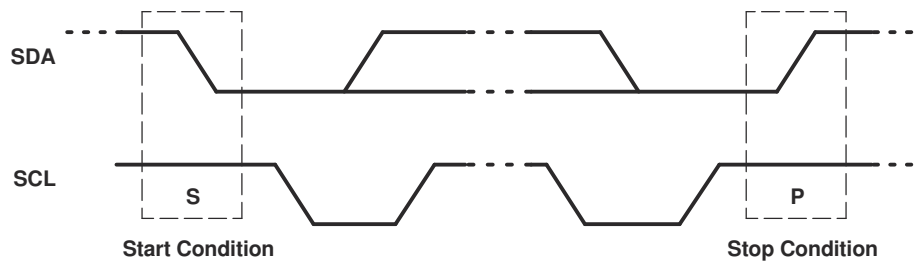


Figure 8-2. Definition of Start and Stop Conditions

A device generating a message is a transmitter; a device receiving is the receiver. The device that controls the message is the master, and the devices that are controlled by the master are the slaves (see [Figure 8-3](#)).

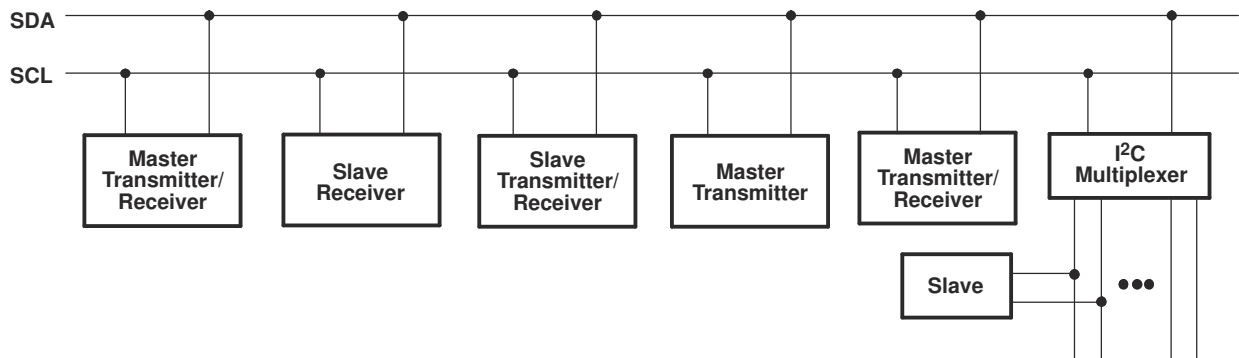
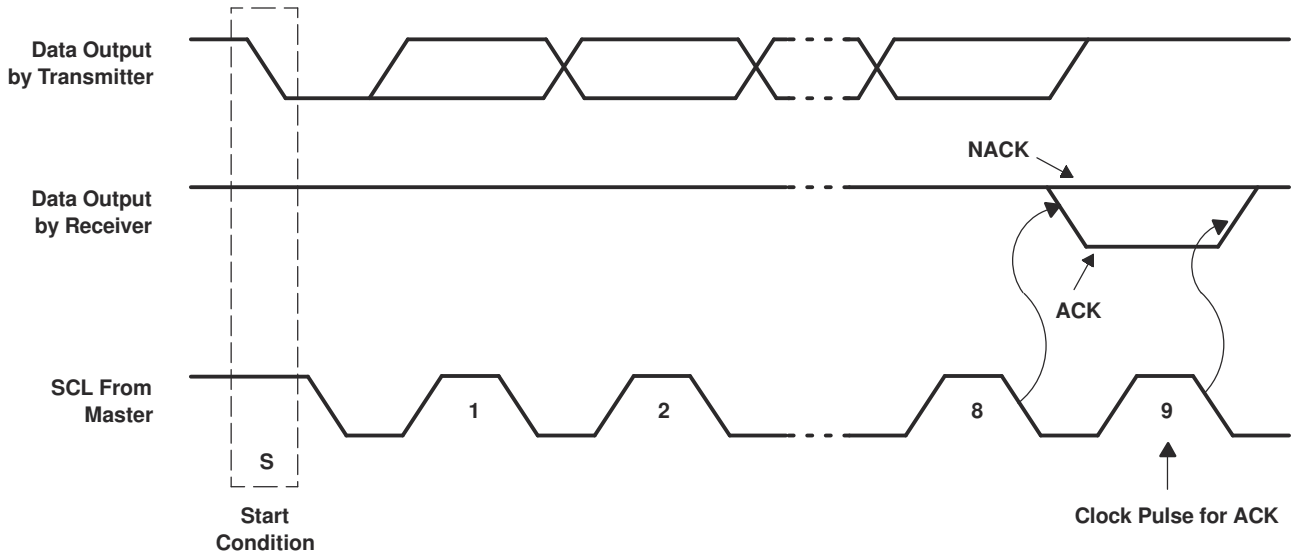


Figure 8-3. System Configuration

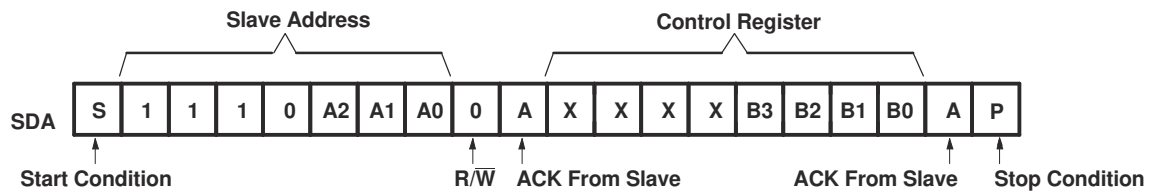
The number of data bytes transferred between the start and the stop conditions from transmitter to receiver is not limited. Each byte of eight bits is followed by one acknowledge (ACK) bit. The transmitter must release the SDA line before the receiver can send an ACK bit.

When a slave receiver is addressed, it must generate an ACK after the reception of each byte. Also, a master must generate an ACK after the reception of each byte that has been clocked out of the slave transmitter. The device that acknowledges must pull down the SDA line during the ACK clock pulse so that the SDA line is stable low during the high pulse of the ACK-related clock period (see [Figure 8-4](#)). Setup and hold times must be taken into account.



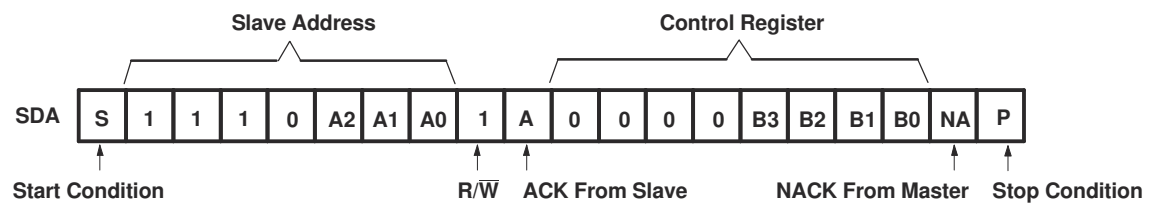
8-4. Acknowledgment on the I²C Bus

Data is transmitted to the PCA9546A control register using the write mode shown in 8-5.



8-5. Write Control Register

Data is read from the PCA9546A control register using the read mode shown in 8-6.



8-6. Read Control Register

8.6 Control Register

8.6.1 Device Address

Following a start condition, the bus master must output the address of the slave it is accessing. The address of the PCA9546A is shown in [Figure 8-7](#). To conserve power, no internal pull-up resistors are incorporated on the hardware-selectable address pins, and they must be pulled high or low.

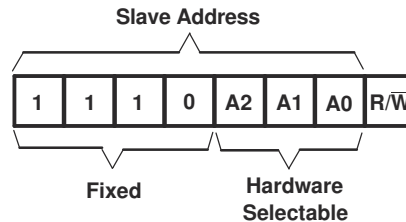


Figure 8-7. PCA9546A Address

The last bit of the slave address defines the operation to be performed. When set to a logic 1, a read is selected, while a logic 0 selects a write operation.

8.6.2 Control Register Description

Following the successful acknowledgment of the slave address, the bus master sends a byte to the PCA9546A, which is stored in the control register (see [Figure 8-8](#)). If multiple bytes are received by the PCA9546A, it will save the last byte received. This register can be written and read via the I²C bus.

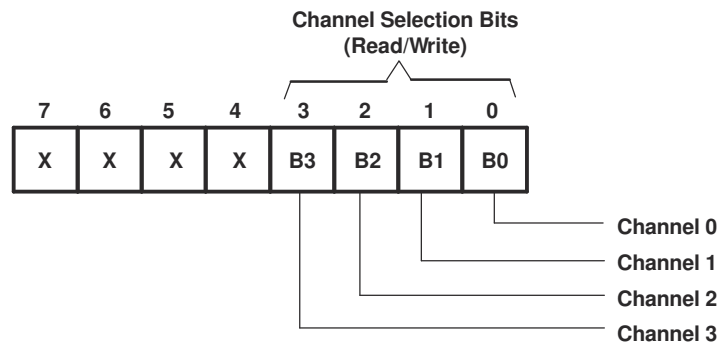


Figure 8-8. Control Register

8.6.3 Control Register Definition

One or several SCn/SDn downstream pairs, or channels, are selected by the contents of the control register (see [Table 8-1](#)). This register is written after the PCA9546A has been addressed. The four LSBs of the control byte are used to determine which channel or channels are to be selected. When a channel is selected, the channel becomes active after a stop condition has been placed on the I²C bus. This ensures that all SCn/SDn lines are in a high state when the channel is made active, so that no false conditions are generated at the time of connection. A stop condition always must occur right after the acknowledge cycle.

表 8-1. Control Register Write (Channel Selection), Control Register Read (Channel Status)⁽¹⁾

| B7 | B6 | B5 | B4 | B3 | B2 | B1 | B0 | COMMAND |
|----|----|----|----|----|----|----|----|--|
| X | X | X | X | X | X | X | 0 | Channel 0 disabled |
| | | | | | | | 1 | Channel 0 enabled |
| X | X | X | X | X | X | X | 0 | Channel 1 disabled |
| | | | | | | | 1 | Channel 1 enabled |
| X | X | X | X | X | 0 | X | X | Channel 2 disabled |
| | | | | | 1 | | | Channel 2 enabled |
| X | X | X | X | 0 | X | X | X | Channel 3 disabled |
| | | | | 1 | | | | Channel 3 enabled |
| 0 | 0 | 0 | 0 | 0 | 0 | 0 | 0 | No channel selected, power-up/reset default state |

- (1) Several channels can be enabled at the same time. For example, B3 = 0, B2 = 1, B1 = 1, B0 = 0 means that channels 0 and 3 are disabled, and channels 1 and 2 are enabled. Care must be taken not to exceed the maximum bus capacity.

9 Application Information Disclaimer

注

以下のアプリケーション情報は、TI の製品仕様に含まれるものではなく、TI ではその正確性または完全性を保証いたしません。個々の目的に対する製品の適合性については、お客様の責任で判断していただくこととなります。お客様は自身の設計実装を検証しテストすることで、システムの機能を確認する必要があります。

9.1 Application Information

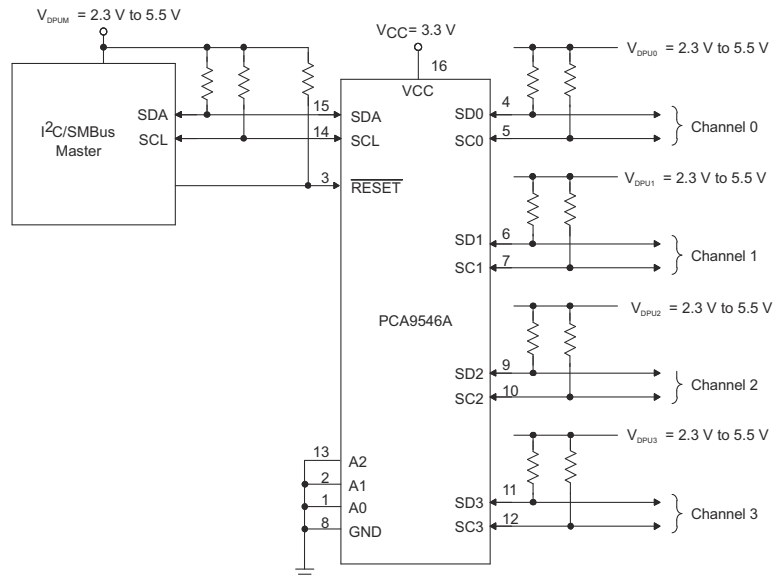
Applications of the PCA9546A will contain an I²C (or SMBus) master device and up to four I²C slave devices. The downstream channels are ideally used to resolve I²C slave address conflicts. For example, if four identical digital temperature sensors are needed in the application, one sensor can be connected at each channel: 0, 1, 2, and 3. When the temperature at a specific location must be read, the appropriate channel can be enabled and all other channels switched off, the data can be retrieved, and the I²C master can move on and read the next channel.

In an application where the I²C bus will contain many additional slave devices that do not result in I²C slave address conflicts, these slave devices can be connected to any desired channel to distribute the total bus capacitance across multiple channels. If multiple switches will be enabled simultaneously, additional design requirements must be considered (See [Design Requirements](#) and [Detailed Design Procedure](#)).

9.2 Typical Application

A typical application of the PCA9546A will contain anywhere from 1 to 5 separate data pull-up voltages, V_{DPUX} , one for the master device (V_{DPU0}) and one for each of the selectable slave channels ($V_{DPU0} - V_{DPU3}$). In the event where the master device and all slave devices operate at the same voltage, then the pass voltage, $V_{PASS} = V_{DPUX}$. Once the maximum V_{PASS} is known, V_{CC} can be selected easily using [Figure 9-2](#). In an application where voltage translation is necessary, additional design requirements must be considered (See [Design Requirements](#)).

[Figure 9-1](#) shows an application in which the PCA9546A can be used.



Copyright © 2016, Texas Instruments Incorporated

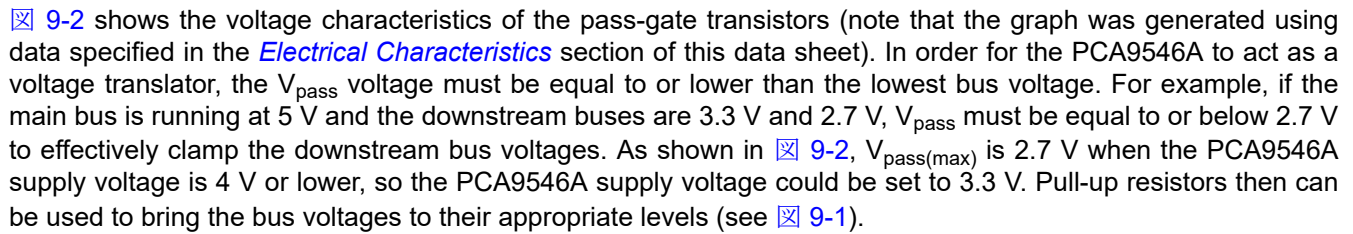
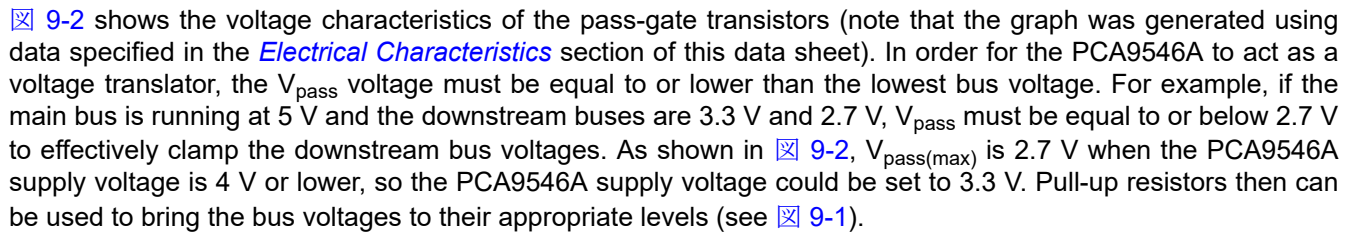
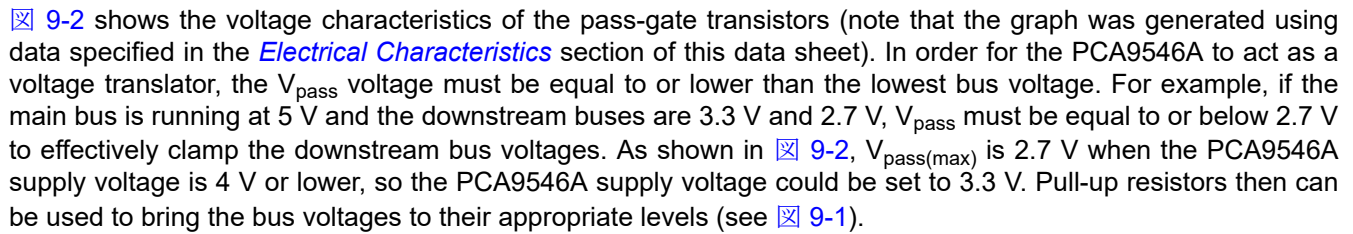
Figure 9-1. PCA9546A Typical Application Schematic

9.2.1 Design Requirements

The A0, A1, and A2 pins are hardware selectable to control the slave address of the PCA9546A. These pins may be tied directly to GND or V_{CC} in the application.

If multiple slave channels will be activated simultaneously in the application, then the total I_{OL} from SCL/SDA to GND on the master side will be the sum of the currents through all pull-up resistors, R_p .

The pass-gate transistors of the PCA9546A are constructed such that the V_{CC} voltage can be used to limit the maximum voltage that is passed from one I²C bus to another.


 Figure 9-2 shows the voltage characteristics of the pass-gate transistors (note that the graph was generated using data specified in the [Electrical Characteristics](#) section of this data sheet). In order for the PCA9546A to act as a voltage translator, the V_{pass} voltage must be equal to or lower than the lowest bus voltage. For example, if the main bus is running at 5 V and the downstream buses are 3.3 V and 2.7 V, V_{pass} must be equal to or below 2.7 V to effectively clamp the downstream bus voltages. As shown in , $V_{pass(max)}$ is 2.7 V when the PCA9546A supply voltage is 4 V or lower, so the PCA9546A supply voltage could be set to 3.3 V. Pull-up resistors then can be used to bring the bus voltages to their appropriate levels (see ).

9.2.2 Detailed Design Procedure

Once all the slaves are assigned to the appropriate slave channels and bus voltages are identified, the pull-up resistors, R_p , for each of the buses need to be selected appropriately. The minimum pull-up resistance is a function of V_{DPUX} , $V_{OL(max)}$, and I_{OL} as shown in [式 1](#):

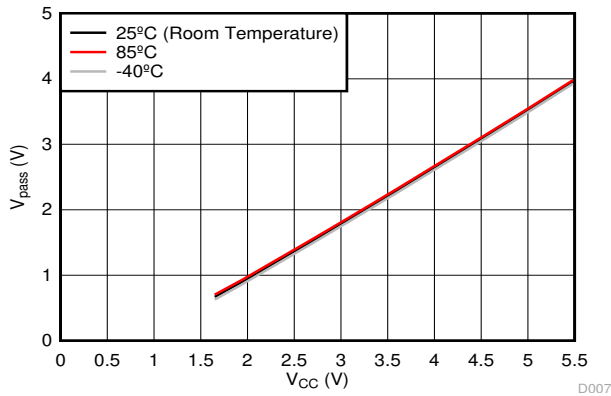
$$R_{p(min)} = \frac{V_{DPUX} - V_{OL(max)}}{I_{OL}} \quad (1)$$

The maximum pull-up resistance is a function of the maximum rise time, t_r (300 ns for fast-mode operation, $f_{SCL} = 400$ kHz) and bus capacitance, C_b as shown in [式 2](#):

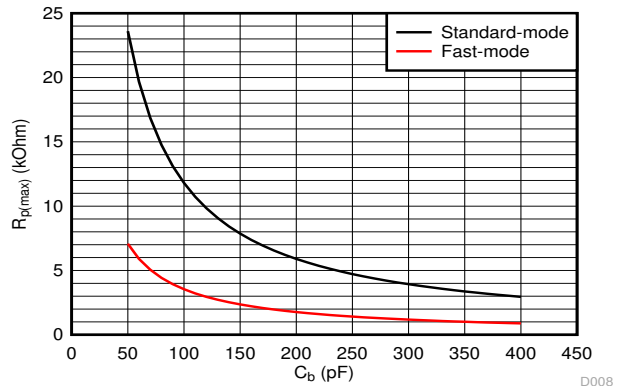
$$R_{p(max)} = \frac{t_r}{0.8473 \times C_b} \quad (2)$$

The maximum bus capacitance for an I²C bus must not exceed 400 pF for fast-mode operation. The bus capacitance can be approximated by adding the capacitance of the PCA9546A, $C_{iO(OFF)}$, the capacitance of wires/connections/traces, and the capacitance of each individual slave on a given channel. If multiple channels will be activated simultaneously, each of the slaves on all channels will contribute to total bus capacitance.

9.2.3 Application Curves

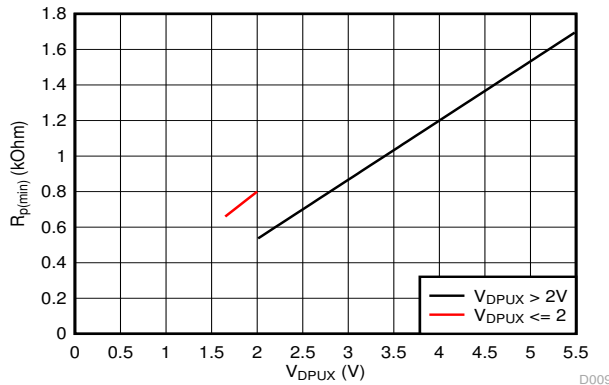


9-2. Pass-Gate Voltage (V_{pass}) vs Supply Voltage (V_{CC}) at Three Temperature Points



Standard-mode ($f_{SCL} = 100$ kHz, $t_r = 1$ μ s) Fast-mode ($f_{SCL} = 400$ kHz, $t_r = 300$ ns)

9-3. Maximum Pull-Up resistance ($R_{p(max)}$) vs Bus Capacitance (C_b)



$V_{OL} = 0.2 \cdot V_{DPUX}$, $I_{OL} = 2$ mA when $V_{DPUX} \leq 2$ V

$V_{OL} = 0.4$ V, $I_{OL} = 3$ mA when $V_{DPUX} > 2$ V

9-4. Minimum Pull-Up Resistance ($R_{p(min)}$) vs Pull-Up Reference Voltage (V_{DPUX})

10 Power Supply Recommendations

10.1 Power-On Reset Requirements

In the event of a glitch or data corruption, PCA9546A can be reset to its default conditions by using the power-on reset feature. Power-on reset requires that the device go through a power cycle to be completely reset. This reset also happens when the device is powered on for the first time in an application.

The two types of power-on reset are shown in [Figure 10-1](#) and [Figure 10-2](#).

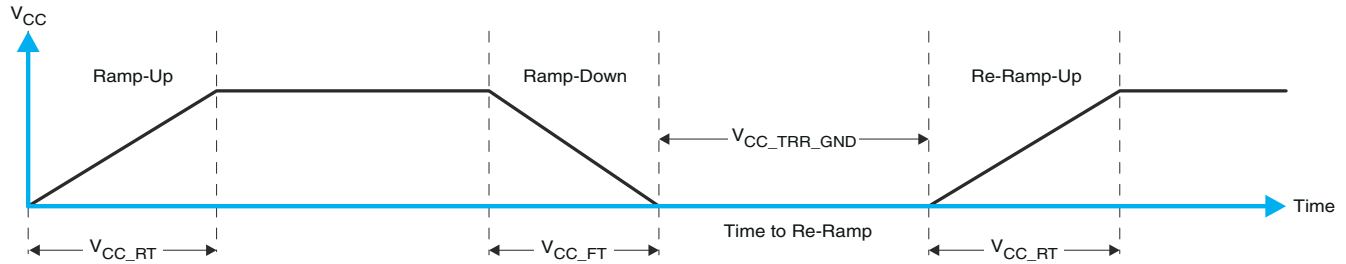


Figure 10-1. V_{CC} Is Lowered Below 0.2 V or 0 V and Then Ramped Up To V_{CC}

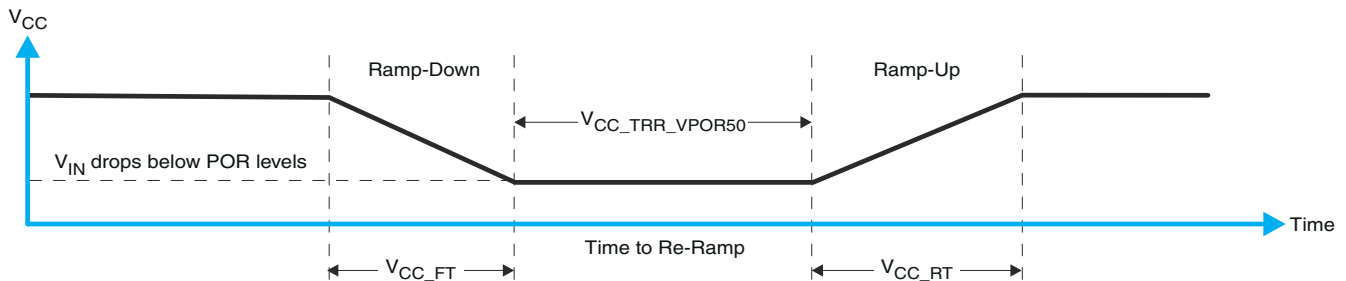


Figure 10-2. V_{CC} Is Lowered Below The Por Threshold, Then Ramped Back Up To V_{CC}

[Table 10-1](#) specifies the performance of the power-on reset feature for PCA9546A for both types of power-on reset.

Table 10-1. Recommended Supply Sequencing And Ramp Rates⁽¹⁾

| PARAMETER | | | MIN | TYP | MAX | UNIT |
|---------------------------|---|---------------------------------|-------|-----|-------|------|
| V _{CC_FT} | Fall rate | See Figure 10-1 | 1 | | 100 | ms |
| V _{CC_RT} | Rise rate | See Figure 10-1 | 0.01 | | 100 | ms |
| V _{CC_TRR_GND} | Time to re-ramp (when V _{CC} drops to GND) | See Figure 10-1 | 0.001 | | | ms |
| V _{CC_TRR_POR50} | Time to re-ramp (when V _{CC} drops to V _{POR_MIN} – 50 mV) | See Figure 10-2 | 0.001 | | | ms |
| V _{CC_GH} | Level that V _{CCP} can glitch down to, but not cause a functional disruption when V _{CCX_GW} = 1 μs | See Figure 10-3 | | | 1.2 | V |
| V _{CC_GW} | Glitch width that will not cause a functional disruption when V _{CCX_GH} = 0.5 × V _{CCX} | See Figure 10-3 | | | | μs |
| V _{PORF} | Voltage trip point of POR on falling V _{CC} | | 0.767 | | 1.144 | V |
| V _{PORR} | Voltage trip point of POR on rising V _{CC} | | 1.033 | | 1.428 | V |

(1) T_A = –40°C to 85°C (unless otherwise noted)

Glitches in the power supply can also affect the power-on reset performance of this device. The glitch width (V_{CC_GW}) and height (V_{CC_GH}) are dependent on each other. The bypass capacitance, source impedance, and the device impedance are factors that affect power-on reset performance. [Figure 10-3](#) and [Table 10-1](#) provide more information on how to measure these specifications.

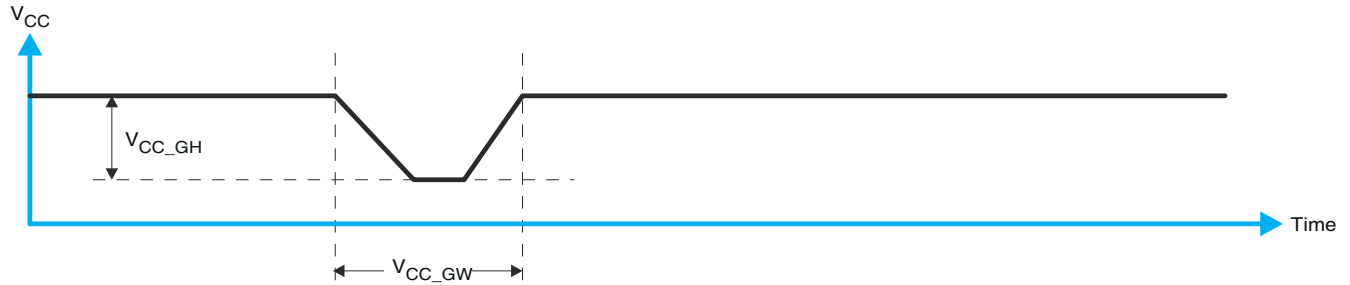


图 10-3. Glitch Width And Glitch Height

V_{POR} is critical to the power-on reset. V_{POR} is the voltage level at which the reset condition is released and all the registers and the I²C/SMBus state machine are initialized to their default states. The value of V_{POR} differs based on the V_{CC} being lowered to or from 0. 图 10-4 和 表 10-1 provide more details on this specification.

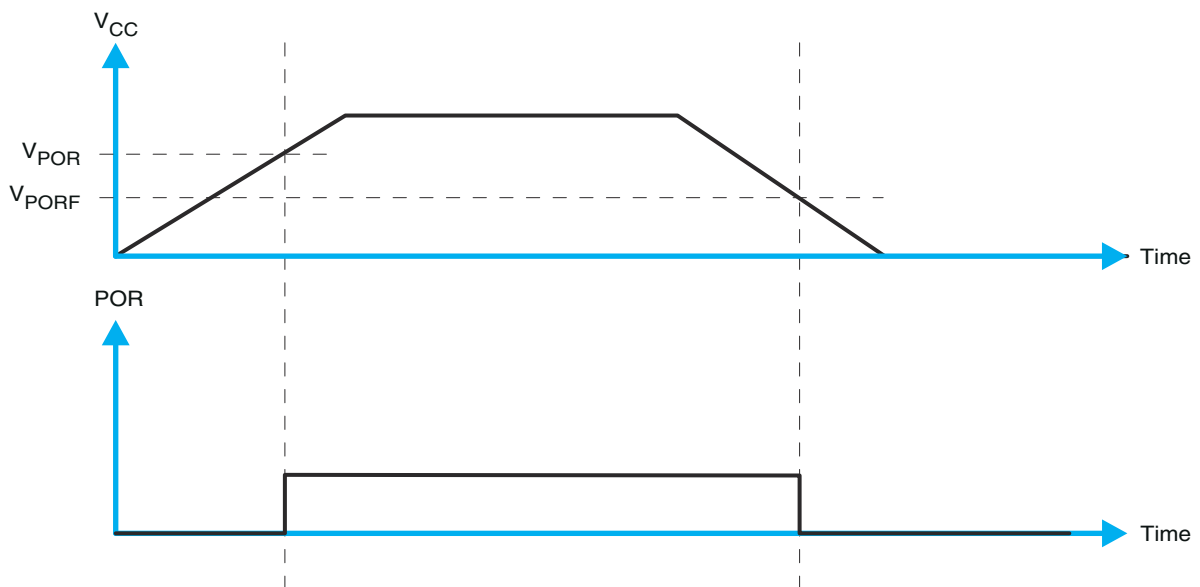


图 10-4. V_{POR}

11 Layout

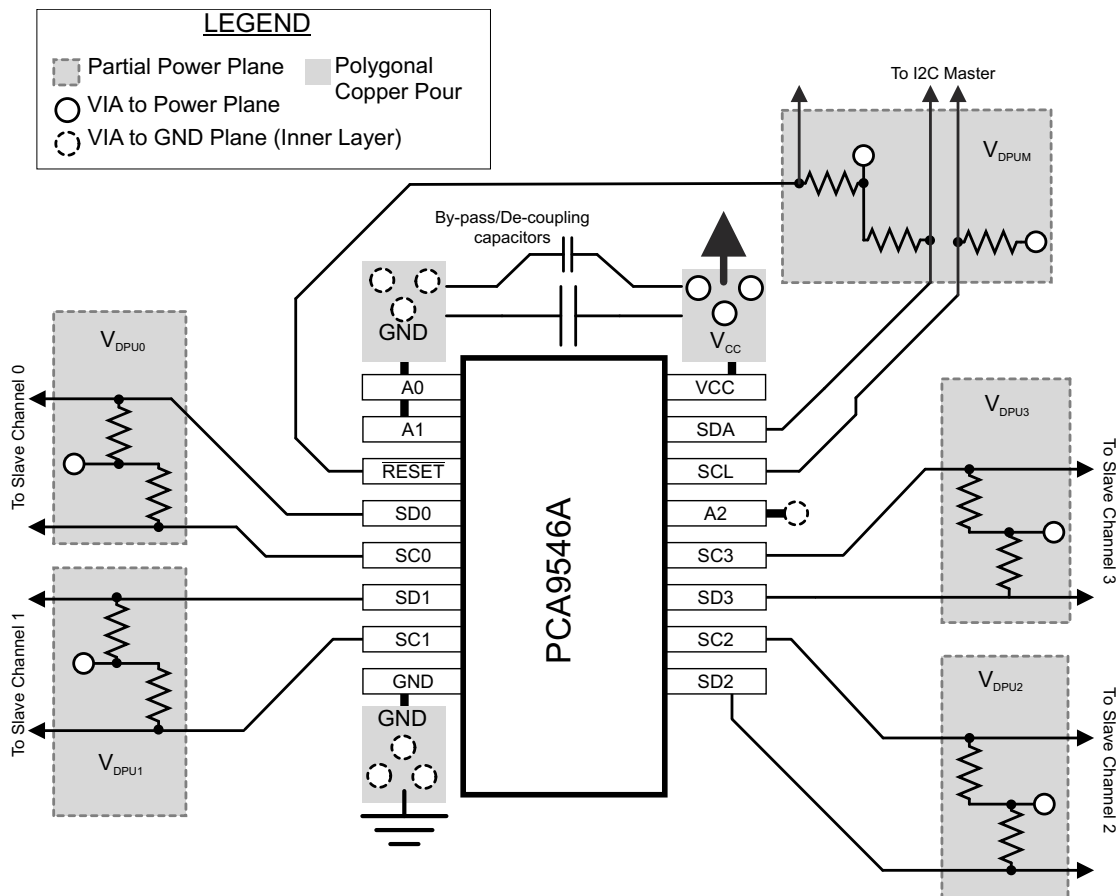
11.1 Layout Guidelines

For PCB layout of the PCA9546A, common PCB layout practices must be followed but additional concerns related to high-speed data transfer such as matched impedances and differential pairs are not a concern for I²C signal speeds. It is common to have a dedicated ground plane on an inner layer of the board and pins that are connected to ground must have a low-impedance path to the ground plane in the form of wide polygon pours and multiple vias. By-pass and de-coupling capacitors are commonly used to control the voltage on the V_{CC} pin, using a larger capacitor to provide additional power in the event of a short power supply glitch and a smaller capacitor to filter out high-frequency ripple.

In an application where voltage translation is not required, all V_{DPUX} voltages and V_{CC} could be at the same potential and a single copper plane could connect all of pull-up resistors to the appropriate reference voltage. In an application where voltage translation is required, V_{DPUM}, V_{DPU0}, V_{DPU1}, V_{DPU2}, and V_{DPU3} may all be on the same layer of the board with split planes to isolate different voltage potentials.

To reduce the total I²C bus capacitance added by PCB parasitics, data lines (SC_n and SD_n) must be as short as possible and the widths of the traces must also be minimized (e.g. 5-10 mils depending on copper weight).

11.2 Layout Example



12 Device and Documentation Support

12.1 Receiving Notification of Documentation Updates

To receive notification of documentation updates, navigate to the device product folder on [ti.com](https://www.ti.com). Click on *Subscribe to updates* to register and receive a weekly digest of any product information that has changed. For change details, review the revision history included in any revised document.

12.2 サポート・リソース

TI E2E™ サポート・フォーラムは、エンジニアが検証済みの回答と設計に関するヒントをエキスパートから迅速かつ直接得ることができる場所です。既存の回答を検索したり、独自の質問をしたりすることで、設計に必要な支援を迅速に得ることができます。

リンクされているコンテンツは、該当する貢献者により、現状のまま提供されるものです。これらは TI の仕様を構成するものではなく、必ずしも TI の見解を反映したものではありません。TI の [使用条件](#) を参照してください。

12.3 Trademarks

TI E2E™ is a trademark of Texas Instruments.

すべての商標は、それぞれの所有者に帰属します。

12.4 Electrostatic Discharge Caution



This integrated circuit can be damaged by ESD. Texas Instruments recommends that all integrated circuits be handled with appropriate precautions. Failure to observe proper handling and installation procedures can cause damage.

ESD damage can range from subtle performance degradation to complete device failure. Precision integrated circuits may be more susceptible to damage because very small parametric changes could cause the device not to meet its published specifications.

12.5 Glossary

[TI Glossary](#) This glossary lists and explains terms, acronyms, and definitions.

13 Mechanical, Packaging, and Orderable Information

The following pages include mechanical, packaging, and orderable information. This information is the most current data available for the designated devices. This data is subject to change without notice and revision of this document. For browser-based versions of this data sheet, refer to the left-hand navigation

PACKAGING INFORMATION

| Orderable Device | Status (1) | Package Type | Package Drawing | Pins | Package Qty | Eco Plan (2) | Lead finish/ Ball material (6) | MSL Peak Temp (3) | Op Temp (°C) | Device Marking (4/5) | Samples |
|------------------|---------------|--------------|-----------------|------|-------------|-----------------|--------------------------------------|----------------------|--------------|-------------------------|-------------------------|
| PCA9546ADGVR | NRND | TVSOP | DGV | 16 | 2000 | RoHS & Green | NIPDAU | Level-1-260C-UNLIM | -40 to 85 | PD546A | |
| PCA9546ADR | ACTIVE | SOIC | D | 16 | 2500 | RoHS & Green | NIPDAU | Level-1-260C-UNLIM | -40 to 85 | PCA9546A | Samples |
| PCA9546ADT | OBSOLETE | SOIC | D | 16 | | TBD | Call TI | Call TI | -40 to 85 | PCA9546A | |
| PCA9546ADW | NRND | SOIC | DW | 16 | 40 | RoHS & Green | NIPDAU | Level-1-260C-UNLIM | -40 to 85 | PCA9546A | |
| PCA9546ADWR | NRND | SOIC | DW | 16 | 2000 | RoHS & Green | NIPDAU | Level-1-260C-UNLIM | -40 to 85 | PCA9546A | |
| PCA9546APW | OBSOLETE | TSSOP | PW | 16 | | TBD | Call TI | Call TI | -40 to 85 | PD546A | |
| PCA9546APWR | ACTIVE | TSSOP | PW | 16 | 2000 | RoHS & Green | NIPDAU | Level-1-260C-UNLIM | -40 to 85 | PD546A | Samples |
| PCA9546APWRE4 | ACTIVE | TSSOP | PW | 16 | 2000 | RoHS & Green | NIPDAU | Level-1-260C-UNLIM | -40 to 85 | PD546A | Samples |
| PCA9546APWRG4 | ACTIVE | TSSOP | PW | 16 | 2000 | RoHS & Green | NIPDAU | Level-1-260C-UNLIM | -40 to 85 | PD546A | Samples |
| PCA9546APWT | OBSOLETE | TSSOP | PW | 16 | | TBD | Call TI | Call TI | -40 to 85 | PD546A | |
| PCA9546ARGVR | ACTIVE | VQFN | RGV | 16 | 2500 | RoHS & Green | NIPDAU | Level-2-260C-1 YEAR | -40 to 85 | PD546A | Samples |
| PCA9546ARGYR | NRND | VQFN | RGY | 16 | 3000 | RoHS & Green | NIPDAU | Level-2-260C-1 YEAR | -40 to 85 | PD546A | |

(1) The marketing status values are defined as follows:

ACTIVE: Product device recommended for new designs.

LIFEBUY: TI has announced that the device will be discontinued, and a lifetime-buy period is in effect.

NRND: Not recommended for new designs. Device is in production to support existing customers, but TI does not recommend using this part in a new design.

PREVIEW: Device has been announced but is not in production. Samples may or may not be available.

OBSOLETE: TI has discontinued the production of the device.

(2) **RoHS:** TI defines "RoHS" to mean semiconductor products that are compliant with the current EU RoHS requirements for all 10 RoHS substances, including the requirement that RoHS substance do not exceed 0.1% by weight in homogeneous materials. Where designed to be soldered at high temperatures, "RoHS" products are suitable for use in specified lead-free processes. TI may reference these types of products as "Pb-Free".

RoHS Exempt: TI defines "RoHS Exempt" to mean products that contain lead but are compliant with EU RoHS pursuant to a specific EU RoHS exemption.

Green: TI defines "Green" to mean the content of Chlorine (Cl) and Bromine (Br) based flame retardants meet JS709B low halogen requirements of <=1000ppm threshold. Antimony trioxide based flame retardants must also meet the <=1000ppm threshold requirement.

(3) MSL, Peak Temp. - The Moisture Sensitivity Level rating according to the JEDEC industry standard classifications, and peak solder temperature.

(4) There may be additional marking, which relates to the logo, the lot trace code information, or the environmental category on the device.

⁽⁵⁾ Multiple Device Markings will be inside parentheses. Only one Device Marking contained in parentheses and separated by a "~" will appear on a device. If a line is indented then it is a continuation of the previous line and the two combined represent the entire Device Marking for that device.

⁽⁶⁾ Lead finish/Ball material - Orderable Devices may have multiple material finish options. Finish options are separated by a vertical ruled line. Lead finish/Ball material values may wrap to two lines if the finish value exceeds the maximum column width.

Important Information and Disclaimer:The information provided on this page represents TI's knowledge and belief as of the date that it is provided. TI bases its knowledge and belief on information provided by third parties, and makes no representation or warranty as to the accuracy of such information. Efforts are underway to better integrate information from third parties. TI has taken and continues to take reasonable steps to provide representative and accurate information but may not have conducted destructive testing or chemical analysis on incoming materials and chemicals. TI and TI suppliers consider certain information to be proprietary, and thus CAS numbers and other limited information may not be available for release.

In no event shall TI's liability arising out of such information exceed the total purchase price of the TI part(s) at issue in this document sold by TI to Customer on an annual basis.

TAPE AND REEL INFORMATION



QUADRANT ASSIGNMENTS FOR PIN 1 ORIENTATION IN TAPE



*All dimensions are nominal

| Device | Package Type | Package Drawing | Pins | SPQ | Reel Diameter (mm) | Reel Width W1 (mm) | A0 (mm) | B0 (mm) | K0 (mm) | P1 (mm) | W (mm) | Pin1 Quadrant |
|--------------|--------------|-----------------|------|------|--------------------|--------------------|---------|---------|---------|---------|--------|---------------|
| PCA9546ADGVR | TVSOP | DGV | 16 | 2000 | 330.0 | 12.4 | 6.8 | 4.0 | 1.6 | 8.0 | 12.0 | Q1 |
| PCA9546ADR | SOIC | D | 16 | 2500 | 330.0 | 16.4 | 6.5 | 10.3 | 2.1 | 8.0 | 16.0 | Q1 |
| PCA9546ADWR | SOIC | DW | 16 | 2000 | 330.0 | 16.4 | 10.75 | 10.7 | 2.7 | 12.0 | 16.0 | Q1 |
| PCA9546ARGYR | VQFN | RGY | 16 | 3000 | 330.0 | 12.4 | 3.8 | 4.3 | 1.5 | 8.0 | 12.0 | Q1 |

TAPE AND REEL BOX DIMENSIONS


*All dimensions are nominal

| Device | Package Type | Package Drawing | Pins | SPQ | Length (mm) | Width (mm) | Height (mm) |
|--------------|--------------|-----------------|------|------|-------------|------------|-------------|
| PCA9546ADGVR | TVSOP | DGV | 16 | 2000 | 356.0 | 356.0 | 35.0 |
| PCA9546ADR | SOIC | D | 16 | 2500 | 356.0 | 356.0 | 35.0 |
| PCA9546ADWR | SOIC | DW | 16 | 2000 | 350.0 | 350.0 | 43.0 |
| PCA9546ARGYR | VQFN | RGY | 16 | 3000 | 356.0 | 356.0 | 35.0 |

TUBE


*All dimensions are nominal

| Device | Package Name | Package Type | Pins | SPQ | L (mm) | W (mm) | T (μm) | B (mm) |
|------------|--------------|--------------|------|-----|--------|--------|--------|--------|
| PCA9546ADW | DW | SOIC | 16 | 40 | 506.98 | 12.7 | 4826 | 6.6 |

GENERIC PACKAGE VIEW

RGV 16

VQFN - 1 mm max height

4 x 4, 0.65 mm pitch

PLASTIC QUAD FLATPACK - NO LEAD



Images above are just a representation of the package family, actual package may vary.
Refer to the product data sheet for package details.

4224748/A

EXAMPLE STENCIL DESIGN

RGV0016A

VQFN - 1 mm max height

PLASTIC QUAD FLATPACK - NO LEAD



SOLDER PASTE EXAMPLE
BASED ON 0.125 MM THICK STENCIL
SCALE: 20X

EXPOSED PAD 17
79% PRINTED SOLDER COVERAGE BY AREA UNDER PACKAGE

4219037/A 06/2019

NOTES: (continued)

6. Laser cutting apertures with trapezoidal walls and rounded corners may offer better paste release. IPC-7525 may have alternate design recommendations.

D (R-PDSO-G16)

PLASTIC SMALL OUTLINE



- NOTES:
- A. All linear dimensions are in inches (millimeters).
 - B. This drawing is subject to change without notice.
 - C. Body length does not include mold flash, protrusions, or gate burrs. Mold flash, protrusions, or gate burrs shall not exceed 0.006 (0,15) each side.
 - D. Body width does not include interlead flash. Interlead flash shall not exceed 0.017 (0,43) each side.
 - E. Reference JEDEC MS-012 variation AC.



4220204/A 02/2017

NOTES:

1. All linear dimensions are in millimeters. Any dimensions in parenthesis are for reference only. Dimensioning and tolerancing per ASME Y14.5M.
2. This drawing is subject to change without notice.
3. This dimension does not include mold flash, protrusions, or gate burrs. Mold flash, protrusions, or gate burrs shall not exceed 0.15 mm per side.
4. This dimension does not include interlead flash. Interlead flash shall not exceed 0.25 mm per side.
5. Reference JEDEC registration MO-153.

EXAMPLE BOARD LAYOUT

PW0016A

TSSOP - 1.2 mm max height

SMALL OUTLINE PACKAGE



LAND PATTERN EXAMPLE
EXPOSED METAL SHOWN
SCALE: 10X



SOLDER MASK DETAILS

4220204/A 02/2017

NOTES: (continued)

- 6. Publication IPC-7351 may have alternate designs.
- 7. Solder mask tolerances between and around signal pads can vary based on board fabrication site.

EXAMPLE STENCIL DESIGN

PW0016A

TSSOP - 1.2 mm max height

SMALL OUTLINE PACKAGE



SOLDER PASTE EXAMPLE
BASED ON 0.125 mm THICK STENCIL
SCALE: 10X

4220204/A 02/2017

NOTES: (continued)

8. Laser cutting apertures with trapezoidal walls and rounded corners may offer better paste release. IPC-7525 may have alternate design recommendations.
9. Board assembly site may have different recommendations for stencil design.

GENERIC PACKAGE VIEW

DW 16

SOIC - 2.65 mm max height

7.5 x 10.3, 1.27 mm pitch

SMALL OUTLINE INTEGRATED CIRCUIT

This image is a representation of the package family, actual package may vary.
Refer to the product data sheet for package details.



4224780/A



DW0016A

PACKAGE OUTLINE

SOIC - 2.65 mm max height

SOIC



4220721/A 07/2016

NOTES:

1. All linear dimensions are in millimeters. Dimensions in parenthesis are for reference only. Dimensioning and tolerancing per ASME Y14.5M.
2. This drawing is subject to change without notice.
3. This dimension does not include mold flash, protrusions, or gate burrs. Mold flash, protrusions, or gate burrs shall not exceed 0.15 mm, per side.
4. This dimension does not include interlead flash. Interlead flash shall not exceed 0.25 mm, per side.
5. Reference JEDEC registration MS-013.

EXAMPLE BOARD LAYOUT

DW0016A

SOIC - 2.65 mm max height

SOIC



LAND PATTERN EXAMPLE
SCALE:7X



SOLDER MASK DETAILS

4220721/A 07/2016

NOTES: (continued)

6. Publication IPC-7351 may have alternate designs.

7. Solder mask tolerances between and around signal pads can vary based on board fabrication site.

EXAMPLE STENCIL DESIGN

DW0016A

SOIC - 2.65 mm max height

SOIC



SOLDER PASTE EXAMPLE
BASED ON 0.125 mm THICK STENCIL
SCALE:7X

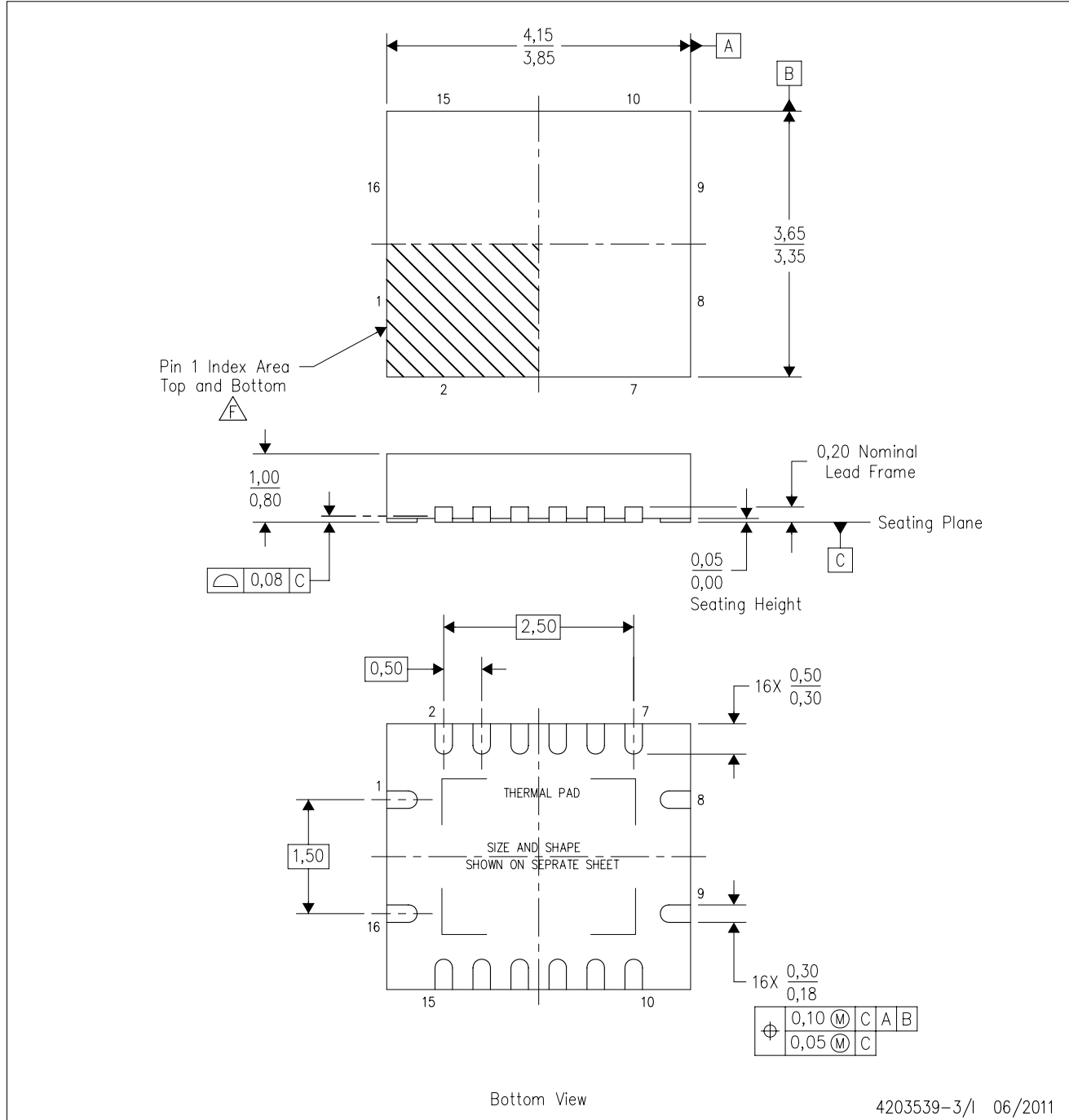
4220721/A 07/2016

NOTES: (continued)

8. Laser cutting apertures with trapezoidal walls and rounded corners may offer better paste release. IPC-7525 may have alternate design recommendations.
9. Board assembly site may have different recommendations for stencil design.

RGY (R-PVQFN-N16)

PLASTIC QUAD FLATPACK NO-LEAD



- NOTES:
- A. All linear dimensions are in millimeters. Dimensioning and tolerancing per ASME Y14.5M-1994.
 - B. This drawing is subject to change without notice.
 - C. QFN (Quad Flatpack No-Lead) package configuration.
 - D. The package thermal pad must be soldered to the board for thermal and mechanical performance.
 - E. See the additional figure in the Product Data Sheet for details regarding the exposed thermal pad features and dimensions.
 - F. Pin 1 identifiers are located on both top and bottom of the package and within the zone indicated. The Pin 1 identifiers are either a molded, marked, or metal feature.
 - G. Package complies to JEDEC MO-241 variation BA.

RGY (R-PVQFN-N16)

PLASTIC QUAD FLATPACK NO-LEAD

THERMAL INFORMATION

This package incorporates an exposed thermal pad that is designed to be attached directly to an external heatsink. The thermal pad must be soldered directly to the printed circuit board (PCB). After soldering, the PCB can be used as a heatsink. In addition, through the use of thermal vias, the thermal pad can be attached directly to the appropriate copper plane shown in the electrical schematic for the device, or alternatively, can be attached to a special heatsink structure designed into the PCB. This design optimizes the heat transfer from the integrated circuit (IC).

For information on the Quad Flatpack No-Lead (QFN) package and its advantages, refer to Application Report, QFN/SON PCB Attachment, Texas Instruments Literature No. SLUA271. This document is available at www.ti.com.

The exposed thermal pad dimensions for this package are shown in the following illustration.



Bottom View

Exposed Thermal Pad Dimensions

4206353-3/P 03/14

NOTE: All linear dimensions are in millimeters

RGY (R-PVQFN-N16)

PLASTIC QUAD FLATPACK NO-LEAD



4208122-3/P 03/14

- NOTES:
- A. All linear dimensions are in millimeters.
 - B. This drawing is subject to change without notice.
 - C. Publication IPC-7351 is recommended for alternate designs.
 - D. This package is designed to be soldered to a thermal pad on the board. Refer to Application Note, Quad Flat-Pack QFN/SON PCB Attachment, Texas Instruments Literature No. SLUA271, and also the Product Data Sheets for specific thermal information, via requirements, and recommended board layout. These documents are available at www.ti.com <<http://www.ti.com>>.
 - E. Laser cutting apertures with trapezoidal walls and also rounding corners will offer better paste release. Customers should contact their board assembly site for stencil design recommendations. Refer to IPC 7525 for stencil design considerations.
 - F. Customers should contact their board fabrication site for minimum solder mask web tolerances between signal pads.

重要なお知らせと免責事項

TI は、技術データと信頼性データ (データシートを含みます)、設計リソース (リファレンス・デザインを含みます)、アプリケーションや設計に関する各種アドバイス、Web ツール、安全性情報、その他のリソースを、欠陥が存在する可能性のある「現状のまま」提供しており、商品性および特定目的に対する適合性の黙示保証、第三者の知的財産権の非侵害保証を含むいかなる保証も、明示的または黙示的にかかわらず拒否します。

これらのリソースは、TI 製品を使用する設計の経験を積んだ開発者への提供を意図したものです。(1) お客様のアプリケーションに適した TI 製品の選定、(2) お客様のアプリケーションの設計、検証、試験、(3) お客様のアプリケーションに該当する各種規格や、その他のあらゆる安全性、セキュリティ、規制、または他の要件への確実な適合に関する責任を、お客様のみが単独で負うものとします。

上記の各種リソースは、予告なく変更される可能性があります。これらのリソースは、リソースで説明されている TI 製品を使用するアプリケーションの開発の目的でのみ、TI はその使用をお客様に許諾します。これらのリソースに関して、他の目的で複製することや掲載することは禁止されています。TI や第三者の知的財産権のライセンスが付与されている訳ではありません。お客様は、これらのリソースを自身で使用した結果発生するあらゆる申し立て、損害、費用、損失、責任について、TI およびその代理人を完全に補償するものとし、TI は一切の責任を拒否します。

TI の製品は、[TI の販売条件](#)、または [ti.com](#) やかかる TI 製品の関連資料などのいずれかを通じて提供する適用可能な条項の下で提供されています。TI がこれらのリソースを提供することは、適用される TI の保証または他の保証の放棄の拡大や変更を意味するものではありません。

お客様がいかなる追加条項または代替条項を提案した場合でも、TI はそれらに異議を唱え、拒否します。

郵送先住所 : Texas Instruments, Post Office Box 655303, Dallas, Texas 75265
Copyright © 2024, Texas Instruments Incorporated