

SNx4HC74 デュアル D タイプ、ポジティブ・エッジ・トリガ・フリップ・フロップ、クリアおよびプリセット付

1 特長

- バッファ付き入力
- 広い動作電圧範囲: 2V~6V
- 広い動作温度範囲: -40°C~+85°C
- 最大 10 個の LSTTL 負荷ファンアウトに対応
- LSTTL ロジック IC に比べて消費電力を大幅削減

2 アプリケーション

- [モメンタリ・スイッチからトグル・スイッチへの変換](#)
- クロック信号の 2 分割または 4 分割

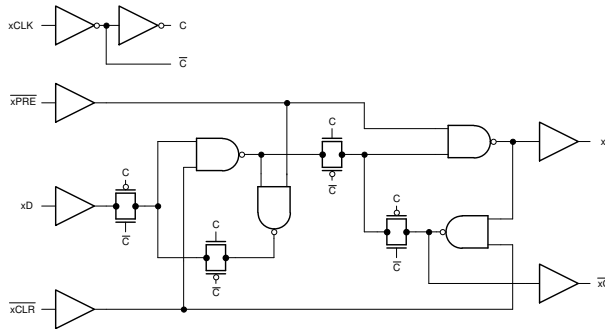
3 概要

SNx4HC74 デバイスには、2 つの独立した D タイプ正エッジ・トリガ型フリップ・フロップが内蔵されており、それぞれに非同期のプリセット・ピンとクリア・ピンがあります。

製品情報 (1)

| 部品番号 | パッケージ | 本体サイズ (公称) |
|------------|------------|------------------|
| SN74HC74D | SOIC (14) | 8.70mm × 3.90mm |
| SN74HC74DB | SSOP (14) | 6.50mm × 5.30mm |
| SN74HC74N | PDIP (14) | 19.30mm × 6.40mm |
| SN74HC74NS | SO (14) | 10.20mm × 5.30mm |
| SN74HC74PW | TSSOP (14) | 5.00mm × 4.40mm |
| SN54HC74J | CDIP (14) | 21.30mm × 7.60mm |
| SN54HC74W | CFP (14) | 9.20mm × 6.29mm |
| SN54HC74FK | LCCC (20) | 8.90mm × 8.90mm |

(1) 利用可能なパッケージについては、このデータシートの末尾にある注文情報を参照してください。



機能的なピン配置

Table of Contents

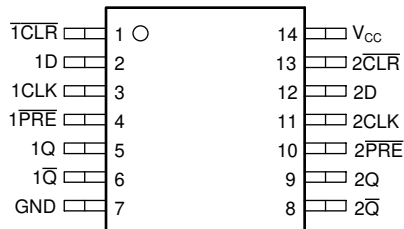
| | | | |
|--|----------|--|-----------|
| 1 特長 | 1 | 8 Detailed Description | 10 |
| 2 アプリケーション | 1 | 8.1 Overview..... | 10 |
| 3 概要 | 1 | 8.2 Functional Block Diagram..... | 10 |
| 4 Revision History | 2 | 8.3 Feature Description..... | 10 |
| 5 Pin Configuration and Functions | 3 | 8.4 Device Functional Modes..... | 11 |
| Pin Functions..... | 3 | 9 Application and Implementation | 12 |
| 6 Specifications | 4 | 9.1 Application Information..... | 12 |
| 6.1 Absolute Maximum Ratings..... | 4 | 9.2 Typical Application..... | 12 |
| 6.2 ESD Ratings..... | 4 | 10 Power Supply Recommendations | 15 |
| 6.3 Recommended Operating Conditions..... | 4 | 11 Layout | 16 |
| 6.4 Thermal Information..... | 5 | 11.1 Layout Guidelines..... | 16 |
| 6.5 Electrical Characteristics - 74..... | 5 | 11.2 Layout Example..... | 16 |
| 6.6 Electrical Characteristics - 54..... | 6 | 12 Device and Documentation Support | 17 |
| 6.7 Timing Requirements - 74..... | 6 | 12.1 Documentation Support..... | 17 |
| 6.8 Timing Requirements - 54..... | 7 | 12.2 サポート・リソース..... | 17 |
| 6.9 Switching Characteristics - 74..... | 7 | 12.3 Trademarks..... | 17 |
| 6.10 Switching Characteristics - 54..... | 8 | 12.4 静電気放電に関する注意事項..... | 17 |
| 6.11 Operating Characteristics..... | 8 | 12.5 用語集..... | 17 |
| 6.12 Typical Characteristics..... | 8 | 13 Mechanical, Packaging, and Orderable Information | 17 |
| 7 Parameter Measurement Information | 9 | | |

4 Revision History

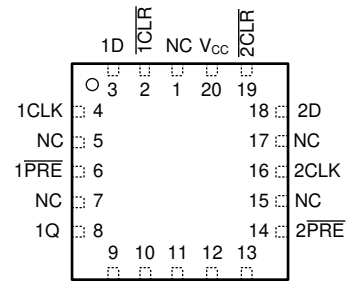
資料番号末尾の英字は改訂を表しています。その改訂履歴は英語版に準じています。

| Changes from Revision E (December 2015) to Revision F (June 2021) | Page |
|--|-------------|
| • 新しいデータシート標準に更新..... | 1 |
| • $R_{\theta JA}$ increased for the D (86 to 133.6 °C/W), DB (96 to 107.7 °C/W), NS (76 to 122.6 °C/W), and PW (113 to 151.7 °C/W) and decreased for the N package (80 to 61.9 °C/W) | 5 |

5 Pin Configuration and Functions



D, DB, N, NS, PW, J, or W Package
14-Pin SOIC, SSOP, PDIP, SO, TSSOP, CDIP, or CFP
Top View



FK Package
20-Pin LCCC
Top View

Pin Functions

| NAME | PIN | | I/O | DESCRIPTION |
|-----------------|---------------------------|---------------------|--------|--|
| | D, DB, N, NS, PW, J, or W | FK | | |
| 1 CLR | 1 | 2 | Input | Channel 1, Clear Input, Active Low |
| 1D | 2 | 3 | Input | Channel 1, Data Input |
| 1CLK | 3 | 4 | Input | Channel 1, Positive edge triggered clock input |
| 1PRE | 4 | 6 | Input | Channel 1, Preset Input, Active Low |
| 1Q | 5 | 8 | Output | Channel 1, Output |
| 1Q̄ | 6 | 9 | Output | Channel 1, Inverted Output |
| GND | 7 | 10 | — | Ground |
| 2Q̄ | 8 | 12 | Output | Channel 2, Inverted Output |
| 2Q | 9 | 13 | Output | Channel 2, Output |
| 2PRE | 10 | 14 | Input | Channel 2, Preset Input, Active Low |
| 2CLK | 11 | 16 | Input | Channel 2, Positive edge triggered clock input |
| 2D | 12 | 18 | Input | Channel 2, Data Input |
| 2 CLR | 13 | 19 | Input | Channel 2, Clear Input, Active Low |
| V _{CC} | 14 | 20 | — | Positive Supply |
| NC | | 1, 5, 7, 11, 15, 17 | — | Not internally connected |

6 Specifications

6.1 Absolute Maximum Ratings

over operating free-air temperature range (unless otherwise noted)⁽¹⁾

| | | MIN | MAX | UNIT |
|------------------|---|---|-----|--------|
| V _{CC} | Supply voltage | -0.5 | 7 | V |
| I _{IK} | Input clamp current ⁽²⁾ | V _I < -0.5 V or V _I > V _{CC} | | ±20 mA |
| I _{OK} | Output clamp current ⁽²⁾ | V _I < -0.5 V or V _I > V _{CC} | | ±20 mA |
| I _O | Continuous output current | V _O = 0 to V _{CC} | | ±25 mA |
| | Continuous current through V _{CC} or GND | | ±50 | mA |
| T _J | Junction temperature ⁽³⁾ | | 150 | °C |
| T _{stg} | Storage temperature | -65 | 150 | °C |

(1) Stresses beyond those listed under *Absolute Maximum Rating* may cause permanent damage to the device. These are stress ratings only, which do not imply functional operation of the device at these or any other conditions beyond those indicated under *Recommended Operating Condition*. Exposure to absolute-maximum-rated conditions for extended periods may affect device reliability.

(2) The input and output voltage ratings may be exceeded if the input and output current ratings are observed.

(3) Guaranteed by design.

6.2 ESD Ratings

| | | VALUE | UNIT |
|--------------------|-------------------------|--|-------|
| V _(ESD) | Electrostatic discharge | Human-body model (HBM), per ANSI/ESDA/ JEDEC JS-001 ⁽¹⁾ | ±2000 |
| | | Charged-device model (CDM), per JEDEC specification JESD22-C101 ⁽²⁾ | ±1500 |

(1) JEDEC document JEP155 states that 500-V HBM allows safe manufacturing with a standard ESD control process.

(2) JEDEC document JEP157 states that 250-V CDM allows safe manufacturing with a standard ESD control process.

6.3 Recommended Operating Conditions

over operating free-air temperature range (unless otherwise noted)

| | | MIN | NOM | MAX | UNIT |
|-----------------|-------------------------------------|-------------------------|------|-----------------|------|
| V _{CC} | Supply voltage | 2 | 5 | 6 | V |
| V _{IH} | High-level input voltage | V _{CC} = 2 V | 1.5 | | V |
| | | V _{CC} = 4.5 V | 3.15 | | |
| | | V _{CC} = 6 V | 4.2 | | |
| V _{IL} | Low-level input voltage | V _{CC} = 2 V | | 0.5 | V |
| | | V _{CC} = 4.5 V | | 1.35 | |
| | | V _{CC} = 6 V | | 1.8 | |
| V _I | Input voltage | 0 | | V _{CC} | V |
| V _O | Output voltage | 0 | | V _{CC} | V |
| Δt/Δv | Input transition rise and fall rate | V _{CC} = 2 V | | 1000 | ns |
| | | V _{CC} = 4.5 V | | 500 | |
| | | V _{CC} = 6 V | | 400 | |
| T _A | Operating free-air temperature | SN54HC00 | -55 | 125 | °C |
| | | SN74HC00 | -40 | 85 | |

6.4 Thermal Information

| THERMAL METRIC ⁽¹⁾ | | SN74HC74 | | | | | SN54HC74 | | | UNIT |
|-------------------------------|--|----------|-----------|----------|---------|------------|----------|---------|-----------|------|
| | | D (SOIC) | DB (SSOP) | N (PDIP) | NS (SO) | PW (TSSOP) | J (CDIP) | W (CFP) | FK (LCCC) | |
| | | 14 PINS | 14 PINS | 14 PINS | 14 PINS | 14 PINS | 14 PINS | 14 PINS | 20 PINS | |
| $R_{\theta JA}$ | Junction-to-ambient thermal resistance | 133.6 | 107.7 | 61.9 | 122.6 | 151.7 | N/A | N/A | N/A | °C/W |
| $R_{\theta JC(top)}$ | Junction-to-case (top) thermal resistance | 89.0 | 57.4 | 49.7 | 81.8 | 79.4 | 15.05 | 14.65 | 5.61 | °C/W |
| $R_{\theta JB}$ | Junction-to-board thermal resistance | 89.5 | 57.9 | 41.7 | 83.8 | 94.7 | N/A | N/A | N/A | °C/W |
| Ψ_{JT} | Junction-to-top characterization parameter | 45.5 | 17.6 | 29.3 | 45.4 | 25.2 | N/A | N/A | N/A | °C/W |
| Ψ_{JB} | Junction-to-board characterization parameter | 89.1 | 57.2 | 41.4 | 83.4 | 94.1 | N/A | N/A | N/A | °C/W |
| $R_{\theta JC(bottom)}$ | Junction-to-case (bottom) thermal resistance | N/A | N/A | N/A | N/A | N/A | N/A | N/A | N/A | °C/W |

(1) For more information about traditional and new thermal metrics, see the [Semiconductor and IC Package Thermal Metrics](#) application report.

6.5 Electrical Characteristics - 74

over operating free-air temperature range; typical values measured at $T_A = 25^\circ\text{C}$ (unless otherwise noted).

| PARAMETER | TEST CONDITIONS | V_{CC} | Operating free-air temperature (T_A) | | | | | | UNIT | | |
|-----------|---------------------------|----------------------------|--|------------|------|---------------|-----------|------|---------|---------------|----|
| | | | 25°C | | | -40°C to 85°C | | | | | |
| | | | MIN | TYP | MAX | MIN | TYP | MAX | | | |
| V_{OH} | High-level output voltage | $V_I = V_{IH}$ or V_{IL} | $I_{OH} = -20 \mu\text{A}$ | 2 V | 1.9 | 1.998 | | 1.9 | V | | |
| | | | | 4.5 V | 4.4 | 4.499 | | 4.4 | | | |
| | | | | 6 V | 5.9 | 5.999 | | 5.9 | | | |
| | | | $I_{OH} = -4 \text{ mA}$ | 4.5 V | 3.98 | 4.3 | | 3.84 | | | |
| | | | $I_{OH} = -5.2 \text{ mA}$ | 6 V | 5.48 | 5.8 | | 5.34 | | | |
| V_{OL} | Low-level output voltage | $V_I = V_{IH}$ or V_{IL} | $I_{OL} = 20 \mu\text{A}$ | 2 V | | | 0.002 | 0.1 | 0.1 | V | |
| | | | | 4.5 V | | | 0.001 | 0.1 | 0.1 | | |
| | | | | 6 V | | | 0.001 | 0.1 | 0.1 | | |
| | | | $I_{OL} = 4 \text{ mA}$ | 4.5 V | | | 0.17 | 0.26 | 0.33 | | |
| | | | $I_{OL} = 5.2 \text{ mA}$ | 6 V | | | 0.15 | 0.26 | 0.33 | | |
| I_I | Input leakage current | $V_I = V_{CC}$ or 0 | | 6 V | | | ± 0.1 | | ± 1 | μA | |
| I_{CC} | Supply current | $V_I = V_{CC}$ or 0 | $I_O = 0$ | 6 V | | | 4 | | 40 | μA | |
| C_i | Input capacitance | | | 2 V to 6 V | | | 3 | 10 | | 10 | pF |

6.6 Electrical Characteristics - 54

over operating free-air temperature range; typical values measured at TA = 25°C (unless otherwise noted).

| PARAMETER | TEST CONDITIONS | V _{CC} | Operating free-air temperature (T _A) | | | | | | | | | UNIT |
|-----------------|---------------------------|---|--|---------------------------|------|---------------|-------|------|----------------|------|-----|------|
| | | | 25°C | | | -40°C to 85°C | | | -55°C to 125°C | | | |
| | | | MIN | TYP | MAX | MIN | TYP | MAX | MIN | TYP | MAX | |
| V _{OH} | High-level output voltage | V _I = V _{IH} or V _{IL} | I _{OH} = -20 μA | 2 V | 1.9 | 1.998 | | 1.9 | | 1.9 | | V |
| | | | | 4.5 V | 4.4 | 4.499 | | 4.4 | | 4.4 | | |
| | | | | 6 V | 5.9 | 5.999 | | 5.9 | | 5.9 | | |
| | | | I _{OH} = -6 mA | 4.5 V | 3.98 | 4.3 | | 3.84 | | 3.7 | | |
| | | | | I _{OH} = -7.8 mA | 6 V | 5.48 | 5.8 | | 5.34 | | 5.2 | |
| V _{OL} | Low-level output voltage | V _I = V _{IH} or V _{IL} | I _{OL} = 20 μA | | 2 V | | 0.002 | 0.1 | | | 0.1 | 0.1 |
| | | | | 4.5 V | | 0.001 | 0.1 | | | 0.1 | 0.1 | |
| | | | | 6 V | | 0.001 | 0.1 | | | 0.1 | 0.1 | |
| | | | I _{OL} = 6 mA | 4.5 V | | 0.17 | 0.26 | | | 0.33 | 0.4 | |
| | | | | 6 V | | 0.15 | 0.26 | | | 0.33 | 0.4 | |
| I _I | Input leakage current | V _I = V _{CC} or 0 | 6 V | | | ±0.1 | | | ±1 | ±1 | μA | |
| I _{CC} | Supply current | V _I = V _{CC} or 0 | I _O = 0 | 6 V | | | 2 | | | 20 | 40 | μA |
| C _i | Input capacitance | | 2 V to 6 V | | | 3 | 10 | | | 10 | 10 | pF |

6.7 Timing Requirements - 74

over operating free-air temperature range (unless otherwise noted)

| | | V _{CC} | Operating free-air temperature (T _A) | | | | | | UNIT | |
|--------------------|-----------------------------|---------------------|--|-----|-----|---------------|-----|-----|------|----|
| | | | 25°C | | | -40°C to 85°C | | | | |
| | | | MIN | TYP | MAX | MIN | TYP | MAX | | |
| f _{clock} | Clock frequency | 2 V | | | | 6 | | 5 | MHz | |
| | | 4.5 V | | | | 31 | | 25 | | |
| | | 6 V | 0 | | | 36 | 0 | 29 | | |
| t _w | Pulse duration | PRE or CLR low | 2 V | | | | 100 | | 125 | ns |
| | | | 4.5 V | | | | 20 | | 25 | |
| | | | 6 V | | | | 14 | | 21 | |
| | CLK high or low | 2 V | | | | 80 | | 100 | | |
| | | 4.5 V | | | | 16 | | 20 | | |
| | | 6 V | | | | 14 | | 17 | | |
| t _{su} | Setup time before CLK ↑ | Data | 2 V | | | | 100 | | 125 | ns |
| | | | 4.5 V | | | | 20 | | 25 | |
| | | | 6 V | | | | 17 | | 21 | |
| | | PRE or CLR inactive | 2 V | | | | 25 | | 30 | |
| | | | 4.5 V | | | | 5 | | 6 | |
| | | | 6 V | | | | 4 | | 5 | |
| t _h | Hold time, data after CLK ↑ | 2 V | 0 | | | | 0 | | ns | |
| | | 4.5 V | 0 | | | | 0 | | | |
| | | 6 V | 0 | | | | 0 | | | |

6.8 Timing Requirements - 54

over operating free-air temperature range; typical values measured at TA = 25°C (unless otherwise noted).

| | | | V _{CC} | Operating free-air temperature (T _A) | | | | | | UNIT | | | |
|--------------------|-----------------------------|---------------------|-----------------|--|-----|-----|---------------|-----|-----|------|----------------|-----|-----|
| | | | | 25°C | | | –40°C to 85°C | | | | –55°C to 125°C | | |
| | | | | MIN | TYP | MAX | MIN | TYP | MAX | | MIN | TYP | MAX |
| f _{clock} | Clock frequency | | 2 V | | | 6 | | | 5 | | 4.2 | ns | |
| | | | 4.5 V | | | 31 | | | 25 | | 21 | | |
| | | | 6 V | 0 | | 36 | 0 | | 29 | 0 | 25 | | |
| t _w | Pulse duration | PRE or CLR low | 2 V | | | 100 | | | 125 | | 150 | ns | |
| | | | 4.5 V | | | 20 | | | 25 | | 30 | | |
| | | | 6 V | | | 14 | | | 21 | | 25 | | |
| | | CLK high or low | 2 V | | | 80 | | | 100 | | 120 | | |
| | | | 4.5 V | | | 16 | | | 20 | | 24 | | |
| | | | 6 V | | | 14 | | | 17 | | 20 | | |
| t _{su} | Setup time before CLK ↑ | Data | 2 V | | | 100 | | | 125 | | 150 | ns | |
| | | | 4.5 V | | | 20 | | | 25 | | 30 | | |
| | | | 6 V | | | 17 | | | 21 | | 25 | | |
| | | PRE or CLR inactive | 2 V | | | 25 | | | 30 | | 40 | | |
| | | | 4.5 V | | | 5 | | | 6 | | 8 | | |
| | | | 6 V | | | 4 | | | 5 | | 7 | | |
| t _h | Hold time, data after CLK ↑ | | 2 V | 0 | | | 0 | | | 0 | MHz | | |
| | | | 4.5 V | 0 | | | 0 | | | 0 | | | |
| | | | 6 V | 0 | | | 0 | | | 0 | | | |

6.9 Switching Characteristics - 74

over operating free-air temperature range (unless otherwise noted)

| PARAMETER | FROM | TO | V _{CC} | Operating free-air temperature (T _A) | | | | | | UNIT |
|------------------|------------|----------------|-----------------|--|-----|-----|---------------|-----|-----|------|
| | | | | 25°C | | | –40°C to 85°C | | | |
| | | | | MIN | TYP | MAX | MIN | TYP | MAX | |
| f _{max} | | | 2 V | 6 | 10 | | 6 | | | MHz |
| | | | 4.5 V | 31 | 50 | | 25 | | | |
| | | | 6 V | 36 | 60 | | 29 | | | |
| t _{pd} | PRE or CLR | Q or \bar{Q} | 2 V | | 70 | 230 | | | 290 | ns |
| | | | 4.5 V | | 20 | 46 | | | 58 | |
| | | | 6 V | | 15 | 39 | | | 49 | |
| | CLK | Q or \bar{Q} | 2 V | | 70 | 175 | | | 220 | |
| | | | 4.5 V | | 20 | 35 | | | 44 | |
| | | | 6 V | | 15 | 30 | | | 39 | |
| t _t | | Q or \bar{Q} | 2 V | | 28 | 75 | | | 95 | ns |
| | | | 4.5 V | | 8 | 15 | | | 19 | |
| | | | 6 V | | 6 | 13 | | | 16 | |

6.10 Switching Characteristics - 54

over operating free-air temperature range; typical values measured at $T_A = 25^\circ\text{C}$ (unless otherwise noted).

| PARAMETER | FROM | TO | V_{CC} | Operating free-air temperature (T_A) | | | | | | | | | UNIT |
|-----------|------------|----------------|----------|--|-----|-----|---------------|-----|-----|----------------|-----|-----|------|
| | | | | 25°C | | | -40°C to 85°C | | | -55°C to 125°C | | | |
| | | | | MIN | TYP | MAX | MIN | TYP | MAX | MIN | TYP | MAX | |
| f_{max} | | | 2 V | 6 | 10 | | 6 | | | 4.2 | MHz | | |
| | | | 4.5 V | 31 | 50 | | 25 | | | 21 | | | |
| | | | 6 V | 36 | 60 | | 29 | | | 25 | | | |
| t_{pd} | PRE or CLR | Q or \bar{Q} | 2 V | | 70 | 230 | | | 290 | | 345 | ns | |
| | | | 4.5 V | | 20 | 46 | | | 58 | | 69 | | |
| | | | 6 V | | 15 | 39 | | | 49 | | 59 | | |
| | CLK | Q or \bar{Q} | 2 V | | 70 | 175 | | | 220 | | 250 | | |
| | | | 4.5 V | | 20 | 35 | | | 44 | | 50 | | |
| | | | 6 V | | 15 | 30 | | | 39 | | 42 | | |
| t_t | | Q or \bar{Q} | 2 V | | 28 | 75 | | | 95 | | 110 | ns | |
| | | | 4.5 V | | 8 | 15 | | | 19 | | 22 | | |
| | | | 6 V | | 6 | 13 | | | 16 | | 19 | | |

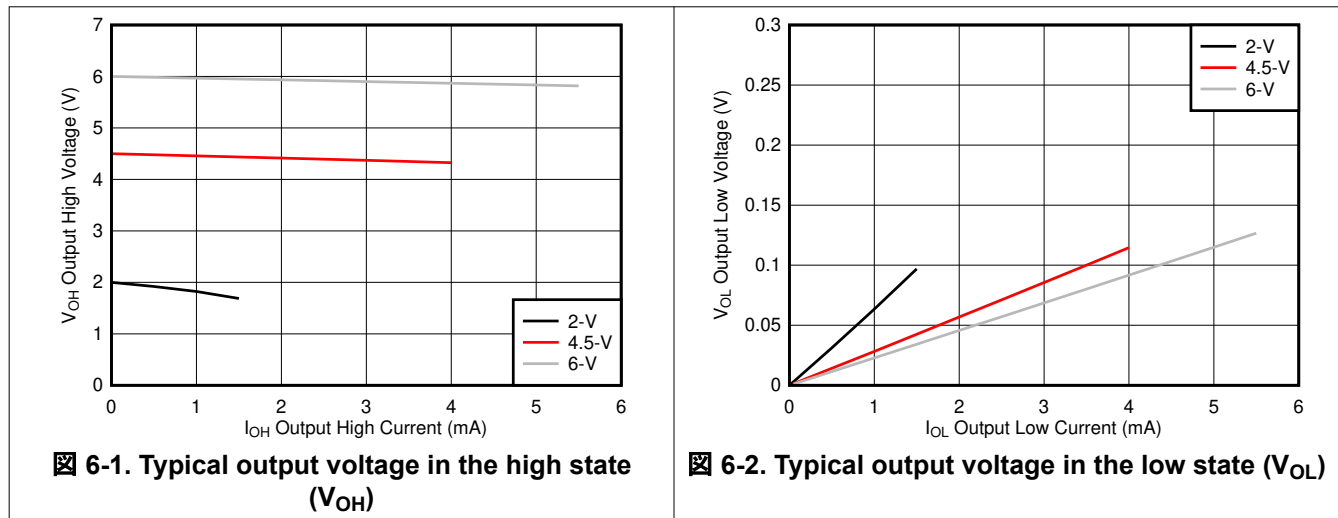
6.11 Operating Characteristics

over operating free-air temperature range; typical values measured at $T_A = 25^\circ\text{C}$ (unless otherwise noted).

| PARAMETER | TEST CONDITIONS | V_{CC} | MIN | TYP | MAX | UNIT |
|-----------|---|------------|-----|-----|-----|------|
| C_{pd} | Power dissipation capacitance per gate No load | 2 V to 6 V | | 35 | | pF |

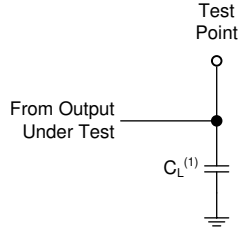
6.12 Typical Characteristics

$T_A = 25^\circ\text{C}$



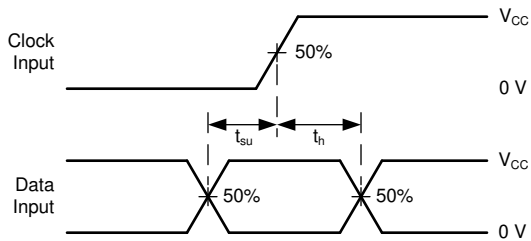
7 Parameter Measurement Information

- Phase relationships between waveforms were chosen arbitrarily. All input pulses are supplied by generators having the following characteristics: $PRR \leq 1 \text{ MHz}$, $Z_O = 50 \Omega$, $t_t < 6 \text{ ns}$.
- The outputs are measured one at a time, with one input transition per measurement.

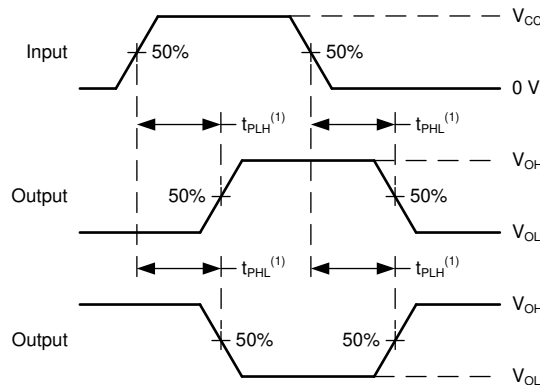


A. $C_L = 50 \text{ pF}$ and includes probe and jig capacitance.

7-1. Load Circuit

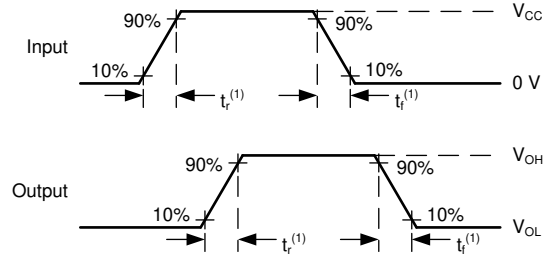


7-3. Voltage Waveforms Setup and Hold Times



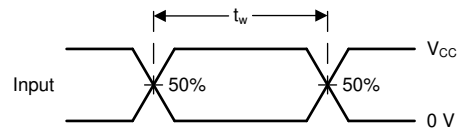
A. The maximum between t_{PLH} and t_{PHL} is used for t_{pd} .

7-5. Voltage Waveforms Propagation Delays



A. t_t is the greater of t_r and t_f .

7-2. Voltage Waveforms Transition Times



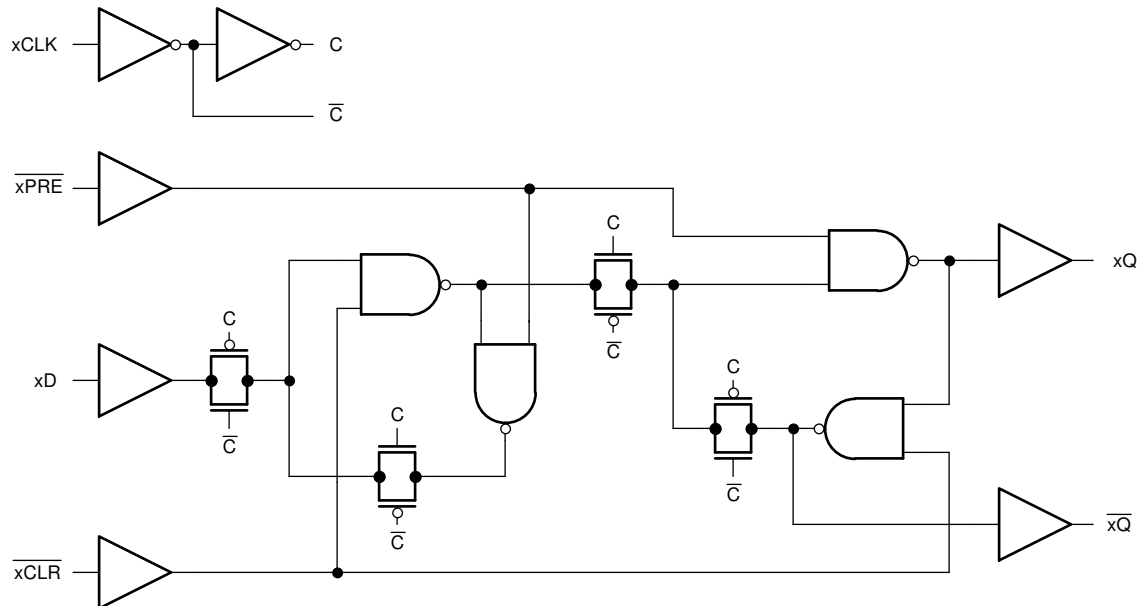
7-4. Voltage Waveforms Pulse Width

8 Detailed Description

8.1 Overview

The SNx4HC74 devices contain two independent D-type positive-edge-triggered flip-flops with asynchronous preset and clear pins for each.

8.2 Functional Block Diagram



8.3 Feature Description

8.3.1 Balanced CMOS Push-Pull Outputs

A balanced output allows the device to sink and source similar currents. The drive capability of this device may create fast edges into light loads so routing and load conditions should be considered to prevent ringing. Additionally, the outputs of this device are capable of driving larger currents than the device can sustain without being damaged. It is important for the output power of the device to be limited to avoid damage due to over-current. The electrical and thermal limits defined in the [セクション 6.1](#) must be followed at all times.

The SN74HC74 can drive a load with a total capacitance less than or equal to the maximum load listed in the [セクション 6.9](#) connected to a high-impedance CMOS input while still meeting all of the datasheet specifications. Larger capacitive loads can be applied, however it is not recommended to exceed the provided load value. If larger capacitive loads are required, it is recommended to add a series resistor between the output and the capacitor to limit output current to the values given in the [セクション 6.1](#).

8.3.2 Standard CMOS Inputs

Standard CMOS inputs are high impedance and are typically modeled as a resistor from the input to ground in parallel with the input capacitance given in the [セクション 6.5](#). The worst case resistance is calculated with the maximum input voltage, given in the [セクション 6.1](#), and the maximum input leakage current, given in the [セクション 6.5](#), using ohm's law ($R = V \div I$).

Signals applied to the inputs need to have fast edge rates, as defined by the input transition time in the [セクション 6.3](#) to avoid excessive current consumption and oscillations. If a slow or noisy input signal is required, a device with a Schmitt-trigger input should be used to condition the input signal prior to the standard CMOS input.

8.3.3 Clamp Diode Structure

The inputs and outputs to this device have both positive and negative clamping diodes as depicted in 図 8-1.

注意

Voltages beyond the values specified in the セクション 6.1 table can cause damage to the device. The recommended input and output voltage ratings may be exceeded if the input and output clamp-current ratings are observed.

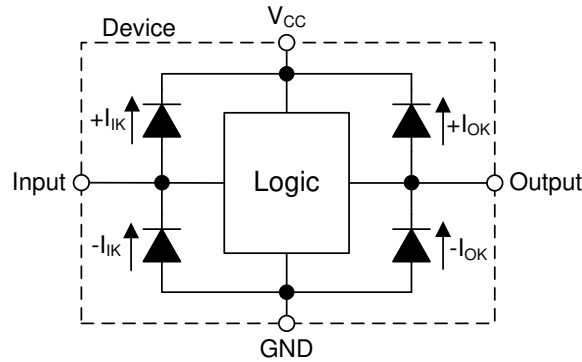


図 8-1. Electrical Placement of Clamping Diodes for Each Input and Output

8.4 Device Functional Modes

表 8-1. Function Table

| INPUTS | | | | OUTPUTS | |
|--------|-----|-----|---|------------------|------------------|
| PRE | CLR | CLK | D | Q | \bar{Q} |
| L | H | X | X | H | L |
| H | L | X | X | L | H |
| L | L | X | X | H ⁽¹⁾ | H ⁽¹⁾ |
| H | H | ↑ | H | H | L |
| H | H | ↑ | L | L | H |
| H | H | L | X | Q ₀ | \bar{Q}_0 |

- (1) This configuration is nonstable; that is, it does not persist when PRE or CLR returns to its inactive (high) level.

9 Application and Implementation

注

以下のアプリケーション情報は、TI の製品仕様に含まれるものではなく、TI ではその正確性または完全性を保証いたしません。個々の目的に対する製品の適合性については、お客様の責任で判断していただくこととなります。また、お客様は自身の設計実装を検証しテストすることで、システムの機能を確認する必要があります。

9.1 Application Information

Toggle switches are typically large, mechanically complex and relatively expensive. It is desirable to use a momentary switch instead because they are small, mechanically simple and low cost. Some systems require a toggle switch's functionality but are space or cost constrained and must use a momentary switch instead.

If the data input (D) of the D-type flip-flop is tied to the inverted output (\bar{Q}), then each clock pulse will cause the value at the output (Q) to toggle. The momentary switch can be debounced and connected through a Schmitt-trigger buffer to the clock input (CLK) to toggle the output.

This application also utilizes a power-on reset circuit to ensure that the output always starts in the LOW state when power is applied.

9.2 Typical Application

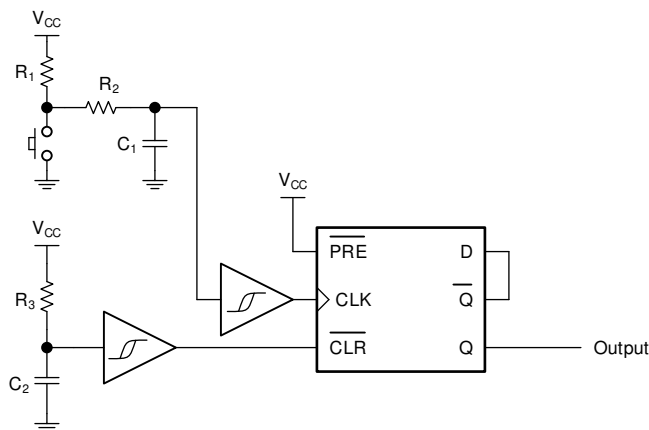


図 9-1. Typical application schematic

9.2.1 Design Requirements

9.2.1.1 Power Considerations

Ensure the desired supply voltage is within the range specified in the [セクション 6.3](#). The supply voltage sets the device's electrical characteristics as described in the [セクション 6.5](#).

The supply must be capable of sourcing current equal to the total current to be sourced by all outputs of the SN74HC74 plus the maximum supply current, I_{CC} , listed in the [セクション 6.5](#). The logic device can only source or sink as much current as it is provided at the supply and ground pins, respectively. Be sure not to exceed the maximum total current through GND or V_{CC} listed in the [セクション 6.1](#).

Total power consumption can be calculated using the information provided in [CMOS Power Consumption and \$C_{pd}\$ Calculation](#).

Thermal increase can be calculated using the information provided in [Thermal Characteristics of Standard Linear and Logic \(SLL\) Packages and Devices](#).

注意

The maximum junction temperature, $T_J(\text{max})$ listed in the [セクション 6.1](#), is an *additional limitation* to prevent damage to the device. Do not violate any values listed in the [セクション 6.1](#). These limits are provided to prevent damage to the device.

9.2.1.2 Input Considerations

Unused inputs must be terminated to either V_{CC} or ground. These can be directly terminated if the input is completely unused, or they can be connected with a pull-up or pull-down resistor if the input is to be used sometimes, but not always. A pull-up resistor is used for a default state of HIGH, and a pull-down resistor is used for a default state of LOW. The resistor size is limited by drive current of the controller, leakage current into the SN74HC74, as specified in the [セクション 6.5](#), and the desired input transition rate. A 10-k Ω resistor value is often used due to these factors.

The SN74HC74 has standard CMOS inputs, so input signal edge rates cannot be slow. Slow input edge rates can cause oscillations and damaging shoot-through current. The recommended rates are defined in the [セクション 6.3](#).

Refer to the [セクション 8.3](#) for additional information regarding the inputs for this device.

9.2.1.3 Output Considerations

The positive supply voltage is used to produce the output HIGH voltage. Drawing current from the output will decrease the output voltage as specified by the V_{OH} specification in the [セクション 6.5](#). Similarly, the ground voltage is used to produce the output LOW voltage. Sinking current into the output will increase the output voltage as specified by the V_{OL} specification in the [セクション 6.5](#).

Unused outputs can be left floating. Do not connect outputs directly to V_{CC} or ground.

Refer to [セクション 8.3](#) for additional information regarding the outputs for this device.

9.2.1.4 Timing Considerations

The SN74HC74 is a clocked device. As such, it requires special timing considerations to ensure normal operation.

Primary timing factors to consider:

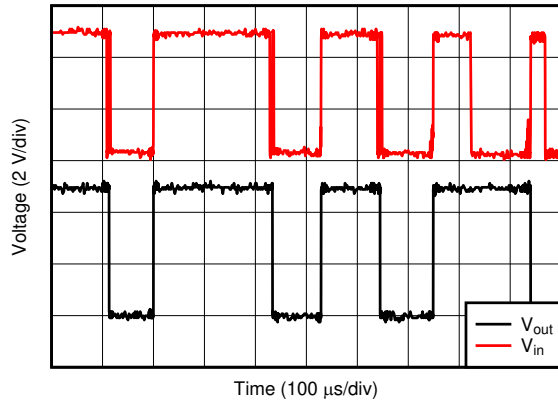
- Maximum clock frequency: the maximum operating clock frequency defined in [セクション 6.7](#) is the maximum frequency at which the device is guaranteed to function. This value refers specifically to the triggering waveform, measuring from one trigger level to the next.
- Pulse duration: ensure that the triggering event duration is larger than the minimum pulse duration, as defined in the [セクション 6.7](#).
- Setup time: ensure that the data has changed at least one setup time prior to the triggering event, as defined in the [セクション 6.7](#).
- Hold time: ensure that the data remains in the desired state at least one hold time after the triggering event, as defined in the [セクション 6.7](#).

9.2.2 Detailed Design Procedure

1. Add a decoupling capacitor from V_{CC} to GND. The capacitor needs to be placed physically close to the device and electrically close to both the V_{CC} and GND pins. An example layout is shown in the [セクション 11](#).
2. Ensure the capacitive load at the output is ≤ 70 pF. This is not a hard limit, however it will ensure optimal performance. This can be accomplished by providing short, appropriately sized traces from the SN74HC74 to the receiving device.
3. Ensure the resistive load at the output is larger than $(V_{CC} / I_O(\text{max})) \Omega$. This will ensure that the maximum output current from the [セクション 6.1](#) is not violated. Most CMOS inputs have a resistive load measured in megaohms; much larger than the minimum calculated above.

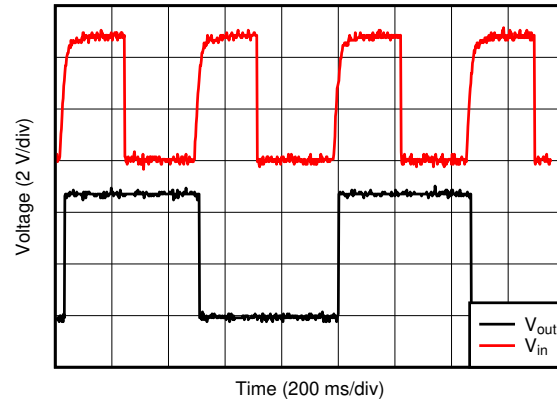
- Thermal issues are rarely a concern for logic gates, however the power consumption and thermal increase can be calculated using the steps provided in the application report, [CMOS Power Consumption and Cpd Calculation](#)

9.2.3 Application Curves



D001

9-2. Waveform for non-debounced switch.



D002

9-3. Waveform for debounced switch.

10 Power Supply Recommendations

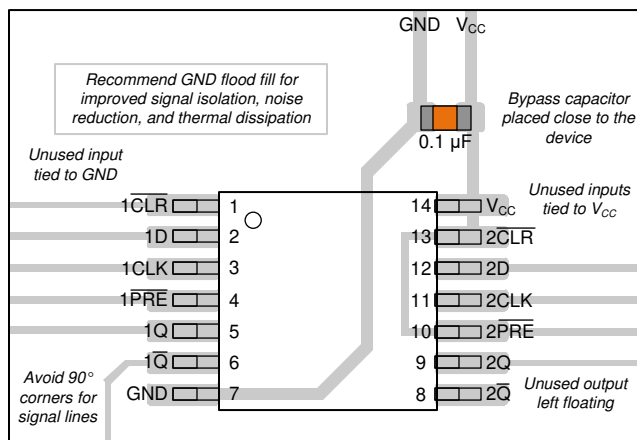
The power supply can be any voltage between the minimum and maximum supply voltage rating located in the [セクション 6.3](#). Each V_{CC} terminal should have a bypass capacitor to prevent power disturbance. A 0.1- μ F capacitor is recommended for this device. It is acceptable to parallel multiple bypass caps to reject different frequencies of noise. The 0.1- μ F and 1- μ F capacitors are commonly used in parallel. The bypass capacitor should be installed as close to the power terminal as possible for best results, as shown in [図 11-1](#).

11 Layout

11.1 Layout Guidelines

When using multiple-input and multiple-channel logic devices inputs must not ever be left floating. In many cases, functions or parts of functions of digital logic devices are unused; for example, when only two inputs of a triple-input AND gate are used. Such unused input pins must not be left unconnected because the undefined voltages at the outside connections result in undefined operational states. All unused inputs of digital logic devices must be connected to a logic high or logic low voltage, as defined by the input voltage specifications, to prevent them from floating. The logic level that must be applied to any particular unused input depends on the function of the device. Generally, the inputs are tied to GND or V_{CC} , whichever makes more sense for the logic function or is more convenient.

11.2 Layout Example



11-1. Example layout for the SN74HC74

12 Device and Documentation Support

12.1 Documentation Support

12.1.1 Related Documentation

For related documentation see the following:

- [HCMOS Design Considerations](#)
- [CMOS Power Consumption and CPD Calculation](#)
- [Designing with Logic](#)

12.2 サポート・リソース

TI E2E™ サポート・フォーラムは、エンジニアが検証済みの回答と設計に関するヒントをエキスパートから迅速かつ直接得ることができる場所です。既存の回答を検索したり、独自の質問をしたりすることで、設計に必要な支援を迅速に得ることができます。

リンクされているコンテンツは、該当する貢献者により、現状のまま提供されるものです。これらは TI の仕様を構成するものではなく、必ずしも TI の見解を反映したものではありません。TI の[使用条件](#)を参照してください。

12.3 Trademarks

TI E2E™ is a trademark of Texas Instruments.

すべての商標は、それぞれの所有者に帰属します。

12.4 静電気放電に関する注意事項



この IC は、ESD によって破損する可能性があります。テキサス・インスツルメンツは、IC を取り扱う際には常に適切な注意を払うことを推奨します。正しい ESD 対策をとらないと、デバイスを破損するおそれがあります。

ESD による破損は、わずかな性能低下からデバイスの完全な故障まで多岐にわたります。精密な IC の場合、パラメータがわずかに変化するだけで公表されている仕様から外れる可能性があるため、破損が発生しやすくなっています。

12.5 用語集

TI 用語集 この用語集には、用語や略語の一覧および定義が記載されています。

13 Mechanical, Packaging, and Orderable Information

The following pages include mechanical, packaging, and orderable information. This information is the most current data available for the designated devices. This data is subject to change without notice and revision of this document. For browser-based versions of this data sheet, refer to the left-hand navigation.

PACKAGING INFORMATION

| Orderable part number | Status (1) | Material type (2) | Package Pins | Package qty Carrier | RoHS (3) | Lead finish/ Ball material (4) | MSL rating/ Peak reflow (5) | Op temp (°C) | Part marking (6) |
|----------------------------------|---------------|----------------------|----------------|-----------------------|-------------|--------------------------------------|-----------------------------------|--------------|------------------------------------|
| 5962-8405601VCA | Active | Production | CDIP (J) 14 | 25 TUBE | No | SNPB | N/A for Pkg Type | -55 to 125 | 5962-8405601VCA A SNV54HC74J |
| 5962-8405601VCA.A | Active | Production | CDIP (J) 14 | 25 TUBE | No | SNPB | N/A for Pkg Type | -55 to 125 | 5962-8405601VCA A SNV54HC74J |
| 5962-8405601VDA | Active | Production | CFP (W) 14 | 25 TUBE | No | SNPB | N/A for Pkg Type | -55 to 125 | 5962-8405601VDA A SNV54HC74W |
| 5962-8405601VDA.A | Active | Production | CFP (W) 14 | 25 TUBE | No | SNPB | N/A for Pkg Type | -55 to 125 | 5962-8405601VDA A SNV54HC74W |
| 84056012A | Active | Production | LCCC (FK) 20 | 55 TUBE | No | SNPB | N/A for Pkg Type | -55 to 125 | 84056012A SNJ54HC 74FK |
| 8405601CA | Active | Production | CDIP (J) 14 | 25 TUBE | No | SNPB | N/A for Pkg Type | -55 to 125 | 8405601CA SNJ54HC74J |
| 8405601DA | Active | Production | CFP (W) 14 | 25 TUBE | No | SNPB | N/A for Pkg Type | -55 to 125 | 8405601DA SNJ54HC74W |
| JM38510/65302B2A | NRND | Production | LCCC (FK) 20 | 55 TUBE | No | SNPB | N/A for Pkg Type | -55 to 125 | JM38510/ 65302B2A |
| JM38510/65302B2A.A | NRND | Production | LCCC (FK) 20 | 55 TUBE | No | SNPB | N/A for Pkg Type | -55 to 125 | JM38510/ 65302B2A |
| JM38510/65302BCA | Active | Production | CDIP (J) 14 | 25 TUBE | No | SNPB | N/A for Pkg Type | -55 to 125 | JM38510/ 65302BCA |
| JM38510/65302BCA.A | Active | Production | CDIP (J) 14 | 25 TUBE | No | SNPB | N/A for Pkg Type | -55 to 125 | JM38510/ 65302BCA |
| JM38510/65302BDA | Active | Production | CFP (W) 14 | 25 TUBE | No | SNPB | N/A for Pkg Type | -55 to 125 | JM38510/ 65302BDA |
| JM38510/65302BDA.A | Active | Production | CFP (W) 14 | 25 TUBE | No | SNPB | N/A for Pkg Type | -55 to 125 | JM38510/ 65302BDA |
| M38510/65302B2A | NRND | Production | LCCC (FK) 20 | 55 TUBE | No | SNPB | N/A for Pkg Type | -55 to 125 | JM38510/ 65302B2A |

| Orderable part number | Status (1) | Material type (2) | Package Pins | Package qty Carrier | RoHS (3) | Lead finish/ Ball material (4) | MSL rating/ Peak reflow (5) | Op temp (°C) | Part marking (6) |
|---------------------------------|---------------|----------------------|-----------------|-----------------------|-------------|--------------------------------------|-----------------------------------|--------------|------------------------------|
| M38510/65302BCA | Active | Production | CDIP (J) 14 | 25 TUBE | No | SNPB | N/A for Pkg Type | -55 to 125 | JM38510/ 65302BCA |
| M38510/65302BDA | Active | Production | CFP (W) 14 | 25 TUBE | No | SNPB | N/A for Pkg Type | -55 to 125 | JM38510/ 65302BDA |
| SN54HC74J | Active | Production | CDIP (J) 14 | 25 TUBE | No | SNPB | N/A for Pkg Type | -55 to 125 | SN54HC74J |
| SN54HC74J.A | Active | Production | CDIP (J) 14 | 25 TUBE | No | SNPB | N/A for Pkg Type | -55 to 125 | SN54HC74J |
| SN74HC74D | Obsolete | Production | SOIC (D) 14 | - | - | Call TI | Call TI | -40 to 85 | HC74 |
| SN74HC74DBR | Active | Production | SSOP (DB) 14 | 2000 LARGE T&R | Yes | NIPDAU | Level-1-260C-UNLIM | -40 to 85 | HC74 |
| SN74HC74DBR.A | Active | Production | SSOP (DB) 14 | 2000 LARGE T&R | Yes | NIPDAU | Level-1-260C-UNLIM | -40 to 85 | HC74 |
| SN74HC74DBRG4 | Active | Production | SSOP (DB) 14 | 2000 LARGE T&R | Yes | NIPDAU | Level-1-260C-UNLIM | -40 to 85 | HC74 |
| SN74HC74DR | Active | Production | SOIC (D) 14 | 2500 LARGE T&R | Yes | NIPDAU SN | Level-1-260C-UNLIM | -40 to 85 | HC74 |
| SN74HC74DR.A | Active | Production | SOIC (D) 14 | 2500 LARGE T&R | Yes | NIPDAU | Level-1-260C-UNLIM | -40 to 85 | HC74 |
| SN74HC74DRG4 | Active | Production | SOIC (D) 14 | 2500 LARGE T&R | Yes | NIPDAU | Level-1-260C-UNLIM | -40 to 85 | HC74 |
| SN74HC74DRG4.A | Active | Production | SOIC (D) 14 | 2500 LARGE T&R | Yes | NIPDAU | Level-1-260C-UNLIM | -40 to 85 | HC74 |
| SN74HC74DT | Obsolete | Production | SOIC (D) 14 | - | - | Call TI | Call TI | -40 to 85 | HC74 |
| SN74HC74N | Active | Production | PDIP (N) 14 | 25 TUBE | Yes | NIPDAU | N/A for Pkg Type | -40 to 85 | SN74HC74N |
| SN74HC74N.A | Active | Production | PDIP (N) 14 | 25 TUBE | Yes | NIPDAU | N/A for Pkg Type | -40 to 85 | SN74HC74N |
| SN74HC74NE4 | Active | Production | PDIP (N) 14 | 25 TUBE | Yes | NIPDAU | N/A for Pkg Type | -40 to 85 | SN74HC74N |
| SN74HC74NSR | Active | Production | SOP (NS) 14 | 2000 LARGE T&R | Yes | NIPDAU | Level-1-260C-UNLIM | -40 to 85 | HC74 |
| SN74HC74NSR.A | Active | Production | SOP (NS) 14 | 2000 LARGE T&R | Yes | NIPDAU | Level-1-260C-UNLIM | -40 to 85 | HC74 |
| SN74HC74NSRG4 | Active | Production | SOP (NS) 14 | 2000 LARGE T&R | Yes | NIPDAU | Level-1-260C-UNLIM | -40 to 85 | HC74 |
| SN74HC74NSRG4.A | Active | Production | SOP (NS) 14 | 2000 LARGE T&R | Yes | NIPDAU | Level-1-260C-UNLIM | -40 to 85 | HC74 |
| SN74HC74PW | Obsolete | Production | TSSOP (PW) 14 | - | - | Call TI | Call TI | -40 to 85 | HC74 |
| SN74HC74PWR | Active | Production | TSSOP (PW) 14 | 2000 LARGE T&R | Yes | NIPDAU SN | Level-1-260C-UNLIM | -40 to 85 | HC74 |
| SN74HC74PWR.A | Active | Production | TSSOP (PW) 14 | 2000 LARGE T&R | Yes | NIPDAU | Level-1-260C-UNLIM | -40 to 85 | HC74 |
| SN74HC74PWR1G4 | Active | Production | TSSOP (PW) 14 | 2000 LARGE T&R | Yes | NIPDAU | Level-1-260C-UNLIM | -40 to 85 | HC74 |
| SN74HC74PWR1G4.A | Active | Production | TSSOP (PW) 14 | 2000 LARGE T&R | Yes | NIPDAU | Level-1-260C-UNLIM | -40 to 85 | HC74 |
| SN74HC74PWT | Obsolete | Production | TSSOP (PW) 14 | - | - | Call TI | Call TI | -40 to 85 | HC74 |
| SNJ54HC74FK | Active | Production | LCCC (FK) 20 | 55 TUBE | No | SNPB | N/A for Pkg Type | -55 to 125 | 84056012A SNJ54HC 74FK |

| Orderable part number | Status (1) | Material type (2) | Package Pins | Package qty Carrier | RoHS (3) | Lead finish/ Ball material (4) | MSL rating/ Peak reflow (5) | Op temp (°C) | Part marking (6) |
|----------------------------|---------------|----------------------|----------------|-----------------------|-------------|--------------------------------------|-----------------------------------|--------------|------------------------------|
| SNJ54HC74FK.A | Active | Production | LCCC (FK) 20 | 55 TUBE | No | SNPB | N/A for Pkg Type | -55 to 125 | 84056012A SNJ54HC 74FK |
| SNJ54HC74J | Active | Production | CDIP (J) 14 | 25 TUBE | No | SNPB | N/A for Pkg Type | -55 to 125 | 8405601CA SNJ54HC74J |
| SNJ54HC74J.A | Active | Production | CDIP (J) 14 | 25 TUBE | No | SNPB | N/A for Pkg Type | -55 to 125 | 8405601CA SNJ54HC74J |
| SNJ54HC74W | Active | Production | CFP (W) 14 | 25 TUBE | No | SNPB | N/A for Pkg Type | -55 to 125 | 8405601DA SNJ54HC74W |
| SNJ54HC74W.A | Active | Production | CFP (W) 14 | 25 TUBE | No | SNPB | N/A for Pkg Type | -55 to 125 | 8405601DA SNJ54HC74W |

(1) **Status:** For more details on status, see our [product life cycle](#).

(2) **Material type:** When designated, preproduction parts are prototypes/experimental devices, and are not yet approved or released for full production. Testing and final process, including without limitation quality assurance, reliability performance testing, and/or process qualification, may not yet be complete, and this item is subject to further changes or possible discontinuation. If available for ordering, purchases will be subject to an additional waiver at checkout, and are intended for early internal evaluation purposes only. These items are sold without warranties of any kind.

(3) **RoHS values:** Yes, No, RoHS Exempt. See the [TI RoHS Statement](#) for additional information and value definition.

(4) **Lead finish/Ball material:** Parts may have multiple material finish options. Finish options are separated by a vertical ruled line. Lead finish/Ball material values may wrap to two lines if the finish value exceeds the maximum column width.

(5) **MSL rating/Peak reflow:** The moisture sensitivity level ratings and peak solder (reflow) temperatures. In the event that a part has multiple moisture sensitivity ratings, only the lowest level per JEDEC standards is shown. Refer to the shipping label for the actual reflow temperature that will be used to mount the part to the printed circuit board.

(6) **Part marking:** There may be an additional marking, which relates to the logo, the lot trace code information, or the environmental category of the part.

Multiple part markings will be inside parentheses. Only one part marking contained in parentheses and separated by a "~" will appear on a part. If a line is indented then it is a continuation of the previous line and the two combined represent the entire part marking for that device.

Important Information and Disclaimer: The information provided on this page represents TI's knowledge and belief as of the date that it is provided. TI bases its knowledge and belief on information provided by third parties, and makes no representation or warranty as to the accuracy of such information. Efforts are underway to better integrate information from third parties. TI has taken and continues to take reasonable steps to provide representative and accurate information but may not have conducted destructive testing or chemical analysis on incoming materials and chemicals. TI and TI suppliers consider certain information to be proprietary, and thus CAS numbers and other limited information may not be available for release.

In no event shall TI's liability arising out of such information exceed the total purchase price of the TI part(s) at issue in this document sold by TI to Customer on an annual basis.

OTHER QUALIFIED VERSIONS OF SN54HC74, SN54HC74-SP, SN74HC74 :

- Catalog : [SN74HC74](#), [SN54HC74](#)

- Automotive : [SN74HC74-Q1](#), [SN74HC74-Q1](#)

- Enhanced Product : [SN74HC74-EP](#), [SN74HC74-EP](#)

- Military : [SN54HC74](#)

- Space : [SN54HC74-SP](#)

NOTE: Qualified Version Definitions:

- Catalog - TI's standard catalog product

- Automotive - Q100 devices qualified for high-reliability automotive applications targeting zero defects

- Enhanced Product - Supports Defense, Aerospace and Medical Applications

- Military - QML certified for Military and Defense Applications

- Space - Radiation tolerant, ceramic packaging and qualified for use in Space-based application

TAPE AND REEL INFORMATION

QUADRANT ASSIGNMENTS FOR PIN 1 ORIENTATION IN TAPE


*All dimensions are nominal

| Device | Package Type | Package Drawing | Pins | SPQ | Reel Diameter (mm) | Reel Width W1 (mm) | A0 (mm) | B0 (mm) | K0 (mm) | P1 (mm) | W (mm) | Pin1 Quadrant |
|----------------|--------------|-----------------|------|------|--------------------|--------------------|---------|---------|---------|---------|--------|---------------|
| SN74HC74DBR | SSOP | DB | 14 | 2000 | 330.0 | 16.4 | 8.35 | 6.6 | 2.4 | 12.0 | 16.0 | Q1 |
| SN74HC74DR | SOIC | D | 14 | 2500 | 330.0 | 16.4 | 6.5 | 9.0 | 2.1 | 8.0 | 16.0 | Q1 |
| SN74HC74DR | SOIC | D | 14 | 2500 | 330.0 | 16.4 | 6.5 | 9.0 | 2.1 | 8.0 | 16.0 | Q1 |
| SN74HC74DRG4 | SOIC | D | 14 | 2500 | 330.0 | 16.4 | 6.5 | 9.0 | 2.1 | 8.0 | 16.0 | Q1 |
| SN74HC74NSR | SOP | NS | 14 | 2000 | 330.0 | 16.4 | 8.45 | 10.55 | 2.5 | 12.0 | 16.2 | Q1 |
| SN74HC74NSRG4 | SOP | NS | 14 | 2000 | 330.0 | 16.4 | 8.45 | 10.55 | 2.5 | 12.0 | 16.2 | Q1 |
| SN74HC74PWR | TSSOP | PW | 14 | 2000 | 330.0 | 12.4 | 6.9 | 5.6 | 1.6 | 8.0 | 12.0 | Q1 |
| SN74HC74PWR1G4 | TSSOP | PW | 14 | 2000 | 330.0 | 12.4 | 6.9 | 5.6 | 1.6 | 8.0 | 12.0 | Q1 |

TAPE AND REEL BOX DIMENSIONS


*All dimensions are nominal

| Device | Package Type | Package Drawing | Pins | SPQ | Length (mm) | Width (mm) | Height (mm) |
|----------------|--------------|-----------------|------|------|-------------|------------|-------------|
| SN74HC74DBR | SSOP | DB | 14 | 2000 | 353.0 | 353.0 | 32.0 |
| SN74HC74DR | SOIC | D | 14 | 2500 | 340.5 | 336.1 | 32.0 |
| SN74HC74DR | SOIC | D | 14 | 2500 | 340.5 | 336.1 | 32.0 |
| SN74HC74DRG4 | SOIC | D | 14 | 2500 | 340.5 | 336.1 | 32.0 |
| SN74HC74NSR | SOP | NS | 14 | 2000 | 353.0 | 353.0 | 32.0 |
| SN74HC74NSRG4 | SOP | NS | 14 | 2000 | 353.0 | 353.0 | 32.0 |
| SN74HC74PWR | TSSOP | PW | 14 | 2000 | 356.0 | 356.0 | 35.0 |
| SN74HC74PWR1G4 | TSSOP | PW | 14 | 2000 | 353.0 | 353.0 | 32.0 |

TUBE


*All dimensions are nominal

| Device | Package Name | Package Type | Pins | SPQ | L (mm) | W (mm) | T (μm) | B (mm) |
|--------------------|--------------|--------------|------|-----|--------|--------|--------|--------|
| 5962-8405601VDA | W | CFP | 14 | 25 | 506.98 | 26.16 | 6220 | NA |
| 5962-8405601VDA.A | W | CFP | 14 | 25 | 506.98 | 26.16 | 6220 | NA |
| 84056012A | FK | LCCC | 20 | 55 | 506.98 | 12.06 | 2030 | NA |
| 8405601DA | W | CFP | 14 | 25 | 506.98 | 26.16 | 6220 | NA |
| JM38510/65302B2A | FK | LCCC | 20 | 55 | 506.98 | 12.06 | 2030 | NA |
| JM38510/65302B2A.A | FK | LCCC | 20 | 55 | 506.98 | 12.06 | 2030 | NA |
| JM38510/65302BDA | W | CFP | 14 | 25 | 506.98 | 26.16 | 6220 | NA |
| JM38510/65302BDA.A | W | CFP | 14 | 25 | 506.98 | 26.16 | 6220 | NA |
| M38510/65302B2A | FK | LCCC | 20 | 55 | 506.98 | 12.06 | 2030 | NA |
| M38510/65302BDA | W | CFP | 14 | 25 | 506.98 | 26.16 | 6220 | NA |
| SN74HC74N | N | PDIP | 14 | 25 | 506 | 13.97 | 11230 | 4.32 |
| SN74HC74N | N | PDIP | 14 | 25 | 506 | 13.97 | 11230 | 4.32 |
| SN74HC74N.A | N | PDIP | 14 | 25 | 506 | 13.97 | 11230 | 4.32 |
| SN74HC74N.A | N | PDIP | 14 | 25 | 506 | 13.97 | 11230 | 4.32 |
| SN74HC74NE4 | N | PDIP | 14 | 25 | 506 | 13.97 | 11230 | 4.32 |
| SN74HC74NE4 | N | PDIP | 14 | 25 | 506 | 13.97 | 11230 | 4.32 |
| SNJ54HC74FK | FK | LCCC | 20 | 55 | 506.98 | 12.06 | 2030 | NA |
| SNJ54HC74FK.A | FK | LCCC | 20 | 55 | 506.98 | 12.06 | 2030 | NA |
| SNJ54HC74W | W | CFP | 14 | 25 | 506.98 | 26.16 | 6220 | NA |
| SNJ54HC74W.A | W | CFP | 14 | 25 | 506.98 | 26.16 | 6220 | NA |

W (R-GDFP-F14)

CERAMIC DUAL FLATPACK



4040180-2/F 04/14

- NOTES:
- A. All linear dimensions are in inches (millimeters).
 - B. This drawing is subject to change without notice.
 - C. This package can be hermetically sealed with a ceramic lid using glass frit.
 - D. Index point is provided on cap for terminal identification only.
 - E. Falls within MIL STD 1835 GDFP1-F14

DB0014A



PACKAGE OUTLINE

SSOP - 2 mm max height

SMALL OUTLINE PACKAGE



NOTES:

1. All linear dimensions are in millimeters. Any dimensions in parenthesis are for reference only. Dimensioning and tolerancing per ASME Y14.5M.
2. This drawing is subject to change without notice.
3. This dimension does not include mold flash, protrusions, or gate burrs. Mold flash, protrusions, or gate burrs shall not exceed 0.15 mm per side.
4. Reference JEDEC registration MO-150.

EXAMPLE BOARD LAYOUT

DB0014A

SSOP - 2 mm max height

SMALL OUTLINE PACKAGE



LAND PATTERN EXAMPLE
EXPOSED METAL SHOWN
SCALE: 10X



4220762/A 05/2024

NOTES: (continued)

- 5. Publication IPC-7351 may have alternate designs.
- 6. Solder mask tolerances between and around signal pads can vary based on board fabrication site.

EXAMPLE STENCIL DESIGN

DB0014A

SSOP - 2 mm max height

SMALL OUTLINE PACKAGE



SOLDER PASTE EXAMPLE
BASED ON 0.125 mm THICK STENCIL
SCALE: 10X

4220762/A 05/2024

NOTES: (continued)

7. Laser cutting apertures with trapezoidal walls and rounded corners may offer better paste release. IPC-7525 may have alternate design recommendations.
8. Board assembly site may have different recommendations for stencil design.

GENERIC PACKAGE VIEW

FK 20

LCCC - 2.03 mm max height

8.89 x 8.89, 1.27 mm pitch

LEADLESS CERAMIC CHIP CARRIER

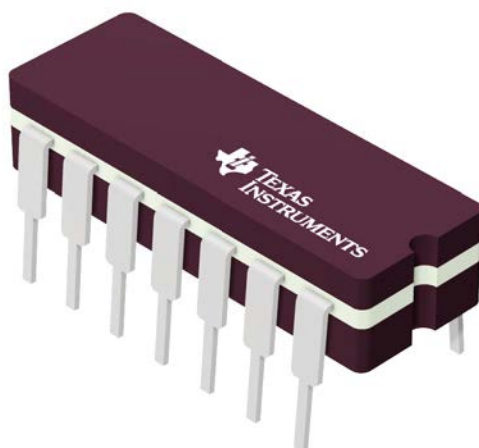
This image is a representation of the package family, actual package may vary.
Refer to the product data sheet for package details.



4229370VA\

J 14

GENERIC PACKAGE VIEW
CDIP - 5.08 mm max height
CERAMIC DUAL IN LINE PACKAGE



Images above are just a representation of the package family, actual package may vary.
Refer to the product data sheet for package details.

4040083-5/G

J0014A



PACKAGE OUTLINE

CDIP - 5.08 mm max height

CERAMIC DUAL IN LINE PACKAGE



4214771/A 05/2017

NOTES:

1. All controlling linear dimensions are in inches. Dimensions in brackets are in millimeters. Any dimension in brackets or parenthesis are for reference only. Dimensioning and tolerancing per ASME Y14.5M.
2. This drawing is subject to change without notice.
3. This package is hermetically sealed with a ceramic lid using glass frit.
4. Index point is provided on cap for terminal identification only and on press ceramic glass frit seal only.
5. Falls within MIL-STD-1835 and GDIP1-T14.

EXAMPLE BOARD LAYOUT

J0014A

CDIP - 5.08 mm max height

CERAMIC DUAL IN LINE PACKAGE



LAND PATTERN EXAMPLE
NON-SOLDER MASK DEFINED
SCALE: 5X

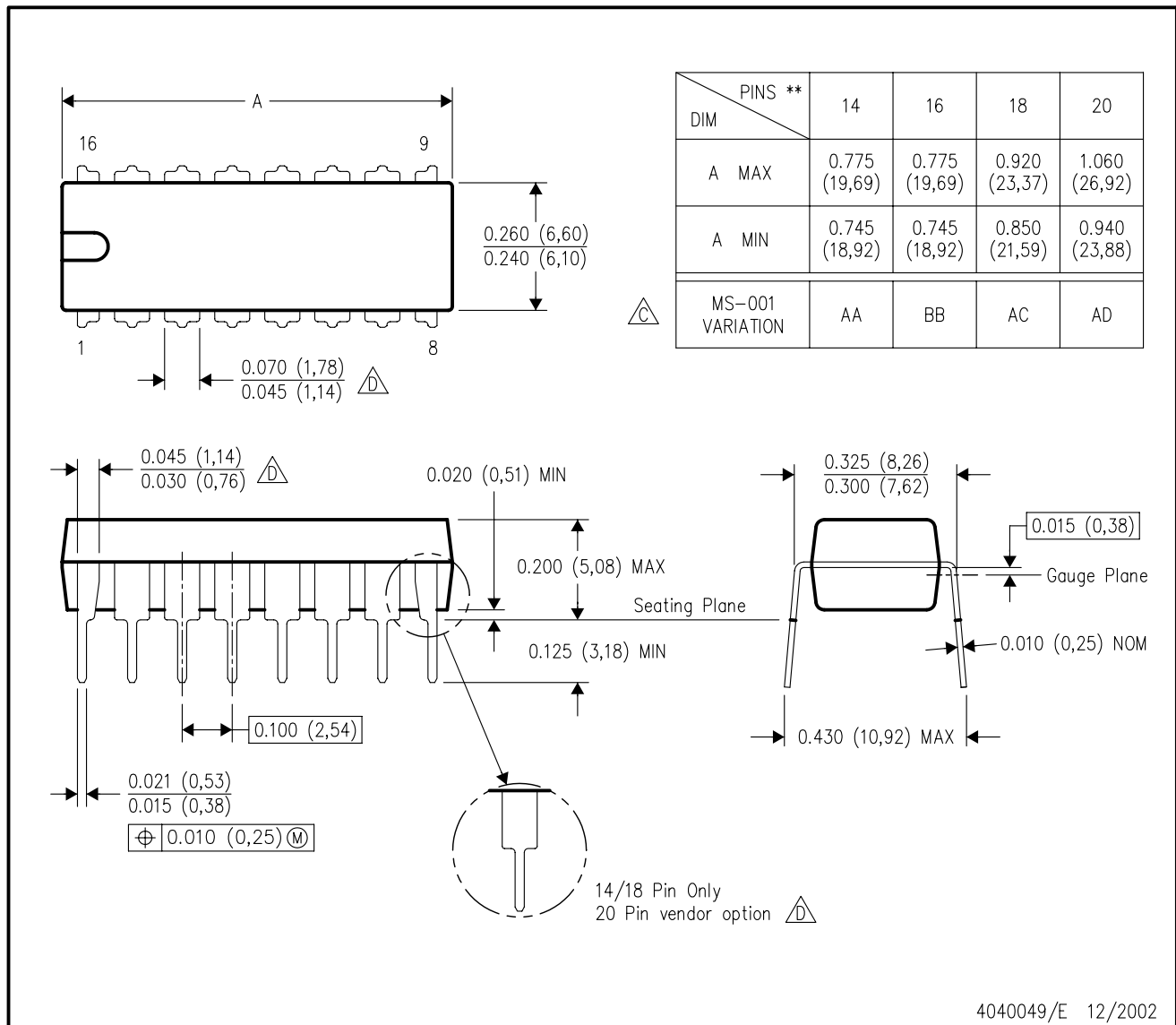


4214771/A 05/2017

N (R-PDIP-T**)

PLASTIC DUAL-IN-LINE PACKAGE

16 PINS SHOWN



- NOTES:
- A. All linear dimensions are in inches (millimeters).
 - B. This drawing is subject to change without notice.
 - Falls within JEDEC MS-001, except 18 and 20 pin minimum body length (Dim A).
 - The 20 pin end lead shoulder width is a vendor option, either half or full width.

PW0014A



PACKAGE OUTLINE
TSSOP - 1.2 mm max height

SMALL OUTLINE PACKAGE



4220202/B 12/2023

NOTES:

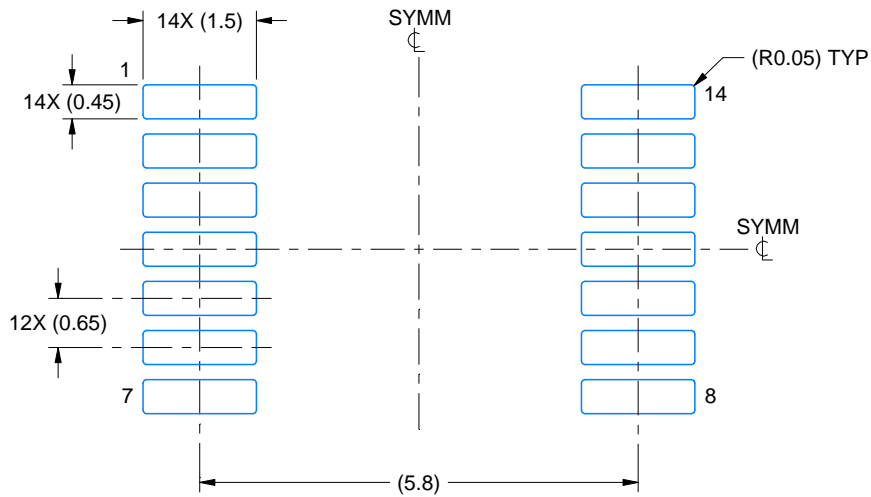
1. All linear dimensions are in millimeters. Any dimensions in parenthesis are for reference only. Dimensioning and tolerancing per ASME Y14.5M.
2. This drawing is subject to change without notice.
3. This dimension does not include mold flash, protrusions, or gate burrs. Mold flash, protrusions, or gate burrs shall not exceed 0.15 mm per side.
4. This dimension does not include interlead flash. Interlead flash shall not exceed 0.25 mm per side.
5. Reference JEDEC registration MO-153.

EXAMPLE BOARD LAYOUT

PW0014A

TSSOP - 1.2 mm max height

SMALL OUTLINE PACKAGE



LAND PATTERN EXAMPLE
EXPOSED METAL SHOWN
SCALE: 10X



4220202/B 12/2023

NOTES: (continued)

- 6. Publication IPC-7351 may have alternate designs.
- 7. Solder mask tolerances between and around signal pads can vary based on board fabrication site.

EXAMPLE STENCIL DESIGN

PW0014A

TSSOP - 1.2 mm max height

SMALL OUTLINE PACKAGE



SOLDER PASTE EXAMPLE
BASED ON 0.125 mm THICK STENCIL
SCALE: 10X

4220202/B 12/2023

NOTES: (continued)

8. Laser cutting apertures with trapezoidal walls and rounded corners may offer better paste release. IPC-7525 may have alternate design recommendations.
9. Board assembly site may have different recommendations for stencil design.



D0014A

PACKAGE OUTLINE

SOIC - 1.75 mm max height

SMALL OUTLINE INTEGRATED CIRCUIT



4220718/A 09/2016

NOTES:

1. All linear dimensions are in millimeters. Dimensions in parenthesis are for reference only. Dimensioning and tolerancing per ASME Y14.5M.
2. This drawing is subject to change without notice.
3. This dimension does not include mold flash, protrusions, or gate burrs. Mold flash, protrusions, or gate burrs shall not exceed 0.15 mm, per side.
4. This dimension does not include interlead flash. Interlead flash shall not exceed 0.43 mm, per side.
5. Reference JEDEC registration MS-012, variation AB.

EXAMPLE BOARD LAYOUT

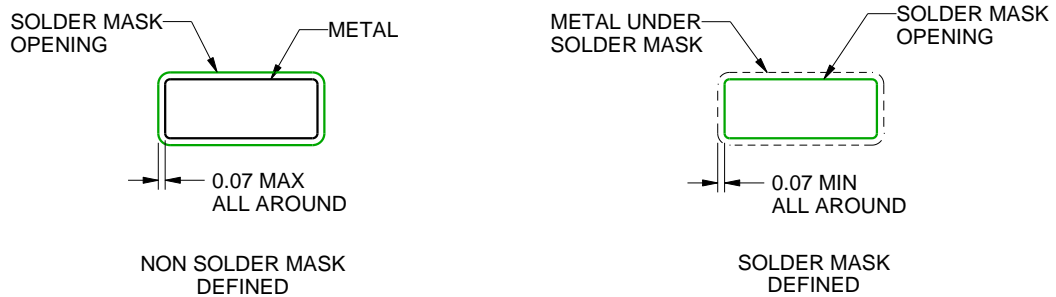
D0014A

SOIC - 1.75 mm max height

SMALL OUTLINE INTEGRATED CIRCUIT



LAND PATTERN EXAMPLE
SCALE:8X



SOLDER MASK DETAILS

4220718/A 09/2016

NOTES: (continued)

- 6. Publication IPC-7351 may have alternate designs.
- 7. Solder mask tolerances between and around signal pads can vary based on board fabrication site.

EXAMPLE STENCIL DESIGN

D0014A

SOIC - 1.75 mm max height

SMALL OUTLINE INTEGRATED CIRCUIT



SOLDER PASTE EXAMPLE
BASED ON 0.125 mm THICK STENCIL
SCALE:8X

4220718/A 09/2016

NOTES: (continued)

8. Laser cutting apertures with trapezoidal walls and rounded corners may offer better paste release. IPC-7525 may have alternate design recommendations.
9. Board assembly site may have different recommendations for stencil design.

MECHANICAL DATA

NS (R-PDSO-G**)

PLASTIC SMALL-OUTLINE PACKAGE

14-PINS SHOWN



- NOTES:
- A. All linear dimensions are in millimeters.
 - B. This drawing is subject to change without notice.
 - C. Body dimensions do not include mold flash or protrusion, not to exceed 0,15.

重要なお知らせと免責事項

TI は、技術データと信頼性データ (データシートを含みます)、設計リソース (リファレンス デザインを含みます)、アプリケーションや設計に関する各種アドバイス、Web ツール、安全性情報、その他のリソースを、欠陥が存在する可能性のある「現状のまま」提供しており、商品性および特定目的に対する適合性の黙示保証、第三者の知的財産権の非侵害保証を含むいかなる保証も、明示的または黙示的にかかわらず拒否します。

これらのリソースは、TI 製品を使用する設計の経験を積んだ開発者への提供を意図したものです。(1) お客様のアプリケーションに適した TI 製品の選定、(2) お客様のアプリケーションの設計、検証、試験、(3) お客様のアプリケーションに該当する各種規格や、その他のあらゆる安全性、セキュリティ、規制、または他の要件への確実な適合に関する責任を、お客様のみが単独で負うものとし、

上記の各種リソースは、予告なく変更される可能性があります。これらのリソースは、リソースで説明されている TI 製品を使用するアプリケーションの開発の目的でのみ、TI はその使用をお客様に許諾します。これらのリソースに関して、他の目的で複製することや掲載することは禁止されています。TI や第三者の知的財産権のライセンスが付与されている訳ではありません。お客様は、これらのリソースを自身で使用した結果発生するあらゆる申し立て、損害、費用、損失、責任について、TI およびその代理人を完全に補償するものとし、TI は一切の責任を拒否します。

TI の製品は、[TI の販売条件](#)、[TI の総合的な品質ガイドライン](#)、[ti.com](#) または TI 製品などに関連して提供される他の適用条件に従い提供されます。TI がこれらのリソースを提供することは、適用される TI の保証または他の保証の放棄の拡大や変更を意味するものではありません。TI がカスタム、またはカスタマー仕様として明示的に指定していない限り、TI の製品は標準的なカタログに掲載される汎用機器です。

お客様がいかなる追加条項または代替条項を提案する場合も、TI はそれらに異議を唱え、拒否します。

Copyright © 2026, Texas Instruments Incorporated

最終更新日 : 2025 年 10 月