

LOW-DISTORTION, HIGH-SPEED, VOLTAGE FEEDBACK AMPLIFIER

Check for Samples: [THS4211](#) [THS4215](#)

FEATURES

- **Unity-Gain Stability**
- **Wide Bandwidth: 1 GHz**
- **High Slew Rate: 970 V/ μ s**
- **Low Distortion:**
 - **–90 dBc THD at 30 MHz**
 - **130-MHz Bandwidth (0.1 dB, G = 2)**
 - **0.007% Differential Gain**
 - **0.003° Differential Phase**
- **High Output Drive, $I_O = 170$ mA**
- **Excellent Video Performance:**
 - **130-MHz Bandwidth (0.1 dB, G = 2)**
 - **0.007% Differential Gain**
 - **0.003° Differential Phase**
- **Supply Voltages**
 - **+5 V, \pm 5 V, +12 V, +15 V**
- **Power Down Functionality (THS4215)**
- **Evaluation Module Available**

APPLICATIONS

- **High Linearity ADC Preamplifier**
- **Differential to Single-Ended Conversion**
- **DAC Output Buffer**
- **Active Filtering**
- **Video Applications**

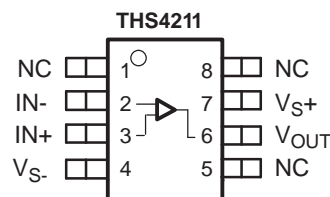
DESCRIPTION

The THS4211 and THS4215 are high slew rate, unity-gain stable, voltage feedback amplifiers designed to run from supply voltages as low as 5 V and as high as 15 V. The THS4215 offers the same performance as the THS4211 with the addition of power-down capability. The combination of high slew rate, wide bandwidth, low distortion, and unity-gain stability make the THS4211 and THS4215 high-performance devices across multiple ac specifications.

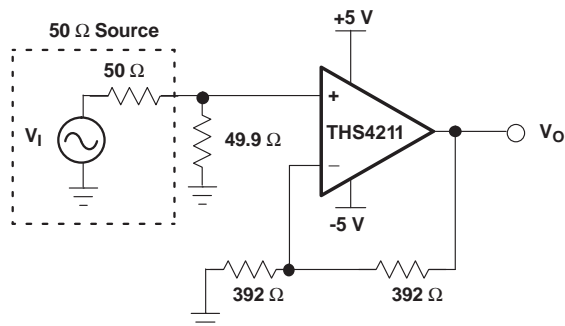
Designers using the THS4211 are rewarded with higher dynamic range over a wider frequency band without the stability concerns of decompensated amplifiers. These devices are available in SOIC, MSOP with PowerPAD™, and leadless MSOP with PowerPAD packages.

RELATED DEVICES

| DEVICE | DESCRIPTION |
|-------------------------|---|
| THS4271 | 1.4-GHz voltage feedback amplifier |
| THS4503 | Wideband, fully differential amplifier |
| THS3202 | Dual, wideband current feedback amplifier |

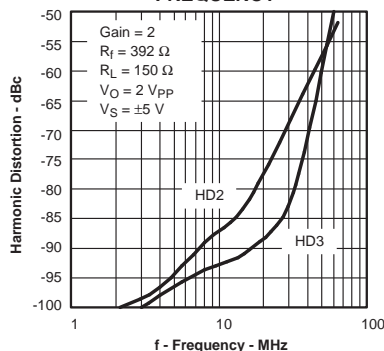


Low-Distortion, Wideband Application Circuit



NOTE: Power supply decoupling capacitors not shown

HARMONIC DISTORTION
vs
FREQUENCY



Please be aware that an important notice concerning availability, standard warranty, and use in critical applications of Texas Instruments semiconductor products and disclaimers thereto appears at the end of this data sheet.

PowerPAD is a trademark of Texas Instruments.

All other trademarks are the property of their respective owners.



This integrated circuit can be damaged by ESD. Texas Instruments recommends that all integrated circuits be handled with appropriate precautions. Failure to observe proper handling and installation procedures can cause damage.

ESD damage can range from subtle performance degradation to complete device failure. Precision integrated circuits may be more susceptible to damage because very small parametric changes could cause the device not to meet its published specifications.

ABSOLUTE MAXIMUM RATINGS

Over operating free-air temperature range (unless otherwise noted).⁽¹⁾

| | | UNIT |
|--|-----|---|
| Supply voltage, V_S | | 16.5 V |
| Input voltage, V_I | | $\pm V_S$ |
| Output current, I_O | | 250 mA |
| Continuous power dissipation | | See Dissipation Ratings Table |
| Maximum junction temperature, T_J ⁽²⁾ | | +150°C |
| Maximum junction temperature, continuous operation, long-term reliability T_J ⁽³⁾ | | +125°C |
| Storage temperature range, T_{stg} | | -65°C to +150°C |
| ESD ratings | HBM | 4000 V |
| | CDM | 1500 V |
| | MM | 200 V |

- (1) Stresses above these ratings may cause permanent damage. Exposure to absolute maximum conditions for extended periods may degrade device reliability. These are stress ratings only, and functional operation of the device at these or any other conditions beyond those specified is not implied.
- (2) The absolute maximum ratings under any condition is limited by the constraints of the silicon process. Stresses above these ratings may cause permanent damage. Exposure to absolute maximum conditions for extended periods may degrade device reliability. These are stress ratings only, and functional operation of the device at these or any other conditions beyond those specified is not implied.
- (3) The maximum junction temperature for continuous operation is limited by package constraints. Operation above this temperature may result in reduced reliability and/or lifetime of the device.

PACKAGE DISSIPATION RATINGS⁽¹⁾

| PACKAGE | θ_{JC} (°C/W) | θ_{JA} ⁽²⁾ (°C/W) | POWER RATING ⁽³⁾ | |
|----------------------------|-------------------------|--|------------------------------|---------------------------|
| | | | $T_A \leq +25^\circ\text{C}$ | $T_A = +85^\circ\text{C}$ |
| D (8-pin) | 38.3 | 97.5 | 1.02 W | 410 mW |
| DGN (8-pin) ⁽¹⁾ | 4.7 | 58.4 | 1.71 W | 685 mW |
| DGK (8-pin) | 54.2 | 260 | 385 mW | 154 mW |
| DRB (8-pin) | 5 | 45.8 | 2.18 W | 873 mW |

- (1) The THS4211/5 may incorporate a PowerPAD™ on the underside of the chip. This acts as a heat sink and must be connected to a thermally dissipative plane for proper power dissipation. Failure to do so may result in exceeding the maximum junction temperature which could permanently damage the device. See TI technical briefs [SLMA002](#) and [SLMA004](#) for more information about utilizing the PowerPAD thermally enhanced package.
- (2) This data was taken using the JEDEC standard High-K test PCB.
- (3) Power rating is determined with a junction temperature of +125°C. This is the point where distortion starts to substantially increase. Thermal management of the final PCB should strive to keep the junction temperature at or below +125°C for best performance and long term reliability.

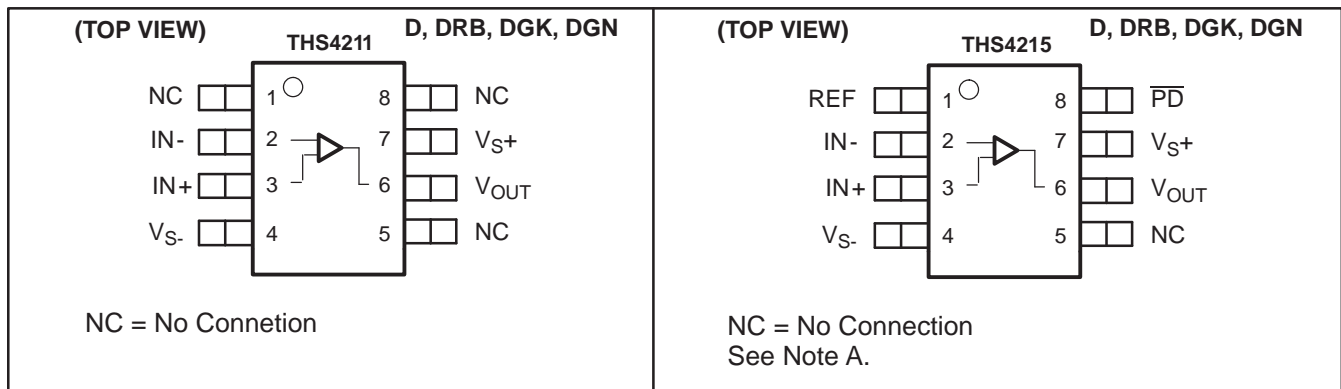
RECOMMENDED OPERATING CONDITIONS

| | | MIN | MAX | UNIT |
|---|---------------|----------------|----------------|------|
| Supply voltage, (V_{S+} and V_{S-}) | Dual supply | ± 2.5 | ± 7.5 | V |
| | Single supply | 5 | 15 | |
| Input common-mode voltage range | | $V_{S-} + 1.2$ | $V_{S+} - 1.2$ | V |

PACKAGING/ORDERING INFORMATION⁽¹⁾

| PACKAGED DEVICES | PACKAGE TYPE | PACKAGE MARKING | TRANSPORT MEDIA, QUANTITY |
|-----------------------|--------------------------|-----------------|---------------------------|
| <i>Non-power-down</i> | | | |
| THS4211D | SOIC-8 | — | Rails, 75 |
| THS4211DR | | | Tape and Reel, 2500 |
| THS4211DGK | MSOP-8 | BEJ | Rails, 100 |
| THS4211DGKR | | | Tape and Reel, 2500 |
| THS4211DRBT | QFN-8-PP ⁽²⁾ | BET | Tape and Reel, 250 |
| THS4211DRBR | | | Tape and Reel, 3000 |
| THS4211DGN | MSOP-8-PP ⁽²⁾ | BFN | Rails, 80 |
| THS4211DGNR | | | Tape and Reel, 2500 |
| <i>Power-down</i> | | | |
| THS4215D | SOIC-8 | — | Rails, 75 |
| THS4215DR | | | Tape and Reel, 2500 |
| THS4215DGK | MSOP-8 | BEZ | Rails, 100 |
| THS4215DGKR | | | Tape and Reel, 2500 |
| THS4215DRBT | QFN-8-PP ⁽²⁾ | BEU | Tape and Reel, 250 |
| THS4215DRBR | | | Tape and Reel, 3000 |
| THS4215DGN | MSOP-8-PP ⁽²⁾ | BFQ | Rails, 80 |
| THS4215DGNR | | | Tape and Reel, 2500 |

- (1) For the most current package and ordering information, see the Package Option Addendum at the end of this document, or see the TI web site at www.ti.com.
- (2) The PowerPAD is electrically isolated from all other pins.

PIN ASSIGNMENTS


NOTE A: The devices with the power down option defaults to the ON state if no signal is applied to the \overline{PD} pin.

ELECTRICAL CHARACTERISTICS: $V_S = \pm 5\text{ V}$

At $R_F = 392\ \Omega$, $R_L = 499\ \Omega$, and $G = +2$, unless otherwise noted.

| PARAMETER | TEST CONDITIONS | TYP | OVER TEMPERATURE | | | | MIN/ TYP/ MAX | |
|--|--|---------------------|------------------|-----------------|----------------------|------------------------|------------------------------|-----|
| | | +25°C | +25°C | 0°C to +70°C | -40°C to +85°C | UNITS | | |
| AC PERFORMANCE | | | | | | | | |
| Small-signal bandwidth | $G = 1, P_{OUT} = -7\text{ dBm}$ | 1 | | | | GHz | Typ | |
| | $G = -1, P_{OUT} = -16\text{ dBm}$ | 325 | | | | MHz | Typ | |
| | $G = 2, P_{OUT} = -16\text{ dBm}$ | 325 | | | | MHz | Typ | |
| | $G = 5, P_{OUT} = -16\text{ dBm}$ | 70 | | | | MHz | Typ | |
| | $G = 10, P_{OUT} = -16\text{ dBm}$ | 35 | | | | MHz | Typ | |
| 0.1-dB flat bandwidth | $G = 1, P_{OUT} = -7\text{ dBm}$ | 70 | | | | MHz | Typ | |
| Gain bandwidth product | $G > 10, f = 1\text{ MHz}$ | 350 | | | | MHz | Typ | |
| Full-power bandwidth | $G = -1, V_O = 2\ V_p$ | 77 | | | | MHz | Typ | |
| Slew rate | $G = 1, V_O = 2\text{ V Step}$ | 970 | | | | V/ μs | Typ | |
| | $G = -1, V_O = 2\text{ V Step}$ | 850 | | | | V/ μs | Typ | |
| Settling time to 0.1% | $G = -1, V_O = 4\text{ V Step}$ | 22 | | | | ns | Typ | |
| Settling time to 0.01% | | 55 | | | | ns | Typ | |
| Harmonic distortion | | | | | | | | |
| 2nd-order harmonic distortion | $G = 1, V_O = 1\ V_{pp}, f = 30\text{ MHz}$ | $R_L = 150\ \Omega$ | -78 | | | | dBc | Typ |
| | | $R_L = 499\ \Omega$ | -90 | | | | dBc | Typ |
| 3rd-order harmonic distortion | | $R_L = 150\ \Omega$ | -100 | | | | dBc | Typ |
| | | $R_L = 499\ \Omega$ | -100 | | | | dBc | Typ |
| Harmonic distortion | | | | | | | | |
| 2nd-order harmonic distortion | $G = 2, V_O = 2\ V_{pp}, f = 30\text{ MHz}$ | $R_L = 150\ \Omega$ | -68 | | | | dBc | Typ |
| | | $R_L = 499\ \Omega$ | -70 | | | | dBc | Typ |
| 3rd-order harmonic distortion | | $R_L = 150\ \Omega$ | -80 | | | | dBc | Typ |
| | | $R_L = 499\ \Omega$ | -82 | | | | dBc | Typ |
| 3rd-order intermodulation (IMD ₃) | $G = 2, V_O = 2\ V_{pp}, R_L = 150\ \Omega, f = 70\text{ MHz}$ | -53 | | | | dBc | Typ | |
| 3rd-order output intercept (OIP ₃) | $G = 2, V_O = 2\ V_{pp}, R_L = 150\ \Omega, f = 70\text{ MHz}$ | 32 | | | | dBm | Typ | |
| Differential gain (NTSC, PAL) | $G = 2, R_L = 150\ \Omega$ | 0.007 | | | | % | Typ | |
| Differential phase (NTSC, PAL) | | 0.003 | | | | ° | Typ | |
| Input voltage noise | $f = 1\text{ MHz}$ | 7 | | | | nV/ $\sqrt{\text{Hz}}$ | Typ | |
| Input current noise | $f = 10\text{ MHz}$ | 4 | | | | pA/ $\sqrt{\text{Hz}}$ | Typ | |
| DC PERFORMANCE | | | | | | | | |
| Open-loop voltage gain (A_{OL}) | $V_O = \pm 0.3\text{ V}, R_L = 499\ \Omega$ | 70 | 65 | 62 | 60 | dB | Min | |
| Input offset voltage | $V_{CM} = 0\text{ V}$ | 3 | 12 | 14 | 14 | mV | Max | |
| Average offset voltage drift | | | | | ± 40 | ± 40 | $\mu\text{V}/^\circ\text{C}$ | Typ |
| Input bias current | | 7 | 15 | 18 | 20 | μA | Max | |
| Average bias current drift | | | | | ± 10 | ± 10 | nA/ $^\circ\text{C}$ | Typ |
| Input offset current | | 0.3 | 6 | 7 | 8 | μA | Max | |
| Average offset current drift | | | | | ± 10 | ± 10 | nA/ $^\circ\text{C}$ | Typ |

ELECTRICAL CHARACTERISTICS: $V_S = \pm 5\text{ V}$ (continued)

 At $R_F = 392\ \Omega$, $R_L = 499\ \Omega$, and $G = +2$, unless otherwise noted.

| PARAMETER | TEST CONDITIONS | TYP | OVER TEMPERATURE | | | | UNITS | MIN/ TYP/ MAX |
|--|--|------------|------------------|-----------------|----------------------|----|-------|---------------------|
| | | +25°C | +25°C | 0°C to +70°C | -40°C to +85°C | | | |
| INPUT CHARACTERISTICS | | | | | | | | |
| Common-mode input range | | ±4 | ±3.8 | ±3.7 | ±3.6 | V | Min | |
| Common-mode rejection ratio | $V_{CM} = \pm 1\text{ V}$ | 56 | 52 | 50 | 48 | dB | Min | |
| Input resistance | Common-mode | 4 | | | | MΩ | Typ | |
| Input capacitance | Common-mode/differential | 0.3/0.2 | | | | pF | Typ | |
| OUTPUT CHARACTERISTICS | | | | | | | | |
| Output voltage swing | | ±4.0 | ±3.8 | ±3.7 | ±3.6 | V | Min | |
| Output current (sourcing) | $R_L = 10\ \Omega$ | 220 | 200 | 190 | 180 | mA | Min | |
| Output current (sinking) | | 170 | 140 | 130 | 120 | mA | Min | |
| Output impedance | $f = 1\text{ MHz}$ | 0.3 | | | | Ω | Typ | |
| POWER SUPPLY | | | | | | | | |
| Specified operating voltage | | ±5 | ±7.5 | ±7.5 | ±7.5 | V | Max | |
| Maximum quiescent current | | 19 | 22 | 23 | 24 | mA | Max | |
| Minimum quiescent current | | 19 | 16 | 15 | 14 | mA | Min | |
| Power-supply rejection (+PSRR) | $V_{S+} = 5.5\text{ V to } 4.5\text{ V}$, $V_{S-} = 5\text{ V}$ | 64 | 58 | 54 | 54 | dB | Min | |
| Power-supply rejection (-PSRR) | $V_{S+} = 5\text{ V}$, $V_{S-} = -5.5\text{ V to } -4.5\text{ V}$ | 65 | 60 | 56 | 56 | dB | Min | |
| POWER-DOWN CHARACTERISTICS (THS4215 ONLY) | | | | | | | | |
| Power-down voltage level | REF = 0 V, or V_{S-} | Enable | | REF+1.8 | | | V | Min |
| | | Power-down | | REF+1 | | | V | Max |
| | REF = V_{S+} or Floating | Enable | | REF-1 | | | V | Min |
| | | Power-down | | REF-1.5 | | | V | Max |
| Power-down quiescent current | PD = Ref +1.0 V, Ref = 0 V | 650 | 850 | 900 | 1000 | μA | Max | |
| | PD = Ref -1.5 V, Ref = 5 V | 450 | 650 | 800 | 900 | μA | Max | |
| Turn-on time delay (t_{ON}) | 50% of final supply current value | 4 | | | | μs | Typ | |
| Turn-off time delay (t_{OFF}) | 50% of final supply current value | 3 | | | | μs | Typ | |
| Input impedance | | 4 | | | | GΩ | Typ | |
| Output impedance | $f = 1\text{ MHz}$ | 250 | | | | kΩ | Typ | |

ELECTRICAL CHARACTERISTICS: $V_S = 5\text{ V}$

At $R_F = 392\ \Omega$, $R_L = 499\ \Omega$, and $G = +2$, unless otherwise noted.

| PARAMETER | TEST CONDITIONS | TYP | OVER TEMPERATURE | | | | MIN/ TYP/ MAX | |
|--|--|---------------------|------------------|-----------------|----------------------|------------------------|------------------------------|-----|
| | | +25°C | +25°C | 0°C to +70°C | -40°C to +85°C | UNITS | | |
| AC PERFORMANCE | | | | | | | | |
| Small-signal bandwidth | $G = 1, P_{OUT} = -7\text{ dBm}$ | 980 | | | | MHz | Typ | |
| | $G = -1, P_{OUT} = -16\text{ dBm}$ | 300 | | | | MHz | Typ | |
| | $G = 2, P_{OUT} = -16\text{ dBm}$ | 300 | | | | MHz | Typ | |
| | $G = 5, P_{OUT} = -16\text{ dBm}$ | | | | | MHz | Typ | |
| | $G = 10, P_{OUT} = -16\text{ dBm}$ | 30 | | | | MHz | Typ | |
| 0.1-dB flat bandwidth | $G = 1, P_{OUT} = -7\text{ dBm}$ | 90 | | | | MHz | Typ | |
| Gain bandwidth product | $G > 10, f = 1\text{ MHz}$ | 300 | | | | MHz | Typ | |
| Full-power bandwidth | $G = -1, V_O = 2\ V_p$ | 64 | | | | MHz | Typ | |
| Slew rate | $G = 1, V_O = 2\text{ V Step}$ | 800 | | | | V/ μs | Typ | |
| | $G = -1, V_O = 2\text{ V Step}$ | 750 | | | | V/ μs | Typ | |
| Settling time to 0.1% | $G = -1, V_O = 2\text{ V Step}$ | 22 | | | | ns | Typ | |
| Settling time to 0.01% | | 84 | | | | ns | Typ | |
| Harmonic distortion | | | | | | | | |
| 2nd-order harmonic distortion | $G = 1, V_O = 1\ V_{PP}, f = 30\text{ MHz}$ | $R_L = 150\ \Omega$ | -60 | | | | dBc | Typ |
| | | $R_L = 499\ \Omega$ | -60 | | | | dBc | Typ |
| 3rd-order harmonic distortion | | $R_L = 150\ \Omega$ | -68 | | | | dBc | Typ |
| | | $R_L = 499\ \Omega$ | -68 | | | | dBc | Typ |
| 3rd-order intermodulation (IMD ₃) | $G = 1, V_O = 1\ V_{PP}, R_L = 150\ \Omega, f = 70\text{ MHz}$ | -70 | | | | dBc | Typ | |
| 3rd-order output intercept (OIP ₃) | | 34 | | | | dBm | Typ | |
| Input-voltage noise | $f = 1\text{ MHz}$ | 7 | | | | nV/ $\sqrt{\text{Hz}}$ | Typ | |
| Input-current noise | $f = 10\text{ MHz}$ | 4 | | | | pA/ $\sqrt{\text{Hz}}$ | Typ | |
| DC PERFORMANCE | | | | | | | | |
| Open-loop voltage gain (A _{OL}) | $V_O = \pm 0.3\text{ V}, R_L = 499\ \Omega$ | 68 | 63 | 60 | 60 | dB | Min | |
| Input offset voltage | $V_{CM} = V_S/2$ | 3 | 12 | 14 | 14 | mV | Max | |
| Average offset voltage drift | | | | | ±40 | ±40 | $\mu\text{V}/^\circ\text{C}$ | Typ |
| Input bias current | | 7 | 15 | 17 | 18 | μA | Max | |
| Average bias current drift | | | | ±10 | ±10 | nA/ $^\circ\text{C}$ | Typ | |
| Input offset current | | 0.3 | 6 | 7 | 8 | μA | Max | |
| Average offset current drift | | | | ±10 | ±10 | nA/ $^\circ\text{C}$ | Typ | |
| INPUT CHARACTERISTICS | | | | | | | | |
| Common-mode input range | | 1/4 | 1.2/3.8 | 1.3/3.7 | 1.4/3.6 | V | Min | |
| Common-mode rejection ratio | $V_{CM} = \pm 0.5\text{ V}, V_O = 2.5\text{ V}$ | 54 | 50 | 48 | 45 | dB | Min | |
| Input resistance | Common-mode | 4 | | | | M Ω | Typ | |
| Input capacitance | Common-mode/differential | 0.3/0.2 | | | | pF | Typ | |
| OUTPUT CHARACTERISTICS | | | | | | | | |
| Output voltage swing | | 1/4 | 1.2/3.8 | 1.3/3.7 | 1.4/3.6 | V | Min | |
| Output current (sourcing) | $R_L = 10\ \Omega$ | 230 | 210 | 190 | 180 | mA | Min | |
| Output current (sinking) | | 150 | 120 | 100 | 90 | mA | Min | |
| Output impedance | $f = 1\text{ MHz}$ | 0.3 | | | | Ω | Typ | |

ELECTRICAL CHARACTERISTICS: $V_S = 5\text{ V}$ (continued)

 At $R_F = 392\ \Omega$, $R_L = 499\ \Omega$, and $G = +2$, unless otherwise noted.

| PARAMETER | TEST CONDITIONS | TYP | OVER TEMPERATURE | | | | MIN/ TYP/ MAX | |
|--|---|------------|------------------|-----------------|----------------------|------------------|---------------------|-----|
| | | +25°C | +25°C | 0°C to +70°C | -40°C to +85°C | UNITS | | |
| POWER SUPPLY | | | | | | | | |
| Specified operating voltage | | 5 | 15 | 15 | 15 | V | Max | |
| Maximum quiescent current | | 19 | 22 | 23 | 24 | mA | Max | |
| Minimum quiescent current | | 19 | 16 | 15 | 14 | mA | Min | |
| Power-supply rejection (+PSRR) | $V_{S+} = 5.5\text{ V to } 4.5\text{ V}$, $V_{S-} = 0\text{ V}$ | 63 | 58 | 54 | 54 | dB | Min | |
| Power-supply rejection (-PSRR) | $V_{S+} = 5\text{ V}$, $V_{S-} = -0.5\text{ V to } 0.5\text{ V}$ | 65 | 60 | 56 | 56 | dB | Min | |
| POWER-DOWN CHARACTERISTICS (THS4215 ONLY) | | | | | | | | |
| Power-down voltage level | REF = 0 V, or V_{S-} | Enable | | REF+1.8 | | | V | Min |
| | | Power down | | REF+1 | | | V | Max |
| | REF = V_{S+} or floating | Enable | | REF-1 | | | V | Min |
| | | Power down | | REF-1.5 | | | V | Max |
| Power-down quiescent current | PD = Ref +1.0 V, Ref = 0 V | 450 | 650 | 750 | 850 | μA | Max | |
| Power-down quiescent current | PD = Ref -1.5 V, Ref = 5 V | 400 | 650 | 750 | 850 | μA | Max | |
| Turn-on-time delay ($t_{(ON)}$) | 50% of final value | 4 | | | | μs | Typ | |
| Turn-off-time delay ($t_{(OFF)}$) | | 3 | | | | μs | Typ | |
| Input impedance | | 6 | | | | $\text{G}\Omega$ | Typ | |
| Output impedance | $f = 1\text{ MHz}$ | 75 | | | | $\text{k}\Omega$ | Typ | |

TYPICAL CHARACTERISTICS

Table of Graphs (± 5 V)

| | | FIGURE |
|--|----------------------------|----------------|
| Small-signal unity-gain frequency response | | 1 |
| Small-signal frequency response | | 2 |
| 0.1-dB gain flatness frequency response | | 3 |
| Large-signal frequency response | | 4 |
| Slew rate | vs Output voltage | 5 |
| Harmonic distortion | vs Frequency | 6, 7, 8, 9 |
| Harmonic distortion | vs Output voltage swing | 10, 11, 12, 13 |
| Third-order intermodulation distortion | vs Frequency | 14, 16 |
| Third-order output intercept point | vs Frequency | 15, 17 |
| Voltage and current noise | vs Frequency | 18 |
| Differential gain | vs Number of loads | 19 |
| Differential phase | vs Number of loads | 20 |
| Settling time | | 21 |
| Quiescent current | vs supply voltage | 22 |
| Output voltage | vs Load resistance | 23 |
| Frequency response | vs Capacitive load | 24 |
| Open-loop gain and phase | vs Frequency | 25 |
| Open-loop gain | vs Case temperature | 26 |
| Rejection ratios | vs Frequency | 27 |
| Rejection ratios | vs Case temperature | 28 |
| Common-mode rejection ratio | vs Input common-mode range | 29 |
| Input offset voltage | vs Case temperature | 30 |
| Input bias and offset current | vs Case temperature | 31 |
| Small-signal transient response | | 32 |
| Large-signal transient response | | 33 |
| Overdrive recovery | | 34 |
| Closed-loop output impedance | vs Frequency | 35 |
| Power-down quiescent current | vs Supply voltage | 36 |
| Power-down output impedance | vs Frequency | 37 |
| Turn-on and turn-off delay times | | 38 |

Table of Graphs (5 V)

| | | FIGURE |
|--|----------------------------|----------------|
| Small-signal unity-gain frequency response | | 39 |
| Small-signal frequency response | | 40 |
| 0.1-dB gain flatness frequency response | | 41 |
| Large-signal frequency response | | 42 |
| Slew rate | vs Output voltage | 43 |
| Harmonic distortion | vs Frequency | 44, 45, 46, 47 |
| Harmonic distortion | vs Output voltage swing | 48, 49, 50, 51 |
| Third-order intermodulation distortion | vs Frequency | 52, 54 |
| Third-order intercept point | vs Frequency | 53, 55 |
| Voltage and current noise | vs Frequency | 56 |
| Settling time | | 57 |
| Quiescent current | vs Supply voltage | 58 |
| Output voltage | vs Load resistance | 59 |
| Frequency response | vs Capacitive load | 60 |
| Open-loop gain and phase | vs Frequency | 61 |
| Open-loop gain | vs Case temperature | 62 |
| Rejection ratios | vs Frequency | 63 |
| Rejection ratios | vs Case temperature | 64 |
| Common-mode rejection ratio | vs Input common-mode range | 65 |
| Input offset voltage | vs Case temperature | 66 |
| Input bias and offset current | vs Case temperature | 67 |
| Small-signal transient response | | 68 |
| Large-signal transient response | | 69 |
| Overdrive recovery | | 70 |
| Closed-loop output impedance | vs Frequency | 71 |
| Power-down quiescent current | vs Supply voltage | 72 |
| Power-down output impedance | vs Frequency | 73 |
| Turn-on and turn-off delay times | | 74 |

TYPICAL CHARACTERISTICS: ± 5 V

SMALL-SIGNAL UNITY GAIN
FREQUENCY RESPONSE

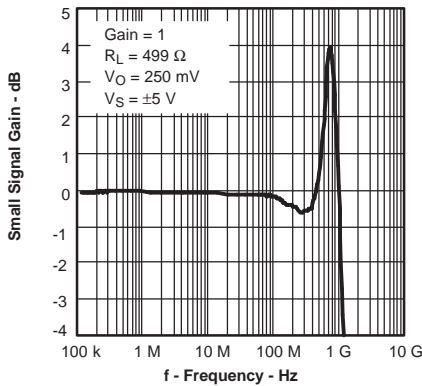


Figure 1.

SMALL-SIGNAL FREQUENCY
RESPONSE

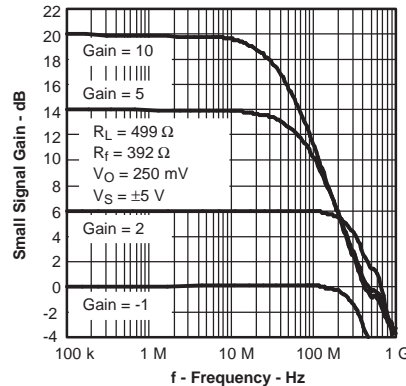


Figure 2.

0.1-dB GAIN FLATNESS
FREQUENCY RESPONSE

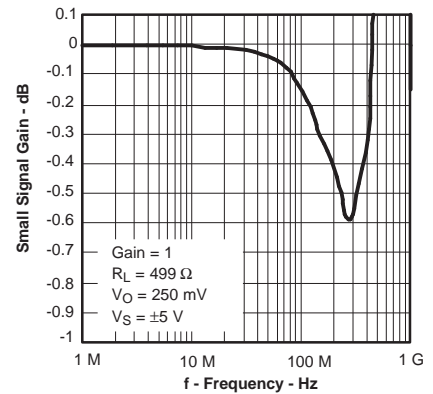


Figure 3.

LARGE-SIGNAL FREQUENCY
RESPONSE

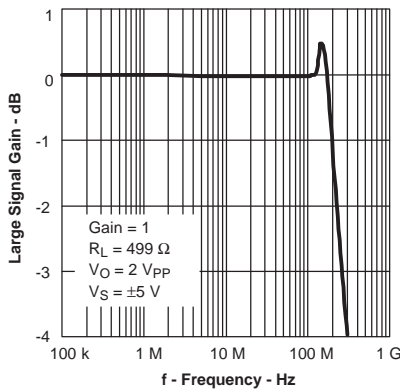


Figure 4.

SLEW RATE
vs
OUTPUT VOLTAGE

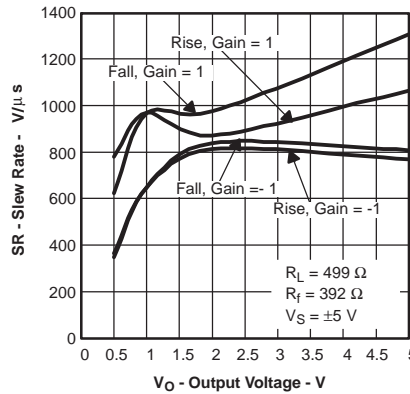


Figure 5.

HARMONIC DISTORTION
vs
FREQUENCY

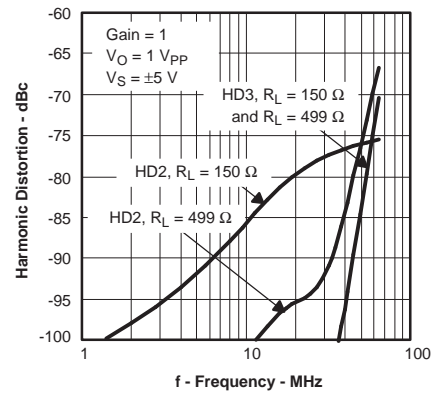


Figure 6.

HARMONIC DISTORTION
vs
FREQUENCY

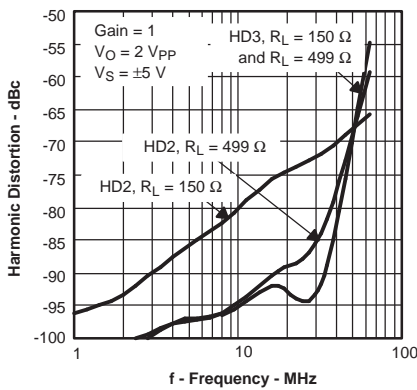


Figure 7.

HARMONIC DISTORTION
vs
FREQUENCY

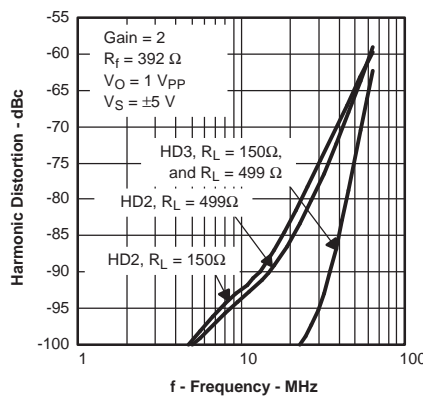


Figure 8.

HARMONIC DISTORTION
vs
FREQUENCY

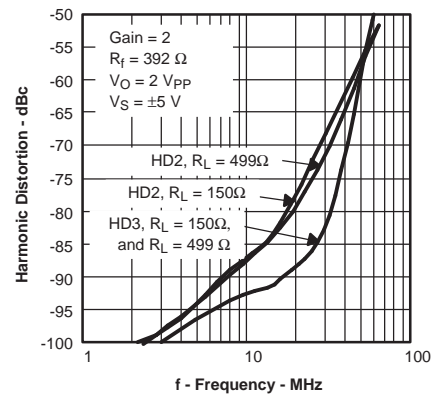


Figure 9.

TYPICAL CHARACTERISTICS: ±5 V (continued)

HARMONIC DISTORTION
VS
OUTPUT VOLTAGE SWING

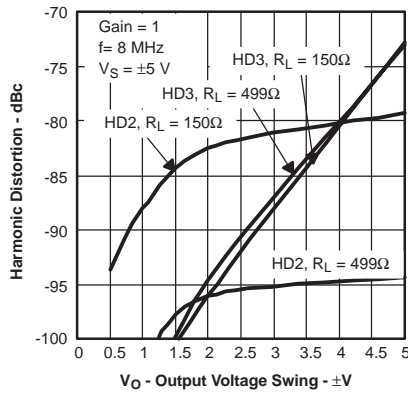


Figure 10.

HARMONIC DISTORTION
VS
OUTPUT VOLTAGE SWING

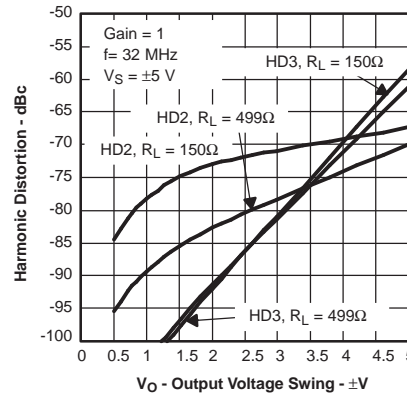


Figure 11.

HARMONIC DISTORTION
VS
OUTPUT VOLTAGE SWING

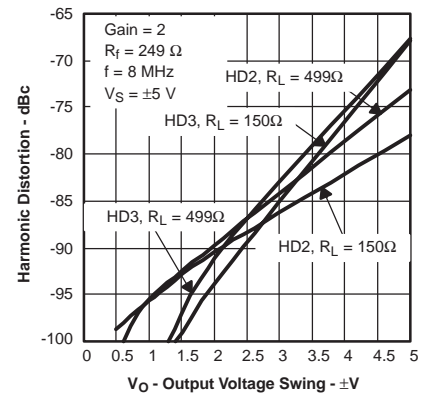


Figure 12.

HARMONIC DISTORTION
VS
OUTPUT VOLTAGE SWING

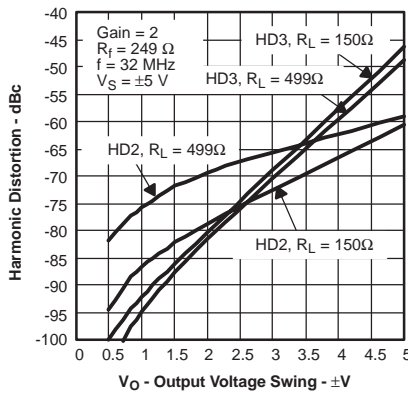


Figure 13.

THIRD-ORDER INTERMODULATION
DISTORTION
VS
FREQUENCY

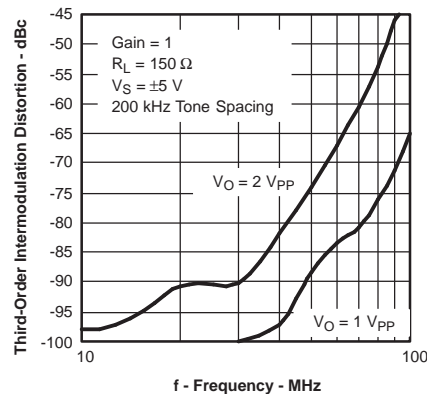


Figure 14.

THIRD-ORDER OUTPUT
INTERCEPT POINT
VS
FREQUENCY

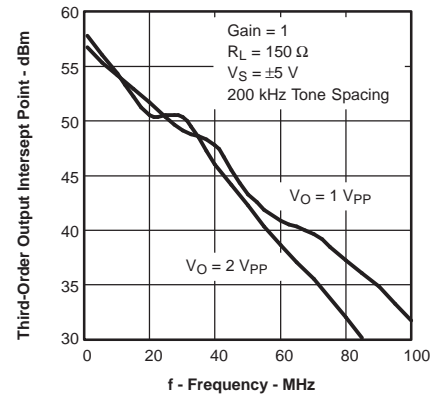


Figure 15.

THIRD-ORDER INTERMODULATION
DISTORTION
VS
FREQUENCY

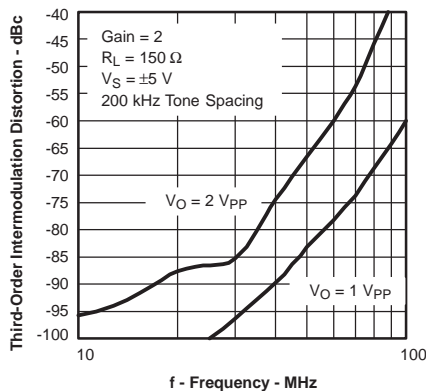


Figure 16.

THIRD-ORDER OUTPUT
INTERCEPT POINT
VS
FREQUENCY

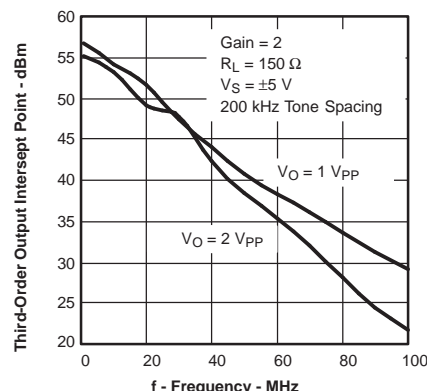


Figure 17.

VOLTAGE AND CURRENT NOISE
VS
FREQUENCY

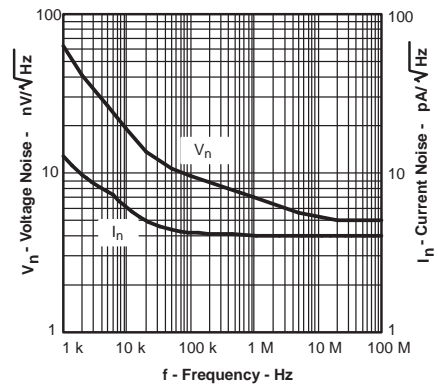


Figure 18.

TYPICAL CHARACTERISTICS: ±5 V (continued)

DIFFERENTIAL GAIN
VS
NUMBER OF LOADS

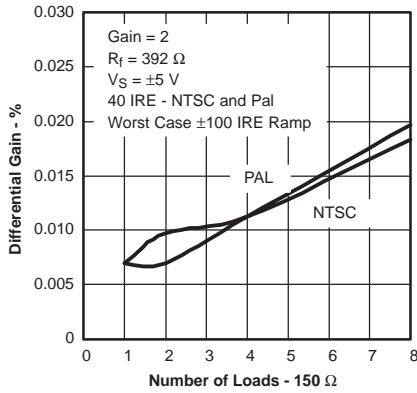


Figure 19.

DIFFERENTIAL PHASE
VS
NUMBER OF LOADS

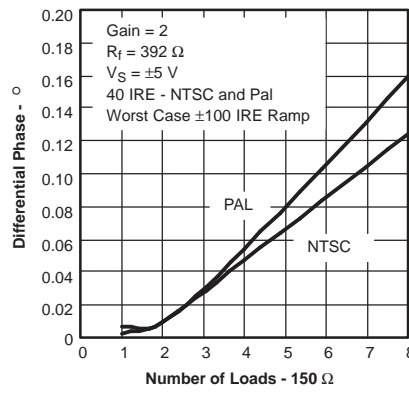


Figure 20.

SETTLING TIME

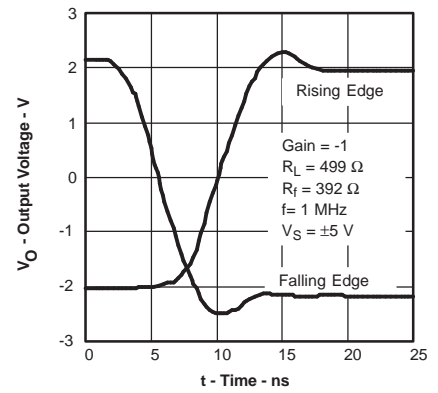


Figure 21.

QUIESCENT CURRENT
VS
SUPPLY VOLTAGE

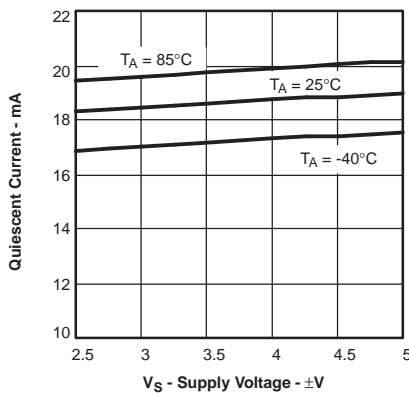


Figure 22.

OUTPUT VOLTAGE
VS
LOAD RESISTANCE

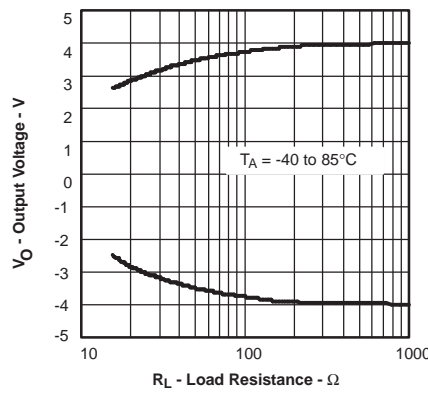


Figure 23.

FREQUENCY RESPONSE
VS
CAPACITIVE LOAD

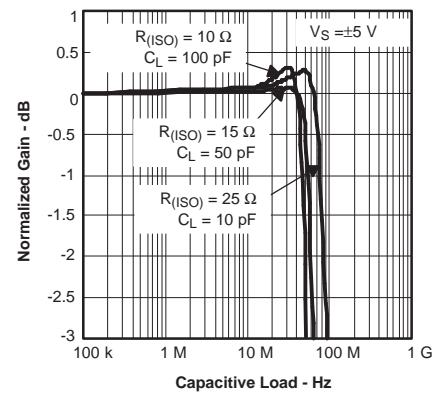


Figure 24.

OPEN-LOOP GAIN AND PHASE
VS
FREQUENCY

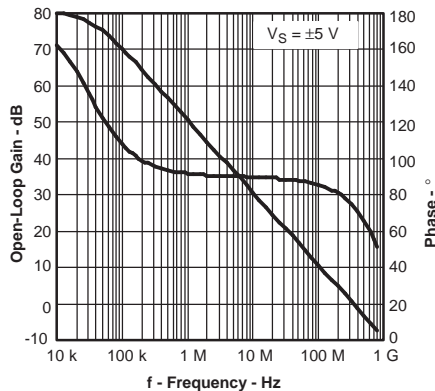


Figure 25.

OPEN-LOOP GAIN
VS
CASE TEMPERATURE

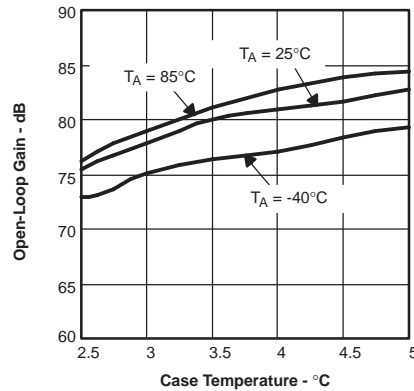


Figure 26.

REJECTION RATIOS
VS
FREQUENCY

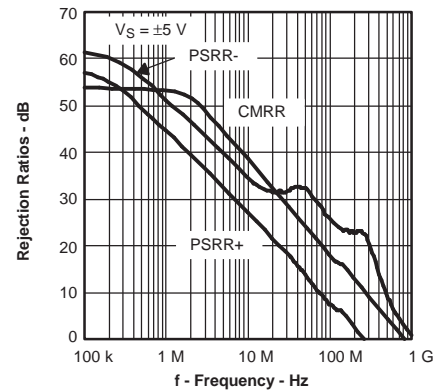


Figure 27.

TYPICAL CHARACTERISTICS: ±5 V (continued)

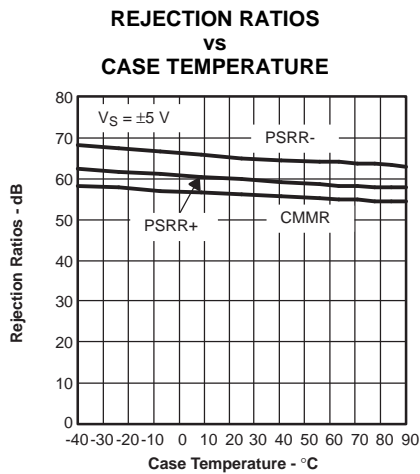


Figure 28.

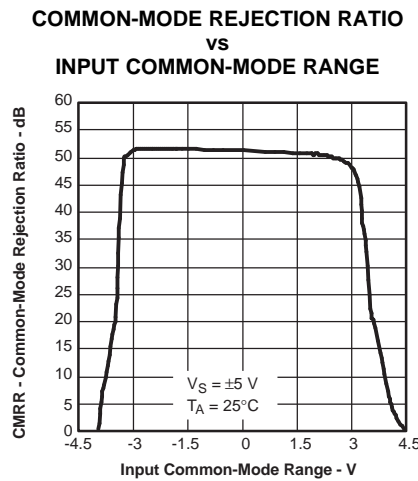


Figure 29.

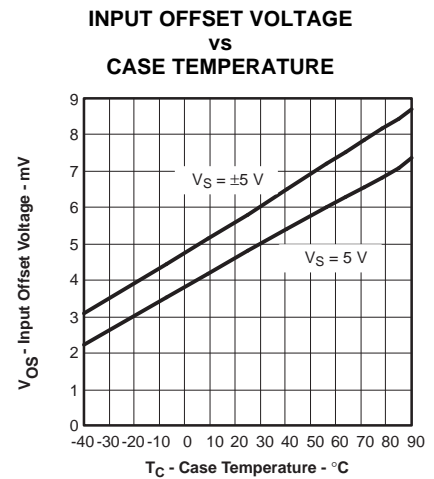


Figure 30.

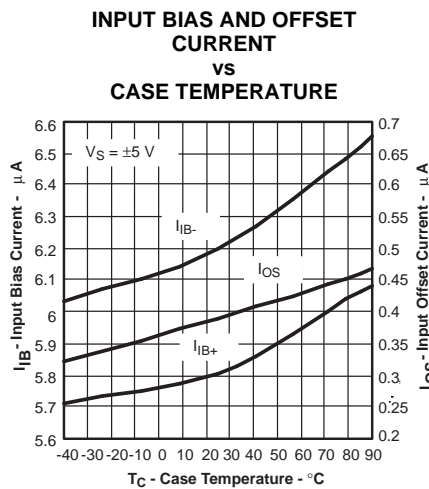


Figure 31.

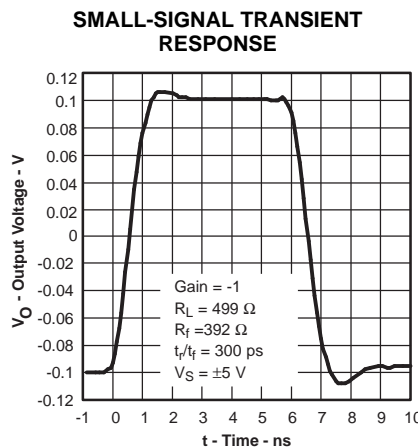


Figure 32.

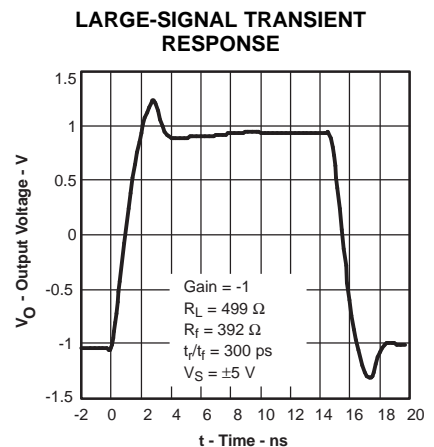


Figure 33.

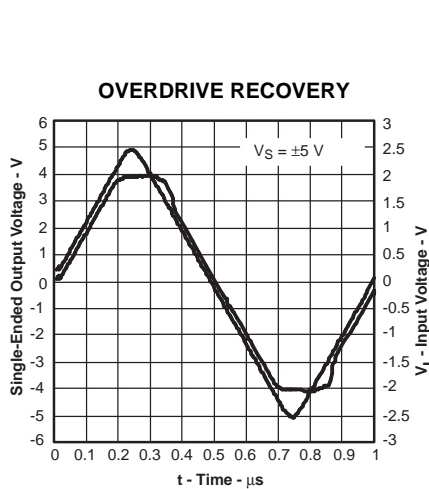


Figure 34.

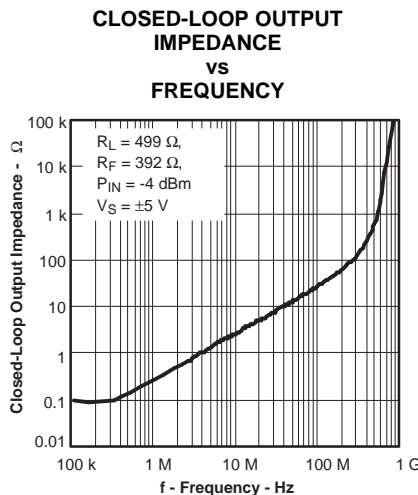


Figure 35.

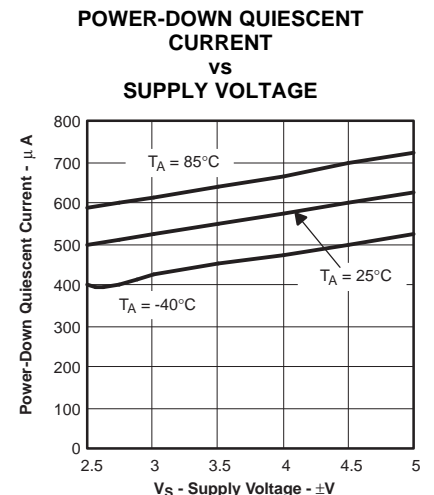


Figure 36.

TYPICAL CHARACTERISTICS: ±5 V (continued)

POWER-DOWN
OUTPUT IMPEDANCE
vs
FREQUENCY

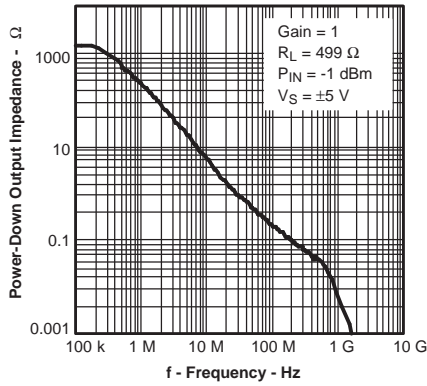


Figure 37.

TURN-ON AND TURN-OFF TIMES
DELAY TIME

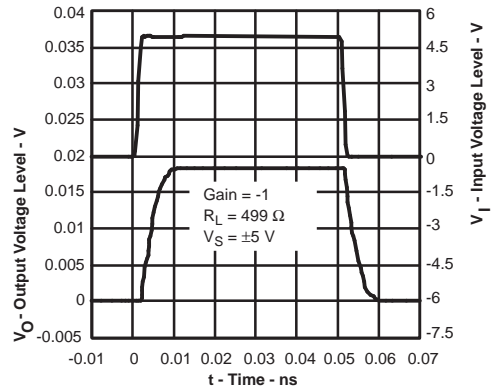


Figure 38.

TYPICAL CHARACTERISTICS: 5 V

SMALL-SIGNAL UNITY GAIN
FREQUENCY RESPONSE

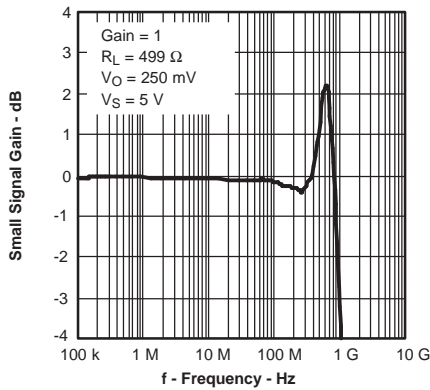


Figure 39.

SMALL-SIGNAL
FREQUENCY RESPONSE

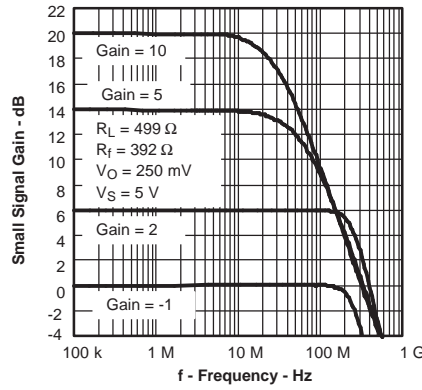


Figure 40.

0.1-dB GAIN FLATNESS
FREQUENCY RESPONSE

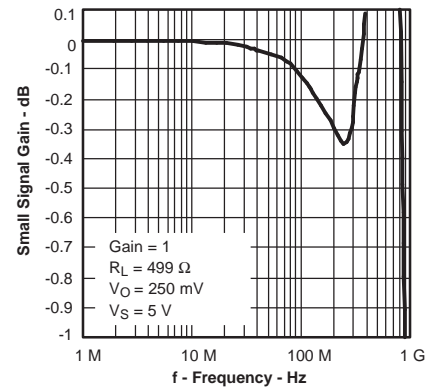


Figure 41.

LARGE-SIGNAL
FREQUENCY RESPONSE

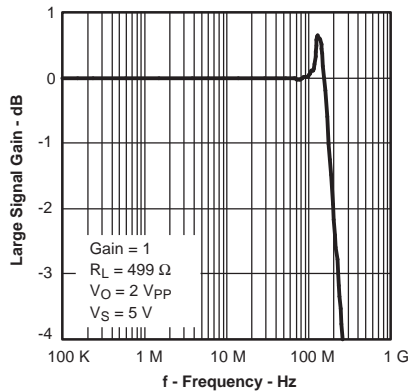


Figure 42.

SLEW RATE
vs
OUTPUT VOLTAGE

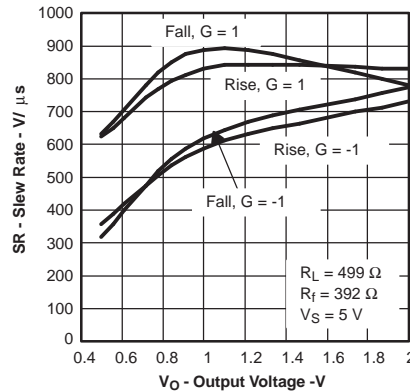


Figure 43.

HARMONIC DISTORTION
vs
FREQUENCY

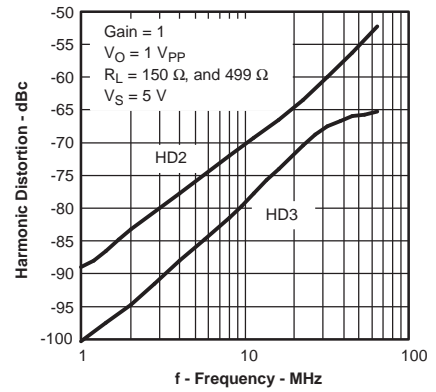


Figure 44.

TYPICAL CHARACTERISTICS: 5 V (continued)

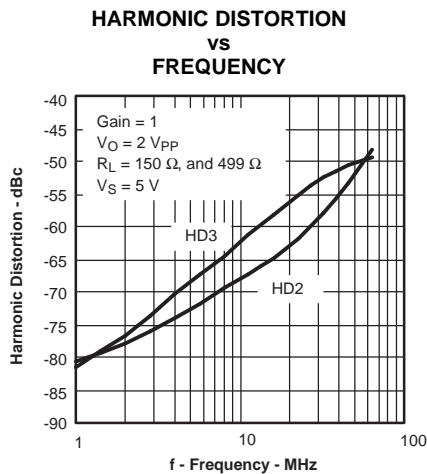


Figure 45.

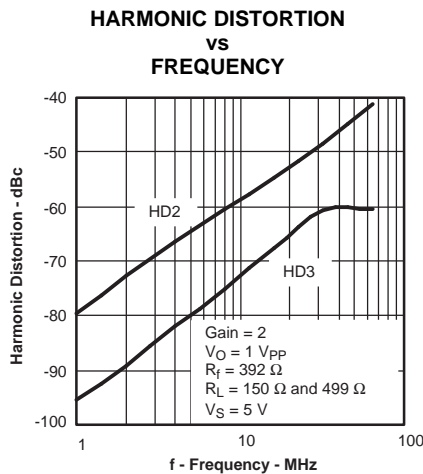


Figure 46.

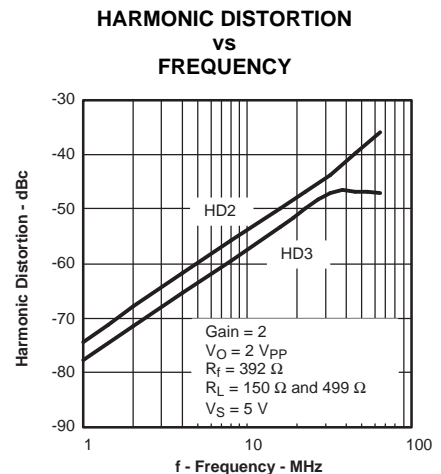


Figure 47.

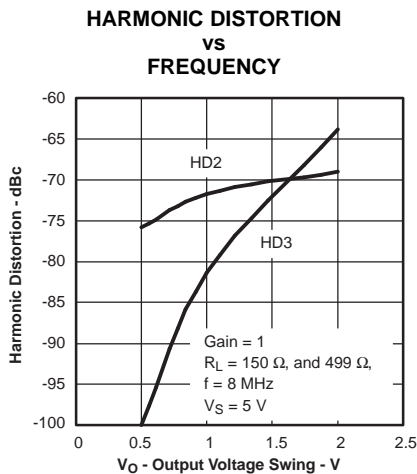


Figure 48.

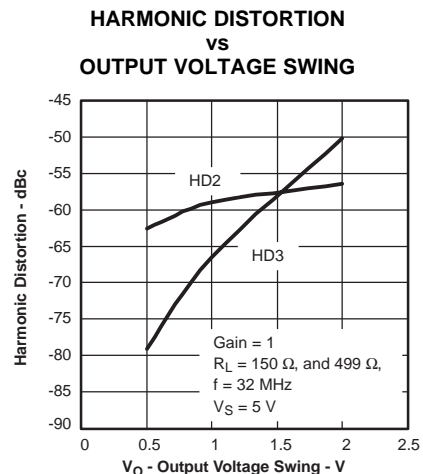


Figure 49.

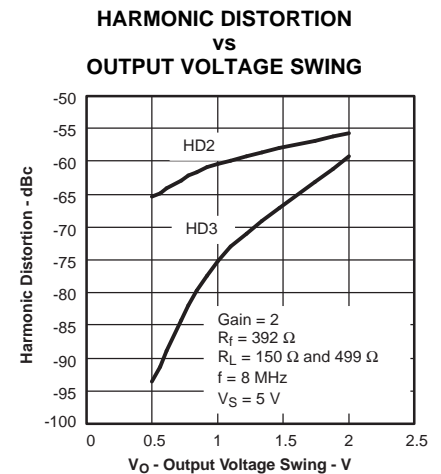


Figure 50.

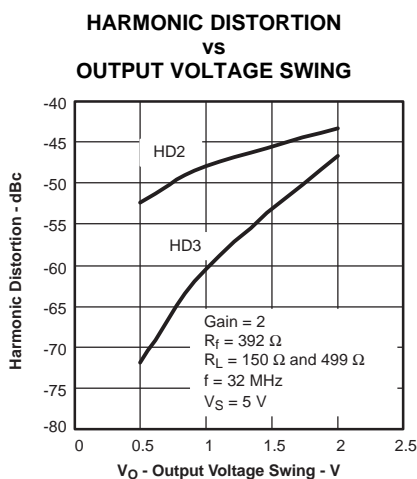


Figure 51.

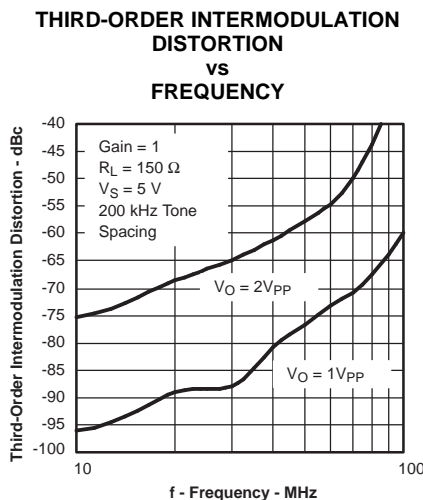


Figure 52.

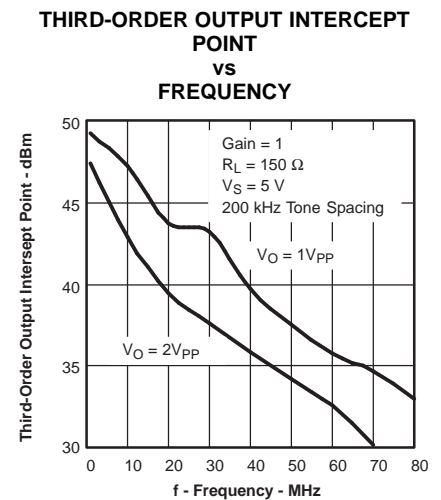


Figure 53.

TYPICAL CHARACTERISTICS: 5 V (continued)

THIRD-ORDER INTERMODULATION DISTORTION VS FREQUENCY

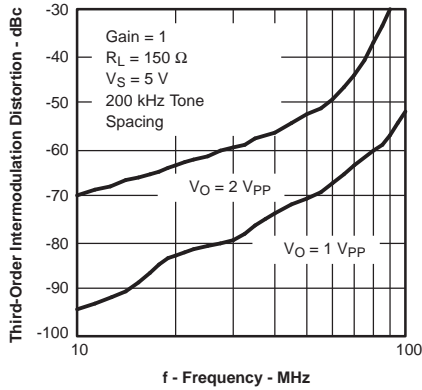


Figure 54.

THIRD-ORDER OUTPUT INTERCEPT POINT VS FREQUENCY

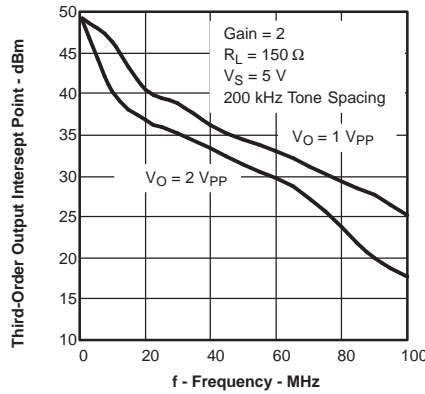


Figure 55.

VOLTAGE AND CURRENT NOISE VS FREQUENCY

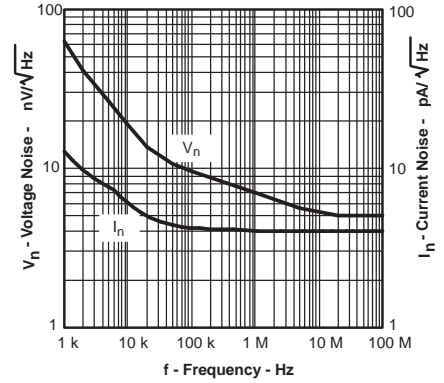


Figure 56.

SETTLING TIME

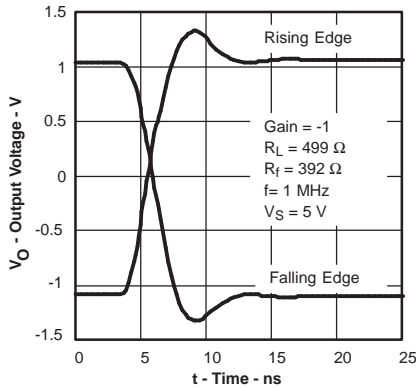


Figure 57.

QUIESCENT CURRENT VS SUPPLY VOLTAGE

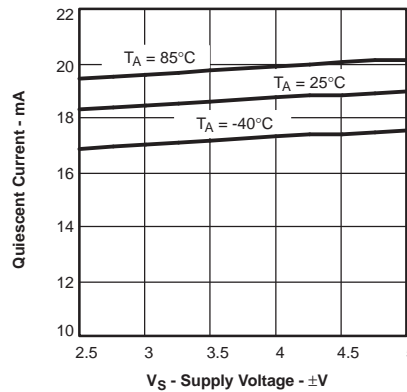


Figure 58.

OUTPUT VOLTAGE VS LOAD RESISTANCE

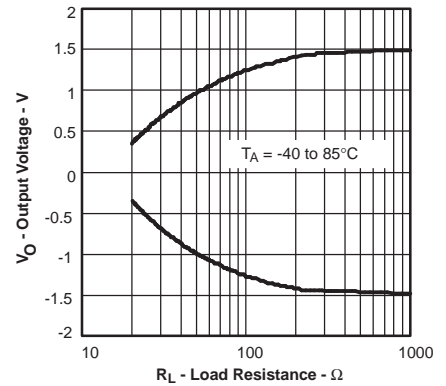


Figure 59.

FREQUENCY RESPONSE VS CAPACITIVE LOAD

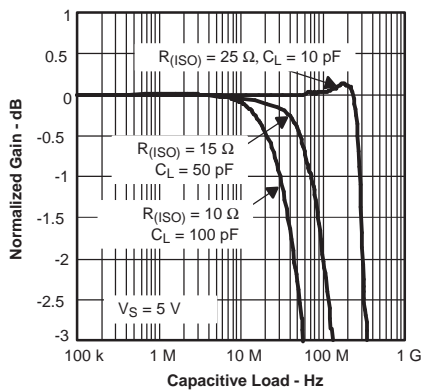


Figure 60.

OPEN-LOOP GAIN AND PHASE VS FREQUENCY

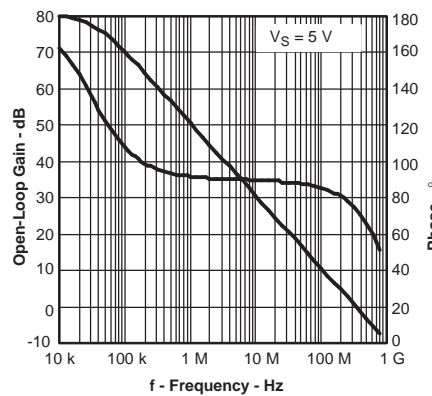


Figure 61.

OPEN-LOOP GAIN VS CASE TEMPERATURE

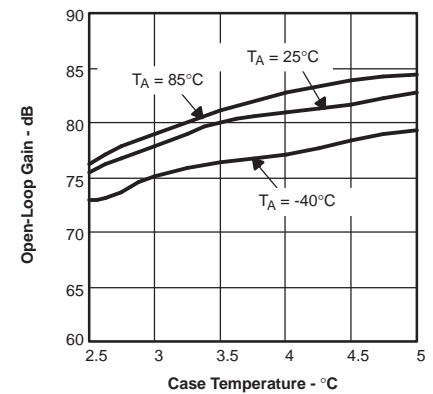


Figure 62.

TYPICAL CHARACTERISTICS: 5 V (continued)

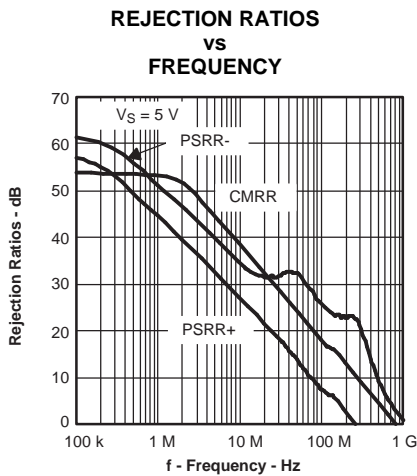


Figure 63.

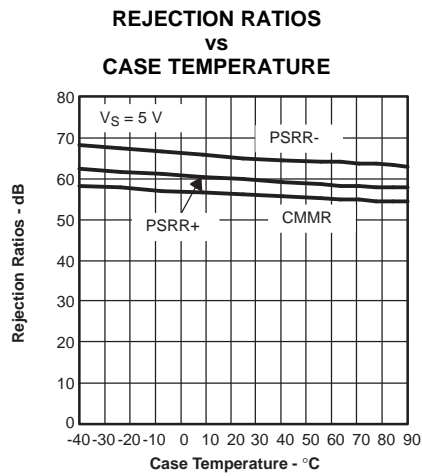


Figure 64.

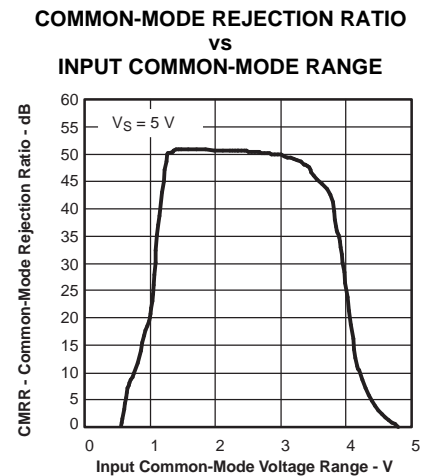


Figure 65.

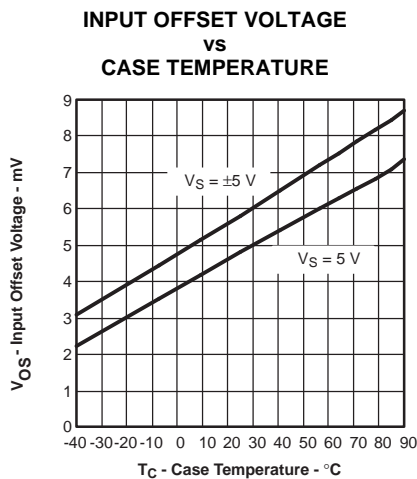


Figure 66.

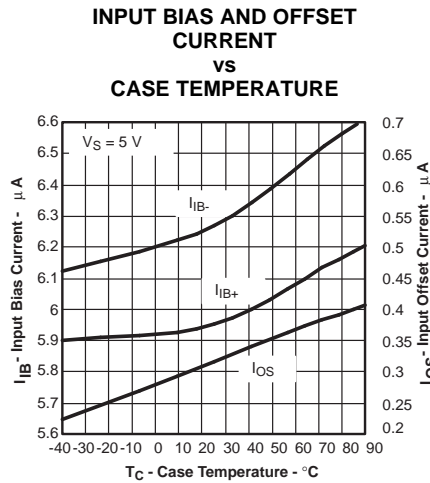


Figure 67.

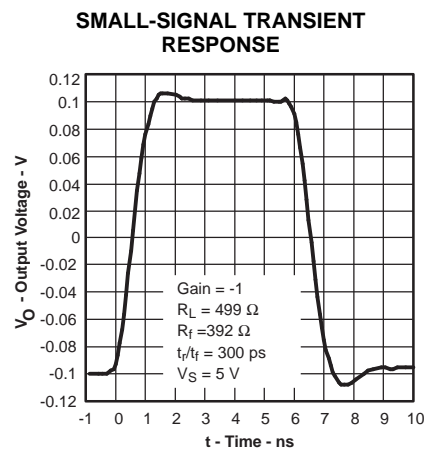


Figure 68.

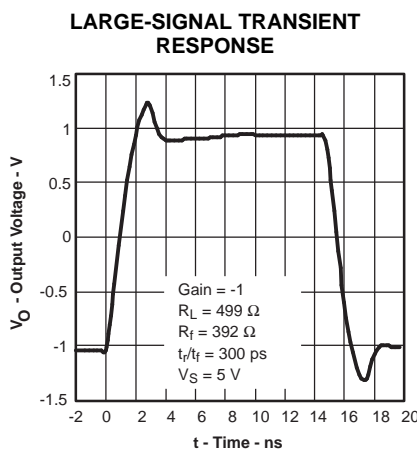


Figure 69.

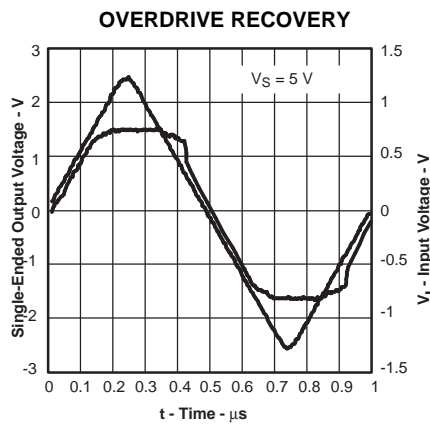


Figure 70.

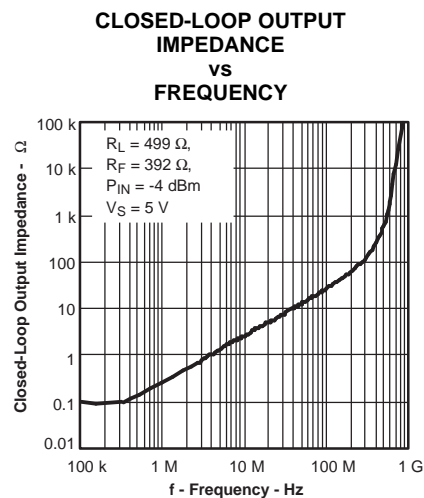


Figure 71.

TYPICAL CHARACTERISTICS: 5 V (continued)

POWER-DOWN QUIESCENT
CURRENT
vs
SUPPLY VOLTAGE

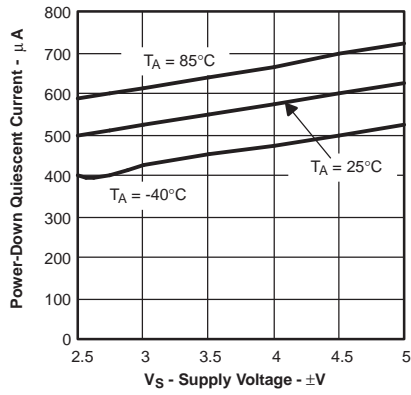


Figure 72.

POWER-DOWN OUTPUT
IMPEDANCE
vs
FREQUENCY

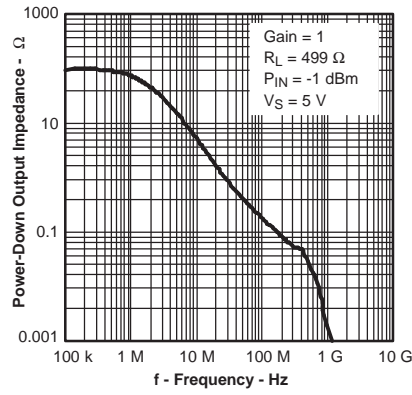


Figure 73.

TURN-ON AND TURN-OFF TIMES
DELAY TIME

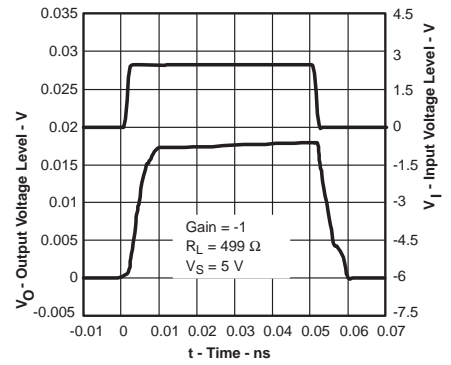


Figure 74.

APPLICATION INFORMATION

HIGH-SPEED OPERATIONAL AMPLIFIERS

The THS4211 and the THS4215 operational amplifiers set new performance levels, combining low distortion, high slew rates, low noise, and a unity-gain bandwidth in excess of 1 GHz. To achieve the full performance of the amplifier, careful attention must be paid to printed-circuit board (PCB) layout and component selection.

The THS4215 provides a power-down mode, providing the ability to save power when the amplifier is inactive. A reference pin is provided to allow the user the flexibility to control the threshold levels of the power-down control pin.

Applications Section Contents

- Wideband, Noninverting Operation
- Wideband, Inverting Gain Operation
- Single-Supply Operation
- Saving Power with Power-Down Functionality and Setting Threshold Levels with the Reference Pin
- Power Supply Decoupling Techniques and Recommendations
- Using the THS4211 as a DAC Output Buffer
- Driving an ADC with the THS4211
- Active Filtering with the THS4211
- Building a Low-Noise Receiver with the THS4211
- Linearity: Definitions, Terminology, Circuit Techniques and Design Tradeoffs
- An Abbreviated Analysis of Noise in Amplifiers
- Driving Capacitive Loads
- Printed-Circuit Board Layout Techniques for Optimal Performance
- Power Dissipation and Thermal Considerations
- Performance vs Package Options
- Evaluation Fixtures, Spice Models, and Applications Support
- Additional Reference Material
- Mechanical Package Drawings

WIDEBAND, NONINVERTING OPERATION

The THS4211 and the THS4215 are unity-gain stable, 1-GHz voltage-feedback operational amplifiers, with and without power-down capability, designed to operate from a single 5-V to 15-V power supply.

Figure 75 shows the noninverting gain configuration of 2 V/V used to demonstrate the typical performance curves. Most of the curves were characterized using signal sources with 50-Ω source impedance, and with measurement equipment presenting a 50-Ω load impedance. In Figure 75, the 49.9-Ω shunt resistor at the V_{IN} terminal matches the source impedance of the test generator. The total 499-Ω load at the output, combined with the 784-Ω total feedback-network load, presents the THS4211 and THS4215 with an effective output load of 305 Ω for the circuit shown in Figure 75.

Voltage-feedback amplifiers, unlike current-feedback designs, can use a wide range of resistor values to set their gain with minimal impact on their stability and frequency response. Larger-valued resistors decrease the loading effect of the feedback network on the output of the amplifier, but this enhancement comes at the expense of additional noise and potentially lower bandwidth. Feedback-resistor values between 392 Ω and 1 kΩ are recommended for most applications.

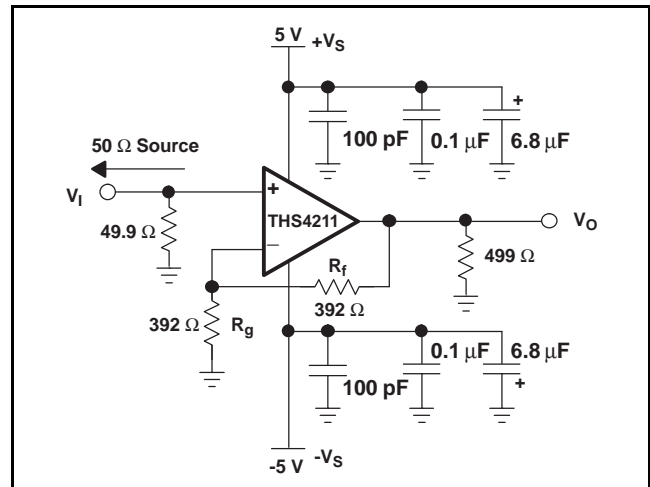


Figure 75. Wideband, Noninverting Gain Configuration

WIDEBAND, INVERTING GAIN OPERATION

Since the THS4211 and THS4215 are general-purpose, wideband voltage-feedback amplifiers, several familiar operational-amplifier applications circuits are available to the designer. Figure 76 shows a typical inverting configuration where the input and output impedances and noise gain from Figure 75 are retained in an inverting circuit configuration. Inverting operation is a common requirement and offers several performance benefits. The inverting configuration shows improved slew rates and distortion due to the pseudo-static voltage maintained on the inverting input.

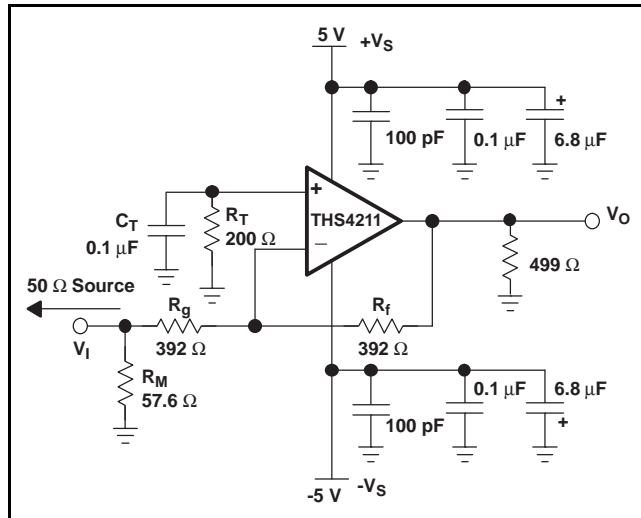


Figure 76. Wideband, Inverting Gain Configuration

In the inverting configuration, some key design considerations must be noted. One is that the gain resistor (R_g) becomes part of the signal-channel input impedance. If input impedance matching is desired (beneficial when the signal is coupled through a cable, twisted pair, long PCB trace, or other transmission line conductor), R_g may be set equal to the required termination value and R_f adjusted to give the desired gain. However, care must be taken when

dealing with low inverting gains, as the resultant feedback resistor value can present a significant load to the amplifier output. For an inverting gain of 2, setting R_g to 49.9 Ω for input matching eliminates the need for R_M but requires a 100- Ω feedback resistor. This has the advantage that the noise gain becomes equal to 2 for a 50- Ω source impedance—the same as the noninverting circuit in Figure 75. However, the amplifier output now sees the 100- Ω feedback resistor in parallel with the external load. To eliminate this excessive loading, it is preferable to increase both R_g and R_f values, as shown in Figure 76, and then achieve the input matching impedance with a third resistor (R_M) to ground. The total input impedance becomes the parallel combination of R_g and R_M .

The next major consideration is that the signal source impedance becomes part of the noise gain equation and hence influences the bandwidth. For example, the R_M value combines in parallel with the external 50- Ω source impedance (at high frequencies), yielding an effective source impedance of $50 \Omega \parallel 57.6 \Omega = 26.8 \Omega$. This impedance is then added in series with R_g for calculating the noise gain. The result is 1.9 for Figure 76, as opposed to the 1.8 if R_M is eliminated. The bandwidth is lower for the inverting gain-of-2 circuit in Figure 76 ($NG=+1.9$), than for the noninverting gain of 2 circuit in Figure 75.

The last major consideration in inverting amplifier design is setting the bias-current cancellation resistor on the noninverting input. If the resistance is set equal to the total dc resistance looking out of the inverting terminal, the output dc error, due to the input bias currents, is reduced to (input offset current) $\times R_f$ in Figure 76, the dc source impedance looking out of the inverting terminal is $392 \Omega \parallel (392 \Omega + 26.8 \Omega) = 200 \Omega$. To reduce the additional high-frequency noise introduced by the resistor at the noninverting input, and power-supply feedback, R_T is bypassed with a capacitor to ground.

SINGLE-SUPPLY OPERATION

The THS4211 is designed to operate from a single 5-V to 15-V power supply. When operating from a single power supply, care must be taken to ensure the input signal and amplifier are biased appropriately to maximize output voltage swing. The circuits shown in Figure 77 demonstrate methods to configure an amplifier for single-supply operation.

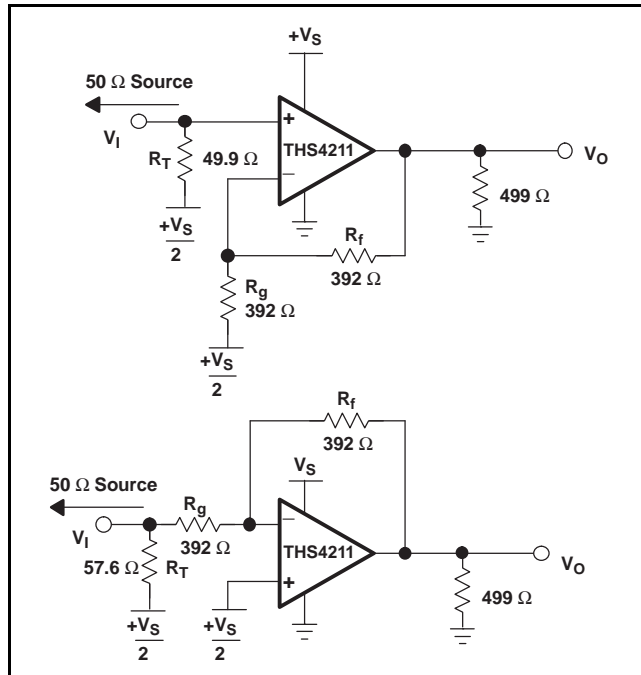


Figure 77. DC-Coupled Single Supply Operation

Saving Power with Power-Down Functionality and Setting Threshold Levels with the Reference Pin

The THS4215 features a power-down pin ($\overline{\text{PD}}$) which lowers the quiescent current from 19-mA down to 650- μA , ideal for reducing system power.

The power-down pin of the amplifiers defaults to the positive supply voltage in the absence of an applied voltage, putting the amplifier in the power-on mode of operation. To conserve power, the amplifier is turned off by driving the power-down pin towards the negative rail. The threshold voltages for power-on and power-down are relative to the supply rails, and are given in the specification tables. Above the *Enable Threshold Voltage*, the device is on. Below the *Disable Threshold Voltage*, the device is off. Behavior between these threshold voltages is not specified.

Note that this power-down functionality is just that; the amplifier consumes less power in power-down mode. The power-down mode is not intended to provide a high-impedance output. In other words, the power-down functionality is not intended to allow use as a 3-state bus driver. When in power-down mode, the impedance looking back into the output of the amplifier is dominated by the feedback and gain setting resistors, but the output impedance of the device itself varies depending on the voltage applied to the outputs.

The time delays associated with turning the device on and off are specified as the time it takes for the amplifier to reach 50% of the nominal quiescent current. The time delays are on the order of microseconds because the amplifier moves in and out of the linear mode of operation in these transitions.

Power-Down Reference Pin Operation

In addition to the power-down pin, the THS4215 also features a reference pin (REF) which allows the user to control the enable or disable power-down voltage levels applied to the $\overline{\text{PD}}$ pin. Operation of the reference pin as it relates to the power-down pin is described below.

In most split-supply applications, the reference pin will be connected to ground. In some cases, the user may want to connect it to the negative or positive supply rail. In either case, the user needs to be aware of the voltage level thresholds that apply to the power-down pin. The table below illustrates the relationship between the reference voltage and the power-down thresholds.

| REFERENCE VOLTAGE | POWER-DOWN PIN VOLTAGE | |
|-------------------------------------|-----------------------------------|-----------------------------------|
| | DEVICE DISABLED | DEVICE ENABLED |
| V_{S-} to $0.5 (V_{S-} + V_{S+})$ | $\leq \text{Ref} + 1.0 \text{ V}$ | $\geq \text{Ref} + 1.8 \text{ V}$ |
| $0.5 (V_{S-} + V_{S+})$ to V_{S+} | $\leq \text{Ref} - 1.5 \text{ V}$ | $\geq \text{Ref} - 1 \text{ V}$ |

The recommended mode of operation is to tie the reference pin to mid-rail, thus setting the threshold levels to mid-rail +1.0 V and mid-rail +1.8 V.

| NO. OF CHANNELS | PACKAGES |
|-----------------|--------------------------------------|
| Single (8-pin) | THS4215D, THS4215DGN, and THS4215DRB |

Power-Supply Decoupling Techniques and Recommendations

Power-supply decoupling is a critical aspect of any high-performance amplifier design process. Careful decoupling provides higher quality ac performance (most notably, improved distortion performance). The following guidelines ensure the highest level of performance.

1. Place decoupling capacitors as close to the power-supply inputs as possible, with the goal of minimizing the inductance of the path from ground to the power supply.
2. Placement priority should put the smallest valued capacitors closest to the device.
3. Use of solid power and ground planes is recommended to reduce the inductance along power-supply return current paths, with the exception of the areas underneath the input and output pins.
4. Recommended values for power-supply decoupling include a bulk decoupling capacitor (6.8 μF to 22 μF), a mid-range decoupling capacitor (0.1 μF) and a high-frequency decoupling capacitor (1000 pF) for each supply. A 100-pF capacitor can be used across the supplies as well for extremely high-frequency return currents, but often is not required.

APPLICATION CIRCUITS

Driving an Analog-to-Digital Converter with the THS4211

The THS4211 can be used to drive high-performance analog-to-digital converters. Two example circuits are presented below.

The first circuit (in Figure 78) uses a wideband transformer to convert a single-ended input signal into a differential signal. The differential signal is then amplified and filtered by two THS4211 amplifiers. This circuit provides low intermodulation distortion, suppressed even-order distortion, 14 dB of voltage gain, a 50- Ω input impedance, and a single-pole filter at 100 MHz. For applications without signal content at dc, this method of driving ADCs can be very useful. Where dc information content is required, the THS4500 family of fully differential amplifiers may be applicable.

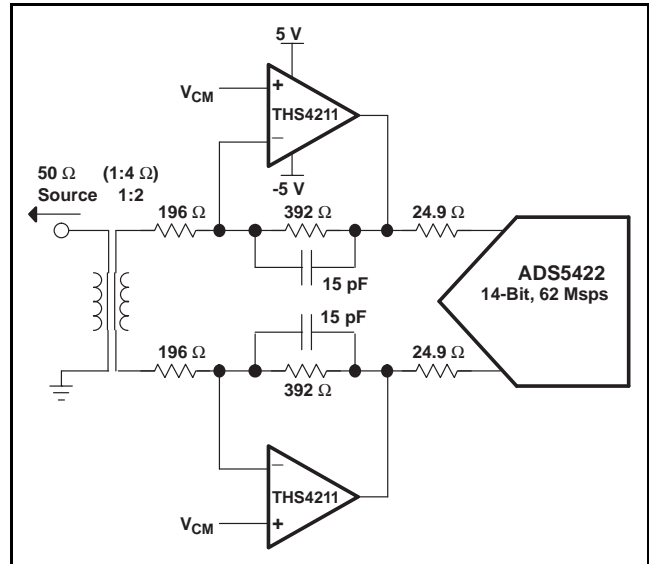


Figure 78. A Linear, Low-Noise, High-Gain ADC Preamp

The second circuit depicts single-ended ADC drive. While not recommended for optimum performance using converters with differential inputs, satisfactory performance can sometimes be achieved with single-ended input drive. An example circuit is shown in Figure 79 for reference.

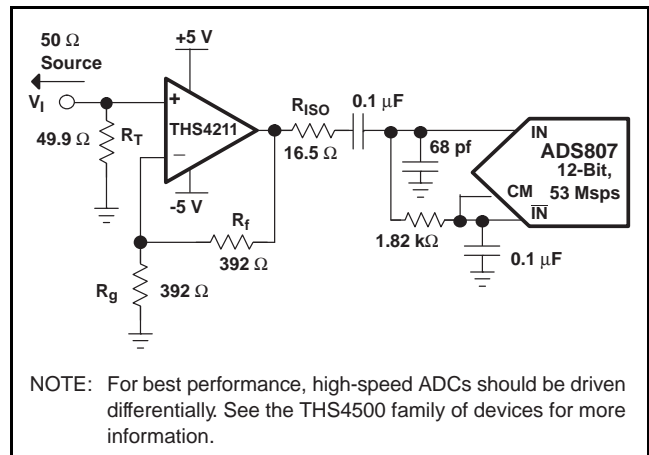


Figure 79. Driving an ADC With a Single-Ended Input

Using the THS4211 as a DAC Output Buffer

Two example circuits are presented here showing the THS4211 buffering the output of a digital-to-analog converter. The first circuit (Figure 80) performs a differential to single-ended conversion with the THS4211 configured as a difference amplifier. The difference amplifier can double as the termination mechanism for the DAC outputs as well.

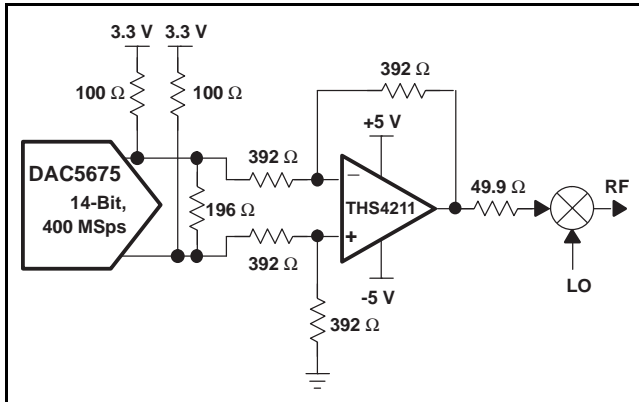


Figure 80. Differential to Single-Ended Conversion of a High-Speed DAC Output

For cases where a differential signaling path is desirable, a pair of THS4211 amplifiers can be used as output buffers. The circuit in Figure 81 depicts a differential drive into a mixer's IF inputs, coupled with additional signal gain and filtering.

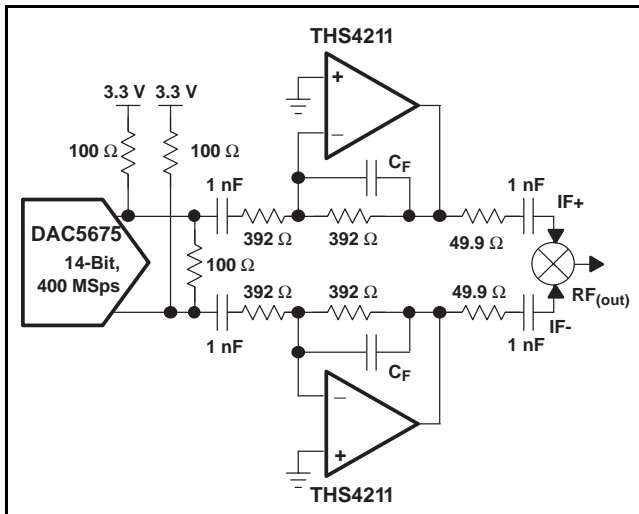


Figure 81. Differential Mixer Drive Circuit Using the DAC5675 and the THS4211

Active Filtering with the THS4211

High-frequency active filtering with the THS4211 is achievable due to the amplifier's high slew-rate, wide bandwidth, and voltage feedback architecture. Several options are available for high-pass, low-pass, bandpass, and bandstop filters of varying orders. A simple two-pole low pass filter is presented in Figure 82 as an example, with two poles at 100 MHz.

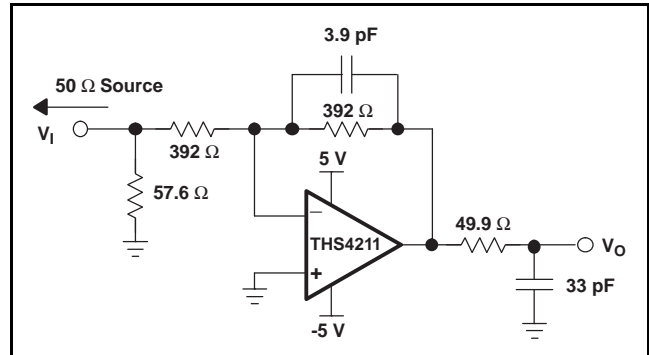


Figure 82. A Two-Pole Active Filter With Two Poles Between 90 MHz and 100 MHz

A Low-Noise Receiver with the THS4211

A combination of two THS4211 amplifiers can create a high-speed, low-distortion, low-noise differential receiver circuit as depicted in Figure 83. With both amplifiers operating in the noninverting mode of operation, the circuit presents a high load impedance to the source. The designer has the option of controlling the impedance through termination resistors if a matched termination impedance is desired.

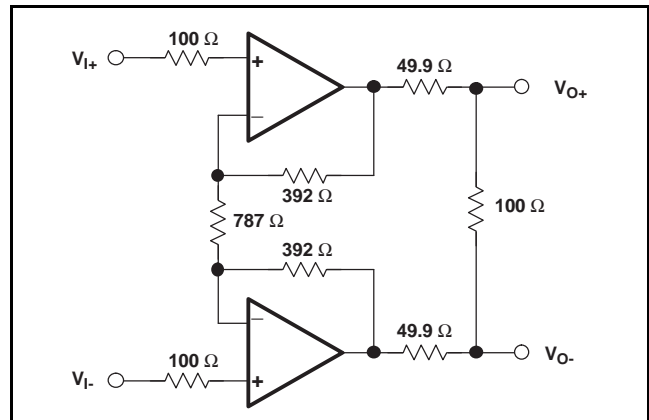


Figure 83. A High Input Impedance, Low-Noise, Differential Receiver

A modification on this circuit to include a difference amplifier turns this circuit into a high-speed instrumentation amplifier, as shown in Figure 84.

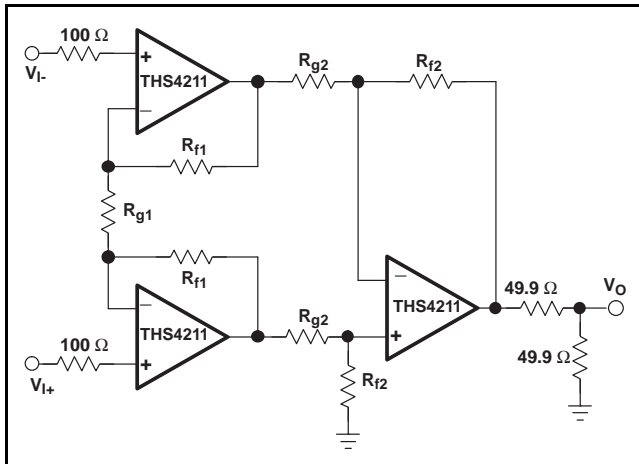


Figure 84. A High-Speed Instrumentation Amplifier

$$V_o = \frac{1}{2} \left(1 + \frac{2R_{f1}}{R_{g1}} \right) (V_{i+} - V_{i-}) \left(\frac{R_{f2}}{R_{g2}} \right) \quad (1)$$

THEORY AND GUIDELINES

Distortion Performance

The THS4211 provides excellent distortion performance into a 150-Ω load. Relative to alternative solutions, it provides exceptional performance into lighter loads, as well as exceptional performance on a single 5-V supply. Generally, until the fundamental signal reaches very high frequency or power levels, the 2nd harmonic dominates the total harmonic distortion with a negligible 3rd harmonic component. Focusing then on the 2nd harmonic, increasing the load impedance directly improves distortion. The total load includes the feedback network; in the noninverting configuration (Figure 75) this is the sum of R_f and R_g , while in the inverting configuration (Figure 76), only R_f needs to be included in parallel with the actual load.

LINEARITY: DEFINITIONS, TERMINOLOGY, CIRCUIT TECHNIQUES, AND DESIGN TRADEOFFS

The THS4211 features excellent distortion performance for monolithic operational amplifiers. This section focuses on the fundamentals of distortion, circuit techniques for reducing nonlinearity, and methods for equating distortion of operational amplifiers to desired linearity specifications in RF receiver chains.

Amplifiers are generally thought of as *linear* devices. The output of an amplifier is a linearly-scaled version of the input signal applied to it. However, amplifier transfer functions are nonlinear. Minimizing amplifier nonlinearity is a primary design goal in many applications.

Intercept points are specifications long used as key design criteria in the RF communications world as a metric for the intermodulation distortion performance of a device in the signal chain (e.g., amplifiers, mixers, etc.). Use of the intercept point, rather than strictly the intermodulation distortion, allows simpler system-level calculations. Intercept points, like noise figures, can be easily cascaded back and forth through a signal chain to determine the overall receiver chain's intermodulation distortion performance. The relationship between intermodulation distortion and intercept point is depicted in Figure 85 and Figure 86.

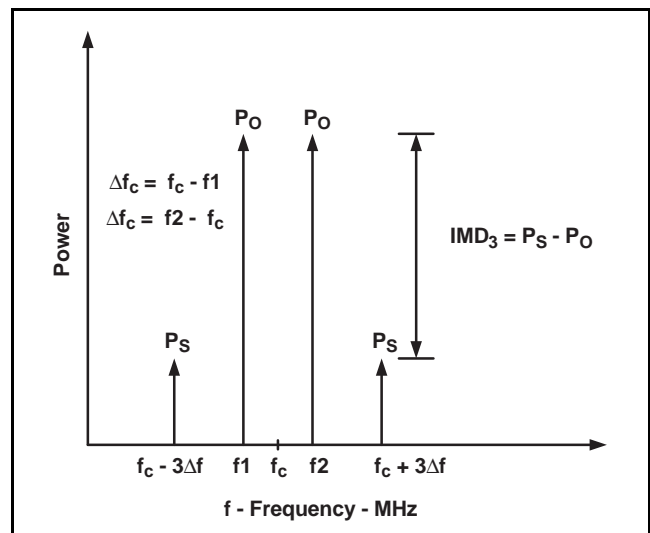


Figure 85.

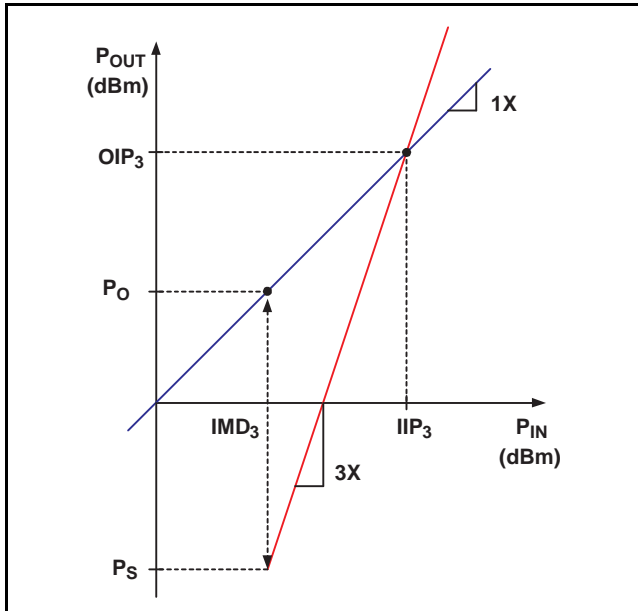


Figure 86.

Due to the intercept point's ease of use in system level calculations for receiver chains, it has become the specification of choice for guiding distortion-related design decisions. Traditionally, these systems use primarily class-A, single-ended RF amplifiers as gain blocks. These RF amplifiers are typically designed to operate in a 50-Ω environment. Giving intercept points in dBm implies an associated impedance (50 Ω).

However, with an operational amplifier, the output does not require termination as an RF amplifier would. Because closed-loop amplifiers deliver signals to their outputs regardless of the impedance present, it is important to comprehend this when evaluating the intercept point of an operational amplifier. The THS4211 yields optimum distortion performance when loaded with 150 Ω to 1 kΩ, very similar to the input impedance of an analog-to-digital converter over its input frequency band.

As a result, terminating the input of the ADC to 50 Ω can actually be detrimental to system performance.

The discontinuity between open-loop, class-A amplifiers and closed-loop, class-AB amplifiers becomes apparent when comparing the intercept points of the two types of devices. Equation 2 and Equation 3 define an intercept point, relative to the intermodulation distortion.

$$OIP_3 = P_O + \left(\frac{|IMD_3|}{2} \right) \text{ where} \quad (2)$$

$$P_O = 10 \log \left(\frac{V_P^2}{2R_L \times 0.001} \right) \quad (3)$$

NOTE: P_O is the output power of a single tone, R_L is the load resistance, and V_P is the peak voltage for a single tone.

NOISE ANALYSIS

High slew rate, unity-gain stable, voltage-feedback operational amplifiers usually achieve their slew rate at the expense of a higher input noise voltage. The 7-nV/√Hz input voltage noise for the THS4211 and THS4215 is, however, much lower than comparable amplifiers. The input-referred voltage noise and the two input-referred current noise terms (4 pA/√Hz) combine to give low output noise under a wide variety of operating conditions. Figure 87 shows the amplifier noise analysis model with all the noise terms included. In this model, all noise terms are taken to be noise voltage or current density terms in either nV/√Hz or pA/√Hz.

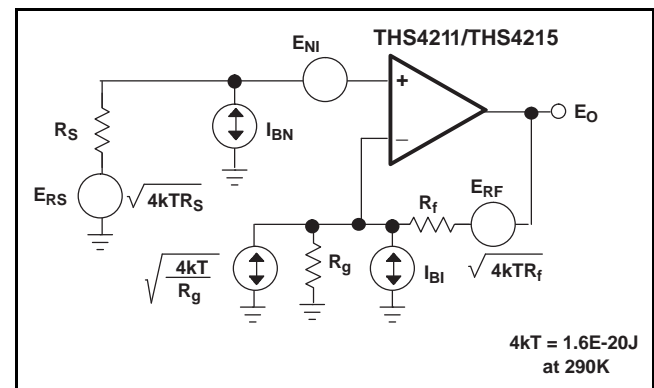


Figure 87. Noise Analysis Model

The total output shot noise voltage can be computed as the square of all square output noise voltage contributors. Equation 4 shows the general form for the output noise voltage using the terms shown in Equation 4:

$$E_O = \sqrt{\left(E_{NI}^2 + (I_{BN}R_S)^2 + 4kTR_S \right) NG^2 + (I_{Bf}R_f)^2 + 4kTR_f NG} \quad (4)$$

Dividing this expression by the noise gain [NG= (1 + R_f/R_g)] gives the equivalent input-referred spot noise voltage at the noninverting input, as shown in Equation 5:

$$E_O = \sqrt{E_{NI}^2 + (I_{BN}R_S)^2 + 4kTR_S + \left(\frac{I_{BI}R_f}{NG}\right)^2 + \frac{4kTR_f}{NG}} \quad (5)$$

Driving Capacitive Loads

One of the most demanding, and yet very common, load conditions for an op amp is capacitive loading. Often, the capacitive load is the input of an A/D converter, including additional external capacitance, which may be recommended to improve A/D linearity. A high-speed, high open-loop gain amplifier like the THS4211 can be very susceptible to decreased stability and closed-loop response peaking when a capacitive load is placed directly on the output pin. When the amplifier's open-loop output resistance is considered, this capacitive load introduces an additional pole in the signal path that can decrease the phase margin. When the primary considerations are frequency response flatness, pulse response fidelity, or distortion, the simplest and most effective solution is to isolate the capacitive load from the feedback loop by inserting a series isolation resistor between the amplifier output and the capacitive load. This does not eliminate the pole from the loop response, but rather shifts it and adds a zero at a higher frequency. The additional zero acts to cancel the phase lag from the capacitive load pole, thus increasing the phase margin and improving stability.

The Typical Characteristics show the recommended isolation resistor vs capacitive load and the resulting frequency response at the load. Parasitic capacitive loads greater than 2 pF can begin to degrade the performance of the THS4211. Long PCB traces, unmatched cables, and connections to multiple devices can easily cause this value to be exceeded. Always consider this effect carefully, and add the recommended series resistor as close as possible to the THS4211 output pin (see [Board Layout Guidelines](#)).

The criterion for setting this R_(ISO) resistor is a maximum bandwidth, flat frequency response at the load. For a gain of +2, the frequency response at the output pin is already slightly peaked without the capacitive load, requiring relatively high values of R_(ISO) to flatten the response at the load. Increasing the noise gain also reduces the peaking.

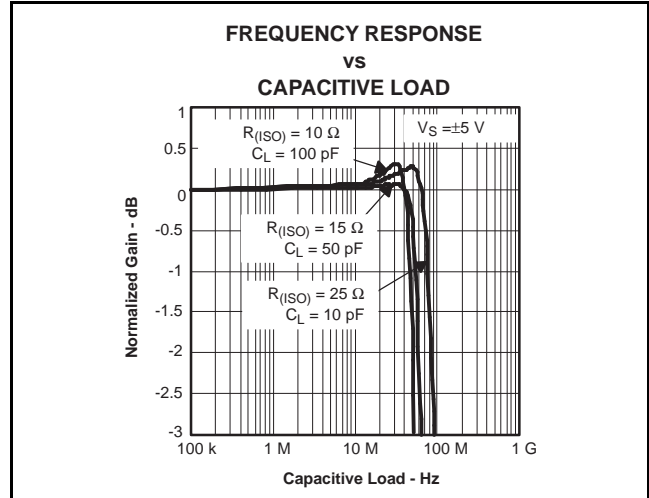


Figure 88. Isolation Resistor Diagram

BOARD LAYOUT

Achieving optimum performance with a high frequency amplifier like the THS4211 requires careful attention to board layout parasitics and external component types.

Recommendations that optimize performance include the following:

1. **Minimize parasitic capacitance to any ac ground for all of the signal I/O pins.** Parasitic capacitance on the output and inverting input pins can cause instability: on the noninverting input, it can react with the source impedance to cause unintentional band limiting. To reduce unwanted capacitance, a window around the signal I/O pins should be opened in all of the ground and power planes around those pins. Otherwise, ground and power planes should be unbroken elsewhere on the board.
2. **Minimize the distance (< 0.25") from the power supply pins to high frequency 0.1-μF decoupling capacitors.** At the device pins, the ground and power plane layout should not be in close proximity to the signal I/O pins. Avoid narrow power and ground traces to minimize inductance between the pins and the decoupling capacitors. The power supply connections should always be decoupled with these capacitors. Larger (2.2-μF to 6.8-μF) decoupling capacitors, effective at lower frequency, should also be used on the main supply pins. These may be placed somewhat farther from the device and may be shared among several devices in the same area of the PCB.

3. **Careful selection and placement of external components preserves the high frequency performance of the THS4211.** Resistors should be a very low reactance type. Surface-mount resistors work best and allow a tighter overall layout. Metal-film and carbon composition, axially-leaded resistors can also provide good high frequency performance. Again, keep their leads and PCB trace length as short as possible. Never use wire-wound type resistors in a high-frequency application. Since the output pin and inverting input pin are the most sensitive to parasitic capacitance, always position the feedback and series output resistor, if any, as close as possible to the output pin. Other network components, such as noninverting input-termination resistors, should also be placed close to the package. Where double-side component mounting is allowed, place the feedback resistor directly under the package on the other side of the board between the output and inverting input pins. Even with a low parasitic capacitance shunting the external resistors, excessively high resistor values can create significant time constants that can degrade performance. Good axial metal-film or surface-mount resistors have approximately 0.2 pF in shunt with the resistor. For resistor values > 2.0 kΩ, this parasitic capacitance can add a pole and/or a zero below 400 MHz that can effect circuit operation. Keep resistor values as low as possible, consistent with load driving considerations. A good starting point for design is to set the R_f to 249 Ω for low-gain, noninverting applications. This setting automatically keeps the resistor noise terms low and minimizes the effect of their parasitic capacitance.
4. **Connections to other wideband devices on the board may be made with short direct traces or through onboard transmission lines.** For short connections, consider the trace and the input to the next device as a lumped capacitive load. Relatively wide traces (50 mils to 100 mils) should be used, preferably with ground and power planes opened up around them. Estimate the total capacitive load and set R_{ISO} from the plot of recommended R_{ISO} vs capacitive load (See [Figure 88](#)). Low parasitic capacitive loads (< 4 pF) may not need an R_{ISO} , since the THS4211 is nominally compensated to operate with a 2-pF parasitic load. Higher parasitic capacitive loads without an R_{ISO} are allowed as the signal gain increases (increasing the unloaded phase margin). If a long trace is required, and the 6-dB signal loss intrinsic to a doubly-terminated transmission line is acceptable, implement a matched impedance transmission line using microstrip or stripline techniques (consult an ECL design handbook for microstrip and stripline

layout techniques). A 50-Ω environment is normally not necessary onboard, and in fact a higher impedance environment improves distortion as shown in the distortion versus load plots. With a characteristic board trace impedance defined on the basis of board material and trace dimensions, a matching series resistor into the trace from the output of the THS4211 is used as well as a terminating shunt resistor at the input of the destination device. Remember also that the terminating impedance is the parallel combination of the shunt resistor and the input impedance of the destination device: this total effective impedance should be set to match the trace impedance. If the 6-dB attenuation of a doubly-terminated transmission line is unacceptable, a long trace can be series-terminated at the source end only. Treat the trace as a capacitive load in this case and set the series resistor value as shown in the plot of R_{ISO} vs capacitive load (See [Figure 88](#)). This setting does not preserve signal integrity or a doubly-terminated line. If the input impedance of the destination device is low, there is some signal attenuation due to the voltage divider formed by the series output into the terminating impedance.

5. **Socketing a high speed part like the THS4211 is not recommended.** The additional lead length and pin-to-pin capacitance introduced by the socket can create a troublesome parasitic network which can make it almost impossible to achieve a smooth, stable frequency response. Best results are obtained by soldering the THS4211 onto the board.

PowerPAD™ DESIGN CONSIDERATIONS

The THS4211 and THS4215 are available in a thermally-enhanced PowerPAD family of packages. These packages are constructed using a downset leadframe upon which the die is mounted [see [Figure 89\(a\)](#) and [Figure 89\(b\)](#)]. This arrangement results in the lead frame being exposed as a thermal pad on the underside of the package [see [Figure 89\(c\)](#)]. Because this thermal pad has direct thermal contact with the die, excellent thermal performance can be achieved by providing a good thermal path away from the thermal pad.

The PowerPAD package allows both assembly and thermal management in one manufacturing operation.

During the surface-mount solder operation (when the leads are being soldered), the thermal pad can also be soldered to a copper area underneath the package. Through the use of thermal paths within this copper area, heat can be conducted away from the package into either a ground plane or other heat dissipating device.

The PowerPAD package represents a breakthrough in combining the small area and ease of assembly of surface mount with the heretofore awkward mechanical methods of heatsinking.

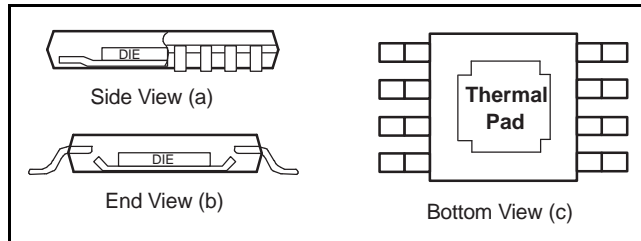


Figure 89. Views of Thermally Enhanced Package

Although there are many ways to properly heatsink the PowerPAD package, the following steps illustrate the recommended approach.

PowerPAD PCB LAYOUT CONSIDERATIONS

1. Prepare the PCB with a top side etch pattern as shown in Figure 90. There should be etching for the leads as well as etch for the thermal pad.

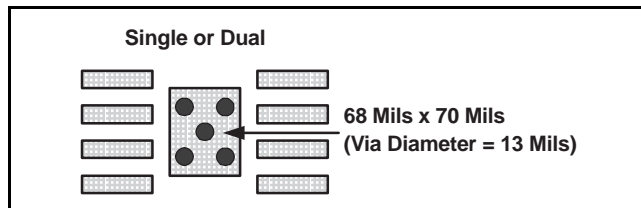


Figure 90. PowerPAD PCB Etch and Via Pattern

2. Place five holes in the area of the thermal pad. These holes should be 13 mils in diameter. Keep them small so that solder wicking through the holes is not a problem during reflow.
3. Additional vias may be placed anywhere along the thermal plane outside of the thermal pad area. They help dissipate the heat generated by the THS4211 and THS4215 IC. These additional vias may be larger than the 13-mil diameter vias directly under the thermal pad. They can be larger because they are not in the thermal pad area to be soldered, so wicking is not a problem.
4. Connect all holes to the internal ground plane.
5. When connecting these holes to the ground plane, **do not** use the typical web or spoke via connection methodology. Web connections have a high thermal resistance connection that is useful for slowing the heat transfer during soldering operations. This resistance makes the soldering of vias that have plane connections easier. In this application, however, low thermal resistance is desired for the most efficient heat

transfer. Therefore, the holes under the THS4211 and THS4215 PowerPAD package should make their connection to the internal ground plane, with a complete connection around the entire circumference of the plated-through hole.

6. The top-side solder mask should leave the terminals of the package and the thermal pad area with its five holes exposed. The bottom-side solder mask should cover the five holes of the thermal pad area. This prevents solder from being pulled away from the thermal pad area during the reflow process.
7. Apply solder paste to the exposed thermal pad area and all of the IC terminals.
8. With these preparatory steps in place, the IC is simply placed in position and run through the solder reflow operation as any standard surface-mount component. This results in a part that is properly installed.

For a given θ_{JA} , the maximum power dissipation is shown in Figure 91 and is calculated by Equation 6:

$$P_D = \frac{T_{max} - T_A}{\theta_{JA}}$$

where

P_D = Maximum power dissipation of THS4211 (watts)

T_{MAX} = Absolute maximum junction temperature (150°C)

T_A = Free-ambient temperature (°C)

$$\theta_{JA} = \theta_{JC} + \theta_{CA}$$

θ_{JC} = Thermal coefficient from junction to the case

θ_{CA} = Thermal coefficient from the case to ambient air (°C/W).

(6)

The next consideration is the package constraints. The two sources of heat within an amplifier are quiescent power and output power. The designer should never forget about the quiescent heat generated within the device, especially multi-amplifier devices. Because these devices have linear output stages (Class AB), most of the heat dissipation is at low output voltages with high output currents.

The other key factor when dealing with power dissipation is how the devices are mounted on the PCB. The PowerPAD devices are extremely useful for heat dissipation. But, the device should always be soldered to a copper plane to fully use the heat dissipation properties of the PowerPAD. The SOIC package, on the other hand, is highly dependent on how it is mounted on the PCB. As more trace and copper area is placed around the device, θ_{JA} decreases and the heat dissipation capability increases. For a single package, the sum of the RMS output currents and voltages should be used to choose the proper package.

THERMAL ANALYSIS

The THS4211 device does not incorporate automatic thermal shutoff protection, so the designer must take care to ensure that the design does not violate the absolute maximum junction temperature of the device. Failure may result if the absolute maximum junction temperature of 150°C is exceeded.

The thermal characteristics of the device are dictated by the package and the PCB. Maximum power dissipation for a given package can be calculated using Equation 7:

$$P_{Dmax} = \frac{T_{max} - T_A}{\theta_{JA}}$$

where

P_{Dmax} is the maximum power dissipation in the amplifier (W).

T_{max} is the absolute maximum junction temperature (°C).

T_A is the ambient temperature (°C).

$\theta_{JA} = \theta_{JC} + \theta_{CA}$

θ_{JC} is the thermal coefficient from the silicon junctions to the case (°C/W).

θ_{CA} is the thermal coefficient from the case to ambient air (°C/W).

(7)

For systems where heat dissipation is more critical, the THS4211 is offered in an 8-pin MSOP with PowerPAD. The thermal coefficient for the MSOP PowerPAD package is substantially improved over the traditional SOIC. Maximum power dissipation levels are depicted in the graph for the two packages. The data for the DGN package assumes a board layout that follows the PowerPAD layout guidelines referenced above and detailed in the PowerPAD application notes in the *Additional Reference Material* section at the end of the data sheet.

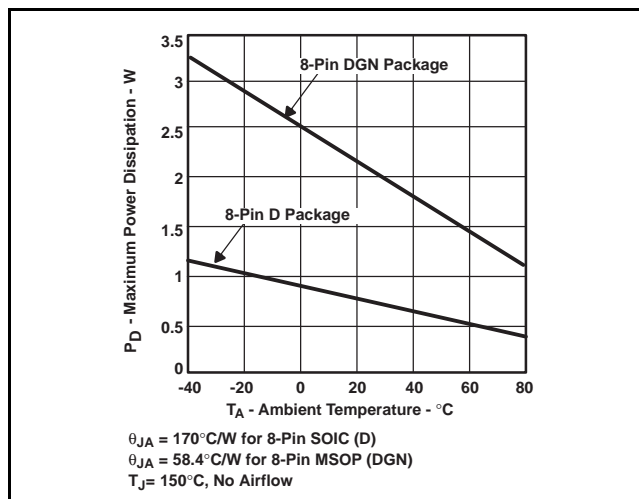


Figure 91. Maximum Power Dissipation vs Ambient Temperature

When determining whether or not the device satisfies the maximum power dissipation requirement, it is important to consider not only quiescent power dissipation, but also dynamic power dissipation. Often maximum power dissipation is difficult to quantify because the signal pattern is inconsistent, but an estimate of the RMS power dissipation can provide visibility into a possible problem.

DESIGN TOOLS

Performance vs Package Options

The THS4211 and THS4215 are offered in a different package options. However, performance may be limited due to package parasitics and lead inductance in some packages. In order to achieve maximum performance of the THS4211 and THS4215, Texas Instruments recommends using the leadless MSOP (DRB) or MSOP (DGN) packages, in addition to proper high-speed PCB layout. Figure 92 shows the unity-gain frequency response of the THS4211 using the leadless MSOP, MSOP, and SOIC package for comparison. Using the THS4211 and THS4215 in a unity-gain with the SOIC package may result in the device becoming unstable. In higher gain configurations, this effect is mitigated by the reduced bandwidth. As such, the SOIC is suitable for application with gains equal to or higher than +2 V/V or (-1 V/V).

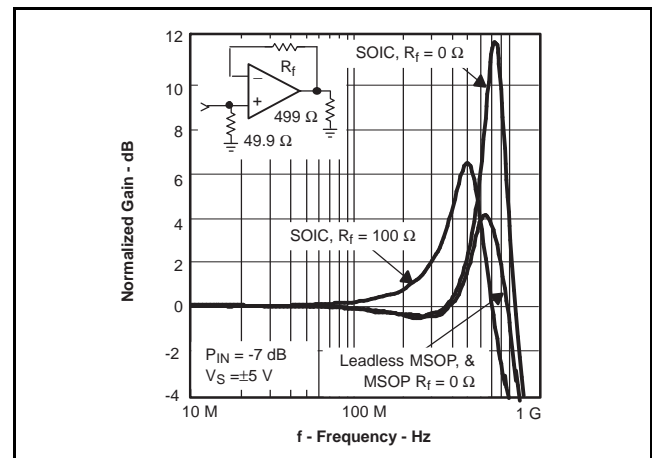


Figure 92. Effects of Unity-Gain Frequency Response for Differential Packages

Evaluation Fixtures, SPICE Models, and Applications Support

Texas Instruments is committed to providing its customers with the highest quality of applications support. To support this goal, evaluation boards have been developed for the THS4211 operational amplifier. Three evaluation boards are available: one THS4211 and one THS4215, both configurable for different gains, and a third for unity gain (THS4211 only). These boards are easy to use, allowing for straightforward evaluation of the device. These evaluation boards can be ordered through the Texas Instruments web site at www.ti.com, or through your local Texas Instruments sales representative. Schematics for the evaluation boards are shown below.

The THS4211/THS4215 EVM board shown in [Figure 95](#) through [Figure 99](#) accommodates different gain configurations. Its default component values are set to give a gain of 2. The EVM can be configured for unity-gain; however, it is strongly not recommended. Evaluating the THS4211/THS4215 in unity-gain using this EVM may cause the device to become unstable. The stability of the device can be controlled by adding a large resistor in the feedback path, but performance is sacrificed. [Figure 93](#) shows the small-signal frequency response of the THS4211 with different feedback resistors in the feedback path. [Figure 94](#) is the small frequency response of the THS4211 using the unity-gain EVM.

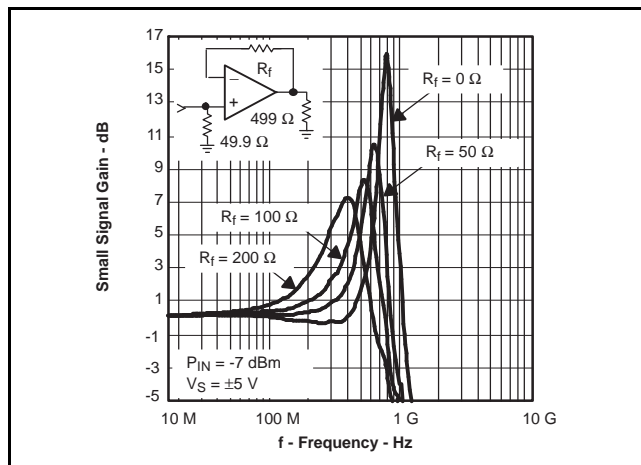


Figure 93. Frequency Response vs Feedback Resistor Using the EDGE #6439527 EVM

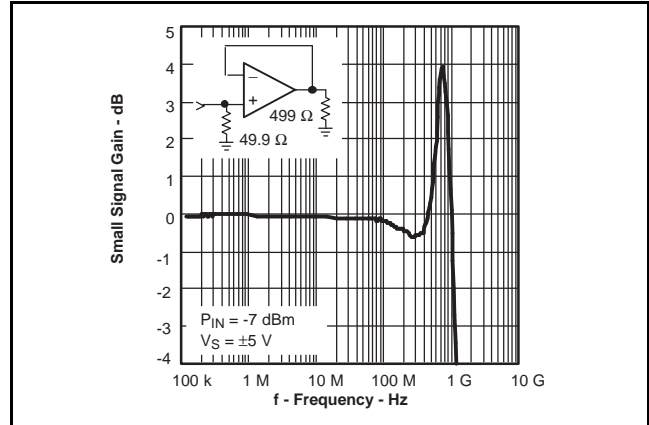


Figure 94. Frequency Response Using the EDGE #6443547 G = +1 EVM

The frequency-response peaking is due to the lead inductance in the feedback path. Each pad and trace on a PCB has an inductance associated with it, which in conjunction with the inductance associated with the package may cause frequency-response peaking, causing the device to become unstable.

In order to achieve the maximum performance of the device, PCB layout is very critical. Texas Instruments has developed an EVM for the evaluation of the THS4211 configured for a gain of 1. The EVM is shown in [Figure 100](#) through [Figure 104](#). This EVM is designed to minimize peaking in the unity-gain configuration.

Minimizing the inductance in the feedback path is critical for reducing the peaking of the frequency response in unity-gain. The recommended maximum inductance allowed in the feedback path is 4 nH. This inductance can be calculated using [Equation 8](#):

$$L(\text{nH}) = K\ell \left[\ln \frac{2\ell}{W + T} + 0.223 \frac{W + T}{\ell} + 0.5 \right]$$

where

W = Width of trace in inches.

ℓ = Length of the trace in inches.

T = Thickness of the trace in inches.

K = 5.08 for dimensions in inches, and K = 2 for dimensions in cm.

(8)

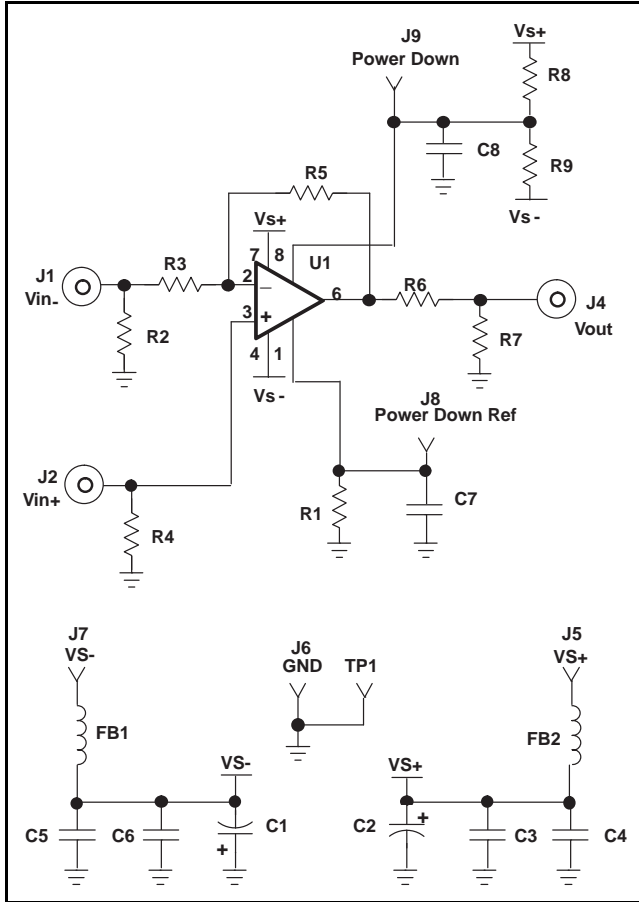


Figure 95. THS4211/THS4215 EVM Circuit Configuration

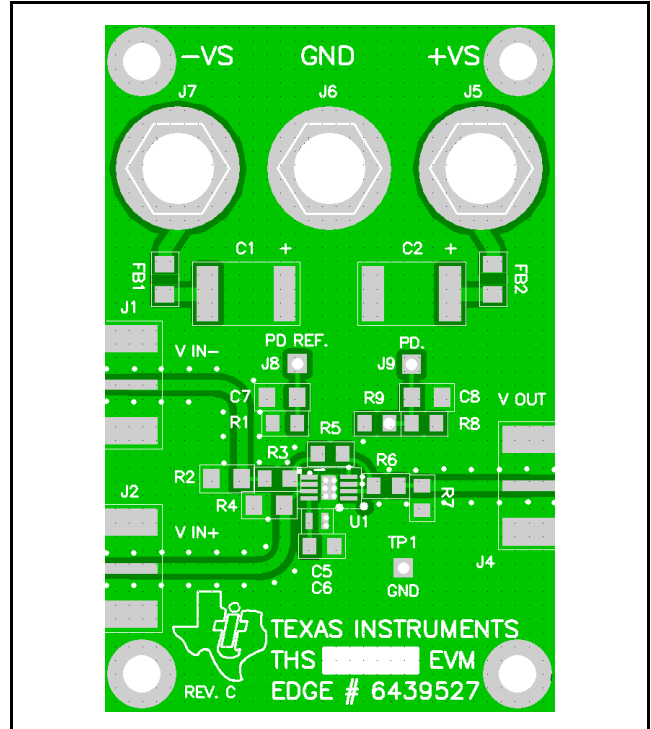


Figure 96. THS4211/THS4215 EVM Board Layout (Top Layer)

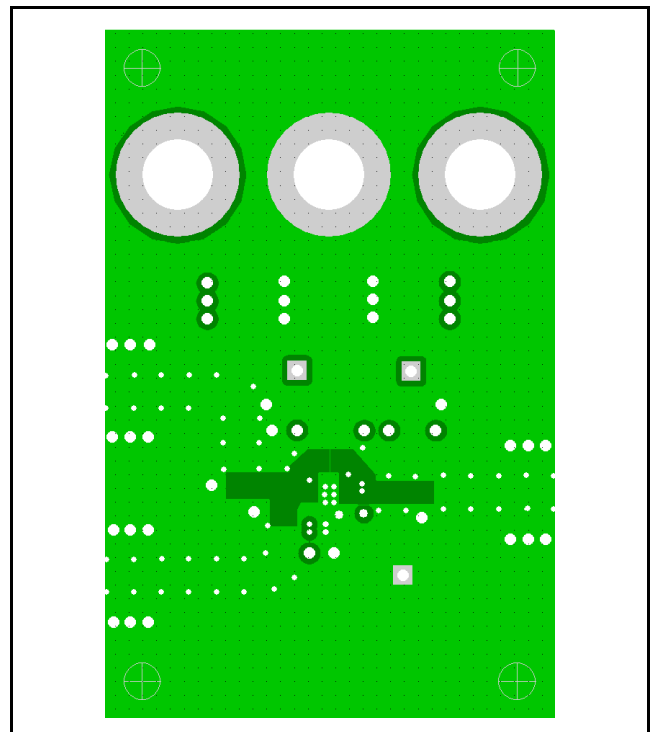


Figure 97. THS4211/THS4215 EVM Board Layout (Second Layer, Ground)

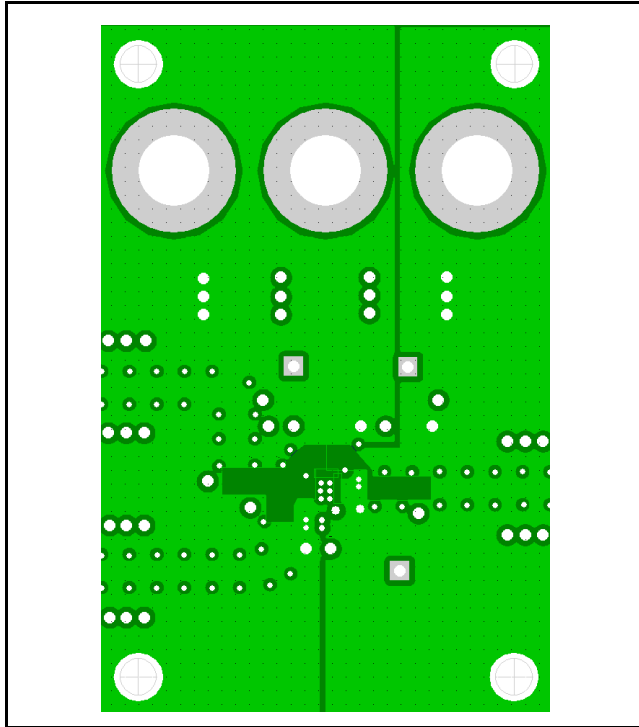


Figure 98. THS4211/THS4215 EVM Board Layout (Third Layer, Power)

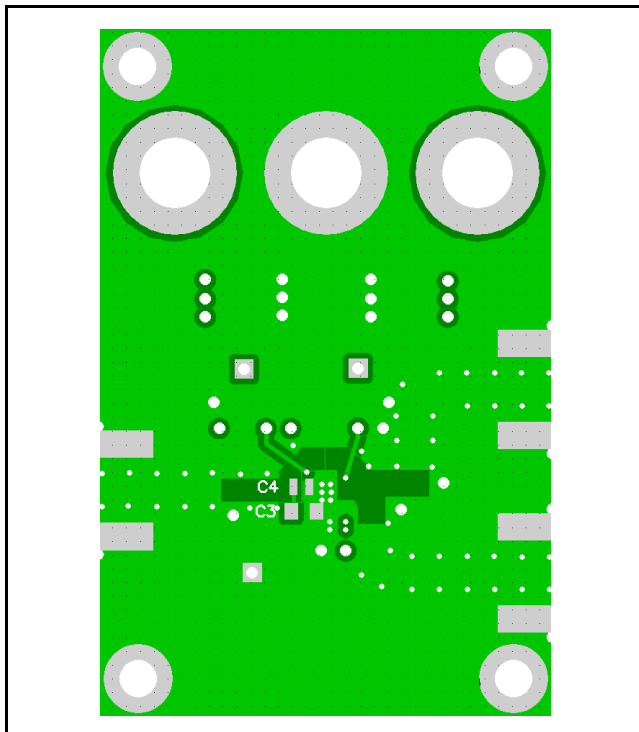


Figure 99. THS4211/THS4215 EVM Board Layout (Bottom Layer)

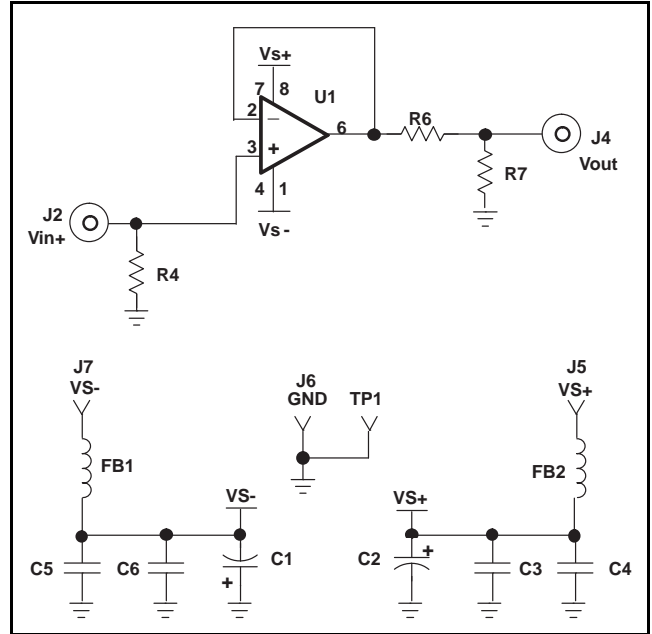


Figure 100. THS4211 Unity-Gain EVM Circuit Configuration

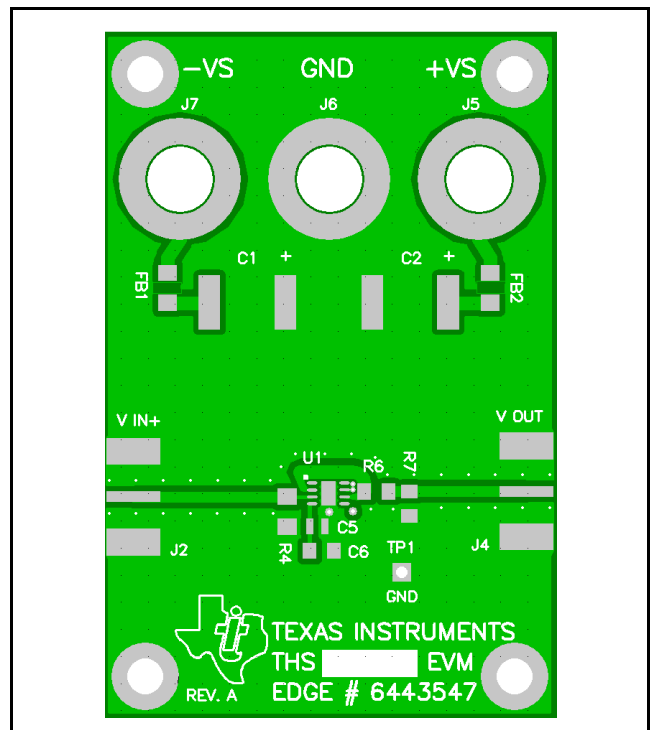


Figure 101. THS4211 Unity-Gain EVM Board Layout (Top Layer)

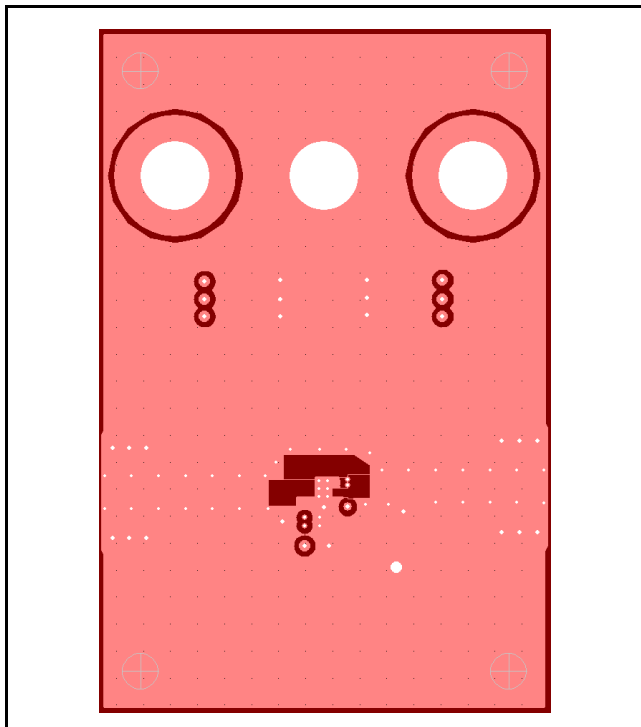


Figure 102. THS4211 Unity-Gain EVM Board Layout (Second Layer, Ground)

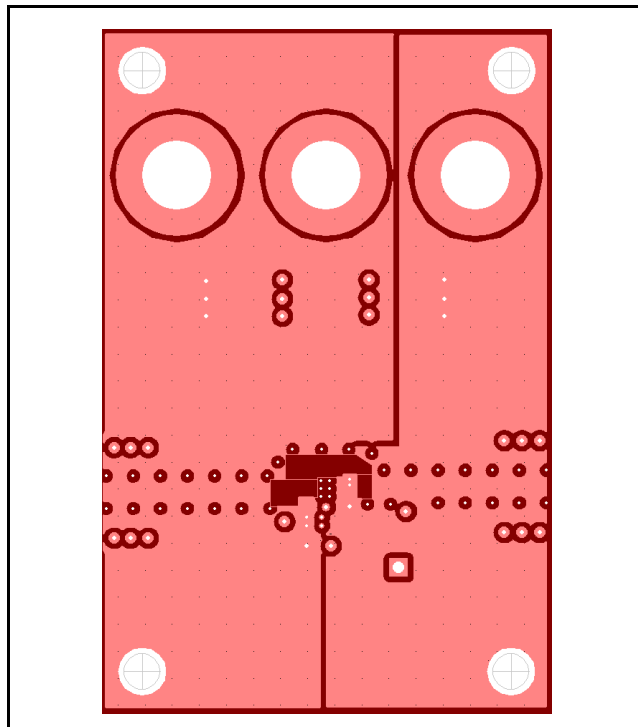


Figure 103. THS4211 Unity-Gain EVM Board Layout (Third Layer, Power)

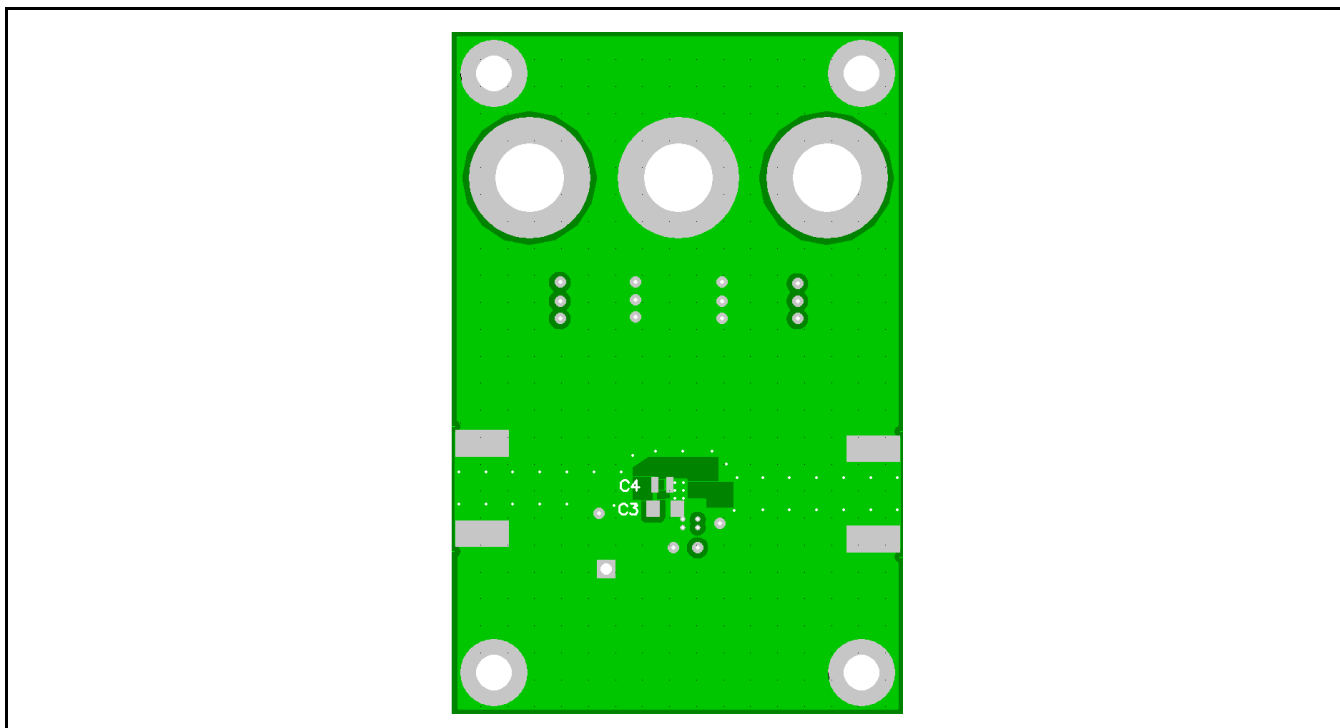


Figure 104. THS4211 Unity-Gain EVM Board Layout (Bottom Layer)

Computer simulation of circuit performance using SPICE is often useful when analyzing the performance of analog circuits and systems. This is particularly true for video and RF amplifier circuits, where parasitic capacitance and inductance can have a major effect on circuit performance. A SPICE model for the THS4500 family of devices is available through the Texas Instruments web site (www.ti.com).

The Product Information Center (PIC) is available for design assistance and detailed product information. These models do a good job of predicting small-signal ac and transient performance under a wide variety of operating conditions. They are not intended to model the distortion characteristics of the amplifier, nor do they attempt to distinguish between the package types in their small-signal ac performance. Detailed information about what is and is not modeled is contained in the model file itself.

ADDITIONAL REFERENCE MATERIAL

- *PowerPAD Made Easy*, application brief ([SLMA004](#))
- *PowerPAD Thermally-Enhanced Package*, technical brief ([SLMA002](#))

REVISION HISTORY

NOTE: Page numbers for previous revisions may differ from page numbers in the current version.

| Changes from Revision D (November, 2004) to Revision E | Page |
|--|-------------|
| • Updated document format to current standards | 1 |
| • Changed high output drive (I _O) bullet in Features list from 200 mA to 170 mA | 1 |
| • Changed Absolute Maximum Ratings table; increased <i>output current</i> specification, deleted <i>lead temperature</i> specification | 2 |
| • Corrected typo in <i>Turn-off-time delay</i> parametric units; changed to μs | 7 |

PACKAGING INFORMATION

| Orderable part number | Status (1) | Material type (2) | Package Pins | Package qty Carrier | RoHS (3) | Lead finish/ Ball material (4) | MSL rating/ Peak reflow (5) | Op temp (°C) | Part marking (6) |
|-----------------------------|---------------|----------------------|------------------|-----------------------|-------------|--------------------------------------|-----------------------------------|--------------|---------------------|
| THS4211D | Active | Production | SOIC (D) 8 | 75 TUBE | Yes | NIPDAU | Level-1-260C-UNLIM | -40 to 85 | 4211 |
| THS4211D.A | Active | Production | SOIC (D) 8 | 75 TUBE | Yes | NIPDAU | Level-1-260C-UNLIM | -40 to 85 | 4211 |
| THS4211DGK | Active | Production | VSSOP (DGK) 8 | 80 TUBE | Yes | NIPDAU NIPDAUAG | Level-1-260C-UNLIM | -40 to 85 | BEJ |
| THS4211DGK.A | Active | Production | VSSOP (DGK) 8 | 80 TUBE | Yes | NIPDAU | Level-1-260C-UNLIM | -40 to 85 | BEJ |
| THS4211DGN | Active | Production | HVSSOP (DGN) 8 | 80 TUBE | Yes | NIPDAU NIPDAUAG | Level-1-260C-UNLIM | -40 to 85 | BFN |
| THS4211DGN.A | Active | Production | HVSSOP (DGN) 8 | 80 TUBE | Yes | NIPDAU | Level-1-260C-UNLIM | -40 to 85 | BFN |
| THS4211DGNR | Active | Production | HVSSOP (DGN) 8 | 2500 LARGE T&R | Yes | NIPDAU NIPDAUAG | Level-1-260C-UNLIM | -40 to 85 | BFN |
| THS4211DGNR.A | Active | Production | HVSSOP (DGN) 8 | 2500 LARGE T&R | Yes | NIPDAU | Level-1-260C-UNLIM | -40 to 85 | BFN |
| THS4211DR | Active | Production | SOIC (D) 8 | 2500 LARGE T&R | Yes | NIPDAU | Level-1-260C-UNLIM | -40 to 85 | 4211 |
| THS4211DR.A | Active | Production | SOIC (D) 8 | 2500 LARGE T&R | Yes | NIPDAU | Level-1-260C-UNLIM | -40 to 85 | 4211 |
| THS4211DRBR | Active | Production | SON (DRB) 8 | 3000 LARGE T&R | Yes | NIPDAU | Level-2-260C-1 YEAR | -40 to 85 | 4211 |
| THS4211DRBR.A | Active | Production | SON (DRB) 8 | 3000 LARGE T&R | Yes | NIPDAU | Level-2-260C-1 YEAR | -40 to 85 | 4211 |
| THS4211DRBT | Active | Production | SON (DRB) 8 | 250 SMALL T&R | Yes | NIPDAU | Level-2-260C-1 YEAR | -40 to 85 | 4211 |
| THS4211DRBT.A | Active | Production | SON (DRB) 8 | 250 SMALL T&R | Yes | NIPDAU | Level-2-260C-1 YEAR | -40 to 85 | 4211 |
| THS4215D | Active | Production | SOIC (D) 8 | 75 TUBE | Yes | NIPDAU | Level-1-260C-UNLIM | -40 to 85 | 4215 |
| THS4215D.A | Active | Production | SOIC (D) 8 | 75 TUBE | Yes | NIPDAU | Level-1-260C-UNLIM | -40 to 85 | 4215 |
| THS4215DGK | Active | Production | VSSOP (DGK) 8 | 80 TUBE | Yes | NIPDAU | Level-1-260C-UNLIM | -40 to 85 | BEZ |
| THS4215DGK.A | Active | Production | VSSOP (DGK) 8 | 80 TUBE | Yes | NIPDAU | Level-1-260C-UNLIM | -40 to 85 | BEZ |
| THS4215DGN | Active | Production | HVSSOP (DGN) 8 | 80 TUBE | Yes | NIPDAU | Level-1-260C-UNLIM | -40 to 85 | BEQ |
| THS4215DGN.A | Active | Production | HVSSOP (DGN) 8 | 80 TUBE | Yes | NIPDAU | Level-1-260C-UNLIM | -40 to 85 | BEQ |
| THS4215DRBR | Active | Production | SON (DRB) 8 | 3000 LARGE T&R | Yes | NIPDAU | Level-2-260C-1 YEAR | -40 to 85 | 4215 |
| THS4215DRBR.A | Active | Production | SON (DRB) 8 | 3000 LARGE T&R | Yes | NIPDAU | Level-2-260C-1 YEAR | -40 to 85 | 4215 |
| THS4215DRBT | Active | Production | SON (DRB) 8 | 250 SMALL T&R | Yes | NIPDAU | Level-2-260C-1 YEAR | -40 to 85 | 4215 |
| THS4215DRBT.A | Active | Production | SON (DRB) 8 | 250 SMALL T&R | Yes | NIPDAU | Level-2-260C-1 YEAR | -40 to 85 | 4215 |

(1) **Status:** For more details on status, see our [product life cycle](#).

(2) **Material type:** When designated, preproduction parts are prototypes/experimental devices, and are not yet approved or released for full production. Testing and final process, including without limitation quality assurance, reliability performance testing, and/or process qualification, may not yet be complete, and this item is subject to further changes or possible discontinuation. If available for ordering, purchases will be subject to an additional waiver at checkout, and are intended for early internal evaluation purposes only. These items are sold without warranties of any kind.

(3) **RoHS values:** Yes, No, RoHS Exempt. See the [TI RoHS Statement](#) for additional information and value definition.

(4) **Lead finish/Ball material:** Parts may have multiple material finish options. Finish options are separated by a vertical ruled line. Lead finish/Ball material values may wrap to two lines if the finish value exceeds the maximum column width.

(5) **MSL rating/Peak reflow:** The moisture sensitivity level ratings and peak solder (reflow) temperatures. In the event that a part has multiple moisture sensitivity ratings, only the lowest level per JEDEC standards is shown. Refer to the shipping label for the actual reflow temperature that will be used to mount the part to the printed circuit board.

(6) **Part marking:** There may be an additional marking, which relates to the logo, the lot trace code information, or the environmental category of the part.

Multiple part markings will be inside parentheses. Only one part marking contained in parentheses and separated by a "~" will appear on a part. If a line is indented then it is a continuation of the previous line and the two combined represent the entire part marking for that device.

Important Information and Disclaimer:The information provided on this page represents TI's knowledge and belief as of the date that it is provided. TI bases its knowledge and belief on information provided by third parties, and makes no representation or warranty as to the accuracy of such information. Efforts are underway to better integrate information from third parties. TI has taken and continues to take reasonable steps to provide representative and accurate information but may not have conducted destructive testing or chemical analysis on incoming materials and chemicals. TI and TI suppliers consider certain information to be proprietary, and thus CAS numbers and other limited information may not be available for release.

In no event shall TI's liability arising out of such information exceed the total purchase price of the TI part(s) at issue in this document sold by TI to Customer on an annual basis.

TAPE AND REEL INFORMATION

QUADRANT ASSIGNMENTS FOR PIN 1 ORIENTATION IN TAPE


*All dimensions are nominal

| Device | Package Type | Package Drawing | Pins | SPQ | Reel Diameter (mm) | Reel Width W1 (mm) | A0 (mm) | B0 (mm) | K0 (mm) | P1 (mm) | W (mm) | Pin1 Quadrant |
|-------------|--------------|-----------------|------|------|--------------------|--------------------|---------|---------|---------|---------|--------|---------------|
| THS4211DGNR | HVSSOP | DGN | 8 | 2500 | 330.0 | 12.4 | 5.3 | 3.4 | 1.4 | 8.0 | 12.0 | Q1 |
| THS4211DGNR | HVSSOP | DGN | 8 | 2500 | 330.0 | 12.4 | 5.3 | 3.4 | 1.4 | 8.0 | 12.0 | Q1 |
| THS4211DR | SOIC | D | 8 | 2500 | 330.0 | 12.4 | 6.4 | 5.2 | 2.1 | 8.0 | 12.0 | Q1 |
| THS4211DRBR | SON | DRB | 8 | 3000 | 330.0 | 12.4 | 3.3 | 3.3 | 1.1 | 8.0 | 12.0 | Q2 |
| THS4211DRBT | SON | DRB | 8 | 250 | 180.0 | 12.4 | 3.3 | 3.3 | 1.1 | 8.0 | 12.0 | Q2 |
| THS4215DRBR | SON | DRB | 8 | 3000 | 330.0 | 12.4 | 3.3 | 3.3 | 1.1 | 8.0 | 12.0 | Q2 |
| THS4215DRBT | SON | DRB | 8 | 250 | 180.0 | 12.4 | 3.3 | 3.3 | 1.1 | 8.0 | 12.0 | Q2 |

TAPE AND REEL BOX DIMENSIONS


*All dimensions are nominal

| Device | Package Type | Package Drawing | Pins | SPQ | Length (mm) | Width (mm) | Height (mm) |
|-------------|--------------|-----------------|------|------|-------------|------------|-------------|
| THS4211DGNR | HVSSOP | DGN | 8 | 2500 | 364.0 | 364.0 | 27.0 |
| THS4211DGNR | HVSSOP | DGN | 8 | 2500 | 358.0 | 335.0 | 35.0 |
| THS4211DR | SOIC | D | 8 | 2500 | 350.0 | 350.0 | 43.0 |
| THS4211DRBR | SON | DRB | 8 | 3000 | 350.0 | 350.0 | 43.0 |
| THS4211DRBT | SON | DRB | 8 | 250 | 210.0 | 185.0 | 35.0 |
| THS4215DRBR | SON | DRB | 8 | 3000 | 350.0 | 350.0 | 43.0 |
| THS4215DRBT | SON | DRB | 8 | 250 | 210.0 | 185.0 | 35.0 |

TUBE


*All dimensions are nominal

| Device | Package Name | Package Type | Pins | SPQ | L (mm) | W (mm) | T (μm) | B (mm) |
|--------------|--------------|--------------|------|-----|--------|--------|--------|--------|
| THS4211D | D | SOIC | 8 | 75 | 505.46 | 6.76 | 3810 | 4 |
| THS4211D.A | D | SOIC | 8 | 75 | 505.46 | 6.76 | 3810 | 4 |
| THS4211DGK | DGK | VSSOP | 8 | 80 | 330 | 6.55 | 500 | 2.88 |
| THS4211DGK.A | DGK | VSSOP | 8 | 80 | 330 | 6.55 | 500 | 2.88 |
| THS4211DGN | DGN | HVSSOP | 8 | 80 | 330 | 6.55 | 500 | 2.88 |
| THS4211DGN.A | DGN | HVSSOP | 8 | 80 | 330 | 6.55 | 500 | 2.88 |
| THS4215D | D | SOIC | 8 | 75 | 505.46 | 6.76 | 3810 | 4 |
| THS4215D.A | D | SOIC | 8 | 75 | 505.46 | 6.76 | 3810 | 4 |

DGK0008A



PACKAGE OUTLINE

VSSOP - 1.1 mm max height

SMALL OUTLINE PACKAGE



NOTES:

PowerPAD is a trademark of Texas Instruments.

1. All linear dimensions are in millimeters. Any dimensions in parenthesis are for reference only. Dimensioning and tolerancing per ASME Y14.5M.
2. This drawing is subject to change without notice.
3. This dimension does not include mold flash, protrusions, or gate burrs. Mold flash, protrusions, or gate burrs shall not exceed 0.15 mm per side.
4. This dimension does not include interlead flash. Interlead flash shall not exceed 0.25 mm per side.
5. Reference JEDEC registration MO-187.

EXAMPLE BOARD LAYOUT

DGK0008A

™ VSSOP - 1.1 mm max height

SMALL OUTLINE PACKAGE



LAND PATTERN EXAMPLE
EXPOSED METAL SHOWN
SCALE: 15X



SOLDER MASK DETAILS

4214862/A 04/2023

NOTES: (continued)

6. Publication IPC-7351 may have alternate designs.
7. Solder mask tolerances between and around signal pads can vary based on board fabrication site.
8. Vias are optional depending on application, refer to device data sheet. If any vias are implemented, refer to their locations shown on this view. It is recommended that vias under paste be filled, plugged or tented.
9. Size of metal pad may vary due to creepage requirement.

EXAMPLE STENCIL DESIGN

DGK0008A

TM VSSOP - 1.1 mm max height

SMALL OUTLINE PACKAGE



SOLDER PASTE EXAMPLE
SCALE: 15X

4214862/A 04/2023

NOTES: (continued)

11. Laser cutting apertures with trapezoidal walls and rounded corners may offer better paste release. IPC-7525 may have alternate design recommendations.
12. Board assembly site may have different recommendations for stencil design.

DRB 8

GENERIC PACKAGE VIEW

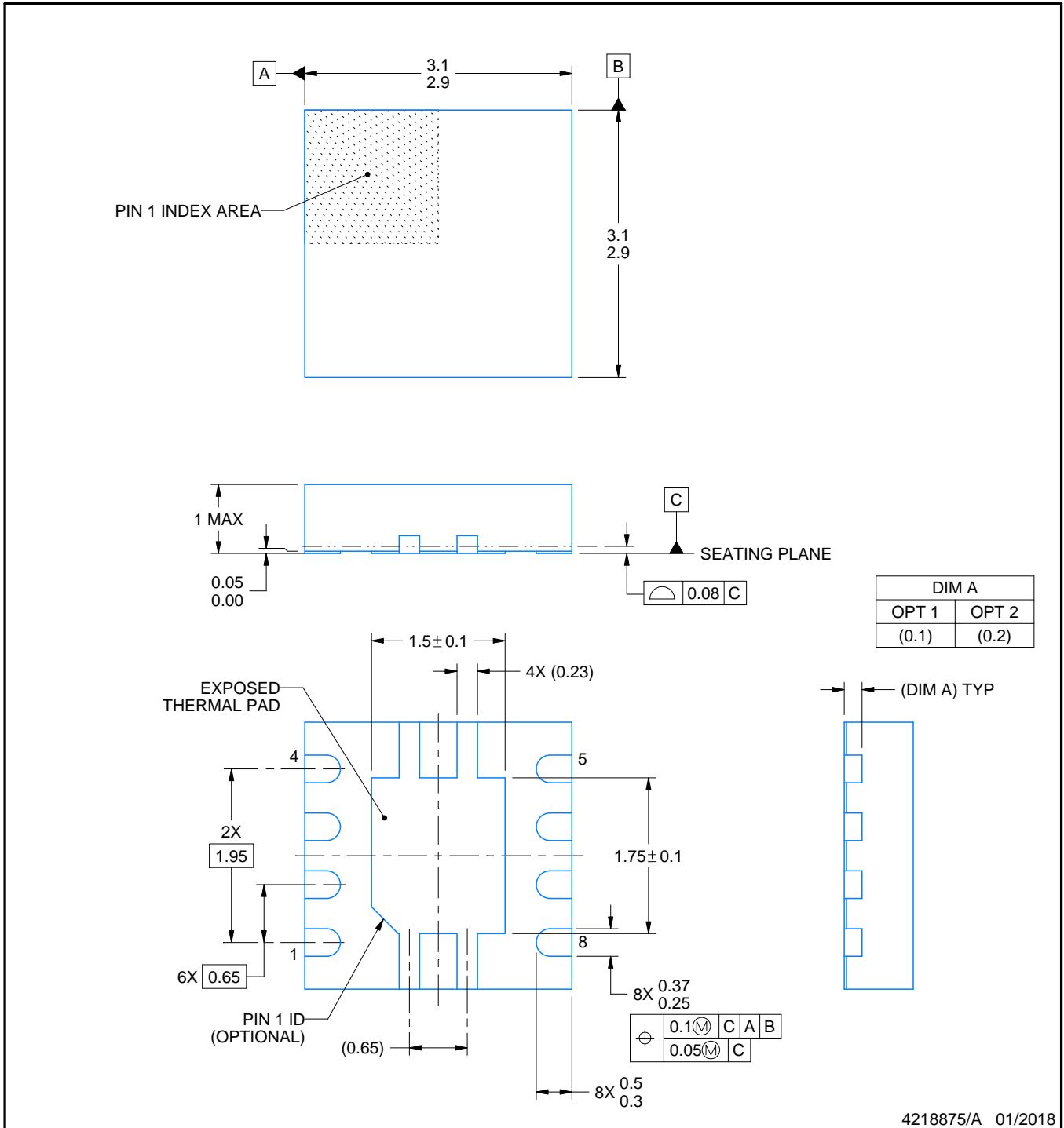
VSON - 1 mm max height

PLASTIC SMALL OUTLINE - NO LEAD



Images above are just a representation of the package family, actual package may vary.
Refer to the product data sheet for package details.

4203482/L



4218875/A 01/2018

NOTES:

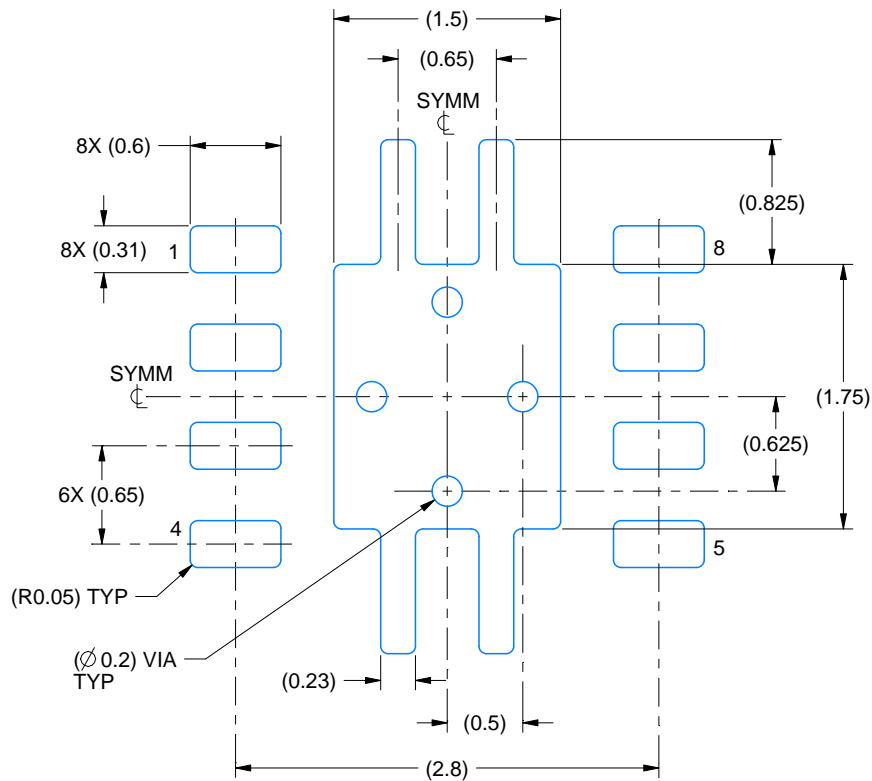
1. All linear dimensions are in millimeters. Any dimensions in parenthesis are for reference only. Dimensioning and tolerancing per ASME Y14.5M.
2. This drawing is subject to change without notice.
3. The package thermal pad must be soldered to the printed circuit board for thermal and mechanical performance.

EXAMPLE BOARD LAYOUT

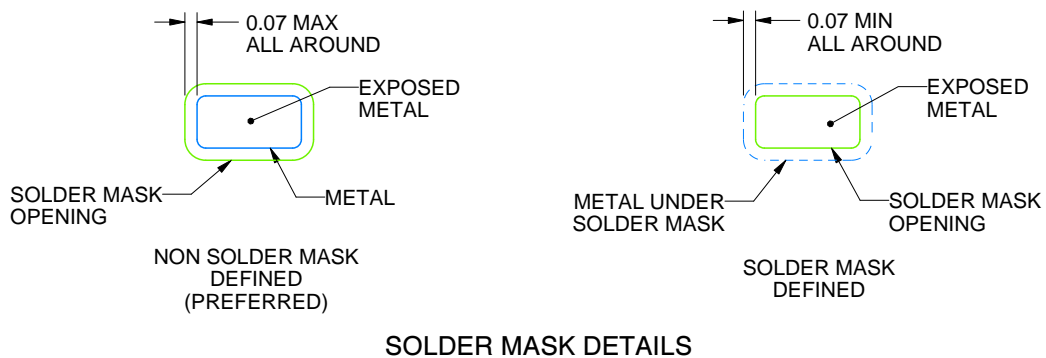
DRB0008A

VSON - 1 mm max height

PLASTIC SMALL OUTLINE - NO LEAD



LAND PATTERN EXAMPLE
EXPOSED METAL SHOWN
SCALE:20X



SOLDER MASK DETAILS

4218875/A 01/2018

NOTES: (continued)

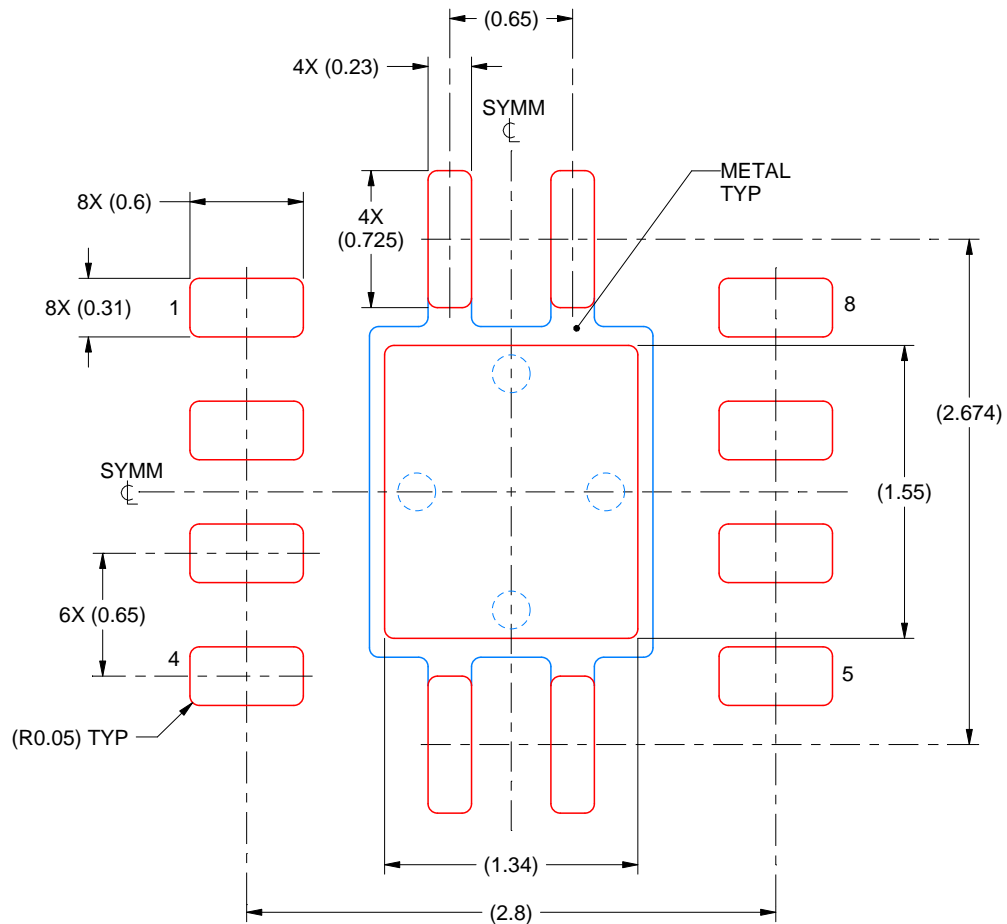
- This package is designed to be soldered to a thermal pad on the board. For more information, see Texas Instruments literature number SLUA271 (www.ti.com/lit/slue271).
- Vias are optional depending on application, refer to device data sheet. If any vias are implemented, refer to their locations shown on this view. It is recommended that vias under paste be filled, plugged or tented.

EXAMPLE STENCIL DESIGN

DRB0008A

VSON - 1 mm max height

PLASTIC SMALL OUTLINE - NO LEAD



SOLDER PASTE EXAMPLE
BASED ON 0.125 mm THICK STENCIL

EXPOSED PAD
84% PRINTED SOLDER COVERAGE BY AREA
SCALE:25X

4218875/A 01/2018

NOTES: (continued)

6. Laser cutting apertures with trapezoidal walls and rounded corners may offer better paste release. IPC-7525 may have alternate design recommendations.

GENERIC PACKAGE VIEW

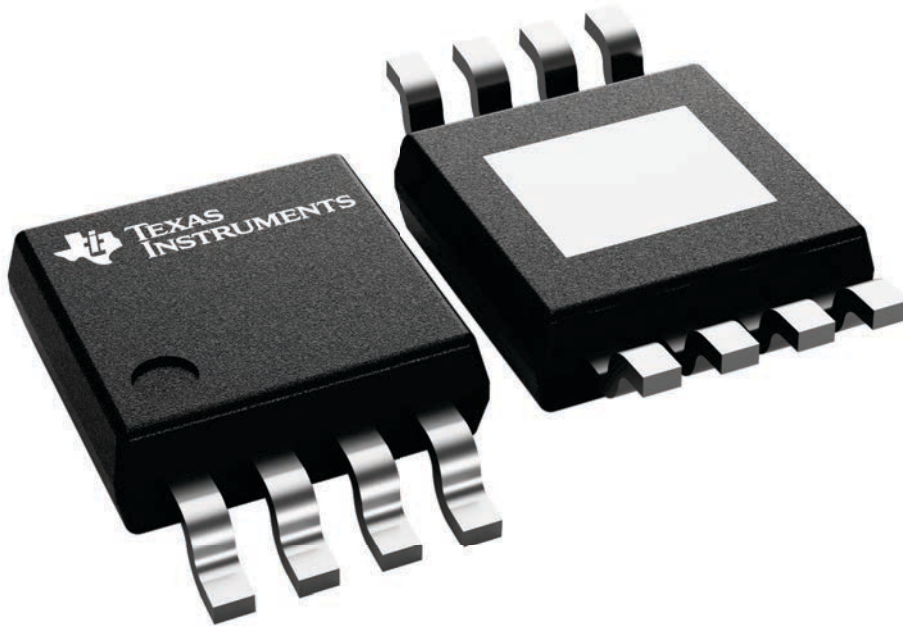
DGN 8

PowerPAD™ HVSSOP - 1.1 mm max height

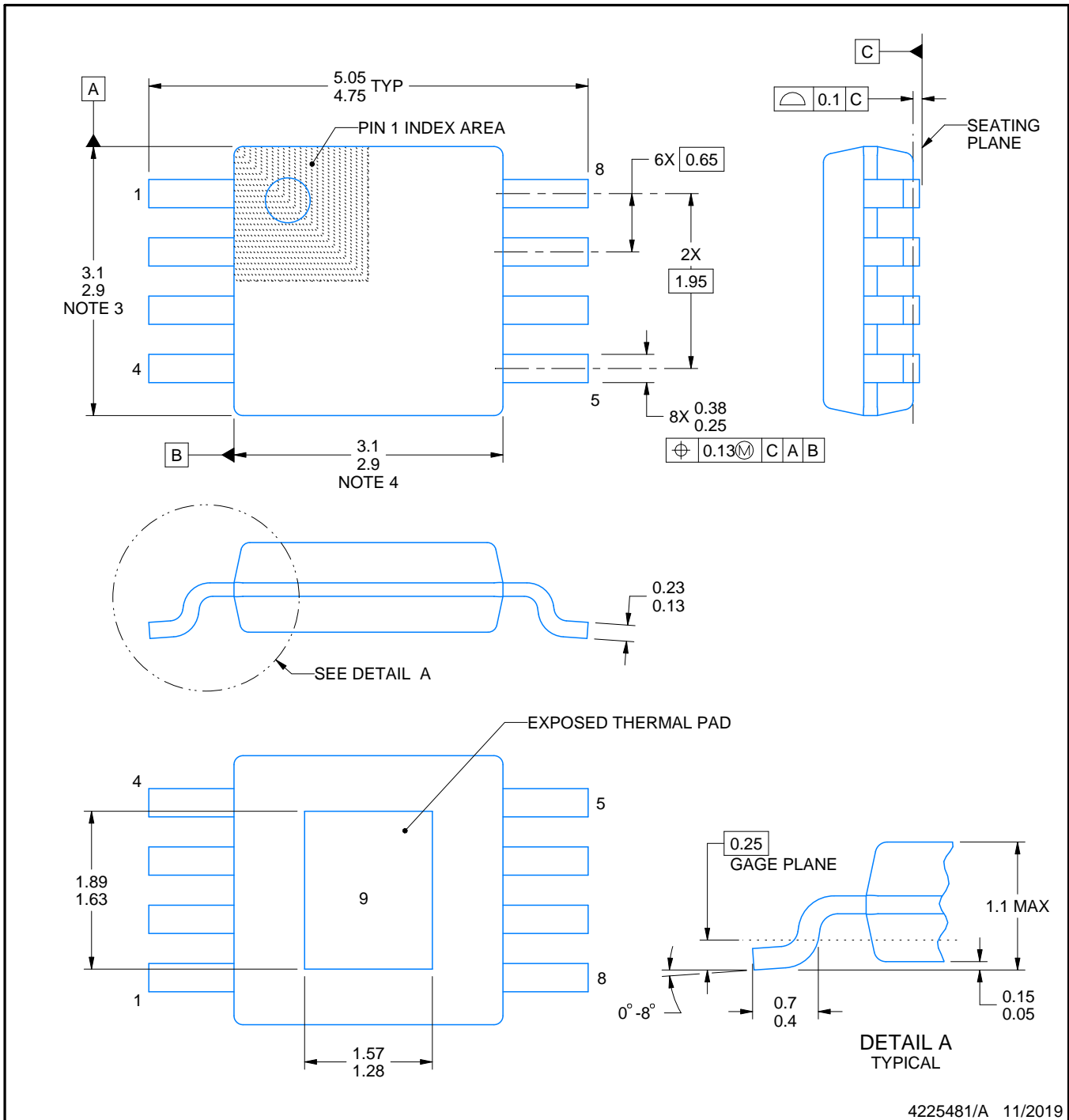
3 x 3, 0.65 mm pitch

SMALL OUTLINE PACKAGE

This image is a representation of the package family, actual package may vary.
Refer to the product data sheet for package details.



4225482/B



4225481/A 11/2019

NOTES:

PowerPAD is a trademark of Texas Instruments.

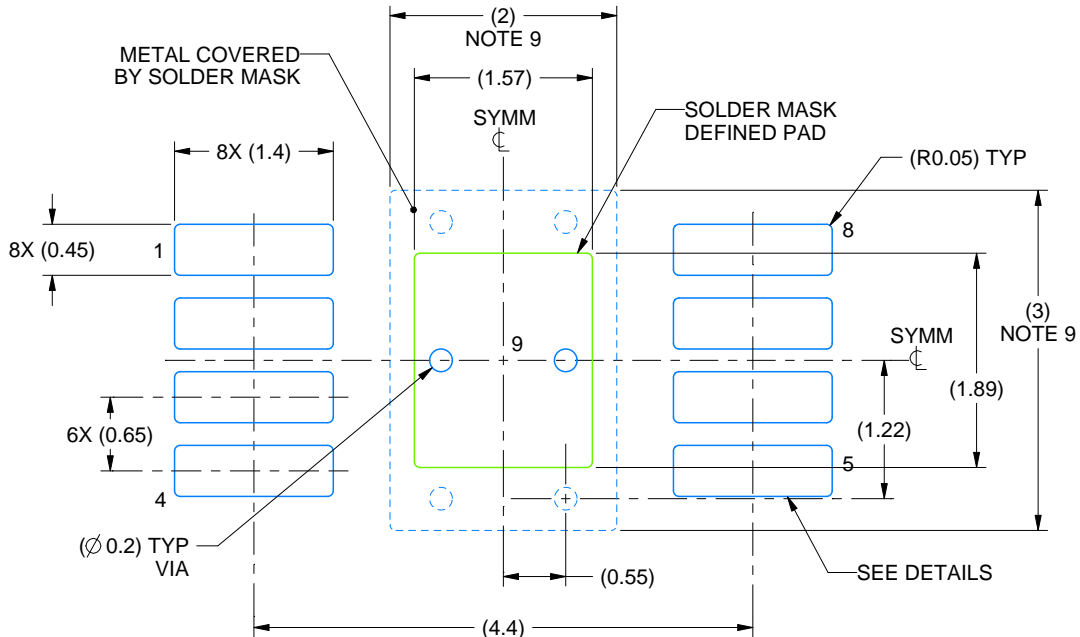
1. All linear dimensions are in millimeters. Any dimensions in parenthesis are for reference only. Dimensioning and tolerancing per ASME Y14.5M.
2. This drawing is subject to change without notice.
3. This dimension does not include mold flash, protrusions, or gate burrs. Mold flash, protrusions, or gate burrs shall not exceed 0.15 mm per side.
4. This dimension does not include interlead flash. Interlead flash shall not exceed 0.25 mm per side.
5. Reference JEDEC registration MO-187.

EXAMPLE BOARD LAYOUT

DGN0008D

PowerPAD™ VSSOP - 1.1 mm max height

SMALL OUTLINE PACKAGE



LAND PATTERN EXAMPLE
EXPOSED METAL SHOWN
SCALE: 15X



4225481/A 11/2019

NOTES: (continued)

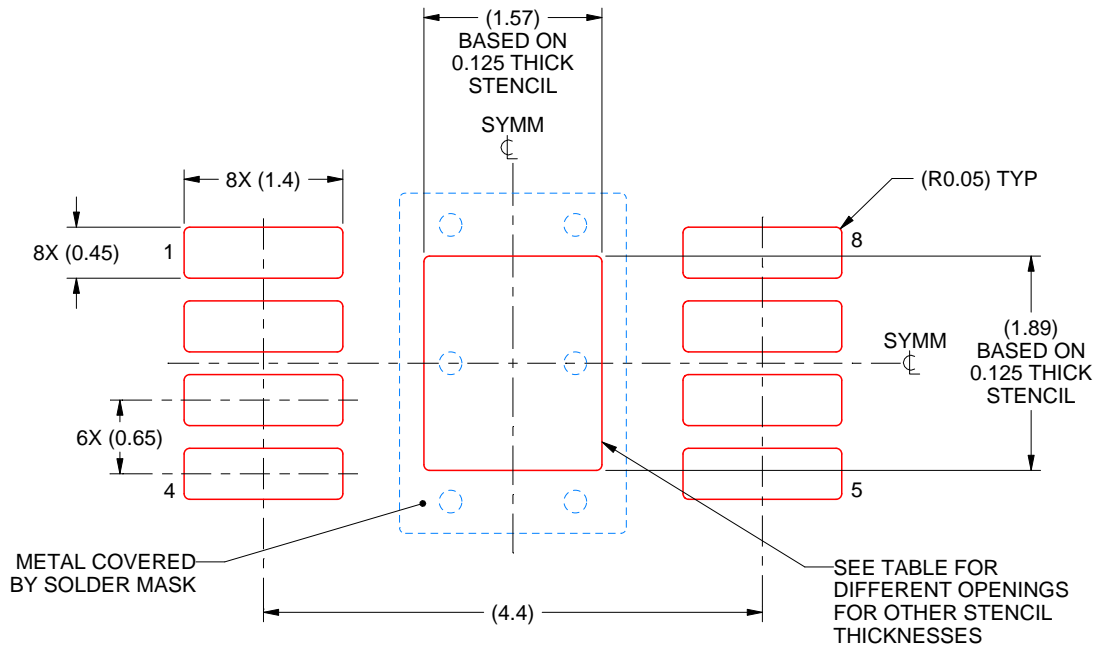
6. Publication IPC-7351 may have alternate designs.
7. Solder mask tolerances between and around signal pads can vary based on board fabrication site.
8. Vias are optional depending on application, refer to device data sheet. If any vias are implemented, refer to their locations shown on this view. It is recommended that vias under paste be filled, plugged or tented.
9. Size of metal pad may vary due to creepage requirement.

EXAMPLE STENCIL DESIGN

DGN0008D

PowerPAD™ VSSOP - 1.1 mm max height

SMALL OUTLINE PACKAGE



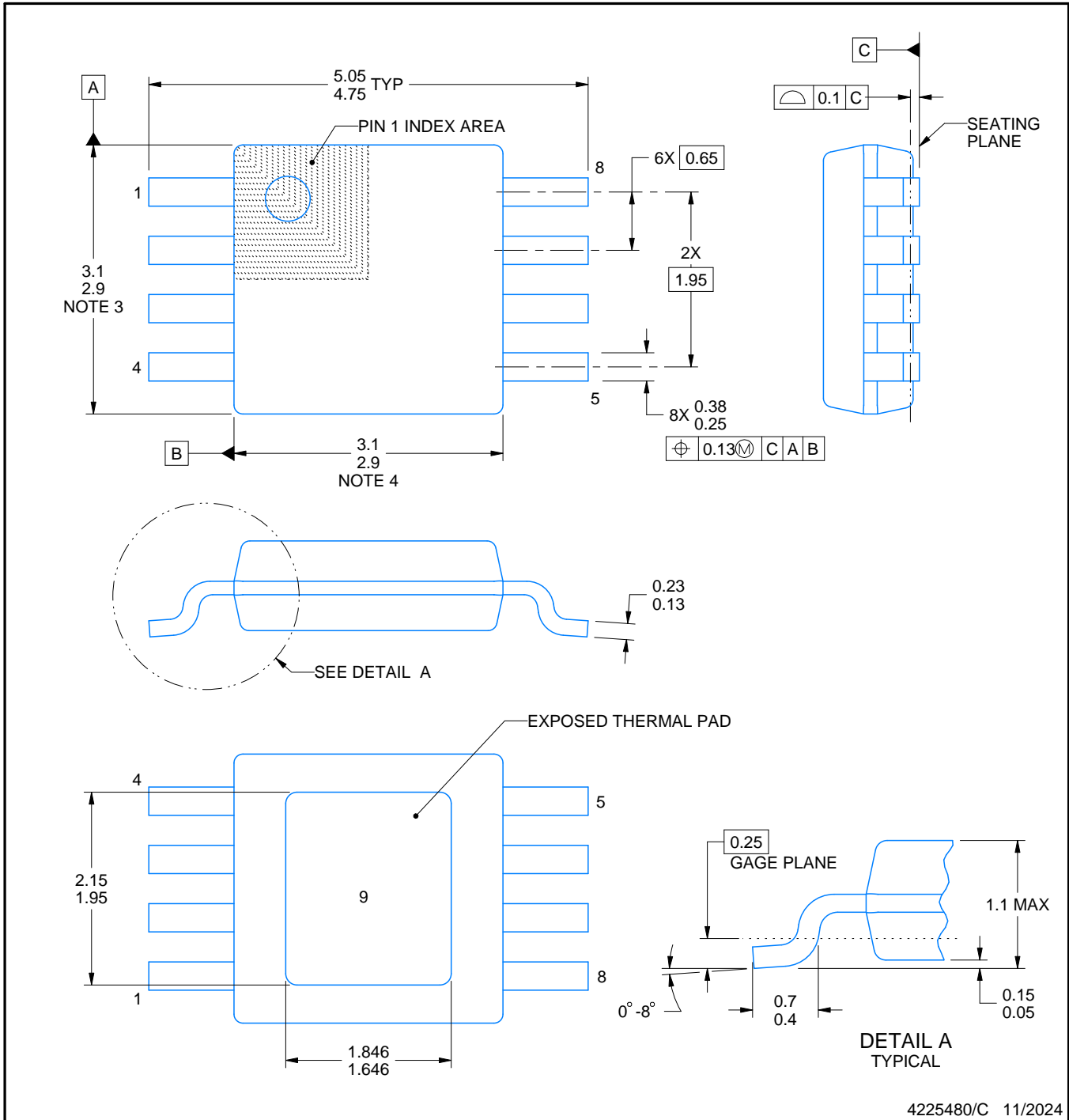
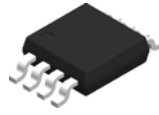
SOLDER PASTE EXAMPLE
EXPOSED PAD 9:
100% PRINTED SOLDER COVERAGE BY AREA
SCALE: 15X

| STENCIL THICKNESS | SOLDER STENCIL OPENING |
|-------------------|------------------------|
| 0.1 | 1.76 X 2.11 |
| 0.125 | 1.57 X 1.89 (SHOWN) |
| 0.15 | 1.43 X 1.73 |
| 0.175 | 1.33 X 1.60 |

4225481/A 11/2019

NOTES: (continued)

10. Laser cutting apertures with trapezoidal walls and rounded corners may offer better paste release. IPC-7525 may have alternate design recommendations.
11. Board assembly site may have different recommendations for stencil design.



4225480/C 11/2024

NOTES:

PowerPAD is a trademark of Texas Instruments.

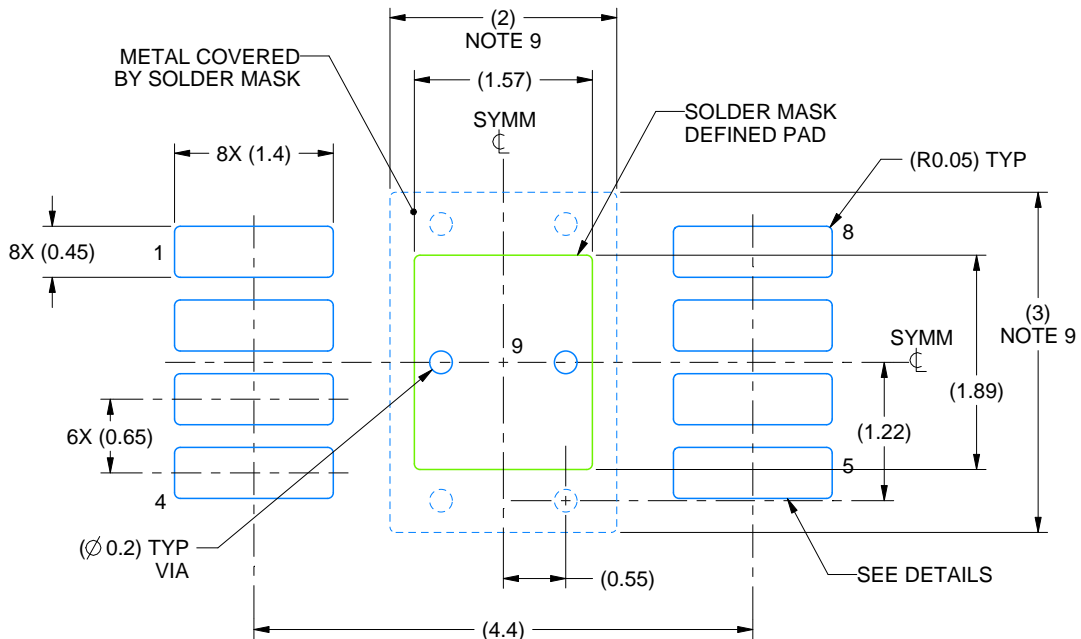
1. All linear dimensions are in millimeters. Any dimensions in parenthesis are for reference only. Dimensioning and tolerancing per ASME Y14.5M.
2. This drawing is subject to change without notice.
3. This dimension does not include mold flash, protrusions, or gate burrs. Mold flash, protrusions, or gate burrs shall not exceed 0.15 mm per side.
4. This dimension does not include interlead flash. Interlead flash shall not exceed 0.25 mm per side.
5. Reference JEDEC registration MO-187.

EXAMPLE BOARD LAYOUT

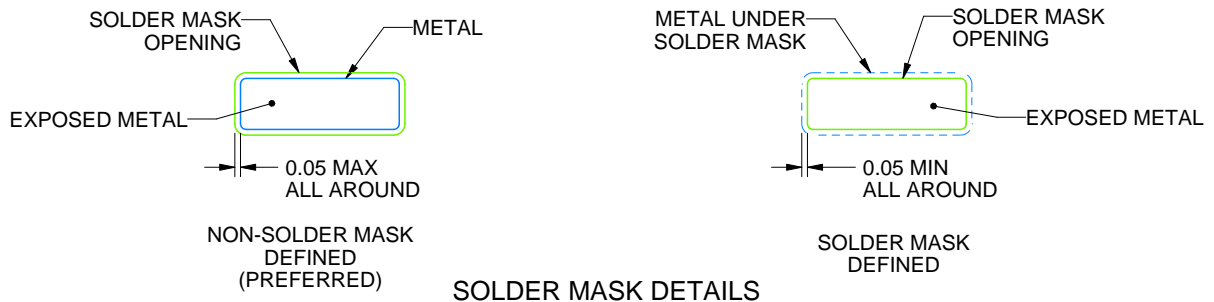
DGN0008G

PowerPAD™ HVSSOP - 1.1 mm max height

SMALL OUTLINE PACKAGE



LAND PATTERN EXAMPLE
EXPOSED METAL SHOWN
SCALE: 15X



4225480/C 11/2024

NOTES: (continued)

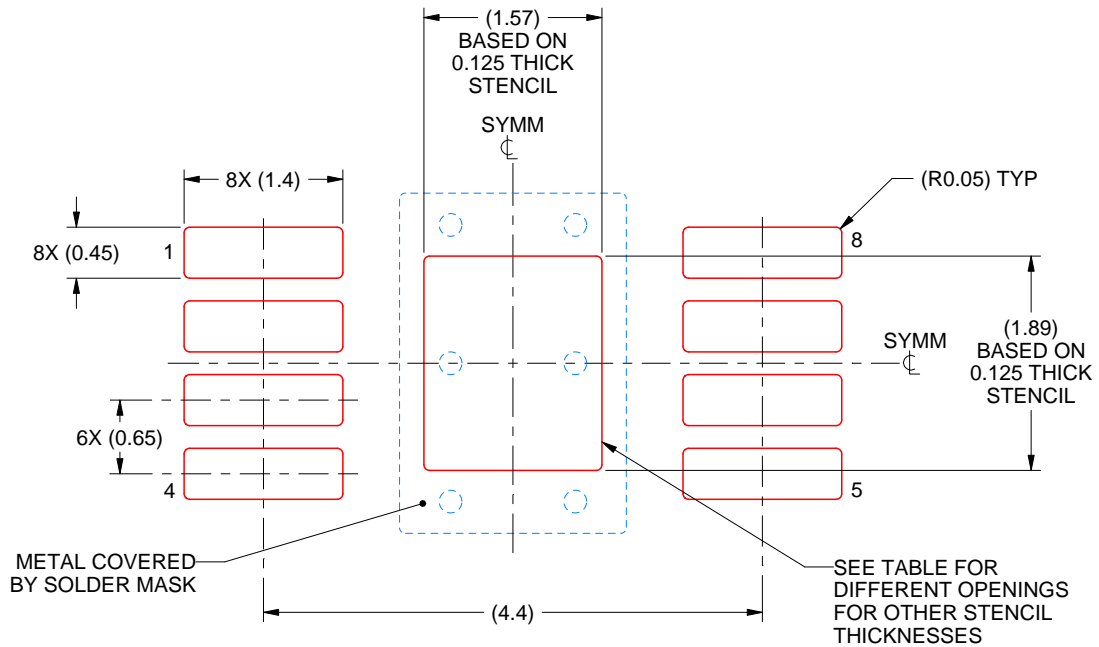
6. Publication IPC-7351 may have alternate designs.
7. Solder mask tolerances between and around signal pads can vary based on board fabrication site.
8. Vias are optional depending on application, refer to device data sheet. If any vias are implemented, refer to their locations shown on this view. It is recommended that vias under paste be filled, plugged or tented.
9. Size of metal pad may vary due to creepage requirement.

EXAMPLE STENCIL DESIGN

DGN0008G

PowerPAD™ HVSSOP - 1.1 mm max height

SMALL OUTLINE PACKAGE



SOLDER PASTE EXAMPLE
 EXPOSED PAD 9:
 100% PRINTED SOLDER COVERAGE BY AREA
 SCALE: 15X

| STENCIL THICKNESS | SOLDER STENCIL OPENING |
|-------------------|------------------------|
| 0.1 | 1.76 X 2.11 |
| 0.125 | 1.57 X 1.89 (SHOWN) |
| 0.15 | 1.43 X 1.73 |
| 0.175 | 1.33 X 1.60 |

4225480/C 11/2024

NOTES: (continued)

10. Laser cutting apertures with trapezoidal walls and rounded corners may offer better paste release. IPC-7525 may have alternate design recommendations.
11. Board assembly site may have different recommendations for stencil design.



D0008A

PACKAGE OUTLINE

SOIC - 1.75 mm max height

SMALL OUTLINE INTEGRATED CIRCUIT



4214825/C 02/2019

NOTES:

- Linear dimensions are in inches [millimeters]. Dimensions in parenthesis are for reference only. Controlling dimensions are in inches. Dimensioning and tolerancing per ASME Y14.5M.
- This drawing is subject to change without notice.
- This dimension does not include mold flash, protrusions, or gate burrs. Mold flash, protrusions, or gate burrs shall not exceed $.006$ [0.15] per side.
- This dimension does not include interlead flash.
- Reference JEDEC registration MS-012, variation AA.

EXAMPLE BOARD LAYOUT

D0008A

SOIC - 1.75 mm max height

SMALL OUTLINE INTEGRATED CIRCUIT



LAND PATTERN EXAMPLE
 EXPOSED METAL SHOWN
 SCALE:8X



SOLDER MASK DETAILS

4214825/C 02/2019

NOTES: (continued)

- 6. Publication IPC-7351 may have alternate designs.
- 7. Solder mask tolerances between and around signal pads can vary based on board fabrication site.

EXAMPLE STENCIL DESIGN

D0008A

SOIC - 1.75 mm max height

SMALL OUTLINE INTEGRATED CIRCUIT



SOLDER PASTE EXAMPLE
BASED ON .005 INCH [0.125 MM] THICK STENCIL
SCALE:8X

4214825/C 02/2019

NOTES: (continued)

8. Laser cutting apertures with trapezoidal walls and rounded corners may offer better paste release. IPC-7525 may have alternate design recommendations.
9. Board assembly site may have different recommendations for stencil design.

IMPORTANT NOTICE AND DISCLAIMER

TI PROVIDES TECHNICAL AND RELIABILITY DATA (INCLUDING DATASHEETS), DESIGN RESOURCES (INCLUDING REFERENCE DESIGNS), APPLICATION OR OTHER DESIGN ADVICE, WEB TOOLS, SAFETY INFORMATION, AND OTHER RESOURCES "AS IS" AND WITH ALL FAULTS, AND DISCLAIMS ALL WARRANTIES, EXPRESS AND IMPLIED, INCLUDING WITHOUT LIMITATION ANY IMPLIED WARRANTIES OF MERCHANTABILITY, FITNESS FOR A PARTICULAR PURPOSE OR NON-INFRINGEMENT OF THIRD PARTY INTELLECTUAL PROPERTY RIGHTS.

These resources are intended for skilled developers designing with TI products. You are solely responsible for (1) selecting the appropriate TI products for your application, (2) designing, validating and testing your application, and (3) ensuring your application meets applicable standards, and any other safety, security, regulatory or other requirements.

These resources are subject to change without notice. TI grants you permission to use these resources only for development of an application that uses the TI products described in the resource. Other reproduction and display of these resources is prohibited. No license is granted to any other TI intellectual property right or to any third party intellectual property right. TI disclaims responsibility for, and you fully indemnify TI and its representatives against any claims, damages, costs, losses, and liabilities arising out of your use of these resources.

TI's products are provided subject to [TI's Terms of Sale](#), [TI's General Quality Guidelines](#), or other applicable terms available either on [ti.com](#) or provided in conjunction with such TI products. TI's provision of these resources does not expand or otherwise alter TI's applicable warranties or warranty disclaimers for TI products. Unless TI explicitly designates a product as custom or customer-specified, TI products are standard, catalog, general purpose devices.

TI objects to and rejects any additional or different terms you may propose.

Copyright © 2025, Texas Instruments Incorporated

Last updated 10/2025