

# TMUX720x 44V、ラッチアップフリー、8:1、1チャンネル/4:1、2チャンネル高精度マルチプレクサ、1.8V ロジック対応

## 1 特長

- ラッチアップフリー
- 両電源電圧範囲:  $\pm 4.5V \sim \pm 22V$
- 単電源電圧範囲:  $4.5V \sim 44V$
- 低いオン抵抗:  $4\Omega$
- 少ない電荷注入:  $3pC$
- 大電流のサポート:  $400mA$  (最大値) (WQFN)
- 大電流のサポート:  $300mA$  (最大値) (TSSOP)
- $-40^{\circ}C \sim +125^{\circ}C$  の動作温度範囲
- 1.8V ロジック互換入力
- ロジックピンにプルダウン抵抗を内蔵
- フェイルセーフロジック
- レールツーレール動作
- 双方向の信号パス
- ブレイクビフォーメイクのスイッチング動作

## 2 アプリケーション

- ファクトリ・オートメーション / 制御
- プログラマブル・ロジック・コントローラ (PLC)
- アナログ入力モジュール
- 半導体試験用機器
- バッテリー・テスト機器
- 超音波スキャナ
- メディカル・モニタと診断
- 光学ネットワーク機器
- 光学テスト機器
- 有線ネットワーク
- データ・アキュイジション・システム (DAQ)

## 3 概要

TMUX7208 は高精度の 8:1、シングルチャンネルマルチプレクサ、TMUX7209 は 4:1、2チャンネルマルチプレクサであり、低いオン抵抗と少ない電荷注入を特長としています。このデバイスは単一電源 ( $4.5V \sim 44V$ )、デュアル電源 ( $\pm 4.5V \sim \pm 22V$ )、または非対称電源 ( $V_{DD} = 12V$ 、 $V_{SS} = -5V$  など) で適切に動作します。TMUX720x は、ソース (Sx) およびドレイン (D) ピンで、 $V_{SS}$  から  $V_{DD}$  までの範囲の双方向アナログおよびデジタル信号をサポートします。

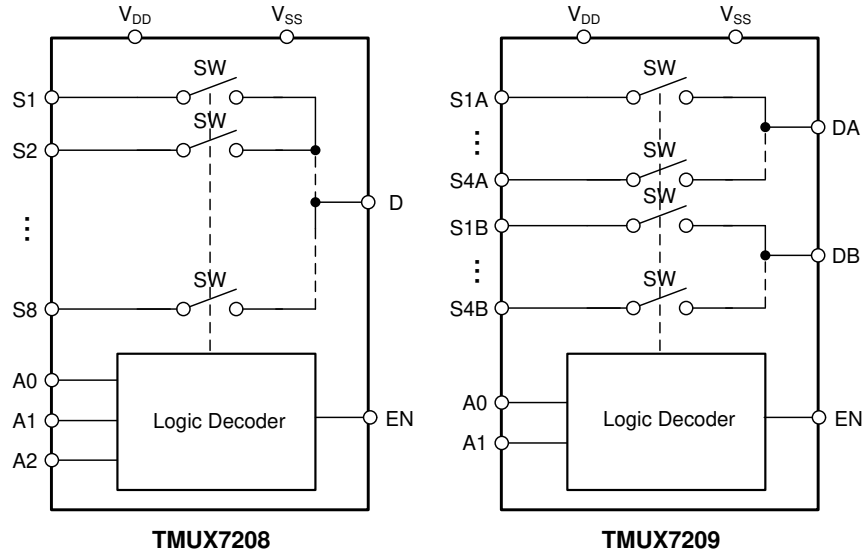
TMUX720x は高精度スイッチおよびマルチプレクサファミリの製品であり、オンおよびオフ時のリーク電流が非常に小さいため、高精度の測定用途に使用できます。TMUX720x ファミリはラッチアップフリーであるため、過電圧イベントによってよく発生するデバイス内の寄生構造間の好ましくない大電流イベントを防止できます。ラッチアップ状態は通常、電源レールがオフにされるまで継続するため、デバイスの障害の原因となる場合があります。このラッチアップフリーという特長により、TMUX720x スイッチおよびマルチプレクサファミリは過酷な環境でも使用できます。

表 3-1. 製品情報

部品番号 (1)	構成	パッケージ (2)
TMUX7208	1チャンネル 8:1 マルチプレクサ	PW (TSSOP, 16)
TMUX7209	2チャンネル 4:1 マルチプレクサ	RUM (WQFN, 16)

- 製品比較表を参照してください。
- 詳細については、セクション 12 を参照してください。





TMUX7208 および TMUX7209 のブロック図

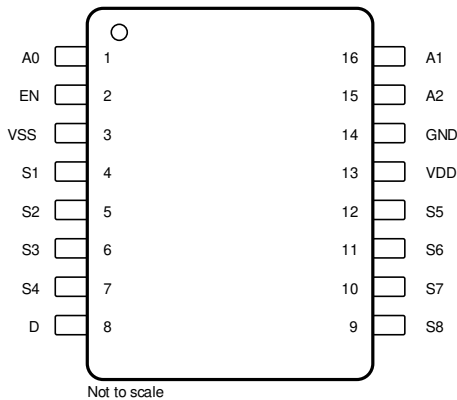
## Table of Contents

<b>1 特長</b> .....	1	7.8 Propagation Delay.....	28
<b>2 アプリケーション</b> .....	1	7.9 Charge Injection.....	29
<b>3 概要</b> .....	1	7.10 Off Isolation.....	29
<b>4 Device Comparison Table</b> .....	4	7.11 Crosstalk.....	31
<b>5 Pin Configuration and Functions</b> .....	5	7.12 Bandwidth.....	31
<b>6 Specifications</b> .....	7	7.13 THD + Noise.....	32
6.1 Absolute Maximum Ratings.....	7	7.14 Power Supply Rejection Ratio (PSRR).....	32
6.2 ESD Ratings.....	7	<b>8 Detailed Description</b> .....	33
6.3 Thermal Information.....	8	8.1 Overview.....	33
6.4 Recommended Operating Conditions.....	8	8.2 Functional Block Diagram.....	33
6.5 Source or Drain Continuous Current.....	8	8.3 Feature Description.....	33
6.6 ±15 V Dual Supply: Electrical Characteristics .....	9	8.4 Device Functional Modes.....	36
6.7 ±15 V Dual Supply: Switching Characteristics .....	10	8.5 Truth Tables.....	36
6.8 ±20 V Dual Supply: Electrical Characteristics.....	12	<b>9 Application and Implementation</b> .....	37
6.9 ±20 V Dual Supply: Switching Characteristics.....	13	9.1 Application Information.....	37
6.10 44 V Single Supply: Electrical Characteristics .....	15	9.2 Typical Application.....	37
6.11 44 V Single Supply: Switching Characteristics .....	16	9.3 Power Supply Recommendations.....	39
6.12 12 V Single Supply: Electrical Characteristics .....	18	9.4 Layout.....	39
6.13 12 V Single Supply: Switching Characteristics .....	19	<b>10 Device and Documentation Support</b> .....	42
6.14 Typical Characteristics.....	20	10.1 Documentation Support.....	42
<b>7 Parameter Measurement Information</b> .....	25	10.2 ドキュメントの更新通知を受け取る方法.....	42
7.1 On-Resistance.....	25	10.3 サポート・リソース.....	42
7.2 Off-Leakage Current.....	25	10.4 Trademarks.....	42
7.3 On-Leakage Current.....	26	10.5 静電気放電に関する注意事項.....	42
7.4 Transition Time.....	26	10.6 用語集.....	42
7.5 $t_{ON(EN)}$ and $t_{OFF(EN)}$ .....	27	<b>11 Revision History</b> .....	42
7.6 Break-Before-Make.....	27	<b>12 Mechanical, Packaging, and Orderable Information</b> .....	43
7.7 $t_{ON(VDD)}$ Time.....	28		

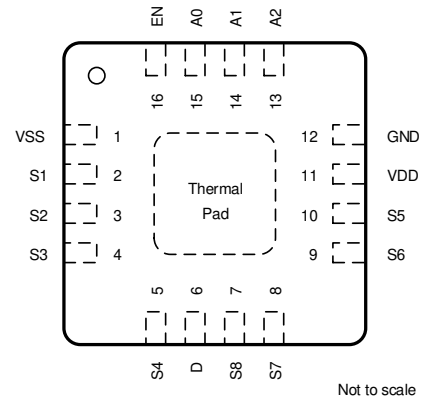
## 4 Device Comparison Table

PRODUCT	DESCRIPTION
TMUX7208	Low-Leakage-Current, Precision, 8:1, 1-Ch. multiplexer
TMUX7209	Low-Leakage-Current, Precision, 4:1, 2-Ch. multiplexer

## 5 Pin Configuration and Functions



Not to scale



Not to scale

図 5-1. TMUX7208 : PW Package 16-Pin TSSOP Top View

図 5-2. TMUX7208 : RUM Package 16-Pin WQFN Top View

表 5-1. TMUX7208 Pin Functions

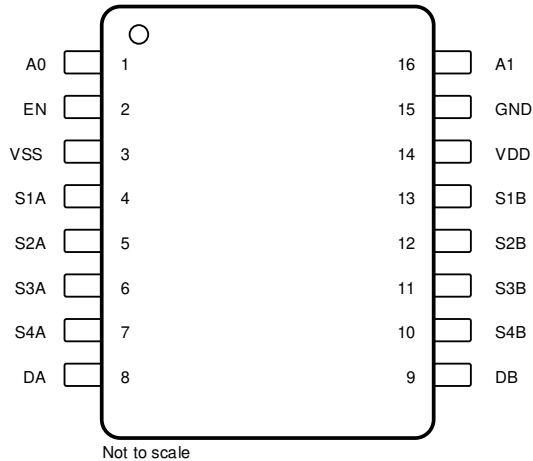
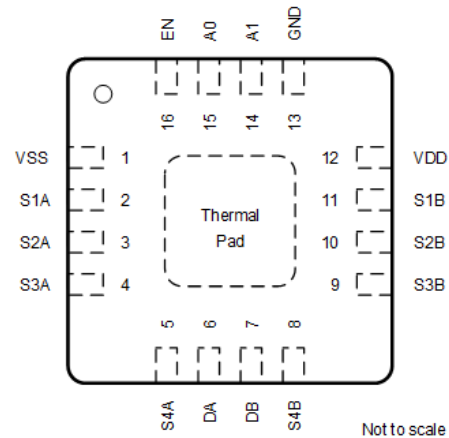
PIN			TYPE <sup>(1)</sup>	DESCRIPTION <sup>(2)</sup>
NAME	PW	RUM		
A0	1	15	I	Logic control input, has internal 4MΩ pull-down resistor. Controls the switch configuration as shown in <a href="#">セクション 8.5</a> .
A1	16	14	I	Logic control input, has internal 4MΩ pull-down resistor. Controls the switch configuration as shown in <a href="#">セクション 8.5</a> .
A2	15	13	I	Logic control input, has internal 4MΩ pull-down resistor. Controls the switch configuration as shown in <a href="#">セクション 8.5</a> .
D	8	6	I/O	Drain pin. Can be an input or output.
EN	2	16	I	Active high logic enable, has internal 4MΩ pull-down resistor. When this pin is low, all switches are turned off. When this pin is high, the Ax logic input determines which switch is turned on.
GND	14	12	P	Ground (0V) reference.
S1	4	2	I/O	Source pin 1. Can be an input or output.
S2	5	3	I/O	Source pin 2. Can be an input or output.
S3	6	4	I/O	Source pin 3. Can be an input or output.
S4	7	5	I/O	Source pin 4. Can be an input or output.
S5	12	10	I/O	Source pin 5. Can be an input or output.
S6	11	9	I/O	Source pin 6. Can be an input or output.
S7	10	8	I/O	Source pin 7. Can be an input or output.
S8	9	7	I/O	Source pin 8. Can be an input or output.
VDD	13	11	P	Positive power supply. This pin is the most positive power-supply potential. For reliable operation, connect a decoupling capacitor ranging from 0.1μF to 10μF between V <sub>DD</sub> and GND.
VSS	3	1	P	Negative power supply. This pin is the most negative power-supply potential. In single-supply applications, this pin can be connected to ground. For reliable operation, connect a decoupling capacitor ranging from 0.1μF to 10μF between V <sub>SS</sub> and GND.
Thermal Pad			—	The thermal pad is not connected internally. It is recommended that the pad be tied to GND or VSS for best performance.

(1) I = input, O = output, I/O = input and output, P = power.

(2) Refer to [セクション 8.4](#) for what to do with unused pins.

**TMUX7208, TMUX7209**

JAJSJ19F – JULY 2020 – REVISED JULY 2024


**図 5-3. TMUX7209 : PW Package 16-Pin TSSOP Top View**

**図 5-4. TMUX7209 : RUM Package 16-Pin WQFN Top View**
**表 5-2. TMUX7209 Pin Functions**

NAME	PIN		TYPE <sup>(1)</sup>	DESCRIPTION <sup>(2)</sup>
	PW	RUM		
A0	1	15	I	Logic control input, has internal pull-down resistor. Controls the switch configuration as shown in <a href="#">セクション 8.5</a> .
A1	16	14	I	Logic control input, has internal pull-down resistor. Controls the switch configuration as shown in <a href="#">セクション 8.5</a> .
DA	8	6	I/O	Drain Terminal A. Can be an input or an output.
DB	9	7	I/O	Drain Terminal B. Can be an input or an output.
EN	2	16	I	Active high logic enable, has internal pull-up resistor. When this pin is low, all switches are turned off. When this pin is high, the Ax logic input determines which switch is turned on.
GND	15	13	P	Ground (0V) reference.
S1A	4	2	I/O	Source pin 1A. Can be an input or output.
S1B	13	11	I/O	Source pin 1B. Can be an input or output.
S2A	5	3	I/O	Source pin 2A. Can be an input or output.
S2B	12	10	I/O	Source pin 2B. Can be an input or output.
S3A	6	4	I/O	Source pin 3A. Can be an input or output.
S3B	11	9	I/O	Source pin 3B. Can be an input or output.
S4A	7	5	I/O	Source pin 4A. Can be an input or output.
S4B	10	8	I/O	Source pin 4B. Can be an input or output.
VDD	14	12	P	Positive power supply. This pin is the most positive power-supply potential. For reliable operation, connect a decoupling capacitor ranging from 0.1μF to 10μF between V <sub>DD</sub> and GND.
VSS	3	1	P	Negative power supply. This pin is the most negative power-supply potential. In single-supply applications, this pin can be connected to ground. For reliable operation, connect a decoupling capacitor ranging from 0.1μF to 10μF between V <sub>SS</sub> and GND.
Thermal Pad			—	The thermal pad is not connected internally. It is recommended that the pad be tied to GND or VSS for best performance.

(1) I = input, O = output, I/O = input and output, P = power.

 (2) Refer to [セクション 8.4](#) for what to do with unused pins.

## 6 Specifications

### 6.1 Absolute Maximum Ratings

over operating free-air temperature range (unless otherwise noted)<sup>(1) (2)</sup>

		MIN	MAX	UNIT
$V_{DD} - V_{SS}$			48	V
$V_{DD}$	Supply voltage	-0.5	48	V
$V_{SS}$		-48	0.5	V
$V_{ADDRESS}$ or $V_{EN}$	Logic control input pin voltage (EN, A0, A1, A2)	-0.5	48	V
$I_{ADDRESS}$ or $I_{EN}$	Logic control input pin current (EN, A0, A1, A2)	-30	30	mA
$V_S$ or $V_D$	Source or drain voltage (Sx, D)	$V_{SS}-0.5$	$V_{DD}+0.5$	V
$I_{IK}$	Diode clamp current <sup>(3)</sup>	-30	30	mA
$I_S$ or $I_D (CONT)$	Source or drain continuous current (Sx, D)		$I_{DC} + 10\%$ <sup>(4)</sup>	mA
$T_A$	Ambient temperature	-55	150	°C
$T_{stg}$	Storage temperature	-65	150	°C
$T_J$	Junction temperature		150	°C
$P_{tot}$	Total power dissipation (QFN package) <sup>(5)</sup>		1650	mW
	Total power dissipation (TSSOP package) <sup>(5)</sup>		700	mW

- (1) Stresses beyond those listed under *Absolute Maximum Rating* may cause permanent damage to the device. These are stress ratings only, which do not imply functional operation of the device at these or any other conditions beyond those indicated under *Recommended Operating Condition*. Exposure to absolute-maximum-rated conditions for extended periods may affect device reliability.
- (2) All voltages are with respect to ground, unless otherwise specified.
- (3) Pins are diode-clamped to the power-supply rails. Over voltage signals must be voltage and current limited to maximum ratings.
- (4) Refer to *Source or Drain Continuous Current* table for  $I_{DC}$  specifications.
- (5) For QFN package:  $P_{tot}$  derates linearly above  $T_A = 70^\circ\text{C}$  by  $24.4\text{mW}/^\circ\text{C}$ .  
For TSSOP package:  $P_{tot}$  derates linearly above  $T_A = 70^\circ\text{C}$  by  $10.8\text{mW}/^\circ\text{C}$ .

### 6.2 ESD Ratings

			VALUE	UNIT
<b>TMUX7208 in PW package</b>				
$V_{(ESD)}$	Electrostatic discharge	Human body model (HBM), per ANSI/ESDA/ JEDEC JS-001, all pins <sup>(1)</sup>	±2000	V
		Charged device model (CDM), per JEDEC specification JESD22-C101, all pins <sup>(2)</sup>	±500	
<b>TMUX7209 in PW package</b>				
$V_{(ESD)}$	Electrostatic discharge	Human body model (HBM), per ANSI/ESDA/ JEDEC JS-001, all pins <sup>(1)</sup>	±2000	V
		Charged device model (CDM), per JEDEC specification JESD22-C101, all pins <sup>(2)</sup>	±500	
<b>TMUX7208 and TMUX7209 in RUM package</b>				
$V_{(ESD)}$	Electrostatic discharge	Human body model (HBM), per ANSI/ESDA/ JEDEC JS-001, all pins <sup>(1)</sup>	±2000	V
		Charged device model (CDM), per JEDEC specification JESD22-C101, all pins <sup>(2)</sup>	±500	

- (1) JEDEC document JEP155 states that 500-V HBM allows safe manufacturing with a standard ESD control process.
- (2) JEDEC document JEP157 states that 250-V CDM allows safe manufacturing with a standard ESD control process.

### 6.3 Thermal Information

THERMAL METRIC <sup>(1)</sup>		TMUX720x		UNIT
		PW (TSSOP)	RUM (WQFN)	
		16 PINS	16 PINS	
R <sub>θJA</sub>	Junction-to-ambient thermal resistance	93.5	41.2	°C/W
R <sub>θJC(top)</sub>	Junction-to-case (top) thermal resistance	24.9	24.5	°C/W
R <sub>θJB</sub>	Junction-to-board thermal resistance	40.0	16.1	°C/W
Ψ <sub>JT</sub>	Junction-to-top characterization parameter	1.0	0.2	°C/W
Ψ <sub>JB</sub>	Junction-to-board characterization parameter	39.4	16.1	°C/W
R <sub>θJC(bot)</sub>	Junction-to-case (bottom) thermal resistance	N/A	2.8	°C/W

(1) For more information about traditional and new thermal metrics, see the [Semiconductor and IC Package Thermal Metrics](#) application report.

### 6.4 Recommended Operating Conditions

over operating free-air temperature range (unless otherwise noted)

		MIN	NOM	MAX	UNIT
V <sub>DD</sub> – V <sub>SS</sub> <sup>(1)</sup>	Power supply voltage differential	4.5		44	V
V <sub>DD</sub>	Positive power supply voltage	4.5		44	V
V <sub>S</sub> or V <sub>D</sub>	Signal path input/output voltage (source or drain pin) (Sx, D)	V <sub>SS</sub>		V <sub>DD</sub>	V
V <sub>ADDRESS</sub> or V <sub>EN</sub>	Address or enable pin voltage	0		44	V
I <sub>S</sub> or I <sub>D</sub> (CONT)	Source or drain continuous current (Sx, D)			I <sub>DC</sub> <sup>(2)</sup>	mA
T <sub>A</sub>	Ambient temperature	–40		125	°C

(1) V<sub>DD</sub> and V<sub>SS</sub> can be any value as long as 4.5 V ≤ (V<sub>DD</sub> – V<sub>SS</sub>) ≤ 44 V, and the minimum V<sub>DD</sub> is met.

(2) Refer to *Source or Drain Continuous Current* table for I<sub>DC</sub> specifications.

### 6.5 Source or Drain Continuous Current

at supply voltage of V<sub>DD</sub> ± 10%, V<sub>SS</sub> ± 10 % (unless otherwise noted)

CONTINUOUS CURRENT PER CHANNEL (I <sub>DC</sub> )		T <sub>A</sub> = 25°C	T <sub>A</sub> = 85°C	T <sub>A</sub> = 125°C	UNIT
PACKAGE	TEST CONDITIONS				
PW (TSSOP)	+44 V Dual Supply <sup>(1)</sup>	300	190	110	mA
	±15 V Dual Supply	300	190	110	mA
	+12 V Single Supply	220	150	90	mA
	±5 V Dual Supply	210	140	90	mA
	+5 V Single Supply	170	110	70	mA
RUM (WQFN)	+44 V Single Supply <sup>(1)</sup>	400	230	120	mA
	±15 V Dual Supply	400	230	120	mA
	+12 V Single Supply	310	190	100	mA
	±5 V Dual Supply	300	190	100	mA
	+5 V Single Supply	230	150	90	mA

(1) Specified for nominal supply voltage only.

## 6.6 ±15 V Dual Supply: Electrical Characteristics

$V_{DD} = +15\text{ V} \pm 10\%$ ,  $V_{SS} = -15\text{ V} \pm 10\%$ ,  $GND = 0\text{ V}$  (unless otherwise noted)

Typical at  $V_{DD} = +15\text{ V}$ ,  $V_{SS} = -15\text{ V}$ ,  $T_A = 25^\circ\text{C}$  (unless otherwise noted)

PARAMETER		TEST CONDITIONS	$T_A$	MIN	TYP	MAX	UNIT	
<b>ANALOG SWITCH</b>								
$R_{ON}$	On-resistance	$V_S = -10\text{ V to }+10\text{ V}$ $I_D = -10\text{ mA}$ Refer to <a href="#">On-Resistance</a>	25°C		4	5.9	$\Omega$	
			-40°C to +85°C			7.4	$\Omega$	
			-40°C to +125°C			8.7	$\Omega$	
$\Delta R_{ON}$	On-resistance mismatch between channels	$V_S = -10\text{ V to }+10\text{ V}$ $I_D = -10\text{ mA}$ Refer to <a href="#">On-Resistance</a>	25°C		0.2	0.7	$\Omega$	
			-40°C to +85°C			0.8	$\Omega$	
			-40°C to +125°C			0.9	$\Omega$	
$R_{ON\text{ FLAT}}$	On-resistance flatness	$V_S = -10\text{ V to }+10\text{ V}$ $I_S = -10\text{ mA}$ Refer to <a href="#">On-Resistance</a>	25°C		0.4	1.5	$\Omega$	
			-40°C to +85°C			1.7	$\Omega$	
			-40°C to +125°C			1.8	$\Omega$	
$R_{ON\text{ DRIFT}}$	On-resistance drift	$V_S = 0\text{ V}$ , $I_S = -10\text{ mA}$ Refer to <a href="#">On-Resistance</a>	-40°C to +125°C		0.02		$\Omega/^\circ\text{C}$	
$I_{S(OFF)}$	Source off leakage current <sup>(1)</sup>	$V_{DD} = 16.5\text{ V}$ , $V_{SS} = -16.5\text{ V}$ Switch state is off $V_S = +10\text{ V} / -10\text{ V}$ $V_D = -10\text{ V} / +10\text{ V}$ Refer to <a href="#">セクション 7.2</a>	25°C	-0.4	0.04	0.4	nA	
			-40°C to +85°C		-1		1	nA
			-40°C to +125°C		-5		5	nA
$I_{D(OFF)}$	Drain off leakage current <sup>(1)</sup>	$V_{DD} = 16.5\text{ V}$ , $V_{SS} = -16.5\text{ V}$ Switch state is off $V_S = +10\text{ V} / -10\text{ V}$ $V_D = -10\text{ V} / +10\text{ V}$ Refer to <a href="#">セクション 7.2</a>	25°C	-0.4	0.04	0.4	nA	
			-40°C to +85°C		-6		6	nA
			-40°C to +125°C		-42		42	nA
$I_{S(ON)}$ $I_{D(ON)}$	Channel on leakage current <sup>(2)</sup>	$V_{DD} = 16.5\text{ V}$ , $V_{SS} = -16.5\text{ V}$ Switch state is on $V_S = V_D = \pm 10\text{ V}$ Refer to <a href="#">セクション 7.3</a>	25°C	-0.4	0.04	0.4	nA	
			-40°C to +85°C		-5		5	nA
			-40°C to +125°C		-40		40	nA
<b>LOGIC INPUTS (EN, A0, A1, A2)</b>								
$V_{IH}$	Logic voltage high		-40°C to +125°C	1.3		44	V	
$V_{IL}$	Logic voltage low		-40°C to +125°C	0		0.8	V	
$I_{IH}$	Input leakage current		-40°C to +125°C		0.4	2	$\mu\text{A}$	
$I_{IL}$	Input leakage current		-40°C to +125°C	-0.1	-0.005		$\mu\text{A}$	
$C_{IN}$	Logic input capacitance		-40°C to +125°C		3.5		pF	
<b>POWER SUPPLY</b>								
$I_{DD}$	$V_{DD}$ supply current	$V_{DD} = 16.5\text{ V}$ , $V_{SS} = -16.5\text{ V}$ Logic inputs = 0 V, 5 V, or $V_{DD}$	25°C		35	57	$\mu\text{A}$	
			-40°C to +85°C			60	$\mu\text{A}$	
			-40°C to +125°C			75	$\mu\text{A}$	
$I_{SS}$	$V_{SS}$ supply current	$V_{DD} = 16.5\text{ V}$ , $V_{SS} = -16.5\text{ V}$ Logic inputs = 0 V, 5 V, or $V_{DD}$	25°C		3	14	$\mu\text{A}$	
			-40°C to +85°C			15	$\mu\text{A}$	
			-40°C to +125°C			22	$\mu\text{A}$	

(1) When  $V_S$  is positive,  $V_D$  is negative, or when  $V_S$  is negative,  $V_D$  is positive.

(2) When  $V_S$  is at a voltage potential,  $V_D$  is floating, or when  $V_D$  is at a voltage potential,  $V_S$  is floating.

**TMUX7208, TMUX7209**

JAJSJ19F – JULY 2020 – REVISED JULY 2024

**6.7 ±15 V Dual Supply: Switching Characteristics**
 $V_{DD} = +15\text{ V} \pm 10\%$ ,  $V_{SS} = -15\text{ V} \pm 10\%$ , GND = 0 V (unless otherwise noted)

 Typical at  $V_{DD} = +15\text{ V}$ ,  $V_{SS} = -15\text{ V}$ ,  $T_A = 25^\circ\text{C}$  (unless otherwise noted)

PARAMETER		TEST CONDITIONS	$T_A$	MIN	TYP	MAX	UNIT
$t_{\text{TRAN}}$	Transition time from control input	$V_S = 10\text{ V}$ $R_L = 300\ \Omega$ , $C_L = 35\text{ pF}$ Refer to <a href="#">Transition Time</a>	25°C		140	195	ns
			-40°C to +85°C			220	ns
			-40°C to +125°C			240	ns
$t_{\text{ON (EN)}}$	Turn-on time from enable	$V_S = 10\text{ V}$ $R_L = 300\ \Omega$ , $C_L = 35\text{ pF}$ Refer to <a href="#">セクション 7.5</a>	25°C		140	195	ns
			-40°C to +85°C			220	ns
			-40°C to +125°C			240	ns
$t_{\text{OFF (EN)}}$	Turn-off time from enable	$V_S = 10\text{ V}$ $R_L = 300\ \Omega$ , $C_L = 35\text{ pF}$ Refer to <a href="#">セクション 7.5</a>	25°C		200	268	ns
			-40°C to +85°C			285	ns
			-40°C to +125°C			298	ns
$t_{\text{BBM}}$	Break-before-make time delay	$V_S = 10\text{ V}$ , $R_L = 300\ \Omega$ , $C_L = 35\text{ pF}$ Refer to <a href="#">Break-Before-Make</a>	25°C		60		ns
			-40°C to +85°C	1			ns
			-40°C to +125°C	1			ns
$T_{\text{ON (VDD)}}$	Device turn on time ( $V_{DD}$ to output)	$V_{DD}$ rise time = 1 $\mu\text{s}$ $R_L = 300\ \Omega$ , $C_L = 35\text{ pF}$ Refer to <a href="#">Turn-on (VDD) Time</a>	25°C		0.16		ms
			-40°C to +85°C			0.17	ms
			-40°C to +125°C			0.17	ms
$t_{\text{PD}}$	Propagation delay	$R_L = 50\ \Omega$ , $C_L = 5\text{ pF}$ Refer to <a href="#">セクション 7.8</a>	25°C		1.8		ns
$Q_{\text{INJ}}$	Charge injection	$V_S = 0\text{ V}$ , $C_L = 100\text{ pF}$ Refer to <a href="#">セクション 7.9</a>	25°C		3		pC
$O_{\text{ISO}}$	Off-isolation	$R_L = 50\ \Omega$ , $C_L = 5\text{ pF}$ $V_S = 0\text{ V}$ , $f = 100\text{ kHz}$ Refer to <a href="#">Off Isolation</a>	25°C		-82		dB
$O_{\text{ISO}}$	Off-isolation	$R_L = 50\ \Omega$ , $C_L = 5\text{ pF}$ $V_S = 0\text{ V}$ , $f = 1\text{ MHz}$ Refer to <a href="#">Off Isolation</a>	25°C		-62		dB
$X_{\text{TALK}}$	Crosstalk	$R_L = 50\ \Omega$ , $C_L = 5\text{ pF}$ $V_S = 0\text{ V}$ , $f = 100\text{ kHz}$ Refer to <a href="#">Crosstalk</a>	25°C		-85		dB
$X_{\text{TALK}}$	Crosstalk	$R_L = 50\ \Omega$ , $C_L = 5\text{ pF}$ $V_S = 0\text{ V}$ , $f = 1\text{ MHz}$ Refer to <a href="#">Crosstalk</a>	25°C		-65		dB
BW	-3dB Bandwidth (TMUX7208)	$R_L = 50\ \Omega$ , $C_L = 5\text{ pF}$ $V_S = 0\text{ V}$ Refer to <a href="#">Bandwidth</a>	25°C		30		MHz
BW	-3dB Bandwidth (TMUX7209)	$R_L = 50\ \Omega$ , $C_L = 5\text{ pF}$ $V_S = 0\text{ V}$ Refer to <a href="#">Bandwidth</a>	25°C		52		MHz
$I_L$	Insertion loss	$R_L = 50\ \Omega$ , $C_L = 5\text{ pF}$ $V_S = 0\text{ V}$ , $f = 1\text{ MHz}$	25°C		-0.35		dB
ACPSRR	AC Power Supply Rejection Ratio	$V_{PP} = 0.62\text{ V}$ on $V_{DD}$ and $V_{SS}$ $R_L = 50\ \Omega$ , $C_L = 5\text{ pF}$ , $f = 1\text{ MHz}$ Refer to <a href="#">ACPSRR</a>	25°C		-74		dB
THD+N	Total Harmonic Distortion + Noise	$V_{PP} = 15\text{ V}$ , $V_{BIAS} = 0\text{ V}$ $R_L = 10\text{ k}\Omega$ , $C_L = 5\text{ pF}$ , $f = 20\text{ Hz}$ to $20\text{ kHz}$ Refer to <a href="#">THD + Noise</a>	25°C		0.0003		%
$C_{S(\text{OFF})}$	Source off capacitance	$V_S = 0\text{ V}$ , $f = 1\text{ MHz}$	25°C		15		pF
$C_{D(\text{OFF})}$	Drain off capacitance (TMUX7208)	$V_S = 0\text{ V}$ , $f = 1\text{ MHz}$	25°C		135		pF
$C_{D(\text{OFF})}$	Drain off capacitance (TMUX7209)	$V_S = 0\text{ V}$ , $f = 1\text{ MHz}$	25°C		68		pF
$C_{S(\text{ON})}$ , $C_{D(\text{ON})}$	On capacitance (TMUX7208)	$V_S = 0\text{ V}$ , $f = 1\text{ MHz}$	25°C		185		pF

### 6.7 ±15 V Dual Supply: Switching Characteristics (続き)

$V_{DD} = +15\text{ V} \pm 10\%$ ,  $V_{SS} = -15\text{ V} \pm 10\%$ , GND = 0 V (unless otherwise noted)

Typical at  $V_{DD} = +15\text{ V}$ ,  $V_{SS} = -15\text{ V}$ ,  $T_A = 25^\circ\text{C}$  (unless otherwise noted)

PARAMETER		TEST CONDITIONS	$T_A$	MIN	TYP	MAX	UNIT
$C_{S(ON)}$ , $C_{D(ON)}$	On capacitance (TMUX7209)	$V_S = 0\text{ V}$ , $f = 1\text{ MHz}$	25°C		115		pF

### 6.8 ±20 V Dual Supply: Electrical Characteristics

$V_{DD} = +20\text{ V} \pm 10\%$ ,  $V_{SS} = -20\text{ V} \pm 10\%$ ,  $GND = 0\text{ V}$  (unless otherwise noted)

Typical at  $V_{DD} = +20\text{ V}$ ,  $V_{SS} = -20\text{ V}$ ,  $T_A = 25^\circ\text{C}$  (unless otherwise noted)

PARAMETER		TEST CONDITIONS	$T_A$	MIN	TYP	MAX	UNIT	
<b>ANALOG SWITCH</b>								
$R_{ON}$	On-resistance	$V_S = -15\text{ V to }+15\text{ V}$ $I_D = -10\text{ mA}$ Refer to <a href="#">On-Resistance</a>	25°C		3.5	5.4	$\Omega$	
			-40°C to +85°C			6.7	$\Omega$	
			-40°C to +125°C			7.9	$\Omega$	
$\Delta R_{ON}$	On-resistance mismatch between channels	$V_S = -15\text{ V to }+15\text{ V}$ $I_D = -10\text{ mA}$ Refer to <a href="#">On-Resistance</a>	25°C		0.2	0.7	$\Omega$	
			-40°C to +85°C			0.8	$\Omega$	
			-40°C to +125°C			0.9	$\Omega$	
$R_{ON\text{ FLAT}}$	On-resistance flatness	$V_S = -15\text{ V to }+15\text{ V}$ $I_S = -10\text{ mA}$ Refer to <a href="#">On-Resistance</a>	25°C		0.4	1.2	$\Omega$	
			-40°C to +85°C			1.5	$\Omega$	
			-40°C to +125°C			1.9	$\Omega$	
$R_{ON\text{ DRIFT}}$	On-resistance drift	$V_S = 0\text{ V}$ , $I_S = -10\text{ mA}$ Refer to <a href="#">On-Resistance</a>	-40°C to +125°C		0.016		$\Omega/^\circ\text{C}$	
$I_{S(OFF)}$	Source off leakage current <sup>(1)</sup>	$V_{DD} = 22\text{ V}$ , $V_{SS} = -22\text{ V}$ Switch state is off $V_S = +15\text{ V} / -15\text{ V}$ $V_D = -15\text{ V} / +15\text{ V}$ Refer to <a href="#">セクション 7.2</a>	25°C	-1	0.04	1	nA	
			-40°C to +85°C		-2		2	nA
			-40°C to +125°C		-10		10	nA
$I_{D(OFF)}$	Drain off leakage current <sup>(1)</sup>	$V_{DD} = 22\text{ V}$ , $V_{SS} = -22\text{ V}$ Switch state is off $V_S = +15\text{ V} / -15\text{ V}$ $V_D = -15\text{ V} / +15\text{ V}$ Refer to <a href="#">セクション 7.2</a>	25°C	-1	0.04	1	nA	
			-40°C to +85°C		-11		11	nA
			-40°C to +125°C		-70		70	nA
$I_{S(ON)}$ $I_{D(ON)}$	Channel on leakage current <sup>(2)</sup>	$V_{DD} = 22\text{ V}$ , $V_{SS} = -22\text{ V}$ Switch state is on $V_S = V_D = \pm 15\text{ V}$ Refer to <a href="#">セクション 7.3</a>	25°C	-1	0.04	1	nA	
			-40°C to +85°C		-10		10	nA
			-40°C to +125°C		-62		62	nA
<b>LOGIC INPUTS (EN, A0, A1, A2)</b>								
$V_{IH}$	Logic voltage high		-40°C to +125°C	1.3		44	V	
$V_{IL}$	Logic voltage low		-40°C to +125°C	0		0.8	V	
$I_{IH}$	Input leakage current		-40°C to +125°C		0.4	2	$\mu\text{A}$	
$I_{IL}$	Input leakage current		-40°C to +125°C	-0.1	-0.005		$\mu\text{A}$	
$C_{IN}$	Logic input capacitance		-40°C to +125°C		3.5		pF	
<b>POWER SUPPLY</b>								
$I_{DD}$	$V_{DD}$ supply current	$V_{DD} = 22\text{ V}$ , $V_{SS} = -22\text{ V}$ Logic inputs = 0 V, 5 V, or $V_{DD}$	25°C		40	60	$\mu\text{A}$	
			-40°C to +85°C			70	$\mu\text{A}$	
			-40°C to +125°C			84	$\mu\text{A}$	
$I_{SS}$	$V_{SS}$ supply current	$V_{DD} = 22\text{ V}$ , $V_{SS} = -22\text{ V}$ Logic inputs = 0 V, 5 V, or $V_{DD}$	25°C		2	9	$\mu\text{A}$	
			-40°C to +85°C			18	$\mu\text{A}$	
			-40°C to +125°C			24	$\mu\text{A}$	

(1) When  $V_S$  is positive,  $V_D$  is negative, and vice versa.

(2) When  $V_S$  is at a voltage potential,  $V_D$  is floating, and vice versa.

## 6.9 ±20 V Dual Supply: Switching Characteristics

$V_{DD} = +20\text{ V} \pm 10\%$ ,  $V_{SS} = -20\text{ V} \pm 10\%$ ,  $GND = 0\text{ V}$  (unless otherwise noted)

Typical at  $V_{DD} = +20\text{ V}$ ,  $V_{SS} = -20\text{ V}$ ,  $T_A = 25^\circ\text{C}$  (unless otherwise noted)

PARAMETER		TEST CONDITIONS	$T_A$	MIN	TYP	MAX	UNIT
$t_{\text{TRAN}}$	Transition time from control input	$V_S = 10\text{ V}$ $R_L = 300\ \Omega$ , $C_L = 35\text{ pF}$ Refer to <a href="#">Transition Time</a>	25°C		115	208	ns
			-40°C to +85°C			230	ns
			-40°C to +125°C			248	ns
$t_{\text{ON (EN)}}$	Turn-on time from enable	$V_S = 10\text{ V}$ $R_L = 300\ \Omega$ , $C_L = 35\text{ pF}$ Refer to <a href="#">セクション 7.5</a>	25°C		115	205	ns
			-40°C to +85°C			228	ns
			-40°C to +125°C			248	ns
$t_{\text{OFF (EN)}}$	Turn-off time from enable	$V_S = 10\text{ V}$ $R_L = 300\ \Omega$ , $C_L = 35\text{ pF}$ Refer to <a href="#">セクション 7.5</a>	25°C		148	270	ns
			-40°C to +85°C			285	ns
			-40°C to +125°C			290	ns
$t_{\text{BBM}}$	Break-before-make time delay	$V_S = 10\text{ V}$ , $R_L = 300\ \Omega$ , $C_L = 35\text{ pF}$ Refer to <a href="#">Break-Before-Make</a>	25°C		50		ns
			-40°C to +85°C	1			ns
			-40°C to +125°C	1			ns
$T_{\text{ON (VDD)}}$	Device turn on time ( $V_{DD}$ to output)	$V_{DD}$ rise time = 1 $\mu\text{s}$ $R_L = 300\ \Omega$ , $C_L = 35\text{ pF}$ Refer to <a href="#">Turn-on (VDD) Time</a>	25°C		0.15		ms
			-40°C to +85°C			0.16	ms
			-40°C to +125°C			0.16	ms
$t_{\text{PD}}$	Propagation delay	$R_L = 50\ \Omega$ , $C_L = 5\text{ pF}$ Refer to <a href="#">セクション 7.8</a>	25°C		1.8		ns
$Q_{\text{INJ}}$	Charge injection	$V_S = 0\text{ V}$ , $C_L = 100\text{ pF}$ Refer to <a href="#">セクション 7.9</a>	25°C		2		pC
$O_{\text{ISO}}$	Off-isolation	$R_L = 50\ \Omega$ , $C_L = 5\text{ pF}$ $V_S = 0\text{ V}$ , $f = 100\text{ kHz}$ Refer to <a href="#">Off Isolation</a>	25°C		-82		dB
$O_{\text{ISO}}$	Off-isolation	$R_L = 50\ \Omega$ , $C_L = 5\text{ pF}$ $V_S = 0\text{ V}$ , $f = 1\text{ MHz}$ Refer to <a href="#">Off Isolation</a>	25°C		-62		dB
$X_{\text{TALK}}$	Crosstalk	$R_L = 50\ \Omega$ , $C_L = 5\text{ pF}$ $V_S = 0\text{ V}$ , $f = 100\text{ kHz}$ Refer to <a href="#">Crosstalk</a>	25°C		-85		dB
$X_{\text{TALK}}$	Crosstalk	$R_L = 50\ \Omega$ , $C_L = 5\text{ pF}$ $V_S = 0\text{ V}$ , $f = 1\text{ MHz}$ Refer to <a href="#">Crosstalk</a>	25°C		-65		dB
BW	-3dB Bandwidth (TMUX7208)	$R_L = 50\ \Omega$ , $C_L = 5\text{ pF}$ $V_S = 0\text{ V}$ Refer to <a href="#">Bandwidth</a>	25°C		30		MHz
BW	-3dB Bandwidth (TMUX7209)	$R_L = 50\ \Omega$ , $C_L = 5\text{ pF}$ $V_S = 0\text{ V}$ Refer to <a href="#">Bandwidth</a>	25°C		52		MHz
$I_L$	Insertion loss	$R_L = 50\ \Omega$ , $C_L = 5\text{ pF}$ $V_S = 0\text{ V}$ , $f = 1\text{ MHz}$	25°C		-0.3		dB
ACPSRR	AC Power Supply Rejection Ratio	$V_{PP} = 0.62\text{ V}$ on $V_{DD}$ and $V_{SS}$ $R_L = 50\ \Omega$ , $C_L = 5\text{ pF}$ , $f = 1\text{ MHz}$ Refer to <a href="#">ACPSRR</a>	25°C		-72		dB
THD+N	Total Harmonic Distortion + Noise	$V_{PP} = 20\text{ V}$ , $V_{\text{BIAS}} = 0\text{ V}$ $R_L = 10\text{ k}\Omega$ , $C_L = 5\text{ pF}$ , $f = 20\text{ Hz}$ to $20\text{ kHz}$ Refer to <a href="#">THD + Noise</a>	25°C		0.0003		%
$C_{\text{S(OFF)}}$	Source off capacitance	$V_S = 0\text{ V}$ , $f = 1\text{ MHz}$	25°C		14		pF
$C_{\text{D(OFF)}}$	Drain off capacitance (TMUX7208)	$V_S = 0\text{ V}$ , $f = 1\text{ MHz}$	25°C		130		pF
$C_{\text{D(OFF)}}$	Drain off capacitance (TMUX7209)	$V_S = 0\text{ V}$ , $f = 1\text{ MHz}$	25°C		65		pF
$C_{\text{S(ON)}}$ , $C_{\text{D(ON)}}$	On capacitance (TMUX7208)	$V_S = 0\text{ V}$ , $f = 1\text{ MHz}$	25°C		180		pF

### 6.9 ±20 V Dual Supply: Switching Characteristics (続き)

 $V_{DD} = +20\text{ V} \pm 10\%$ ,  $V_{SS} = -20\text{ V} \pm 10\%$ ,  $GND = 0\text{ V}$  (unless otherwise noted)

 Typical at  $V_{DD} = +20\text{ V}$ ,  $V_{SS} = -20\text{ V}$ ,  $T_A = 25^\circ\text{C}$  (unless otherwise noted)

PARAMETER		TEST CONDITIONS	$T_A$	MIN	TYP	MAX	UNIT
$C_{S(ON)}$ , $C_{D(ON)}$	On capacitance (TMUX7209)	$V_S = 0\text{ V}$ , $f = 1\text{ MHz}$	$25^\circ\text{C}$		114		pF

## 6.10 44 V Single Supply: Electrical Characteristics

$V_{DD} = +44\text{ V}$ ,  $V_{SS} = 0\text{ V}$ ,  $GND = 0\text{ V}$  (unless otherwise noted)

Typical at  $V_{DD} = +44\text{ V}$ ,  $V_{SS} = 0\text{ V}$ ,  $T_A = 25^\circ\text{C}$  (unless otherwise noted)

PARAMETER		TEST CONDITIONS	$T_A$	MIN	TYP	MAX	UNIT
<b>ANALOG SWITCH</b>							
$R_{ON}$	On-resistance	$V_S = 0\text{ V to }40\text{ V}$ $I_D = -10\text{ mA}$ Refer to <a href="#">On-Resistance</a>	25°C	3.5	5.5		$\Omega$
			-40°C to +85°C			7	$\Omega$
			-40°C to +125°C			8.4	$\Omega$
$\Delta R_{ON}$	On-resistance mismatch between channels	$V_S = 0\text{ V to }40\text{ V}$ $I_D = -10\text{ mA}$ Refer to <a href="#">On-Resistance</a>	25°C	0.2	0.7		$\Omega$
			-40°C to +85°C			0.8	$\Omega$
			-40°C to +125°C			0.9	$\Omega$
$R_{ON\text{ FLAT}}$	On-resistance flatness	$V_S = 0\text{ V to }40\text{ V}$ $I_D = -10\text{ mA}$ Refer to <a href="#">On-Resistance</a>	25°C	0.4	1.85		$\Omega$
			-40°C to +85°C			2.3	$\Omega$
			-40°C to +125°C			2.8	$\Omega$
$R_{ON\text{ DRIFT}}$	On-resistance drift	$V_S = 22\text{ V}$ , $I_S = -10\text{ mA}$ Refer to <a href="#">On-Resistance</a>	-40°C to +125°C	0.015			$\Omega/^\circ\text{C}$
$I_{S(OFF)}$	Source off leakage current <sup>(1)</sup>	$V_{DD} = 44\text{ V}$ , $V_{SS} = 0\text{ V}$ Switch state is off $V_S = 40\text{ V} / 1\text{ V}$ $V_D = 1\text{ V} / 40\text{ V}$ Refer to <a href="#">セクション 7.2</a>	25°C	-1	0.04	1	nA
			-40°C to +85°C			2.5	nA
			-40°C to +125°C			14	nA
$I_{D(OFF)}$	Drain off leakage current <sup>(1)</sup>	$V_{DD} = 44\text{ V}$ , $V_{SS} = 0\text{ V}$ Switch state is off $V_S = 40\text{ V} / 1\text{ V}$ $V_D = 1\text{ V} / 40\text{ V}$ Refer to <a href="#">セクション 7.2</a>	25°C	-1	0.05	1	nA
			-40°C to +85°C			16	nA
			-40°C to +125°C			110	nA
$I_{S(ON)}$ $I_{D(ON)}$	Channel on leakage current <sup>(2)</sup>	$V_{DD} = 44\text{ V}$ , $V_{SS} = 0\text{ V}$ Switch state is on $V_S = V_D = 40\text{ V or }1\text{ V}$ Refer to <a href="#">セクション 7.3</a>	25°C	-1	0.05	1	nA
			-40°C to +85°C			15	nA
			-40°C to +125°C			98	nA
<b>LOGIC INPUTS (EN, A0, A1, A2)</b>							
$V_{IH}$	Logic voltage high		-40°C to +125°C	1.3		44	V
$V_{IL}$	Logic voltage low		-40°C to +125°C	0		0.8	V
$I_{IH}$	Input leakage current		-40°C to +125°C		0.4	2	$\mu\text{A}$
$I_{IL}$	Input leakage current		-40°C to +125°C	-0.1	-0.005		$\mu\text{A}$
$C_{IN}$	Logic input capacitance		-40°C to +125°C		3.5		pF
<b>POWER SUPPLY</b>							
$I_{DD}$	$V_{DD}$ supply current	$V_{DD} = 44\text{ V}$ , $V_{SS} = 0\text{ V}$ Logic inputs = 0 V, 5 V, or $V_{DD}$	25°C		55	85	$\mu\text{A}$
			-40°C to +85°C			95	$\mu\text{A}$
			-40°C to +125°C			110	$\mu\text{A}$

(1) When  $V_S$  is positive,  $V_D$  is negative, or when  $V_S$  is negative,  $V_D$  is positive.

(2) When  $V_S$  is at a voltage potential,  $V_D$  is floating, or when  $V_D$  is at a voltage potential,  $V_S$  is floating.

### 6.11 44 V Single Supply: Switching Characteristics

$V_{DD} = +44\text{ V}$ ,  $V_{SS} = 0\text{ V}$ ,  $GND = 0\text{ V}$  (unless otherwise noted)

Typical at  $V_{DD} = +44\text{ V}$ ,  $V_{SS} = 0\text{ V}$ ,  $T_A = 25^\circ\text{C}$  (unless otherwise noted)

PARAMETER		TEST CONDITIONS	$T_A$	MIN	TYP	MAX	UNIT
$t_{\text{TRAN}}$	Transition time from control input	$V_S = 18\text{ V}$ $R_L = 300\ \Omega$ , $C_L = 35\text{ pF}$ Refer to <a href="#">Transition Time</a>	25°C		110	205	ns
			-40°C to +85°C			226	ns
			-40°C to +125°C			245	ns
$t_{\text{ON (EN)}}$	Turn-on time from enable	$V_S = 18\text{ V}$ $R_L = 300\ \Omega$ , $C_L = 35\text{ pF}$ Refer to <a href="#">セクション 7.5</a>	25°C		120	205	ns
			-40°C to +85°C			225	ns
			-40°C to +125°C			245	ns
$t_{\text{OFF (EN)}}$	Turn-off time from enable	$V_S = 18\text{ V}$ $R_L = 300\ \Omega$ , $C_L = 35\text{ pF}$ Refer to <a href="#">セクション 7.5</a>	25°C		280	300	ns
			-40°C to +85°C			310	ns
			-40°C to +125°C			320	ns
$t_{\text{BBM}}$	Break-before-make time delay	$V_S = 18\text{ V}$ , $R_L = 300\ \Omega$ , $C_L = 35\text{ pF}$ Refer to <a href="#">Break-Before-Make</a>	25°C		40		ns
			-40°C to +85°C	1			ns
			-40°C to +125°C	1			ns
$T_{\text{ON (VDD)}}$	Device turn on time ( $V_{DD}$ to output)	$V_{DD}$ rise time = 1 $\mu\text{s}$ $R_L = 300\ \Omega$ , $C_L = 35\text{ pF}$ Refer to <a href="#">Turn-on (VDD) Time</a>	25°C		0.12		ms
			-40°C to +85°C			0.13	ms
			-40°C to +125°C			0.13	ms
$t_{\text{PD}}$	Propagation delay	$R_L = 50\ \Omega$ , $C_L = 5\text{ pF}$ Refer to <a href="#">セクション 7.8</a>	25°C		2.5		ns
$Q_{\text{INJ}}$	Charge injection	$V_S = 22\text{ V}$ , $C_L = 100\text{ pF}$ Refer to <a href="#">セクション 7.9</a>	25°C		-5		pC
$O_{\text{ISO}}$	Off-isolation	$R_L = 50\ \Omega$ , $C_L = 5\text{ pF}$ $V_S = 6\text{ V}$ , $f = 100\text{ kHz}$ Refer to <a href="#">Off Isolation</a>	25°C		-82		dB
$O_{\text{ISO}}$	Off-isolation	$R_L = 50\ \Omega$ , $C_L = 5\text{ pF}$ $V_S = 6\text{ V}$ , $f = 1\text{ MHz}$ Refer to <a href="#">Off Isolation</a>	25°C		-62		dB
$X_{\text{TALK}}$	Crosstalk	$R_L = 50\ \Omega$ , $C_L = 5\text{ pF}$ $V_S = 6\text{ V}$ , $f = 100\text{ kHz}$ Refer to <a href="#">Crosstalk</a>	25°C		-85		dB
$X_{\text{TALK}}$	Crosstalk	$R_L = 50\ \Omega$ , $C_L = 5\text{ pF}$ $V_S = 6\text{ V}$ , $f = 1\text{ MHz}$ Refer to <a href="#">Crosstalk</a>	25°C		-85		dB
BW	-3dB Bandwidth (TMUX7208)	$R_L = 50\ \Omega$ , $C_L = 5\text{ pF}$ $V_S = 6\text{ V}$ Refer to <a href="#">Bandwidth</a>	25°C		30		MHz
BW	-3dB Bandwidth (TMUX7209)	$R_L = 50\ \Omega$ , $C_L = 5\text{ pF}$ $V_S = 6\text{ V}$ Refer to <a href="#">Bandwidth</a>	25°C		51		MHz
$I_L$	Insertion loss	$R_L = 50\ \Omega$ , $C_L = 5\text{ pF}$ $V_S = 6\text{ V}$ , $f = 1\text{ MHz}$	25°C		-0.35		dB
ACPSRR	AC Power Supply Rejection Ratio	$V_{\text{PP}} = 0.62\text{ V}$ on $V_{\text{DD}}$ and $V_{\text{SS}}$ $R_L = 50\ \Omega$ , $C_L = 5\text{ pF}$ , $f = 1\text{ MHz}$ Refer to <a href="#">ACPSRR</a>	25°C		-70		dB
THD+N	Total Harmonic Distortion + Noise	$V_{\text{PP}} = 22\text{ V}$ , $V_{\text{BIAS}} = 22\text{ V}$ $R_L = 10\text{ k}\Omega$ , $C_L = 5\text{ pF}$ , $f = 20\text{ Hz}$ to $20\text{ kHz}$ Refer to <a href="#">THD + Noise</a>	25°C		0.0002		%
$C_{\text{S(OFF)}}$	Source off capacitance	$V_S = 22\text{ V}$ , $f = 1\text{ MHz}$	25°C		15		pF
$C_{\text{D(OFF)}}$	Drain off capacitance (TMUX7208)	$V_S = 22\text{ V}$ , $f = 1\text{ MHz}$	25°C		135		pF
$C_{\text{D(OFF)}}$	Drain off capacitance (TMUX7209)	$V_S = 22\text{ V}$ , $f = 1\text{ MHz}$	25°C		67		pF
$C_{\text{S(ON)}}$ , $C_{\text{D(ON)}}$	On capacitance (TMUX7208)	$V_S = 22\text{ V}$ , $f = 1\text{ MHz}$	25°C		185		pF

### 6.11 44 V Single Supply: Switching Characteristics (続き)

$V_{DD} = +44\text{ V}$ ,  $V_{SS} = 0\text{ V}$ ,  $GND = 0\text{ V}$  (unless otherwise noted)

Typical at  $V_{DD} = +44\text{ V}$ ,  $V_{SS} = 0\text{ V}$ ,  $T_A = 25^\circ\text{C}$  (unless otherwise noted)

PARAMETER		TEST CONDITIONS	$T_A$	MIN	TYP	MAX	UNIT
$C_{S(ON)}$ , $C_{D(ON)}$	On capacitance (TMUX7209)	$V_S = 22\text{ V}$ , $f = 1\text{ MHz}$	$25^\circ\text{C}$		115		pF

### 6.12 12 V Single Supply: Electrical Characteristics

$V_{DD} = +12\text{ V} \pm 10\%$ ,  $V_{SS} = 0\text{ V}$ ,  $GND = 0\text{ V}$  (unless otherwise noted)

Typical at  $V_{DD} = +12\text{ V}$ ,  $V_{SS} = 0\text{ V}$ ,  $T_A = 25^\circ\text{C}$  (unless otherwise noted)

PARAMETER		TEST CONDITIONS	$T_A$	MIN	TYP	MAX	UNIT	
<b>ANALOG SWITCH</b>								
$R_{ON}$	On-resistance	$V_S = 0\text{ V to }10\text{ V}$ $I_D = -10\text{ mA}$ Refer to <a href="#">On-Resistance</a>	25°C		7	11.8	$\Omega$	
			-40°C to +85°C			14.2	$\Omega$	
			-40°C to +125°C			16.5	$\Omega$	
$\Delta R_{ON}$	On-resistance mismatch between channels	$V_S = 0\text{ V to }10\text{ V}$ $I_D = -10\text{ mA}$ Refer to <a href="#">On-Resistance</a>	25°C		0.2	0.7	$\Omega$	
			-40°C to +85°C			0.8	$\Omega$	
			-40°C to +125°C			0.9	$\Omega$	
$R_{ON\ FLAT}$	On-resistance flatness	$V_S = 0\text{ V to }10\text{ V}$ $I_S = -10\text{ mA}$ Refer to <a href="#">On-Resistance</a>	25°C		1.7	3.4	$\Omega$	
			-40°C to +85°C			3.8	$\Omega$	
			-40°C to +125°C			4.6	$\Omega$	
$R_{ON\ DRIFT}$	On-resistance drift	$V_S = 6\text{ V}$ , $I_S = -10\text{ mA}$ Refer to <a href="#">On-Resistance</a>	-40°C to +125°C		0.03		$\Omega/^\circ\text{C}$	
$I_{S(OFF)}$	Source off leakage current <sup>(1)</sup>	$V_{DD} = 13.2\text{ V}$ , $V_{SS} = 0\text{ V}$ Switch state is off $V_S = 10\text{ V} / 1\text{ V}$ $V_D = 1\text{ V} / 10\text{ V}$ Refer to <a href="#">セクション 7.2</a>	25°C	-0.4	0.04	0.4	nA	
			-40°C to +85°C		-1		1	nA
			-40°C to +125°C		-5		5	nA
$I_{D(OFF)}$	Drain off leakage current <sup>(1)</sup>	$V_{DD} = 13.2\text{ V}$ , $V_{SS} = 0\text{ V}$ Switch state is off $V_S = 10\text{ V} / 1\text{ V}$ $V_D = 1\text{ V} / 10\text{ V}$ Refer to <a href="#">セクション 7.2</a>	25°C	-0.4	0.05	0.4	nA	
			-40°C to +85°C		-5		5	nA
			-40°C to +125°C		-30		30	nA
$I_{S(ON)}$ $I_{D(ON)}$	Channel on leakage current <sup>(2)</sup>	$V_{DD} = 13.2\text{ V}$ , $V_{SS} = 0\text{ V}$ Switch state is on $V_S = V_D = 10\text{ V or }1\text{ V}$ Refer to <a href="#">セクション 7.3</a>	25°C	-0.4	0.05	0.4	nA	
			-40°C to +85°C		-4		4	nA
			-40°C to +125°C		-28		28	nA
<b>LOGIC INPUTS (EN, A0, A1, A2)</b>								
$V_{IH}$	Logic voltage high		-40°C to +125°C	1.3		44	V	
$V_{IL}$	Logic voltage low		-40°C to +125°C	0		0.8	V	
$I_{IH}$	Input leakage current		-40°C to +125°C		0.4	2	$\mu\text{A}$	
$I_{IL}$	Input leakage current		-40°C to +125°C	-0.1	-0.005		$\mu\text{A}$	
$C_{IN}$	Logic input capacitance		-40°C to +125°C		3.5		pF	
<b>POWER SUPPLY</b>								
$I_{DD}$	$V_{DD}$ supply current	$V_{DD} = 13.2\text{ V}$ , $V_{SS} = 0\text{ V}$ Logic inputs = 0 V, 5 V, or $V_{DD}$	25°C		30	48	$\mu\text{A}$	
			-40°C to +85°C			54	$\mu\text{A}$	
			-40°C to +125°C			65	$\mu\text{A}$	

(1) When  $V_S$  is positive,  $V_D$  is negative, or when  $V_S$  is negative,  $V_D$  is positive.

(2) When  $V_S$  is at a voltage potential,  $V_D$  is floating, or when  $V_D$  is at a voltage potential,  $V_S$  is floating.

### 6.13 12 V Single Supply: Switching Characteristics

$V_{DD} = +12\text{ V} \pm 10\%$ ,  $V_{SS} = 0\text{ V}$ ,  $GND = 0\text{ V}$  (unless otherwise noted)  
Typical at  $V_{DD} = +12\text{ V}$ ,  $V_{SS} = 0\text{ V}$ ,  $T_A = 25^\circ\text{C}$  (unless otherwise noted)

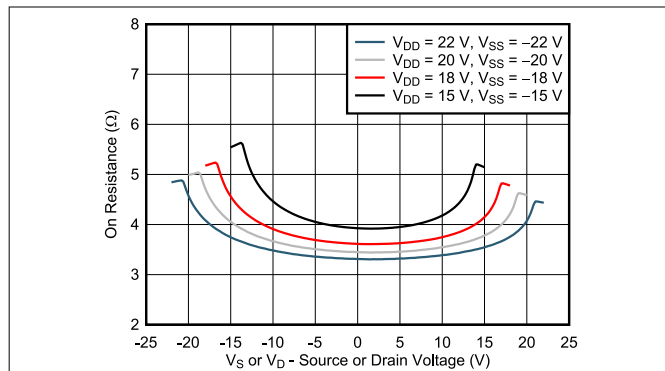
PARAMETER		TEST CONDITIONS	$T_A$	MIN	TYP	MAX	UNIT
$t_{\text{TRAN}}$	Transition time from control input	$V_S = 8\text{ V}$ $R_L = 300\ \Omega$ , $C_L = 35\text{ pF}$ Refer to <a href="#">Transition Time</a>	25°C		180	210	ns
			-40°C to +85°C			245	ns
			-40°C to +125°C			276	ns
$t_{\text{ON (EN)}}$	Turn-on time from enable	$V_S = 8\text{ V}$ $R_L = 300\ \Omega$ , $C_L = 35\text{ pF}$ Refer to <a href="#">セクション 7.5</a>	25°C		115	202	ns
			-40°C to +85°C			235	ns
			-40°C to +125°C			265	ns
$t_{\text{OFF (EN)}}$	Turn-off time from enable	$V_S = 8\text{ V}$ $R_L = 300\ \Omega$ , $C_L = 35\text{ pF}$ Refer to <a href="#">セクション 7.5</a>	25°C		290	318	ns
			-40°C to +85°C			350	ns
			-40°C to +125°C			370	ns
$t_{\text{BBM}}$	Break-before-make time delay	$V_S = 8\text{ V}$ , $R_L = 300\ \Omega$ , $C_L = 35\text{ pF}$ Refer to <a href="#">Break-Before-Make</a>	25°C		50		ns
			-40°C to +85°C	1			ns
			-40°C to +125°C	1			ns
$T_{\text{ON (VDD)}}$	Device turn on time ( $V_{DD}$ to output)	$V_{DD}$ rise time = 1 $\mu\text{s}$ $R_L = 300\ \Omega$ , $C_L = 35\text{ pF}$ Refer to <a href="#">Turn-on (VDD) Time</a>	25°C		0.16		ms
			-40°C to +85°C		0.17	1	ms
			-40°C to +125°C		0.17	1	ms
$t_{\text{PD}}$	Propagation delay	$R_L = 50\ \Omega$ , $C_L = 5\text{ pF}$ Refer to <a href="#">セクション 7.8</a>	25°C		2.5		ns
$Q_{\text{INJ}}$	Charge injection	$V_S = 6\text{ V}$ , $C_L = 100\text{ pF}$ Refer to <a href="#">セクション 7.9</a>	25°C		2		pC
$O_{\text{ISO}}$	Off-isolation	$R_L = 50\ \Omega$ , $C_L = 5\text{ pF}$ $V_S = 6\text{ V}$ , $f = 100\text{ kHz}$	25°C		-82		dB
$O_{\text{ISO}}$	Off-isolation	$R_L = 50\ \Omega$ , $C_L = 5\text{ pF}$ $V_S = 6\text{ V}$ , $f = 1\text{ MHz}$ Refer to <a href="#">Off Isolation</a>	25°C		-62		dB
$X_{\text{TALK}}$	Crosstalk	$R_L = 50\ \Omega$ , $C_L = 5\text{ pF}$ $V_S = 6\text{ V}$ , $f = 100\text{ kHz}$ Refer to <a href="#">Crosstalk</a>	25°C		-85		dB
$X_{\text{TALK}}$	Crosstalk	$R_L = 50\ \Omega$ , $C_L = 5\text{ pF}$ $V_S = 6\text{ V}$ , $f = 1\text{ MHz}$ Refer to <a href="#">Crosstalk</a>	25°C		-65		dB
BW	-3dB Bandwidth (TMUX7208)	$R_L = 50\ \Omega$ , $C_L = 5\text{ pF}$ $V_S = 6\text{ V}$ Refer to <a href="#">Bandwidth</a>	25°C		28		MHz
BW	-3dB Bandwidth (TMUX7209)	$R_L = 50\ \Omega$ , $C_L = 5\text{ pF}$ $V_S = 6\text{ V}$	25°C		55		MHz
$I_L$	Insertion loss	$R_L = 50\ \Omega$ , $C_L = 5\text{ pF}$ $V_S = 6\text{ V}$ , $f = 1\text{ MHz}$	25°C		-0.6		dB
ACPSRR	AC Power Supply Rejection Ratio	$V_{\text{PP}} = 0.62\text{ V}$ on $V_{DD}$ and $V_{SS}$ $R_L = 50\ \Omega$ , $C_L = 5\text{ pF}$ , $f = 1\text{ MHz}$	25°C		-74		dB
THD+N	Total Harmonic Distortion + Noise	$V_{\text{PP}} = 6\text{ V}$ , $V_{\text{BIAS}} = 6\text{ V}$ $R_L = 10\text{ k}\Omega$ , $C_L = 5\text{ pF}$ , $f = 20\text{ Hz}$ to 20 kHz Refer to <a href="#">THD + Noise</a>	25°C		0.0007		%
$C_{\text{S(OFF)}}$	Source off capacitance	$V_S = 6\text{ V}$ , $f = 1\text{ MHz}$	25°C		17		pF
$C_{\text{D(OFF)}}$	Drain off capacitance (TMUX7208)	$V_S = 6\text{ V}$ , $f = 1\text{ MHz}$	25°C		155		pF
$C_{\text{D(OFF)}}$	Drain off capacitance (TMUX7209)	$V_S = 6\text{ V}$ , $f = 1\text{ MHz}$	25°C		78		pF
$C_{\text{S(ON)}}$ , $C_{\text{D(ON)}}$	On capacitance (TMUX7208)	$V_S = 6\text{ V}$ , $f = 1\text{ MHz}$	25°C		200		pF
$C_{\text{S(ON)}}$ , $C_{\text{D(ON)}}$	On capacitance (TMUX7209)	$V_S = 6\text{ V}$ , $f = 1\text{ MHz}$	25°C		122		pF

TMUX7208, TMUX7209

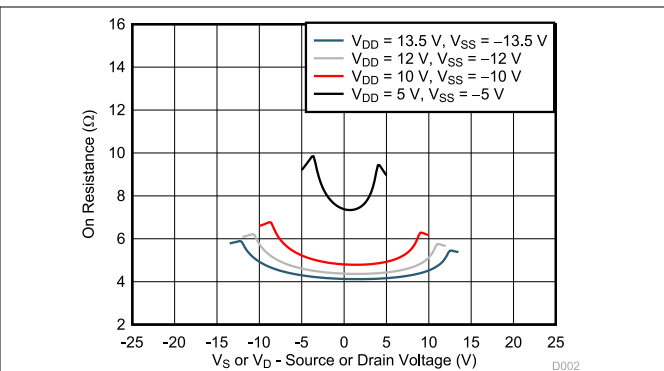
JAJSJ9F – JULY 2020 – REVISED JULY 2024

6.14 Typical Characteristics

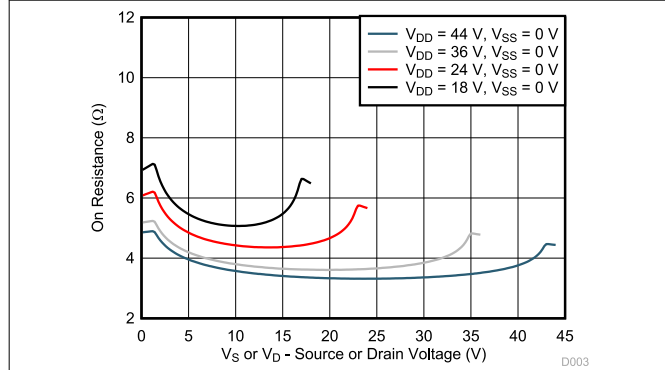
at  $T_A = 25^\circ\text{C}$  (unless otherwise noted)



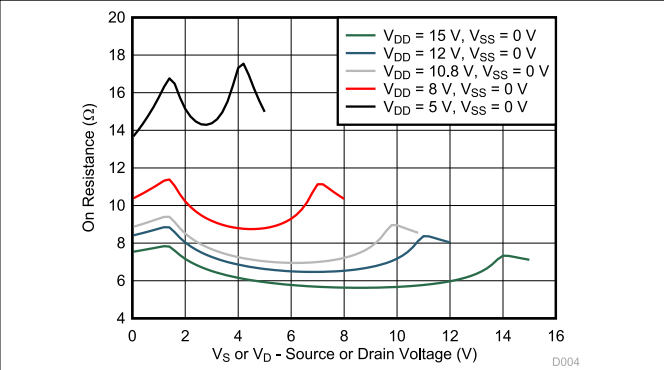
6-1. On-Resistance vs Source or Drain Voltage – Dual Supply



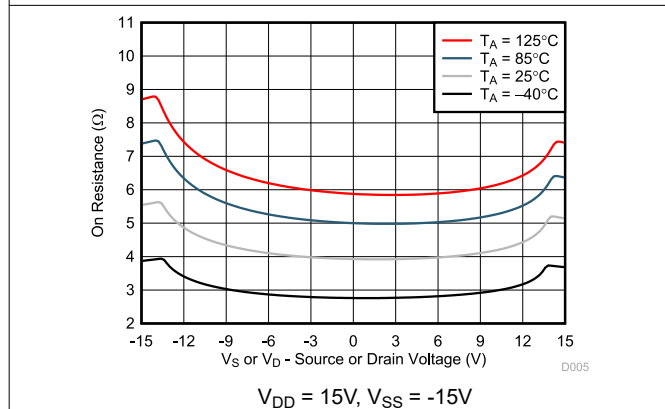
6-2. On-Resistance vs Source or Drain Voltage – Dual Supply



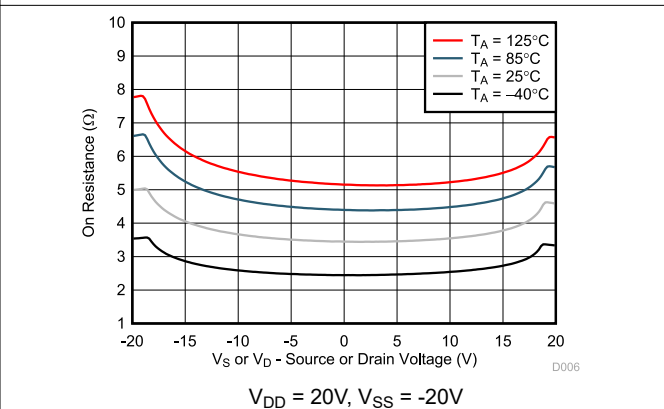
6-3. On-Resistance vs Source or Drain Voltage – Single Supply



6-4. On-Resistance vs Source or Drain Voltage – Single Supply



6-5. On-Resistance vs Temperature



6-6. On-Resistance vs Temperature

### 6.14 Typical Characteristics (continued)

at  $T_A = 25^\circ\text{C}$  (unless otherwise noted)

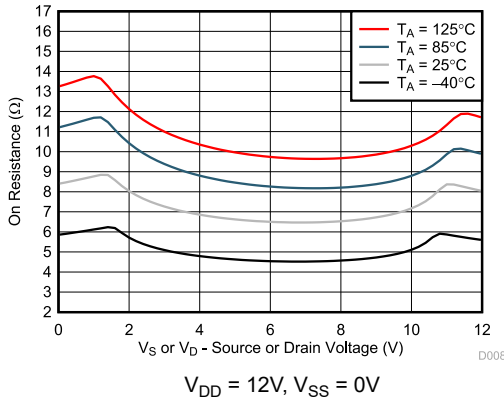


图 6-7. On-Resistance vs Temperature

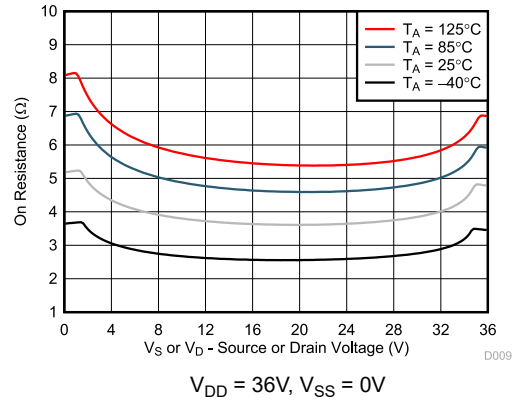


图 6-8. On-Resistance vs Temperature

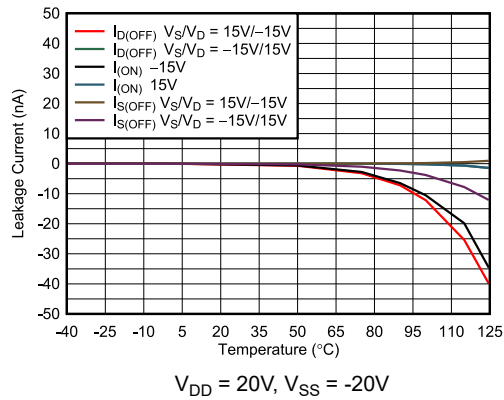


图 6-9. Leakage Current vs Temperature

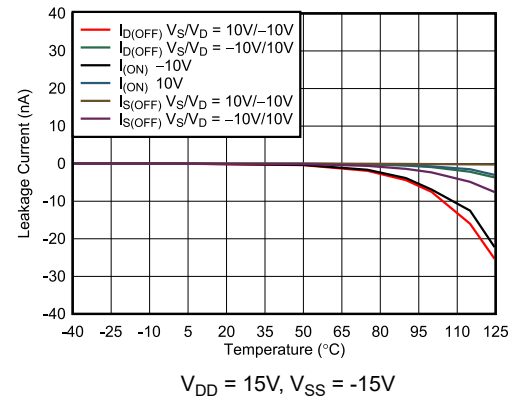


图 6-10. Leakage Current vs Temperature

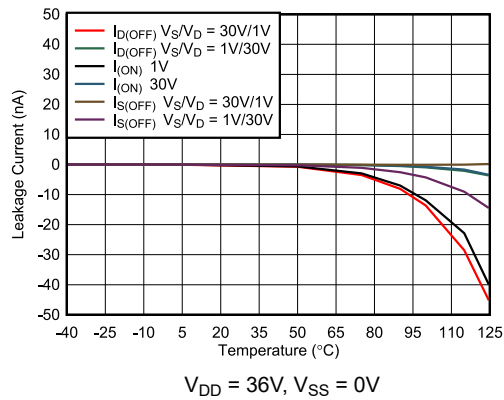


图 6-11. Leakage Current vs Temperature

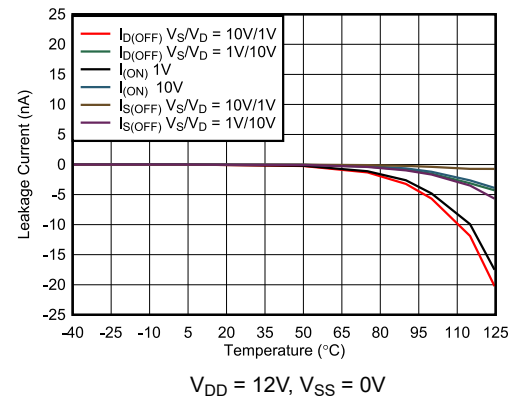
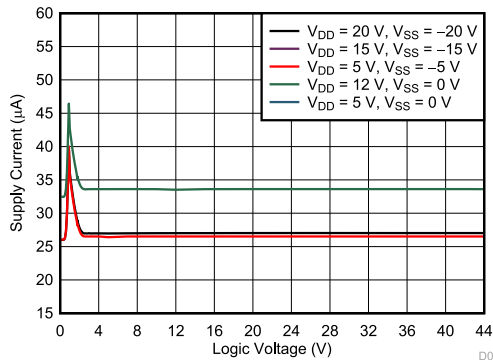


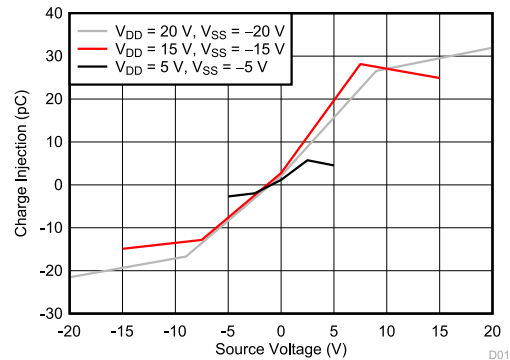
图 6-12. Leakage Current vs Temperature

## 6.14 Typical Characteristics (continued)

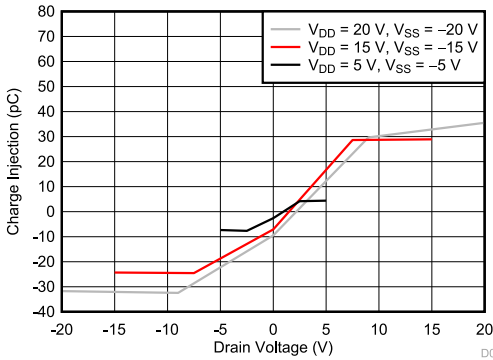
at  $T_A = 25^\circ\text{C}$  (unless otherwise noted)



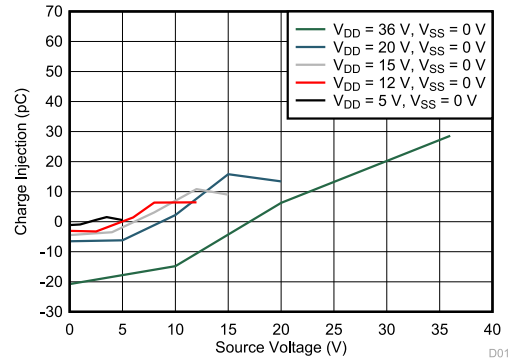
6-13. Supply Current vs Logic Voltage



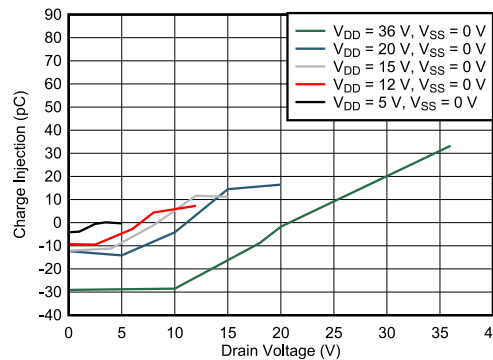
6-14. Charge Injection vs Source Voltage – Dual Supply



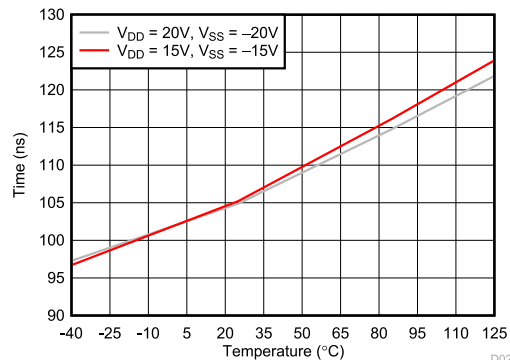
6-15. Charge Injection vs Drain Voltage – Dual Supply



6-16. Charge Injection vs Source Voltage – Single Supply



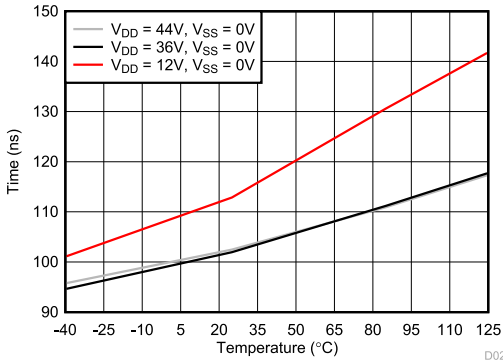
6-17. Charge Injection vs Drain Voltage – Single Supply



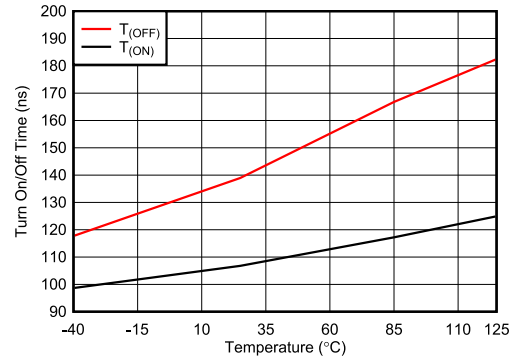
6-18.  $T_{\text{TRANSITION}}$  vs Temperature

## 6.14 Typical Characteristics (continued)

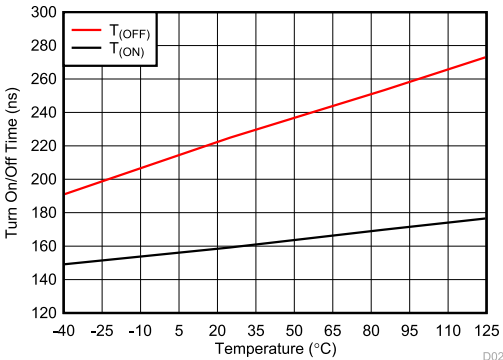
at  $T_A = 25^\circ\text{C}$  (unless otherwise noted)



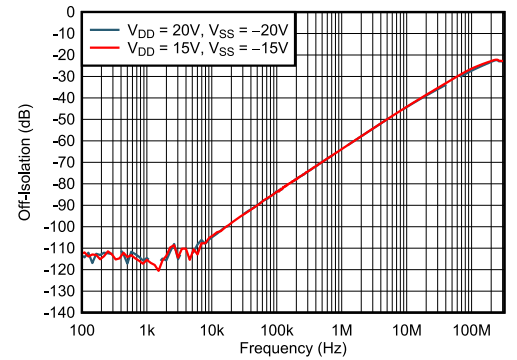
6-19.  $T_{\text{TRANSITION}}$  vs Temperature



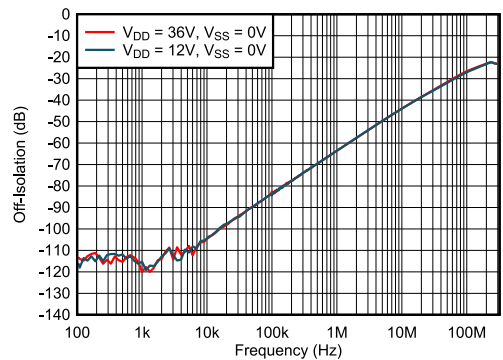
6-20.  $T_{\text{ON}}$  and  $T_{\text{OFF}}$  vs Temperature  
 $V_{\text{DD}} = 15\text{V}$ ,  $V_{\text{SS}} = -15\text{V}$



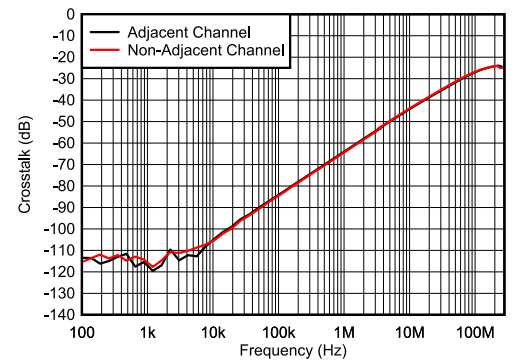
6-21.  $T_{\text{ON}}$  and  $T_{\text{OFF}}$  vs Temperature  
 $V_{\text{DD}} = 44\text{V}$ ,  $V_{\text{SS}} = 0\text{V}$



6-22. Off-Isolation vs Frequency



6-23. Off-Isolation vs Frequency



6-24. Crosstalk vs Frequency  
 $V_{\text{DD}} = 15\text{V}$ ,  $V_{\text{SS}} = -15\text{V}$

## 6.14 Typical Characteristics (continued)

at  $T_A = 25^\circ\text{C}$  (unless otherwise noted)

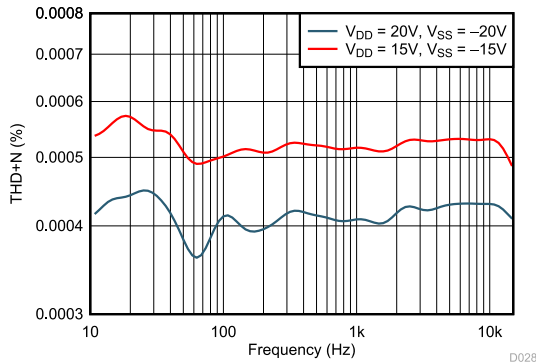


Figure 6-25. THD+N vs Frequency (Dual Supply)

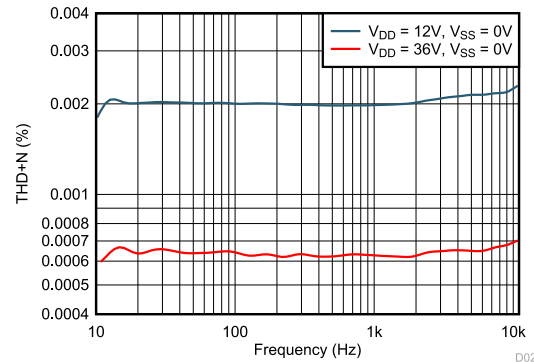
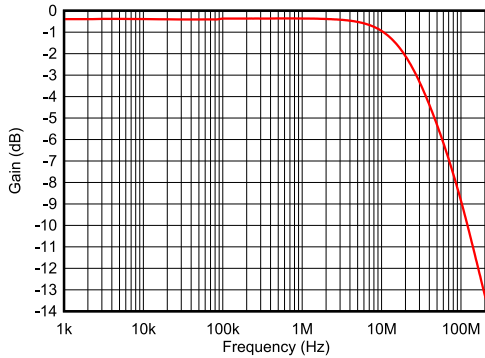
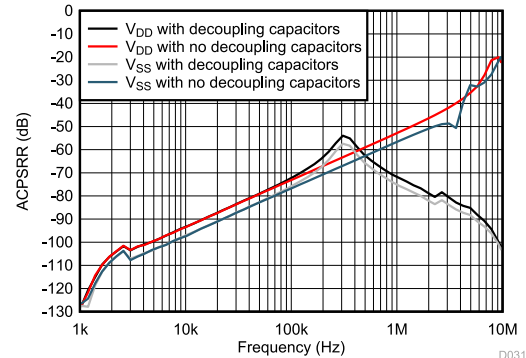


Figure 6-26. THD+N vs Frequency (Single Supply)



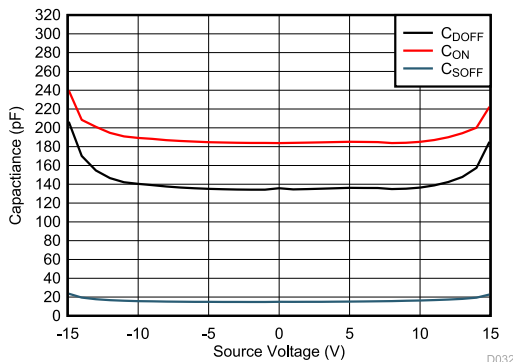
$V_{DD} = 15\text{V}, V_{SS} = -15\text{V}$

Figure 6-27. On Response vs Frequency



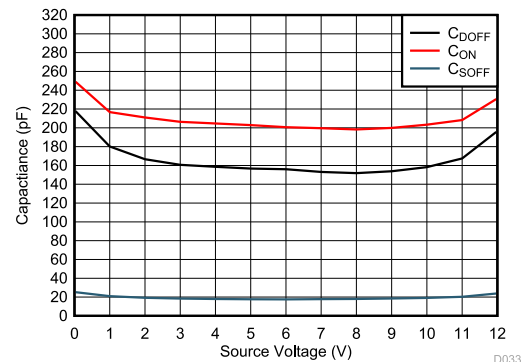
$V_{DD} = +15\text{V}, V_{SS} = -15\text{V}$

Figure 6-28. ACPSRR vs Frequency



$V_{DD} = +15\text{V}, V_{SS} = -15\text{V}$

Figure 6-29. Capacitance vs Source Voltage or Drain Voltage

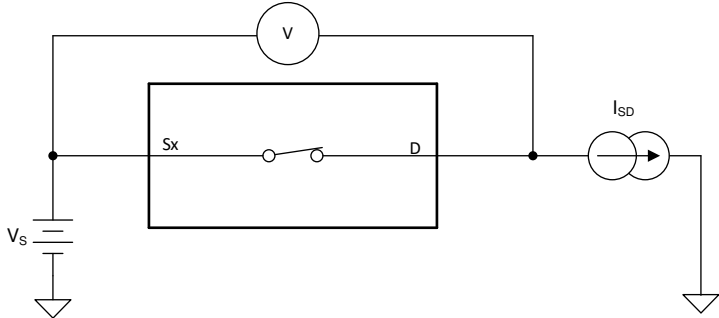


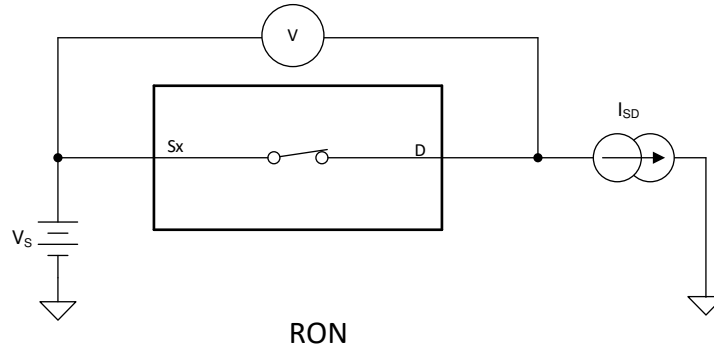
$V_{DD} = 12\text{V}, V_{SS} = 0\text{V}$

Figure 6-30. Capacitance vs Source Voltage or Drain Voltage

## 7 Parameter Measurement Information

### 7.1 On-Resistance

The on-resistance of a device is the ohmic resistance between the source (Sx) and drain (D) pins of the device. The on-resistance varies with input voltage and supply voltage. The symbol  $R_{ON}$  is used to denote on-resistance.  shows the measurement setup used to measure  $R_{ON}$ . Voltage (V) and current ( $I_{SD}$ ) are measured using this setup, and  $R_{ON}$  is computed with  $R_{ON} = V / I_{SD}$ .



 7-1. On-Resistance Measurement Setup


### 7.2 Off-Leakage Current

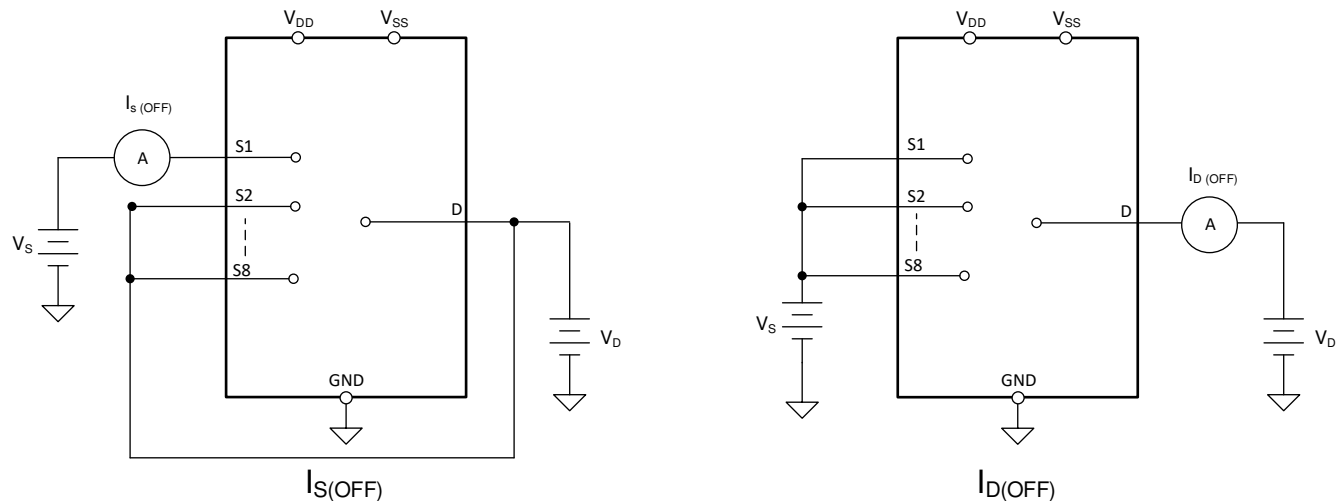
There are two types of leakage currents associated with a switch during the off state:

- Source off-leakage current
- Drain off-leakage current

Source leakage current is defined as the leakage current flowing into or out of the source pin when the switch is off. This current is denoted by the symbol  $I_{S(OFF)}$ .

Drain leakage current is defined as the leakage current flowing into or out of the drain pin when the switch is off. This current is denoted by the symbol  $I_{D(OFF)}$ .

 7-2 shows the setup used to measure both off-leakage currents.

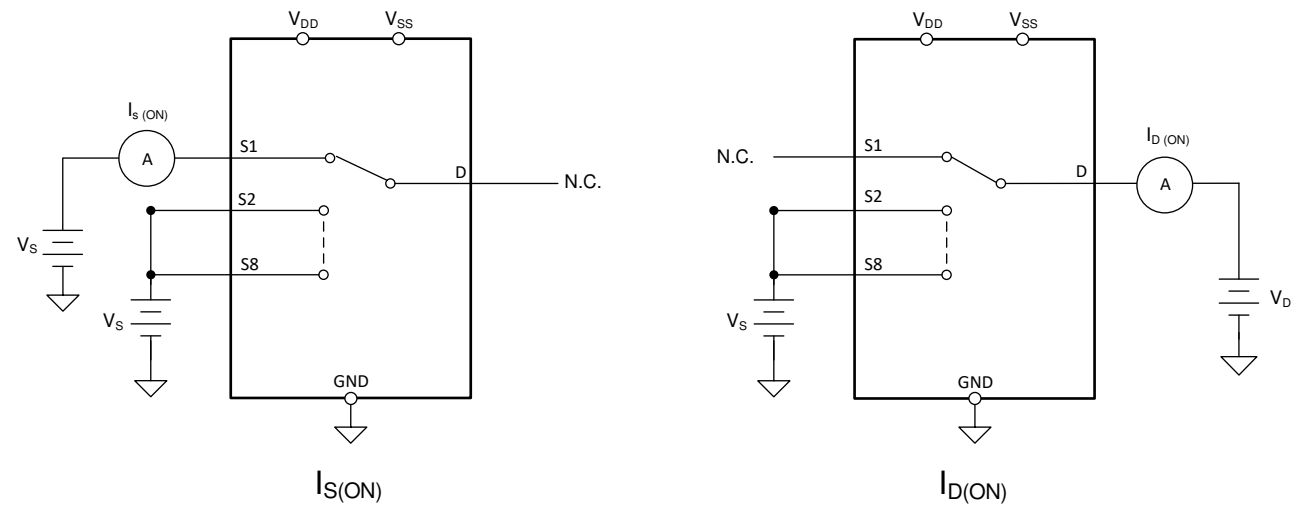


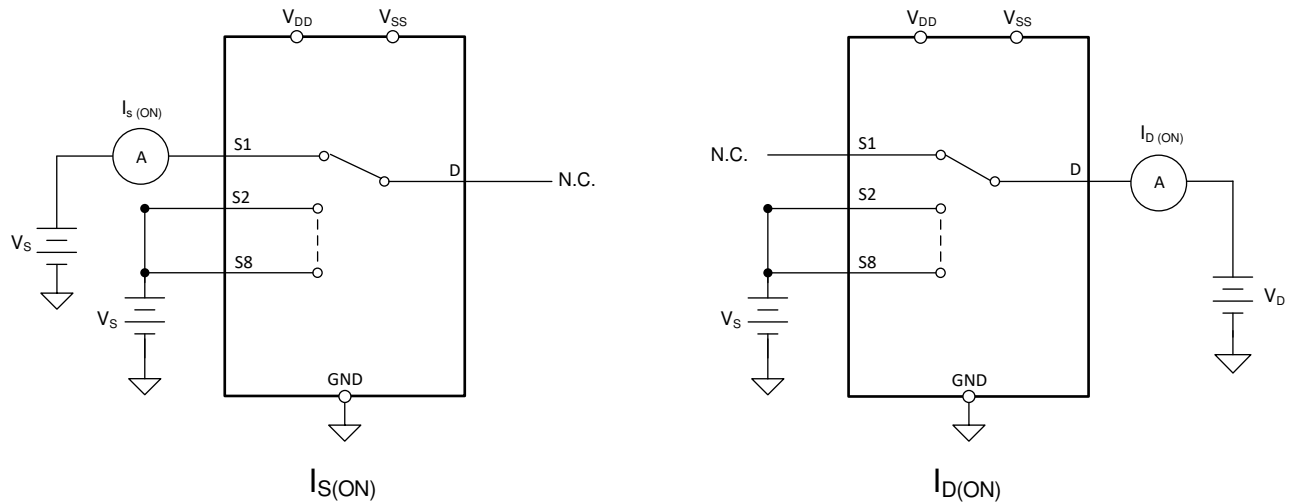
 7-2. Off-Leakage Measurement Setup

### 7.3 On-Leakage Current

Source on-leakage current is defined as the leakage current flowing into or out of the source pin when the switch is on. This current is denoted by the symbol  $I_{S(ON)}$ .

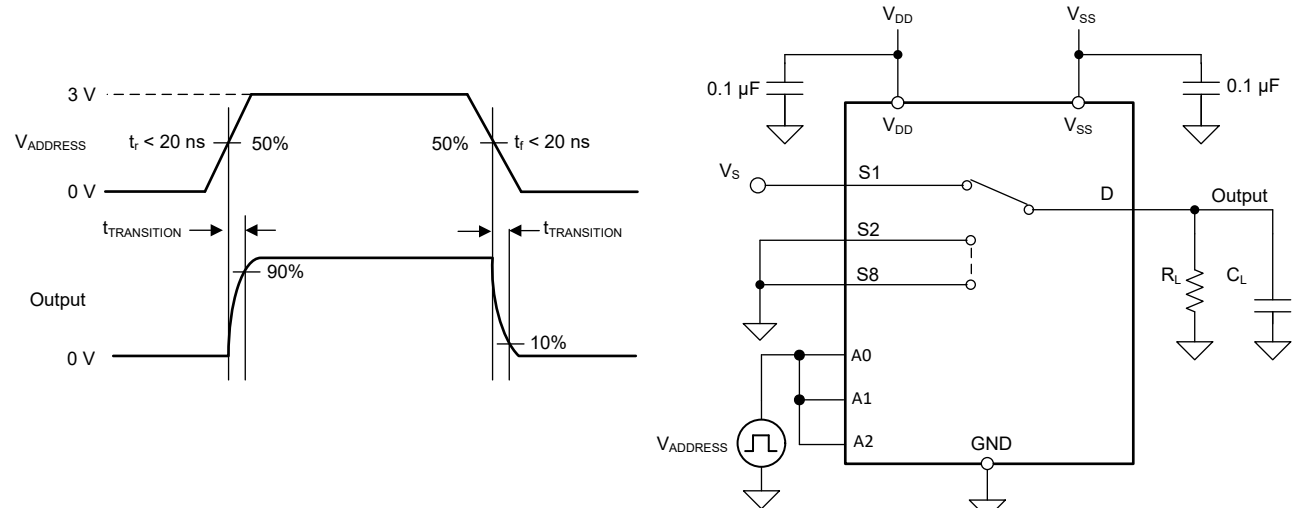
Drain on-leakage current is defined as the leakage current flowing into or out of the drain pin when the switch is on. This current is denoted by the symbol  $I_{D(ON)}$ .

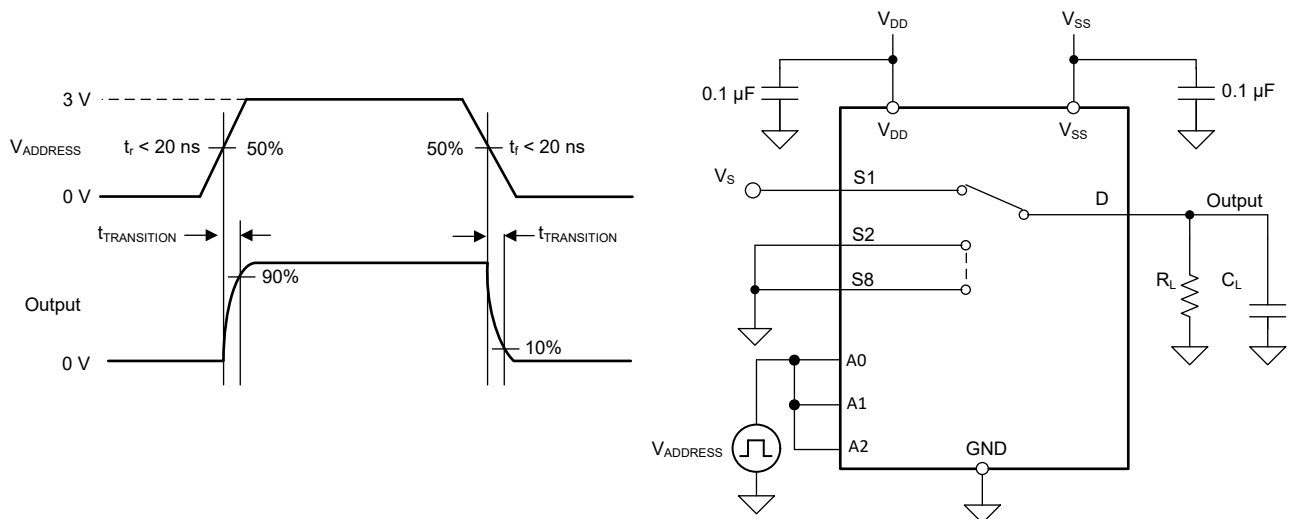
Either the source pin or drain pin is left floating during the measurement.  7-3 shows the circuit used for measuring the on-leakage current, denoted by  $I_{S(ON)}$  or  $I_{D(ON)}$ .



 7-3. On-Leakage Measurement Setup

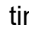
### 7.4 Transition Time

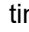
Transition time is defined as the time taken by the output of the device to rise or fall 90% after the address signal has risen or fallen past the logic threshold. The 90% transition measurement is utilized to provide the timing of the device. System level timing can then account for the time constant added from the load resistance and load capacitance.  7-4 shows the setup used to measure transition time, denoted by the symbol  $t_{TRANSITION}$ .

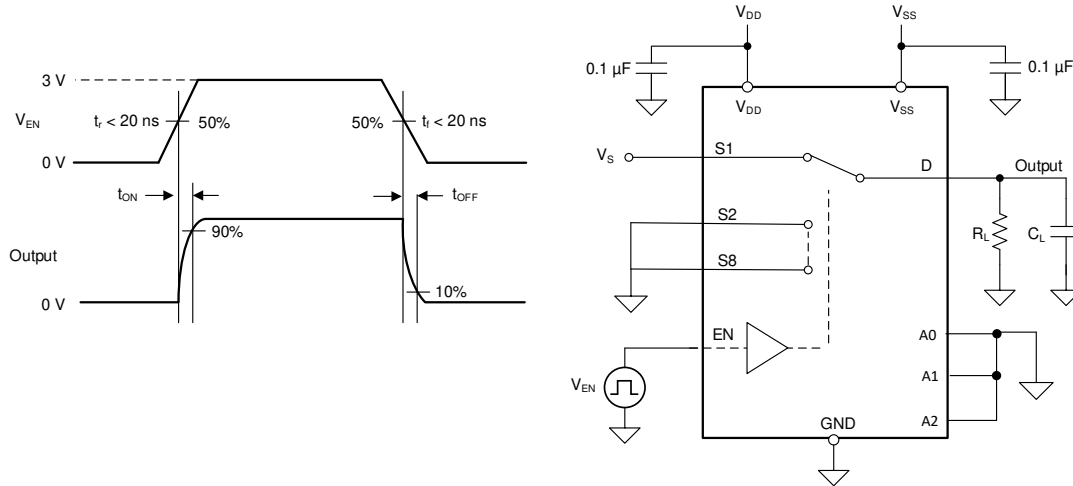


 7-4. Transition-Time Measurement Setup

### 7.5 $t_{ON(EN)}$ and $t_{OFF(EN)}$


Turn-on time is defined as the time taken by the output of the device to rise to 90% after the enable has risen past the logic threshold. The 90% measurement is utilized to provide the timing of the device. System level timing can then account for the time constant added from the load resistance and load capacitance.  7-5 shows the setup used to measure turn-on time, denoted by the symbol  $t_{ON(EN)}$ .

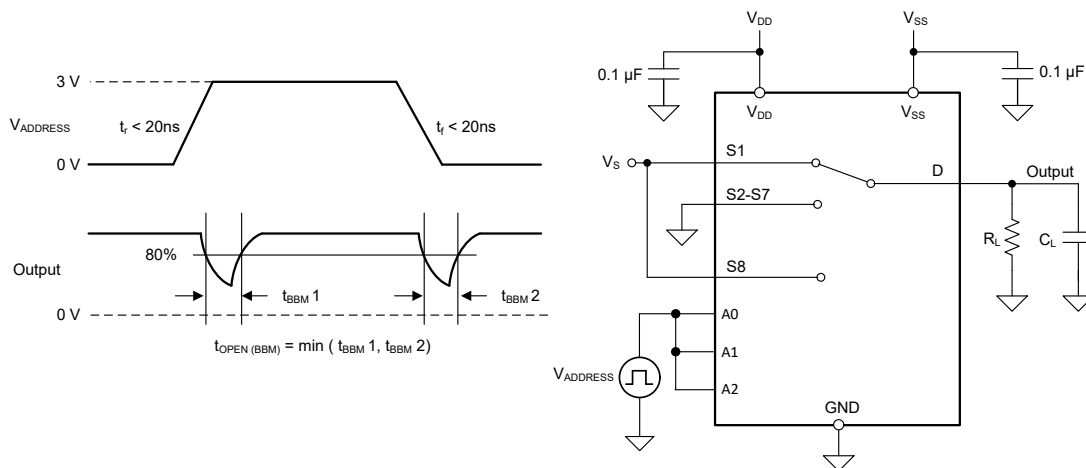
Turn-off time is defined as the time taken by the output of the device to fall to 10% after the enable has fallen past the logic threshold. The 10% measurement is utilized to provide the timing of the device. System level timing can then account for the time constant added from the load resistance and load capacitance.  7-5 shows the setup used to measure turn-off time, denoted by the symbol  $t_{OFF(EN)}$ .



 7-5. Turn-On and Turn-Off Time Measurement Setup


### 7.6 Break-Before-Make

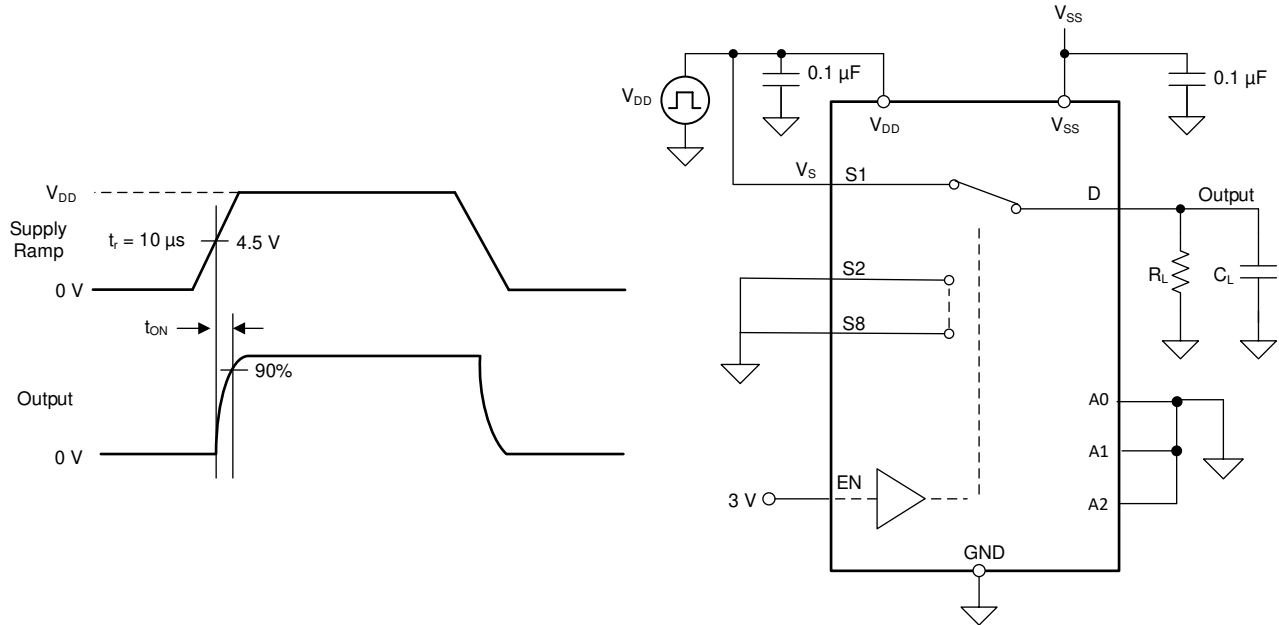
Break-before-make delay is a safety feature that prevents two inputs from connecting when the device is switching. The output first breaks from the on-state switch before making the connection with the next on-state switch. The time delay between the *break* and the *make* is known as break-before-make delay.  7-6 shows the setup used to measure break-before-make delay, denoted by the symbol  $t_{OPEN(BBM)}$ .



 7-6. Break-Before-Make Delay Measurement Setup

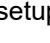
### 7.7 $t_{ON}(V_{DD})$ Time

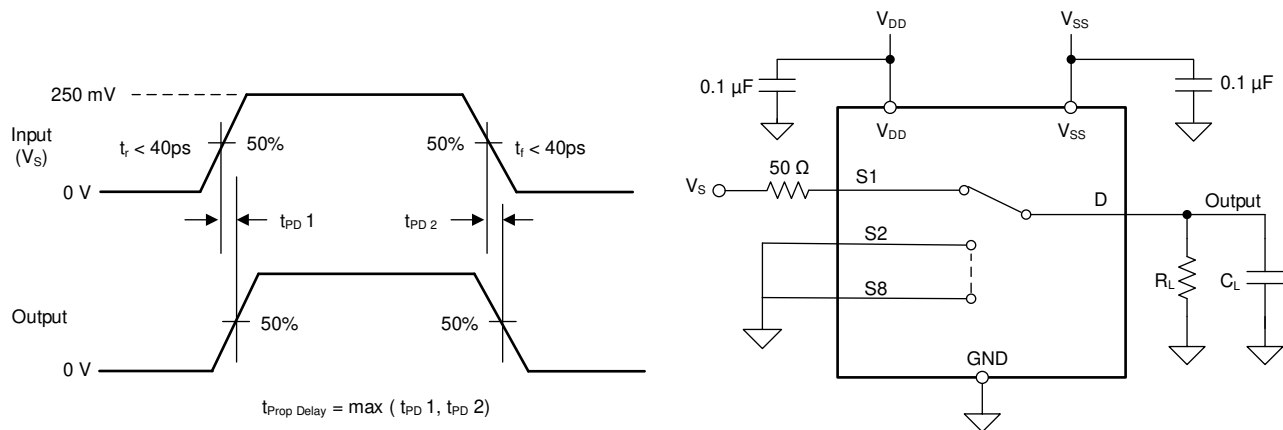
The  $t_{ON}(V_{DD})$  time is defined as the time taken by the output of the device to rise to 90% after the supply has risen past the supply threshold. The 90% measurement is used to provide the timing of the device turning on in the system.  shows the setup used to measure turn on time, denoted by the symbol  $t_{ON}(V_{DD})$ .



 7-7.  $t_{ON}(V_{DD})$  Time Measurement Setup

### 7.8 Propagation Delay

Propagation delay is defined as the time taken by the output of the device to rise or fall 50% after the input signal has risen or fallen past the 50% threshold.  shows the setup used to measure propagation delay, denoted by the symbol  $t_{PD}$ .

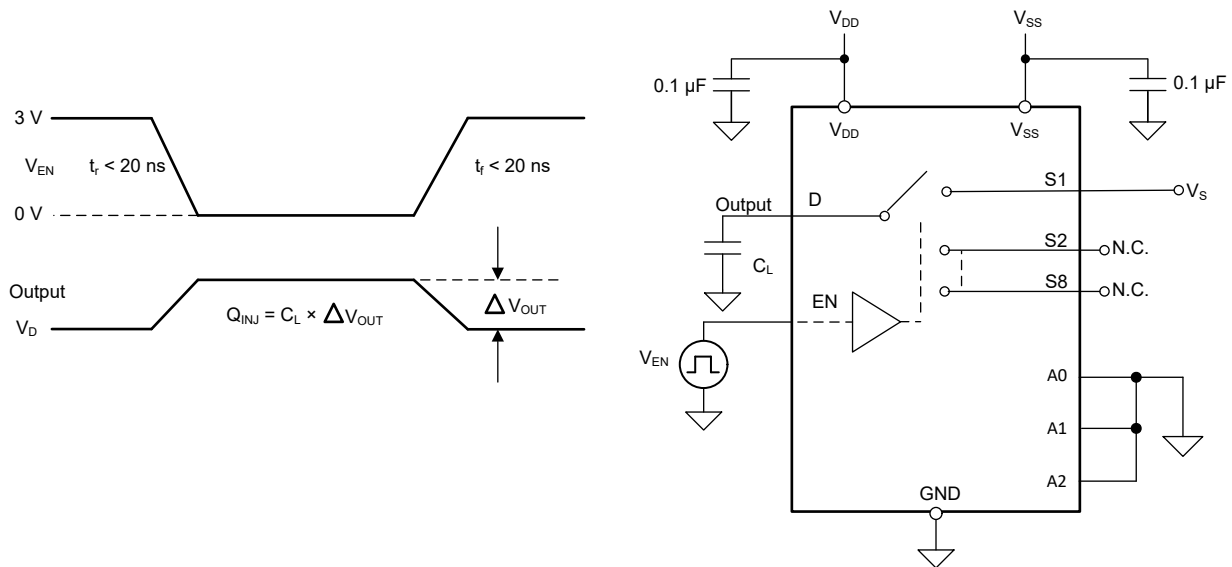


 7-8. Propagation Delay Measurement Setup

## 7.9 Charge Injection

The TMUX7208 has a transmission-gate topology. Any mismatch in capacitance between the NMOS and PMOS transistors results in a charge injected into the drain or source during the falling or rising edge of the gate signal. The amount of charge injected into the source or drain of the device is known as charge injection, and is denoted by the symbol  $Q_{INJ}$ . [Figure 7-9](#) shows the setup used to measure charge injection from source (Sx) to drain (D).

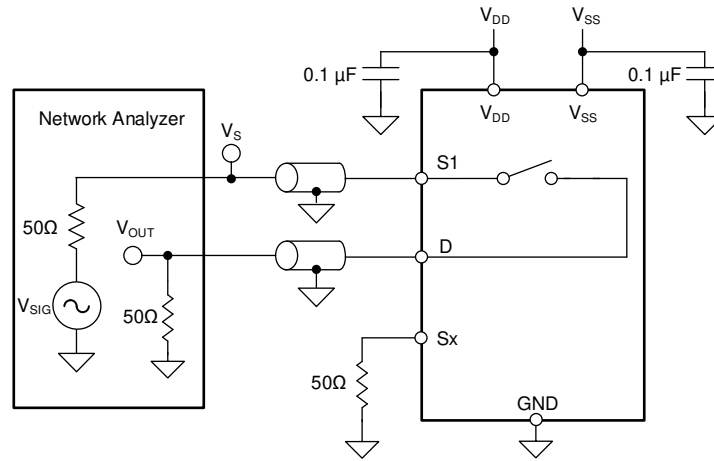
The TMUX7208 and have a transmission-gate topology. Any mismatch in capacitance between the NMOS and PMOS transistors results in a charge injected into the drain or source during the falling or rising edge of the gate signal. The amount of charge injected into the source or drain of the device is known as charge injection, and is denoted by the symbol  $Q_{INJ}$ . [Figure 7-9](#) shows the setup used to measure charge injection from source (Sx) to drain (D).



**Figure 7-9. Charge-Injection Measurement Setup**

## 7.10 Off Isolation

Off isolation is defined as the ratio of the signal at the drain pin (D) of the device when a signal is applied to the source pin (Sx) of an off-channel. [Figure 7-10](#) shows the setup used to measure, and the equation used to calculate off isolation.

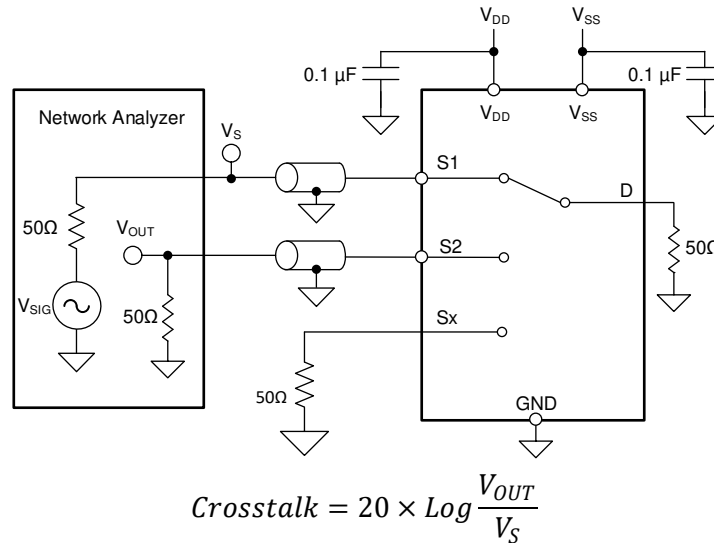


$$\text{Off Isolation} = 20 \times \text{Log} \frac{V_{OUT}}{V_S}$$

**7-10. Off Isolation Measurement Setup**

## 7.11 Crosstalk

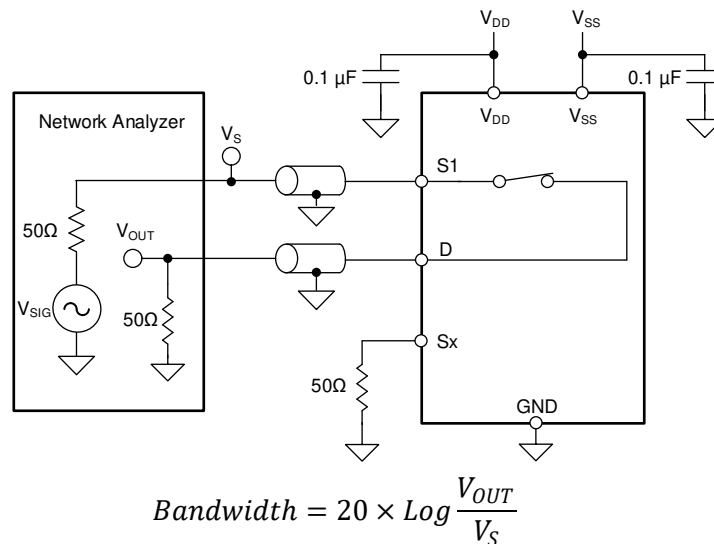
Crosstalk is defined as the ratio of the signal at the drain pin (D) of a different channel, when a signal is applied at the source pin (Sx) of an on-channel. [Figure 7-11](#) shows the setup used to measure and the equation used to calculate crosstalk.



**Figure 7-11. Crosstalk Measurement Setup**

## 7.12 Bandwidth

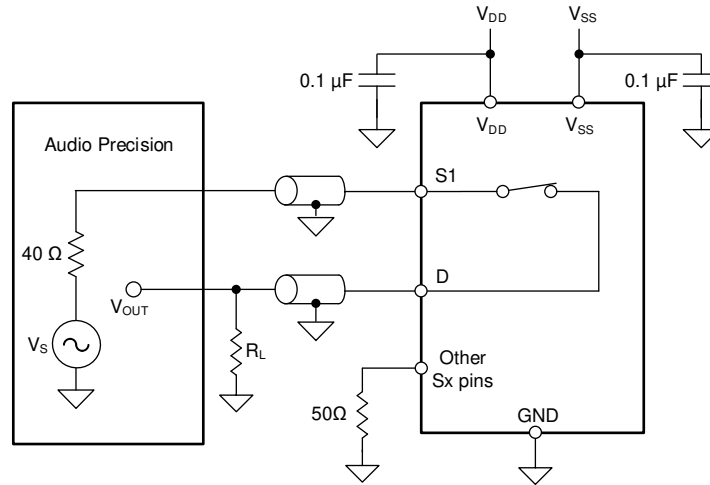
Bandwidth is defined as the range of frequencies that are attenuated by less than 3 dB when the input is applied to the source pin (Sx) of an on-channel, and the output is measured at the drain pin (D) of the device. [Figure 7-12](#) shows the setup used to measure bandwidth.



**Figure 7-12. Bandwidth Measurement Setup**

### 7.13 THD + Noise

The total harmonic distortion (THD) of a signal is a measurement of the harmonic distortion, and is defined as the ratio of the sum of the powers of all harmonic components to the power of the fundamental frequency at the mux output. The on-resistance of the device varies with the amplitude of the input signal and results in distortion when the drain pin is connected to a low-impedance load. Total harmonic distortion plus noise is denoted as THD.

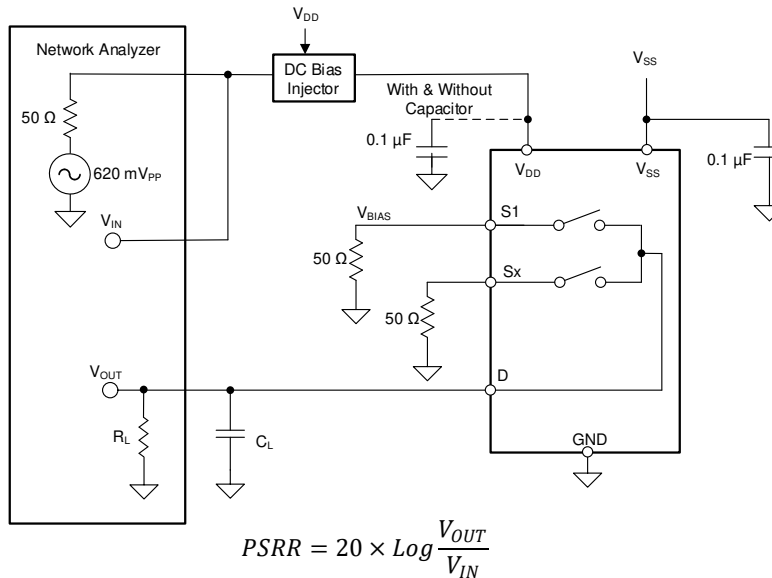


7-13. THD Measurement Setup

### 7.14 Power Supply Rejection Ratio (PSRR)

PSRR measures the ability of a device to prevent noise and spurious signals that appear on the supply voltage pin from coupling to the output of the switch. The DC voltage on the device supply is modulated by a sine wave of 620mVPP. The ratio of the amplitude of signal on the output to the amplitude of the modulated signal is the ACPSRR. A high ratio represents a high degree of tolerance to supply rail variation.

The below shows how the decoupling capacitors reduce high frequency noise on the supply pins. This helps stabilize the supply and immediately filter as much of the supply noise as possible.



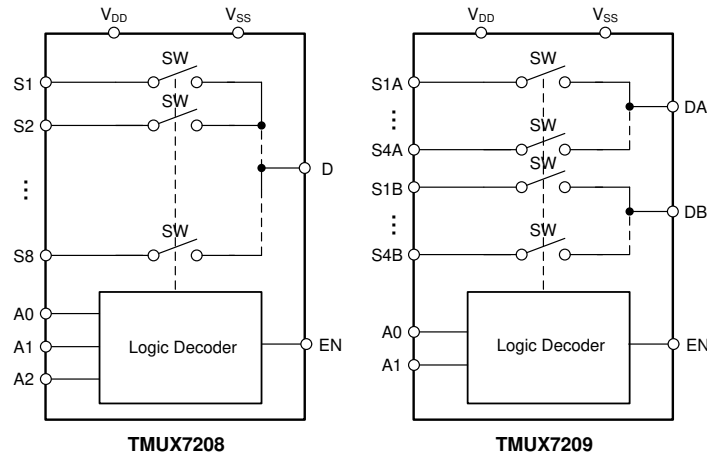
7-14. ACPSRR Measurement Setup

## 8 Detailed Description

### 8.1 Overview

The TMUX7208 is an 8:1, 1-channel multiplexer and the TMUX7209 is a 4:1, 2 channel multiplexer. Each channel is turned on or turned off based on the state of the address lines and enable pin.

### 8.2 Functional Block Diagram



### 8.3 Feature Description

#### 8.3.1 Bidirectional Operation

The TMUX7208 and TMUX7209 conduct equally well from source ( $S_x$ ) to drain (D) or from drain (D) to source ( $S_x$ ). Each channel has similar characteristics in both directions and supports both analog and digital signals.

#### 8.3.2 Rail-to-Rail Operation

The valid signal path input or output voltage for TMUX7208 and TMUX7209 ranges from  $V_{SS}$  to  $V_{DD}$ .

#### 8.3.3 1.8V Logic Compatible Inputs

TMUX7208 and TMUX7209 have 1.8-V logic compatible control for all logic control inputs. 1.8-V logic level inputs allows the to interface with processors that have lower logic I/O rails and eliminates the need for an external translator, which saves both space and BOM cost. For more information on 1.8V logic implementations refer to [Simplifying Design with 1.8V logic Muxes and Switches](#).

#### 8.3.4 Integrated Pull-Down Resistor on Logic Pins

The TMUX720x has internal weak pull-down resistors to GND to ensure the logic pins are not left floating. The value of this pull-down resistor is approximately  $4M\Omega$ , but is clamped to about  $1\mu A$  at higher voltages. This feature integrates up to four external components and reduces system size and cost.

#### 8.3.5 Fail-Safe Logic

TMUX7208 and TMUX7209 support Fail-Safe Logic on the control input pins (EN and  $A_x$ ) allowing it to operate up to 44V, regardless of the state of the supply pins. This feature allows voltages on the control pins to be applied before the supply pin, protecting the device from potential damage. Fail-Safe Logic minimizes system complexity by removing the need for power supply sequencing on the logic control pins. For example, the Fail-Safe Logic feature allows the TMUX7208 and TMUX7209 logic input pins to ramp up to +44V while  $V_{DD}$  and  $V_{SS} = 0V$ . The logic control inputs are protected against positive faults of up to +44V in powered-off condition, but do not offer protection against negative overvoltage conditions.

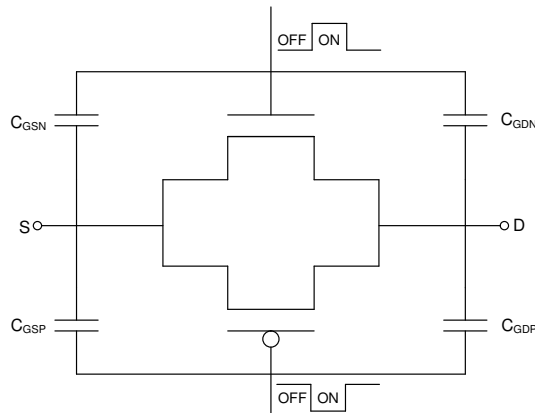
### 8.3.6 Latch-Up Immune

Latch-Up is a condition where a low impedance path is created between a supply pin and ground. This condition is caused by a trigger (current injection or overvoltage), but once activated, the low impedance path remains even after the trigger is no longer present. This low impedance path may cause system upset or catastrophic damage due to excessive current levels. The Latch-Up condition typically requires a power cycle to eliminate the low impedance path.

The TMUX720x family of devices are constructed on Silicon on Insulator (SOI) based process where an oxide layer is added between the PMOS and NMOS transistor of each CMOS switch to prevent parasitic structures from forming. The oxide layer is also known as an insulating trench and prevents triggering of latch up events due to overvoltage or current injections. The latch-up immunity feature allows the TMUX720x family of switches and multiplexers to be used in harsh environments. For more information on latch-up immunity refer to [Using Latch Up Immune Multiplexers to Help Improve System Reliability](#).

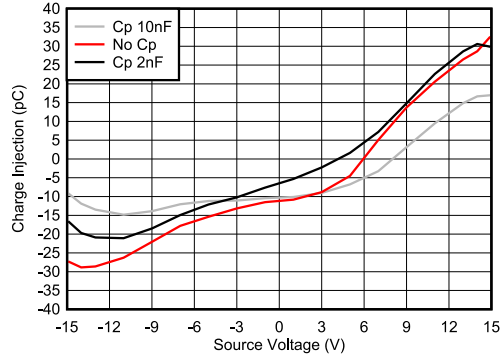
### 8.3.7 Ultra-Low Charge Injection

The TMUX7208 and TMUX7209 have a transmission gate topology, as shown in [Figure 8-1](#). Any mismatch in the stray capacitance associated with the NMOS and PMOS causes an output level change whenever the switch is opened or closed.



**Figure 8-1. Transmission Gate Topology**

The TMUX720x contains specialized architecture to reduce charge injection on the Drain (D). To further reduce charge injection in a sensitive application, a compensation capacitor ( $C_p$ ) can be added on the Source (Sx). This will ensure that excess charge from the switch transition will be pushed into the compensation capacitor on the Source (Sx) instead of the Drain (D). As a general rule of thumb,  $C_p$  should be 20x larger than the equivalent load capacitance on the Drain (D). [Figure 8-2](#) shows charge injection variation with different compensation capacitors on the Source side. This plot was captured on the TMUX7219 as part of the TMUX720x family with a 100pF load capacitance.



**8-2. Charge Injection Compensation**

## 8.4 Device Functional Modes

When the EN pin of the TMUX7208 is pulled high, one of the switches is closed based on the state of the Ax pin. Similarly, when the EN pin of the TMUX7209 is pulled high, two of the switches are closed based on the state of the address lines. When the EN pin is pulled low, all of the switches are in an open state regardless of the state of the Ax pin. The control pins can be as high as 44V.

The TMUX7208 and TMUX7209 can be operated without any external components except for the supply decoupling capacitors. The EN and Ax pins have internal pull-down resistors of 4MΩ. If unused, Ax and EN pins must be tied to GND in order to ensure the device does not consume additional current as highlighted in [Implications of Slow or Floating CMOS Inputs](#). Unused signal path inputs (Sx or D) should be connected to GND.

## 8.5 Truth Tables

表 8-1 shows the truth tables for the TMUX7208.

表 8-1. TMUX7208 Truth Table

EN	A2	A1	A0	Selected Source Connected To Drain (D) Pin
0	X <sup>(1)</sup>	X	X	All sources are off (HI-Z)
1	0	0	0	S1
1	0	0	1	S2
1	0	1	0	S3
1	0	1	1	S4
1	1	0	0	S5
1	1	0	1	S6
1	1	1	0	S7
1	1	1	1	S8

(1) X denotes *do not care*.

表 8-2 show the truth tables for the TMUX7209.

表 8-2. TMUX7209 Truth Table

EN	A1	A0	Selected Source Connected To Drain (D) Pin
0	X <sup>(1)</sup>	X	All sources are off (HI-Z)
1	0	0	S1x
1	0	1	S2x
1	1	0	S3x
1	1	1	S4x

(1) X denotes *do not care*.

## 9 Application and Implementation

### 注

以下のアプリケーション情報は、TI の製品仕様に含まれるものではなく、TI ではその正確性または完全性を保証いたしません。個々の目的に対する製品の適合性については、お客様の責任で判断していただくこととなります。お客様は自身の設計実装を検証しテストすることで、システムの機能を確認する必要があります。

### 9.1 Application Information

The TMUX7208 and TMUX7209 are part of the precision switches and multiplexers family of devices. These devices operate with dual supplies ( $\pm 4.5\text{V}$  to  $\pm 22\text{V}$ ), a single supply (4.5V to 44V), or asymmetric supplies (such as  $V_{DD} = 12\text{V}$ ,  $V_{SS} = -5\text{V}$ ), and offer true rail-to-rail input and output. The TMUX7208 and TMUX7209 offer low  $R_{ON}$ , low on and off leakage currents and ultra-low charge injection performance. These features makes the TMUX720x a family of precision, robust, high-performance analog multiplexers for high-voltage, industrial applications.

### 9.2 Typical Application

One example to take advantage of performance is the implementation of multiplexed data acquisition front end for multiple input sensors. Applications such as analog input modules for programmable logic controllers (PLCs), data acquisition (DAQ), and semiconductor test systems commonly need to monitor multiple signals into a single ADC channel. The multiple inputs can come from different system voltages being monitored, or environmental sensors such as temperature or humidity. [図 9-1](#) shows a simplified example of monitoring multiple inputs into a single ADC using a multiplexer.

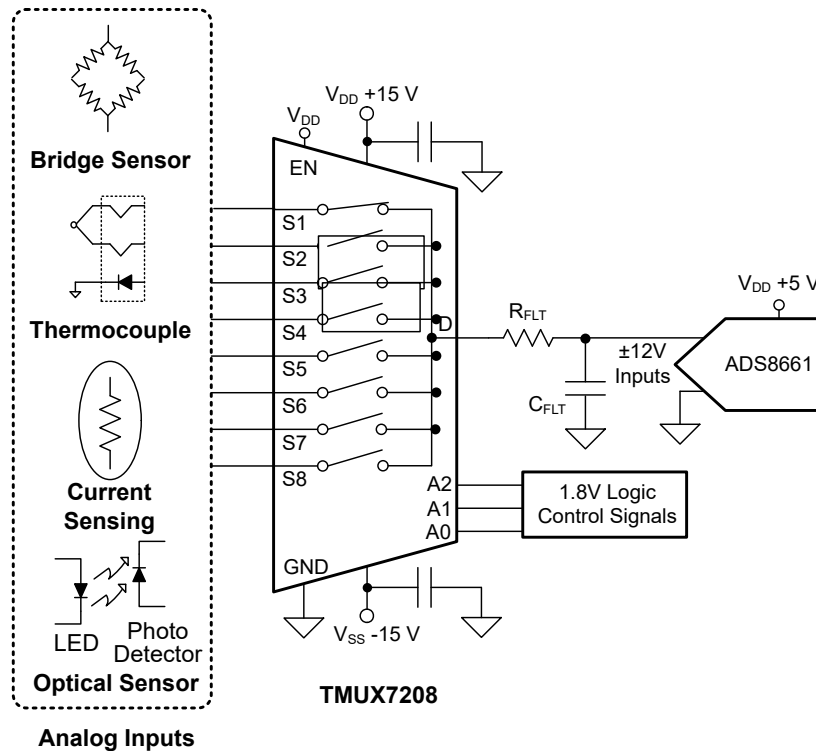


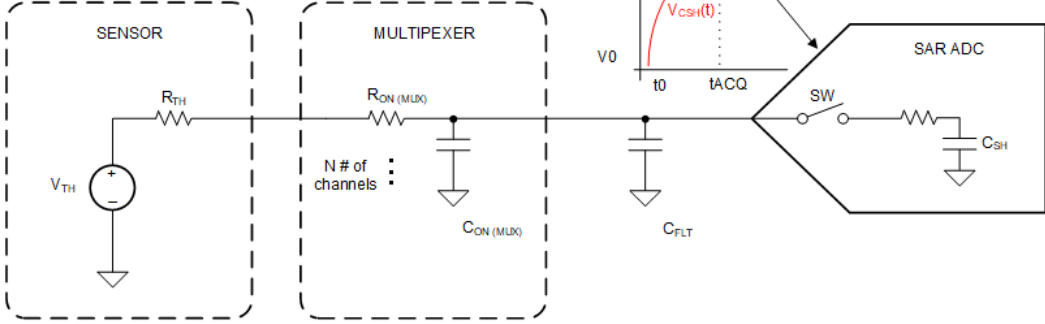
図 9-1. Multiplexed Data Acquisition Front End

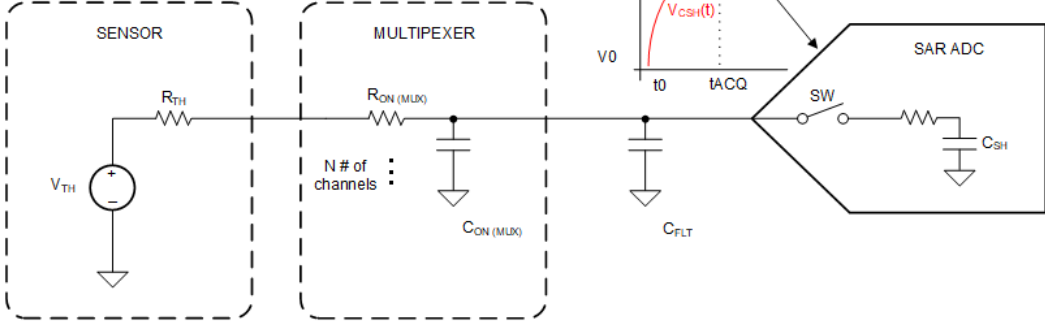
### 9.2.1 Design Requirements

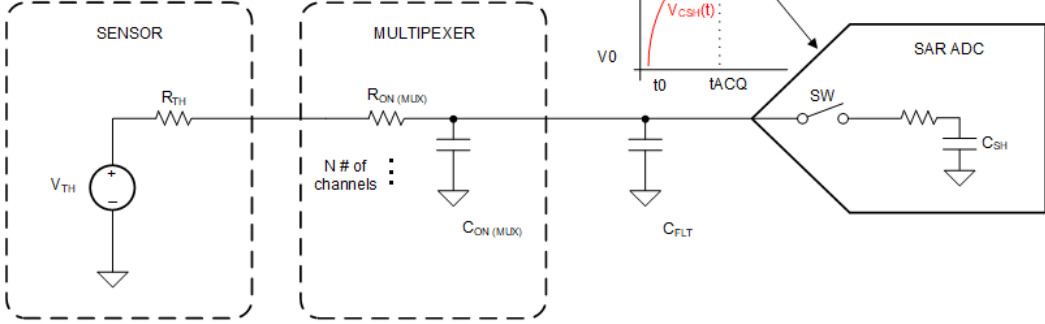
表 9-1. Design Parameters

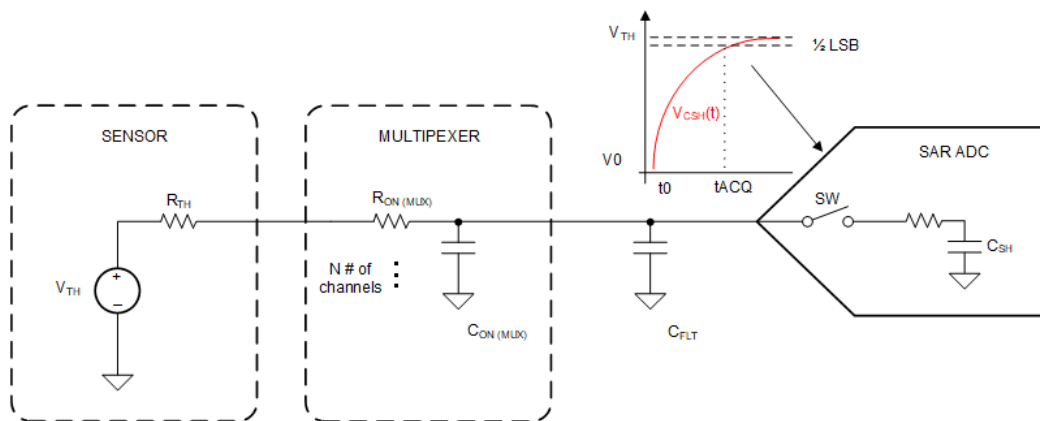
PARAMETER	VALUE
Positive supply (VDD)	+15V
Negative supply (VSS)	-15V
Input / output signal range	-12V to 12V (limit of ADC)
Control logic thresholds	1.8V compatible
Temperature range	-40°C to +125°C

### 9.2.2 Detailed Design Procedure

The application shown in  demonstrates how a multiplexer can be used to simplify the signal chain and monitor multiple input signals to a single ADC channel. In this example the ADC (ADS8661) has software programmable input ranges up to ±12.288V. The ADC also has overvoltage protection up to ±20V which allows for the multiplexer to be powered with wider supply voltages than the input signal range to maximize on resistance performance of the multiplexer, while still maintaining system level overvoltage protection beyond the useable signal range. Both the multiplexer and the ADC are capable of operation in extended industrial temperature range of -40°C to +125°C allowing for use in a wider array of industrial systems.

Many SAR ADCs have an analog input structure that consists of a sampling switch and a sampling capacitor. Many signal chains will have a driver amplifier to help charge the input of the ADC to meet a fast system acquisition time. However a driver amplifier is not always needed to drive SAR ADCs.  shows a typical diagram of a sensor driving the SAR ADC input directly after being passed through the multiplexer. A filter capacitor ( $C_{FLT}$ ) is connected to the input of the ADC to reduce the sampling charge injection and provides a charge bucket to quickly charge the internal sample-and-hold capacitor of the ADC.

The sensor block simplifies the device into a Thevenin equivalent voltage source ( $V_{TH}$ ) and resistance ( $R_{TH}$ ) which can be extracted from the device datasheets. Similarly the multiplexer can be thought of as a series resistance ( $R_{ON(MUX)}$ ) and capacitance ( $C_{ON(MUX)}$ ). To ensure maximum precision of the signal chain the system should be able to settle within 1/2 of an LSB within the acquisition time of the ADC. The time constant can be calculated as shown in . This equation highlights the importance of selecting a multiplexer with low on-resistance to further reduce the system time constant. Additionally low charge injection performance of the multiplexer is helpful to reduce conversion errors and improve accuracy of the measurements.



$$t_{ACQ} > k \times \tau_{FLT}$$

- $\tau_{FLT} = (R_{TH} + R_{ON(MUX)}) \times (C_{FLT} + C_{ON(MUX)})$
- $k$  is single pole time constant for  $N$  bit ADC

 9-2. Driving SAR ADC

### 9.2.3 Application Curve

The low on and off leakage currents of TMUX7208 and ultra-low charge injection performance make this device ideal for implementing high precision industrial systems. The TMUX7208 contains specialized architecture to reduce charge injection on the drain side (D) (see [セクション 8.3.7](#) for more details). [図 9-3](#) shows the plot for the charge injection versus source voltage for the TMUX7208.

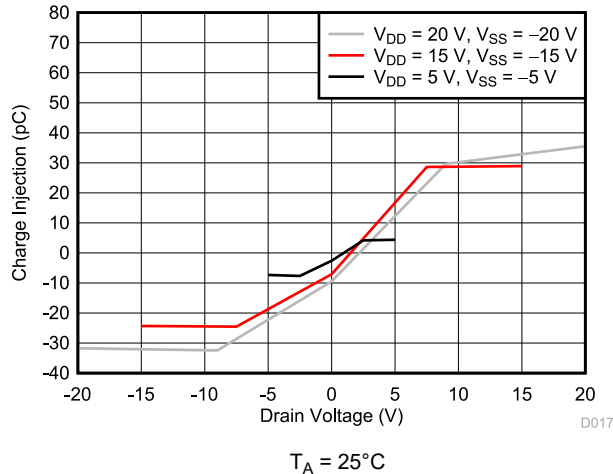


図 9-3. Charge Injection vs Drain Voltage

## 9.3 Power Supply Recommendations

The TMUX7208 and the TMUX7209 operate across a wide supply range of  $\pm 4.5\text{V}$  to  $\pm 22\text{V}$  (4.5V to 44V in single-supply mode). The device also perform well with asymmetrical supplies such as  $V_{DD} = 12\text{V}$  and  $V_{SS} = -5\text{V}$ .

Power-supply bypassing improves noise margin and prevents switching noise propagation from the supply rails to other components. Good power-supply decoupling is important to achieve optimum performance. For improved supply noise immunity, use a supply decoupling capacitor ranging from 0.1 $\mu\text{F}$  to 10 $\mu\text{F}$  at the  $V_{DD}$  and  $V_{SS}$  pins to ground. Place the bypass capacitors as close to the power supply pins of the device as possible using low-impedance connections. TI recommends using multi-layer ceramic chip capacitors (MLCCs) that offer low equivalent series resistance (ESR) and inductance (ESL) characteristics for power-supply decoupling purposes. For very sensitive systems, or for systems in harsh noise environments, avoiding the use of vias for connecting the capacitors to the device pins may offer superior noise immunity. The use of multiple vias in parallel lowers the overall inductance and is beneficial for connections to ground and power planes. Always ensure the ground (GND) connection is established before supplies are ramped.

## 9.4 Layout

### 9.4.1 Layout Guidelines

A reflection can occur when a PCB trace turns a corner at a 90° angle. A reflection occurs primarily because of the change of width of the trace. The trace width increases to 1.414 times the width at the apex of the turn. This increase upsets the transmission-line characteristics, especially the distributed capacitance and self-inductance of the trace which results in the reflection. Not all PCB traces can be straight and therefore some traces must turn corners. [図 9-4](#) shows progressively better techniques of rounding corners. Only the last example (BEST) maintains constant trace width and minimizes reflections.

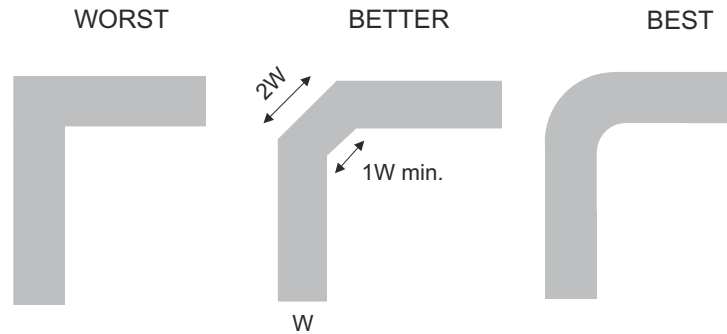


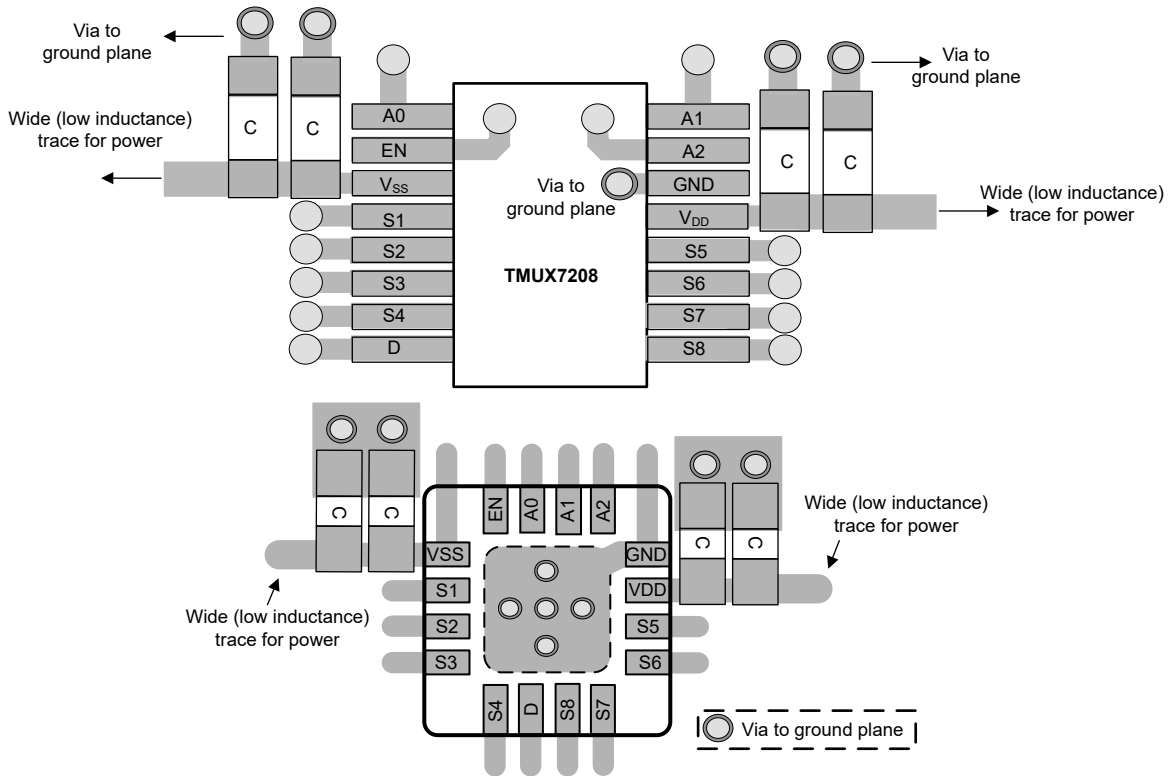
図 9-4. Trace Example

Route high-speed signals using a minimum of vias and corners which reduces signal reflections and impedance changes. When a via must be used, increase the clearance size around it to minimize its capacitance. Each via introduces discontinuities in the signal's transmission line and increases the chance of picking up interference from the other layers of the board. Be careful when designing test points, through-hole pins are not recommended at high frequencies.

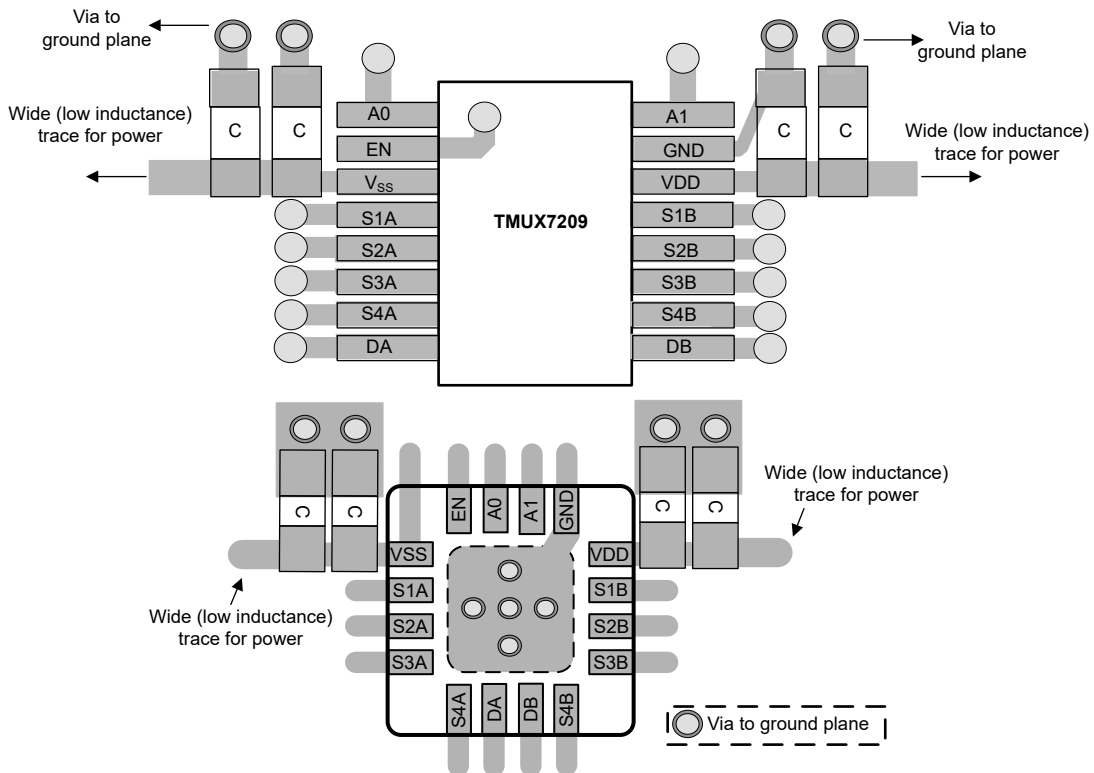
図 9-5 and 図 9-6 illustrate an example of a PCB layout with the TMUX7208. Some key considerations are:

- Decouple the supply pins with a 0.1  $\mu\text{F}$  and 1  $\mu\text{F}$  capacitor, placed lowest value capacitor as close to the pin as possible. Make sure that the capacitor voltage rating is sufficient for the supply voltage.
- Keep the input lines as short as possible.
- Use a solid ground plane to help reduce electromagnetic interference (EMI) noise pickup.
- Do not run sensitive analog traces in parallel with digital traces. Avoid crossing digital and analog traces if possible, and only make perpendicular crossings when necessary.
- Using multiple vias in parallel will lower the overall inductance and is beneficial for connection to ground planes.

### 9.4.2 Layout Example



9-5. TMUX7208 Layout Example



9-6. TMUX7209 Layout Example

## 10 Device and Documentation Support

### 10.1 Documentation Support

#### 10.1.1 Related Documentation

- Texas Instruments, [Using Latch Up Immune Multiplexers to Help Improve System Reliability](#) application note
- Texas Instruments, [Improve Stability Issues with Low CON Multiplexers](#) application brief
- Texas Instruments, [Improving Signal Measurement Accuracy in Automated Test Equipment](#) application brief
- Texas Instruments, [Sample & Hold Glitch Reduction for Precision Outputs Reference Design](#) reference guide
- Texas Instruments, [Simplifying Design with 1.8V logic Muxes and Switches](#) application brief
- Texas Instruments, [System-Level Protection for High-Voltage Analog Multiplexers](#) application note
- Texas Instruments, [True Differential, 4 x 2 MUX, Analog Front End, Simultaneous-Sampling ADC Circuit](#) application note
- Texas Instruments, [QFN/SON PCB Attachment](#) application note
- Texas Instruments, [Quad Flatpack No-Lead Logic Packages](#) application note

### 10.2 ドキュメントの更新通知を受け取る方法

ドキュメントの更新についての通知を受け取るには、[www.tij.co.jp](http://www.tij.co.jp) のデバイス製品フォルダを開いてください。[通知] をクリックして登録すると、変更されたすべての製品情報に関するダイジェストを毎週受け取ることができます。変更の詳細については、改訂されたドキュメントに含まれている改訂履歴をご覧ください。

### 10.3 サポート・リソース

テキサス・インスツルメンツ E2E™ サポート・フォーラムは、エンジニアが検証済みの回答と設計に関するヒントをエキスパートから迅速かつ直接得ることができる場所です。既存の回答を検索したり、独自の質問をしたりすることで、設計に必要な支援を迅速に得ることができます。

リンクされているコンテンツは、各寄稿者により「現状のまま」提供されるものです。これらはテキサス・インスツルメンツの仕様を構成するものではなく、必ずしもテキサス・インスツルメンツの見解を反映したものではありません。テキサス・インスツルメンツの[使用条件](#)を参照してください。

### 10.4 Trademarks

テキサス・インスツルメンツ E2E™ is a trademark of Texas Instruments.

すべての商標は、それぞれの所有者に帰属します。

### 10.5 静電気放電に関する注意事項



この IC は、ESD によって破損する可能性があります。テキサス・インスツルメンツは、IC を取り扱う際には常に適切な注意を払うことを推奨します。正しい取り扱いおよび設置手順に従わない場合、デバイスを破損するおそれがあります。

ESD による破損は、わずかな性能低下からデバイスの完全な故障まで多岐にわたります。精密な IC の場合、パラメータがわずかに変化するだけで公表されている仕様から外れる可能性があるため、破損が発生しやすくなっています。

### 10.6 用語集

[テキサス・インスツルメンツ用語集](#) この用語集には、用語や略語の一覧および定義が記載されています。

## 11 Revision History

資料番号末尾の英字は改訂を表しています。その改訂履歴は英語版に準じています。

Changes from Revision E (January 2022) to Revision F (July 2024)	Page
• Increased HBM ESD rating of TMUX7209 PW package.....	7
• Increased HBM ESD rating of RUM packages.....	7
• Updated IIH max spec from 1.2uA to 2uA.....	9

<b>Changes from Revision D (September 2021) to Revision E (January 2022)</b>	<b>Page</b>
• Updated the <i>Truth Tables</i> section.....	36

<b>Changes from Revision C (April 2021) to Revision D (September 2021)</b>	<b>Page</b>
• TMUX7208 および TMUX7209 の QFN パッケージのステータスを「プレビュー」から「アクティブ」に変更.....	1
• Added ESD detail for RUM package.....	7
• Added the <i>Integrated Pull-Down Resistor on Logic Pins</i> section.....	33
• Updated the <i>Ultra-Low Charge Injection</i> section.....	34
• Updated the <i>TMUX720x Layout Example</i> figures in the <i>Layout Example</i> section.....	41

<b>Changes from Revision B (April 2021) to Revision C (April 2021)</b>	<b>Page</b>
• Added ESD detail for TMUX7209.....	7

<b>Changes from Revision A (March 2021) to Revision B (April 2021)</b>	<b>Page</b>
• Included TMUX7209PW.....	5

<b>Changes from Revision * (December 2020) to Revision A (March 2021)</b>	<b>Page</b>
• 「特長」セクションに WQFN の大電流サポートを追加.....	1
• Added thermal information for QFN package.....	8
• Added I <sub>DC</sub> specs for QFN package in <i>Source or Drain Continuous Current</i> table .....	8
• Updated V <sub>DD</sub> rise time value from 100ns to 1μs in T <sub>ON(VDD)</sub> test condition.....	10
• Updated C <sub>L</sub> value from 1nF to 100pF in Charge Injection test condition.....	10

## 12 Mechanical, Packaging, and Orderable Information

The following pages include mechanical packaging and orderable information. This information is the most current data available for the designated devices. This data is subject to change without notice and revision of this document. For browser-based versions of this data sheet, refer to the left-hand navigation.

## 重要なお知らせと免責事項

テキサス・インスツルメンツは、技術データと信頼性データ (データシートを含みます)、設計リソース (リファレンス デザインを含みます)、アプリケーションや設計に関する各種アドバイス、Web ツール、安全性情報、その他のリソースを、欠陥が存在する可能性のある「現状のまま」提供しており、商品性および特定目的に対する適合性の黙示保証、第三者の知的財産権の非侵害保証を含むいかなる保証も、明示的または黙示的にかかわらず拒否します。

これらのリソースは、テキサス・インスツルメンツ製品を使用する設計の経験を積んだ開発者への提供を意図したものです。(1) お客様のアプリケーションに適した テキサス・インスツルメンツ製品の選定、(2) お客様のアプリケーションの設計、検証、試験、(3) お客様のアプリケーションに該当する各種規格や、その他のあらゆる安全性、セキュリティ、規制、または他の要件への確実な適合に関する責任を、お客様のみが単独で負うものとします。

上記の各種リソースは、予告なく変更される可能性があります。これらのリソースは、リソースで説明されている テキサス・インスツルメンツ製品を使用するアプリケーションの開発の目的でのみ、テキサス・インスツルメンツはその使用をお客様に許諾します。これらのリソースに関して、他の目的で複製することや掲載することは禁止されています。テキサス・インスツルメンツや第三者の知的財産権のライセンスが付与されている訳ではありません。お客様は、これらのリソースを自身で使用した結果発生するあらゆる申し立て、損害、費用、損失、責任について、テキサス・インスツルメンツおよびその代理人を完全に補償するものとし、テキサス・インスツルメンツは一切の責任を拒否します。

テキサス・インスツルメンツの製品は、[テキサス・インスツルメンツの販売条件](#)、または [ti.com](https://www.ti.com) やかかる テキサス・インスツルメンツ製品の関連資料などのいずれかを通じて提供する適用可能な条項の下で提供されています。テキサス・インスツルメンツがこれらのリソースを提供することは、適用されるテキサス・インスツルメンツの保証または他の保証の放棄の拡大や変更を意味するものではありません。

お客様がいかなる追加条項または代替条項を提案した場合でも、テキサス・インスツルメンツはそれらに異議を唱え、拒否します。

郵送先住所: Texas Instruments, Post Office Box 655303, Dallas, Texas 75265

Copyright © 2024, Texas Instruments Incorporated

**PACKAGING INFORMATION**

Orderable part number	Status (1)	Material type (2)	Package   Pins	Package qty   Carrier	RoHS (3)	Lead finish/ Ball material (4)	MSL rating/ Peak reflow (5)	Op temp (°C)	Part marking (6)
<a href="#">TMUX7208PWR</a>	Active	Production	TSSOP (PW)   16	2000   LARGE T&R	Yes	NIPDAU	Level-1-260C-UNLIM	-40 to 125	X208
TMUX7208PWR.B	Active	Production	TSSOP (PW)   16	2000   LARGE T&R	Yes	NIPDAU	Level-1-260C-UNLIM	-40 to 125	X208
TMUX7208PWRG4	Active	Production	TSSOP (PW)   16	2000   LARGE T&R	Yes	NIPDAU	Level-1-260C-UNLIM	-40 to 125	X208
TMUX7208PWRG4.B	Active	Production	TSSOP (PW)   16	2000   LARGE T&R	Yes	NIPDAU	Level-1-260C-UNLIM	-40 to 125	X208
<a href="#">TMUX7208RUMR</a>	Active	Production	WQFN (RUM)   16	3000   LARGE T&R	Yes	NIPDAU	Level-1-260C-UNLIM	-40 to 125	TMUX X208
TMUX7208RUMR.B	Active	Production	WQFN (RUM)   16	3000   LARGE T&R	Yes	NIPDAU	Level-1-260C-UNLIM	-40 to 125	TMUX X208
TMUX7208RUMRG4	Active	Production	WQFN (RUM)   16	3000   LARGE T&R	Yes	NIPDAU	Level-1-260C-UNLIM	-40 to 125	TMUX X208
TMUX7208RUMRG4.B	Active	Production	WQFN (RUM)   16	3000   LARGE T&R	Yes	NIPDAU	Level-1-260C-UNLIM	-40 to 125	TMUX X208
<a href="#">TMUX7209PWR</a>	Active	Production	TSSOP (PW)   16	2000   LARGE T&R	Yes	NIPDAU	Level-1-260C-UNLIM	-40 to 125	X209
TMUX7209PWR.B	Active	Production	TSSOP (PW)   16	2000   LARGE T&R	Yes	NIPDAU	Level-1-260C-UNLIM	-40 to 125	X209
TMUX7209PWRG4	Active	Production	TSSOP (PW)   16	2000   LARGE T&R	Yes	NIPDAU	Level-1-260C-UNLIM	-40 to 125	X209
TMUX7209PWRG4.B	Active	Production	TSSOP (PW)   16	2000   LARGE T&R	Yes	NIPDAU	Level-1-260C-UNLIM	-40 to 125	X209
<a href="#">TMUX7209RUMR</a>	Active	Production	WQFN (RUM)   16	3000   LARGE T&R	Yes	NIPDAU	Level-1-260C-UNLIM	-40 to 125	TMUX X209
TMUX7209RUMR.B	Active	Production	WQFN (RUM)   16	3000   LARGE T&R	Yes	NIPDAU	Level-1-260C-UNLIM	-40 to 125	TMUX X209

(1) **Status:** For more details on status, see our [product life cycle](#).

(2) **Material type:** When designated, preproduction parts are prototypes/experimental devices, and are not yet approved or released for full production. Testing and final process, including without limitation quality assurance, reliability performance testing, and/or process qualification, may not yet be complete, and this item is subject to further changes or possible discontinuation. If available for ordering, purchases will be subject to an additional waiver at checkout, and are intended for early internal evaluation purposes only. These items are sold without warranties of any kind.

(3) **RoHS values:** Yes, No, RoHS Exempt. See the [TI RoHS Statement](#) for additional information and value definition.

(4) **Lead finish/Ball material:** Parts may have multiple material finish options. Finish options are separated by a vertical ruled line. Lead finish/Ball material values may wrap to two lines if the finish value exceeds the maximum column width.

(5) **MSL rating/Peak reflow:** The moisture sensitivity level ratings and peak solder (reflow) temperatures. In the event that a part has multiple moisture sensitivity ratings, only the lowest level per JEDEC standards is shown. Refer to the shipping label for the actual reflow temperature that will be used to mount the part to the printed circuit board.

(6) **Part marking:** There may be an additional marking, which relates to the logo, the lot trace code information, or the environmental category of the part.

Multiple part markings will be inside parentheses. Only one part marking contained in parentheses and separated by a "~" will appear on a part. If a line is indented then it is a continuation of the previous line and the two combined represent the entire part marking for that device.

**Important Information and Disclaimer:**The information provided on this page represents TI's knowledge and belief as of the date that it is provided. TI bases its knowledge and belief on information provided by third parties, and makes no representation or warranty as to the accuracy of such information. Efforts are underway to better integrate information from third parties. TI has taken and continues to take reasonable steps to provide representative and accurate information but may not have conducted destructive testing or chemical analysis on incoming materials and chemicals. TI and TI suppliers consider certain information to be proprietary, and thus CAS numbers and other limited information may not be available for release.

In no event shall TI's liability arising out of such information exceed the total purchase price of the TI part(s) at issue in this document sold by TI to Customer on an annual basis.

**TAPE AND REEL INFORMATION**

**QUADRANT ASSIGNMENTS FOR PIN 1 ORIENTATION IN TAPE**


\*All dimensions are nominal

Device	Package Type	Package Drawing	Pins	SPQ	Reel Diameter (mm)	Reel Width W1 (mm)	A0 (mm)	B0 (mm)	K0 (mm)	P1 (mm)	W (mm)	Pin1 Quadrant
TMUX7208PWR	TSSOP	PW	16	2000	330.0	12.4	6.9	5.6	1.6	8.0	12.0	Q1
TMUX7208PWRG4	TSSOP	PW	16	2000	330.0	12.4	6.9	5.6	1.6	8.0	12.0	Q1
TMUX7208RUMR	WQFN	RUM	16	3000	330.0	12.4	4.25	4.25	1.15	8.0	12.0	Q2
TMUX7208RUMRG4	WQFN	RUM	16	3000	330.0	12.4	4.25	4.25	1.15	8.0	12.0	Q2
TMUX7209PWR	TSSOP	PW	16	2000	330.0	12.4	6.9	5.6	1.6	8.0	12.0	Q1
TMUX7209PWRG4	TSSOP	PW	16	2000	330.0	12.4	6.9	5.6	1.6	8.0	12.0	Q1
TMUX7209RUMR	WQFN	RUM	16	3000	330.0	12.4	4.25	4.25	1.15	8.0	12.0	Q2

**TAPE AND REEL BOX DIMENSIONS**


\*All dimensions are nominal

Device	Package Type	Package Drawing	Pins	SPQ	Length (mm)	Width (mm)	Height (mm)
TMUX7208PWR	TSSOP	PW	16	2000	353.0	353.0	32.0
TMUX7208PWRG4	TSSOP	PW	16	2000	353.0	353.0	32.0
TMUX7208RUMR	WQFN	RUM	16	3000	367.0	367.0	35.0
TMUX7208RUMRG4	WQFN	RUM	16	3000	367.0	367.0	35.0
TMUX7209PWR	TSSOP	PW	16	2000	353.0	353.0	32.0
TMUX7209PWRG4	TSSOP	PW	16	2000	353.0	353.0	32.0
TMUX7209RUMR	WQFN	RUM	16	3000	367.0	367.0	35.0

## GENERIC PACKAGE VIEW

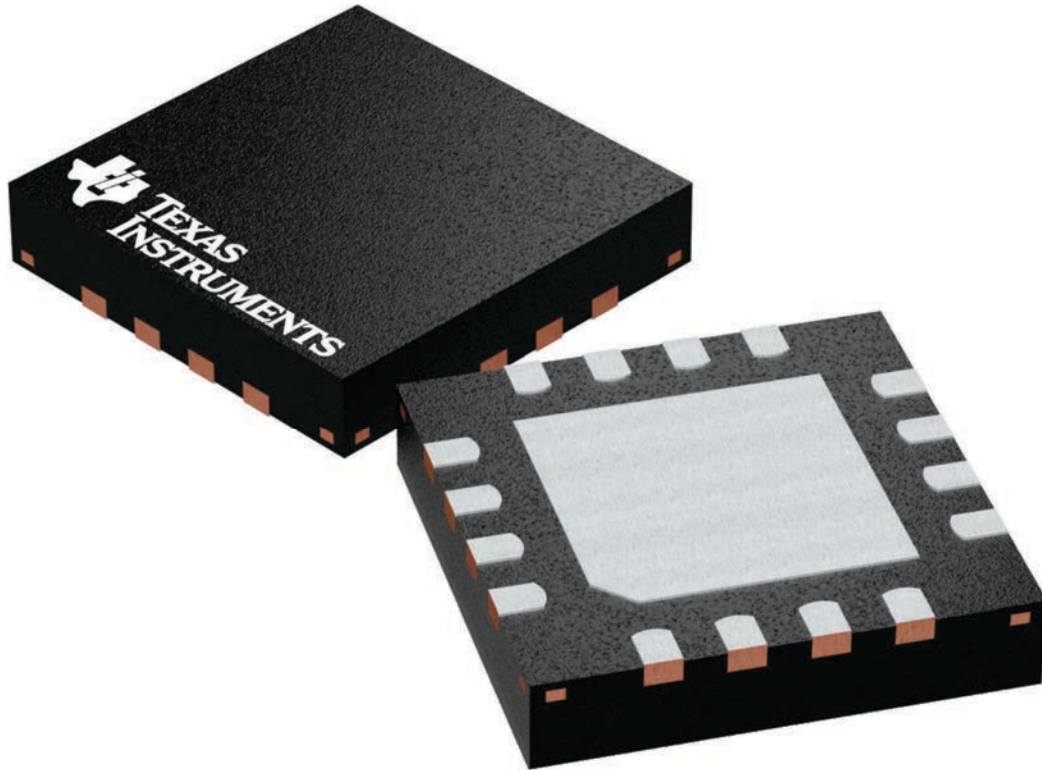
**RUM 16**

**WQFN - 0.8 mm max height**

4 x 4, 0.65 mm pitch

PLASTIC QUAD FLATPACK - NO LEAD

This image is a representation of the package family, actual package may vary.  
Refer to the product data sheet for package details.



4224843/A



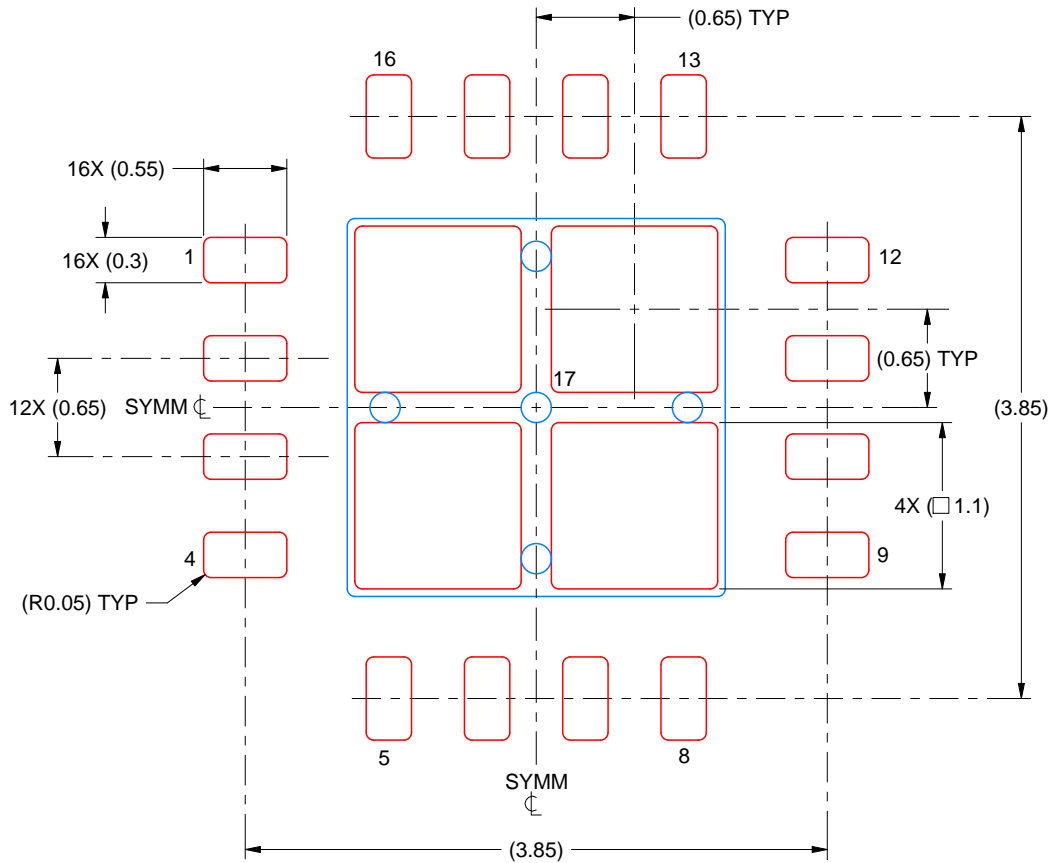


# EXAMPLE STENCIL DESIGN

RUM0016E

WQFN - 0.8 mm max height

PLASTIC QUAD FLATPACK - NO LEAD



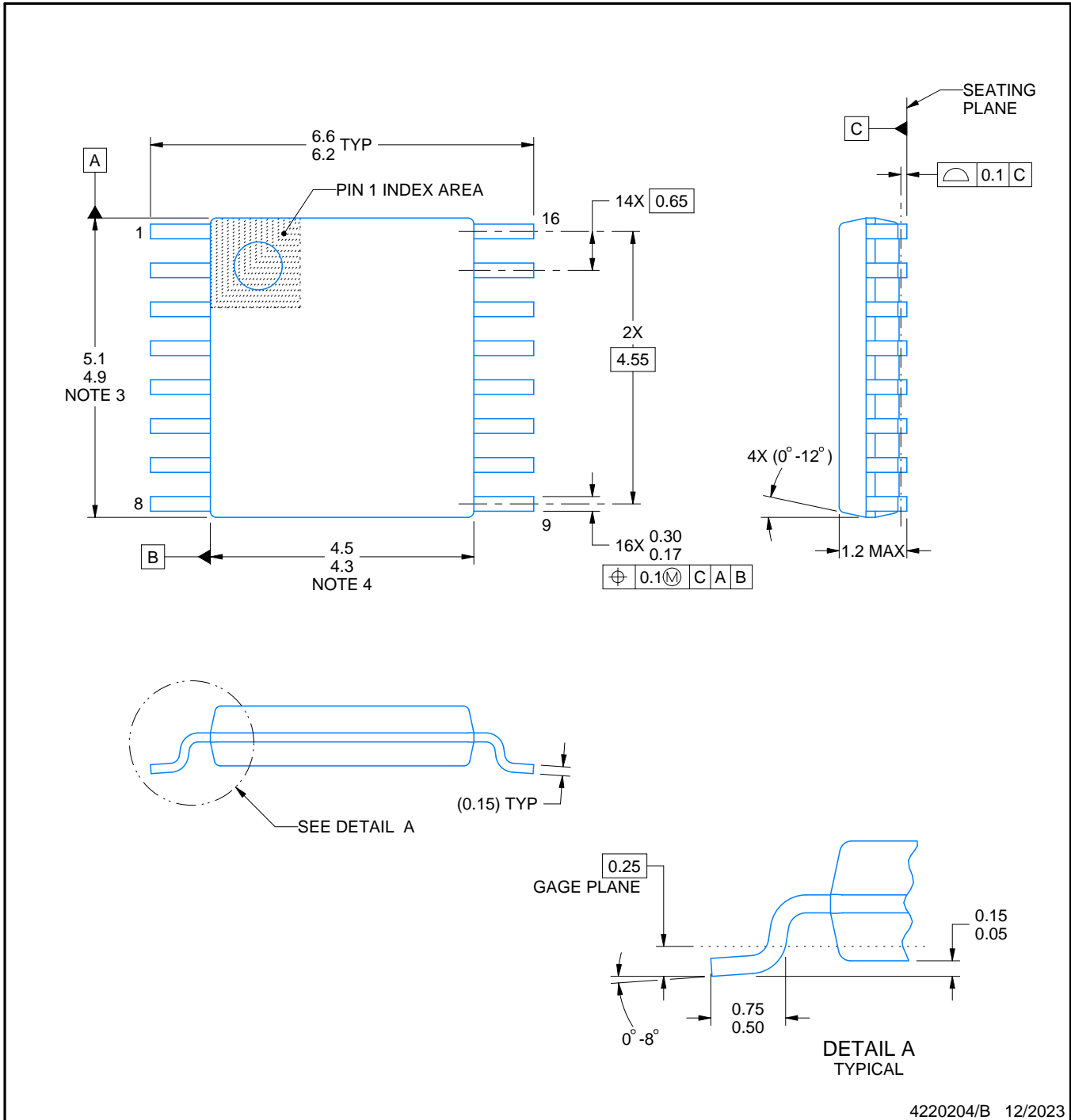
SOLDER PASTE EXAMPLE  
BASED ON 0.125 MM THICK STENCIL  
SCALE: 20X

EXPOSED PAD 17  
77% PRINTED SOLDER COVERAGE BY AREA UNDER PACKAGE

4224815/B 03/2026

NOTES: (continued)

6. Laser cutting apertures with trapezoidal walls and rounded corners may offer better paste release. IPC-7525 may have alternate design recommendations.



4220204/B 12/2023

NOTES:

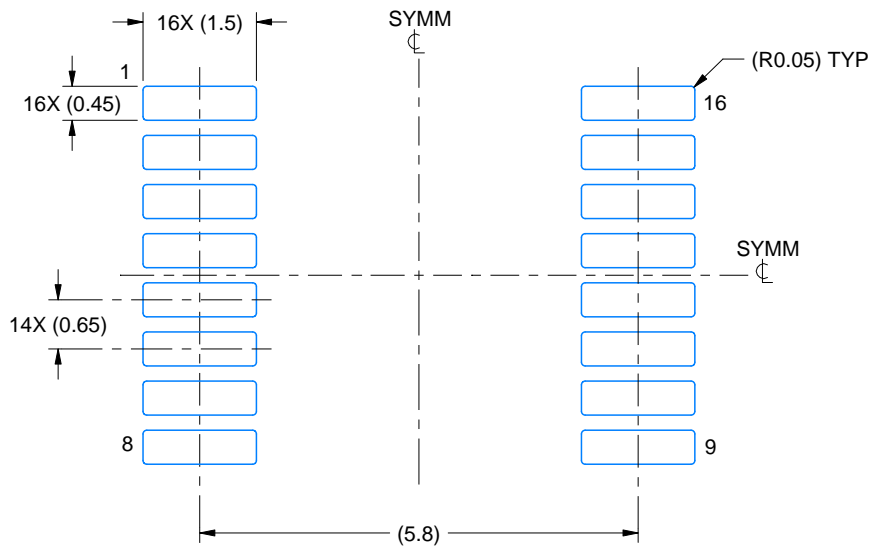
1. All linear dimensions are in millimeters. Any dimensions in parenthesis are for reference only. Dimensioning and tolerancing per ASME Y14.5M.
2. This drawing is subject to change without notice.
3. This dimension does not include mold flash, protrusions, or gate burrs. Mold flash, protrusions, or gate burrs shall not exceed 0.15 mm per side.
4. This dimension does not include interlead flash. Interlead flash shall not exceed 0.25 mm per side.
5. Reference JEDEC registration MO-153.

# EXAMPLE BOARD LAYOUT

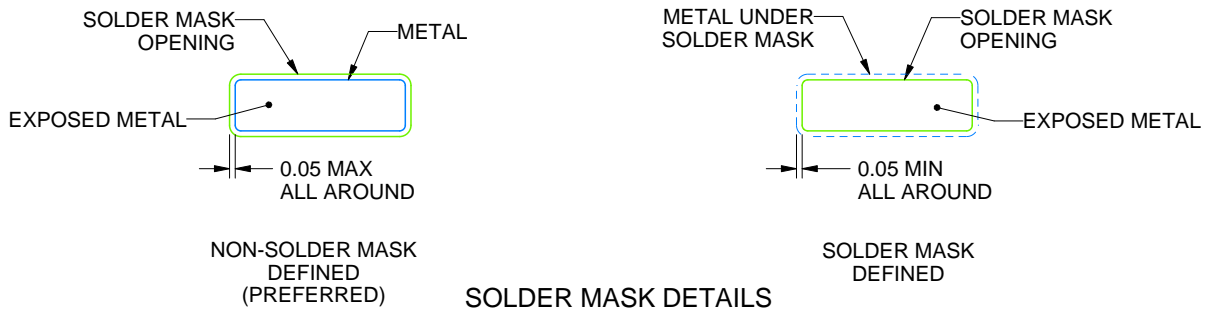
PW0016A

TSSOP - 1.2 mm max height

SMALL OUTLINE PACKAGE



LAND PATTERN EXAMPLE  
EXPOSED METAL SHOWN  
SCALE: 10X



SOLDER MASK DETAILS

4220204/B 12/2023

NOTES: (continued)

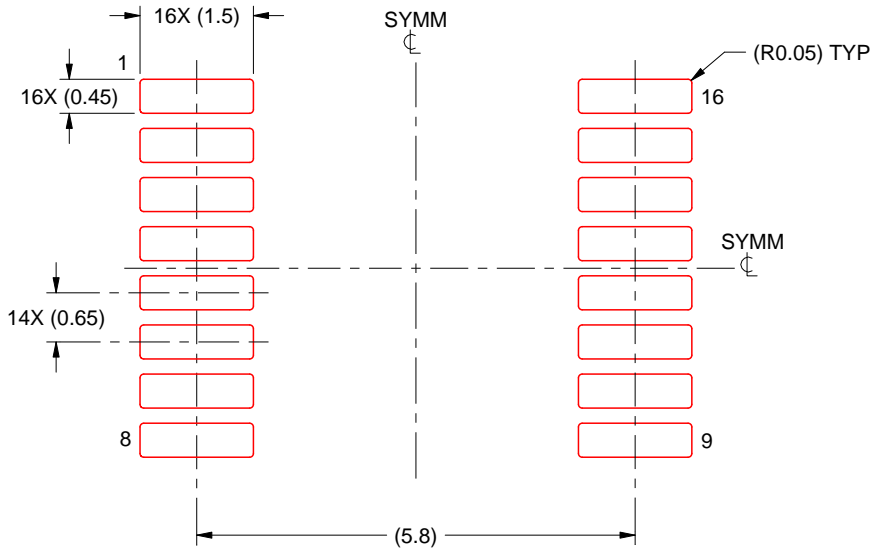
- 6. Publication IPC-7351 may have alternate designs.
- 7. Solder mask tolerances between and around signal pads can vary based on board fabrication site.

# EXAMPLE STENCIL DESIGN

PW0016A

TSSOP - 1.2 mm max height

SMALL OUTLINE PACKAGE



SOLDER PASTE EXAMPLE  
BASED ON 0.125 mm THICK STENCIL  
SCALE: 10X

4220204/B 12/2023

NOTES: (continued)

8. Laser cutting apertures with trapezoidal walls and rounded corners may offer better paste release. IPC-7525 may have alternate design recommendations.
9. Board assembly site may have different recommendations for stencil design.

## 重要なお知らせと免責事項

TI は、技術データと信頼性データ (データシートを含みます)、設計リソース (リファレンス デザインを含みます)、アプリケーションや設計に関する各種アドバイス、Web ツール、安全性情報、その他のリソースを、欠陥が存在する可能性のある「現状のまま」提供しており、商品性および特定目的に対する適合性の黙示保証、第三者の知的財産権の非侵害保証を含むいかなる保証も、明示的または黙示的にかかわらず拒否します。

これらのリソースは、TI 製品を使用する設計の経験を積んだ開発者への提供を意図したものです。(1) お客様のアプリケーションに適した TI 製品の選定、(2) お客様のアプリケーションの設計、検証、試験、(3) お客様のアプリケーションに該当する各種規格や、その他のあらゆる安全性、セキュリティ、規制、または他の要件への確実な適合に関する責任を、お客様のみが単独で負うものとし、

上記の各種リソースは、予告なく変更される可能性があります。これらのリソースは、リソースで説明されている TI 製品を使用するアプリケーションの開発の目的でのみ、TI はその使用をお客様に許諾します。これらのリソースに関して、他の目的で複製することや掲載することは禁止されています。TI や第三者の知的財産権のライセンスが付与されている訳ではありません。お客様は、これらのリソースを自身で使用した結果発生するあらゆる申し立て、損害、費用、損失、責任について、TI およびその代理人を完全に補償するものとし、TI は一切の責任を拒否します。

TI の製品は、[TI の販売条件](#)、[TI の総合的な品質ガイドライン](#)、[ti.com](#) または TI 製品などに関連して提供される他の適用条件に従い提供されます。TI がこれらのリソースを提供することは、適用される TI の保証または他の保証の放棄の拡大や変更を意味するものではありません。TI がカスタム、またはカスタマー仕様として明示的に指定していない限り、TI の製品は標準的なカタログに掲載される汎用機器です。

お客様がいかなる追加条項または代替条項を提案する場合も、TI はそれらに異議を唱え、拒否します。

Copyright © 2026, Texas Instruments Incorporated

最終更新日 : 2025 年 10 月