

TPS2660x 入力逆極性保護搭載の60V、2A産業用eFuse

1 特長

- 動作電圧 4.2V~60V、絶対最大定格 62V
- 60V までの入力逆極性保護機能を内蔵
 - 追加部品が不要
- 2 個の MOSFET をバック・ツー・バック接続し、合計 RON が 150mΩ
- 電流制限を0.1A~2.23Aに調整可能 (1Aにおいて±5%精度)
- 機能安全対応
 - 機能安全システムの設計に役立つ資料を利用可能
- 最小限の外付け部品でサージ時の負荷保護 (IEC 61000-4-5) を実現
- IMON 電流インジケータ出力 (±8.5% 精度)
- 低い静止電流：動作時 300μA、シャットダウン時 20μA
- 可変 UVLO、OVP カットオフ、出力スルーレート制御
- 逆電流保護
- 38V 固定の過電圧クランプ (TPS26602 のみ)
- 使いやすい 16 ピン HTSSOP および 24 ピン VQFN パッケージで供給
- 電流を制限するフォルトへの応答オプションを選択可能 (自動再試行、ラッチオフ、サーキット・ブレーカー・モード)
- UL 2367認定済み
 - ファイル番号169910
 - $R_{ILIM} \geq 5.36k\Omega$ (最大 2.35A)
- UL60950 単一点障害時の安全性
 - オープン / 短絡 ILIM の検出

2 アプリケーション

- プログラマブル・ロジック・コントローラ
- 分散制御システム (DCS)
- 制御およびオートメーション
- 冗長化電源 OR 接続
- 産業用サージ保護

3 概要

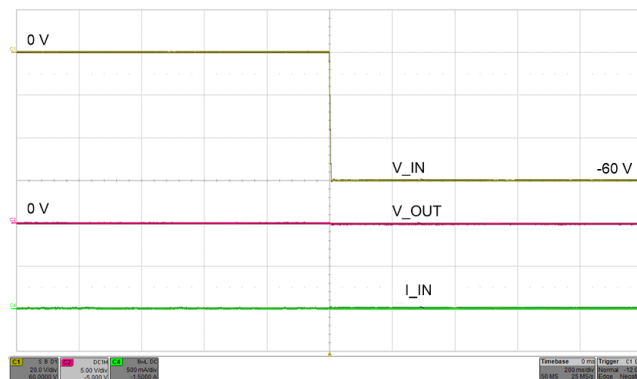
TPS2660x デバイスは小型で豊富な機能を持つ高電圧 eFuse で、完全な保護機能のセットが搭載されています。入力電源電圧範囲が 4.2V~60V と広いため、多くの一般的な DC バス電圧を制御できます。このデバイスは、±60V までの正および負の電源電圧に耐えられ、それらの電圧から負荷を保護できます。2 個の FET をバック・ツー・バック接続し、逆電流ブロック機能があるため、電力障害やブラウンアウト状況時に出力電圧を保持する必要のあるシステムに適しています。負荷、ソース、デバイスの保護が提供され、過電流、出力スルー・レート、過電圧および低電圧のスレッシュホールドなど、多くの機能を調整可能です。TPS2660x の堅牢な内部保護制御ブロックと、高い電圧定格により、サージ保護のシステムを簡単に設計できます。

製品情報⁽¹⁾

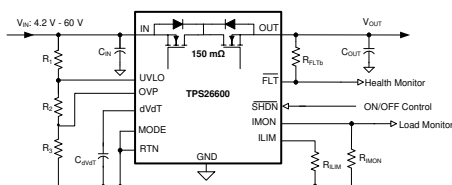
型番	パッケージ	本体サイズ (公称)
TPS26600 TPS26602	HTSSOP (16)	5.00mm×4.40mm
TPS26600 TPS26601 TPS26602	VQFN (24)	5.00mm×4.00mm

(1) 利用可能なすべてのパッケージについては、このデータシートの末尾にある注文情報を参照してください。

-60V 電源における入力逆極性保護



概略回路図



目次

1	特長	1	10.4	Device Functional Modes	28
2	アプリケーション	1	11	Application and Implementation	29
3	概要	1	11.1	Application Information	29
4	改訂履歴	2	11.2	Typical Application	29
5	概要 (続き)	4	11.3	System Examples	35
6	Device Comparison Table	5	11.4	Do's and Don'ts	38
7	Pin Configuration and Functions	5	12	Power Supply Recommendations	39
8	Specifications	7	12.1	Transient Protection	39
8.1	Absolute Maximum Ratings	7	13	Layout	40
8.2	ESD Ratings	7	13.1	Layout Guidelines	40
8.3	Recommended Operating Conditions	7	13.2	Layout Example	41
8.4	Thermal Information	7	14	デバイスおよびドキュメントのサポート	43
8.5	Electrical Characteristics	8	14.1	デバイス・サポート	43
8.6	Timing Requirements	10	14.2	ドキュメントのサポート	43
8.7	Typical Characteristics	11	14.3	ドキュメントの更新通知を受け取る方法	43
9	Parameter Measurement Information	17	14.4	コミュニティ・リソース	43
10	Detailed Description	18	14.5	商標	43
10.1	Overview	18	14.6	静電気放電に関する注意事項	43
10.2	Functional Block Diagram	19	14.7	Glossary	43
10.3	Feature Description	19	15	メカニカル、パッケージ、および注文情報	43

4 改訂履歴

Revision F (August 2019) から Revision G に変更	Page
• 「 特長 」セクションに機能安全対応のリンクを追加	1

Revision E (November 2017) から Revision F に変更	Page
• 「 特長 」セクションの動作電圧を 55V から 60V に、絶対最大定格を 60V から 62V に変更	1
• 「 概要 」セクションおよび「 概略回路図 」で入力範囲を 55V から 60V に変更	4
• Changed Input voltage MAX from 60 V to 62 V in the <i>Absolute Maximum Ratings</i> table	7
• Changed Input voltage MAX from 55 V to 60 V in the <i>Recommended Operating Conditions</i> table	7
• Changed Operating input voltage MAX from 55 V to 60 V in the <i>Electrical Characteristics</i> table	8
• Added OVP _{MAX} to the Overvoltage Protection section in the <i>Electrical Characteristics</i> table	8
• Changed voltage range from 55 V to 60 V in the <i>Detailed Description, Application and Implementation</i> and <i>Power Supply Recommendations</i> sections	18

Revision D (April 2017) から Revision E に変更	Page
• 「 フォルト応答 」セクションを更新	4

Revision C (March 2017) から Revision D に変更	Page
• Updated <i>Pin Functions</i> table	5

Revision B (Feb 2017) から Revision C に変更	Page
• 「 特長 」セクションのUL認定を更新	1

Revision A (Aug 2016) から Revision B に変更	Page
• RHF パッケージを追加	1
• Changed "Reverse input supply current" from "52" to "66" in the <i>Electrical Characteristics</i> table.....	8
• Changed "UVLO threshold voltage, falling" from "1.095" to "1.08" in the <i>Electrical Characteristics</i> table.....	8
• Changed "Over-voltage threshold voltage, rising" from "1.175" to "1.17" in the <i>Electrical Characteristics</i> table.....	8
• Changed "Over-voltage threshold voltage, falling" from "1.095" to "1.085" in the <i>Electrical Characteristics</i> table.....	8
• Changed " $I_{kg(OUT)}$ " from "35" to "50" in the <i>Electrical Characteristics</i> table.....	9
• Changed \overline{FLT} input leakage current from "-100" to "-200" (MIN) and "100" to "200" (MAX) in the <i>Electrical Characteristics</i> table	9
<hr/>	
2016年7月発行のものから更新	Page
• デバイス・ステータスを製品プレビューから量産データに変更	4

5 概要（続き）

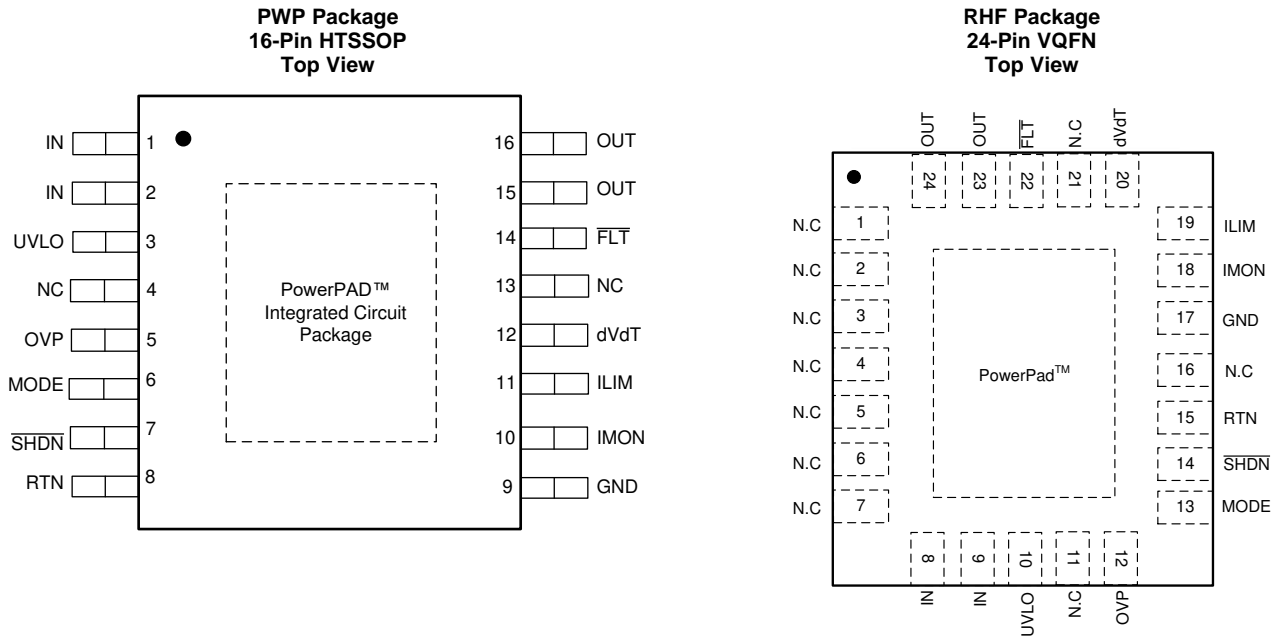
シャットダウン・ピンにより、内蔵FETのイネーブル/ディセーブルを外部的に制御でき、デバイスを低電流のシャットダウン・モードに移行させることもできます。システム状態の監視や、下流負荷の制御のため、このデバイスはフォルトおよび高精度の電流監視出力を備えています。MODEピンにより、電流を制限する3種類のフォルト応答(サーキット・ブレーカー、ラッチオフ、自動再試行モード)のどれにでも柔軟にデバイスを構成できます。

このデバイスは5mm×4.4mmの16ピンHTSSOPと、5mm×4mmの24ピンVQFNパッケージで供給され、-40°C～+125°Cの温度範囲が定格内です。

6 Device Comparison Table

Part Number	Overvoltage Protection	Over Load Fault Response with MODE = Open
TPS26600	Overvoltage cut-off, adjustable	Circuit breaker with auto-retry
TPS26601	Overvoltage cut-off, adjustable	Circuit breaker with latch
TPS26602	Overvoltage clamp, fixed (38 V)	Circuit breaker with auto-retry

7 Pin Configuration and Functions



Pin Functions

NAME	PIN		TYPE	DESCRIPTION
	TPS26600/1/2 HTSSOP	VQFN		
dVdT	12	20	I/O	A capacitor from this pin to RTN sets output voltage slew rate. See the Hot Plug-In and In-Rush Current Control section.
FLT	14	22	O	Fault event indicator. It is an open drain output. If unused, leave floating.
GND	9	17	—	Connect GND to system ground.
ILIM	11	19	I/O	A resistor from this pin to RTN sets the overload and short-circuit current limit. See the Overload and Short Circuit Protection section.
IMON	10	18	O	Analog current monitor output. This pin sources a scaled down ratio of current through the internal FET. A resistor from this pin to RTN converts current to proportional voltage. If unused, leave it floating.
IN	1	8	Power	Power input and supply voltage of the device.
	2	9		
MODE	6	13	I	Mode selection pin for over load fault response. See the Device Functional Modes section.
N.C.	13	1-7	—	No connect
		11		
		16		
		21		

Pin Functions (continued)

NAME	PIN		TYPE	DESCRIPTION
	TPS26600/1/2			
	HTSSOP	VQFN		
OUT	15	23	Power	Power output of the device
	16	24		
OVP	5	12	I	Input for setting the programmable overvoltage protection threshold (For TPS26600/1 only). An overvoltage event turns off the internal FET and asserts $\overline{\text{FLT}}$ to indicate the overvoltage fault. Connect OVP pin to RTN pin externally to select the internal default threshold. For overvoltage clamp response (TPS26602 Only) connect OVP to RTN externally
PowerPad™	—	—	—	PowerPad must be connected to RTN plane on PCB using multiple vias for enhanced thermal performance. Do not use PowerPad as the only electrical connection to RTN
RTN	8	15	—	Reference for device internal control circuits
$\overline{\text{SHDN}}$	7	14	I	Shutdown pin. Pulling $\overline{\text{SHDN}}$ low makes the device to enter into low power shutdown mode. Cycling $\overline{\text{SHDN}}$ pin voltage resets the device that has latched off due to a fault condition
UVLO	3	10	I	Input for setting the programmable undervoltage lockout threshold. An undervoltage event turns off the internal FET and asserts $\overline{\text{FLT}}$ to indicate the power-failure. Connect UVLO pin to RTN pin to select the internal default threshold

8 Specifications

8.1 Absolute Maximum Ratings

over operating free-air temperature range (all voltages referred to GND (unless otherwise noted))⁽¹⁾

		MIN	MAX	UNIT
IN, IN-OUT	Input voltage	-60	62	V
IN, IN-OUT (10 ms transient), T _A = 25°C		-70	70	V
[IN, OUT, $\overline{\text{FLT}}$, UVLO, $\overline{\text{SHDN}}$] to RTN		-0.3	62	V
[OVP, dVdT, ILIM, IMON, MODE] to RTN		-0.3	5	V
RTN		-60	0.3	V
I $\overline{\text{FLT}}$, I _{dVdT} , I $\overline{\text{SHDN}}$	Sink current		10	mA
I _{dVdT} , I _{ILIM} , I _{IMON}	Source current	Internally limited		
T _J	Operating junction temperature	-40	150	°C
	Transient junction temperature	-65	T _(TSD)	°C
T _{stg}	Storage temperature	-65	150	°C

(1) Stresses beyond those listed under *Absolute Maximum Ratings* may cause permanent damage to the device. These are stress ratings only, which do not imply functional operation of the device at these or any other conditions beyond those indicated under *Recommended Operating Conditions*. Exposure to absolute-maximum-rated conditions for extended periods may affect device reliability.

8.2 ESD Ratings

		VALUE	UNIT
V _(ESD) Electrostatic discharge	Human-body model (HBM), per ANSI/ESDA/JEDEC JS-001 ⁽¹⁾	±1000	V
	Charged-device model (CDM), per JEDEC specification JESD22-C101 ⁽²⁾	±250	

(1) JEDEC document JEP155 states that 500-V HBM allows safe manufacturing with a standard ESD control process.

(2) JEDEC document JEP157 states that 250-V CDM allows safe manufacturing with a standard ESD control process.

8.3 Recommended Operating Conditions

over operating free-air temperature range (all voltages referred to GND (unless otherwise noted))

		MIN	NOM	MAX	UNIT
IN	Input voltage	-55		60	V
UVLO, OUT, $\overline{\text{FLT}}$		0		60	
OVP, dVdT, ILIM, IMON, $\overline{\text{SHDN}}$		0		4	
ILIM	Resistance	5.36		120	kΩ
IMON		1			
IN, OUT	External capacitance	0.1			μF
dVdT		10			nF
-dV _(IN) /dt	V _(IN) falling slew rate			20	V/μs
T _J	Operating junction temperature	-40	25	125	°C

8.4 Thermal Information

THERMAL METRIC ⁽¹⁾		TPS2660		UNIT
		PWP (HTSSOP)	RHF (VQFN)	
		16 PINS	24 PINS	
R _{θJA}	Junction-to-ambient thermal resistance	38.6	30.2	°C/W
R _{θJC(top)}	Junction-to-case (top) thermal resistance	22.7	20.8	°C/W
R _{θJB}	Junction-to-board thermal resistance	18.2	7.6	°C/W
ψ _{JT}	Junction-to-top characterization parameter	0.5	0.2	°C/W
ψ _{JB}	Junction-to-board characterization parameter	18	7.6	°C/W
R _{θJC(bot)}	Junction-to-case (bottom) thermal resistance	1.5	1.7	°C/W

(1) For more information about traditional and new thermal metrics, see the [Semiconductor and IC Package Thermal Metrics](#) application report.

8.5 Electrical Characteristics

$-40^{\circ}\text{C} \leq T_A = T_J \leq +125^{\circ}\text{C}$, $V_{(\text{IN})} = 24\text{ V}$, $V_{(\text{SHDN})} = 2\text{ V}$, $R_{(\text{ILIM})} = 120\text{ k}\Omega$, $\text{IMON} = \overline{\text{FLT}} = \text{OPEN}$, $C_{(\text{OUT})} = 1\text{ }\mu\text{F}$, $C_{(\text{dVdT})} = \text{OPEN}$.
 (All voltages referenced to GND, (unless otherwise noted))

PARAMETER		TEST CONDITIONS	MIN	TYP	MAX	UNIT
SUPPLY VOLTAGE						
$V_{(\text{IN})}$	Operating input voltage		4.2		60	V
$V_{(\text{PORR})}$	Internal POR threshold, rising		3.9	4	4.1	V
$V_{(\text{PORHys})}$	Internal POR hysteresis		250	275	300	mV
$I_{(\text{Q(ON)})}$	Supply current	Enabled: $V_{(\text{SHDN})} = 2\text{ V}$	190	300	390	μA
$I_{(\text{Q(OFF)})}$		$V_{(\text{SHDN})} = 0\text{ V}$	11	20	33	μA
$I_{(\text{VINR})}$	Reverse input supply current	$V_{(\text{IN})} = -60\text{ V}$, $V_{(\text{OUT})} = 0\text{ V}$			66	μA
$V_{(\text{OVC})}$	Overvoltage clamp	$V_{(\text{IN})} > 42\text{ V}$, TPS26602 only	36	37.5	40	V
UNDERVOLTAGE LOCKOUT (UVLO) INPUT						
$V_{(\text{IN_UVLO})}$	Factory set $V_{(\text{IN})}$ undervoltage trip level	$V_{(\text{IN})}$ rising, $V_{(\text{UVLO})} = 0\text{ V}$	14.25	14.9	15.75	V
		$V_{(\text{IN})}$ falling, $V_{(\text{UVLO})} = 0\text{ V}$	13.25	13.8	14.75	
$V_{(\text{SEL_UVLO})}$	Internal UVLO select threshold		180	200	240	mV
$V_{(\text{UVLOR})}$	UVLO threshold voltage, rising		1.175	1.19	1.225	V
$V_{(\text{UVLOF})}$	UVLO threshold voltage, falling		1.08	1.1	1.125	V
$I_{(\text{UVLO})}$	UVLO input leakage current	$0\text{ V} \leq V_{(\text{UVLO})} \leq 60\text{ V}$	-100	0	100	nA
LOW IQ SHUTDOWN (SHDN) INPUT						
$V_{(\text{SHDN})}$	Output voltage	$I_{(\text{SHDN})} = 0.1\text{ }\mu\text{A}$	2	2.7	3.4	V
$V_{(\text{SHUTF})}$	$\overline{\text{SHDN}}$ threshold voltage for low IQ shutdown, falling		0.55	0.76	0.94	V
$I_{(\text{SHDN})}$	Leakage current	$V_{(\text{SHDN})} = 0.4\text{ V}$	-10			μA
OVERVOLTAGE PROTECTION (OVP) INPUT						
$V_{(\text{IN_OVP})}$	Factory set $V_{(\text{IN})}$ overvoltage trip level	$V_{(\text{IN})}$ rising, $V_{(\text{OVP})} = 0\text{ V}$	31	32.6	34	V
		$V_{(\text{IN})}$ falling, $V_{(\text{OVP})} = 0\text{ V}$	28.5	30.3	31.5	
$V_{(\text{SEL_OVP})}$	Internal OVP select threshold		180	200	240	mV
$V_{(\text{OVPR})}$	Overvoltage threshold voltage, rising		1.17	1.19	1.225	V
$V_{(\text{OVPF})}$	Overvoltage threshold, falling		1.085	1.1	1.125	V
$I_{(\text{OVP})}$	OVP input leakage current	$0\text{ V} \leq V_{(\text{OVP})} \leq 4\text{ V}$	-100	0	100	nA
OVP_{MAX}	Maximum external OVP setting	TPS26600, TPS26601 only			55	V
OUTPUT RAMP CONTROL (dVdT)						
$I_{(\text{dVdT})}$	dVdT charging current	$V_{(\text{dVdT})} = 0\text{ V}$	4	4.7	5.5	μA
$R_{(\text{dVdT})}$	dVdT discharging resistance	$V_{(\text{SHDN})} = 0\text{ V}$, with $I_{(\text{dVdT})} = 10\text{ mA}$ sinking		14		Ω
$\text{GAIN}_{(\text{dVdT})}$	dVdT to OUT gain	$V_{(\text{OUT})}/V_{(\text{dVdT})}$	23.75	24.6	25.5	V/V
CURRENT LIMIT PROGRAMMING (ILIM)						
$V_{(\text{ILIM})}$	ILIM bias voltage			1		V
$I_{(\text{OL})}$	Overload current limit	$R_{(\text{ILIM})} = 120\text{ k}\Omega$, $V_{(\text{IN})} - V_{(\text{OUT})} = 1\text{ V}$	0.085	0.1	0.115	A
		$R_{(\text{ILIM})} = 12\text{ k}\Omega$, $V_{(\text{IN})} - V_{(\text{OUT})} = 1\text{ V}$	0.95	1	1.05	
		$R_{(\text{ILIM})} = 8\text{ k}\Omega$, $V_{(\text{IN})} - V_{(\text{OUT})} = 1\text{ V}$	1.425	1.5	1.575	
		$R_{(\text{ILIM})} = 5.36\text{ k}\Omega$, $V_{(\text{IN})} - V_{(\text{OUT})} = 1\text{ V}$	2.11	2.23	2.35	
$I_{(\text{OL_R-OPEN})}$	Overload current limit	$R_{(\text{ILIM})} = \text{OPEN}$, open resistor current limit (single point failure test: UL60950)		0.055		A
$I_{(\text{OL_R-SHORT})}$		$R_{(\text{ILIM})} = \text{SHORT}$, shorted resistor current limit (single point failure test: UL60950)		0.095		
$I_{(\text{CB})}$	Circuit breaker detection threshold	$R_{(\text{ILIM})} = 120\text{ k}\Omega$, MODE = open	0.045	0.073	0.11	A
		$R_{(\text{ILIM})} = 5.36\text{ k}\Omega$, MODE = open	2	2.21	2.4	

Electrical Characteristics (continued)

$-40^{\circ}\text{C} \leq T_A = T_J \leq +125^{\circ}\text{C}$, $V_{(IN)} = 24\text{ V}$, $V_{(\overline{\text{SHDN}})} = 2\text{ V}$, $R_{(ILIM)} = 120\text{ k}\Omega$, $\overline{\text{FLT}} = \text{OPEN}$, $C_{(OUT)} = 1\text{ }\mu\text{F}$, $C_{(dVdT)} = \text{OPEN}$.
(All voltages referenced to GND, (unless otherwise noted))

PARAMETER	TEST CONDITIONS	MIN	TYP	MAX	UNIT	
$I_{(SCL)}$	Short-circuit current limit	$R_{(ILIM)} = 120\text{ k}\Omega$, $V_{(IN)} - V_{(OUT)} = 5\text{ V}$	0.08	0.1	0.12	A
		$R_{(ILIM)} = 8\text{ k}\Omega$, $V_{(IN)} - V_{(OUT)} = 5\text{ V}$	1.425	1.5	1.575	
		$R_{(ILIM)} = 5.36\text{ k}\Omega$, $V_{(IN)} - V_{(OUT)} = 5\text{ V}$	2.11	2.23	2.35	
$I_{(FASTTRIP)}$	Fast-trip comparator threshold		$1.87 \times I_{(OL)} + 0.015$		A	
CURRENT MONITOR OUTPUT (IMON)						
$\text{GAIN}_{(IMON)}$	Gain factor $I_{(IMON)}:I_{(OUT)}$	$0.1\text{ A} \leq I_{(OUT)} \leq 2\text{ A}$	72	78.28	85	$\mu\text{A/A}$
PASS FET OUTPUT (OUT)						
R_{ON}	IN to OUT total ON resistance	$0.1\text{ A} \leq I_{(OUT)} \leq 2\text{ A}$, $T_J = 25^{\circ}\text{C}$	140	150	160	$\text{m}\Omega$
		$0.1\text{ A} \leq I_{(OUT)} \leq 2\text{ A}$, $T_J = 85^{\circ}\text{C}$			210	
		$0.1\text{ A} \leq I_{(OUT)} \leq 2\text{ A}$, $-40^{\circ}\text{C} \leq T_J \leq +125^{\circ}\text{C}$	80	150	250	
$I_{(kg)(OUT)}$	OUT leakage current in Off state	$V_{(IN)} = 60\text{ V}$, $V_{(\overline{\text{SHDN}})} = 0\text{ V}$, $V_{(OUT)} = 0\text{ V}$, sourcing			12	μA
		$V_{(IN)} = 0\text{ V}$, $V_{(\overline{\text{SHDN}})} = 0\text{ V}$, $V_{(OUT)} = 24\text{ V}$, sinking			11	
		$V_{(IN)} = -60\text{ V}$, $V_{(\overline{\text{SHDN}})} = 0\text{ V}$, $V_{(OUT)} = 0\text{ V}$, sinking			50	
$V_{(REVTH)}$	$V_{(IN)} - V_{(OUT)}$ threshold for reverse protection comparator, falling		-15	-10	-5	mV
$V_{(FWDTH)}$	$V_{(IN)} - V_{(OUT)}$ threshold for reverse protection comparator, rising		85	96	110	mV
FAULT FLAG ($\overline{\text{FLT}}$): ACTIVE LOW						
$R_{(\overline{\text{FLT}})}$	$\overline{\text{FLT}}$ pull-down resistance	$V_{(OVP)} = 2\text{ V}$, $I_{(\overline{\text{FLT}})} = 5\text{ mA}$ sinking	40	85	160	Ω
$I_{(\overline{\text{FLT}})}$	$\overline{\text{FLT}}$ input leakage current	$0\text{ V} \leq V_{(\overline{\text{FLT}})} \leq 60\text{ V}$	-200		200	nA
THERMAL SHUT DOWN (TSD)						
$T_{(TSD)}$	TSD threshold, rising		157			$^{\circ}\text{C}$
$T_{(TSDhyst)}$	TSD hysteresis		10			$^{\circ}\text{C}$
MODE						
MODE_SEL	Thermal fault mode selection	MODE = 402 k Ω to RTN				Current limiting with latch
		MODE = Open				Circuit breaker mode with auto-retry
		MODE = Open (TPS26601 only)				Circuit breaker mode with latch
		MODE = Short to RTN				Current limiting with auto-retry

8.6 Timing Requirements

$-40^{\circ}\text{C} \leq T_A = T_J \leq +125^{\circ}\text{C}$, $V_{(IN)} = 24\text{ V}$, $V_{(\overline{\text{SHDN}})} = 2\text{ V}$, $R_{(ILIM)} = 120\text{ k}\Omega$, $\text{IMON} = \overline{\text{FLT}} = \text{OPEN}$, $C_{(OUT)} = 1\text{ }\mu\text{F}$, $C_{(dVdT)} = \text{OPEN}$.
 (All voltages referenced to GND, (unless otherwise noted))

			MIN	NOM	MAX	UNIT
IN AND UVLO INPUT						
$t_{UVLO_ON(dly)}$	UVLO turnon delay	UVLO \uparrow (100 mV above $V_{(UVLOR)}$) to $V_{(OUT)} = 100\text{ mV}$, $C_{(dVdT)} = \text{open}$		250		μs
		UVLO \uparrow (100 mV above $V_{(UVLOR)}$) to $V_{(OUT)} = 100\text{ mV}$, $C_{(dVdT)} \geq 10\text{ nF}$, [$C_{(dVdT)}$ in nF]		250 + 14.5 x $C_{(dVdT)}$		μs
$t_{UVLO_off(dly)}$	UVLO turnoff delay	UVLO \downarrow (100 mV below $V_{(UVLOF)}$) to $\overline{\text{FLT}}\downarrow$		10		μs
SHUTDOWN CONTROL INPUT ($\overline{\text{SHDN}}$)						
$t_{SD(dly)}$	SHUTDOWN exit delay	$\overline{\text{SHDN}}\uparrow$ to $V_{(OUT)} = 100\text{ mV}$, $C_{(dVdT)} \geq 10\text{ nF}$, [$C_{(dVdT)}$ in nF]		250 + 14.5 x $C_{(dVdT)}$		μs
		$\overline{\text{SHDN}}\uparrow$ to $V_{(OUT)} = 100\text{ mV}$, $C_{(dVdT)} = \text{open}$		250		μs
	SHUTDOWN entry delay	$\overline{\text{SHDN}}\downarrow$ (below $V_{(\text{SHUTF})}$) to $\overline{\text{FLT}}\downarrow$		10		μs
OVER VOLTAGE PROTECTION INPUT (OVP)						
$t_{OVP(dly)}$	OVP exit delay	OVP \downarrow (20 mV below $V_{(OVPR)}$) to $V_{(OUT)} = 100\text{ mV}$, TPS26600 & TPS26601 only		200		μs
	OVP disable delay	OVP \uparrow (20 mV above $V_{(OVPR)}$) to $\overline{\text{FLT}}\downarrow$, TPS26600 and TPS26601 only		6		μs
CURRENT LIMIT						
$t_{\text{FASTTRIP}(dly)}$	Fast-trip comparator delay	$I_{(OUT)} > I_{(\text{FASTTRIP})}$		250		ns
REVERSE PROTECTION COMPARATOR						
$t_{\text{REV}(dly)}$	Reverse protection comparator delay	$(V_{(IN)} - V_{(OUT)})\downarrow$ (100 mV overdrive below $V_{(\text{REVTH})}$) to internal FET turn OFF		1.5		μs
		$(V_{(IN)} - V_{(OUT)})\downarrow$ (10 mV overdrive below $V_{(\text{REVTH})}$) to $\overline{\text{FLT}}\downarrow$		45		
$t_{\text{FWD}(dly)}$		$(V_{(IN)} - V_{(OUT)})\uparrow$ (10 mV overdrive above $V_{(\text{FWDTH})}$) to $\overline{\text{FLT}}\uparrow$		70		
THERMAL SHUTDOWN						
t_{retry}	Retry delay in TSD			512		ms
OUTPUT RAMP CONTROL (dVdT)						
t_{dVdT}	Output ramp time	$\overline{\text{SHDN}}\uparrow$ to $V_{(OUT)} = 23.9\text{ V}$, with $C_{(dVdT)} = 47\text{ nF}$		10		ms
		$\overline{\text{SHDN}}\uparrow$ to $V_{(OUT)} = 23.9\text{ V}$, with $C_{(dVdT)} = \text{open}$		1.6		
FAULT FLAG ($\overline{\text{FLT}}$)						
$t_{\text{CB}(dly)}$	$\overline{\text{FLT}}$ assertion delay in circuit breaker mode	MODE = OPEN, delay from $I_{(OUT)} > I_{(OL)}$ to $\overline{\text{FLT}}\downarrow$		4		ms
$t_{\text{CBretry}(dly)}$	Retry delay in circuit breaker mode	MODE = OPEN		540		ms
t_{PGOODF}	PGOOD delay (de-g glitch) time	Falling edge		875		μs
t_{PGOODR}		Rising edge, $C_{(dVdT)} = \text{open}$		1400		
		Rising edge, $C_{(dVdT)} \geq 10\text{ nF}$, [$C_{(dVdT)}$ in nF]		875 + 20 x $C_{(dVdT)}$		

8.7 Typical Characteristics

$-40^{\circ}\text{C} \leq T_A = T_J \leq +125^{\circ}\text{C}$, $V_{(IN)} = 24\text{ V}$, $V_{(\overline{\text{SHDN}})} = 2\text{ V}$, $R_{(ILIM)} = 120\text{ k}\Omega$, $\overline{\text{IMON}} = \overline{\text{FLT}} = \text{OPEN}$, $C_{(OUT)} = 1\text{ }\mu\text{F}$, $C_{(dvdT)} = \text{OPEN}$.
(Unless stated otherwise)

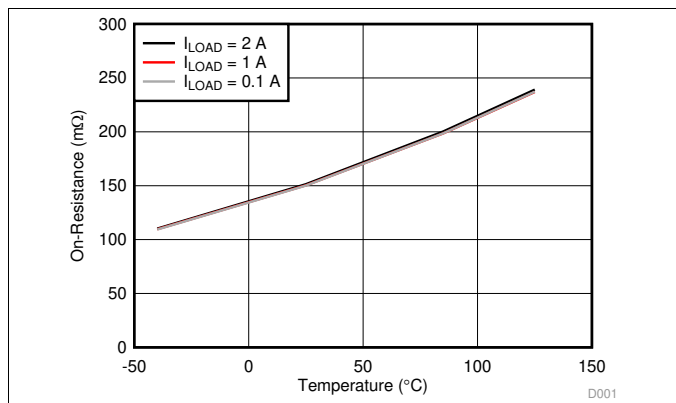


Figure 1. On-Resistance vs Temperature Across Load Current

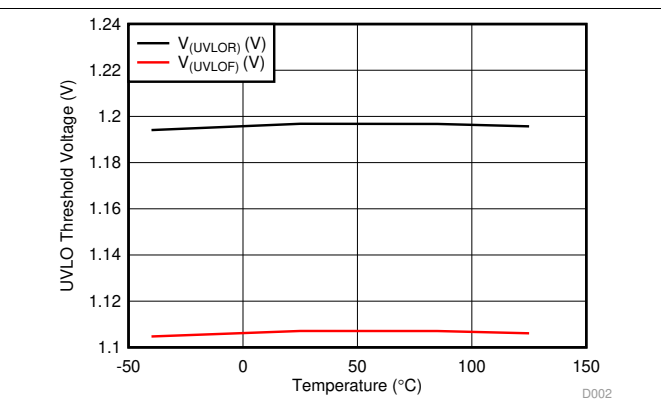


Figure 2. UVLO Threshold Voltage vs Temperature

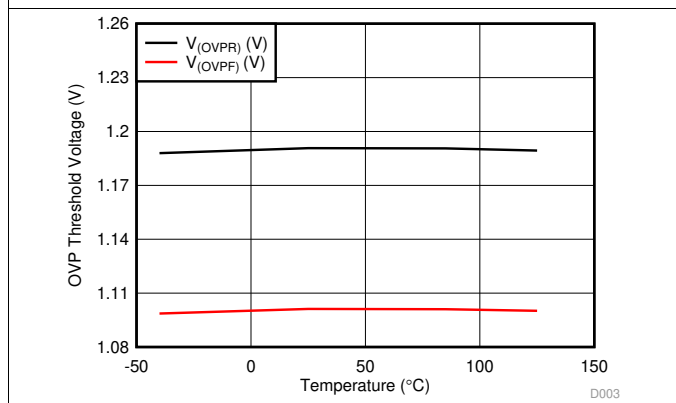


Figure 3. OVP Threshold Voltage vs Temperature

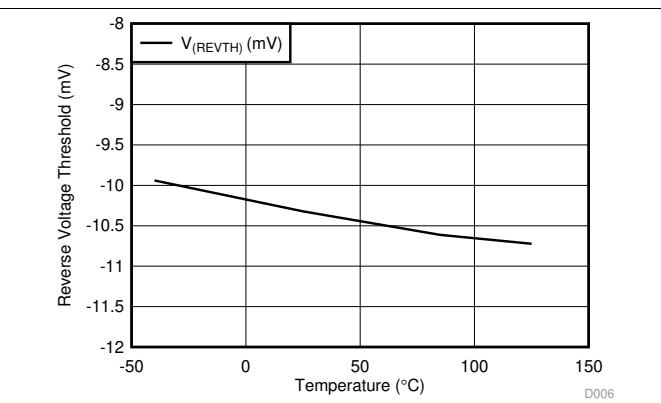


Figure 4. Reverse Voltage Threshold vs Temperature

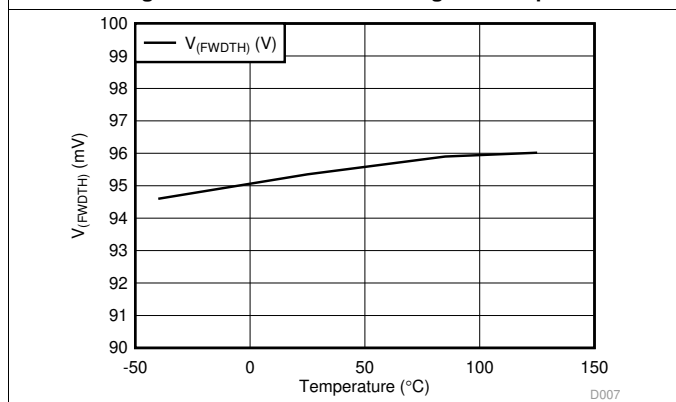


Figure 5. $V_{(FWDTH)}$ vs Temperature

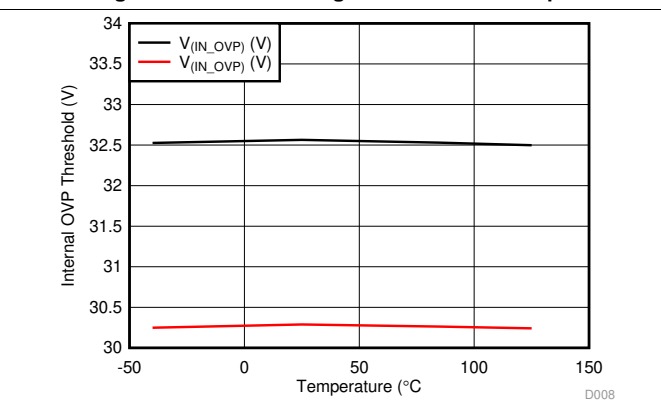


Figure 6. Internal OVP Threshold vs Temperature

Typical Characteristics (continued)

$-40^{\circ}\text{C} \leq T_A = T_J \leq +125^{\circ}\text{C}$, $V_{(IN)} = 24\text{ V}$, $V_{(SHDN)} = 2\text{ V}$, $R_{(ILIM)} = 120\text{ k}\Omega$, $IMON = \overline{FLT} = \text{OPEN}$, $C_{(OUT)} = 1\text{ }\mu\text{F}$, $C_{(dvdT)} = \text{OPEN}$.
(Unless stated otherwise)

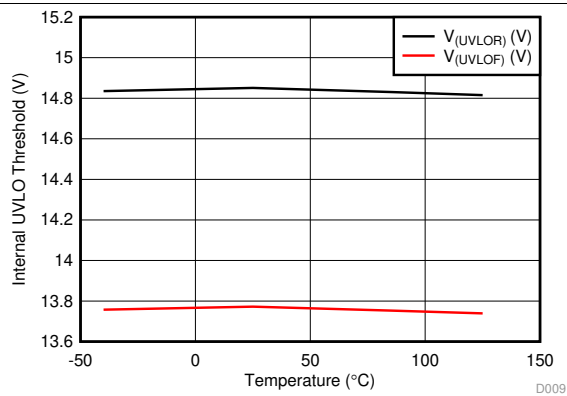


Figure 7. Internal UVLO Threshold vs Temperature

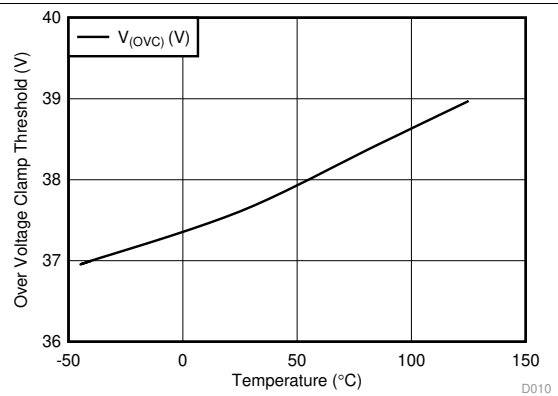


Figure 8. Overvoltage Clamp Threshold vs Temperature

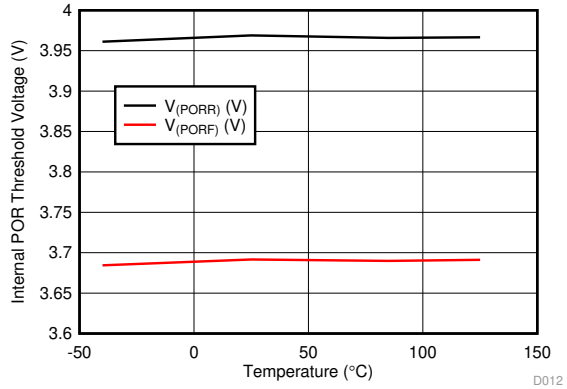


Figure 9. Internal POR Threshold Voltage vs Temperature

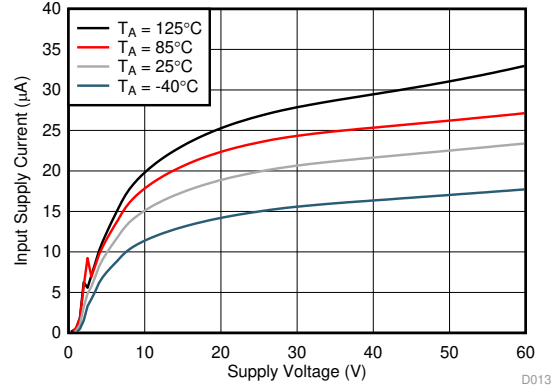


Figure 10. Input Supply Current vs Supply Voltage in Shutdown

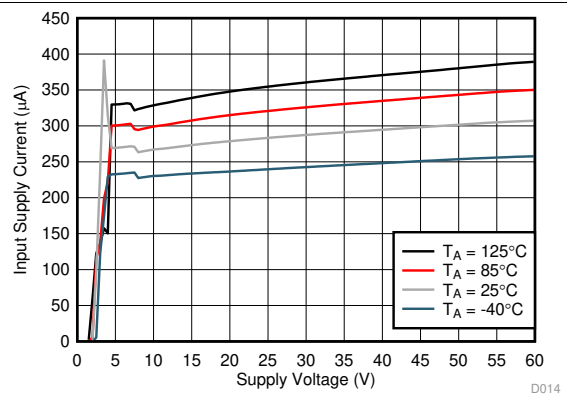


Figure 11. Input Supply Current vs Supply Voltage During Normal Operation

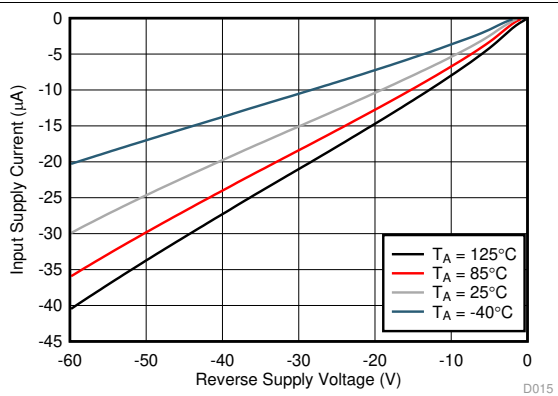


Figure 12. Input Supply Current vs Reverse Supply Voltage, $-V_{(IN)}$

$V_{(OUT)} = 0\text{ V}$

Typical Characteristics (continued)

$-40^{\circ}\text{C} \leq T_A = T_J \leq +125^{\circ}\text{C}$, $V_{(IN)} = 24\text{ V}$, $V_{(SHDN)} = 2\text{ V}$, $R_{(ILIM)} = 120\text{ k}\Omega$, $IMON = \overline{FLT} = \text{OPEN}$, $C_{(OUT)} = 1\text{ }\mu\text{F}$, $C_{(dVdT)} = \text{OPEN}$.
(Unless stated otherwise)

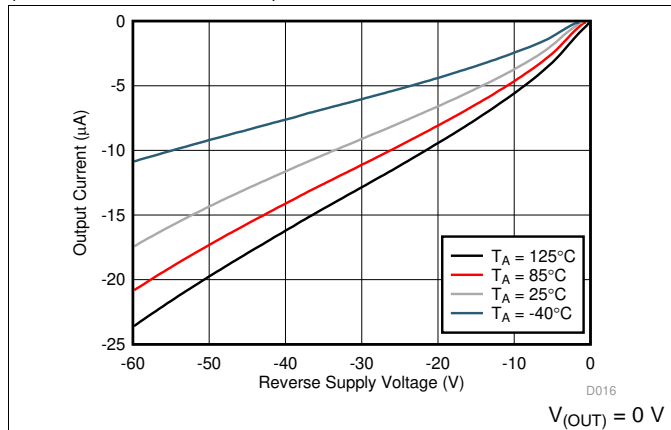


Figure 13. Output Current vs Reverse Supply Voltage, $-V_{(IN)}$

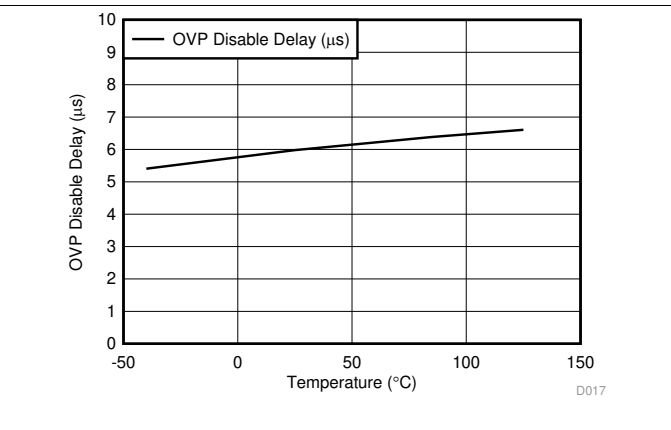


Figure 14. OVP Disable Delay vs Temperature

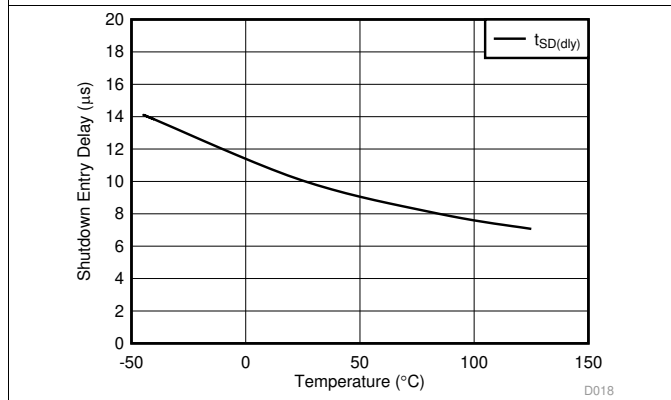


Figure 15. Shutdown Entry Delay vs Temperature

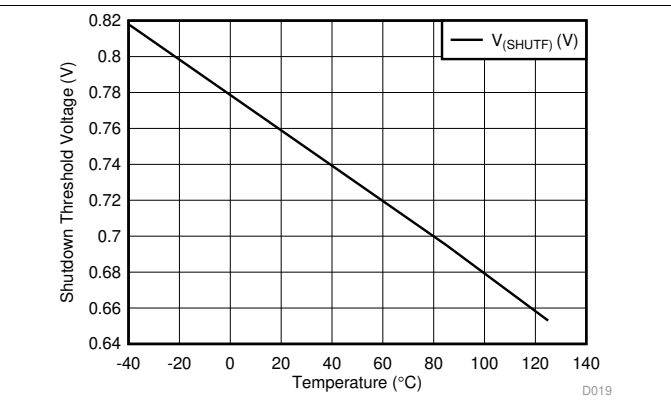


Figure 16. Shutdown Threshold Voltage Shutdown vs Temperature

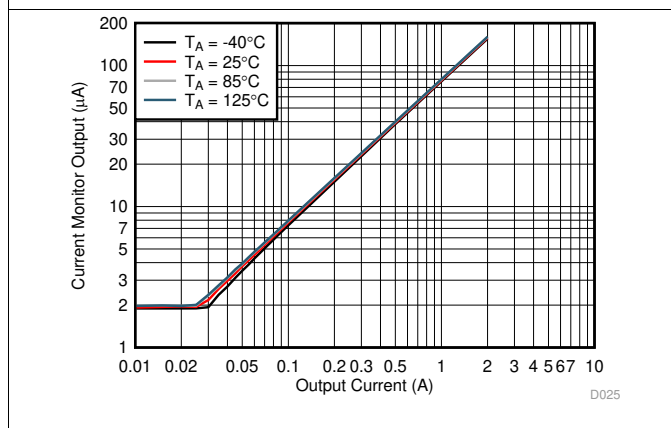


Figure 17. Current Monitor Output vs Output Current

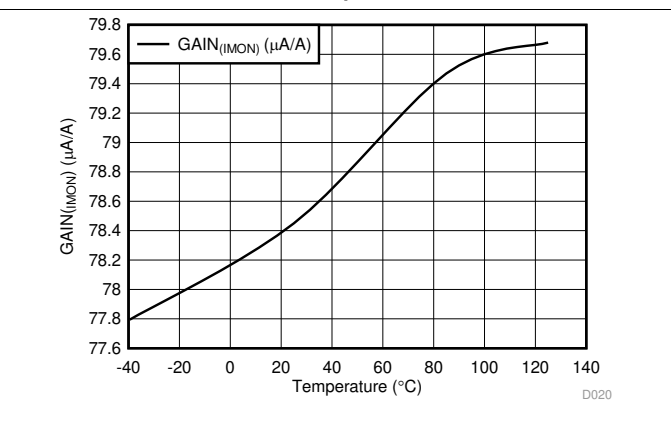


Figure 18. $GAIN_{(IMON)}$ vs Temperature

Typical Characteristics (continued)

$-40^{\circ}\text{C} \leq T_A = T_J \leq +125^{\circ}\text{C}$, $V_{(IN)} = 24\text{ V}$, $V_{(SHDN)} = 2\text{ V}$, $R_{(ILIM)} = 120\text{ k}\Omega$, $IMON = \overline{FLT} = \text{OPEN}$, $C_{(OUT)} = 1\text{ }\mu\text{F}$, $C_{(dVdT)} = \text{OPEN}$.
(Unless stated otherwise)

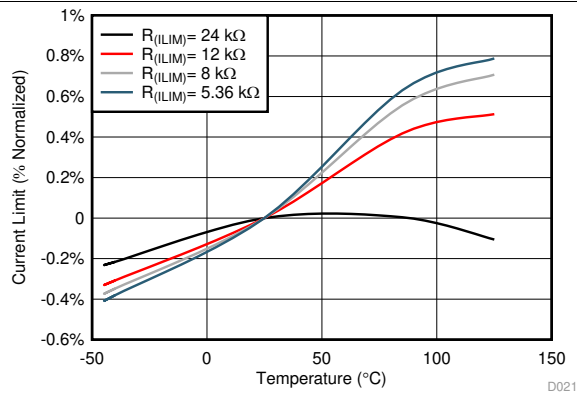


Figure 19. Current Limit (% Normalized) vs Temperature

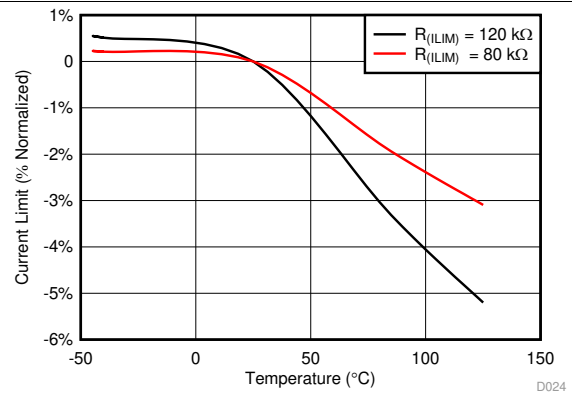


Figure 20. Current Limit (% Normalized) vs Temperature

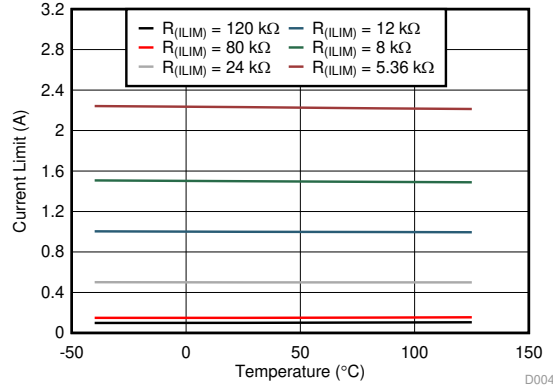


Figure 21. Over Load Current Limit vs Temperature

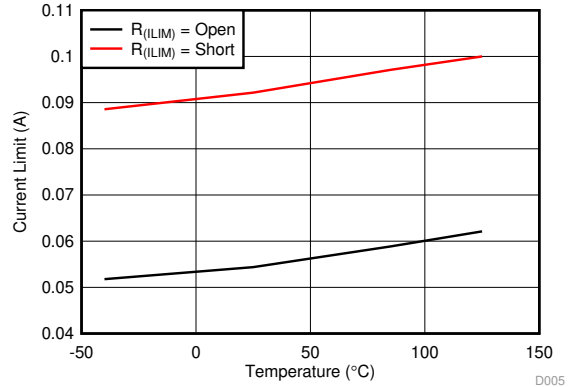


Figure 22. Current Limit for $R_{(ILIM)} = \text{Open}$ and Short vs Temperature

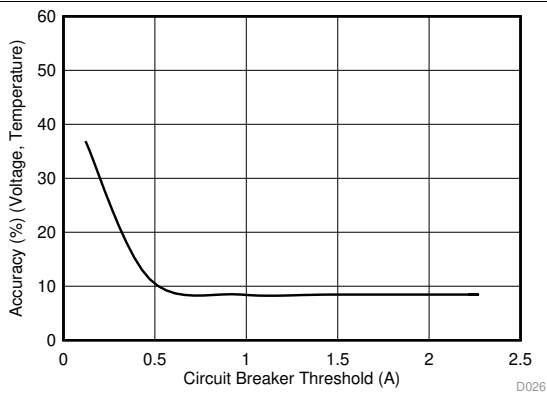


Figure 23. Circuit Breaker Threshold Accuracy vs Circuit Breaker Threshold $I_{(CB)}$

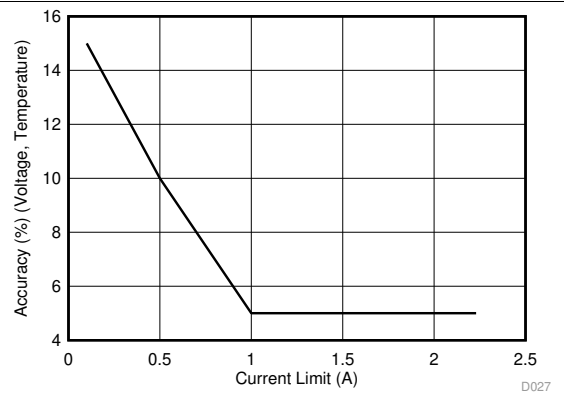


Figure 24. Current Limit Accuracy vs Current Limit, $I_{(OL)}$

Typical Characteristics (continued)

$-40^{\circ}\text{C} \leq T_A = T_J \leq +125^{\circ}\text{C}$, $V_{(IN)} = 24\text{ V}$, $V_{(SHDN)} = 2\text{ V}$, $R_{(ILIM)} = 120\text{ k}\Omega$, $IMON = \overline{FLT} = \text{OPEN}$, $C_{(OUT)} = 1\text{ }\mu\text{F}$, $C_{(dVdT)} = \text{OPEN}$.
(Unless stated otherwise)

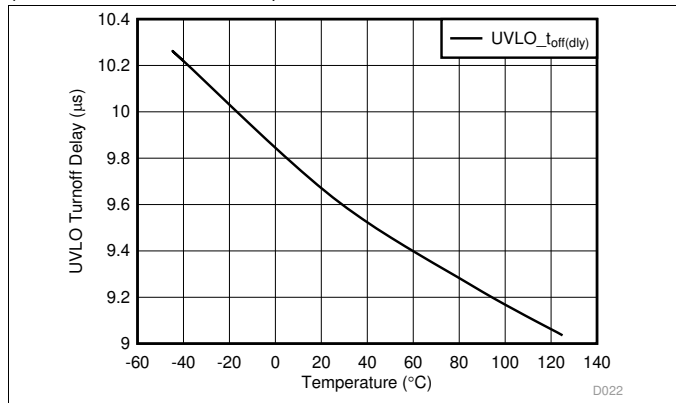
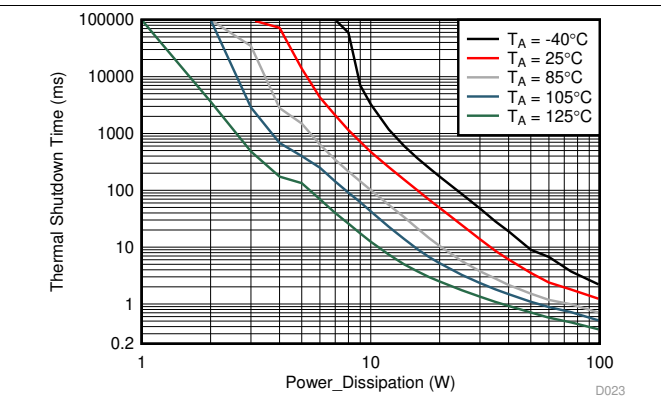
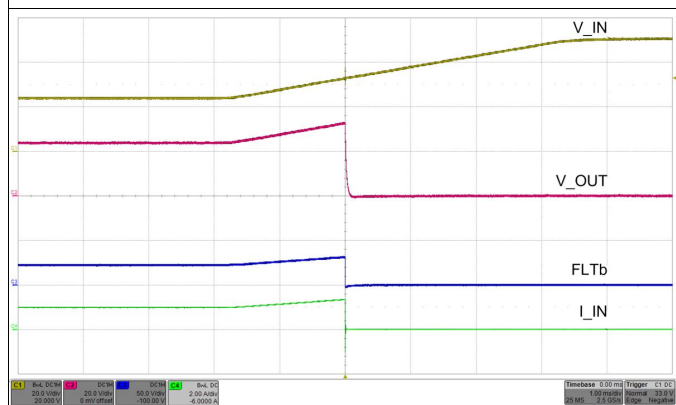


Figure 25. UVLO Turnoff Delay vs Temperature



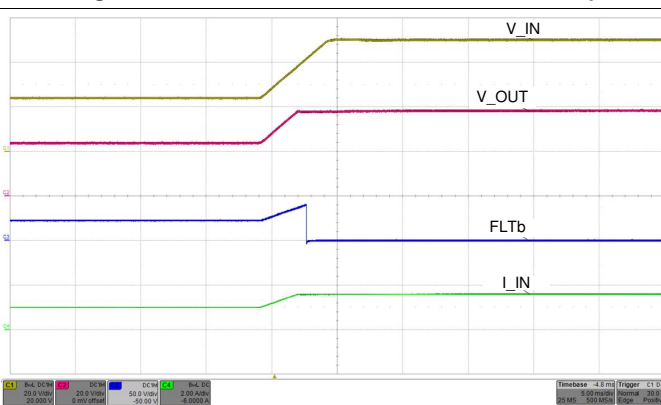
Taken on 2-Layer board, 2 oz.(0.08-mm thick) with HTSSOP device with RTN plane area: 1 cm² (Top) and 4.6 cm² (Bottom)

Figure 26. Thermal Shutdown Time vs Power Dissipation



$R_{ILIM} = 5.36\text{ k}\Omega$ OVP Connected to RTN $R_{FLTb} = 100\text{ k}\Omega$ $R_{LOAD} = 24\text{ }\Omega$

Figure 27. OVP Overvoltage Cut-Off Response



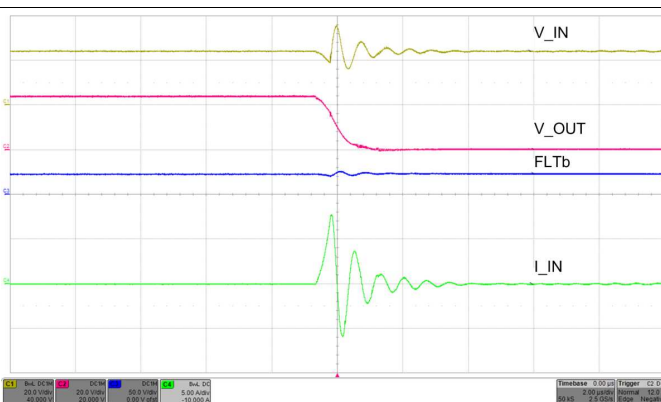
$R_{ILIM} = 5.36\text{ k}\Omega$ $R_{FLTb} = 100\text{ k}\Omega$ $R_{LOAD} = 24\text{ }\Omega$

Figure 28. OV Clamp Response (TPS26602 Only)



$R_{ILIM} = 5.36\text{ k}\Omega$ $R_{FLTb} = 100\text{ k}\Omega$

Figure 29. Hot-Short: Fast Trip Response and Current Regulation

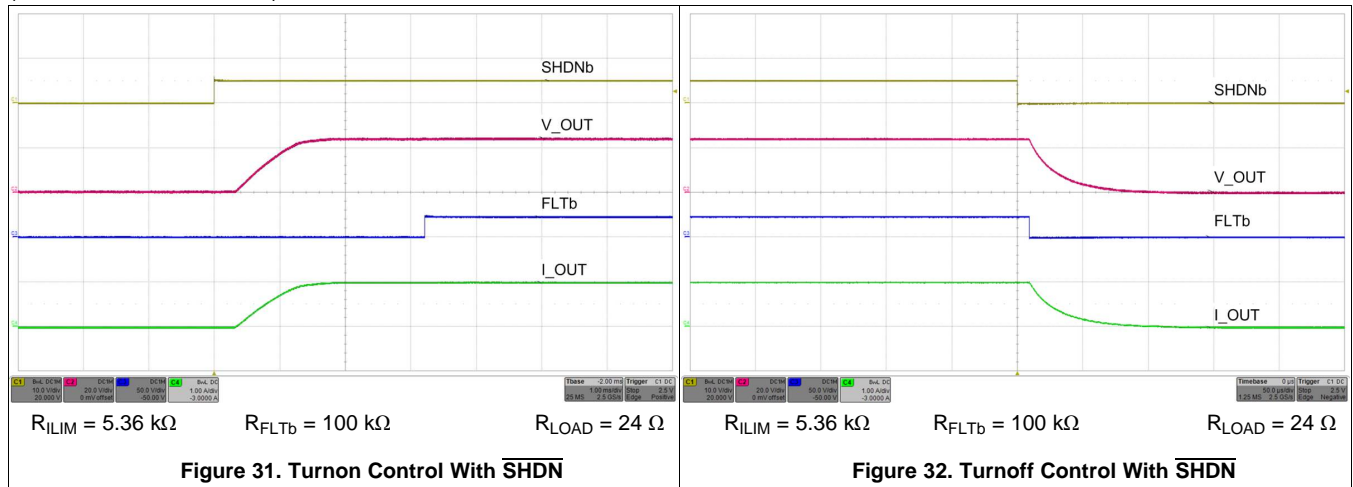


$R_{ILIM} = 5.36\text{ k}\Omega$

Figure 30. Hot-Short: Fast Trip Response (Zoomed)

Typical Characteristics (continued)

$-40^{\circ}\text{C} \leq T_A = T_J \leq +125^{\circ}\text{C}$, $V_{(IN)} = 24\text{ V}$, $V_{(\overline{\text{SHDN}})} = 2\text{ V}$, $R_{(ILIM)} = 120\text{ k}\Omega$, $\overline{\text{IMON}} = \overline{\text{FLT}} = \text{OPEN}$, $C_{(OUT)} = 1\text{ }\mu\text{F}$, $C_{(dVdT)} = \text{OPEN}$.
(Unless stated otherwise)



9 Parameter Measurement Information

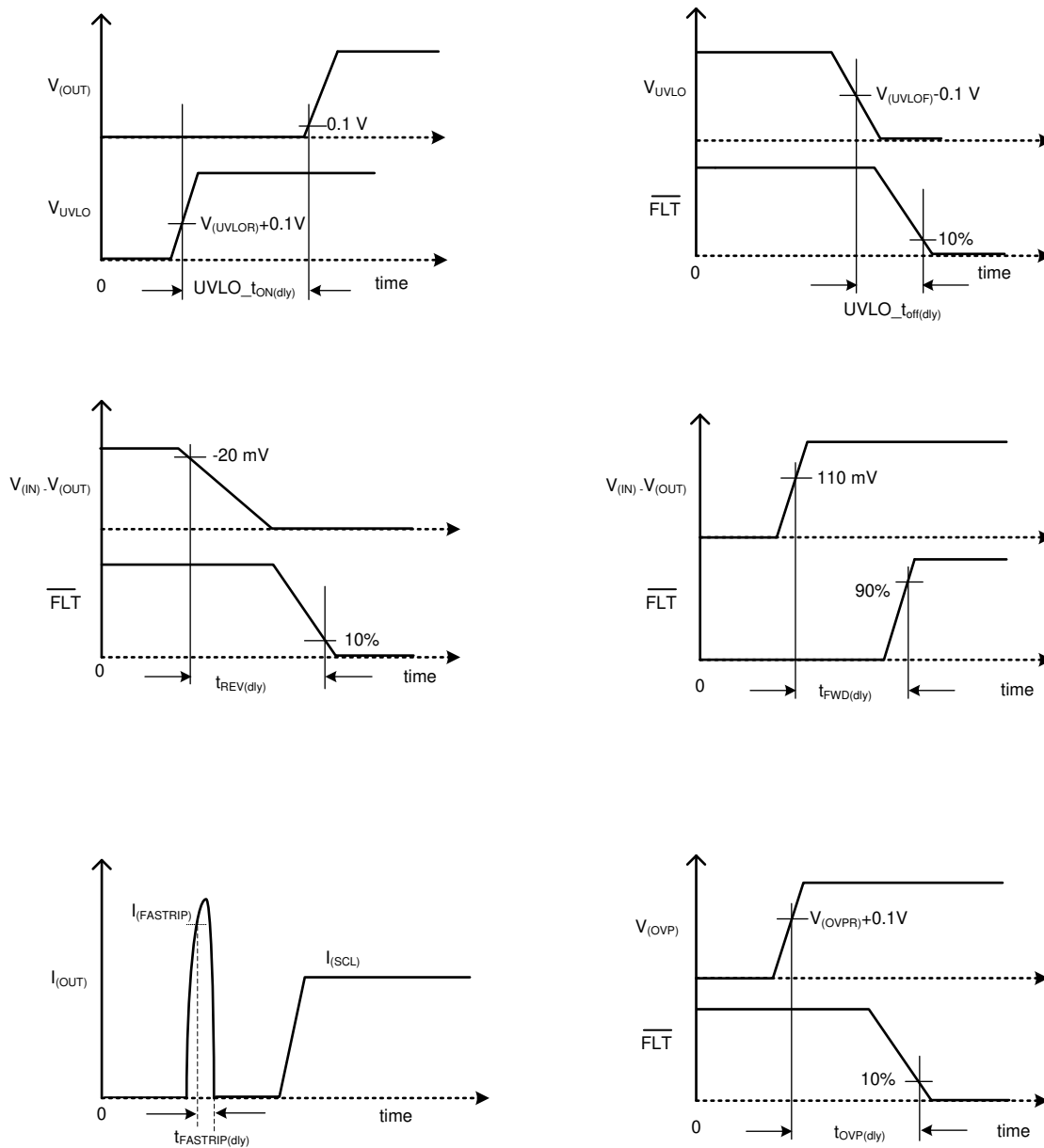


Figure 33. Timing Waveforms

10 Detailed Description

10.1 Overview

The TPS2660x is a family of high voltage industrial eFuses with integrated back-to-back MOSFETs and enhanced built-in protection circuitry. It provides robust protection for all systems and applications powered from 4.2 V to 60 V. The device can withstand ± 60 V positive and negative supply voltages without damage. For hot-pluggable boards, the device provides hot-swap power management with in-rush current control and programmable output voltage slew rate features. Load, source and device protections are provided with many programmable features including overcurrent, overvoltage, undervoltage. The precision overcurrent limit ($\pm 5\%$ at 1 A) helps to minimize over design of the input power supply, while the fast response short circuit protection 250 ns (typical) immediately isolates the faulty load from the input supply when a short circuit is detected.

The internal robust protection control blocks of the TPS2660x along with its ± 60 V rating helps to simplify the system designs for the surge compliance ensuring complete protection of the load and the device.

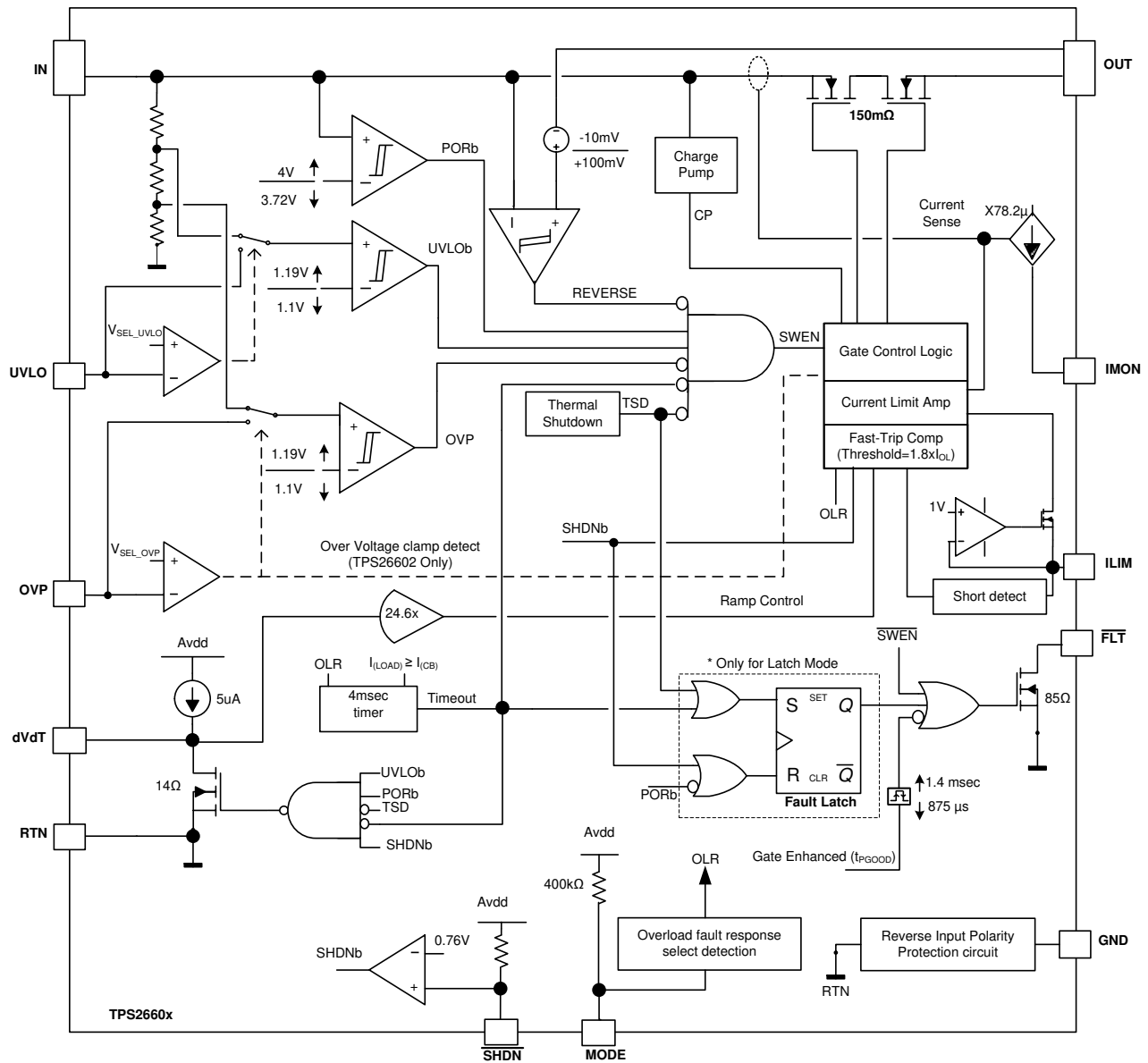
The device provides precise monitoring of voltage bus for brown-out and overvoltage conditions and asserts fault signal for the downstream system. The TPS2660x monitor functions threshold accuracy of $\pm 3\%$ ensures tight supervision of the supply bus, eliminating the need for a separate supply voltage supervisor chip.

The device monitors $V_{(IN)}$ and $V_{(OUT)}$ to provide true reverse current blocking when a reverse condition or input power failure condition is detected. The TPS2660x is also designed to control redundant power supply systems. A pair of TPS2660x devices can be configured for Active ORing between the main power supply and the auxiliary power supply, (see the [System Examples](#) section).

Additional features of the TPS2660x include:

- Current monitor output for health monitoring of the system
- Electronic circuit breaker operation with overload timeout using MODE pin
- A choice of latch off or automatic restart mode response during current limit fault using MODE pin
- Over temperature protection to safely shutdown in the event of an overcurrent event
- De-glitched fault reporting for brown-out and overvoltage faults
- Look ahead overload current fault indication (see the [Look Ahead Overload Current Fault Indicator](#) section)

10.2 Functional Block Diagram



10.3 Feature Description

10.3.1 Undervoltage Lockout (UVLO)

Undervoltage comparator input. When the voltage at UVLO pin falls below $V_{(UVLOF)}$ during input power fail or input undervoltage fault, the internal FET quickly turns off and FLT is asserted. The UVLO comparator has a hysteresis of 90 mV. To set the input UVLO threshold, connect a resistor divider network from IN supply to UVLO terminal to RTN as shown in Figure 34.

Feature Description (continued)

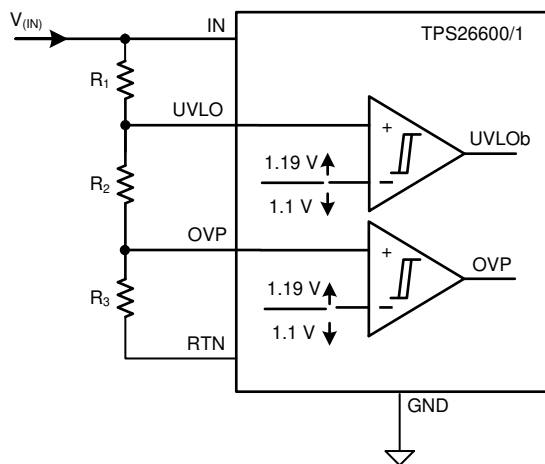


Figure 34. UVLO and OVP Thresholds Set by R₁, R₂ and R₃

The TPS2660x also features a factory set 15-V input supply undervoltage lockout $V_{(IN_UVLO)}$ threshold with 1 V hysteresis. This feature can be enabled by connecting the UVLO terminal directly to the RTN terminal. If the Under-Voltage Lock-Out function is not needed, the UVLO terminal must be connected to the IN terminal. UVLO terminal must not be left floating.

The device also implements an internal power ON reset (POR) function on the IN terminal. The device disables the internal circuitry when the IN terminal voltage falls below internal POR threshold $V_{(PORF)}$. The internal POR threshold has a hysteresis of 275 mV.

10.3.2 Overvoltage Protection (OVP)

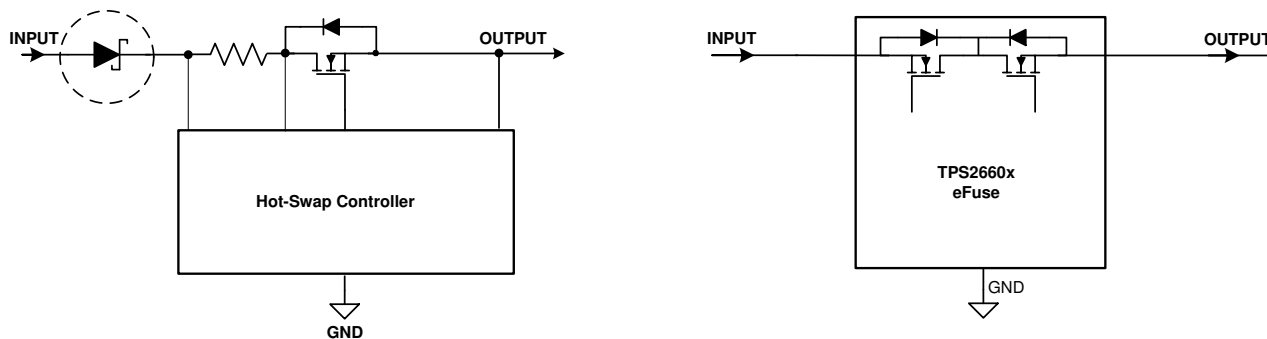
The TPS2660x incorporate circuitry to protect the system during overvoltage conditions. The TPS26600 and TPS26601 feature overvoltage cut off functionality. A voltage more than $V_{(OVPR)}$ on OVP pin turns off the internal FET and protects the downstream load. To program the OVP threshold externally, connect a resistor divider from IN supply to OVP terminal to RTN as shown in Figure 34. The TPS26600 and TPS26601 also feature a factory set 33-V Input overvoltage cut off $V_{(IN_OVP)}$ threshold with a 2-V hysteresis. This feature can be enabled by connecting the OVP terminal directly to the RTN terminal. Figure 27 illustrates the overvoltage cut-off functionality.

The TPS26602 features an internally fixed 38 V overvoltage clamp ($V_{(OVC)}$) functionality. The OVP terminal of the TPS26602 must be connected to the RTN terminal directly. The TPS26602 clamps the output voltage to $V_{(OVC)}$, when the input voltage exceeds 38 V. During the output voltage clamp operation, the power dissipation in the internal MOSFET is $P_D = (V_{IN} - V_{(OVC)}) \times I_{OUT}$. Excess power dissipation for prolonged period can make the device to enter into thermal shutdown. Figure 28 illustrates the overvoltage clamp functionality.

10.3.3 Reverse Input Supply Protection

To protect the electronic systems from reverse input supply due to miswiring, often a power component like a schottky diode is added in series with the supply line as shown in Figure 35. These additional discretes result in a lossy and bulky protection solution. The TPS2660x devices feature fully integrated reverse input supply protection and does not need an additional diode. These devices can withstand -60 V reverse voltage without damage. Figure 36 illustrates the reverse input polarity protection functionality.

Feature Description (continued)



Copyright © 2016, Texas Instruments Incorporated

Figure 35. Reverse Input Supply Protection Circuits - Discrete vs TPS2660x

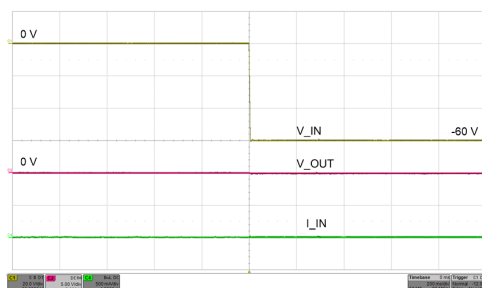


Figure 36. Reverse Input Supply Protection at -60 V

10.3.4 Hot Plug-In and In-Rush Current Control

The devices are designed to control the in-rush current upon insertion of a card into a live backplane or other "hot" power source. This limits the voltage sag on the backplane's supply voltage and prevents unintended resets of the system power. The controlled start-up also helps to eliminate conductive and radiative interferences. An external capacitor connected from the dVdT pin to RTN defines the slew rate of the output voltage at power-on as shown in Figure 37 and Figure 38.

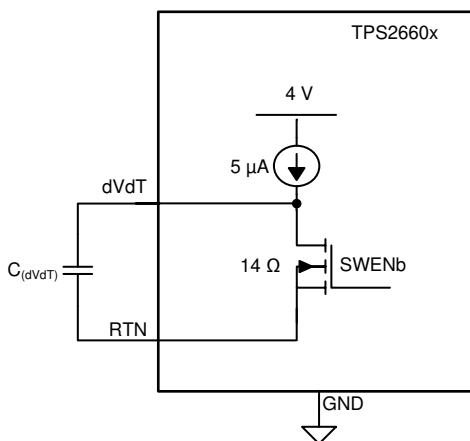


Figure 37. Output Ramp Up Time t_{dVdT} is Set by $C_{(dVdT)}$

Feature Description (continued)

The dVdT pin can be left floating to obtain a predetermined slew rate (t_{dVdT}) on the output. When the terminal is left floating, the devices set an internal output voltage ramp rate of 23.9 V/1.6 ms. A capacitor can be connected from dVdT pin to RTN to program the output voltage slew rate slower than 23.9 V/1.6 ms. Use Equation 1 and Equation 2 to calculate the external $C_{(dVdT)}$ capacitance.

Equation 1 governs slew rate at start-up.

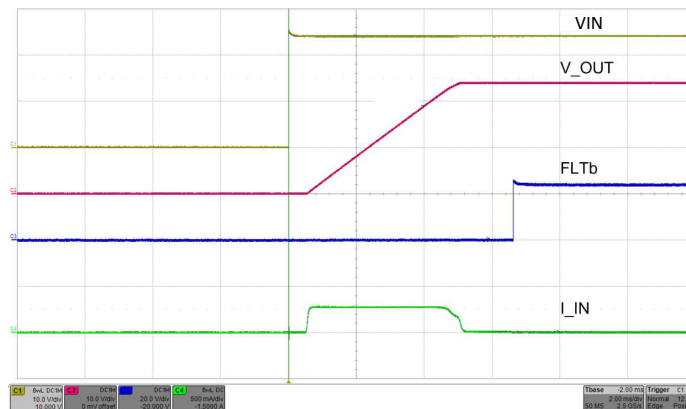
$$I_{(dVdT)} = \left(\frac{C_{(dVdT)}}{\text{Gain}_{(dVdT)}} \right) \times \left(\frac{dV_{(OUT)}}{dt} \right)$$

where

- $I_{(dVdT)} = 4.7 \mu\text{A}$ (typical)
- $\frac{dV_{(OUT)}}{dt}$
- $\text{Gain}_{(dVdT)} = \text{dVdT to } V_{OUT} \text{ gain} = 24.6$ (1)

The total ramp time (t_{dVdT}) of $V_{(OUT)}$ for 0 to $V_{(IN)}$ can be calculated using Equation 2.

$$t_{dVdT} = 8 \times 10^3 \times V_{(IN)} \times C_{(dVdT)} \tag{2}$$



$C_{dVdT} = 22 \text{ nF}$ $C_{OUT} = 47 \mu\text{F}$ $R_{LIM} = 5.36 \text{ k}\Omega$

Figure 38. Hot Plug-In and In-Rush Current Control at 24-V Input

10.3.5 Overload and Short Circuit Protection

The device monitors the load current by sensing the voltage across the internal sense resistor. The FET current is monitored during start-up and normal operation.

10.3.5.1 Overload Protection

The device offers following choices for the overload protection fault response:

- Active current limiting (Auto-retry/Latch-off modes)
- Electronic Circuit Breaker with overload timeout (Auto-retry/Latch-off modes)

See the configurations in Table 1 to select a specific overload fault response.

Table 1. Overload Fault Response Configuration Table

MODE Pin Configuration	Overload Protection Type	Device
Open	Electronic circuit breaker with auto-retry	TPS26600, TPS26602
	Electronic circuit breaker with latch-off	TPS26601

Feature Description (continued)

Table 1. Overload Fault Response Configuration Table (continued)

MODE Pin Configuration	Overload Protection Type	Device
Shorted to RTN	Active current limiting with auto-retry	TPS26600, TPS26601, TPS26602
A 402-kΩ resistor across MODE pin to RTN pin	Active current limiting with latch-off	TPS26600, TPS26601, TPS26602

10.3.5.1.1 Active Current Limiting

When the active current limiting mode is selected, during overload events, the device continuously regulates the load current to the overcurrent limit $I_{(OL)}$ programmed by the $R_{(ILIM)}$ resistor as shown in Equation 3.

$$I_{OL} = \frac{12}{R_{(ILIM)}}$$

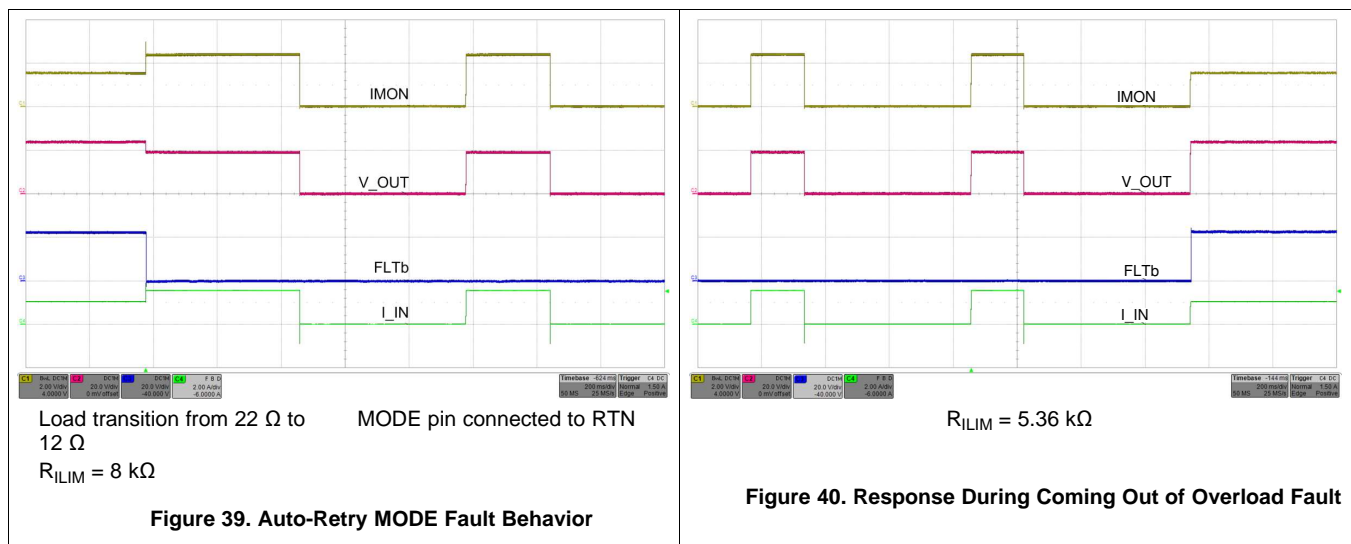
where

- $I_{(OL)}$ is the overload current limit in Ampere
- $R_{(ILIM)}$ is the current limit resistor in kΩ (3)

During an overload condition, the internal current-limit amplifier regulates the output current to $I_{(LIM)}$. The \overline{FLT} signal asserts after a delay of 875 μs. The output voltage droops during the current regulation, resulting in increased power dissipation in the device. If the device junction temperature reaches the thermal shutdown threshold ($T_{(TSD)}$), the internal FET is turn off. The device configured in latch-off mode stays latched off until it is reset by either of the following conditions:

- Cycling $V_{(IN)}$ below $V_{(PORF)}$
- Toggling \overline{SHDN}

Whereas the device configured in auto-retry mode, commences an auto-retry cycle 512 ms after $T_J < [T_{(TSD)} - 10^\circ\text{C}]$. The \overline{FLT} signal remains asserted until the fault condition is removed and the device resumes normal operation. Figure 39 and Figure 40 illustrates behavior of the system during current limiting with auto-retry functionality.



10.3.5.1.2 Electronic Circuit Breaker with Overload Timeout, MODE = OPEN

In this mode, during overload events, the device allows the overload current to flow through the device until $I_{(LOAD)} < I_{(FASTRIP)}$. The circuit breaker threshold $I_{(CB)}$ can be programmed using the $R_{(ILIM)}$ resistor as shown in Equation 4.

$$I_{(CB)} = \frac{12}{R_{(ILIM)}} + 0.03A$$

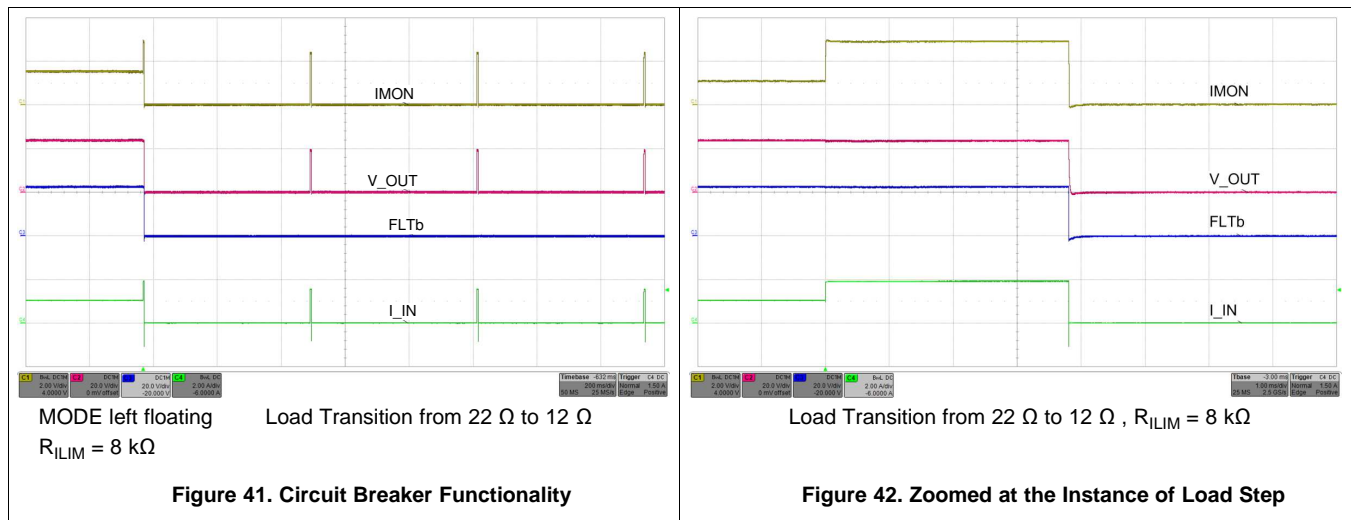
where

- $I_{(CB)}$ is circuit breaker current threshold in Ampere
 - $R_{(ILIM)}$ is the current limit resistor in $k\Omega$
- (4)

An internal timer starts when $I_{(CB)} < I_{LOAD} < I_{FASTRIP}$, and when the timer exceeds $t_{CB(dly)}$, the device turns OFF the internal FET and \overline{FLT} is asserted. Once the internal FET is turned off, the device configured in latch-off mode stays latched off, until it is reset by either of the following conditions:

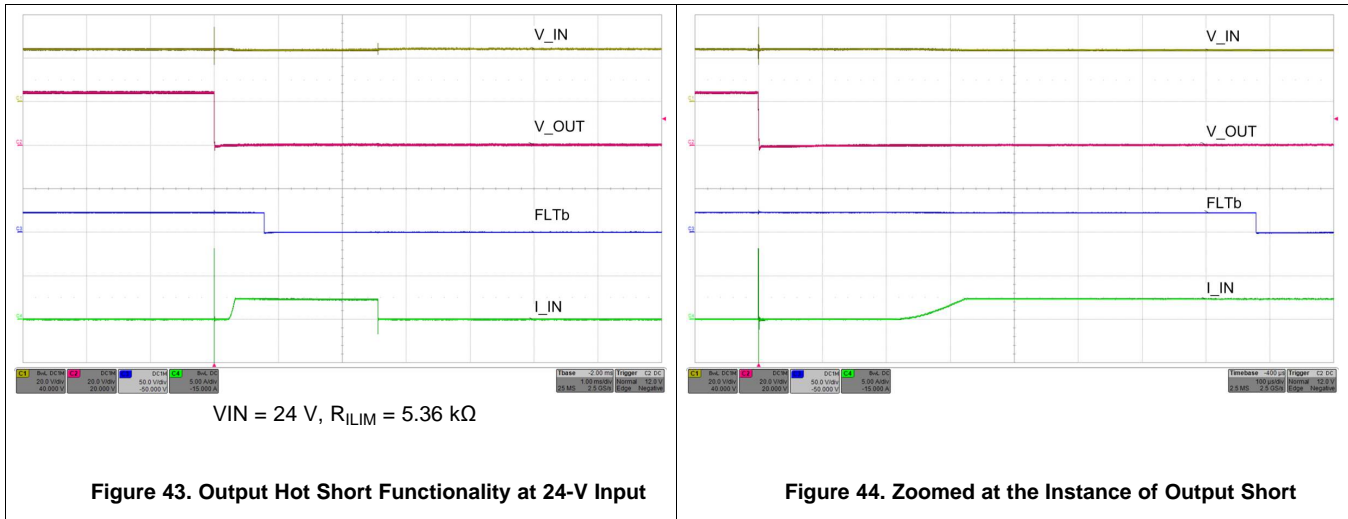
- Cycling $V_{(IN)}$ falling below $V_{(PORF)}$
- Toggling \overline{SHDN}

whereas the device configured in auto-retry mode, commences an auto-retry cycle after 540 ms. The \overline{FLT} signal remains asserted until the fault condition is removed and the device resumes normal operation. Figure 41 and Figure 42 illustrate behavior of the system during electronic circuit breaker with auto-retry functionality.



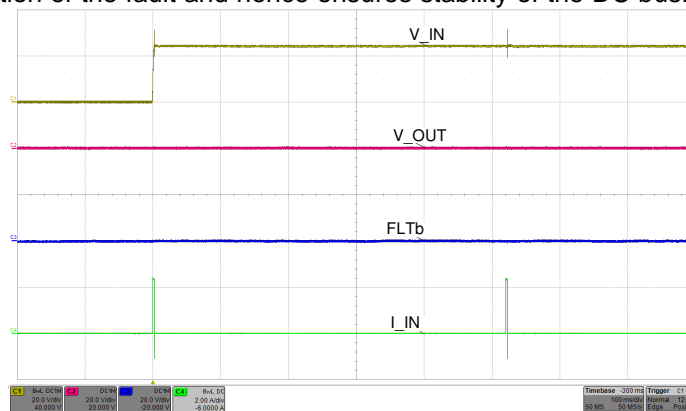
10.3.5.2 Short Circuit Protection

During a transient output short circuit event, the current through the device increases very rapidly. As the current-limit amplifier cannot respond quickly to this event due to its limited bandwidth, the device incorporates a fast-trip comparator, with a threshold $I_{(FASTRIP)}$. The fast-trip comparator turns off the internal FET within 250 ns (typical), when the current through the FET exceeds $I_{(FASTRIP)}$ ($I_{(OUT)} > I_{(FASTRIP)}$), and terminates the rapid short-circuit peak current. The fast-trip threshold is internally set to 87% higher than the programmed overload current limit ($I_{(FASTRIP)} = 1.87 \times I_{(OL)} + 0.015$). The fast-trip circuit holds the internal FET off for only a few microseconds, after which the device turns back on slowly, allowing the current-limit loop to regulate the output current to $I_{(OL)}$. Then, device behaves similar to overload condition. Figure 43 and Figure 44 illustrate the behavior of the system when the current exceeds the fast-trip threshold.



10.3.5.2.1 Start-Up With Short-Circuit On Output

When the device is started with short-circuit on the output, it limits the load current to the current limit $I_{(OL)}$ and behaves similar to the overload condition. Figure 45 illustrates the behavior of the device in this condition. This feature helps in quick isolation of the fault and hence ensures stability of the DC bus.



MODE pin connected to RTN
 VIN = 24 V R_{ILIM} = 5.36 kΩ
Figure 45. Start-Up With Short on Output

10.3.5.3 FAULT Response

The \overline{FLT} open-drain output asserts (active low) under following conditions:

- Fault events such as undervoltage, overvoltage, over load, reverse current and thermal shutdown conditions
- When the device enters low current shutdown mode when \overline{SHDN} is pulled low
- During start-up when the internal FET GATE is not fully enhanced

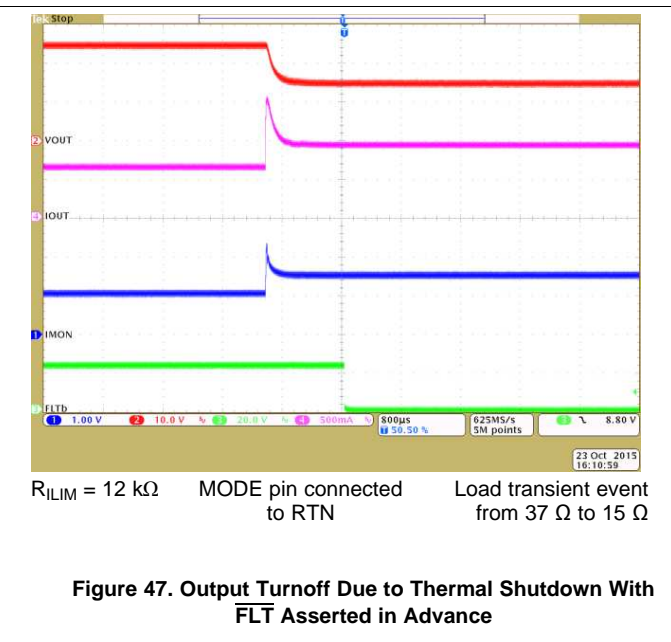
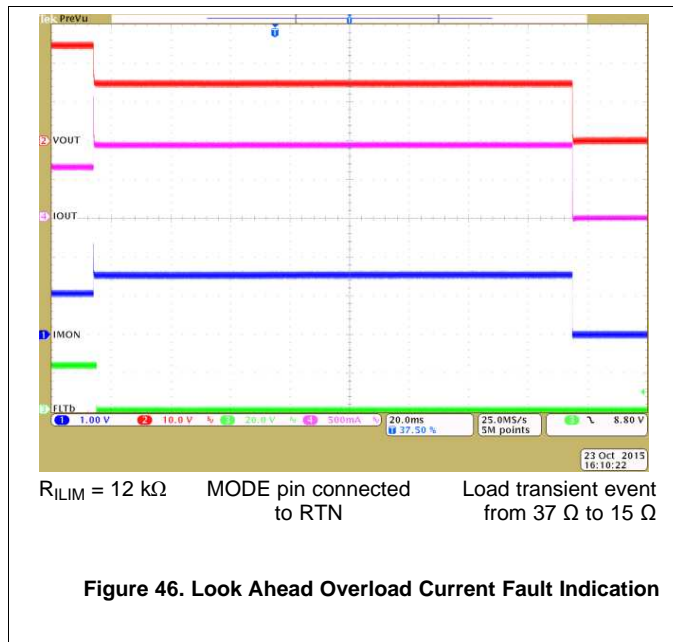
The device is designed to eliminate false reporting by using an internal "de-glitch" circuit for fault conditions without the need for an external circuitry.

The \overline{FLT} signal can also be used as Power Good indicator to the downstream loads like DC-DC converters. An internal Power Good (PGOOD) signal is OR'd with the fault logic. During start-up, when the device is operating in dVdT mode, PGOOD and FLT remains low and is de-asserted after the dVdT mode is completed and the internal FET is fully enhanced. The PGOOD signal has deglitch time incorporated to ensure that internal FET is fully enhanced before heavy load is applied by the downstream converters. Rising deglitch delay is determined by $t_{PGOOD(deg)} = \text{Maximum} \{ (875 + 20 \times C_{(dVdT)}), t_{PGOODR} \}$, where $C_{(dVdT)}$ is in nF and $t_{PGOOD(deg)}$ is in μs . \overline{FLT} can be left open or connected to RTN when not used. $V_{(IN)}$ falling below $V_{(PORF)} = 3.72 \text{ V}$ resets \overline{FLT} .

In case of reverse input polarity fault, care should be taken while interfacing $\overline{\text{FLT}}$ pin to the downstream I/O. Refer to the application report, *Fault Handling Using TPS2660 eFuse* for further information.

10.3.5.3.1 Look Ahead Overload Current Fault Indicator

With the device configured in current limit operation and when the overload condition exists for more than t_{PGOODF} , 875 μs (typical), the $\overline{\text{FLT}}$ asserts to warn of impending turnoff of the internal FETs due to the subsequent thermal shutdown event. Figure 46 and Figure 47 depict this behavior. The $\overline{\text{FLT}}$ signal remains asserted until the fault condition is removed and the device resumes normal operation.



10.3.5.4 Current Monitoring

The current source at IMON terminal is internally configured to be proportional to the current flowing from IN to OUT. This current can be converted into a voltage using a resistor $R_{(\text{IMON})}$ from IMON terminal to RTN terminal. The IMON voltage can be used as a means of monitoring current flow through the system. The maximum voltage range ($V_{(\text{IMONmax})}$) for monitoring the current is limited to minimum of ($[V_{(\text{IN})} - 1.5 \text{ V}, 4 \text{ V}]$) to ensure linear output. This puts a limitation on maximum value of $R_{(\text{IMON})}$ resistor and is determined by Equation 5.

$$R_{(\text{IMONmax})} = \frac{\text{Min} [(V_{(\text{IN})} - 1.5), 4 \text{ V}]}{1.8 \times I_{(\text{LIM})} \times \text{GAIN}_{(\text{IMON})}} \tag{5}$$

The output voltage at IMON terminal is calculated using Equation 6 and Equation 7.

For $I_{\text{OUT}} > 50 \text{ mA}$,

$$V_{(\text{IMON})} = [I_{(\text{OUT})} \times \text{GAIN}_{(\text{IMON})}] \times R_{(\text{IMON})}$$

Where,

- $\text{GAIN}_{(\text{IMON})}$ is the gain factor $I_{(\text{IMON})} : I_{(\text{OUT})} = 78.4 \mu\text{A/A}$ (Typical)
 - $I_{(\text{OUT})}$ is the load current
 - $I_{(\text{MON_OS})} = 2 \mu\text{A}$ (Typical)
- (6)

For $I_{\text{OUT}} < 50 \text{ mA}$ (typical), use Equation 7.

$$V_{(\text{IMON})} = (I_{(\text{MON_OS})}) \times R_{(\text{IMON})} \tag{7}$$

This pin must not have a bypass capacitor to avoid delay in the current monitoring information.

In case of reverse input polarity fault, an external 100-kΩ resistor is recommended between IMON pin and ADC input to limit the current through the ESD protection structures of the ADC.

10.3.5.5 IN, OUT, RTN, and GND Pins

The device has two pins for input (IN) and output (OUT). All IN pins must be connected together and to the power source. A ceramic bypass capacitor close to the device from IN to GND is recommended to alleviate bus transients. The recommended input operating voltage range is 4.2 to 60 V. Similarly all OUT pins must be connected together and to the load. $V_{(OUT)}$, in the ON condition, is calculated using Equation 8.

$$V_{(OUT)} = V_{(IN)} - (RON \times I_{(OUT)})$$

Where,

- RON is the total ON resistance of the internal FETs. (8)

GND pin must be connected to the system ground. RTN is the device ground reference for all the internal control blocks. Connect the TPS2660x support components: $R_{(ILIM)}$, $C_{(dVdT)}$, $R_{(IMON)}$, $R_{(MODE)}$ and resistors for UVLO and OVP with respect to the RTN pin. Internally, the device has reverse input polarity protection block between RTN and the GND terminal. Connecting RTN pin to GND pin disables the reverse input polarity protection feature and the TPS2660x gets permanently damaged when operated under this fault event.

10.3.5.6 Thermal Shutdown

The device has a built-in overtemperature shutdown circuitry designed to protect the internal FETs, if the junction temperature exceeds $T_{(TSD)}$. After the thermal shutdown event, depending upon the mode of fault response, the device either latches off or commences an auto-retry cycle 512 ms after $T_J < [T_{(TSD)} - 10^\circ\text{C}]$. During the thermal shutdown, the fault pin \overline{FLT} pulls low to indicate a fault condition.

10.3.5.7 Low Current Shutdown Control (\overline{SHDN})

The internal FETs and hence the load current can be switched off by pulling the \overline{SHDN} pin below 0.76 V threshold with a micro-controller GPIO pin or can be controlled remotely with an opto-isolator device as shown in Figure 48 and Figure 49. The device quiescent current reduces to 20 μA (typical) in shutdown state. To assert \overline{SHDN} low, the pull down must sink at least 10 μA at 400 mV. To enable the device, \overline{SHDN} must be pulled up to atleast 1 V. Once the device is enabled, the internal FETs turn on with dVdT mode.

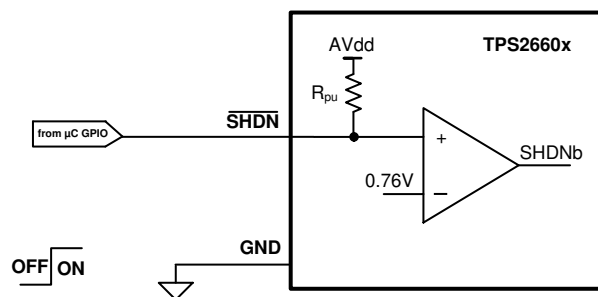


Figure 48. Shutdown Control

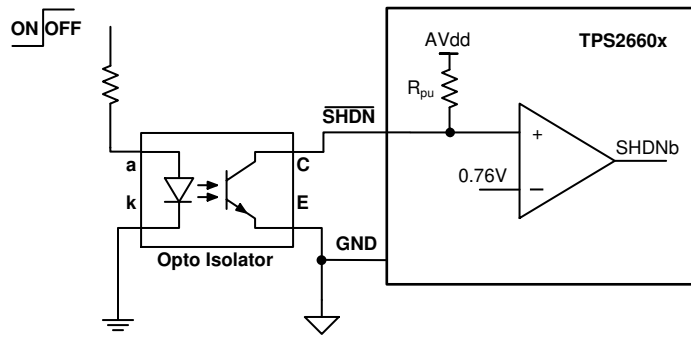


Figure 49. Opto-Isolator Shutdown Control

10.4 Device Functional Modes

The TPS26600, TPS26601 and TPS26602 respond differently to overload and short circuit conditions. The operational differences are explained in [Table 2](#).

Table 2. Device Operational Differences Under Different MODE Configurations

MODE Pin Configuration	MODE Connected to RTN (Current Limit With Auto-Retry)	A 402-kΩ Resistor Connected between MODE and RTN Pins (Current Limit With Latchoff)	MODE Pin = Open (Circuit Breaker with Auto-Retry - TPS26600 and TPS26602), (Circuit Breaker With Latch - TPS26601 Only)
Start-up	Inrush current controlled by dVdT		
	Inrush limited to $I_{(OL)}$ level as set by $R_{(ILIM)}$	Inrush limited to $I_{(OL)}$ level as set by $R_{(ILIM)}$	Inrush limited to $I_{(OL)}$ level as set by $R_{(ILIM)}$
			Fault timer runs when current is limited to $I_{(OL)}$
			Fault timer expires after $t_{CB(dly)}$ causing the FETs to turnoff
	If $T_J > T_{(TSD)}$, device turns off	If $T_J > T_{(TSD)}$, device turns off	Device turns off if $T_J > T_{(TSD)}$ before timer expires
Overcurrent response	Current is limited to $I_{(OL)}$ level as set by $R_{(ILIM)}$	Current is limited to $I_{(OL)}$ level as set by $R_{(ILIM)}$	Current is allowed through the device if $I_{(LOAD)} < I_{(FASTTRIP)}$
	Power dissipation increases as $V_{(IN)} - V_{(OUT)}$ increases	Power dissipation increases as $V_{(IN)} - V_{(OUT)}$ increases	Fault timer runs when the current increases above $I_{(OL)}$
			Fault timer expires after $t_{CB(dly)}$ causing the FETs to turnoff
	Device turns off when $T_J > T_{(TSD)}$	Device turns off when $T_J > T_{(TSD)}$	Device turns off if $T_J > T_{(TSD)}$ before timer expires
	Device attempts restart 540 ms after $T_J < [T_{(TSD)} - 10^\circ\text{C}]$	Device remains off	TPS26600 and TPS26602 attempt restart 540 ms after $T_J < [T_{(TSD)} - 10^\circ\text{C}]$. TPS26601 remains off
Short-circuit response	Fast turnoff when $I_{(LOAD)} > I_{(FASTTRIP)}$		
	Quick restart and current limited to $I_{(OL)}$, follows standard start-up		

11 Application and Implementation

NOTE

Information in the following applications sections is not part of the TI component specification, and TI does not warrant its accuracy or completeness. TI's customers are responsible for determining suitability of components for their purposes. Customers should validate and test their design implementation to confirm system functionality.

11.1 Application Information

The TPS2660x is an industrial eFuse, typically used for Hot-Swap and Power rail protection applications. It operates from 4.2 V to 60 V with programmable current limit, overvoltage, undervoltage and reverse polarity protections. The device aids in controlling in-rush current and provides robust protection against reverse current and filed miss-wiring conditions for systems such as PLCs, Industrial PCs, Control and Automation and Sensors. The device also provides robust protection for multiple faults on the system rail.

The [Detailed Design Procedure](#) section can be used to select component values for the device.

Alternatively, the [WEBENCH®](#) software may be used to generate a complete design. The WEBENCH® software uses an iterative design procedure and accesses a comprehensive database of components when generating a design. Additionally, a spreadsheet design tool [TPS2660x Design Calculator](#) is available in the web product folder.

11.2 Typical Application

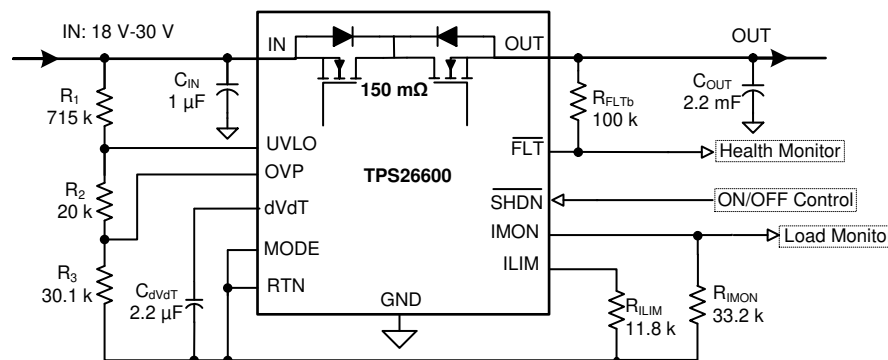


Figure 50. 24-V, 1-A eFuse Input Protection Circuit for Industrial PLC CPU

11.2.1 Design Requirements

Table 3 shows the Design Requirements for TPS2660x.

Table 3. Design Requirements

DESIGN PARAMETER		EXAMPLE VALUE
$V_{(IN)}$	Typical input voltage	24 V
$V_{(UV)}$	Undervoltage lockout set point	18 V
$V_{(OV)}$	Overvoltage cutoff set point	30 V
$R_{L(SU)}$	Load during start-up	48 Ω
$I_{(LIM)}$	Current limit	1 A
$C_{(OUT)}$	Load capacitance	2200 μ F
T_A	Maximum ambient temperature	85°C

11.2.2 Detailed Design Procedure

11.2.2.1 Step by Step Design Procedure

To begin the design process, the designer needs to know the following parameters:

- Input operating voltage range
- Maximum output capacitance
- Maximum current limit
- Load during start-up
- Maximum ambient temperature

This design procedure below seeks to control junction temperature of the device in both steady state and start-up conditions by proper selection of the output ramp-up time and associated support components. The designer can adjust this procedure to fit the application and design criteria.

11.2.2.2 Programming the Current-Limit Threshold— $R_{(ILIM)}$ Selection

The $R_{(ILIM)}$ resistor at the ILIM pin sets the over load current limit, this can be set using [Equation 9](#).

$$R_{(ILIM)} = \frac{12}{I_{LIM}} = 12k\Omega$$

where

- $I_{LIM} = 1A$ (9)

Choose the closest standard 1% resistor value : $R_{(ILIM)} = 11.8 k\Omega$

11.2.2.3 Undervoltage Lockout and Overvoltage Set Point

The undervoltage lockout (UVLO) and overvoltage trip point are adjusted using an external voltage divider network of R_1 , R_2 and R_3 connected between IN, UVLO, OVP and RTN pins of the device. The values required for setting the undervoltage and overvoltage are calculated by solving [Equation 10](#) and [Equation 11](#).

$$V_{(OVPR)} = \frac{R_3}{R_1 + R_2 + R_3} \times V_{(OV)} \tag{10}$$

$$V_{(UVLOR)} = \frac{R_2 + R_3}{R_1 + R_2 + R_3} \times V_{(UV)} \tag{11}$$

For minimizing the input current drawn from the power supply $\{I_{(R123)} = V_{(IN)}/(R_1+R_2+R_3)\}$, it is recommended to use higher value resistance for R_1 , R_2 and R_3 .

However, the leakage current due to external active components connected at resistor string can add error to these calculations. So, the resistor string current, $I_{(R123)}$ must be chosen to be 20x greater than the leakage current of UVLO and OVP pins.

From the device electrical specifications, $V_{(OVPR)} = 1.19 V$ and $V_{(UVLOR)} = 1.19 V$. From the design requirements, $V_{(OV)}$ is 30 V and $V_{(UV)}$ is 18 V. To solve the equation, first choose the value of $R_3 = 30.1 k\Omega$ and use [Equation 10](#) to solve for $(R_1 + R_2) = 728.7 k\Omega$. Use [Equation 11](#) and value of $(R_1 + R_2)$ to solve for $R_2 = 20.05 k\Omega$ and finally $R_1 = 708.6 k\Omega$.

Choose the closest standard 1% resistor values: $R_1 = 715 k\Omega$, $R_2 = 20 k\Omega$, and $R_3 = 30.1 k\Omega$.

The UVLO and the OVP pins can also be connected to the RTN pin to enable the internal default $V_{(OV)} = 33 V$ and $V_{(UV)} = 15 V$.

The power failure is detected on falling edge of the supply. This threshold voltage is 7.5% lower than the rising threshold, $V_{(UV)}$. The voltage at which the device detects power fail can be calculated using [Equation 12](#).

$$V_{(PFAIL)} = 0.925 \times V_{(UV)} \tag{12}$$

11.2.2.4 Programming Current Monitoring Resistor— R_{IMON}

The voltage at IMON pin $V_{(IMON)}$ represents the voltage proportional to the load current. This can be connected to an ADC of the downstream system for health monitoring of the system. The $R_{(IMON)}$ must be configured based on the maximum input voltage range of the ADC used. $R_{(IMON)}$ is set using Equation 13.

$$R_{(IMON)} = \frac{V_{(IMONmax)}}{I_{(LIM)} \times 75 \times 10^{-6}} \quad (13)$$

For $I_{(LIM)} = 1 \text{ A}$, and considering the operating voltage range of ADC from 0 V to 2.5 V, $V_{(IMONmax)}$ is 2.5 V and $R_{(IMON)}$ is determined by Equation 14.

$$R_{(IMON)} = \frac{2.5}{1 \times 75 \times 10^{-6}} = 33.3 \text{ k}\Omega \quad (14)$$

Selecting the $R_{(IMON)}$ value less than determined ensures that ADC limits are not exceeded for maximum value of the load current. Choose the closest standard 1% resistor value : $R_{(IMON)} = 33.2 \text{ k}\Omega$.

If current monitoring up to $I_{(FASTRIP)}$ is desired, $R_{(IMON)}$ can be reduced by a factor of 1.8 as shown Equation 5.

11.2.2.5 Setting Output Voltage Ramp Time—(t_{dVdT})

For a successful design, the junction temperature of the device must be kept below the absolute-maximum rating during dynamic (start-up) and steady state conditions. The dynamic power dissipation is often an order magnitude greater than the steady state power dissipation. It is important to determine the right start-up time and the in-rush current limit for the system to avoid thermal shutdown during start-up with and without load.

The ramp-up capacitor $C_{(dVdT)}$ is calculated considering the two possible cases:

11.2.2.5.1 Case 1: Start-Up Without Load—Only Output Capacitance $C_{(OUT)}$ Draws Current During Start-Up

During start-up, as the output capacitor charges, the voltage difference across the internal FET decreases, and the power dissipation decreases. Typical ramp-up of the output voltage, inrush current and instantaneous power dissipated in the device during start-up are shown in Figure 51. The average power dissipated in the device during start-up is equal to the area of triangular plot (red curve in Figure 52) averaged over t_{dVdT} .

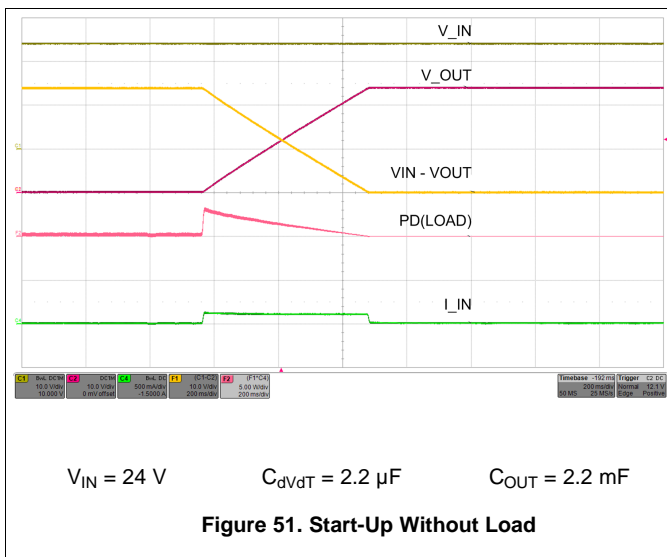


Figure 51. Start-Up Without Load

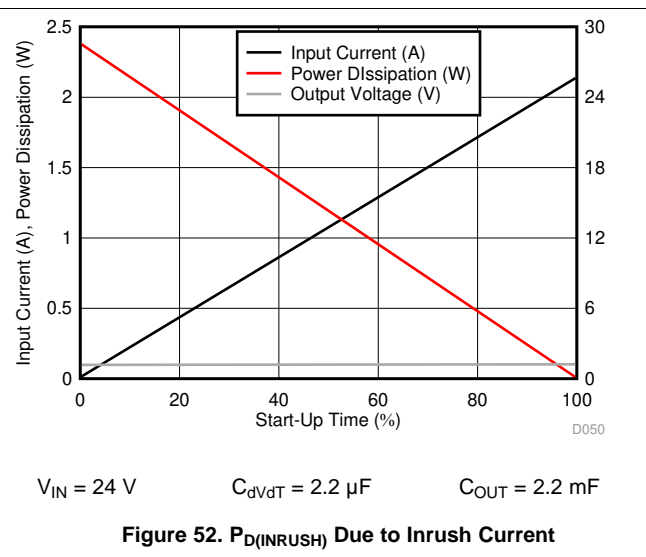


Figure 52. $P_{D(INRUSH)}$ Due to Inrush Current

The inrush current is determined as shown in Equation 15.

$$I = C \times \frac{dV}{dT} \geq I_{(INRUSH)} = C_{(OUT)} \times \frac{V_{(IN)}}{t_{dVdT}} \quad (15)$$

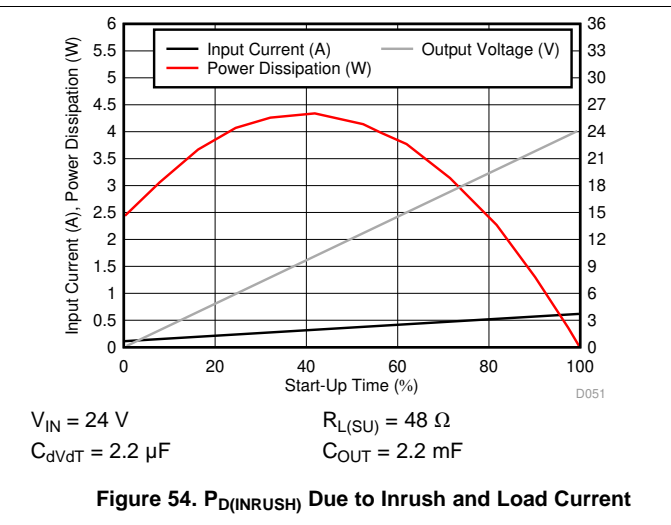
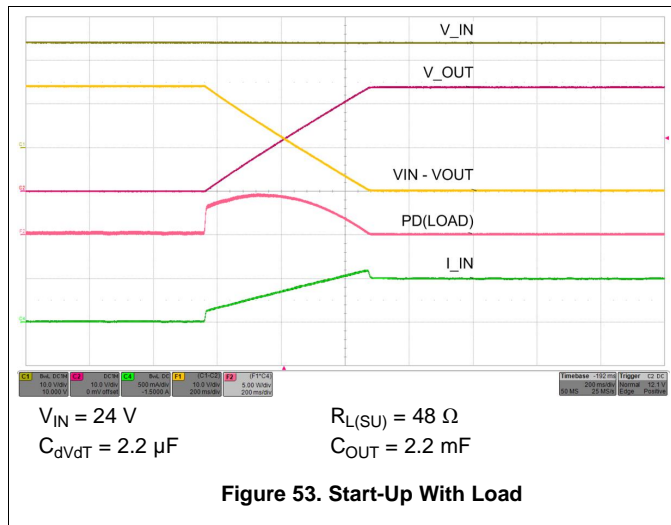
Average power dissipated during start-up is given by Equation 16.

$$P_{D(INRUSH)} = 0.5 \times V_{(IN)} \times I_{(INRUSH)} \tag{16}$$

Equation 16 assumes that the load does not draw any current until the output voltage reaches its final value.

11.2.2.5.2 Case 2: Start-Up With Load—Output Capacitance $C_{(OUT)}$ and Load Draws Current During Start-Up

When the load draws current during the turnon sequence, additional power is dissipated in the device. Considering a resistive load $R_{L(SU)}$ during start-up, typical ramp-up of output voltage, load current and the instantaneous power dissipation in the device are shown in Figure 53. Instantaneous power dissipation with respect to time is plotted in Figure 54. The additional power dissipation during start-up is calculated using Equation 17.



$$P_{D(Load)} = \frac{1}{6} \times \frac{V_{(IN)}^2}{R_{L(SU)}} \tag{17}$$

Total power dissipated in the device during start-up is given by Equation 18.

$$P_{D(STARTUP)} = P_{D(INRUSH)} + P_{D(Load)} \tag{18}$$

Total current during start-up is given by Equation 19.

$$I_{(STARTUP)} = I_{(INRUSH)} + I_{L(t)} \tag{19}$$

For the design example under discussion,

Select the inrush current $I_{(INRUSH)} = 0.1$ A and calculate t_{dVdT} using Equation 20.

$$t_{(dVdT)} = 2.2m \times \frac{24}{0.1} = 0.528s \tag{20}$$

For a given start-up time, C_{dVdT} capacitance value is calculated using Equation 21.

$$C_{(dVdT)} = \frac{t_{(dVdT)}}{8 \times 10^3 \times V_{(IN)}} = 2.7\mu F$$

where

- $t_{(dVdT)} = 0.528$ s
 - $V_{(IN)} = 24$ V
- (21)

Choose the closest standard value: 2.2- μ F/16-V capacitor.

The inrush power dissipation is calculated, using Equation 22.

$$P_{D(INRUSH)} = 0.5 \times V_{(IN)} \times I_{(INRUSH)} = 1.2W$$

where

- $V_{(IN)} = 24 V$
 - $I_{(INRUSH)} = 0.1 A$
- (22)

Considering the start-up with 48-Ω load, the additional power dissipation, is calculated using Equation 23.

$$P_{D(LOAD)} = \left(\frac{1}{6}\right) \times \frac{V_{(IN)}^2}{R_{L(SU)}} = 2 W$$

where

- $V_{(IN)} = 24 V$
 - $R_{L(SU)} = 48 \Omega$
- (23)

The total device power dissipation during start-up is given by Equation 24.

$$P_{D(STARTUP)} = P_{D(INRUSH)} + P_{D(LOAD)} = 3.2W$$

where

- $P_{D(INRUSH)} = 1.2 W$
 - $P_{D(LOAD)} = 2 W$
- (24)

The power dissipation with or without load, for a selected start-up time must not exceed the thermal shutdown limits as shown in Figure 55.

From the thermal shutdown limit graph, at $T_A = 85^\circ C$, thermal shutdown time for 3.2 W is close to 28000 ms. It is safe to have a minimum 30% margin to allow for variation of the system parameters such as load, component tolerance, input voltage and layout. Selected 2.2-μF C_{dVdT} capacitor and 528-ms start-up time (t_{dVdT}) are within limit for successful start-up with 48-Ω load.

Higher value $C_{(dVdT)}$ capacitor can be selected to further reduce the power dissipation during start-up.

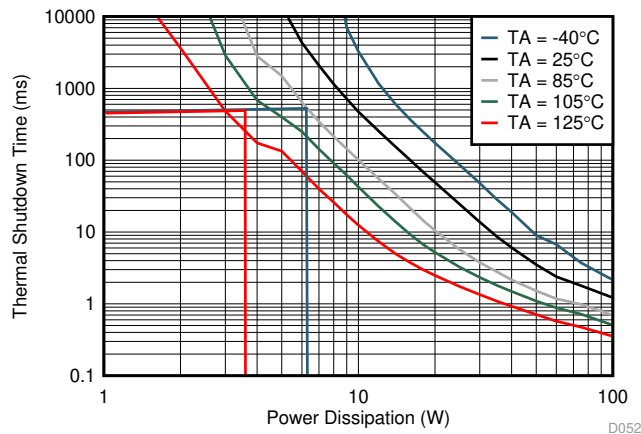


Figure 55. Thermal Shutdown Time vs Power Dissipation

11.2.2.5.3 Support Component Selections— R_{FLTb} and $C_{(IN)}$

The R_{FLTb} serves as pull-up for the open-drain fault output. The current sink by this pin must not exceed 10 mA (see the [Absolute Maximum Ratings](#) table). Typical resistance value in the range of 10 kΩ to 100 kΩ is recommended for R_{FLTb} . The C_{IN} is a local bypass capacitor to suppress noise at the input. Typical capacitance value in the range of 0.1 μF to 1 μF is recommended for $C_{(IN)}$.

11.2.3 Application Curves

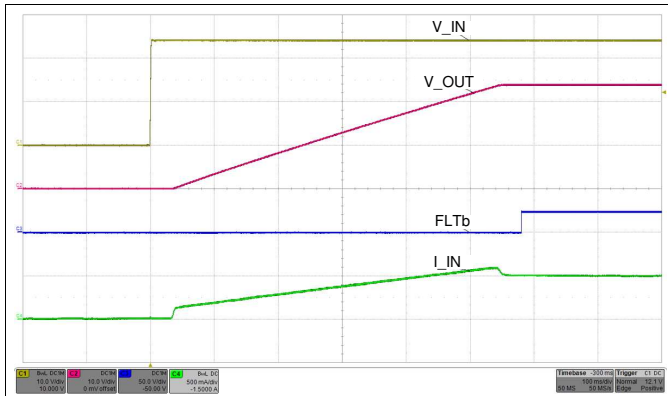


Figure 56. Start-Up With VIN—48-Ω Load

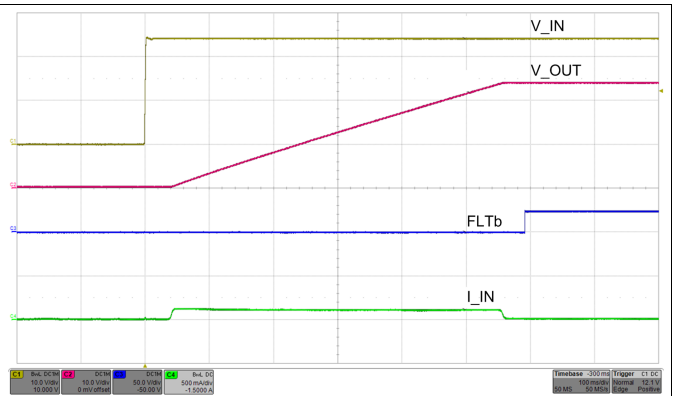


Figure 57. Start-Up With VIN—No Load

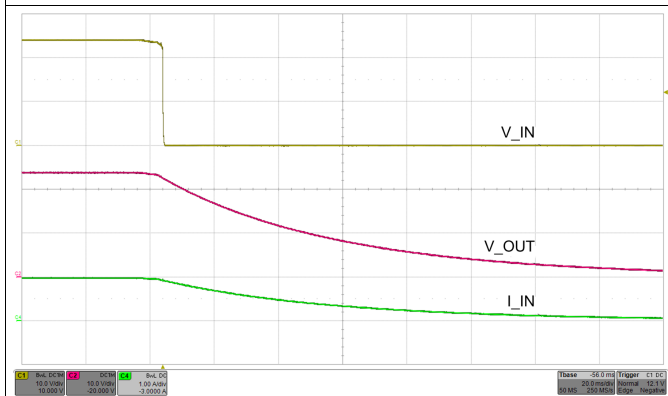


Figure 58. Power Fail With 24-Ω Load—Supports 1-A Load for 10-ms Power Fail

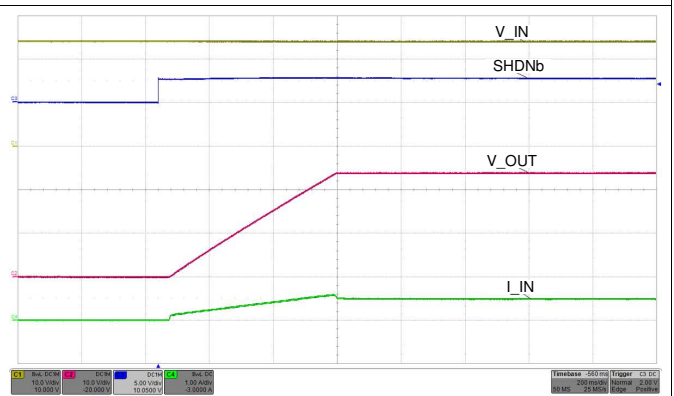


Figure 59. Start-Up With Shutdown Pin—48-Ω Load

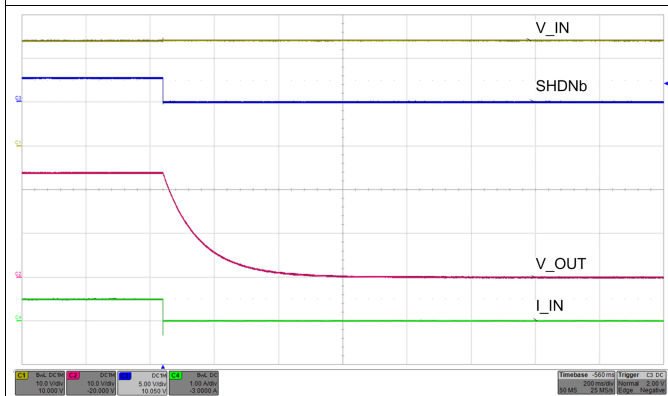


Figure 60. Power Down With Shutdown Pin—48-Ω Load

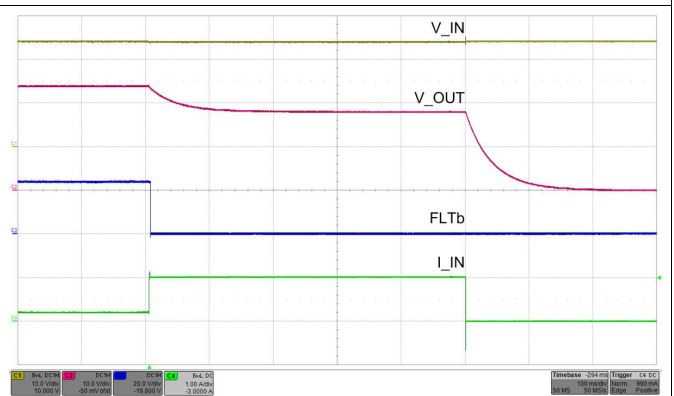
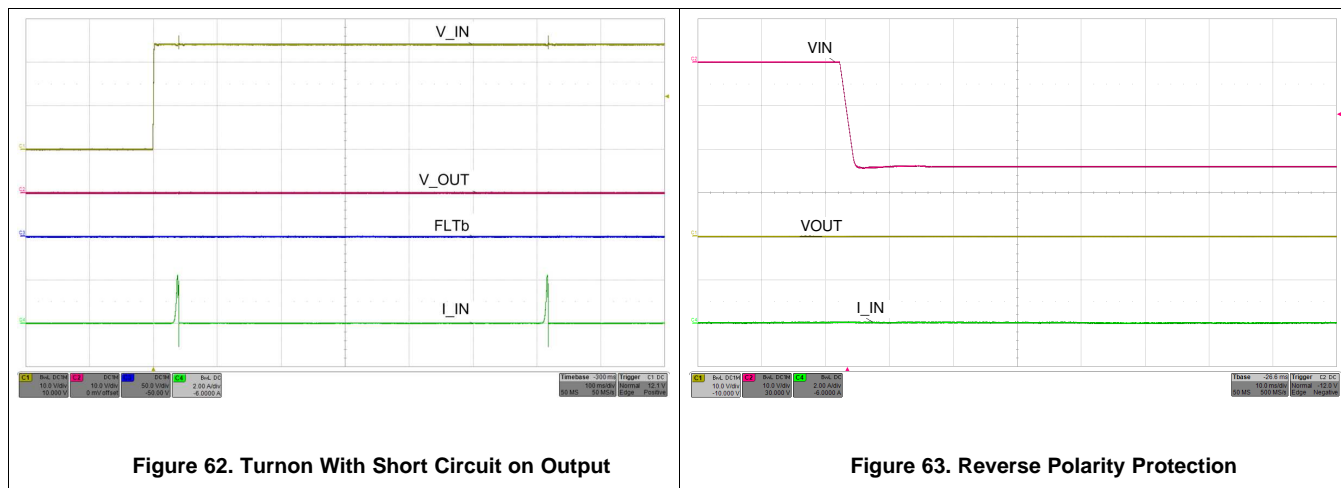


Figure 61. Over Load Response—Load Stepped from 100-Ω to 18-Ω Load



11.3 System Examples

11.3.1 Active ORing Operation

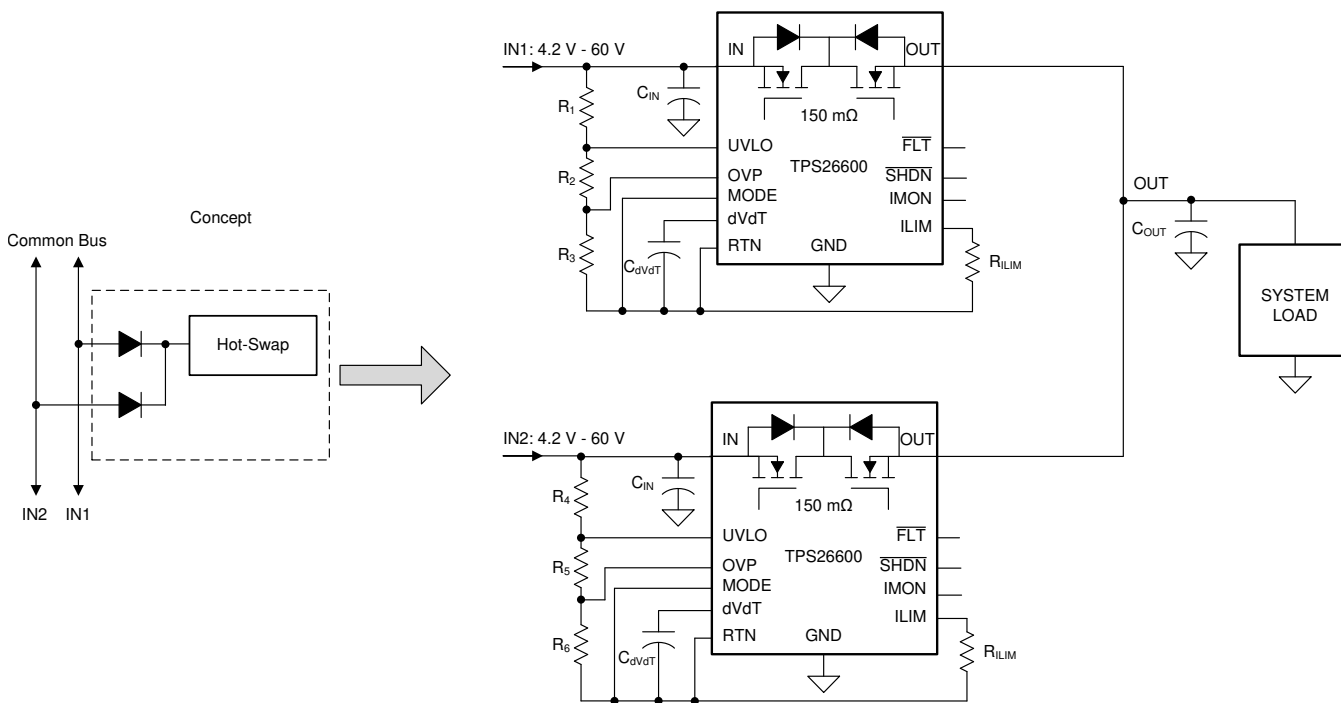


Figure 64. Active ORing Application Schematic

Figure 64 shows a typical redundant power supply configuration of the system. Schottky ORing diodes have been popular for connecting parallel power supplies, such as parallel operation of wall adapter with a battery or a hold-up storage capacitor. The disadvantage of using ORing diodes is high voltage drop and associated power loss. The TPS2660x with integrated, N-channel back to back FETs provide a simple and efficient solution.

A fast reverse comparator controls the internal FET and it is turned ON or OFF with hysteresis as shown in Figure 65. The internal FET is turned off within 1.5 μ s (typical) as soon as $V_{(IN)} - V_{(OUT)}$ falls below -110 mV. It turns on within 40 μ s (typical) once the differential forward voltage $V_{(IN)} - V_{(OUT)}$ exceeds 100 mV. Figure 66 and Figure 67 show typical switch-over waveforms of Active ORing implementation using the TPS26600.

System Examples (continued)

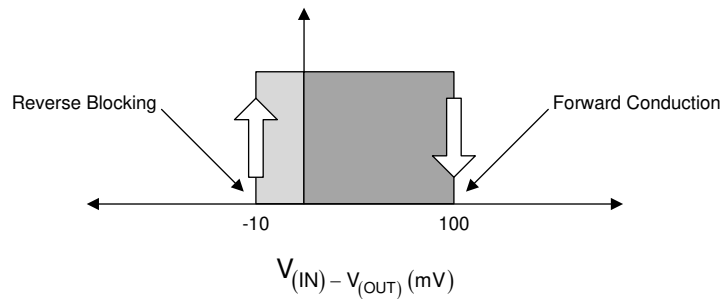


Figure 65. Active ORing Thresholds

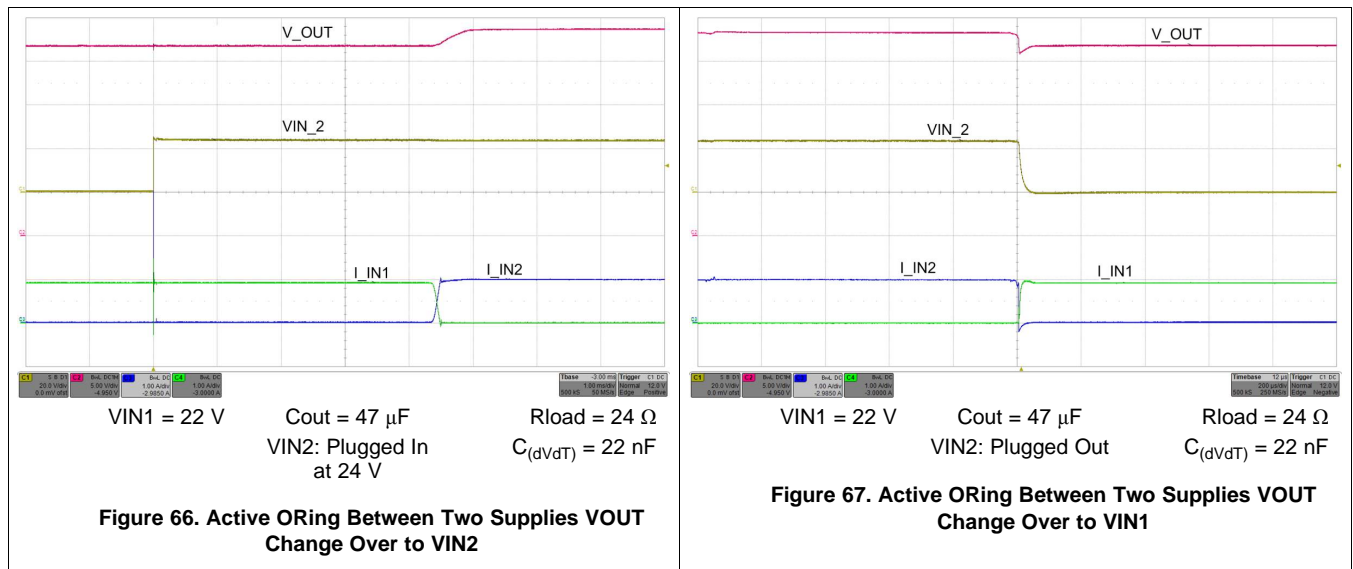


Figure 66. Active ORing Between Two Supplies VOUT Change Over to VIN2

Figure 67. Active ORing Between Two Supplies VOUT Change Over to VIN1

NOTE

All control pins of the un-powered TPS2660x device in the Active ORing configuration will measure approximately 0.7 V drop with respect to GND. The system micro-controller should ignore IMON and FLT pin voltage measurements of this device when these signals are being monitored.

System Examples (continued)

11.3.2 Field Supply Protection in PLC, DCS I/O Modules

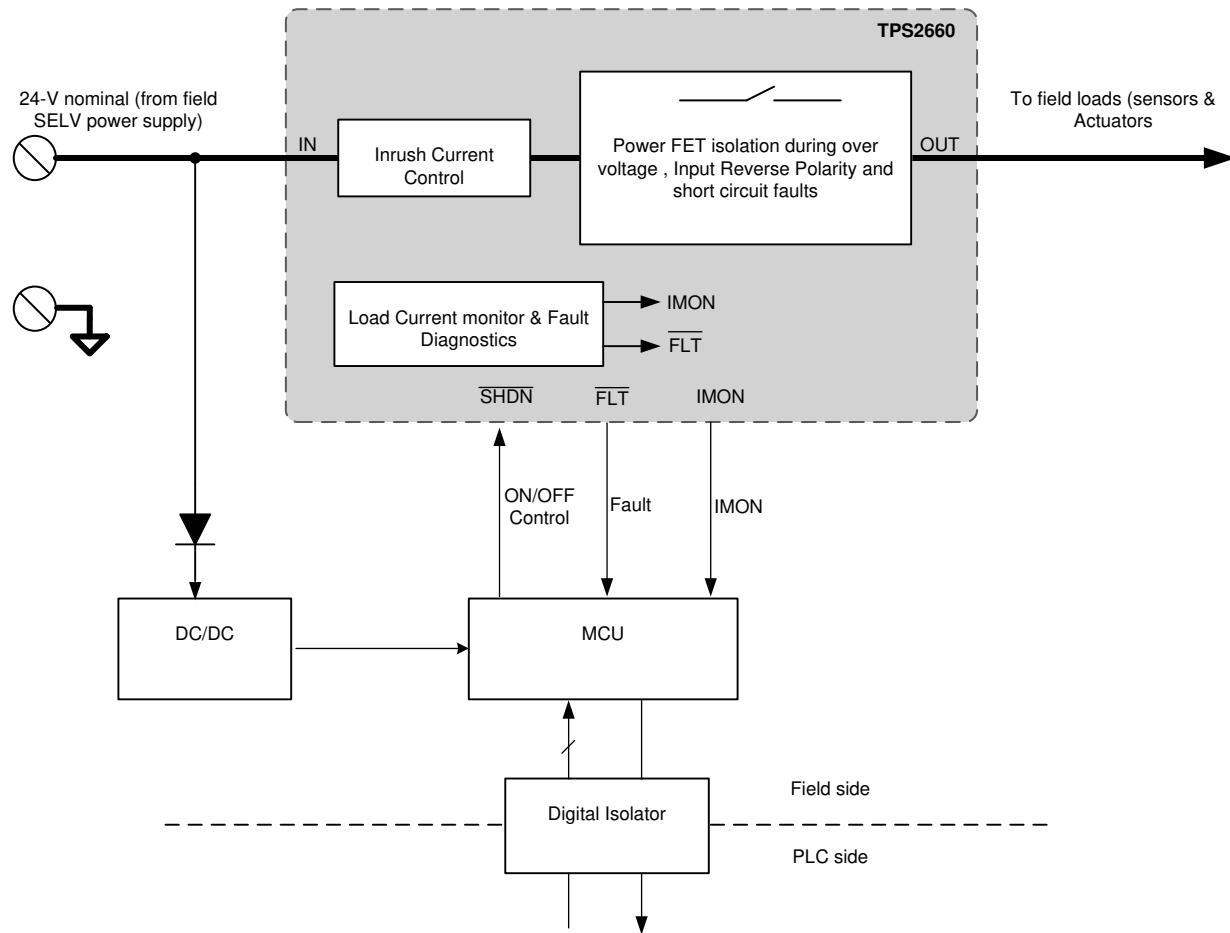


Figure 68. Power Delivery Circuit Block Diagram in I/O Modules

The PLC or Distributed Control System (DCS) I/O modules are often connected to an external field power supply to support higher power requirements of the field loads like sensors and actuators. Power-supply faults or miswiring can damage the loads or cause the loads not to operate correctly. The TPS2660x can be used as a front end protection circuit to protect and provide stable supply to the field loads. Under voltage, Over voltage and reverse polarity protection features of the TPS2660x prevent the loads to experience voltages outside the operating range, which can permanently damage the loads.

Field power supply is often connected to multiple I/O modules and is capable of delivering more current than a single I/O module can handle. Overcurrent protection scheme of the TPS2660x limits the current from the power supply to the module so that the maximum current does not rise above what the board is designed for. Fast short circuit protection scheme isolates the faulty load from the field supply quickly and prevents the field supply to dip and cause interrupts in the other I/O modules connected to the same field supply. High accurate ($\pm 5\%$ at 1 A) current limit facilitates more I/O modules to be connected to field supply. Load current monitor (IMON) and fault indication ($\overline{\text{FLT}}$) features facilitate continuous load monitoring.

The TPS2660x also acts as a smart diode with protection against reverse current during output side miswiring. Reverse current can potentially damage the field power supply and cause the I/O modules to run hot or may cause permanent damage.

If the field power supply is connected in reverse polarity (which is not unlikely as field power supplies are usually connected with screw terminals), field loads can permanently get damaged due to the reverse voltage. The reverse polarity protection feature of the TPS2660x prevents the reverse voltage to appear at the load side.

System Examples (continued)

11.3.3 Simple 24-V Power Supply Path Protection

With the TPS2660x, a simple 24-V power supply path protection can be realized using a minimum of three external components as shown in the schematic diagram in Figure 69. The external components required are: a $R_{(ILIM)}$ resistor to program the current limit, $C_{(IN)}$ and $C_{(OUT)}$ capacitors.

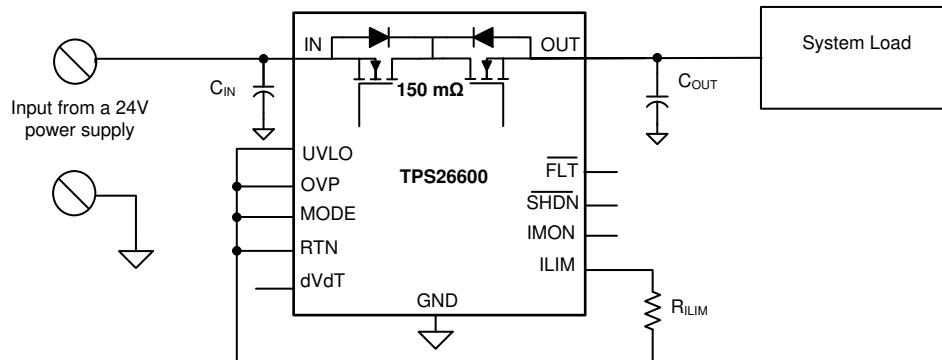


Figure 69. TPS26600 Configured for a Simple 24-V Supply Path Protection

Protection features with this configuration include:

- Load and device protection from reverse input polarity fault down to -60V
- 15 V (typical) rising under voltage lock-out threshold
- 33 V (typical) rising overvoltage cut-off threshold
- Protection from 60 V from the external SELV supply
- Inrush current control with 24V/1.6 ms output voltage slew rate
- Reverse Current Blocking
- Accurate current limiting with Auto-Retry

11.4 Do's and Don'ts

- Do not connect RTN to GND. Connecting RTN to GND disables the Reverse Polarity protection feature
- Do connect the TPS2660x support components $R_{(ILIM)}$, $C_{(dVdT)}$, $R_{(IMON)}$, $R_{(MODE)}$ and UVLO, OVP resistors with respect to RTN pin
- Do connect device PowerPAD to the RTN plane for an enhanced thermal performance

12 Power Supply Recommendations

The TPS2660x eFuse is designed for the supply voltage range of $4.2\text{ V} \leq V_{\text{IN}} \leq 60\text{ V}$. If the input supply is located more than a few inches from the device, an input ceramic bypass capacitor higher than $0.1\text{ }\mu\text{F}$ is recommended. Power supply must be rated higher than the current limit set to avoid voltage droops during overcurrent and short circuit conditions.

12.1 Transient Protection

In case of short circuit and over load current limit, when the device interrupts current flow, input inductance generates a positive voltage spike on the input and output inductance generates a negative voltage spike on the output. The peak amplitude of voltage spikes (transients) is dependent on value of inductance in series to the input or output of the device. Such transients can exceed the *Absolute Maximum Ratings* of the device if steps are not taken to address the issue.

Typical methods for addressing transients include

- Minimizing lead length and inductance into and out of the device
- Using large PCB GND plane
- Schottky diode across the output to absorb negative spikes
- A low value ceramic capacitor (C_{IN}) to approximately $0.1\text{ }\mu\text{F}$ to absorb the energy and dampen the transients.

The approximate value of input capacitance can be estimated with [Equation 25](#).

$$V_{\text{spike(Absolute)}} = V_{\text{(IN)}} + I_{\text{(Load)}} \times \sqrt{\frac{L_{\text{(IN)}}}{C_{\text{(IN)}}}}$$

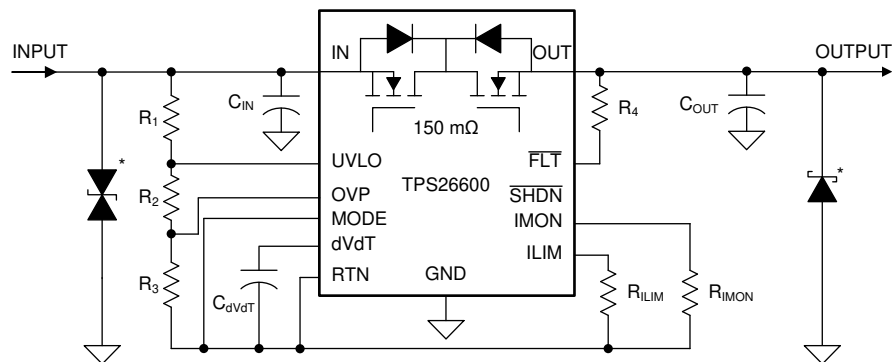
where

- $V_{\text{(IN)}}$ is the nominal supply voltage
- $I_{\text{(LOAD)}}$ is the load current
- $L_{\text{(IN)}}$ equals the effective inductance seen looking into the source
- $C_{\text{(IN)}}$ is the capacitance present at the input

(25)

Some applications may require additional Transient Voltage Suppressor (TVS) to prevent transients from exceeding the *Absolute Maximum Ratings* of the device. These transients can occur during positive and negative surge tests on the supply lines. In such applications it is recommended to place at least $1\text{ }\mu\text{F}$ of input capacitor to limit the falling slew rate of the input voltage within a maximum of $20\text{ V}/\mu\text{s}$.

The circuit implementation with optional protection components (a ceramic capacitor, TVS and schottky diode) is shown in [Figure 70](#).



* Optional components needed for suppression of transients

Figure 70. Circuit Implementation With Optional Protection Components

13 Layout

13.1 Layout Guidelines

- For all the applications, a 0.1 μF or higher value ceramic decoupling capacitor is recommended between IN terminal and GND.
- The optimum placement of decoupling capacitor is closest to the IN and GND terminals of the device. Care must be taken to minimize the loop area formed by the bypass-capacitor connection, the IN terminal, and the GND terminal of the IC. See [Figure 71](#) and [Figure 72](#) for PCB layout examples with HTSSOP and VQFN packages respectively.
- High current carrying power path connections must be as short as possible and must be sized to carry at least twice the full-load current.
- RTN, which is the reference ground for the device must be a copper plane or island.
- Locate all the TPS2660x support components $R_{(ILIM)}$, $C_{(dVdT)}$, $R_{(IMON)}$, and MODE, UVLO, OVP resistors close to their connection pin. Connect the other end of the component to the RTN with shortest trace length.
- The trace routing for the $R_{(ILIM)}$ and $R_{(IMON)}$ components to the device must be as short as possible to reduce parasitic effects on the current limit and current monitoring accuracy. These traces must not have any coupling to switching signals on the board.
- Protection devices such as TVS, snubbers, capacitors, or diodes must be placed physically close to the device they are intended to protect, and routed with short traces to reduce inductance. For example, a protection Schottky diode is recommended to address negative transients due to switching of inductive loads, and it must be physically close to the OUT and GND pins.
- Thermal Considerations: When properly mounted, the PowerPAD package provides significantly greater cooling ability. To operate at rated power, the PowerPAD must be soldered directly to the board RTN plane directly under the device. Other planes, such as the bottom side of the circuit board can be used to increase heat sinking in higher current applications. Designs that do not need reverse input polarity protection can have RTN, GND and PowerPAD connected together. PowerPAD in these designs can be connected to the PCB ground plane.

13.2 Layout Example

-  Top Layer
-  Bottom layer GND plane
-  Top Layer RTN Plane
-  Bottom Layer RTN Plane
-  Via to Bottom Layer
-  Track in bottom layer

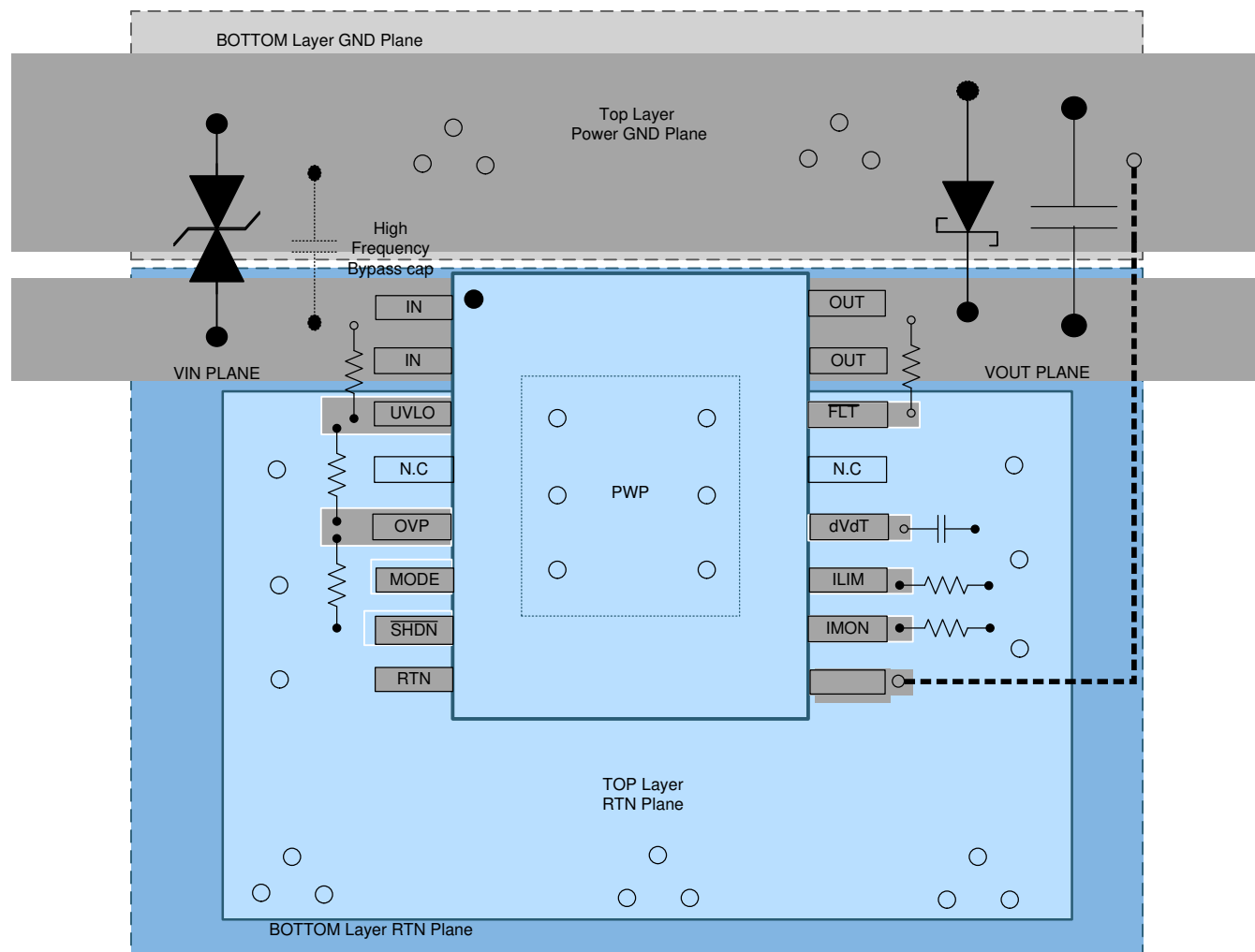


Figure 71. Typical PCB Layout Example With HTSSOP Package With a 2 Layer PCB

Layout Example (continued)

- Top Layer
- Bottom layer GND plane
- Top Layer RTN Plane
- Bottom Layer RTN Plane
- Via to Bottom Layer
- Track in bottom layer

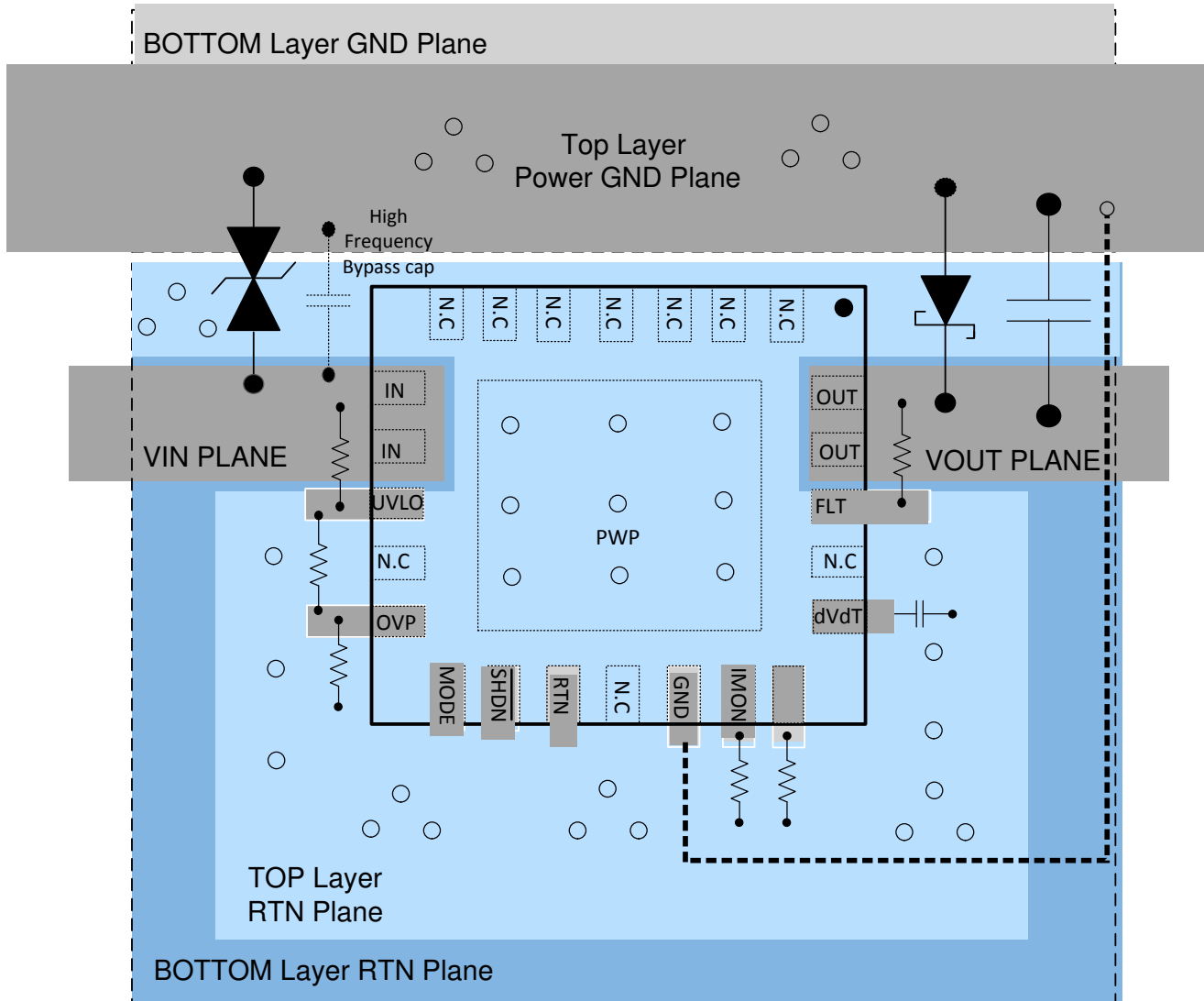


Figure 72. Typical PCB Layout Example With VQFN Package With a 2 Layer PCB

14 デバイスおよびドキュメントのサポート

14.1 デバイス・サポート

TPS26600 PSpiceのトランジエント・モードについては、[SLVMBR3B](#)を参照してください。

TPS26602 PSpiceのトランジエント・モードについては、[SLVMBR4C](#)を参照してください。

14.2 ドキュメントのサポート

14.2.1 関連資料

関連資料については、以下を参照してください。

- 『[TPS26600-02EVM: TPS2660x用評価基板 ユーザー・ガイド](#)』
- 『[負荷スイッチとeFuseによる電源多重化](#)』
- 『[TPS2660によるPLCシステムのサージおよび電源障害保護回路の単純化](#)』

14.3 ドキュメントの更新通知を受け取る方法

ドキュメントの更新についての通知を受け取るには、ti.comのデバイス製品フォルダを開いてください。右上の「アラートを受け取る」をクリックして登録すると、変更されたすべての製品情報に関するダイジェストを毎週受け取れます。変更の詳細については、修正されたドキュメントに含まれている改訂履歴をご覧ください。

14.4 コミュニティ・リソース

[TI E2E™ support forums](#) are an engineer's go-to source for fast, verified answers and design help — straight from the experts. Search existing answers or ask your own question to get the quick design help you need.

Linked content is provided "AS IS" by the respective contributors. They do not constitute TI specifications and do not necessarily reflect TI's views; see TI's [Terms of Use](#).

14.5 商標

E2E is a trademark of Texas Instruments.

All other trademarks are the property of their respective owners.

14.6 静電気放電に関する注意事項



すべての集積回路は、適切なESD保護方法を用いて、取扱いと保存を行うようにして下さい。

静電気放電はわずかな性能の低下から完全なデバイスの故障に至るまで、様々な損傷を与えます。高精度の集積回路は、損傷に対して敏感であり、極めてわずかなパラメータの変化により、デバイスに規定された仕様に適合しなくなる場合があります。

14.7 Glossary

[SLYZ022](#) — *TI Glossary*.

This glossary lists and explains terms, acronyms, and definitions.

15 メカニカル、パッケージ、および注文情報

以降のページには、メカニカル、パッケージ、および注文に関する情報が記載されています。この情報は、そのデバイスについて利用可能な最新のデータです。このデータは予告なく変更されることがあり、ドキュメントが改訂される場合もあります。本データシートのブラウザ版を使用されている場合は、画面左側の説明をご覧ください。

PACKAGING INFORMATION

Orderable part number	Status (1)	Material type (2)	Package Pins	Package qty Carrier	RoHS (3)	Lead finish/ Ball material (4)	MSL rating/ Peak reflow (5)	Op temp (°C)	Part marking (6)
TPS26600PWPR	Active	Production	HTSSOP (PWP) 16	2000 LARGE T&R	Yes	NIPDAU	Level-2-260C-1 YEAR	-40 to 125	26600
TPS26600PWPR.A	Active	Production	HTSSOP (PWP) 16	2000 LARGE T&R	Yes	NIPDAU	Level-2-260C-1 YEAR	-40 to 125	26600
TPS26600PWPT	Active	Production	HTSSOP (PWP) 16	250 SMALL T&R	Yes	NIPDAU	Level-2-260C-1 YEAR	-40 to 125	26600
TPS26600PWPT.A	Active	Production	HTSSOP (PWP) 16	250 SMALL T&R	Yes	NIPDAU	Level-2-260C-1 YEAR	-40 to 125	26600
TPS26600PWPTG4	Active	Production	HTSSOP (PWP) 16	250 SMALL T&R	Yes	NIPDAU	Level-2-260C-1 YEAR	-40 to 125	26600
TPS26600PWPTG4.A	Active	Production	HTSSOP (PWP) 16	250 SMALL T&R	Yes	NIPDAU	Level-2-260C-1 YEAR	-40 to 125	26600
TPS26600RHFR	Active	Production	VQFN (RHF) 24	3000 LARGE T&R	Yes	NIPDAU	Level-2-260C-1 YEAR	-40 to 125	TPS 26600
TPS26600RHFR.A	Active	Production	VQFN (RHF) 24	3000 LARGE T&R	Yes	NIPDAU	Level-2-260C-1 YEAR	-40 to 125	TPS 26600
TPS26600RHFT	Active	Production	VQFN (RHF) 24	250 SMALL T&R	Yes	NIPDAU	Level-2-260C-1 YEAR	-40 to 125	TPS 26600
TPS26600RHFT.A	Active	Production	VQFN (RHF) 24	250 SMALL T&R	Yes	NIPDAU	Level-2-260C-1 YEAR	-40 to 125	TPS 26600
TPS26600RHFTG4	Active	Production	VQFN (RHF) 24	250 SMALL T&R	Yes	NIPDAU	Level-2-260C-1 YEAR	-40 to 125	TPS 26600
TPS26600RHFTG4.A	Active	Production	VQFN (RHF) 24	250 SMALL T&R	Yes	NIPDAU	Level-2-260C-1 YEAR	-40 to 125	TPS 26600
TPS26601RHFR	Active	Production	VQFN (RHF) 24	3000 LARGE T&R	Yes	NIPDAU	Level-2-260C-1 YEAR	-40 to 125	TPS 26601
TPS26601RHFR.A	Active	Production	VQFN (RHF) 24	3000 LARGE T&R	Yes	NIPDAU	Level-2-260C-1 YEAR	-40 to 125	TPS 26601
TPS26601RHFT	Active	Production	VQFN (RHF) 24	250 SMALL T&R	Yes	NIPDAU	Level-2-260C-1 YEAR	-40 to 125	TPS 26601
TPS26601RHFT.A	Active	Production	VQFN (RHF) 24	250 SMALL T&R	Yes	NIPDAU	Level-2-260C-1 YEAR	-40 to 125	TPS 26601
TPS26601RHFTG4	Active	Production	VQFN (RHF) 24	250 SMALL T&R	Yes	NIPDAU	Level-2-260C-1 YEAR	-40 to 125	TPS 26601
TPS26601RHFTG4.A	Active	Production	VQFN (RHF) 24	250 SMALL T&R	Yes	NIPDAU	Level-2-260C-1 YEAR	-40 to 125	TPS 26601
TPS26602PWPR	Active	Production	HTSSOP (PWP) 16	2000 LARGE T&R	Yes	NIPDAU	Level-2-260C-1 YEAR	-40 to 125	26602
TPS26602PWPR.A	Active	Production	HTSSOP (PWP) 16	2000 LARGE T&R	Yes	NIPDAU	Level-2-260C-1 YEAR	-40 to 125	26602

Orderable part number	Status (1)	Material type (2)	Package Pins	Package qty Carrier	RoHS (3)	Lead finish/ Ball material (4)	MSL rating/ Peak reflow (5)	Op temp (°C)	Part marking (6)
TPS26602PWPT	Active	Production	HTSSOP (PWP) 16	250 SMALL T&R	Yes	NIPDAU	Level-2-260C-1 YEAR	-40 to 125	26602
TPS26602PWPT.A	Active	Production	HTSSOP (PWP) 16	250 SMALL T&R	Yes	NIPDAU	Level-2-260C-1 YEAR	-40 to 125	26602
TPS26602PWPTG4	Active	Production	HTSSOP (PWP) 16	250 SMALL T&R	Yes	NIPDAU	Level-2-260C-1 YEAR	-40 to 125	26602
TPS26602PWPTG4.A	Active	Production	HTSSOP (PWP) 16	250 SMALL T&R	Yes	NIPDAU	Level-2-260C-1 YEAR	-40 to 125	26602
TPS26602RHFR	Active	Production	VQFN (RHF) 24	3000 LARGE T&R	Yes	NIPDAU	Level-2-260C-1 YEAR	-40 to 125	TPS 26602
TPS26602RHFR.A	Active	Production	VQFN (RHF) 24	3000 LARGE T&R	Yes	NIPDAU	Level-2-260C-1 YEAR	-40 to 125	TPS 26602
TPS26602RHFRG4	Active	Production	VQFN (RHF) 24	3000 LARGE T&R	Yes	NIPDAU	Level-2-260C-1 YEAR	-40 to 125	TPS 26602
TPS26602RHFRG4.A	Active	Production	VQFN (RHF) 24	3000 LARGE T&R	Yes	NIPDAU	Level-2-260C-1 YEAR	-40 to 125	TPS 26602
TPS26602RHFT	Active	Production	VQFN (RHF) 24	250 SMALL T&R	Yes	NIPDAU	Level-2-260C-1 YEAR	-40 to 125	TPS 26602
TPS26602RHFT.A	Active	Production	VQFN (RHF) 24	250 SMALL T&R	Yes	NIPDAU	Level-2-260C-1 YEAR	-40 to 125	TPS 26602

⁽¹⁾ **Status:** For more details on status, see our [product life cycle](#).

⁽²⁾ **Material type:** When designated, preproduction parts are prototypes/experimental devices, and are not yet approved or released for full production. Testing and final process, including without limitation quality assurance, reliability performance testing, and/or process qualification, may not yet be complete, and this item is subject to further changes or possible discontinuation. If available for ordering, purchases will be subject to an additional waiver at checkout, and are intended for early internal evaluation purposes only. These items are sold without warranties of any kind.

⁽³⁾ **RoHS values:** Yes, No, RoHS Exempt. See the [TI RoHS Statement](#) for additional information and value definition.

⁽⁴⁾ **Lead finish/Ball material:** Parts may have multiple material finish options. Finish options are separated by a vertical ruled line. Lead finish/Ball material values may wrap to two lines if the finish value exceeds the maximum column width.

⁽⁵⁾ **MSL rating/Peak reflow:** The moisture sensitivity level ratings and peak solder (reflow) temperatures. In the event that a part has multiple moisture sensitivity ratings, only the lowest level per JEDEC standards is shown. Refer to the shipping label for the actual reflow temperature that will be used to mount the part to the printed circuit board.

⁽⁶⁾ **Part marking:** There may be an additional marking, which relates to the logo, the lot trace code information, or the environmental category of the part.

Multiple part markings will be inside parentheses. Only one part marking contained in parentheses and separated by a "~" will appear on a part. If a line is indented then it is a continuation of the previous line and the two combined represent the entire part marking for that device.

Important Information and Disclaimer: The information provided on this page represents TI's knowledge and belief as of the date that it is provided. TI bases its knowledge and belief on information provided by third parties, and makes no representation or warranty as to the accuracy of such information. Efforts are underway to better integrate information from third parties. TI has taken and continues to take reasonable steps to provide representative and accurate information but may not have conducted destructive testing or chemical analysis on incoming materials and chemicals. TI and TI suppliers consider certain information to be proprietary, and thus CAS numbers and other limited information may not be available for release.

In no event shall TI's liability arising out of such information exceed the total purchase price of the TI part(s) at issue in this document sold by TI to Customer on an annual basis.

TAPE AND REEL INFORMATION

QUADRANT ASSIGNMENTS FOR PIN 1 ORIENTATION IN TAPE


*All dimensions are nominal

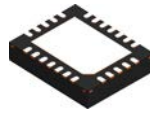
Device	Package Type	Package Drawing	Pins	SPQ	Reel Diameter (mm)	Reel Width W1 (mm)	A0 (mm)	B0 (mm)	K0 (mm)	P1 (mm)	W (mm)	Pin1 Quadrant
TPS26600PWPR	HTSSOP	PWP	16	2000	330.0	12.4	6.9	5.6	1.6	8.0	12.0	Q1
TPS26600PWPT	HTSSOP	PWP	16	250	180.0	12.4	6.9	5.6	1.6	8.0	12.0	Q1
TPS26600PWPTG4	HTSSOP	PWP	16	250	180.0	12.4	6.9	5.6	1.6	8.0	12.0	Q1
TPS26600RHFR	VQFN	RHF	24	3000	330.0	12.4	4.3	5.3	1.3	8.0	12.0	Q1
TPS26600RHFT	VQFN	RHF	24	250	180.0	12.4	4.3	5.3	1.3	8.0	12.0	Q1
TPS26600RHFTG4	VQFN	RHF	24	250	180.0	12.4	4.3	5.3	1.3	8.0	12.0	Q1
TPS26601RHFR	VQFN	RHF	24	3000	330.0	12.4	4.3	5.3	1.3	8.0	12.0	Q1
TPS26601RHFT	VQFN	RHF	24	250	180.0	12.4	4.3	5.3	1.3	8.0	12.0	Q1
TPS26601RHFTG4	VQFN	RHF	24	250	180.0	12.4	4.3	5.3	1.3	8.0	12.0	Q1
TPS26602PWPR	HTSSOP	PWP	16	2000	330.0	12.4	6.9	5.6	1.6	8.0	12.0	Q1
TPS26602PWPT	HTSSOP	PWP	16	250	180.0	12.4	6.9	5.6	1.6	8.0	12.0	Q1
TPS26602PWPTG4	HTSSOP	PWP	16	250	180.0	12.4	6.9	5.6	1.6	8.0	12.0	Q1
TPS26602RHFR	VQFN	RHF	24	3000	330.0	12.4	4.3	5.3	1.3	8.0	12.0	Q1
TPS26602RHFRG4	VQFN	RHF	24	3000	330.0	12.4	4.3	5.3	1.3	8.0	12.0	Q1
TPS26602RHFT	VQFN	RHF	24	250	180.0	12.4	4.3	5.3	1.3	8.0	12.0	Q1

TAPE AND REEL BOX DIMENSIONS


*All dimensions are nominal

Device	Package Type	Package Drawing	Pins	SPQ	Length (mm)	Width (mm)	Height (mm)
TPS26600PWPR	HTSSOP	PWP	16	2000	350.0	350.0	43.0
TPS26600PWPT	HTSSOP	PWP	16	250	210.0	185.0	35.0
TPS26600PWPTG4	HTSSOP	PWP	16	250	210.0	185.0	35.0
TPS26600RHFR	VQFN	RHF	24	3000	367.0	367.0	35.0
TPS26600RHFT	VQFN	RHF	24	250	210.0	185.0	35.0
TPS26600RHFTG4	VQFN	RHF	24	250	210.0	185.0	35.0
TPS26601RHFR	VQFN	RHF	24	3000	367.0	367.0	35.0
TPS26601RHFT	VQFN	RHF	24	250	210.0	185.0	35.0
TPS26601RHFTG4	VQFN	RHF	24	250	210.0	185.0	35.0
TPS26602PWPR	HTSSOP	PWP	16	2000	350.0	350.0	43.0
TPS26602PWPT	HTSSOP	PWP	16	250	210.0	185.0	35.0
TPS26602PWPTG4	HTSSOP	PWP	16	250	210.0	185.0	35.0
TPS26602RHFR	VQFN	RHF	24	3000	367.0	367.0	35.0
TPS26602RHFRG4	VQFN	RHF	24	3000	367.0	367.0	35.0
TPS26602RHFT	VQFN	RHF	24	250	210.0	185.0	35.0

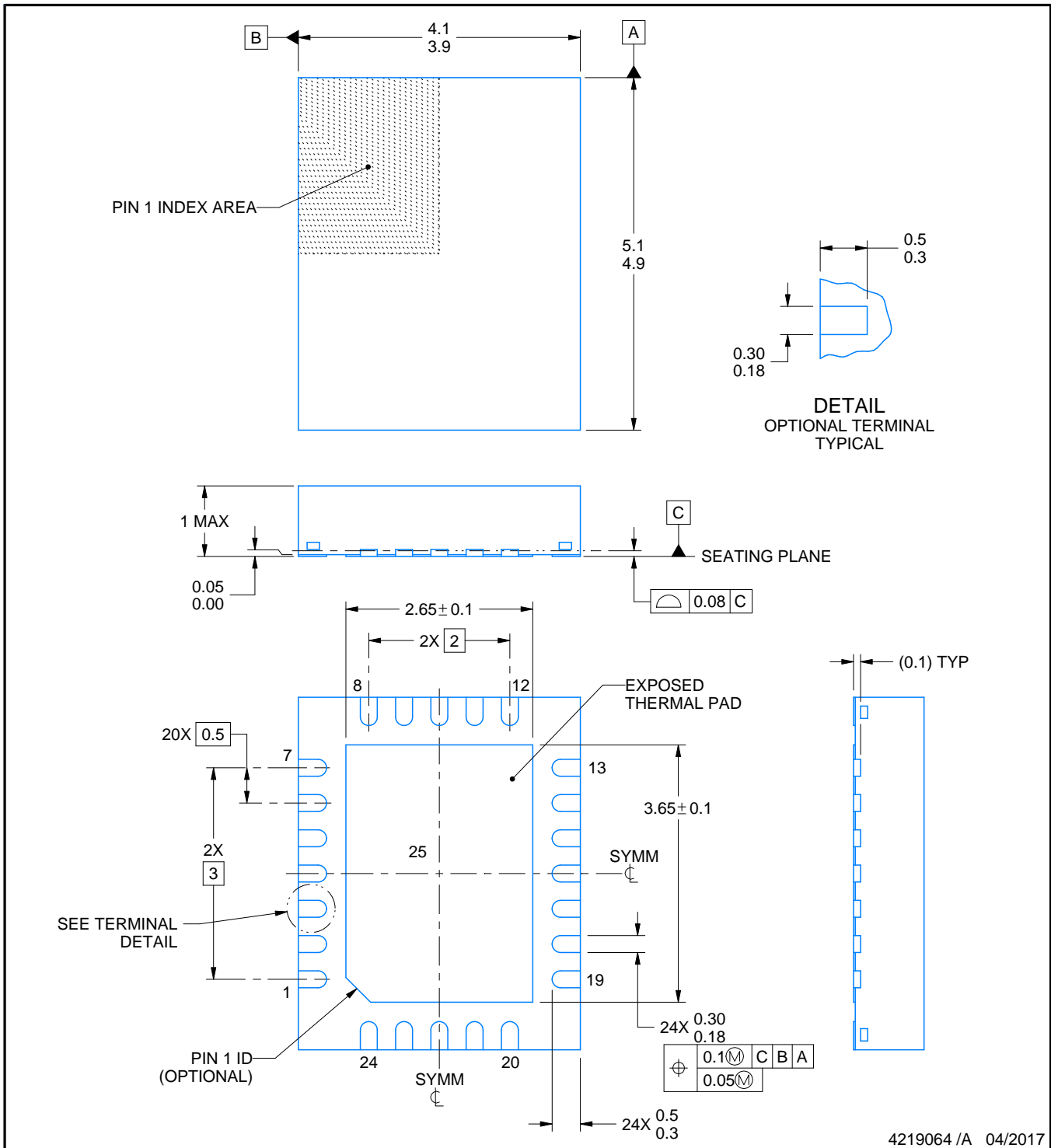
RHF0024A



PACKAGE OUTLINE

VQFN - 1 mm max height

PLASTIC QUAD FLATPACK - NO LEAD



4219064 /A 04/2017

NOTES:

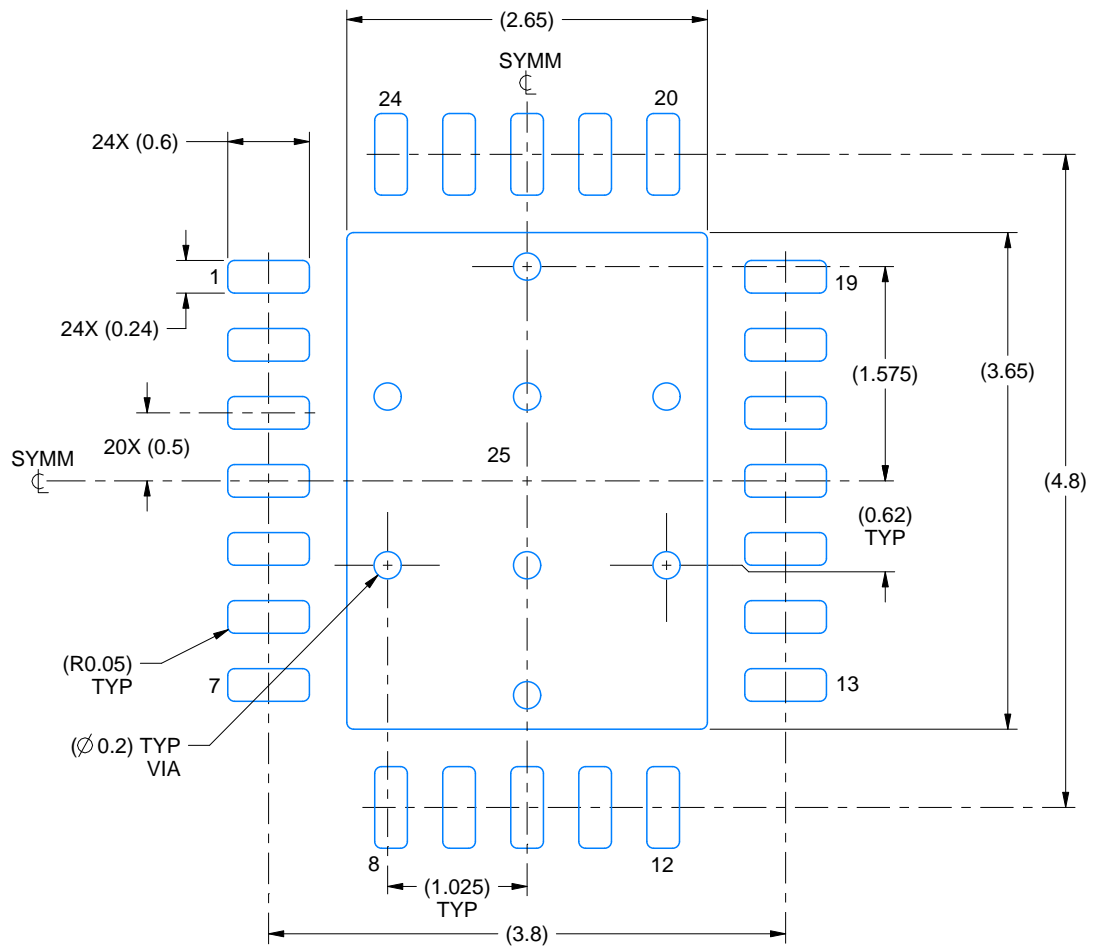
1. All linear dimensions are in millimeters. Any dimensions in parenthesis are for reference only. Dimensioning and tolerancing per ASME Y14.5M.
2. This drawing is subject to change without notice.
3. The package thermal pad must be soldered to the printed circuit board for thermal and mechanical performance.

EXAMPLE BOARD LAYOUT

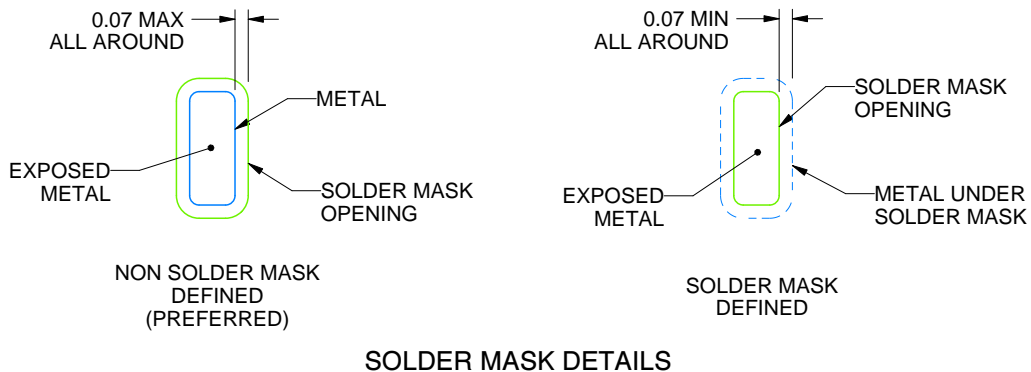
RHF0024A

VQFN - 1 mm max height

PLASTIC QUAD FLATPACK - NO LEAD



LAND PATTERN EXAMPLE
EXPOSED METAL SHOWN
SCALE:18X



SOLDER MASK DETAILS

4219064 /A 04/2017

NOTES: (continued)

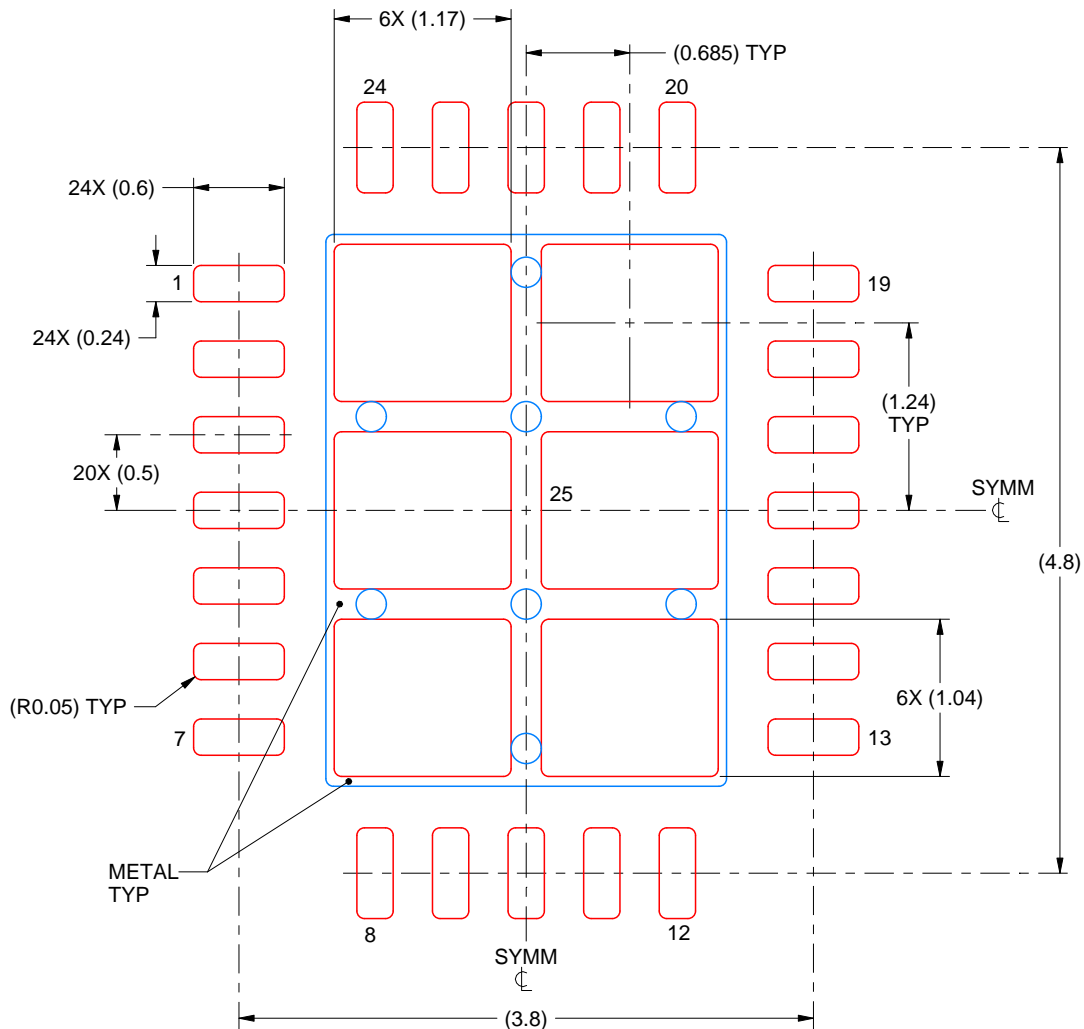
- This package is designed to be soldered to a thermal pad on the board. For more information, see Texas Instruments literature number SLUA271 (www.ti.com/lit/slua271).
- Vias are optional depending on application, refer to device data sheet. If any vias are implemented, refer to their locations shown on this view. It is recommended that vias under paste be filled, plugged or tented.

EXAMPLE STENCIL DESIGN

RHF0024A

VQFN - 1 mm max height

PLASTIC QUAD FLATPACK - NO LEAD



SOLDER PASTE EXAMPLE
BASED ON 0.125 mm THICK STENCIL

EXPOSED PAD 25
75% PRINTED SOLDER COVERAGE BY AREA UNDER PACKAGE
SCALE:20X

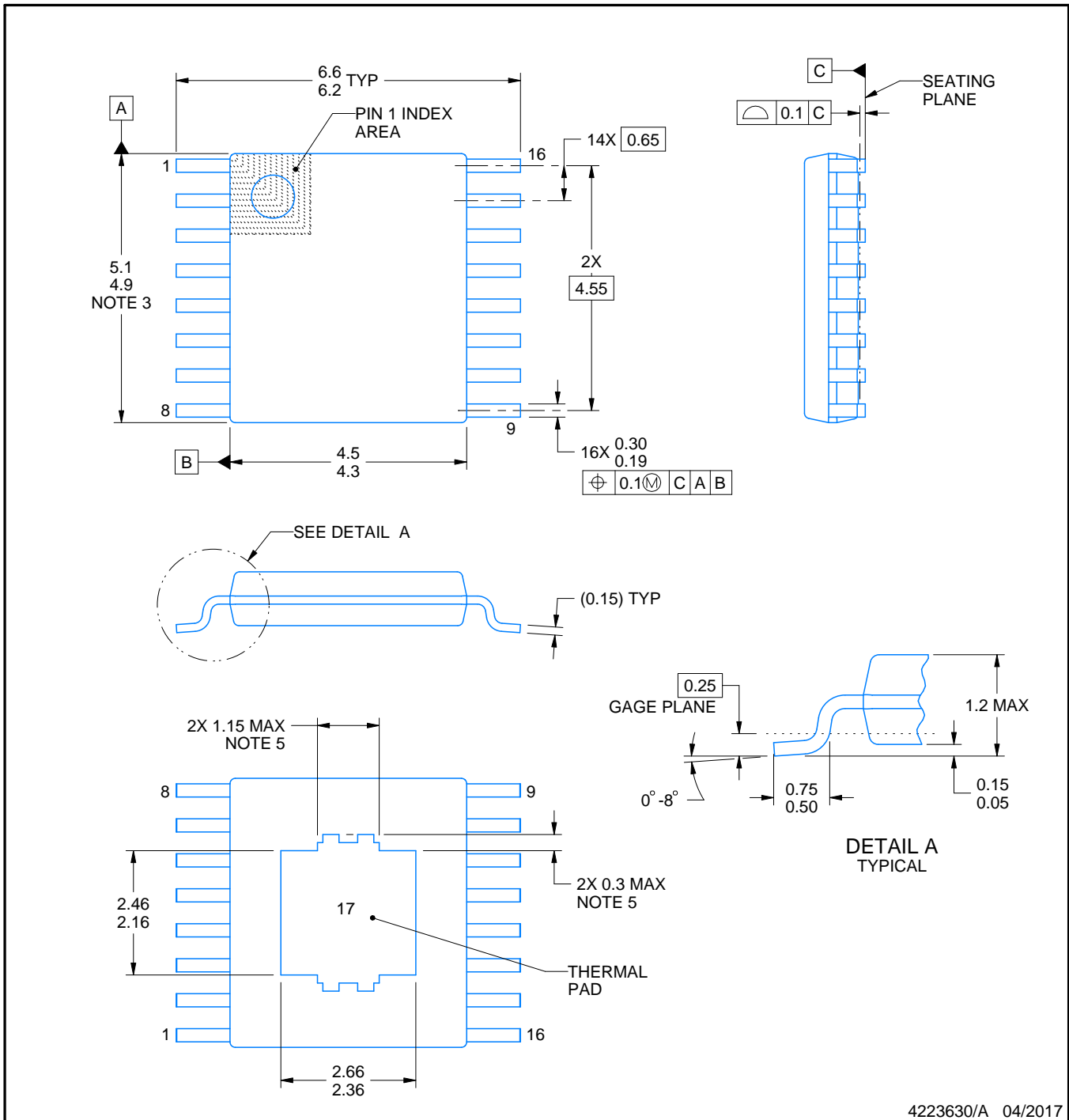
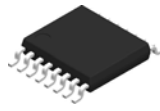
4219064 /A 04/2017

NOTES: (continued)

6. Laser cutting apertures with trapezoidal walls and rounded corners may offer better paste release. IPC-7525 may have alternate design recommendations.



Images above are just a representation of the package family, actual package may vary.
Refer to the product data sheet for package details.



4223630/A 04/2017

NOTES:

PowerPAD is a trademark of Texas Instruments.

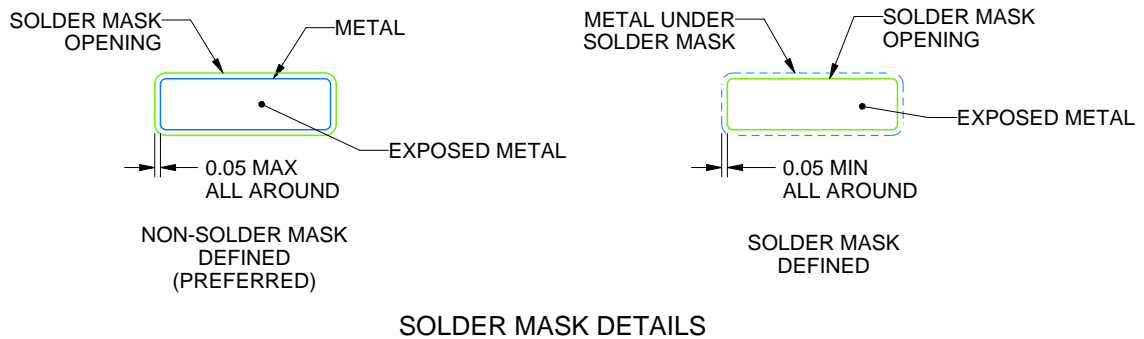
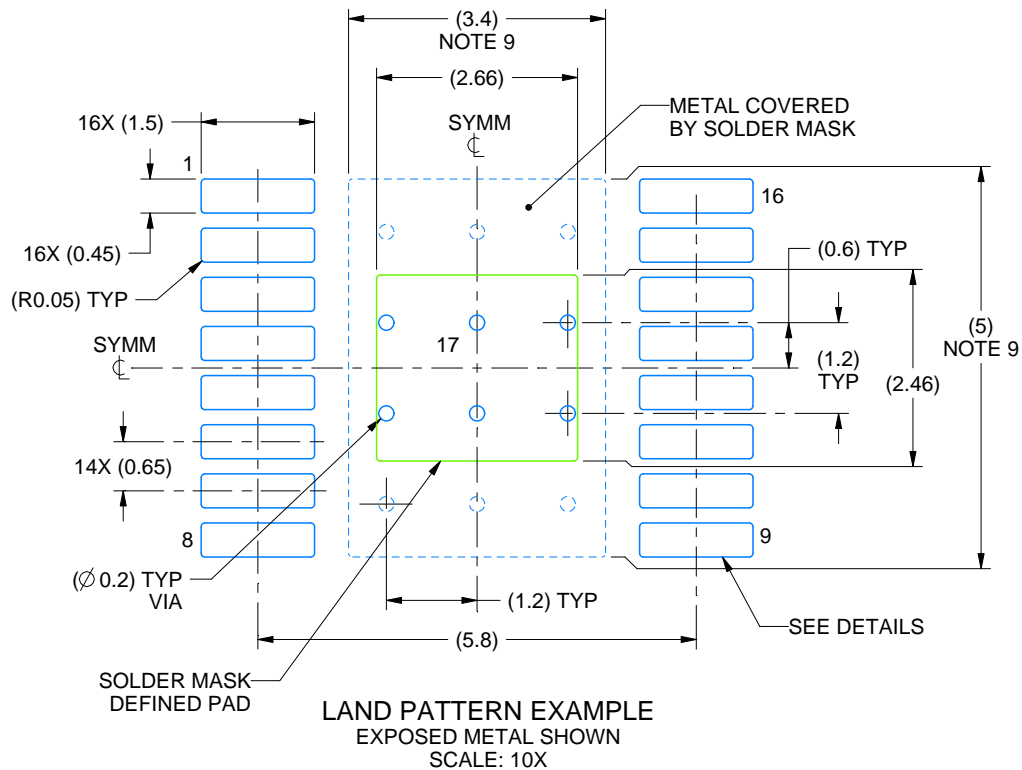
1. All linear dimensions are in millimeters. Any dimensions in parenthesis are for reference only. Dimensioning and tolerancing per ASME Y14.5M.
2. This drawing is subject to change without notice.
3. This dimension does not include mold flash, protrusions, or gate burrs. Mold flash, protrusions, or gate burrs shall not exceed 0.15 mm per side.
4. Reference JEDEC registration MO-153.
5. Features may differ or may not be present.

EXAMPLE BOARD LAYOUT

PWP0016H

PowerPAD™ TSSOP - 1.2 mm max height

SMALL OUTLINE PACKAGE



4223630/A 04/2017

NOTES: (continued)

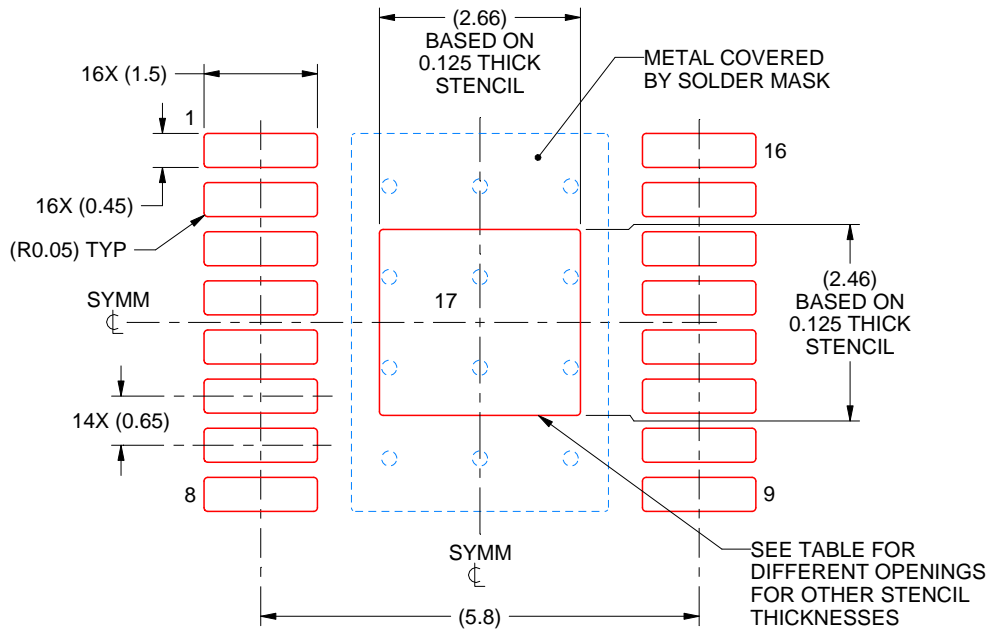
6. Publication IPC-7351 may have alternate designs.
7. Solder mask tolerances between and around signal pads can vary based on board fabrication site.
8. This package is designed to be soldered to a thermal pad on the board. For more information, see Texas Instruments literature numbers SLMA002 (www.ti.com/lit/slma002) and SLMA004 (www.ti.com/lit/slma004).
9. Size of metal pad may vary due to creepage requirement.
10. Vias are optional depending on application, refer to device data sheet. It is recommended that vias under paste be filled, plugged or tented.

EXAMPLE STENCIL DESIGN

PWP0016H

PowerPAD™ TSSOP - 1.2 mm max height

SMALL OUTLINE PACKAGE



SOLDER PASTE EXAMPLE
 BASED ON 0.125 mm THICK STENCIL
 SCALE: 10X

STENCIL THICKNESS	SOLDER STENCIL OPENING
0.1	2.97 X 2.75
0.125	2.66 X 2.46 (SHOWN)
0.15	2.43 X 2.25
0.175	2.25 X 2.08

4223630/A 04/2017

NOTES: (continued)

11. Laser cutting apertures with trapezoidal walls and rounded corners may offer better paste release. IPC-7525 may have alternate design recommendations.
12. Board assembly site may have different recommendations for stencil design.

重要なお知らせと免責事項

TI は、技術データと信頼性データ（データシートを含みます）、設計リソース（リファレンス デザインを含みます）、アプリケーションや設計に関する各種アドバイス、Web ツール、安全性情報、その他のリソースを、欠陥が存在する可能性のある「現状のまま」提供しており、商品性および特定目的に対する適合性の黙示保証、第三者の知的財産権の非侵害保証を含むいかなる保証も、明示的または黙示的にかかわらず拒否します。

これらのリソースは、TI 製品を使用する設計の経験を積んだ開発者への提供を意図したものです。(1) お客様のアプリケーションに適した TI 製品の選定、(2) お客様のアプリケーションの設計、検証、試験、(3) お客様のアプリケーションに該当する各種規格や、その他のあらゆる安全性、セキュリティ、規制、または他の要件への確実な適合に関する責任を、お客様のみが単独で負うものとし、

上記の各種リソースは、予告なく変更される可能性があります。これらのリソースは、リソースで説明されている TI 製品を使用するアプリケーションの開発の目的でのみ、TI はその使用をお客様に許諾します。これらのリソースに関して、他の目的で複製することや掲載することは禁止されています。TI や第三者の知的財産権のライセンスが付与されている訳ではありません。お客様は、これらのリソースを自身で使用した結果発生するあらゆる申し立て、損害、費用、損失、責任について、TI およびその代理人を完全に補償するものとし、TI は一切の責任を拒否します。

TI の製品は、[TI の販売条件](#)、[TI の総合的な品質ガイドライン](#)、[ti.com](#) または TI 製品などに関連して提供される他の適用条件に従い提供されます。TI がこれらのリソースを提供することは、適用される TI の保証または他の保証の放棄の拡大や変更を意味するものではありません。TI がカスタム、またはカスタマー仕様として明示的に指定していない限り、TI の製品は標準的なカタログに掲載される汎用機器です。

お客様がいかなる追加条項または代替条項を提案する場合も、TI はそれらに異議を唱え、拒否します。

Copyright © 2025, Texas Instruments Incorporated

最終更新日：2025 年 10 月