

## TPS40322 Dual Output or Two-Phase Synchronous Buck Controller

### 1 Features

- Dual-Output or Two-Phase Synchronous Buck Controller
- 180° Out-of-Phase Reduces Input Ripple
- Input Voltage Range: 3 V to 20 V
- Output Voltage Range: 0.6 V to 5.6 V
- Adjustable Frequency: 100 kHz to 1 MHz
- Bidirectional SYNC Pin With 0°/180° or 90°/270° Phase Shift
- Voltage Mode Control With Input Feedforward
- Accurate Current Sharing for Two-Phase Operation
- Individual Power Good Outputs
- Individual Enable and Programmable Soft Start, With Pre-Bias Start-Up
- $\pm 0.5\%$ , 600-mV Reference
- Output UV/OV Protection and Input Undervoltage Lockout
- Individual Overcurrent Limit Setting
- Hiccup Overcurrent Protection
- Accurate Inductor DCR or Resistive Current Sensing
- Remote Sense for Two-Phase Applications
- Internal N-Channel FET Drivers
- Integrated Bootstrap Switches
- Available in 5-mm x 5-mm 32-Pin VQFN Package

### 2 Applications

- Multiple Rail Systems
- Telecom Base Station
- Switcher and Router Networking
- xDSL Broadband Access
- Server and Storage System

### 3 Description

The TPS40322 device is a dual-output, synchronous buck controller. It can also be configured as a single-output, two-phase controller. The 180° out-of-phase operation reduces the input current ripple and extends the input capacitor lifetime. Bidirectional master and slave synchronization function provides evenly distributed phase shift for a four-output system that reduces input ripple further and attenuates the system noise.

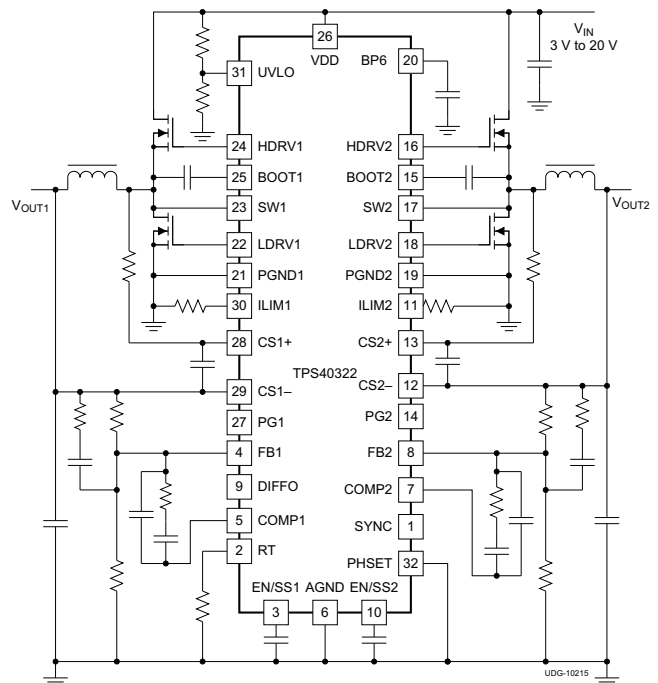
The wide input range can support 3.3-V, 5-V, and 12-V buses. The accurate reference voltage satisfies the precision voltage needed by ASICs and potentially reduces the output capacitance requirement. Separate PGOOD signals provide flexibility for system monitoring and sequencing. The two channels are independently controlled and each soft-start time is programmable. Voltage mode control is implemented to reduce noise sensitivity and also ensures low duty ratio conversion.

#### Device Information<sup>(1)</sup>

| PART NUMBER | PACKAGE   | BODY SIZE (NOM)   |
|-------------|-----------|-------------------|
| TPS40322    | VQFN (32) | 5.00 mm x 5.00 mm |

(1) For all available packages, see the orderable addendum at the end of the data sheet.

#### Simplified Application Circuit



## Table of Contents

|  |           |  |           |
|--|-----------|--|-----------|
| <b>1 Features</b> .....                        | <b>1</b>  | <b>8 Applications and Implementation</b> .....                   | <b>24</b> |
| <b>2 Applications</b> .....                    | <b>1</b>  | 8.1 Application Information.....                                 | 24        |
| <b>3 Description</b> .....                     | <b>1</b>  | 8.2 Typical Applications .....                                   | 24        |
| <b>4 Revision History</b> .....                | <b>2</b>  | <b>9 Power Supply Recommendations</b> .....                      | <b>36</b> |
| <b>5 Pin Configuration and Functions</b> ..... | <b>4</b>  | <b>10 Layout</b> .....   | <b>36</b> |
| <b>6 Specifications</b> .....                  | <b>6</b>  | 10.1 Layout Guidelines .....                                     | 36        |
| 6.1 Absolute Maximum Ratings .....             | 6         | 10.2 Layout Example .....  | 37        |
| 6.2 ESD Ratings.....                           | 6         | 10.3 Mounting and Thermal Profile Recommendation..               | 38        |
| 6.3 Recommended Operating Conditions.....      | 6         | <b>11 Device and Documentation Support</b> .....                 | <b>39</b> |
| 6.4 Thermal Information .....                  | 6         | 11.1 Device Support.....   | 39        |
| 6.5 Electrical Characteristics.....            | 7         | 11.2 Documentation Support .....                                 | 39        |
| 6.6 Typical Characteristics .....              | 9         | 11.3 Community Resources.....                                    | 39        |
| <b>7 Detailed Description</b> .....            | <b>12</b> | 11.4 Trademarks .....  | 39        |
| 7.1 Overview .....                             | 12        | 11.5 Electrostatic Discharge Caution.....                        | 39        |
| 7.2 Functional Block Diagram .....             | 13        | 11.6 Glossary .....  | 39        |
| 7.3 Feature Description.....                   | 14        | <b>12 Mechanical, Packaging, and Orderable Information</b> ..... | <b>39</b> |
| 7.4 Device Functional Modes.....               | 23        |  |           |

## 4 Revision History

NOTE: Page numbers for previous revisions may differ from page numbers in the current version.

| <b>Changes from Revision D (December 2013) to Revision E</b>  | <b>Page</b> |
|---|-------------|
| <ul style="list-style-type: none"> <li>Added <i>ESD Ratings</i> table, <i>Feature Description</i> section, <i>Device Functional Modes</i>, <i>Application and Implementation</i> section, <i>Power Supply Recommendations</i> section, <i>Layout</i> section, <i>Device and Documentation Support</i> section, and <i>Mechanical, Packaging, and Orderable Information</i> section .....</li> </ul> | 1           |
| <ul style="list-style-type: none"> <li>Updated the thermal data to new values .....</li> </ul>  | 6           |

| <b>Changes from Revision C (JANUARY 2013) to Revision D</b>   | <b>Page</b> |
|---|-------------|
| <ul style="list-style-type: none"> <li>Added information regarding the appropriate output voltage range when using the remote sense amplifier in the <i>Two-Phase Mode, Remote Sense Amplifier, and Current Sharing Loop</i> section .....</li> </ul> | 17          |

| <b>Changes from Revision B (JUNE 2012) to Revision C</b>  | <b>Page</b> |
|---|-------------|
| <ul style="list-style-type: none"> <li>Added clarity to ABSOLUTE MAXIMUM RATINGS table .....</li> </ul> | 6           |

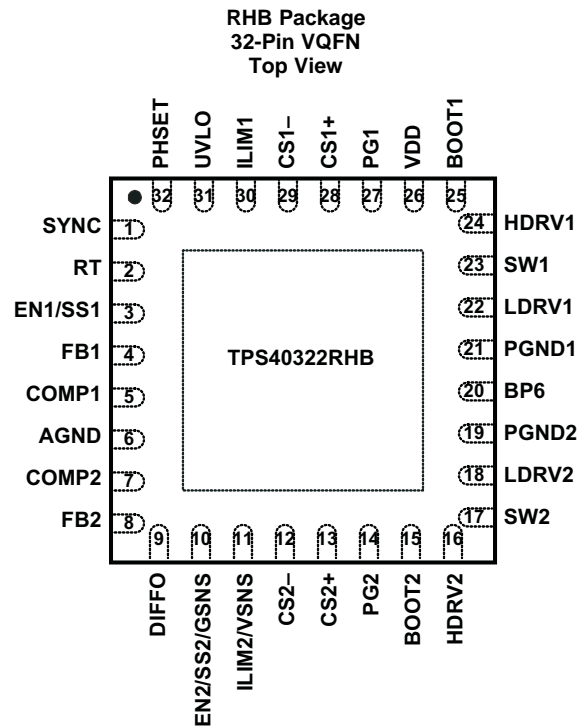
**Changes from Revision A (JANUARY 2012) to Revision B Page**

|  |    |
|--|----|
| • Changed all references of "multi-phase" to "two-phase" throughout document.....  | 1  |
| • Added clarity to SIMPLIFIED APPLICATION CIRCUIT.....   | 1  |
| • Added "When not being used, SYNC must be left floating" to SYNC description in PIN FUNCTIONS table.....  | 5  |
| • Added clarity to Functional Block Diagram.....   | 13 |
| • Added clarity to <a href="#">Figure 15</a> .....   | 14 |
| • Added clarity to <a href="#">Figure 16</a> .....   | 15 |
| • Added clarity to <a href="#">Figure 17</a> .....   | 16 |
| • Added clarity to <a href="#">Figure 18</a> .....   | 17 |
| • Added clarity to <a href="#">Figure 19</a> .....   | 18 |
| • Changed "This design limits the maximum voltage drop across the current sense inputs, $V_{CS(max)}$ , to 60 mV." to "This design limits the maximum voltage drop across the current sense inputs, $V_{CS(max)}$ , to 50 mV." in <i>ILIM Resistor (R2)</i> section..... | 29 |
| • Changed <a href="#">Equation 23</a> .....  | 29 |
| • Changed Output current = 10 (max) to Output current = 30 (max) in <a href="#">Table 7</a> .....  | 34 |

**Changes from Original (JUNE 2011) to Revision A Page**

|  |    |
|--|----|
| • Added clarity to Functional Block Diagram.....   | 13 |
| • Added clarity to <a href="#">Figure 18</a> ..... | 17 |

## 5 Pin Configuration and Functions



NOTE: In two-phase mode, the EN2/SS2/GSNS pin becomes the GSNS pin and the ILIM2/VSNS pin becomes the VSNS pin.

The two channels are identical unless specified otherwise.

The following naming conventions are used to better describe the functions. For example, COMPx refers to COMP1 and COMP2, FBx refers to FB1 and FB2.

### Pin Functions

| PIN     |     | I/O | DESCRIPTION   |
|---------|-----|-----|---|
| NAME    | PIN |     |   |
| AGND    | 6   | —   | Low noise ground connection to the controller.  |
| BOOT1   | 25  | I   | BOOT1 provides a bootstrapped supply for the high-side FET driver for channel 1 (CH1). Connect a capacitor (0.1 $\mu$ F typical) from BOOT1 to SW1 pin.   |
| BOOT2   | 15  | I   | BOOT2 provides a bootstrapped supply for the high-side FET driver for channel 2 (CH2). Connect a capacitor (0.1 $\mu$ F typical) from BOOT2 to SW2 pin.   |
| BP6     | 20  | O   | Output bypass for the internal regulator. Connect a low ESR bypass ceramic capacitor with a value of 3.3 $\mu$ F or greater from this pin to the power ground plane.  |
| COMP1   | 5   | O   | Output of the error amplifier 1 and connection node for loop feedback components.   |
| COMP2   | 7   | O   | Output of the error amplifier 2 and connection node for loop feedback components.   |
| CS1-    | 29  | I   | Negative terminal of current sense amplifier for CH1  |
| CS1+    | 28  | I   | Positive terminal of current sense amplifier for CH1  |
| CS2-    | 12  | I   | Negative terminal of current sense amplifier for CH2  |
| CS2+    | 13  | I   | Positive terminal of current sense amplifier for CH2  |
| DIFFO   | 9   | O   | Output of the differential amplifier. When the device is configured for dual channel mode, the DIFFO pin must be either floating or tied to BP6   |
| EN1/SS1 | 3   | I   | Logic level input which starts or stops CH1. Letting this pin float turns CH1 on. Pulling this pin low disables CH1. This is also the soft-start programming pin. A capacitor connected from this pin to AGND programs the soft-start time. The capacitor is charged with an internal current source of 10 $\mu$ A. The resulting voltage ramp of this pin is also used as a second non-inverting input to the error amplifier 1 after a 0.8 V (typical) level shift downwards. |

**Pin Functions (continued)**

| PIN          |     | I/O | DESCRIPTION  |
|--------------|-----|-----|--|
| NAME         | PIN |     |  |
| EN2/SS2/GSNS | 10  | I   | Logic level input which starts or stops CH2. Letting this pin float turns CH2 on. Pulling this pin low disables CH2. This is also the soft-start programming pin. A capacitor connected from this pin to AGND programs the soft-start time. The capacitor is charged with an internal current source of 10 $\mu$ A. The resulting voltage ramp of this pin is also used as a second non-inverting input to the error amplifier 2 after a 0.8 V (typical) level shift downwards. In two-phase mode, this pin becomes GSNS as the negative terminal of a remote sense amplifier. |
| FB1          | 4   | I   | Inverting input to the error amplifier. During normal operation, the voltage on this pin is equal to the internal reference voltage.   |
| FB2          | 8   | I   | Inverting input to the error amplifier. During normal operation, the voltage on this pin is equal to the internal reference voltage. Connecting the FB2 pin to the BP6 pin enables two-phase mode and disables the error amplifier 2.  |
| HDRV1        | 24  | O   | Bootstrapped gate drive output for the high-side N-channel MOSFET for CH1. A 2- $\Omega$ resistor is recommended for a noisy environment.  |
| HDRV2        | 16  | O   | Bootstrapped gate drive output for the high-side N-channel MOSFET for CH2. A 2- $\Omega$ resistor is recommended for a noisy environment.  |
| ILIM1        | 30  | I   | Used to set the overcurrent limit for CH1 with 10 $\mu$ A of current flowing through a resistor from this pin to AGND.   |
| ILIM2/VSNS   | 11  | I   | Used to set the overcurrent limit for CH2 with 10 $\mu$ A of current flowing through a resistor from this pin to AGND. In two-phase mode, this pin becomes VSNS as the positive terminal of a remote sense amplifier.  |
| LDRV1        | 22  | O   | Gate drive output for the low-side synchronous rectifier (SR) N-channel MOSFET for CH1.  |
| LDRV2        | 18  | O   | Gate drive output for the low-side synchronous rectifier (SR) N-channel MOSFET for CH2.  |
| PG1          | 27  | O   | Open drain power good indicator for CH1 output voltage.  |
| PG2          | 14  | O   | Open drain power good indicator for CH2 output voltage.  |
| PGND1        | 21  | —   | Power ground 1. Separate power ground for CH1 and CH2 in the PCB layout could potentially reduce channel to channel interference.  |
| PGND2        | 19  | —   | Power ground 2. Separate power ground for CH1 and CH2 in the PCB layout could potentially reduce channel to channel interference.  |
| PHSET        | 32  | I   | Used to set master or slave mode and phase angles. The master emits a 50% duty clock to the slave. The slave synchronizes to the external clock and select the phase shift angle.  |
| RT           | 2   | I   | Connect a resistor from this pin to AGND to set the oscillator frequency.  |
| SW1          | 23  | I   | Connect to the switched node on converter CH1. It is the return for the CH 1 high-side gate driver.  |
| SW2          | 17  | I   | Connect to the switched node on converter CH2. It is the return for the CH 2 high-side gate driver.  |
| SYNC         | 1   | I/O | In master mode, a 2x free running frequency clock is sent out on SYNC pin. In slave mode, sync to an external clock which is $\pm 20\%$ of the free running MASTER_CLOCK frequency. The MASTER_CLOCK frequency is 2x of the free running frequency (set by RT) and operates at 50% duty cycle. When not being used, SYNC must be left floating.  |
| UVLO         | 31  | I   | A resistor divider from VIN determines the input voltage that the controller starts.   |
| VDD          | 26  | I   | Power input to the controller. A low ESR bypass ceramic capacitor of 0.1 $\mu$ F or greater must be connected closely from this pin to AGND.   |

## 6 Specifications

### 6.1 Absolute Maximum Ratings

Over operating free-air temperature range, all voltages are with respect to GND (unless otherwise noted)<sup>(1)</sup>

|             |   | MIN  | MAX | UNIT |
|-------------|---|------|-----|------|
| Voltage     | VDD   | -0.3 | 22  | V    |
|             | SW1, SW2  | -3   | 27  |      |
|             | SW1, SW2 (< 100-ns pulse width)   |      | -5  |      |
|             | SW1, SW2 (< 10-ns pulse width)  | -7.5 | 30  |      |
|             | BOOT1, BOOT2  | -0.3 | 30  |      |
|             | BOOT1, BOOT2 (< 10-ns pulse width)  | -0.5 | 33  |      |
|             | BP6   | -0.3 | 7   |      |
|             | HDRV1, HDRV2  | -2   | 30  |      |
|             | BOOT1-SW1, BOOT2-SW2, HDRV1-SW1, HDRV2-SW2 (differential from BOOT or HDRV to SW) | -0.3 | 7   |      |
|             | All other pins  | -0.3 | 7   |      |
| Temperature | Operating temperature, T <sub>J</sub>   | -40  | 145 | °C   |
|             | Storage temperature, T <sub>stg</sub>   | -55  | 150 |      |

(1) Stresses beyond those listed under *Absolute Maximum Ratings* may cause permanent damage to the device. These are stress ratings only, and functional operation of the device at these or any other conditions beyond those indicated under *Recommended Operating Conditions* is not implied. Exposure to absolute maximum rated conditions for extended periods may affect device reliability.

### 6.2 ESD Ratings

|  |  | VALUE | UNIT |
|--|--|-------|------|
| V <sub>(ESD)</sub> Electrostatic discharge | Human-body model (HBM), per ANSI/ESDA/JEDEC JS-001 <sup>(1)</sup>              | ±2000 | V    |
|  | Charged-device model (CDM), per JEDEC specification JESD22-C101 <sup>(2)</sup> | ±1500 |      |

(1) JEDEC document JEP155 states that 500-V HBM allows safe manufacturing with a standard ESD control process.

(2) JEDEC document JEP157 states that 250-V CDM allows safe manufacturing with a standard ESD control process.

### 6.3 Recommended Operating Conditions

|                  |                                | MIN | MAX | UNIT |
|------------------|--------------------------------|-----|-----|------|
| V <sub>VDD</sub> | Input operating voltage        | 3   | 20  | V    |
| T <sub>J</sub>   | Operating junction temperature | -40 | 125 | °C   |

### 6.4 Thermal Information

| THERMAL METRIC <sup>(1)</sup> |  | TPS40322   | UNIT |
|-------------------------------|--|------------|------|
|                               |  | RHB (VQFN) |      |
|                               |  | 32 PINS    |      |
| R <sub>θJA</sub>              | Junction-to-ambient thermal resistance       | 37.1       | °C/W |
| R <sub>θJC(top)</sub>         | Junction-to-case (top) thermal resistance    | 28.4       | °C/W |
| R <sub>θJB</sub>              | Junction-to-board thermal resistance         | 9.8        | °C/W |
| Ψ <sub>JT</sub>               | Junction-to-top characterization parameter   | 0.4        | °C/W |
| Ψ <sub>JB</sub>               | Junction-to-board characterization parameter | 9.7        | °C/W |
| R <sub>θJC(bot)</sub>         | Junction-to-case (bottom) thermal resistance | 2.6        | °C/W |

(1) For more information about traditional and new thermal metrics, see the *Semiconductor and IC Package Thermal Metrics* application report, [SPRA953](#).

## 6.5 Electrical Characteristics

$T_J = -40^\circ\text{C}$  to  $125^\circ\text{C}$ ,  $V_{DD} = 12\text{ V}$ ,  $R_{RT} = 40\text{ k}\Omega$ ,  $f_{SW} = 500\text{ kHz}$  (unless otherwise noted),

| PARAMETER                                    |   | TEST CONDITIONS                                 | MIN  | TYP       | MAX  | UNIT          |
|--|---|---|------|-----------|------|---------------|
| <b>INPUT SUPPLY</b>                          |   |   |      |           |      |               |
| VDD  | Input voltage range                               |   | 3    |           | 20   | V             |
| IDDSN  | Shutdown  | $V_{ENx/SSx} = 0\text{ V}$                      |      | 200       | 250  | $\mu\text{A}$ |
| IDDQ   | Quiescent, non-switching                          | $V_{FB} = 0.65\text{ V}$ , ENx/SSx float        |      | 6         | 8    | $\text{mA}$   |
| <b>UVLO</b>                                  |   |   |      |           |      |               |
| UVLO   | Minimum turn-on voltage                           |   | 1.21 | 1.24      | 1.27 | V             |
| UVLO <sub>HYS</sub>                          | Hysteresis current                                |   | 13   | 15        | 17   | $\mu\text{A}$ |
| <b>BP REGULATOR</b>                          |   |   |      |           |      |               |
| BP   | Regulator voltage                                 | $7\text{ V} \leq V_{DD} \leq 20\text{ V}$       | 6.2  | 6.5       | 6.8  | V             |
| V <sub>DO</sub>                              | Regulator dropout voltage                         | $I_{BP} = 25\text{ mA}$ , $V_{DD} = 3\text{ V}$ |      | 50        | 100  | mV            |
| I <sub>BP</sub>                              | Regulator continuous current limit <sup>(1)</sup> |   | 100  |           |      | $\text{mA}$   |
| V <sub>BPUVLO</sub>                          | Regulator output UVLO                             |   | 2.40 | 2.70      | 2.95 | V             |
| V <sub>BPUVLO-HYS</sub>                      | Regulator output UVLO hysteresis                  |   | 180  | 210       | 250  | mV            |
| <b>OSCILLATOR AND RAMP GENERATOR</b>         |   |   |      |           |      |               |
| f <sub>SW</sub>                              | Oscillator frequency                              |   | 100  |           | 1000 | $\text{kHz}$  |
|  |   | $R_{RT} = 40\text{ k}\Omega$                    | 450  | 500       | 550  | $\text{kHz}$  |
| V <sub>RAMP</sub>                            | Ramp amplitude (peak-to-peak)                     | $3\text{ V} < V_{DD} < 20\text{ V}$             |      | VDD / 8.5 |      | V             |
| V <sub>VAL</sub>                             | Valley voltage                                    |   |      | 0.85      |      | V             |
| f <sub>SYNC</sub>                            | SYNC frequency range                              |   | 200  |           | 2000 | $\text{kHz}$  |
| t <sub>PW(sync)</sub>                        | SYNC input minimum pulse width                    |   | 100  |           |      | ns            |
| V <sub>H(sync)</sub>                         | Rising edge threshold to set sync pulse           |   | 2    |           |      | V             |
| V <sub>L(sync)</sub>                         | Falling edge threshold to reset sync pulse        |   |      |           | 0.8  | V             |
| f <sub>MASTER</sub>                          | Master clock frequency                            |   | 200  |           | 2000 | $\text{kHz}$  |
| $\Delta f_{\text{SYNC}}$                     | Percent of master frequency for synchronization   |   | -20% |           | 20%  |               |
| V <sub>PHSET</sub>                           | Master  | 0°/180° phase shift                             |      |           | 0.5  | V             |
|  | Slave   | 0°/180° phase shift                             | 0.6  |           | 2    | V             |
|  | Slave   | 90°/270° phase shift                            | 2.1  |           |      | V             |
| <b>PWM</b>                                   |   |   |      |           |      |               |
| PWM(off)                                     | Minimum PWM off-time                              |   |      | 90        | 130  | ns            |
| t <sub>ON(min)</sub>                         | Minimum controllable pulse width                  | See <sup>(1)</sup>                              |      | 90        |      | ns            |
| t <sub>DEAD</sub>                            | Output driver dead time                           | HDRV off to LDRV on                             | 20   | 35        | 40   | ns            |
| t <sub>DEAD</sub>                            | Output driver dead time                           | LDRV off to HDRV on                             | 20   | 35        | 40   | ns            |
| <b>ERROR AMPLIFIER AND VOLTAGE REFERENCE</b> |   |   |      |           |      |               |
| V <sub>FB</sub>                              | FB input voltage                                  | $0^\circ\text{C} < T_J < 70^\circ\text{C}$      | 597  | 600       | 603  | $\text{mV}$   |
|  |   | $-40^\circ\text{C} < T_J < 125^\circ\text{C}$   | 594  | 600       | 606  |               |
| I <sub>FB</sub>                              | FB input bias current                             |   |      | 20        | 75   | $\text{nA}$   |
| GBWP   | Unity gain bandwidth                              | See <sup>(1)</sup>                              |      | 24        |      | $\text{MHz}$  |
| AVOL   | Open loop gain                                    | See <sup>(1)</sup>                              | 80   |           |      | $\text{dB}$   |
| I <sub>OH</sub>                              | High-level output current                         |   |      | 3         |      | $\text{mA}$   |
| I <sub>OL</sub>                              | Low-level output current                          |   |      | 9         |      | $\text{mA}$   |

(1) Specified by design. Not production tested.

**Electrical Characteristics (continued)**
 $T_J = -40^{\circ}\text{C}$  to  $125^{\circ}\text{C}$ ,  $V_{DD} = 12\text{ V}$ ,  $R_{RT} = 40\text{ k}\Omega$ ,  $f_{SW} = 500\text{ kHz}$  (unless otherwise noted),

| PARAMETER                                      |   | TEST CONDITIONS   | MIN   | TYP             | MAX   | UNIT               |
|--|---|---|-------|-----------------|-------|--------------------|
| <b>ENABLE AND SOFT START</b>                   |   |   |       |                 |       |                    |
| $V_{IH}$                                       | High-level input voltage                                      |   | 0.55  | 0.7             | 1     | V                  |
| $V_{IL}$                                       | Low-level input voltage                                       |   | 0.23  | 0.26            | 0.3   | V                  |
| $I_{SS}$                                       | Soft-start source current                                     |   | 8     | 10              | 12    | $\mu\text{A}$      |
| $V_{SS}$                                       | Soft-start voltage level                                      |   |       | 0.8             |       | V                  |
| $I_{DISCHG}$                                   | Soft-start discharge current                                  |   |       | 130             |       | $\mu\text{A}$      |
| <b>OVERCURRENT PROTECTION</b>                  |   |   |       |                 |       |                    |
| $I_{LIM}$                                      | ILIM program current  | $T_J = 25^{\circ}\text{C}$                                      | 9.5   | 10              | 10.5  | $\mu\text{A}$      |
| $t_{HICCP}$                                    | Hiccup cycles to recover                                      |   |       | 6               |       | Cycles             |
| <b>CURRENT SENSE AMPLIFIER</b>                 |   |   |       |                 |       |                    |
| $V_{DIFF}$                                     | Differential input voltage range                              |   | -60   |                 | 60    | mV                 |
| $V_{CM}$                                       | Input common mode range                                       |   | 0     |                 | 5.6   | V                  |
| $A_{CS}$                                       | Current sensing gain  |   |       | 15              |       | V/V                |
| $V_{CSOUT}$                                    | Current sense amplifier output                                | $V_{CSIN} = 20\text{ mV}$ , $T_J = 25^{\circ}\text{C}$          | 270   | 300             | 330   | mV                 |
| $f_{CO}$                                       | Closed loop bandwidth <sup>(1)</sup>                          |   | 3     |                 |       | MHz                |
|  | Current sense amplifier output difference between CH1 and CH2 | $V_{CSIN} = 20\text{ mV}$ to both CS1 and CS2                   | -15   |                 | 15    | mV                 |
| <b>OVERVOLTAGE AND UNDERVOLTAGE PROTECTION</b> |   |   |       |                 |       |                    |
| $V_{OVP}$                                      | Feedback voltage limit for OVP                                |   | 679   | 700             | 735   | mV                 |
| $V_{UVP}$                                      | Feedback voltage limit for UVP                                |   | 475   | 500             | 525   | mV                 |
| <b>GATE DRIVERS</b>                            |   |   |       |                 |       |                    |
| $R_{HDHI}$                                     | High-side driver pull-up resistance                           | $V_{BOOT} - V_{SW} = 6.5\text{ V}$ , $I_{HDRV} = -40\text{ mA}$ | 0.8   | 1.5             | 2.5   | $\Omega$           |
| $R_{HDLO}$                                     | High-side driver pull-down resistance                         | $V_{BOOT} - V_{SW} = 6.5\text{ V}$ , $I_{HDRV} = 40\text{ mA}$  | 0.5   | 1               | 1.6   | $\Omega$           |
| $R_{LDHI}$                                     | Low-side driver pull-up resistance                            | $I_{LDRV} = -40\text{ mA}$                                      | 0.8   | 1.5             | 2.5   | $\Omega$           |
| $R_{LDLO}$                                     | Low-side driver pull-down resistance                          | $I_{LDRV} = 40\text{ mA}$                                       | 0.35  | 0.6             | 1.3   | $\Omega$           |
| $t_{HRISE}$                                    | High-side driver rise time                                    | $C_{LOAD} = 5\text{ nF}$ , See <sup>(1)</sup>                   |       | 15              |       | ns                 |
| $t_{HFALL}$                                    | High-side driver fall time                                    | $C_{LOAD} = 5\text{ nF}$ , See <sup>(1)</sup>                   |       | 12              |       | ns                 |
| $t_{LRISE}$                                    | Low-side driver rise time                                     | $C_{LOAD} = 5\text{ nF}$ , See <sup>(1)</sup>                   |       | 15              |       | ns                 |
| $t_{LFALL}$                                    | Low-side driver fall time                                     | $C_{LOAD} = 5\text{ nF}$ , See <sup>(1)</sup>                   |       | 10              |       | ns                 |
| <b>BOOT SWITCH</b>                             |   |   |       |                 |       |                    |
| $V_{DFWD}$                                     | Bootstrap switch voltage drop                                 | $I_{BOOT} = 5\text{ mA}$  |       | 0.1             |       | V                  |
| <b>REMOTE SENSE</b>                            |   |   |       |                 |       |                    |
| $V_{IOFSET}$                                   | Input offset voltage  | $V_{DIFFO} = 0.9\text{ V}$                                      | -2    |                 | 2     | mV                 |
| Gain   | Differential gain   |   | 0.995 |                 | 1.005 | V/V                |
| BW   | Close loop bandwidth <sup>(1)</sup>                           |   | 2     |                 |       | MHz                |
| $V_{DIFFO}$                                    | Output voltage at DIFFO pin                                   |   |       | $V_{BP6} - 0.2$ |       | V                  |
| $I_{SRC}$                                      | Output source current   |   |       |                 | 1     | mA                 |
| $I_{SNK}$                                      | Output sink current   |   |       |                 | 1     | mA                 |
| <b>POWERGOOD</b>                               |   |   |       |                 |       |                    |
| $V_{OV}$                                       | Feedback voltage limit for PGOOD                              |   | 650   | 675             | 697   | mV                 |
| $V_{UV}$                                       | Feedback voltage limit for PGOOD                              |   | 510   | 525             | 545   | mV                 |
| $V_{PGD(hyst)}$                                | PGOOD hysteresis voltage at FB                                |   |       | 25              | 40    | mV                 |
| $R_{RGD}$                                      | PGOOD pull down resistance                                    |   |       | 50              | 70    | $\Omega$           |
| $I_{PGD(leak)}$                                | PGOOD leakage current   |   |       |                 | 20    | $\mu\text{A}$      |
| <b>THERMAL SHUTDOWN</b>                        |   |   |       |                 |       |                    |
| $T_{SD}$                                       | Junction shutdown temperature                                 | See <sup>(1)</sup>  |       | 150             |       | $^{\circ}\text{C}$ |
| $T_{SD(hyst)}$                                 | Hysteresis  | See <sup>(1)</sup>  |       | 20              |       | $^{\circ}\text{C}$ |



## 6.6 Typical Characteristics

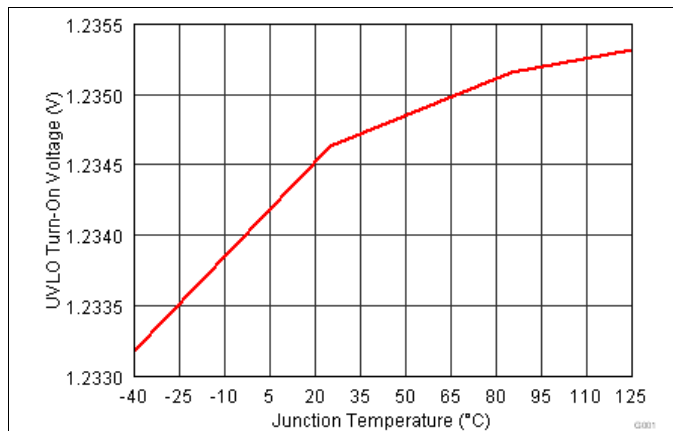


Figure 1. UVLO Turn-On Voltage vs Junction Temperature

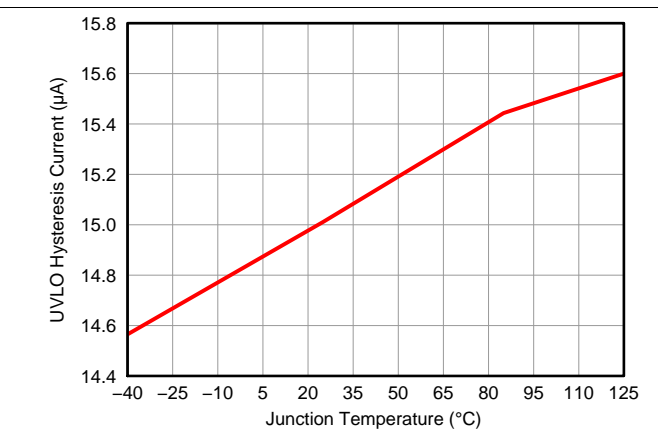


Figure 2. UVLO Hysteresis Current vs Junction Temperature

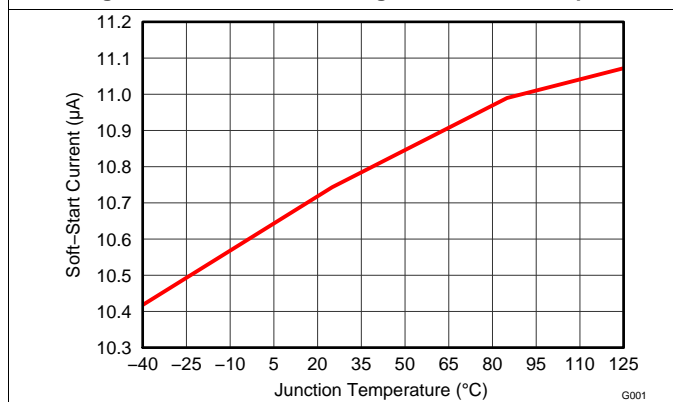


Figure 3. Soft-Start Current vs Junction Temperature

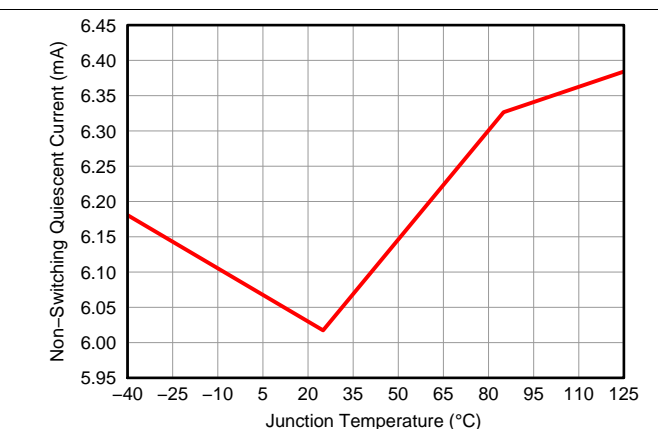


Figure 4. Non-Switching Quiescent Current vs Junction Temperature

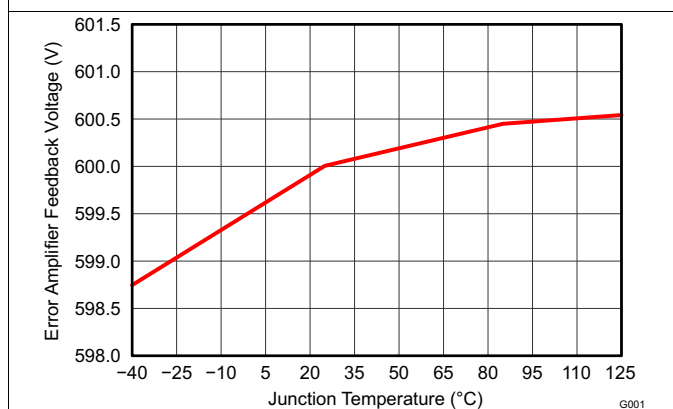


Figure 5. Error Amplifier Feedback Voltage vs Junction Temperature

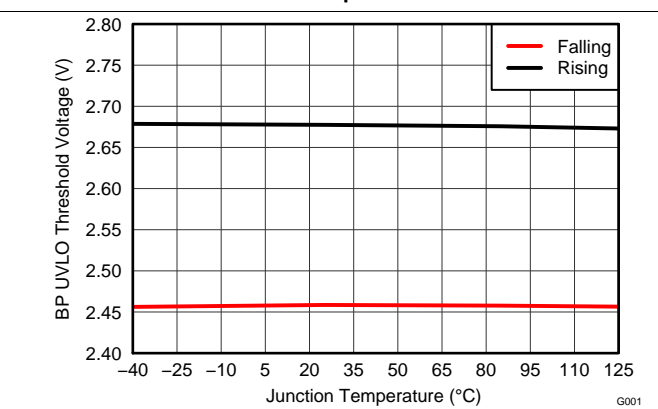


Figure 6. BP UVLO Threshold vs Junction Temperature

Typical Characteristics (continued)

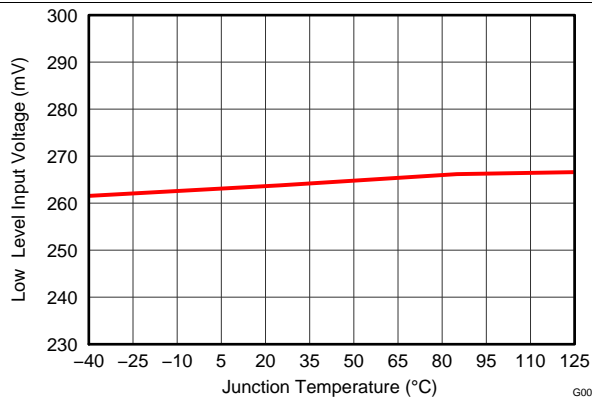


Figure 7. ENx Low-Level Inout Voltage vs Junction Temperature

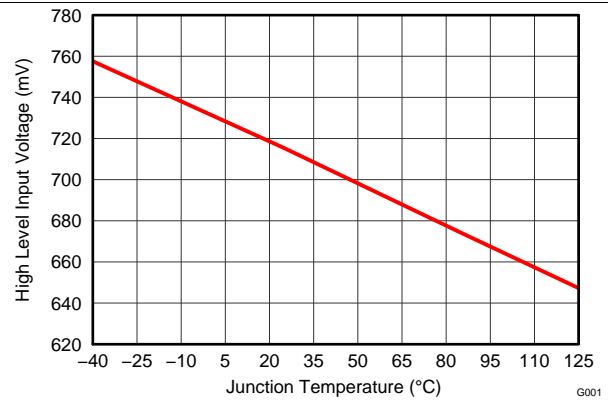


Figure 8. ENx High-Level Inout Voltage vs Junction Temperature

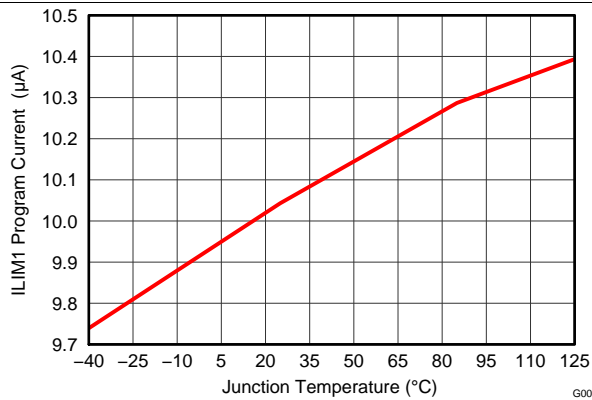


Figure 9. Current Limit vs Junction Temperature

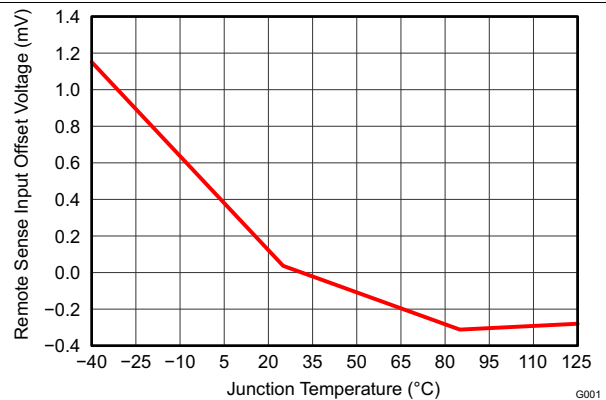


Figure 10. Remote Sense Input Offset Voltage vs Junction Temperature

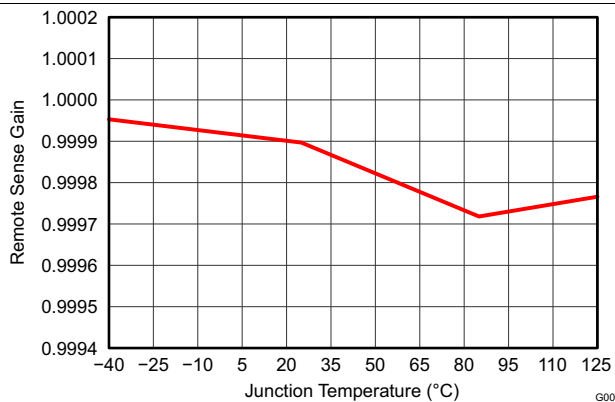


Figure 11. Remote Sense Gain vs Junction Temperature

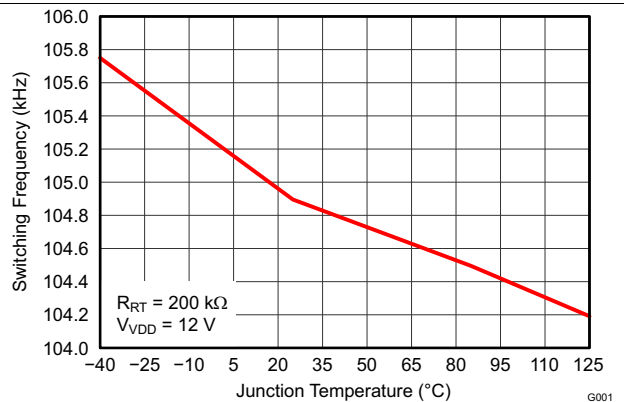
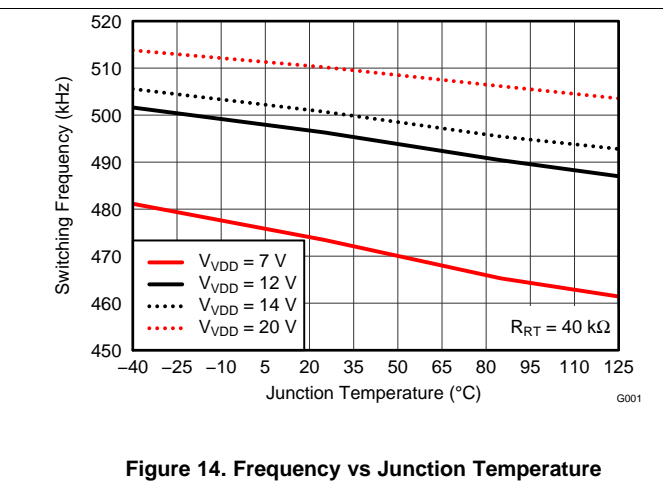
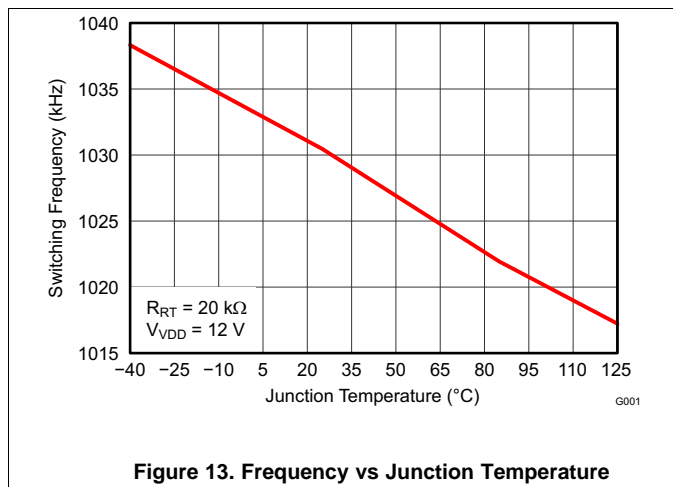


Figure 12. Frequency vs Junction Temperature

**Typical Characteristics (continued)**



## 7 Detailed Description

### 7.1 Overview

The TPS40322 is a flexible synchronous buck controller. It can be used as a dual-output controller, or as a two-phase, single-output controller. It operates with a wide input range from 3 V to 20 V and can generate an accurate regulated output as low as 600 mV.

In dual output mode, voltage mode control with input feedforward architecture is implemented. With this architecture, the benefits are less noise sensitivity, no control instability issues for small DCR applications, and a smaller minimum controllable on-time, often desired for high conversion ratio applications.

In two-phase, single-output mode, a current-sharing loop is implemented to ensure a balance of current between phases. Because the induced error current signal to the loop is much smaller when compared to the PWM ramp amplitude, the control loop is modeled as voltage mode with input feedforward.

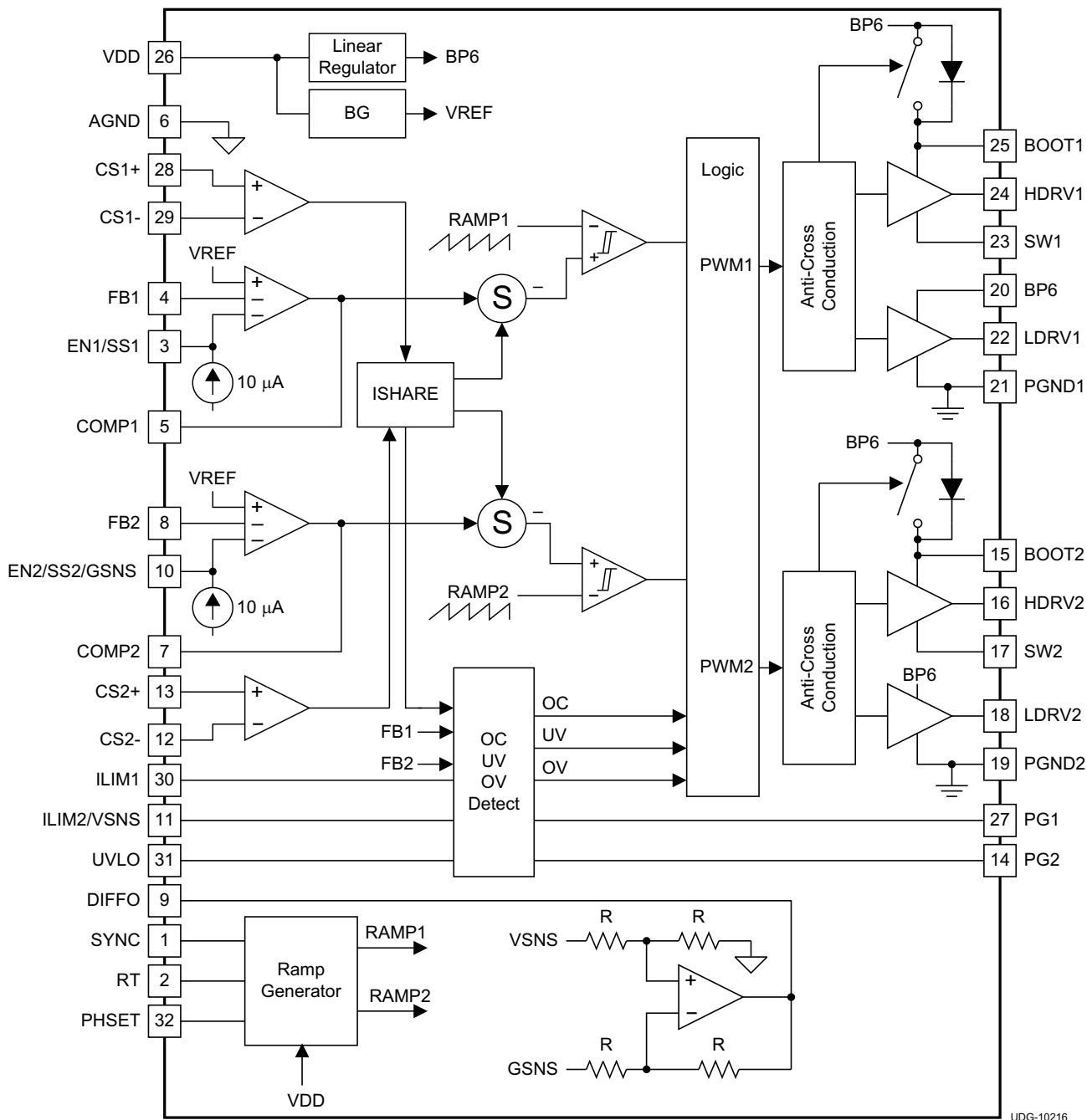
---

#### **DESIGN NOTE**

When the device is operating in dual output mode, DIFFO must be floating or tied to BP6.

---

## 7.2 Functional Block Diagram



UDG-10216

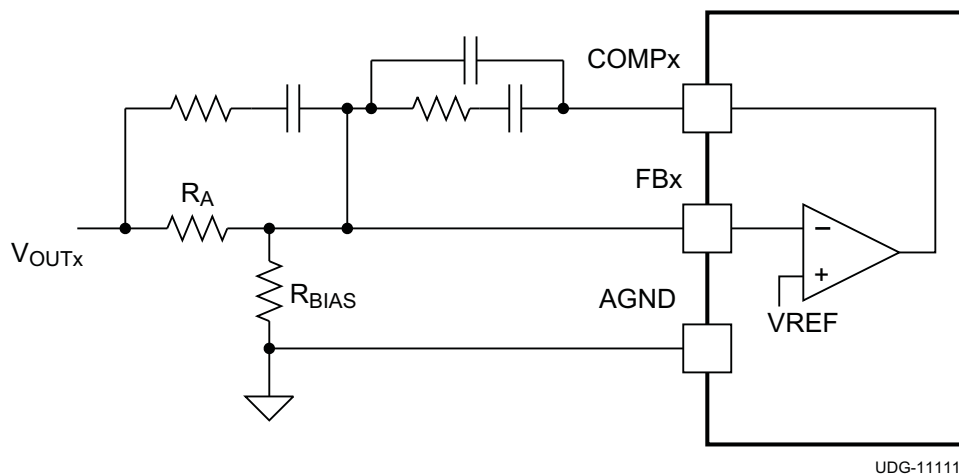
## 7.3 Feature Description

### 7.3.1 Voltage Reference

The 600-mV band gap cell is internally connected to the non-inverting input of the error amplifier. The reference voltage is trimmed with the error amplifier in a unity gain configuration to remove amplifier offset from the final regulation voltage. The 0.5% tolerance on the reference voltage allows the user to design a very accurate power supply.

### 7.3.2 Output Voltage Setting

The output voltages of the TPS40322 are set by using external feedback resistor dividers as shown in Figure 15. The regulated output voltage ( $V_{OUT}$ ) is determined by Equation 1.



**Figure 15. Setting the Output Voltage**

$$V_{OUT} = 0.6V \times \left( 1 + \frac{R_A}{R_{BIAS}} \right) \quad (1)$$

### 7.3.3 Input Voltage Feedforward

The TPS40322 uses input voltage feedforward to maintain a constant power stage gain as the input voltage varies and provides very good response to input voltage transient disturbances. The simple constant power stage gain of the controller greatly simplifies feedback loop design because the loop characteristics remain constant as the input voltage changes, unlike a typical buck converter without voltage feedforward. For modeling purposes, the gain from the COMP pin to the average voltage at the input of the L-C filter is typically 8.5 V/V.

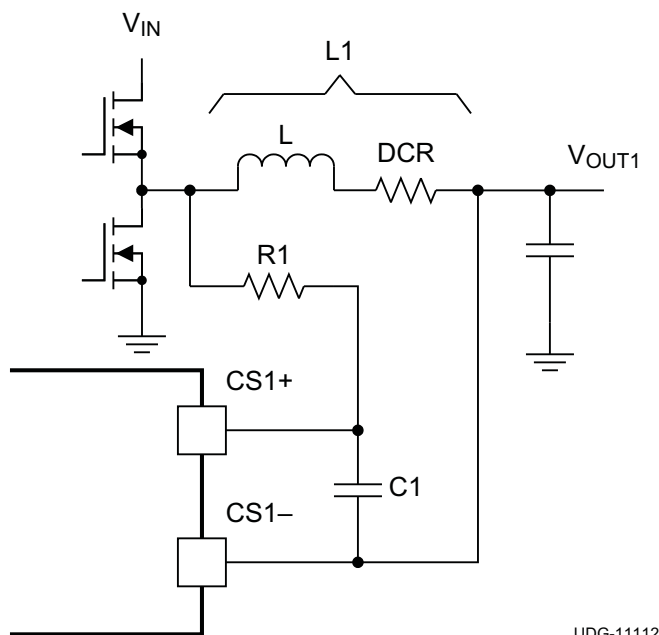
## Feature Description (continued)

### 7.3.4 Current Sensing

The TPS40322 uses a differential current sense design to sense the output current. The sense element can be the series resistance of the power stage filter inductor or a separate current sense resistor. When using the inductor series resistance as shown in Figure 16, an R-C filter must be used to remove the large AC component voltage across the inductor so that only the component of the voltage that remains is across the resistance of the inductor (see Figure 16).

The values of R1 and C1 for an ideal design can be calculated using Equation 2. The time constant of the R-C filter must equal the time constant of the inductor itself. If the time constants are equal, the voltage across C1 equals the current in the inductor multiplied by the inductor resistance. The inductor ripple current is reflected in the voltage across C1. Typically a capacitor with a value of 0.1-μF is recommended for C1.

Refer to the [Layout](#) section for proper placement of the sensing elements.



UDG-11112

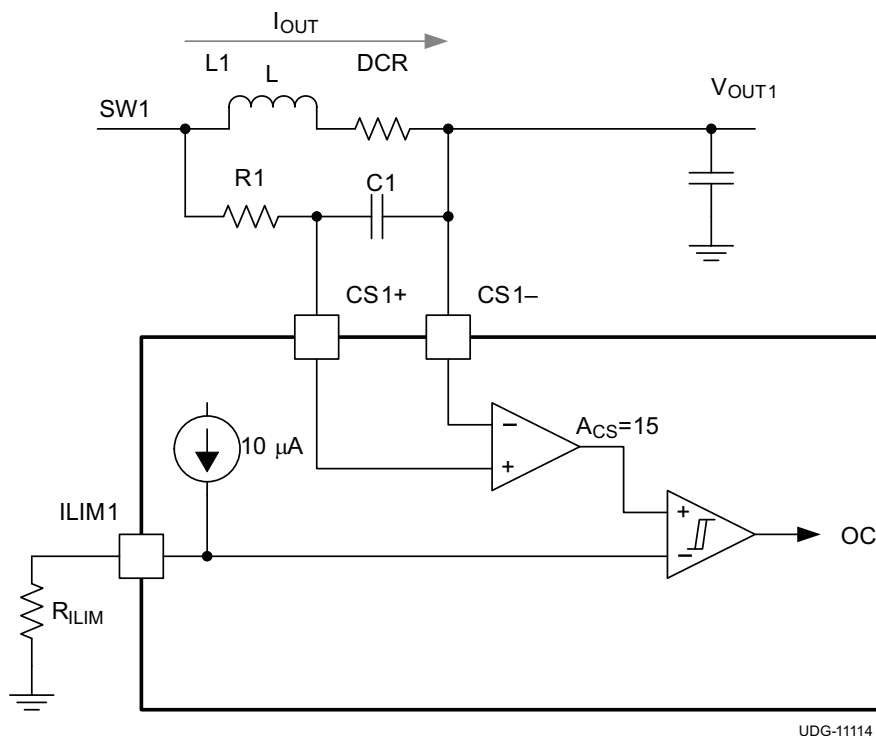
Figure 16. Inductor DCR Current Sensing

$$R1 \times C1 = \frac{L1}{DCR} \tag{2}$$

## Feature Description (continued)

### 7.3.5 Overcurrent Protection

The TPS40322 has dedicated ILIM pins for each channel for use when operating in dual-output mode. When operating in two-phase mode, both channels share the same overcurrent level set by ILIM1. The overcurrent level is set with a resistor connected from the ILIMx pin to analog ground. The sensed current signal is amplified by the CS amplifier with a gain of 15, and then compared with the established overcurrent level to determine if there is an OC fault. This design is shown in Figure 17.



**Figure 17. Overcurrent Protection**

Equation 3 is the current limit resistance ( $R_{LIM}$ ) calculation for desired overcurrent limit.

$$R_{LIM} = \frac{\left( I_{OC} + \left( \frac{I_{RIPPLE}}{2} \right) \right) \times DCR \times A_{CS}}{I_{LIM}}$$

where

- $I_{OC}$  is the desired DC over current limit level
- $I_{RIPPLE}$  is the inductor peak-peak ripple current
- DCR is the inductor DC resistance
- $A_{CS}$  is the current sensing amplifier gain (typically 15)
- $I_{LIM}$  is the internal source current out of ILIMx pin (typically 10  $\mu$ A)

(3)

The TPS40322 implements cycle-by-cycle current limit when the inductor peak current has exceeded the set limit. When the controller counts three consecutive clock cycles of an overcurrent condition, the high-side and low-side MOSFETs are turned off and the controller enters a hiccup mode. After six soft-start cycles, normal switching is attempted. If the overcurrent has cleared, normal operation resumes, otherwise the sequence repeats.



## Feature Description (continued)

### 7.3.6 Two-Phase Mode, Remote Sense Amplifier, and Current Sharing Loop

The TPS40322 can be configured to operate in single-output, two-phase mode for high-current applications. With proper selection of the external MOSFETs, this device can support up to 50-A of load current in a two-phase configuration. As shown in Figure 18, to configure the TPS40322 for two-phase mode, FB2 is tied to BP6. In this mode, COMP1 must be connected to COMP2 to ensure current sharing between the two phases. For high-current applications, the remote sense amplifier is used to compensate for the parasitic offset to provide an accurate output voltage. The EN2/SS2 and ILIM2 pins are designed for multiple functions. They are used as VSNS and GSNS for remote sensing in two-phase mode. DIFFO, which is the output of the remote sensing amplifier, is connected to the resistor divider of the feedback network.

Note that BP6 powers the remote sense amplifier. The DIFFO voltage must be 0.2-V lower than the BP6 voltage under all conditions. If BP6 is lower than DIFFO voltage, the converter loses regulation. To ensure no regulation loss, use a remote sense amplifier when the application output voltage is lower than 2.2 V. For an application in which the output voltage is higher than 2.2 V, the remote sense amplifier can be bypassed and the voltage output can be connected to the feedback resistor divider directly.

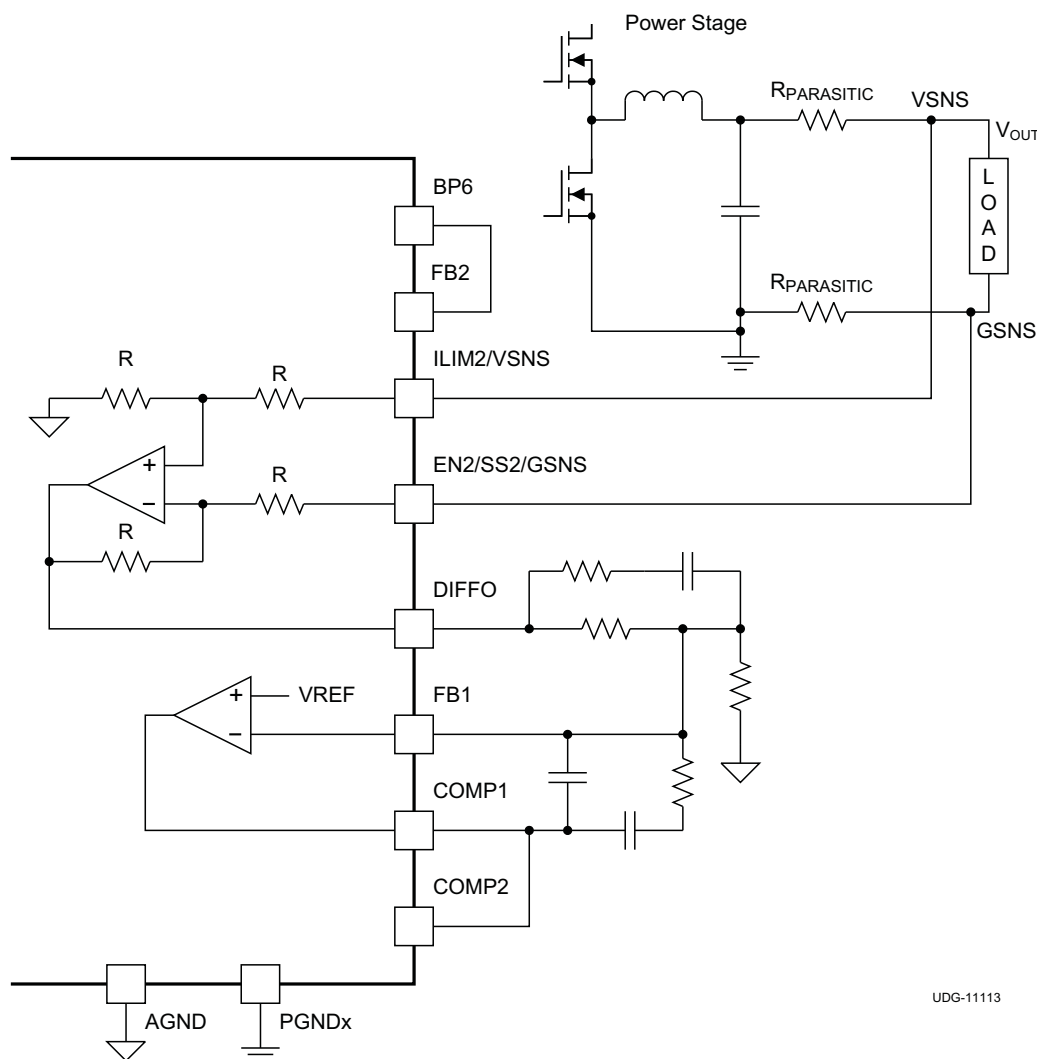
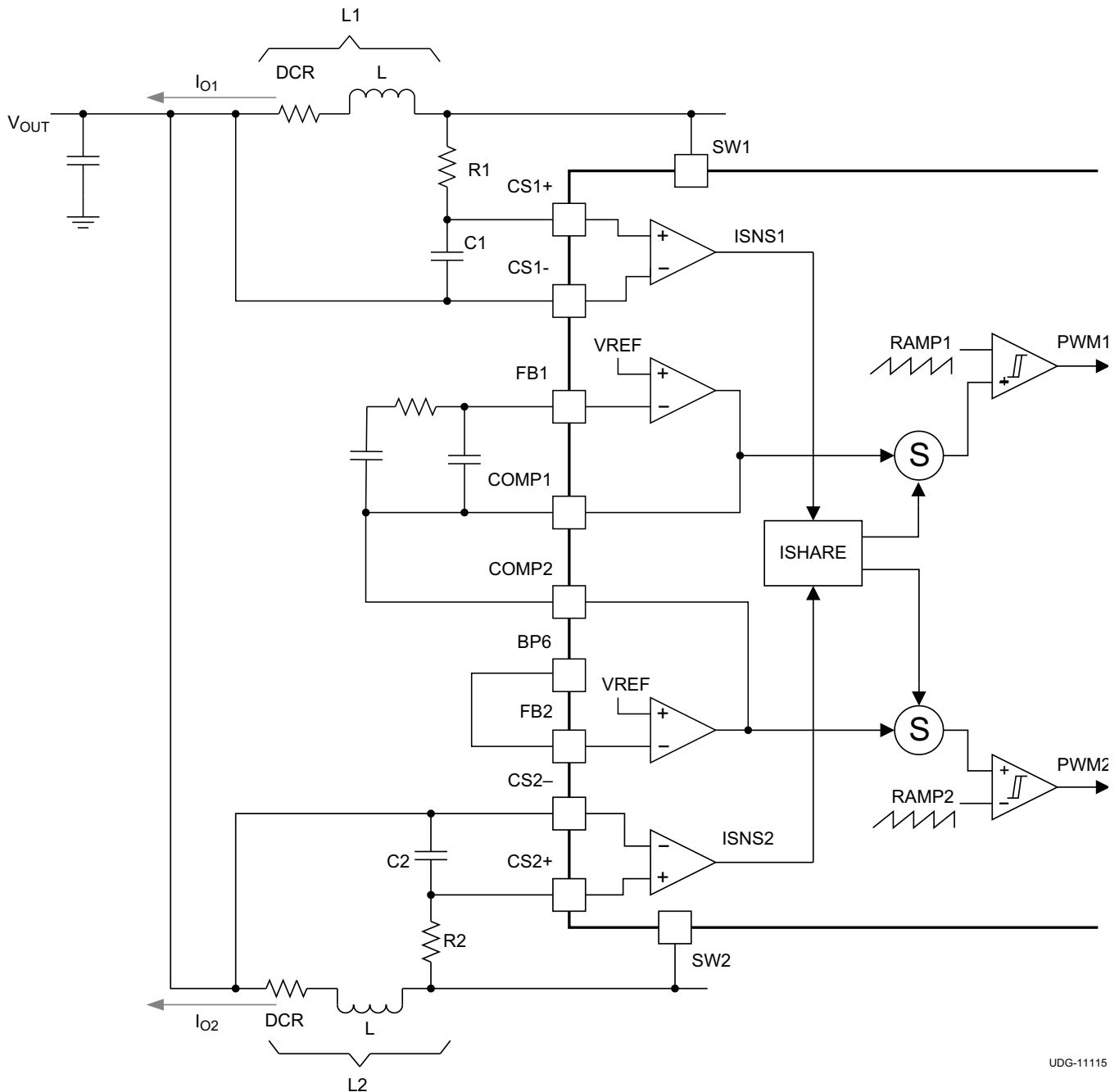


Figure 18. Two-Phase Mode Voltage Loop Configuration

**Feature Description (continued)**

When the device operates in two-phase mode, a current sharing loop as shown in [Figure 19](#) is designed to maintain the current balance between phases. Both phases share the same comparator voltage (COMP1). The sensed current from each phase is compared first in a current share block, then each signal is summed with COMP. The resulted error voltage is compared with the voltage ramp to generate the PWM pulse for each channel.



UDG-11115

**Figure 19. Two-Phase Mode Current Share Loop**

## Feature Description (continued)

### 7.3.7 Start-Up and Shutdown

#### 7.3.7.1 Start-Up Sequence

When the ENx/SSx pin is pulled below 0.3 V, the respective channel is disabled. When ENx/SSx is released, the controller starts automatically and an internal 40- $\mu$ A current source begins to charge the external soft-start capacitor. When the voltage across the soft-start capacitor is over 0.7 V, the internal BP regulator is enabled. The ENx/SSx voltage is clamped to 1.3 V while waiting for signals indicating that BP6, VDD, and the oscillator clock are good. After all the signals are confirmed, ENx/SSx is discharged to 0.4 V with a 140- $\mu$ A current source, and then charged again with the internal 10- $\mu$ A current source. The operation is described by the waveform shown in Figure 20.  $V_{SS\_INT}$  is an internal signal level shifted from ENx/SSx and then connected to the non-inverting terminal of the error amplifier.

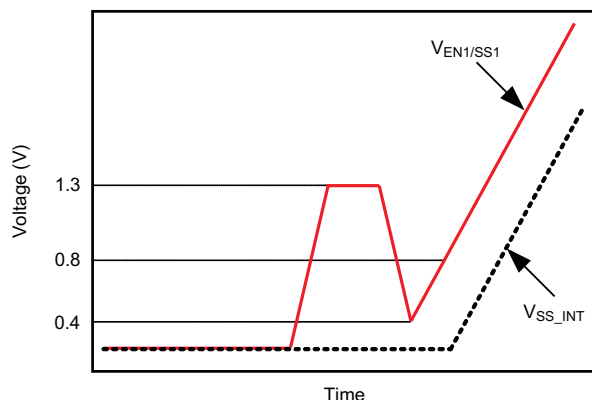


Figure 20. EN/SS Start-Up Waveform

The soft-start time is determined by the internal charge current and the external capacitance. The actual output ramp-up time is the time for the internal current source to charge the capacitor through a 600-mV range. There is some initial lag time due to the offset (800 mV typical) from the actual ENx/SSx pin voltage to  $V_{SS\_INT}$ . The soft-start sequence takes place in a closed loop fashion, meaning that the error amplifier controls the output voltage constantly during the soft-start period and the feedback loop is never open (as occurs in duty cycle limit soft-start designs). The error amplifier has two non-inverting inputs, one connected to the 600-mV reference voltage, and the other connected to the offset  $V_{SS\_INT}$ . The error amplifier controls the FB pin to the lower of these two voltages. As the voltage on the ENx/SSx pin ramps up past approximately 1.4 V (800-mV offset voltage plus the 600-mV reference voltage), the 600-mV reference voltage becomes the dominant input and the converter has reached its final regulation voltage.

Equation 4 is the calculation for soft-start capacitance.

$$C_{SS} = \frac{t_{SS} \times I_{SS}}{600\text{mV}}$$

where

- $C_{SS}$  is the soft-start capacitance connected to ENx/SSx pin
- $t_{SS}$  is the desired soft-start time
- $I_{SS}$  is the internal soft-start current (typically 10  $\mu$ A)

(4)

## Feature Description (continued)

### 7.3.7.2 Prebiased Output Start-Up

The TPS40322 contains a circuit that prevents current from being pulled from the output during the start-up sequence in a pre-biased output condition. There are no PWM pulses until the internal soft-start voltage rises above the error amplifier input (FBx pin), if the output is pre-biased. Once the soft-start voltage exceeds the error amplifier input, the device slowly initiates synchronous rectification by starting the synchronous rectifier with a narrow on-time. It then increments that on-time on a cycle-by-cycle basis until it coincides with the time dictated by (1-D), where D is the duty cycle of the converter. This approach prevents the sinking of current from a pre-biased output, and ensures the output voltage start-up and ramp-to-regulation sequences are smooth and controlled.

#### DESIGN NOTE

During the soft-start sequence, when the PWM pulse width is shorter than the minimum controllable on-time, which is generally caused by the PWM comparator and gate driver delays, pulse skipping may occur and the output might show larger ripple voltage.

### 7.3.7.3 Shutdown

During the shutdown sequence, BP6 is controlled by ENx/SSx. If both of ENx/SSx pins are pulled low, BP6 is turned off regardless of the input voltage remaining higher than the programmed UVLO threshold.

### 7.3.8 Switching Frequency and Master or Slave Synchronization

The switching frequency is set by the value of the resistor connected from the RT pin to AGND. The RT resistor value is calculated in [Equation 5](#).

$$R_{RT} = \frac{20 \times 10^9}{f_{SW}}$$

where

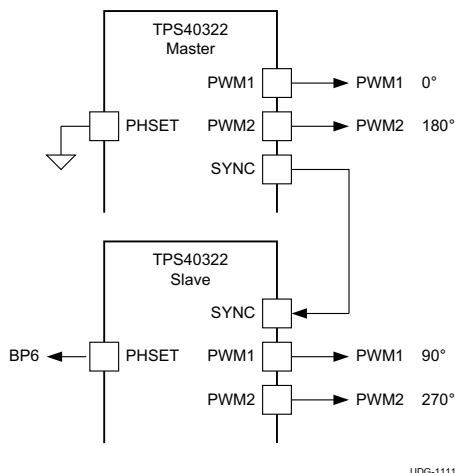
- $R_{RT}$  is the the resistor from RT pin to AGND, in  $\Omega$
- $f_{SW}$  is the desired switching frequency, in Hz (5)

The TPS40322 device can also synchronize to an external clock that is  $\pm 20\%$  of the master clock frequency which is two times the free running frequency. Each TPS40322 can be set by the PHSET pin as either master or slave. The master produces a 50% duty cycle clock to the slave. The slave synchronizes to the external clock with 50% duty cycle and selects the phase shift angle as shown in [Table 1](#).

[Figure 21](#) shows an example of synchronizing two TPS40322 devices to generate an evenly distributed shift to reduce input ripple.

**Table 1. Phase Shift Angle Selection**

| PHSET      |           | MODE   | PHASE ANGLE (°) |     |
|------------|-----------|--------|-----------------|-----|
| CONNECTION | RANGE (V) |        | CH1             | CH2 |
| AGND       | < 0.5     | Master | 0               | 180 |
| Floating   | 0.6 to 2  | Slave  | 0               | 180 |
| High       | > 2.1     | Slave  | 90              | 270 |



UDG-11117

Figure 21. Synchronizing Two TPS40322 Devices

### 7.3.9 Overvoltage and Undervoltage Fault Protection

The TPS40322 has output overvoltage protection and undervoltage protection capability. The comparators that regulate the overvoltage and undervoltage conditions use the FBx pin as the output sensing point so the filtering effect of the compensation network connected from COMPx to FBx has an effect on the speed of detection. As the output voltage rises or falls below the nominal value, the error amplifier attempts to force FBx to match its reference voltage. When the error amplifier is no longer able to do this, the FB pin begins to drift and trip the overvoltage threshold ( $V_{OVP}$ ) or the undervoltage threshold ( $V_{UVP}$ ) as described in the [Electrical Characteristics](#) table.

When an undervoltage fault is detected, the TPS40322 enters hiccup mode and resumes normal operation when the fault is cleared.

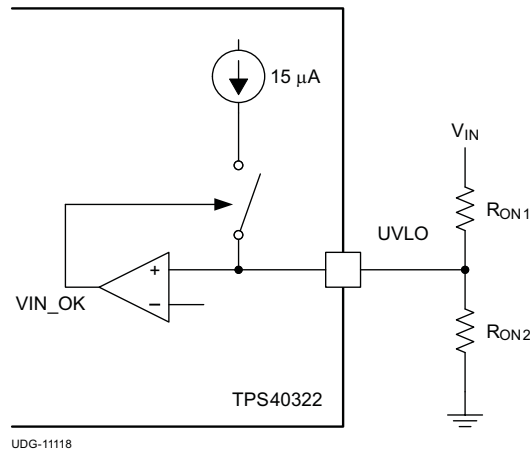
When an overvoltage fault is detected, the TPS40322 turns off the high-side MOSFET and latches on the low-side MOSFET to discharge the output current to the regulation level (within the Power Good window).

When operating in dual-channel mode, both channels have identical yet independent protection schemes, which means one channel is not affected when the other channel is in fault mode.

When operating in two-phase mode, only the FB1 pin is detected for overvoltage and undervoltage fault. Therefore both channels take action together during a fault.

### 7.3.10 Input Undervoltage Lockout (UVLO)

A dedicated UVLO pin allows the user to program the desired input turn-on threshold voltage. The diagram is shown in [Figure 22](#). The desired input turn-on threshold can be calculated using [Equation 6](#). The input turn off hysteresis can be calculated using [Equation 7](#).


**Figure 22. Input UVLO Diagram**

$$V_{IN\_UVLO} = 1.24 \text{ V} \times \left( \frac{R_{ON1} + R_{ON2}}{R_{ON2}} \right) \quad (6)$$

$$V_{IN\_HYS} = 15 \mu\text{A} \times R_{ON1} \quad (7)$$

### 7.3.11 Power Good

The TPS40322 provides an indication that output is good for each channel. This is an open-drain signal that pulls low when any condition exists that would indicate that the output of the supply might be out of regulation. These conditions include:

- Feedback voltage ( $V_{FB}$ ) is more than  $\pm 12.5\%$  from nominal
- Soft-start is active

### 7.3.12 Thermal Shutdown

If the junction temperature of the device reaches the thermal shutdown limit of  $150^\circ\text{C}$ , the PWMs and the oscillators are turned off and HDRVs and LDRVs are driven low. When the junction cools to the required level ( $130^\circ\text{C}$  typical), the PWM initiates soft start as during a normal power-up cycle.

### 7.3.13 Connection of Unused Pins

In some case, it is possible that some pins are not used. For example, if only channel 1 is used, then pins for channel 2 need to be properly connected as well. The unused pin connections are summarized in [Table 2](#).

**Table 2. Unused Pin Connections**

| PIN NAME     | CONNECTION  |
|--------------|---|
| BOOTx        | Floating  |
| COMPx        | Floating  |
| CSx-         | Connect to a voltage between 0 V and 5.6 V, short to CSx+ |
| CSx+         | Short to CSx-   |
| DIFFO        | Floating  |
| EN1/SS1      | Connect to ground   |
| EN2/SS2/GSNS | Connect to ground   |
| FBx          | Connect to ground   |
| HDRVx        | Floating  |
| ILIM1        | Connect to ground through a 100-kΩ resistor               |
| ILIM2/VSNS   | Connect to ground through a 100-kΩ resistor               |
| LDRVx        | Floating  |
| PGx          | Connect to ground   |
| PHSET        | Connect to ground   |
| SWx          | Connect to ground   |
| SYNCx        | Floating  |

### 7.4 Device Functional Modes

At dual-output configuration, EN1/SS1 and EN2/SS2/GSNS pins are used to enable or disable switching of channel 1 and channel 2, respectively. Floating the pin turns the channel on, pulling the pin low turns the channel off. At two-phase configuration, EN1/SS1 pin is used to enable and disable switching of both channels.

## 8 Applications and Implementation

---

### NOTE

Information in the following applications sections is not part of the TI component specification, and TI does not warrant its accuracy or completeness. TI's customers are responsible for determining suitability of components for their purposes. Customers should validate and test their design implementation to confirm system functionality.

---

### 8.1 Application Information

The TPS40322 is a dual-output, synchronous buck controller, and it can also be configured as a two-phase controller.

### 8.2 Typical Applications



### 8.2.1 Dual-Output Configuration from 12-V Nominal to 1.2-V and 1.8-V DC-to-DC Converter Using the TPS40322

This section explains the design process and component selection for a dual output synchronous buck converter using TPS40322 controller. The design goal parameters are listed in Table 3. The design procedure provides calculations for channel 1 only. User can apply similar calculation for channel 2.

Figure 23 shows the dual output converter schematic for this design example.

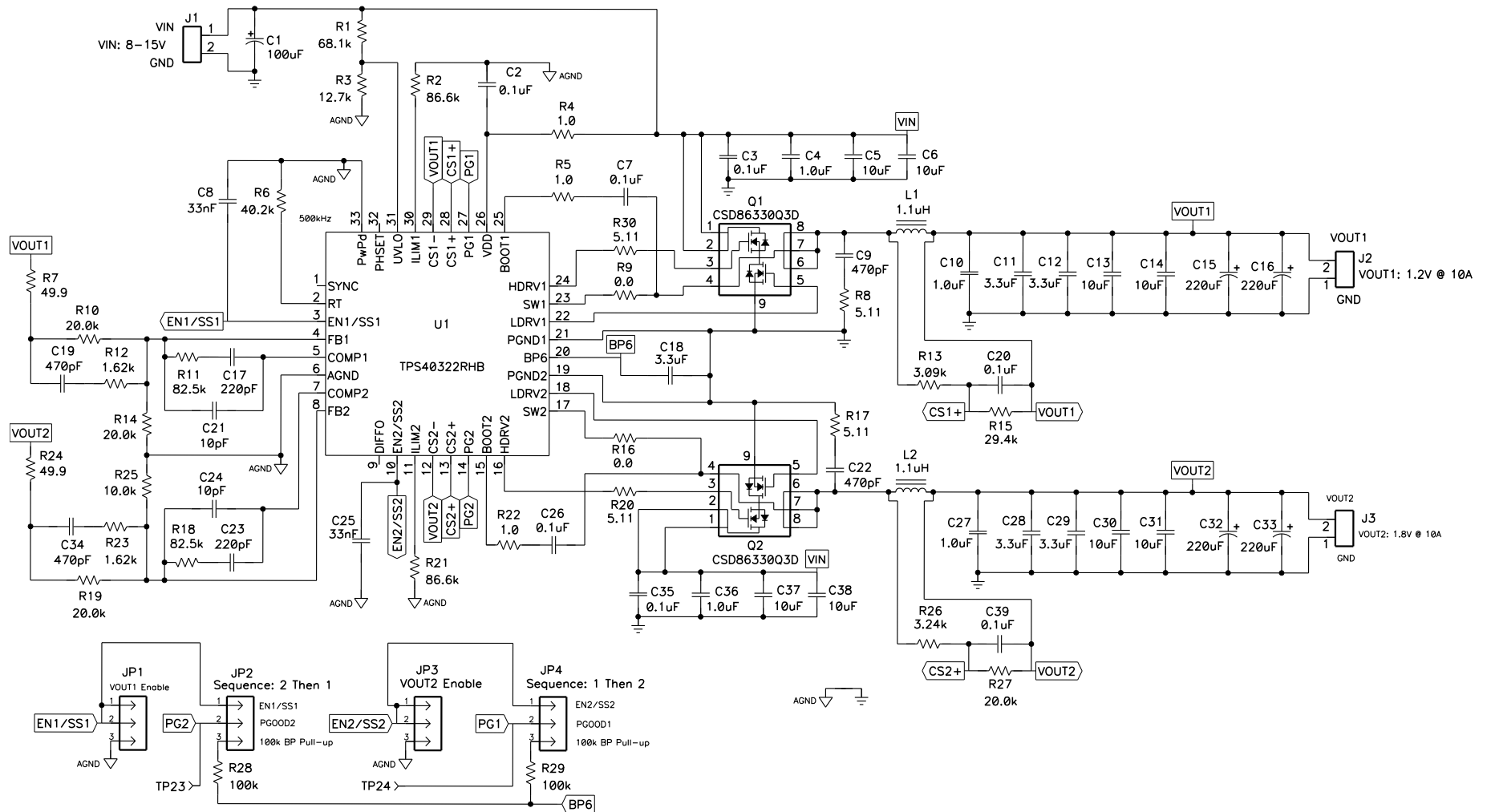


Figure 23. Design Example 1, Dual Output Converter Schematic

### 8.2.1.1 Design Requirements

The design goal parameters are listed in [Table 3](#).

**Table 3. TPS40322 Dual Output Design Example Specification**

| PARAMETER                       |                                  | TEST CONDITION   | MIN | TYP | MAX  | UNIT |
|---------------------------------|----------------------------------|--|-----|-----|------|------|
| <b>INPUT CHARACTERISTICS</b>    |                                  |  |     |     |      |      |
| V <sub>IN</sub>                 | Input voltage                    |  | 8   | 12  | 15   | V    |
| V <sub>IN(ripple)</sub>         | Input ripple                     | I <sub>OUT1</sub> = I <sub>OUT2</sub> = 10 A                         |     |     | 0.25 | V    |
| <b>OUTPUT 1 CHARACTERISTICS</b> |                                  |  |     |     |      |      |
| V <sub>OUT1</sub>               | Output voltage                   | I <sub>OUT1(min)</sub> ≤ I <sub>OUT1</sub> ≤ I <sub>OUT1(max)</sub>  |     | 1.2 |      | V    |
|                                 | Line regulation                  | V <sub>IN(min)</sub> ≤ V <sub>IN</sub> ≤ V <sub>IN(max)</sub>        |     |     | 0.5% |      |
|                                 | Load regulation                  | I <sub>OUT1(min)</sub> ≤ I <sub>OUT1</sub> ≤ I <sub>OUT1(max)</sub>  |     |     | 0.5% |      |
| V <sub>RIPPLE1</sub>            | Output ripple                    | I <sub>OUT1</sub> = I <sub>OUT1(max)</sub>                           |     |     | 24   | mV   |
| V <sub>OVER1</sub>              | Output overshoot                 | ΔI <sub>OUT1</sub> = 5 A   |     | 40  |      | mV   |
| V <sub>UNDER1</sub>             | Output undershoot                | ΔI <sub>OUT1</sub> = 5 A   |     | 40  |      | mV   |
| I <sub>OUT1</sub>               | Output current                   | V <sub>IN(min)</sub> ≤ V <sub>IN</sub> ≤ V <sub>IN(max)</sub>        | 0   |     | 10   | A    |
| I <sub>SCP1</sub>               | Short circuit current trip point |  |     | 15  |      | A    |
| <b>OUTPUT 2 CHARACTERISTICS</b> |                                  |  |     |     |      |      |
| V <sub>OUT2</sub>               | Output voltage                   | I <sub>OUT2(min)</sub> ≤ I <sub>OUT2</sub> ≤ I <sub>OUT2(max)</sub>  |     | 1.8 |      | V    |
|                                 | Line regulation                  | V <sub>IN(min)</sub> ≤ V <sub>IN</sub> ≤ V <sub>IN(max)</sub>        |     |     | 0.5% |      |
|                                 | Load regulation                  | I <sub>OUT2(min)</sub> ≤ I <sub>OUT2</sub> ≤ I <sub>OUT2(max)</sub>  |     |     | 0.5% |      |
| V <sub>RIPPLE2</sub>            | Output ripple                    | I <sub>OUT2</sub> = I <sub>OUT2(max)</sub>                           |     |     | 36   | mV   |
| V <sub>OVER2</sub>              | Output overshoot                 | ΔI <sub>OUT2</sub> = 5 A   |     | 40  |      | mV   |
| V <sub>UNDER2</sub>             | Output undershoot                | ΔI <sub>OUT2</sub> = 5 A   |     | 40  |      | mV   |
| I <sub>OUT2</sub>               | Output current                   | V <sub>IN(min)</sub> ≤ V <sub>IN</sub> ≤ V <sub>IN(max)</sub>        | 0   |     | 10   | A    |
| I <sub>SCP2</sub>               | Short circuit current trip point |  |     | 15  |      | A    |
| <b>GENERAL CHARACTERISTICS</b>  |                                  |  |     |     |      |      |
| t <sub>SS</sub>                 | Soft-start time                  | V <sub>IN</sub> = 12 V   |     | 2   |      | ms   |
| η                               | Efficiency                       | V <sub>IN</sub> = 12 V, I <sub>OUT1</sub> = I <sub>OUT2</sub> = 10 A |     | 88% |      |      |
| f <sub>SW</sub>                 | Switching frequency              |  |     | 500 |      | kHz  |

### 8.2.1.2 Detailed Design Procedure

[Inductor Selection \(L1\)](#) through [General Device Components](#) show equations and calculations regarding V<sub>OUT1</sub>. V<sub>OUT2</sub> values can be calculated using similar equations. See [Table 4](#) for the list of materials.

**Table 4. Design Example 1, Dual-Output List of Materials**

| REFERENCE DESIGNATOR    | QTY | DESCRIPTION   | PART NUMBER    | MFR             |
|-------------------------|-----|---|----------------|-----------------|
| C1                      | 1   | Capacitor, Aluminum, 100 μF, 35 V, ±20%, 0.328 x 0.328 inch | EEV-FK1V101GP  | Panasonic - ECG |
| C2, C7, C20, C26, C39   | 5   | Capacitor, Ceramic, 0.1 μF, 50 V, X7R, ±10%, 0603           | Std            | Std             |
| C3, C35                 | 2   | Capacitor, Ceramic, 0.1 μF, 25 V, X5R, ±10%, 0402           | Std            | Std             |
| C4, C36                 | 2   | Capacitor, Ceramic, 1.0 μF, 25 V, X7R, ±10%, 0603           | Std            | Std             |
| C5, C6, C37, C38        | 4   | Capacitor, Ceramic, 10 μF, 25 V, X5R, ±10%, 0805            | Std            | Std             |
| C8, C25                 | 2   | Capacitor, Ceramic, 33 nF, 16 V, X7R, ±10%, 0603            | Std            | Std             |
| C9, C19, C22, C34       | 4   | Capacitor, Ceramic, 470 pF, 25 V, C0G, NP0, ±5%, 0603       | Std            | Std             |
| C10, C27                | 2   | Capacitor, Ceramic, 1.0 μF, 6.3 V, X5R, ±10%, 0402          | Std            | Std             |
| C11, C12, C18, C28, C29 | 5   | Capacitor, Ceramic, 3.3 μF, 10 V, X5R, ±10%, 0603           | C1608X5R1A335K | TDK Corporation |

**Table 4. Design Example 1, Dual-Output List of Materials (continued)**

| REFERENCE DESIGNATOR | QTY | DESCRIPTION  | PART NUMBER   | MFR               |
|----------------------|-----|--|---------------|-------------------|
| C13, C14, C30, C31   | 4   | Capacitor, Ceramic, 10 $\mu$ F, 6.3 V, X7R, $\pm$ 10%, 0805                      | Std           | Std               |
| C15, C16, C32, C33   | 4   | Capacitor, Polymer Aluminum, 220 $\mu$ F, 4 V, $\pm$ 20%, 5 m $\Omega$ ESR       | EEF-SE0G221ER | Panasonic - ECG   |
| C17, C23             | 2   | Capacitor, Ceramic, 220 pF, 50 V, C0G, NP0, $\pm$ 5%, 0603                       | Std           | Std               |
| C21, C24             | 2   | Capacitor, Ceramic, 10 pF, 50 V, C0G, NP0, $\pm$ 5%, 0603                        | Std           | Std               |
| C40                  | 1   | Capacitor, Ceramic, 1.0 nF, 25 V, C0G, NP0, $\pm$ 5%, 0603                       | Std           | Std               |
| L1, L2               | 2   | Inductor, Power Choke, 1.1 $\mu$ H, $\pm$ 20%, 3.15 m $\Omega$ , 7.0 mm x 6.9 mm | 744314110     | Würth Elektronik  |
| Q1, Q2               | 2   | MOSFET, Synchronous Buck NexFET Power Block, QFN-8 POWER                         | CSD86330Q3D   | Texas Instruments |
| R1                   | 1   | Resistor, Chip, 68.1 k $\Omega$ , 1/10 W, $\pm$ 1%, 0603                         | Std           | Std               |
| R2, R21              | 2   | Resistor, Chip, 86.6 k $\Omega$ , 1/10 W, $\pm$ 1%, 0603                         | Std           | Std               |
| R3                   | 1   | Resistor, Chip, 12.7 k $\Omega$ , 1/10 W, $\pm$ 1%, 0603                         | Std           | Std               |
| R4, R5, R22          | 3   | Resistor, Chip, 1.00 $\Omega$ , 1/10 W, $\pm$ 1%, 0603                           | Std           | Std               |
| R6                   | 1   | Resistor, Chip, 40.2 k $\Omega$ , 1/10 W, $\pm$ 1%, 0603                         | Std           | Std               |
| R7, R24              | 2   | Resistor, Chip, 49.9 $\Omega$ , 1/10 W, $\pm$ 1%, 0603                           | Std           | Std               |
| R8, R17              | 2   | Resistor, Chip, 5.11 $\Omega$ , 1/8 W, $\pm$ 1%, 0805                            | Std           | Std               |
| R9, R16              | 2   | Resistor, Chip, 0 $\Omega$ , 1/10 W, $\pm$ 1%, 0603                              | Std           | Std               |
| R10, R14, R19, R27   | 4   | Resistor, Chip, 20.0 k $\Omega$ , 1/10 W, $\pm$ 1%, 0603                         | Std           | Std               |
| R11, R18             | 2   | Resistor, Chip, 82.5 k $\Omega$ , 1/10 W, $\pm$ 1%, 0603                         | Std           | Std               |
| R12, R23             | 2   | Resistor, Chip, 1.62 k $\Omega$ , 1/10 W, $\pm$ 1%, 0603                         | Std           | Std               |
| R13                  | 1   | Resistor, Chip, 3.09 k $\Omega$ , 1/10 W, $\pm$ 1%, 0603                         | Std           | Std               |
| R15                  | 1   | Resistor, Chip, 29.4 k $\Omega$ , 1/10 W, $\pm$ 1%, 0603                         | Std           | Std               |
| R20, R30             | 2   | Resistor, Chip, 5.11 $\Omega$ , 1/10 W, $\pm$ 1%, 0603                           | Std           | Std               |
| R25                  | 1   | Resistor, Chip, 10.0 k $\Omega$ , 1/10 W, $\pm$ 1%, 0603                         | Std           | Std               |
| R26                  | 1   | Resistor, Chip, 3.24 k $\Omega$ , 1/10 W, $\pm$ 1%, 0603                         | Std           | Std               |
| R28, R29             | 2   | Resistor, Chip, 100 k $\Omega$ , 1/10 W, $\pm$ 1%, 0603                          | Std           | Std               |
| U1                   | 1   | TPS40322 Dual Synchronous Buck Controller, QFN-32                                | TPS40322RHB   | Texas Instruments |

### 8.2.1.2.1 Selecting a Switching Frequency

To maintain acceptable efficiency and meet minimum on-time requirements, a 500-kHz switching frequency is selected.

### 8.2.1.2.2 Inductor Selection (L1)

Synchronous BUCK power inductors are typically sized for approximately 20%–40% peak-to-peak ripple current ( $I_{\text{RIPPLE}}$ ). Given a target ripple current of 30%, the required inductor size, at maximum rated output current, can be calculated using [Equation 8](#).

$$L1 \approx \frac{V_{\text{IN(max)}} - V_{\text{OUT1}}}{0.3 \times I_{\text{OUT1}}} \times \frac{V_{\text{OUT1}}}{V_{\text{IN(max)}}} \times \frac{1}{f_{\text{SW}}} = \frac{15\text{V} - 1.2\text{V}}{0.3 \times 10\text{A}} \times \frac{1.2\text{V}}{15\text{V}} \times \frac{1}{500\text{kHz}} = 0.736\mu\text{H} \quad (8)$$

Selecting a standard, readily available inductor, with a rated inductance is 0.88  $\mu$ H at 10 A,  $I_{\text{RIPPLE1}} = 2.5$  A.

The RMS current through the inductor is approximated by the equation:

$$I_{L1(\text{rms})} = \sqrt{\left(I_{L1(\text{avg})}\right)^2 + \left(\frac{1}{2} \times I_{\text{RIPPLE1}}\right)^2} = \sqrt{\left(I_{\text{OUT1}}\right)^2 + \left(\frac{1}{2} \times I_{\text{RIPPLE1}}\right)^2} = \sqrt{10^2 + \left(\frac{1}{2} \times 2.5\right)^2} = 10.026\text{A} \quad (9)$$

### 8.2.1.2.3 Output Capacitor Selection (C10 through C16)

The selection of the output capacitor is typically driven by the output transient response requirement. Equation 10 and Equation 11 over-estimate the voltage deviation to account for delays in the loop bandwidth and can be used to determine the required output capacitance:

$$V_{\text{OVER1}} < \frac{\Delta I_{\text{OUT1}}}{C_{\text{OUT1}}} \times \Delta t = \frac{\Delta I_{\text{OUT1}}}{C_{\text{OUT1}}} \times \frac{\Delta I_{\text{OUT1}} \times L1}{V_{\text{OUT1}}} = \frac{(\Delta I_{\text{OUT1}})^2 \times L1}{V_{\text{OUT1}} \times C_{\text{OUT1}}} \quad (10)$$

$$V_{\text{UNDER1}} < \frac{\Delta I_{\text{OUT1}}}{C_{\text{OUT1}}} \times \Delta t = \frac{\Delta I_{\text{OUT1}}}{C_{\text{OUT1}}} \times \frac{\Delta I_{\text{OUT1}} \times L1}{V_{\text{IN}} - V_{\text{OUT1}}} = \frac{(\Delta I_{\text{OUT1}})^2 \times L1}{(V_{\text{IN}} - V_{\text{OUT1}}) \times C_{\text{OUT1}}} \quad (11)$$

When  $V_{\text{IN}(\text{min})} > 2 \times V_{\text{OUT1}}$ , use the overshoot equation,  $V_{\text{OVER1}}$ , to calculate minimum output capacitance. When  $V_{\text{IN}(\text{min})} < 2 \times V_{\text{OUT1}}$  use Equation 11,  $V_{\text{UNDER1}}$ , to calculate minimum output capacitance. In this design example,  $V_{\text{IN}(\text{min})}$  is much larger than  $2 \times V_{\text{OUT1}}$  so Equation 12 is used to determine the required minimum output capacitance.

$$C_{\text{OUT1}(\text{min})} = \frac{(\Delta I_{\text{OUT1}})^2 \times L1}{V_{\text{OUT}} \times V_{\text{OVER1}}} = \frac{5^2 \times 0.88 \mu\text{H}}{1.2 \times 40 \text{mV}} = 458 \mu\text{F} \quad (12)$$

With a minimum capacitance, the maximum allowable ESR is determined by the maximum ripple voltage and is approximated by Equation 13.

$$\text{ESR}_{\text{MAX}} = \frac{V_{\text{RIPPLE1}} - V_{\text{RIPPLE}(\text{cap})}}{I_{\text{RIPPLE1}}} = \frac{V_{\text{RIPPLE1}} - \left( \frac{I_{\text{RIPPLE1}}}{8 \times C_{\text{OUT1}} \times f_{\text{SW}}} \right)}{I_{\text{RIPPLE1}}} = \frac{24 \text{mV} - \left( \frac{2.5 \text{A}}{8 \times 458 \mu\text{F} \times 500 \text{kHz}} \right)}{2.5 \text{A}} = 9 \text{m}\Omega \quad (13)$$

Two 220- $\mu\text{F}$ , 4-V, aluminum electrolytic capacitors were chosen for load response requirements. Additionally two 0805 10- $\mu\text{F}$ , X7R, along with two 0603, 3.3- $\mu\text{F}$  X5R, and one 1- $\mu\text{F}$ , X5R ceramic capacitors are selected for low ESR and high frequency decoupling.

### 8.2.1.2.4 Peak Current Rating of Inductor

With the output capacitance known, it is possible to calculate the charge current during start-up and determine the minimum saturation current rating for the inductor. The start-up charging current is approximated using Equation 14.

$$I_{\text{CHARGE}} = \frac{V_{\text{OUT1}} \times C_{\text{OUT1}}}{t_{\text{SS}}} = \frac{1.2 \text{V} \times (2 \times 220 \mu\text{F} + 2 \times 10 \mu\text{F} + 2 \times 3.3 \mu\text{F} + 1 \mu\text{F})}{2 \text{ms}} = 0.281 \text{A} \quad (14)$$

$$I_{\text{L1}(\text{peak})} = I_{\text{OUT1}(\text{max})} + \left( \frac{1}{2} \times I_{\text{RIPPLE1}} \right) + I_{\text{CHARGE}} = 10 \text{A} + \left( \frac{1}{2} \times 2.5 \text{A} \right) + 0.281 \text{A} = 11.53 \text{A} \quad (15)$$

**Table 5. Inductor Requirements Summary**

| PARAMETER |                                  | VALUE  | UNIT          |
|-----------|----------------------------------|--------|---------------|
| L1        | Inductance                       | 0.88   | $\mu\text{H}$ |
| IL1_RMS   | RMS current (thermal rating)     | 10.026 | A             |
| IL1_PEAK  | Peak current (saturation rating) | 11.53  | A             |

A 744314110 from Würth Electronics with 1.1- $\mu\text{H}$  zero current inductance is selected. Inductance for this part is 0.88- $\mu\text{H}$  at 10-A bias. This 15-A, 3.15-m $\Omega$  inductor exceeds the minimum inductor ratings in a 7-mm x 7-mm package.

### 8.2.1.2.5 Input Capacitor Selection (C3 through C6)

The input voltage ripple is divided between the capacitance and ESR of the input capacitor. For this design  $V_{\text{RIPPLE}(\text{cap})} = 200 \text{mV}$  and  $V_{\text{RIPPLE}(\text{esr})} = 50 \text{mV}$ . The minimum capacitance and maximum ESR are estimated using Equation 16.

$$C_{IN(min)} = \frac{I_{OUT1} \times V_{OUT1}}{V_{RIPPLE(cap)} \times V_{IN(min)} \times f_{SW}} = \frac{10\text{ A} \times 1.2\text{ V}}{200\text{ mV} \times 8\text{ V} \times 500\text{ kHz}} = 15\text{ }\mu\text{F} \quad (16)$$

$$ESR_{MAX} = \frac{V_{RIPPLE(esr)}}{I_{OUT1} + \left(\frac{1}{2} \times I_{RIPPLE1}\right)} = \frac{50\text{ mV}}{11.25\text{ A}} = 4.44\text{ m}\Omega \quad (17)$$

The RMS current in the input capacitors is estimated using [Equation 18](#).

$$I_{RMS(cin1)} = I_{OUT1} \times \sqrt{D \times (1-D)} = 10\text{ A} \times \sqrt{0.15 \times (1-0.15)} = 3.57\text{ A} \quad (18)$$

$$D = \frac{V_{OUT1}}{V_{IN(min)}} \quad (19)$$

To achieve these goals, two 0805, 10- $\mu\text{F}$  capacitors, one 0605, 1.0- $\mu\text{F}$  capacitor and one 0402, 0.1- $\mu\text{F}$  X5R ceramic capacitor are combined at the input.

#### 8.2.1.2.6 MOSFET Selection (Q1)

Texas Instruments CSD86330, 20-A power block device was chosen. This device incorporates the high-side and low-side MOSFETs in a single 3 mm x 3 mm package. The high-side MOSFET has an on-resistance ( $R_{DS(on)}$ ) of 8.8 m $\Omega$ , while the low-side on-resistance ( $R_{DS(on)}$ ) is 4.6 m $\Omega$ , both at 4.5 V gate voltage. A 5.11- $\Omega$  gate resistor is used on the HDRV pin on each device for added noise immunity.

#### 8.2.1.2.7 ILIM Resistor (R2)

The output current is sensed across the DCR of the L1 output inductor. An RC combination having a time constant equal to that of the L1 inductance and the DCR is used to extract the current information as a voltage. A standard capacitor value of 0.1- $\mu\text{F}$  is used. The resistor, R13, can be calculated using [Equation 20](#).

$$R13 = \frac{L1}{C \times R_{DCR}} = \frac{0.88\text{ }\mu\text{H}}{0.1\text{ }\mu\text{F} \times 3.15\text{ m}\Omega} = 2.8\text{ k}\Omega \quad (20)$$

A standard 3.09-k $\Omega$  resistor was selected.

This design limits the maximum voltage drop across the current sense inputs,  $V_{CS(max)}$ , to 50 mV. If the voltage drop across the DCR of the inductor is greater than  $V_{CS(max)}$ , after allowing for 20% overshoot spikes and a 20% variation in the DCR value, then a resistor is added to divide the voltage down to 50 mV. The divider resistor, R15, is calculated by [Equation 21](#).

$$R15 = \frac{R13 \times V_{CS(max)}}{\left(V_{DCR} - V_{CS(max)}\right)}$$

where

- $V_{DCR} = (DCR \times 1.2) \times (I_{L(peak)} \times 1.2)$  (21)

The maximum DCR voltage drop is given by [Equation 22](#).

$$V_{OC} = \left[ \left( I_{OUT1} + \frac{I_{RIPPLE1}}{2} \right) \times 1.2 \right] \times (DCR \times 1.2) = \left[ \left( 10\text{ A} + \frac{2.5\text{ A}}{2} \right) \times 1.2 \right] \times (3.15\text{ m}\Omega \times 1.2) = 51.05\text{ mV} \quad (22)$$

The current limit resistor is calculated using the minimum ILIM programming current,  $I_{LIM(min)}$ , the maximum current sense amplifier gain,  $A_{CS}$ , and assuming a current sense amplifier minimum input offset voltage,  $V_{OS(min)}$  equal to -3 mV.

$$R_{LIM} = \frac{\left(V_{OC} - V_{OS(min)}\right) \times A_{CS}}{I_{LIM(min)}} = \frac{(51.05\text{ mV} - (-3\text{ mV})) \times 15\text{ V/V}}{9.5\text{ }\mu\text{A}} = 85.3\text{ k}\Omega \cong 86.6\text{ k}\Omega \quad (23)$$

### 8.2.1.2.8 Feedback Divider (R10, R14)

The TPS40322 controller uses a full operational amplifier with an internally fixed 0.600-V reference. The value for R10 is selected between 10-k $\Omega$  and 50-k $\Omega$  for a balance of feedback current and noise immunity. With the R10 resistor set to 20-k $\Omega$ , the output voltage is programmed with a resistor divider given by Equation 24.

$$R14 = \frac{V_{FB} \times R10}{V_{OUT1} - V_{FB}} = \frac{0.600 \text{ V} \times 20.0 \text{ k}\Omega}{1.2 \text{ V} - 0.600 \text{ V}} = 20 \text{ k}\Omega \quad (24)$$

### 8.2.1.2.9 Compensation: (R11, R12, C17, C19, C21)

Using the [TPS40k Loop Stability Tool](#) for an 85-kHz bandwidth and 50° of phase margin with an R10 value of 20.0 k $\Omega$ , and measuring the theoretical results in the laboratory and modifying accordingly for system optimization yields the following values:

- C21 = 10 pF
- C17 = 220 pF
- C19 = 470 pF
- R12 = 4.42 k $\Omega$
- R11 = 82.5 k $\Omega$

### 8.2.1.2.10 Boot-Strap Capacitor (C7)

To ensure proper charging of the high-side FET gate, limit the ripple voltage on the boost capacitor to < 100 mV.

$$C_{BOOST} = \frac{Q_{G1}}{V_{BOOT(ripple)}} = \frac{7 \text{ nC}}{100 \text{ mV}} = 70 \text{ nF} \approx 100 \text{ nF} \quad (25)$$

### 8.2.1.2.11 General Device Components

#### 8.2.1.2.11.1 Synchronization (SYNC Pin)

The SYNC pin must be left open for independent dual outputs.

#### 8.2.1.2.11.2 RT Resistor (R6)

The desired switching frequency is programmed by the current through R<sub>RT</sub> to GND. The value of R<sub>RT</sub> is calculated using Equation 26.

$$R_{RT} = \frac{20^9}{f_{SW}} = \frac{20^9}{500 \text{ kHz}} = 40 \text{ k}\Omega \approx 40.2 \text{ k}\Omega \quad (26)$$

#### 8.2.1.2.11.3 Differential Amplifier Out (DIFFO Pin)

In dual output configuration the DIFFO pin is not used and must remain open (unconnected).

#### 8.2.1.2.11.4 EN/SS Timing Capacitors (C8)

The soft-start capacitor provides smooth ramp of the error amplifier reference voltage for controlled start-up. The soft-start capacitor is selected using Equation 27.

$$C_{SS} = \frac{t_{SS} \times I_{SS}}{V_{FB}} = \frac{2 \text{ ms} \times 10 \mu\text{A}}{0.6 \text{ V}} \approx 33 \text{ nF} \quad (27)$$

#### 8.2.1.2.11.5 Power Good (PG1, PG2 Pins)

PG1 and PG2 can each be pulled up to BP6 through a 100-k $\Omega$  resistor, or remain not-connected. For sequencing the start-up of output 1 before output 2, connect PG1 to EN2/SS2; for sequencing the start-up of output 2 before output 1, connect PG2 to EN1/SS1.

#### 8.2.1.2.11.6 Phase Set (PHSET Pin)

The PHSET pin can be connected to ground or connected to the BP6 pin.

**8.2.1.2.11.7 UVLO Programming Resistors (R1 and R3)**

The UVLO hysteresis level is programmed by R1 with Equation 28 and Equation 29.

$$R_{UVLO(hys)} = \frac{V_{UVLO(on)} - V_{UVLO(off)}}{I_{UVLO}} = \frac{8V - 7V}{15\mu A} = 66.7k\Omega \approx 68.1k\Omega \tag{28}$$

$$R_{UVLO(set)} > R_{UVLO(hys)} \times \frac{V_{UVLO(max)}}{(V_{UVLO(on\_min)} - V_{UVLO(max)})} = 68.1k\Omega \times \frac{1.25V}{(8.0V - 1.25V)} = 12.6k\Omega \approx 12.7k\Omega \tag{29}$$

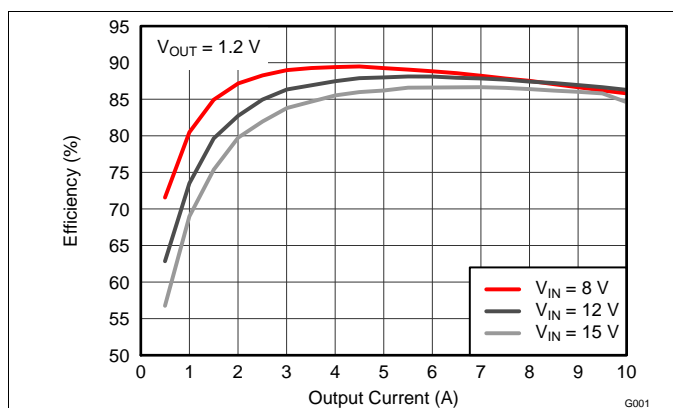
**8.2.1.2.11.8 VDD Bypass Capacitor (C2)**

As shown in the Pin Configuration and Functions section, use a 0.1-μF, 50-V, X7R capacitor for VDD bypass.

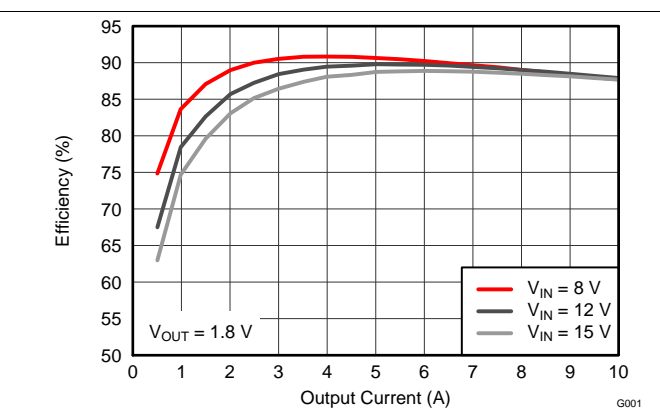
**8.2.1.2.11.9 VBP6 Bypass Capacitor (C18)**

Select a 3.3-μF (or greater) low ESR capacitor for BP6. For this design use a 3.3-μF, X5R ceramic capacitor.

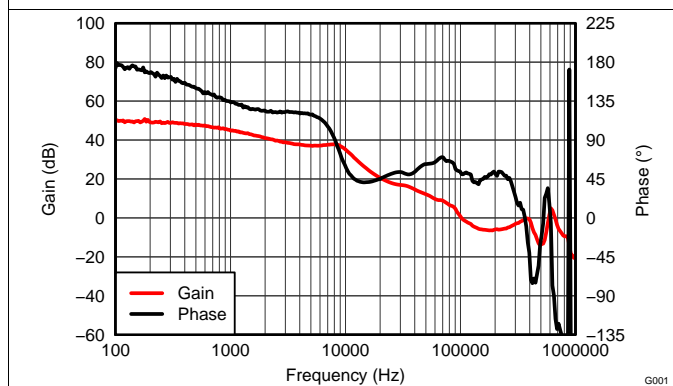
**8.2.1.3 Application Curves**



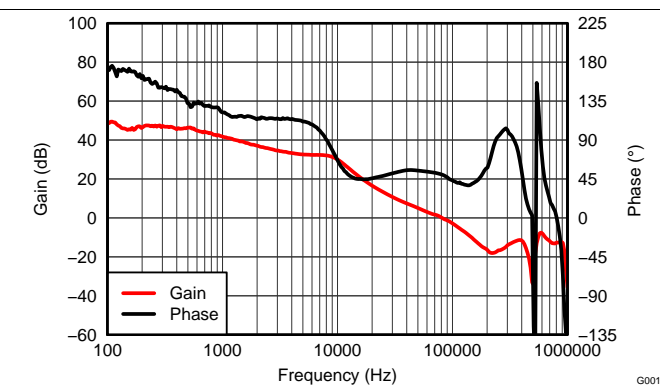
**Figure 24. Efficiency vs Load Current (8 V to 15 V to 1.2 V at 10 A, Design Example 1)**



**Figure 25. Efficiency vs Load Current (8 V to 15 V to 1.8 V at 10 A, Design Example 1)**



**Figure 26. Design Example 1 Loop Response**  
VIN = 12 V, VOUT1 = 1.2 V, IOUT1 = 10 A, 80-kHz Bandwidth, 50° Phase Margin



**Figure 27. Design Example 1 Loop Response**  
VIN = 12 V, VOUT2 = 1.8 V, IOUT2 = 10 A, 80-kHz Bandwidth, 50° Phase Margin

Figure 28 shows the switching waveform,  $V_{IN} = 12\text{ V}$ ,  $I_{OUT1} = I_{OUT2} = 10\text{ A}$ , Ch.1 = HDRV1, Ch.2 = LDRV1, Ch.3 = VOUT1 ripple. The high-frequency noise is caused by parasitic inductive and capacitive elements interacting with the high energy, rapidly switching power elements resulting in ringing at the transition points. Capacitive filtering at the load input will successfully attenuate these noise spikes.

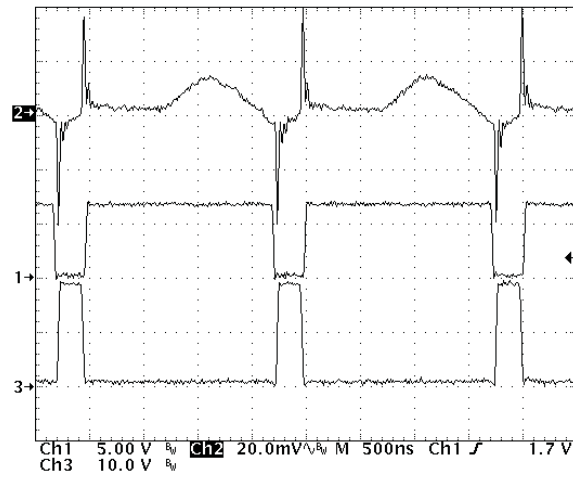


Figure 28. Design Example 1 Switching Waveform



8.2.2 Two-Phase, Single Output Configuration from 12-V nominal to 1.2-V DC-to-DC Converter Using the TPS40322

Figure 29 shows the schematic, waveforms, and components for a two-phase, single output synchronous buck converter using the TPS40322 controller. The design goal parameters are given in Table 7.

Table 6 summarizes the channel 2 related pin connection in two-phase mode.

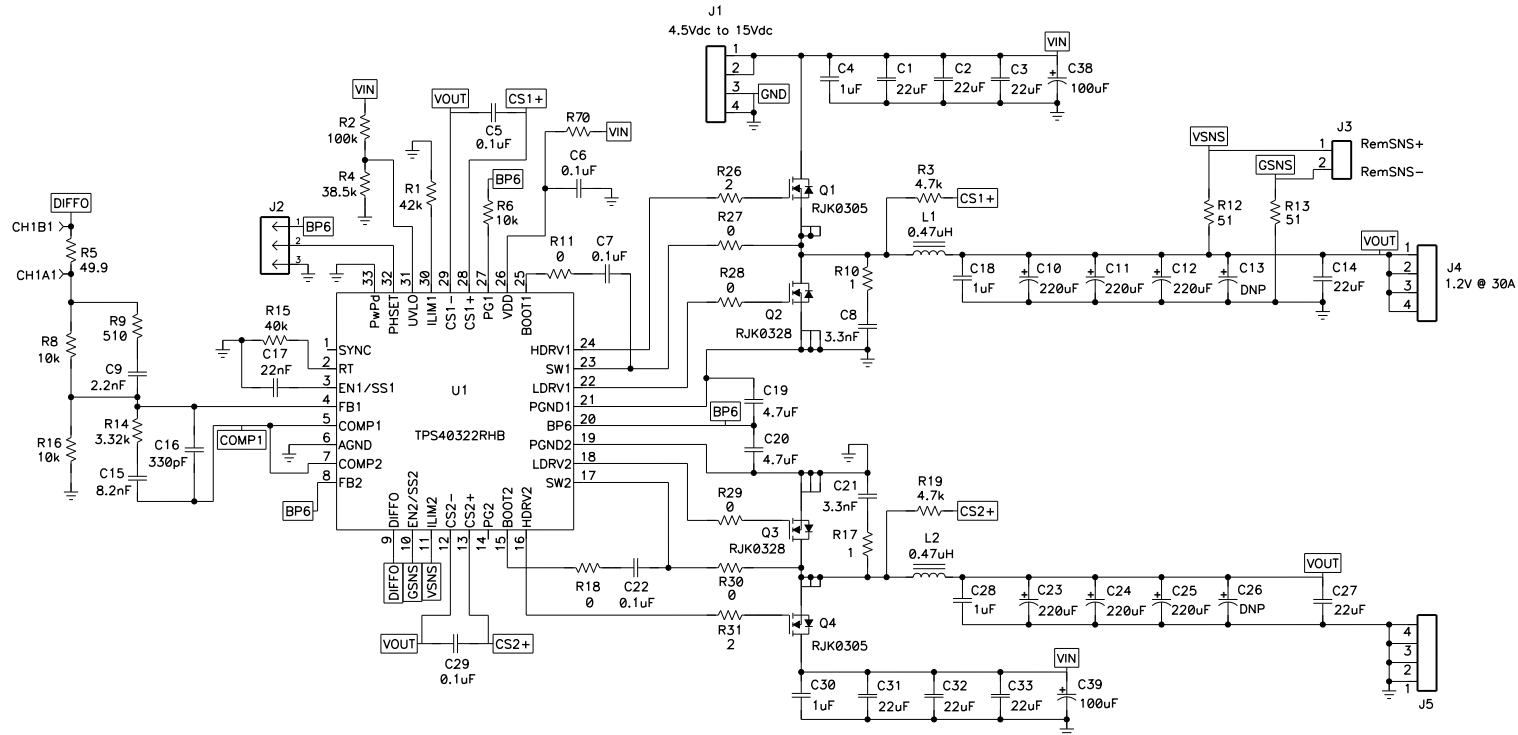


Figure 29. Design Example 2, Two-Phase Converter Schematic

Table 6. Channel 2 Pin Connections in Two-Phase Mode

| PIN NAME     | CONNECTION                                    |
|--------------|---|
| COMP2        | Connect to COMP1                              |
| EN2/SS2/GSNS | Use as GSNS pin, connect to the output ground |
| FB2          | Connect to BP6                                |
| ILIM2/VSNS   | Use as VSNS pin, connect to output            |
| PG2          | Floating or connect to ground                 |

### 8.2.2.1 Design Requirements

The design goal parameters are listed in [Table 7](#).

**Table 7. TPS40322 Design Example 2 Specification**

| PARAMETER           |                     | TEST CONDITION   | MIN | TYP | MAX  | UNIT |
|---------------------|---------------------|--|-----|-----|------|------|
| V <sub>IN</sub>     | Input voltage       |  | 4.5 |     | 15   | V    |
| V <sub>OUT</sub>    | Output voltage      | I <sub>OUT(min)</sub> ≤ I <sub>OUT</sub> ≤ I <sub>OUT(max)</sub>     |     | 1.2 |      | V    |
|                     | Line regulation     | V <sub>IN(min)</sub> ≤ V <sub>IN</sub> ≤ V <sub>IN(max)</sub>        |     |     | 0.5% |      |
|                     | Load regulation     | I <sub>OUT(min)</sub> ≤ I <sub>OUT</sub> ≤ I <sub>OUT(max)</sub>     |     |     | 0.5% |      |
| V <sub>RIPPLE</sub> | Output ripple       | I <sub>OUT1</sub> = I <sub>OUT1(max)</sub>                           |     |     | 12   | mV   |
| V <sub>OVER</sub>   | Output overshoot    | ΔI <sub>OUT1</sub> = 5 A   |     | 40  |      | mV   |
| V <sub>UNDER</sub>  | Output undershoot   | ΔI <sub>OUT1</sub> = 5 A   |     | 40  |      | mV   |
| I <sub>OUT</sub>    | Output current      | V <sub>IN(min)</sub> ≤ V <sub>IN</sub> ≤ V <sub>IN(max)</sub>        | 0   |     | 30   | A    |
| t <sub>SS</sub>     | Soft-start time     | V <sub>IN</sub> = 12 V   |     | 2   |      | ms   |
| η                   | Efficiency          | V <sub>IN</sub> = 12 V, I <sub>OUT1</sub> = I <sub>OUT2</sub> = 10 A |     | 88% |      |      |
| f <sub>SW</sub>     | Switching frequency |  |     | 500 |      | kHz  |

### 8.2.2.2 Detailed Design Procedure

[Inductor Selection \(L1\)](#) through [General Device Components](#) show equations and calculations regarding V<sub>OUT1</sub>. V<sub>OUT2</sub> values can be calculated using similar equations. See [Table 8](#) for the list of materials.

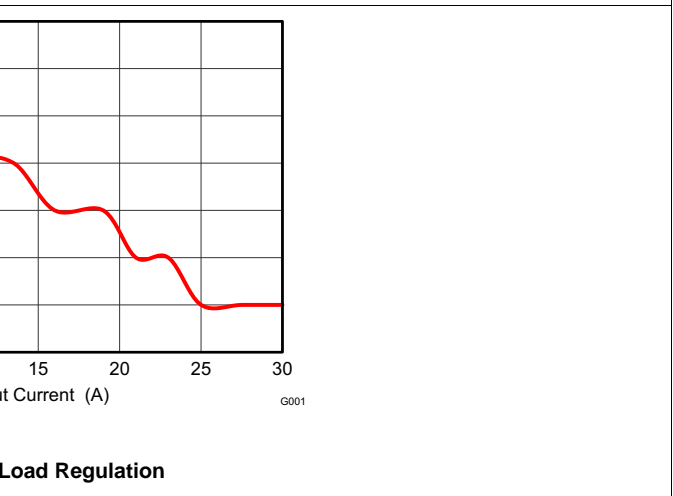
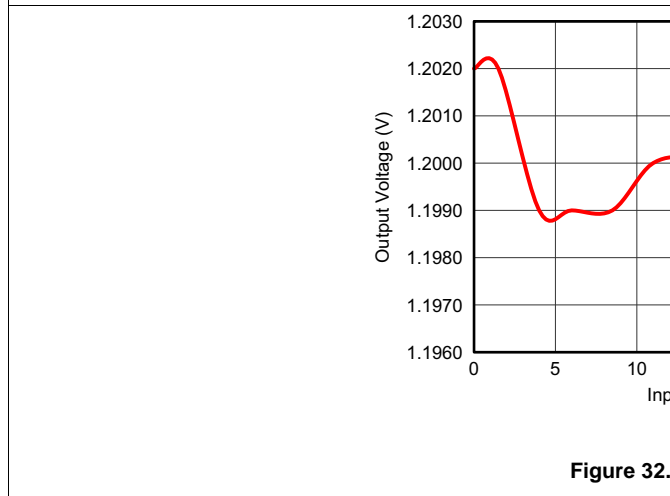
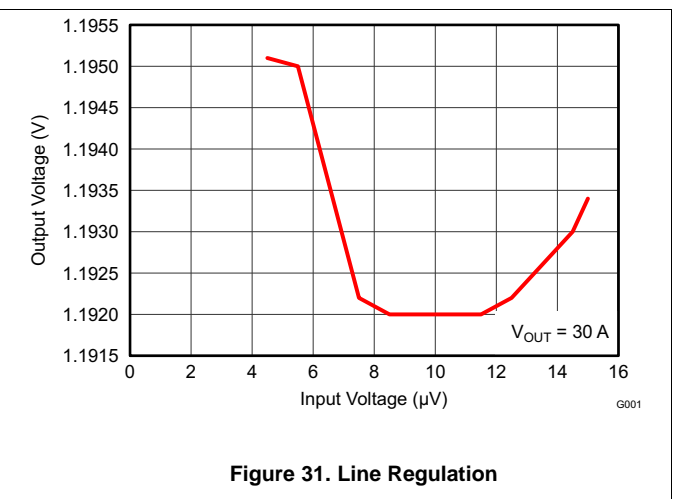
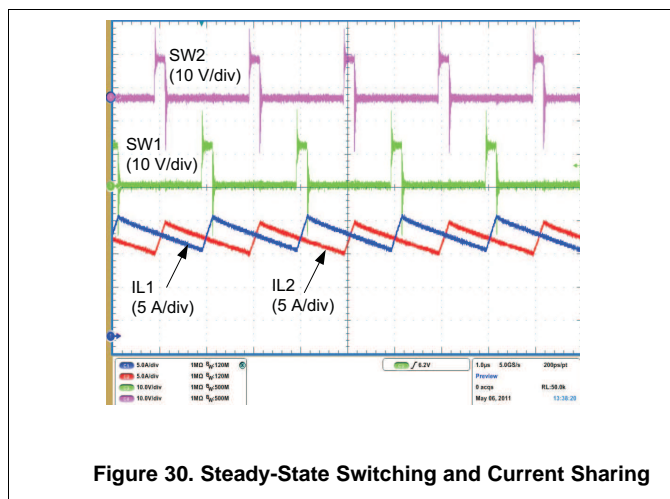
**Table 8. TPS40322 Design Example 2, Two-Phase, Single Output Bill of Materials**

| REFERENCE DESIGNATOR                   | QTY | DESCRIPTION   | PART NUMBER        | MFR                 |
|--|-----|---|--------------------|---------------------|
| C1, C2, C3, C31, C32, C33              | 6   | Capacitor, Ceramic, 22 μF, 25 V, X5R, ±20%, 1210        | Std                | Std                 |
| C4, C18, C28, C30                      | 4   | Capacitor, Ceramic, 1 μF, 50 V, X7R, ±10%, 0603         | Std                | Std                 |
| C5, C6, C7, C22, C29                   | 5   | Capacitor, Ceramic, 0.1 μF, 50 V, X7R, ±10%, 0603       | Std                | Std                 |
| C8, C21                                | 2   | Capacitor, Ceramic, 6.8 nF, 50 V, X7R, ±10%, 0805       | Std                | Std                 |
| C9                                     | 1   | Capacitor, Ceramic, 2.2 nF, 16 V, X7R, ±10%, 0603       | Std                | Std                 |
| C10, C11, C12, C13, C23, C24, C25, C26 | 8   | Capacitor, Polymer Aluminum, 220 μF, 4 V, ±20%, 5mΩ ESR | EEFSE0G221R        | Panasonic - ECG     |
| C14, C27                               | 2   | Capacitor, Ceramic, 22 μF, 6.3 V, X5R, ±10%, 0805       | Std                | Std                 |
| C15                                    | 1   | Capacitor, Ceramic, 8.2 nF, 16 V, X7R, ±10%, 0603       | Std                | Std                 |
| C16                                    | 1   | Capacitor, Ceramic, 330 pF, 16 V, X7R, ±10%, 0603       | Std                | Std                 |
| C17                                    | 1   | Capacitor, Ceramic, 22 nF, 50 V, X7R, ±10%, 0603        | Std                | Std                 |
| C19, C20                               | 2   | Capacitor, Ceramic, 4.7 μF, 16 V, X7R, ±10%, 0805       | Std                | Std                 |
| C38, C39                               | 2   | Capacitor, Aluminum, 100 μF, 25 V, ±20%, F8             | ECE-V1EA101XP      | Panasonic - ECG     |
| L1, L2                                 | 2   | Inductor, SMT, 0.47 μH, ±20%, 1.2 mΩ, 0.512" x 0.571"   | IHLP5050FDERR47M01 | Vishay/Dale         |
| Q1, Q4                                 | 2   | MOSFET, N-channel, 30 V, 30 A, 8 mΩ, 5-LFPAK            | RJK0305            | Renesas Electronics |
| Q2, Q3                                 | 2   | MOSFET, N-channel, 30 V, 60 A, 2.1 mΩ, 5-LFPAK          | RJK0328            | Renesas Electronics |
| R1                                     | 1   | Resistor, Chip, 42 kΩ, 1/10 W, ±1%, 0603                | Std                | Std                 |
| R2                                     | 1   | Resistor, Chip, 100 kΩ, 1/10 W, ±1%, 0603               | Std                | Std                 |
| R3, R19                                | 2   | Resistor, Chip, 4.7 kΩ, 1/10 W, ±1%, 0603               | Std                | Std                 |
| R4                                     | 1   | Resistor, Chip, 38.5 kΩ, 1/10 W, ±1%, 0603              | Std                | Std                 |
| R5                                     | 1   | Resistor, Chip, 49.9 Ω, 1/10 W, ±1%, 0603               | Std                | Std                 |
| R6, R8, R16                            | 3   | Resistor, Chip, 10 kΩ, 1/10 W, ±1%, 0603                | Std                | Std                 |
| R7, R27, R28, R29, R30                 | 5   | Resistor, Chip, 0 Ω, 1/10 W, ±1%, 0603                  | Std                | Std                 |
| R9                                     | 1   | Resistor, Chip, 511 Ω, 1/10 W, ±1%                      | Std                | Std                 |

Table 8. TPS40322 Design Example 2, Two-Phase, Single Output Bill of Materials (continued)

| REFERENCE DESIGNATOR          | QTY | DESCRIPTION  | PART NUMBER | MFR               |
|-------------------------------|-----|--|-------------|-------------------|
| R10, R17                      | 1   | Resistor, Chip, 1.00 $\Omega$ , 1/8 W, $\pm 1\%$ , 0805    | Std         | Std               |
| R11, R18                      | 2   | Resistor, Chip, 5.11 $\Omega$ , 1/10 W, $\pm 1\%$ , 0603   | 603         | Std               |
| R12, R13                      | 2   | Resistor, Chip, 51 $\Omega$ , 1/10 W, $\pm 1\%$ , 0603     | Std         | Std               |
| R14                           | 1   | Resistor, Chip, 3.32 k $\Omega$ , 1/10 W, $\pm 1\%$ , 0603 | Std         | Std               |
| R15                           | 1   | Resistor, Chip, 40 k $\Omega$ , 1/10 W, $\pm 1\%$ , 0603   | Std         | Std               |
| R26, R31                      | 2   | Resistor, Chip, 2 $\Omega$ , 1/10 W, $\pm 1\%$ , 0603      | Std         | Std               |
| R20, R21, R22, R23, R24, R25, | 0   | not used   | Std         | Std               |
| U1                            | 1   | Dual synchronous buck controller, QFN-32                   | TPS40322RHB | Texas Instruments |

8.2.2.3 Application Curves



## 9 Power Supply Recommendations

This device is designed to operate from an input voltage supply between 3 V and 20 V. There is also input voltage and switch node limitation from MOSFET. The proper bypassing of input supplies is critical for noise performance. See the particular MOSFET data sheet that pertains to the end application for more information.

## 10 Layout

### 10.1 Layout Guidelines

#### 10.1.1 Power Stage

A synchronous BUCK power stage has two primary current loops. The input current loop carries high AC discontinuous current while the output current loop carries high DC continuous current. The input current loop includes the input capacitors, the main switching MOSFET, the inductor, the output capacitors and the ground path back to the input capacitors. To maintain the loop as small as possible, it is generally good practice to place some ceramic capacitance directly between the drain of the main switching MOSFET and the source of the synchronous rectifier (SR) through a power ground plane directly under the MOSFETs. The output current loop includes the SR MOSFET, the inductor, the output capacitors, and the ground return between the output capacitors and the source of the SR MOSFET. As with the input current loop, the ground return between the output capacitor ground and the source of the SR MOSFET must be routed under the inductor and SR MOSFET to minimize the power loop area. The SW node area must be as small as possible to reduce the parasitic capacitance and minimize the radiated emissions. The gate drive loop impedance (HDRV-gate-source-SW and LDRV-gate-source-GND) must be kept to as low as possible. The HDRV and LDRV connections must widen to 20 mils as soon as possible out from the device pin.

#### 10.1.2 Device Peripheral

The TPS40322 provides separate signal ground (AGND) and power ground (PGND1 and PGND2) pins. It is required to properly separate the circuit grounds. The return path for the pins associated with the power stage must be through PGND. The other pins (especially for those sensitive pins such as FB1, FB2, RT, ILIM1, and ILIM2) must be through the low noise AGND. The AGND and PGND planes are suggested to be connected at the output capacitor with single 20-mil trace. A minimum 0.1- $\mu$ F ceramic capacitor must be placed as close to the VDD pin and AGND as possible with at least 15-mil wide trace from the bypass capacitor to the AGND. A minimum value of 3.3- $\mu$ F ceramic capacitor must be connected from BP6 to PGND, placed as close to the BP6 pin as possible. When DCR sensing method is applied, the sensing resistor must be placed close to the SW node and connected to the inductor with a kelvin connection. The sensing traces from the power stage to the chip must be away from the switching components. The sensing capacitor must be placed very close to the CS+ and CS- pins for each output. The frequency setting resistor must be placed as close to RT pin and AGND as possible. In two-phase mode, the ILIM2/VSNS and EN2/SS2/GSNS pins must be directly connected to the point of load where the voltage regulation is required. A parallel pair of 10-mil traces connects the regulated voltage back to the chip. They must be away from the switching components.

#### 10.1.3 Thermal Pad Layout

The Thermal pad package provides low thermal impedance for heat removal from the device. The Thermal pad derives its name and low thermal impedance from the large bonding pad on the bottom of the device. The circuit board must have an area of solder-tinned-copper underneath the package. The dimensions of this area depend on the size of the Thermal pad package.

Thermal vias connect this area to internal or external copper planes and must have a drill diameter sufficiently small so that the via hole is effectively plugged when the barrel of the via is plated with copper. This plug is needed to prevent wicking the solder away from the interface between the package body and the solder-tinned area under the device during solder reflow. Drill diameters of 0.33 mm (13 mils) works well when 1-oz. copper is plated at the surface of the board while simultaneously plating the barrel of the via. If the thermal vias are not plugged when the copper plating is performed, then a solder mask material must be used to cap the vias with a diameter equal to the via diameter plus 0.1 mm minimum. This capping prevents the solder from being wicked through the thermal vias and potentially creating a solder void under the package.

## 10.2 Layout Example

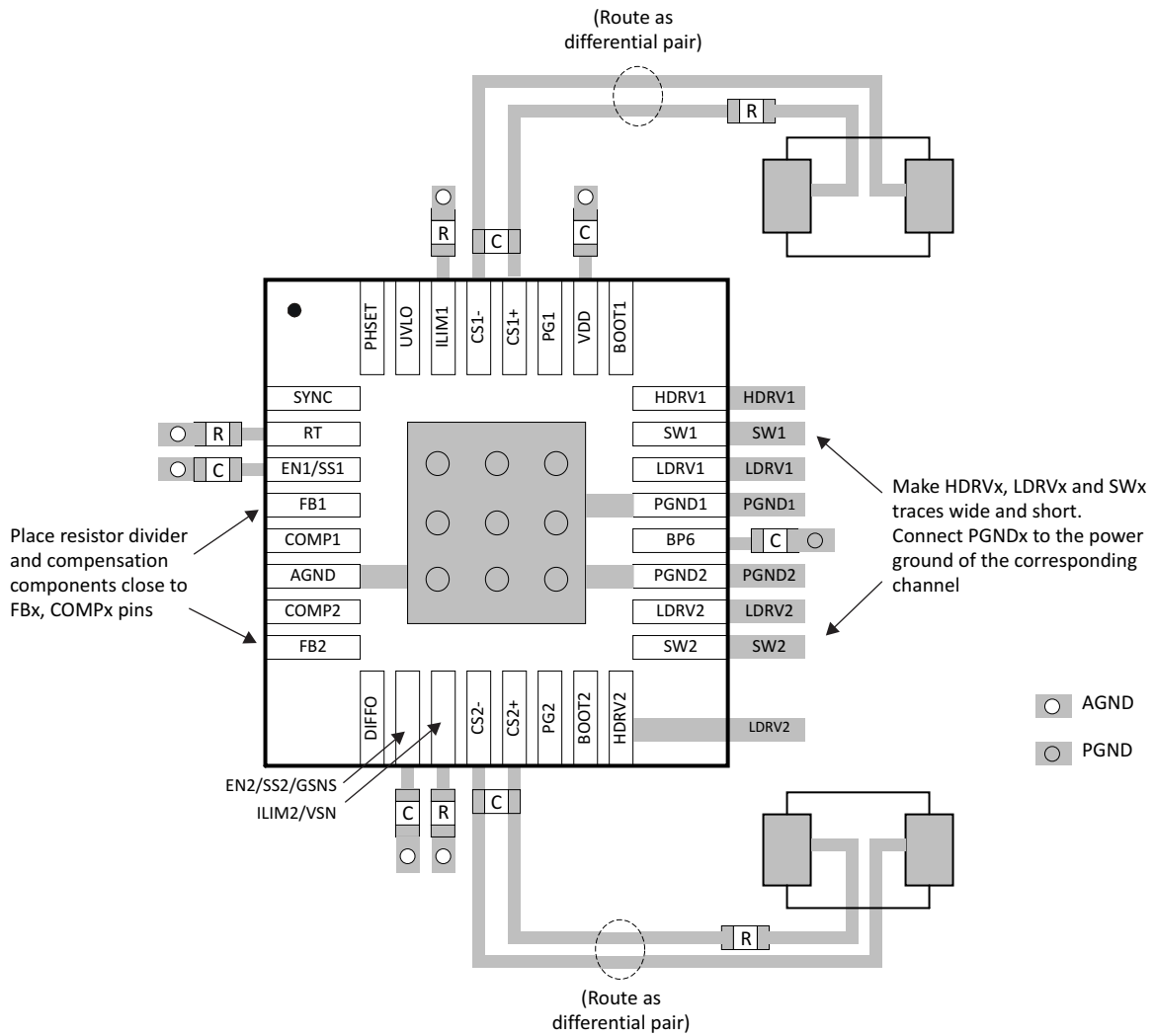


Figure 33. Layout Example

### 10.3 Mounting and Thermal Profile Recommendation

Proper mounting technique adequately covers the exposed thermal tab with solder. Excessive heat during the reflow process can affect electrical performance. Figure 34 shows the recommended reflow oven thermal profile. Proper post-assembly cleaning is also critical to device performance. See SLUA271 for more information.

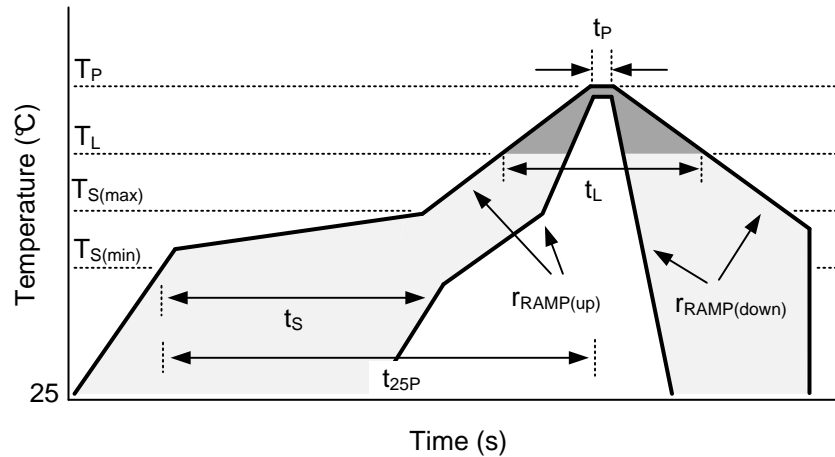


Figure 34. Recommended Reflow Oven Thermal Profile

Table 9. Recommended Thermal Profile Parameters

| PARAMETER                    |   | MIN | TYP | MAX | UNIT |
|------------------------------|---|-----|-----|-----|------|
| <b>RAMP UP AND RAMP DOWN</b> |   |     |     |     |      |
| $r_{RAMP(up)}$               | Average ramp-up rate, $T_{S(max)}$ to $T_P$           |     |     | 3   | °C/s |
| $r_{RAMP(down)}$             | Average ramp-down rate, $T_P$ to $T_{S(max)}$         |     |     | 6   | °C/s |
| <b>PRE-HEAT</b>              |   |     |     |     |      |
| $T_S$                        | Pre-Heat temperature                                  | 150 |     | 200 | °C   |
| $t_s$                        | Pre-heat time, $T_{S(min)}$ to $T_{S(max)}$           | 60  |     | 180 | s    |
| <b>REFLOW</b>                |   |     |     |     |      |
| $T_L$                        | Liquidus temperature                                  |     | 217 |     | °C   |
| $T_P$                        | Peak temperature                                      |     |     | 260 | °C   |
| $t_L$                        | Time maintained above liquidus temperature, $T_L$     | 60  |     | 150 | s    |
| $t_p$                        | Time maintained within 5°C of peak temperature, $T_P$ | 20  |     | 40  | s    |
| $t_{25P}$                    | Total time from 25°C to peak temperature, $T_P$       |     |     | 480 | s    |

## 11 Device and Documentation Support

### 11.1 Device Support

#### 11.1.1 Third-Party Products Disclaimer

TI'S PUBLICATION OF INFORMATION REGARDING THIRD-PARTY PRODUCTS OR SERVICES DOES NOT CONSTITUTE AN ENDORSEMENT REGARDING THE SUITABILITY OF SUCH PRODUCTS OR SERVICES OR A WARRANTY, REPRESENTATION OR ENDORSEMENT OF SUCH PRODUCTS OR SERVICES, EITHER ALONE OR IN COMBINATION WITH ANY TI PRODUCT OR SERVICE.

#### 11.1.2 Development Support

For development support, see the following:

[TPS40k Loop Stability Tool](#)

### 11.2 Documentation Support

#### 11.2.1 Related Documentation

For related documentation, see the following:

[QFN/SOP PCB Attachment Application Report, SLUA271](#)

### 11.3 Community Resources

The following links connect to TI community resources. Linked contents are provided "AS IS" by the respective contributors. They do not constitute TI specifications and do not necessarily reflect TI's views; see TI's [Terms of Use](#).

**TI E2E™ Online Community** *TI's Engineer-to-Engineer (E2E) Community*. Created to foster collaboration among engineers. At [e2e.ti.com](#), you can ask questions, share knowledge, explore ideas and help solve problems with fellow engineers.

**Design Support** *TI's Design Support* Quickly find helpful E2E forums along with design support tools and contact information for technical support.

### 11.4 Trademarks

E2E is a trademark of Texas Instruments.  
All other trademarks are the property of their respective owners.

### 11.5 Electrostatic Discharge Caution



These devices have limited built-in ESD protection. The leads should be shorted together or the device placed in conductive foam during storage or handling to prevent electrostatic damage to the MOS gates.

### 11.6 Glossary

[SLYZ022](#) — *TI Glossary*.

This glossary lists and explains terms, acronyms, and definitions.

## 12 Mechanical, Packaging, and Orderable Information

The following pages include mechanical, packaging, and orderable information. This information is the most current data available for the designated devices. This data is subject to change without notice and revision of this document. For browser-based versions of this data sheet, refer to the left-hand navigation.

**PACKAGING INFORMATION**

| Orderable part number        | Status<br>(1) | Material type<br>(2) | Package   Pins  | Package qty   Carrier | RoHS<br>(3) | Lead finish/<br>Ball material<br>(4) | MSL rating/<br>Peak reflow<br>(5) | Op temp (°C) | Part marking<br>(6) |
|------------------------------|---------------|----------------------|-----------------|-----------------------|-------------|--------------------------------------|-----------------------------------|--------------|---------------------|
| <a href="#">TPS40322RHBR</a> | Active        | Production           | VQFN (RHB)   32 | 3000   LARGE T&R      | Yes         | NIPDAU                               | Level-2-260C-1 YEAR               | -40 to 125   | TPS<br>40322        |
| TPS40322RHBR.A               | Active        | Production           | VQFN (RHB)   32 | 3000   LARGE T&R      | Yes         | NIPDAU                               | Level-2-260C-1 YEAR               | -40 to 125   | TPS<br>40322        |
| TPS40322RHBRG4               | Active        | Production           | VQFN (RHB)   32 | 3000   LARGE T&R      | Yes         | NIPDAU                               | Level-2-260C-1 YEAR               | -40 to 125   | TPS<br>40322        |
| TPS40322RHBRG4.A             | Active        | Production           | VQFN (RHB)   32 | 3000   LARGE T&R      | Yes         | NIPDAU                               | Level-2-260C-1 YEAR               | -40 to 125   | TPS<br>40322        |
| <a href="#">TPS40322RHBT</a> | Active        | Production           | VQFN (RHB)   32 | 250   SMALL T&R       | Yes         | NIPDAU                               | Level-2-260C-1 YEAR               | -40 to 125   | TPS<br>40322        |
| TPS40322RHBT.A               | Active        | Production           | VQFN (RHB)   32 | 250   SMALL T&R       | Yes         | NIPDAU                               | Level-2-260C-1 YEAR               | -40 to 125   | TPS<br>40322        |

(1) **Status:** For more details on status, see our [product life cycle](#).

(2) **Material type:** When designated, preproduction parts are prototypes/experimental devices, and are not yet approved or released for full production. Testing and final process, including without limitation quality assurance, reliability performance testing, and/or process qualification, may not yet be complete, and this item is subject to further changes or possible discontinuation. If available for ordering, purchases will be subject to an additional waiver at checkout, and are intended for early internal evaluation purposes only. These items are sold without warranties of any kind.

(3) **RoHS values:** Yes, No, RoHS Exempt. See the [TI RoHS Statement](#) for additional information and value definition.

(4) **Lead finish/Ball material:** Parts may have multiple material finish options. Finish options are separated by a vertical ruled line. Lead finish/Ball material values may wrap to two lines if the finish value exceeds the maximum column width.

(5) **MSL rating/Peak reflow:** The moisture sensitivity level ratings and peak solder (reflow) temperatures. In the event that a part has multiple moisture sensitivity ratings, only the lowest level per JEDEC standards is shown. Refer to the shipping label for the actual reflow temperature that will be used to mount the part to the printed circuit board.

(6) **Part marking:** There may be an additional marking, which relates to the logo, the lot trace code information, or the environmental category of the part.

Multiple part markings will be inside parentheses. Only one part marking contained in parentheses and separated by a "~" will appear on a part. If a line is indented then it is a continuation of the previous line and the two combined represent the entire part marking for that device.



**Important Information and Disclaimer:** The information provided on this page represents TI's knowledge and belief as of the date that it is provided. TI bases its knowledge and belief on information provided by third parties, and makes no representation or warranty as to the accuracy of such information. Efforts are underway to better integrate information from third parties. TI has taken and continues to take reasonable steps to provide representative and accurate information but may not have conducted destructive testing or chemical analysis on incoming materials and chemicals. TI and TI suppliers consider certain information to be proprietary, and thus CAS numbers and other limited information may not be available for release.

In no event shall TI's liability arising out of such information exceed the total purchase price of the TI part(s) at issue in this document sold by TI to Customer on an annual basis.

**TAPE AND REEL INFORMATION**

**QUADRANT ASSIGNMENTS FOR PIN 1 ORIENTATION IN TAPE**


\*All dimensions are nominal

| Device         | Package Type | Package Drawing | Pins | SPQ  | Reel Diameter (mm) | Reel Width W1 (mm) | A0 (mm) | B0 (mm) | K0 (mm) | P1 (mm) | W (mm) | Pin1 Quadrant |
|----------------|--------------|-----------------|------|------|--------------------|--------------------|---------|---------|---------|---------|--------|---------------|
| TPS40322RHBR   | VQFN         | RHB             | 32   | 3000 | 330.0              | 12.4               | 5.3     | 5.3     | 1.1     | 8.0     | 12.0   | Q2            |
| TPS40322RHBRG4 | VQFN         | RHB             | 32   | 3000 | 330.0              | 12.4               | 5.3     | 5.3     | 1.1     | 8.0     | 12.0   | Q2            |
| TPS40322RHBT   | VQFN         | RHB             | 32   | 250  | 180.0              | 12.4               | 5.3     | 5.3     | 1.1     | 8.0     | 12.0   | Q2            |

**TAPE AND REEL BOX DIMENSIONS**


\*All dimensions are nominal

| Device         | Package Type | Package Drawing | Pins | SPQ  | Length (mm) | Width (mm) | Height (mm) |
|----------------|--------------|-----------------|------|------|-------------|------------|-------------|
| TPS40322RHBR   | VQFN         | RHB             | 32   | 3000 | 346.0       | 346.0      | 33.0        |
| TPS40322RHBRG4 | VQFN         | RHB             | 32   | 3000 | 346.0       | 346.0      | 33.0        |
| TPS40322RHBT   | VQFN         | RHB             | 32   | 250  | 210.0       | 185.0      | 35.0        |

## GENERIC PACKAGE VIEW

**RHB 32**

**VQFN - 1 mm max height**

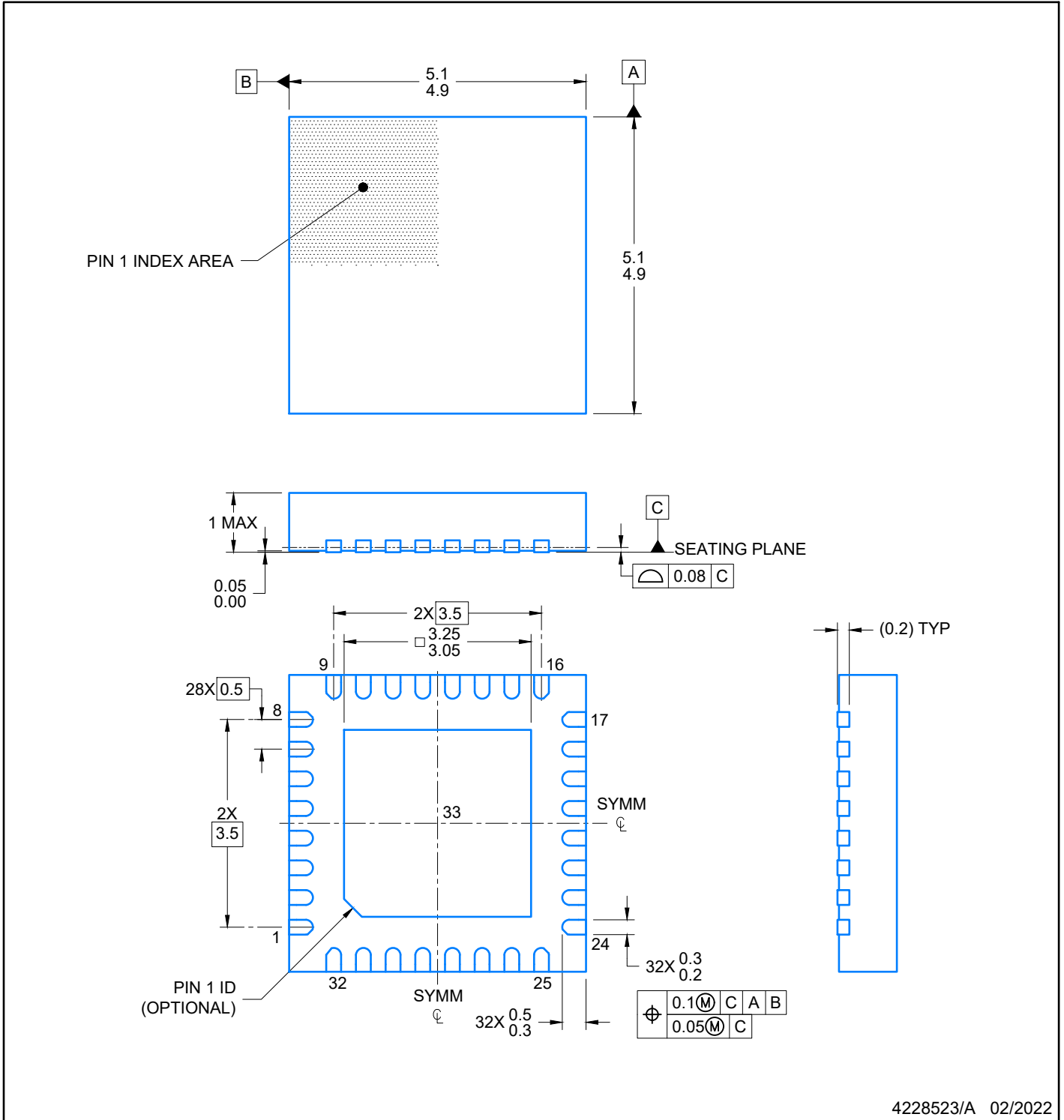
5 x 5, 0.5 mm pitch

PLASTIC QUAD FLATPACK - NO LEAD



Images above are just a representation of the package family, actual package may vary.  
Refer to the product data sheet for package details.

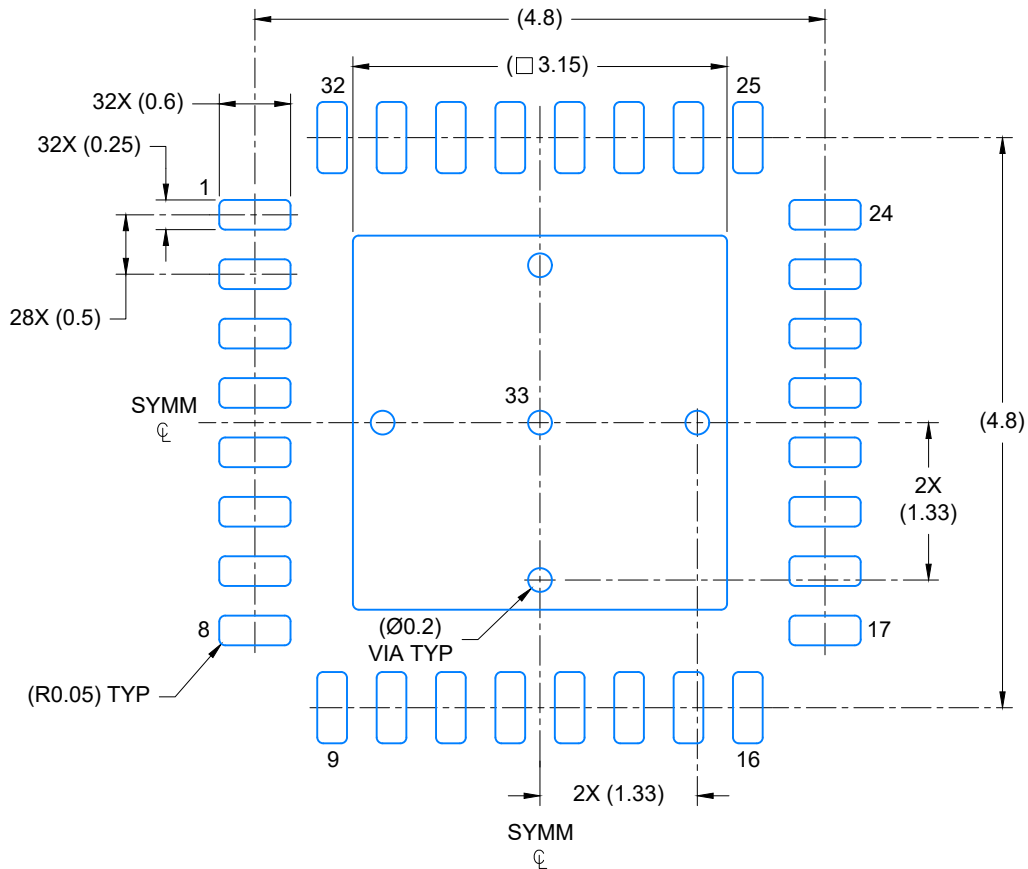
4224745/A



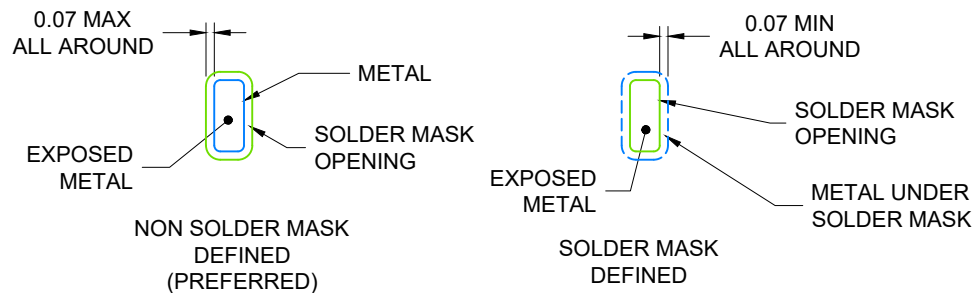
4228523/A 02/2022

NOTES:

1. All linear dimensions are in millimeters. Any dimensions in parenthesis are for reference only. Dimensioning and tolerancing per ASME Y14.5M.
2. This drawing is subject to change without notice.
3. The package thermal pad must be soldered to the printed circuit board for optimal thermal and mechanical performance.



LAND PATTERN EXAMPLE  
EXPOSED METAL SHOWN  
SCALE: 15X

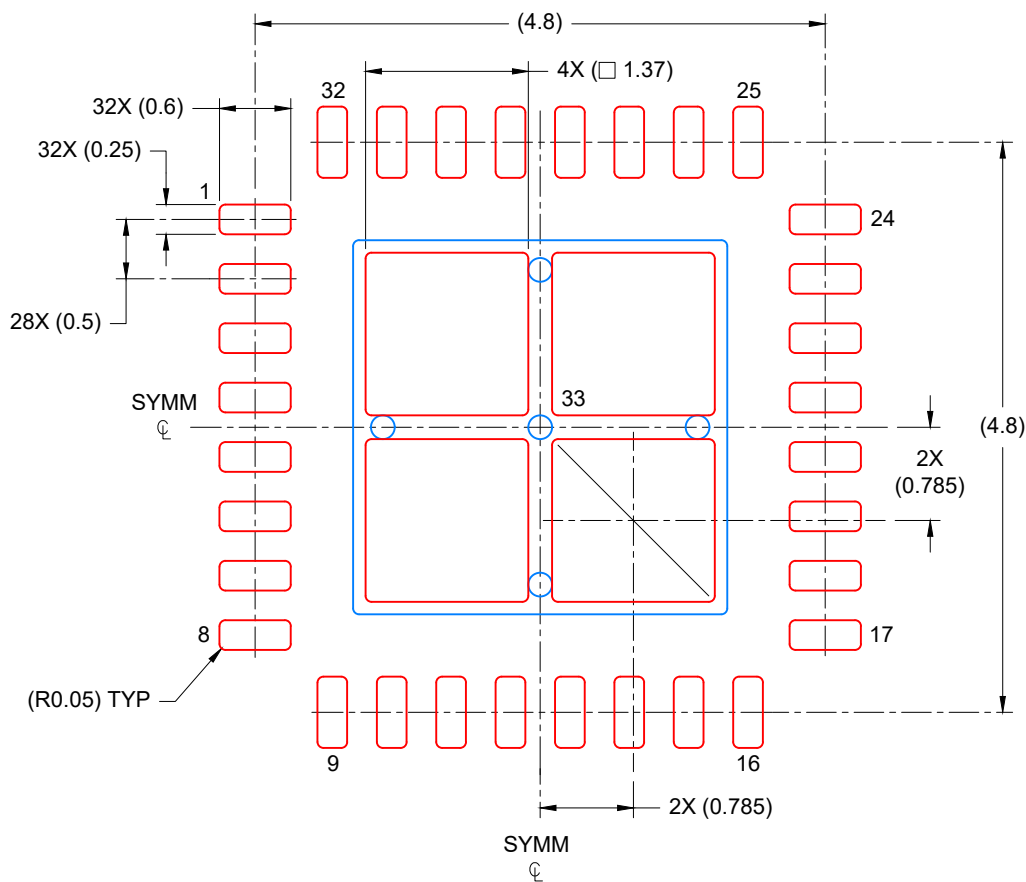


SOLDER MASK DETAILS

4228523/A 02/2022

NOTES: (continued)

4. This package is designed to be soldered to a thermal pad on the board. For more information, see Texas Instruments literature number SLUA271 ([www.ti.com/lit/slua271](http://www.ti.com/lit/slua271)).
5. Vias are optional depending on application, refer to device data sheet. If any vias are implemented, refer to their locations shown on this view. It is recommended that vias under paste be filled, plugged or tented.



SOLDER PASTE EXAMPLE  
 BASED ON 0.125 mm THICK STENCIL

EXPOSED PAD  
 75% PRINTED COVERAGE BY AREA  
 SCALE: 15X

4228523/A 02/2022

NOTES: (continued)

6. Laser cutting apertures with trapezoidal walls and rounded corners may offer better paste release. IPC-7525 may have alternate design recommendations.

## IMPORTANT NOTICE AND DISCLAIMER

TI PROVIDES TECHNICAL AND RELIABILITY DATA (INCLUDING DATASHEETS), DESIGN RESOURCES (INCLUDING REFERENCE DESIGNS), APPLICATION OR OTHER DESIGN ADVICE, WEB TOOLS, SAFETY INFORMATION, AND OTHER RESOURCES "AS IS" AND WITH ALL FAULTS, AND DISCLAIMS ALL WARRANTIES, EXPRESS AND IMPLIED, INCLUDING WITHOUT LIMITATION ANY IMPLIED WARRANTIES OF MERCHANTABILITY, FITNESS FOR A PARTICULAR PURPOSE OR NON-INFRINGEMENT OF THIRD PARTY INTELLECTUAL PROPERTY RIGHTS.

These resources are intended for skilled developers designing with TI products. You are solely responsible for (1) selecting the appropriate TI products for your application, (2) designing, validating and testing your application, and (3) ensuring your application meets applicable standards, and any other safety, security, regulatory or other requirements.

These resources are subject to change without notice. TI grants you permission to use these resources only for development of an application that uses the TI products described in the resource. Other reproduction and display of these resources is prohibited. No license is granted to any other TI intellectual property right or to any third party intellectual property right. TI disclaims responsibility for, and you fully indemnify TI and its representatives against any claims, damages, costs, losses, and liabilities arising out of your use of these resources.

TI's products are provided subject to [TI's Terms of Sale](#), [TI's General Quality Guidelines](#), or other applicable terms available either on [ti.com](http://ti.com) or provided in conjunction with such TI products. TI's provision of these resources does not expand or otherwise alter TI's applicable warranties or warranty disclaimers for TI products. Unless TI explicitly designates a product as custom or customer-specified, TI products are standard, catalog, general purpose devices.

TI objects to and rejects any additional or different terms you may propose.

Copyright © 2025, Texas Instruments Incorporated

Last updated 10/2025