

USB Connector Cross Selling Sheet

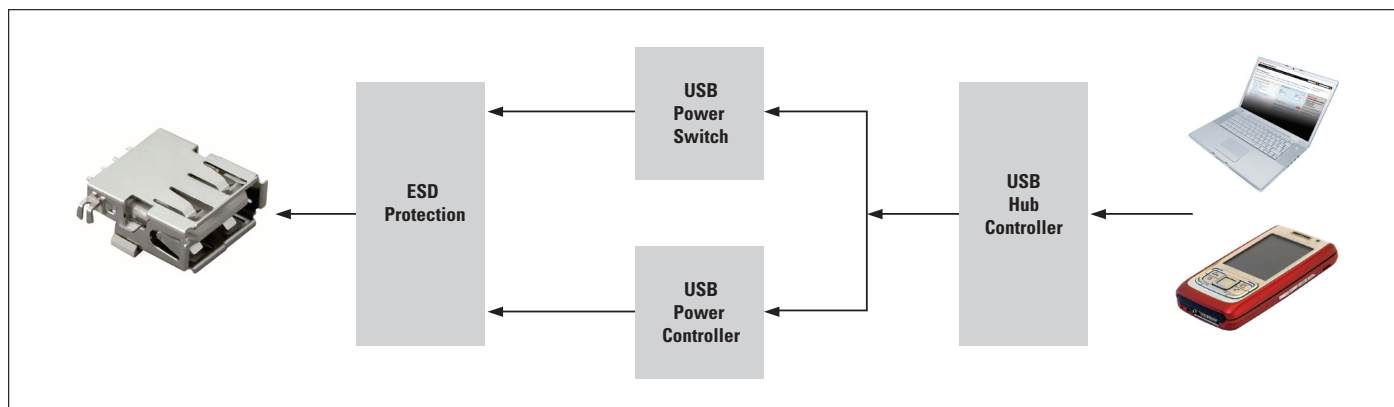


3Q 2008

USB Switches for USB Power Distribution

Overview

TI's high-performance portfolio includes fully compliant USB hub controllers, peripheral devices, transceivers, power management products and streaming audio devices. In addition to a broad range of silicon solutions, TI has the support tools software, documentation and system expertise to help simplify design and speed your time to market.



ESD protection

USB full speed

- SN65220
- SN65240
- SN75240
- **TPD4S012**

USB high speed

- TPD2E001
- TPD3E001
- TPD4E001
- TPD4E002
- TPD4E004
- TPD6E004

USB signal switches

- TS3USB221
- TS3USB30
- TS3USB31
- **TS3USB31E**
- **TS3USB30E**

USB power switches

- TPS202x
- TPS203x
- TPS204x
- TPS205x
- TPS206x
- **TPS255x**

USB power switches and LDO

- TPS214x
- TPS215x

USB hub power controllers

- TPS207x

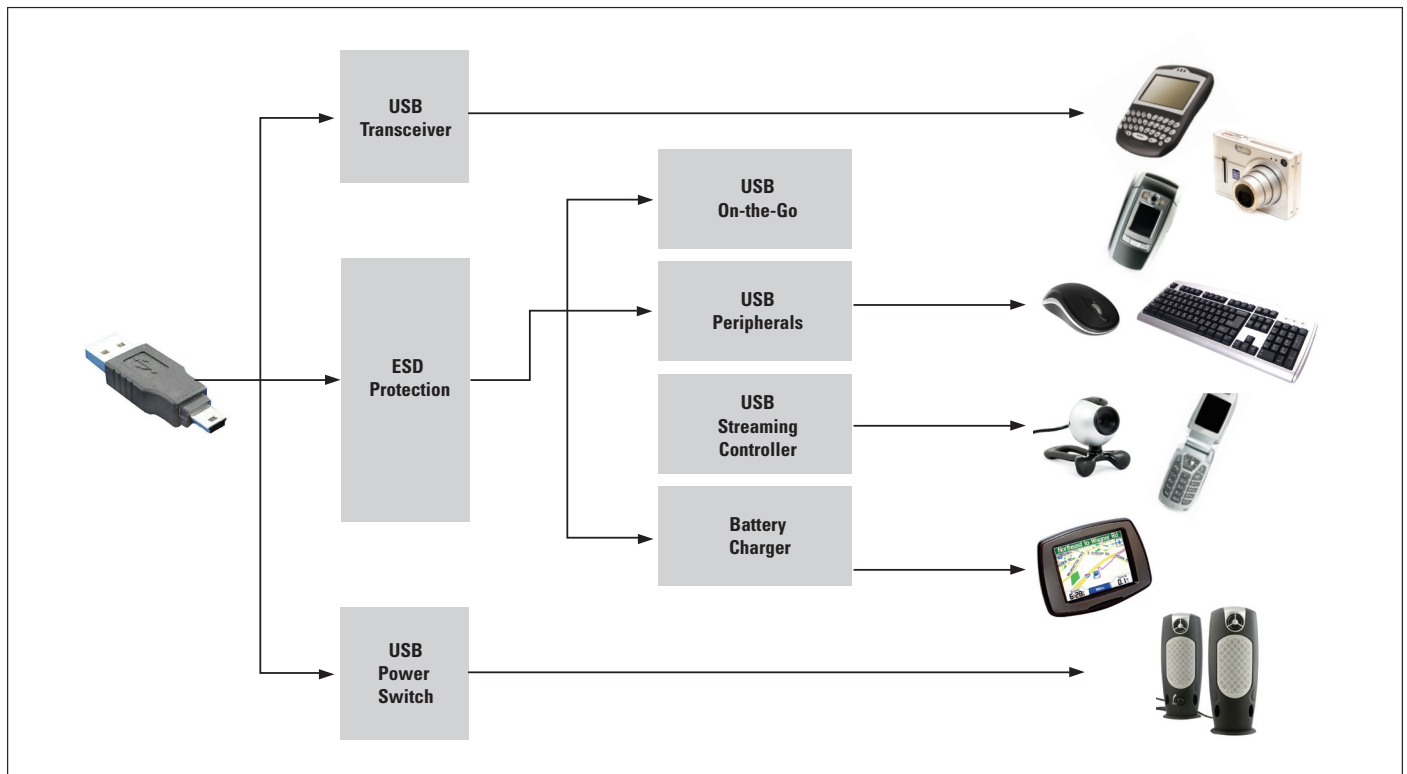
USB hub controllers

- TUSB2036
- TUSB2046B
- TUSB2077A
- TUSB2136
- TUSB5052

New products are listed in bold red. Preview products are listed in bold gray.

To discover the complete DC/DC conversion portfolio,
including modules and LDOs, visit power.ti.com

USB Switches for USB Peripherals



ESD protection

USB full speed

- SN65220
- SN65240
- SN75240
- **TPD4S012**

USB high speed

- TPD2E001
- TPD3E001
- TPD4E001
- TPD4E002
- TPD4E004
- TPD6E004

USB power switches

- TPS202x
- TPS203x
- TPS204x
- TPS205x
- TPS206x
- TPS255x

USB transceivers

- TUSB1105
- TUSB1106
- **TUSB2551**

USB peripherals

- TUSB3210
- TUSB3410
- TUSB6250

USB On-the-go

- TUSB6010B
- TUSB6020

Battery chargers

- BQ25010/2
- BQ25015

USB streaming controllers

- TAS1020A
- TAS1020B
- TUSB3200
- TUSB3200A

New products are listed in bold red. Preview products are listed in bold gray.

TI European Technical Support

Cross Reference Search: ti.com/crossreference
 Top Side Package Marking: ti.com/topsidesymbol
 All About Power: power.ti.com
 Analog Tools: ti.com/analagelab

European Customer Support Center

European Free Call: 00800-ASK-TEXAS (00800 275 83 927)
 International Call: +49 8161 80 2121
 Russian Support: +7 (495) 981 0701

Important Notice: The products and services of Texas Instruments Incorporated and its subsidiaries described herein are sold subject to TI's standard terms and conditions of sale. Customers are advised to obtain the most current and complete information about TI products and services before placing orders. TI assumes no liability for applications assistance, customer's applications or product designs, software performance, or infringement of patents. The publication of information regarding any other company's products or services does not constitute TI's approval, warranty or endorsement thereof.

The platform bar is a trademark of Texas Instruments.
 All other trademarks are the property of their respective owners.

B010208