

## Industrial Analog Current/Voltage OUTPUT DRIVER

Check for Samples: [XTR300](#)

### FEATURES

- **USER-SELECTABLE:** Voltage or Current Output
- **+40V SUPPLY VOLTAGE**
- **V<sub>OUT</sub>:** ±10V (up to ±17.5V at ±20V supply)
- **I<sub>OUT</sub>:** ±20mA (linear up to ±24mA)
- **SHORT- OR OPEN-CIRCUIT FAULT INDICATOR PIN**
- **NO CURRENT SHUNT REQUIRED**
- **OUTPUT DISABLE FOR SINGLE INPUT MODE**
- **THERMAL PROTECTION**
- **OVERCURRENT PROTECTION**
- **SEPARATE DRIVER AND RECEIVER CHANNELS**
- **DESIGNED FOR TESTABILITY**

### APPLICATIONS

- **PLC OUTPUT PROGRAMMABLE DRIVER**
- **INDUSTRIAL CROSS-CONNECTORS**
- **INDUSTRIAL HIGH-VOLTAGE I/O**
- **3-WIRE-SENSOR CURRENT OR VOLTAGE OUTPUT**
- **±10V 2- AND 4-WIRE VOLTAGE OUTPUT**  
U.S. Patent Nos. 7,427,898, 7,425,848, and 7,449,873  
Other Patents Pending

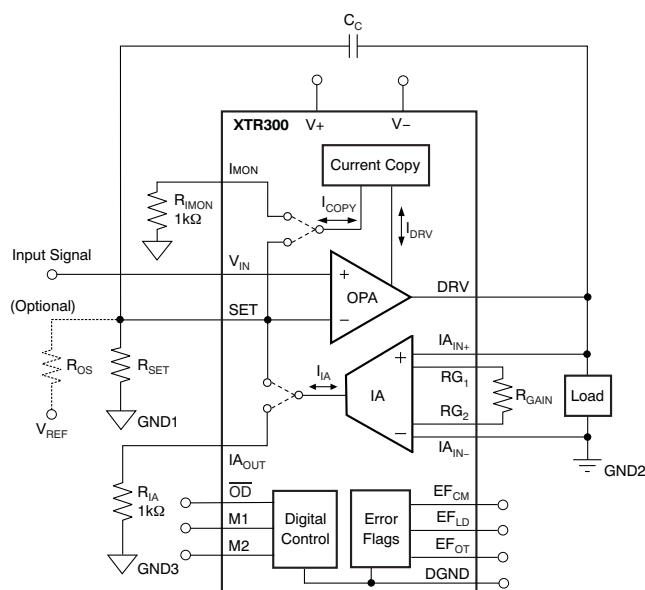
### DESCRIPTION

The XTR300 is a complete output driver for industrial and process control applications. The output can be configured as current or voltage by the digital I/V select pin. No external shunt resistor is required. Only external gain-setting resistors and a loop compensation capacitor are required.

The separate driver and receiver channels provide flexibility. The Instrumentation Amplifier (IA) can be used for remote voltage sense or as a high-voltage, high-impedance measurement channel. In voltage output mode, a copy of the output current is provided, allowing calculation of load resistance.

The digital output selection capability, together with the error flags and monitor pins, make remote configuration and troubleshooting possible. Fault conditions on the output and on the IA input as well as over-temperature conditions are indicated by the error flags. The monitoring pins provide continuous feedback about load power or impedance. For additional protection, the maximum output current is limited and thermal protection is provided.

The XTR300 is specified over the -40°C to +85°C industrial temperature range and for supply voltages up to 40V.



**Figure 1. XTR300 Basic Diagram**



Please be aware that an important notice concerning availability, standard warranty, and use in critical applications of Texas Instruments semiconductor products and disclaimers thereto appears at the end of this data sheet.

All trademarks are the property of their respective owners.



This integrated circuit can be damaged by ESD. Texas Instruments recommends that all integrated circuits be handled with appropriate precautions. Failure to observe proper handling and installation procedures can cause damage.

ESD damage can range from subtle performance degradation to complete device failure. Precision integrated circuits may be more susceptible to damage because very small parametric changes could cause the device not to meet its published specifications.

### ORDERING INFORMATION<sup>(1)</sup>

PRODUCT	PACKAGE-LEAD	PACKAGE DESIGNATOR	PACKAGE MARKING
XTR300	QFN-20 (5mm x 5mm)	RGW	XTR300

(1) For the most current package and ordering information, see the Package Option Addendum at the end of this document, or see the device product folder at [www.ti.com](http://www.ti.com).

### ABSOLUTE MAXIMUM RATINGS<sup>(1)</sup>

Over operating free-air temperature range (unless otherwise noted).

	XTR300	UNIT
Supply Voltage, $V_{VSP}$	+44	V
Signal Input Terminals:		
Voltage <sup>(2)</sup>	(V-) – 0.5 to (V+) + 0.5	V
Current <sup>(2)</sup>	±25	mA
DGND	±25	mA
Output Short-Circuit <sup>(3)</sup>	Continuous	
Operating Temperature	–55 to +125	°C
Storage Temperature	–55 to +125	°C
Junction Temperature	+150	°C
Electrostatic Discharge Ratings:		
Human Body Model (HBM)	2000	V
Charged Device Model (CDM)	1000	V

- (1) Stresses above these ratings may cause permanent damage. Exposure to absolute maximum conditions for extended periods may degrade device reliability. These are stress ratings only, and functional operation of the device at these or any other conditions beyond those specified is not supported.
- (2) Input terminals are diode-clamped to the power-supply rails. Input signals that can swing more than 0.5V beyond the supply rails must be current limited. DRV pin allows a peak current of 50mA. See the [Output Protection](#) section in [Applications Information](#).
- (3) See the [Driver Output Disable](#) section in [Applications Information](#) for thermal protection.

**ELECTRICAL CHARACTERISTICS: VOLTAGE OUTPUT MODE**

**Boldface** limits apply over the specified temperature range:  $T_A = -40^\circ\text{C}$  to  $+85^\circ\text{C}$ .

All specifications at  $T_A = +25^\circ\text{C}$ ,  $V_S = \pm 20\text{V}$ ,  $R_{\text{LOAD}} = 800\Omega$ ,  $R_{\text{SET}} = 2\text{k}\Omega$ ,  $R_{\text{OS}} = 2\text{k}\Omega$ ,  $V_{\text{REF}} = 4\text{V}$ ,  $R_{\text{GAIN}} = 10\text{k}\Omega$ , Input Signal Span 0V to 4V, and  $C_C = 100\text{pF}$ , unless otherwise noted.

PARAMETER	CONDITIONS	XTR300			UNIT
		MIN	TYP	MAX	
<b>OFFSET VOLTAGE</b>					
Offset Voltage, RTI	$V_{\text{OS}}$		$\pm 0.4$	$\pm 1.9$	mV
<b>vs Temperature</b>	$dV_{\text{OS}}/dT$		$\pm 1.6$	$\pm 6$	$\mu\text{V}/^\circ\text{C}$
vs Power Supply	PSRR	$V_S = \pm 5\text{V}$ to $\pm 22\text{V}$	$\pm 0.2$	$\pm 10$	$\mu\text{V}/\text{V}$
<b>INPUT VOLTAGE RANGE</b>					
Nominal Setup for $\pm 10\text{V}$ Output	See <a href="#">Figure 2</a>				
Input Voltage for Linear Operation		$(V-) + 3\text{V}$		$(V+) - 3\text{V}$	V
<b>NOISE</b>					
Voltage Noise, $f = 0.1\text{Hz}$ to $10\text{Hz}$ , RTI			3		$\mu\text{V}_{\text{PP}}$
Voltage Noise Density, $f = 1\text{kHz}$ , RTI	$e_n$		40		$\text{nV}/\sqrt{\text{Hz}}$
<b>OUTPUT</b>					
<b>Voltage Output Swing from Rail</b>		$I_{\text{DRV}} \leq 15\text{mA}$	$(V-) + 3$	$(V+) - 3$	V
Gain Nonlinearity			$\pm 0.01$	$\pm 0.1$	%FS
<b>vs Temperature</b>			$\pm 0.1$	$\pm 1$	$\text{ppm}/^\circ\text{C}$
Gain Error	$I_B$		$\pm 0.04$	$\pm 0.1$	%FS
<b>vs Temperature</b>			$\pm 0.2$	$\pm 1$	$\text{ppm}/^\circ\text{C}$
Output Impedance, $dV_{\text{DRV}}/dI_{\text{DRV}}$			7		m $\Omega$
<b>Output Leakage Current While Output Disabled</b>		$P_{\text{in}} \overline{\text{OD}} = L^{(1)}$	<b>30</b>		nA
<b>Short-Circuit Current</b>	$I_{\text{SC}}$		$\pm 15$	$\pm 24$	<b>mA</b>
Capacitive Load Drive	$C_{\text{LOAD}}$	$C_C = 10\text{nF}$ , $R_C = 15^{(2)}$	1		$\mu\text{F}$
Rejection of Voltage Difference between GND1 and GND2, RTO			130		dB
<b>FREQUENCY RESPONSE</b>					
Bandwidth <sup>(3)</sup>	-3dB	$G = 5$	300		kHz
Slew Rate <sup>(2)</sup>	SR		1		V/ $\mu\text{s}$
	SR	$C_C = 10\text{nF}$ , $C_L = 1\mu\text{F}$ , $R_C = 15\Omega$	0.015		V/ $\mu\text{s}$
Settling Time <sup>(2)(4)</sup> , 0.1%, Small Signal		$V_{\text{DRV}} = \pm 1\text{V}$	8		$\mu\text{s}$
Overload Recovery Time		50% Overdrive	12		$\mu\text{s}$

(1) Output leakage includes input bias current of INA.

(2) Refer to [Driving Capacitive Loads](#) section in [Applications Information](#).

(3) Small signal with no capacitive load.

(4)  $8\mu\text{s}$  plus number of chopping periods. See [Applications Information](#), [Internal Current Sources and Settling Time](#) section.

## ELECTRICAL CHARACTERISTICS: CURRENT OUTPUT MODE

**Boldface** limits apply over the specified temperature range:  $T_A = -40^\circ\text{C}$  to  $+85^\circ\text{C}$ .

All specifications at  $T_A = +25^\circ\text{C}$ ,  $V_S = \pm 20\text{V}$ ,  $R_{\text{LOAD}} = 800\Omega$ ,  $R_{\text{SET}} = 2\text{k}\Omega$ ,  $R_{\text{OS}} = 2\text{k}\Omega$ ,  $V_{\text{REF}} = 4\text{V}$ , Input Signal Span 0 to 4V, and  $C_C = 100\text{pF}$ , unless otherwise noted.

PARAMETER	CONDITIONS	XTR300			UNIT
		MIN	TYP	MAX	
<b>OFFSET VOLTAGE</b>					
Input Offset Voltage	$V_{\text{OS}}$ Output Current < $1\mu\text{A}$		$\pm 0.4$	$\pm 1.8$	mV
<b>vs Temperature</b>	$dV_{\text{OS}}/dT$		$\pm 1.5$	$\pm 6$	$\mu\text{V}/^\circ\text{C}$
vs Power Supply	PSRR $V_S = \pm 5\text{V}$ to $\pm 22\text{V}$		$\pm 0.2$	$\pm 10$	$\mu\text{V}/\text{V}$
<b>INPUT VOLTAGE RANGE</b>					
Nominal Setup for $\pm 20\text{mA}$ Output	See <a href="#">Figure 3</a>				
Maximum Input Voltage for Linear Operation		$(V-) + 3\text{V}$		$(V+) - 3\text{V}$	V
<b>NOISE</b>					
Voltage Noise, $f = 0.1\text{Hz}$ to $10\text{Hz}$ , RTI			3		$\mu\text{V}_{\text{PP}}$
Voltage Noise Density, $f = 1\text{kHz}$ , RTI	$e_n$		33		$\text{nV}/\sqrt{\text{Hz}}$
<b>OUTPUT</b>					
<b>Compliance Voltage Swing from Rail</b>	$I_{\text{DRV}} = \pm 24\text{mA}$	$(V-) + 3$		$(V+) - 3$	V
Output Conductance ( $dI_{\text{DRV}}/dV_{\text{DRV}}$ )	$dV_{\text{DRV}} = \pm 15\text{V}$ , $dI_{\text{DRV}} = \pm 24\text{mA}$		0.7		$\mu\text{A}/\text{V}$
Transconductance	See Transfer Function in <a href="#">Figure 3</a>				
Gain Error	$I_{\text{DRV}} = \pm 24\text{mA}$		$\pm 0.04$	$\pm 0.12$	%FS
<b>vs Temperature</b>	$I_{\text{DRV}} = \pm 24\text{mA}$		$\pm 3.6$	$\pm 10$	$\text{ppm}/^\circ\text{C}$
Linearity Error	$I_{\text{DRV}} = \pm 24\text{mA}$		$\pm 0.01$	$\pm 0.1$	%FS
<b>vs Temperature</b>	$I_{\text{DRV}} = \pm 24\text{mA}$		$\pm 1.5$	$\pm 6$	$\text{ppm}/^\circ\text{C}$
<b>Output Leakage Current While Output Disabled</b>	Pin $\overline{\text{OD}} = \text{L}$		<b>0.6</b>		nA
<b>Short-Circuit Current</b>	$I_{\text{SC}}$	$\pm 24.5$	$\pm 32$	$\pm 38.5$	mA
Capacitive Load Drive <sup>(1)(2)</sup>	$C_{\text{LOAD}}$		1		$\mu\text{F}$
<b>FREQUENCY RESPONSE</b>					
Bandwidth	-3dB		160		kHz
Slew Rate <sup>(2)</sup>	SR		1.3		$\text{mA}/\mu\text{s}$
Settling Time <sup>(2)(3)</sup> , 0.1%, Small Signal	$I_{\text{DRV}} = \pm 2\text{mA}$		8		$\mu\text{s}$
Overload Recovery Time	$C_{\text{LOAD}} = 0$ , 50% Overdrive		1		$\mu\text{s}$

(1) Refer to [Driving Capacitive Loads](#) section in [Applications Information](#).

(2) With capacitive load, the slew rate can be limited by the short circuit current and the load error flag can trigger during slewing.

(3)  $8\mu\text{s}$  plus number of chopping periods. See [Applications Information](#), [Internal Current Sources and Settling Time](#) section.

**ELECTRICAL CHARACTERISTICS: OPERATIONAL AMPLIFIER (OPA)**

**Boldface** limits apply over the specified temperature range:  $T_A = -40^{\circ}\text{C}$  to  $+85^{\circ}\text{C}$ .

All specifications at  $T_A = +25^{\circ}\text{C}$ ,  $V_S = \pm 20\text{V}$ , and  $R_{\text{LOAD}} = 800\Omega$ , unless otherwise noted.

PARAMETER	CONDITIONS	XTR300			UNIT
		MIN	TYP	MAX	
<b>OFFSET VOLTAGE</b>					
Offset Voltage, RTI	$V_{\text{OS}}$ $I_{\text{DRV}} = 0\text{A}$		$\pm 0.4$	$\pm 1.8$	mV
Drift	$dV_{\text{OS}}/dT$		$\pm 1.5$		$\mu\text{V}/^{\circ}\text{C}$
vs Power Supply	PSRR $V_S = \pm 5\text{V}$ to $\pm 22\text{V}$		$\pm 0.2$	$\pm 5$	$\mu\text{V}/\text{V}$
<b>INPUT VOLTAGE RANGE</b>					
Common-Mode Voltage Range	$V_{\text{CM}}$	$(V-) + 3$		$(V+) - 3$	V
Common-Mode Rejection Ratio	CMRR $(V-) + 3\text{V} < V_{\text{CM}} < (V+) - 3\text{V}$	100	126		dB
<b>INPUT BIAS CURRENT</b>					
Input Bias Current	$I_{\text{B}}$		$\pm 20$	$\pm 35$	nA
Input Offset Current	$I_{\text{OS}}$		$\pm 0.3$	$\pm 10$	nA
<b>INPUT IMPEDANCE</b>					
Differential			$10^8 \parallel 5$		$\Omega \parallel \text{pF}$
Common-Mode			$10^8 \parallel 5$		$\Omega \parallel \text{pF}$
<b>OPEN-LOOP GAIN</b>					
Open-Loop Voltage Gain	$A_{\text{OL}}$ $(V-) + 3\text{V} < V_{\text{DRV}} < (V+) - 3\text{V}$ , $I_{\text{DRV}} = \pm 24\text{mA}$	100	126		dB
<b>OUTPUT</b>					
Voltage Output Swing from Rail	$I_{\text{DRV}} = \pm 24\text{mA}$	$(V-) + 3$		$(V+) - 3$	V
Short-Circuit Current	$I_{\text{LIMIT}}$ M2 = High	$\pm 25.5$	$\pm 32$	$\pm 38.5$	mA
	$I_{\text{LIMIT}}$ M2 = Low	$\pm 16$	$\pm 20$	$\pm 24$	mA
Output Leakage Current While Output Disabled	$I_{\text{LEAK\_DRV}}$ Pin $\overline{\text{OD}} = \text{L}$		10		pA
<b>FREQUENCY RESPONSE</b>					
Gain-Bandwidth Product	GBW G = 1		2		MHz
Slew Rate	SR		1		V/ $\mu\text{s}$

## ELECTRICAL CHARACTERISTICS: INSTRUMENTATION AMPLIFIER (IA)

**Boldface** limits apply over the specified temperature range:  $T_A = -40^\circ\text{C}$  to  $+85^\circ\text{C}$ .

All specifications at  $T_A = +25^\circ\text{C}$ ,  $V_S = \pm 20\text{V}$ ,  $R_{IA} = 2\text{k}\Omega$ , and  $R_{GAIN} = 2\text{k}\Omega$ , unless otherwise noted. See [Figure 4](#).

PARAMETER	CONDITIONS	XTR300			UNIT
		MIN	TYP	MAX	
<b>OFFSET VOLTAGE</b>					
Offset Voltage, RTI	$V_{OS}$ $I_{DRV} = 0\text{A}$		$\pm 0.7$	$\pm 2.7$	mV
<b>vs Temperature</b>	$dV_{OS}/dT$		<b><math>\pm 2.4</math></b>	<b><math>\pm 10</math></b>	$\mu\text{V}/^\circ\text{C}$
<b>vs Power Supply</b>	PSRR $V_S = \pm 5\text{V}$ to $\pm 22\text{V}$		$\pm 0.8$	$\pm 10$	$\mu\text{V}/\text{V}$
<b>INPUT VOLTAGE RANGE</b>					
Input Voltage Range	$V_{CM}$	$(V-) + 3$		$(V+) - 3$	V
Common-Mode Rejection Ratio	CMRR RTI	100	130		dB
<b>INPUT BIAS CURRENT</b>					
Input Bias Current	$I_B$		$\pm 20$	$\pm 35$	nA
Input Offset Current	$I_{OS}$		$\pm 1$	$\pm 10$	nA
<b>INPUT IMPEDANCE</b>					
Differential			$10^5 \parallel 5$		$\Omega \parallel \text{pF}$
Common-Mode			$10^5 \parallel 5$		$\Omega \parallel \text{pF}$
<b>TRANSCONDUCTANCE (Gain)</b>					
Transconductance Error	$I_{AOUT} = 2 (I_{A_{IN+}} - I_{A_{IN-}})/R_{GAIN}$ $I_{AOUT} = \pm 2.4\text{mA}$ , $(V-) + 3\text{V} < V_{IAOUT} < (V+) - 3\text{V}$		$\pm 0.04$	$\pm 0.1$	%/FS
<b>vs Temperature</b>			<b><math>\pm 0.2</math></b>		<b>ppm/°C</b>
Linearity Error	$(V-) + 3\text{V} < V_{IAOUT} < (V+) - 3\text{V}$		$\pm 0.01$	$\pm 0.1$	%FS
Input Bias Current to G1, G2			$\pm 20$		nA
Input Offset Current to G1, G2 <sup>(1)</sup>			$\pm 1$		nA
<b>OUTPUT</b>					
Output Swing to the Rail	$I_{AOUT} = \pm 2.4\text{mA}$	$(V-) + 3$		$(V+) - 3$	V
Output Impedance	$I_{AOUT} = \pm 2.4\text{mA}$		600		m $\Omega$
Short-Circuit Current	$I_{LIMIT}$ $I_{LIMIT}$ M2 = High M2 = Low		$\pm 7.2$ $\pm 4.5$		mA mA
<b>FREQUENCY RESPONSE</b>					
Gain-Bandwidth Product	GBW $G = 1$ , $R_{GAIN} = 10\text{k}\Omega$ , $R_{IA} = 5\text{k}\Omega$		1		MHz
Slew Rate	SR $G = 1$ , $R_{GAIN} = 10\text{k}\Omega$ , $R_{IA} = 5\text{k}\Omega$		1		V/ $\mu\text{s}$
Settling Time <sup>(2)</sup> , 0.1%	$I_{AOUT} = \pm 40\mu\text{A}$ , $R_{GAIN} = 10\text{k}\Omega$ , $R_{IA} = 5\text{k}\Omega$ , $C_L = 100\text{pF}$		6		$\mu\text{s}$
Overload Recovery Time, 50%	$R_{GAIN} = 10\text{k}\Omega$ , $R_{IA} = 15\text{k}\Omega$ , $C_L = 100\text{pF}$		10		$\mu\text{s}$

(1) See Typical Characteristics curve ([Figure 7](#)).

(2)  $6\mu\text{s}$  plus number of chopping periods. See [Applications Information, Internal Current Sources and Settling Time](#) section.

## ELECTRICAL CHARACTERISTICS: CURRENT MONITOR

**Boldface** limits apply over the specified temperature range:  $T_A = -40^{\circ}\text{C}$  to  $+85^{\circ}\text{C}$ .

All specifications at  $T_A = +25^{\circ}\text{C}$  and  $V_S = \pm 20\text{V}$ , unless otherwise noted. See [Figure 4](#).

PARAMETER	CONDITIONS	XTR300			UNIT
		MIN	TYP	MAX	
<b>OUTPUT</b>					
Offset Current	$I_{OS}$ $I_{DRV} = 0\text{A}$		$\pm 30$	$\pm 100$	nA
Drift	$dI_{OS}/dT$		<b><math>\pm 0.05</math></b>		<b>nA/<math>^{\circ}\text{C}</math></b>
vs Power Supply	PSRR $V_S = \pm 5\text{V}$ to $\pm 22\text{V}$		$\pm 0.1$	$\pm 10$	nA/V
Monitor Output Swing to the Rail	$I_{MON} = \pm 2.4\text{mA}$	(V-) + 3		(V+) - 3	V
Monitor Output Impedance	$I_{MON} = \pm 2.4\text{mA}$		200		M $\Omega$
<b>MONITOR CURRENT GAIN</b>					
Current Gain Error	$I_{MON} = I_{DRV}/10$ $I_{DRV} = \pm 24\text{mA}$		$\pm 0.04$	$\pm 0.12$	%FS
vs Temperature	<b><math>I_{DRV} = \pm 24\text{mA}</math></b>		<b><math>\pm 3.6</math></b>		<b>ppm/<math>^{\circ}\text{C}</math></b>
Linearity Error	$I_{DRV} = \pm 24\text{mA}$		$\pm 0.01$	$\pm 0.1$	%FS
vs Temperature	<b><math>I_{DRV} = \pm 24\text{mA}</math></b>		<b><math>\pm 1.5</math></b>		<b>ppm/<math>^{\circ}\text{C}</math></b>

## ELECTRICAL CHARACTERISTICS

**Boldface** limits apply over the specified temperature range:  $T_A = -40^{\circ}\text{C}$  to  $+85^{\circ}\text{C}$ .

All specifications at  $T_A = +25^{\circ}\text{C}$  and  $V_S = \pm 20\text{V}$ , unless otherwise noted. See [Figure 4](#).

PARAMETER	CONDITIONS	XTR300			UNIT
		MIN	TYP	MAX	
<b>POWER SUPPLY</b>					
Specified Voltage Range	$V_S$	$\pm 5$		$\pm 20$	V
Operating Voltage Range		$\pm 5$		$\pm 22$	V
Quiescent Current	$I_Q$ $I_{DRV} = I_{AOUT} = 0\text{A}$		1.8	2.3	mA
Over Temperature				<b>2.8</b>	<b>mA</b>
<b>TEMPERATURE RANGE</b>					
Specified Temperature Range		-40		+85	$^{\circ}\text{C}$
Operating Temperature Range		-55		+125 <sup>(1)</sup>	$^{\circ}\text{C}$
Storage Temperature Range		-55		+125	$^{\circ}\text{C}$
Thermal Resistance					
Junction-to-Case	$\theta_{JC}$		15.2		$^{\circ}\text{C}/\text{W}$
Junction-to-Ambient	$\theta_{JA}$		38		$^{\circ}\text{C}/\text{W}$
<b>THERMAL FLAG (EF<sub>OT</sub>) Output</b>					
Alarm (EF <sub>OT</sub> pin LOW)			140		$^{\circ}\text{C}$
Return to Normal Operation (EF <sub>OT</sub> pin HIGH)			125		$^{\circ}\text{C}$
<b>DIGITAL INPUTS (M1, M2, <math>\overline{\text{OD}}</math>)</b>					
$V_{IL}$ Low-Level Input Voltage			$\leq 0.8$		V
$V_{IH}$ High-Level Input Voltage			$> 1.4$		V
Input Current			$\pm 1$		$\mu\text{A}$
<b>DIGITAL OUTPUTS (EF<sub>LD</sub>, EF<sub>CM</sub>, EF<sub>OT</sub>)</b>					
$I_{OH}$ High-Level Leakage Current (Open-Drain)			-1.2		$\mu\text{A}$
$V_{OL}$ Low-Level Output Voltage	$I_{OL} = 5\text{mA}$		0.8		V
$V_{OL}$ Low-Level Output Voltage	$I_{OL} = 2.8\text{mA}$		0.4		V
<b>DIGITAL GROUND PIN</b>					
Current Input	(V-) $\leq$ DGND $\leq$ (V+) - 7V M1 = M2 = L, $\overline{\text{OD}}$ = H, All Digital Outputs H		-25		$\mu\text{A}$

(1) EF<sub>OT</sub> not connected with  $\overline{\text{OD}}$ .

FUNCTIONAL BLOCK DIAGRAMS

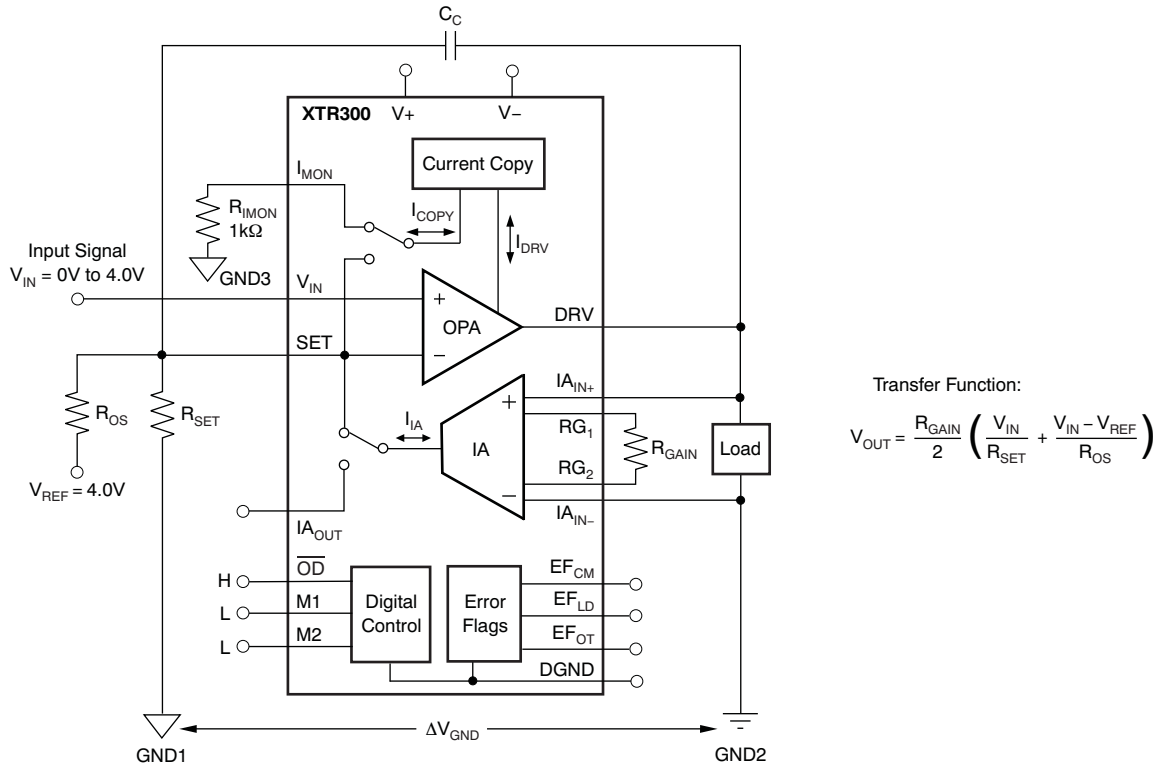


Figure 2. Standard Circuit for Voltage Output Mode

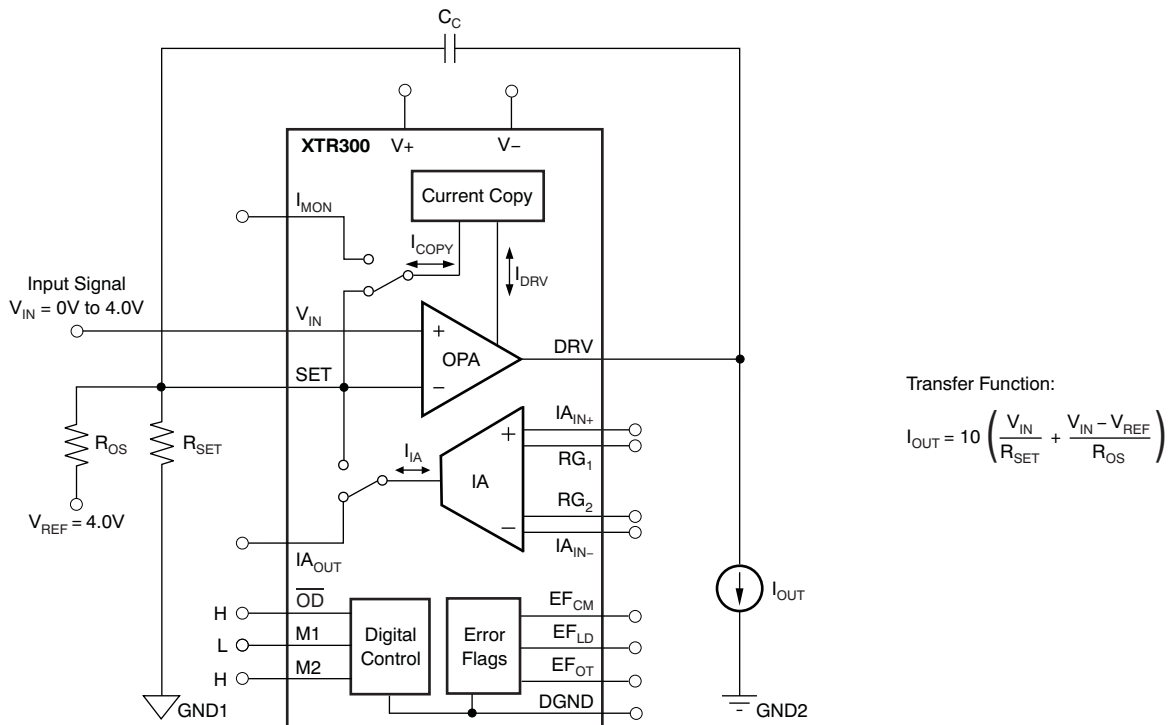


Figure 3. Standard Circuit for Current Output Mode



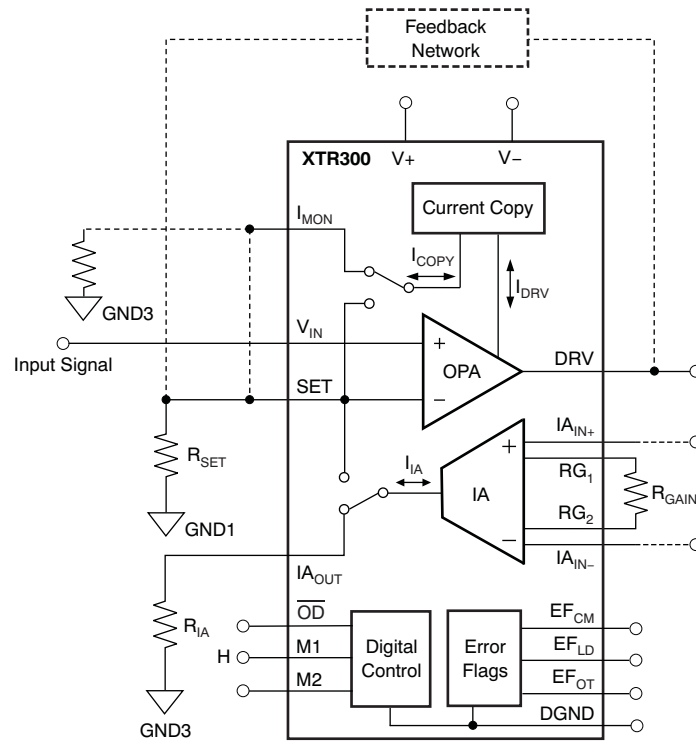
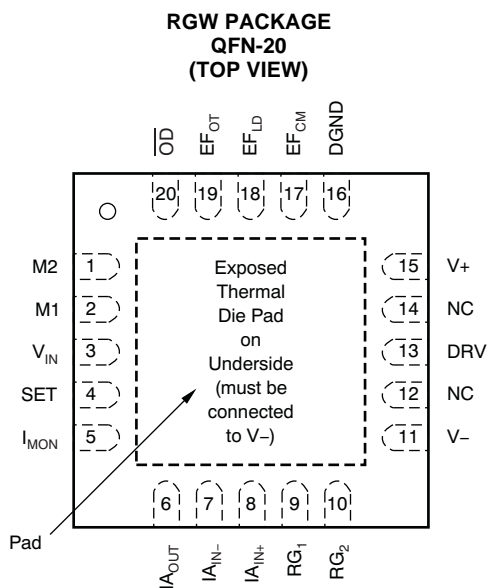


Figure 4. Standard Circuit for Externally Configured Mode

## PIN CONFIGURATIONS



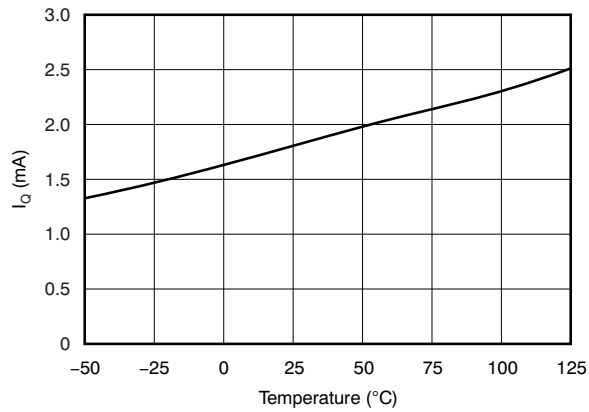
## PIN ASSIGNMENTS

PIN NO.	NAME	FUNCTION
1	M2	Mode Input
2	M1	Mode Input
3	V <sub>IN</sub>	Noninverting Signal Input
4	SET	Input for Gain Setting; Inverting Input
5	I <sub>MON</sub>	Current Monitor Output
6	I <sub>A</sub> OUT	Instrumentation Amplifier Signal Output
7	I <sub>A</sub> IN-	Instrumentation Amplifier Inverting Input
8	I <sub>A</sub> IN+	Instrumentation Amplifier Noninverting Input
9	RG1	Instrumentation Amplifier Gain Resistor
10	RG2	Instrumentation Amplifier Gain Resistor
11	V-	Negative Power Supply
12	NC	No Internal Connection
13	DRV	Operational Amplifier Output
14	NC	No Internal Connection
15	V+	Positive Power Supply
16	DGND	Ground for Digital I/O
17	EF <sub>CM</sub>	Error Flag for Common-Mode Over-Range, Active Low
18	EF <sub>LD</sub>	Error Flag for Load Error, Active Low
19	EF <sub>OT</sub>	Error Flag for Over Temperature, Active Low
20	OD	Output Disable, Disabled Low
Pad	Exposed Pad	Exposed thermal pad must be connected to V-

**TYPICAL CHARACTERISTICS**

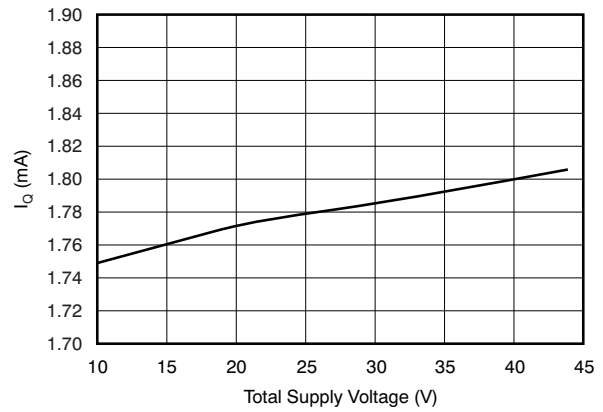
At  $T_A = +25^\circ\text{C}$  and  $V+ = \pm 20\text{V}$ , unless otherwise noted.

**QUIESCENT CURRENT vs TEMPERATURE**



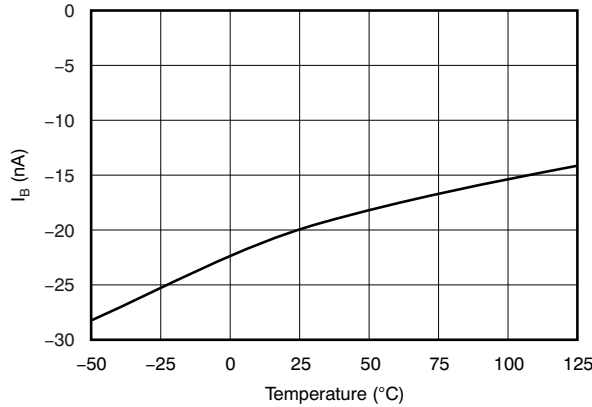
**Figure 5.**

**QUIESCENT CURRENT vs SUPPLY VOLTAGE**



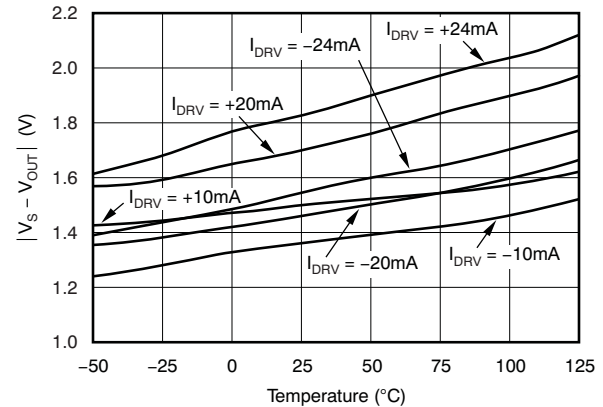
**Figure 6.**

**INPUT BIAS CURRENT vs TEMPERATURE**  
( $V_{IN}$ , SET,  $I_{A_{IN+}}$ ,  $I_{A_{IN-}}$ , RG1, RG2)



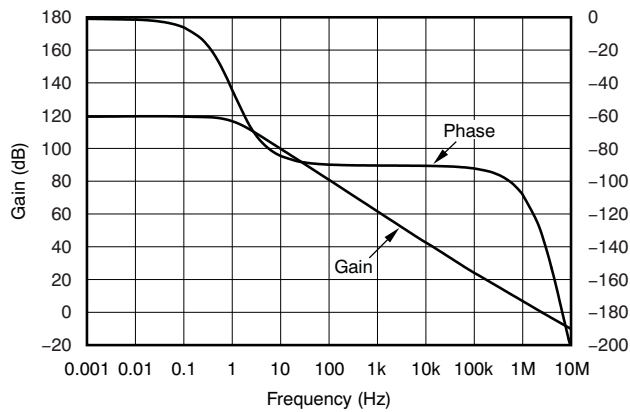
**Figure 7.**

**OPA OUTPUT SWING TO RAIL vs TEMPERATURE**



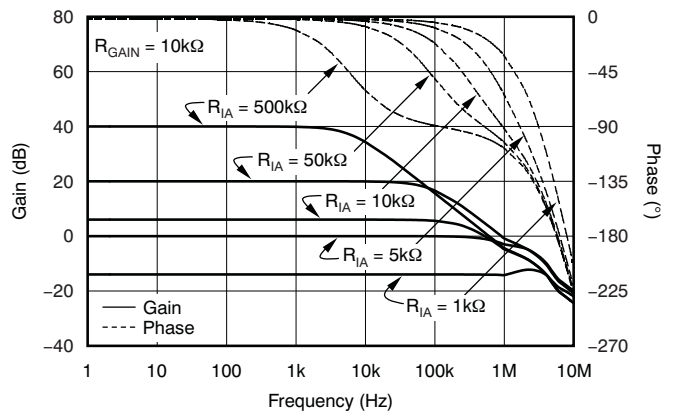
**Figure 8.**

**OPA GAIN AND PHASE vs FREQUENCY**



**Figure 9.**

**IA GAIN AND PHASE vs FREQUENCY**

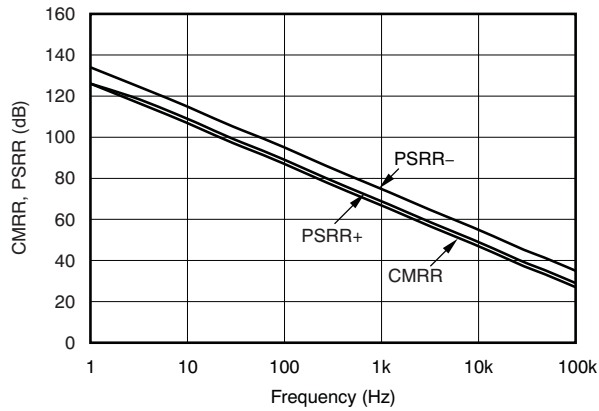


**Figure 10.**

**TYPICAL CHARACTERISTICS (continued)**

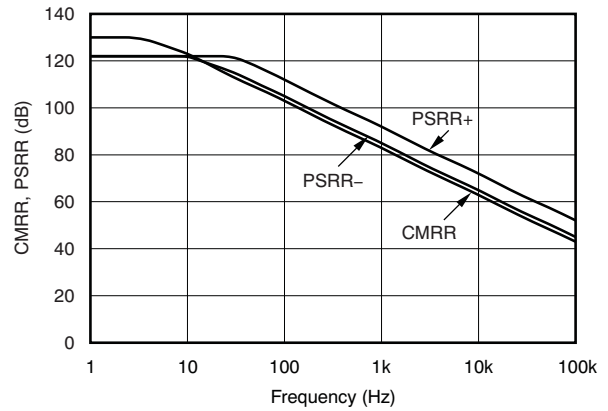
At  $T_A = +25^\circ\text{C}$  and  $V_+ = \pm 20\text{V}$ , unless otherwise noted.

**OPA CMRR AND PSRR vs FREQUENCY**



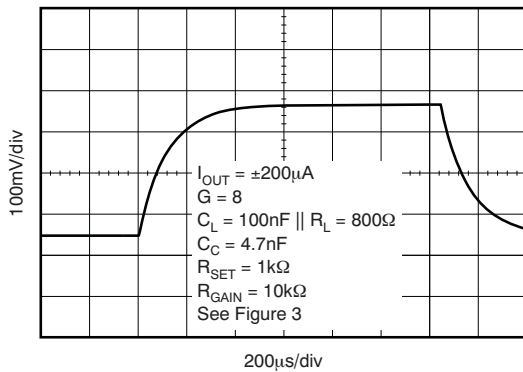
**Figure 11.**

**IA CMRR AND PSRR vs FREQUENCY**



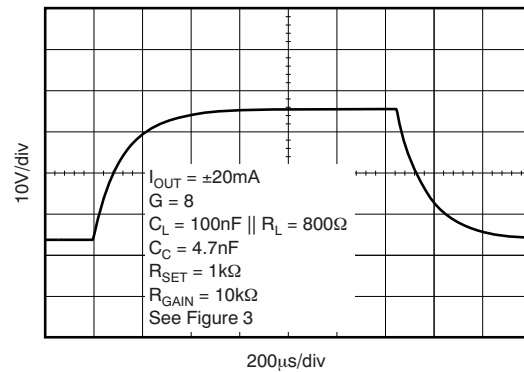
**Figure 12.**

**SMALL-SIGNAL STEP RESPONSE  
CURRENT MODE**



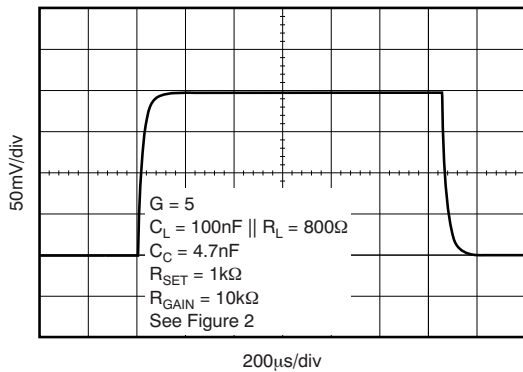
**Figure 13.**

**LARGE-SIGNAL STEP RESPONSE  
CURRENT MODE**



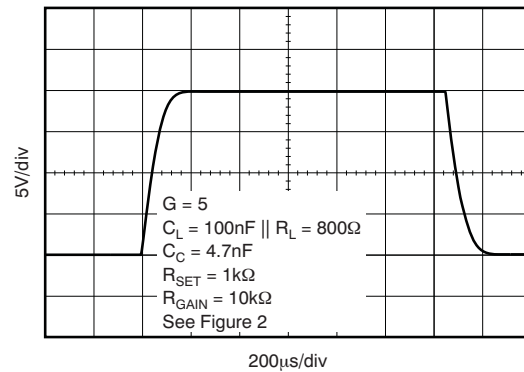
**Figure 14.**

**SMALL-SIGNAL STEP RESPONSE  
VOLTAGE MODE**



**Figure 15.**

**LARGE-SIGNAL STEP RESPONSE  
VOLTAGE MODE**

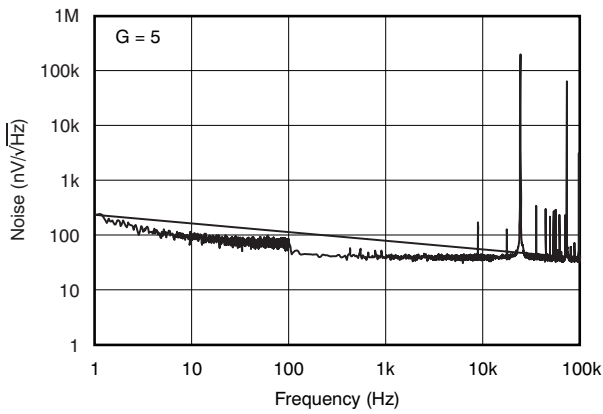


**Figure 16.**

**TYPICAL CHARACTERISTICS (continued)**

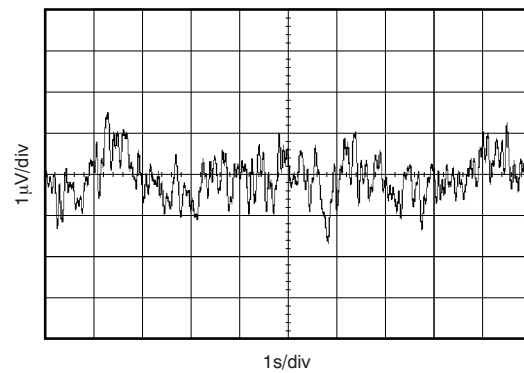
At  $T_A = +25^\circ\text{C}$  and  $V_+ = \pm 20\text{V}$ , unless otherwise noted.

**INPUT-REFERRED NOISE SPECTRUM  
VOLTAGE OUTPUT MODE**



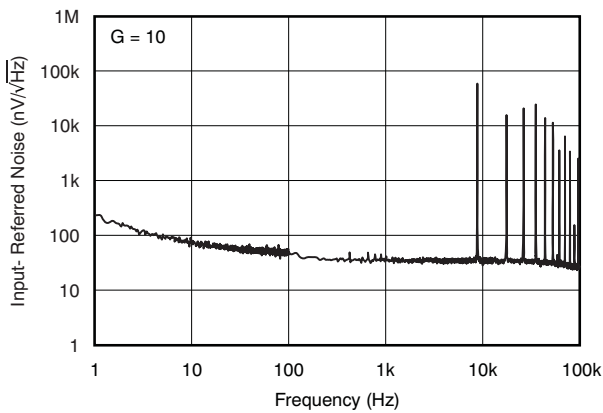
**Figure 17.**

**INPUT-REFERRED 0.1Hz to 10Hz NOISE  
VOLTAGE OUTPUT MODE**



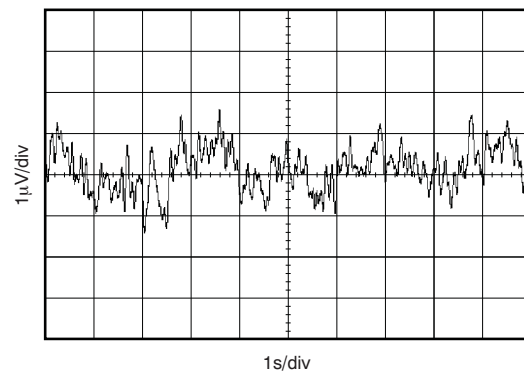
**Figure 18.**

**INPUT-REFERRED NOISE SPECTRUM  
CURRENT OUTPUT MODE**



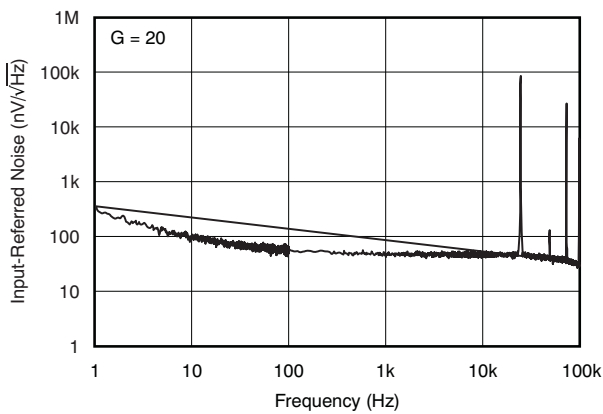
**Figure 19.**

**INPUT-REFERRED 0.1Hz to 10Hz NOISE  
CURRENT OUTPUT MODE**



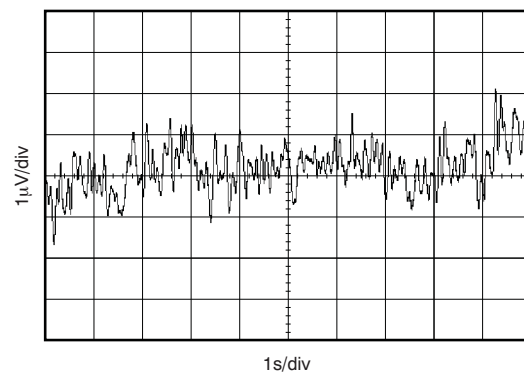
**Figure 20.**

**IA INPUT-REFERRED NOISE SPECTRUM**



**Figure 21.**

**IA INPUT-REFERRED 0.1Hz to 10Hz NOISE**

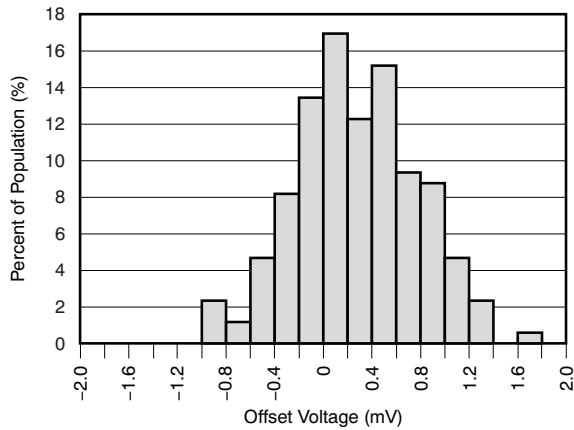


**Figure 22.**

**TYPICAL CHARACTERISTICS (continued)**

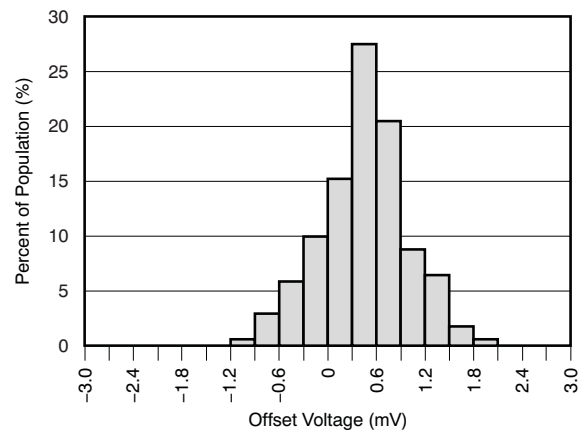
At  $T_A = +25^\circ\text{C}$  and  $V_+ = \pm 20\text{V}$ , unless otherwise noted.

**OPA OFFSET VOLTAGE DISTRIBUTION**



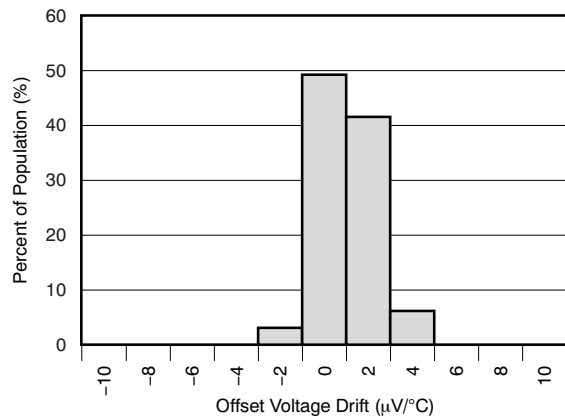
**Figure 23.**

**IA OFFSET VOLTAGE DISTRIBUTION**



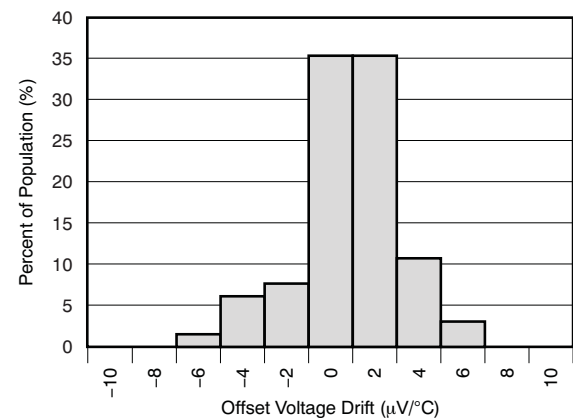
**Figure 24.**

**OPA OFFSET VOLTAGE DRIFT DISTRIBUTION**



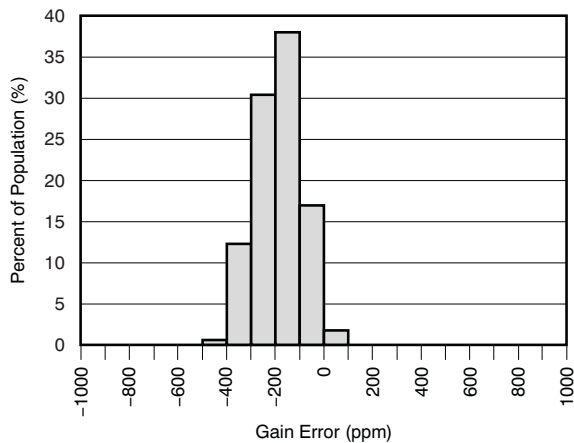
**Figure 25.**

**IA OFFSET VOLTAGE DRIFT DISTRIBUTION**



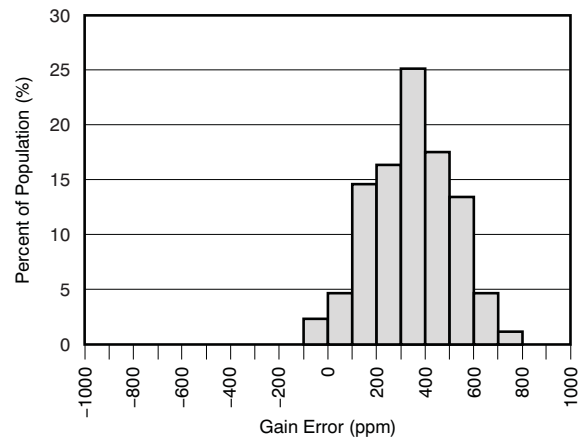
**Figure 26.**

**VOLTAGE MODE GAIN ERROR DISTRIBUTION**



**Figure 27.**

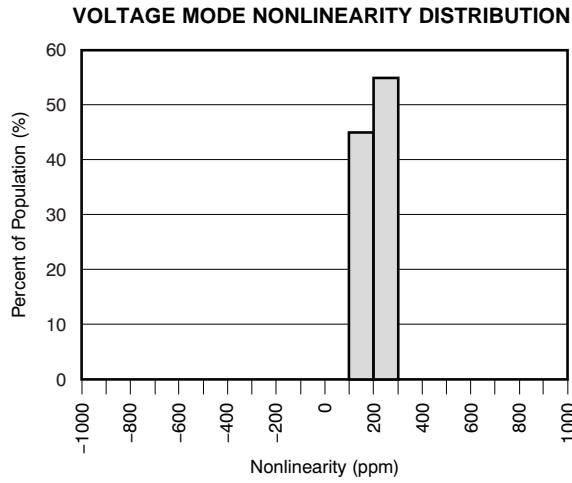
**CURRENT MODE GAIN ERROR DISTRIBUTION**



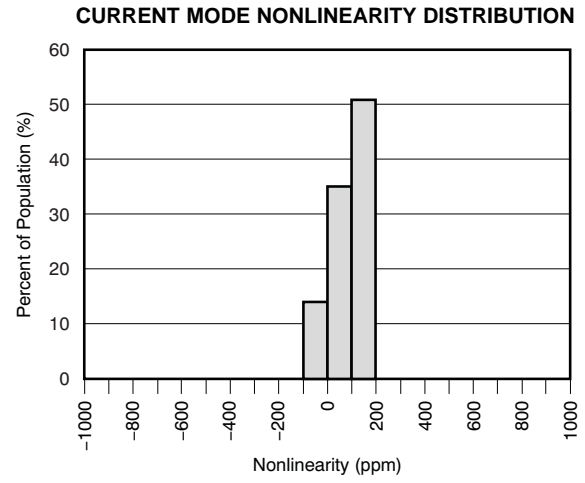
**Figure 28.**

**TYPICAL CHARACTERISTICS (continued)**

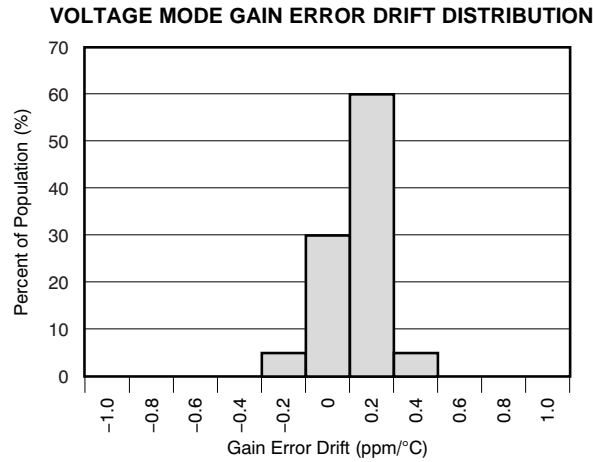
At  $T_A = +25^\circ\text{C}$  and  $V_+ = \pm 20\text{V}$ , unless otherwise noted.



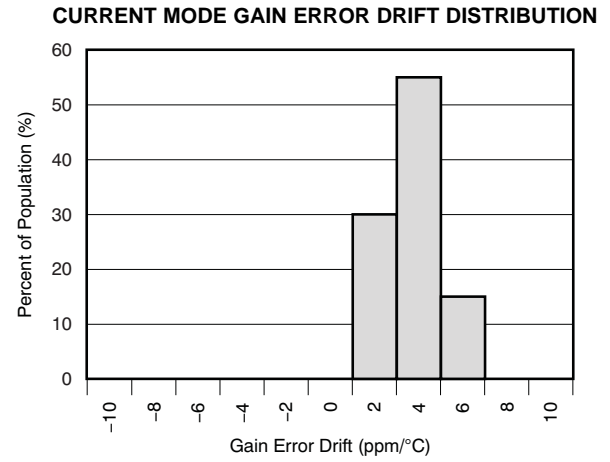
**Figure 29.**



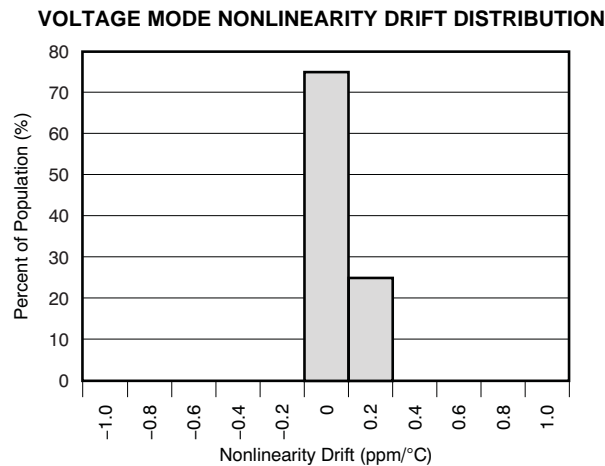
**Figure 30.**



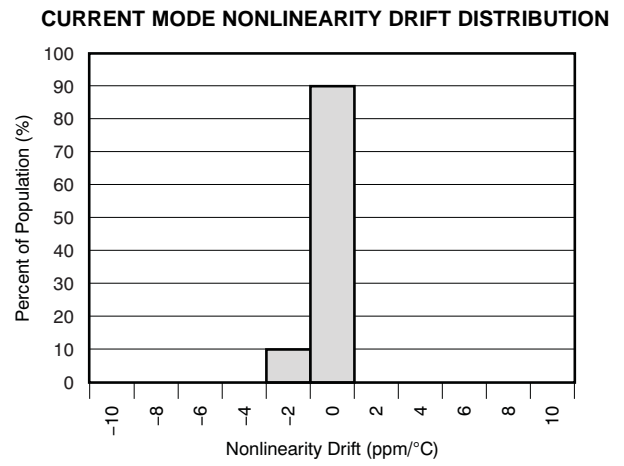
**Figure 31.**



**Figure 32.**



**Figure 33.**

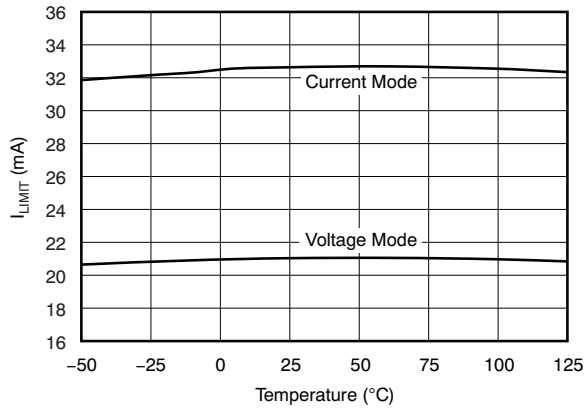


**Figure 34.**

**TYPICAL CHARACTERISTICS (continued)**

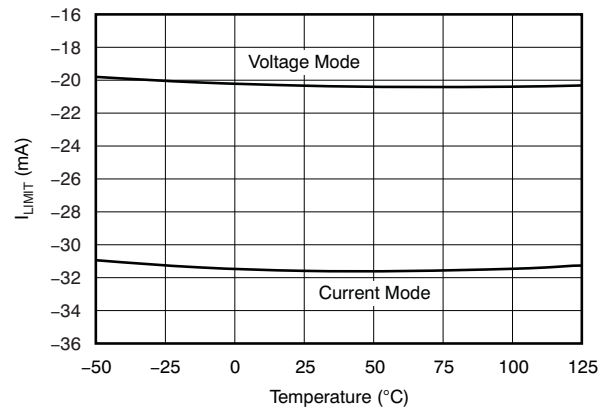
At  $T_A = +25^\circ\text{C}$  and  $V_+ = \pm 20\text{V}$ , unless otherwise noted.

**POSITIVE CURRENT LIMIT vs TEMPERATURE**



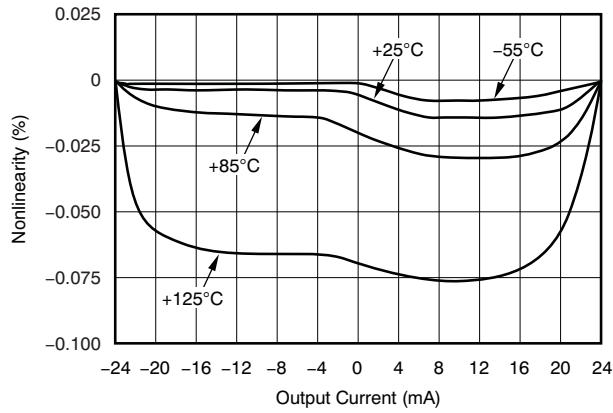
**Figure 35.**

**NEGATIVE CURRENT LIMIT vs TEMPERATURE**



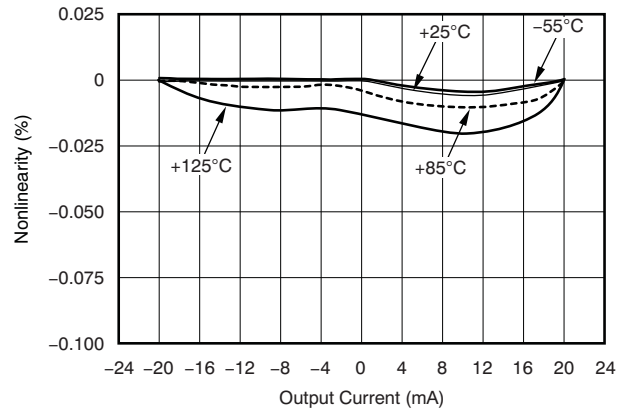
**Figure 36.**

**NONLINEARITY vs OUTPUT CURRENT  
( $\pm 24\text{mA}$  End Point Calibration)**



**Figure 37.**

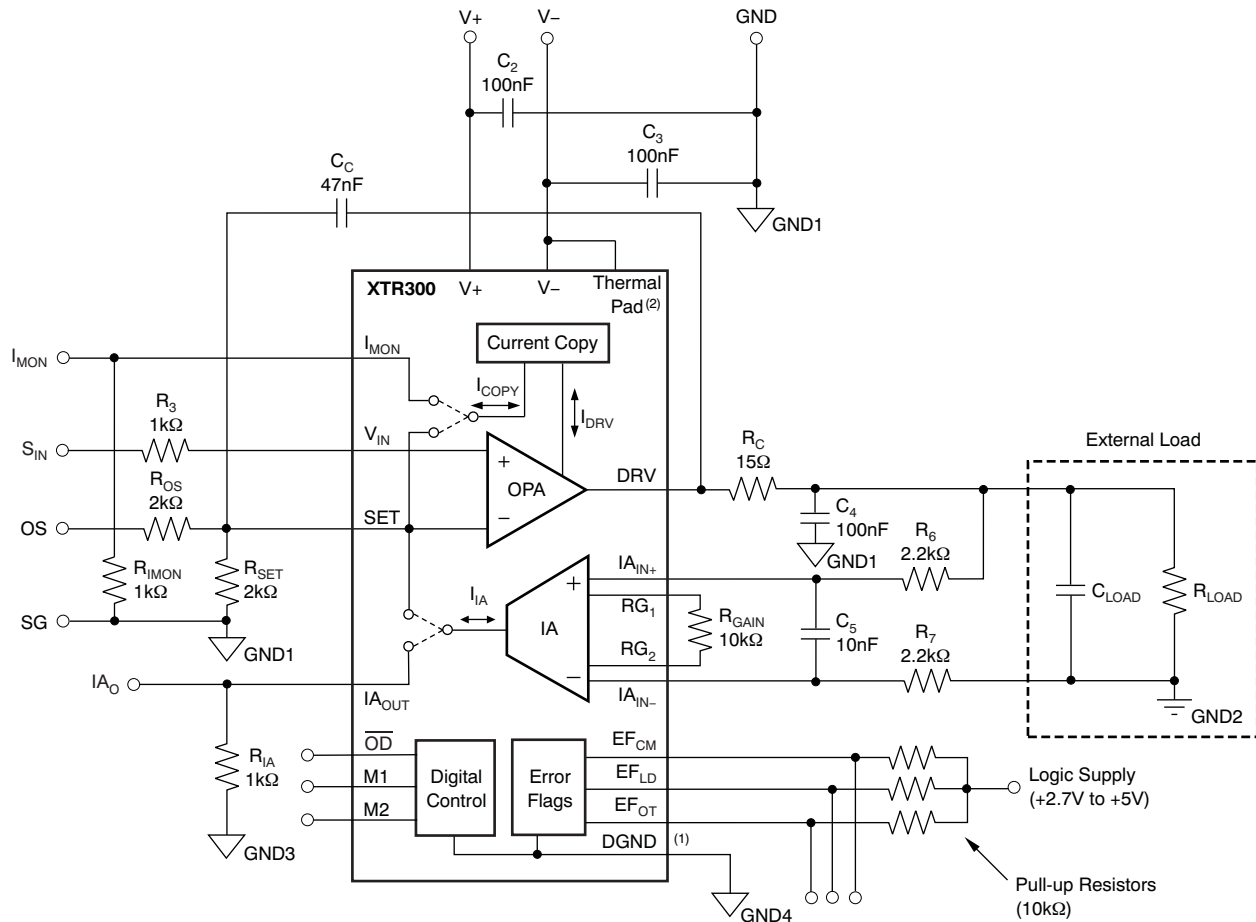
**NONLINEARITY vs OUTPUT CURRENT  
( $\pm 20\text{mA}$  End Point Calibration)**



**Figure 38.**



APPLICATION INFORMATION



- (1) See the [Electrical Characteristics](#) and [Digital Input and Output](#) section for operating limits of DGND.  
 (2) Connect thermal pad to V-.

Figure 39. Standard Circuit Configuration

The following information should be considered during XTR300 circuit configuration:

- Recommended bypassing: 100nF or more for supply bypassing at each supply.
- $R_{IMON}$  can be in the k $\Omega$ -range or short-circuited if not used. Do not leave this current output unconnected—it would saturate the internal current source. The current at this  $I_{MON}$  output is  $I_{DRV}/10$ . Therefore,  $V_{IMON} = R_{IMON} (I_{DRV}/10)$ .
- $R_3$  is not required but can match  $R_{SET}$  (or  $R_{SET} || R_{OS}$ ) to compensate for the bias current.
- $R_{IA}$  can be short-circuited if not used. Do not leave this current output unconnected.  $R_{GAIN}$  is selected to 10k $\Omega$  to match the output of 10V with 20mA for the equal input signal.
- $R_C$  ensures stability for unknown load conditions and limits the current into the internal protection diodes.  $C_4$  helps protect the device. Over-voltage clamp diodes (standard 1N4002) might be necessary to protect the output.
- $R_6$ ,  $R_7$ , and  $C_5$  protect the IA.
- $R_{LOAD}$  and  $C_{LOAD}$  represent the load resistance and load capacitance.
- $R_{SET}$  defines the transfer gain. It can be split to allow a signal offset and, therefore, allow a 5V single-supply digital-to-analog converter (DAC) to control a  $\pm 10V$  or  $\pm 20mA$  output signal.

The XTR300 can be used with asymmetric supply voltages; however, the minimum negative supply voltage should be equal to or more negative than  $-3V$  (typically  $-5V$ ). This supply value ensures proper control of  $0V$  and  $0mA$  with wire resistance, ground offsets, and noise added to the output. For positive output signals, the current requirement from this negative voltage source is less than  $5mA$ .

GND1 through GND4 must be selected to fulfill specified operating ranges. DGND must be in the range of  $(V-) \leq DGND \leq (V+) - 7V$ .

Built on a robust high-voltage BiCMOS process, the XTR300 is designed to interface the  $5V$  or  $3V$  supply domain used for processors, signal converters, and amplifiers to the high-voltage and high-current industrial signal environment. It is specified for up to  $\pm 20V$  supply, but can also be powered asymmetrically (for example,  $+24V$  and  $-5V$ ). It is designed to allow insertion of external circuit protection elements and drive large capacitive loads.

## FUNCTIONAL FEATURES

The XTR300 provides two basic functional blocks: an instrumentation amplifier (IA) and a driver that is a unique operational amplifier (OPA) for current or voltage output. This combination represents an analog output stage which can be digitally configured to provide either current or voltage output to the same terminal pin. Alternatively, it can be configured for independent measurement channels.

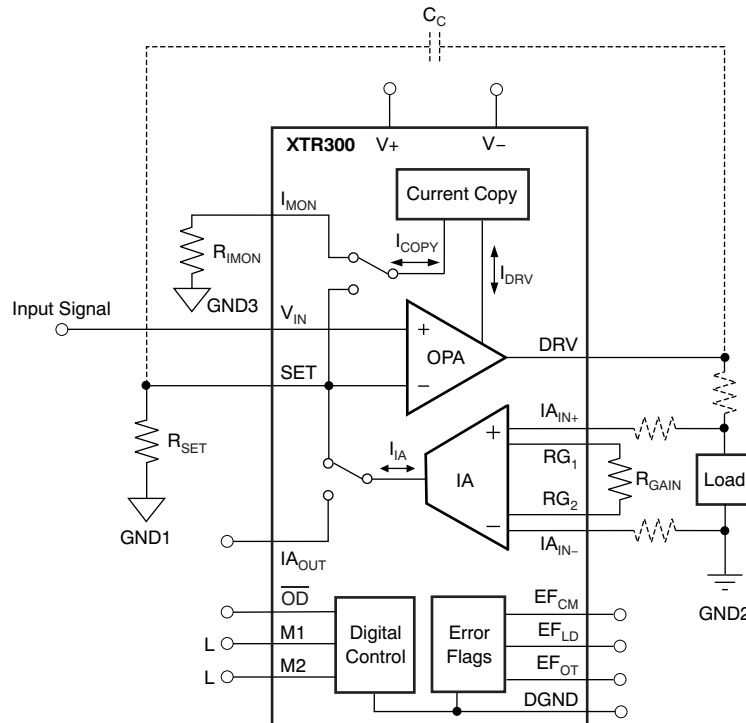
Three open collector error signals are provided to indicate output related errors such as over-current or open-load ( $EF_{LD}$ ) or exceeding the common-mode input range at the IA inputs ( $EF_{CM}$ ). An over-temperature flag ( $EF_{OT}$ ) can be used to control output disable to protect the circuit. The monitor outputs ( $I_{MON}$  and  $IA_{OUT}$ ) and the error flags offer optimal testability during operation and configuration. The  $I_{MON}$  output represents the current flowing into the load in voltage output mode, while the  $IA_{OUT}$  represents the voltage across the connectors in current output mode. Both monitor outputs can be connected together when used in current or voltage output mode because the monitor signals are multiplexed accordingly.

## VOLTAGE OUTPUT MODE

In voltage output mode (M1 and M2 are connected low or left unconnected), the feedback loop through the IA provides high impedance remote sensing of the voltage at the destination, compensating the resistance of a protection circuit, switches, wiring, and connector resistance. The output of the IA is a current that is proportional to the input voltage. This current is internally routed to the OPA summing junction through a multiplexer, as shown in [Figure 40](#).

A 1:10 copy of the output current of the OPA can be monitored at the  $I_{MON}$  pin. This output current and the known output voltage can be used to calculate the load resistance or load power.

During an output short-circuit or an over-current condition the XTR300 output current is limited and  $EF_{LD}$  (load error, active low) flag is activated.



**Figure 40. Simplified Voltage Output Mode Configuration**

Applications not requiring the remote sense feature can use the OPA in stand-alone operation (M1 = high). In this case, the IA is available as a separate input channel.

The IA gain can be set by two resistors,  $R_{GAIN}$  and  $R_{SET}$ :

$$V_{OUT} = \frac{R_{GAIN}}{2R_{SET}} V_{IN} \quad (1)$$

or when adding an offset,  $V_{REF}$ , to get bidirectional output with a single-ended input:

$$V_{OUT} = \frac{R_{GAIN}}{2} \left( \frac{V_{IN}}{R_{SET}} + \frac{V_{IN} - V_{REF}}{R_{OS}} \right) \quad (2)$$

The  $R_{SET}$  resistor is also used in current output mode. Therefore, it is useful to define  $R_{SET}$  for the current mode, then set the ratio between current and voltage span with  $R_{GAIN}$ .

## CURRENT OUTPUT MODE

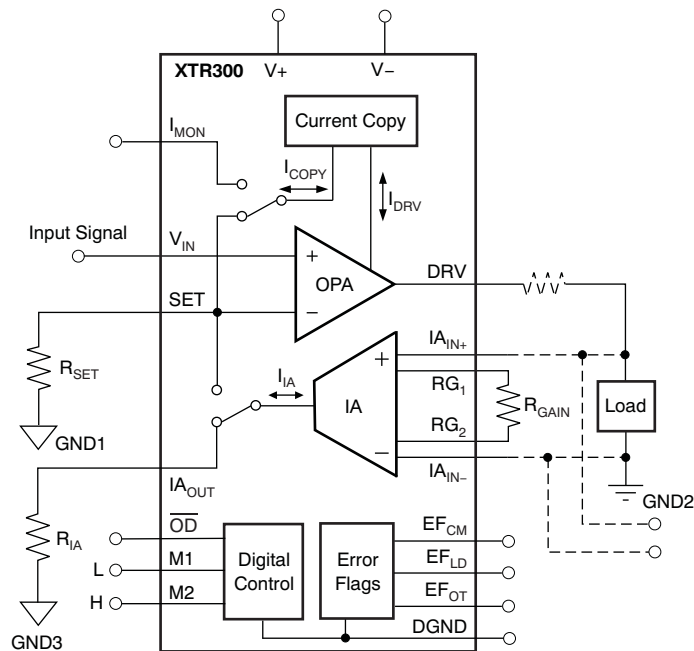
The XTR300 does not require a shunt resistor for current control because it uses a precise current mirror arrangement.

In current output mode (M1 connected low, or left unconnected and M2 connected high) a precise copy of 1/10th of the output is internally routed back to the summing junction of the OPA through a multiplexer, closing the control loop for the output current.

The OPA driver can deliver more than  $\pm 24\text{mA}$  within a wide output voltage range. An open-output condition or high-impedance load that prevents the flow of the required current activates the  $\text{EF}_{\text{LD}}$  flag and the IA can become overloaded and draw greater than 7mA saturation current.

While in current output mode, a current ( $I_{\text{IA}}$ ) that is proportional to the voltage at the IA input is routed to  $\text{IA}_{\text{OUT}}$  and can be used to monitor the load voltage. A resistor converts this current into voltage. This arrangement makes level shifting easy.

Alternatively, the IA can be used as an independent monitoring channel. If this output is not used, connect it to GND to maintain proper function of the monitor stage, as shown in Figure 41.



**Figure 41. Simplified Current Output Mode Configuration**

The transconductance (gain) can be set by the resistor,  $R_{\text{SET}}$ , according to the equation:

$$I_{\text{OUT}} = \frac{10}{R_{\text{SET}}} V_{\text{IN}} \quad (3)$$

or when adding an offset  $V_{\text{REF}}$  to get bidirectional output with a single-ended input:

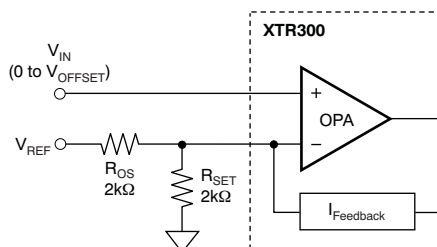
$$I_{\text{OUT}} = 10 \left( \frac{V_{\text{IN}}}{R_{\text{SET}}} + \frac{V_{\text{IN}} - V_{\text{REF}}}{R_{\text{OS}}} \right) \quad (4)$$

## INPUT SIGNAL CONNECTION

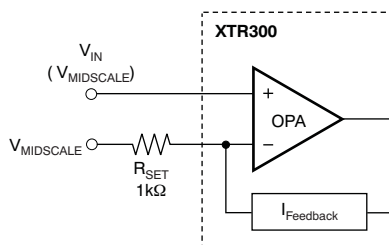
It is possible to drive the XTR300 with a unidirectional input signal and still get a bidirectional output by adding an additional resistor,  $R_{OS}$ , and an offset voltage signal,  $V_{REF}$ . It can be a mid-point voltage or a signal to shift the output voltage to a desired value.

This design is illustrated in [Figure 42a](#), [Figure 42b](#), and [Figure 42c](#). As with a normal operational amplifier, there are several options for offset-shift circuits. The input can be connected for inverting or noninverting gain. Unlike many op amp input circuits, however, this configuration uses current feedback, which removes the voltage relationship between the noninverting input and output potential because there is no feedback resistor.

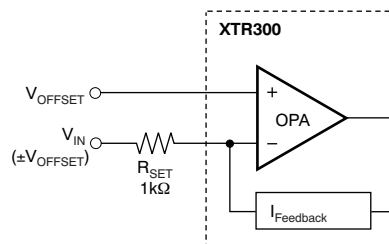
a) Noninverting Input



b) Noninverting Input



c) Inverting Input ( $V_{REF} = V_{OFFSET}$ )



**Figure 42. Circuit Options for Op Amp Output Level-Shifting**

The input bias current effect on the offset voltage can be reduced by connecting a resistor in series with the positive input that matches the approximate resistance at the negative input. This resistor placed close to the input pin acts as a damping element and makes the design less sensitive to RF noise. See  $R_3$  in [Figure 39](#).

## EXTERNALLY-CONFIGURED MODE: OPA AND IA

It is possible to use the precision of the operational amplifier (OPA) and instrumentation amplifier (IA) independently from each other by configuring the digital control pins (M1 high). In this mode, the IA output current is routed to  $I_{A_{OUT}}$  and the copy of the OPA output current is routed to  $I_{MON}$ , as shown in [Figure 4](#).

This mode allows external configuration of the analog signal routing and feedback loop.

The current output IA has high input impedance, low offset voltage and drift, and very high common-mode rejection ratio. An external resistor ( $R_{IA}$ ) can be used to convert the output current of the IA ( $I_{IA}$ ) to an output voltage. The gain is given by:

$$I_{IA} = \frac{2}{R_{GAIN}} V_{IN} \quad \text{or} \quad V_{IA} = \frac{2R_{IA}}{R_{GAIN}} V_{IN} \quad (5)$$

The OPA provides low drift and high voltage output swing that can be used like a common operational amplifier by connecting a feedback network around it. In this mode, the copy of the output current is available at the  $I_{MON}$  pin (it includes the current into the feedback network). It provides an output current limit for protection, which can be set between two ranges by M2. The error flag indicates an overcurrent condition, as well as indicating driving the output into the supply rails.

Alternatively, the feedback can be closed through the  $I_{MON}$  pin to create a precise voltage-to-current converter.

## DRIVER OUTPUT DISABLE

The OPA output (DRV) can be switched to a high-impedance mode by driving the  $\overline{OD}$  control pin low. This input can be connected to the over-temperature flag,  $EF_{OT}$ , and a pull-up resistor to protect the IC from over-temperature by disconnecting the load.

The output disable mode can be used to sense and measure the voltage at the IA input pins without loading from the DRV output. This mode allows testing of any voltage present at the I/O connector. However, consider the bias current of the IA input pins.

The digital control inputs, M1 and M2, set the four operation modes of the XTR300 as shown in [Table 1](#). When M1 is asserted low, M2 determines voltage or current mode and the corresponding appropriate current limit ( $I_{SC}$ ) setting. When M1 is high, the internal feedback connections are opened;  $I_{A_{OUT}}$  and  $I_{MON}$  are both connected to the output pins; and M2 only determines the current limit ( $I_{SC}$ ) setting.

M1 and M2 are pulled low internally with  $1\mu A$ . Terminate these two pins to avoid noise coupling. Output disable ( $\overline{OD}$ ) is internally pulled high with approximately  $1\mu A$ . When connecting  $\overline{OD}$  to  $EF_{OT}$ , a  $2.2k\Omega$  pull-up resistor is recommended.

**Table 1. Summary of Configuration Modes<sup>(1)</sup>**

M1	M2	MODE	DESCRIPTION
L	L	$V_{OUT}$	Voltage Output Mode, $I_{SC} = 20mA$
L	H	$I_{OUT}$	Current Output Mode, $I_{SC} = 32mA$
H	L	Ext	IA and $I_{MON}$ on ext. pins, $I_{SC} = 20A$
H	H	Ext	IA and $I_{MON}$ on ext. pins, $I_{SC} = 32mA$

(1)  $\overline{OD}$  is a control pin independent of M1 or M2.

## DRIVING CAPACITIVE LOADS AND LOOP COMPENSATION

For normal operation, the driver OPA and the IA are connected in a closed loop for voltage output. In current output mode, the current copy closes the loop directly.

In current output mode, loop compensation is not critical, even for large capacitive loads. However, in voltage output mode, the capacitive load, together with the source impedance and the impedance of the protection circuit, generates additional phase lag. The IA input might also be protected by a low-pass filter that influences phase in the closed loop.

The loop compensation low-pass filter consists of  $C_C$  and the parallel resistance of  $R_{OS}$  and  $R_{SET}$ . For loop stability with large capacitive load, the external phase shift has to be added to the OPA phase. With  $C_C$ , the voltage gain of the OPA has to approach zero at the frequency where the total phase approaches  $180^\circ + 135^\circ$ .

The best stability for large capacitive loads is provided by adding a small resistor,  $R_C$  ( $15\Omega$ ). See the [Output Protection](#) section.

An empirical method of evaluation is using a square wave input signal and observing the settling after transients. Use small signal amplitudes only—steep signal edges cause excessive current to flow into the capacitive load and may activate the current limit, which hides or prevents oscillation. A small-signal oscillation can be hidden from large capacitive loads, but observing the  $I_{MON}$  output on an appropriate resistor (use a similar value like  $R_{SET}||R_{OS}$ ) would indicate stability issues. Note that noise pulses at  $I_{MON}$  during overload ( $EF_{LD}$  active) are normal and are caused by cycling of the current mirror.

The voltage output mode includes the IA in the loop. An additional low-pass filter in the input reverses the phase and therefore increases the signal bandwidth of the loop, but also increases the delay. Again, loop stability has to be observed. Overloading the IA disconnects the closed loop and the output voltage rails.

## INTERNAL CURRENT SOURCES, SWITCHING NOISE, AND SETTLING TIME

The accuracy of the current output mode and the dc performance of the IA rely on dynamically-matched current mirrors.

Identical current sources are rotated to average out mismatch errors. It can take several clock cycles of the internal 100kHz oscillator (or a submultiple of that frequency) to reach full accuracy. This may dominate the settling time to the 0.1% accuracy level and can be as much as  $100\mu s$  in current output mode or  $40\mu s$  in voltage output mode.

A small portion of the switching glitches appear at the DRV output, and also at the  $I_{MON}$  and  $IA_{MON}$  outputs. The standard circuit configuration, with  $R_C$ ,  $C_4$ , and  $C_C$ , which are required for loop compensation and output protection, also helps reduce the noise to negligible levels at the signal output. If necessary, the monitor outputs can be filtered with a shunt capacitor.

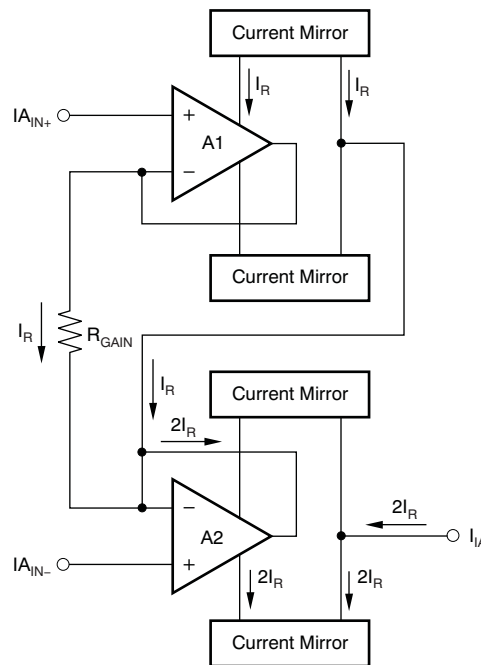
## IA STRUCTURE, VOLTAGE MONITOR

The instrumentation amplifier has high-impedance NPN transistor inputs that do not load the output signal, which is especially important in current output mode. The output signal is a controlled current that is multiplexed either to the SET pin (to close the voltage output loop) or to  $I_{A\_OUT}$  (for external access).

The principal circuit is shown in Figure 43. The two input buffer amplifiers reproduce the input difference voltage across  $R_{GAIN}$ . The resulting current through this resistor is bidirectionally mirrored to the output. That mirroring results in the ideal transfer function of:

$$I_{IA} = I_{A\_OUT} = 2 \frac{(I_{A\_IN+} - I_{A\_IN-})}{R_{GAIN}} \quad (6)$$

The accuracy and drift of  $R_{GAIN}$  defines the accuracy of the voltage to current conversion. The high accuracy and stability of the current mirrors result from a cycling chopper technique.



**Figure 43. IA Block Diagram**

The output current,  $I_{A\_OUT}$ , of the instrumentation amplifier is limited to protect the internal circuitry. This current limit has two settings controlled by the state of M2 (see [Electrical Characteristics](#), Short-Circuit Current specification). Note that if  $R_{SET}$  is too small, the current output limitation of the instrumentation amplifier can disrupt the closed loop of the XTR300 in voltage output mode. With M2 = low, the nominal  $R_{GAIN}$  of 10k $\Omega$  allows an input voltage of 20V<sub>PP</sub>, which produces an output current of 4mA<sub>PP</sub>. When using lower resistors for  $R_{GAIN}$  that can allow higher currents, the IA output current limitation must be taken into account.

## CURRENT MONITOR

In current output mode (M2 = high), the XTR300 provides high output impedance. A precision current mirror generates an exact 1/10th copy of the output current and this current is either routed to the summing junction of the OPA to close the feedback loop (in the current output mode) or to the  $I_{MON}$  pin for output current monitoring in other operating modes.

The high accuracy and stability of this current split results from a cycling chopper technique. This design eliminates the need for a precise shunt resistor or a precise shunt voltage measurement, which would require high common-mode rejection performance.

During a saturation condition of the DRV output (the error flag is active), the monitor output ( $I_{MON}$ ) shows a current peak because the loop opens. Glitches from the current mirror chopper appear during this time in the monitor signal. This part of the signal cannot be used for measurement.



## ERROR FLAGS

The XTR300 is designed for testability of its proper function and allows observation of the conditions at the load connection without disrupting service.

If the output signal is not in accordance to the transfer function, an error flag is activated (limited by the dynamic response capabilities). These error flags are in addition to the monitor outputs,  $I_{MON}$  and  $I_{AOUT}$ , which allow the momentary output current (in voltage mode) or output voltage (in current mode) to be read back.

This combination of error flag and monitor signal allows easy observation of the XTR300 for function and working condition, providing the basis for not only remote control, but also for remote diagnosis.

All error flags of the XTR300 have open collector outputs with a weak pull-up of approximately  $1\mu A$  to an internal 5V. External pull-up resistors to the logic voltage are required when driving 3V or 5V logic.

The output sink current should not exceed 5mA. This is just enough to directly drive optical-couplers, but a current-limiting resistor is required.

There are three error flags:

- **IA Common-Mode Over-Range ( $EF_{CM}$ )**—goes low as soon as the inputs of the IA reach the limits of the linear operation for the input voltage. This flag shows noise from the saturated current mirrors which can be filtered with a capacitor to GND.
- **Load Error ( $EF_{LD}$ )**—indicates fault conditions driving voltage or current into the load. In voltage output mode it monitors the voltage limits of the output swing and the current limit condition caused from short or low load resistance. In current output mode it indicates a saturation into the supply rails from a high load resistance or open load.
- **Over-Temperature Flag ( $EF_{OT}$ )**—is a digital output that goes low if the chip temperature reaches a temperature of  $+140^{\circ}C$  and resets as soon as it cools down to  $+125^{\circ}C$ . It does not automatically shut down the output; it allows the user system to take action on the situation. If desired, this output can be connected to output disable ( $\overline{OD}$ ) which disables the output and therefore removes the source of power. This connection acts like an automatic shut down, but requires a  $2.2k\Omega$  external pull-up resistor to safely override the internal current sources. The IA channel is not affected, which allows continuous observation of the voltage at the output.

## DIGITAL I/O AND GROUND CONSIDERATIONS

The XTR300 offers voltage output mode, current output mode, external configuration, and instrumentation mode (voltage input). In addition, the internal feedback mode can be disconnected and external loop connections can be made. These modes are controlled by M1 and M2 (see the function table). The  $\overline{OD}$  input pin controls enable or disable of the output stage ( $\overline{OD}$  is active low).

The digital I/O is referenced to DGND and signals on this pin should remain within 5V of the DGND potential. This DGND pin carries the output low-current (sink current) of the logic outputs. DGND can be connected to a potential within the supply voltage but needs to be 8V below the positive supply. Proper connection avoids current from the digital outputs flowing into the analog ground.

### CAUTION

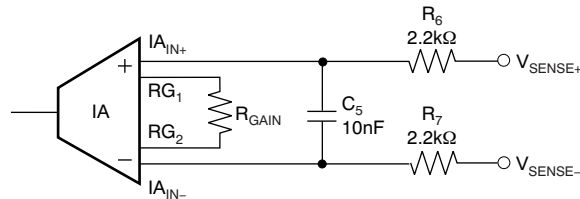
It is important to note that DGND has normally reverse-biased diodes connected to the supply. Therefore, high and destructive currents could flow if DGND is driven beyond the supply rails by more than a diode forward voltage. *Avoid this condition during power-on and power-off!*

## OUTPUT PROTECTION

The XTR300 is intended to operate in a harsh industrial environment. Therefore, a robust semiconductor process was chosen for this design. However, some external protection is still required.

The instrumentation amplifier inputs can be protected by external resistors that limit current into the protection cell behind the IC-pins, as shown in Figure 44. This cell conducts to the power-supply connection through a diode as soon as the input voltage exceeds the supply voltage. The circuit configuration example shows how to arrange these two external resistors.

The bias current is best cancelled if both resistors are equal. The additional capacitor reduces RF noise in the input signal to the IA.

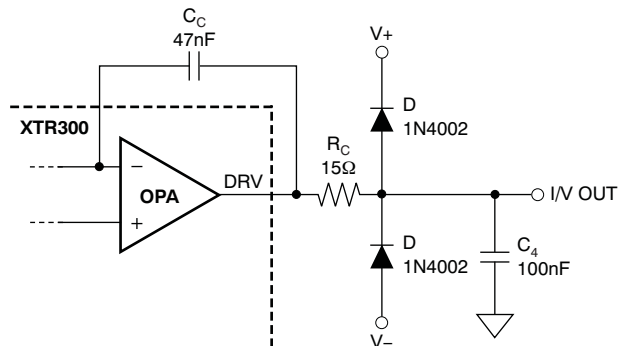


**Figure 44. Current-Limiting Resistors**

The load connection to the DRV output must be low impedance; therefore, external protection diodes may be necessary to handle excessive currents, as shown in Figure 45. The internal protection diodes start to conduct earlier than a normal external PN-type diode because they are affected by the higher die temperature. Therefore, either Schottky diodes are required, or an additional resistor ( $R_C$ ) can be placed in series with the input. An example of this protection is shown in Figure 45. Assuming the standard diodes limit the voltage to 1.4V and the internal diodes clamp at 0.7V, this resistor can limit the current into the internal protection diodes to 50mA:

$$\frac{(1.4V - 0.7V)}{15\Omega} = 47mA \quad (7)$$

$R_C$  is also part of the recommended loop compensation.  $C_4$  helps protect the output against RFI and high-voltage spikes.



**Figure 45. Example for DRV Output Protection**

## POWER ON/OFF GLITCH

When power is turned on or off, most analog amplifiers generate some glitching of the output because of internal circuit thresholds and capacitive charges. Characteristics of the supply voltage, as well as its rise and fall time, directly influence output glitches. Load resistance and capacitive load also affect the amplitude.

The output disable control ( $\overline{OD}$ ) cannot fully suppress glitches during power-on and power-off, but reduces the energy significantly. The glitch consists of a small amount of current and capacitive charge (voltage) that reacts with the resistive and capacitive load. The bias current of the IA inputs that are normally connected to the output also generate a voltage across the load.

Figure 46 indicates no glitches when transitioning between disable and enable. This measurement is made with a load resistance of 1k $\Omega$  and tested in the circuit configuration of Figure 39.

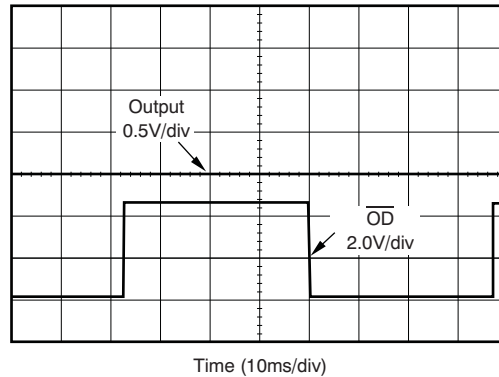


Figure 46. Output Signal During Toggle of  $\overline{OD}$

When power is off or with low supply, the output is diode clamped to the momentary supply voltage, but can float while output disabled within those limits unless terminated. Only an external switch (relays or opto-relays) can isolate the output under such conditions. Refer to Figure 47 for an illustration of this configuration. The same consideration applies if low impedance zero output is required, even during power-off.

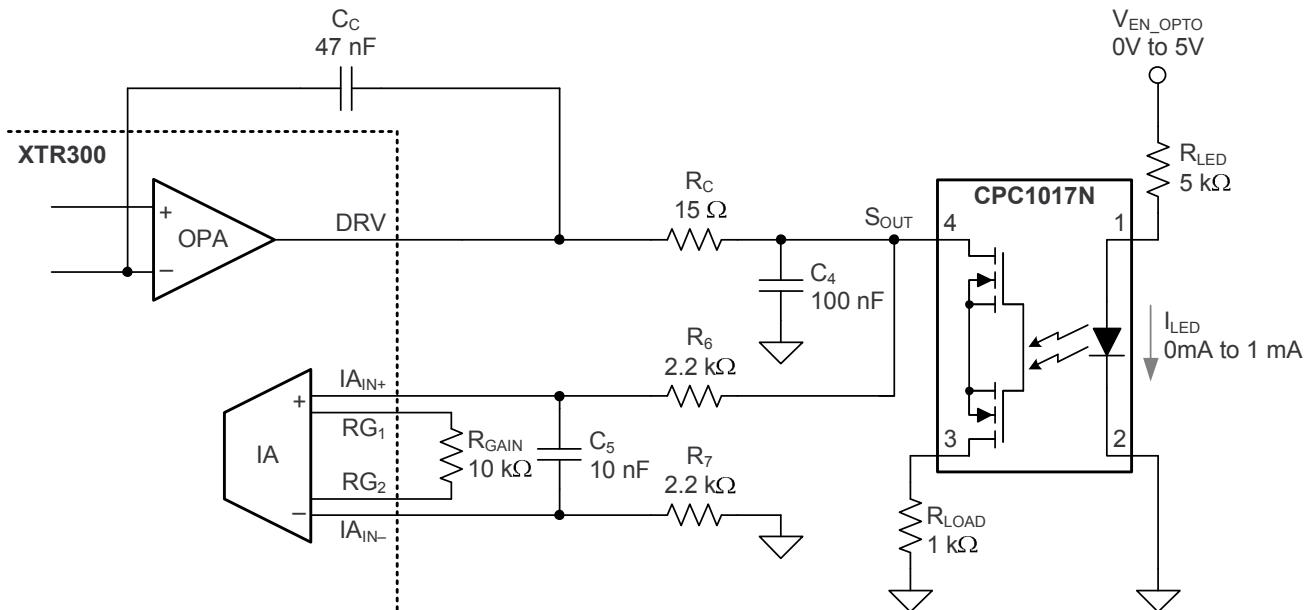


Figure 47. Example for Opto-Relay Output Isolation

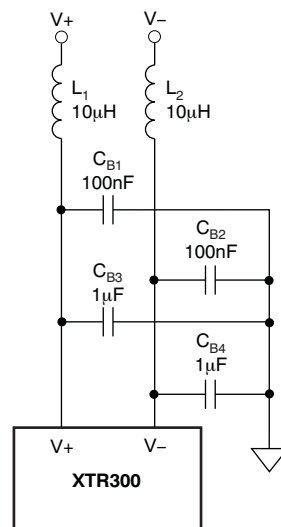
## LAYOUT CONSIDERATIONS

Supply bypass capacitors should be close to the package and connected with low-impedance conductors. Avoid noise coupled into  $R_{GAIN}$ , and observe wiring resistance. For thermal management, see the [Package and Heat Sinking](#) section.

Layout for the XTR300 is not critical; however, its internal current chopping works best with good (low dynamic impedance) supply decoupling. Therefore, avoid through-hole contacts in the connection to the bypass capacitors or use multiple through-hole contacts. Switching noise from chopper-type power supplies should be filtered enough to reduce influence on the circuit. Small resistors ( $2\Omega$ , for example) or damping inductors in series with the supply connection (between the dc/dc converter and the XTR circuit) act as a decoupling filter together with the bypass capacitor, as shown in [Figure 48](#).

Resistors connected close to the input pins help dampen environmental noise coupled into conductor traces. Therefore, place the OPA input- and IA input-related resistors close to the package. Also, avoid additional wire resistance in series to  $R_{SET}$ ,  $R_{OS}$ , and  $R_{GAIN}$  (observe the reliability of the through-hole contacts), because this resistance could produce gain and offset error as well as drift;  $1\Omega$  is already 0.1% of the  $1k\Omega$  resistor.

The exposed lead-frame die pad on the bottom of the package must be connected to  $V-$ , pin 11 (see the [QFN Package and Heat Sinking](#) section for more details).



**Figure 48. Suggested Supply Decoupling for Noisy Chopper-Type Supplies**

## QFN PACKAGE AND HEAT SINKING

The XTR300 is available in a QFN package. This leadless, near-chip-scale package maximizes board space and enhances thermal and electrical characteristics of the device through an exposed thermal pad.

Packages with an exposed thermal pad are specifically designed to provide excellent power dissipation, but printed circuit board (PCB) layout greatly influences overall heat dissipation. The thermal resistance from junction-to-ambient ( $\theta_{JA}$ ) is specified for the packages with the exposed thermal pad soldered to a normalized PCB, as described in Technical Brief [SLMA002](#), *PowerPAD™ Thermally-Enhanced Package*. See also *EIA/JEDEC Specifications JESD51-0 to 7, QFN/SON PCB Attachment (SLUA271)*, and *Quad Flatpack No-Lead Logic Packages (SCBA017)*. These documents are available for download at [www.ti.com](#).

**NOTE:** All thermal models have an accuracy variation of  $\pm 20\%$ .

Component population, layout of traces, layers, and air flow strongly influence heat dissipation. Worst-case load conditions should be tested in the real environment to ensure proper thermal conditions. Minimize thermal stress for proper long-term operation with a junction temperature well below  $+125^\circ\text{C}$ .

The exposed lead-frame die pad on the bottom of the package must be connected to the  $V-$  pin.

## POWER DISSIPATION

Power dissipation depends on power supply, signal, and load conditions. It is dominated by the power dissipation of the output transistors of the OPA. For dc signals, power dissipation is equal to the product of output current,  $I_{OUT}$  and the output voltage across the conducting output transistor ( $V_S - V_{OUT}$ ).

It is very important to note that the temperature protection does not shut the part down in overtemperature conditions, unless the  $EF_{OT}$  pin is connected to the output enable pin  $\overline{OD}$ ; see the [Driver Output Disable](#) section.

The power that can be safely dissipated in the package is related to the ambient temperature and the heatsink design and conditions. The QFN package with an exposed thermal pad is specifically designed to provide excellent power dissipation, but board layout greatly influences the heat dissipation.

To appropriately determine the required heatsink area, required power dissipation should be calculated and the relationship between power dissipation and thermal resistance should be considered to minimize overheat conditions and allow for reliable long-term operation.

The heat sinking efficiency can be tested using the  $EF_{OT}$  output signal. This output goes low at nominally +140°C junction temperature (assume 6% tolerance). With full power dissipation (for example, maximum current into a 0Ω load), the ambient temperature can be slowly raised until the OT flag goes low. This flag would indicate the minimum heat-sinking for the usable operation condition.

The recommended landing pattern for the QFN package is shown at the end of this data sheet.

## REVISION HISTORY

NOTE: Page numbers for previous revisions may differ from page numbers in the current version.

<b>Changes from Revision B (March, 2006) to Revision C</b>	<b>Page</b>
• Updated document format to current standards .....	1
• Deleted information regarding HART digital communication throughout document .....	1
• Added footnote regarding small-signal measurement with no capacitive load in Electrical Characteristics (Voltage Output Mode) .....	3
• Corrected <i>Nominal setup for ±20mA Output</i> parameter from <i>±20V Output</i> in Electrical Characteristics (Current Output Mode) .....	4
• Changed <i>Common-Mode Voltage Range</i> parameter to <i>Input Voltage Range</i> in Electrical Characteristics (Instrumentation Amplifier) .....	6
• Added conditions to <i>Short Circuit Current</i> parameter in Electrical Characteristics (Instrumentation Amplifier) .....	6
• Changed last paragraph of <i>Driver Output Disable</i> section .....	22
• Corrected footnote to Table 1 .....	22
• Revised <i>Over-Temperature Flag</i> description in <i>Error Flags</i> section to indicate the need for a 2.2kΩ resistor .....	25
• Revised <i>Power On/Off Glitch</i> section and added <i>Figure 47</i> .....	27
• Updated and combined <i>QFN Package and Heat Sinking</i> sections .....	28
• Added <i>Power Dissipation</i> section .....	29

**PACKAGING INFORMATION**

Orderable part number	Status (1)	Material type (2)	Package   Pins	Package qty   Carrier	RoHS (3)	Lead finish/ Ball material (4)	MSL rating/ Peak reflow (5)	Op temp (°C)	Part marking (6)
<a href="#">XTR300AIRGWR</a>	Active	Production	VQFN (RGW)   20	3000   LARGE T&R	Yes	NIPDAU	Level-2-260C-1 YEAR	-55 to 125	XTR 300
XTR300AIRGWR.A	Active	Production	VQFN (RGW)   20	3000   LARGE T&R	Yes	NIPDAU	Level-2-260C-1 YEAR	-55 to 125	XTR 300
XTR300AIRGWR.B	Active	Production	VQFN (RGW)   20	3000   LARGE T&R	Yes	NIPDAU	Level-2-260C-1 YEAR	-55 to 125	XTR 300
<a href="#">XTR300AIRGWT</a>	Active	Production	VQFN (RGW)   20	250   SMALL T&R	Yes	NIPDAU	Level-2-260C-1 YEAR	-55 to 125	XTR 300
XTR300AIRGWT.A	Active	Production	VQFN (RGW)   20	250   SMALL T&R	Yes	NIPDAU	Level-2-260C-1 YEAR	-55 to 125	XTR 300
XTR300AIRGWT.B	Active	Production	VQFN (RGW)   20	250   SMALL T&R	Yes	NIPDAU	Level-2-260C-1 YEAR	-55 to 125	XTR 300
XTR300AIRGWTG4	Active	Production	VQFN (RGW)   20	250   SMALL T&R	-	Call TI	Call TI	-55 to 125	

(1) **Status:** For more details on status, see our [product life cycle](#).

(2) **Material type:** When designated, preproduction parts are prototypes/experimental devices, and are not yet approved or released for full production. Testing and final process, including without limitation quality assurance, reliability performance testing, and/or process qualification, may not yet be complete, and this item is subject to further changes or possible discontinuation. If available for ordering, purchases will be subject to an additional waiver at checkout, and are intended for early internal evaluation purposes only. These items are sold without warranties of any kind.

(3) **RoHS values:** Yes, No, RoHS Exempt. See the [TI RoHS Statement](#) for additional information and value definition.

(4) **Lead finish/Ball material:** Parts may have multiple material finish options. Finish options are separated by a vertical ruled line. Lead finish/Ball material values may wrap to two lines if the finish value exceeds the maximum column width.

(5) **MSL rating/Peak reflow:** The moisture sensitivity level ratings and peak solder (reflow) temperatures. In the event that a part has multiple moisture sensitivity ratings, only the lowest level per JEDEC standards is shown. Refer to the shipping label for the actual reflow temperature that will be used to mount the part to the printed circuit board.

(6) **Part marking:** There may be an additional marking, which relates to the logo, the lot trace code information, or the environmental category of the part.

Multiple part markings will be inside parentheses. Only one part marking contained in parentheses and separated by a "~" will appear on a part. If a line is indented then it is a continuation of the previous line and the two combined represent the entire part marking for that device.

**Important Information and Disclaimer:** The information provided on this page represents TI's knowledge and belief as of the date that it is provided. TI bases its knowledge and belief on information provided by third parties, and makes no representation or warranty as to the accuracy of such information. Efforts are underway to better integrate information from third parties. TI has taken and continues to take reasonable steps to provide representative and accurate information but may not have conducted destructive testing or chemical analysis on incoming materials and chemicals. TI and TI suppliers consider certain information to be proprietary, and thus CAS numbers and other limited information may not be available for release.

In no event shall TI's liability arising out of such information exceed the total purchase price of the TI part(s) at issue in this document sold by TI to Customer on an annual basis.



**TAPE AND REEL INFORMATION**

**QUADRANT ASSIGNMENTS FOR PIN 1 ORIENTATION IN TAPE**


\*All dimensions are nominal

Device	Package Type	Package Drawing	Pins	SPQ	Reel Diameter (mm)	Reel Width W1 (mm)	A0 (mm)	B0 (mm)	K0 (mm)	P1 (mm)	W (mm)	Pin1 Quadrant
XTR300AIRGWR	VQFN	RGW	20	3000	330.0	12.4	5.3	5.3	1.5	8.0	12.0	Q2
XTR300AIRGWT	VQFN	RGW	20	250	180.0	12.4	5.3	5.3	1.5	8.0	12.0	Q2

**TAPE AND REEL BOX DIMENSIONS**


\*All dimensions are nominal

Device	Package Type	Package Drawing	Pins	SPQ	Length (mm)	Width (mm)	Height (mm)
XTR300AIRGWR	VQFN	RGW	20	3000	353.0	353.0	32.0
XTR300AIRGWT	VQFN	RGW	20	250	213.0	191.0	35.0

## GENERIC PACKAGE VIEW

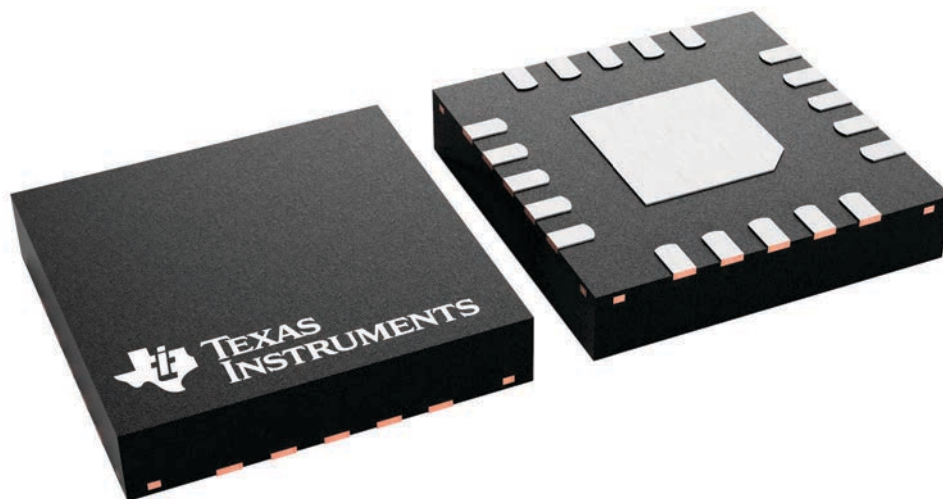
**RGW 20**

**VQFN - 1 mm max height**

5 x 5, 0.65 mm pitch

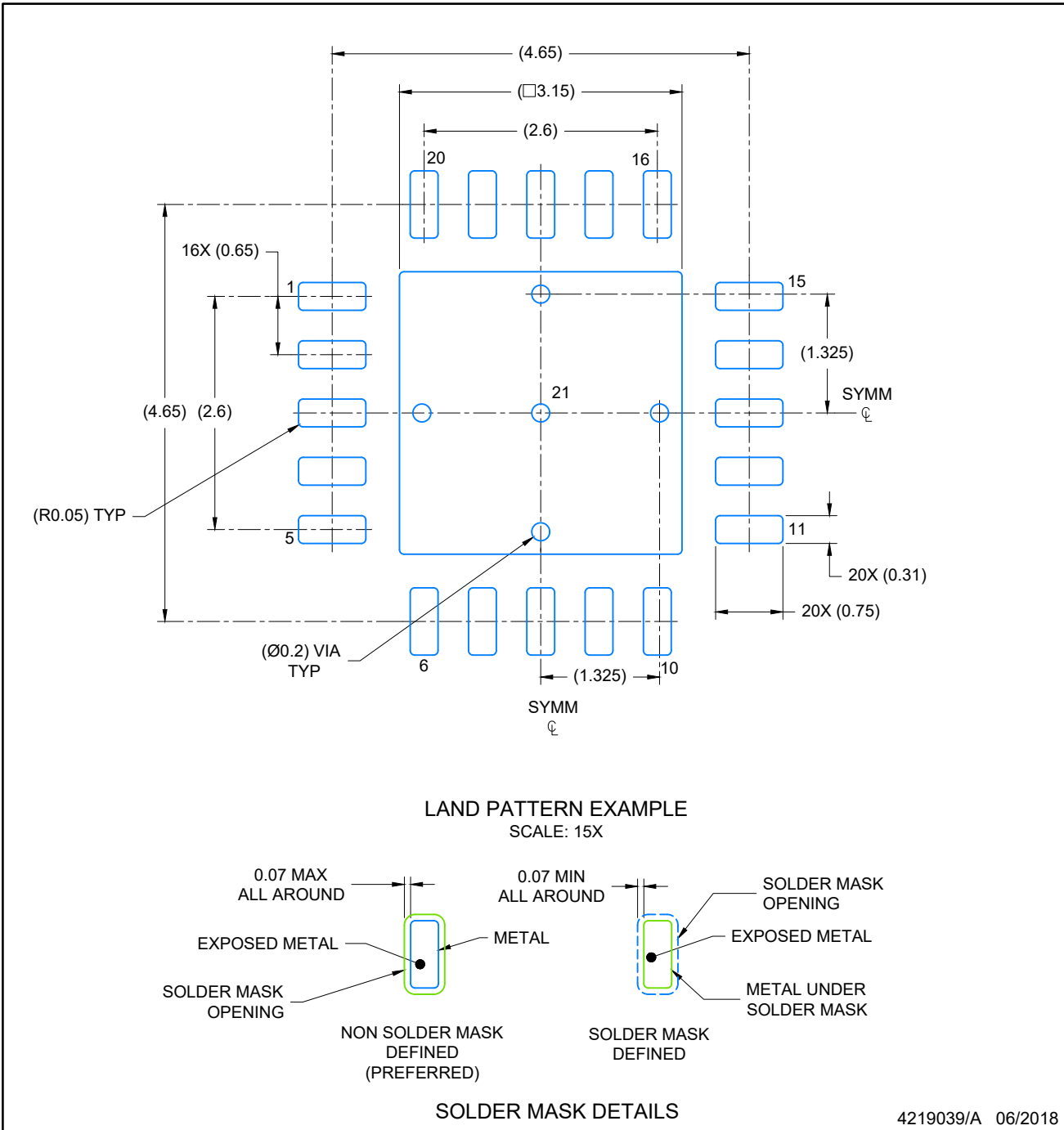
PLASTIC QUAD FLATPACK - NO LEAD

This image is a representation of the package family, actual package may vary.  
Refer to the product data sheet for package details.



4227157/A





NOTES: (continued)

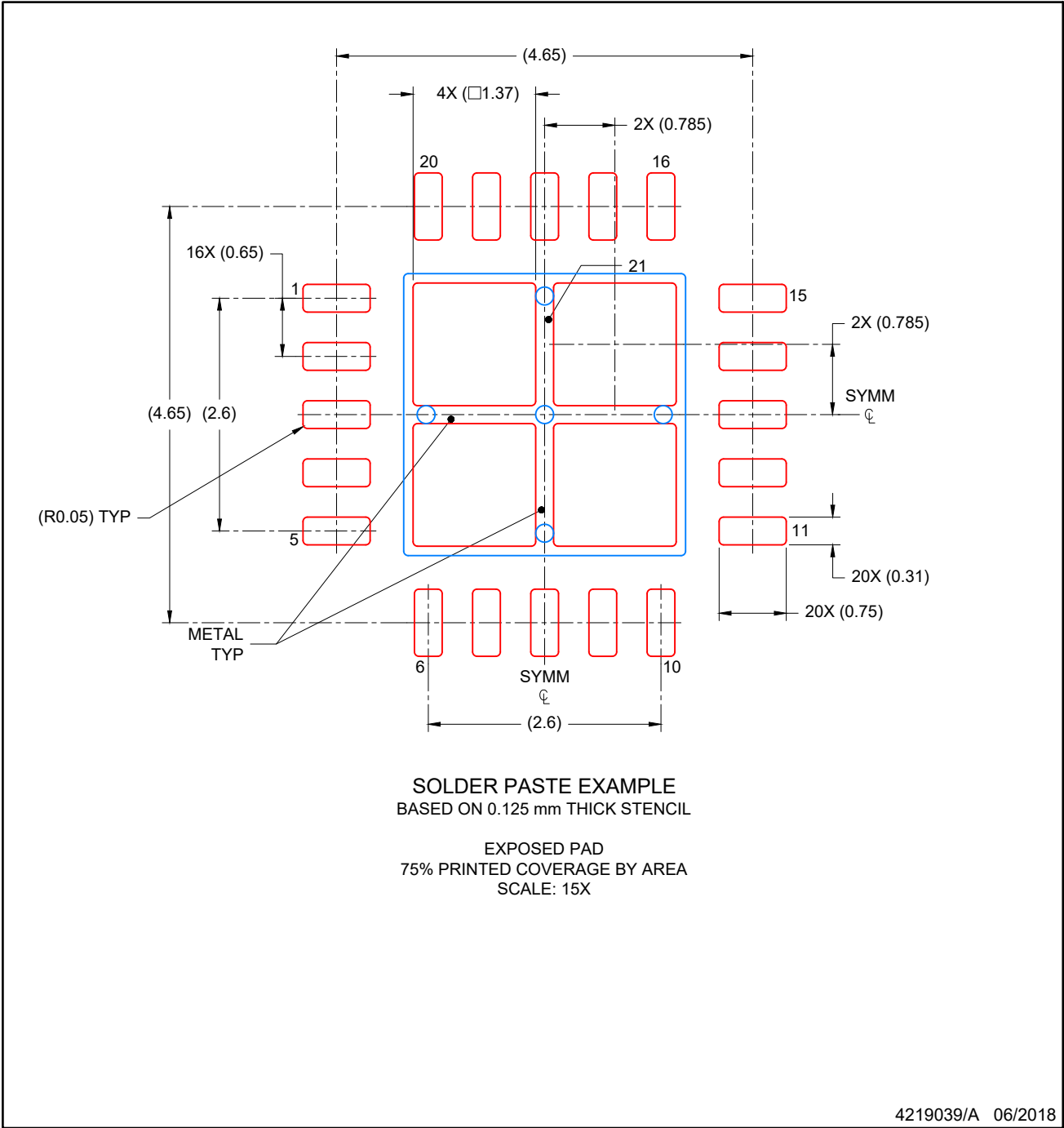
4. This package is designed to be soldered to a thermal pad on the board. For more information, see Texas Instruments literature number SLUA271 ([www.ti.com/lit/sluea271](http://www.ti.com/lit/sluea271)).
5. Vias are optional depending on application, refer to device data sheet. If any vias are implemented, refer to their locations shown on this view. It is recommended that vias under paste be filled, plugged or tented.

# EXAMPLE STENCIL DESIGN

VQFN - 1 mm max height

RGW0020A

PLASTIC QUAD FLATPACK-NO LEAD



NOTES: (continued)

- 6. Laser cutting apertures with trapezoidal walls and rounded corners may offer better paste release. IPC-7525 may have alternate design recommendations.

## IMPORTANT NOTICE AND DISCLAIMER

TI PROVIDES TECHNICAL AND RELIABILITY DATA (INCLUDING DATASHEETS), DESIGN RESOURCES (INCLUDING REFERENCE DESIGNS), APPLICATION OR OTHER DESIGN ADVICE, WEB TOOLS, SAFETY INFORMATION, AND OTHER RESOURCES "AS IS" AND WITH ALL FAULTS, AND DISCLAIMS ALL WARRANTIES, EXPRESS AND IMPLIED, INCLUDING WITHOUT LIMITATION ANY IMPLIED WARRANTIES OF MERCHANTABILITY, FITNESS FOR A PARTICULAR PURPOSE OR NON-INFRINGEMENT OF THIRD PARTY INTELLECTUAL PROPERTY RIGHTS.

These resources are intended for skilled developers designing with TI products. You are solely responsible for (1) selecting the appropriate TI products for your application, (2) designing, validating and testing your application, and (3) ensuring your application meets applicable standards, and any other safety, security, regulatory or other requirements.

These resources are subject to change without notice. TI grants you permission to use these resources only for development of an application that uses the TI products described in the resource. Other reproduction and display of these resources is prohibited. No license is granted to any other TI intellectual property right or to any third party intellectual property right. TI disclaims responsibility for, and you fully indemnify TI and its representatives against any claims, damages, costs, losses, and liabilities arising out of your use of these resources.

TI's products are provided subject to [TI's Terms of Sale](#), [TI's General Quality Guidelines](#), or other applicable terms available either on [ti.com](#) or provided in conjunction with such TI products. TI's provision of these resources does not expand or otherwise alter TI's applicable warranties or warranty disclaimers for TI products. Unless TI explicitly designates a product as custom or customer-specified, TI products are standard, catalog, general purpose devices.

TI objects to and rejects any additional or different terms you may propose.

Copyright © 2025, Texas Instruments Incorporated

Last updated 10/2025