

EVM User's Guide: TPSM8F7420EVM TPSM8F7620EVM

TPSM8F7x20 Quad Step-Down Converter Evaluation Module



Description

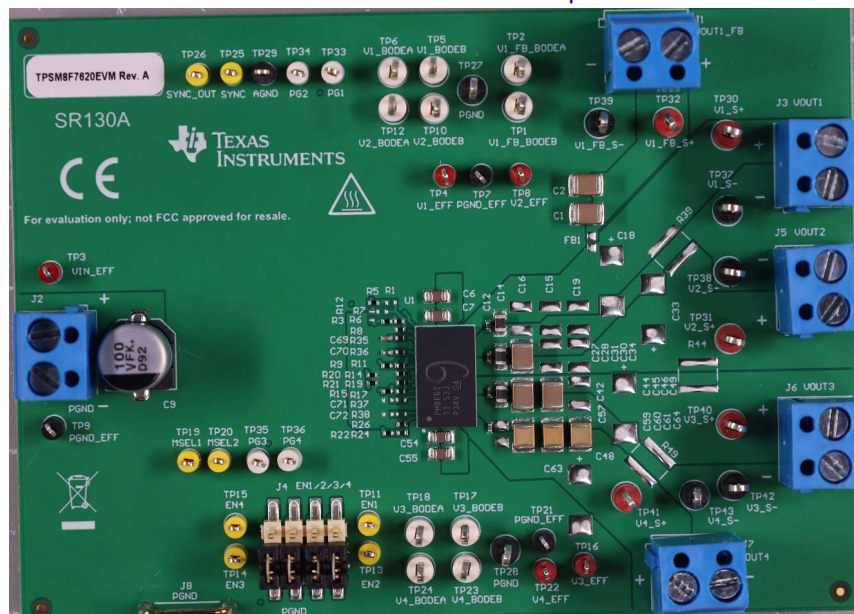
The TPSM8F7x20EVM (SR130) facilitates the evaluation of the TPSM8F7x20 4A and 6A pin-to-pin compatible buck converters in small 7mm by 12mm overmolded BGA package. The SR130-001 uses the 6A TPSM8F7620 to output four voltage rails: 1.2V_{out}, 2.5V_{out}, 3.3V_{out}, and 5V_{out} for input voltage up to 17V. The SR130-005 uses the 4A TPSM8F7420 to output four voltage rails: 1.2V_{out}, 2.5V_{out}, 3.3V_{out}, and 5V_{out} for input voltage up to 17V. The SR130 EVM can be modified to support various multiphase and multioutput configurations.

Features

- Input voltage range: 3V to 17V
- Output voltage range: 0.6V to 11V
- Versatile multiphase (stacking up to 4 × channels) and multioutput configuration
- Supports adjustable frequency from 400kHz to 2.2MHz or external clock
- Selectable internal or external compensation

Applications

- [Test and measurement](#)
- [Aerospace and defense](#)



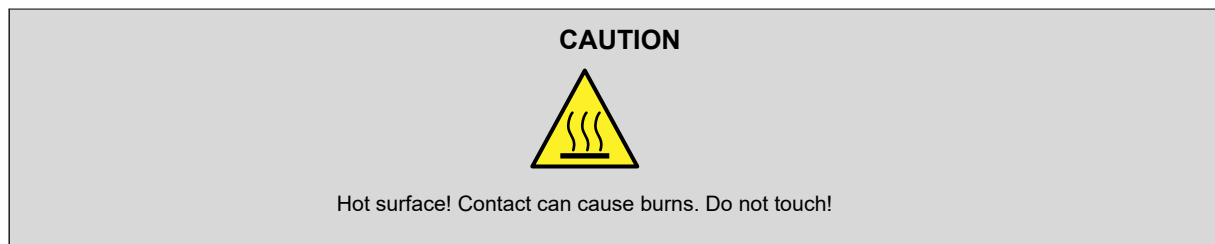
TPSM8F7620EVM

1 Evaluation Module Overview

1.1 Introduction

The TPSM8F7x20 uses fixed frequency peak current mode control to regulate the output voltage and operates between an adjustable 400kHz to 2.2MHz switching frequency.

This user's guide describes the characteristics and operation of the evaluation module TPSM8F7x20EVM. This document provides instructions on how to use the evaluation module. Throughout this document, the terms of evaluation board, evaluation module, and EVM are synonymous with the TPSM8F7x20EVM. This document also includes a schematic, reference printed circuit board (PCB) layout, and a complete bill of materials (BOM).



1.2 Kit Contents

Table 1-1 lists the contents of the EVM kit. Contact the Texas Instruments Product Information Center nearest you if any components are missing. TI highly recommends that users check the [TI website](#) to verify that the latest versions of the related software is being used.

Table 1-1. Kit Contents

Item	Quantity
TPSM8F7x20EVM	1

1.3 Specification

Table 1-2 provides a summary of the TPSM8F7x20EVM performance characteristics.

Table 1-2. Performance Specification

Tested at 25°C ambient temperature

TEST CONDITIONS		MIN	TYP	MAX	UNIT
Input voltage			12		V
Output voltage VOUT1	TPSM8F7x20EVM, $V_{IN} = 12V$		5.0		V
Output voltage VOUT2	TPSM8F7x20EVM, $V_{IN} = 12V$		3.3		V
Output voltage VOUT3	TPSM8F7x20EVM, $V_{IN} = 12V$		2.5		V
Output voltage VOUT3	TPSM8F7x20EVM, $V_{IN} = 12V$		1.2		V
Output current for each output	$V_{IN} = 12V$			6	A

1.4 Device Information

The TPSM8F7x20 is a power-dense, quad-channel buck power module designed to provide efficient and reliable power conversion for a wide output voltage range from 0.6V to 11V. The module integrates MOSFETs, inductor, and select capacitors to reduce board space and layout complexity. The module can be configured into both multiphase and multioutput rails by supporting 2, 3, and 4-phase stackability with interleaved phases. Under steady state conditions, the module operates in FCCM with a fixed-frequency that is resistor adjustable from 400kHz to 2.2MHz and synchronizable to an external clock. The TPSM8F7x20 module employs current mode control with internal and external compensation. Sequencing requirements are easily met with the external soft start, active output discharge, adjustable EN, and power-good features. A full suite of protection features (overvoltage protection (OVP), undervoltage protection (UVP), input undervoltage lockout (UVLO), overtemperature (OT), overcurrent (OC)) are also included for robustness.

2 Hardware

2.1 Setup

This section describes how to properly connect, set up, and use the TPSM8F7x20EVM.

2.1.1 Input and Output Connector Descriptions

Reference Designator	Description
J1-VOUT1_FB	Positive connection for optional secondary stage output voltage
J2-VIN	Positive connection for the input voltage
J3-VOUT1	Positive connection for output voltage VOUT1
J4-EN1/2/3/4	Jumper for selection of EN1, EN2, EN3, and EN4 input voltage to external voltage or input derived voltage
J5-VOUT2	Positive connection for output voltage VOUT2
J6-VOUT3	Positive connection for output voltage VOUT3
J7-VOUT4	Positive connection for output voltage VOUT4
J8-PGND	Ground return connection for power ground
TP1 and TP2, TP5 and TP6, TP10 and TP12, TP17 and TP18, TP23 and TP24	Injection test points for Bode measurement. TP1 and TP2 - optional secondary stage. TP5 and TP6 - VOUT1, TP10 and TP12 - VOUT2, TP17 and TP18 - VOUT3 and TP23 and TP24 - VOUT4.
TP3-VIN_EFF	Test points to measure input voltage for efficiency measurement
TP4, TP8, TP16, TP22	Test points to measure output voltage for efficiency measurement. TP4-VOUT1, TP8-VOUT2, TP16-VOUT3, TP22-VOUT4.
TP7, TP21, TP27, TP28	Test points to measure ground voltage with respect to output for efficiency measurements
TP9	Test points to measure ground voltage with respect to input voltage for efficiency measurements
TP11, TP13, TP14, TP15	Test points to measure EN pin voltage measurement. TP11- EN1, TP13-EN2, TP14-EN3, TP15-EN4.
TP19, TP20	Test points to measure MSEL1 and MSEL2 voltage
TP25, TP29	Test point to inject SYNC external clock signal (TP25) with respect to analog ground (TP29)
TP26	Test point to measure SYNC_OUT clock signal
TP30, TP31, TP32, TP40, TP41	Test points to measure output voltages VOUT1, VOUT2, VOUT3, and VOUT4
TP37, TP38, TP39, TP42, TP43	Test points to measure output voltages with respect to ground return connection
TP33, TP34, TP35, TP36	Test point to measure the PG1, PG2, PG3, and PG4 signals

2.1.2 Modification

The EVM is designed to support some modifications by the user. The external components like input caps, output caps, feedback resistors, and so forth can be changed according to the real application. Follow data sheet guidelines for component design and selection.

The EVM can be configured in various multiphase and multioutput configurations. The default EVM is configured for four outputs. The following is a guide in terms of component connections to be made to configure the EVM in each of the possible configurations.

To configure two outputs with *1-phase configuration and 3-phase configuration*, follow these steps:

1. Depopulate EN3 and EN4 divider network (R16, R18, R23, and R25).
2. Depopulate PG3 and PG4 resistors (R33 and R34).
3. Depopulate SS3 and SS4 caps (C75 and C76).
4. Depopulate COMP3 and COMP4 RC network (R37, C71, R38, C72).
5. Depopulate FB resistor network for VOUT3 and VOUT4 (R15, R17, R19, R22, R24, and R26).
6. Populate zero-ohm resistors in R44, R45, R46, R47, R48, R49, R50, R51, R52, and R53. With this action, VOUT1 is the single output rail and VOUT2 is the 3-phase configuration output rail.

To configure two outputs with *2-phase and 2-phase configuration*, follow these steps:

1. Depopulate EN2 and EN4 divider network (R10, R13, R23, and R25).
2. Depopulate PG2 and PG4 resistors (R32 and R34).
3. Depopulate SS2 and SS4 caps (C74 and C76).
4. Depopulate COMP2 and COMP4 RC network (R36, C70, R38, C72).
5. Depopulate FB resistor network for VOUT2 and VOUT4 (R9, R11, R14, R22, R24, and R26).
6. Populate zero-ohm resistors in R39, R40, R41, R42, R43, R49, R50, R51, R52, and R53. With this action, VOUT1 and VOUT3 are configured in 2-phase configuration output rails.

To configure a single output with *4-phase configuration*, follow these steps:

1. Depopulate EN2, EN3, and EN4 divider network (R10, R13, R16, R18, R23, and R25).
2. Depopulate MSEL2 resistor R21.
3. Depopulate RT2 resistor R28.
4. Depopulate PG2, PG3 and PG4 resistors (R32, R33, and R34).
5. Depopulate SS2, SS3 and SS4 caps (C74, C75, and C76).
6. Depopulate COMP2, COMP3, and COMP4 RC network (R36, C70, R37, C71, R38, and C72).
7. Depopulate FB resistor network for VOUT2, VOUT3 and VOUT4 (R9, R11, R14, R15, R17, R19, R22, R24, and R26).
8. Populate zero-ohm resistors in R39, R40, R41, R42, R43, R44, R45, R46, R47, R48, R49, R50, R51, R52, and R53. With this action, VOUT1 is configured in 4-phase configuration output rail.

2.1.3 Input Capacitor

The ceramic input capacitors provide a low impedance source to the regulator in addition to supplying the ripple current and isolating switching noise from other circuits. A minimum of 10 μ F ceramic capacitance is required at each input and ground pin pair of the TPSM8F7x20. Use 2 \times 10 μ F ceramic capacitance or more for better EMI performance. The input capacitor must be rated for at least the maximum input voltage that the application requires. Having twice the maximum input voltage to reduce DC bias derating is preferable.

2.1.4 Output Capacitor

The output capacitor value and ESR determine the output voltage ripple and load transient performance. The output capacitor is usually limited by the load transient requirements rather than the output voltage ripple. See the [TPSM8F7x20 3V to 17V, 4A, 6A, Quad Step-Down Power Module data sheet](#) for detailed guidelines.

3 Hardware Design Files

3.1 Schematic

The following figures show the EVM schematics.

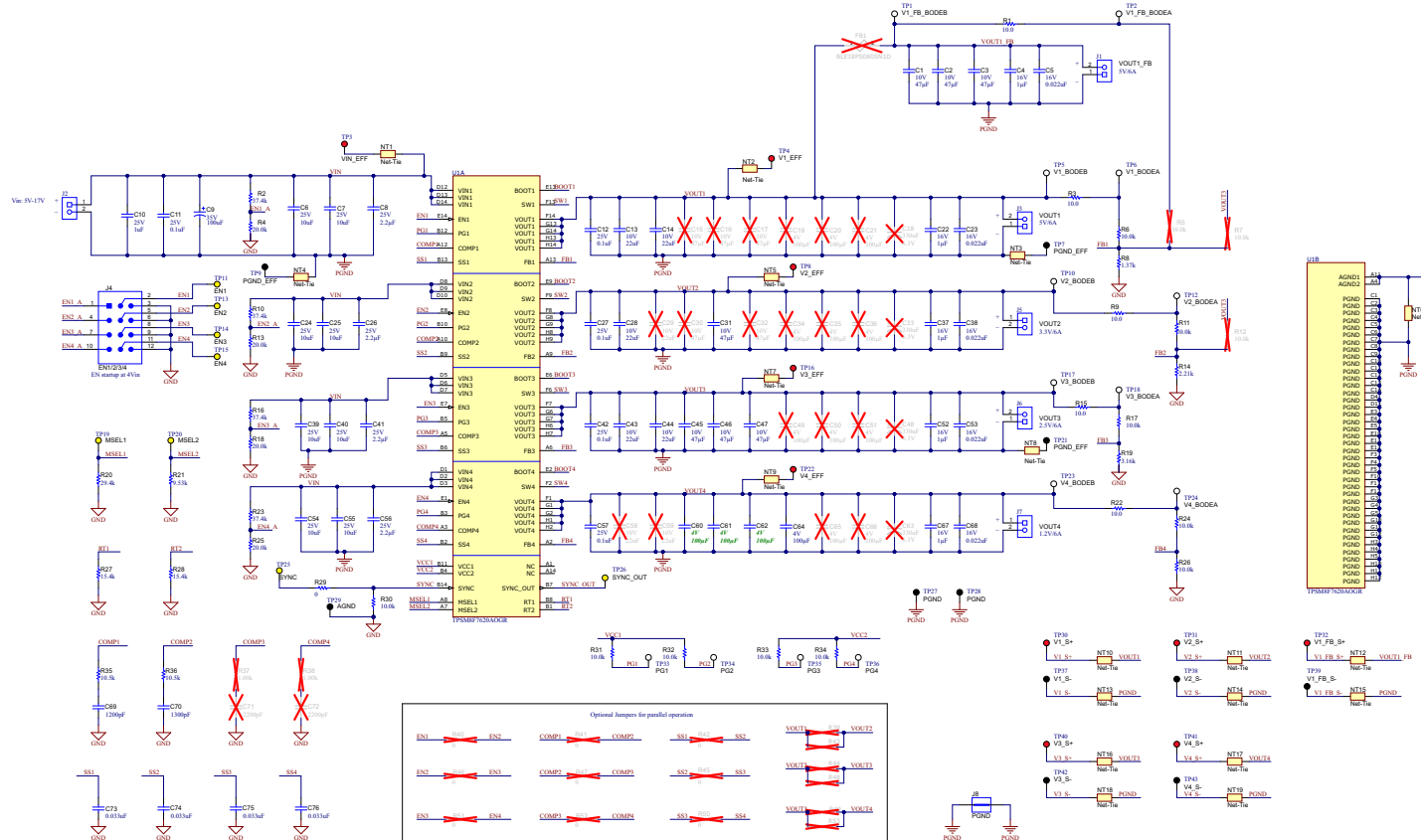


Figure 3-1. TPSM8F7620EVM Schematic

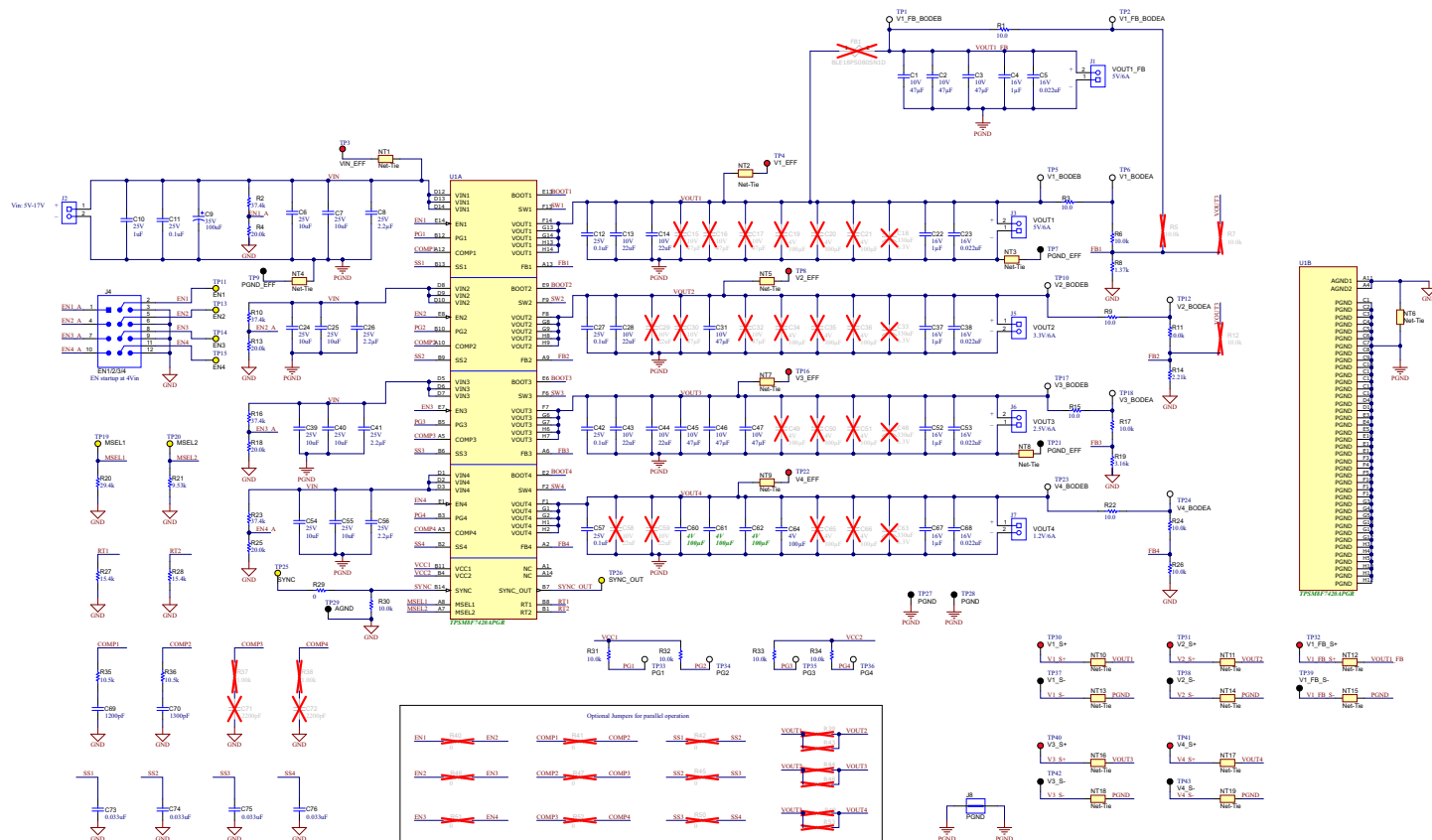


Figure 3-2. TPSM8F7420EVM Schematic

3.2 PCB Layout

The PCB of the TPSM8F7x20EVM has six layers. [Figure 3-3](#) and [Figure 3-4](#) show the top side and bottom side of the PCB layout, respectively. [Figure 3-5](#), [Figure 3-6](#), [Figure 3-7](#), and [Figure 3-8](#) show the inner layer 1 and inner layer 2, inner layer 3, and inner layer 4, respectively.

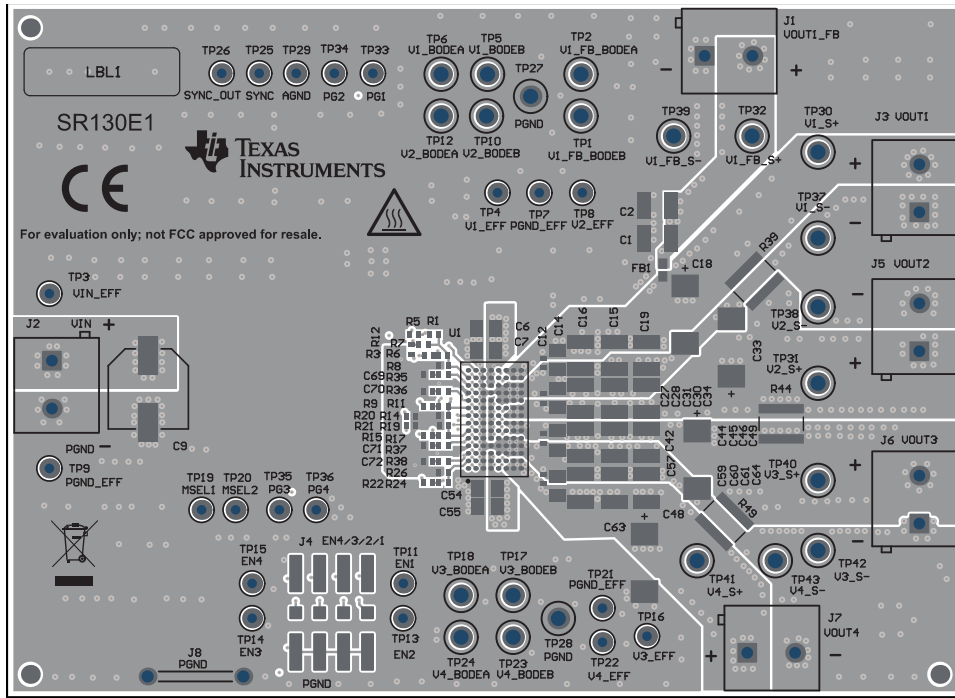


Figure 3-3. Top-Side Composite View

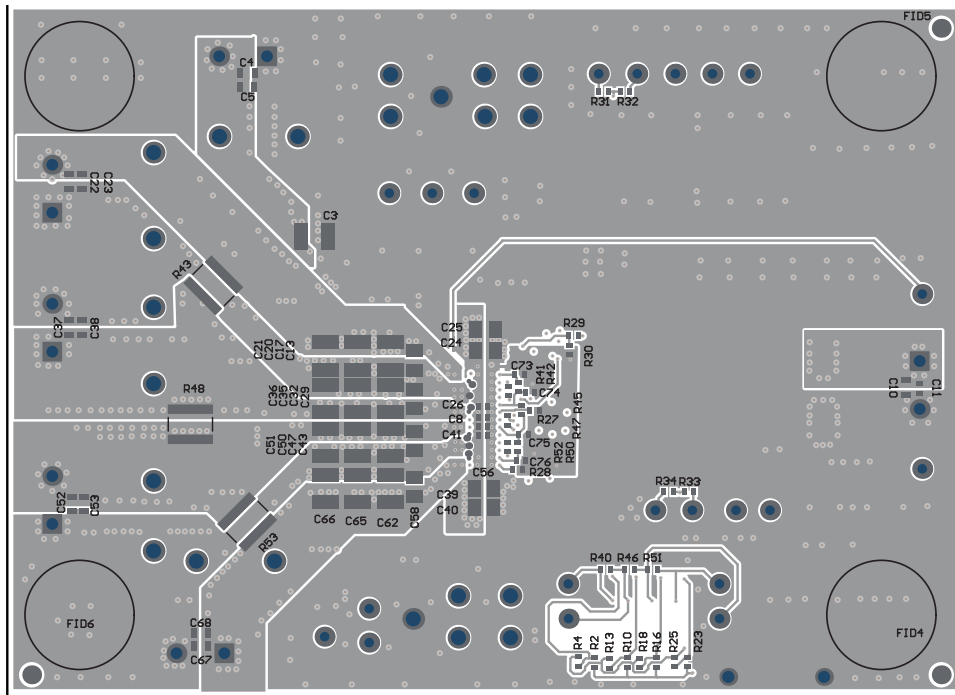


Figure 3-4. Bottom-Side Composite View

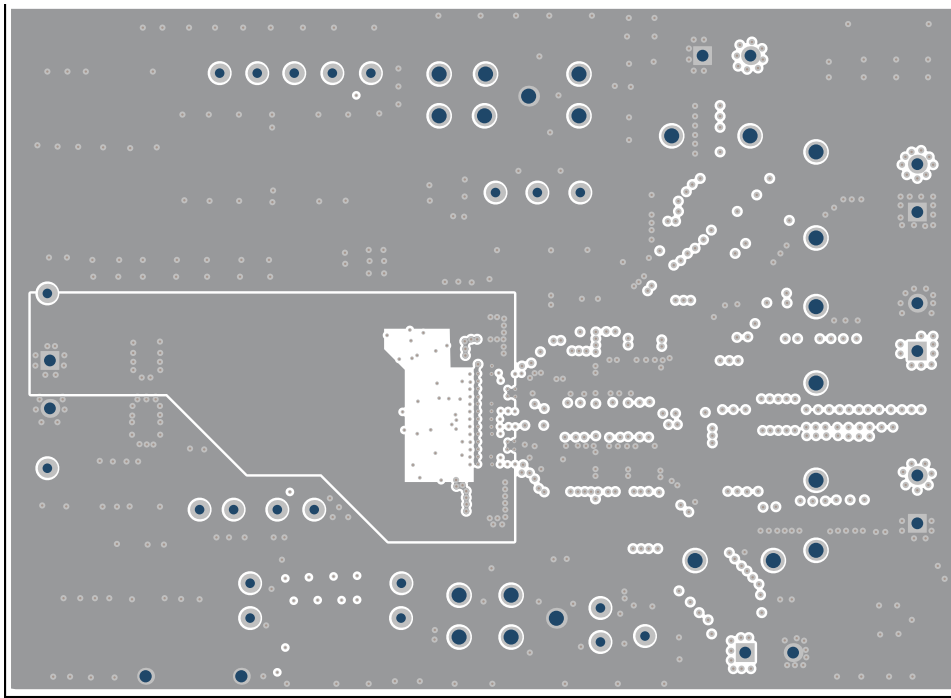


Figure 3-5. Inner Layer 1 Layout

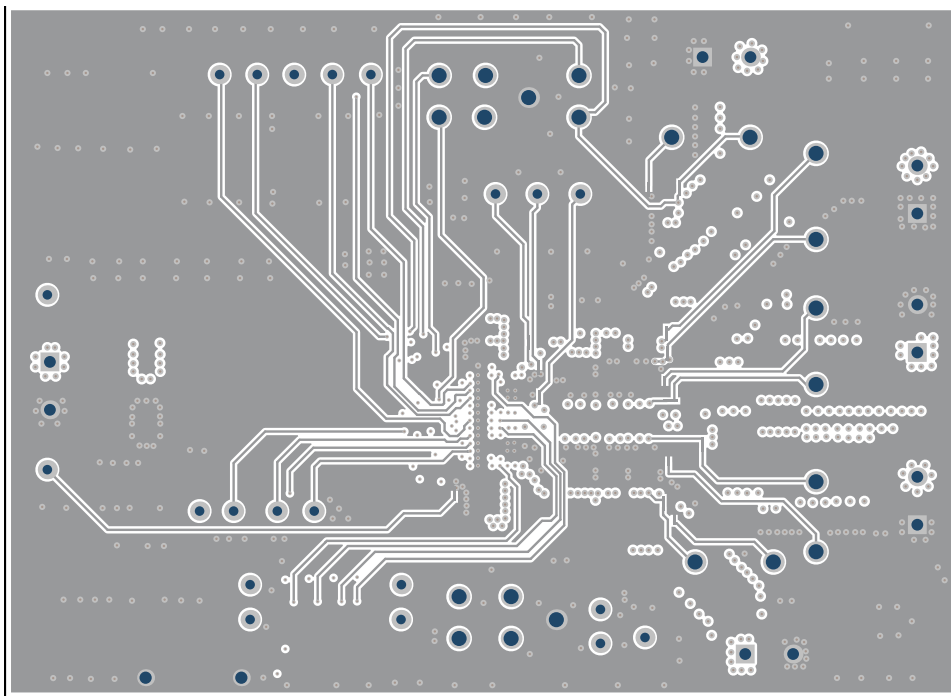


Figure 3-6. Inner Layer 2 Layout

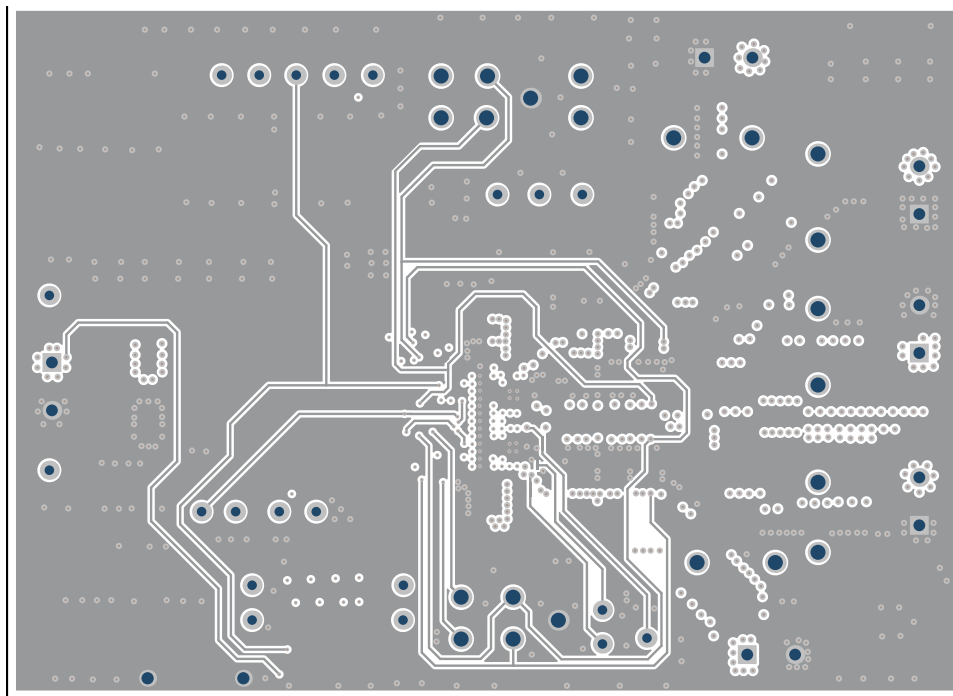


Figure 3-7. Inner Layer 3 Layout

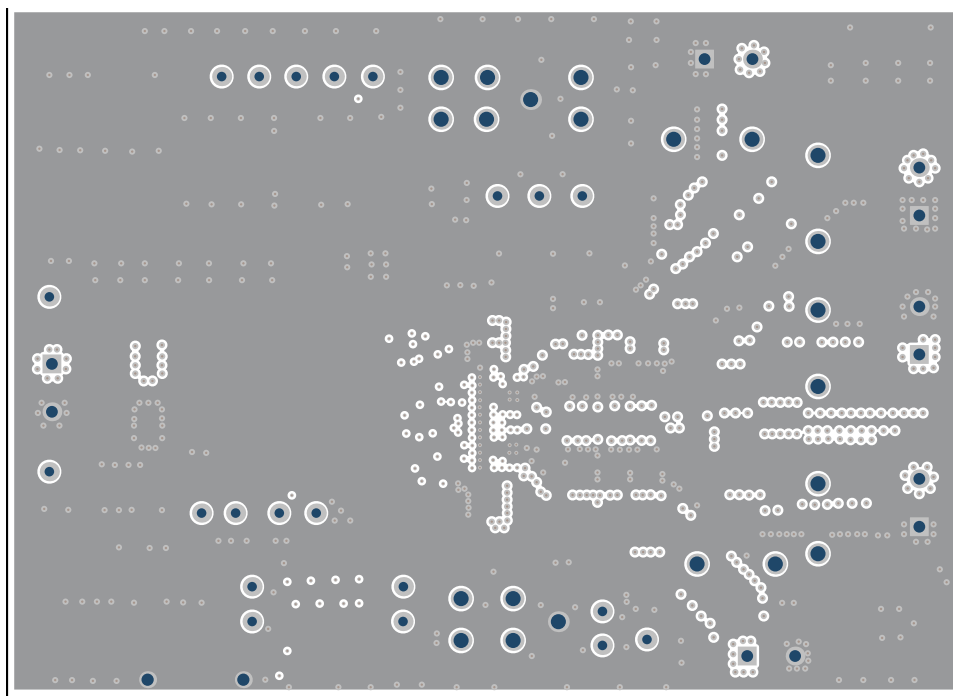


Figure 3-8. Inner Layer 4 Layout

3.3 Bill of Materials

Table 3-1 displays the EVM bill of materials.

Table 3-1. TPSM8F7620EVM Bill of Materials

Designator	Quantity	Value	Description	Package Reference	Part Number	Manufacturer
C1, C2, C3, C31, C45, C46, C47	7	47uF	CAP, CERM, 47µF, 10V,+/- 20%, X7R, 1210	1210	LMK325B7476MM-PR	Taiyo Yuden
C4, C22, C37, C52, C67	5	1uF	CAP, CERM, 1µF, 16V,+/- 10%, X7R, AEC-Q200 Grade 1, 0603	603	CL10B105K08VPNC	Samsung Electro-Mechanics
C5, C23, C38, C53, C68	5	0.022uF	CAP, CERM, 0.022uF, 16V, +/- 10%, X7R, 0603	603	GRM188R71C223KA01D	MuRata
C6, C7, C24, C25, C39, C40, C54, C55	8	10uF	CAP, CERM, 10uF, 25V, +/- 10%, X7S, 0805	805	GRM21BC71E106KE11L	MuRata
C8, C26, C41, C56	4	2.2uF	CAP, CERM, 2.2µF, 25V,+/- 20%, X5R, 0402	402	GRM155R61E225ME15D	MuRata
C9	1	100uF	CAP, AL, 100 uF, 35V, +/- 20%, 0.16ohm, AEC-Q200 Grade 2, SMD	SMT Radial F	EEE-FK1V101P	Panasonic
C10	1	1uF	CAP, CERM, 1uF, 25V, +/- 10%, X7R, 0603	603	C1608X7R1E105K080AB	TDK
C11, C12, C27, C42, C57	5	0.1uF	CAP, CERM, 0.1uF, 25V, +/- 10%, X7R, 0402	402	GRM155R71E104KE14D	MuRata
C13, C14, C28, C43, C44	5	22uF	CAP, CERM, 22uF, 10V, +/- 20%, X7S, 0805	805	C2012X7S1A226M125AC	TDK
C60, C61, C62, C64	4	100uF	CAP, CERM, 100µF, 4V,+/- 20%, X7S, 1210	1210	GRM32EC70G107ME15L	MuRata
C69	1	1200pF	CAP, CERM, 1200pF, 50V, +/- 10%, X7R, 0402	402	GRM155R71H122KA01D	MuRata
C70	1	1300pF	CAP, CERM, 1300pF, 16V, +/- 10%, X7R, 0402	402	0402YC132KAT2A	AVX
C73, C74, C75, C76	4	0.033uF	CAP, CERM, 0.033uF, 10V, +/- 10%, X7R, 0402	402	GRM155R71A333KA01D	MuRata
H1, H2, H3, H4	4		Bumpon, Hemisphere, 0.44 X 0.20, Clear	Transparent Bumpon	SJ-5303 (CLEAR)	3M
J1, J2, J3, J5, J6, J7	6		Terminal Block, 5.08mm, 2x1, Brass, TH	2x1 5.08mm Terminal Block	ED120/2DS	On-Shore Technology
J4	1		Header, 2.54mm, 4x3, Gold with Tin tail, SMT	Header, 2.54mm, 4x3, SMT	TSM-104-01-L-TV	Samtec
J8	1		1mm Uninsulated Shorting Plug, 10.16mm spacing, TH	Shorting Plug, 10.16mm spacing, TH	D3082-05	Harwin
LBL1	1		Thermal Transfer Printable Labels, 0.650" W x 0.200" H - 10,000 per roll	PCB Label 0.650 x 0.200 inch	THT-14-423-10	Brady
R1, R3, R9, R15, R22	5	10	RES, 10.0, 1%, 0.063 W, AEC-Q200 Grade 0, 0402	402	CRCW040210R0FKED	Vishay-Dale
R2, R10, R16, R23	4	37.4k	RES, 37.4 k, 1%, 0.063 W, AEC-Q200 Grade 0, 0402	402	CRCW040237K4FKED	Vishay-Dale
R4, R13, R18, R25	4	20.0k	RES, 20.0 k, 1%, 0.063 W, AEC-Q200 Grade 0, 0402	402	CRCW040220K0FKED	Vishay-Dale
R6, R11, R17, R24, R26, R30, R31, R32, R33, R34	10	10.0k	RES, 10.0 k, 1%, 0.063 W, AEC-Q200 Grade 0, 0402	402	CRCW040210K0FKED	Vishay-Dale
R8	1	1.37k	RES, 1.37 k, 1%, 0.063 W, AEC-Q200 Grade 0, 0402	402	CRCW04021K37FKED	Vishay-Dale
R14	1	2.21k	RES, 2.21 k, 1%, 0.063 W, AEC-Q200 Grade 0, 0402	402	CRCW04022K21FKED	Vishay-Dale
R19	1	3.16k	RES, 3.16 k, 1%, 0.063 W, AEC-Q200 Grade 0, 0402	402	CRCW04023K16FKED	Vishay-Dale
R20	1	29.4k	RES, 29.4 k, 1%, 0.063 W, AEC-Q200 Grade 0, 0402	402	CRCW040229K4FKED	Vishay-Dale

Table 3-1. TPSM8F7620EVM Bill of Materials (continued)

Designator	Quantity	Value	Description	Package Reference	Part Number	Manufacturer
R21	1	9.53k	RES, 9.53 k, 1%, 0.063 W, AEC-Q200 Grade 0, 0402	402	CRCW04029K53FKED	Vishay-Dale
R27, R28	2	15.4k	RES, 15.4 k, 1%, 0.063 W, AEC-Q200 Grade 0, 0402	402	CRCW040215K4FKED	Vishay-Dale
R29	1	0	RES, 0, 5%, 0.063 W, AEC-Q200 Grade 0, 0402	402	CRCW04020000Z0ED	Vishay-Dale
R35, R36	2	10.5k	RES, 10.5 k, 1%, 0.063 W, AEC-Q200 Grade 0, 0402	402	CRCW040210K5FKED	Vishay-Dale
TP1, TP2, TP5, TP6, TP10, TP12, TP17, TP18, TP23, TP24	10		Test Point, Multipurpose, White, TH	White Multipurpose Testpoint	5012	Keystone Electronics
TP3, TP4, TP8, TP16, TP22	5		Test Point, Miniature, Red, TH	Red Miniature Testpoint	5000	Keystone Electronics
TP7, TP9, TP21, TP29	4		Test Point, Miniature, Black, TH	Black Miniature Testpoint	5001	Keystone Electronics
TP11, TP13, TP14, TP15, TP19, TP20, TP25, TP26	8		Test Point, Miniature, Yellow, TH	Yellow Miniature Testpoint	5004	Keystone Electronics
TP27, TP28, TP37, TP38, TP39, TP42, TP43	7		Test Point, Multipurpose, Black, TH	Black Multipurpose Testpoint	5011	Keystone Electronics
TP30, TP31, TP32, TP40, TP41	5		Test Point, Multipurpose, Red, TH	Red Multipurpose Testpoint	5010	Keystone Electronics
TP33, TP34, TP35, TP36	4		Test Point, Miniature, White, TH	White Miniature Testpoint	5002	Keystone Electronics
U1	1		TPSM8F7620APGR	FCCSP112	TPSM8F7620AAGR	Texas Instruments

Table 3-2. TPSM8F7420EVM Bill of Materials

Designator	Quantity	Value	Description	Package Reference	Part Number	Manufacturer
!PCB1	1		Printed Circuit Board		SR130	Any
C1, C2, C3, C31, C45, C46, C47	7	47uF	CAP, CERM, 47µF, 10V,+/- 20%, X7R, 1210	1210	LMK325B7476MM-PR	Taiyo Yuden
C4, C22, C37, C52, C67	5	1uF	CAP, CERM, 1µF, 16V,+/- 10%, X7R, AEC-Q200 Grade 1, 0603	603	CL10B105K08VPNC	Samsung Electro-Mechanics
C5, C23, C38, C53, C68	5	0.022uF	CAP, CERM, 0.022uF, 16V, +/- 10%, X7R, 0603	603	GRM188R71C223KA01D	MuRata
C6, C7, C24, C25, C39, C40, C54, C55	8	10uF	CAP, CERM, 10uF, 25V, +/- 10%, X7S, 0805	805	GRM21BC71E106KE11L	MuRata
C8, C26, C41, C56	4	2.2uF	CAP, CERM, 2.2µF, 25V,+/- 20%, X5R, 0402	402	GRM155R61E225ME15D	MuRata
C9	1	100uF	CAP, AL, 100uF, 35V, +/- 20%, 0.16 ohm, AEC-Q200 Grade 2, SMD	SMT Radial F	EEE-FK1V101P	Panasonic
C10	1	1uF	CAP, CERM, 1uF, 25V, +/- 10%, X7R, 0603	603	C1608X7R1E105K080AB	TDK
C11, C12, C27, C42, C57	5	0.1uF	CAP, CERM, 0.1uF, 25V, +/- 10%, X7R, 0402	402	GRM155R71E104KE14D	MuRata
C13, C14, C28, C43, C44	5	22uF	CAP, CERM, 22uF, 10V, +/- 20%, X7S, 0805	805	C2012X7S1A226M125AC	TDK
C60, C61, C62, C64	4	100uF	CAP, CERM, 100µF, 4V,+/- 20%, X7S, 1210	1210	GRM32EC70G107ME15L	MuRata
C69	1	1200pF	CAP, CERM, 1200pF, 50V, +/- 10%, X7R, 0402	402	GRM155R71H122KA01D	MuRata
C70	1	1300pF	CAP, CERM, 1300pF, 16V, +/- 10%, X7R, 0402	402	0402YC132KAT2A	AVX
C73, C74, C75, C76	4	0.033uF	CAP, CERM, 0.033uF, 10V, +/- 10%, X7R, 0402	402	GRM155R71A333KA01D	MuRata
H1, H2, H3, H4	4		Bumpon, Hemisphere, 0.44 X 0.20, Clear	Transparent Bumpon	SJ-5303 (CLEAR)	3M
J1, J2, J3, J5, J6, J7	6		Terminal Block, 5.08mm, 2x1, Brass, TH	2x1 5.08mm Terminal Block	ED120/2DS	On-Shore Technology
J4	1		Header, 2.54mm, 4x3, Gold with Tin tail, SMT	Header, 2.54mm, 4x3, SMT	TSM-104-01-L-TV	Samtec
J8	1		1mm Uninsulated Shorting Plug, 10.16mm spacing, TH	Shorting Plug, 10.16mm spacing, TH	D3082-05	Harwin
LBL1	1		Thermal Transfer Printable Labels, 0.650" W x 0.200" H - 10,000 per roll	PCB Label 0.650 x 0.200 inch	THT-14-423-10	Brady
R1, R3, R9, R15, R22	5	10	RES, 10.0, 1%, 0.063 W, AEC-Q200 Grade 0, 0402	402	CRCW040210R0FKED	Vishay-Dale
R2, R10, R16, R23	4	37.4k	RES, 37.4 k, 1%, 0.063 W, AEC-Q200 Grade 0, 0402	402	CRCW040237K4FKED	Vishay-Dale
R4, R13, R18, R25	4	20.0k	RES, 20.0 k, 1%, 0.063 W, AEC-Q200 Grade 0, 0402	402	CRCW040220K0FKED	Vishay-Dale
R6, R11, R17, R24, R26, R30, R31, R32, R33, R34	10	10.0k	RES, 10.0 k, 1%, 0.063 W, AEC-Q200 Grade 0, 0402	402	CRCW040210K0FKED	Vishay-Dale
R8	1	1.37k	RES, 1.37 k, 1%, 0.063 W, AEC-Q200 Grade 0, 0402	402	CRCW04021K37FKED	Vishay-Dale
R14	1	2.21k	RES, 2.21 k, 1%, 0.063 W, AEC-Q200 Grade 0, 0402	402	CRCW04022K21FKED	Vishay-Dale
R19	1	3.16k	RES, 3.16 k, 1%, 0.063 W, AEC-Q200 Grade 0, 0402	402	CRCW04023K16FKED	Vishay-Dale
R20	1	29.4k	RES, 29.4 k, 1%, 0.063 W, AEC-Q200 Grade 0, 0402	402	CRCW040229K4FKED	Vishay-Dale
R21	1	9.53k	RES, 9.53 k, 1%, 0.063 W, AEC-Q200 Grade 0, 0402	402	CRCW04029K53FKED	Vishay-Dale
R27, R28	2	15.4k	RES, 15.4 k, 1%, 0.063 W, AEC-Q200 Grade 0, 0402	402	CRCW040215K4FKED	Vishay-Dale

Table 3-2. TPSM8F7420EVM Bill of Materials (continued)

Designator	Quantity	Value	Description	Package Reference	Part Number	Manufacturer
R29	1	0	RES, 0, 5%, 0.063 W, AEC-Q200 Grade 0, 0402	402	CRCW04020000Z0ED	Vishay-Dale
R35, R36	2	10.5k	RES, 10.5 k, 1%, 0.063 W, AEC-Q200 Grade 0, 0402	402	CRCW040210K5FKED	Vishay-Dale
TP1, TP2, TP5, TP6, TP10, TP12, TP17, TP18, TP23, TP24	10		Test Point, Multipurpose, White, TH	White Multipurpose Testpoint	5012	Keystone Electronics
TP3, TP4, TP8, TP16, TP22	5		Test Point, Miniature, Red, TH	Red Miniature Testpoint	5000	Keystone Electronics
TP7, TP9, TP21, TP29	4		Test Point, Miniature, Black, TH	Black Miniature Testpoint	5001	Keystone Electronics
TP11, TP13, TP14, TP15, TP19, TP20, TP25, TP26	8		Test Point, Miniature, Yellow, TH	Yellow Miniature Testpoint	5004	Keystone Electronics
TP27, TP28, TP37, TP38, TP39, TP42, TP43	7		Test Point, Multipurpose, Black, TH	Black Multipurpose Testpoint	5011	Keystone Electronics
TP30, TP31, TP32, TP40, TP41	5		Test Point, Multipurpose, Red, TH	Red Multipurpose Testpoint	5010	Keystone Electronics
TP33, TP34, TP35, TP36	4		Test Point, Miniature, White, TH	White Miniature Testpoint	5002	Keystone Electronics
U1	1		TPSM8F7420APGR	FCCSP112	TPSM8F7420APGR	Texas Instruments

4 Additional Information

4.1 Trademarks

All trademarks are the property of their respective owners.

STANDARD TERMS FOR EVALUATION MODULES

1. *Delivery:* TI delivers TI evaluation boards, kits, or modules, including any accompanying demonstration software, components, and/or documentation which may be provided together or separately (collectively, an "EVM" or "EVMs") to the User ("User") in accordance with the terms set forth herein. User's acceptance of the EVM is expressly subject to the following terms.
 - 1.1 EVMs are intended solely for product or software developers for use in a research and development setting to facilitate feasibility evaluation, experimentation, or scientific analysis of TI semiconductors products. EVMs have no direct function and are not finished products. EVMs shall not be directly or indirectly assembled as a part or subassembly in any finished product. For clarification, any software or software tools provided with the EVM ("Software") shall not be subject to the terms and conditions set forth herein but rather shall be subject to the applicable terms that accompany such Software
 - 1.2 EVMs are not intended for consumer or household use. EVMs may not be sold, sublicensed, leased, rented, loaned, assigned, or otherwise distributed for commercial purposes by Users, in whole or in part, or used in any finished product or production system.
2. *Limited Warranty and Related Remedies/Disclaimers:*
 - 2.1 These terms do not apply to Software. The warranty, if any, for Software is covered in the applicable Software License Agreement.
 - 2.2 TI warrants that the TI EVM will conform to TI's published specifications for ninety (90) days after the date TI delivers such EVM to User. Notwithstanding the foregoing, TI shall not be liable for a nonconforming EVM if (a) the nonconformity was caused by neglect, misuse or mistreatment by an entity other than TI, including improper installation or testing, or for any EVMs that have been altered or modified in any way by an entity other than TI, (b) the nonconformity resulted from User's design, specifications or instructions for such EVMs or improper system design, or (c) User has not paid on time. Testing and other quality control techniques are used to the extent TI deems necessary. TI does not test all parameters of each EVM. User's claims against TI under this Section 2 are void if User fails to notify TI of any apparent defects in the EVMs within ten (10) business days after delivery, or of any hidden defects with ten (10) business days after the defect has been detected.
 - 2.3 TI's sole liability shall be at its option to repair or replace EVMs that fail to conform to the warranty set forth above, or credit User's account for such EVM. TI's liability under this warranty shall be limited to EVMs that are returned during the warranty period to the address designated by TI and that are determined by TI not to conform to such warranty. If TI elects to repair or replace such EVM, TI shall have a reasonable time to repair such EVM or provide replacements. Repaired EVMs shall be warranted for the remainder of the original warranty period. Replaced EVMs shall be warranted for a new full ninety (90) day warranty period.

WARNING

Evaluation Kits are intended solely for use by technically qualified, professional electronics experts who are familiar with the dangers and application risks associated with handling electrical mechanical components, systems, and subsystems.

User shall operate the Evaluation Kit within TI's recommended guidelines and any applicable legal or environmental requirements as well as reasonable and customary safeguards. Failure to set up and/or operate the Evaluation Kit within TI's recommended guidelines may result in personal injury or death or property damage. Proper set up entails following TI's instructions for electrical ratings of interface circuits such as input, output and electrical loads.

NOTE:

EXPOSURE TO ELECTROSTATIC DISCHARGE (ESD) MAY CAUSE DEGRADATION OR FAILURE OF THE EVALUATION KIT; TI RECOMMENDS STORAGE OF THE EVALUATION KIT IN A PROTECTIVE ESD BAG.

3 Regulatory Notices:

3.1 United States

3.1.1 Notice applicable to EVMs not FCC-Approved:

FCC NOTICE: This kit is designed to allow product developers to evaluate electronic components, circuitry, or software associated with the kit to determine whether to incorporate such items in a finished product and software developers to write software applications for use with the end product. This kit is not a finished product and when assembled may not be resold or otherwise marketed unless all required FCC equipment authorizations are first obtained. Operation is subject to the condition that this product not cause harmful interference to licensed radio stations and that this product accept harmful interference. Unless the assembled kit is designed to operate under part 15, part 18 or part 95 of this chapter, the operator of the kit must operate under the authority of an FCC license holder or must secure an experimental authorization under part 5 of this chapter.

3.1.2 For EVMs annotated as FCC – FEDERAL COMMUNICATIONS COMMISSION Part 15 Compliant:

CAUTION

This device complies with part 15 of the FCC Rules. Operation is subject to the following two conditions: (1) This device may not cause harmful interference, and (2) this device must accept any interference received, including interference that may cause undesired operation.

Changes or modifications not expressly approved by the party responsible for compliance could void the user's authority to operate the equipment.

FCC Interference Statement for Class A EVM devices

NOTE: This equipment has been tested and found to comply with the limits for a Class A digital device, pursuant to part 15 of the FCC Rules. These limits are designed to provide reasonable protection against harmful interference when the equipment is operated in a commercial environment. This equipment generates, uses, and can radiate radio frequency energy and, if not installed and used in accordance with the instruction manual, may cause harmful interference to radio communications. Operation of this equipment in a residential area is likely to cause harmful interference in which case the user will be required to correct the interference at his own expense.

FCC Interference Statement for Class B EVM devices

NOTE: This equipment has been tested and found to comply with the limits for a Class B digital device, pursuant to part 15 of the FCC Rules. These limits are designed to provide reasonable protection against harmful interference in a residential installation. This equipment generates, uses and can radiate radio frequency energy and, if not installed and used in accordance with the instructions, may cause harmful interference to radio communications. However, there is no guarantee that interference will not occur in a particular installation. If this equipment does cause harmful interference to radio or television reception, which can be determined by turning the equipment off and on, the user is encouraged to try to correct the interference by one or more of the following measures:

- Reorient or relocate the receiving antenna.
- Increase the separation between the equipment and receiver.
- Connect the equipment into an outlet on a circuit different from that to which the receiver is connected.
- Consult the dealer or an experienced radio/TV technician for help.

3.2 Canada

3.2.1 For EVMs issued with an Industry Canada Certificate of Conformance to RSS-210 or RSS-247

Concerning EVMs Including Radio Transmitters:

This device complies with Industry Canada license-exempt RSSs. Operation is subject to the following two conditions:

(1) this device may not cause interference, and (2) this device must accept any interference, including interference that may cause undesired operation of the device.

Concernant les EVMs avec appareils radio:

Le présent appareil est conforme aux CNR d'Industrie Canada applicables aux appareils radio exempts de licence. L'exploitation est autorisée aux deux conditions suivantes: (1) l'appareil ne doit pas produire de brouillage, et (2) l'utilisateur de l'appareil doit accepter tout brouillage radioélectrique subi, même si le brouillage est susceptible d'en compromettre le fonctionnement.

Concerning EVMs Including Detachable Antennas:

Under Industry Canada regulations, this radio transmitter may only operate using an antenna of a type and maximum (or lesser) gain approved for the transmitter by Industry Canada. To reduce potential radio interference to other users, the antenna type and its gain should be so chosen that the equivalent isotropically radiated power (e.i.r.p.) is not more than that necessary for successful communication. This radio transmitter has been approved by Industry Canada to operate with the antenna types listed in the user guide with the maximum permissible gain and required antenna impedance for each antenna type indicated. Antenna types not included in this list, having a gain greater than the maximum gain indicated for that type, are strictly prohibited for use with this device.

Concernant les EVMs avec antennes détachables

Conformément à la réglementation d'Industrie Canada, le présent émetteur radio peut fonctionner avec une antenne d'un type et d'un gain maximal (ou inférieur) approuvé pour l'émetteur par Industrie Canada. Dans le but de réduire les risques de brouillage radioélectrique à l'intention des autres utilisateurs, il faut choisir le type d'antenne et son gain de sorte que la puissance isotrope rayonnée équivalente (p.i.r.e.) ne dépasse pas l'intensité nécessaire à l'établissement d'une communication satisfaisante. Le présent émetteur radio a été approuvé par Industrie Canada pour fonctionner avec les types d'antenne énumérés dans le manuel d'usage et ayant un gain admissible maximal et l'impédance requise pour chaque type d'antenne. Les types d'antenne non inclus dans cette liste, ou dont le gain est supérieur au gain maximal indiqué, sont strictement interdits pour l'exploitation de l'émetteur.

3.3 Japan

3.3.1 *Notice for EVMs delivered in Japan:* Please see http://www.tij.co.jp/lstds/ti_ja/general/eStore/notice_01.page 日本国内に輸入される評価用キット、ボードについては、次のところをご覧ください。

<https://www.ti.com/ja-jp/legal/notice-for-evaluation-kits-delivered-in-japan.html>

3.3.2 *Notice for Users of EVMs Considered "Radio Frequency Products" in Japan:* EVMs entering Japan may not be certified by TI as conforming to Technical Regulations of Radio Law of Japan.

If User uses EVMs in Japan, not certified to Technical Regulations of Radio Law of Japan, User is required to follow the instructions set forth by Radio Law of Japan, which includes, but is not limited to, the instructions below with respect to EVMs (which for the avoidance of doubt are stated strictly for convenience and should be verified by User):

1. Use EVMs in a shielded room or any other test facility as defined in the notification #173 issued by Ministry of Internal Affairs and Communications on March 28, 2006, based on Sub-section 1.1 of Article 6 of the Ministry's Rule for Enforcement of Radio Law of Japan,
2. Use EVMs only after User obtains the license of Test Radio Station as provided in Radio Law of Japan with respect to EVMs, or
3. Use of EVMs only after User obtains the Technical Regulations Conformity Certification as provided in Radio Law of Japan with respect to EVMs. Also, do not transfer EVMs, unless User gives the same notice above to the transferee. Please note that if User does not follow the instructions above, User will be subject to penalties of Radio Law of Japan.

【無線電波を送信する製品の開発キットをお使いになる際の注意事項】 開発キットの中には技術基準適合証明を受けていないものがあります。技術適合証明を受けていないものご使用に際しては、電波法遵守のため、以下のいずれかの措置を取っていただく必要がありますのでご注意ください。

1. 電波法施行規則第6条第1項第1号に基づく平成18年3月28日総務省告示第173号で定められた電波暗室等の試験設備でご使用いただく。
2. 実験局の免許を取得後ご使用いただく。
3. 技術基準適合証明を取得後ご使用いただく。

なお、本製品は、上記の「ご使用にあたっての注意」を譲渡先、移転先に通知しない限り、譲渡、移転できないものとします。

上記を遵守頂けない場合は、電波法の罰則が適用される可能性があることをご留意ください。日本テキサス・イ

ンスツルメンツ株式会社

東京都新宿区西新宿 6 丁目 2 4 番 1 号

西新宿三井ビル

3.3.3 *Notice for EVMs for Power Line Communication:* Please see http://www.tij.co.jp/lstds/ti_ja/general/eStore/notice_02.page

電力線搬送波通信についての開発キットをお使いになる際の注意事項については、次のところをご覧ください。 <https://www.ti.com/ja-jp/legal/notice-for-evaluation-kits-for-power-line-communication.html>

3.4 European Union

3.4.1 *For EVMs subject to EU Directive 2014/30/EU (Electromagnetic Compatibility Directive):*

This is a class A product intended for use in environments other than domestic environments that are connected to a low-voltage power-supply network that supplies buildings used for domestic purposes. In a domestic environment this product may cause radio interference in which case the user may be required to take adequate measures.

-
- 4 *EVM Use Restrictions and Warnings:*
 - 4.1 EVMS ARE NOT FOR USE IN FUNCTIONAL SAFETY AND/OR SAFETY CRITICAL EVALUATIONS, INCLUDING BUT NOT LIMITED TO EVALUATIONS OF LIFE SUPPORT APPLICATIONS.
 - 4.2 User must read and apply the user guide and other available documentation provided by TI regarding the EVM prior to handling or using the EVM, including without limitation any warning or restriction notices. The notices contain important safety information related to, for example, temperatures and voltages.
 - 4.3 *Safety-Related Warnings and Restrictions:*
 - 4.3.1 User shall operate the EVM within TI's recommended specifications and environmental considerations stated in the user guide, other available documentation provided by TI, and any other applicable requirements and employ reasonable and customary safeguards. Exceeding the specified performance ratings and specifications (including but not limited to input and output voltage, current, power, and environmental ranges) for the EVM may cause personal injury or death, or property damage. If there are questions concerning performance ratings and specifications, User should contact a TI field representative prior to connecting interface electronics including input power and intended loads. Any loads applied outside of the specified output range may also result in unintended and/or inaccurate operation and/or possible permanent damage to the EVM and/or interface electronics. Please consult the EVM user guide prior to connecting any load to the EVM output. If there is uncertainty as to the load specification, please contact a TI field representative. During normal operation, even with the inputs and outputs kept within the specified allowable ranges, some circuit components may have elevated case temperatures. These components include but are not limited to linear regulators, switching transistors, pass transistors, current sense resistors, and heat sinks, which can be identified using the information in the associated documentation. When working with the EVM, please be aware that the EVM may become very warm.
 - 4.3.2 EVMs are intended solely for use by technically qualified, professional electronics experts who are familiar with the dangers and application risks associated with handling electrical mechanical components, systems, and subsystems. User assumes all responsibility and liability for proper and safe handling and use of the EVM by User or its employees, affiliates, contractors or designees. User assumes all responsibility and liability to ensure that any interfaces (electronic and/or mechanical) between the EVM and any human body are designed with suitable isolation and means to safely limit accessible leakage currents to minimize the risk of electrical shock hazard. User assumes all responsibility and liability for any improper or unsafe handling or use of the EVM by User or its employees, affiliates, contractors or designees.
 - 4.4 User assumes all responsibility and liability to determine whether the EVM is subject to any applicable international, federal, state, or local laws and regulations related to User's handling and use of the EVM and, if applicable, User assumes all responsibility and liability for compliance in all respects with such laws and regulations. User assumes all responsibility and liability for proper disposal and recycling of the EVM consistent with all applicable international, federal, state, and local requirements.
 5. *Accuracy of Information:* To the extent TI provides information on the availability and function of EVMs, TI attempts to be as accurate as possible. However, TI does not warrant the accuracy of EVM descriptions, EVM availability or other information on its websites as accurate, complete, reliable, current, or error-free.
 6. *Disclaimers:*
 - 6.1 EXCEPT AS SET FORTH ABOVE, EVMS AND ANY MATERIALS PROVIDED WITH THE EVM (INCLUDING, BUT NOT LIMITED TO, REFERENCE DESIGNS AND THE DESIGN OF THE EVM ITSELF) ARE PROVIDED "AS IS" AND "WITH ALL FAULTS." TI DISCLAIMS ALL OTHER WARRANTIES, EXPRESS OR IMPLIED, REGARDING SUCH ITEMS, INCLUDING BUT NOT LIMITED TO ANY EPIDEMIC FAILURE WARRANTY OR IMPLIED WARRANTIES OF MERCHANTABILITY OR FITNESS FOR A PARTICULAR PURPOSE OR NON-INFRINGEMENT OF ANY THIRD PARTY PATENTS, COPYRIGHTS, TRADE SECRETS OR OTHER INTELLECTUAL PROPERTY RIGHTS.
 - 6.2 EXCEPT FOR THE LIMITED RIGHT TO USE THE EVM SET FORTH HEREIN, NOTHING IN THESE TERMS SHALL BE CONSTRUED AS GRANTING OR CONFERRING ANY RIGHTS BY LICENSE, PATENT, OR ANY OTHER INDUSTRIAL OR INTELLECTUAL PROPERTY RIGHT OF TI, ITS SUPPLIERS/LICENSORS OR ANY OTHER THIRD PARTY, TO USE THE EVM IN ANY FINISHED END-USER OR READY-TO-USE FINAL PRODUCT, OR FOR ANY INVENTION, DISCOVERY OR IMPROVEMENT, REGARDLESS OF WHEN MADE, CONCEIVED OR ACQUIRED.
 7. *USER'S INDEMNITY OBLIGATIONS AND REPRESENTATIONS.* USER WILL DEFEND, INDEMNIFY AND HOLD TI, ITS LICENSORS AND THEIR REPRESENTATIVES HARMLESS FROM AND AGAINST ANY AND ALL CLAIMS, DAMAGES, LOSSES, EXPENSES, COSTS AND LIABILITIES (COLLECTIVELY, "CLAIMS") ARISING OUT OF OR IN CONNECTION WITH ANY HANDLING OR USE OF THE EVM THAT IS NOT IN ACCORDANCE WITH THESE TERMS. THIS OBLIGATION SHALL APPLY WHETHER CLAIMS ARISE UNDER STATUTE, REGULATION, OR THE LAW OF TORT, CONTRACT OR ANY OTHER LEGAL THEORY, AND EVEN IF THE EVM FAILS TO PERFORM AS DESCRIBED OR EXPECTED.

8. *Limitations on Damages and Liability:*

8.1 *General Limitations.* IN NO EVENT SHALL TI BE LIABLE FOR ANY SPECIAL, COLLATERAL, INDIRECT, PUNITIVE, INCIDENTAL, CONSEQUENTIAL, OR EXEMPLARY DAMAGES IN CONNECTION WITH OR ARISING OUT OF THESE TERMS OR THE USE OF THE EVMS , REGARDLESS OF WHETHER TI HAS BEEN ADVISED OF THE POSSIBILITY OF SUCH DAMAGES. EXCLUDED DAMAGES INCLUDE, BUT ARE NOT LIMITED TO, COST OF REMOVAL OR REINSTALLATION, ANCILLARY COSTS TO THE PROCUREMENT OF SUBSTITUTE GOODS OR SERVICES, RETESTING, OUTSIDE COMPUTER TIME, LABOR COSTS, LOSS OF GOODWILL, LOSS OF PROFITS, LOSS OF SAVINGS, LOSS OF USE, LOSS OF DATA, OR BUSINESS INTERRUPTION. NO CLAIM, SUIT OR ACTION SHALL BE BROUGHT AGAINST TI MORE THAN TWELVE (12) MONTHS AFTER THE EVENT THAT GAVE RISE TO THE CAUSE OF ACTION HAS OCCURRED.

8.2 *Specific Limitations.* IN NO EVENT SHALL TI'S AGGREGATE LIABILITY FROM ANY USE OF AN EVM PROVIDED HEREUNDER, INCLUDING FROM ANY WARRANTY, INDEMNITY OR OTHER OBLIGATION ARISING OUT OF OR IN CONNECTION WITH THESE TERMS, , EXCEED THE TOTAL AMOUNT PAID TO TI BY USER FOR THE PARTICULAR EVM(S) AT ISSUE DURING THE PRIOR TWELVE (12) MONTHS WITH RESPECT TO WHICH LOSSES OR DAMAGES ARE CLAIMED. THE EXISTENCE OF MORE THAN ONE CLAIM SHALL NOT ENLARGE OR EXTEND THIS LIMIT.

9. *Return Policy.* Except as otherwise provided, TI does not offer any refunds, returns, or exchanges. Furthermore, no return of EVM(s) will be accepted if the package has been opened and no return of the EVM(s) will be accepted if they are damaged or otherwise not in a resalable condition. If User feels it has been incorrectly charged for the EVM(s) it ordered or that delivery violates the applicable order, User should contact TI. All refunds will be made in full within thirty (30) working days from the return of the components(s), excluding any postage or packaging costs.

10. *Governing Law:* These terms and conditions shall be governed by and interpreted in accordance with the laws of the State of Texas, without reference to conflict-of-laws principles. User agrees that non-exclusive jurisdiction for any dispute arising out of or relating to these terms and conditions lies within courts located in the State of Texas and consents to venue in Dallas County, Texas. Notwithstanding the foregoing, any judgment may be enforced in any United States or foreign court, and TI may seek injunctive relief in any United States or foreign court.

Mailing Address: Texas Instruments, Post Office Box 655303, Dallas, Texas 75265
Copyright © 2023, Texas Instruments Incorporated

IMPORTANT NOTICE AND DISCLAIMER

TI PROVIDES TECHNICAL AND RELIABILITY DATA (INCLUDING DATA SHEETS), DESIGN RESOURCES (INCLUDING REFERENCE DESIGNS), APPLICATION OR OTHER DESIGN ADVICE, WEB TOOLS, SAFETY INFORMATION, AND OTHER RESOURCES "AS IS" AND WITH ALL FAULTS, AND DISCLAIMS ALL WARRANTIES, EXPRESS AND IMPLIED, INCLUDING WITHOUT LIMITATION ANY IMPLIED WARRANTIES OF MERCHANTABILITY, FITNESS FOR A PARTICULAR PURPOSE OR NON-INFRINGEMENT OF THIRD PARTY INTELLECTUAL PROPERTY RIGHTS.

These resources are intended for skilled developers designing with TI products. You are solely responsible for (1) selecting the appropriate TI products for your application, (2) designing, validating and testing your application, and (3) ensuring your application meets applicable standards, and any other safety, security, regulatory or other requirements.

These resources are subject to change without notice. TI grants you permission to use these resources only for development of an application that uses the TI products described in the resource. Other reproduction and display of these resources is prohibited. No license is granted to any other TI intellectual property right or to any third party intellectual property right. TI disclaims responsibility for, and you will fully indemnify TI and its representatives against, any claims, damages, costs, losses, and liabilities arising out of your use of these resources.

TI's products are provided subject to [TI's Terms of Sale](#) or other applicable terms available either on [ti.com](https://www.ti.com) or provided in conjunction with such TI products. TI's provision of these resources does not expand or otherwise alter TI's applicable warranties or warranty disclaimers for TI products.

TI objects to and rejects any additional or different terms you may have proposed.

Mailing Address: Texas Instruments, Post Office Box 655303, Dallas, Texas 75265
Copyright © 2025, Texas Instruments Incorporated