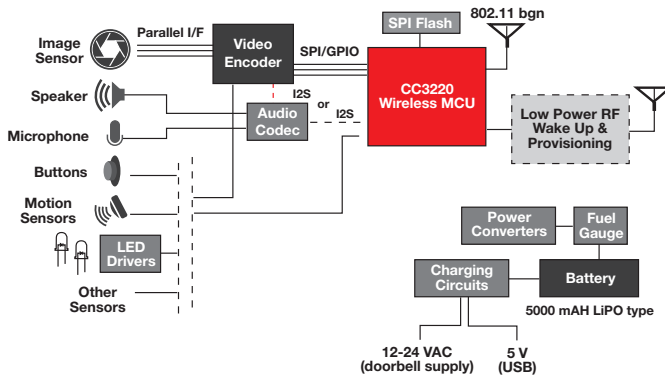


Design a low power camera with optimized cloud streaming and enhanced security using SimpleLink™ Wi-Fi®



Learn how you can use the new SimpleLink™ Wi-Fi wireless microcontrollers (MCU), featuring RTP video and audio streaming over Wi-Fi with enhanced security features for your low power camera design.

Reference design

- [Wi-Fi Audio Streaming Reference Design](#)
- Wi-Fi Audio Streaming Application for SimpleLink Wi-Fi CC3200 Launchpad

User Guide (reference design)

- [Wi-Fi Audio Streaming Reference Design User Guide](#)

Features	Benefits
<ul style="list-style-type: none"> • Industry's lowest power, with TI's cutting edge proprietary network learning algorithm and configurable low-power modes optimizing across more than 100 Access Points world wide <ul style="list-style-type: none"> o 115 µA/135 µA for CC3120/CC3220 in deep sleep mode, and as low as 210 µA for CC3220 while maintaining a secured connection to AP o 4.5 µA in hibernate mode, intermittently connected with fast reconnection 	<ul style="list-style-type: none"> • CC3220 Runs on 5000mAh battery life up to: <ul style="list-style-type: none"> o Almost 2 years in "always connected" low power mode, and 1 year including 5 min of streaming per day o Over 5 years for waking up on trigger mode, and 1.5 years including 5 min of streaming per day
<ul style="list-style-type: none"> • Enhanced security protocols allow secure connection and encryption up to application level • CC3220S offers robust Wi-Fi and networking stacks running on a separate on-chip execution environment with a dedicated Cortex™ • On-chip Wi-Fi security features, including network and manufacturer IP protection facilitated by hardware crypto engine (incl. APIs to AES256, DES, SHA/MD5, CRC) 	<ul style="list-style-type: none"> • Enables protection against hostile takeover (e.g. malicious over the air update), and IP or video theft, without external secure components • Since CC3220 offers extensive Wi-Fi security features , the video encoder is free of Wi-Fi/networking/security threads and better able to perform intelligent image processing
<ul style="list-style-type: none"> • Best-in-class interoperability with extensive testing with over 200 access points • Wi-Fi alliance certified IC's and modules • Regulatory certifications for FCC, IC, CE/RED and more 	<ul style="list-style-type: none"> • Robust communication with a variety of access points world-wide • Reduced design complexity, time, resources and costs with free reference design and certified and transferrable
<ul style="list-style-type: none"> • Highly integrated CC32x wireless MCU (SOC) with an ARM Cortex -M4 at 80 MHz, and a separate network processor managing all Wi-Fi and internet IP sockets • Application dedicated 256 KB of RAM + optional 1 MB of XIP flash 	<ul style="list-style-type: none"> • CC3220 in the heart of the system: running the customer application and simultaneously controlling wake-up triggers, lock control processing and network connection • Reduced BOM cost to the customer
<ul style="list-style-type: none"> • 16 Mbps UDP throughput for H.264 compressed 1080p via RTP • Video streaming royalty-free reference design 	<ul style="list-style-type: none"> • High quality video/audio
<ul style="list-style-type: none"> • Fast wakeup by an external trigger (300 msec), from a 4.5 uA hibernate mode to WPA2 secured AP connection • TLS/SSL connection to local network in 200msec utilizing the embedded hardware crypto engines 	<ul style="list-style-type: none"> • Enhanced user experience with low latency response from a button push or RF event
<ul style="list-style-type: none"> • SimpleLink™ common software architecture across the SimpleLink MCU portfolio of MCUs, Sub1GHz, BLE and Wi-Fi technologies 	<ul style="list-style-type: none"> • Allowing developers to invest once and reuse across technologies Using code and tool compatibility between platforms
<ul style="list-style-type: none"> • Software and plug-ins for Amazon Web Services, Apple's HomeKit, IBM Watson, IoT, and other cloud partner applications 	<ul style="list-style-type: none"> • Get to market faster with easy to integrate cloud-compliant options

Learn more at [SimpleLink™ Wi-Fi® application tab](#)

See additional system parts at [TI IP network camera reference design](#)

IMPORTANT NOTICE FOR TI DESIGN INFORMATION AND RESOURCES

Texas Instruments Incorporated ("TI") technical, application or other design advice, services or information, including, but not limited to, reference designs and materials relating to evaluation modules, (collectively, "TI Resources") are intended to assist designers who are developing applications that incorporate TI products; by downloading, accessing or using any particular TI Resource in any way, you (individually or, if you are acting on behalf of a company, your company) agree to use it solely for this purpose and subject to the terms of this Notice.

TI's provision of TI Resources does not expand or otherwise alter TI's applicable published warranties or warranty disclaimers for TI products, and no additional obligations or liabilities arise from TI providing such TI Resources. TI reserves the right to make corrections, enhancements, improvements and other changes to its TI Resources.

You understand and agree that you remain responsible for using your independent analysis, evaluation and judgment in designing your applications and that you have full and exclusive responsibility to assure the safety of your applications and compliance of your applications (and of all TI products used in or for your applications) with all applicable regulations, laws and other applicable requirements. You represent that, with respect to your applications, you have all the necessary expertise to create and implement safeguards that (1) anticipate dangerous consequences of failures, (2) monitor failures and their consequences, and (3) lessen the likelihood of failures that might cause harm and take appropriate actions. You agree that prior to using or distributing any applications that include TI products, you will thoroughly test such applications and the functionality of such TI products as used in such applications. TI has not conducted any testing other than that specifically described in the published documentation for a particular TI Resource.

You are authorized to use, copy and modify any individual TI Resource only in connection with the development of applications that include the TI product(s) identified in such TI Resource. NO OTHER LICENSE, EXPRESS OR IMPLIED, BY ESTOPPEL OR OTHERWISE TO ANY OTHER TI INTELLECTUAL PROPERTY RIGHT, AND NO LICENSE TO ANY TECHNOLOGY OR INTELLECTUAL PROPERTY RIGHT OF TI OR ANY THIRD PARTY IS GRANTED HEREIN, including but not limited to any patent right, copyright, mask work right, or other intellectual property right relating to any combination, machine, or process in which TI products or services are used. Information regarding or referencing third-party products or services does not constitute a license to use such products or services, or a warranty or endorsement thereof. Use of TI Resources may require a license from a third party under the patents or other intellectual property of the third party, or a license from TI under the patents or other intellectual property of TI.

TI RESOURCES ARE PROVIDED "AS IS" AND WITH ALL FAULTS. TI DISCLAIMS ALL OTHER WARRANTIES OR REPRESENTATIONS, EXPRESS OR IMPLIED, REGARDING TI RESOURCES OR USE THEREOF, INCLUDING BUT NOT LIMITED TO ACCURACY OR COMPLETENESS, TITLE, ANY EPIDEMIC FAILURE WARRANTY AND ANY IMPLIED WARRANTIES OF MERCHANTABILITY, FITNESS FOR A PARTICULAR PURPOSE, AND NON-INFRINGEMENT OF ANY THIRD PARTY INTELLECTUAL PROPERTY RIGHTS.

TI SHALL NOT BE LIABLE FOR AND SHALL NOT DEFEND OR INDEMNIFY YOU AGAINST ANY CLAIM, INCLUDING BUT NOT LIMITED TO ANY INFRINGEMENT CLAIM THAT RELATES TO OR IS BASED ON ANY COMBINATION OF PRODUCTS EVEN IF DESCRIBED IN TI RESOURCES OR OTHERWISE. IN NO EVENT SHALL TI BE LIABLE FOR ANY ACTUAL, DIRECT, SPECIAL, COLLATERAL, INDIRECT, PUNITIVE, INCIDENTAL, CONSEQUENTIAL OR EXEMPLARY DAMAGES IN CONNECTION WITH OR ARISING OUT OF TI RESOURCES OR USE THEREOF, AND REGARDLESS OF WHETHER TI HAS BEEN ADVISED OF THE POSSIBILITY OF SUCH DAMAGES.

You agree to fully indemnify TI and its representatives against any damages, costs, losses, and/or liabilities arising out of your non-compliance with the terms and provisions of this Notice.

This Notice applies to TI Resources. Additional terms apply to the use and purchase of certain types of materials, TI products and services. These include; without limitation, TI's standard terms for semiconductor products (<http://www.ti.com/sc/docs/stdterms.htm>), [evaluation modules](#), and [samples](http://www.ti.com/sc/docs/sampterm.htm) (<http://www.ti.com/sc/docs/sampterm.htm>).

Mailing Address: Texas Instruments, Post Office Box 655303, Dallas, Texas 75265
Copyright © 2018, Texas Instruments Incorporated