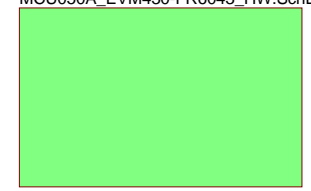
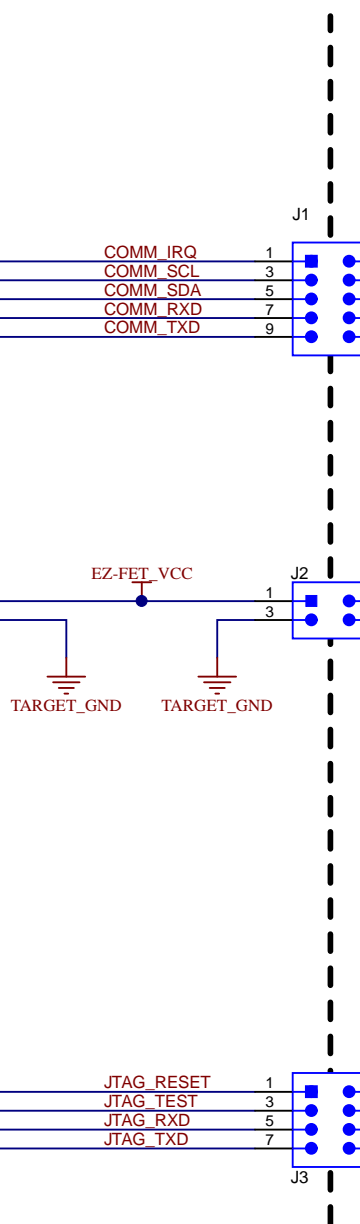
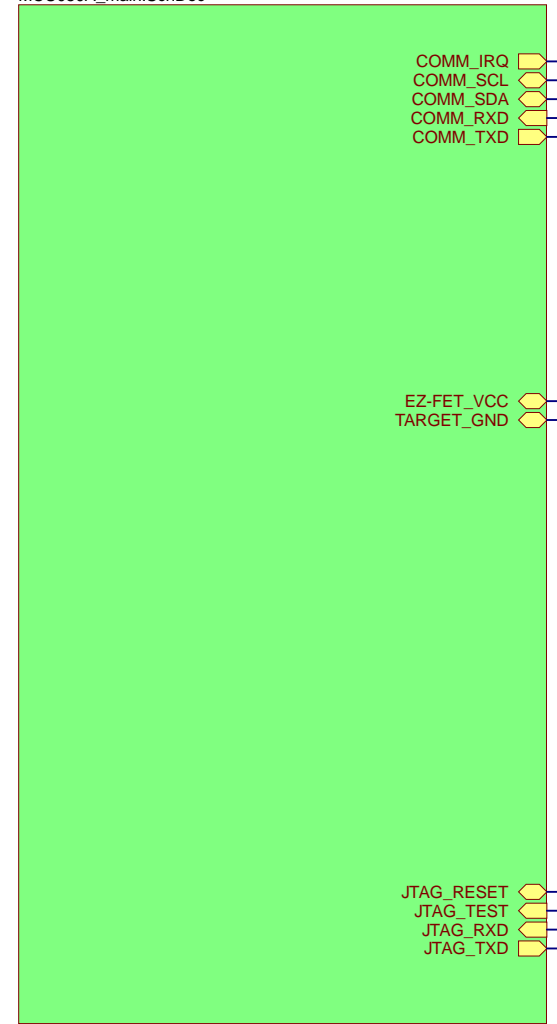


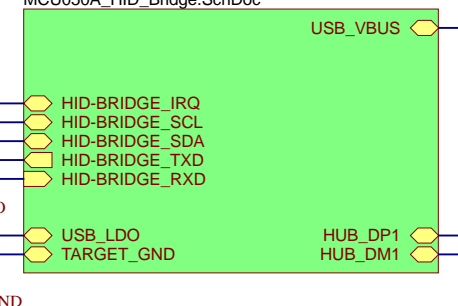
U_EVM430-FR6043_HW
MCU050A_EVM430-FR6043_HW.SchDoc



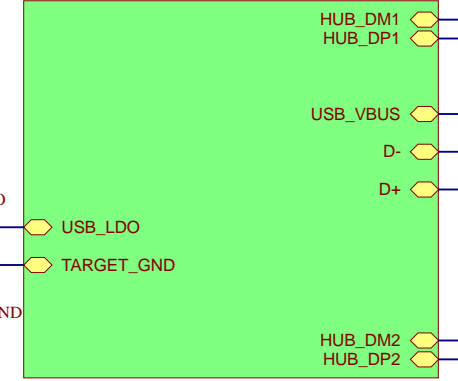
Main
MCU050A_main.SchDoc



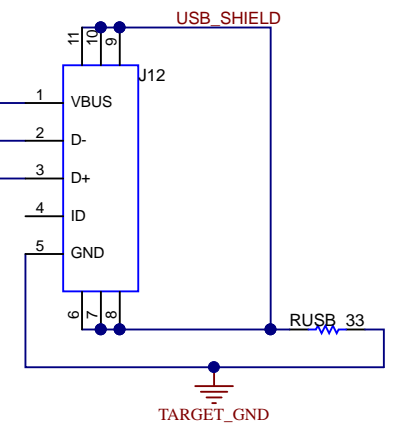
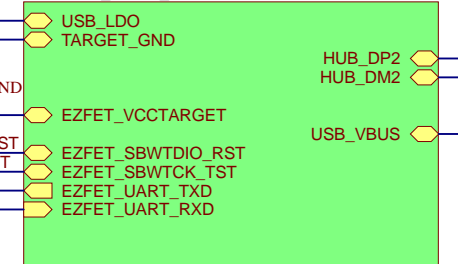
HID Bridge
MCU050A_HID_Bridge.SchDoc



USB Hub
MCU050A_USB_Comm-USB_Power.SchDoc



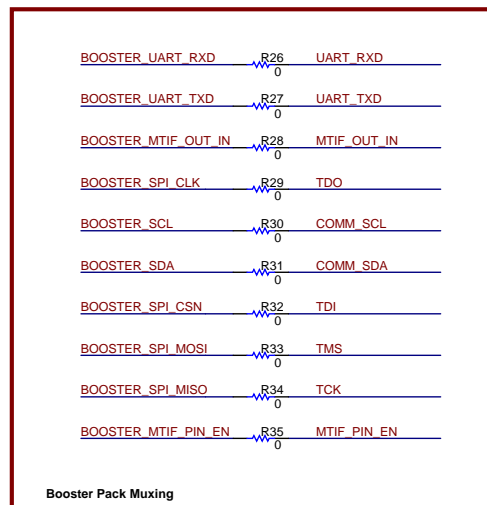
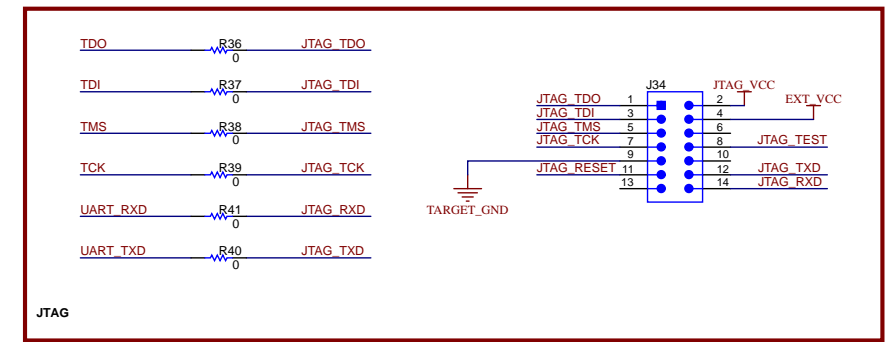
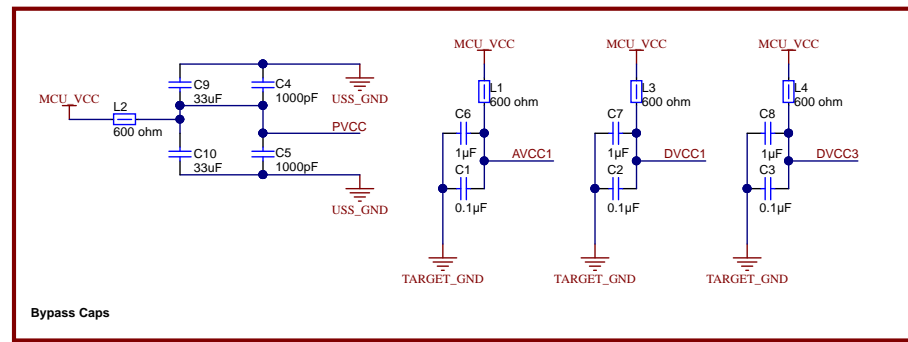
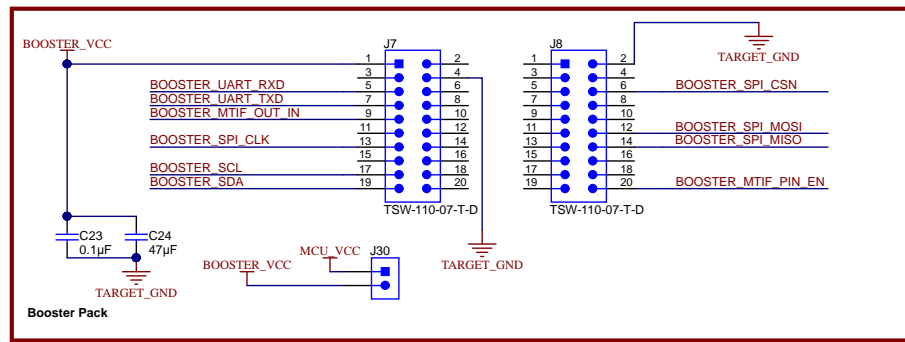
ezFET
MCU050A_ezFET_Lite.SchDoc



Texas Instruments and/or its licensors do not warrant the accuracy or completeness of this specification or any information contained therein. Texas Instruments and/or its licensors do not warrant that this design will meet the specifications, will be suitable for your application or fit for any particular purpose, or will operate in an implementation. Texas Instruments and/or its licensors do not warrant that the design is production worthy. You should completely validate and test your design implementation to confirm the system functionality for your application.

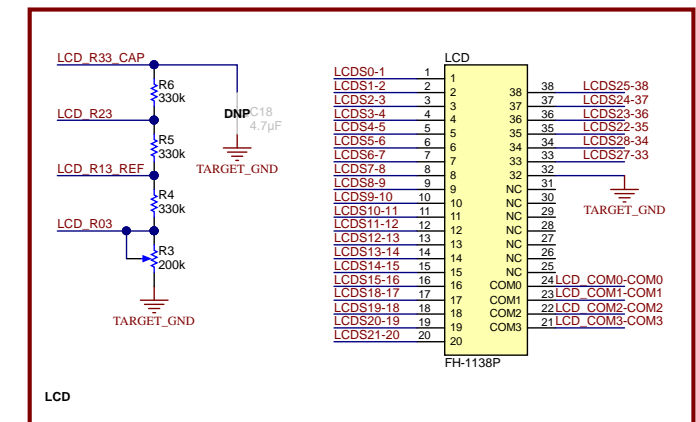
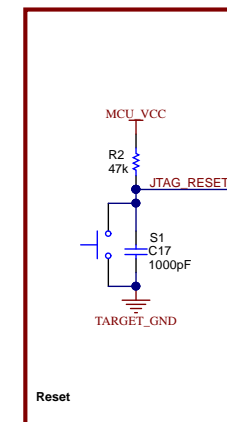
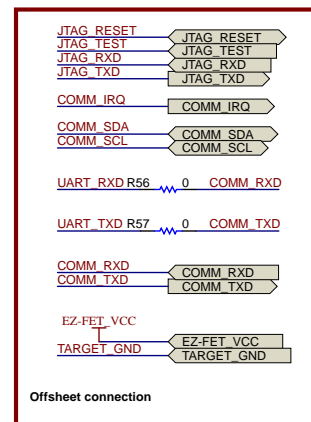
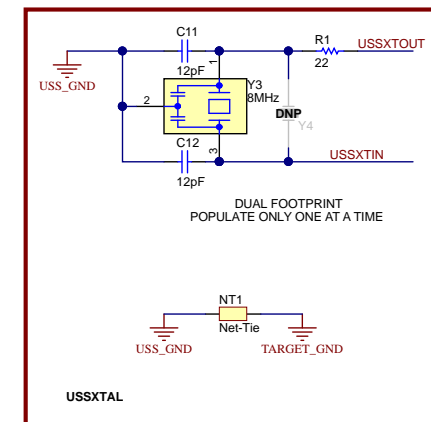
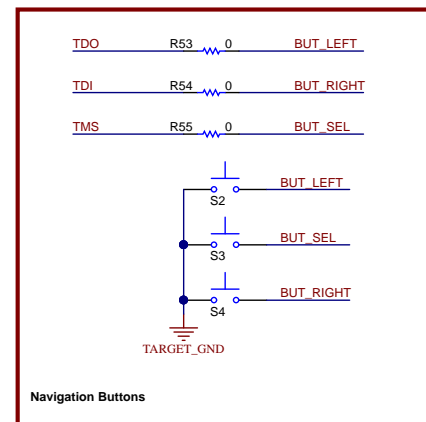
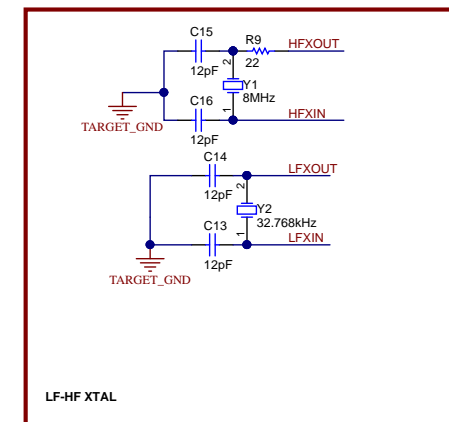
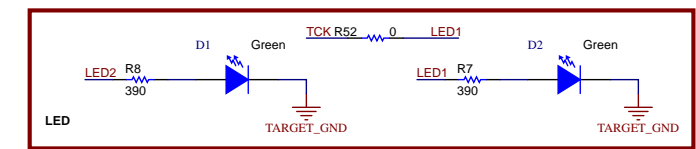
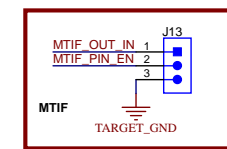
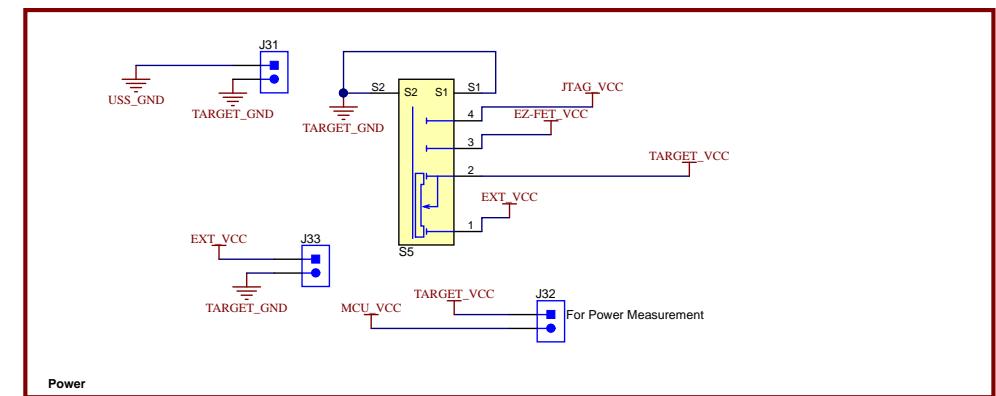
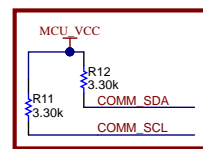
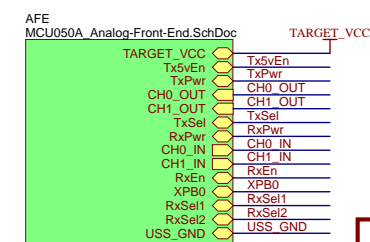
Orderable: EVM430-FR6043	Designed for: Public Release	Mod. Date: 5/7/2018
TID #: N/A	Project Title: EVM430-FR6043	
Number: MCU050	Rev: A	Sheet: 1 of 7
SVN Rev: Version control disabled	Assembly Variant: 001	Size: B
Drawn By:	File: MCU050A_EVM430-FR6043.SchDoc	Contact: http://www.ti.com/support
Engineer: D. Garcia		

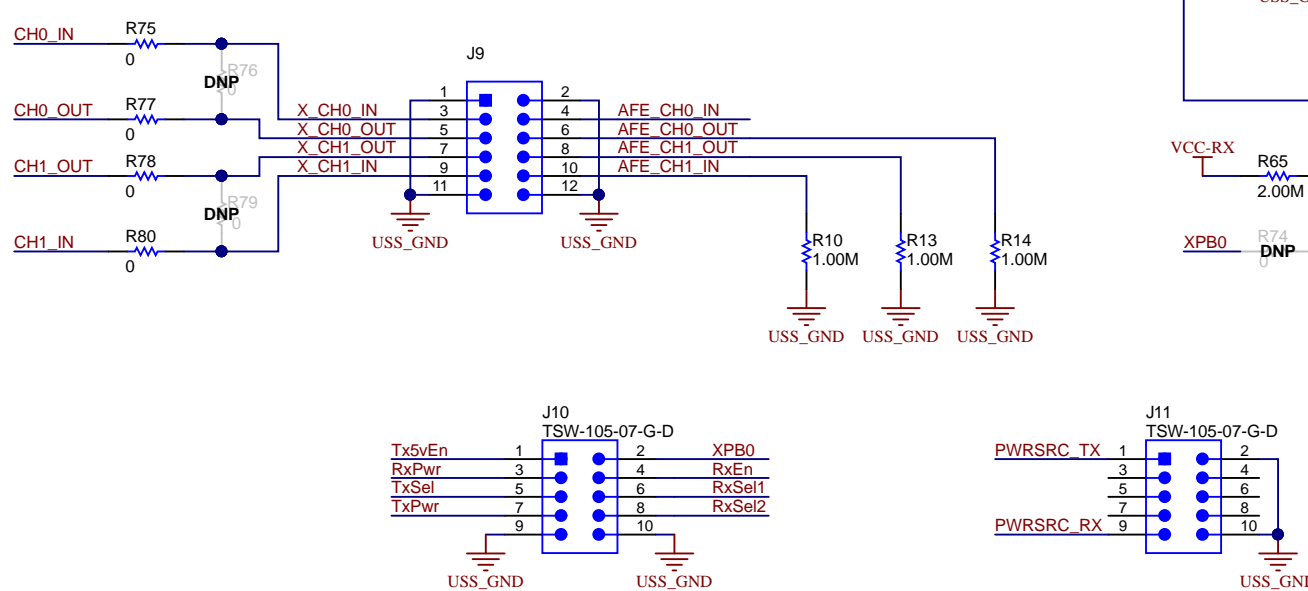
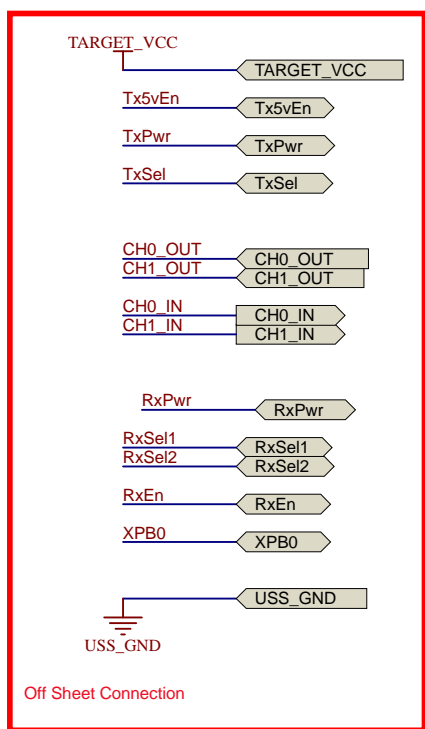
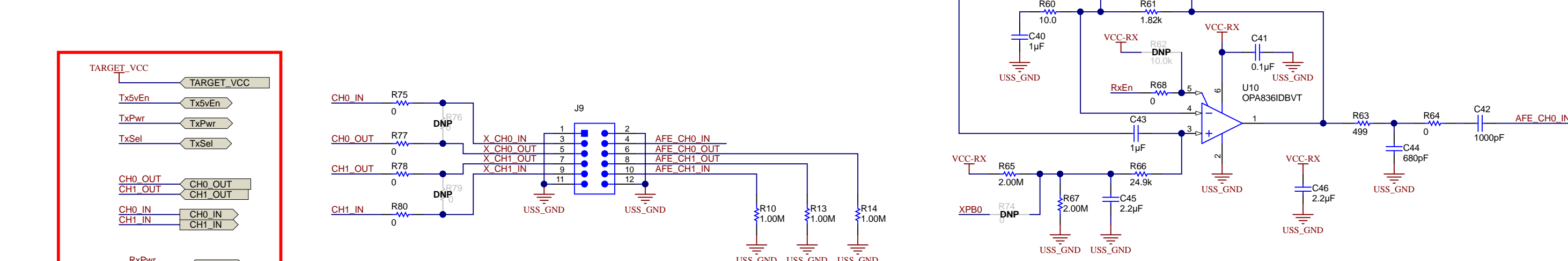
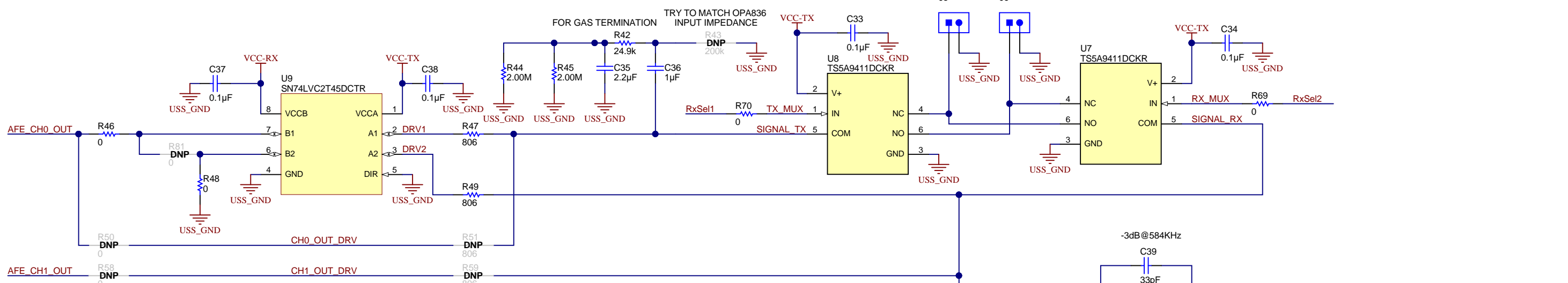
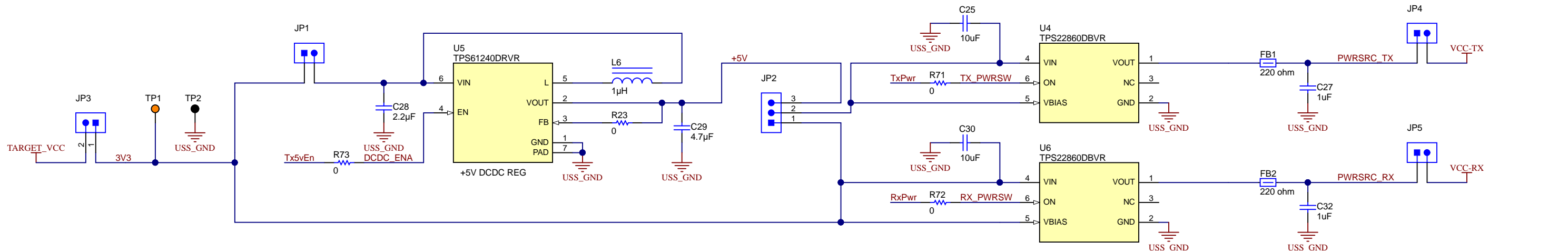




U1	Pin	Signal	Target
AVCC1	1	AVCC1	
DVCC1	22	DVCC1	
DVCC3	59	DVCC3	
PVCC	70	PVCC	
PVCC	71	PVCC	
TxPwr	4	P1.0/UC1CLK/TA1.0/A0/C0/VREF/VREF+	
UART_TXD	25	P1.1/UC1STE/UC1A3/SOMI/UC1A3RXD/LCDS19	
UART_RXD	26	P1.2/UC1SIMO/UC1A1TXD/TA1.0/A8/C8	
COMM_IRQ	31	P1.3/UC1SOMI/UC1A1RXD/TA1.1/A9/C9	
LED2	32	P1.4/TB0.4/UCB0STE/A2/C2	
COMM_SDA	29	P1.5/TB0.5/UCB0CLK/A3/C3	
COMM_SCL	30	P1.6/UC1STE/UCB0SIMO/UCB0SDA/LCDS17	
COMM_SCL	30	P1.7/USSTRG/UC3ACLK/UCB0SOMI/UCB0SCL/LCDS16	
LCDS19-18	27	P2.0/UC1CLK/UC1A3SIMO/UC1A3TXD/LCDS19	
LCDS18-17	28	P2.1/UC1STE/UC1A3SOMI/UC1A3RXD/LCDS18	
RxPwr	2	P2.2/COUT/UC1A0CLK/A14/C14	
TxSel	3	P2.3/TA0.0/UC1A0STE/A15/C15	
LCDS24-37	12	P2.4/TA0CLK/TB0CLK/TA1CLK/LCDS24	
LCDS21-20	23	P2.5/TA0.2/TA4.0/LCDS21	
LCDS23-36	13	P2.6/UC1A0SIMO/UC1A0TXD/TA1.2/TA1.2C/LCDS23	
LCDS22-35	14	P2.7/UC1A0SOMI/UC1A0RXD/TA4.1/TA4.1C/LCDS22	
LCDS20-19	24	P3.0/TB0.0/LCDS20	
MTIF_OUT_IN	33	P3.1/TA1CLK/TB0.1/MTIF_OUT_IN	
LCDS28-34	63	P3.2/TA1.1/COM5/LCDS28	
LCDS25-38	64	P3.3/MCLK/TB0.3/XPB0/LCDS25	
LCDS27-33	65	P3.4/SCLK/COM6/DMAE0/LCDS27	
LCD_COM3-COM3	66	P3.5/ACLK/COM3/COUT/LCDS26	
RxSel1	75	P3.6/UCB1SIMO/UCB1SDA/TB0.6/US1X_BOUT/LCDS35	
RxSel2	76	P3.7/UCB1SOMI/UCB1SCL/TB0.2/TB0OUTH/LCDS36	
MTIF_PIN_EN	34	P4.0/RTCLK/TA1.1/MTIF_PIN_EN	
LCDS15-16	35	P4.1/UC1CLK/TB0.4/UC1A3SOMI/UC1A3RXD/LCDS15	
LCDS14-15	36	P4.2/UC1A0STE/TB0.5/UC1A3SIMO/UC1A3TXD/LCDS14	
LCDS13-14	37	P4.3/UC1A0SIMO/UC1A0TXD/LCDS13	
LCDS12-13	38	P4.4/UC1A0SOMI/UC1A0RXD/LCDS12	
LCDS11-12	39	P4.5/TA0CLK/TA1CLK/LCDS11	
LCDS10-11	40	P4.6/TB0CLK/TA4CLK/LCDS10	
LCDS9-10	42	P4.7/DMAE0/LCDS9	
LCDS8-9	43	P5.0/TB0.0/UC1A2SIMO/UC1A2TXD/LCDS8	
LCDS7-8	44	P5.1/TB0.1/UC1A2SOMI/UC1A2RXD/LCDS7	
LCDS6-7	45	P5.2/TB0.2/UC1A2CLK/LCDS6	
LCDS5-6	46	P5.3/TB0.3/UC1A2STE/LCDS5	
LCDS4-5	47	P5.4/TA0.0/UC1CLK/TA4.0/LCDS4	
LCDS3-4	48	P5.5/TA4.1/UCB1SIMO/UCB1SDA/LCDS3	
LCDS2-3	49	P5.6/TB0OUTH/UCB1SOMI/UCB1SCL/LCDS2	
LCDS1-2	50	P5.7/TA0.2/UCB1STE/LCDS1	

MSP430FR6043IPN

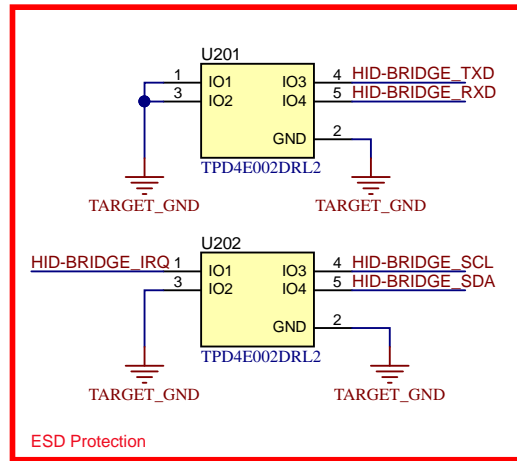
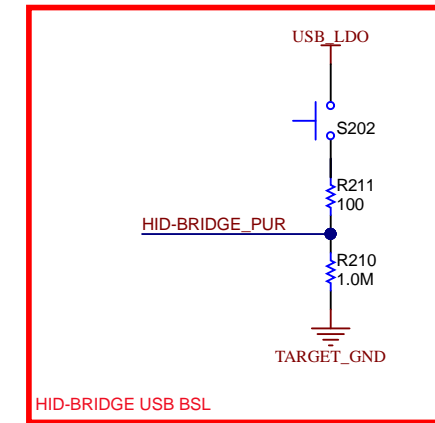
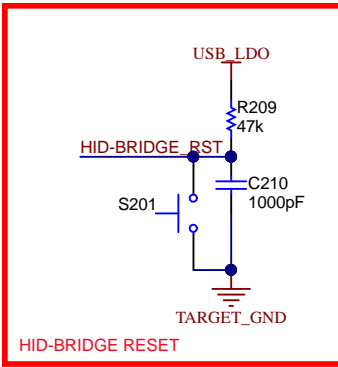
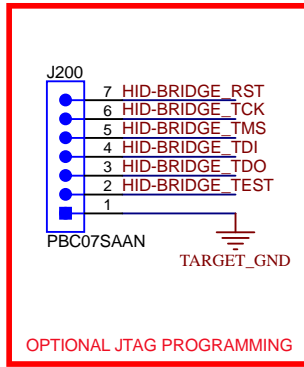
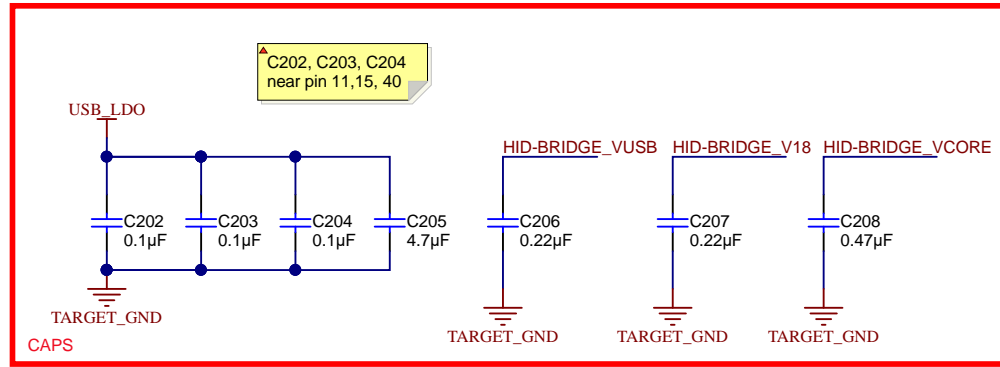




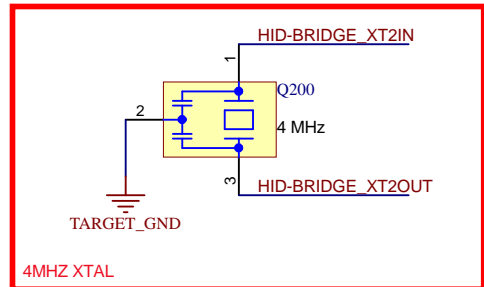
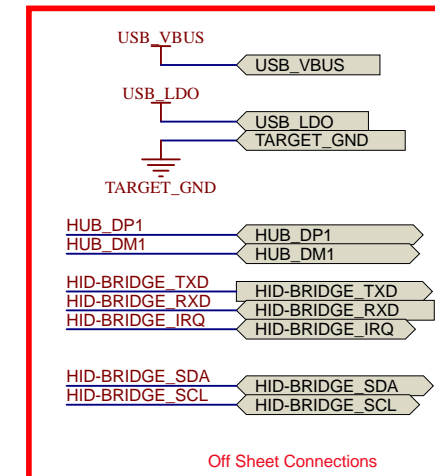
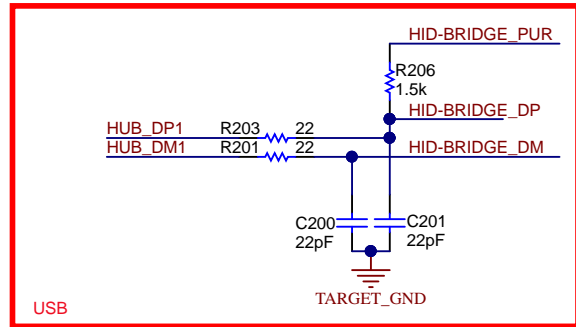
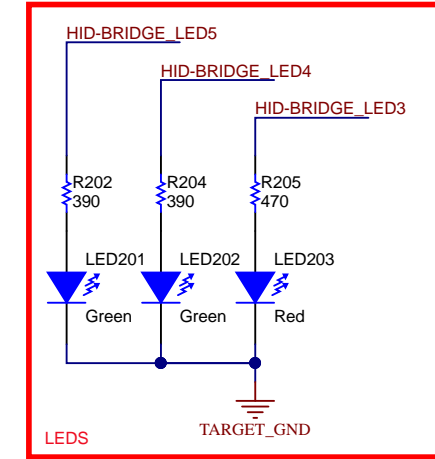
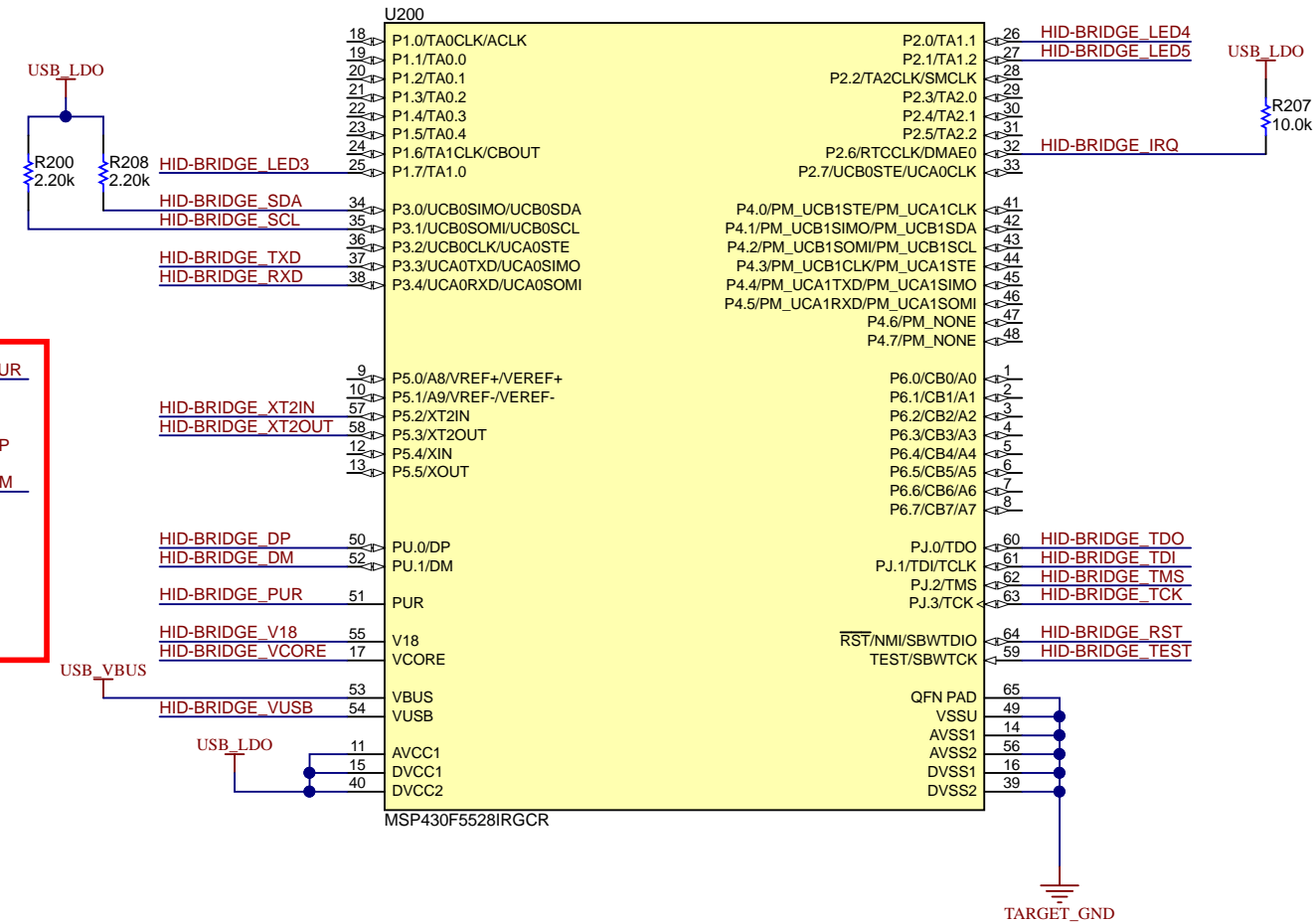
Orderable: EVM430-FR6043	Designed for: Public Release	Mod. Date: 5/30/2018
TID #: N/A	Project Title: EVM430-FR6043	
Number: MCU050	Rev: A	Sheet Title:
SVN Rev: Version control disabled	Assembly Variant: 001	Sheet: 3 of 7
Drawn By:	File: MCU050A_Analog-Front-End.SchDoc	Size: B
Engineer: D. Garcia	Contact: http://www.ti.com/support	

Texas Instruments and/or its licensors do not warrant the accuracy or completeness of this specification or any information contained therein. Texas Instruments and/or its licensors do not warrant that this design will meet the specifications, will be suitable for your application or fit for any particular purpose, or will operate in an implementation. Texas Instruments and/or its licensors do not warrant that the design is production worthy. You should completely validate and test your design implementation to confirm the system functionality for your application.





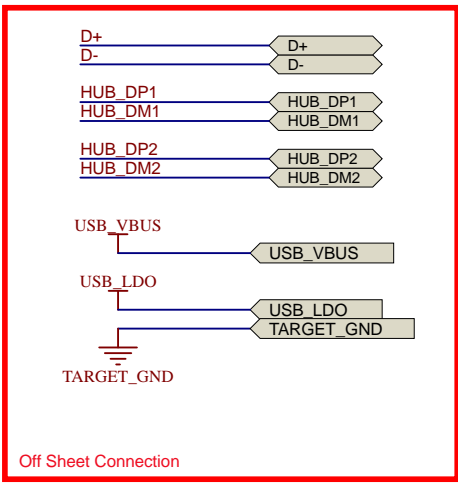
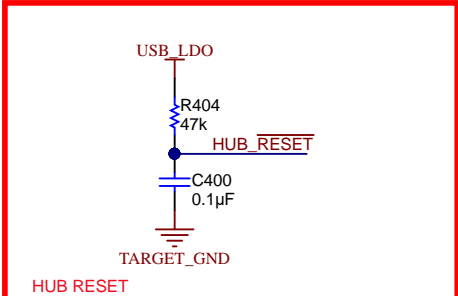
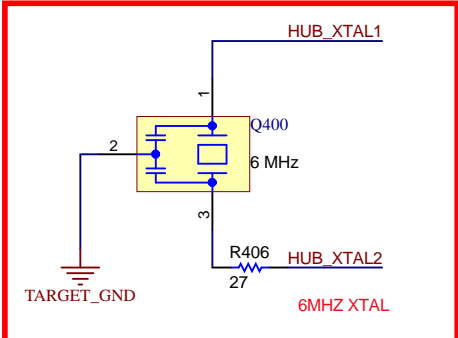
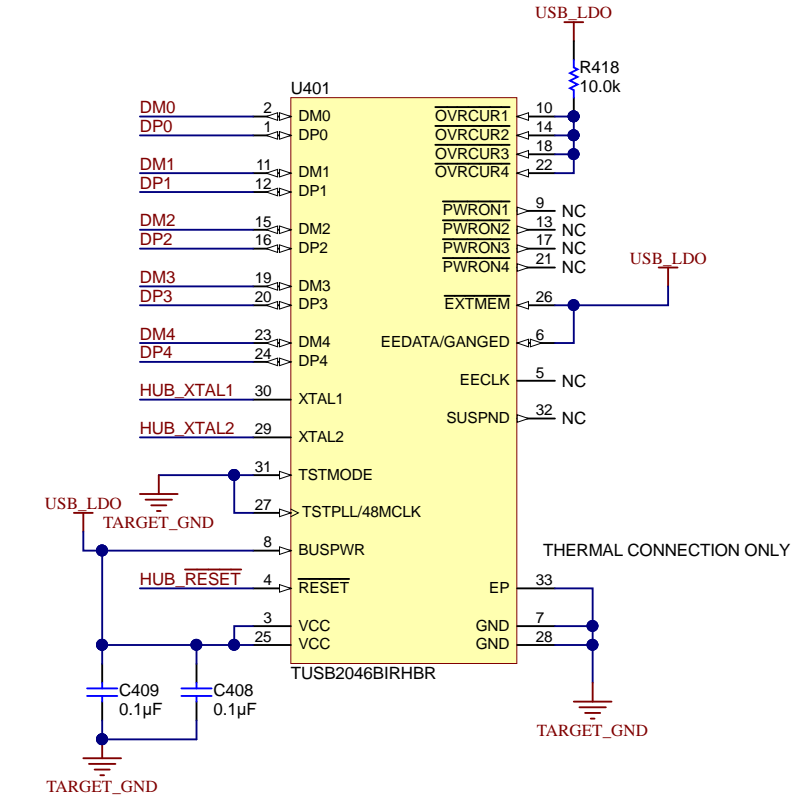
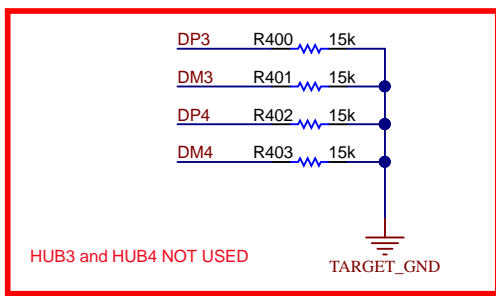
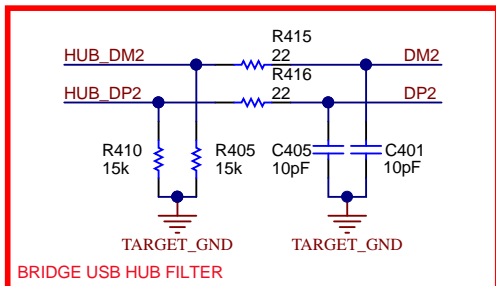
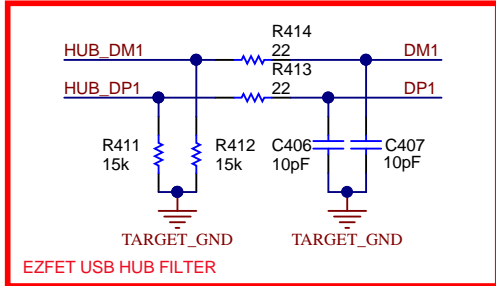
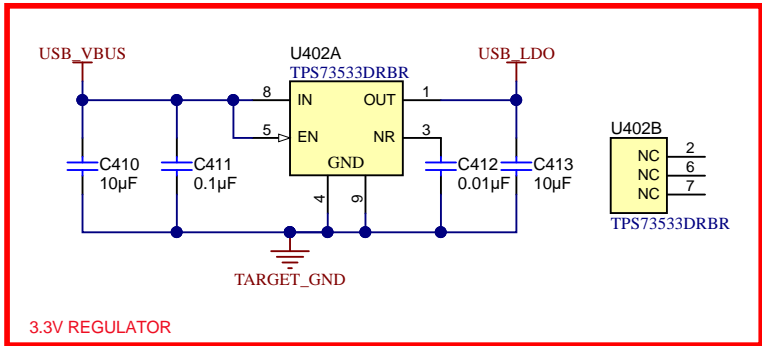
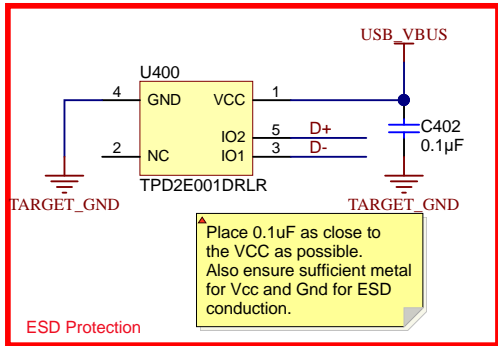
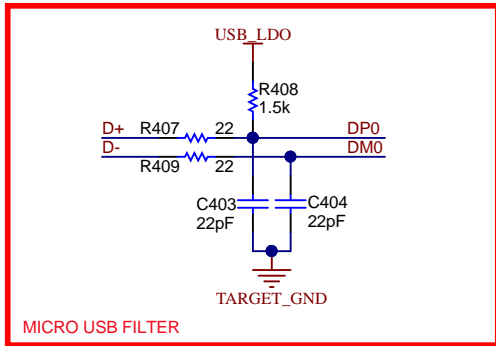
MSP430F5528 COMMUNICATIONS HID-BRIDGE



Texas Instruments and/or its licensors do not warrant the accuracy or completeness of this specification or any information contained therein. Texas Instruments and/or its licensors do not warrant that this design will meet the specifications, will be suitable for your application or fit for any particular purpose, or will operate in an implementation. Texas Instruments and/or its licensors do not warrant that the design is production worthy. You should completely validate and test your design implementation to confirm the system functionality for your application.

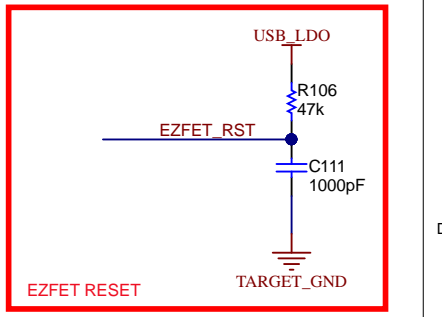
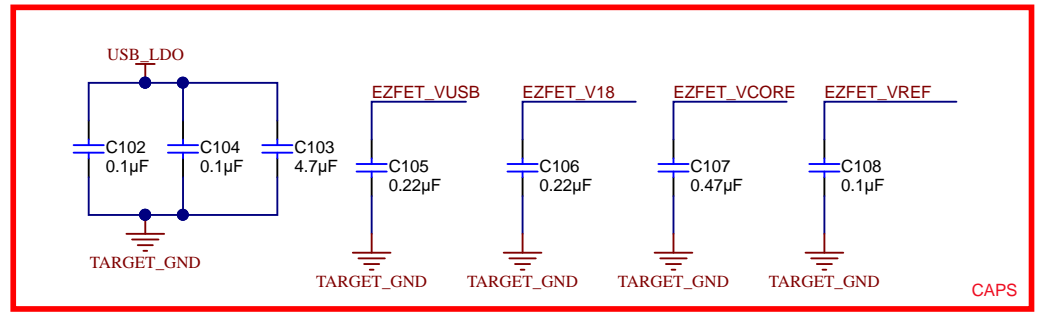
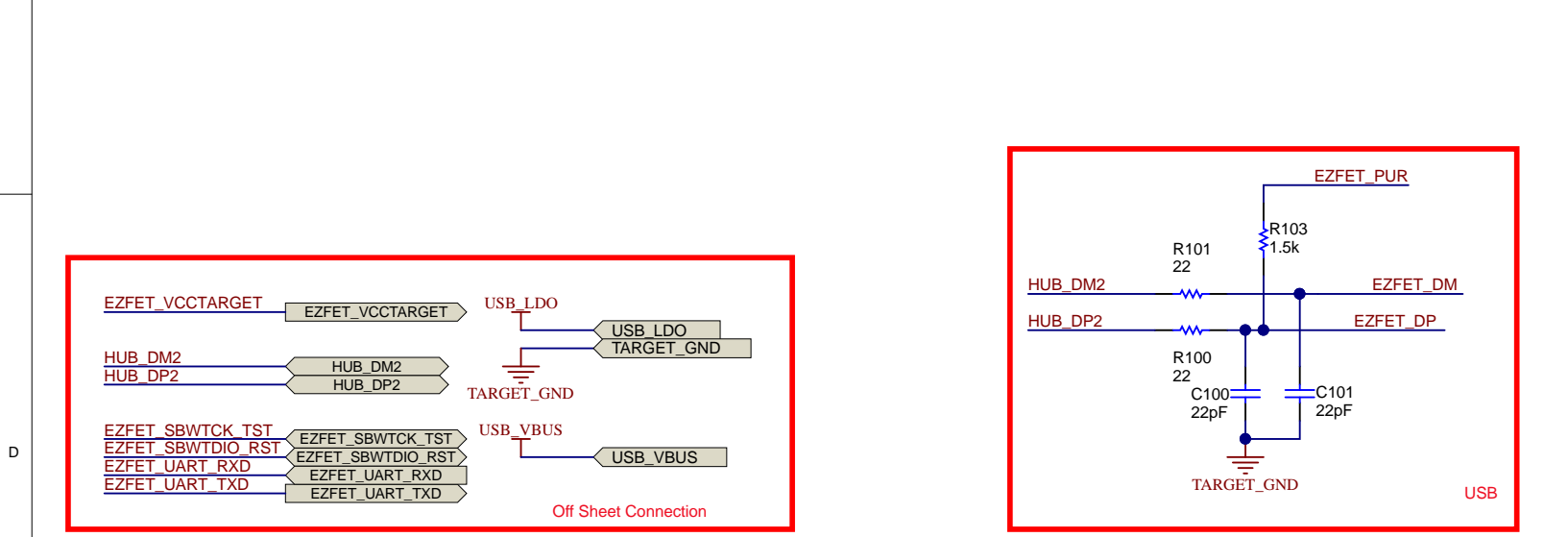
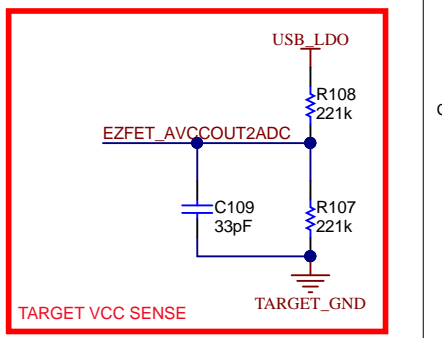
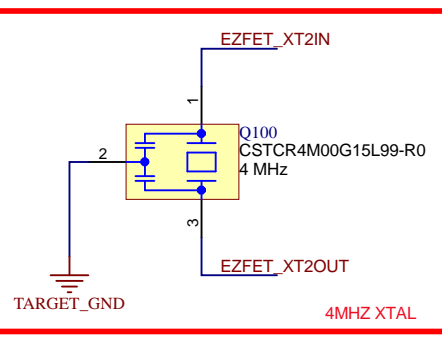
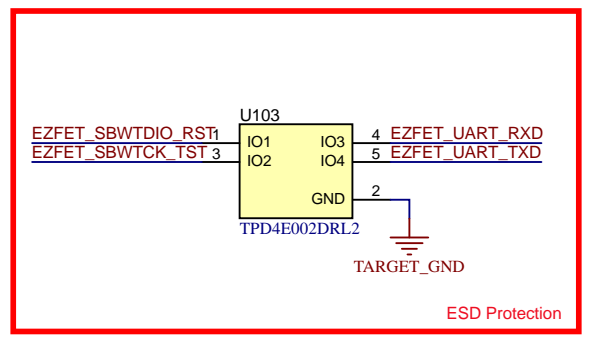
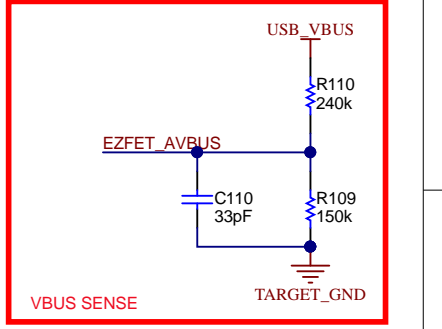
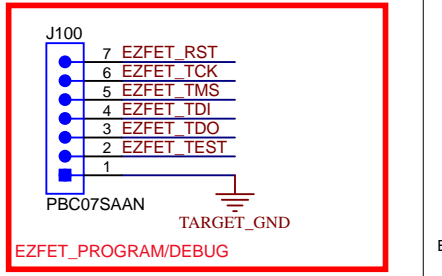
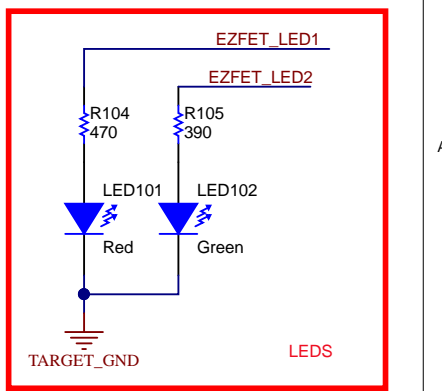
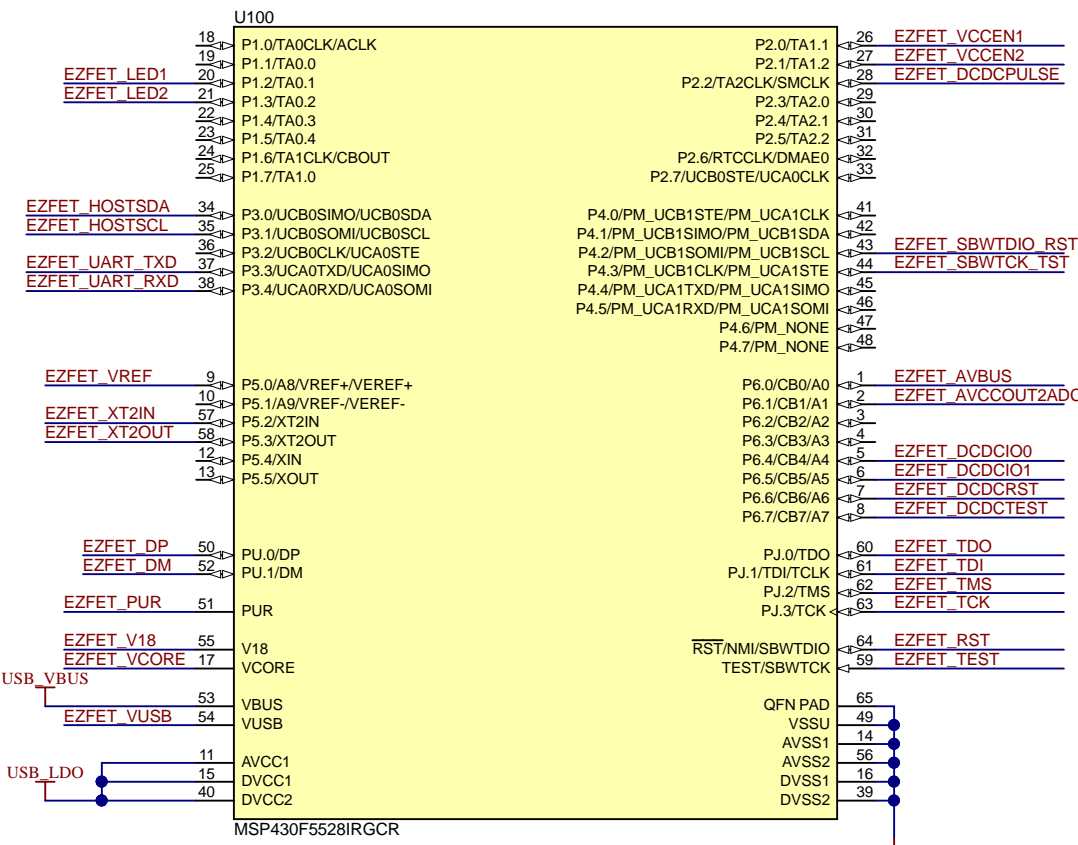
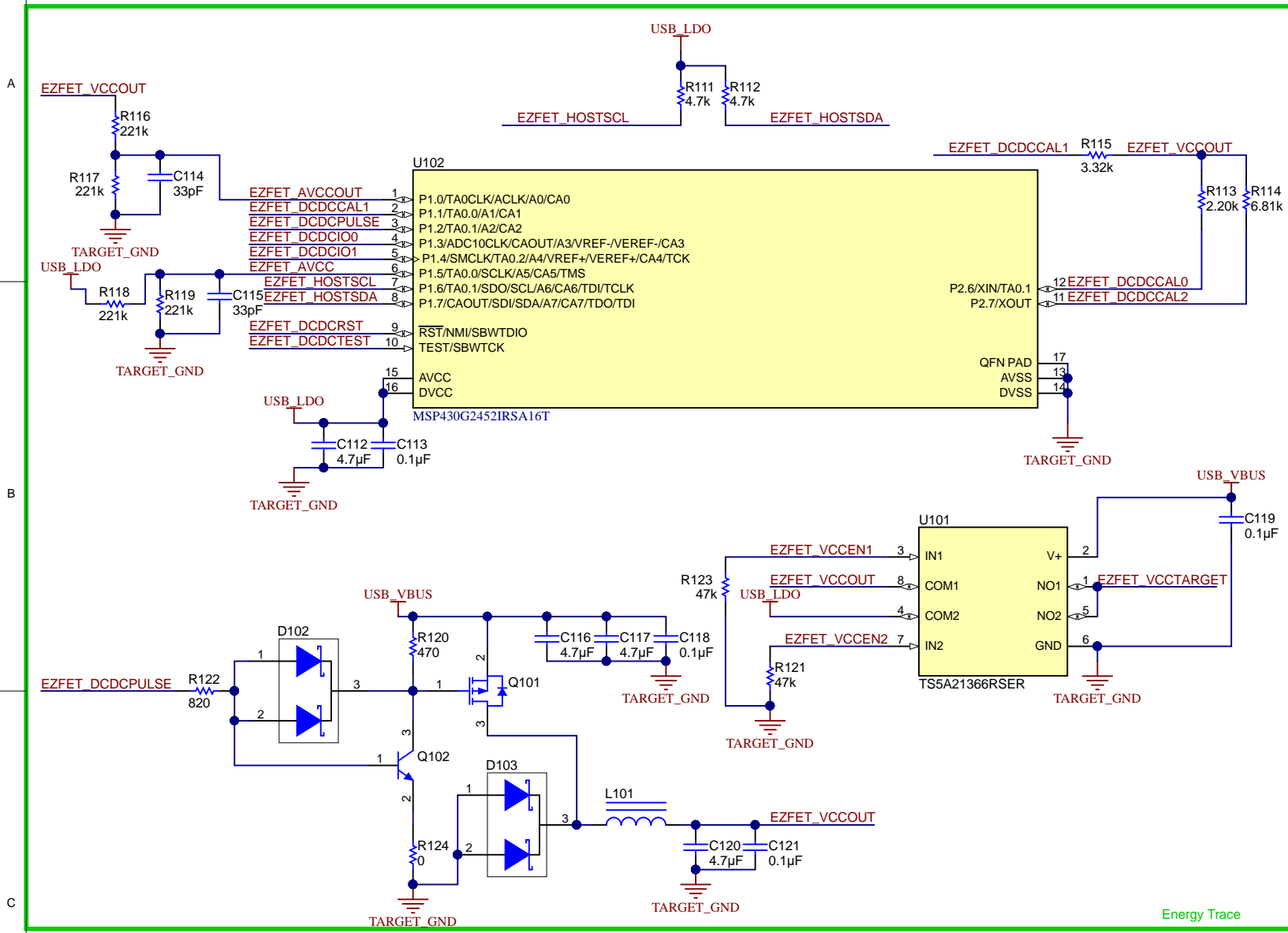
Orderable: EVM430-FR6043	Designed for: Public Release	Mod. Date: 5/7/2018
TID #: N/A	Project Title: EVM430-FR6043	
Number: MCU050	Rev: A	Sheet Title:
SVN Rev: Version control disabled	Assembly Variant: 001	Sheet: 4 of 7
Drawn By:	File: MCU050A_HID_Bridge.SchDoc	Size: B
Engineer: D. Garcia	Contact: http://www.ti.com/support	





Texas Instruments and/or its licensors do not warrant the accuracy or completeness of this specification or any information contained therein. Texas Instruments and/or its licensors do not warrant that this design will meet the specifications, will be suitable for your application or fit for any particular purpose, or will operate in an implementation. Texas Instruments and/or its licensors do not warrant that the design is production worthy. You should completely validate and test your design implementation to confirm the system functionality for your application.

MSP430F5528 EZFET-LITE



Texas Instruments and/or its licensors do not warrant the accuracy or completeness of this specification or any information contained therein. Texas Instruments and/or its licensors do not warrant that this design will meet the specifications, will be suitable for your application or fit for any particular purpose, or will operate in an implementation. Texas Instruments and/or its licensors do not warrant that the design is production worthy. You should completely validate and test your design implementation to confirm the system functionality for your application.

H1 SJ-5303 (CLEAR) H2 SJ-5303 (CLEAR) H3 SJ-5303 (CLEAR) H4 SJ-5303 (CLEAR)

Logo1
PCB
LOGO
Texas Instruments

Logo2
PCB
LOGO
FCC disclaimer

Logo4
PCB
LOGO
WEEE logo

PCB Number: MCU050
PCB Rev: A

FID1
DNP
Fiducial

FID2
DNP
Fiducial

FID3
DNP
Fiducial

LOGO3
CE Mark

SH-J1 SH-J2 SH-J3 SH-J4 SH-J5 SH-J6 SH-J7 SH-J8 SH-J9 SH-J10 SH-J11 SH-J12 SH-J13 SH-J14 SH-J15 SH-J16 SH-J17 SH-J18

LBL1
PCB Label
THT-14-423-10
Size: 0.65" x 0.20 "

ZZ1
Label Assembly Note
This Assembly Note is for PCB labels only

ZZ2
Assembly Note
These assemblies are ESD sensitive, ESD precautions shall be observed.

ZZ3
Assembly Note
These assemblies must be clean and free from flux and all contaminants. Use of no clean flux is not acceptable.

ZZ4
Assembly Note
These assemblies must comply with workmanship standards IPC-A-610 Class 2, unless otherwise specified.

Variant/Label Table	
Variant	Label Text
001	EVM430-FR6043

Texas Instruments and/or its licensors do not warrant the accuracy or completeness of this specification or any information contained therein. Texas Instruments and/or its licensors do not warrant that this design will meet the specifications, will be suitable for your application or fit for any particular purpose, or will operate in an implementation. Texas Instruments and/or its licensors do not warrant that the design is production worthy. You should completely validate and test your design implementation to confirm the system functionality for your application.

Orderable: EVM430-FR6043	Designed for: Public Release	Mod. Date: 5/30/2018
TID #: N/A	Project Title: EVM430-FR6043	
Number: MCU050	Rev: A	Sheet: 7 of 7
SVN Rev: Version control disabled	Assembly Variant: 001	Size: B
Drawn By: Michael Schneider	File: MCU050A_EVM430-FR6043_HW.SchDoc	Contact: http://www.ti.com/support
Engineer: D. Garcia		



IMPORTANT NOTICE AND DISCLAIMER

TI PROVIDES TECHNICAL AND RELIABILITY DATA (INCLUDING DATASHEETS), DESIGN RESOURCES (INCLUDING REFERENCE DESIGNS), APPLICATION OR OTHER DESIGN ADVICE, WEB TOOLS, SAFETY INFORMATION, AND OTHER RESOURCES "AS IS" AND WITH ALL FAULTS, AND DISCLAIMS ALL WARRANTIES, EXPRESS AND IMPLIED, INCLUDING WITHOUT LIMITATION ANY IMPLIED WARRANTIES OF MERCHANTABILITY, FITNESS FOR A PARTICULAR PURPOSE OR NON-INFRINGEMENT OF THIRD PARTY INTELLECTUAL PROPERTY RIGHTS.

These resources are intended for skilled developers designing with TI products. You are solely responsible for (1) selecting the appropriate TI products for your application, (2) designing, validating and testing your application, and (3) ensuring your application meets applicable standards, and any other safety, security, or other requirements. These resources are subject to change without notice. TI grants you permission to use these resources only for development of an application that uses the TI products described in the resource. Other reproduction and display of these resources is prohibited. No license is granted to any other TI intellectual property right or to any third party intellectual property right. TI disclaims responsibility for, and you will fully indemnify TI and its representatives against, any claims, damages, costs, losses, and liabilities arising out of your use of these resources.

TI's products are provided subject to TI's Terms of Sale (www.ti.com/legal/termsofsale.html) or other applicable terms available either on ti.com or provided in conjunction with such TI products. TI's provision of these resources does not expand or otherwise alter TI's applicable warranties or warranty disclaimers for TI products.

Mailing Address: Texas Instruments, Post Office Box 655303, Dallas, Texas 75265
Copyright © 2019, Texas Instruments Incorporated