

IP Video Phone Solution

Benefits

- H.264 Video support for higher quality video calls within smaller bandwidth requirements
- Multi-way call support without the need of a bridge
- Complete software application integrating all major functionality for IP video telephony
- Application-specific development platform to accelerate time to market



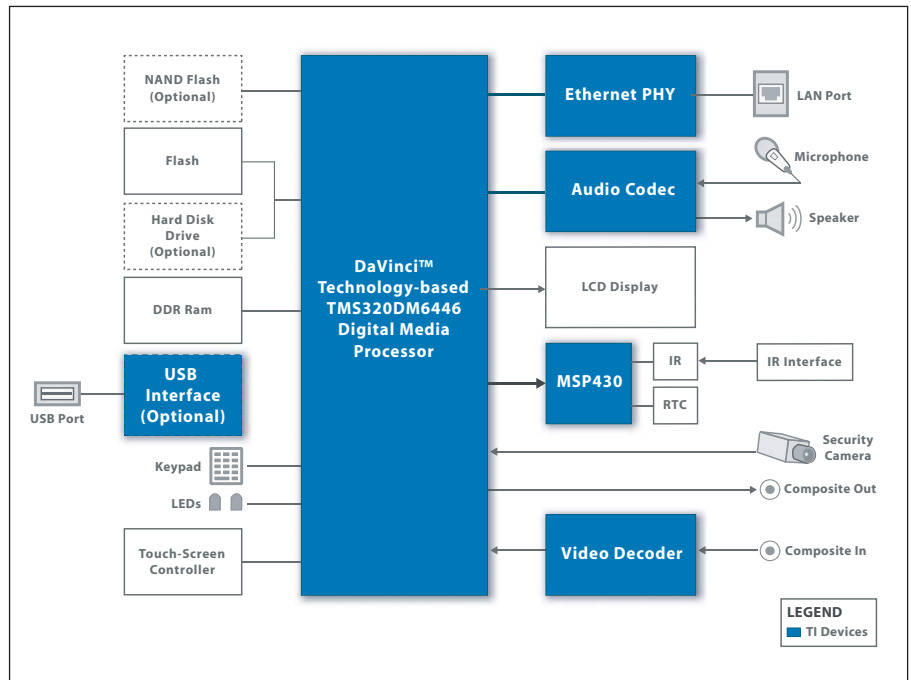
Target Applications

- Standalone IP Video Phone
- Set-Top Box with Video Phone capability
- PC accessory for Video Phone applications



The Ittiam IPVP6446 video phone reference design provides a complete software solution and application-specific reference platform for high-performance video telephony. Leveraging the performance of the TMS320DM6446 DaVinci™-based processor, the design utilizes the latest video compression technologies, including H.264, H.263 and MPEG4, and delivers multi-way personal conferencing.

System Example: IP Video Phone Solution



IP Video Phone Solution

Functional Description

| |
|---|
| <ul style="list-style-type: none">• Full duplex audio and video |
| <ul style="list-style-type: none">• Hands-free speaker phone |
| <ul style="list-style-type: none">• Multi-way personal video and audio conferencing |
| <ul style="list-style-type: none">• Supports multiple video coding standards including H.263, MPEG4 and H.264 |
| <ul style="list-style-type: none">• The relatively high processing overhead of H.264 harnessed through optimal innovative implementation on the DSP including four patent-pending ideas |
| <ul style="list-style-type: none">• Supports multiple video resolutions at natural video frame rate |
| <ul style="list-style-type: none">• Supports wide range of speech coding standards covering both narrow and wide band scenarios |
| <ul style="list-style-type: none">• Supports SIP |
| <ul style="list-style-type: none">• Fully integrated hardware and software solution |
| <ul style="list-style-type: none">• Reference designs with built-in speaker and microphone, TFT color LCD and CCD camera with audio and video connections to interface to external TV or camera |
| <ul style="list-style-type: none">• IP Connectivity with Ethernet and Wireless LAN interfaces |



Contact Information for Questions/Support

To purchase this solution or for more information, please contact Siddharth Sinha at siddharth.sinha@ittiam.com

Component Selection

| | | |
|-----------------|-------------------|----------|
| DSP | TMS320DM6446 | TI |
| DDR RAM | MT47H64M16BT-5E:A | Micron |
| NOR Flash | AM29LV256MH123REI | AMD |
| NAND Flash | K9K1208Q0C-GCB0 | Samsung |
| Video Decoder | TVP5146 | TI |
| Audio Codec | TLV320AIC33IRGZ | TI |
| Ethernet PHY | LXT971ALE | National |
| Buck Converter | TPS54310 | TI |
| Microcontroller | MSP430 | TI |

Hardware

- Processor: DaVinci™-based TMS320DM644x from Texas Instruments
- Audio/Video Interfaces
 - Built-in speaker and microphone
 - Microphone and line in
 - Headphone and line out
 - Composite video in and composite and component video out
 - VGA TFT LCD display
 - CCD camera with composite video
 - SPDIF optical out
- Communication Interfaces
 - 10/100 Base-T Ethernet port with Ethernet switch
 - WLAN through VLYNQ™ interface
 - High-speed USB master and slave
- Storage Media Interface
 - HDD
 - SD/MMC
 - Smart Card
- System Interfaces
 - Keypad
 - Touch screen
 - Remote control
 - UART port
 - JTAG port

Software

- Video Codecs
 - H.264 Base Profile
 - H.263 Profile 0
 - MPEG4 Simple Profile
- Speech Codecs
 - Narrow Band: G.711, G.723.1A, G.729AB
 - Wideband: G.722.1
- Multi-way Conferencing

- Post Processing Components
 - De-blocking filters for MPEG4 and H.263
 - Scaler
 - Compositor with alpha blending and chroma keying support
- Application-Specific Framework
 - Specific functions handled by modules/sub-systems plugged into the framework
 - Modules interconnected through well-defined APIs
 - Open architecture
 - Framework is abstracted from operating system and hardware
- Telephony Functions
 - Acoustic Echo Canceller with configurable echo tail lengths, rapid convergence and robust double talk detection for hands-free speaker phone operation
 - DTMF tone generator and detector
 - Call Progress Tones generator and detector
 - Voice Activity detection
 - Comfort Noise generation
 - Time Scale modification
 - Caller identification
- Call Control Functions
 - Based on SIP. Designed to be integrated with third-party SIP stacks
 - User Agent provided with session management, negotiation support for codecs, conferencing and handling of multiple calls
 - Compliant to related RFCs
 - NAT and STUN support
- Networking Support
 - Adaptive Jitter Buffers for audio and video
 - RTP/RTCP
 - TCP and UDP over IP
 - FTP and DHCP

Getting Started

Tools

IPVP6446 Application-Specific Development platform—contact Ittiam directly for licensing information

Documentation

All relevant technical documentation is available from Ittiam