

Power Management for Precision Analog



Introduction

Texas Instruments (TI) makes high-performance precision analog devices, including precision data converters and operational amplifiers. To preserve signal accuracy and integrity, these devices require power supplies with high-bandwidth power-supply ripple rejection (PSRR), very low internal noise and high efficiency. The following low-dropout linear regulators (LDOs) and DC/DC converters are just some of TI's ideal solutions for powering precision analog applications.

Low-Noise, High-PSRR LDOs

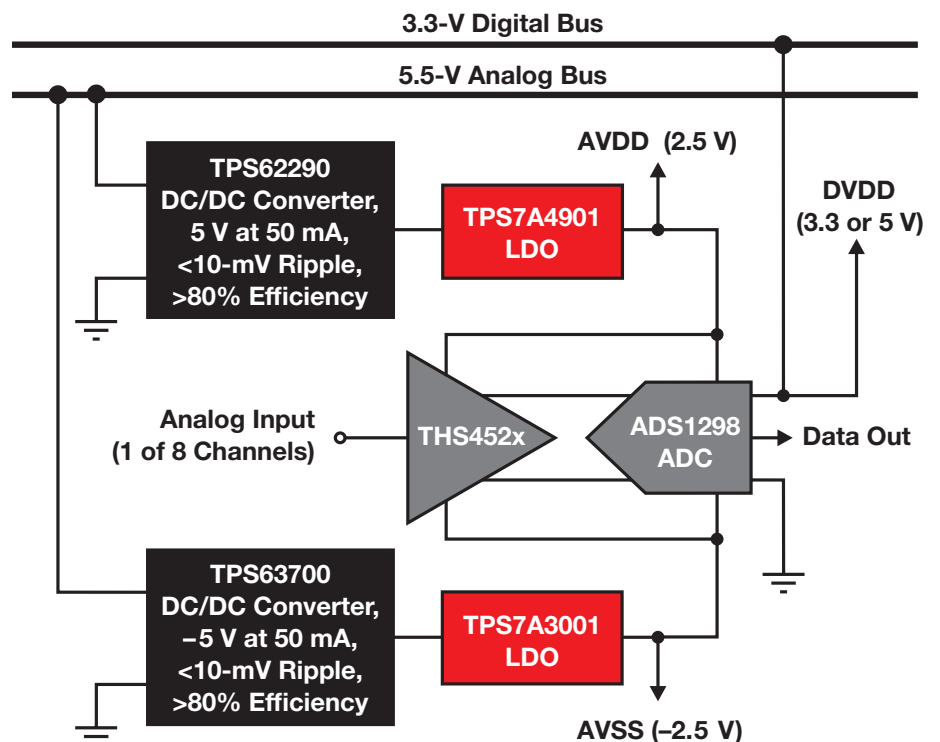
TPS7A3xxx/TPS7A4xxx

The negative-voltage TPS7A3001 LDO, when paired with the positive-voltage TPS7A4901 LDO, provides designers with a total solution for powering precision analog applications. These LDOs feature ultra-high PSRR performance with output noise as low as $16 \mu\text{V}_{\text{rms}}$ and are designed to power noise-sensitive applications such as op amps, ADCs, DACs and other high-performance analog circuitry. TI offers another version of these LDOs, the TPS7A3301/4801, which have an output current of 1 A.

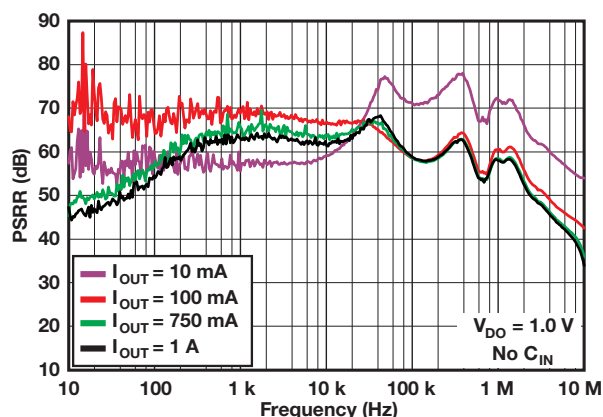
TPS7A8001

The TPS7A8001 is an LDO that offers very high PSRR at the output. This LDO uses an advanced BiCMOS process and a pMOSFET pass device to achieve very low noise and excellent transient response.

ADC and Op Amp Powered by Low-Noise LDOs



TPS7A8001 Wide-Bandwidth PSRR



High-Efficiency DC/DC Converters

TPS63700

The TPS63700 is a high-efficiency inverting DC/DC converter generating a negative V_{OUT} down to -15 V with an I_{OUT} of up to 360 mA. The TPS63700 can be directly powered from a Li-Ion battery or a 3-cell NiMH/NiCd battery.

TPS62290

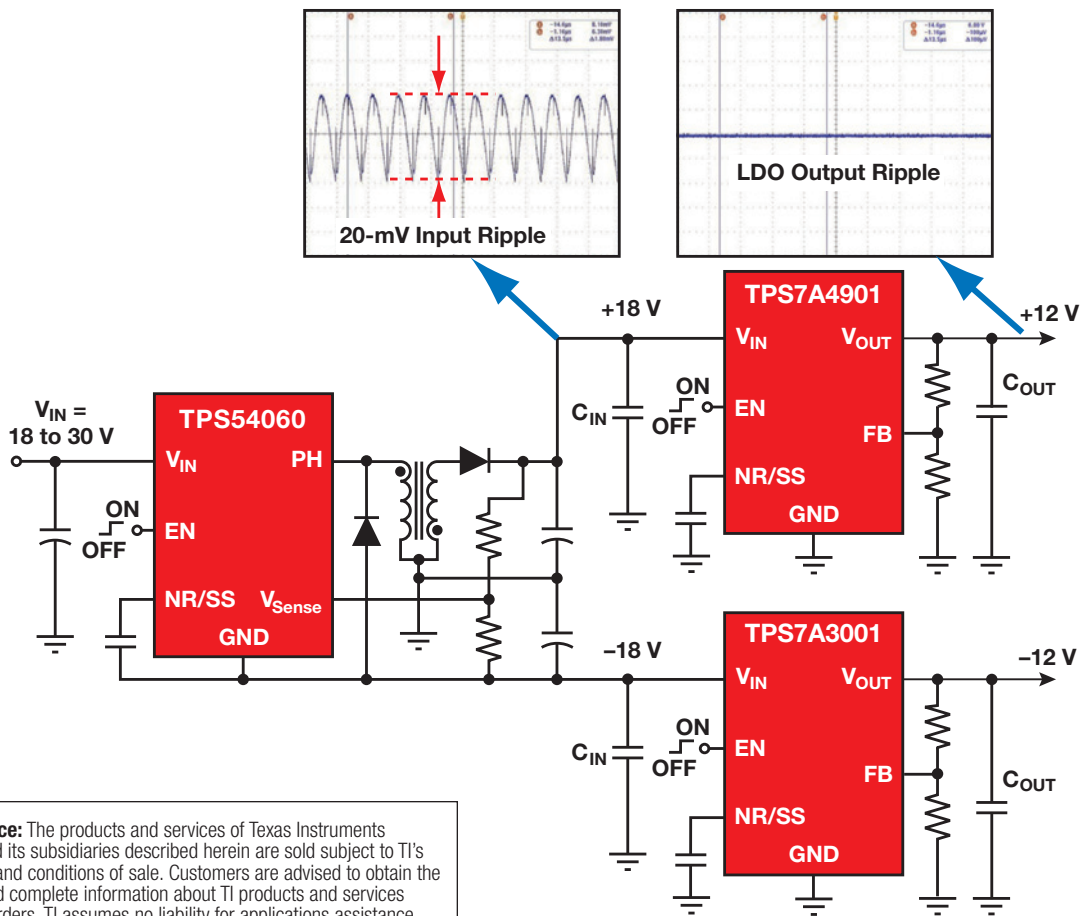
The TPS62290 is a highly efficient synchronous step-down DC/DC converter optimized for battery-powered portable applications. It provides an I_{OUT} of up to 1 A from a single Li-Ion cell.

Visit www.ti.com/lldo

Device	Type	V_{IN}		V_{OUT}		I_{OUT} (max) (mA)	PSRR
		(min) (V)	(max) (V)	(min) (V)	(max) (V)		
TPS7A3001	LDO	-36	-3	-33	-1.2	-200	72 dB at 120 Hz
TPS7A3301	LDO	-36	-3	-34	-1.2	1000	65 dB at 1 kHz
TPS7A4901	LDO	3	36	1.2	33	150	72 dB at 120 Hz
TPS7A4801	LDO	3	36	1.2	34	1000	63 dB at 1 kHz
TPS7A8001	LDO	2.2	6.5	0.8	6	1000	63 dB at 1 kHz; 57 dB at 100 kHz
TPS65130/1	DC/DC converter	2.7	5.5	-15	15	200 (typ)	—
TPS63700	DC/DC converter	2.7	5.5	-15	-2	360	—
TPS62065	DC/DC converter	2.9	6	0.8	6	2000	—
TPS62290	DC/DC converter	2.3	6	0.6	6	1000	—
TPS62150	DC/DC converter	3	17	1.2	16	1000	—
TPS62140	DC/DC converter	3	17	1.2	16	2000	—
TPS54160	DC/DC converter	3.5	60	0.8	58	1500	—
TPS54060	DC/DC converter	3.5	60	0.8	58	500	—

Preview products are listed in **bold blue**

TI's Reference Design for Noise-Sensitive and Precision Applications



Important Notice: The products and services of Texas Instruments Incorporated and its subsidiaries described herein are sold subject to TI's standard terms and conditions of sale. Customers are advised to obtain the most current and complete information about TI products and services before placing orders. TI assumes no liability for applications assistance, customer's applications or product designs, software performance, or infringement of patents. The publication of information regarding any other company's products or services does not constitute TI's approval, warranty or endorsement thereof.

Order or download this reference design at www.ti.com/PMP5863

The platform bar is a trademark of Texas Instruments. All other trademarks are the property of their respective owners.

IMPORTANT NOTICE

Texas Instruments Incorporated and its subsidiaries (TI) reserve the right to make corrections, modifications, enhancements, improvements, and other changes to its products and services at any time and to discontinue any product or service without notice. Customers should obtain the latest relevant information before placing orders and should verify that such information is current and complete. All products are sold subject to TI's terms and conditions of sale supplied at the time of order acknowledgment.

TI warrants performance of its hardware products to the specifications applicable at the time of sale in accordance with TI's standard warranty. Testing and other quality control techniques are used to the extent TI deems necessary to support this warranty. Except where mandated by government requirements, testing of all parameters of each product is not necessarily performed.

TI assumes no liability for applications assistance or customer product design. Customers are responsible for their products and applications using TI components. To minimize the risks associated with customer products and applications, customers should provide adequate design and operating safeguards.

TI does not warrant or represent that any license, either express or implied, is granted under any TI patent right, copyright, mask work right, or other TI intellectual property right relating to any combination, machine, or process in which TI products or services are used. Information published by TI regarding third-party products or services does not constitute a license from TI to use such products or services or a warranty or endorsement thereof. Use of such information may require a license from a third party under the patents or other intellectual property of the third party, or a license from TI under the patents or other intellectual property of TI.

Reproduction of TI information in TI data books or data sheets is permissible only if reproduction is without alteration and is accompanied by all associated warranties, conditions, limitations, and notices. Reproduction of this information with alteration is an unfair and deceptive business practice. TI is not responsible or liable for such altered documentation. Information of third parties may be subject to additional restrictions.

Resale of TI products or services with statements different from or beyond the parameters stated by TI for that product or service voids all express and any implied warranties for the associated TI product or service and is an unfair and deceptive business practice. TI is not responsible or liable for any such statements.

TI products are not authorized for use in safety-critical applications (such as life support) where a failure of the TI product would reasonably be expected to cause severe personal injury or death, unless officers of the parties have executed an agreement specifically governing such use. Buyers represent that they have all necessary expertise in the safety and regulatory ramifications of their applications, and acknowledge and agree that they are solely responsible for all legal, regulatory and safety-related requirements concerning their products and any use of TI products in such safety-critical applications, notwithstanding any applications-related information or support that may be provided by TI. Further, Buyers must fully indemnify TI and its representatives against any damages arising out of the use of TI products in such safety-critical applications.

TI products are neither designed nor intended for use in military/aerospace applications or environments unless the TI products are specifically designated by TI as military-grade or "enhanced plastic." Only products designated by TI as military-grade meet military specifications. Buyers acknowledge and agree that any such use of TI products which TI has not designated as military-grade is solely at the Buyer's risk, and that they are solely responsible for compliance with all legal and regulatory requirements in connection with such use.

TI products are neither designed nor intended for use in automotive applications or environments unless the specific TI products are designated by TI as compliant with ISO/TS 16949 requirements. Buyers acknowledge and agree that, if they use any non-designated products in automotive applications, TI will not be responsible for any failure to meet such requirements.

Following are URLs where you can obtain information on other Texas Instruments products and application solutions:

Products

Audio	www.ti.com/audio
Amplifiers	amplifier.ti.com
Data Converters	dataconverter.ti.com
DLP® Products	www.dlp.com
DSP	dsp.ti.com
Clocks and Timers	www.ti.com/clocks
Interface	interface.ti.com
Logic	logic.ti.com
Power Mgmt	power.ti.com
Microcontrollers	microcontroller.ti.com
RFID	www.ti-rfid.com
RF/IF and ZigBee® Solutions	www.ti.com/lprf

Applications

Communications and Telecom	www.ti.com/communications
Computers and Peripherals	www.ti.com/computers
Consumer Electronics	www.ti.com/consumer-apps
Energy and Lighting	www.ti.com/energy
Industrial	www.ti.com/industrial
Medical	www.ti.com/medical
Security	www.ti.com/security
Space, Avionics and Defense	www.ti.com/space-avionics-defense
Transportation and Automotive	www.ti.com/automotive
Video and Imaging	www.ti.com/video
Wireless	www.ti.com/wireless-apps

TI E2E Community Home Page

e2e.ti.com

Mailing Address: Texas Instruments, Post Office Box 655303, Dallas, Texas 75265
Copyright © 2011, Texas Instruments Incorporated