

***THS7002***  
***Programmable-Gain Amplifier***  
***Evaluation Module***

*User's Guide*

## IMPORTANT NOTICE

Texas Instruments and its subsidiaries (TI) reserve the right to make changes to their products or to discontinue any product or service without notice, and advise customers to obtain the latest version of relevant information to verify, before placing orders, that information being relied on is current and complete. All products are sold subject to the terms and conditions of sale supplied at the time of order acknowledgement, including those pertaining to warranty, patent infringement, and limitation of liability.

TI warrants performance of its semiconductor products to the specifications applicable at the time of sale in accordance with TI's standard warranty. Testing and other quality control techniques are utilized to the extent TI deems necessary to support this warranty. Specific testing of all parameters of each device is not necessarily performed, except those mandated by government requirements.

CERTAIN APPLICATIONS USING SEMICONDUCTOR PRODUCTS MAY INVOLVE POTENTIAL RISKS OF DEATH, PERSONAL INJURY, OR SEVERE PROPERTY OR ENVIRONMENTAL DAMAGE ("CRITICAL APPLICATIONS"). TI SEMICONDUCTOR PRODUCTS ARE NOT DESIGNED, AUTHORIZED, OR WARRANTED TO BE SUITABLE FOR USE IN LIFE-SUPPORT DEVICES OR SYSTEMS OR OTHER CRITICAL APPLICATIONS. INCLUSION OF TI PRODUCTS IN SUCH APPLICATIONS IS UNDERSTOOD TO BE FULLY AT THE CUSTOMER'S RISK.

In order to minimize risks associated with the customer's applications, adequate design and operating safeguards must be provided by the customer to minimize inherent or procedural hazards.

TI assumes no liability for applications assistance or customer product design. TI does not warrant or represent that any license, either express or implied, is granted under any patent right, copyright, mask work right, or other intellectual property right of TI covering or relating to any combination, machine, or process in which such semiconductor products or services might be or are used. TI's publication of information regarding any third party's products or services does not constitute TI's approval, warranty or endorsement thereof.

# Preface

---

---

---

---

## ***Related Documentation From Texas Instruments***

- ***THS7002 PROGRAMMABLE-GAIN AMPLIFIER*** (literature number SLOS214) This is the data sheet for the THS7002 amplifier integrated circuit used on the EVM.
- ***THS4001 HIGH-SPEED LOW-POWER OPERATIONAL AMPLIFIER*** (literature number SLOS206) This is the data sheet for the THS4001 amplifier integrated circuit used on the EVM.
- ***PowerPAD™ Thermally Enhanced Package*** (literature number SLMA002) This is the technical brief for the special PowerPAD package in which the THS7002 amplifier IC is supplied.

## ***FCC Warning***

This equipment is intended for use in a laboratory test environment only. It generates, uses, and can radiate radio frequency energy and has not been tested for compliance with the limits of computing devices pursuant to subpart J of part 15 of FCC rules, which are designed to provide reasonable protection against radio frequency interference. Operation of this equipment in other environments may cause interference with radio communications, in which case the user at his own expense will be required to take whatever measures may be required to correct this interference.

## ***Trademarks***

TI is a trademark of Texas Instruments Incorporated.

PowerPAD is a trademark of Texas Instruments Incorporated.



# Contents

---

---

---

<b>1</b>	<b>General Information</b>	<b>1-1</b>
1.1	Features	1-2
1.2	Description	1-2
1.3	Programmable Gain Amplifier Gain Control	1-7
1.4	EVM DIP Switch Functionality	1-9
1.5	EVM Circuit Configuration	1-10
1.6	Using the THS7002 EVM	1-12
1.7	THS7002 EVM Performance	1-13
1.8	General High-Speed Amplifier Design Considerations	1-16
1.9	General PowerPAD™ Design Considerations	1-17
1.10	THS7002 EVM Specifications	1-20
<b>2</b>	<b>Reference</b>	<b>2-1</b>
2.1	THS7002 Programmable-Gain Amplifier EVM Parts List	2-2
2.2	THS7002 EVM Board Layouts	2-3

# Figures

---

---

---

1-1	THS7002 Evaluation Module	1-3
1-2	THS7002 EVM Power Conditioning Schematic Diagram	1-3
1-3	THS7002 EVM Schematic Diagram	1-4
1-4	Simplified PGA Section of the THS7002	1-8
1-5	THS7002 Evaluation Module Block Diagram	1-10
1-6	THS7002 EVM Preamplifier Frequency Response	1-13
1-7	THS7002 EVM Preamplifier Phase Response	1-13
1-8	THS7002 EVM PGA Frequency Response	1-14
1-9	THS7002 EVM PGA Phase Response	1-14
1-10	THS7002 EVM Preamplifier + PGA Frequency Response	1-15
1-11	THS7002 EVM Preamplifier + PGA Phase Response	1-15
1-12	PowerPAD PCB Etch and Via Pattern	1-17
1-13	Maximum Power Dissipation vs Free-Air Temperature	1-18
2-1	THS7002 EVM Component Placement Silkscreen and Solder Pads	2-3
2-2	THS7002 EVM PC Board: Top Assembly	2-4
2-3	THS7002 EVM PC Board: Top Layer	2-4
2-4	THS7002 EVM PC Board: Bottom Layer	2-5

# Tables

---

---

---

1-1	THS7002 EVM PGA Nominal Gain/Attenuation	1-7
1-2	EVM DIP Switch Functionality	1-9
1-3	THS7002 EVM Jumper Settings	1-12
1-4	THS7002 EVM DIP Switch Settings	1-12
2-1	THS7002 Programmable-Gain Amplifier EVM Parts List	2-2

# General Information

---

---

---

---

This chapter details the Texas Instruments (TI™) THS7002 programmable-gain amplifier evaluation module (EVM), SLOP136. It includes a list of EVM features, a brief description of the module illustrated with pictorial and schematic diagrams, EVM specifications, details on configuring, connecting, and using the EVM, and a discussion on high-speed amplifier and PowerPAD package design considerations.

<b>Topic</b>	<b>Page</b>
<b>1.1 Features</b> .....	<b>1–2</b>
<b>1.2 Description</b> .....	<b>1–2</b>
<b>1.3 Programmable Gain Amplifier Gain Control</b> .....	<b>1–7</b>
<b>1.4 EVM DIP Switch Functionality</b> .....	<b>1–9</b>
<b>1.5 EVM Circuit Configuration</b> .....	<b>1–10</b>
<b>1.6 Using The THS7002 EVM</b> .....	<b>1–12</b>
<b>1.7 THS7002 EVM Performance</b> .....	<b>1–13</b>
<b>1.8 General High-Speed Amplifier Design Considerations</b> .....	<b>1–16</b>
<b>1.9 General PowerPAD™ Design Considerations</b> .....	<b>1–17</b>
<b>1.10 THS7002 EVM Specifications</b> .....	<b>1–20</b>

## 1.1 Features

THS7002 programmable-gain amplifier EVM features include:

- Multiple Input Configurations Set Via On-board Jumpers
- DIP Switches Allow Quick and Easy Adjustment of Gain, Shut Down, Reference Voltage, and Output Clamping
- Includes a THS4001 High-Speed Amplifier as an Inverter
- Standard BNC Connectors Inputs and Outputs
- $\pm 5\text{-V}$  to  $\pm 15\text{-V}$  Operation with 5-V Reference Input
- Nominal 50- $\Omega$  Impedance Inputs and Outputs
- Includes Test Points for Easy Digital Control of EVM Circuit Gain and Operating Parameters
- Good Example of PowerPAD Package and High-Speed Amplifier Design and Layout

## 1.2 Description

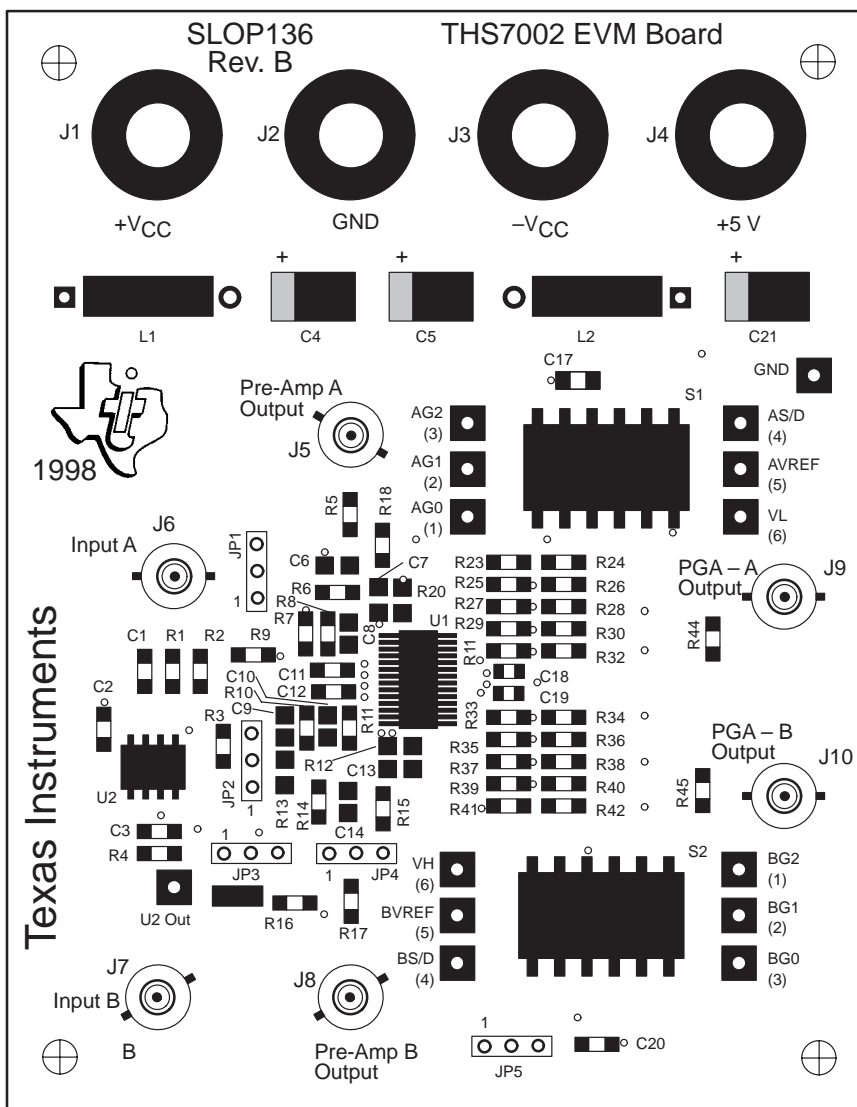
The TI THS7002 programmable-gain amplifier evaluation module (EVM) is a complete dual-channel low-noise receiver and a highly configurable programmable-gain amplifier circuit. It consists of the TI THS7002 Programmable-Gain Amplifier IC, a TI THS4001 high-speed, low-power operational amplifier IC, and a number of passive parts, all mounted on a multilayer circuit board (Figure 1–1).

Although the THS7002 IC was developed primarily for xDSL receiver front-ends, there are a large number of different circuits that can benefit from the many features incorporated into the THS7002. This EVM illustrates a universal design and can be used for numerous system configurations.

The EVM uses standard BNC connectors for inputs and outputs and also includes test points for user connections and testing. It is completely assembled, fully tested, and ready to use — just connect it to power, a signal source, and a load (if desired).

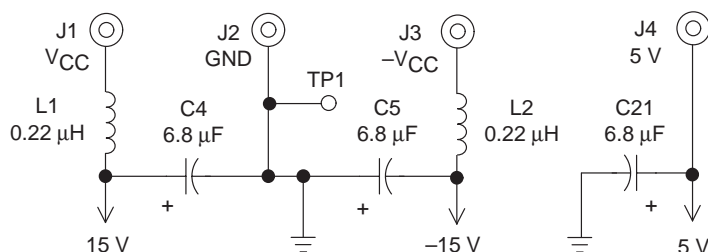


Figure 1–1. THS7002 Evaluation Module



Input power is applied to the EVM through banana jacks J1, J2, J3, and J4. An LC filter on each power bus isolates the EVM circuits from the external supply (Figure 1–2). J4 provides a reference point for numerous circuit functions and draws relatively little current. The schematic for the EVM amplifiers appears in Figure 1–3.

Figure 1–2. THS7002 EVM Power Conditioning Schematic Diagram



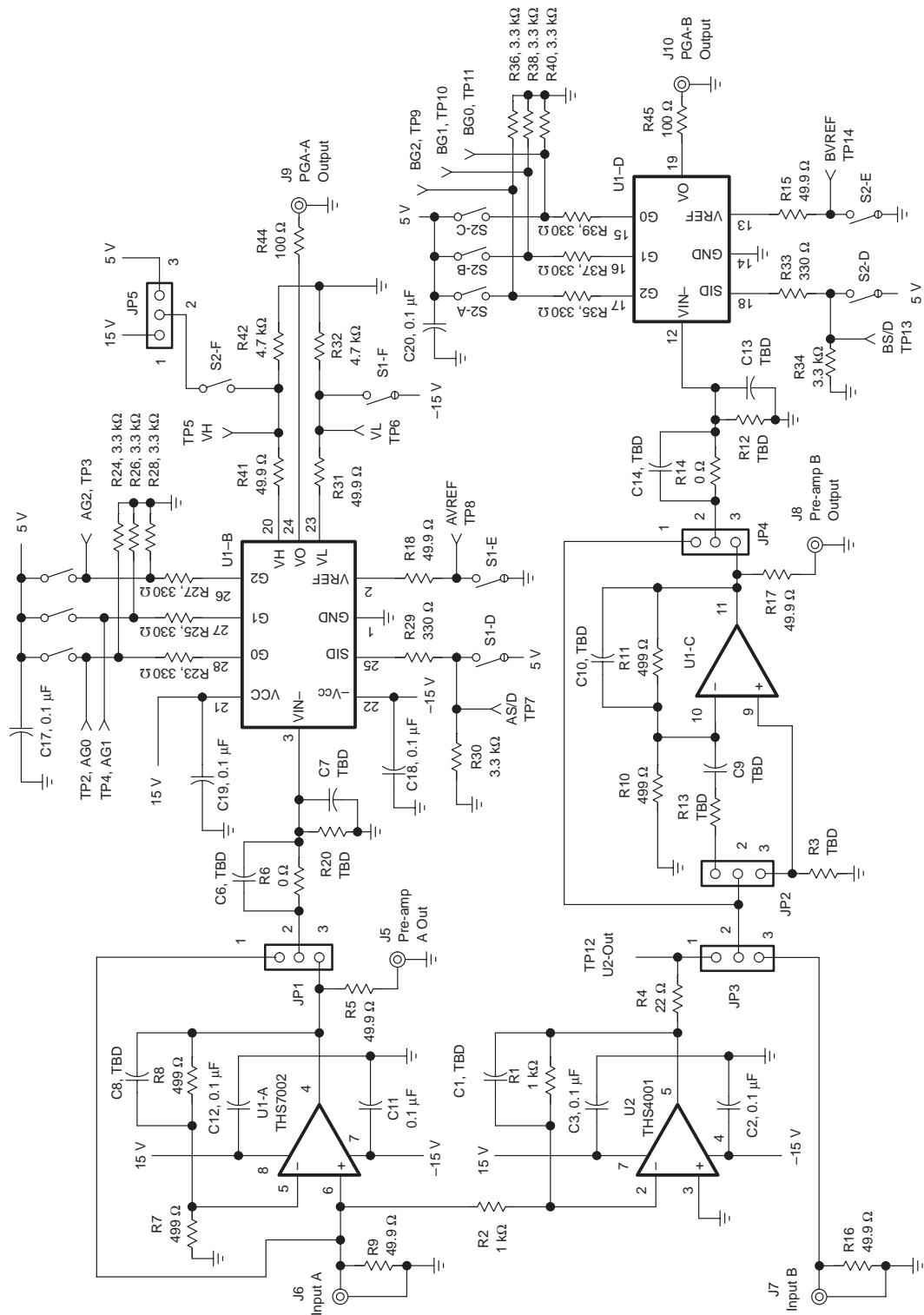


Figure 1-3. THS7002 EVM Schematic Diagram

The THS7002 EVM is equipped with a separate BNC input connector for each of the two channels on the module. Each input is terminated with a 50-Ω resistor to provide correct line impedance matching (Figure 1–3). Note that using a source with a 50-Ω output impedance will create a voltage divider at the EVM inputs. Thus, accurate knowledge of the source output characteristics is required to determine proper input signal amplitudes.

The outputs of the preamplifier stages are routed through 50-Ω resistors to provide proper cable impedance matching and termination impedance matching. One of the drawbacks of using this type of impedance matching is that it places an equivalent 100-Ω load on the output of the preamplifiers. Although the preamplifier sections have a large output current capability, the programmable gain amplifier (PGA) sections have a limited current drive capability. It is recommended that the total impedance placed on the outputs of the PGA section is at least 500 Ω.

The THS4001 IC and the THS7002 IC are voltage feedback amplifiers. They follow the classic operational amplifier gain equations:

$$\text{Inverting Gain} = \frac{-R_F}{R_G} \quad (1)$$

$$\text{Non-Inverting Gain} = 1 + \frac{R_F}{R_G} \quad (2)$$

The gain of these amplifiers can easily be changed to support different applications by changing the resistor ratios. Although any of the components on the EVM board can be replaced with different values, it is imperative that the THS7002 preamplifier gain be kept to a minimum of +2 or –1 for stability purposes. Also, component pads have been placed in convenient locations on the PCB (shown as components with the value X in the schematic) to allow numerous modifications to the basic EVM configuration. However, care must be taken because the surface-mount solder pads on the board are somewhat fragile and will not survive a large number of soldering/desoldering operations.

For single-ended input configurations, a THS4001 is used to invert the incoming signal to drive the second channel of the THS7002. This allows for a single-to-differential analysis of the EVM. However, by simply moving a jumper (JP3) and using the second input BNC connector (J7), a differential source or independent signals can be seen on the outputs.

For independent evaluation of the preamplifiers, BNC connectors directly at the preamplifier output pins (J5 and J8) allow the user to investigate these amplifiers independently of the PGA sections.

The shutdown feature of the THS7002 IC is implemented on this EVM. There is a separate shutdown pin for each half of the THS7002 IC. The shutdown signals are low for normal THS7002 operation. When a shutdown pin is high (5 V), the corresponding preamplifier and PGA section is turned off. Shutdowns on the EVM are controlled by switches S1:D (A channel) and S2:D (B channel), or by applying an external shutdown signal to test-points TP7 (A channel) and TP13 (B channel) with the switches set to **OFF**. Isolation resistors on the THS7002 IC shutdown control input pins are used to minimize surges in the EVM environment and can be omitted in a final system design.

### 1.3 Programmable Gain Amplifier Gain Control

Each channel of the THS7002 IC is provided with three digital control inputs for setting the gain of the PGA stage (AG0 – AG2 and BG0 – BG2). Standard TTL or CMOS Logic signals operate these control inputs. The gain control inputs are not latched and respond to the control signals in real time. Therefore, the control signals on these inputs must remain constant if the PGA gain is to remain constant. For stand-alone evaluation of this function, onboard DIP switches (S1:A to S1:C and S2:A to S2:C) are used to control the gain for each PGA. Note that all DIP switch gain control elements must be set to **OFF** if gain is to be set by digital control signals. For convenience, test points (TP2 – TP4 and TP9 – TP11) are placed on each of these lines to allow easy external connections. There are 330-Ω isolation resistors in series with each IC gain control input pins. These were added only for surge suppression and are not required for actual system design. Nominal gain/attenuation is shown in Table 1–1.

Table 1–1. THS7002 EVM PGA Nominal Gain/Attenuation

G2	G1	G0	PGA Gain (dB)	PGA Gain (V/V)
0	0	0	–22	0.08
0	0	1	–16	0.16
0	1	0	–10	0.32
0	1	1	–4	0.63
1	0	0	2	1.26
1	0	1	8	2.52
1	1	0	14	5.01
1	1	1	20	10

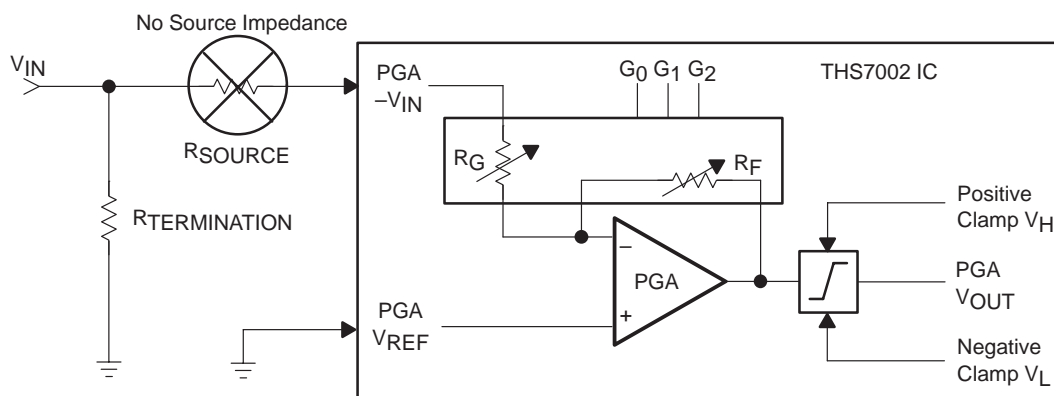
One aspect of the THS7002 PGA signal inputs that must be considered is that there are internal variable resistors (RF and RG) that set the gain. The resistance of RG changes from about 270 Ω (gain = +20 dB) to about 3 kΩ (gain = –22 dB). Therefore, any source impedance at the input to the PGA amplifiers will cause a gain error to be seen at the output. A buffer/amplifier is highly recommended to directly drive the input of the PGA section to help minimize this effect.

Another consideration is that when each amplifier VREF is connected to ground, the internal RG resistor is connected to a virtual ground. Therefore, if a termination resistor is used on the source side, the total terminating resistance is the parallel combination of the terminating resistance and the internal RG resistor. This, in conjunction with the series impedance problem mentioned previously, can potentially cause a voltage mismatch between the output of a 50-Ω source and the expected PGA output voltage.

These points are illustrated by the following formula and in the simplified diagram of the THS7002 PGA section shown in Figure 1–4.

$$R_{\text{TOTALTERMINATION}} = \frac{R_{\text{TERMINATION}} \times (R_{\text{SOURCE}} + R_{\text{G}})}{R_{\text{TERMINATION}} + (R_{\text{SOURCE}} + R_{\text{G}})} \quad (3)$$

Figure 1–4. Simplified PGA Section of the THS7002



The PGA VREF terminals are also accessible via test points TP8 and TP14. Typically, the DIP switches are used to keep this point at ground. If a voltage is applied to this terminal, then the output of the PGA section will amplify the applied reference voltage by one plus the selected gain. Thus, the output gain due only to VREF will be from +0.6 dB to +21 dB according to the following formula:

$$\left( \frac{V_{OUT}}{V_{REF}} \right) = 20 \times \text{Log}_{10} [1 + (\text{PGA Gain}(V/V))]$$

Typically, the output of the PGA will directly drive an A/D converter. Because of the limited linear input range and saturation characteristics of most ADCs, the PGA outputs incorporate a voltage clamp. Because the internal clamps use the same clamping reference voltages, the outputs of both PGAs are clamped to the same values. These clamps are typically connected to the power supply pins to allow a full output range. However, by setting switch S1:F to **OFF** and setting switch S2:F to **ON**, the outputs will be clamped to either +Vcc or +5V (depending on JP5) and ground. The outputs can be further limited by applying an external reference voltage to test points TP5 (VH) and TP6 (VL). The accuracy of this clamp is dependant on the amount of current flowing through the internal clamping diodes. As is typical with all diodes, the voltage drop across this diode increases with current. Therefore, the accuracy of the clamp is highly dependant upon the output voltage, the clamping voltage differences, and the output current. The 50-Ω series resistors are placed on this EVM only for surge suppression. In a final system layout, these resistors are not required for proper operation.

## 1.4 EVM DIP Switch Functionality

The THS7002 can be fully evaluated without any external digital control signals applied. This is accomplished through the use of two banks of DIP switches. Each DIP switch bank incorporates six SPST switches labeled A through F. The functionality of each switch is described in Table 1–2.

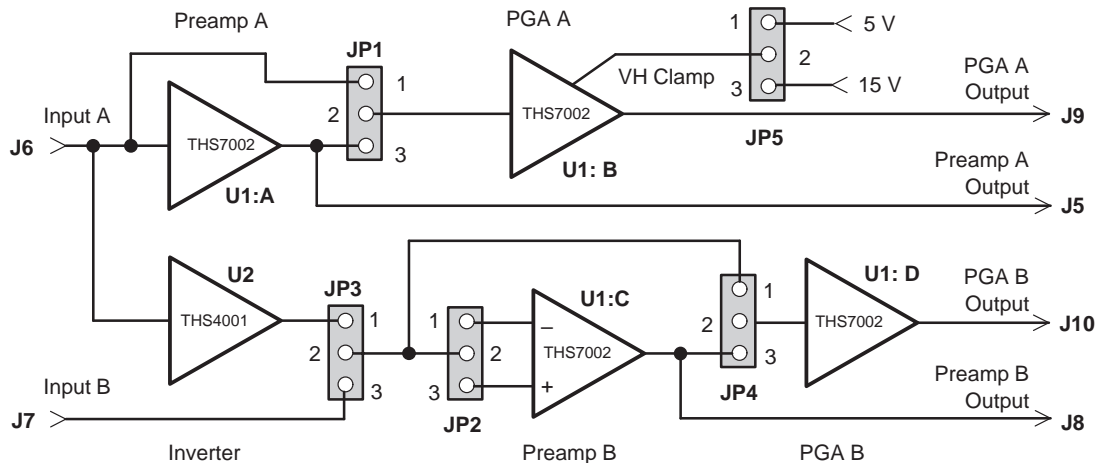
Table 1–2. EVM DIP Switch Functionality

SWITCH	LABEL	POSITION	DESCRIPTION
S1:A	A–G0	0	PGA – A-Channel Gain Bit 0 (LSB): Value = 0 (Low)
		1	PGA – A-Channel Gain Bit 0 (LSB): Value = 1 (High)
S1:B	A–G1	0	PGA – A-Channel Gain Bit 1: Value = 0 (Low)
		1	PGA – A-Channel Gain Bit 1: Value = 1 (High)
S1:C	A–G2	0	PGA – A-Channel Gain Bit 2 (MSB): Value = 0 (Low)
		1	PGA – A-Channel Gain Bit 2 (MSB): Value = 1 (High)
S1:D	A–S/D	0	A-Channel Shutdown: Value = 0 (Low) — A Side Active
		1	A-Channel Shutdown: Value = 1 (High) — A Side Shutdown
S1:E	A–VREF	0	A-Channel VREF Floating (Connect TP8 to Ext. Ref.)
		1	A-Channel VREF Connected to Ground
S1:F	VL	0	Low Side Clamp Ground (Connect TP6 to Ext Ref)
		1	Low Side Clamp Connected to –Vcc
S2:A	B–G2	0	PGA – B-Channel Gain Bit 2 (MSB): Value = 0 (Low)
		1	PGA – B-Channel Gain Bit 2 (MSB): Value = 1 (High)
S2:B	B–G1	0	PGA – B-Channel Gain Bit 1: Value = 0 (Low)
		1	PGA – B-Channel Gain Bit 1: Value = 1 (High)
S2:C	B–G0	0	PGA – B-Channel Gain Bit 0 (LSB): Value = 0 (Low)
		1	PGA – B-Channel Gain Bit 0 (LSB): Value = 1 (High)
S2:D	B–S/D	0	B-Channel Shutdown: Value = 0 (Low) — B Side Active
		1	B-Channel Shutdown: Value = 1 (High) — B Side Shutdown
S2:E	B–VREF	0	B-Channel VREF Floating (Connect TP14 to Ext Ref)
		1	B-Channel VREF Connected to Ground
S2:F	VH	0	High Side Clamp Ground (Connect TP5 to Ext Ref)
		1	High Side Clamp Connected to JP5 (Vcc or 5 V)

## 1.5 EVM Circuit Configuration

The THS7002 EVM design allows evaluation of each section of the THS7002 amplifier IC separately as well as a differential system. Configuration of the EVM is accomplished through jumpers mounted on the module PCB. Each jumper is a three-pin header that acts as an SPDT switch when a shunt is placed across two of the three pins to select either of two signal routes (Figure 1–5).

Figure 1–5. THS7002 Evaluation Module Block Diagram



- Jumper JP1:
  - 1–2 — Connects the input of A-channel PGA (U1: B) to the input A BNC (J6), bypassing the THS7002 A-channel preamplifier (U1:A)
  - 2–3 — Connects the input of A-channel PGA (U1: B) to the output of the A-channel preamplifier (U1:A)
  
- Jumper JP2:
  - 1–2 — Connects the inverting input terminal of the B-channel preamplifier (U1:C) to the signal from JP3 (either the THS4001 inverting amplifier (U2) output or the input B BNC (J7) signal, depending on the setting of JP3). In order to use this functionality, components R3, R13, and C9 must be selected and installed on the EVM by the user
  - 2–3 — Connects the noninverting input terminal of the B-channel preamplifier (U1:C) to the signal from JP3
  
- Jumper JP3:
  - 1–2 — Connects the input of the B-channel preamplifier (U1: C) or the B-channel PGA (U1:D) to the output of the THS4001 inverting amplifier (U2). This signal is an inverted version of the input A BNC (J6) signal
  - 2–3 — Connects the input of the B-channel preamplifier (U1: C) or the B-channel PGA (U1:D) to the input B BNC (J7)



- Jumper JP4:
  - 1–2 — Connects the input of the B-channel PGA (U1: D) to the signal from JP3
  - 2–3 — Connects the input of the B-channel PGA (U1: D) to the output of the B-channel preamplifier (U1:C)
  
- Jumper JP5:
  - 1–2 — Connects the THS7002 IC positive clamp input pin (VH) to Vcc when switch S2:F is set appropriately
  - 2–3 — Connects the THS7002 IC positive clamp input pin (VH) to +5V when switch S2:F is set appropriately

For example, to use a single-ended input and use the preamplifiers as buffers and gain:

- 1) Set JP1 to 2–3
- 2) Set JP2 to 2–3
- 3) Set JP3 to 1–2
- 4) Set JP4 to 2–3
- 5) Apply the input to input A (J6)

The output of the THS7002 PGAs is a differential signal due to the inverter (U2). For either an independent or differential signal source, JP3 should be set to the 2–3 position.

## 1.6 Using the THS7002 EVM

The THS7002 EVM operates from a split power supply with voltages ranging from  $\pm 5$  V to  $\pm 15$  V. It also uses 5 volt logic control signals to configure the operation of the EVM when the DIP switches are used. The use of a single supply for this EVM is not recommended. As shipped, the preamplifiers are set to a gain of 2 and the EVM is configured for a single-ended input that uses the preamplifiers to directly drive the PGA stages. An oscilloscope is typically used to view and analyze the EVM output signals.

- 1) Ensure that all power supplies are set to **OFF** before making power supply connections to the THS7002 EVM.
- 2) Select the operating voltage for the EVM and connect appropriate split power supplies to the banana jacks on the module marked **+V<sub>CC</sub>** (J1) and **-V<sub>CC</sub>** (J3).
- 3) Connect a 5-V power supply to the banana jack marked **+5 V** (J4).
- 4) Connect all power supply grounds to the banana jack marked **GND** (J2).
- 5) Connect an oscilloscope probe to the PGA–A amplifier output BNC (J9). Connecting directly to J9 with a 50- $\Omega$  nominal impedance cable and probe is not recommended. The output drive capability of the PGAs is very limited. Such a connection will load the output excessively, reducing the output voltage range of the amplifier and is not a true measurement of the amplifier performance.
- 6) Set EVM jumpers as shown in Table 1–3.

Table 1–3. THS7002 EVM Jumper Settings

JP1	JP2	JP3	JP4	JP5
2–3	2–3	1–2	2–3	1–2

- 7) Set DIP switch 1 and 2 elements as shown in Table 1–4.

Table 1–4. THS7002 EVM DIP Switch Settings

SWITCH S1	LABEL	POSITION	SWITCH S2	LABEL	POSITION
S1:A	A–G0	0	S2:A	B–G2	1
S1:B	A–G1	0	S2:B	B–G1	0
S1:C	A–G2	1	S2:C	B–G0	0
S1:D	A–S/D	0	S2:D	B–S/D	0
S1:E	A–VREF	1	S2:E	B–VREF	1
S1:F	VL	1	S2:F	VH	1

- 8) Set the power supplies to **ON**.
- 9) Connect a signal input to the **INPUT A** BNC (J6).

Note that each input connector on this EVM is terminated with a 50- $\Omega$  resistor to ground. With a 50- $\Omega$  source impedance, the voltage seen by the THS7002 amplifier IC on the EVM will be  $\frac{1}{2}$  the source signal voltage applied to the EVM input connector.

- 10) Verify the output signal on the oscilloscope using a high-impedance probe — a voltage gain of approximately 2.5 to 1 should be observed.

### 1.7 THS7002 EVM Performance

Figure 1–6 shows the typical frequency response and Figure 1–7 shows the typical phase response of the THS7002 EVM preamplifiers. Typical –3 dB bandwidth with a ±15-V power supply is 100 MHz for the preamplifier in each channel and 90 MHz with a ±5-V power supply.

Figure 1–6. THS7002 EVM Preamplifier Frequency Response

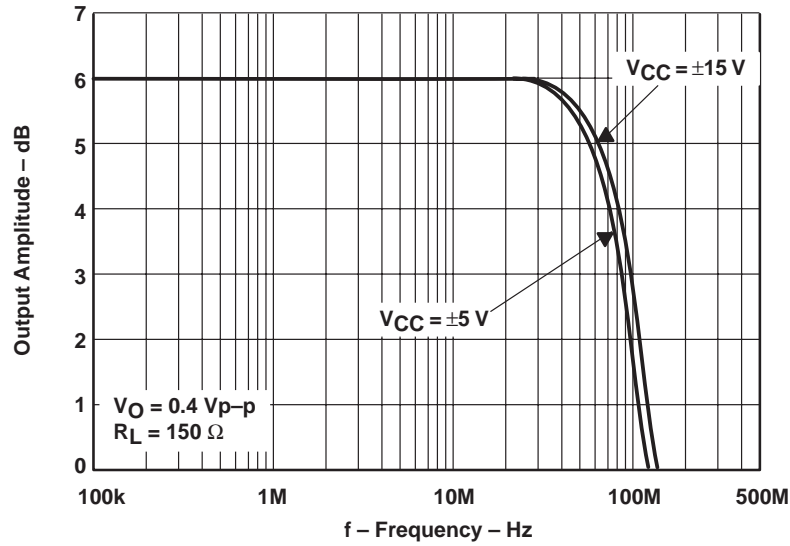


Figure 1–7. THS7002 EVM Preamplifier Phase Response

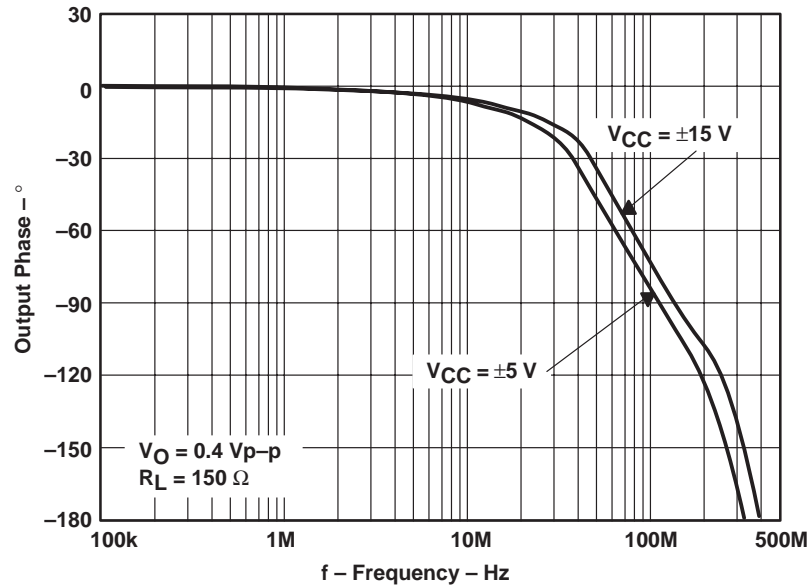


Figure 1–8 shows the typical frequency response and Figure 1–9 shows the typical phase response of the THS7002 EVM PGAs. This data was collected with the gain set to +2 dB. Typical –3 dB bandwidth is 65 MHz with a  $\pm 5$ -V power supply and 70 MHz with a  $\pm 15$ -V power supply.

Figure 1–8. THS7002 EVM PGA Frequency Response

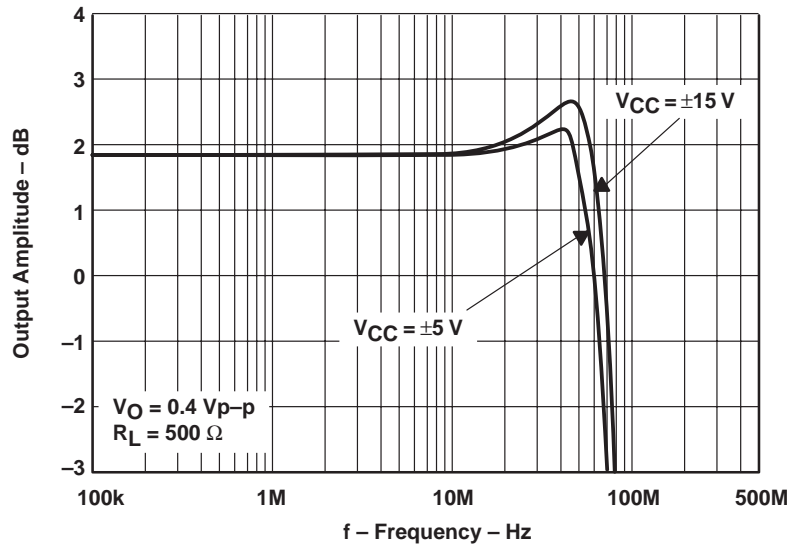


Figure 1–9. THS7002 EVM PGA Phase Response

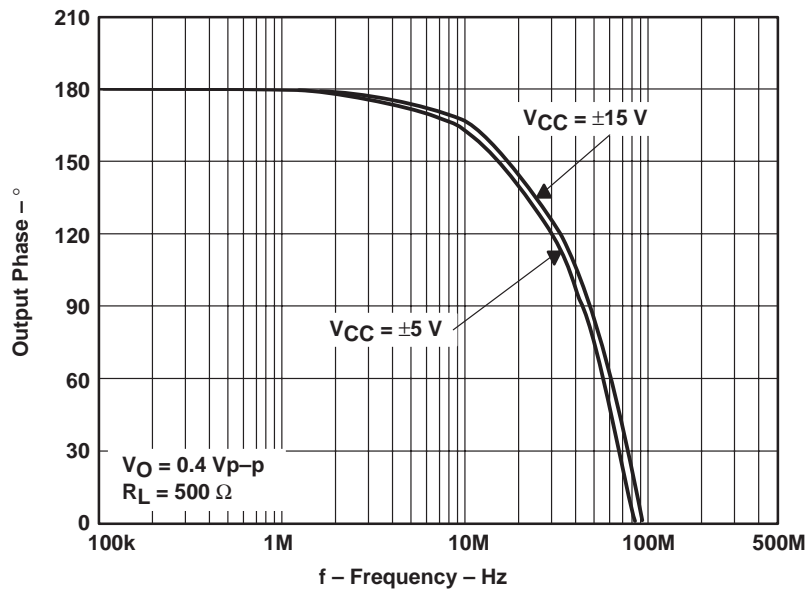


Figure 1–10 shows the typical frequency response and Figure 1–11 shows the typical phase response of the THS7002 EVM preamplifiers + PGAs. This data was collected with the preamplifiers directly driving the PGA inputs. The PGA was set to a gain of +2 dB. Typical –3 dB bandwidth is 65 MHz with a  $\pm 5$ -V power supply and 70 MHz with a  $\pm 15$ -V power supply.

Figure 1–10. THS7002 EVM Preamplifier + PGA Frequency Response

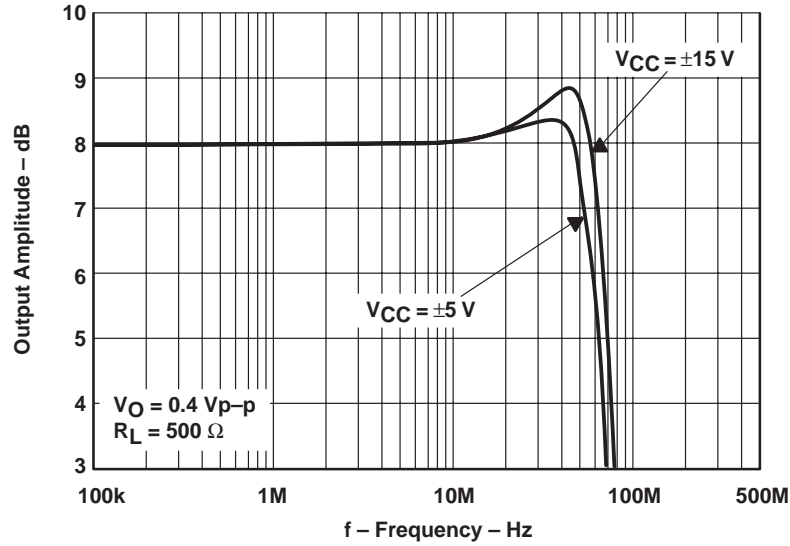
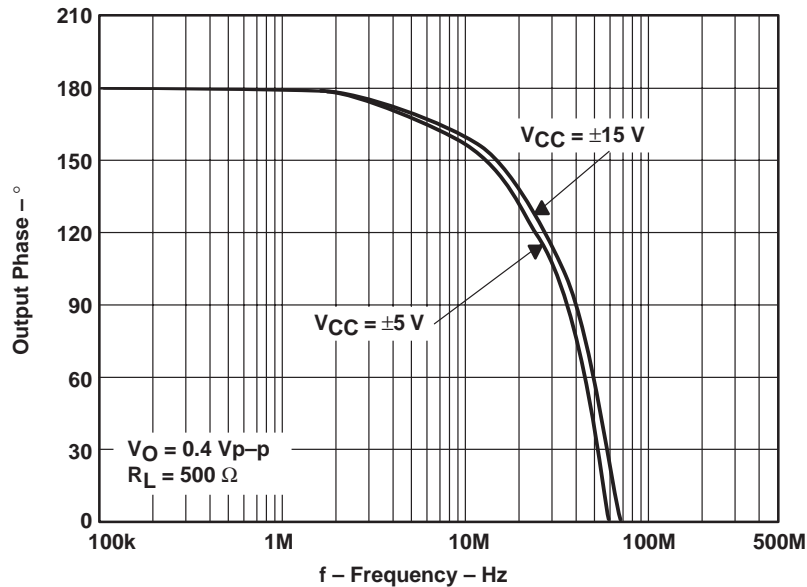


Figure 1–11. THS7002 EVM Preamplifier + PGA Phase Response



## 1.8 General High-Speed Amplifier Design Considerations

The THS7002 EVM layout has been designed and optimized for use with high-speed signals and can be used as an example when designing THS7002 applications. Careful attention has been given to component selection, grounding, power supply bypassing, and signal path layout. Disregard of these basic design considerations could result in less than optimum performance of the THS7002 dual differential line drivers and receivers IC.

Surface-mount components were selected because of the extremely low lead inductance associated with this technology. Also, because surface-mount components are physically small, the layout can be very compact. This helps minimize both stray inductance and capacitance.

Tantalum power supply bypass capacitors (C4, C5, and C21) at the power input pads help supply currents for rapid, large signal changes at the amplifier output. The 0.1  $\mu\text{F}$  power supply bypass capacitors (C2, C3, C11, C12, C18, and C19) were placed as close as possible to the IC power input pins in order to keep the PCB trace inductance to a minimum. This improves high-frequency bypassing and reduces harmonic distortion.

A proper ground plane on both sides of the PCB should always be used with high-speed circuit design. This provides low-inductive ground connections for return current paths. In the area of the preamplifier input pins, however, the ground plane was removed to minimize stray capacitance and reduce ground plane noise coupling into these pins. This is especially important for the inverting pin while the amplifier is operating in the noninverting mode. Because the voltage at this pin swings directly with the noninverting input voltage, any stray capacitance would allow currents to flow into the ground plane, causing possible gain error and/or oscillation. Capacitance variations at the amplifier IC input pin of less than 1 pF can significantly affect the response of the amplifier.

In general, it is always best to keep signal lines as short and as straight as possible. Sharp 90° corners should generally be avoided — round corners or a series of 45° bends should be used, instead. Stripline techniques should also be incorporated when signal lines are greater than 3 inches in length. These traces should be designed with a characteristic impedance of either 50  $\Omega$  or 75  $\Omega$ , as required by the application. Such signal lines should also be properly terminated with an appropriate resistor.

Finally, proper termination of all inputs and outputs should be incorporated into the layout. Unterminated lines, such as coaxial cable, can appear to be a reactive load to the amplifier IC. By terminating a transmission line with its characteristic impedance, the amplifier's load then appears to be purely resistive, and reflections are absorbed at each end of the line. Another advantage of using an output termination resistor is that capacitive loads are isolated from the amplifier output. This isolation helps minimize the reduction in amplifier phase-margin and improves the amplifier stability for improved performance such as reduced peaking and settling times.

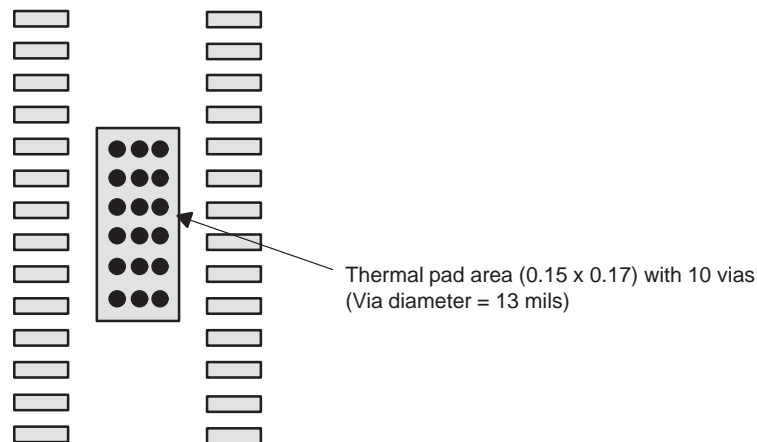
## 1.9 General PowerPAD™ Design Considerations

The THS7002 IC is mounted in a special package incorporating a thermal pad that transfers heat from the IC die directly to the PCB. The PowerPAD package is constructed using a downset leadframe. The die is mounted on the leadframe but is electrically isolated from it. The bottom surface of the lead-frame is exposed as a metal thermal pad on the underside of the package and makes physical contact with the PCB. Because this thermal pad is in direct physical contact with both the die and the PCB, excellent thermal performance can be achieved by providing a good thermal path away from the thermal pad mounting point on the PCB.

Although there are many ways to properly heatsink this device, the following steps illustrate the recommended approach as used on the THS7002 EVM, which is built on a multilayer PCB with an internal ground plane.

- 1) Prepare the PCB with a top side etch pattern as shown in Figure 1–12. There should be etch for the leads as well as etch for the thermal pad.

Figure 1–12. PowerPAD PCB Etch and Via Pattern



- 2) Place 18 holes in the area of the thermal pad. These holes should be 13 mils in diameter. They are kept small so that solder wicking through the holes is not a problem during reflow.
- 3) Additional vias under the package, but outside the thermal pad area, will improve heat transfer but are not required. These holes should be 25 mils in diameter. They may be larger because they are not in the area to be soldered so that wicking is not a problem.
- 4) Connect all holes, the 18 within the thermal pad area and any others outside the pad area, to the internal ground plane.
- 5) When connecting these holes to the ground plane, do **not** use the typical web or spoke via connection methodology. Web connections have a high thermal resistance connection that is useful for slowing the heat transfer during soldering operations. This makes the soldering of vias that have plane connections easier. However, in this application, low thermal resistance is desired for the most efficient heat transfer. Therefore, the holes under the THS7002 package should make their connection to the internal ground plane with a complete connection around the entire circumference of the plated through hole.

- 6) The top-side solder mask should leave exposed the terminals of the package and the thermal pad area with its holes. Any larger holes outside the thermal pad area, but still under the package, should be covered with solder mask.
- 7) Apply solder paste to the exposed thermal pad area and all of the operational amplifier terminals.
- 8) With these preparatory steps in place, the THS7002 is simply placed in position and run through the solder reflow operation as any standard surface-mount component. This results in a part that is properly installed.

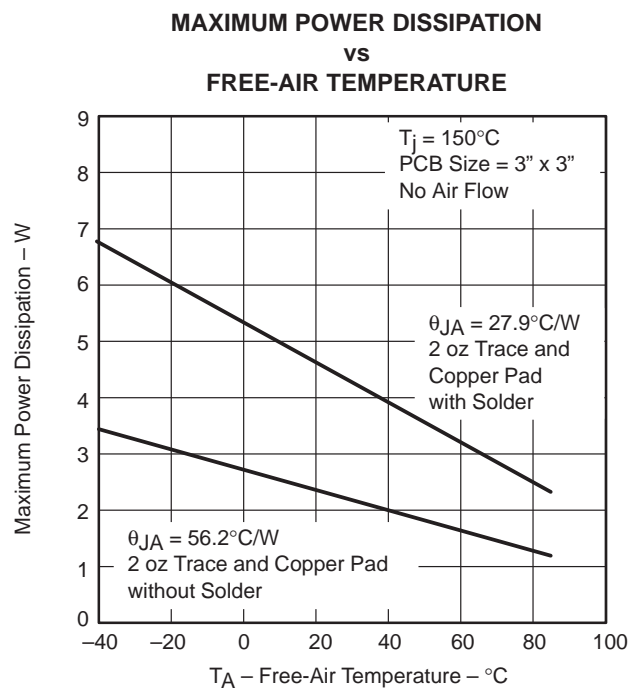
The actual thermal performance achieved with the THS7002 in its PowerPAD package depends on the application. In the example above, if the size of the internal ground plane is approximately 3 inches × 3 inches, then the expected thermal coefficient,  $\theta_{JA}$ , is about 27.8°C/W. For a given  $\theta_{JA}$ , the maximum power dissipation is shown in Figure 1–13 and is calculated by the following formula:

$$P_D = \left( \frac{T_{MAX} - T_A}{\theta_{JA}} \right)$$

Where:

- $P_D$  = Maximum power dissipation of THS7002 (watts)
- $T_{MAX}$  = Absolute maximum junction temperature (150°C)
- $T_A$  = Free-ambient air temperature (°C)
- $\theta_{JA}$  =  $\theta_{JC} + \theta_{CA}$
- $\theta_{JC}$  = Thermal coefficient from die junction to case (0.72 °C/W)
- $\theta_{CA}$  = Thermal coefficient from case to ambient air (°C/W)

Figure 1–13. Maximum Power Dissipation vs. Free-Air Temperature





Even though the THS7002 EVM PCB is different than the one in the example above, the results should give an idea of how much power can be dissipated by the PowerPAD IC package. The THS7002 EVM is a good example of proper thermal management when using PowerPAD-mounted devices.

Correct PCB layout and manufacturing techniques are critical for achieving adequate transfer of heat away from the PowerPAD IC package. More details on proper board layout can be found in the *THS7002 PROGRAMMABLE-GAIN AMPLIFIER* data sheet (SLOS214). For more general information on the PowerPAD package and its thermal characteristics, see the Texas Instruments Technical Brief, *PowerPAD Thermally Enhanced Package* (SLMA002).

### 1.10 THS7002 EVM Specifications

Supply voltage range, $\pm V_{CC}$ .....	$\pm 5$ V to $\pm 15$ V
Supply current, $I_{CC}$ .....	32 mA, typ
Input voltage, $V_I$ .....	$\pm V_{CC}$ , max
Output drive, THS7002 Preamplifiers, $I_O$ .....	90 mA, typ
Output drive, THS7002 PGA, $I_O$ .....	45 mA, typ
Continuous total power dissipation at $T_A = 25^\circ\text{C}$ (THS7002), .....	4.5 W, max

For complete THS7002 amplifier IC specifications and parameter measurement information, and additional application information, see the THS7002 data sheet, TI Literature Number SLOS214.

# Reference

---

---

---

---

---

This chapter includes a parts list and PCB layout illustrations for the THS7002 EVM.

<b>Topic</b>	<b>Page</b>
<b>2.1 THS7002 Dual Differential Line Drivers and Receivers</b>	
<b>EVM Parts List</b> .....	<b>2-2</b>
<b>2.2 THS7002 EVM Board Layouts</b> .....	<b>2-3</b>

## 2.1 THS7002 Programmable-Gain Amplifier EVM Parts List

Table 2–1. THS7002 EVM Parts List

Reference	Description	Size	Qty	Manufacturer/Distributor Part Number
C4, C5, C21	CAPACITOR, 6.8 $\mu$ F, CERAMIC, 20%, TANTALUM, SM		3	(SPRAGUE) 293D685X9035D2T
C2, C3, C11, C12, C17 – C20	CAPACITOR, 0.1 $\mu$ F, CERAMIC, 10%, SM	0805	8	(MuRata) GRM40–X7R104K25
L1, L2	INDUCTOR, 0.22 $\mu$ H AXIAL, THRU HOLE		2	(DELEVAN) DN41221/ (DIGI-KEY) DN41221-ND
J5 – J10	CONNECTOR, BNC 50 OHM VERTICAL PC MOUNT, THRU HOLE		6	(MOUSER) 523–31–5329
J1 – J4	JACK, BANANA RECEPTACLE, FOR 0.025" DIA. HOLE		4	(NEWARK) 35F865
JP1 – JP5	HEADER, 3 PIN, 0.1" CTRS., 0.025" SQ. PINS		5	(DIGI-KEY) S1021–36–5329
P1 – P5	SHORTING JUMPERS, 0.1" CTRS, FOR 0.025" SQ. PINS		5	
SW1, SW2	6PST DIP SWITCH (CTS 219 NST Series Gold Finish)		2	(DIGI-KEY) CT2196MST–ND
R6, R14	RESISTOR, 0 $\Omega$ , 1/8 W, 1% SM	1206	2	
R4	RESISTOR, 22 $\Omega$ , 1/8 W, 1% SM	0805	1	
R15, R18, R31, R41	RESISTOR, 49.9 $\Omega$ , 1/10 W, 1% SM	0805	4	
R5, R9, R16, R17	RESISTOR, 49.9 $\Omega$ , 1/8 W, 1% SM	1206	4	
R44, R45	RESISTOR, 100 $\Omega$ , 1/8 W, 1% SM	1206	2	
R23, R25, R27, R29, R33, R35, R37, R39	RESISTOR, 330 $\Omega$ 1/10 W, 5% SM	0805	8	
R7, R8, R10, R11	RESISTOR, 499 $\Omega$ , 1/10 W, 1% SM	0805	4	
R1, R2	RESISTOR, 1 K $\Omega$ , 1/8 W, 1% SM	1206	2	
R24, R26, R28, R30, R34, R36, R38, R40	RESISTOR, 3.3 K $\Omega$ , 1/10 W, 1% SM	0805	8	
R32, R42	RESISTOR, 4.7 K $\Omega$ , 1/10 W, 1% SM	0805	2	
U1	IC, THS7002CPWP		1	(TI) THS7002CPWP
U2	IC, OP AMP, THS4001CD	SOIC-8	1	(TI) THS4001CD
TP2 – TP14	TEST POINT, (RED)		13	(FARNELL) 240-345
TP1	TEST POINT, (BLACK)		1	(FARNELL) 240-333
R3, R12, R13, R20	RESISTOR, X OHMS, SM <sup>†</sup>	0805	5	
C1, C6 – C10, C13, C14	CAPACITOR, X $\mu$ F, 10% CERAMIC <sup>†</sup>		8	
	4–40 THREAD HEX STANDOFFS 0.625" LENGTH, 0.250" OD		4	(MOUSER) 534–1804
	4–40 THREAD HEX SCREWS		4	
PCB1	PCB, THS7002 EVM SLOP136		1	

<sup>†</sup> The values of these components are to be determined by the user in accordance with the application requirements.

## 2.2 THS7002 EVM Board Layouts

Board layout examples of the THS7002 EVM PCB are shown in the following illustrations. They are not to scale and appear here only as a reference.

Figure 2–1. THS7002 EVM Component Placement Silkscreen and Solder Pads

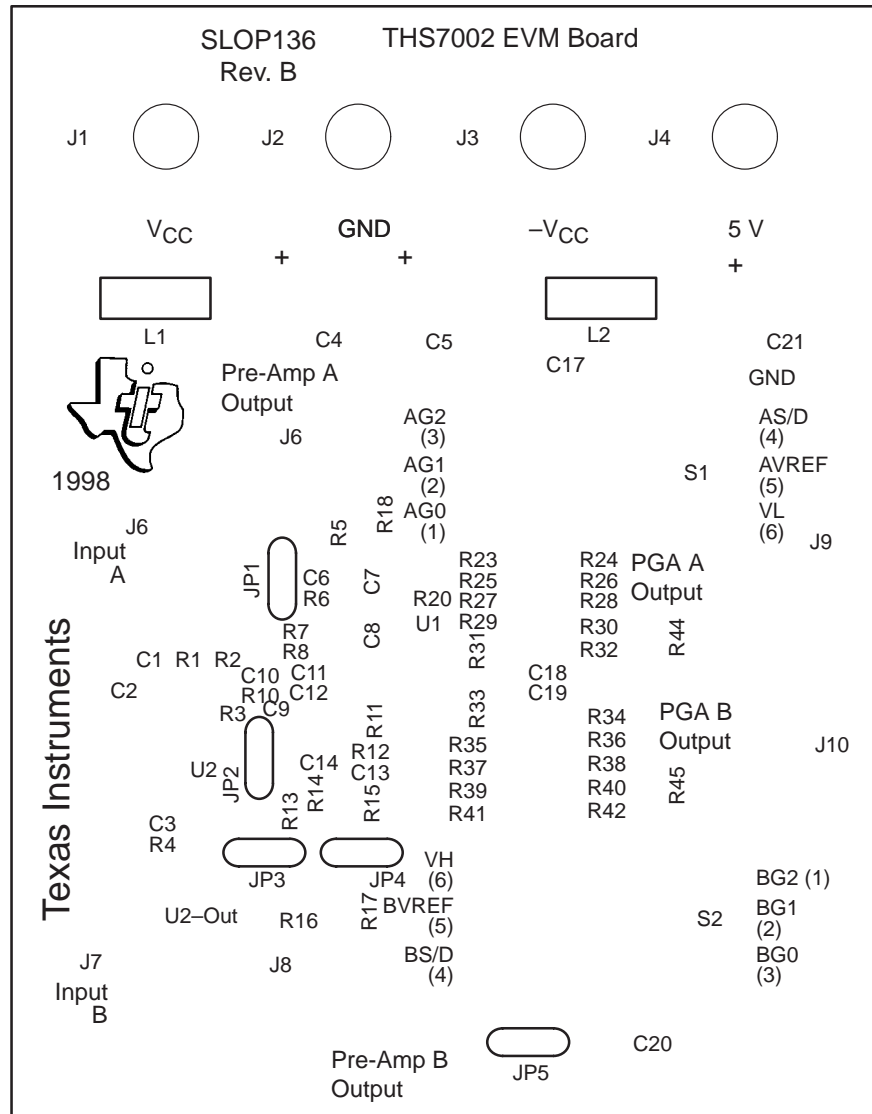


Figure 2–2. THS7002 EVM PC Board: Top Assembly

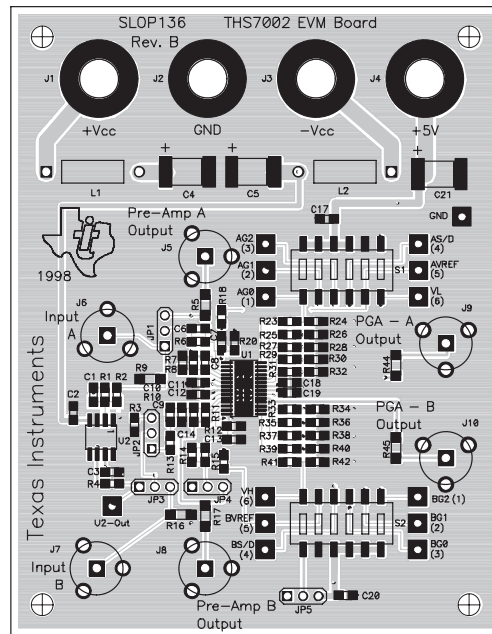


Figure 2–3. THS7002 EVM PC Board: Top Layer

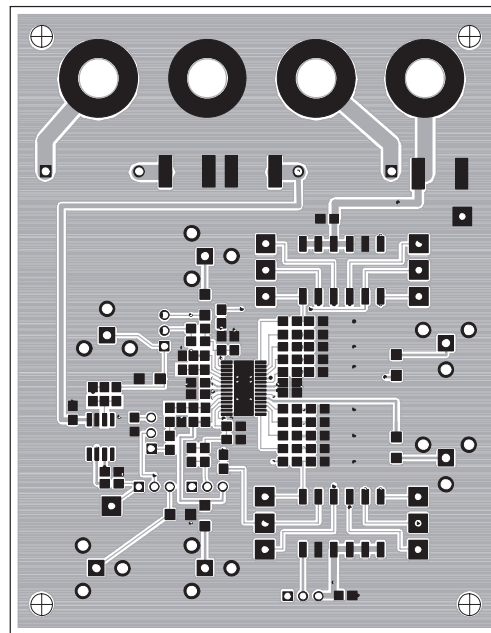


Figure 2–4. THS7002 EVM PC Board: Bottom Layer (Top View)

