

# **DRV8601ZQVEVM ERM/LRA Driver Evaluation Module**

---



---



---

The DRV8601 ERM/LRA driver evaluation module is a complete, low-power and ultra-fast turn-on driver for Eccentric Rotating Mass (ERM) and Linear Resonant Actuator (LRA) types of haptic actuators. All components and the evaluation module are Pb-free. The evaluation module (EVM) consists of a DRV8601ZQV device and all necessary components to evaluate it.

### Contents

1	Introduction .....	1
2	Operation .....	1
3	Reference .....	3
4	Related Documentation From Texas Instruments .....	5

### List of Figures

1	Top Layer .....	3
2	Bottom Layer .....	3
3	DRV8601ZQVEVM Schematic Diagram .....	4

### List of Tables

1	Configuration Settings .....	2
2	DRV8601ZQVEVM Parts List .....	5

## 1 Introduction

This section provides an overview of the Texas Instruments (TI) DRV8601 ERM/LRA driver evaluation module (DRV8601ZQVEVM). It includes a description of the module and a list of EVM specifications.

### 1.1 DRV8601ZQVEVM Specifications

Operation at room temperature assumed.

Supply voltage range, $V_{DD}$	2.5 V to 5.5 V
Power supply current rating required	2.5 A
Input voltage, $V_I$	0 V- $V_{DD}$
Minimum load impedance, $Z_L$	6.4 $\Omega$
Maximum continuous output current	400 mA

## 2 Operation

This section describes how to operate the DRV8601ZQVEVM.

### 2.1 Quick Start for Stand-Alone Operation

Use the following steps when operating the DRV8601ZQVEVM stand-alone or when connecting it to existing circuits or equipment.

### 2.1.1 Initial Configuration

The DRV8601ZQVEVM can be operated in two configurations. For a detailed description of each configuration, see the DRV8601ZQV data sheet.

1. Pseudo-Differential Feedback with Internal Reference - used when  $V_{DD}$  is equal to the maximum IN voltage
2. Differential Feedback with External Reference - used when  $V_{DD}$  is not equal to the maximum IN voltage

Table 1 describes how to modify the DRV8601ZQVEVM for the two configurations. Note that the voltages listed (IN, REFIN, and  $V_{DD}$ ) must be used for proper operation. If alternate voltages are required, see the data sheet to select different passive components.

**Table 1. Configuration Settings**

No.	Configuration	JP1	R4	C4	R5	C5	R1	R2	R6	IN $V_{MAX}$	REFIN	$V_{DD}$
1	Pseudo-Differential Feedback with Internal Reference	2-3	100k	0.01 $\mu F$ <sup>(1)</sup>	DNP	DNP	49.9 k	-	-	3.3V	N/A	3.3V
2	Differential Feedback with External Reference (GAIN = 3.7 V/V)	1-2	100 k	0.01 $\mu F$ <sup>(1)</sup>	100 k	0.01 $\mu F$ <sup>(1)</sup>	27.4 k	53.6 k	53.6 k	1.8 V	1.8V	3.3V

<sup>(1)</sup> Choose C4 to set the corner frequency according to the equation  $f_{3dB} = 1 / (2 \times \pi \times R4 \times C4)$ . For configuration two, choose  $R5 = R4$  and  $C5 = C4$ .

### 2.1.2 Power and Ground

For all three configurations:

1. Set the voltage of an external power supply between 2.5 V and 5.5 V and turn it OFF.
2. Attach the ground connection of the power supply to the GND header pin of the EVM, and then connect the positive supply to the VDD header pin. Verify that the connections are made to the correct header pins.

### 2.1.3 Inputs and Outputs

#### 2.1.3.1 Vibration Input

1. Make sure that the signal source is set to the minimum level.
2. Connect the signal source to the IN header pin on the EVM.
3. Connect the actuator (ERM or LRA) between OUT+ and OUT-.

#### 2.1.3.2 Enable Settings

The DRV8601ZQV has an active high enable pin EN. A high value on this pin places the device in the operating mode, and a low value on this pin places it in the shutdown mode. Press and hold pushbutton S1 to place the DRV8601ZQVEVM in the shutdown mode. Release pushbutton S1 to restart normal operation.

#### 2.1.3.3 Gain Settings

DC gain of the device is given by  $2 \times R4 / R1$  for the pseudo-differential configurations, and  $R4 / R1$  for the differential configuration. R5, when used, must be well matched with R4 for proper performance. The DRV8601ZQVEVM is pre-configured for a pseudo-differential gain of 4 V/V and a differential gain of 2V/V.

## 2.2 Power Up

1. Verify the correct connections as described in Sections 2.1.
2. Verify the voltage setting of the power supply is between 2.5 V and 5.5 V, and turn on the power supply. Proper operation of the EVM begins.
3. Adjust the audio signal source as needed.

- (a) For LRAs, drive a PWM signal at the resonant frequency of the LRA. ensure that the low-pass corner frequency is beyond the resonant frequency of the LRA.
- (b) For ERMs, drive a PWM signal below 30 kHz.

### 3 Reference

This section includes the EVM PCB layout reference, schematic, and parts list.

#### 3.1 DRV8601ZQVEVM PCB Layers

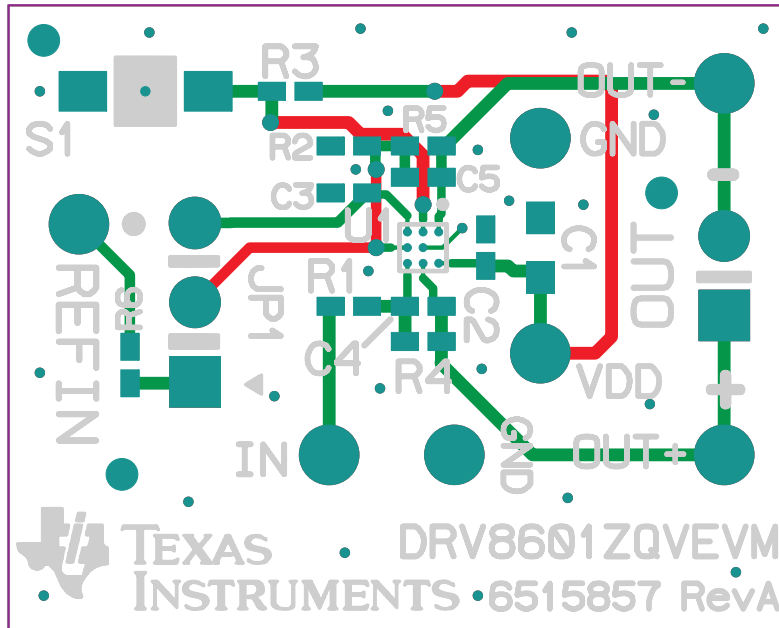


Figure 1. Top Layer

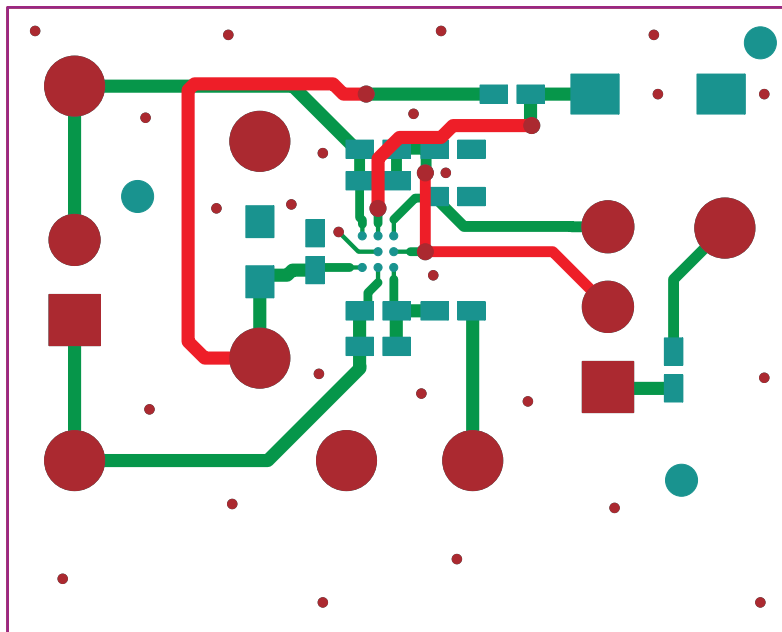


Figure 2. Bottom Layer

### 3.2 DRV8601ZQVEVM Schematic Diagram

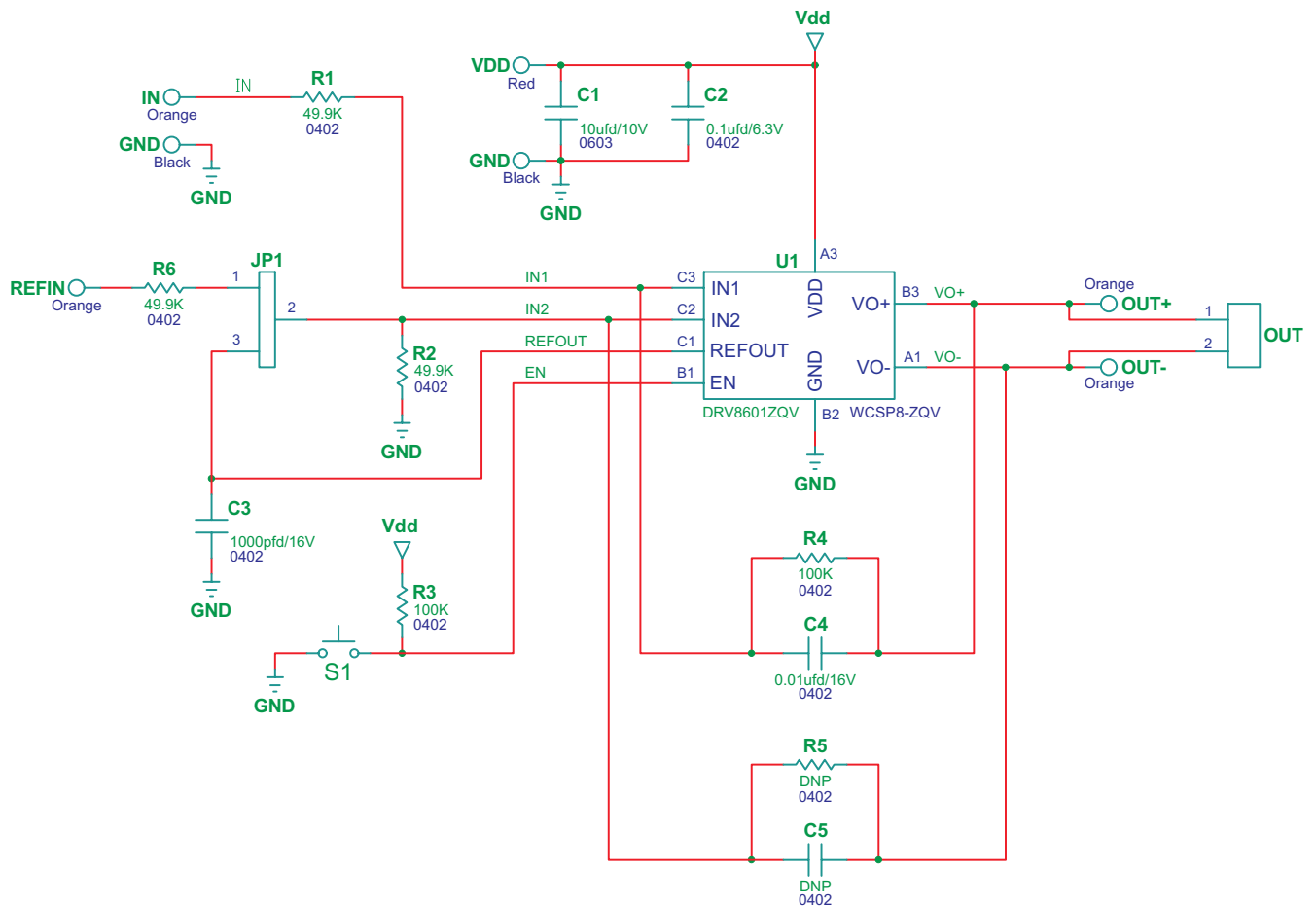


Figure 3. DRV8601ZQVEVM Schematic Diagram

### 3.3 DRV8601ZQVEVM Evaluation Module Parts List

**Table 2. DRV8601ZQVEVM Parts List**

Item	MANU Part No.	QTY	REF DES	Vendor Part No.	Description	Vendor	MANU
<b>TI-SEMICONDUCTORS</b>							
1	DRV8601ZQV	1	U1	DRV8601ZQV	400mA DRIVER FOR DC MOTORS AND LINEAR VIBRATORS WCSP8-ZQV ROHS	Texas Instruments	Texas Instruments
<b>CAPACITORS</b>							
Item	MANU Part No.	QTY	REF DES	Vendor Part No.	Description	Vendor	MANU
2	CC0402KRX7R7BB102	1	C3	311-1352-1	CAP SMD0402 CERM 1000pfd 16V 10% X7R ROHS	DIGI-KEY	Yageo
3	0402YC103KAT2A	1	C4	478-1114-1	CAP SMD0402 CERM 0.01ufd 16V 10% X7R ROHS	DIGI-KEY	AVX
4	C1005X5R0J104K	1	C2	445-1266-1	CAP SMD0402 CERM 0.1UFd 6.3V 10% X5R ROHS	DIGI-KEY	TDK Corp
5	ECJ-1VB1A106M	1	C1	PCC2479CT	CAP SMD0603 CERM 10UFd 10V 20% X5R ROHS	DIGI-KEY	Panasonic
<b>RESISTORS</b>							
Item	MANU Part No.	QTY	REF DES	Vendor Part No.	Description	Vendor	MANU
6	ERJ-2RKf4992X	3	R1, R2, R6	P49.9KLCT	RESISTOR SMD0402 THK FLM 49.9K 1/16W 1% ROHS	DIGI-KEY	Panasonic
7	ERJ-2RKf1003X	2	R3, R4	P100KLCT	RESISTOR SMD0402 THK FLM 100K 1/16W 1% ROHS	DIGI-KEY	Panasonic
<b>HEADERS AND JACKS</b>							
Item	MANU Part No.	QTY	REF DES	Vendor Part No.	Description	Vendor	MANU
8	PBC02SAAN	1	OUT	S1011E-02	HEADER THRU MALE 2 PIN 100LS GOLD ROHS	DIGI-KEY	SULLINS
9	PBC03SAAN	1	JP1	S1011E-03	HEADER THRU MALE 3 PIN 100LS GOLD ROHS	DIGI-KEY	SULLINS
<b>TESTPOINTS AND SWITCHES</b>							
Item	MANU Part No.	QTY	REF DES	Vendor Part No.	Description	Vendor	MANU
10	5000	1	VDD	5000K	PC TESTPOINT, RED, ROHS	DIGI-KEY	Keystone Electronics
11	5001	2	GNDx2	5001K	PC TESTPOINT, BLACK, ROHS	DIGI-KEY	Keystone Electronics
12	5003	4	IN, OUT+, OUT-, REFIN	5003K	PC TESTPOINT, ORANGE, ROHS	DIGI-KEY	Keystone Electronics
13	TL1015AF160QG	1	S1	EG4344CT	SWITCH, MOM, 160G SMT 4X3MM ROHS	DIGI-KEY	E-SWITCH
<b>SHUNTS</b>							
Item	MANU Part No.	QTY	REF DES	Vendor Part No.	Description	Vendor	MANU
14	SPC02SYAN	1	JP1	S9001	SHUNT, BLACK AU FLASH 0.100LS	DIGI-KEY	SULLINS
Component Count:		21					
<b>COMPONENTS NOT ASSEMBLED</b>							
C5, R5							

#### 4 Related Documentation From Texas Instruments

- DRV8601 data sheet ([SLOS629](#)): Driver for DC Motors (ERMs) and Linear Vibrators (LRAs) with Ultra-Fast Turn-On.

## Evaluation Board/Kit Important Notice

Texas Instruments (TI) provides the enclosed product(s) under the following conditions:

This evaluation board/kit is intended for use for **ENGINEERING DEVELOPMENT, DEMONSTRATION, OR EVALUATION PURPOSES ONLY** and is not considered by TI to be a finished end-product fit for general consumer use. Persons handling the product(s) must have electronics training and observe good engineering practice standards. As such, the goods being provided are not intended to be complete in terms of required design-, marketing-, and/or manufacturing-related protective considerations, including product safety and environmental measures typically found in end products that incorporate such semiconductor components or circuit boards. This evaluation board/kit does not fall within the scope of the European Union directives regarding electromagnetic compatibility, restricted substances (RoHS), recycling (WEEE), FCC, CE or UL, and therefore may not meet the technical requirements of these directives or other related directives.

Should this evaluation board/kit not meet the specifications indicated in the User's Guide, the board/kit may be returned within 30 days from the date of delivery for a full refund. **THE FOREGOING WARRANTY IS THE EXCLUSIVE WARRANTY MADE BY SELLER TO BUYER AND IS IN LIEU OF ALL OTHER WARRANTIES, EXPRESSED, IMPLIED, OR STATUTORY, INCLUDING ANY WARRANTY OF MERCHANTABILITY OR FITNESS FOR ANY PARTICULAR PURPOSE.**

The user assumes all responsibility and liability for proper and safe handling of the goods. Further, the user indemnifies TI from all claims arising from the handling or use of the goods. Due to the open construction of the product, it is the user's responsibility to take any and all appropriate precautions with regard to electrostatic discharge.

**EXCEPT TO THE EXTENT OF THE INDEMNITY SET FORTH ABOVE, NEITHER PARTY SHALL BE LIABLE TO THE OTHER FOR ANY INDIRECT, SPECIAL, INCIDENTAL, OR CONSEQUENTIAL DAMAGES.**

TI currently deals with a variety of customers for products, and therefore our arrangement with the user **is not exclusive.**

TI assumes **no liability for applications assistance, customer product design, software performance, or infringement of patents or services described herein.**

Please read the User's Guide and, specifically, the Warnings and Restrictions notice in the User's Guide prior to handling the product. This notice contains important safety information about temperatures and voltages. For additional information on TI's environmental and/or safety programs, please contact the TI application engineer or visit [www.ti.com/esh](http://www.ti.com/esh).

No license is granted under any patent right or other intellectual property right of TI covering or relating to any machine, process, or combination in which such TI products or services might be or are used.

## FCC Warning

This evaluation board/kit is intended for use for **ENGINEERING DEVELOPMENT, DEMONSTRATION, OR EVALUATION PURPOSES ONLY** and is not considered by TI to be a finished end-product fit for general consumer use. It generates, uses, and can radiate radio frequency energy and has not been tested for compliance with the limits of computing devices pursuant to part 15 of FCC rules, which are designed to provide reasonable protection against radio frequency interference. Operation of this equipment in other environments may cause interference with radio communications, in which case the user at his own expense will be required to take whatever measures may be required to correct this interference.

## EVM Warnings and Restrictions

It is important to operate this EVM within the input voltage range of 2.5 V to 5 V and the output voltage range of 0 V to 5.5 V .

Exceeding the specified input range may cause unexpected operation and/or irreversible damage to the EVM. If there are questions concerning the input range, please contact a TI field representative prior to connecting the input power.

Applying loads outside of the specified output range may result in unintended operation and/or possible permanent damage to the EVM. Please consult the EVM User's Guide prior to connecting any load to the EVM output. If there is uncertainty as to the load specification, please contact a TI field representative.

During normal operation, some circuit components may have case temperatures greater than 60°C. The EVM is designed to operate properly with certain components above 60°C as long as the input and output ranges are maintained. These components include but are not limited to linear regulators, switching transistors, pass transistors, and current sense resistors. These types of devices can be identified using the EVM schematic located in the EVM User's Guide. When placing measurement probes near these devices during operation, please be aware that these devices may be very warm to the touch.

Mailing Address: Texas Instruments, Post Office Box 655303, Dallas, Texas 75265  
Copyright © 2011, Texas Instruments Incorporated

## IMPORTANT NOTICE

Texas Instruments Incorporated and its subsidiaries (TI) reserve the right to make corrections, modifications, enhancements, improvements, and other changes to its products and services at any time and to discontinue any product or service without notice. Customers should obtain the latest relevant information before placing orders and should verify that such information is current and complete. All products are sold subject to TI's terms and conditions of sale supplied at the time of order acknowledgment.

TI warrants performance of its hardware products to the specifications applicable at the time of sale in accordance with TI's standard warranty. Testing and other quality control techniques are used to the extent TI deems necessary to support this warranty. Except where mandated by government requirements, testing of all parameters of each product is not necessarily performed.

TI assumes no liability for applications assistance or customer product design. Customers are responsible for their products and applications using TI components. To minimize the risks associated with customer products and applications, customers should provide adequate design and operating safeguards.

TI does not warrant or represent that any license, either express or implied, is granted under any TI patent right, copyright, mask work right, or other TI intellectual property right relating to any combination, machine, or process in which TI products or services are used. Information published by TI regarding third-party products or services does not constitute a license from TI to use such products or services or a warranty or endorsement thereof. Use of such information may require a license from a third party under the patents or other intellectual property of the third party, or a license from TI under the patents or other intellectual property of TI.

Reproduction of TI information in TI data books or data sheets is permissible only if reproduction is without alteration and is accompanied by all associated warranties, conditions, limitations, and notices. Reproduction of this information with alteration is an unfair and deceptive business practice. TI is not responsible or liable for such altered documentation. Information of third parties may be subject to additional restrictions.

Resale of TI products or services with statements different from or beyond the parameters stated by TI for that product or service voids all express and any implied warranties for the associated TI product or service and is an unfair and deceptive business practice. TI is not responsible or liable for any such statements.

TI products are not authorized for use in safety-critical applications (such as life support) where a failure of the TI product would reasonably be expected to cause severe personal injury or death, unless officers of the parties have executed an agreement specifically governing such use. Buyers represent that they have all necessary expertise in the safety and regulatory ramifications of their applications, and acknowledge and agree that they are solely responsible for all legal, regulatory and safety-related requirements concerning their products and any use of TI products in such safety-critical applications, notwithstanding any applications-related information or support that may be provided by TI. Further, Buyers must fully indemnify TI and its representatives against any damages arising out of the use of TI products in such safety-critical applications.

TI products are neither designed nor intended for use in military/aerospace applications or environments unless the TI products are specifically designated by TI as military-grade or "enhanced plastic." Only products designated by TI as military-grade meet military specifications. Buyers acknowledge and agree that any such use of TI products which TI has not designated as military-grade is solely at the Buyer's risk, and that they are solely responsible for compliance with all legal and regulatory requirements in connection with such use.

TI products are neither designed nor intended for use in automotive applications or environments unless the specific TI products are designated by TI as compliant with ISO/TS 16949 requirements. Buyers acknowledge and agree that, if they use any non-designated products in automotive applications, TI will not be responsible for any failure to meet such requirements.

Following are URLs where you can obtain information on other Texas Instruments products and application solutions:

### Products

Audio	<a href="http://www.ti.com/audio">www.ti.com/audio</a>
Amplifiers	<a href="http://amplifier.ti.com">amplifier.ti.com</a>
Data Converters	<a href="http://dataconverter.ti.com">dataconverter.ti.com</a>
DLP® Products	<a href="http://www.dlp.com">www.dlp.com</a>
DSP	<a href="http://dsp.ti.com">dsp.ti.com</a>
Clocks and Timers	<a href="http://www.ti.com/clocks">www.ti.com/clocks</a>
Interface	<a href="http://interface.ti.com">interface.ti.com</a>
Logic	<a href="http://logic.ti.com">logic.ti.com</a>
Power Mgmt	<a href="http://power.ti.com">power.ti.com</a>
Microcontrollers	<a href="http://microcontroller.ti.com">microcontroller.ti.com</a>
RFID	<a href="http://www.ti-rfid.com">www.ti-rfid.com</a>
OMAP Mobile Processors	<a href="http://www.ti.com/omap">www.ti.com/omap</a>
Wireless Connectivity	<a href="http://www.ti.com/wirelessconnectivity">www.ti.com/wirelessconnectivity</a>

### Applications

Communications and Telecom	<a href="http://www.ti.com/communications">www.ti.com/communications</a>
Computers and Peripherals	<a href="http://www.ti.com/computers">www.ti.com/computers</a>
Consumer Electronics	<a href="http://www.ti.com/consumer-apps">www.ti.com/consumer-apps</a>
Energy and Lighting	<a href="http://www.ti.com/energy">www.ti.com/energy</a>
Industrial	<a href="http://www.ti.com/industrial">www.ti.com/industrial</a>
Medical	<a href="http://www.ti.com/medical">www.ti.com/medical</a>
Security	<a href="http://www.ti.com/security">www.ti.com/security</a>
Space, Avionics and Defense	<a href="http://www.ti.com/space-avionics-defense">www.ti.com/space-avionics-defense</a>
Transportation and Automotive	<a href="http://www.ti.com/automotive">www.ti.com/automotive</a>
Video and Imaging	<a href="http://www.ti.com/video">www.ti.com/video</a>

TI E2E Community Home Page

[e2e.ti.com](http://e2e.ti.com)

Mailing Address: Texas Instruments, Post Office Box 655303, Dallas, Texas 75265  
Copyright © 2011, Texas Instruments Incorporated