

UCC3913 or UCC3921 Hot Swap Power Manager Evaluation Board

Power Management Products

1 Evaluation Board Operation

This user's guide highlights the UCC3913/ UCC3921 evaluation board in a typical -48-Vdc , 1-A application circuit.

Many battery-powered and telecommunications power supplies use some form of protection to prevent high currents from flowing during a short-circuit or overload condition. This function is often performed by a self-resetting circuit breaker as opposed to a fuse, which requires manual replacement whenever triggered. Circuit breakers can be implemented in a number of different ways, but the most popular approach is to use a MOSFET transistor, which can be switched on and off as required. Load current is typically sensed with a low value resistor and compared to a reference level to determine when an overcurrent condition exists. This function can be achieved with discrete circuitry or with a fully-integrated solution, such as the UCC3913 and the UCC3921 negative voltage hot swap power manager.

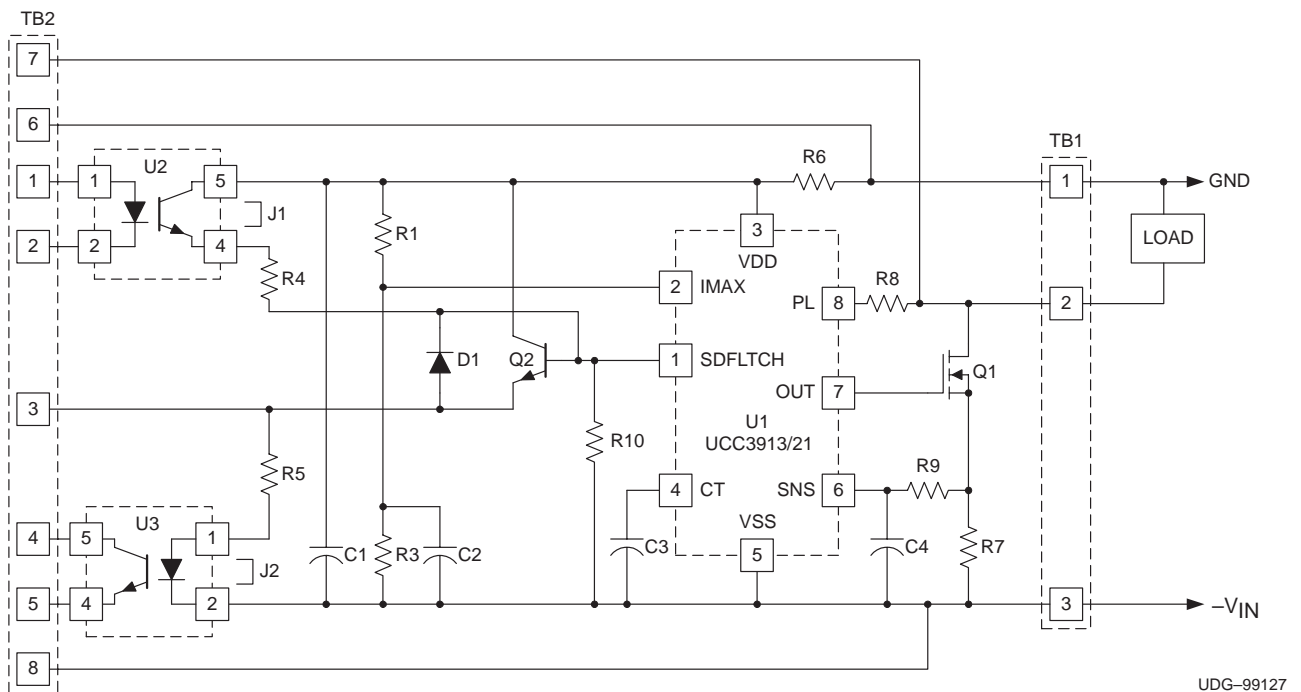


Figure 1. Evaluation Board Schematic

2 Evaluation Board Bill of Materials

Table 1. Bill of Materials

Description	Reference	Qty	Value/Type Number	Manufacturer	Part Number
Capacitors	C1	1	1 μ F, 16 Vdc		
	C2	1	not used – open circuit		
	C3	1	1.5 nF, 16 V dc		
	C4	1	not used – open circuit		
Diodes	D1	1			1N4148
Resistors	R1	1	23.7 k Ω , 1/4 W		
	R3	1	511 Ω , 1/4 W		
	R4	1	47 k Ω , 1/4 W		
	R5	1	1 k Ω , 1/4 W		
	R6	1	3.3 k Ω , 5%, 1W, SMD2512 or leaded metal film		
	R7	1	Shunt, 50 m Ω , 1%		
	R8	1	330 k Ω , 1/4 W		
	R9	1	0 Ω , jumper		
	R10	1	82 k Ω , 1/4 W		
	MOSFETs	Q1	1	200 V, 5 A	Int'l Rectifier
Transistor	Q2	1	NPN, small signal		PN2222/A
Integrated Circuits	U1	1	Negative hot swap power manager IC	Texas Instruments	UCC3913 or UCC3921
	U2, U3	2	Optocoupler	QT Optoelectronics or Toshiba	4N29

The following equipment is needed for the operation of the UCC3913/UCC3921 evaluation board:

- Power Supply: 48 Vdc/1.5 Adc
- Electronic load-to-sink 1.5 A at 48 Vdc

3 References

For complete details and various features of the devices mentioned in this User's Guide, see the following datasheets.

1. UCC3913 *Negative Voltage Hot Swap Power Manager*, Texas Instruments, Literature No. SLUS274.
2. UCC3921 *Latchable Negative Floating Hot Swap Power Manager*, Texas Instruments, Literature No. SLUS207.

IMPORTANT NOTICE

Texas Instruments and its subsidiaries (TI) reserve the right to make changes to their products or to discontinue any product or service without notice, and advise customers to obtain the latest version of relevant information to verify, before placing orders, that information being relied on is current and complete. All products are sold subject to the terms and conditions of sale supplied at the time of order acknowledgment, including those pertaining to warranty, patent infringement, and limitation of liability.

TI warrants performance of its products to the specifications applicable at the time of sale in accordance with TI's standard warranty. Testing and other quality control techniques are utilized to the extent TI deems necessary to support this warranty. Specific testing of all parameters of each device is not necessarily performed, except those mandated by government requirements.

Customers are responsible for their applications using TI components.

In order to minimize risks associated with the customer's applications, adequate design and operating safeguards must be provided by the customer to minimize inherent or procedural hazards.

TI assumes no liability for applications assistance or customer product design. TI does not warrant or represent that any license, either express or implied, is granted under any patent right, copyright, mask work right, or other intellectual property right of TI covering or relating to any combination, machine, or process in which such products or services might be or are used. TI's publication of information regarding any third party's products or services does not constitute TI's approval, license, warranty or endorsement thereof.

Reproduction of information in TI data books or data sheets is permissible only if reproduction is without alteration and is accompanied by all associated warranties, conditions, limitations and notices. Representation or reproduction of this information with alteration voids all warranties provided for an associated TI product or service, is an unfair and deceptive business practice, and TI is not responsible nor liable for any such use.

Resale of TI's products or services with statements different from or beyond the parameters stated by TI for that product or service voids all express and any implied warranties for the associated TI product or service, is an unfair and deceptive business practice, and TI is not responsible nor liable for any such use.

Also see: [Standard Terms and Conditions of Sale for Semiconductor Products](http://www.ti.com/sc/docs/stdterms.htm). www.ti.com/sc/docs/stdterms.htm

Mailing Address:

Texas Instruments
Post Office Box 655303
Dallas, Texas 75265