

# ***bq27620 EVM: Single-Cell Impedance Track Technology***

This evaluation module (EVM) is a complete evaluation system for the bq27620. The EVM includes one bq27620 circuit module, a current sense resistor, an EV2300 PC interface board for gas gauge interface, a PC USB cable, and Windows™-based PC software. The circuit module includes one bq27620 integrated circuit and all other onboard components necessary to monitor and predict capacity for a system-side fuel gauge solution. The circuit module connects directly across the battery pack. With the EV2300 interface board and software, the user can read the bq27620 data registers, program the chipset for different pack configurations, log cycling data for further evaluation, and evaluate the overall functionality of the bq27620 solution under different charge and discharge conditions. The latest Windows™ – based PC software can be downloaded from the product folder on the Texas Instruments Web site.

## **Contents**

1	Features .....	2
1.1	Kit Contents .....	2
1.2	Ordering Information .....	2
2	bq27620-Based Circuit Module .....	3
2.1	Circuit Module Connections .....	3
2.2	Pin Description .....	3
3	bq27620 Circuit Module Schematic .....	3
3.1	Schematic .....	3
4	Circuits Module Physical Layout and Bill of Material .....	3
4.1	Board Layout .....	3
4.2	Bill of Material .....	6
4.3	Schematic .....	7
4.4	bq27620 Circuits Module Performance Specification Summary .....	8
5	EVM Hardware and Software Setup .....	8
5.1	System Requirements .....	8
5.2	Software Installation .....	8
6	Troubleshooting Unexpected Dialog Boxes .....	8
7	Hardware Connection .....	8
7.1	Connecting the bq27620 Circuit Module to a Battery Pack .....	8
7.2	PC Interface Connection .....	9
8	Operation .....	9
8.1	Starting the Program .....	9
8.2	Setting Programmable bq27620 Options .....	10
9	Calibrate Screen .....	12
9.1	To Calibrate the bq27620 .....	12
9.2	Voltage Calibration .....	12
9.3	Temperature Calibration .....	12
10	I2C Pro Screen .....	13
10.1	I2C Communication .....	13
11	Related Documentation from Texas Instruments .....	13

## **List of Figures**

1	bq27620EVM Layout – Silk Screen .....	4
2	bq27620EVM Layout – Top Assembly .....	4
3	bq27620EVM Layout – Top Layer .....	5

4	bq27620EVM Layout – Bottom Layer .....	5
5	bq27620EVM Schematic.....	7
6	bq27620 Circuit Module Connection to Pack and System Load/Charger .....	9
7	DataRAM Screen .....	10
8	Data Flash Screen .....	11
9	Calibration Screen.....	12
10	I2C Pro Screen .....	13

#### List of Tables

1	Ordering Information.....	2
2	Bill of Materials .....	6
3	Performance Specification Summary.....	8
4	Circuit Module to EV2300/EV2400 Connections.....	9

## 1 Features

- Complete evaluation system for the bq27620 gas gauge with Impedance Track™ technology
- Populated circuit module for quick setup
- Personal computer (PC) software and interface board for easy evaluation
- Software that allows data logging for system analysis
- Ability to upgrade to the latest firmware version by flash reprogramming

### 1.1 Kit Contents

- bq27620 circuit module (HPA735)

This EVM is used for the evaluation of bq27620-based products. Ensure that you visit the product Web folder at [www.ti.com](http://www.ti.com) to download the latest firmware version for the associated product to be evaluated.

### 1.2 Ordering Information

**Table 1. Ordering Information**

EVM Part Number	Chemistry	Configuration	Capacity
bq27620EVM	Li-Ion	1 Cell	Any

## 2 bq27620-Based Circuit Module

The bq27620-based circuit module is a complete and compact example solution of a bq27620 circuit for battery management. The circuit module incorporates a bq27620 battery gas gauge integrated circuit (IC) and all other components necessary to accurately predict the capacity of 1-series Li-ion cell.

### 2.1 Circuit Module Connections

Contacts on the circuit module provide the following connections:

- Direct connection to the battery pack (J2 or J3): PACK+, PACK–
- To the serial communications port (J8): SDA, SCL, and VSS
- The system load and charger connect across charger and load (J6 and J7): CHARGER–/LOAD– and CHARGER+/LOAD+.
- Access to signal outputs (J5): SOC\_INT, BAT\_LOW and BAT\_GD

### 2.2 Pin Description

Pin Name	Description
PACK+	Pack positive terminal
PACK–	Pack negative terminal
SDA	I2C™ communication data line
SCL	I2C communication clock line
VSS	Signal return for communication line, shared with charger and ground
CHG+/LOAD+	High potential of load or charger connection
CHG–/LOAD–	Low potential of load or charger connection (system VSS)
BAT_LOW	Battery low output
/BAT_GD	Battery good output
SOC_INT	SOC state interrupts output

## 3 bq27620 Circuit Module Schematic

### 3.1 Schematic

The schematic follows the bill of materials in this user's guide.

## 4 Circuits Module Physical Layout and Bill of Material

This section contains the board layout, bill of materials, and assembly drawings for the bq27620 circuit module.

### 4.1 Board Layout

This section shows the printed-circuit board (PCB) layers ([Figure 1](#) through [Figure 4](#)), and assembly drawing for the bq27620 module.

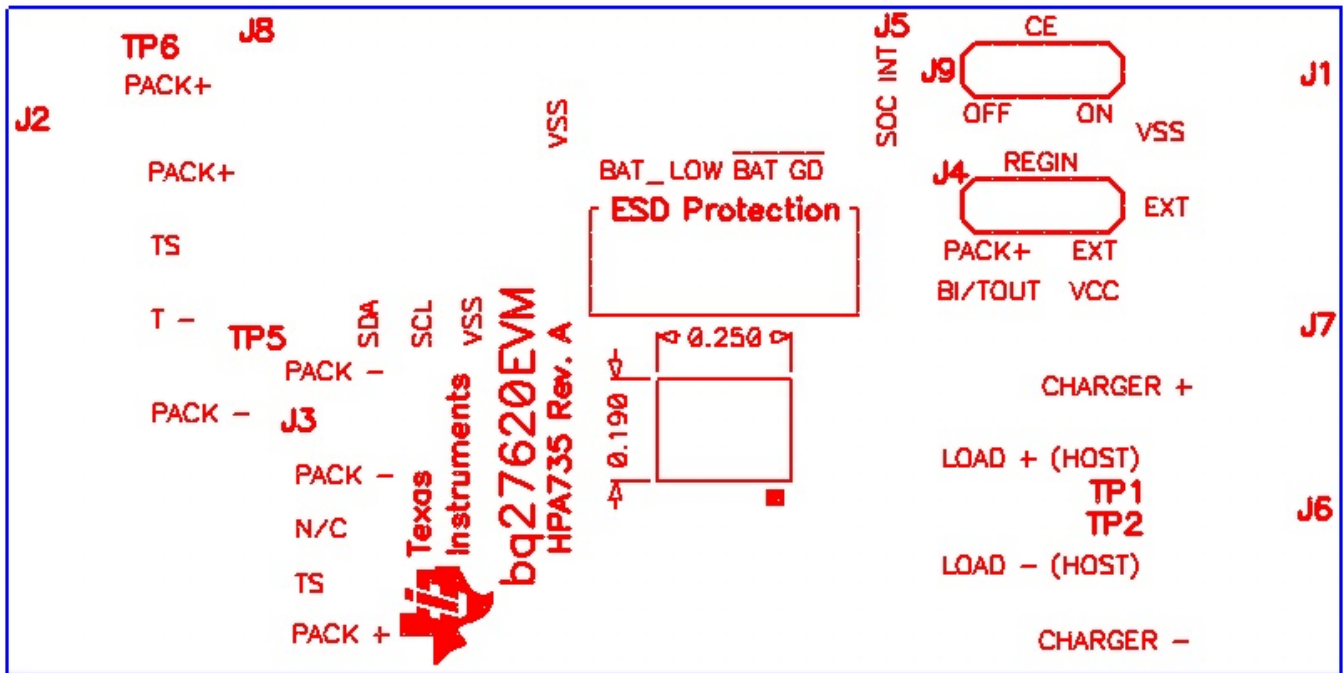


Figure 1. bq27620EVM Layout – Silk Screen

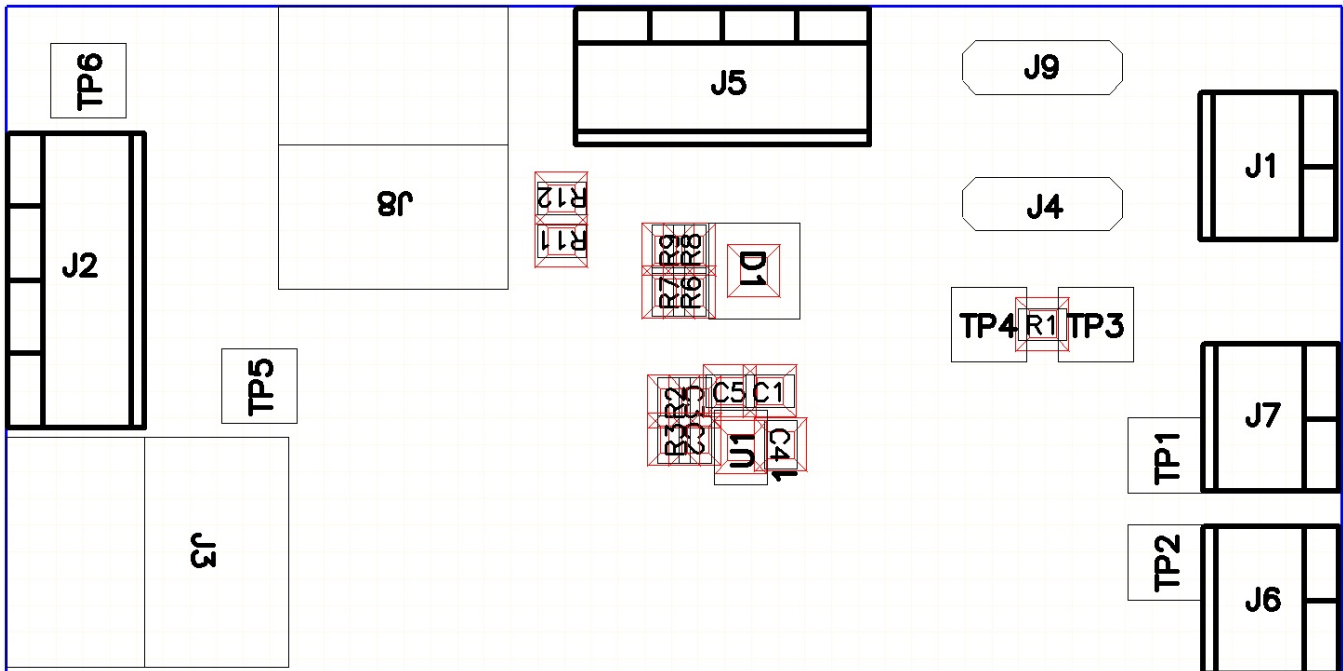


Figure 2. bq27620EVM Layout – Top Assembly

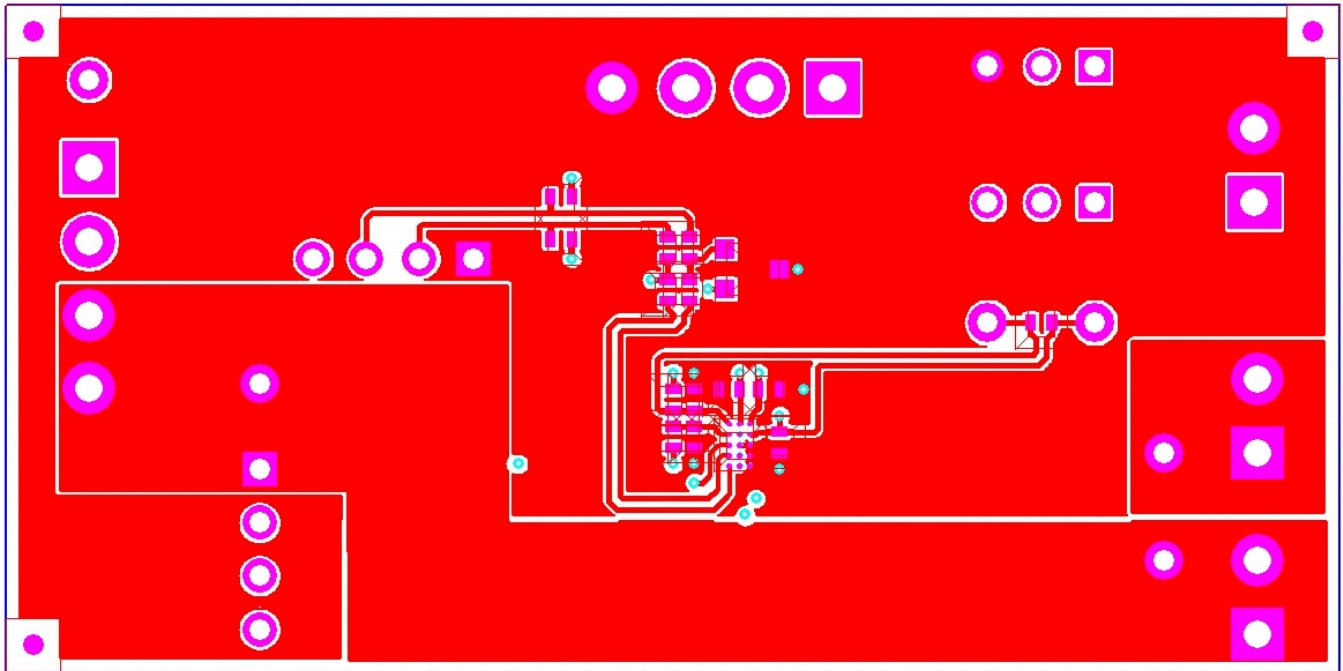


Figure 3. bq27620EVM Layout – Top Layer

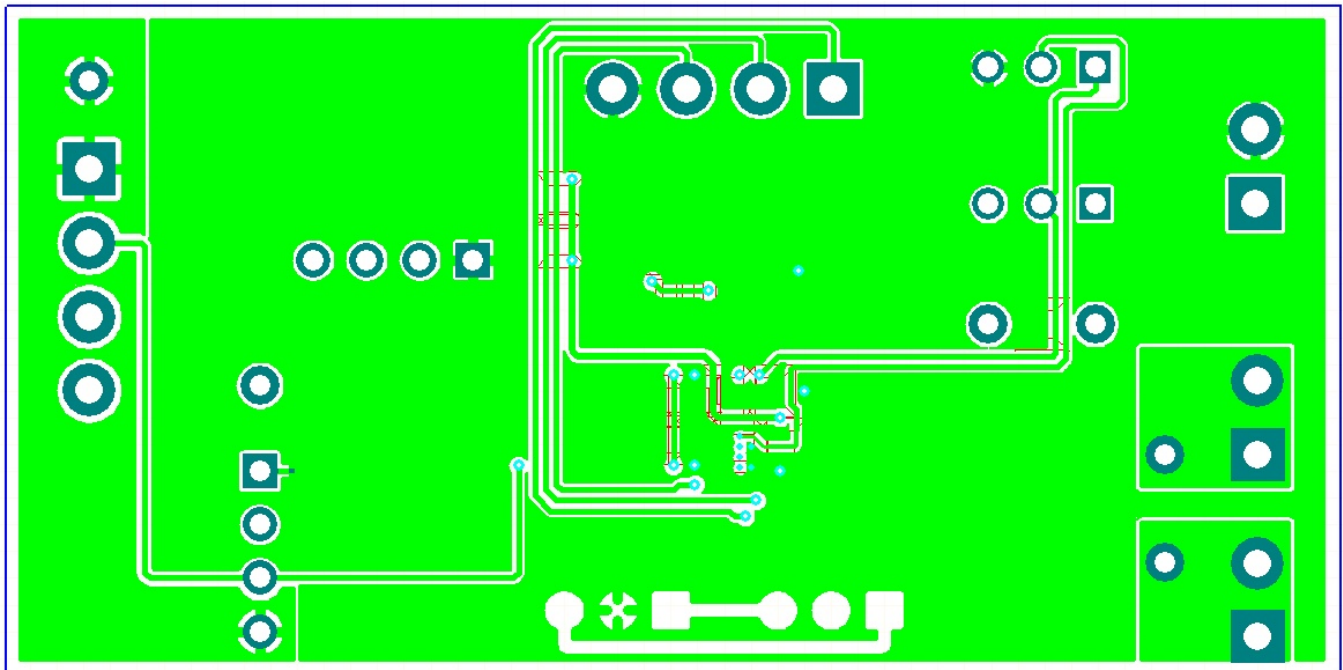


Figure 4. bq27620EVM Layout – Bottom Layer

## 4.2 Bill of Material

**Table 2. Bill of Materials**

Count	RefDes	Value	Description	Size	Part Number	Mfr
1	C3	33nF	Capacitor, Ceramic, 10V, X7R, +/-10%	402	GRM155R71A333KA01D	Murata
1	C4	1.0uF	Capacitor, Ceramic, 6.3V, X5R, 10%	402	GRM155R60J105KE19D	Murata
3	C1, C2, C5	0.1uF	Capacitor, Ceramic, 10V, X5R, 10%	402	GRM155R61A104KA01D	Murata
1	D1	AZ23C5V6-7-F	Diode, Dual, Zener, 5.6 V, 300mW	SOT23	AZ23C5V6-7-F	Diodes
3	J1, J6, J7	ED555/2DS	Terminal Block, 2-pin, 6-A, 3.5mm	0.27 x 0.25 inch	ED555/2DS	OST
2	J2, J5	ED555/4DS	Terminal Block, 4-pin, 6-A, 3.5mm	0.55 x 0.25 inch	ED555/4DS	OST
2	J3, J8	22-05-3041	Header, Friction Lock Ass'y, 4-pin Right Angle,	0.400 x 0.500	22-05-3041	Molex
2	J4, J9	PEC36SAAN	Header, Male 3-pin, 100mil spacing	0.100 inch x 3	PEC36SAAN	Sullins
1	R1	1.8M	Resistor, Chip, 1/16-W, 5%	402	Std	Std
2	R11, R12	10k	Resistor, Chip, 1/16-W, 5%	402	Std	Std
1	R2	18.2k	Resistor, Chip, 1/16-W, 1%	402	Std	Std
1	R3	1k	Resistor, Chip, 1/16-W, 5%	402	Std	Std
4	R6, R7, R4, R5	100	Resistor, Chip, 1/16-W, 5%	402	Std	Std
3	TP1, TP3, TP6	5000	Test Point, Red, Thru Hole Color Keyed	0.100 x 0.100 inch	5000	Keystone
2	TP2, TP5	5001	Test Point, Black, Thru Hole Color Keyed	0.100 x 0.100 inch	5001	Keystone
1	TP4	5002	Test Point, White, Thru Hole Color Keyed	0.100 x 0.100 inch	5002	Keystone
1	U1	BQ27620YZF	IC, System-Side Impedance Track w/ Dynamic Voltage Correlation Fuel Gauge With DSBGA		BQ27620YZF	TI

### 4.3 Schematic

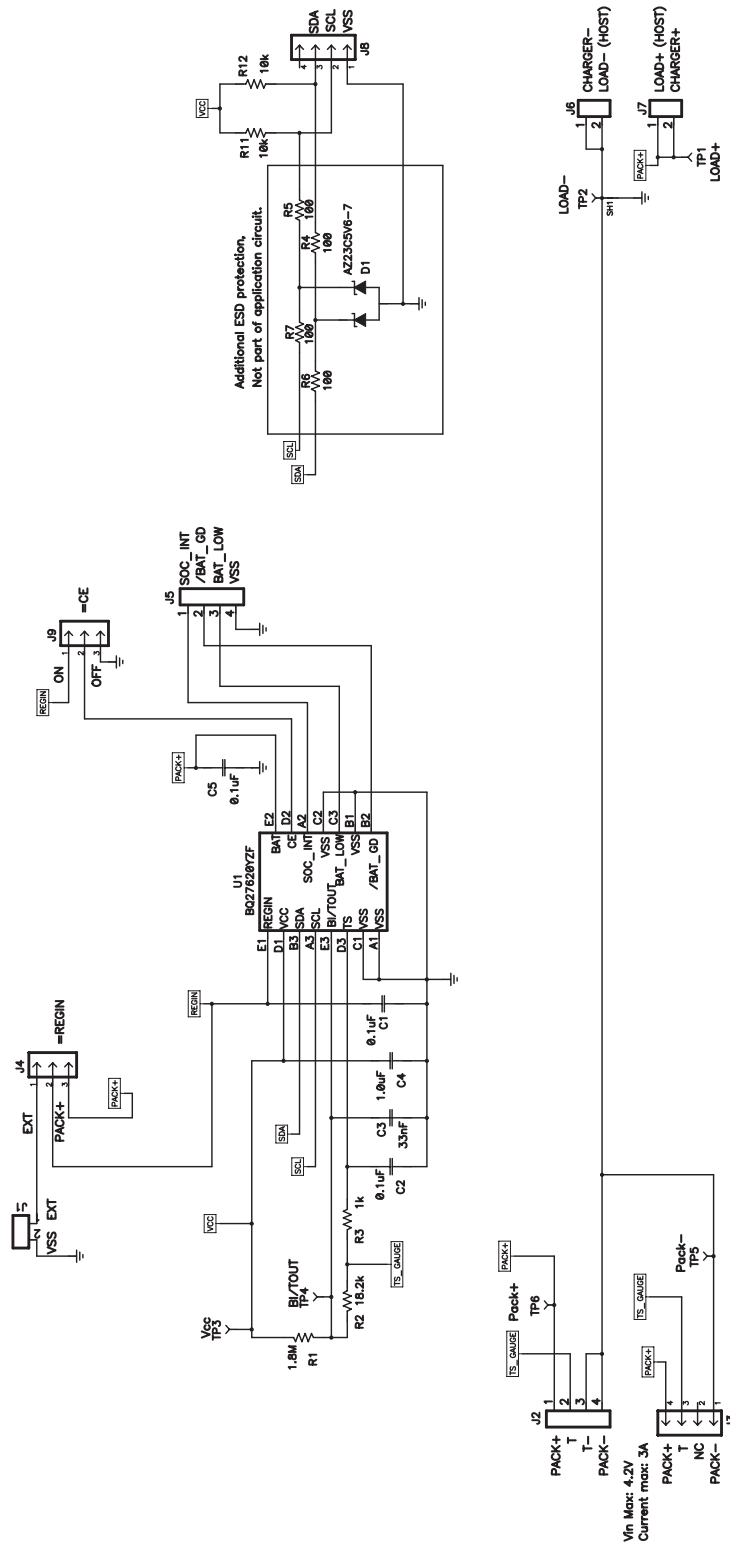


Figure 5. bq27620EVM Schematic

#### 4.4 **bq27620 Circuits Module Performance Specification Summary**

This section summarizes the performance specifications of the bq27620 circuit module.

**Table 3. Performance Specification Summary**

Specification	Min	Typ	Max	Units
Input voltage Pack+ to Pack–	2.7	3.6	4.3	V
Charge and discharge current	0	1	2	A

## 5 **EVM Hardware and Software Setup**

This section describes how to install the bq27620EVM PC software and how to connect the different components of the EVM.

### 5.1 **System Requirements**

The bq27620EVSW software requires Windows 2000 or Windows XP. Drivers for Windows 98SE are provided, but Microsoft™ no longer supports Windows 98; therefore, Windows 98 can have issues with USB driver support. The EV2300 USB drivers have been tested for Windows 98SE, but no assurance is made for problem-free operation with specific system configurations.

### 5.2 **Software Installation**

Find the latest software version in the bq27620 tool folder on [power.ti.com](http://power.ti.com). Make a search by Part Number for bq27620 to access the tool folder. Use the following steps to install the bq27620EVSW software:

1. Ensure that the EV2300 or EV2400 is not connected to the personal computer (PC) through the USB cable before starting this procedure.
2. Open the archive containing the installation package, and copy its contents into a temporary directory.
3. Open the software file that was downloaded from the TI Web site.
4. Follow the instructions on screen until completing the software installation.
5. Before starting the evaluation software, connect the EV2300 or EV2400 to the computer using the USB cable.
6. If EV2300 is connected, wait until system prompt "new hardware found" appears. Choose "select location manually", and use the "browse" button to point to subdirectory TIUSBWin2K-XP-1.
7. Answer "continue" to the warning that drivers are not certified with Microsoft™.
8. After installation finishes, another system prompt "new hardware found" appears. Repeat steps 1 through 5, but specify the directory as TIUSBWin2K-XP-2.
9. Answer "continue" to the warning that drivers are not certified with Microsoft. Driver installation is now finished.

## 6 **Troubleshooting Unexpected Dialog Boxes**

The user that is downloading the files must be logged in as the administrator. The driver is not signed, so the administrator must allow installation of unsigned drivers in the operating system policy.

## 7 **Hardware Connection**

The bq27620EVM comprises three hardware components: the bq27620 circuit module, the EV2300 PC interface board, and the PC.

### 7.1 **Connecting the bq27620 Circuit Module to a Battery Pack**

[Figure 6](#) shows how to connect the bq27620 circuit module to the cells and system load/charger.



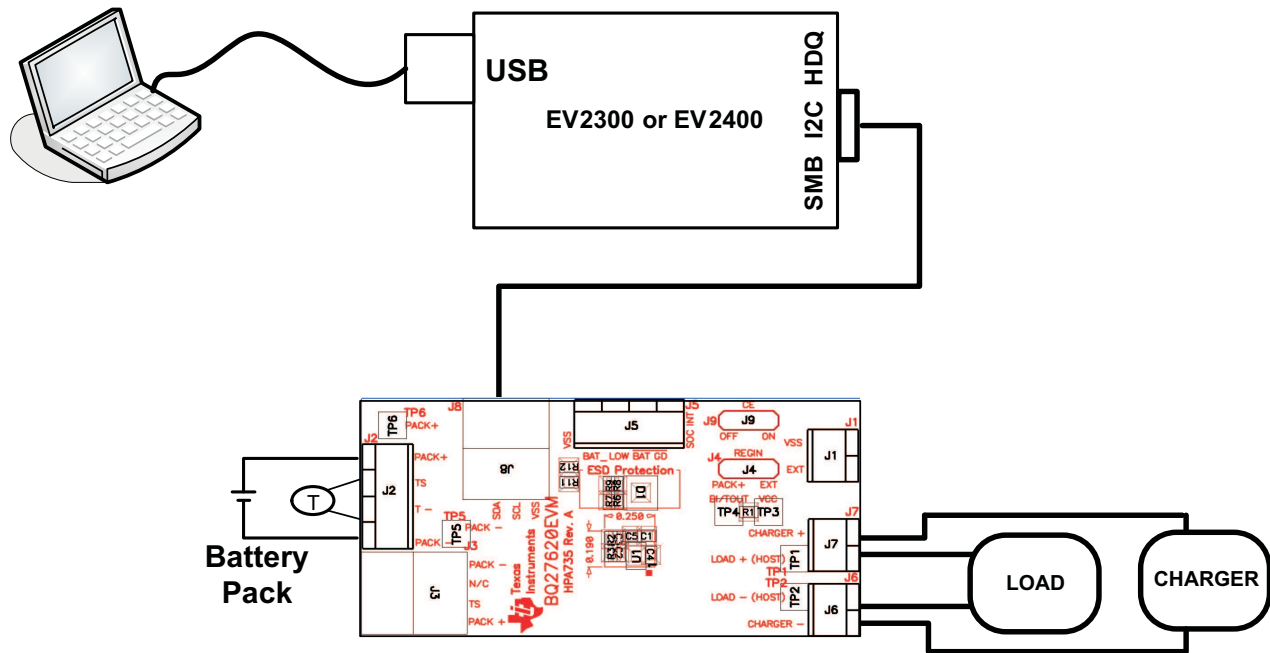


Figure 6. bq27620 Circuit Module Connection to Pack and System Load/Charger

## 7.2 PC Interface Connection

The following steps configure the hardware for interface to the PC.

1. Connect the bq27620-based EVM to the EV2300 using wire leads as shown in Table 4.
2. Connect the PC USB cable to the EV2300 and the PC USB port.

Table 4. Circuit Module to EV2300/EV2400 Connections

bq27620EVM	EV2300
SDA	SDA
SCL	SCL
VSS	GND

The bq27620EVM is now set up for operation.

## 8 Operation

This section details the operation of the bq27620 EVSW software.

### 8.1 Starting the Program

Run bq27620 EVSW from the Start | Programs | Texas Instruments | bq Evaluation Software menu sequence. The DataRAM screen (Figure 7) appears. Data begins to appear once the <Refresh> (single time scan) button is clicked, or when the <Keep Scanning> check box is checked. To disable the scan feature, deselect <Keep Scanning>.

The continuous scanning period can be set with the | Options | and | Set Scan Interval | menu selections. The range for this interval is 0 ms to 65,535 ms. Only items that are selected for scanning are scanned within this period.

The bq27620 EVSW provides a logging function which logs the values that were last scanned by EVSW. To enable this function, select the *Start Logging* button; this causes the *Keep Scanning* button to be selected. When logging is *stopped*, the *Keep Scanning* button is still selected and has to be manually unchecked.

The logging intervals are specified under the | Options | menu with the maximum value of 65,535 ms. The *Log* interval cannot be smaller than the scan interval because this results in the same value being logged at least twice.

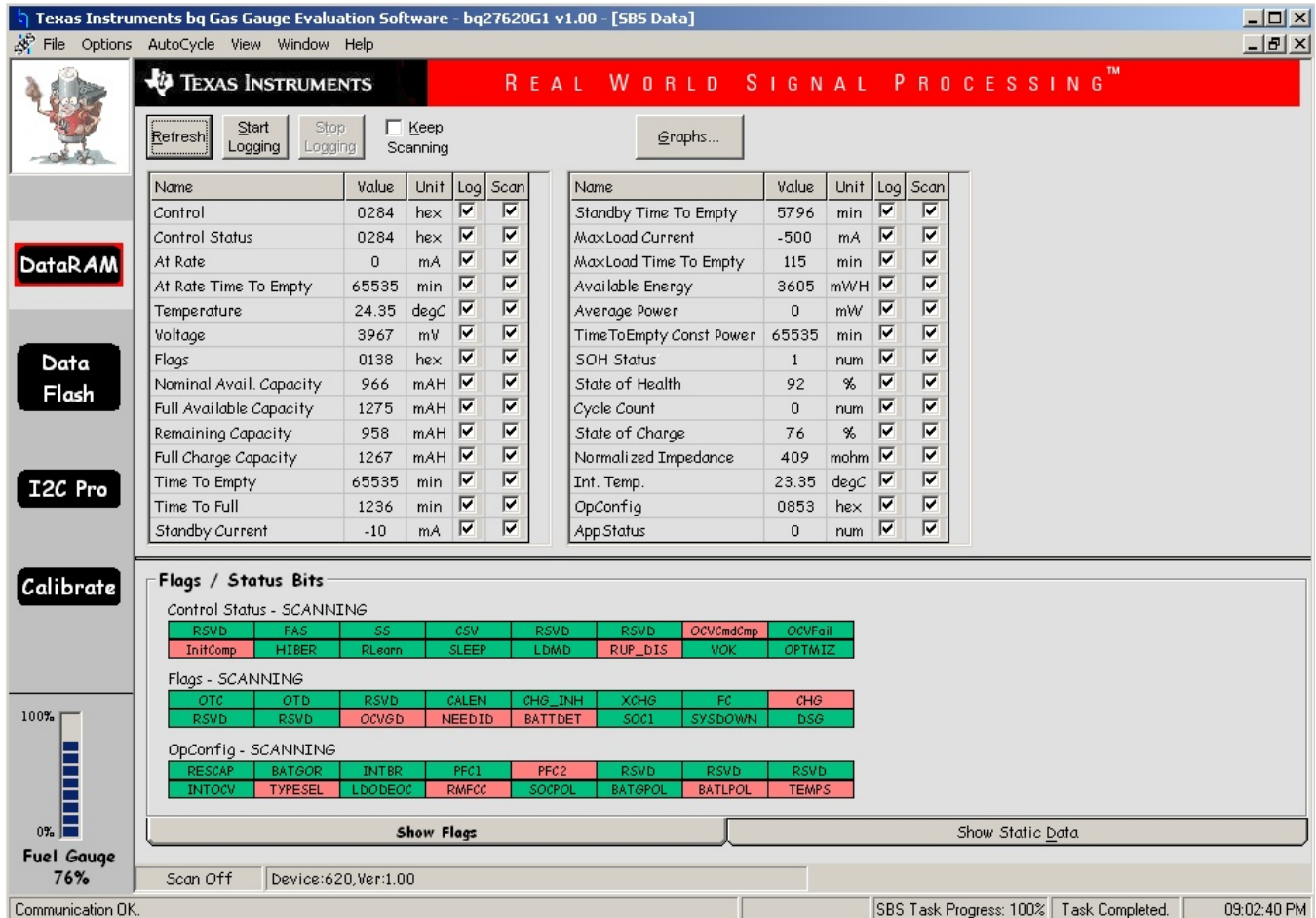


Figure 7. DataRAM Screen

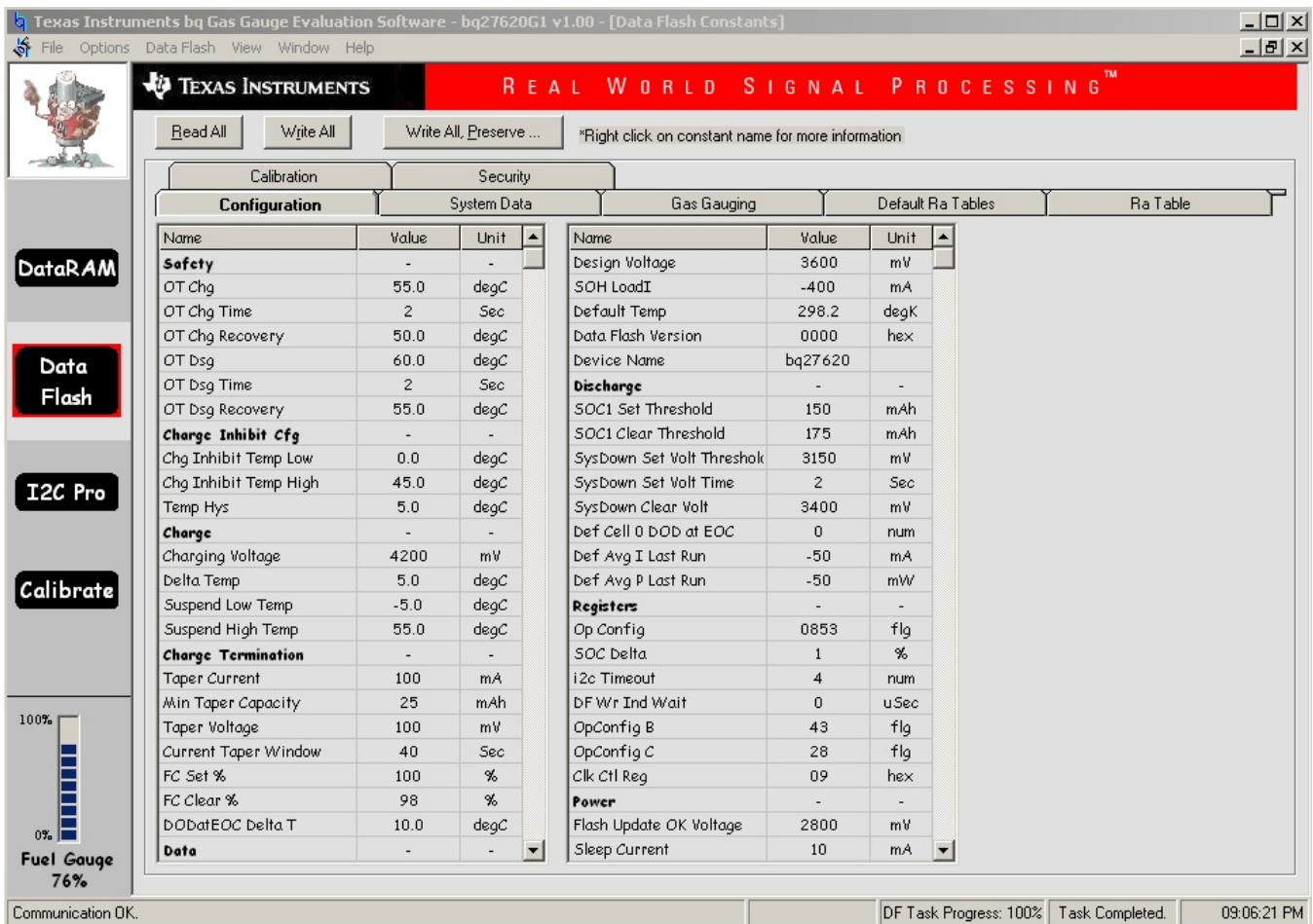
This screen (Figure 2) shows the RAM data set. Additional Flag and Status data can be viewed at the bottom of the DataRAM screen.

Dragging the splitter bar (line that separates the Flags/Status data from Data Ram register values) changes the height of the Flags/Status Data display. Selecting | View |, then | Auto Arrange | returns the splitter bar to its original location.

### 8.2 Setting Programmable bq27620 Options

The bq27620 data flash comes configured per the default settings detailed in the bq27620 data sheet. Ensure that the settings are correctly changed to match the pack and application for the bq27620 solution being evaluated.

**IMPORTANT:** The correct setting of these options is essential to get the best performance. The settings can be configured using the Data Flash screen (Figure 8).



The screenshot shows the 'Data Flash Constants' window with the following data tables:

Name	Value	Unit
<b>Safety</b>		
OT Chg	55.0	degC
OT Chg Time	2	Sec
OT Chg Recovery	50.0	degC
OT Dsg	60.0	degC
OT Dsg Time	2	Sec
OT Dsg Recovery	55.0	degC
<b>Charge Inhibit Cfg</b>		
Chg Inhibit Temp Low	0.0	degC
Chg Inhibit Temp High	45.0	degC
Temp Hys	5.0	degC
<b>Charge</b>		
Charging Voltage	4200	mV
Delta Temp	5.0	degC
Suspend Low Temp	-5.0	degC
Suspend High Temp	55.0	degC
<b>Charge Termination</b>		
Taper Current	100	mA
Min Taper Capacity	25	mAh
Taper Voltage	100	mV
Current Taper Window	40	Sec
FC Set %	100	%
FC Clear %	98	%
DOdatEOC Delta T	10.0	degC
<b>Data</b>		

Name	Value	Unit
Design Voltage	3600	mV
SOH LoadI	-400	mA
Default Temp	298.2	degK
Data Flash Version	0000	hex
Device Name	bq27620	
<b>Discharge</b>		
SOC1 Set Threshold	150	mAh
SOC1 Clear Threshold	175	mAh
SysDown Set Volt Threshok	3150	mV
SysDown Set Volt Time	2	Sec
SysDown Clear Volt	3400	mV
Def Cell 0 DOB at EOC	0	num
Def Avg I Last Run	-50	mA
Def Avg P Last Run	-50	mW
<b>Registers</b>		
Op Config	0853	flg
SOC Delta	1	%
i2c Timeout	4	num
DF Wr Ind Wait	0	uSec
OpConfig B	43	flg
OpConfig C	28	flg
Clk Ctl Reg	09	hex
<b>Power</b>		
Flash Update OK Voltage	2800	mV
Sleep Current	10	mA

**Figure 8. Data Flash Screen**

To read all the data from the bq27620 data flash, click on menu option | Data Flash | Read All |.

To read all the data from the bq27620 data flash, click on menu option | Data Flash | Read All |. <Enter>, which writes the entire tab of flash data, or select menu option | Data Flash | Write All |. The data flash must be read before any writes are performed to avoid any incorrect data being written to the device.

The | File | Special Export | menu options allows the data flash to be exported, but it configures the exported data flash to a learned state ready for mass production use.

The data-flash configuration can be saved to a file by selecting | File | Export | and entering a file name. A data-flash file also can be retrieved in this way, imported, and written to the bq27620 using the | Write All | button.

The module calibration data is also held in the bq27620 data flash.

The bq27620 allows for an automatic data-flash export function, similar to the DataRAM logging function. This feature, when selected via | Options | Auto Export |, exports Data Flash to a sequential series of files named as *FilenameNNNNN.gg* where N = a decimal number from 0 to 9.

The AutoExport interval is set under the | Options menu | with a minimum value of 15 s. The AutoExport filename also is set under the | Options menu |.

When a check is next to | AutoExport |, the AutoExport is in progress. The same menu selection is used to turn on/off AutoExport.

If the Data Flash screen is blank, then the bq27620 that is being used may not be supported by the bqEVSW version that is being used. An upgrade may be required.

## 9 Calibrate Screen

To ensure proper calibration, perform the following steps. These steps may or may not be required, depending on the type of calibration being performed. Only one calibration item can be selected and calibrated at once.

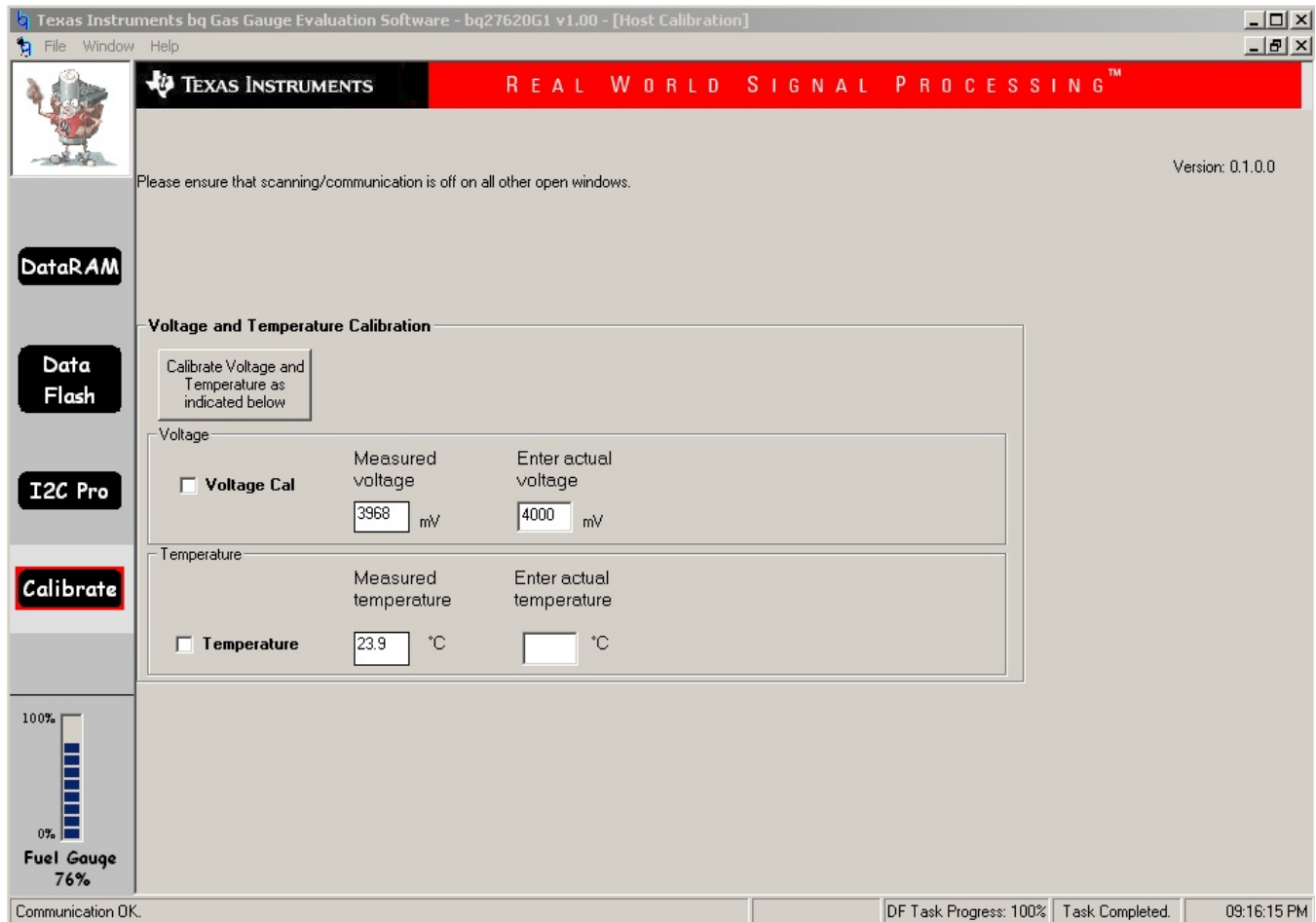


Figure 9. Calibration Screen

### 9.1 To Calibrate the bq27620

1. Select the types of calibration to be performed (see [Figure 9](#)).
2. Enter the measured values for the types selected.
3. Press the button to calibrate.

### 9.2 Voltage Calibration

1. Measure the voltage across Pack+ and Pack-.
2. Type the voltage value in mV into *Enter Actual Voltage*.
3. Press the *Calibrate Part as indicated below* button.

### 9.3 Temperature Calibration

1. Measure the temperature for PACK.
2. Type the temperature value into *Enter Actual Temperature*.
3. Select if the temperature sensor to calibrate is the internal or external.

4. Press the *Calibrate Voltage and Current as indicated below* button.

## 10 I2C Pro Screen

### 10.1 I2C Communication

The read/write operations of the I2C Pro function are not specific to any gas gauge. These operations serve as general-purpose communication tools (Figure 10).

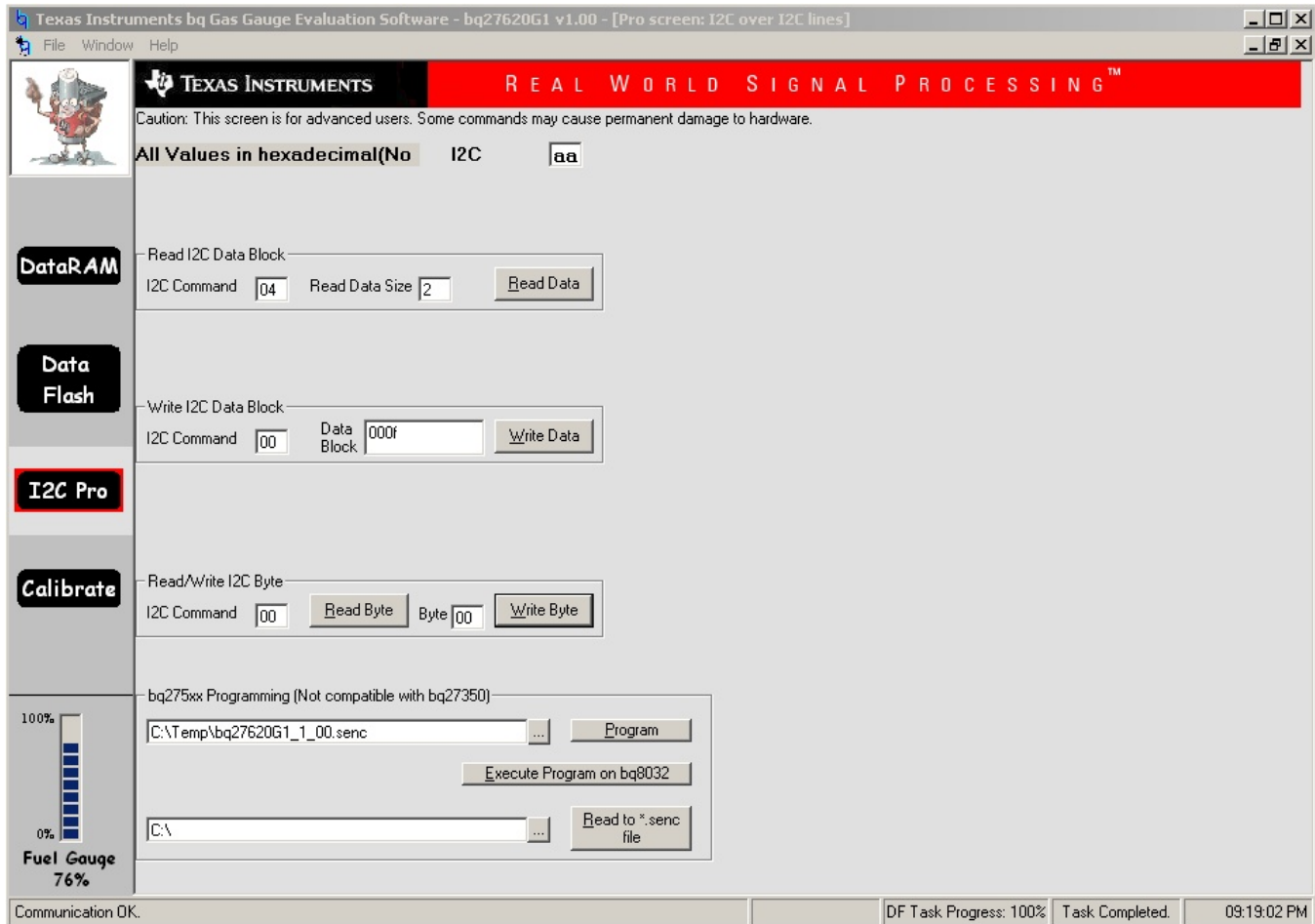


Figure 10. I2C Pro Screen

## 11 Related Documentation from Texas Instruments

To obtain a copy of any of the following TI documents, call the Texas Instruments Literature Response Center at (800) 477-8924 or the Product Information Center (PIC) at (972) 644-5580. When ordering, identify this document by its title and literature number. Updated documents also can be obtained through the TI Web site at [www.ti.com](http://www.ti.com).

1. *bq27620, System-Side Impedance Track™ Dynamic Voltage Correlation Fuel Gauge with Integrated LDO* data sheet ([SLUSAE3](#))

## Evaluation Board/Kit Important Notice

Texas Instruments (TI) provides the enclosed product(s) under the following conditions:

This evaluation board/kit is intended for use for **ENGINEERING DEVELOPMENT, DEMONSTRATION, OR EVALUATION PURPOSES ONLY** and is not considered by TI to be a finished end-product fit for general consumer use. Persons handling the product(s) must have electronics training and observe good engineering practice standards. As such, the goods being provided are not intended to be complete in terms of required design-, marketing-, and/or manufacturing-related protective considerations, including product safety and environmental measures typically found in end products that incorporate such semiconductor components or circuit boards. This evaluation board/kit does not fall within the scope of the European Union directives regarding electromagnetic compatibility, restricted substances (RoHS), recycling (WEEE), FCC, CE or UL, and therefore may not meet the technical requirements of these directives or other related directives.

Should this evaluation board/kit not meet the specifications indicated in the User's Guide, the board/kit may be returned within 30 days from the date of delivery for a full refund. **THE FOREGOING WARRANTY IS THE EXCLUSIVE WARRANTY MADE BY SELLER TO BUYER AND IS IN LIEU OF ALL OTHER WARRANTIES, EXPRESSED, IMPLIED, OR STATUTORY, INCLUDING ANY WARRANTY OF MERCHANTABILITY OR FITNESS FOR ANY PARTICULAR PURPOSE.**

The user assumes all responsibility and liability for proper and safe handling of the goods. Further, the user indemnifies TI from all claims arising from the handling or use of the goods. Due to the open construction of the product, it is the user's responsibility to take any and all appropriate precautions with regard to electrostatic discharge.

**EXCEPT TO THE EXTENT OF THE INDEMNITY SET FORTH ABOVE, NEITHER PARTY SHALL BE LIABLE TO THE OTHER FOR ANY INDIRECT, SPECIAL, INCIDENTAL, OR CONSEQUENTIAL DAMAGES.**

TI currently deals with a variety of customers for products, and therefore our arrangement with the user **is not exclusive.**

TI assumes **no liability for applications assistance, customer product design, software performance, or infringement of patents or services described herein.**

Please read the User's Guide and, specifically, the Warnings and Restrictions notice in the User's Guide prior to handling the product. This notice contains important safety information about temperatures and voltages. For additional information on TI's environmental and/or safety programs, please contact the TI application engineer or visit [www.ti.com/esh](http://www.ti.com/esh).

No license is granted under any patent right or other intellectual property right of TI covering or relating to any machine, process, or combination in which such TI products or services might be or are used.

## FCC Warning

This evaluation board/kit is intended for use for **ENGINEERING DEVELOPMENT, DEMONSTRATION, OR EVALUATION PURPOSES ONLY** and is not considered by TI to be a finished end-product fit for general consumer use. It generates, uses, and can radiate radio frequency energy and has not been tested for compliance with the limits of computing devices pursuant to part 15 of FCC rules, which are designed to provide reasonable protection against radio frequency interference. Operation of this equipment in other environments may cause interference with radio communications, in which case the user at his own expense will be required to take whatever measures may be required to correct this interference.

## EVM Warnings and Restrictions

It is important to operate this EVM within the input voltage range of 0 V to 5V and the output voltage range of 0 V to 5V .

Exceeding the specified input range may cause unexpected operation and/or irreversible damage to the EVM. If there are questions concerning the input range, please contact a TI field representative prior to connecting the input power.

Applying loads outside of the specified output range may result in unintended operation and/or possible permanent damage to the EVM. Please consult the EVM User's Guide prior to connecting any load to the EVM output. If there is uncertainty as to the load specification, please contact a TI field representative.

During normal operation, some circuit components may have case temperatures greater than 60° C. The EVM is designed to operate properly with certain components above 60° C as long as the input and output ranges are maintained. These components include but are not limited to linear regulators, switching transistors, pass transistors, and current sense resistors. These types of devices can be identified using the EVM schematic located in the EVM User's Guide. When placing measurement probes near these devices during operation, please be aware that these devices may be very warm to the touch.

Mailing Address: Texas Instruments, Post Office Box 655303, Dallas, Texas 75265  
Copyright © 2011, Texas Instruments Incorporated

## IMPORTANT NOTICE

Texas Instruments Incorporated and its subsidiaries (TI) reserve the right to make corrections, modifications, enhancements, improvements, and other changes to its products and services at any time and to discontinue any product or service without notice. Customers should obtain the latest relevant information before placing orders and should verify that such information is current and complete. All products are sold subject to TI's terms and conditions of sale supplied at the time of order acknowledgment.

TI warrants performance of its hardware products to the specifications applicable at the time of sale in accordance with TI's standard warranty. Testing and other quality control techniques are used to the extent TI deems necessary to support this warranty. Except where mandated by government requirements, testing of all parameters of each product is not necessarily performed.

TI assumes no liability for applications assistance or customer product design. Customers are responsible for their products and applications using TI components. To minimize the risks associated with customer products and applications, customers should provide adequate design and operating safeguards.

TI does not warrant or represent that any license, either express or implied, is granted under any TI patent right, copyright, mask work right, or other TI intellectual property right relating to any combination, machine, or process in which TI products or services are used. Information published by TI regarding third-party products or services does not constitute a license from TI to use such products or services or a warranty or endorsement thereof. Use of such information may require a license from a third party under the patents or other intellectual property of the third party, or a license from TI under the patents or other intellectual property of TI.

Reproduction of TI information in TI data books or data sheets is permissible only if reproduction is without alteration and is accompanied by all associated warranties, conditions, limitations, and notices. Reproduction of this information with alteration is an unfair and deceptive business practice. TI is not responsible or liable for such altered documentation. Information of third parties may be subject to additional restrictions.

Resale of TI products or services with statements different from or beyond the parameters stated by TI for that product or service voids all express and any implied warranties for the associated TI product or service and is an unfair and deceptive business practice. TI is not responsible or liable for any such statements.

TI products are not authorized for use in safety-critical applications (such as life support) where a failure of the TI product would reasonably be expected to cause severe personal injury or death, unless officers of the parties have executed an agreement specifically governing such use. Buyers represent that they have all necessary expertise in the safety and regulatory ramifications of their applications, and acknowledge and agree that they are solely responsible for all legal, regulatory and safety-related requirements concerning their products and any use of TI products in such safety-critical applications, notwithstanding any applications-related information or support that may be provided by TI. Further, Buyers must fully indemnify TI and its representatives against any damages arising out of the use of TI products in such safety-critical applications.

TI products are neither designed nor intended for use in military/aerospace applications or environments unless the TI products are specifically designated by TI as military-grade or "enhanced plastic." Only products designated by TI as military-grade meet military specifications. Buyers acknowledge and agree that any such use of TI products which TI has not designated as military-grade is solely at the Buyer's risk, and that they are solely responsible for compliance with all legal and regulatory requirements in connection with such use.

TI products are neither designed nor intended for use in automotive applications or environments unless the specific TI products are designated by TI as compliant with ISO/TS 16949 requirements. Buyers acknowledge and agree that, if they use any non-designated products in automotive applications, TI will not be responsible for any failure to meet such requirements.

Following are URLs where you can obtain information on other Texas Instruments products and application solutions:

### Products

Audio	<a href="http://www.ti.com/audio">www.ti.com/audio</a>
Amplifiers	<a href="http://amplifier.ti.com">amplifier.ti.com</a>
Data Converters	<a href="http://dataconverter.ti.com">dataconverter.ti.com</a>
DLP® Products	<a href="http://www.dlp.com">www.dlp.com</a>
DSP	<a href="http://dsp.ti.com">dsp.ti.com</a>
Clocks and Timers	<a href="http://www.ti.com/clocks">www.ti.com/clocks</a>
Interface	<a href="http://interface.ti.com">interface.ti.com</a>
Logic	<a href="http://logic.ti.com">logic.ti.com</a>
Power Mgmt	<a href="http://power.ti.com">power.ti.com</a>
Microcontrollers	<a href="http://microcontroller.ti.com">microcontroller.ti.com</a>
RFID	<a href="http://www.ti-rfid.com">www.ti-rfid.com</a>
OMAP Mobile Processors	<a href="http://www.ti.com/omap">www.ti.com/omap</a>
Wireless Connectivity	<a href="http://www.ti.com/wirelessconnectivity">www.ti.com/wirelessconnectivity</a>

### Applications

Communications and Telecom	<a href="http://www.ti.com/communications">www.ti.com/communications</a>
Computers and Peripherals	<a href="http://www.ti.com/computers">www.ti.com/computers</a>
Consumer Electronics	<a href="http://www.ti.com/consumer-apps">www.ti.com/consumer-apps</a>
Energy and Lighting	<a href="http://www.ti.com/energy">www.ti.com/energy</a>
Industrial	<a href="http://www.ti.com/industrial">www.ti.com/industrial</a>
Medical	<a href="http://www.ti.com/medical">www.ti.com/medical</a>
Security	<a href="http://www.ti.com/security">www.ti.com/security</a>
Space, Avionics and Defense	<a href="http://www.ti.com/space-avionics-defense">www.ti.com/space-avionics-defense</a>
Transportation and Automotive	<a href="http://www.ti.com/automotive">www.ti.com/automotive</a>
Video and Imaging	<a href="http://www.ti.com/video">www.ti.com/video</a>

TI E2E Community Home Page

[e2e.ti.com](http://e2e.ti.com)

Mailing Address: Texas Instruments, Post Office Box 655303, Dallas, Texas 75265  
Copyright © 2011, Texas Instruments Incorporated