

SMP-TPS61202-MVK MAVRK Submodule

User's Guide



Literature Number: SLVU664
March 2012

1	Purpose	4
2	EVM Overview	4
	2.1 EVM Description	4
	2.2 Features	4
	2.3 Featured Applications	5
	2.4 Highlighted Products	5
	2.5 Block Diagram	6
	2.6 EVM Wiki	6
	2.7 EVM Landing Page	6
3	Hardware Description	7
	3.1 Power Requirements	7
	3.2 Connector Signal Descriptions	7
	3.3 Getting Started: Configuring the EVM	7
4	Board Files	9
	4.1 Bill of Materials	9
	4.2 Layout	10
	4.3 Schematics	17
	4.4 Fabrication Drawings	18
	4.5 Request Gerber and Schematic Files	18
5	MAVRK Links	18
	5.1 Additional Information on on MAVRK	18
	5.2 MAVRK Questions	19
	5.3 Additional Technical Information on MAVRK Hardware	19
	5.4 Additional Technical Information on MAVRK Software	19
	5.5 Obtaining a MAVRK Board	19
6	Precautions and Certifications	19
	6.1 ESD Precautions	19
	6.2 Certifications	19

List of Figures

1	SMP-TPS61202-MVK Submodule	4
2	SMP-TPS61202-MVK Block Diagram	6
3	TPS6120x Maximum Current.....	7
4	SMP-TPS61202-MVK Board Silkscreen – Top Side	10
5	SMP-TPS61202-MVK Board Solder Mask – Top Side	11
6	SMP-TPS61202-MVK Board Layer 1 – Top Side	12
7	SMP-TPS61202-MVK Board Layer 2 – Ground Plane	13
8	SMP-TPS61202-MVK Board Layer 3 – Signal	14
9	SMP-TPS61202-MVK Board Layer 4 – Bottom Side	15
10	SMP-TPS61202-MVK Board Solder Mask – Bottom Side	16
11	SMP-TPS61202-MVK Board Silkscreen – Bottom Side.....	17
12	SMP-TPS61202-MVK Schematic	18
13	SMP-TPS61202-MVK Fabrication Drawing	18

SMP-TPS61202-MVK MAVRK Submodule

1 Purpose

This document discusses the Modular and Versatile Reference Kit (MAVRK) [TPS61202](#) boost converter submodule. After reading this guide, a developer should understand the features of the SMP-TPS61202-MVK. For more information on the MAVRK system, see the [MAVRK introduction page](#).

2 EVM Overview

The SMP-TPS61202-MVK highlights the [TPS61202](#) boost converter with 1.3-A switches and down-mode. The SMP-TPS61202-MVK boost converter submodule is intended to step up 0.3 to 5 V DC to a fixed 5 V on [MAVRK PMU](#) modules, such as the [PMU-CARRIER-MVK](#) and [PMU-BAT-MVK](#).

2.1 EVM Description

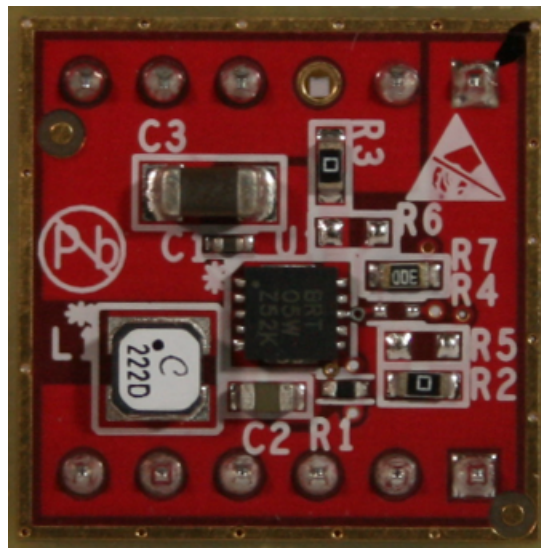


Figure 1. SMP-TPS61202-MVK Submodule

The SMP-TPS61202-MVK contains the [TPS61202](#) integrated circuit (IC) and all other onboard components necessary to generate 5 V from a 0.3–5.5 V source. When the input voltage exceeds the output voltage, the [TPS61202](#) enters a down-conversion mode to maintain 5-V regulation. The SMP-TPS61202-MVK can be used with a [MAVRK PMU](#) carrier board to evaluate the [TPS61202](#) performance as part of a power-management system. An onboard I²C temperature sensor can report the temperature of the board to the carrier board.

2.2 Features

2.2.1 TPS61202 Features

- Fixed 5-V output voltage
- Greater than 90% efficiency at 300-mA output current ($V_{IN} \geq 2.4$ V)

- Automatic transition between boost mode and down-conversion mode
- Device quiescent current less than 55 μ A
- Startup into full load at 0.5-V input voltage
- Operating input voltage range from 0.3 to 5.5 V
- Programmable undervoltage lockout threshold
- Output short-circuit protection under all operating conditions
- Power save mode for improved efficiency at low output power
- Forced fixed frequency operation possible
- Load disconnect during shutdown
- Overtemperature protection
- Small 3 mm x 3 mm QFN-10 package

2.2.2 SMP-TPS61202-MVK Features

- Fixed 5-V output
- Onboard [TMP103](#) I²C temperature sensor
- Compatible with [MAVRK PMU](#) carrier boards
- Breadboard compatible with 0.1-inch headers

2.3 Featured Applications

The SMP-TPS61202-MVK MAVRK submodule can be used on the following applications:

- All single-cell, two-cell, and three-cell alkaline battery powered products (NiCd, NiMH, or single-cell Li)
- Fuel cell and solar cell powered products
- Personal medical products
- White LEDs

2.4 Highlighted Products

The SMP-TPS61202-MVK MAVRK submodule highlights the following devices:

- [TPS61202 0.3-V Input Voltage Boost Converter with 1.3-A Switches and Down Mode in 3x3 QFN](#)
- [TMP103 Digital Temperature Sensor with I2C/SMBUS Expanded Interface](#)

2.5 Block Diagram

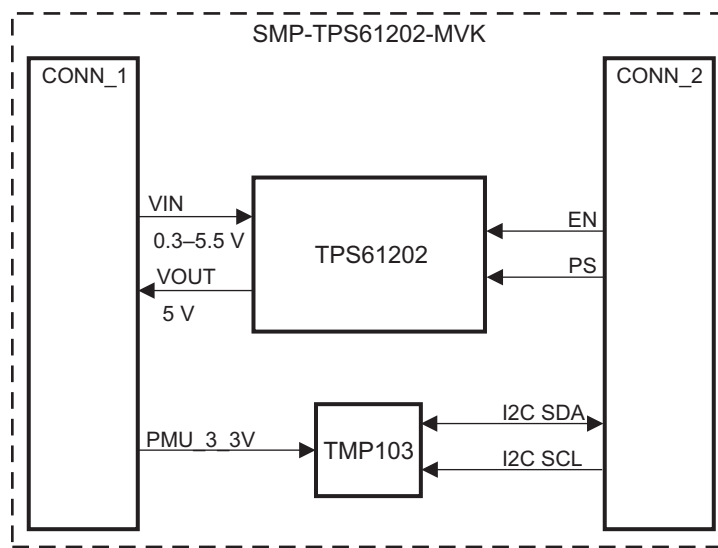


Figure 2. SMP-TPS61202-MVK Block Diagram

2.6 EVM Wiki

[SMP-TPS61202-MVK MAVRK submodule wiki page](#)

2.7 EVM Landing Page

[SMP-TPS61202-MVK MAVRK submodule tool folder](#)

3 Hardware Description

3.1 Power Requirements

The SMP-TPS61202-MVK can accept an input of 0.3 to 5.5 V from the carrier board, and generates a fixed 5-V output. If the [TPS61202](#) input voltage reaches or exceeds the output voltage, the converter automatically changes to a down-conversion mode. In this mode, the control circuit changes the behavior of the two rectifying switches. While switching continues, the control circuit sets the voltage drop across the rectifying switches as high as needed to regulate the output voltage. A high voltage drop causes the power losses in the converter to increase and the power losses must be taken into account for thermal consideration.

The maximum [TPS61202](#) output current is dependent on the input and output voltages, as [Figure 3](#) shows.

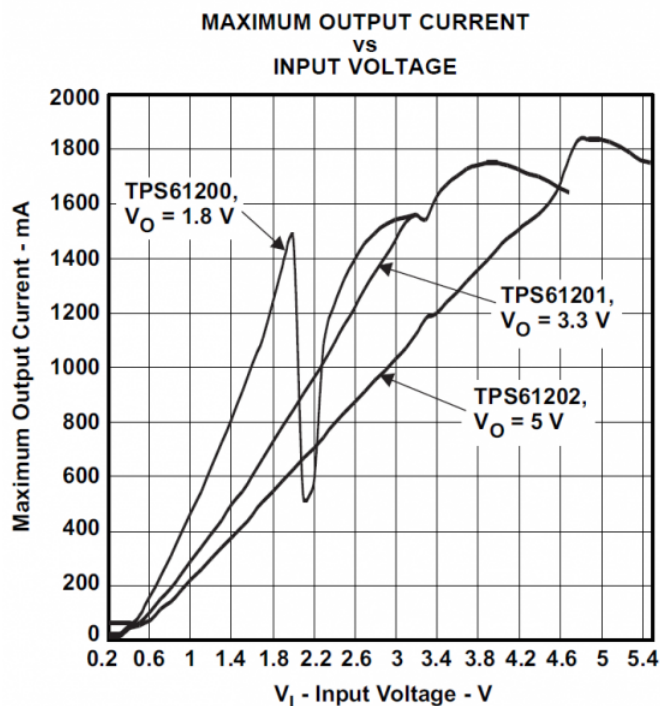


Figure 3. TPS6120x Maximum Current

Due to the small PCB area of the SMP-TPS61202-MVK, do not exceed 0.75 W of power consumption on the board. The onboard temperature sensor can be used to measure the temperature rise at different power levels.

The SMP-TPS61202-MVK can be used in a protoboard if pin 4 of CONN_1 (PMU_3_3V) is tied to a pull-up voltage within the enable (EN) voltage range of the device. To avoid damage to the onboard temperature sensor, this voltage must not exceed 3.6 V. See the [Hardware Design Guide for MAVRK PMU DC-DC Submodules](#) for connector pinout information.

3.2 Connector Signal Descriptions

For information about the SMP-TPS61202-MVK connector pinouts, see the [Hardware Design Guide for MAVRK PMU DC-DC Submodules](#).

3.3 Getting Started: Configuring the EVM

The SMP-TPS61202-MVK is set up by default to enable power save mode at light loads. The power save mode can be set to disabled by default by removing resistor R₇ and installing resistor R₄. This feature can be turned on and off in software by toggling the logic level on the PS pin of connector CONN_2.

The [TPS61200](#) undervoltage lockout (UVLO) input can be used to shut down the main output if the supply voltage falls below the desired UVLO threshold voltage. The UVLO threshold voltage can be programmed using resistors R_2 and R_5 , as [Equation 1](#) shows.

$$R_2 = R_5 \left(\frac{V_{INMIN}}{V_{UVLO}} - 1 \right)$$

where $V_{UVLO} = 250 \text{ mV}$ (1)

Resistor R_5 must be in the 250-k Ω range to have a resistor-divider current approximately 100 times larger than the current into the UVLO pin.

To use the SMP-TPS61202-MVK with a MAVRK system, the SMP-TPS61202-MVK must be connected to a DC-DC converter slot on a [MAVRK PMU](#) carrier board, such as the [PMU-CARRIER-MVK](#). See the [Configuring Power Submodules on a PMU Carrier Board](#) page. for detailed setup information.

4 Board Files

4.1 Bill of Materials

[Download PDF](#) of the bill of materials (BOM).

Table 1. SMP-TPS61202-MVK Bill of Materials

Item	SMP-TPS61202-MVK	Reference Designator	Value	Part Description	Temp °C	Manufacturer	Manufacturer Part Number	Note
1	1	C1	0.1 µF	Capacitor, ceramic, .10 µF, 10 V, X5R, ±10%, 0402	-55 to 85	Taiyo Yuden	LMK105BJ104KV-F	
2	1	C2	10 µF	Capacitor, ceramic, 10 µF, 10 V, X5R, 20%, 0603	-55 to 85	Taiyo Yuden	LMK107BJ106MALTD	
3	1	C3	10 µF	Capacitor, ceramic, 10 µF, 25 V, ±10%, X5R, 0805	-55 to 85	Murata Electronics	GRM21BR61E106KA73L	
4	1	C4	0.01 µF	Capacitor, ceramic, 0.01 µF, 16 V, X7R, ±10%, 0402	-55 to 125	Taiyo Yuden	EMK105B7103KV-F	
5	1	CONN_1	1 x 6	High Temp .100-inch pitch 1x6 Overall 430L Post Gold, Single, 230 Post height Pin three is polarized	-55 to 125	Samtec	HMTSW-106-07-G-S-230-003	
6	1	CONN_2	1 x 6	High Temp .100-inch pitch 1x6 Overall 430L Post Gold, Single, 230 Post height	-55 to 125	Samtec	HMTSW-106-07-G-S-230	
7	1	L1	2.2 µH	Passive_2.2uH_IND_LPS3015		Coilcraft	LPS3015-222MLB	
8	1	R1	10 kΩ	Resistor, 10 kΩ, 1/16 W, 5%, 0402, SMD	±100 ppm/°C	Yageo	RC0402JR-0710KL	
9	1	R2	0 Ω	Resistor, Thick Film, 0 Ω, 0.1 W, -100/+600 ppm/°C, 0402	-100/+600 ppm/°C	Panasonic - ECG	ERJ-2GE0R00X	
10	0	R3	2.00 MΩ	Resistor, 2.00 MΩ, 1/16 W, 1%, 0402, SMD	±100 ppm/°C	Vishay/Dale	CRCW04022M00FKED	
11	0	R4	10 kΩ	Resistor, 10 kΩ, 1/16 W, 5% 0402, SMD	±100 ppm/°C	Yageo	RC0402JR-0710KL	DNI
12	0	R5	1.0 MΩ	Resistor, Thick Film, 1.0 MΩ, 0.1 W, ±5%, 0402	±200 ppm/°C	Panasonic - ECG	ERJ-2GEJ105X	DNI
13	0	R6	200 kΩ	Resistor, 200 kΩ, 1/10 W, 1%, 0402, SMD	±100 ppm/°C	Panasonic - ECG	ERJ-2RKF2003X	
16	1	U2	ADDR = 1110000	IC TEMP SENSOR DGTL SMBUS 4DSBGA - ADDR=1110000	-10 to 100	Texas Instruments	TMP103AYFF	
17	1	R3	0 Ω	Resistor, Thick Film, 0 Ω, 0.1 W, -100/+600 ppm/°C, 0402	-100/+ 600ppm/°C	Panasonic - ECG	ERJ-2GE0R00X	
20	1	LB1	BOARD LABEL	Line 1 SMP-TPS61202-MVK Line 2 BOM REV A		Brady	THT-14-423-10	See Assembly DWG for Label Location
21	1	U1	TPS61202DRC	IC BOOST SYNC 5V .6A 3X3 10SON	-40 to 85	Texas Instruments	TPS61202DRC	
22	1	R7	200K	Resistor, 200 kΩ, 1/10 W, 1%, 0402, SMD	±100 ppm/°C	Panasonic - ECG	ERJ-2RKF2003X	

4.2 Layout

[Download PDF](#) of additional board layers.

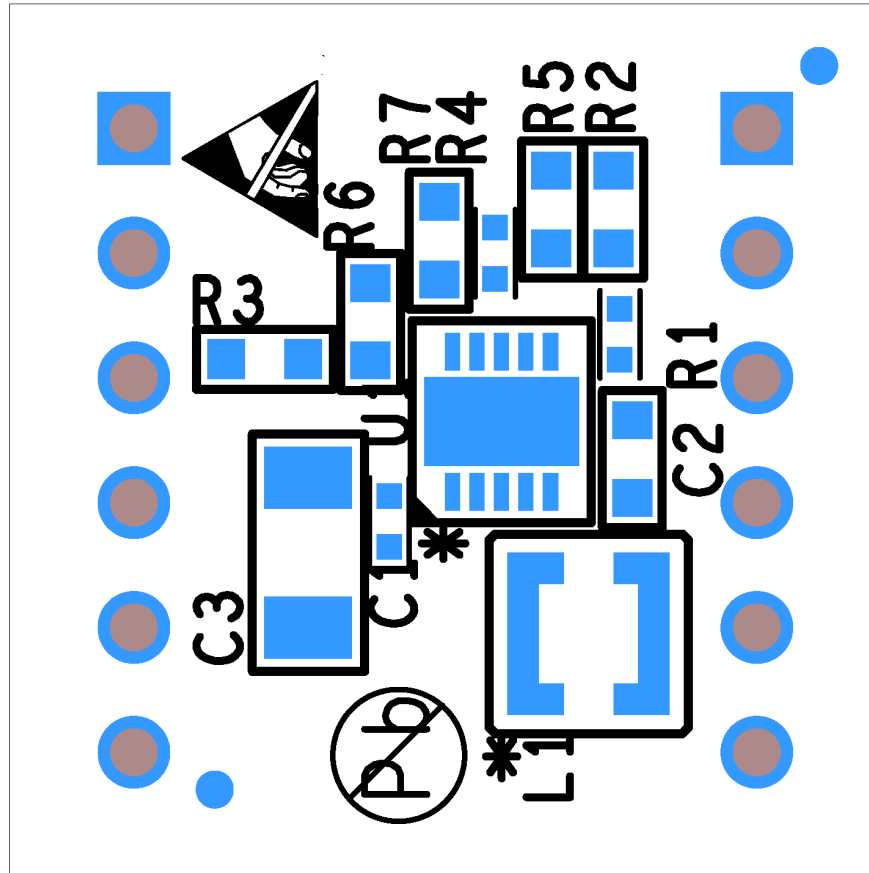


Figure 4. SMP-TPS61202-MVK Board Silkscreen – Top Side

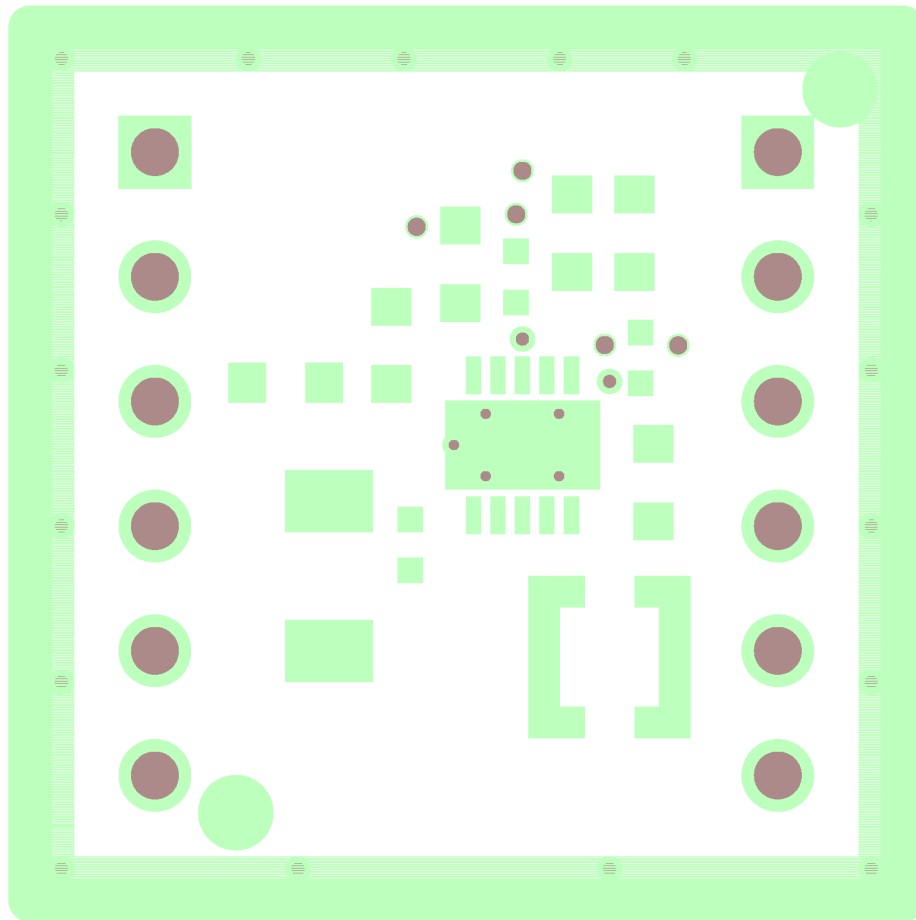


Figure 5. SMP-TPS61202-MVK Board Solder Mask – Top Side

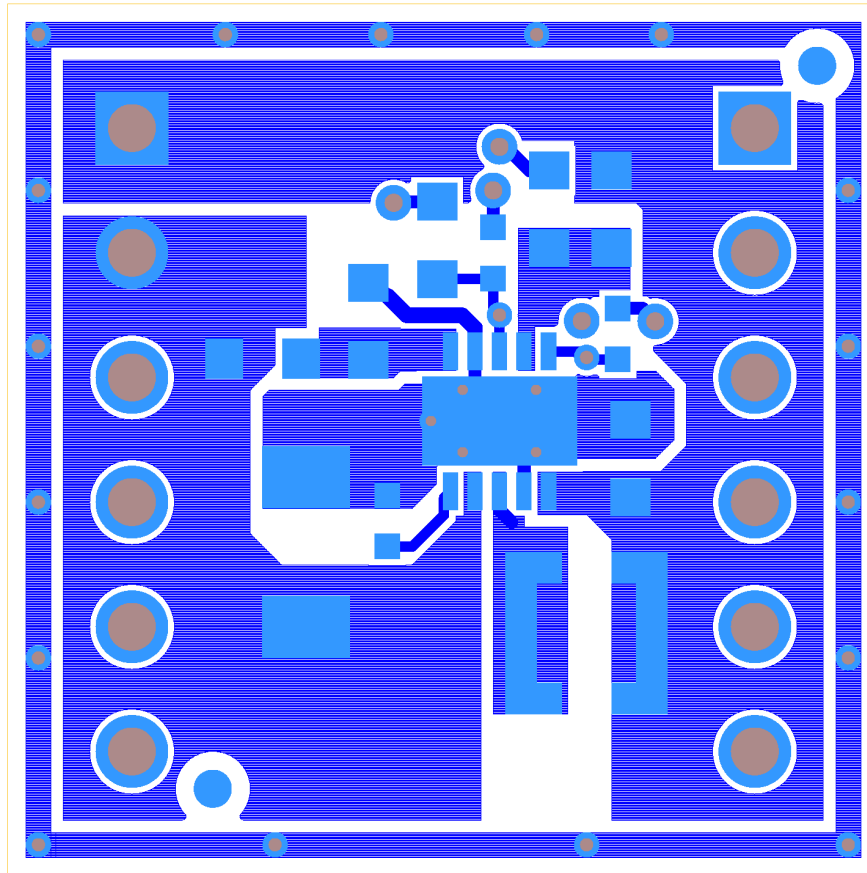


Figure 6. SMP-TPS61202-MVK Board Layer 1 – Top Side

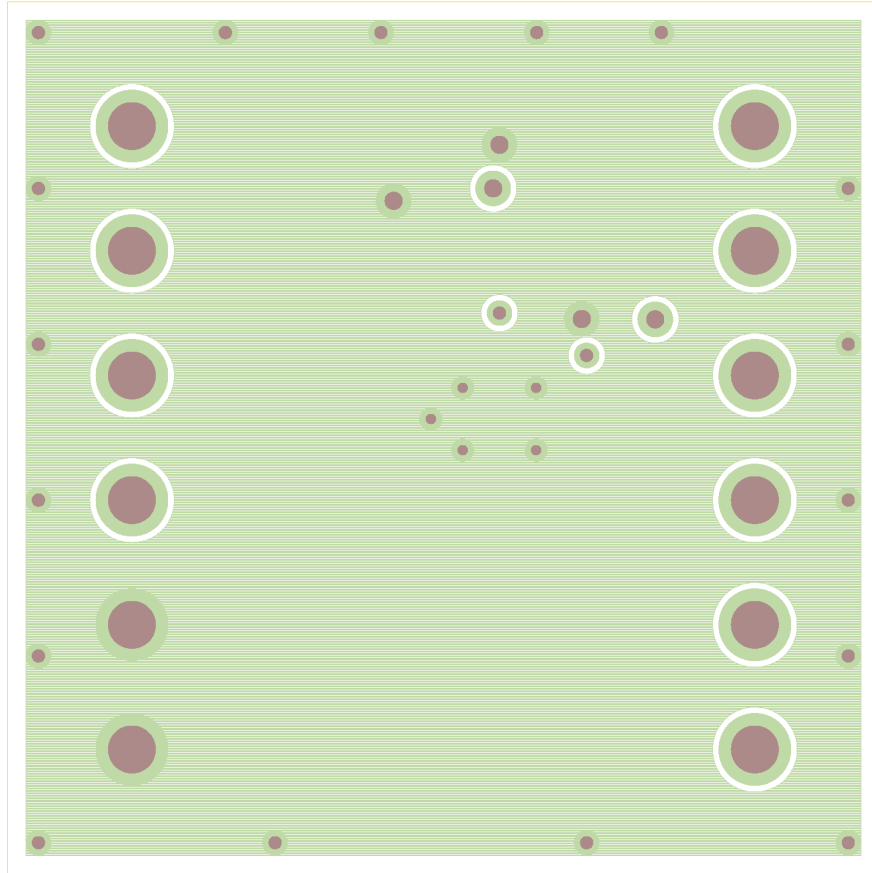


Figure 7. SMP-TPS61202-MVK Board Layer 2 – Ground Plane

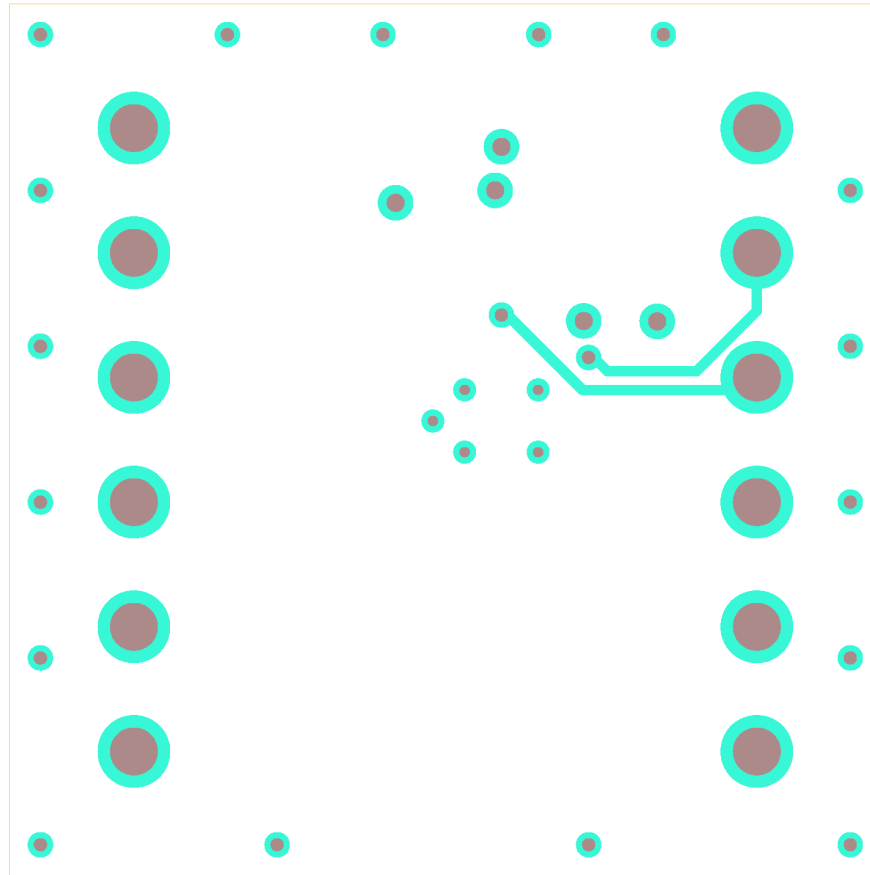


Figure 8. SMP-TPS61202-MVK Board Layer 3 – Signal

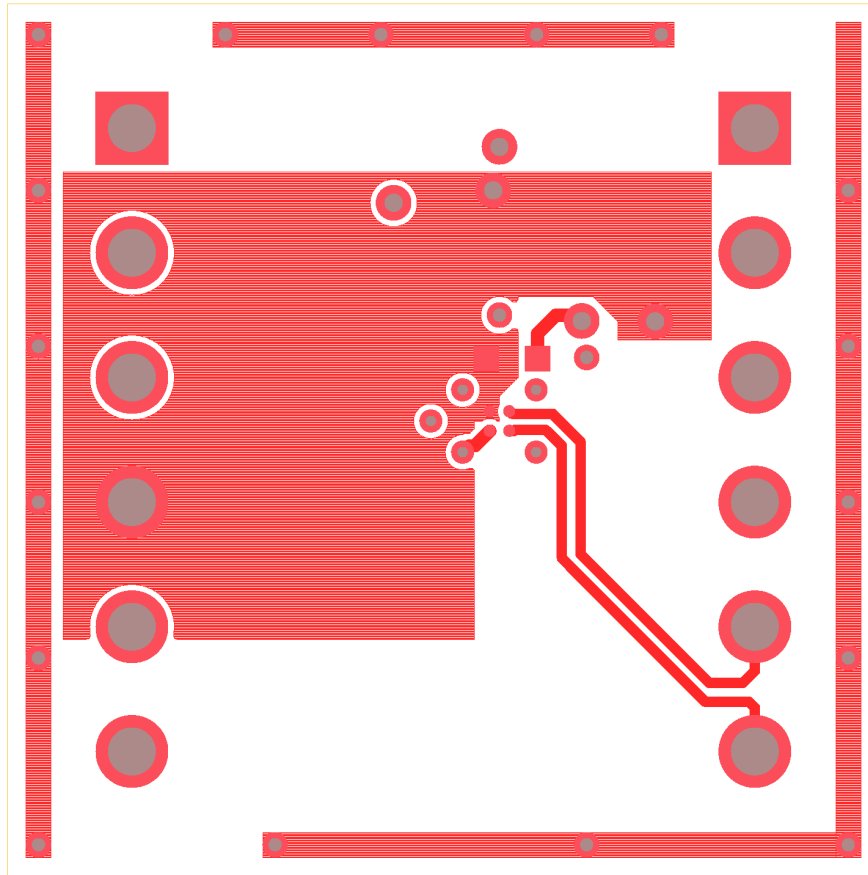


Figure 9. SMP-TPS61202-MVK Board Layer 4 – Bottom Side

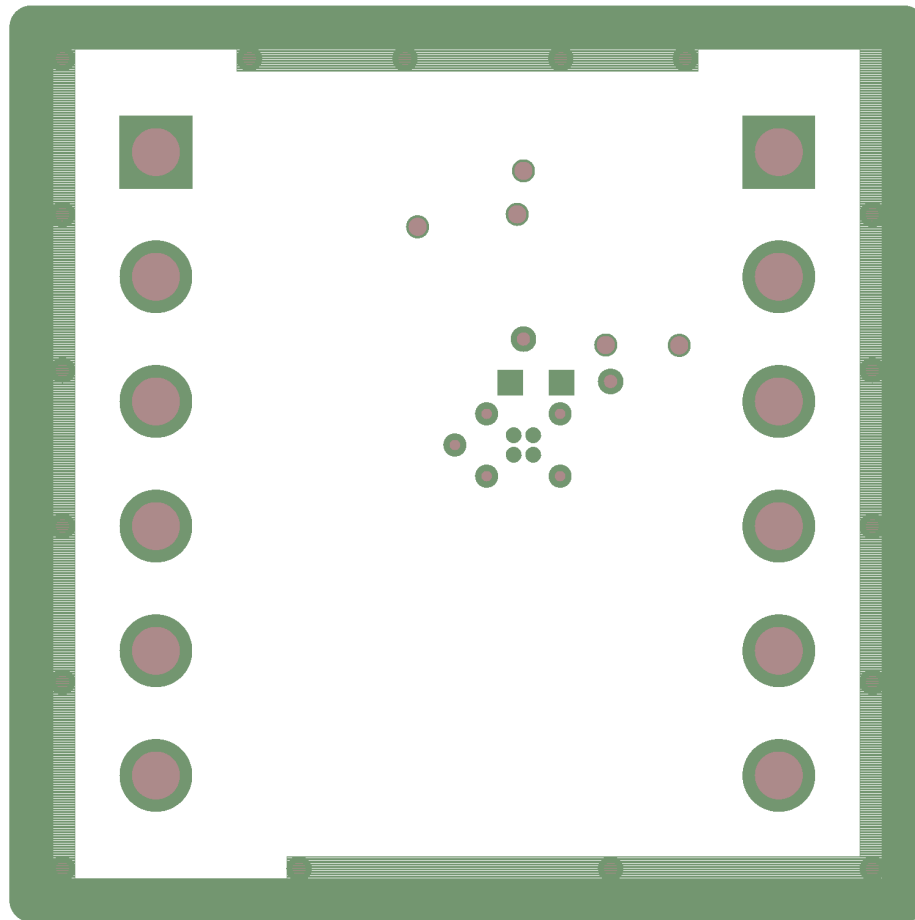


Figure 10. SMP-TPS61202-MVK Board Solder Mask – Bottom Side

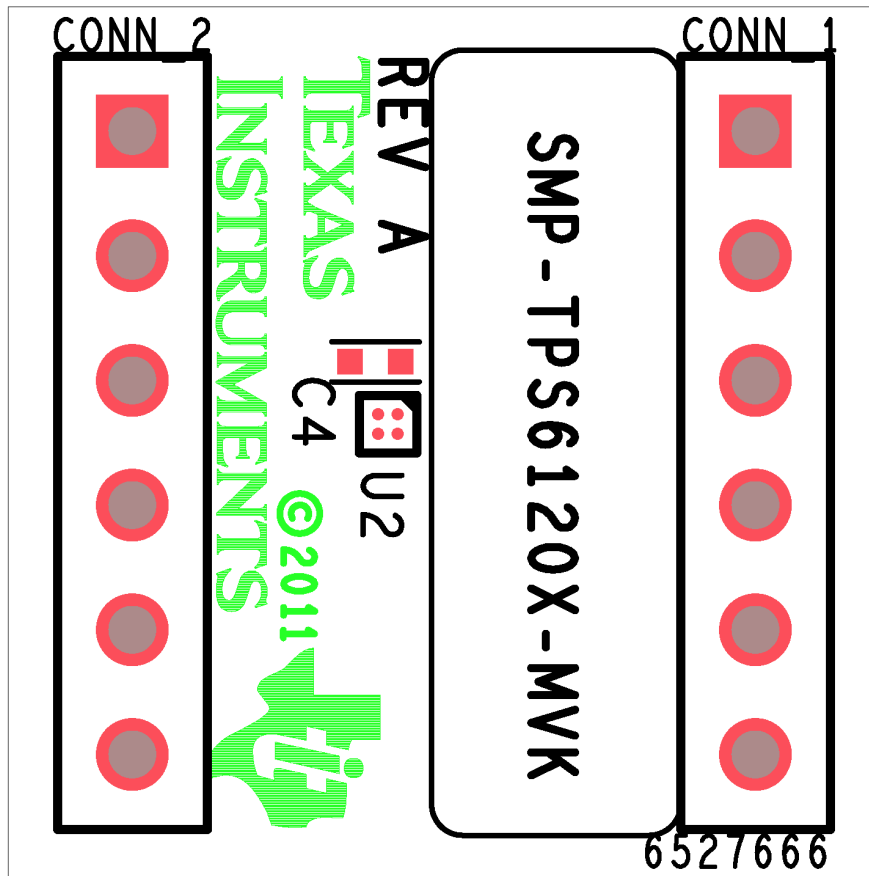


Figure 11. SMP-TPS61202-MVK Board Silkscreen – Bottom Side

4.3 Schematics

[Download PDF](#) of the schematic.

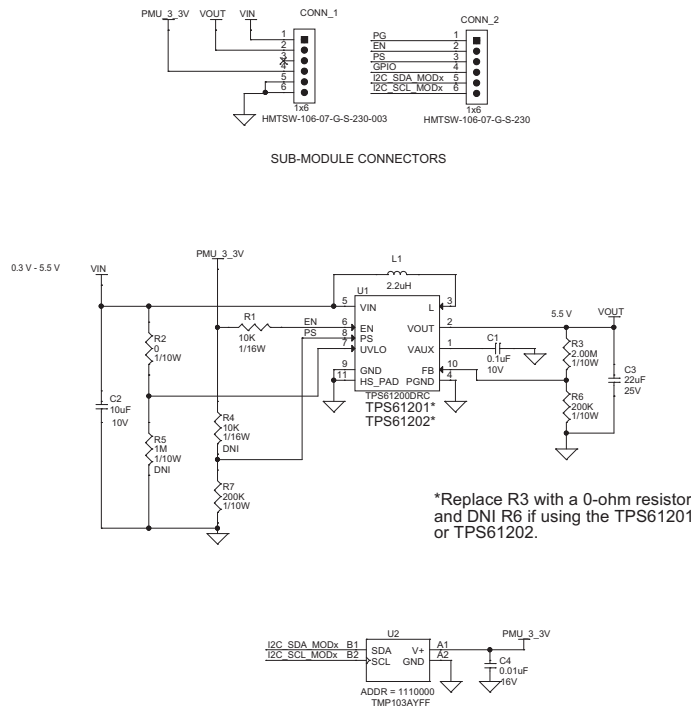


Figure 12. SMP-TPS61202-MVK Schematic

4.4 Fabrication Drawings

[Download PDF](#) of the fabrication drawing.

- UNLESS OTHERWISE SPECIFIED, ALL NOTES ARE APPLICABLE. NOTES PRECEDED BY AN UNMARKED [] ARE NOT APPLICABLE.
- ALL DIMENSIONS ARE IN INCHES UNLESS OTHERWISE NOTED.
 - PC SHALL BE FABRICATED TO IPC-6012, CLASS II AND WORKMANSHIP SHALL CONFORM TO IPC-600, CLASS II CURRENT REVISIONS.
 - MINIMUM COPPER WALL THICKNESS SHALL BE .001 INCH. FOR ALL PLATED THROUGH HOLES.
 - BOARD MATERIAL SHALL BE 180Tg 370HR OR EQUIVALENT. BOARD SHALL MEET OR EXCEED IPC-4101/26. COLOR: NATURAL.
 - BOARD MATERIAL AND CONSTRUCTION TO BE UL 94V-0 APPROVED AND MARKED ON THE FINISHED BOARD.
 - OVERALL BOARD THICKNESS TO BE .062 +/- .005 AND APPLIES AFTER ALL LAMINATION AND PLATING PROCESSES. MEASURED FROM COPPER TO COPPER. [] MANUFACTURE'S UL MARKING, FLAMMABILITY RATING, [] LOGO AND DATE CODE
 - TO BE PLACED IN COPPER ON BOTTOM SIDE OF THE BOARD.
 - PLATE ALL EXPOSED AREAS WITH ELECTROLESS NICKEL IMMERSION GOLD - NICKEL: 100 MICRO-INCHES MIN GOLD: 2-8 MICRO-INCHES MIN
 - APPLY LPI SOLDERMASK OVER BARE COPPER (SMB0C) COLOR: RED SOLDERMASK SHALL CONFORM TO IPC-SM-840 CLASS H, CURRENT REVISION
 - SOLDERMASK ARTWORK HAS ZERO (0) OVERSIZED PADS. FABRICATION VENDOR IS ALLOWED TO ADJUST THE COMPONENT SOLDERMASK PADS TO MEET THEIR TOOLING REQUIREMENTS.
 - SILKSCREEN-APPLY NON-CONDUCTIVE LPI OR EQUIVALENT PER THE ARTWORK COLOR: WHITE
 - P.C. BOARD TO BE FREE OF DIRT, OIL, FINGER PRINTS, ETC.
 - BOARD WARPAGE, WARP AND TWIST SHALL NOT EXCEED .0075 INCH PER INCH MEASURED AT ANY LOCATION OR DIRECTION ON THE BOARD.
 - [] BOARD MUST BE ELECTRICALLY TESTED USING SUPPLIED IPC-D-356 NETLIST.

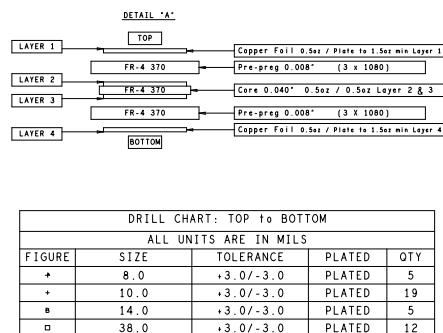


Figure 13. SMP-TPS61202-MVK Fabrication Drawing

4.5 Request Gerber and Schematic Files

To request Gerber or schematic files for the SMP-TPS61202-MVK module, see the [MAVRK Gerber Request](#) webpage.

5 MAVRK Links

5.1 Additional Information on on MAVRK

Visit the [MAVRK wiki pages](#) to get comprehensive information on MAVRK.

5.2 MAVRK Questions

Post any questions on the [MAVRK Forum](#) and get an answer from the MAVRK team.

5.3 Additional Technical Information on MAVRK Hardware

Read through the wiki pages related to [designing MAVRK hardware](#).

5.4 Additional Technical Information on MAVRK Software

Read through the wiki pages related to [working with MAVRK software](#).

5.5 Obtaining a MAVRK Board

See the [MAVRK Starter Kit tool folder page](#) to order a MAVRK Starter kit. To order other modules, search for them by name on the [TI Web site](#) to find their tool folder pages.

6 Precautions and Certifications

6.1 ESD Precautions

The following guidelines should be followed in order to avoid ESD damage to the board components:

- Any person handling boards must be grounded either with a wrist strap or ESD protective footwear, used in conjunction with a conductive or static-dissipative floor or floor mat.
- The work surface where boards are placed for handling, processing, testing, etc., must be made of static-dissipative material and be grounded to ESD ground.
- All insulator materials either must be removed from the work area or they must be neutralized with an ionizer. Static-generating clothes should be covered with an ESD-protective smock.
- When boards are being stored, transferred between operations or workstations, or shipped, they must be maintained in a Faraday-shield container whose inside surface (touching the boards) is static dissipative.

6.2 Certifications

[FCC and ICES standard EMC test report for the SMP-TPS61202-MVK Submodule, aboard the MB-PRO-MVK motherboard](#)

[Eco-Info & Lead-Free Home](#)

[RoHS Compliant Solutions](#)

[Statement on Registration, Evaluation, Authorization of Chemicals \(REACH\)](#)

EVALUATION BOARD/KIT/MODULE (EVM) ADDITIONAL TERMS

Texas Instruments (TI) provides the enclosed Evaluation Board/Kit/Module (EVM) under the following conditions:

The user assumes all responsibility and liability for proper and safe handling of the goods. Further, the user indemnifies TI from all claims arising from the handling or use of the goods.

Should this evaluation board/kit not meet the specifications indicated in the User's Guide, the board/ kit may be returned within 30 days from the date of delivery for a full refund. THE FOREGOING LIMITED WARRANTY IS THE EXCLUSIVE WARRANTY MADE BY SELLER TO BUYER AND IS IN LIEU OF ALL OTHER WARRANTIES, EXPRESSED, IMPLIED, OR STATUTORY, INCLUDING ANY WARRANTY OF MERCHANTABILITY OR FITNESS FOR ANY PARTICULAR PURPOSE. EXCEPT TO THE EXTENT OF THE INDEMNITY SET FORTH ABOVE, NEITHER PARTY SHALL BE LIABLE TO THE OTHER FOR ANY INDIRECT, SPECIAL, INCIDENTAL, OR CONSEQUENTIAL DAMAGES.

Please read the User's Guide and, specifically, the Warnings and Restrictions notice in the User's Guide prior to handling the product. This notice contains important safety information about temperatures and voltages. For additional information on TI's environmental and/or safety programs, please visit www.ti.com/esh or contact TI.

No license is granted under any patent right or other intellectual property right of TI covering or relating to any machine, process, or combination in which such TI products or services might be or are used. TI currently deals with a variety of customers for products, and therefore our arrangement with the user is not exclusive. TI assumes no liability for applications assistance, customer product design, software performance, or infringement of patents or services described herein.

REGULATORY COMPLIANCE INFORMATION

As noted in the EVM User's Guide and/or EVM itself, this EVM and/or accompanying hardware may or may not be subject to the Federal Communications Commission (FCC) and Industry Canada (IC) rules.

For EVMs **not** subject to the above rules, this evaluation board/kit/module is intended for use for ENGINEERING DEVELOPMENT, DEMONSTRATION OR EVALUATION PURPOSES ONLY and is not considered by TI to be a finished end product fit for general consumer use. It generates, uses, and can radiate radio frequency energy and has not been tested for compliance with the limits of computing devices pursuant to part 15 of FCC or ICES-003 rules, which are designed to provide reasonable protection against radio frequency interference. Operation of the equipment may cause interference with radio communications, in which case the user at his own expense will be required to take whatever measures may be required to correct this interference.

General Statement for EVMs including a radio

User Power/Frequency Use Obligations: This radio is intended for development/professional use only in legally allocated frequency and power limits. Any use of radio frequencies and/or power availability of this EVM and its development application(s) must comply with local laws governing radio spectrum allocation and power limits for this evaluation module. It is the user's sole responsibility to only operate this radio in legally acceptable frequency space and within legally mandated power limitations. Any exceptions to this is strictly prohibited and unauthorized by Texas Instruments unless user has obtained appropriate experimental/development licenses from local regulatory authorities, which is responsibility of user including its acceptable authorization.

For EVMs annotated as FCC – FEDERAL COMMUNICATIONS COMMISSION Part 15 Compliant

Caution

This device complies with part 15 of the FCC Rules. Operation is subject to the following two conditions: (1) This device may not cause harmful interference, and (2) this device must accept any interference received, including interference that may cause undesired operation

Changes or modifications not expressly approved by the party responsible for compliance could void the user's authority to operate the equipment.

FCC Interference Statement for Class A EVM devices

This equipment has been tested and found to comply with the limits for a Class A digital device, pursuant to part 15 of the FCC Rules. These limits are designed to provide reasonable protection against harmful interference when the equipment is operated in a commercial environment. This equipment generates, uses, and can radiate radio frequency energy and, if not installed and used in accordance with the instruction manual, may cause harmful interference to radio communications. Operation of this equipment in a residential area is likely to cause harmful interference in which case the user will be required to correct the interference at his own expense.

FCC Interference Statement for Class B EVM devices

This equipment has been tested and found to comply with the limits for a Class B digital device, pursuant to part 15 of the FCC Rules. These limits are designed to provide reasonable protection against harmful interference in a residential installation. This equipment generates, uses and can radiate radio frequency energy and, if not installed and used in accordance with the instructions, may cause harmful interference to radio communications. However, there is no guarantee that interference will not occur in a particular installation. If this equipment does cause harmful interference to radio or television reception, which can be determined by turning the equipment off and on, the user is encouraged to try to correct the interference by one or more of the following measures:

- Reorient or relocate the receiving antenna.
- Increase the separation between the equipment and receiver.
- Connect the equipment into an outlet on a circuit different from that to which the receiver is connected.
- Consult the dealer or an experienced radio/TV technician for help.

For EVMs annotated as IC – INDUSTRY CANADA Compliant

This Class A or B digital apparatus complies with Canadian ICES-003.

Changes or modifications not expressly approved by the party responsible for compliance could void the user's authority to operate the equipment.

Concerning EVMs including radio transmitters

This device complies with Industry Canada licence-exempt RSS standard(s). Operation is subject to the following two conditions: (1) this device may not cause interference, and (2) this device must accept any interference, including interference that may cause undesired operation of the device.

Concerning EVMs including detachable antennas

Under Industry Canada regulations, this radio transmitter may only operate using an antenna of a type and maximum (or lesser) gain approved for the transmitter by Industry Canada. To reduce potential radio interference to other users, the antenna type and its gain should be so chosen that the equivalent isotropically radiated power (e.i.r.p.) is not more than that necessary for successful communication.

This radio transmitter has been approved by Industry Canada to operate with the antenna types listed in the user guide with the maximum permissible gain and required antenna impedance for each antenna type indicated. Antenna types not included in this list, having a gain greater than the maximum gain indicated for that type, are strictly prohibited for use with this device.

Cet appareil numérique de la classe A ou B est conforme à la norme NMB-003 du Canada.

Les changements ou les modifications pas expressément approuvés par la partie responsable de la conformité ont pu vider l'autorité de l'utilisateur pour actionner l'équipement.

Concernant les EVMs avec appareils radio

Le présent appareil est conforme aux CNR d'Industrie Canada applicables aux appareils radio exempts de licence. L'exploitation est autorisée aux deux conditions suivantes : (1) l'appareil ne doit pas produire de brouillage, et (2) l'utilisateur de l'appareil doit accepter tout brouillage radioélectrique subi, même si le brouillage est susceptible d'en compromettre le fonctionnement.

Concernant les EVMs avec antennes détachables

Conformément à la réglementation d'Industrie Canada, le présent émetteur radio peut fonctionner avec une antenne d'un type et d'un gain maximal (ou inférieur) approuvé pour l'émetteur par Industrie Canada. Dans le but de réduire les risques de brouillage radioélectrique à l'intention des autres utilisateurs, il faut choisir le type d'antenne et son gain de sorte que la puissance isotrope rayonnée équivalente (p.i.r.e.) ne dépasse pas l'intensité nécessaire à l'établissement d'une communication satisfaisante.

Le présent émetteur radio a été approuvé par Industrie Canada pour fonctionner avec les types d'antenne énumérés dans le manuel d'usage et ayant un gain admissible maximal et l'impédance requise pour chaque type d'antenne. Les types d'antenne non inclus dans cette liste, ou dont le gain est supérieur au gain maximal indiqué, sont strictement interdits pour l'exploitation de l'émetteur.

【Important Notice for Users of this Product in Japan】

This development kit is NOT certified as Confirming to Technical Regulations of Radio Law of Japan

If you use this product in Japan, you are required by Radio Law of Japan to follow the instructions below with respect to this product:

1. Use this product in a shielded room or any other test facility as defined in the notification #173 issued by Ministry of Internal Affairs and Communications on March 28, 2006, based on Sub-section 1.1 of Article 6 of the Ministry's Rule for Enforcement of Radio Law of Japan,
2. Use this product only after you obtained the license of Test Radio Station as provided in Radio Law of Japan with respect to this product, or
3. Use of this product only after you obtained the Technical Regulations Conformity Certification as provided in Radio Law of Japan with respect to this product. Also, please do not transfer this product, unless you give the same notice above to the transferee. Please note that if you could not follow the instructions above, you will be subject to penalties of Radio Law of Japan.

Texas Instruments Japan Limited
(address) 24-1, Nishi-Shinjuku 6 chome, Shinjuku-ku, Tokyo, Japan

This development kit is NOT certified as Confirming to Technical Regulations of Radio Law of Japan

<http://www.tij.co.jp>

【ご使用にあたっての注】

本開発キットは技術基準適合証明を受けておりません。

本製品のご使用に際しては、電波法遵守のため、以下のいずれかの措置を取っていただく必要がありますのでご注意ください。

1. 電波法施行規則第6条第1項第1号に基づく平成18年3月28日総務省告示第173号で定められた電波暗室等の試験設備でご使用いただく。
2. 実験局の免許を取得後ご使用いただく。
3. 技術基準適合証明を取得後ご使用いただく。

なお、本製品は、上記の「ご使用にあたっての注意」を譲渡先、移転先に通知しない限り、譲渡、移転できないものとします。

上記を遵守頂けない場合は、電波法の罰則が適用される可能性があることをご留意ください。

日本テキサス・インスツルメンツ株式会社

東京都新宿区西新宿 6 丁目 2 4 番 1 号

西新宿三井ビル

<http://www.tij.co.jp>

**EVALUATION BOARD/KIT/MODULE (EVM)
WARNINGS, RESTRICTIONS AND DISCLAIMERS**

For Feasibility Evaluation Only, in Laboratory/Development Environments. Unless otherwise indicated, this EVM is not a finished electrical equipment and not intended for consumer use. It is intended solely for use for preliminary feasibility evaluation in laboratory/development environments by technically qualified electronics experts who are familiar with the dangers and application risks associated with handling electrical mechanical components, systems and subsystems. It should not be used as all or part of a finished end product.

Your Sole Responsibility and Risk. You acknowledge, represent and agree that:

1. You have unique knowledge concerning Federal, State and local regulatory requirements (including but not limited to Food and Drug Administration regulations, if applicable) which relate to your products and which relate to your use (and/or that of your employees, affiliates, contractors or designees) of the EVM for evaluation, testing and other purposes.
2. You have full and exclusive responsibility to assure the safety and compliance of your products with all such laws and other applicable regulatory requirements, and also to assure the safety of any activities to be conducted by you and/or your employees, affiliates, contractors or designees, using the EVM. Further, you are responsible to assure that any interfaces (electronic and/or mechanical) between the EVM and any human body are designed with suitable isolation and means to safely limit accessible leakage currents to minimize the risk of electrical shock hazard.
3. You will employ reasonable safeguards to ensure that your use of the EVM will not result in any property damage, injury or death, even if the EVM should fail to perform as described or expected.
4. You will take care of proper disposal and recycling of the EVM's electronic components and packing materials.

Certain Instructions. It is important to operate this EVM within TI's recommended specifications and environmental considerations per the user guidelines. Exceeding the specified EVM ratings (including but not limited to input and output voltage, current, power, and environmental ranges) may cause property damage, personal injury or death. If there are questions concerning these ratings please contact a TI field representative prior to connecting interface electronics including input power and intended loads. Any loads applied outside of the specified output range may result in unintended and/or inaccurate operation and/or possible permanent damage to the EVM and/or interface electronics. Please consult the EVM User's Guide prior to connecting any load to the EVM output. If there is uncertainty as to the load specification, please contact a TI field representative. During normal operation, some circuit components may have case temperatures greater than 60°C as long as the input and output are maintained at a normal ambient operating temperature. These components include but are not limited to linear regulators, switching transistors, pass transistors, and current sense resistors which can be identified using the EVM schematic located in the EVM User's Guide. When placing measurement probes near these devices during normal operation, please be aware that these devices may be very warm to the touch. As with all electronic evaluation tools, only qualified personnel knowledgeable in electronic measurement and diagnostics normally found in development environments should use these EVMs.

Agreement to Defend, Indemnify and Hold Harmless. You agree to defend, indemnify and hold TI, its licensors and their representatives harmless from and against any and all claims, damages, losses, expenses, costs and liabilities (collectively, "Claims") arising out of or in connection with any use of the EVM that is not in accordance with the terms of the agreement. This obligation shall apply whether Claims arise under law of tort or contract or any other legal theory, and even if the EVM fails to perform as described or expected.

Safety-Critical or Life-Critical Applications. If you intend to evaluate the components for possible use in safety critical applications (such as life support) where a failure of the TI product would reasonably be expected to cause severe personal injury or death, such as devices which are classified as FDA Class III or similar classification, then you must specifically notify TI of such intent and enter into a separate Assurance and Indemnity Agreement.

IMPORTANT NOTICE

Texas Instruments Incorporated and its subsidiaries (TI) reserve the right to make corrections, modifications, enhancements, improvements, and other changes to its products and services at any time and to discontinue any product or service without notice. Customers should obtain the latest relevant information before placing orders and should verify that such information is current and complete. All products are sold subject to TI's terms and conditions of sale supplied at the time of order acknowledgment.

TI warrants performance of its hardware products to the specifications applicable at the time of sale in accordance with TI's standard warranty. Testing and other quality control techniques are used to the extent TI deems necessary to support this warranty. Except where mandated by government requirements, testing of all parameters of each product is not necessarily performed.

TI assumes no liability for applications assistance or customer product design. Customers are responsible for their products and applications using TI components. To minimize the risks associated with customer products and applications, customers should provide adequate design and operating safeguards.

TI does not warrant or represent that any license, either express or implied, is granted under any TI patent right, copyright, mask work right, or other TI intellectual property right relating to any combination, machine, or process in which TI products or services are used. Information published by TI regarding third-party products or services does not constitute a license from TI to use such products or services or a warranty or endorsement thereof. Use of such information may require a license from a third party under the patents or other intellectual property of the third party, or a license from TI under the patents or other intellectual property of TI.

Reproduction of TI information in TI data books or data sheets is permissible only if reproduction is without alteration and is accompanied by all associated warranties, conditions, limitations, and notices. Reproduction of this information with alteration is an unfair and deceptive business practice. TI is not responsible or liable for such altered documentation. Information of third parties may be subject to additional restrictions.

Resale of TI products or services with statements different from or beyond the parameters stated by TI for that product or service voids all express and any implied warranties for the associated TI product or service and is an unfair and deceptive business practice. TI is not responsible or liable for any such statements.

TI products are not authorized for use in safety-critical applications (such as life support) where a failure of the TI product would reasonably be expected to cause severe personal injury or death, unless officers of the parties have executed an agreement specifically governing such use. Buyers represent that they have all necessary expertise in the safety and regulatory ramifications of their applications, and acknowledge and agree that they are solely responsible for all legal, regulatory and safety-related requirements concerning their products and any use of TI products in such safety-critical applications, notwithstanding any applications-related information or support that may be provided by TI. Further, Buyers must fully indemnify TI and its representatives against any damages arising out of the use of TI products in such safety-critical applications.

TI products are neither designed nor intended for use in military/aerospace applications or environments unless the TI products are specifically designated by TI as military-grade or "enhanced plastic." Only products designated by TI as military-grade meet military specifications. Buyers acknowledge and agree that any such use of TI products which TI has not designated as military-grade is solely at the Buyer's risk, and that they are solely responsible for compliance with all legal and regulatory requirements in connection with such use.

TI products are neither designed nor intended for use in automotive applications or environments unless the specific TI products are designated by TI as compliant with ISO/TS 16949 requirements. Buyers acknowledge and agree that, if they use any non-designated products in automotive applications, TI will not be responsible for any failure to meet such requirements.

Following are URLs where you can obtain information on other Texas Instruments products and application solutions:

Products

Audio	www.ti.com/audio
Amplifiers	amplifier.ti.com
Data Converters	dataconverter.ti.com
DLP® Products	www.dlp.com
DSP	dsp.ti.com
Clocks and Timers	www.ti.com/clocks
Interface	interface.ti.com
Logic	logic.ti.com
Power Mgmt	power.ti.com
Microcontrollers	microcontroller.ti.com
RFID	www.ti-rfid.com
OMAP Mobile Processors	www.ti.com/omap
Wireless Connectivity	www.ti.com/wirelessconnectivity

Applications

Automotive and Transportation	www.ti.com/automotive
Communications and Telecom	www.ti.com/communications
Computers and Peripherals	www.ti.com/computers
Consumer Electronics	www.ti.com/consumer-apps
Energy and Lighting	www.ti.com/energy
Industrial	www.ti.com/industrial
Medical	www.ti.com/medical
Security	www.ti.com/security
Space, Avionics and Defense	www.ti.com/space-avionics-defense
Video and Imaging	www.ti.com/video

TI E2E Community Home Page

e2e.ti.com

Mailing Address: Texas Instruments, Post Office Box 655303, Dallas, Texas 75265
Copyright © 2012, Texas Instruments Incorporated