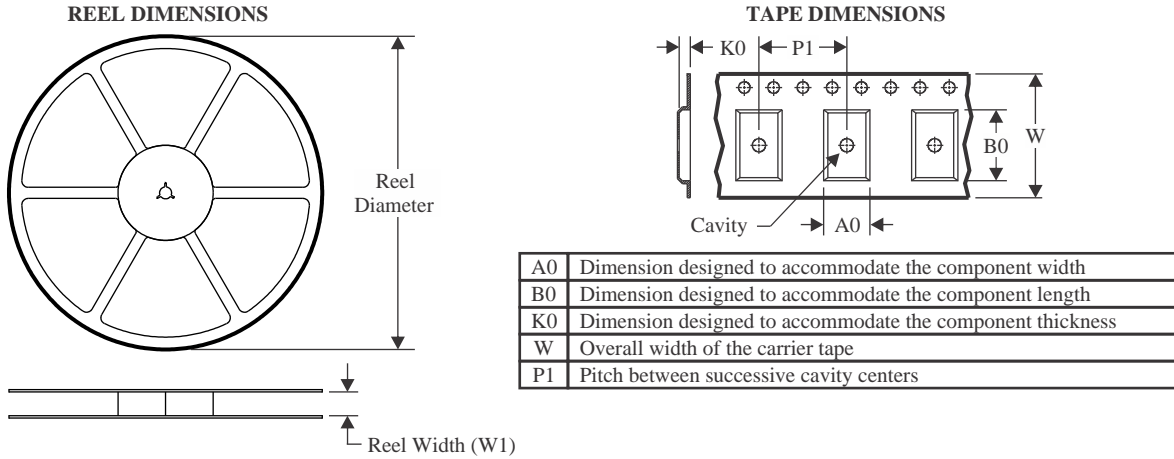
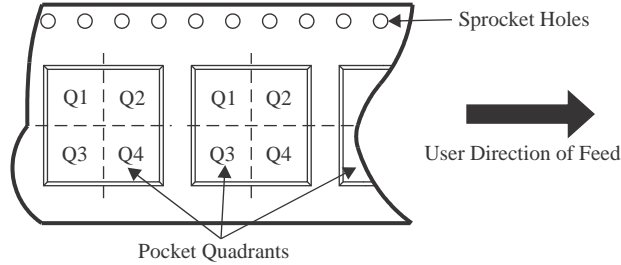


TAPE AND REEL INFORMATION



QUADRANT ASSIGNMENTS FOR PIN 1 ORIENTATION IN TAPE

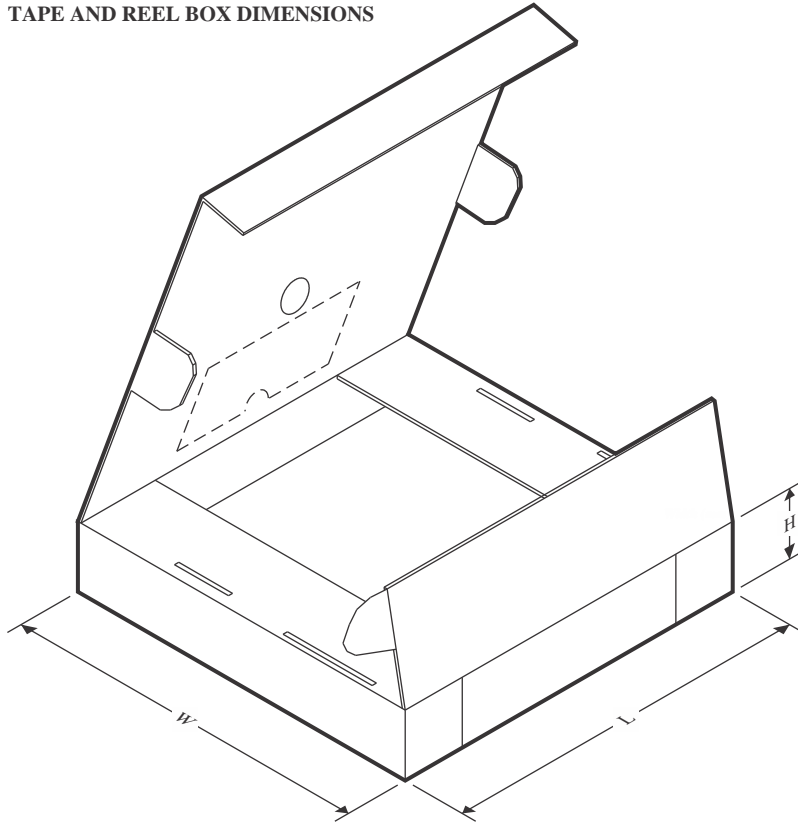


*All dimensions are nominal

Device	Package Type	Package Drawing	Pins	SPQ	Reel Diameter (mm)	Reel Width W1 (mm)	A0 (mm)	B0 (mm)	K0 (mm)	P1 (mm)	W (mm)	Pin1 Quadrant
CDC6CA005120ADLXR	VSON	DLX	4	3000	180.0	8.4	1.85	2.3	1.16	4.0	8.0	Q1
CDC6CA008000ADLFR	VSON	DLF	4	3000	180.0	8.4	2.25	2.8	1.1	4.0	8.0	Q1
CDC6CA008000ADLXR	VSON	DLX	4	3000	180.0	8.4	1.85	2.3	1.16	4.0	8.0	Q1
CDC6CA008192ADLXR	VSON	DLX	4	3000	180.0	8.4	1.85	2.3	1.16	4.0	8.0	Q1
CDC6CA025000ADLER	VSON	DLE	4	3000	330.0	12.4	2.8	3.5	1.2	4.0	12.0	Q1
CDC6CA025000ADLFR	VSON	DLF	4	3000	180.0	8.4	2.25	2.8	1.1	4.0	8.0	Q1
CDC6CA025000EDLXR	VSON	DLX	4	3000	180.0	8.4	1.85	2.3	1.16	4.0	8.0	Q1
CDC6CA050000ADLER	VSON	DLE	4	3000	330.0	12.4	2.8	3.5	1.2	4.0	12.0	Q1
CDC6CA050000ADLFR	VSON	DLF	4	3000	180.0	8.4	2.25	2.8	1.1	4.0	8.0	Q1
CDC6CE001000ADLXR	VSON	DLX	4	3000	180.0	8.4	1.85	2.3	1.16	4.0	8.0	Q1
CDC6CE007056ADLXR	VSON	DLX	4	3000	180.0	8.4	1.85	2.3	1.16	4.0	8.0	Q1
CDC6CE007680ADLXR	VSON	DLX	4	3000	180.0	8.4	1.85	2.3	1.16	4.0	8.0	Q1
CDC6CE008000ADLER	VSON	DLE	4	3000	330.0	12.4	2.8	3.5	1.2	4.0	12.0	Q1
CDC6CE008000ADLFR	VSON	DLF	4	3000	180.0	8.4	2.25	2.8	1.1	4.0	8.0	Q1
CDC6CE008000ADLXR	VSON	DLX	4	3000	180.0	8.4	1.85	2.3	1.16	4.0	8.0	Q1
CDC6CE008000ADLYR	VSON	DLY	4	3000	180.0	8.4	1.45	1.9	1.07	4.0	8.0	Q1

Device	Package Type	Package Drawing	Pins	SPQ	Reel Diameter (mm)	Reel Width W1 (mm)	A0 (mm)	B0 (mm)	K0 (mm)	P1 (mm)	W (mm)	Pin1 Quadrant
CDC6CE008000EDLXR	VSON	DLX	4	3000	180.0	8.4	1.85	2.3	1.16	4.0	8.0	Q1
CDC6CE008192ADLER	VSON	DLE	4	3000	330.0	12.4	2.8	3.5	1.2	4.0	12.0	Q1
CDC6CE008192ADLFR	VSON	DLF	4	3000	180.0	8.4	2.25	2.8	1.1	4.0	8.0	Q1
CDC6CE008192ADLXR	VSON	DLX	4	3000	180.0	8.4	1.85	2.3	1.16	4.0	8.0	Q1
CDC6CE008192ADLYR	VSON	DLY	4	3000	180.0	8.4	1.45	1.9	1.07	4.0	8.0	Q1
CDC6CE010000ADLXR	VSON	DLX	4	3000	180.0	8.4	1.85	2.3	1.16	4.0	8.0	Q1
CDC6CE012000ADLFR	VSON	DLF	4	3000	180.0	8.4	2.25	2.8	1.1	4.0	8.0	Q1
CDC6CE012000ADLXR	VSON	DLX	4	3000	180.0	8.4	1.85	2.3	1.16	4.0	8.0	Q1
CDC6CE012288ADLER	VSON	DLE	4	3000	330.0	12.4	2.8	3.5	1.2	4.0	12.0	Q1
CDC6CE012288ADLFR	VSON	DLF	4	3000	180.0	8.4	2.25	2.8	1.1	4.0	8.0	Q1
CDC6CE012288ADLXR	VSON	DLX	4	3000	180.0	8.4	1.85	2.3	1.16	4.0	8.0	Q1
CDC6CE012288ADLYR	VSON	DLY	4	3000	180.0	8.4	1.45	1.9	1.07	4.0	8.0	Q1
CDC6CE016000ADLXR	VSON	DLX	4	3000	180.0	8.4	1.85	2.3	1.16	4.0	8.0	Q1
CDC6CE019200ADLER	VSON	DLE	4	3000	330.0	12.4	2.8	3.5	1.2	4.0	12.0	Q1
CDC6CE019200ADLFR	VSON	DLF	4	3000	180.0	8.4	2.25	2.8	1.1	4.0	8.0	Q1
CDC6CE019200ADLXR	VSON	DLX	4	3000	180.0	8.4	1.85	2.3	1.16	4.0	8.0	Q1
CDC6CE019200ADLYR	VSON	DLY	4	3000	180.0	8.4	1.45	1.9	1.07	4.0	8.0	Q1
CDC6CE019200EDLXR	VSON	DLX	4	3000	180.0	8.4	1.85	2.3	1.16	4.0	8.0	Q1
CDC6CE020000ADLER	VSON	DLE	4	3000	330.0	12.4	2.8	3.5	1.2	4.0	12.0	Q1
CDC6CE020000ADLFR	VSON	DLF	4	3000	180.0	8.4	2.25	2.8	1.1	4.0	8.0	Q1
CDC6CE020000ADLXR	VSON	DLX	4	3000	180.0	8.4	1.85	2.3	1.16	4.0	8.0	Q1
CDC6CE020000ADLYR	VSON	DLY	4	3000	180.0	8.4	1.45	1.9	1.07	4.0	8.0	Q1
CDC6CE024000ADLER	VSON	DLE	4	3000	330.0	12.4	2.8	3.5	1.2	4.0	12.0	Q1
CDC6CE024000ADLFR	VSON	DLF	4	3000	180.0	8.4	2.25	2.8	1.1	4.0	8.0	Q1
CDC6CE024000ADLXR	VSON	DLX	4	3000	180.0	8.4	1.85	2.3	1.16	4.0	8.0	Q1
CDC6CE024000ADLYR	VSON	DLY	4	3000	180.0	8.4	1.45	1.9	1.07	4.0	8.0	Q1
CDC6CE024000EDLXR	VSON	DLX	4	3000	180.0	8.4	1.85	2.3	1.16	4.0	8.0	Q1
CDC6CE024576ADLXR	VSON	DLX	4	3000	180.0	8.4	1.85	2.3	1.16	4.0	8.0	Q1
CDC6CE025000ADLER	VSON	DLE	4	3000	330.0	12.4	2.8	3.5	1.2	4.0	12.0	Q1
CDC6CE025000ADLFR	VSON	DLF	4	3000	180.0	8.4	2.25	2.8	1.1	4.0	8.0	Q1
CDC6CE025000ADLXR	VSON	DLX	4	3000	180.0	8.4	1.85	2.3	1.16	4.0	8.0	Q1
CDC6CE025000ADLYR	VSON	DLY	4	3000	180.0	8.4	1.45	1.9	1.07	4.0	8.0	Q1
CDC6CE025000CDLYR	VSON	DLY	4	3000	180.0	8.4	1.45	1.9	1.07	4.0	8.0	Q1
CDC6CE025000EDLER	VSON	DLE	4	3000	330.0	12.4	2.8	3.5	1.2	4.0	12.0	Q1
CDC6CE025000EDLFR	VSON	DLF	4	3000	180.0	8.4	2.25	2.8	1.1	4.0	8.0	Q1
CDC6CE025000EDLXR	VSON	DLX	4	3000	180.0	8.4	1.85	2.3	1.16	4.0	8.0	Q1
CDC6CE026000ADLFR	VSON	DLF	4	3000	180.0	8.4	2.25	2.8	1.1	4.0	8.0	Q1
CDC6CE026000ADLXR	VSON	DLX	4	3000	180.0	8.4	1.85	2.3	1.16	4.0	8.0	Q1
CDC6CE026000EDLXR	VSON	DLX	4	3000	180.0	8.4	1.85	2.3	1.16	4.0	8.0	Q1
CDC6CE027000ADLER	VSON	DLE	4	3000	330.0	12.4	2.8	3.5	1.2	4.0	12.0	Q1
CDC6CE027000ADLFR	VSON	DLF	4	3000	180.0	8.4	2.25	2.8	1.1	4.0	8.0	Q1

Device	Package Type	Package Drawing	Pins	SPQ	Reel Diameter (mm)	Reel Width W1 (mm)	A0 (mm)	B0 (mm)	K0 (mm)	P1 (mm)	W (mm)	Pin1 Quadrant
CDC6CE027000ADLXR	VSON	DLX	4	3000	180.0	8.4	1.85	2.3	1.16	4.0	8.0	Q1
CDC6CE027000ADLYR	VSON	DLY	4	3000	180.0	8.4	1.45	1.9	1.07	4.0	8.0	Q1
CDC6CE032768ADLFR	VSON	DLF	4	3000	180.0	8.4	2.25	2.8	1.1	4.0	8.0	Q1
CDC6CE032768ADLXR	VSON	DLX	4	3000	180.0	8.4	1.85	2.3	1.16	4.0	8.0	Q1
CDC6CE033333ADLER	VSON	DLE	4	3000	330.0	12.4	2.8	3.5	1.2	4.0	12.0	Q1
CDC6CE033333ADLFR	VSON	DLF	4	3000	180.0	8.4	2.25	2.8	1.1	4.0	8.0	Q1
CDC6CE033333ADLXR	VSON	DLX	4	3000	180.0	8.4	1.85	2.3	1.16	4.0	8.0	Q1
CDC6CE033333ADLYR	VSON	DLY	4	3000	180.0	8.4	1.45	1.9	1.07	4.0	8.0	Q1
CDC6CE036000ADLXR	VSON	DLX	4	3000	180.0	8.4	1.85	2.3	1.16	4.0	8.0	Q1
CDC6CE038400EDLER	VSON	DLE	4	3000	330.0	12.4	2.8	3.5	1.2	4.0	12.0	Q1
CDC6CE040000ADLER	VSON	DLE	4	3000	330.0	12.4	2.8	3.5	1.2	4.0	12.0	Q1
CDC6CE040000ADLFR	VSON	DLF	4	3000	180.0	8.4	2.25	2.8	1.1	4.0	8.0	Q1
CDC6CE040000ADLXR	VSON	DLX	4	3000	180.0	8.4	1.85	2.3	1.16	4.0	8.0	Q1
CDC6CE040000ADLYR	VSON	DLY	4	3000	180.0	8.4	1.45	1.9	1.07	4.0	8.0	Q1
CDC6CE040000EDLER	VSON	DLE	4	3000	330.0	12.4	2.8	3.5	1.2	4.0	12.0	Q1
CDC6CE043500EDLXR	VSON	DLX	4	3000	180.0	8.4	1.85	2.3	1.16	4.0	8.0	Q1
CDC6CE048000ADLER	VSON	DLE	4	3000	330.0	12.4	2.8	3.5	1.2	4.0	12.0	Q1
CDC6CE048000ADLFR	VSON	DLF	4	3000	180.0	8.4	2.25	2.8	1.1	4.0	8.0	Q1
CDC6CE048000ADLXR	VSON	DLX	4	3000	180.0	8.4	1.85	2.3	1.16	4.0	8.0	Q1
CDC6CE048000ADLYR	VSON	DLY	4	3000	180.0	8.4	1.45	1.9	1.07	4.0	8.0	Q1
CDC6CE050000ADLER	VSON	DLE	4	3000	330.0	12.4	2.8	3.5	1.2	4.0	12.0	Q1
CDC6CE050000ADLFR	VSON	DLF	4	3000	180.0	8.4	2.25	2.8	1.1	4.0	8.0	Q1
CDC6CE050000ADLXR	VSON	DLX	4	3000	180.0	8.4	1.85	2.3	1.16	4.0	8.0	Q1
CDC6CE050000ADLYR	VSON	DLY	4	3000	180.0	8.4	1.45	1.9	1.07	4.0	8.0	Q1
CDC6CE050000EDLXR	VSON	DLX	4	3000	180.0	8.4	1.85	2.3	1.16	4.0	8.0	Q1
CDC6CE066660ADLXR	VSON	DLX	4	3000	180.0	8.4	1.85	2.3	1.16	4.0	8.0	Q1
CDC6CE100000ADLFR	VSON	DLF	4	3000	180.0	8.4	2.25	2.8	1.1	4.0	8.0	Q1
CDC6CE100000ADLXR	VSON	DLX	4	3000	180.0	8.4	1.85	2.3	1.16	4.0	8.0	Q1
CDC6CE125000ADLER	VSON	DLE	4	3000	330.0	12.4	2.8	3.5	1.2	4.0	12.0	Q1
CDC6CE125000ADLFR	VSON	DLF	4	3000	180.0	8.4	2.25	2.8	1.1	4.0	8.0	Q1
CDC6CE125000ADLXR	VSON	DLX	4	3000	180.0	8.4	1.85	2.3	1.16	4.0	8.0	Q1
CDC6CE125000ADLYR	VSON	DLY	4	3000	180.0	8.4	1.45	1.9	1.07	4.0	8.0	Q1
CDC6CE156250ADLFR	VSON	DLF	4	3000	180.0	8.4	2.25	2.8	1.1	4.0	8.0	Q1
CDC6CE156250ADLXR	VSON	DLX	4	3000	180.0	8.4	1.85	2.3	1.16	4.0	8.0	Q1
CDC6CE200000ADLXR	VSON	DLX	4	3000	180.0	8.4	1.85	2.3	1.16	4.0	8.0	Q1

TAPE AND REEL BOX DIMENSIONS


*All dimensions are nominal

Device	Package Type	Package Drawing	Pins	SPQ	Length (mm)	Width (mm)	Height (mm)
CDC6CA005120ADLXR	VSON	DLX	4	3000	182.0	182.0	20.0
CDC6CA008000ADLFR	VSON	DLF	4	3000	182.0	182.0	20.0
CDC6CA008000ADLXR	VSON	DLX	4	3000	182.0	182.0	20.0
CDC6CA008192ADLXR	VSON	DLX	4	3000	182.0	182.0	20.0
CDC6CA025000ADLER	VSON	DLE	4	3000	367.0	367.0	35.0
CDC6CA025000ADLFR	VSON	DLF	4	3000	182.0	182.0	20.0
CDC6CA025000EDLXR	VSON	DLX	4	3000	182.0	182.0	20.0
CDC6CA050000ADLER	VSON	DLE	4	3000	367.0	367.0	35.0
CDC6CA050000ADLFR	VSON	DLF	4	3000	182.0	182.0	20.0
CDC6CE001000ADLXR	VSON	DLX	4	3000	182.0	182.0	20.0
CDC6CE007056ADLXR	VSON	DLX	4	3000	182.0	182.0	20.0
CDC6CE007680ADLXR	VSON	DLX	4	3000	182.0	182.0	20.0
CDC6CE008000ADLER	VSON	DLE	4	3000	367.0	367.0	35.0
CDC6CE008000ADLFR	VSON	DLF	4	3000	182.0	182.0	20.0
CDC6CE008000ADLXR	VSON	DLX	4	3000	182.0	182.0	20.0
CDC6CE008000ADLYR	VSON	DLY	4	3000	182.0	182.0	20.0
CDC6CE008000EDLXR	VSON	DLX	4	3000	182.0	182.0	20.0
CDC6CE008192ADLER	VSON	DLE	4	3000	367.0	367.0	35.0

Device	Package Type	Package Drawing	Pins	SPQ	Length (mm)	Width (mm)	Height (mm)
CDC6CE008192ADLFR	VSON	DLF	4	3000	182.0	182.0	20.0
CDC6CE008192ADLXR	VSON	DLX	4	3000	182.0	182.0	20.0
CDC6CE008192ADLYR	VSON	DLY	4	3000	182.0	182.0	20.0
CDC6CE010000ADLXR	VSON	DLX	4	3000	182.0	182.0	20.0
CDC6CE012000ADLFR	VSON	DLF	4	3000	182.0	182.0	20.0
CDC6CE012000ADLXR	VSON	DLX	4	3000	182.0	182.0	20.0
CDC6CE012288ADLER	VSON	DLE	4	3000	367.0	367.0	35.0
CDC6CE012288ADLFR	VSON	DLF	4	3000	182.0	182.0	20.0
CDC6CE012288ADLXR	VSON	DLX	4	3000	182.0	182.0	20.0
CDC6CE012288ADLYR	VSON	DLY	4	3000	182.0	182.0	20.0
CDC6CE016000ADLXR	VSON	DLX	4	3000	182.0	182.0	20.0
CDC6CE019200ADLER	VSON	DLE	4	3000	367.0	367.0	35.0
CDC6CE019200ADLFR	VSON	DLF	4	3000	182.0	182.0	20.0
CDC6CE019200ADLXR	VSON	DLX	4	3000	182.0	182.0	20.0
CDC6CE019200ADLYR	VSON	DLY	4	3000	182.0	182.0	20.0
CDC6CE019200EDLXR	VSON	DLX	4	3000	182.0	182.0	20.0
CDC6CE020000ADLER	VSON	DLE	4	3000	367.0	367.0	35.0
CDC6CE020000ADLFR	VSON	DLF	4	3000	182.0	182.0	20.0
CDC6CE020000ADLXR	VSON	DLX	4	3000	182.0	182.0	20.0
CDC6CE020000ADLYR	VSON	DLY	4	3000	182.0	182.0	20.0
CDC6CE024000ADLER	VSON	DLE	4	3000	367.0	367.0	35.0
CDC6CE024000ADLFR	VSON	DLF	4	3000	182.0	182.0	20.0
CDC6CE024000ADLXR	VSON	DLX	4	3000	182.0	182.0	20.0
CDC6CE024000ADLYR	VSON	DLY	4	3000	182.0	182.0	20.0
CDC6CE024000EDLXR	VSON	DLX	4	3000	182.0	182.0	20.0
CDC6CE024576ADLXR	VSON	DLX	4	3000	182.0	182.0	20.0
CDC6CE025000ADLER	VSON	DLE	4	3000	367.0	367.0	35.0
CDC6CE025000ADLFR	VSON	DLF	4	3000	182.0	182.0	20.0
CDC6CE025000ADLXR	VSON	DLX	4	3000	182.0	182.0	20.0
CDC6CE025000ADLYR	VSON	DLY	4	3000	182.0	182.0	20.0
CDC6CE025000CDLYR	VSON	DLY	4	3000	182.0	182.0	20.0
CDC6CE025000EDLER	VSON	DLE	4	3000	367.0	367.0	35.0
CDC6CE025000EDLFR	VSON	DLF	4	3000	182.0	182.0	20.0
CDC6CE025000EDLXR	VSON	DLX	4	3000	182.0	182.0	20.0
CDC6CE026000ADLFR	VSON	DLF	4	3000	182.0	182.0	20.0
CDC6CE026000ADLXR	VSON	DLX	4	3000	182.0	182.0	20.0
CDC6CE026000EDLXR	VSON	DLX	4	3000	182.0	182.0	20.0
CDC6CE027000ADLER	VSON	DLE	4	3000	367.0	367.0	35.0
CDC6CE027000ADLFR	VSON	DLF	4	3000	182.0	182.0	20.0
CDC6CE027000ADLXR	VSON	DLX	4	3000	182.0	182.0	20.0
CDC6CE027000ADLYR	VSON	DLY	4	3000	182.0	182.0	20.0
CDC6CE032768ADLFR	VSON	DLF	4	3000	182.0	182.0	20.0
CDC6CE032768ADLXR	VSON	DLX	4	3000	182.0	182.0	20.0

Device	Package Type	Package Drawing	Pins	SPQ	Length (mm)	Width (mm)	Height (mm)
CDC6CE033333ADLER	VSON	DLE	4	3000	367.0	367.0	35.0
CDC6CE033333ADLFR	VSON	DLF	4	3000	182.0	182.0	20.0
CDC6CE033333ADLXR	VSON	DLX	4	3000	182.0	182.0	20.0
CDC6CE033333ADLYR	VSON	DLY	4	3000	182.0	182.0	20.0
CDC6CE036000ADLXR	VSON	DLX	4	3000	182.0	182.0	20.0
CDC6CE038400EDLER	VSON	DLE	4	3000	367.0	367.0	35.0
CDC6CE040000ADLER	VSON	DLE	4	3000	367.0	367.0	35.0
CDC6CE040000ADLFR	VSON	DLF	4	3000	182.0	182.0	20.0
CDC6CE040000ADLXR	VSON	DLX	4	3000	182.0	182.0	20.0
CDC6CE040000ADLYR	VSON	DLY	4	3000	182.0	182.0	20.0
CDC6CE040000EDLER	VSON	DLE	4	3000	367.0	367.0	35.0
CDC6CE043500EDLXR	VSON	DLX	4	3000	182.0	182.0	20.0
CDC6CE048000ADLER	VSON	DLE	4	3000	367.0	367.0	35.0
CDC6CE048000ADLFR	VSON	DLF	4	3000	182.0	182.0	20.0
CDC6CE048000ADLXR	VSON	DLX	4	3000	182.0	182.0	20.0
CDC6CE048000ADLYR	VSON	DLY	4	3000	182.0	182.0	20.0
CDC6CE050000ADLER	VSON	DLE	4	3000	367.0	367.0	35.0
CDC6CE050000ADLFR	VSON	DLF	4	3000	182.0	182.0	20.0
CDC6CE050000ADLXR	VSON	DLX	4	3000	182.0	182.0	20.0
CDC6CE050000ADLYR	VSON	DLY	4	3000	182.0	182.0	20.0
CDC6CE050000EDLXR	VSON	DLX	4	3000	182.0	182.0	20.0
CDC6CE066660ADLXR	VSON	DLX	4	3000	182.0	182.0	20.0
CDC6CE100000ADLFR	VSON	DLF	4	3000	182.0	182.0	20.0
CDC6CE100000ADLXR	VSON	DLX	4	3000	182.0	182.0	20.0
CDC6CE125000ADLER	VSON	DLE	4	3000	367.0	367.0	35.0
CDC6CE125000ADLFR	VSON	DLF	4	3000	182.0	182.0	20.0
CDC6CE125000ADLXR	VSON	DLX	4	3000	182.0	182.0	20.0
CDC6CE125000ADLYR	VSON	DLY	4	3000	182.0	182.0	20.0
CDC6CE156250ADLFR	VSON	DLF	4	3000	182.0	182.0	20.0
CDC6CE156250ADLXR	VSON	DLX	4	3000	182.0	182.0	20.0
CDC6CE200000ADLXR	VSON	DLX	4	3000	182.0	182.0	20.0