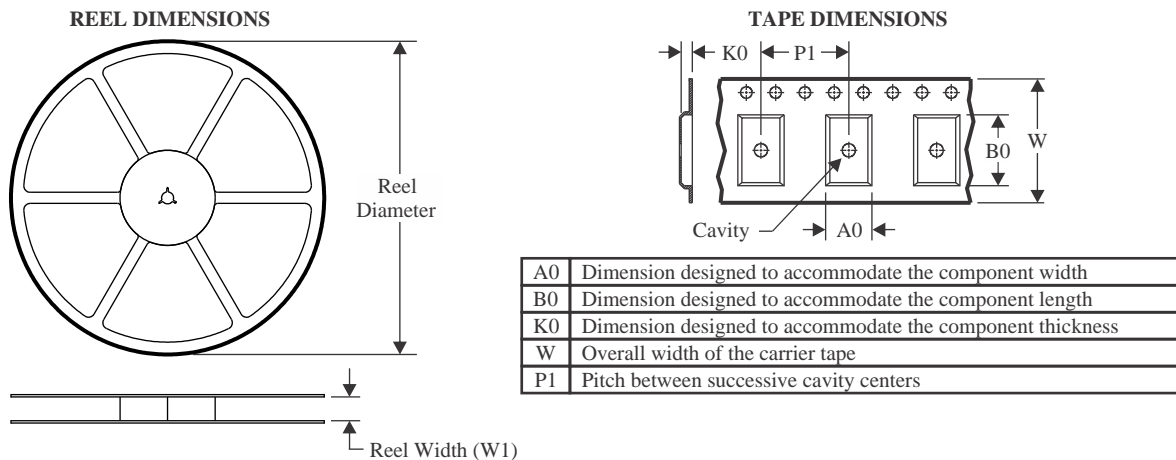


**TAPE AND REEL INFORMATION**

**QUADRANT ASSIGNMENTS FOR PIN 1 ORIENTATION IN TAPE**


\*All dimensions are nominal

Device	Package Type	Package Drawing	Pins	SPQ	Reel Diameter (mm)	Reel Width W1 (mm)	A0 (mm)	B0 (mm)	K0 (mm)	P1 (mm)	W (mm)	Pin1 Quadrant
DRV8245HQPWPRQ1	HTSSOP	PWP	28	2500	330.0	16.4	6.75	10.1	1.8	12.0	16.0	Q1
DRV8245HQRXZRQ1	VQFN-HR	RXZ	16	3000	330.0	12.4	3.8	5.8	1.2	8.0	12.0	Q1
DRV8245PQPWPRQ1	HTSSOP	PWP	28	2500	330.0	16.4	6.9	10.2	1.8	12.0	16.0	Q1
DRV8245SQPWPRQ1	HTSSOP	PWP	28	2500	330.0	16.4	6.75	10.1	1.8	12.0	16.0	Q1
DRV8245SQRXZRQ1	VQFN-HR	RXZ	16	3000	330.0	12.4	3.8	5.8	1.2	8.0	12.0	Q1

## TAPE AND REEL BOX DIMENSIONS



\*All dimensions are nominal

Device	Package Type	Package Drawing	Pins	SPQ	Length (mm)	Width (mm)	Height (mm)
DRV8245HQPWPRQ1	HTSSOP	PWP	28	2500	356.0	356.0	35.0
DRV8245HQRXZRQ1	VQFN-HR	RXZ	16	3000	367.0	367.0	35.0
DRV8245PQPWPRQ1	HTSSOP	PWP	28	2500	356.0	356.0	35.0
DRV8245SQPWPRQ1	HTSSOP	PWP	28	2500	356.0	356.0	35.0
DRV8245SQRXZRQ1	VQFN-HR	RXZ	16	3000	367.0	367.0	35.0