

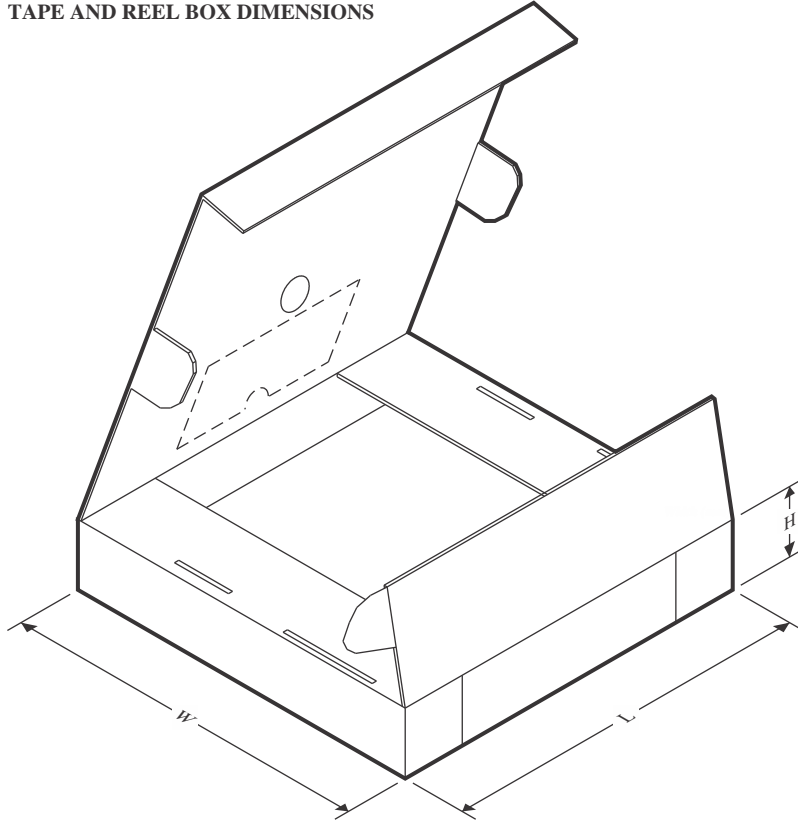
TAPE AND REEL INFORMATION

QUADRANT ASSIGNMENTS FOR PIN 1 ORIENTATION IN TAPE


*All dimensions are nominal

Device	Package Type	Package Drawing	Pins	SPQ	Reel Diameter (mm)	Reel Width W1 (mm)	A0 (mm)	B0 (mm)	K0 (mm)	P1 (mm)	W (mm)	Pin1 Quadrant
INA296A1IDDFR	SOT-23-THIN	DDF	8	3000	180.0	8.4	3.15	3.1	1.55	4.0	8.0	Q3
INA296A1IDGKR	VSSOP	DGK	8	2500	330.0	12.4	5.3	3.4	1.4	8.0	12.0	Q1
INA296A1IDR	SOIC	D	8	2500	330.0	12.4	6.4	5.2	2.1	8.0	12.0	Q1
INA296A2IDDFR	SOT-23-THIN	DDF	8	3000	180.0	8.4	3.15	3.1	1.55	4.0	8.0	Q3
INA296A2IDGKR	VSSOP	DGK	8	2500	330.0	12.4	5.3	3.4	1.4	8.0	12.0	Q1
INA296A2IDR	SOIC	D	8	2500	330.0	12.4	6.4	5.2	2.1	8.0	12.0	Q1
INA296A3IDDFR	SOT-23-THIN	DDF	8	3000	180.0	8.4	3.15	3.1	1.55	4.0	8.0	Q3
INA296A3IDGKR	VSSOP	DGK	8	2500	330.0	12.4	5.3	3.4	1.4	8.0	12.0	Q1
INA296A3IDR	SOIC	D	8	2500	330.0	12.4	6.4	5.2	2.1	8.0	12.0	Q1
INA296A4IDDFR	SOT-23-THIN	DDF	8	3000	180.0	8.4	3.15	3.1	1.55	4.0	8.0	Q3
INA296A4IDGKR	VSSOP	DGK	8	2500	330.0	12.4	5.3	3.4	1.4	8.0	12.0	Q1
INA296A4IDR	SOIC	D	8	2500	330.0	12.4	6.4	5.2	2.1	8.0	12.0	Q1

Device	Package Type	Package Drawing	Pins	SPQ	Reel Diameter (mm)	Reel Width W1 (mm)	A0 (mm)	B0 (mm)	K0 (mm)	P1 (mm)	W (mm)	Pin1 Quadrant
INA296A5IDDFR	SOT-23-THIN	DDF	8	3000	180.0	8.4	3.15	3.1	1.55	4.0	8.0	Q3
INA296A5IDGKR	VSSOP	DGK	8	2500	330.0	12.4	5.3	3.4	1.4	8.0	12.0	Q1
INA296A5IDR	SOIC	D	8	2500	330.0	12.4	6.4	5.2	2.1	8.0	12.0	Q1
INA296B1IDDFR	SOT-23-THIN	DDF	8	3000	180.0	8.4	3.15	3.1	1.55	4.0	8.0	Q3
INA296B1IDGKR	VSSOP	DGK	8	2500	330.0	12.4	5.3	3.4	1.4	8.0	12.0	Q1
INA296B1IDR	SOIC	D	8	2500	330.0	12.4	6.4	5.2	2.1	8.0	12.0	Q1
INA296B2IDDFR	SOT-23-THIN	DDF	8	3000	180.0	8.4	3.15	3.1	1.55	4.0	8.0	Q3
INA296B2IDGKR	VSSOP	DGK	8	2500	330.0	12.4	5.3	3.4	1.4	8.0	12.0	Q1
INA296B2IDR	SOIC	D	8	2500	330.0	12.4	6.4	5.2	2.1	8.0	12.0	Q1
INA296B3IDDFR	SOT-23-THIN	DDF	8	3000	180.0	8.4	3.15	3.1	1.55	4.0	8.0	Q3
INA296B3IDGKR	VSSOP	DGK	8	2500	330.0	12.4	5.3	3.4	1.4	8.0	12.0	Q1
INA296B3IDR	SOIC	D	8	2500	330.0	12.4	6.4	5.2	2.1	8.0	12.0	Q1
INA296B4IDDFR	SOT-23-THIN	DDF	8	3000	180.0	8.4	3.15	3.1	1.55	4.0	8.0	Q3
INA296B4IDGKR	VSSOP	DGK	8	2500	330.0	12.4	5.3	3.4	1.4	8.0	12.0	Q1
INA296B4IDR	SOIC	D	8	2500	330.0	12.4	6.4	5.2	2.1	8.0	12.0	Q1
INA296B5IDDFR	SOT-23-THIN	DDF	8	3000	180.0	8.4	3.15	3.1	1.55	4.0	8.0	Q3
INA296B5IDR	SOIC	D	8	2500	330.0	12.4	6.4	5.2	2.1	8.0	12.0	Q1

TAPE AND REEL BOX DIMENSIONS


*All dimensions are nominal

Device	Package Type	Package Drawing	Pins	SPQ	Length (mm)	Width (mm)	Height (mm)
INA296A1IDDFR	SOT-23-THIN	DDF	8	3000	210.0	185.0	35.0
INA296A1IDGKR	VSSOP	DGK	8	2500	356.0	356.0	35.0
INA296A1IDR	SOIC	D	8	2500	340.5	336.1	25.0
INA296A2IDDFR	SOT-23-THIN	DDF	8	3000	210.0	185.0	35.0
INA296A2IDGKR	VSSOP	DGK	8	2500	356.0	356.0	35.0
INA296A2IDR	SOIC	D	8	2500	340.5	336.1	25.0
INA296A3IDDFR	SOT-23-THIN	DDF	8	3000	210.0	185.0	35.0
INA296A3IDGKR	VSSOP	DGK	8	2500	356.0	356.0	35.0
INA296A3IDR	SOIC	D	8	2500	340.5	336.1	25.0
INA296A4IDDFR	SOT-23-THIN	DDF	8	3000	210.0	185.0	35.0
INA296A4IDGKR	VSSOP	DGK	8	2500	356.0	356.0	35.0
INA296A4IDR	SOIC	D	8	2500	340.5	336.1	25.0
INA296A5IDDFR	SOT-23-THIN	DDF	8	3000	210.0	185.0	35.0
INA296A5IDGKR	VSSOP	DGK	8	2500	356.0	356.0	35.0
INA296A5IDR	SOIC	D	8	2500	340.5	336.1	25.0
INA296B1IDDFR	SOT-23-THIN	DDF	8	3000	210.0	185.0	35.0
INA296B1IDGKR	VSSOP	DGK	8	2500	356.0	356.0	35.0
INA296B1IDR	SOIC	D	8	2500	340.5	336.1	25.0

Device	Package Type	Package Drawing	Pins	SPQ	Length (mm)	Width (mm)	Height (mm)
INA296B2IDDFR	SOT-23-THIN	DDF	8	3000	210.0	185.0	35.0
INA296B2IDGKR	VSSOP	DGK	8	2500	356.0	356.0	35.0
INA296B2IDR	SOIC	D	8	2500	340.5	336.1	25.0
INA296B3IDDFR	SOT-23-THIN	DDF	8	3000	210.0	185.0	35.0
INA296B3IDGKR	VSSOP	DGK	8	2500	356.0	356.0	35.0
INA296B3IDR	SOIC	D	8	2500	340.5	336.1	25.0
INA296B4IDDFR	SOT-23-THIN	DDF	8	3000	210.0	185.0	35.0
INA296B4IDGKR	VSSOP	DGK	8	2500	356.0	356.0	35.0
INA296B4IDR	SOIC	D	8	2500	340.5	336.1	25.0
INA296B5IDDFR	SOT-23-THIN	DDF	8	3000	210.0	185.0	35.0
INA296B5IDR	SOIC	D	8	2500	340.5	336.1	25.0