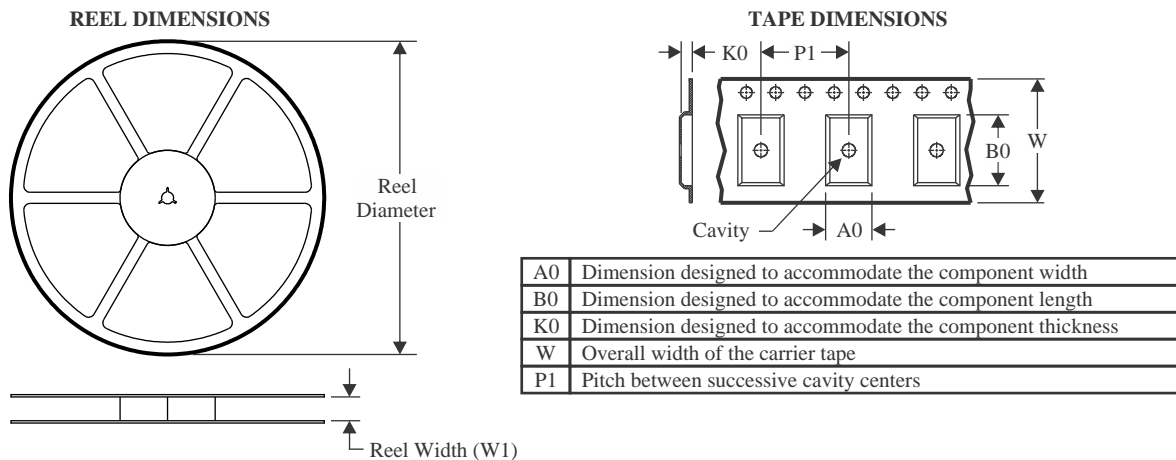


TAPE AND REEL INFORMATION

QUADRANT ASSIGNMENTS FOR PIN 1 ORIENTATION IN TAPE


*All dimensions are nominal

| Device | Package Type | Package Drawing | Pins | SPQ | Reel Diameter (mm) | Reel Width W1 (mm) | A0 (mm) | B0 (mm) | K0 (mm) | P1 (mm) | W (mm) | Pin1 Quadrant |
|---------------|--------------|-----------------|------|------|--------------------|--------------------|---------|---------|---------|---------|--------|---------------|
| OPA137N/3K | SOT-23 | DBV | 5 | 3000 | 178.0 | 8.4 | 3.2 | 3.2 | 1.4 | 4.0 | 8.0 | Q3 |
| OPA137NA/3K | SOT-23 | DBV | 5 | 3000 | 180.0 | 8.4 | 3.2 | 3.2 | 1.4 | 4.0 | 8.0 | Q3 |
| OPA137UA/2K5 | SOIC | D | 8 | 2500 | 330.0 | 12.4 | 6.4 | 5.2 | 2.1 | 8.0 | 12.0 | Q1 |
| OPA2137E/2K5 | VSSOP | DGK | 8 | 2500 | 330.0 | 12.4 | 5.25 | 3.35 | 1.25 | 8.0 | 12.0 | Q1 |
| OPA2137EA/2K5 | VSSOP | DGK | 8 | 2500 | 330.0 | 12.4 | 5.25 | 3.35 | 1.25 | 8.0 | 12.0 | Q1 |
| OPA2137U/2K5 | SOIC | D | 8 | 2500 | 330.0 | 12.4 | 6.4 | 5.2 | 2.1 | 8.0 | 12.0 | Q1 |
| OPA2137UA/2K5 | SOIC | D | 8 | 2500 | 330.0 | 12.4 | 6.4 | 5.2 | 2.1 | 8.0 | 12.0 | Q1 |
| OPA4137U/2K5 | SOIC | D | 14 | 2500 | 330.0 | 16.4 | 6.5 | 9.0 | 2.1 | 8.0 | 16.0 | Q1 |
| OPA4137UA/2K5 | SOIC | D | 14 | 2500 | 330.0 | 16.4 | 6.5 | 9.0 | 2.1 | 8.0 | 16.0 | Q1 |

TAPE AND REEL BOX DIMENSIONS


*All dimensions are nominal

| Device | Package Type | Package Drawing | Pins | SPQ | Length (mm) | Width (mm) | Height (mm) |
|---------------|--------------|-----------------|------|------|-------------|------------|-------------|
| OPA137N/3K | SOT-23 | DBV | 5 | 3000 | 208.0 | 191.0 | 35.0 |
| OPA137NA/3K | SOT-23 | DBV | 5 | 3000 | 210.0 | 185.0 | 35.0 |
| OPA137UA/2K5 | SOIC | D | 8 | 2500 | 353.0 | 353.0 | 32.0 |
| OPA2137E/2K5 | VSSOP | DGK | 8 | 2500 | 366.0 | 364.0 | 50.0 |
| OPA2137EA/2K5 | VSSOP | DGK | 8 | 2500 | 366.0 | 364.0 | 50.0 |
| OPA2137U/2K5 | SOIC | D | 8 | 2500 | 353.0 | 353.0 | 32.0 |
| OPA2137UA/2K5 | SOIC | D | 8 | 2500 | 353.0 | 353.0 | 32.0 |
| OPA4137U/2K5 | SOIC | D | 14 | 2500 | 353.0 | 353.0 | 32.0 |
| OPA4137UA/2K5 | SOIC | D | 14 | 2500 | 353.0 | 353.0 | 32.0 |

TUBE


*All dimensions are nominal

| Device | Package Name | Package Type | Pins | SPQ | L (mm) | W (mm) | T (μm) | B (mm) |
|-------------|--------------|--------------|------|-----|--------|--------|--------|--------|
| OPA137U | D | SOIC | 8 | 75 | 506.6 | 8 | 3940 | 4.32 |
| OPA137U.A | D | SOIC | 8 | 75 | 506.6 | 8 | 3940 | 4.32 |
| OPA137UA | D | SOIC | 8 | 75 | 506.6 | 8 | 3940 | 4.32 |
| OPA137UA.A | D | SOIC | 8 | 75 | 506.6 | 8 | 3940 | 4.32 |
| OPA2137P | P | PDIP | 8 | 50 | 506 | 13.97 | 11230 | 4.32 |
| OPA2137P.A | P | PDIP | 8 | 50 | 506 | 13.97 | 11230 | 4.32 |
| OPA2137PA | P | PDIP | 8 | 50 | 506 | 13.97 | 11230 | 4.32 |
| OPA2137PA.A | P | PDIP | 8 | 50 | 506 | 13.97 | 11230 | 4.32 |
| OPA4137P | N | PDIP | 14 | 25 | 506 | 13.97 | 11230 | 4.32 |
| OPA4137P.A | N | PDIP | 14 | 25 | 506 | 13.97 | 11230 | 4.32 |
| OPA4137PA | N | PDIP | 14 | 25 | 506 | 13.97 | 11230 | 4.32 |
| OPA4137PA.A | N | PDIP | 14 | 25 | 506 | 13.97 | 11230 | 4.32 |
| OPA4137PAG4 | N | PDIP | 14 | 25 | 506 | 13.97 | 11230 | 4.32 |