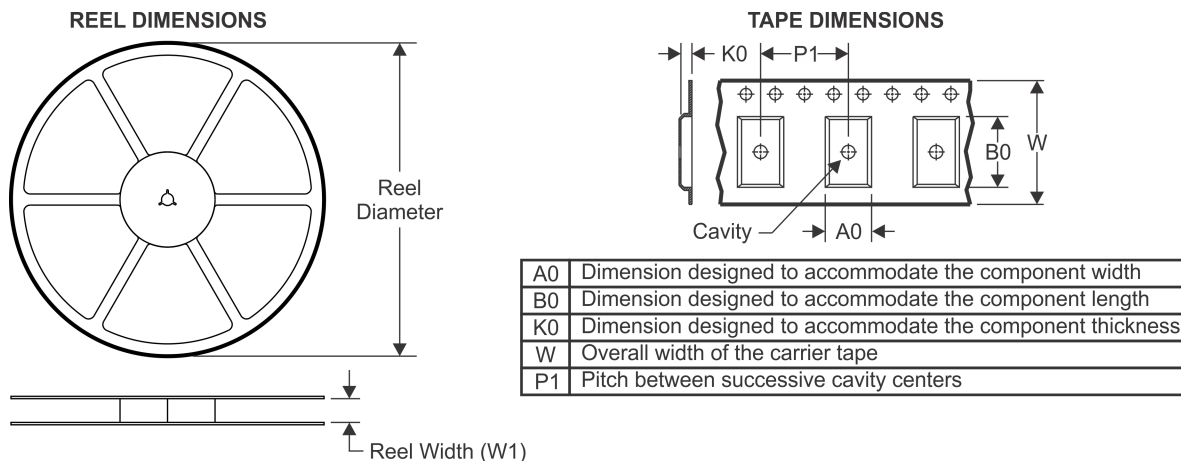


TAPE AND REEL INFORMATION



QUADRANT ASSIGNMENTS FOR PIN 1 ORIENTATION IN TAPE

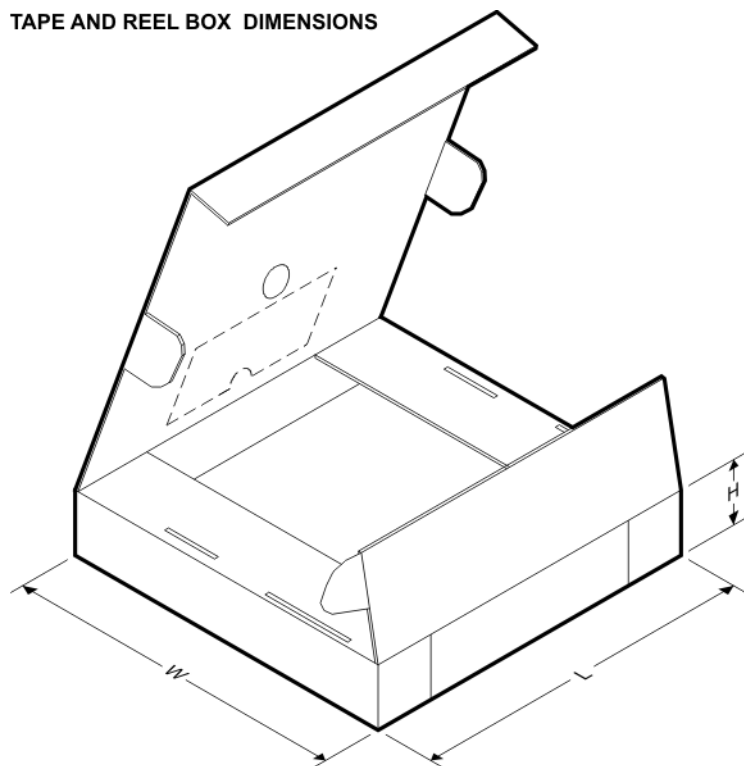


*All dimensions are nominal

| Device | Package Type | Package Drawing | Pins | SPQ | Reel Diameter (mm) | Reel Width W1 (mm) | A0 (mm) | B0 (mm) | K0 (mm) | P1 (mm) | W (mm) | Pin1 Quadrant |
|-------------------|--------------|-----------------|------|------|--------------------|--------------------|---------|---------|---------|---------|--------|---------------|
| TLV1117-15CDCYR | SOT-223 | DCY | 4 | 2500 | 330.0 | 12.4 | 7.0 | 7.42 | 2.0 | 8.0 | 12.0 | Q3 |
| TLV1117-15CDCYR | SOT-223 | DCY | 4 | 2500 | 330.0 | 12.4 | 7.05 | 7.4 | 1.9 | 8.0 | 12.0 | Q3 |
| TLV1117-15CDRJR | SON | DRJ | 8 | 3000 | 330.0 | 12.4 | 4.25 | 4.25 | 1.15 | 8.0 | 12.0 | Q2 |
| TLV1117-15IDCYR | SOT-223 | DCY | 4 | 2500 | 330.0 | 12.4 | 7.0 | 7.42 | 2.0 | 8.0 | 12.0 | Q3 |
| TLV1117-15IDCYR | SOT-223 | DCY | 4 | 2500 | 330.0 | 12.4 | 7.05 | 7.4 | 1.9 | 8.0 | 12.0 | Q3 |
| TLV1117-15IKVURG3 | TO-252 | KVU | 3 | 2500 | 330.0 | 16.4 | 6.9 | 10.5 | 2.7 | 8.0 | 16.0 | Q2 |
| TLV1117-15IKVURG3 | TO-252 | KVU | 3 | 2500 | 330.0 | 16.4 | 6.9 | 10.5 | 2.8 | 8.0 | 16.0 | Q2 |
| TLV1117-18CDCYR | SOT-223 | DCY | 4 | 2500 | 330.0 | 12.4 | 6.55 | 7.25 | 1.9 | 8.0 | 12.0 | Q3 |
| TLV1117-18CDCYR | SOT-223 | DCY | 4 | 2500 | 330.0 | 12.4 | 7.0 | 7.42 | 2.0 | 8.0 | 12.0 | Q3 |
| TLV1117-18CDRJR | SON | DRJ | 8 | 3000 | 330.0 | 12.4 | 4.25 | 4.25 | 1.15 | 8.0 | 12.0 | Q2 |
| TLV1117-18CKVURG3 | TO-252 | KVU | 3 | 2500 | 330.0 | 16.4 | 6.9 | 10.5 | 2.7 | 8.0 | 16.0 | Q2 |
| TLV1117-18CKVURG3 | TO-252 | KVU | 3 | 2500 | 330.0 | 16.4 | 6.9 | 10.5 | 2.8 | 8.0 | 16.0 | Q2 |
| TLV1117-18IDCYR | SOT-223 | DCY | 4 | 2500 | 330.0 | 12.4 | 7.0 | 7.42 | 2.0 | 8.0 | 12.0 | Q3 |
| TLV1117-18IDCYR | SOT-223 | DCY | 4 | 2500 | 330.0 | 12.4 | 6.55 | 7.25 | 1.9 | 8.0 | 12.0 | Q3 |
| TLV1117-18IDRJR | SON | DRJ | 8 | 1000 | 180.0 | 12.4 | 4.25 | 4.25 | 1.15 | 8.0 | 12.0 | Q2 |
| TLV1117-18IKVURG3 | TO-252 | KVU | 3 | 2500 | 330.0 | 16.4 | 6.9 | 10.5 | 2.7 | 8.0 | 16.0 | Q2 |
| TLV1117-18IKVURG3 | TO-252 | KVU | 3 | 2500 | 330.0 | 16.4 | 6.9 | 10.5 | 2.8 | 8.0 | 16.0 | Q2 |
| TLV1117-25CDCYR | SOT-223 | DCY | 4 | 2500 | 330.0 | 12.4 | 7.05 | 7.4 | 1.9 | 8.0 | 12.0 | Q3 |

| Device | Package Type | Package Drawing | Pins | SPQ | Reel Diameter (mm) | Reel Width W1 (mm) | A0 (mm) | B0 (mm) | K0 (mm) | P1 (mm) | W (mm) | Pin1 Quadrant |
|-------------------|------------------|-----------------|------|------|--------------------|--------------------|---------|---------|---------|---------|--------|---------------|
| TLV1117-25CDCYR | SOT-223 | DCY | 4 | 2500 | 330.0 | 12.4 | 7.0 | 7.42 | 2.0 | 8.0 | 12.0 | Q3 |
| TLV1117-25CKVURG3 | TO-252 | KVU | 3 | 2500 | 330.0 | 16.4 | 6.9 | 10.5 | 2.8 | 8.0 | 16.0 | Q2 |
| TLV1117-25CKVURG3 | TO-252 | KVU | 3 | 2500 | 330.0 | 16.4 | 6.9 | 10.5 | 2.7 | 8.0 | 16.0 | Q2 |
| TLV1117-25IDCYR | SOT-223 | DCY | 4 | 2500 | 330.0 | 12.4 | 7.0 | 7.42 | 2.0 | 8.0 | 12.0 | Q3 |
| TLV1117-25IDCYR | SOT-223 | DCY | 4 | 2500 | 330.0 | 12.4 | 7.05 | 7.4 | 1.9 | 8.0 | 12.0 | Q3 |
| TLV1117-25IDRJR | SON | DRJ | 8 | 3000 | 330.0 | 12.4 | 4.25 | 4.25 | 1.15 | 8.0 | 12.0 | Q2 |
| TLV1117-33CDCYR | SOT-223 | DCY | 4 | 2500 | 330.0 | 12.4 | 7.05 | 7.4 | 1.9 | 8.0 | 12.0 | Q3 |
| TLV1117-33CDCYR | SOT-223 | DCY | 4 | 2500 | 330.0 | 12.4 | 7.0 | 7.42 | 2.0 | 8.0 | 12.0 | Q3 |
| TLV1117-33CDRJR | SON | DRJ | 8 | 1000 | 180.0 | 12.4 | 4.25 | 4.25 | 1.15 | 8.0 | 12.0 | Q2 |
| TLV1117-33CKVURG3 | TO-252 | KVU | 3 | 2500 | 330.0 | 16.4 | 6.9 | 10.5 | 2.7 | 8.0 | 16.0 | Q2 |
| TLV1117-33CKVURG3 | TO-252 | KVU | 3 | 2500 | 330.0 | 16.4 | 6.9 | 10.5 | 2.8 | 8.0 | 16.0 | Q2 |
| TLV1117-33IDCYR | SOT-223 | DCY | 4 | 2500 | 330.0 | 12.4 | 7.0 | 7.42 | 2.0 | 8.0 | 12.0 | Q3 |
| TLV1117-33IDCYR | SOT-223 | DCY | 4 | 2500 | 330.0 | 12.4 | 7.05 | 7.4 | 1.9 | 8.0 | 12.0 | Q3 |
| TLV1117-33IDCYR | SOT-223 | DCY | 4 | 2500 | 330.0 | 12.4 | 6.55 | 7.25 | 1.9 | 8.0 | 12.0 | Q3 |
| TLV1117-33IDRJR | SON | DRJ | 8 | 1000 | 180.0 | 12.4 | 4.25 | 4.25 | 1.15 | 8.0 | 12.0 | Q2 |
| TLV1117-33IKVURG3 | TO-252 | KVU | 3 | 2500 | 330.0 | 16.4 | 6.9 | 10.5 | 2.8 | 8.0 | 16.0 | Q2 |
| TLV1117-33IKVURG3 | TO-252 | KVU | 3 | 2500 | 330.0 | 16.4 | 6.9 | 10.5 | 2.7 | 8.0 | 16.0 | Q2 |
| TLV1117-50CDCYR | SOT-223 | DCY | 4 | 2500 | 330.0 | 12.4 | 7.05 | 7.4 | 1.9 | 8.0 | 12.0 | Q3 |
| TLV1117-50CDCYR | SOT-223 | DCY | 4 | 2500 | 330.0 | 12.4 | 7.0 | 7.42 | 2.0 | 8.0 | 12.0 | Q3 |
| TLV1117-50CDRJR | SON | DRJ | 8 | 3000 | 330.0 | 12.4 | 4.25 | 4.25 | 1.15 | 8.0 | 12.0 | Q2 |
| TLV1117-50CKVURG3 | TO-252 | KVU | 3 | 2500 | 330.0 | 16.4 | 6.9 | 10.5 | 2.8 | 8.0 | 16.0 | Q2 |
| TLV1117-50CKVURG3 | TO-252 | KVU | 3 | 2500 | 330.0 | 16.4 | 6.9 | 10.5 | 2.7 | 8.0 | 16.0 | Q2 |
| TLV1117-50IDCYR | SOT-223 | DCY | 4 | 2500 | 330.0 | 12.4 | 7.05 | 7.4 | 1.9 | 8.0 | 12.0 | Q3 |
| TLV1117-50IDCYR | SOT-223 | DCY | 4 | 2500 | 330.0 | 12.4 | 7.0 | 7.42 | 2.0 | 8.0 | 12.0 | Q3 |
| TLV1117-50IDCYR | SOT-223 | DCY | 4 | 2500 | 330.0 | 12.4 | 6.55 | 7.25 | 1.9 | 8.0 | 12.0 | Q3 |
| TLV1117-50IDRJR | SON | DRJ | 8 | 1000 | 180.0 | 12.4 | 4.25 | 4.25 | 1.15 | 8.0 | 12.0 | Q2 |
| TLV1117-50IKVURG3 | TO-252 | KVU | 3 | 2500 | 330.0 | 16.4 | 6.9 | 10.5 | 2.8 | 8.0 | 16.0 | Q2 |
| TLV1117-50IKVURG3 | TO-252 | KVU | 3 | 2500 | 330.0 | 16.4 | 6.9 | 10.5 | 2.7 | 8.0 | 16.0 | Q2 |
| TLV1117CDCYR | SOT-223 | DCY | 4 | 2500 | 330.0 | 12.4 | 7.05 | 7.4 | 1.9 | 8.0 | 12.0 | Q3 |
| TLV1117CDCYR | SOT-223 | DCY | 4 | 2500 | 330.0 | 12.4 | 6.55 | 7.25 | 1.9 | 8.0 | 12.0 | Q3 |
| TLV1117CDCYR | SOT-223 | DCY | 4 | 2500 | 330.0 | 12.4 | 7.0 | 7.42 | 2.0 | 8.0 | 12.0 | Q3 |
| TLV1117CDRJR | SON | DRJ | 8 | 1000 | 180.0 | 12.4 | 4.25 | 4.25 | 1.15 | 8.0 | 12.0 | Q2 |
| TLV1117CKTTR | DDPAK/ TO-263 | KTT | 3 | 500 | 330.0 | 24.4 | 10.8 | 16.1 | 4.9 | 16.0 | 24.0 | Q2 |
| TLV1117CKTTR | DDPAK/ TO-263 | KTT | 3 | 500 | 330.0 | 24.4 | 10.8 | 16.3 | 5.11 | 16.0 | 24.0 | Q2 |
| TLV1117CKVURG3 | TO-252 | KVU | 3 | 2500 | 330.0 | 16.4 | 6.9 | 10.5 | 2.7 | 8.0 | 16.0 | Q2 |
| TLV1117CKVURG3 | TO-252 | KVU | 3 | 2500 | 330.0 | 16.4 | 6.9 | 10.5 | 2.8 | 8.0 | 16.0 | Q2 |
| TLV1117IDCYR | SOT-223 | DCY | 4 | 2500 | 330.0 | 12.4 | 6.55 | 7.25 | 1.9 | 8.0 | 12.0 | Q3 |
| TLV1117IDCYR | SOT-223 | DCY | 4 | 2500 | 330.0 | 12.4 | 7.05 | 7.4 | 1.9 | 8.0 | 12.0 | Q3 |
| TLV1117IDCYR | SOT-223 | DCY | 4 | 2500 | 330.0 | 12.4 | 7.0 | 7.42 | 2.0 | 8.0 | 12.0 | Q3 |
| TLV1117IDRJR | SON | DRJ | 8 | 1000 | 180.0 | 12.4 | 4.25 | 4.25 | 1.15 | 8.0 | 12.0 | Q2 |
| TLV1117IKTTR | DDPAK/ TO-263 | KTT | 3 | 500 | 330.0 | 24.4 | 10.8 | 16.3 | 5.11 | 16.0 | 24.0 | Q2 |

| Device | Package Type | Package Drawing | Pins | SPQ | Reel Diameter (mm) | Reel Width W1 (mm) | A0 (mm) | B0 (mm) | K0 (mm) | P1 (mm) | W (mm) | Pin1 Quadrant |
|----------------|------------------|-----------------|------|------|--------------------|--------------------|---------|---------|---------|---------|--------|---------------|
| TLV1117IKTTR | DDPAK/ TO-263 | KTT | 3 | 500 | 330.0 | 24.4 | 10.8 | 16.1 | 4.9 | 16.0 | 24.0 | Q2 |
| TLV1117IKVURG3 | TO-252 | KVU | 3 | 2500 | 330.0 | 16.4 | 6.9 | 10.5 | 2.7 | 8.0 | 16.0 | Q2 |
| TLV1117IKVURG3 | TO-252 | KVU | 3 | 2500 | 330.0 | 16.4 | 6.9 | 10.5 | 2.8 | 8.0 | 16.0 | Q2 |

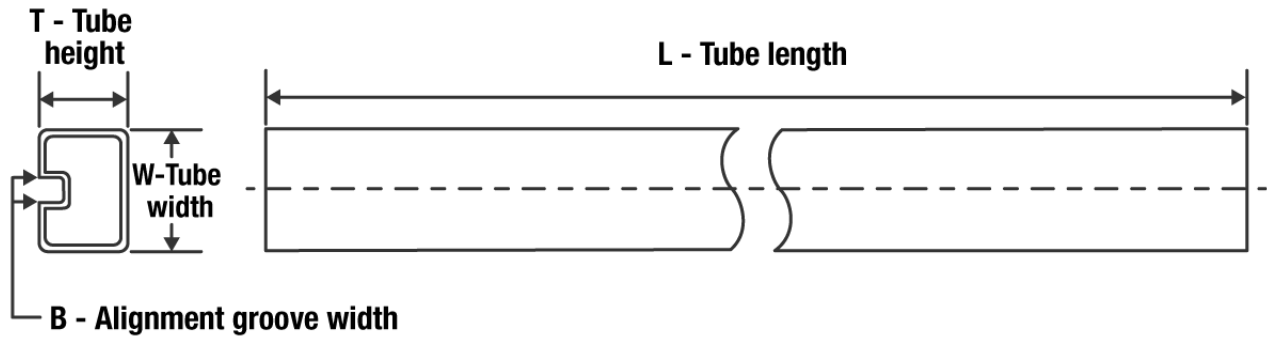
TAPE AND REEL BOX DIMENSIONS


*All dimensions are nominal

| Device | Package Type | Package Drawing | Pins | SPQ | Length (mm) | Width (mm) | Height (mm) |
|-------------------|--------------|-----------------|------|------|-------------|------------|-------------|
| TLV1117-15CDCYR | SOT-223 | DCY | 4 | 2500 | 350.0 | 334.0 | 47.0 |
| TLV1117-15CDCYR | SOT-223 | DCY | 4 | 2500 | 340.0 | 340.0 | 38.0 |
| TLV1117-15CDRJR | SON | DRJ | 8 | 3000 | 367.0 | 367.0 | 35.0 |
| TLV1117-15IDCYR | SOT-223 | DCY | 4 | 2500 | 350.0 | 334.0 | 47.0 |
| TLV1117-15IDCYR | SOT-223 | DCY | 4 | 2500 | 340.0 | 340.0 | 38.0 |
| TLV1117-15IKVURG3 | TO-252 | KVU | 3 | 2500 | 340.0 | 340.0 | 38.0 |
| TLV1117-15IKVURG3 | TO-252 | KVU | 3 | 2500 | 350.0 | 334.0 | 47.0 |
| TLV1117-18CDCYR | SOT-223 | DCY | 4 | 2500 | 336.0 | 336.0 | 48.0 |
| TLV1117-18CDCYR | SOT-223 | DCY | 4 | 2500 | 350.0 | 334.0 | 47.0 |
| TLV1117-18CDRJR | SON | DRJ | 8 | 3000 | 367.0 | 367.0 | 35.0 |
| TLV1117-18CKVURG3 | TO-252 | KVU | 3 | 2500 | 340.0 | 340.0 | 38.0 |
| TLV1117-18CKVURG3 | TO-252 | KVU | 3 | 2500 | 350.0 | 334.0 | 47.0 |
| TLV1117-18IDCYR | SOT-223 | DCY | 4 | 2500 | 350.0 | 334.0 | 47.0 |

| Device | Package Type | Package Drawing | Pins | SPQ | Length (mm) | Width (mm) | Height (mm) |
|-------------------|--------------|-----------------|------|------|-------------|------------|-------------|
| TLV1117-18IDCYR | SOT-223 | DCY | 4 | 2500 | 336.0 | 336.0 | 48.0 |
| TLV1117-18IDRJR | SON | DRJ | 8 | 1000 | 210.0 | 185.0 | 35.0 |
| TLV1117-18IKVURG3 | TO-252 | KVU | 3 | 2500 | 340.0 | 340.0 | 38.0 |
| TLV1117-18IKVURG3 | TO-252 | KVU | 3 | 2500 | 350.0 | 334.0 | 47.0 |
| TLV1117-25CDCYR | SOT-223 | DCY | 4 | 2500 | 340.0 | 340.0 | 38.0 |
| TLV1117-25CDCYR | SOT-223 | DCY | 4 | 2500 | 350.0 | 334.0 | 47.0 |
| TLV1117-25CKVURG3 | TO-252 | KVU | 3 | 2500 | 350.0 | 334.0 | 47.0 |
| TLV1117-25CKVURG3 | TO-252 | KVU | 3 | 2500 | 340.0 | 340.0 | 38.0 |
| TLV1117-25IDCYR | SOT-223 | DCY | 4 | 2500 | 350.0 | 334.0 | 47.0 |
| TLV1117-25IDCYR | SOT-223 | DCY | 4 | 2500 | 340.0 | 340.0 | 38.0 |
| TLV1117-25IDRJR | SON | DRJ | 8 | 3000 | 367.0 | 367.0 | 35.0 |
| TLV1117-33CDCYR | SOT-223 | DCY | 4 | 2500 | 340.0 | 340.0 | 38.0 |
| TLV1117-33CDCYR | SOT-223 | DCY | 4 | 2500 | 350.0 | 334.0 | 47.0 |
| TLV1117-33CDRJR | SON | DRJ | 8 | 1000 | 210.0 | 185.0 | 35.0 |
| TLV1117-33CKVURG3 | TO-252 | KVU | 3 | 2500 | 340.0 | 340.0 | 38.0 |
| TLV1117-33CKVURG3 | TO-252 | KVU | 3 | 2500 | 350.0 | 334.0 | 47.0 |
| TLV1117-33IDCYR | SOT-223 | DCY | 4 | 2500 | 350.0 | 334.0 | 47.0 |
| TLV1117-33IDCYR | SOT-223 | DCY | 4 | 2500 | 340.0 | 340.0 | 38.0 |
| TLV1117-33IDCYR | SOT-223 | DCY | 4 | 2500 | 336.0 | 336.0 | 48.0 |
| TLV1117-33IDRJR | SON | DRJ | 8 | 1000 | 210.0 | 185.0 | 35.0 |
| TLV1117-33IKVURG3 | TO-252 | KVU | 3 | 2500 | 350.0 | 334.0 | 47.0 |
| TLV1117-33IKVURG3 | TO-252 | KVU | 3 | 2500 | 340.0 | 340.0 | 38.0 |
| TLV1117-50CDCYR | SOT-223 | DCY | 4 | 2500 | 340.0 | 340.0 | 38.0 |
| TLV1117-50CDCYR | SOT-223 | DCY | 4 | 2500 | 350.0 | 334.0 | 47.0 |
| TLV1117-50CDRJR | SON | DRJ | 8 | 3000 | 367.0 | 367.0 | 35.0 |
| TLV1117-50CKVURG3 | TO-252 | KVU | 3 | 2500 | 350.0 | 334.0 | 47.0 |
| TLV1117-50CKVURG3 | TO-252 | KVU | 3 | 2500 | 340.0 | 340.0 | 38.0 |
| TLV1117-50IDCYR | SOT-223 | DCY | 4 | 2500 | 340.0 | 340.0 | 38.0 |
| TLV1117-50IDCYR | SOT-223 | DCY | 4 | 2500 | 350.0 | 334.0 | 47.0 |
| TLV1117-50IDCYR | SOT-223 | DCY | 4 | 2500 | 336.0 | 336.0 | 48.0 |
| TLV1117-50IDRJR | SON | DRJ | 8 | 1000 | 210.0 | 185.0 | 35.0 |
| TLV1117-50IKVURG3 | TO-252 | KVU | 3 | 2500 | 350.0 | 334.0 | 47.0 |
| TLV1117-50IKVURG3 | TO-252 | KVU | 3 | 2500 | 340.0 | 340.0 | 38.0 |
| TLV1117CDCYR | SOT-223 | DCY | 4 | 2500 | 340.0 | 340.0 | 38.0 |
| TLV1117CDCYR | SOT-223 | DCY | 4 | 2500 | 336.0 | 336.0 | 48.0 |
| TLV1117CDCYR | SOT-223 | DCY | 4 | 2500 | 350.0 | 334.0 | 47.0 |
| TLV1117CDRJR | SON | DRJ | 8 | 1000 | 210.0 | 185.0 | 35.0 |
| TLV1117CKTTR | DDPAK/TO-263 | KTT | 3 | 500 | 350.0 | 334.0 | 47.0 |
| TLV1117CKTTR | DDPAK/TO-263 | KTT | 3 | 500 | 340.0 | 340.0 | 38.0 |
| TLV1117CKVURG3 | TO-252 | KVU | 3 | 2500 | 340.0 | 340.0 | 38.0 |
| TLV1117CKVURG3 | TO-252 | KVU | 3 | 2500 | 350.0 | 334.0 | 47.0 |
| TLV1117IDCYR | SOT-223 | DCY | 4 | 2500 | 336.0 | 336.0 | 48.0 |
| TLV1117IDCYR | SOT-223 | DCY | 4 | 2500 | 340.0 | 340.0 | 38.0 |
| TLV1117IDCYR | SOT-223 | DCY | 4 | 2500 | 350.0 | 334.0 | 47.0 |

| Device | Package Type | Package Drawing | Pins | SPQ | Length (mm) | Width (mm) | Height (mm) |
|----------------|--------------|-----------------|------|------|-------------|------------|-------------|
| TLV1117IDRJR | SON | DRJ | 8 | 1000 | 210.0 | 185.0 | 35.0 |
| TLV1117IKTTR | DDPAK/TO-263 | KTT | 3 | 500 | 340.0 | 340.0 | 38.0 |
| TLV1117IKTTR | DDPAK/TO-263 | KTT | 3 | 500 | 350.0 | 334.0 | 47.0 |
| TLV1117IKVURG3 | TO-252 | KVU | 3 | 2500 | 340.0 | 340.0 | 38.0 |
| TLV1117IKVURG3 | TO-252 | KVU | 3 | 2500 | 350.0 | 334.0 | 47.0 |

TUBE


*All dimensions are nominal

| Device | Package Name | Package Type | Pins | SPQ | L (mm) | W (mm) | T (μm) | B (mm) |
|------------------|--------------|--------------|------|-----|--------|--------|--------|--------|
| TLV1117-15CDCY | DCY | SOT-223 | 4 | 80 | 559 | 8.6 | 500 | 3.6 |
| TLV1117-15IDCY | DCY | SOT-223 | 4 | 80 | 559 | 8.6 | 500 | 3.6 |
| TLV1117-18CDCY | DCY | SOT-223 | 4 | 80 | 559 | 8.6 | 500 | 3.6 |
| TLV1117-18IDCY | DCY | SOT-223 | 4 | 80 | 559 | 8.6 | 500 | 3.6 |
| TLV1117-25CDCY | DCY | SOT-223 | 4 | 80 | 559 | 8.6 | 500 | 3.6 |
| TLV1117-25IDCY | DCY | SOT-223 | 4 | 80 | 559 | 8.6 | 500 | 3.6 |
| TLV1117-33CDCY | DCY | SOT-223 | 4 | 80 | 559 | 8.6 | 500 | 3.6 |
| TLV1117-33CDCYG3 | DCY | SOT-223 | 4 | 80 | 559 | 8.6 | 500 | 3.6 |
| TLV1117-33IDCY | DCY | SOT-223 | 4 | 80 | 559 | 8.6 | 500 | 3.6 |
| TLV1117-33IDCYG3 | DCY | SOT-223 | 4 | 80 | 559 | 8.6 | 500 | 3.6 |
| TLV1117-50CDCY | DCY | SOT-223 | 4 | 80 | 559 | 8.6 | 500 | 3.6 |
| TLV1117-50CDCYG3 | DCY | SOT-223 | 4 | 80 | 559 | 8.6 | 500 | 3.6 |
| TLV1117-50IDCY | DCY | SOT-223 | 4 | 80 | 559 | 8.6 | 500 | 3.6 |
| TLV1117CDCY | DCY | SOT-223 | 4 | 80 | 559 | 8.6 | 500 | 3.6 |
| TLV1117CDCY | DCY | SOT-223 | 4 | 80 | 542.9 | 8.6 | 3606 | 2.67 |
| TLV1117CDCYG3 | DCY | SOT-223 | 4 | 80 | 559 | 8.6 | 500 | 3.6 |
| TLV1117CDCYG3 | DCY | SOT-223 | 4 | 80 | 542.9 | 8.6 | 3606 | 2.67 |
| TLV1117CKCS | KCS | TO-220 | 3 | 50 | 532 | 34.1 | 700 | 9.6 |
| TLV1117CKCS | KCS | TO-220 | 3 | 50 | 532 | 34.1 | 700 | 9.6 |
| TLV1117CKCT | KCT | TO-220 | 3 | 50 | 534.5 | 33 | 7000 | 3.4 |
| TLV1117IDCY | DCY | SOT-223 | 4 | 80 | 542.9 | 8.6 | 3606 | 2.67 |
| TLV1117IDCY | DCY | SOT-223 | 4 | 80 | 559 | 8.6 | 500 | 3.6 |
| TLV1117IDCYG3 | DCY | SOT-223 | 4 | 80 | 542.9 | 8.6 | 3606 | 2.67 |
| TLV1117IDCYG3 | DCY | SOT-223 | 4 | 80 | 559 | 8.6 | 500 | 3.6 |
| TLV1117IKCS | KCS | TO-220 | 3 | 50 | 532 | 34.1 | 700 | 9.6 |
| TLV1117IKCS | KCS | TO-220 | 3 | 50 | 532 | 34.1 | 700 | 9.6 |
| TLV1117IKCSE3 | KCS | TO-220 | 3 | 50 | 532 | 34.1 | 700 | 9.6 |
| TLV1117IKCSE3 | KCS | TO-220 | 3 | 50 | 532 | 34.1 | 700 | 9.6 |