

## CSD97374Q4M Synchronous Buck NexFET™ Power Stage

### 1 Features

- Over 92% System Efficiency at 15 A
- Max Rated Continuous Current 25 A, Peak 60 A
- High-Frequency Operation (up to 2 MHz)
- High-Density SON 3.5-mm x 4.5-mm Footprint
- Ultra-Low Inductance Package
- System Optimized PCB Footprint
- Ultra-Low Quiescent (ULQ) Current Mode
- 3.3-V and 5-V PWM Signal Compatible
- Diode Emulation Mode with FCCM
- Input Voltages up to 24 V
- Tri-State PWM Input
- Integrated Bootstrap Diode
- Shoot-Through Protection
- RoHS Compliant – Lead-Free Terminal Plating
- Halogen Free

### 2 Applications

- Ultrabook/Notebook DC/DC Converters
- Multiphase Vcore and DDR Solutions
- Point-of-Load Synchronous Buck in Networking, Telecom, and Computing Systems

### 3 Description

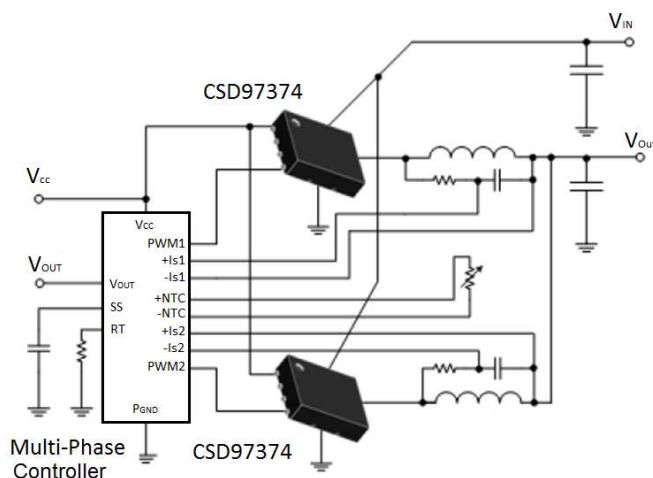
The CSD97374Q4M NexFET™ power stage is a highly optimized design for use in a high-power, high-density synchronous buck converter. This product integrates the driver IC and NexFET technology to complete the power stage switching function. The driver IC has a built-in selectable diode emulation function that enables DCM operation to improve light load efficiency. In addition, the driver IC supports ULQ mode that enables Connected Standby for Windows™ 8. With the PWM input in tri-state, quiescent current is reduced to 130  $\mu$ A, with immediate response. When SKIP# is held at tri-state, the current is reduced to 8  $\mu$ A (typically 20  $\mu$ s is required to resume switching). This combination produces a high-current, high-efficiency, and high-speed switching device in a small 3.5-mm x 4.5-mm outline package. In addition, the PCB footprint has been optimized to help reduce design time and simplify the completion of the overall system design.

#### Device Information<sup>(1)</sup>

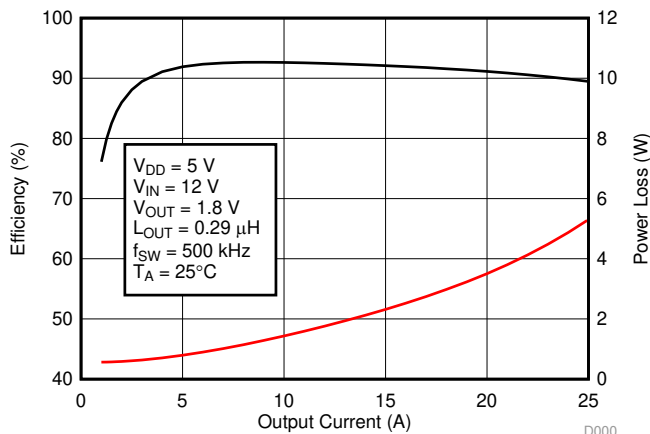
DEVICE	QTY	MEDIA	PACKAGE	SHIP
CSD97374Q4M	2500	13-Inch Reel	SON 3.50-mm x 4.50-mm Plastic Package	Tape and Reel

(1) For all available packages, see the orderable addendum at the end of the data sheet.

Application Diagram



Typical Power Stage Efficiency and Power Loss



## Table of Contents

<b>1 Features</b> .....	<b>1</b>	<b>8 Application and Implementation</b> .....	<b>12</b>
<b>2 Applications</b> .....	<b>1</b>	8.1 Application Information.....	12
<b>3 Description</b> .....	<b>1</b>	8.2 Power Loss Curves .....	12
<b>4 Revision History</b> .....	<b>2</b>	8.3 Safe Operating Curves (SOA) .....	12
<b>5 Pin Configuration and Functions</b> .....	<b>4</b>	8.4 Normalized Curves.....	12
<b>6 Specifications</b> .....	<b>5</b>	8.5 Calculating Power Loss and SOA .....	13
6.1 Absolute Maximum Ratings .....	5	<b>9 Layout</b> .....	<b>15</b>
6.2 ESD Ratings.....	5	9.1 Layout Guidelines .....	15
6.3 Recommended Operating Conditions.....	5	9.2 Layout Example .....	16
6.4 Thermal Information .....	5	<b>10 Device and Documentation Support</b> .....	<b>17</b>
6.5 Electrical Characteristics.....	6	10.1 Receiving Notification of Documentation Updates	17
6.6 Typical Characteristics .....	7	10.2 Community Resources.....	17
<b>7 Detailed Description</b> .....	<b>9</b>	10.3 Trademarks .....	17
7.1 Functional Block Diagram .....	9	10.4 Electrostatic Discharge Caution.....	17
7.2 Powering CSD97374Q4M and Gate Drivers .....	9	10.5 Glossary .....	17
7.3 Undervoltage Lockout Protection (UVLO).....	9	<b>11 Mechanical, Packaging, and Orderable Information</b> .....	<b>17</b>
7.4 PWM Pin .....	10	11.1 Mechanical Dimensions .....	18
7.5 SKIP# Pin.....	10	11.2 Recommended PCB Land Pattern.....	19
7.6 Integrated Boost-Switch .....	11	11.3 Recommended Stencil Opening .....	19

## 4 Revision History

NOTE: Page numbers for previous revisions may differ from page numbers in the current version.

Changes from Revision C (July 2013) to Revision D	Page
• Added description of internal connection to pin 7 in the Pin Functions table.....	4
• Added <a href="#">ESD Ratings</a> table.....	5
• Added a NOTE to the <a href="#">Application and Implementation</a> section .....	12
• Added <a href="#">Layout</a> section .....	15
• Added the <a href="#">Device and Documentation Support</a> section.....	17
• Changed <a href="#">Mechanical Data</a> section to <a href="#">Mechanical, Packaging, and Orderable Information</a> section.....	17

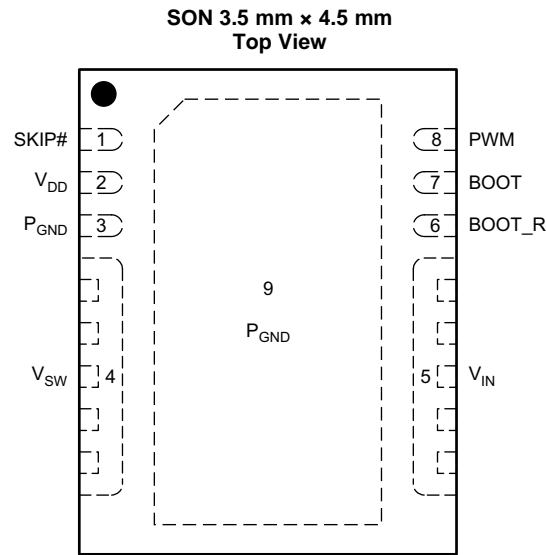
Changes from Revision B (May 2013) to Revision C	Page
• Added dimension row b2 to the MECHANICAL DATA table.....	18

Changes from Revision A (March 2013) to Revision B	Page
• Changed the Mechanical Drawing image.....	17
• Changed the Recommended PCB Land Pattern image.....	19
• Changed the Recommended Stencil Opening image .....	19

Changes from Original (January 2013) to Revision A	Page
• Changed the ROC table, From: $V_{SW}$ to $P_{GND}$ , $V_{IN}$ to $V_{SW}$ (<20ns) MIN = -5 To: $V_{SW}$ to $P_{GND}$ , $V_{IN}$ to $V_{SW}$ (<10ns) MIN = -7 .....	5
• Changed the ROC table, From: BOOT to $P_{GND}$ (<20ns) MIN = -3 To: BOOT to $P_{GND}$ (<10ns) MIN = -2 .....	5
• Changed Logic Level High, $V_{IH}$ From: MAX = 2.6 To: MIN = 2.65.....	6
• Changed Logic Level Low, $V_{IL}$ From: MIN = 0.6 To: MAX = 0.6 .....	6
• Changed Tri-State Voltage, $V_{TS}$ From: MIN = 1.2 To: MIN = 1.3.....	6



## 5 Pin Configuration and Functions



### Pin Functions

PIN		DESCRIPTION
NO.	NAME	
1	SKIP#	This pin enables the diode emulation function. When this pin is held low, diode emulation mode is enabled for the sync FET. When SKIP# is high, the CSD97374Q4M operates in forced continuous conduction mode. A tri-state voltage on SKIP# puts the driver into a very low power state.
2	V <sub>DD</sub>	Supply voltage to gate drivers and internal circuitry.
3	P <sub>GND</sub>	Power ground. Needs to be connected to Pin 9 and PCB.
4	V <sub>SW</sub>	Voltage switching node. Pin connection to the output inductor.
5	V <sub>IN</sub>	Input voltage pin. Connect input capacitors close to this pin.
6	BOOT_R	Bootstrap capacitor connection. Connect a minimum 0.1-μF 16-V X5R ceramic cap from BOOT to BOOT_R pins. The bootstrap capacitor provides the charge to turn on the control FET. The bootstrap diode is integrated. Boot_R is internally connected to V <sub>SW</sub> .
7	BOOT	
8	PWM	Pulse width modulated tri-state input from external controller. Logic low sets control FET gate low and sync FET gate high. Logic high sets control FET gate high and sync FET gate low. Open or Hi-Z sets both MOSFET gates low if greater than the tri-state shutdown hold-off time (t <sub>3HT</sub> ).
9	P <sub>GND</sub>	Power ground.

## 6 Specifications

### 6.1 Absolute Maximum Ratings

 $T_A = 25^\circ\text{C}$  (unless otherwise noted)<sup>(1)</sup>

		MIN	MAX	UNIT
	$V_{IN}$ to $P_{GND}$	-0.3	30	V
	$V_{SW}$ to $P_{GND}$ , $V_{IN}$ to $V_{SW}$	-0.3	30	V
	$V_{SW}$ to $P_{GND}$ , $V_{IN}$ to $V_{SW}$ (< 10 ns)	-7	33	V
	$V_{DD}$ to $P_{GND}$	-0.3	6	V
	PWM, SKIP# to $P_{GND}$	-0.3	6	V
	BOOT to $P_{GND}$	-0.3	35	V
	BOOT to $P_{GND}$ (< 10 ns)	-2	38	V
	BOOT to BOOT_R	-0.3	6	V
	BOOT to BOOT_R (duty cycle < 0.2 %)		8	V
$P_D$	Power dissipation		8	W
$T_J$	Operating temperature	-40	150	$^\circ\text{C}$
$T_{STG}$	Storage temperature	-55	150	$^\circ\text{C}$

(1) Stresses above those listed in *Absolute Maximum Ratings* may cause permanent damage to the device. These are stress ratings only and functional operation of the device at these or any other conditions beyond those indicated under *Recommended Operating Conditions* is not implied. Exposure to absolute-maximum-rated conditions for extended periods may affect device reliability.

### 6.2 ESD Ratings

		VALUE	UNIT
$V_{(ESD)}$	Electrostatic discharge	Human-body model (HBM), per ANSI/ESDA/JEDEC JS-001 <sup>(1)</sup>	$\pm 2000$
		Charged-device model (CDM), per JEDEC specification JESD22-C101 <sup>(2)</sup>	$\pm 500$
			V

(1) JEDEC document JEP155 states that 500-V HBM allows safe manufacturing with a standard ESD control process.

(2) JEDEC document JEP157 states that 250-V CDM allows safe manufacturing with a standard ESD control process.

### 6.3 Recommended Operating Conditions

 $T_A = 25^\circ$  (unless otherwise noted)

		MIN	MAX	UNIT
$V_{DD}$	Gate drive voltage	4.5	5.5	V
$V_{IN}$	Input supply voltage		24	V
$I_{OUT}$	Continuous output current		25	A
$I_{OUT-PK}$	Peak output current <sup>(2)</sup>		60	A
$f_{SW}$	Switching frequency		2000	kHz
	On-time duty cycle		85	%
	Minimum PWM on-time	40		ns
	Operating temperature	-40	125	$^\circ\text{C}$

$V_{IN} = 12\text{ V}$ ,  $V_{DD} = 5\text{ V}$ ,  $V_{OUT} = 1.8\text{ V}$ ,  
 $f_{SW} = 500\text{ kHz}$ ,  $L_{OUT} = 0.29\text{ }\mu\text{H}$ <sup>(1)</sup>  
 $C_{BST} = 0.1\text{ }\mu\text{F}$  (min)

(1) Measurement made with six 10- $\mu\text{F}$  (TDK C3216X5R1C106KT or equivalent) ceramic capacitors placed across  $V_{IN}$  to  $P_{GND}$  pins.

(2) System conditions as defined in Note 1. Peak output current is applied for  $t_p = 10\text{ ms}$ , duty cycle  $\leq 1\%$ .

### 6.4 Thermal Information

 $T_A = 25^\circ\text{C}$  (unless otherwise noted)

	THERMAL METRIC	MIN	TYP	MAX	UNIT
$R_{\theta JC}$	Thermal resistance, junction-to-case (top of package) <sup>(1)</sup>			22.8	$^\circ\text{C}/\text{W}$
$R_{\theta JB}$	Thermal resistance, junction-to-board <sup>(2)</sup>			2.5	$^\circ\text{C}/\text{W}$

(1)  $R_{\theta JC}$  is determined with the device mounted on a 1-in<sup>2</sup> (6.45-cm<sup>2</sup>), 2-oz (0.071-mm) thick Cu pad on a 1.5-in  $\times$  1.5-in, 0.06-in (1.52-mm) thick FR4 board.

(2)  $R_{\theta JB}$  value based on hottest board temperature within 1 mm of the package.

## 6.5 Electrical Characteristics

 $T_A = 25^\circ\text{C}$ ,  $V_{DD} = \text{POR to } 5.5 \text{ V}$  (unless otherwise noted)

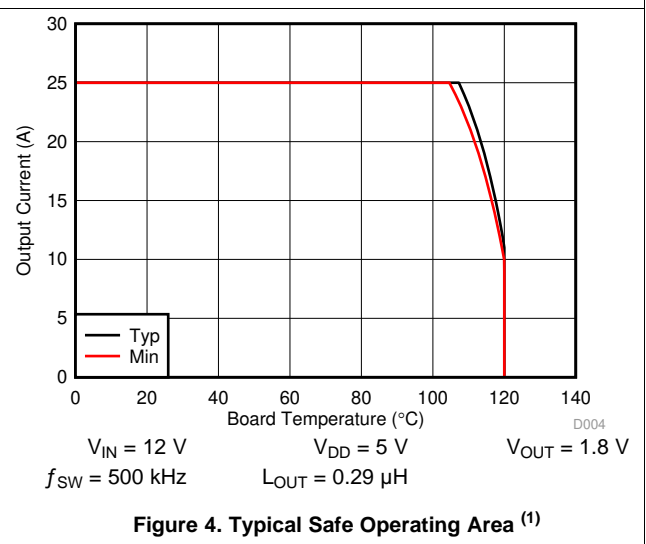
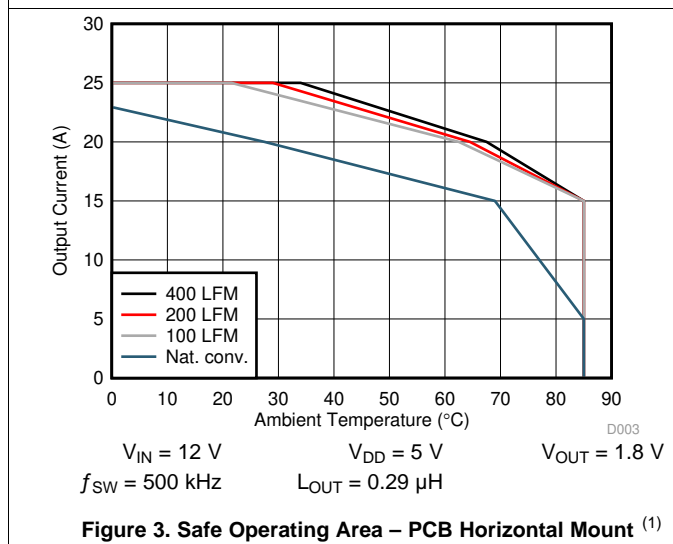
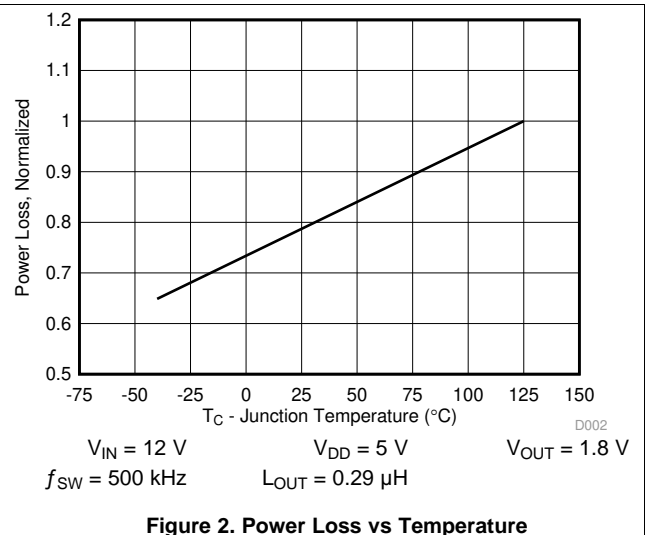
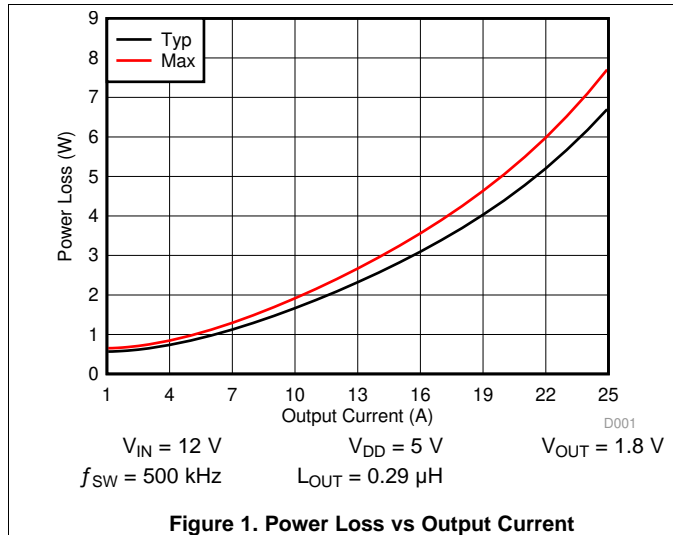
PARAMETER		CONDITIONS	MIN	TYP	MAX	UNIT
<b>P<sub>Loss</sub></b>						
	Power loss <sup>(1)</sup>	$V_{IN} = 12 \text{ V}$ , $V_{DD} = 5 \text{ V}$ , $V_{OUT} = 1.8 \text{ V}$ , $I_{OUT} = 15 \text{ A}$ , $f_{SW} = 500 \text{ kHz}$ , $L_{OUT} = 0.29 \mu\text{H}$ , $T_J = 25^\circ\text{C}$		2.3		W
	Power loss <sup>(2)</sup>	$V_{IN} = 19 \text{ V}$ , $V_{DD} = 5 \text{ V}$ , $V_{OUT} = 1.8 \text{ V}$ , $I_{OUT} = 15 \text{ A}$ , $f_{SW} = 500 \text{ kHz}$ , $L_{OUT} = 0.29 \mu\text{H}$ , $T_J = 25^\circ\text{C}$		2.5		W
	Power loss <sup>(2)</sup>	$V_{IN} = 19 \text{ V}$ , $V_{DD} = 5 \text{ V}$ , $V_{OUT} = 1.8 \text{ V}$ , $I_{OUT} = 15 \text{ A}$ , $f_{SW} = 500 \text{ kHz}$ , $L_{OUT} = 0.29 \mu\text{H}$ , $T_J = 125^\circ\text{C}$		2.8		W
<b>V<sub>IN</sub></b>						
$I_Q$	$V_{IN}$ quiescent current	PWM = floating, $V_{DD} = 5 \text{ V}$ , $V_{IN} = 24 \text{ V}$			1	$\mu\text{A}$
<b>V<sub>DD</sub></b>						
$I_{DD}$	Standby supply current	PWM = float, SKIP# = $V_{DD}$ or 0 V		130		$\mu\text{A}$
		SKIP# = float		8		
$I_{DD}$	Operating supply current	PWM = 50% duty cycle, $f_{SW} = 500 \text{ kHz}$		8.2		mA
<b>POWER-ON RESET AND UNDERVOLTAGE LOCKOUT</b>						
$V_{DD}$ rising	Power-on reset				4.15	V
$V_{DD}$ falling	UVLO		3.7			V
	Hysteresis			0.2		mV
<b>PWM AND SKIP# I/O SPECIFICATIONS</b>						
$R_I$	Input impedance	Pullup to $V_{DD}$		1700		$k\Omega$
		Pulldown (to GND)		800		
$V_{IH}$	Logic level high		2.65			V
$V_{IL}$	Logic level low				0.6	V
$V_{IH}$	Hysteresis			0.2		V
$V_{TS}$	Tri-state voltage		1.3		2	V
$t_{\text{THOLD(off1)}}$	Tri-state activation time (falling) PWM			60		ns
$t_{\text{THOLD(off2)}}$	Tri-state activation time (rising) PWM			60		ns
$t_{\text{TSKF}}$	Tri-state activation time (falling) SKIP#			1		$\mu\text{s}$
$t_{\text{TSKR}}$	Tri-state activation time (rising) SKIP#			1		$\mu\text{s}$
$t_{3\text{RD(PWM)}}^{(2)}$	Tri-state exit time PWM				100	ns
$t_{3\text{RD(SKIP\#)}}^{(2)}$	Tri-state exit time SKIP#				50	$\mu\text{s}$
<b>BOOTSTRAP SWITCH</b>						
$V_{\text{FBST}}$	Forward voltage	$I_F = 10 \text{ mA}$		120	240	mV
$I_{\text{RLEAK}}^{(2)}$	Reverse leakage	$V_{\text{BST}} - V_{DD} = 25 \text{ V}$			2	$\mu\text{A}$

(1) Measurement made with six 10  $\mu\text{F}$  (TDK C3216X5R1C106KT or equivalent) ceramic capacitors placed across  $V_{IN}$  to  $P_{GND}$  pins.

(2) Specified by design.

## 6.6 Typical Characteristics

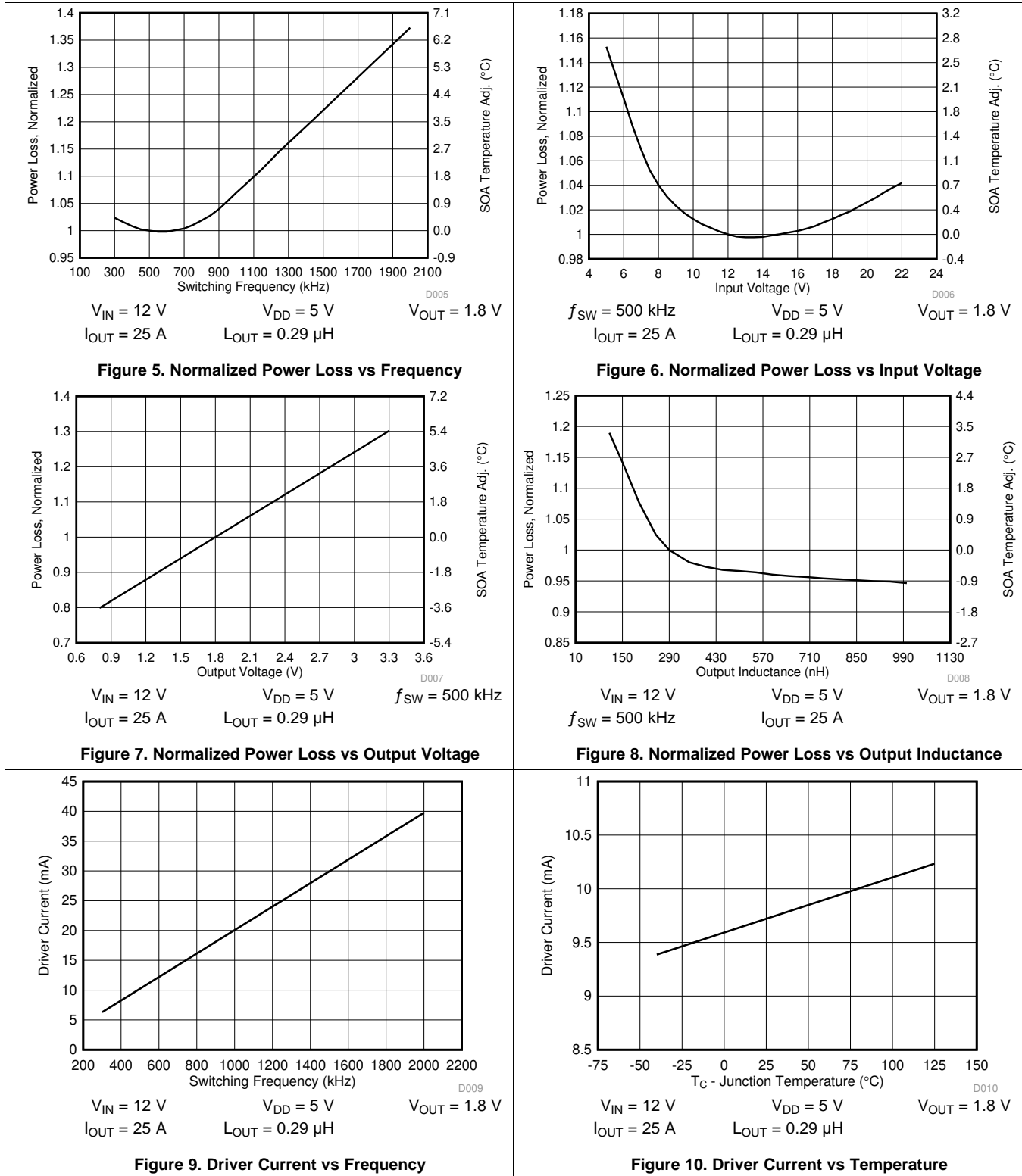
$T_J = 125^\circ\text{C}$ , unless stated otherwise.



(1) The Typical CSD97374Q4M system characteristic curves are based on measurements made on a PCB design with dimensions of 4 in (W) x 3.5 in (L) x 0.062 in (T) and 6 copper layers of 1-oz copper thickness. See the [Application and Implementation](#) section for detailed explanation.

### Typical Characteristics (continued)

T<sub>J</sub> = 125°C, unless stated otherwise.



## 7 Detailed Description

### 7.1 Functional Block Diagram

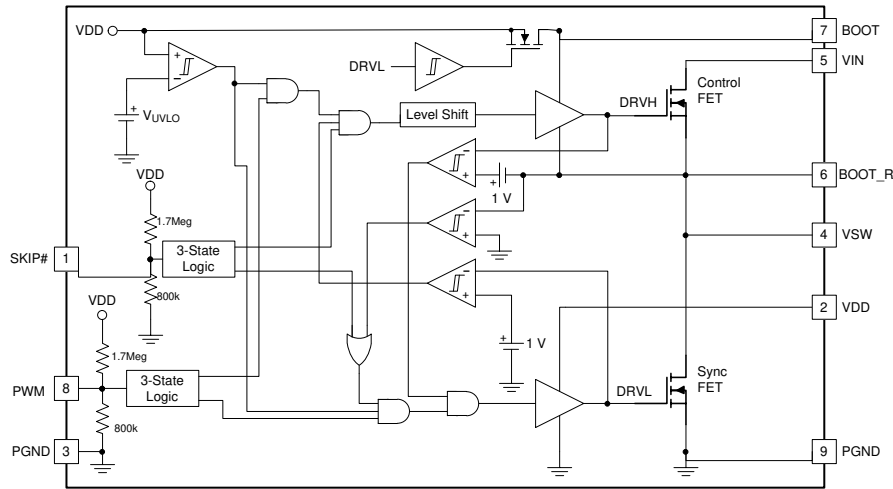


Figure 11. Functional Block Diagram

### 7.2 Powering CSD97374Q4M and Gate Drivers

An external  $V_{DD}$  voltage is required to supply the integrated gate driver IC and provide the necessary gate drive power for the MOSFETS. A 1- $\mu$ F 10-V X5R or higher ceramic capacitor is recommended to bypass  $V_{DD}$  pin to  $P_{GND}$ . A bootstrap circuit to provide gate drive power for the control FET is also included. The bootstrap supply to drive the control FET is generated by connecting a 100-nF 16-V X5R ceramic capacitor between BOOT and BOOT\_R pins. An optional  $R_{BOOT}$  resistor can be used to slow down the turnon speed of the control FET and reduce voltage spikes on the  $V_{SW}$  node. A typical 1- $\Omega$  to 4.7- $\Omega$  value is a compromise between switching loss and  $V_{SW}$  spike amplitude.

### 7.3 Undervoltage Lockout (UVLO)

The undervoltage lockout (UVLO) comparator evaluates the  $V_{DD}$  voltage level. As  $V_{VDD}$  rises, both the control FET and sync FET gates hold actively low at all times until  $V_{VDD}$  reaches the higher UVLO threshold ( $V_{UVLO\_H}$ ). Then the driver becomes operational and responds to PWM and SKIP# commands. If  $V_{DD}$  falls below the lower UVLO threshold ( $V_{UVLO\_L} = V_{UVLO\_H} - \text{hysteresis}$ ), the device disables the driver and drives the outputs of the control FET and sync FET gates actively low. Figure 12 shows this function.

**CAUTION**

Do not start the driver in the very low power mode (SKIP# = tri-state).

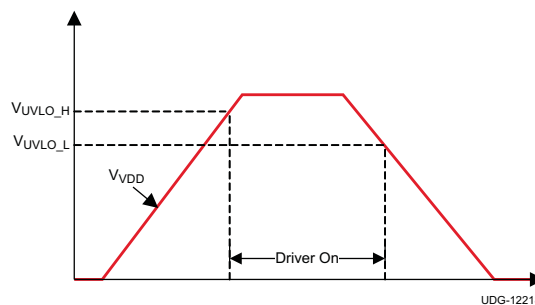


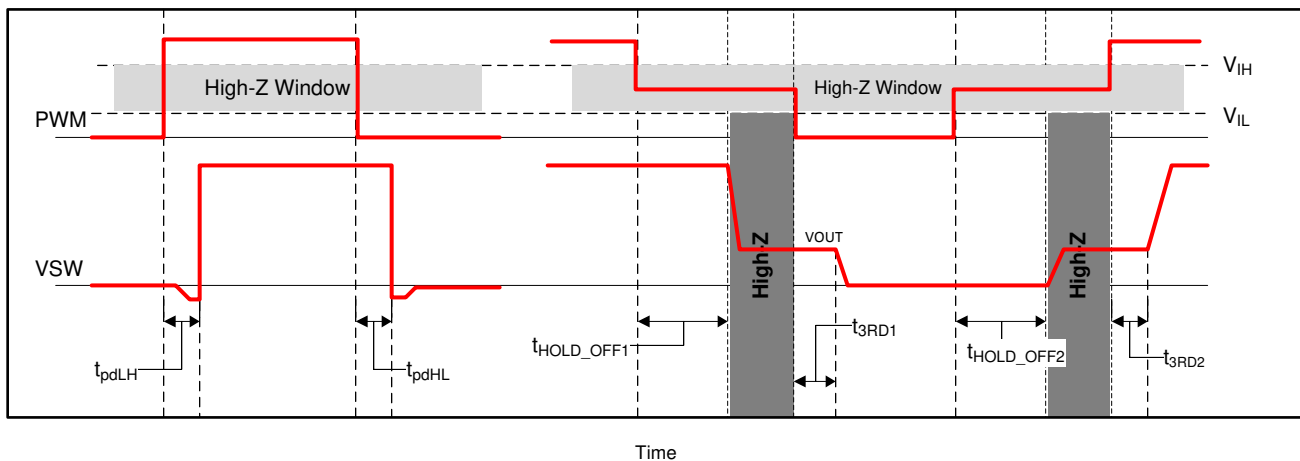
Figure 12. UVLO Operation

## 7.4 PWM Pin

The PWM pin incorporates an input tri-state function. The device forces the gate driver outputs to low when PWM is driven into the tri-state window and the driver enters a low-power state with zero exit latency. The pin incorporates a weak pullup to maintain the voltage within the tri-state window during low-power modes. Operation into and out of tri-state mode follows the timing diagram outlined in Figure 13.

When VDD reaches the UVLO\_H level, a tri-state voltage range (window) is set for the PWM input voltage. The window is defined the PWM voltage range between PWM logic high ( $V_{IH}$ ) and logic low ( $V_{IL}$ ) thresholds. The device sets high-level input voltage and low-level input voltage threshold levels to accommodate both 3.3-V (typical) and 5-V (typical) PWM drive signals.

When the PWM exits tri-state, the driver enters CCM for a period of 4  $\mu$ s, regardless of the state of the SKIP# pin. Normal operation requires this time period in order for the auto-zero comparator to resume.



**Figure 13. PWM Tri-State Timing Diagram**

## 7.5 SKIP# Pin

The SKIP# pin incorporates the input tri-state buffer as PWM. The function is somewhat different. When SKIP# is low, the zero crossing (ZX) detection comparator is enabled, and DCM mode operation occurs if the load current is less than the critical current. When SKIP# is high, the ZX comparator disables, and the converter enters FCCM mode. When both SKIP# and PWM are tri-stated, normal operation forces the gate driver outputs low and the driver enters a low-power state. In the low-power state, the UVLO comparator remains off to reduce quiescent current. When SKIP# is pulled low, the driver wakes up and is able to accept PWM pulses in less than 50  $\mu$ s.

Table 1 shows the logic functions of UVLO, PWM, SKIP#, the control FET gate and the sync FET gate.

**Table 1. Logic Functions of the Driver IC**

UVLO	PWM	SKIP#	SYNC FET GATE	CONTROL FET GATE	MODE
Active	—	—	Low	Low	Disabled
Inactive	Low	Low	High <sup>(1)</sup>	Low	DCM <sup>(1)</sup>
Inactive	Low	High	High	Low	FCCM
Inactive	High	H or L	Low	High	
Inactive	Tri-state	H or L	Low	Low	LQ
Inactive	—	Tri-state	Low	Low	ULQ

(1) Until zero crossing protection occurs.

### 7.5.1 Zero Crossing (ZX) Operation

The zero crossing comparator is adaptive for improved accuracy. As the output current decreases from a heavy load condition, the inductor current also reduces and eventually arrives at a *valley*, where it touches zero current, which is the boundary between continuous conduction and discontinuous conduction modes. The SW pin detects the zero-current condition. When this zero inductor current condition occurs, the ZX comparator turns off the rectifying MOSFET.

### 7.6 Integrated Boost-Switch

To maintain a BST-SW voltage close to VDD (to get lower conduction losses on the high-side FET), the conventional diode between the VDD pin and the BST pin is replaced by a FET which is gated by the DRVL signal.

## 8 Application and Implementation

### NOTE

Information in the following applications sections is not part of the TI component specification, and TI does not warrant its accuracy or completeness. TI's customers are responsible for determining suitability of components for their purposes. Customers should validate and test their design implementation to confirm system functionality.

### 8.1 Application Information

The power stage CSD97374Q4M is a highly optimized design for synchronous buck applications using NexFET devices with a 5-V gate drive. The control FET and sync FET silicon are parametrically tuned to yield the lowest power loss and highest system efficiency. As a result, a rating method is used that is tailored towards a more systems-centric environment. The high-performance gate driver IC integrated in the package helps minimize the parasitics and results in extremely fast switching of the power MOSFETs. System-level performance curves such as power loss, safe operating area and normalized graphs allow engineers to predict the product performance in the actual application.

### 8.2 Power Loss Curves

MOSFET centric parameters such as  $R_{DS(ON)}$  and  $Q_{gd}$  are primarily needed by engineers to estimate the loss generated by the devices. In an effort to simplify the design process for engineers, Texas Instruments has provided measured power loss performance curves. [Figure 1](#) plots the power loss of the CSD97374Q4M as a function of load current. This curve is measured by configuring and running the CSD97374Q4M as it would be in the final application (see [Figure 14](#)). The measured power loss is the CSD97374Q4M device power loss which consists of both input conversion loss and gate drive loss. [Equation 1](#) is used to generate the power loss curve.

$$\text{Power loss} = (V_{IN} \times I_{IN}) + (V_{DD} \times I_{DD}) - (V_{SW\_AVG} \times I_{OUT}) \quad (1)$$

The power loss curve in [Figure 1](#) is measured at the maximum recommended junction temperature of  $T_J = 125^\circ\text{C}$  under isothermal test conditions.

### 8.3 Safe Operating Curves (SOA)

The SOA curves in the CSD97374Q4M data sheet give engineers guidance on the temperature boundaries within an operating system by incorporating the thermal resistance and system power loss. [Figure 3](#) and [Figure 4](#) outline the temperature and airflow conditions required for a given load current. The area under the curve dictates the safe operating area. All the curves are based on measurements made on a PCB design with dimensions of 4 in (W) x 3.5 in (L) x 0.062 in (T) and 6 copper layers of 1-oz copper thickness.

### 8.4 Normalized Curves

The normalized curves in the CSD97374Q4M data sheet give engineers guidance on the power loss and SOA adjustments based on their application specific needs. These curves show how the power loss and SOA boundaries will adjust for a given set of systems conditions. The primary Y-axis is the normalized change in power loss and the secondary Y-axis is the change in system temperature required in order to comply with the SOA curve. The change in power loss is a multiplier for the power loss curve and the change in temperature is subtracted from the SOA curve.

## Normalized Curves (continued)

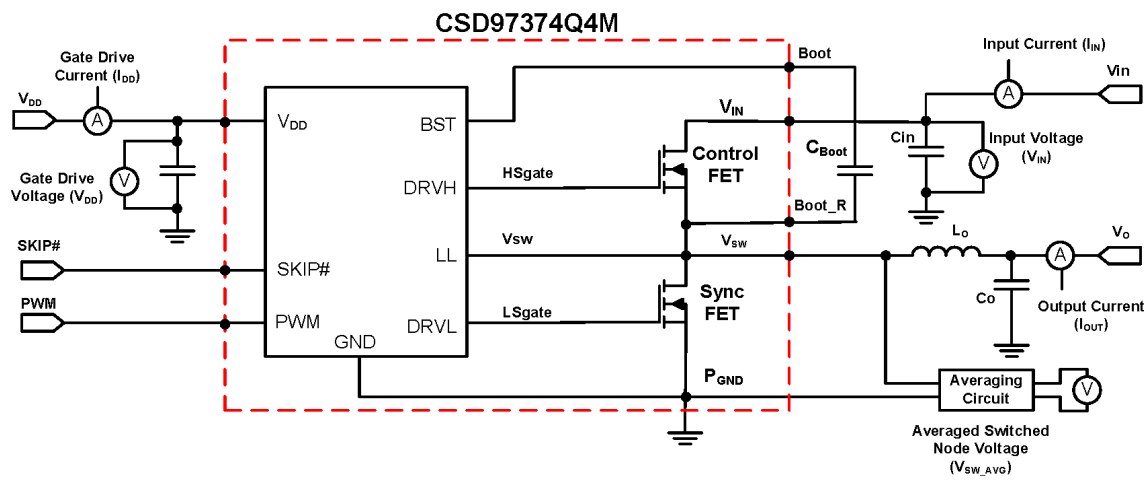


Figure 14. Power Loss Test Circuit

## 8.5 Calculating Power Loss and SOA

The user can estimate product loss and SOA boundaries by arithmetic means (see [Design Example](#)). Though the power loss and SOA curves in this data sheet are taken for a specific set of test conditions, the following procedure will outline the steps engineers should take to predict product performance for any set of system conditions.

### 8.5.1 Design Example

Operating conditions: output current ( $I_{OUT}$ ) = 15 A, input voltage ( $V_{IN}$ ) = 7 V, output voltage ( $V_{OUT}$ ) = 1.5 V, switching frequency ( $f_{SW}$ ) = 800 kHz, output inductor ( $L_{OUT}$ ) = 0.2  $\mu$ H

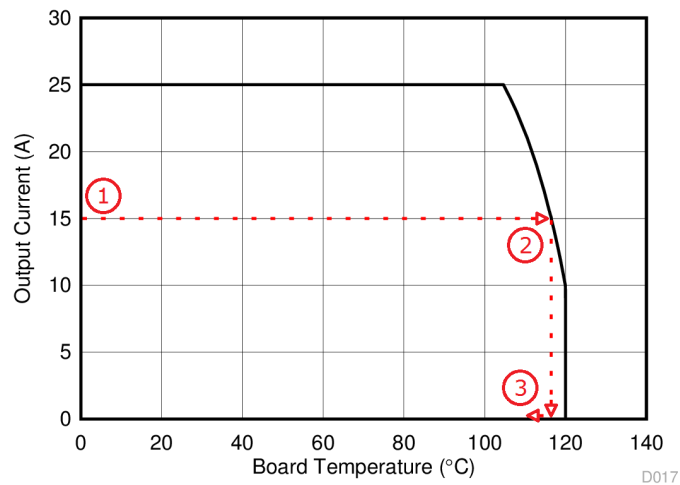
### 8.5.2 Calculating Power Loss

- Typical power loss at 15 A = 2.8 W ([Figure 1](#))
- Normalized power loss for switching frequency  $\approx$  1.02 ([Figure 5](#))
- Normalized power loss for input voltage  $\approx$  1.07 ([Figure 6](#))
- Normalized power loss for output voltage  $\approx$  0.94 ([Figure 7](#))
- Normalized power loss for output inductor  $\approx$  1.08 ([Figure 8](#))
- **Final calculated power loss = 2.8 W  $\times$  1.02  $\times$  1.07  $\times$  0.94  $\times$  1.08  $\approx$  3.1 W**

### 8.5.3 Calculating SOA Adjustments

- SOA adjustment for switching frequency  $\approx$  0.3°C ([Figure 5](#))
- SOA adjustment for input voltage  $\approx$  1.2°C ([Figure 6](#))
- SOA adjustment for output voltage  $\approx$  -1.1°C ([Figure 7](#))
- SOA adjustment for output inductor  $\approx$  1.4°C ([Figure 8](#))
- **Final calculated SOA adjustment = 0.3 + 1.2 + (-1.1) + 1.4  $\approx$  1.8°C**

## Calculating Power Loss and SOA (continued)



**Figure 15. Power Stage CSD97374Q4M SOA**

In the design example above, the estimated power loss of the CSD97374Q4M would increase to 3.1 W. In addition, the maximum allowable board and/or ambient temperature would have to decrease by 1.8°C. Figure 15 graphically shows how the SOA curve would be adjusted accordingly.

1. Start by drawing a horizontal line from the application current to the SOA curve.
2. Draw a vertical line from the SOA curve intercept down to the board/ambient temperature.
3. Adjust the SOA board/ambient temperature by subtracting the temperature adjustment value.

In the design example, the SOA temperature adjustment yields a reduction in allowable board/ambient temperature of 1.8°C. In the event the adjustment value is a negative number, subtracting the negative number would yield an increase in allowable board/ambient temperature.

## 9 Layout

### 9.1 Layout Guidelines

#### 9.1.1 Recommended PCB Design Overview

There are two key system-level parameters that can be addressed with a proper PCB design: electrical and thermal performance. Properly optimizing the PCB layout will yield maximum performance in both areas. Below is a brief description on how to address each parameter.

#### 9.1.2 Electrical Performance

The CSD97374Q4M has the ability to switch at voltage rates greater than 10 kV/μs. Special care must be then taken with the PCB layout design and placement of the input capacitors, inductor and output capacitors.

- The placement of the input capacitors relative to  $V_{IN}$  and  $P_{GND}$  pins of CSD97374Q4M device should have the highest priority during the component placement routine. It is critical to minimize these node lengths. As such, ceramic input capacitors need to be placed as close as possible to the  $V_{IN}$  and  $P_{GND}$  pins (see [Figure 16](#)). The example in [Figure 16](#) uses 1 × 1-nF 0402 25-V and 3 × 10-μF 1206 25-V ceramic capacitors (TDK Part # C3216X5R1C106KT or equivalent). Notice there are ceramic capacitors on both sides of the board with an appropriate amount of vias interconnecting both layers. In terms of priority of placement next to the power stage C5, C8 and C6, C19 should follow in order.
- The bootstrap cap  $C_{BOOT}$  0.1-μF 0603 16-V ceramic capacitor should be closely connected between BOOT and BOOT\_R pins.
- The switching node of the output inductor should be placed relatively close to the power stage CSD97374Q4M  $V_{SW}$  pins. Minimizing the  $V_{SW}$  node length between these two components will reduce the PCB conduction losses and actually reduce the switching noise level. <sup>(1)</sup>

#### 9.1.3 Thermal Performance

The CSD97374Q4M has the ability to use the GND planes as the primary thermal path. As such, the use of thermal vias is an effective way to pull away heat from the device and into the system board. Concerns of solder voids and manufacturability problems can be addressed by the use of three basic tactics to minimize the amount of solder attach that will wick down the via barrel:

- Intentionally space out the vias from each other to avoid a cluster of holes in a given area.
- Use the smallest drill size allowed in your design. The example in [Figure 16](#) uses vias with a 10-mil drill hole and a 16-mil capture pad.
- Tent the opposite side of the via with solder-mask.

In the end, the number and drill size of the thermal vias should align with the end user's PCB design rules and manufacturing capabilities.

(1) Keong W. Kam, David Pommerenke, "EMI Analysis Methods for Synchronous Buck Converter EMI Root Cause Analysis", University of Missouri – Rolla

## 9.2 Layout Example

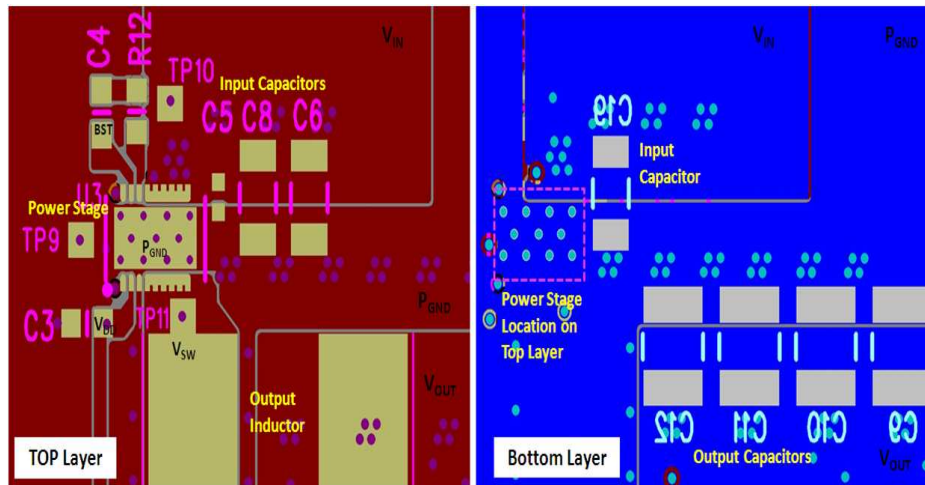


Figure 16. Recommended PCB Layout (Top Down View)

## 10 Device and Documentation Support

### 10.1 Receiving Notification of Documentation Updates

To receive notification of documentation updates, navigate to the device product folder on ti.com. In the upper right corner, click on *Alert me* to register and receive a weekly digest of any product information that has changed. For change details, review the revision history included in any revised document.

### 10.2 Community Resources

[TI E2E™ support forums](#) are an engineer's go-to source for fast, verified answers and design help — straight from the experts. Search existing answers or ask your own question to get the quick design help you need.

Linked content is provided "AS IS" by the respective contributors. They do not constitute TI specifications and do not necessarily reflect TI's views; see TI's [Terms of Use](#).

### 10.3 Trademarks

NexFET, E2E are trademarks of Texas Instruments.

Windows is a trademark of Microsoft.

All other trademarks are the property of their respective owners.

### 10.4 Electrostatic Discharge Caution



These devices have limited built-in ESD protection. The leads should be shorted together or the device placed in conductive foam during storage or handling to prevent electrostatic damage to the MOS gates.

### 10.5 Glossary

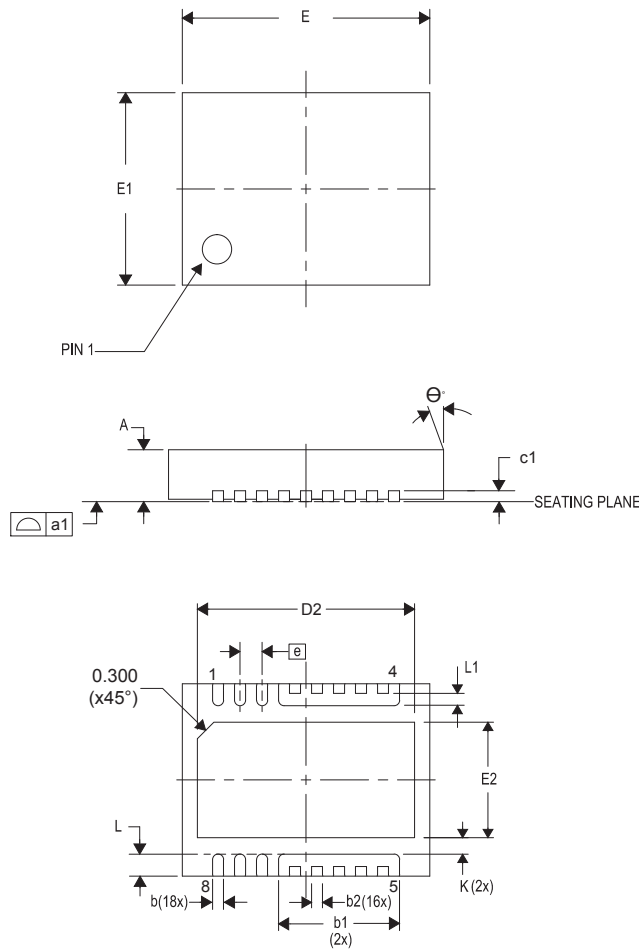
[SLYZ022](#) — *TI Glossary*.

This glossary lists and explains terms, acronyms, and definitions.

## 11 Mechanical, Packaging, and Orderable Information

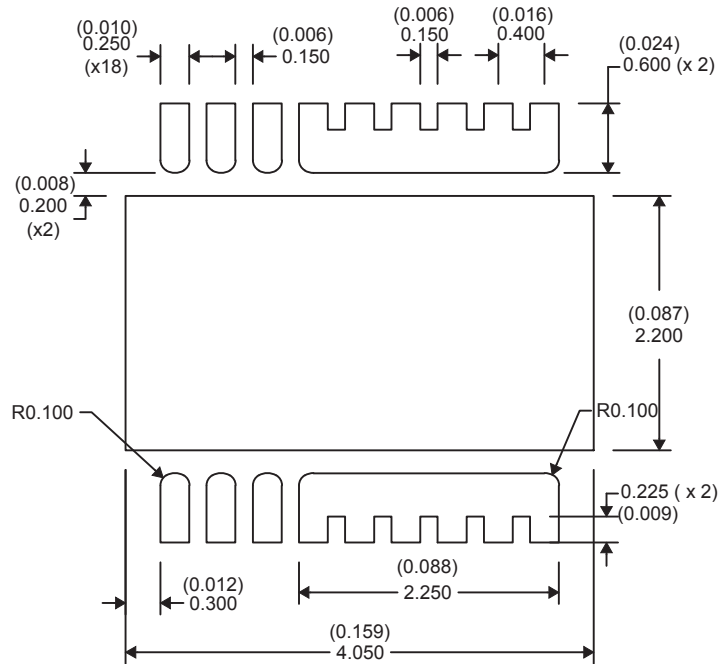
The following pages include mechanical, packaging, and orderable information. This information is the most current data available for the designated devices. This data is subject to change without notice and revision of this document. For browser-based versions of this data sheet, refer to the left-hand navigation.

### 11.1 Mechanical Dimensions

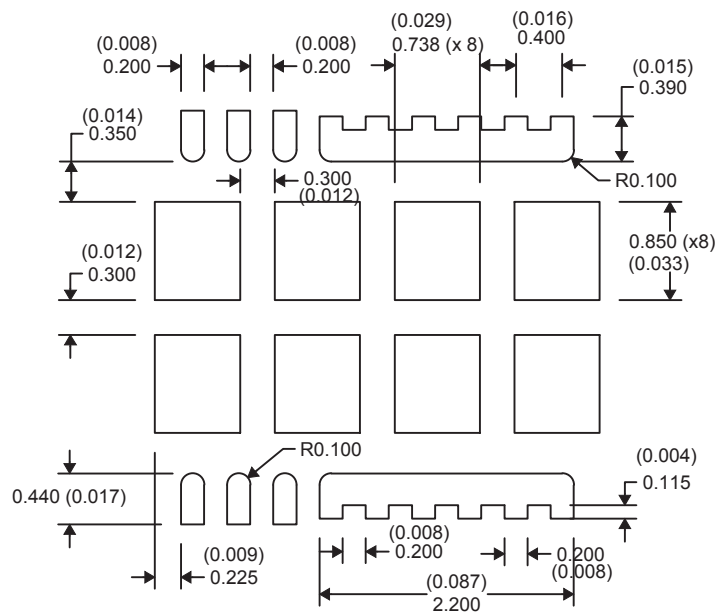


DIM	MILLIMETERS			INCHES		
	MIN	NOM	MAX	MIN	NOM	MAX
A	0.800	0.900	1.000	0.031	0.035	0.039
a1	0.000	0.000	0.080	0.000	0.000	0.003
b	0.150	0.200	0.250	0.006	0.008	0.010
b1	2.000	2.200	2.400	0.079	0.087	0.095
b2	0.150	0.200	0.250	0.006	0.008	0.010
c1	0.150	0.200	0.250	0.006	0.008	0.010
D2	3.850	3.950	4.050	0.152	0.156	0.160
E	4.400	4.500	4.600	0.173	0.177	0.181
E1	3.400	3.500	3.600	0.134	0.138	0.142
E2	2.000	2.100	2.200	0.079	0.083	0.087
e	0.400 TYP			0.016 TYP		
K	0.300 TYP			0.012 TYP		
L	0.300	0.400	0.500	0.012	0.016	0.020
L1	0.180	0.230	0.280	0.007	0.009	0.011
θ	0.00	—	—	0.00	—	—

### 11.2 Recommended PCB Land Pattern



### 11.3 Recommended Stencil Opening



NOTE: Dimensions are in mm (inches).

**PACKAGING INFORMATION**

Orderable part number	Status (1)	Material type (2)	Package   Pins	Package qty   Carrier	RoHS (3)	Lead finish/ Ball material (4)	MSL rating/ Peak reflow (5)	Op temp (°C)	Part marking (6)
<a href="#">CSD97374Q4M</a>	Active	Production	VSON-CLIP (DPC)   8	2500   LARGE T&R	ROHS Exempt	NIPDAU   SN	Level-2-260C-1 YEAR	-40 to 150	97374M
CSD97374Q4MG4	Active	Production	VSON-CLIP (DPC)   8	2500   LARGE T&R	ROHS Exempt	NIPDAU	Level-2-260C-1 YEAR	-40 to 150	97374M

(1) **Status:** For more details on status, see our [product life cycle](#).

(2) **Material type:** When designated, preproduction parts are prototypes/experimental devices, and are not yet approved or released for full production. Testing and final process, including without limitation quality assurance, reliability performance testing, and/or process qualification, may not yet be complete, and this item is subject to further changes or possible discontinuation. If available for ordering, purchases will be subject to an additional waiver at checkout, and are intended for early internal evaluation purposes only. These items are sold without warranties of any kind.

(3) **RoHS values:** Yes, No, RoHS Exempt. See the [TI RoHS Statement](#) for additional information and value definition.

(4) **Lead finish/Ball material:** Parts may have multiple material finish options. Finish options are separated by a vertical ruled line. Lead finish/Ball material values may wrap to two lines if the finish value exceeds the maximum column width.

(5) **MSL rating/Peak reflow:** The moisture sensitivity level ratings and peak solder (reflow) temperatures. In the event that a part has multiple moisture sensitivity ratings, only the lowest level per JEDEC standards is shown. Refer to the shipping label for the actual reflow temperature that will be used to mount the part to the printed circuit board.

(6) **Part marking:** There may be an additional marking, which relates to the logo, the lot trace code information, or the environmental category of the part.

Multiple part markings will be inside parentheses. Only one part marking contained in parentheses and separated by a "-" will appear on a part. If a line is indented then it is a continuation of the previous line and the two combined represent the entire part marking for that device.

**Important Information and Disclaimer:**The information provided on this page represents TI's knowledge and belief as of the date that it is provided. TI bases its knowledge and belief on information provided by third parties, and makes no representation or warranty as to the accuracy of such information. Efforts are underway to better integrate information from third parties. TI has taken and continues to take reasonable steps to provide representative and accurate information but may not have conducted destructive testing or chemical analysis on incoming materials and chemicals. TI and TI suppliers consider certain information to be proprietary, and thus CAS numbers and other limited information may not be available for release.

In no event shall TI's liability arising out of such information exceed the total purchase price of the TI part(s) at issue in this document sold by TI to Customer on an annual basis.

**TAPE AND REEL INFORMATION**

**QUADRANT ASSIGNMENTS FOR PIN 1 ORIENTATION IN TAPE**


\*All dimensions are nominal

Device	Package Type	Package Drawing	Pins	SPQ	Reel Diameter (mm)	Reel Width W1 (mm)	A0 (mm)	B0 (mm)	K0 (mm)	P1 (mm)	W (mm)	Pin1 Quadrant
CSD97374Q4MG4	VSON-CLIP	DPC	8	2500	330.0	12.4	3.71	4.71	1.1	8.0	12.0	Q1

**TAPE AND REEL BOX DIMENSIONS**


\*All dimensions are nominal

Device	Package Type	Package Drawing	Pins	SPQ	Length (mm)	Width (mm)	Height (mm)
CSD97374Q4MG4	VSON-CLIP	DPC	8	2500	346.0	346.0	33.0

## IMPORTANT NOTICE AND DISCLAIMER

TI PROVIDES TECHNICAL AND RELIABILITY DATA (INCLUDING DATASHEETS), DESIGN RESOURCES (INCLUDING REFERENCE DESIGNS), APPLICATION OR OTHER DESIGN ADVICE, WEB TOOLS, SAFETY INFORMATION, AND OTHER RESOURCES "AS IS" AND WITH ALL FAULTS, AND DISCLAIMS ALL WARRANTIES, EXPRESS AND IMPLIED, INCLUDING WITHOUT LIMITATION ANY IMPLIED WARRANTIES OF MERCHANTABILITY, FITNESS FOR A PARTICULAR PURPOSE OR NON-INFRINGEMENT OF THIRD PARTY INTELLECTUAL PROPERTY RIGHTS.

These resources are intended for skilled developers designing with TI products. You are solely responsible for (1) selecting the appropriate TI products for your application, (2) designing, validating and testing your application, and (3) ensuring your application meets applicable standards, and any other safety, security, regulatory or other requirements.

These resources are subject to change without notice. TI grants you permission to use these resources only for development of an application that uses the TI products described in the resource. Other reproduction and display of these resources is prohibited. No license is granted to any other TI intellectual property right or to any third party intellectual property right. TI disclaims responsibility for, and you fully indemnify TI and its representatives against any claims, damages, costs, losses, and liabilities arising out of your use of these resources.

TI's products are provided subject to [TI's Terms of Sale](#), [TI's General Quality Guidelines](#), or other applicable terms available either on [ti.com](http://ti.com) or provided in conjunction with such TI products. TI's provision of these resources does not expand or otherwise alter TI's applicable warranties or warranty disclaimers for TI products. Unless TI explicitly designates a product as custom or customer-specified, TI products are standard, catalog, general purpose devices.

TI objects to and rejects any additional or different terms you may propose.

Copyright © 2026, Texas Instruments Incorporated

Last updated 10/2025