

ISO1042 Isolated CAN Transceiver With 70-V Bus Fault Protection and Flexible Data Rate

1 Features

- Meets the ISO 11898-2:2016 physical layer standard
- Supports classic CAN up to 1 Mbps and FD (Flexible Data Rate) up to 5 Mbps
- Low loop delay: 152 ns
- Protection features
 - DC bus fault protection voltage: ± 70 V
 - HBM ESD tolerance on bus pins: ± 16 kV
 - Driver Dominant Time Out (TXD DTO)
 - Undervoltage protection on V_{CC1} and V_{CC2}
- Common-Mode Voltage Range: ± 30 V
- Ideal passive, high impedance bus terminals when unpowered
- High CMTI: 100 kV/ μ s
- V_{CC1} voltage range: 1.71 V to 5.5 V
 - Supports 1.8-V, 2.5-V, 3.3-V and 5.0-V logic interface to the CAN controller
- V_{CC2} Voltage Range: 4.5 V to 5.5 V
- Robust Electromagnetic Compatibility (EMC)
 - System-level ESD, EFT, and surge immunity
 - Low emissions
- Ambient Temperature Range: -40°C to $+125^{\circ}\text{C}$
- 16-SOIC and 8-SOIC package options
- Automotive version available: [ISO1042-Q1](#)
- Safety-related certifications:
 - 7071- V_{PK} V_{IOTM} and 1500- V_{PK} V_{IORM} (Reinforced and Basic Options) per DIN VDE V 0884-11:2017-01
 - 5000- V_{RMS} Isolation for 1 Minute per UL 1577
 - IEC 60950-1, IEC 60601-1 and EN 61010-1 certifications
 - CQC, TUV and CSA certifications

2 Applications

- [AC and servo drives](#)
- [Solar inverters](#)
- [PLC and DCS communication modules](#)
- [Elevators and escalators](#)
- [Industrial power supplies](#)
- [Battery charging and management](#)

3 Description

The ISO1042 device is a galvanically-isolated controller area network (CAN) transceiver that meets the specifications of the ISO11898-2 (2016) standard. The ISO1042 device offers ± 70 -V DC bus fault protection and ± 30 -V common-mode voltage range. The device supports up to 5-Mbps data rate in CAN FD mode allowing much faster transfer of payload compared to classic CAN. This device uses a silicon dioxide (SiO_2) insulation barrier with a withstand voltage of 5000 V_{RMS} and a working voltage of 1060 V_{RMS} . Electromagnetic compatibility has been significantly enhanced to enable system-level ESD, EFT, surge, and emissions compliance. Used in conjunction with isolated power supplies, the device protects against high voltage, and prevents noise currents from the bus from entering the local ground. The ISO1042 device is available for both basic and reinforced isolation (see [Reinforced and Basic Isolation Options](#)). The ISO1042 device supports a wide ambient temperature range of -40°C to $+125^{\circ}\text{C}$. The device is available in the SOIC-16 (DW) package and a smaller SOIC-8 (DWV) package.

Device Information⁽¹⁾

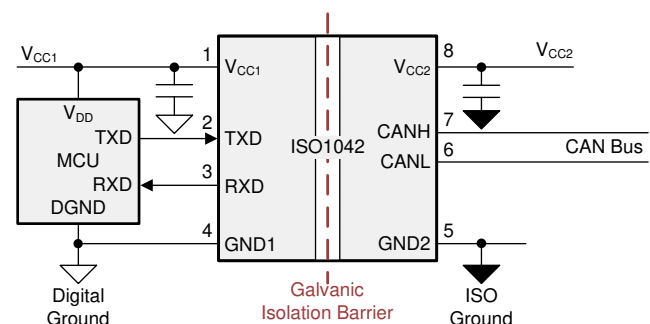
PART NUMBER	PACKAGE	BODY SIZE (NOM)
ISO1042	SOIC (8)	5.85 mm x 7.50 mm
	SOIC (16)	10.30 mm x 7.50 mm

(1) For all available packages, see the orderable addendum at the end of the data sheet.

Reinforced and Basic Isolation Options

FEATURE	ISO1042x	ISO1042Bx
Protection Level	Reinforced	Basic
Surge Test Voltage	10000 V_{PK}	6000 V_{PK}
Isolation Rating	5000 V_{RMS}	5000 V_{RMS}
Working Voltage	1060 V_{RMS} / 1500 V_{PK}	1060 V_{RMS} / 1500 V_{PK}

Application Diagram



Copyright © 2017, Texas Instruments Incorporated



Table of Contents

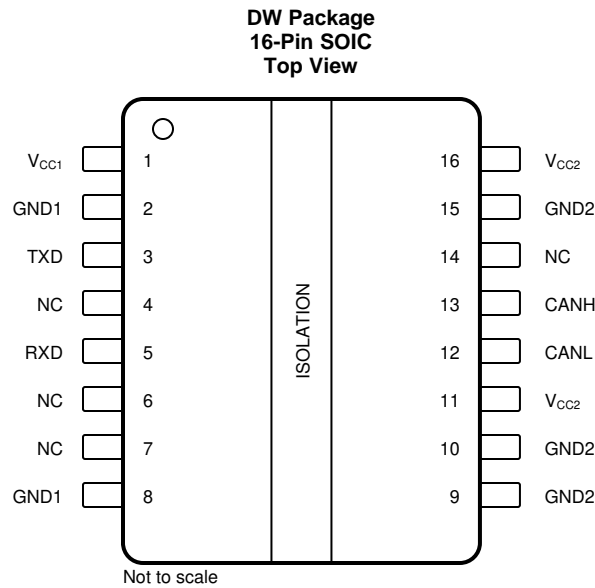
1 Features	1	8 Detailed Description	19
2 Applications	1	8.1 Overview	19
3 Description	1	8.2 Functional Block Diagram	19
4 Revision History	2	8.3 Feature Description	19
5 Pin Configuration and Functions	3	8.4 Device Functional Modes	23
6 Specifications	5	9 Application and Implementation	24
6.1 Absolute Maximum Ratings	5	9.1 Application Information	24
6.2 ESD Ratings	5	9.2 Typical Application	24
6.3 Transient Immunity	5	9.3 DeviceNet Application	27
6.4 Recommended Operating Conditions	5	10 Power Supply Recommendations	28
6.5 Thermal Information	6	11 Layout	29
6.6 Power Ratings	6	11.1 Layout Guidelines	29
6.7 Insulation Specifications	7	11.2 Layout Example	29
6.8 Safety-Related Certifications	8	12 Device and Documentation Support	31
6.9 Safety Limiting Values	8	12.1 Documentation Support	31
6.10 Electrical Characteristics - DC Specification	9	12.2 Receiving Notification of Documentation Updates	31
6.11 Switching Characteristics	11	12.3 Community Resource	31
6.12 Insulation Characteristics Curves	12	12.4 Trademarks	31
6.13 Typical Characteristics	13	12.5 Electrostatic Discharge Caution	31
7 Parameter Measurement Information	15	12.6 Glossary	31
7.1 Test Circuits	15	13 Mechanical, Packaging, and Orderable Information	31

4 Revision History

NOTE: Page numbers for previous revisions may differ from page numbers in the current version.

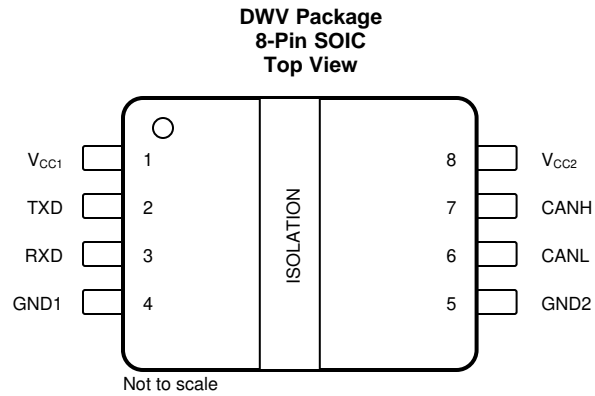
Changes from Revision D (October 2019) to Revision E	Page
• Changed new safety certification	1
Changes from Revision C (October 2018) to Revision D	Page
• Added ISO1042-Q1 link	1
Changes from Revision B (July 2018) to Revision C	Page
• Initial Release	1
Changes from Revision A (May 2018) to Revision B	Page
• Increased the size of the GND2 plane and changed the NC pin to GND2 in the <i>16-DW Layout Example</i>	30
Changes from Original (December 2017) to Revision A	Page
• Changed pin 10 from NC to GND2	3

5 Pin Configuration and Functions



Pin Functions—16 Pins

PIN		I/O	DESCRIPTION
NO.	NAME		
1	V _{CC1}	—	Digital-side supply voltage, Side 1
2	GND1	—	Digital-side ground connection, Side 1
3	TXD	I	CAN transmit data input (LOW for dominant and HIGH for recessive bus states)
4	NC	—	Not connected
5	RXD	O	CAN receive data output (LOW for dominant and HIGH for recessive bus states)
6	NC	—	Not connected
7	NC	—	Not connected
8	GND1	—	Digital-side ground connection, Side 1
9	GND2	—	Transceiver-side ground connection, Side 2
10			
11	V _{CC2}	—	Transceiver-side supply voltage, Side 2. Must be externally connected to pin 16.
12	CANL	I/O	Low-level CAN bus line
13	CANH	I/O	High-level CAN bus line
14	NC	—	Not connected
15	GND2	—	Transceiver-side ground connection, Side 2
16	V _{CC2}	—	Transceiver-side supply voltage, Side 2. Must be externally connected to pin 11.



Pin Functions—8 Pins

PIN		I/O	DESCRIPTION
NO.	NAME		
1	V _{CC1}	—	Digital-side supply voltage, Side 1
2	TXD	I	CAN transmit data input (LOW for dominant and HIGH for recessive bus states)
3	RXD	O	CAN receive data output (LOW for dominant and HIGH for recessive bus states)
4	GND1	—	Digital-side ground connection, Side 1
5	GND2	—	Transceiver-side ground connection, Side 2
6	CANL	I/O	Low-level CAN bus line
7	CANH	I/O	High-level CAN bus line
8	V _{CC2}	—	Transceiver-side supply voltage, Side 2

6 Specifications

6.1 Absolute Maximum Ratings

Over operating free-air temperature range (unless otherwise noted)⁽¹⁾⁽²⁾

		MIN	MAX	UNIT
V _{CC1}	Supply voltage, side 1	-0.5	6	V
V _{CC2}	Supply voltage, side 2	-0.5	6	V
V _{IO}	Logic input and output voltage range (TXD and RXD)	-0.5	V _{CC1} +0.5 ⁽³⁾	V
I _O	Output current on RXD pin	-15	15	mA
V _{BUS}	Voltage on bus pins (CANH, CANL)	-70	70	V
V _{BUS_DIFF}	Differential voltage on bus pins (CANH-CANL)	-70	70	V
T _J	Junction temperature	-40	150	°C
T _{STG}	Storage temperature	-65	150	°C

- (1) Stresses beyond those listed under *Absolute Maximum Ratings* may cause permanent damage to the device. These are stress ratings only, which do not imply functional operation of the device at these or any other conditions beyond those indicated under *Recommended Operating Conditions*. Exposure to absolute-maximum-rated conditions for extended periods may affect device reliability.
- (2) All voltage values except differential I/O bus voltages are with respect to the local ground terminal (GND1 or GND2) and are peak voltage values.
- (3) Maximum voltage must not exceed 6 V

6.2 ESD Ratings

			VALUE	UNIT
V _(ESD)	Electrostatic discharge Human body model (HBM), per ANSI/ESDA/JEDEC JS-001	All pins ⁽¹⁾	±6000	V
		CANH and CANL to GND2 ⁽¹⁾	±16000	V
	Electrostatic discharge Charged device model (CDM), per JEDEC specification JESD22-C101	All pins ⁽²⁾	±1500	

- (1) JEDEC document JEP155 states that 500-V HBM allows safe manufacturing with a standard ESD control process.
- (2) JEDEC document JEP157 states that 250-V CDM allows safe manufacturing with a standard ESD control process.

6.3 Transient Immunity

	PARAMETER	TEST CONDITIONS	VALUE	UNIT
V _{PULSE}	ISO7637-2 Transients according to GIFT - ICT CAN EMC test specification	Pulse 1; CAN bus terminals (CANH, CANL) to GND2	-100	V
		Pulse 2; CAN bus terminals (CANH, CANL) to GND2	75	V
		Pulse 3a; CAN bus terminals (CANH, CANL) to GND2	-150	V
		Pulse 3b; CAN bus terminals (CANH, CANL) to GND2	100	V

6.4 Recommended Operating Conditions

		MIN	MAX	UNIT
V _{CC1}	Supply Voltage, Side 1, 1.8-V operation	1.71	1.89	V
	Supply Voltage, Side 1, 2.5-V, 3.3-V and 5.5-V operation	2.25	5.5	V
V _{CC2}	Supply Voltage, Side 2	4.5	5.5	V
T _A	Operating ambient temperature	-40	125	°C

6.5 Thermal Information

THERMAL METRIC ⁽¹⁾		ISO1042		UNIT
		DW (SOIC)	DWV (SOIC)	
		16 PINS	8 PINS	
R _{θJA}	Junction-to-ambient thermal resistance	69.9	100	°C/W
R _{θJC(top)}	Junction-to-case (top) thermal resistance	31.8	40.8	°C/W
R _{θJB}	Junction-to-board thermal resistance	29.0	51.8	°C/W
Ψ _{JT}	Junction-to-top characterization parameter	13.2	16.8	°C/W
Ψ _{JB}	Junction-to-board characterization parameter	28.6	49.8	°C/W
R _{θJC(bot)}	Junction-to-case (bottom) thermal resistance	-	-	°C/W

(1) For more information about traditional and new thermal metrics, see the [Semiconductor and IC Package Thermal Metrics](#) application report.

6.6 Power Ratings

PARAMETER		TEST CONDITIONS	MIN	TYP	MAX	UNIT
P _D	Maximum power dissipation (both sides)	See Figure 17 , V _{CC1} = V _{CC2} = 5.5 V, T _J = 150°C, R _L = 50 Ω, A repetitive pattern on TXD with 1 ms time period, 990 μs LOW time, and 10 μs HIGH time.			385	mW
P _{D1}	Maximum power dissipation (side-1)	See Figure 19 , V _{CC1} = V _{CC2} = 5.5 V, T _J = 150°C, R _L = 50 Ω, Input a 2-V pk-pk 2.5-MHz 50% duty cycle differential square wave on CANH-CANL			25	mW
P _{D2}	Maximum power dissipation (side-2)	See Figure 17 , V _{CC1} = V _{CC2} = 5.5 V, T _J = 150°C, R _L = 50 Ω, A repetitive pattern on TXD with 1 ms time period, 990 μs LOW time, and 10 μs HIGH time.			360	mW

6.7 Insulation Specifications

PARAMETER		TEST CONDITIONS	SPECIFICATIONS		UNIT
			DW-16	DWV-8	
IEC 60664-1					
CLR	External clearance ⁽¹⁾	Side 1 to side 2 distance through air	>8	>8.5	mm
CPG	External Creepage ⁽¹⁾	Side 1 to side 2 distance across package surface	>8	>8.5	mm
DTI	Distance through the insulation	Minimum internal gap (internal clearance)	>17	>17	µm
CTI	Comparative tracking index	IEC 60112; UL 746A	>600	>600	V
	Material Group	According to IEC 60664-1	I	I	
	Overvoltage category	Rated mains voltage ≤ 600 V _{RMS}	I-IV	I-IV	
		Rated mains voltage ≤ 1000 V _{RMS}	I-III	I-III	
DIN VDE V 0884-11:2017-01⁽²⁾					
V _{IORM}	Maximum repetitive peak isolation voltage	AC voltage (bipolar)	1500	1500	V _{PK}
V _{IOWM}	Maximum isolation working voltage	AC voltage (sine wave); time-dependent dielectric breakdown (TDDB) test;	1060	1060	V _{RMS}
		DC voltage	1500	1500	V _{DC}
V _{IOTM}	Maximum transient isolation voltage	V _{TEST} = V _{IOTM} , t = 60 s (qualification); V _{TEST} = 1.2 × V _{IOTM} , t = 1 s (100% production)	7071	7071	V _{PK}
V _{IOSM}	Maximum surge isolation voltage ISO1042 ⁽³⁾	Test method per IEC 62368-1, 1.2/50 µs waveform, V _{TEST} = 1.6 × V _{IOSM} = 10000 V _{PK} (qualification)	6250	6250	V _{PK}
	Maximum surge isolation voltage ISO1042B ⁽³⁾	Test method per IEC 62368-1, 1.2/50 µs waveform, V _{TEST} = 1.3 × V _{IOSM} = 6000 V _{PK} (qualification)	4615	4615	V _{PK}
q _{pd}	Apparent charge ⁽⁴⁾	Method a: After I/O safety test subgroup 2/3, V _{ini} = V _{IOTM} , t _{ini} = 60 s; V _{pd(m)} = 1.2 × V _{IORM} , t _m = 10 s	≤ 5	≤ 5	pC
		Method a: After environmental tests subgroup 1, V _{ini} = V _{IOTM} , t _{ini} = 60 s; ISO1042: V _{pd(m)} = 1.6 × V _{IORM} , t _m = 10 s; ISO1042B: V _{pd(m)} = 1.2 × V _{IORM} , t _m = 10 s	≤ 5	≤ 5	
		Method b1: At routine test (100% production) and preconditioning (type test), V _{ini} = V _{IOTM} , t _{ini} = 1 s; ISO1042: V _{pd(m)} = 1.875 × V _{IORM} , t _m = 1 s; ISO1042B: V _{pd(m)} = 1.5 × V _{IORM} , t _m = 1 s	≤ 5	≤ 5	
C _{IO}	Barrier capacitance, input to output ⁽⁵⁾	V _{IO} = 0.4 × sin (2 πft), f = 1 MHz	1	1	pF
R _{IO}	Insulation resistance, input to output ⁽⁵⁾	V _{IO} = 500 V, T _A = 25°C	> 10 ¹²	> 10 ¹²	Ω
		V _{IO} = 500 V, 100°C ≤ T _A ≤ 150°C	> 10 ¹¹	> 10 ¹¹	
		V _{IO} = 500 V at T _S = 150°C	> 10 ⁹	> 10 ⁹	
	Pollution degree		2	2	
	Climatic category		40/125/ 21	40/125/ 21	
UL 1577					
V _{ISO}	Withstand isolation voltage	V _{TEST} = V _{ISO} , t = 60 s (qualification); V _{TEST} = 1.2 × V _{ISO} , t = 1 s (100% production)	5000	5000	V _{RMS}

- (1) Creepage and clearance requirements should be applied according to the specific equipment isolation standards of an application. Care should be taken to maintain the creepage and clearance distance of a board design to ensure that the mounting pads of the isolator on the printed-circuit board do not reduce this distance. Creepage and clearance on a printed-circuit board become equal in certain cases. Techniques such as inserting grooves, ribs, or both on a printed circuit board are used to help increase these specifications.
- (2) ISO1042 is suitable for *safe electrical insulation* and ISO1042B is suitable for *basic electrical insulation* only within the safety ratings. Compliance with the safety ratings shall be ensured by means of suitable protective circuits.
- (3) Testing is carried out in air or oil to determine the intrinsic surge immunity of the isolation barrier.
- (4) Apparent charge is electrical discharge caused by a partial discharge (pd).
- (5) All pins on each side of the barrier tied together creating a two-pin device.

6.8 Safety-Related Certifications

VDE	CSA	UL	CQC	TUV
Certified according to DIN VDE V 0884-11:2017- 01	Certified according to IEC 60950-1, IEC 62368-1 and IEC 60601-1	Recognized under UL 1577 Component Recognition Program	Certified according to GB4943.1-2011	Certified according to EN 61010-1:2010/A1:2019, EN 60950-1:2006/A2:2013 and EN 62368-1:2014
Maximum transient isolation voltage, 7071 V _{PK} ; Maximum repetitive peak isolation voltage, 1500 V _{PK} ; Maximum surge isolation voltage, ISO1042: 6250 V _{PK} (Reinforced) ISO1042B: 4615 V _{PK} (Basic)	CSA 60950-1-07+A1+A2, IEC 60950-1 2 nd Ed.+A1+A2 and IEC 62368-1 2 nd Ed., for pollution degree 2, material group I ISO1042: 800 V _{RMS} reinforced isolation ISO1042B: 1060 V _{RMS} basic isolation ----- CSA 60601- 1:14 and IEC 60601-1 Ed. 3.1+A1, ISO1042: 2 MOPP (Means of Patient Protection) 250 V _{RMS} (354 V _{PK}) maximum working voltage	Single protection, 5000 V _{RMS}	Reinforced insulation, Altitude ≤ 5000 m, Tropical Climate, 700 V _{RMS} maximum working voltage	EN 61010-1:2010 /A1:2019 ISO1042: 600 V _{RMS} reinforced isolation ISO1042B: 1000 V _{RMS} basic isolation ----- EN 60950-1:2006/A2:2013 and EN 62368-1:2014 ISO1042: 800 V _{RMS} reinforced isolation ISO1042B: 1060 V _{RMS} basic isolation
Certificates: Reinforced: 40040142 Basic: 40047657	Master contract number: 220991	File number: E181974	Certificate: CQC15001121716 (DW-16) CQC18001199096 (DWV-8)	Client ID number: 77311

6.9 Safety Limiting Values

Safety limiting⁽¹⁾ intends to minimize potential damage to the isolation barrier upon failure of input or output circuitry.

PARAMETER		TEST CONDITIONS	MIN	TYP	MAX	UNIT
DW-16 PACKAGE						
I _S	Safety input, output, or supply current	R _{θJA} = 69.9°C/W, V _I = 5.5 V, T _J = 150°C, T _A = 25°C, see Figure 1			325	mA
		R _{θJA} = 69.9°C/W, V _I = 3.6 V, T _J = 150°C, T _A = 25°C, see Figure 1			496	
		R _{θJA} = 69.9°C/W, V _I = 2.75 V, T _J = 150°C, T _A = 25°C, see Figure 1			650	
		R _{θJA} = 69.9°C/W, V _I = 1.89 V, T _J = 150°C, T _A = 25°C, see Figure 1			946	
P _S	Safety input, output, or total power	R _{θJA} = 69.9°C/W, T _J = 150°C, T _A = 25°C, see Figure 3			1788	mW
T _S	Maximum safety temperature				150	°C
DWV-8 PACKAGE						
I _S	Safety input, output, or supply current	R _{θJA} = 100°C/W, V _I = 5.5 V, T _J = 150°C, T _A = 25°C, see Figure 2			227	mA
		R _{θJA} = 100°C/W, V _I = 3.6 V, T _J = 150°C, T _A = 25°C, see Figure 2			347	
		R _{θJA} = 100°C/W, V _I = 2.75 V, T _J = 150°C, T _A = 25°C, see Figure 2			454	
		R _{θJA} = 100°C/W, V _I = 1.89 V, T _J = 150°C, T _A = 25°C, see Figure 2			661	
P _S	Safety input, output, or total power	R _{θJA} = 100°C/W, T _J = 150°C, T _A = 25°C, see Figure 4			1250	mW
T _S	Maximum safety temperature				150	°C

(1) The maximum safety temperature, T_S, has the same value as the maximum junction temperature, T_J, specified for the device. The I_S and P_S parameters represent the safety current and safety power respectively. The maximum limits of I_S and P_S should not be exceeded. These limits vary with the ambient temperature, T_A.

The junction-to-air thermal resistance, R_{θJA}, in the table is that of a device installed on a high-K test board for leaded surface-mount packages. Use these equations to calculate the value for each parameter:

$$T_J = T_A + R_{\theta JA} \times P, \text{ where } P \text{ is the power dissipated in the device.}$$

$$T_{J(max)} = T_S = T_A + R_{\theta JA} \times P_S, \text{ where } T_{J(max)} \text{ is the maximum allowed junction temperature.}$$

$$P_S = I_S \times V_I, \text{ where } V_I \text{ is the maximum input voltage.}$$

6.10 Electrical Characteristics - DC Specification

Over recommended operating conditions (unless otherwise noted)

PARAMETER		TEST CONDITIONS	MIN	TYP	MAX	UNIT
SUPPLY CHARACTERISTICS						
I _{CC1}	Supply current Side 1	V _{CC1} = 1.71 V to 1.89 V, TXD = 0 V, bus dominant		2.3	3.5	mA
		V _{CC1} = 2.25 V to 5.5 V, TXD = 0 V, bus dominant		2.4	3.5	mA
		V _{CC1} = 1.71 V to 1.89 V, TXD = V _{CC1} , bus recessive		1.2	2.1	mA
		V _{CC1} = 2.25 V to 5.5 V, TXD = V _{CC1} , bus recessive		1.3	2.1	mA
I _{CC2}	Supply current Side 2	TXD = 0 V, bus dominant, R _L = 60 Ω		43	73.4	mA
		TXD = V _{CC1} , bus recessive, R _L = 60 Ω		2.8	4.1	mA
UV _{VCC1}	Rising under voltage detection, Side 1				1.7	V
UV _{VCC1}	Falling under voltage detection, Side 1		1.0			V
V _{HYS(UVC C1)}	Hysteresis voltage on V _{CC1} undervoltage lock-out		75	125		mV
UV _{VCC2}	Rising under voltage detection, side 2			4.2	4.45	V
UV _{VCC2}	Falling under voltage detection, side 2		3.8	4.0	4.25	V
V _{HYS(UVC C2)}	Hysteresis voltage on V _{CC2} undervoltage lock-out			200		mV
TXD TERMINAL						
V _{IH}	High level input voltage		0.7×V _{CC1}			V
V _{IL}	Low level input voltage		0.3×V _{CC1}			V
I _{IH}	High level input leakage current	TXD = V _{CC1}			1	μA
I _{IL}	Low level input leakage current	TXD = 0V	-20			μA
C _I	Input capacitance	V _{IN} = 0.4 x sin(2 x π x 1E+6 x t) + 2.5 V, V _{CC1} = 5 V		3		pF
RXD TERMINAL						
V _{OH} - V _{CC1}	High level output voltage	See Figure 18, I _O = -4 mA for 4.5 V ≤ V _{CC1} ≤ 5.5 V	-0.4	-0.2		V
		See Figure 18, I _O = -2 mA for 3.0 V ≤ V _{CC1} ≤ 3.6 V	-0.2	-0.07		V
		See Figure 18, I _O = -1 mA for 2.25 V ≤ V _{CC1} ≤ 2.75 V	-0.1	-0.04		V
		See Figure 18, I _O = -1 mA for 1.71 V ≤ V _{CC1} ≤ 1.89 V	-0.1	-0.045		V
V _{OL}	Low level output voltage	See Figure 18, I _O = 4 mA for 4.5 V ≤ V _{CC1} ≤ 5.5 V		0.2	0.4	V
		See Figure 18, I _O = 2 mA for 3.0 V ≤ V _{CC1} ≤ 3.6 V		0.07	0.2	V
		See Figure 18, I _O = 1 mA for 2.25 V ≤ V _{CC1} ≤ 2.75 V		0.035	0.1	V
		See Figure 18, I _O = 1 mA for 1.71 V ≤ V _{CC1} ≤ 1.89 V		0.04	0.1	V
DRIVER ELECTRICAL CHARACTERISTICS						
V _{O(DOM)}	Bus output voltage(Dominant), CANH	See Figure 15 and Figure 16, TXD = 0 V, 50 Ω ≤ R _L ≤ 65 Ω, C _L = open	2.75		4.5	V
	Bus output voltage(Dominant), CANL	See Figure 15 and Figure 16, TXD = 0 V, 50 Ω ≤ R _L ≤ 65 Ω, C _L = open	0.5		2.25	V
V _{O(REC)}	Bus output voltage(recessive), CANH and CANL	See Figure 15 and Figure 16, TXD = V _{CC1} , R _L = open	2.0	0.5 x V _{CC2}	3.0	V

Electrical Characteristics - DC Specification (continued)

Over recommended operating conditions (unless otherwise noted)

PARAMETER		TEST CONDITIONS	MIN	TYP	MAX	UNIT
V _{OD(DOM)}	Differential output voltage, CANH-CANL (dominant)	See Figure 15 and Figure 16, TXD = 0 V, 45 Ω ≤ R _L ≤ 50 Ω, C _L = open	1.4		3.0	V
	Differential output voltage, CANH-CANL (dominant)	See Figure 15 and Figure 16, TXD = 0 V, 50 Ω ≤ R _L ≤ 65 Ω, C _L = open	1.5		3.0	V
	Differential output voltage, CANH-CANL (dominant)	See Figure 15 and Figure 16, TXD = 0 V, R _L = 2240 Ω, C _L = open	1.5		5.0	V
V _{OD(REC)}	Differential output voltage, CANH-CANL (recessive)	See Figure 15 and Figure 16, TXD = V _{CC1} , R _L = 60 Ω, C _L = open	-120.0		12.0	mV
	Differential output voltage, CANH-CANL (recessive)	See Figure 15 and Figure 16, TXD = V _{CC1} , R _L = open, C _L = open	-50.0		50.0	mV
V _{SYM_DC}	DC Output symmetry (V _{CC2} - V _{O(CANH)} - V _{O(CANL)})	See Figure 15 and Figure 16, R _L = 60 Ω, C _L = open, TXD = V _{CC1} or 0 V	-400.0		400.0	mV
I _{SO(SS_DO M)}	Short circuit current steady state output current, dominant	See Figure 23, V _{CANH} = -5 V to 40 V, CANL = open, TXD = 0 V	-100.0			mA
		See Figure 23, V _{CANL} = -5 V to 40 V, CANH = open, TXD = 0 V			100.0	mA
I _{SO(SS_RE C)}	Short circuit current steady state output current, recessive	See Figure 23, -27 V ≤ V _{BUS} ≤ 32 V, V _{BUS} = CANH = CANL, TXD = V _{CC1}	-5.0		5.0	mA
RECEIVER ELECTRICAL CHARACTERISTICS						
V _{IT}	Differential input threshold voltage	See Figure 18 and Table 1, V _{CM} ≤ 20 V	500.0		900.0	mV
	Differential input threshold voltage	See Figure 18 and Table 1, 20 V ≤ V _{CM} ≤ 30 V	400.0		1000.0	
V _{HYS}	Hysteresis voltage for differential input threshold	See Figure 18 and Table 1		120		
V _{CM}	Input common mode range	See Figure 18 and Table 1	-30.0		30.0	V
I _{OFF(LKG)}	Power-off bus input leakage current	CANH = CANL = 5 V, V _{CC2} to GND via 0 Ω and 47 kΩ resistor			4.8	μA
C _I	Input capacitance to ground (CANH or CANL)	TXD = V _{CC1}		24.0	30	pF
C _{ID}	Differential input capacitance (CANH-CANL)	TXD = V _{CC1}		12.0	15	pF
R _{ID}	Differential input resistance	TXD = V _{CC1} ; -30 V ≤ V _{CM} ≤ +30 V	30.0		80.0	kΩ
R _{IN}	Input resistance (CANH or CANL)	TXD = V _{CC1} ; -30 V ≤ V _{CM} ≤ +30 V	15.0		40.0	kΩ
R _{IN(M)}	Input resistance matching: (1 - R _{IN(CANH)} /R _{IN(CANL)}) × 100%	V _{CANH} = V _{CANL} = 5 V	-2.0		2.0	%
THERMAL SHUTDOWN						
T _{TSD}	Thermal shutdown temperature			170		°C
T _{TSD_HYS T}	Thermal shutdown hysteresis			5		°C

6.11 Switching Characteristics

Over recommended operating conditions (unless otherwise noted)

PARAMETER		TEST CONDITIONS	MIN	TYP	MAX	UNIT
DEVICE SWITCHING CHARACTERISTICS						
$t_{PROP(LO\ OP1)}$	Total loop delay, driver input TXD to receiver RXD, recessive to dominant	See Figure 20 , $R_L = 60\ \Omega$, $C_L = 100\ \text{pF}$, $C_{L(RXD)} = 15\ \text{pF}$; input rise/fall time (10% to 90%) on TXD = 1 ns; $1.71\ \text{V} \leq V_{CC1} \leq 1.89\ \text{V}$	70	125	198.0	ns
		See Figure 20 , $R_L = 60\ \Omega$, $C_L = 100\ \text{pF}$, $C_{L(RXD)} = 15\ \text{pF}$; input rise/fall time (10% to 90%) on TXD = 1 ns; $2.25\ \text{V} \leq V_{CC1} \leq 5.5\ \text{V}$	70	122	192.0	ns
$t_{PROP(LO\ OP2)}$	Total loop delay, driver input TXD to receiver RXD, dominant to recessive	See Figure 20 , $R_L = 60\ \Omega$, $C_L = 100\ \text{pF}$, $C_{L(RXD)} = 15\ \text{pF}$; input rise/fall time (10% to 90%) on TXD = 1 ns; $1.71\ \text{V} \leq V_{CC1} \leq 1.89\ \text{V}$	70	155	215.0	ns
		See Figure 20 , $R_L = 60\ \Omega$, $C_L = 100\ \text{pF}$, $C_{L(RXD)} = 15\ \text{pF}$; input rise/fall time (10% to 90%) on TXD = 1 ns; $2.25\ \text{V} \leq V_{CC1} \leq 5.5\ \text{V}$	70	152	215.0	ns
$t_{UV_RE_ENABLE}$	Re-enable time after Undervoltage event	Time for device to return to normal operation from V_{CC1} or V_{CC2} under voltage event			300.0	μs
CMTI	Common mode transient immunity	$V_{CM} = 1200\ V_{PK}$, See Figure 24	85	100		kV/ μs
DRIVER SWITCHING CHARACTERISTICS						
t_{pHR}	Propagation delay time, HIGH TXD to driver recessive	See Figure 17 , $R_L = 60\ \Omega$ and $C_L = 100\ \text{pF}$; input rise/fall time (10% to 90%) on TXD = 1 ns		76	120	ns
t_{pLD}	Propagation delay time, LOW TXD to driver dominant			61	120	
$t_{sk(p)}$	Pulse skew ($ t_{pHR} - t_{pLD} $)			14		
t_R	Differential output signal rise time			45		
t_F	Differential output signal fall time			45		
V_{SYM}	Output symmetry (dominant or recessive) ($V_{O(CANH)} + V_{O(CANL)}) / V_{CC2}$	See Figure 17 and Figure 31 , $R_{TERM} = 60\ \Omega$, $C_{SPLIT} = 4.7\ \text{nF}$, $C_L = \text{open}$, $R_L = \text{open}$, TXD = 250 kHz, 1 MHz	0.9		1.1	V/V
t_{TXD_DTO}	Dominant time out	See Figure 22 , $R_L = 60\ \Omega$ and $C_L = \text{open}$	1.2		3.8	ms
RECEIVER SWITCHING CHARACTERISTICS						
t_{pRH}	Propagation delay time, bus recessive input to RXD high output	See Figure 19 , $C_{L(RXD)} = 15\ \text{pF}$		75	130	ns
t_{pDL}	Propagation delay time, bus dominant input to RXD low output			63	130	ns
t_R	Output signal rise time(RXD)			1.4		ns
t_F	Output signal fall time(RXD)			1.8		ns
FD TIMING PARAMETERS						
$t_{BIT(BUS)}$	Bit time on CAN bus output pins with $t_{BIT(TXD)} = 500\ \text{ns}$	See Figure 21 , $R_L = 60\ \Omega$, $C_L = 100\ \text{pF}$, $C_{L(RXD)} = 15\ \text{pF}$; input rise/fall time (10% to 90%) on TXD = 1 ns	435.0		530.0	ns
	Bit time on CAN bus output pins with $t_{BIT(TXD)} = 200\ \text{ns}$	See Figure 21 , $R_L = 60\ \Omega$, $C_L = 100\ \text{pF}$, $C_{L(RXD)} = 15\ \text{pF}$; input rise/fall time (10% to 90%) on TXD = 1 ns	155.0		210.0	ns
$t_{BIT(RXD)}$	Bit time on RXD output pins with $t_{BIT(TXD)} = 500\ \text{ns}$	See Figure 21 , $R_L = 60\ \Omega$, $C_L = 100\ \text{pF}$, $C_{L(RXD)} = 15\ \text{pF}$; input rise/fall time (10% to 90%) on TXD = 1 ns	400		550.0	ns
	Bit time on RXD output pins with $t_{BIT(TXD)} = 200\ \text{ns}$	See Figure 21 , $R_L = 60\ \Omega$, $C_L = 100\ \text{pF}$, $C_{L(RXD)} = 15\ \text{pF}$; input rise/fall time (10% to 90%) on TXD = 1 ns	120.0		220.0	ns

Switching Characteristics (continued)

Over recommended operating conditions (unless otherwise noted)

PARAMETER		TEST CONDITIONS	MIN	TYP	MAX	UNIT
Δt_{REC}	Receiver timing symmetry with $t_{BIT(TXD)} = 500 \text{ ns}$	See Figure 21, $R_L = 60 \Omega$, $C_L = 100 \text{ pF}$, $C_{L(RXD)} = 15 \text{ pF}$; input rise/fall time (10% to 90%) on TXD = 1 ns; $\Delta t_{REC} = t_{BIT(RXD)} - t_{BIT(BUS)}$	-65.0		40.0	ns
	Receiver timing symmetry with $t_{BIT(TXD)} = 200 \text{ ns}$	See Figure 21, $R_L = 60 \Omega$, $C_L = 100 \text{ pF}$, $C_{L(RXD)} = 15 \text{ pF}$; input rise/fall time (10% to 90%) on TXD = 1 ns; $\Delta t_{REC} = t_{BIT(RXD)} - t_{BIT(BUS)}$	-45.0		15.0	ns

6.12 Insulation Characteristics Curves

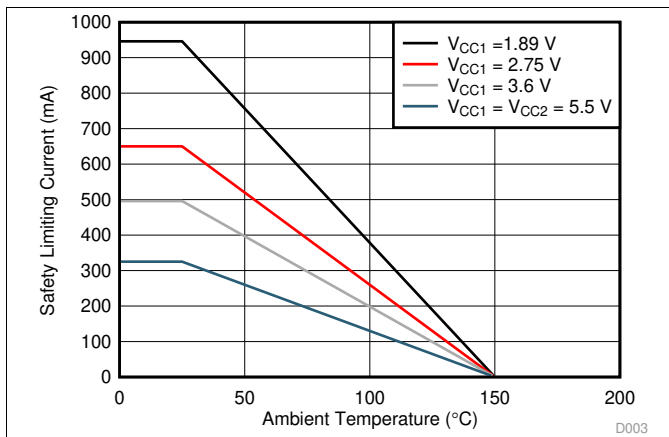


Figure 1. Thermal Derating Curve for Limiting Current per VDE for DW-16 Package

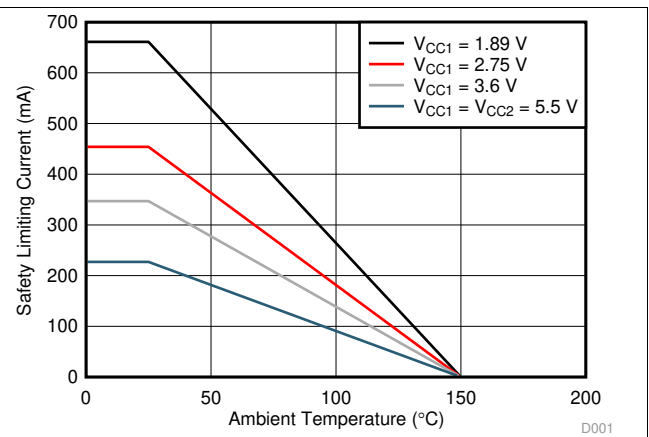


Figure 2. Thermal Derating Curve for Limiting Current per VDE for DWV-8 Package

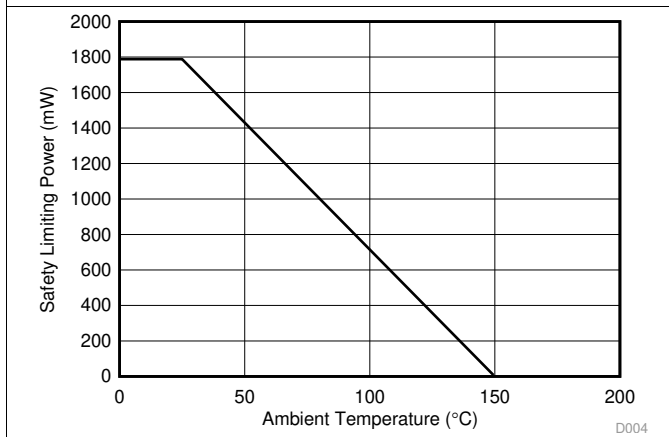


Figure 3. Thermal Derating Curve for Limiting Power per VDE for DW-16 Package

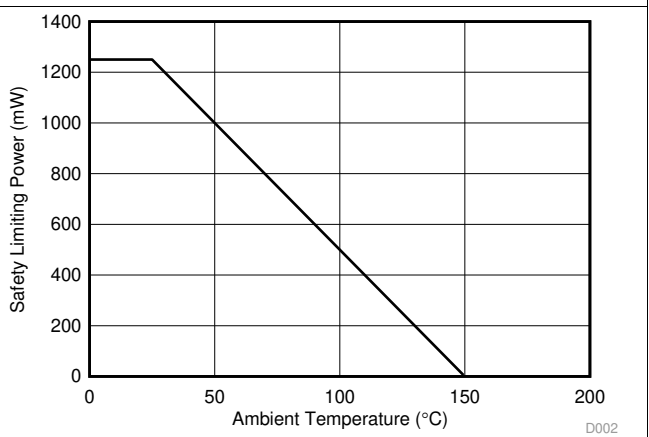


Figure 4. Thermal Derating Curve for Limiting Power per VDE for DWV-8 Package

6.13 Typical Characteristics

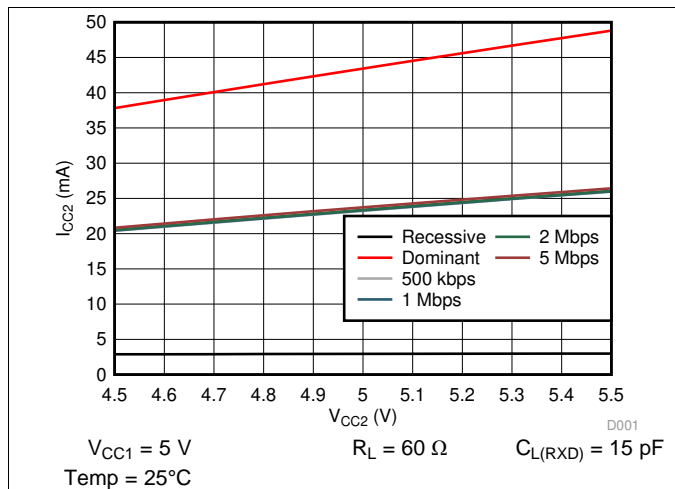


Figure 5. I_{CC2} vs V_{CC2} for Recessive, Dominant and Different CAN Datarates

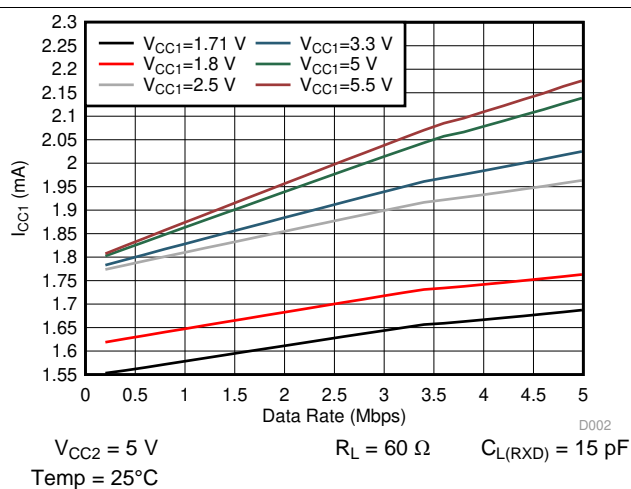


Figure 6. I_{CC1} vs Datarate

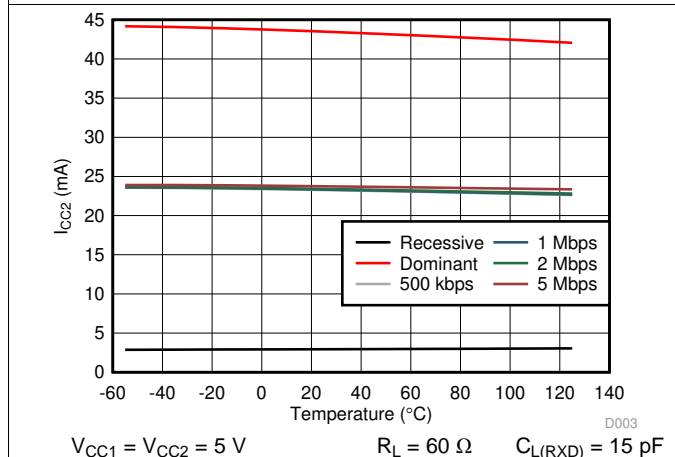


Figure 7. I_{CC2} vs Ambient Temperature for Recessive, Dominant and Different CAN Datarates

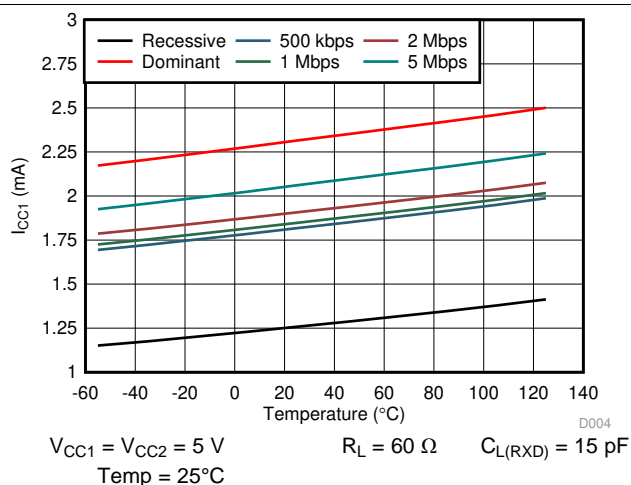


Figure 8. : I_{CC1} vs Ambient Temperature for Recessive, Dominant and Different CAN Datarates.

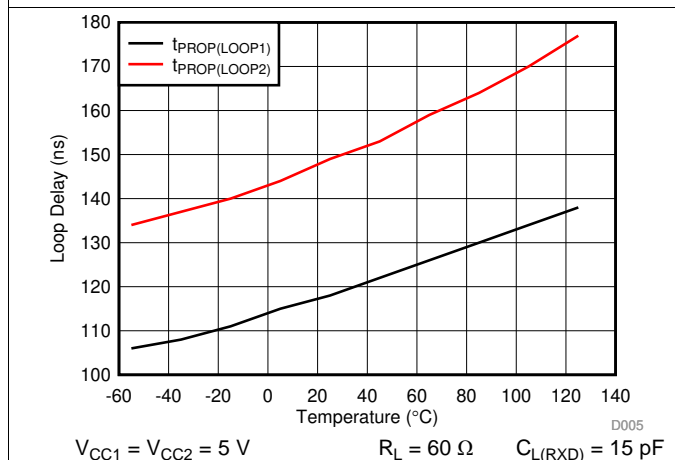


Figure 9. Loop Delay vs Ambient Temperature

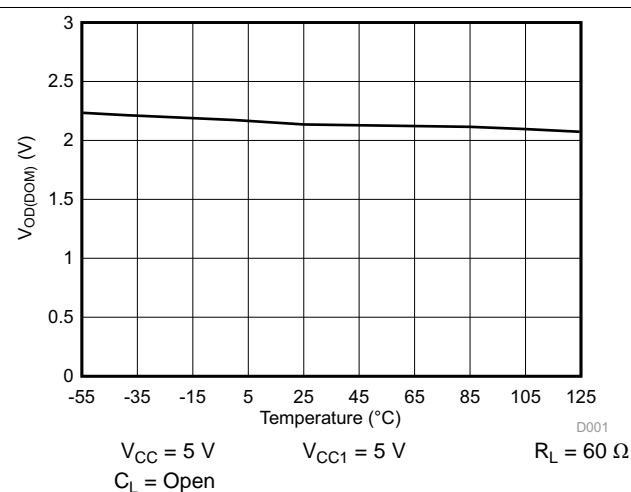
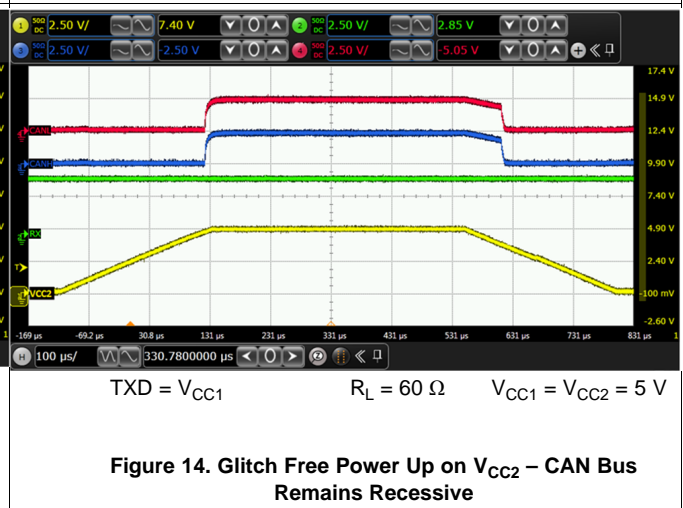
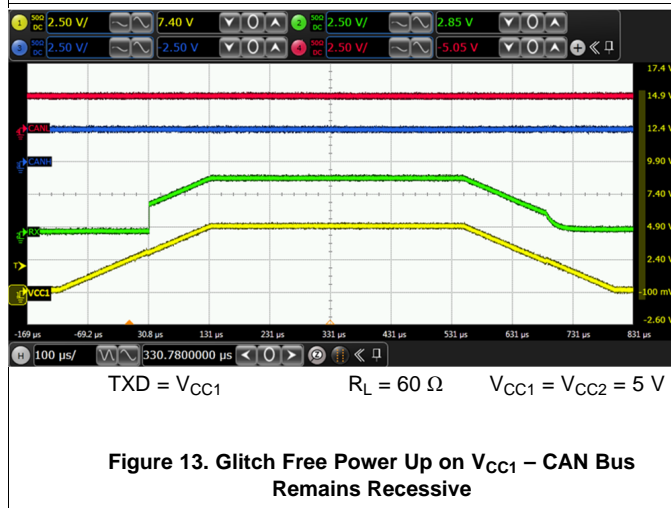
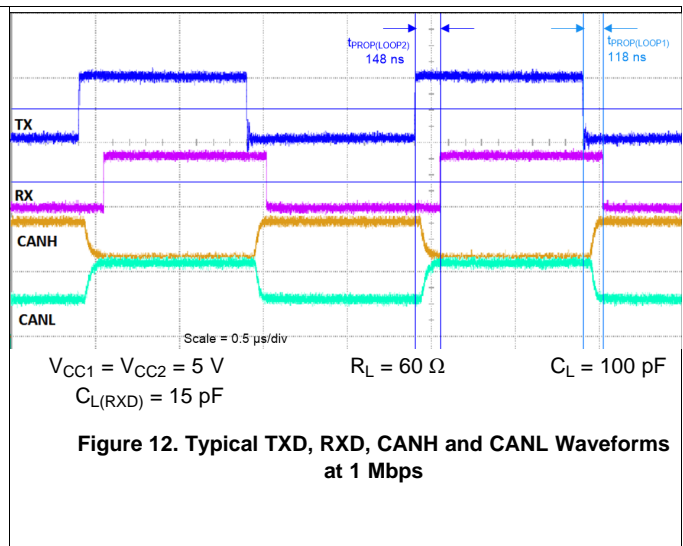
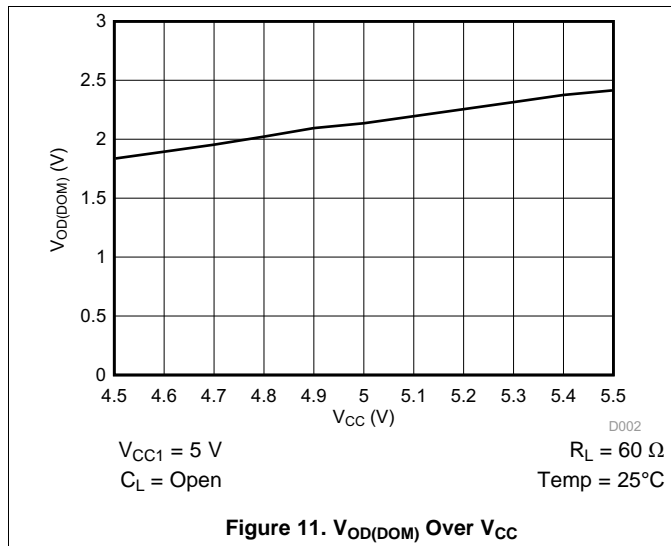


Figure 10. $V_{OD(DOM)}$ Over Temperature

Typical Characteristics (continued)



7 Parameter Measurement Information

7.1 Test Circuits

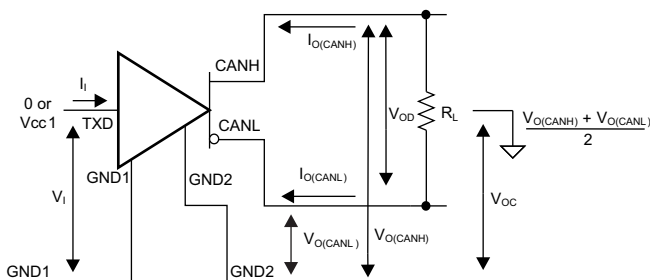


Figure 15. Driver Voltage, Current and Test Definitions

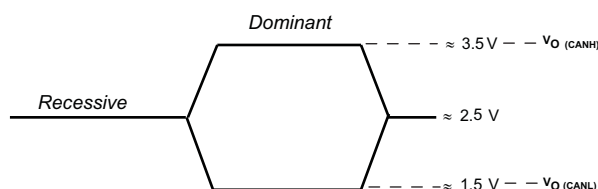
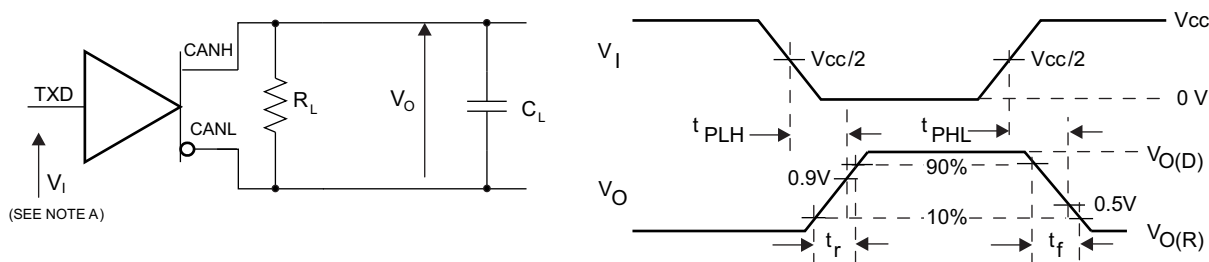


Figure 16. Bus Logic State Voltage Definitions



- A. The input pulse is supplied by a generator having the following characteristics: PRR \leq 125 kHz, 50% duty cycle, $t_r \leq$ 6 ns, $t_f \leq$ 6 ns, $Z_0 = 50 \Omega$.

Figure 17. Driver Test Circuit and Voltage Waveforms

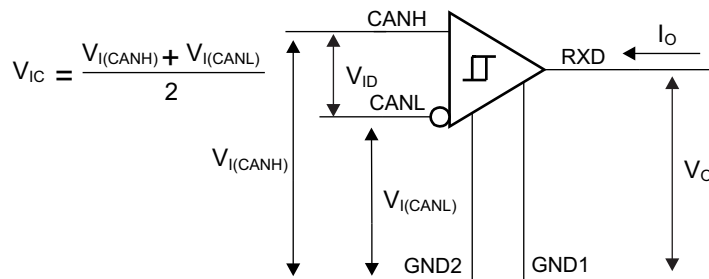
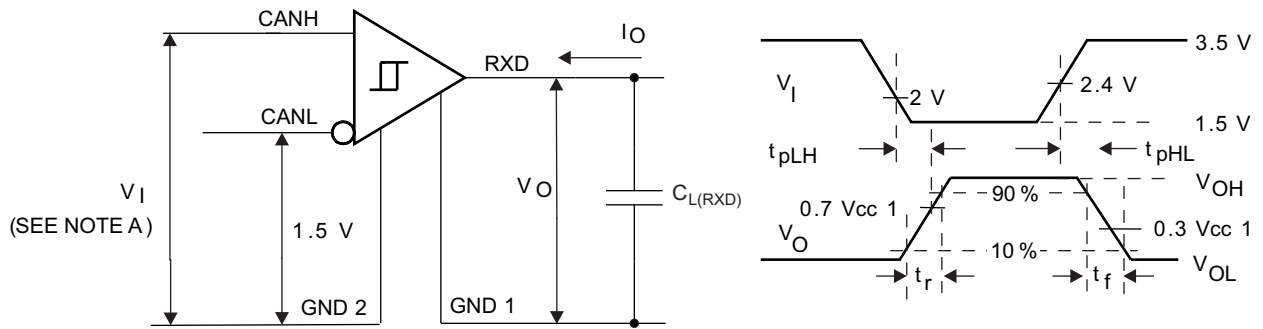


Figure 18. Receiver Voltage and Current Definitions

Test Circuits (continued)



A. The input pulse is supplied by a generator having the following characteristics: PRR ≤ 125 kHz, 50% duty cycle, $t_r \leq 6$ ns, $t_f \leq 6$ ns, $Z_O = 50 \Omega$.

Figure 19. Receiver Test Circuit and Voltage Waveforms

Table 1. Receiver Differential Input Voltage Threshold Test

INPUT			OUTPUT	
V_{CANH}	V_{CANL}	$ V_{ID} $	RXD	
-29.5 V	-30.5 V	1000 mV	L	V_{OL}
30.5 V	29.5 V	1000 mV	L	
-19.55 V	-20.45 V	900 mV	L	
20.45 V	19.55 V	900 mV	L	
-19.75 V	-20.25 V	500 mV	H	V_{OH}
20.25 V	19.75 V	500 mV	H	
-29.8 V	-30.2 V	400 mV	H	
30.2 V	29.8 V	400 mV	H	
Open	Open	X	H	

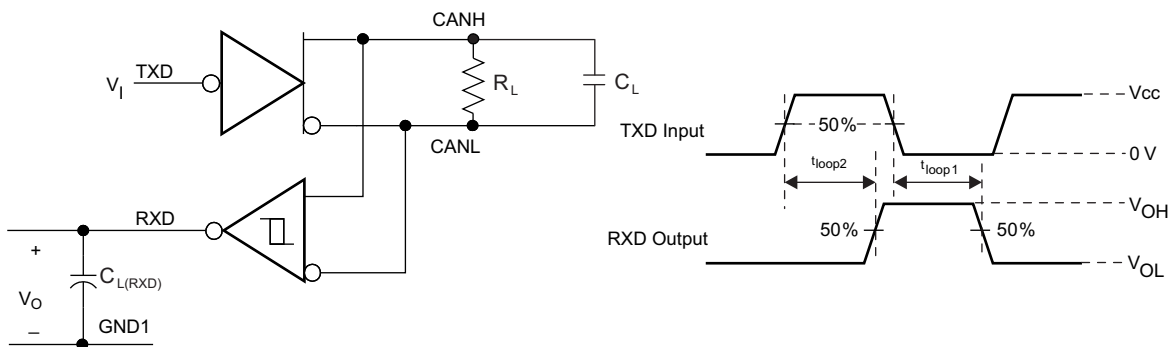


Figure 20. t_{LOOP} Test Circuit and Voltage Waveforms

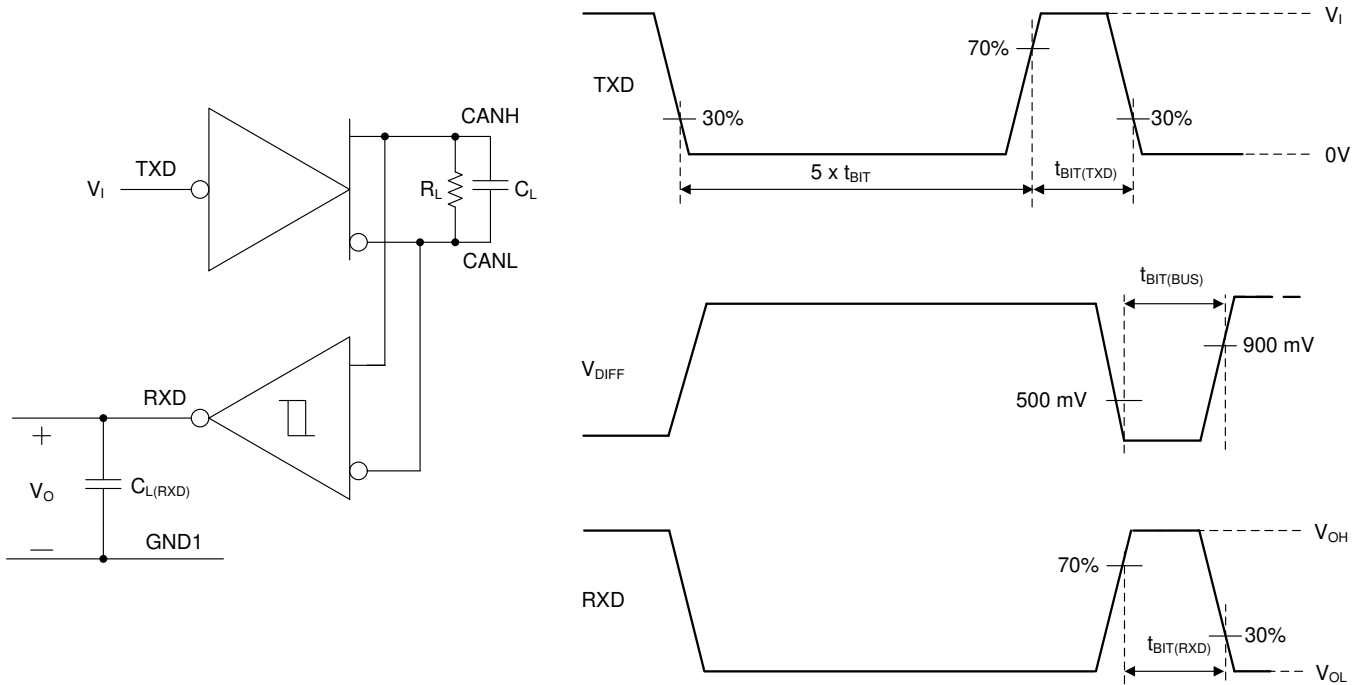
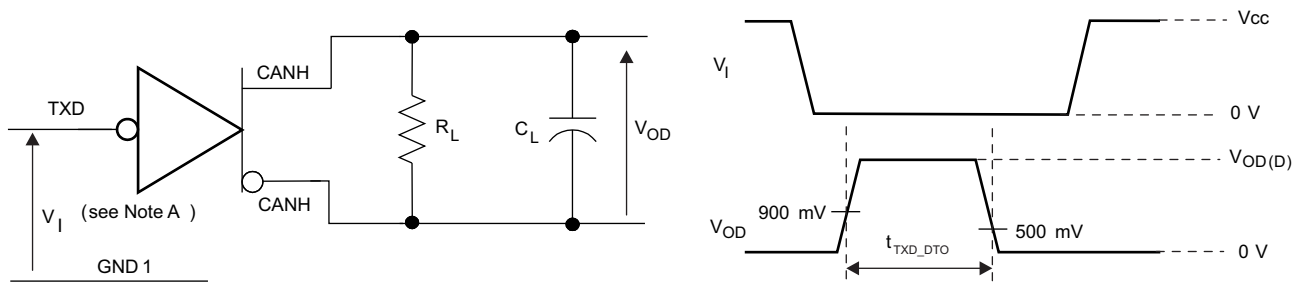


Figure 21. CAN FD Timing Parameter Measurement



A. The input pulse is supplied by a generator having the following characteristics: $t_r \leq 6$ ns, $t_f \leq 6$ ns, $Z_0 = 50 \Omega$.

Figure 22. Dominant Time-out Test Circuit and Voltage Waveforms

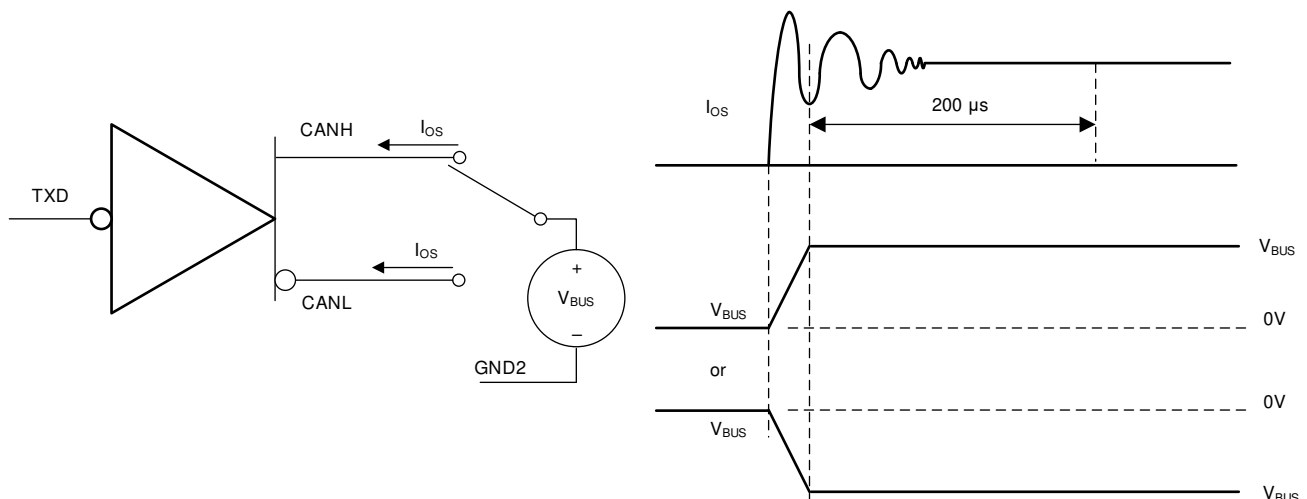


Figure 23. Driver Short-Circuit Current Test Circuit and Waveforms

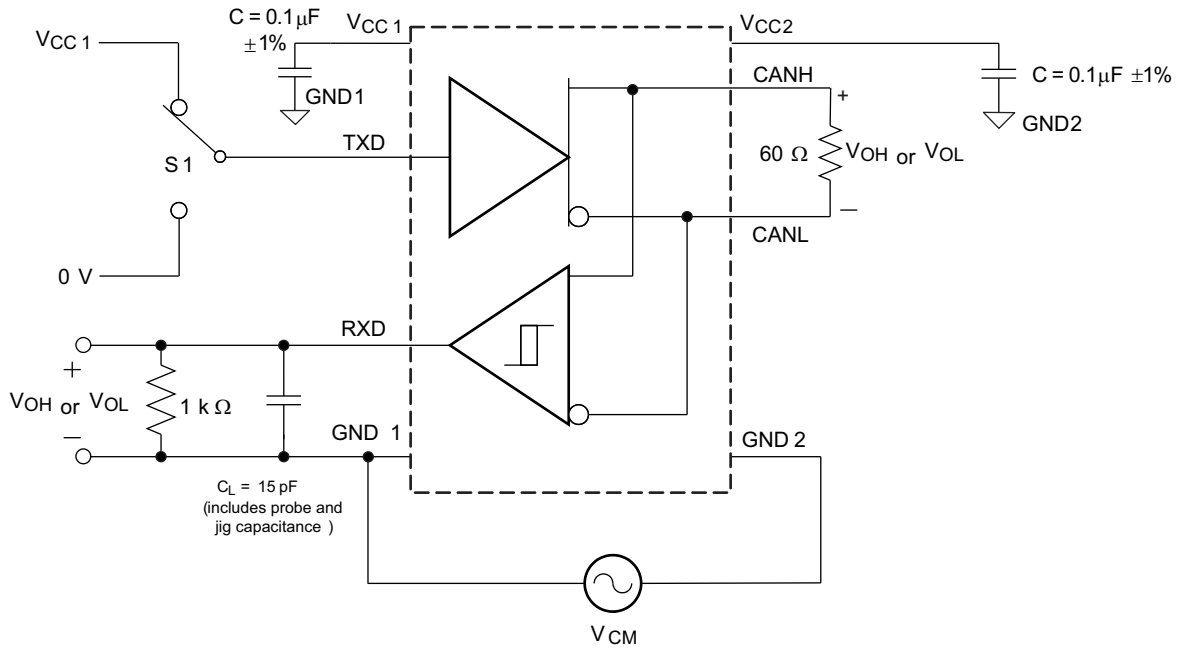


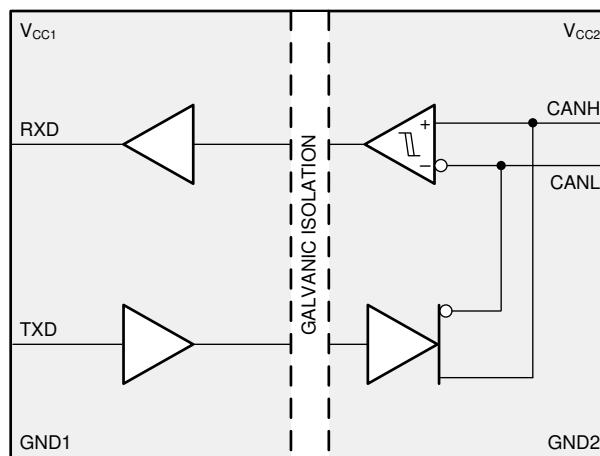
Figure 24. Common-Mode Transient Immunity Test Circuit

8 Detailed Description

8.1 Overview

The ISO1042 device is a digitally isolated CAN transceiver that offers ± 70 -V DC bus fault protection and ± 30 -V common-mode voltage range. The device supports up to 5-Mbps data rate in CAN FD mode allowing much faster transfer of payload compared to classic CAN. The ISO1042 device has an isolation withstand voltage of $5000 V_{RMS}$ and is available in basic and reinforced isolation with a surge test voltage of $6 kV_{PK}$ and $10 kV_{PK}$ respectively. The device can operate from 1.8-V, 2.5-V, 3.3-V, and 5-V supplies on side 1 and a 5-V supply on side 2. This supply range is of particular advantage for applications operating in harsh industrial environments because the low voltage on side 1 enables the connection to low-voltage microcontrollers for power conservation, whereas the 5 V on side 2 maintains a high signal-to-noise ratio of the bus signals.

8.2 Functional Block Diagram



8.3 Feature Description

8.3.1 CAN Bus States

The CAN bus has two states during operation: *dominant* and *recessive*. A dominant bus state, equivalent to logic low, is when the bus is driven differentially by a driver. A recessive bus state is when the bus is biased to a common mode of $V_{CC} / 2$ through the high-resistance internal input resistors of the receiver, equivalent to a logic high. The host microprocessor of the CAN node uses the TXD pin to drive the bus and receives data from the bus on the RXD pin. See [Figure 25](#) and [Figure 26](#).

Feature Description (continued)

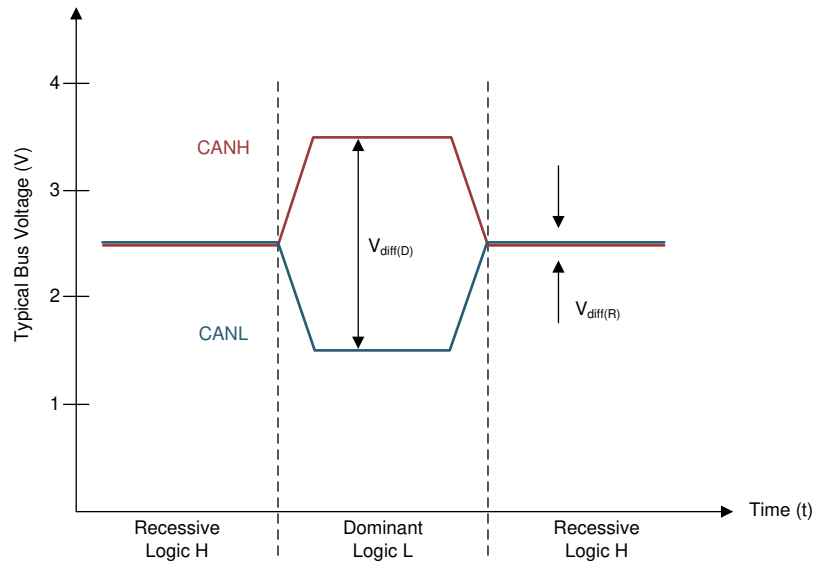


Figure 25. Bus States (Physical Bit Representation)

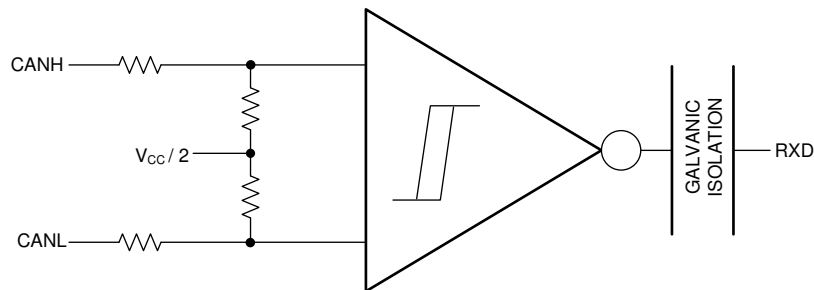


Figure 26. Simplified Recessive Common Mode Bias and Receiver

8.3.2 Digital Inputs and Outputs: TXD (Input) and RXD (Output)

The V_{CC1} supply for the isolated digital input and output side of the device can be supplied by 1.8-V, 2.5-V, 3.3-V, and 5-V supplies and therefore the digital inputs and outputs are 1.8-V, 2.5-V, 3.3-V, and 5-V compatible.

NOTE

The TXD pin is very weakly internally pulled up to V_{CC1} . An external pullup resistor should be used to make sure that the TXD pin is biased to recessive (high) level to avoid issues on the bus if the microprocessor does not control the pin and the TXD pin floats. The TXD pullup strength and CAN bit timing require special consideration when the device is used with an open-drain TXD output on the CAN controller of the microprocessor. An adequate external pullup resistor must be used to make sure that the TXD output of the microprocessor maintains adequate bit timing input to the input on the transceiver.

Feature Description (continued)

8.3.3 Protection Features

8.3.3.1 TXD Dominant Timeout (DTO)

The TXD DTO circuit prevents the transceiver from blocking network communication in the event of a hardware or software failure where the TXD pin is held dominant longer than the timeout period, t_{TXD_DTO} . The DTO circuit timer starts on a falling edge on the TXD pin. The DTO circuit disables the CAN bus driver if no rising edge occurs before the timeout period expires, which frees the bus for communication between other nodes on the network. The CAN driver is activated again when a recessive signal occurs on the TXD pin, clearing the TXD DTO condition. The receiver and RXD pin still reflect activity on the CAN bus, and the bus terminals are biased to the recessive level during a TXD dominant timeout.

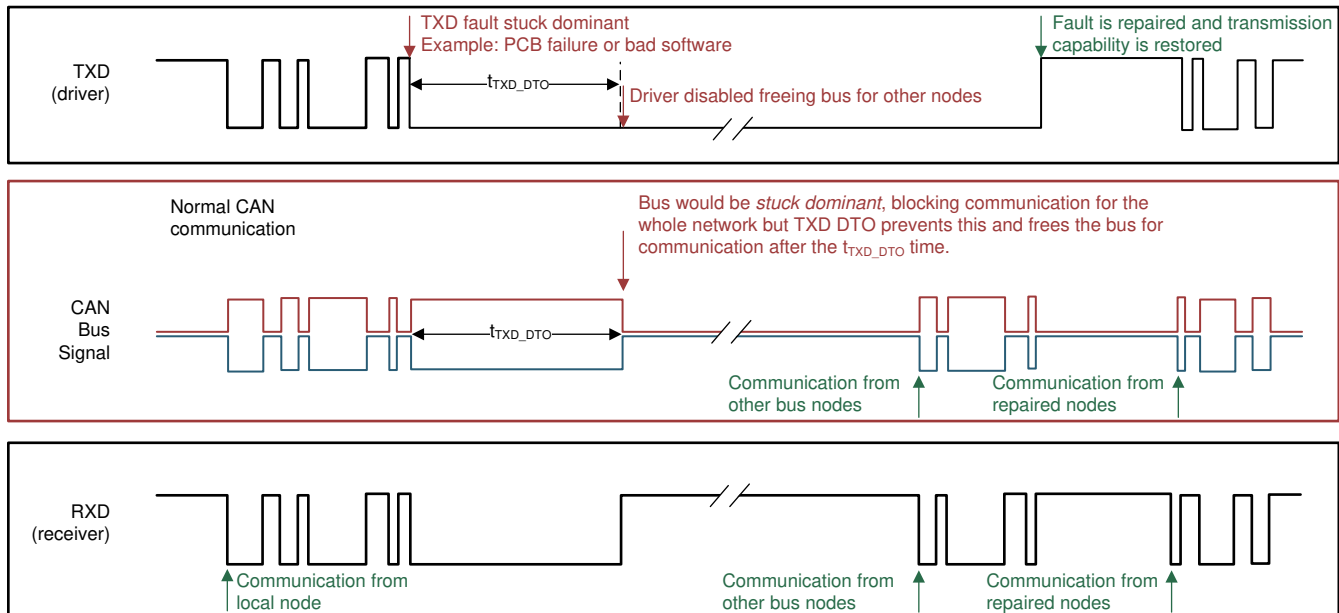


Figure 27. Example Timing Diagram for TXD DTO

NOTE

The minimum dominant TXD time (t_{TXD_DTO}) allowed by the TXD DTO circuit limits the minimum possible transmitted data rate of the device. The CAN protocol allows a maximum of eleven successive dominant bits (on TXD) for the worst case, where five successive dominant bits are followed immediately by an error frame. This, along with the t_{TXD_DTO} minimum, limits the minimum data rate. Calculate the minimum transmitted data rate with [Equation 1](#).

$$\text{Minimum Data Rate} = 11 / t_{TXD_DTO}$$

(1)

8.3.3.2 Thermal Shutdown (TSD)

If the junction temperature of the device exceeds the thermal shutdown threshold (T_{TSD}), the device turns off the CAN driver circuits, blocking the TXD-to-bus transmission path. The CAN bus terminals are biased to the recessive level during a thermal shutdown, and the receiver-to-RXD path remains operational. The shutdown condition is cleared when the junction temperature drops at least the thermal shutdown hysteresis temperature (T_{TSD_HYST}) below the thermal shutdown temperature (T_{TSD}) of the device.

Feature Description (continued)

8.3.3.3 Undervoltage Lockout and Default State

The supply pins have undervoltage detection that places the device in protected or default mode which protects the bus during an undervoltage event on the V_{CC1} or V_{CC2} supply pins. If the bus-side power supply, V_{CC2} , is less than about 4 V, the power shutdown circuits in the ISO1042 device disable the transceiver to prevent false transmissions because of an unstable supply. If the V_{CC1} supply is still active when this occurs, the receiver output (RXD) goes to a default HIGH (recessive) value. [Table 2](#) summarizes the undervoltage lockout and fail-safe behavior.

Table 2. Undervoltage Lockout and Default State

V_{CC1}	V_{CC2}	DEVICE STATE	BUS OUTPUT	RXD
$> UV_{VCC1}$	$> UV_{VCC2}$	Functional	Per Device State and TXD	Mirrors Bus
$< UV_{VCC1}$	$> UV_{VCC2}$	Protected	Recessive	Undetermined
$> UV_{VCC1}$	$< UV_{VCC2}$	Protected	High Impedance	Recessive (Default High)

NOTE

After an undervoltage condition is cleared and the supplies have returned to valid levels, the device typically resumes normal operation in 300 μ s.

8.3.3.4 Floating Pins

Pullup and pulldown resistors should be used on critical pins to place the device into known states if the pins float. The TXD pin should be pulled up through a resistor to the V_{CC1} pin to force a recessive input level if the microprocessor output to the pin floats.

8.3.3.5 Unpowered Device

The device is designed to be *ideal passive* or *no load* to the CAN bus if it is unpowered. The bus pins (CANH, CANL) have extremely low leakage currents when the device is unpowered to avoid loading down the bus which is critical if some nodes of the network are unpowered while the rest of the of network remains in operation.

8.3.3.6 CAN Bus Short Circuit Current Limiting

The device has two protection features that limit the short circuit current when a CAN bus line has a short-circuit fault condition. The first protection feature is driver current limiting (both dominant and recessive states) and the second feature is TXD dominant state time out to prevent permanent higher short circuit current of the dominant state during a system fault. During CAN communication the bus switches between dominant and recessive states, therefore the short circuit current may be viewed either as the instantaneous current during each bus state or as an average current of the two states. For system current (power supply) and power considerations in the termination resistors and common-mode choke ratings, use the average short circuit current. Determine the ratio of dominant and recessive bits by the data in the CAN frame plus the following factors of the protocol and PHY that force either recessive or dominant at certain times:

- Control fields with set bits
- Bit stuffing
- Interframe space
- TXD dominant time out (fault case limiting)

These factors ensure a minimum recessive amount of time on the bus even if the data field contains a high percentage of dominant bits. The short circuit current of the bus depends on the ratio of recessive to dominant bits and their respective short circuit currents. Use [Equation 2](#) to calculate the average short circuit current.

$$I_{OS(AVG)} = \%Transmit \times [(\%REC_Bits \times I_{OS(SS_REC)}) + (\%DOM_Bits \times I_{OS(SS_DOM)})] + [\%Receive \times I_{OS(SS_REC)}]$$

where

- $I_{OS(AVG)}$ is the average short circuit current
- $\%Transmit$ is the percentage the node is transmitting CAN messages
- $\%Receive$ is the percentage the node is receiving CAN messages

- %REC_Bits is the percentage of recessive bits in the transmitted CAN messages
- %DOM_Bits is the percentage of dominant bits in the transmitted CAN messages
- $I_{OS(SS)_REC}$ is the recessive steady state short circuit current
- $I_{OS(SS)_DOM}$ is the dominant steady state short circuit current

(2)

NOTE

Consider the short circuit current and possible fault cases of the network when sizing the power ratings of the termination resistance and other network components.

8.4 Device Functional Modes

Table 3 and Table 4 list the driver and receiver functions. Table 5 lists the functional modes for the ISO1042 device.

Table 3. Driver Function Table

INPUT TXD ⁽¹⁾	OUTPUTS		DRIVEN BUS STATE
	CANH ⁽¹⁾	CANL ⁽¹⁾	
L	H	L	Dominant
H	Z	Z	Recessive

- (1) H = high level, L = low level, Z = common mode (recessive) bias to $V_{CC} / 2$. See Figure 25 and Figure 26 for bus state and common mode bias information.

Table 4. Receiver Function Table

DEVICE MODE	CAN DIFFERENTIAL INPUTS $V_{ID} = V_{CANH} - V_{CANL}$ ⁽¹⁾	BUS STATE	RXD PIN ⁽²⁾
Normal	$V_{ID} \geq V_{IT(MAX)}$	Dominant	L
	$V_{IT(MIN)} < V_{ID} < V_{IT(MAX)}$?	?
	$V_{ID} \leq V_{IT(MIN)}$	Recessive	H
	Open ($V_{ID} \approx 0$ V)	Open	H

- (1) See Receiver Electrical Characteristics section for input thresholds.
(2) H = high level, L = low level, ? = indeterminate.

Table 5. Function Table⁽¹⁾

DRIVER			RECEIVER			
INPUTS	OUTPUTS		BUS STATE	DIFFERENTIAL INPUTS $V_{ID} = CANH - CANL$ ⁽²⁾	OUTPUT RXD	BUS STATE
TXD	CANH	CANL				
L ⁽³⁾	H	L	DOMINANT	$V_{ID} \geq V_{IT(MAX)}$	L	DOMINANT
H	Z	Z	RECESSIVE	$V_{IT(MIN)} < V_{ID} < V_{IT(MAX)}$?	?
Open	Z	Z	RECESSIVE	$V_{ID} \leq V_{IT(MIN)}$	H	RECESSIVE
X	Z	Z	RECESSIVE	Open ($V_{ID} \approx 0$ V)	H	RECESSIVE

- (1) H = high level; L = low level; X = irrelevant; ? = indeterminate; Z = high impedance
(2) See Receiver Electrical Characteristics section for input thresholds.
(3) Logic low pulses to prevent dominant time-out.

9 Application and Implementation

NOTE

Information in the following applications sections is not part of the TI component specification, and TI does not warrant its accuracy or completeness. TI's customers are responsible for determining suitability of components for their purposes. Customers should validate and test their design implementation to confirm system functionality.

9.1 Application Information

The ISO1042 device can be used with other components from Texas Instruments such as a microcontroller, a transformer driver, and a linear voltage regulator to form a fully isolated CAN interface.

9.2 Typical Application

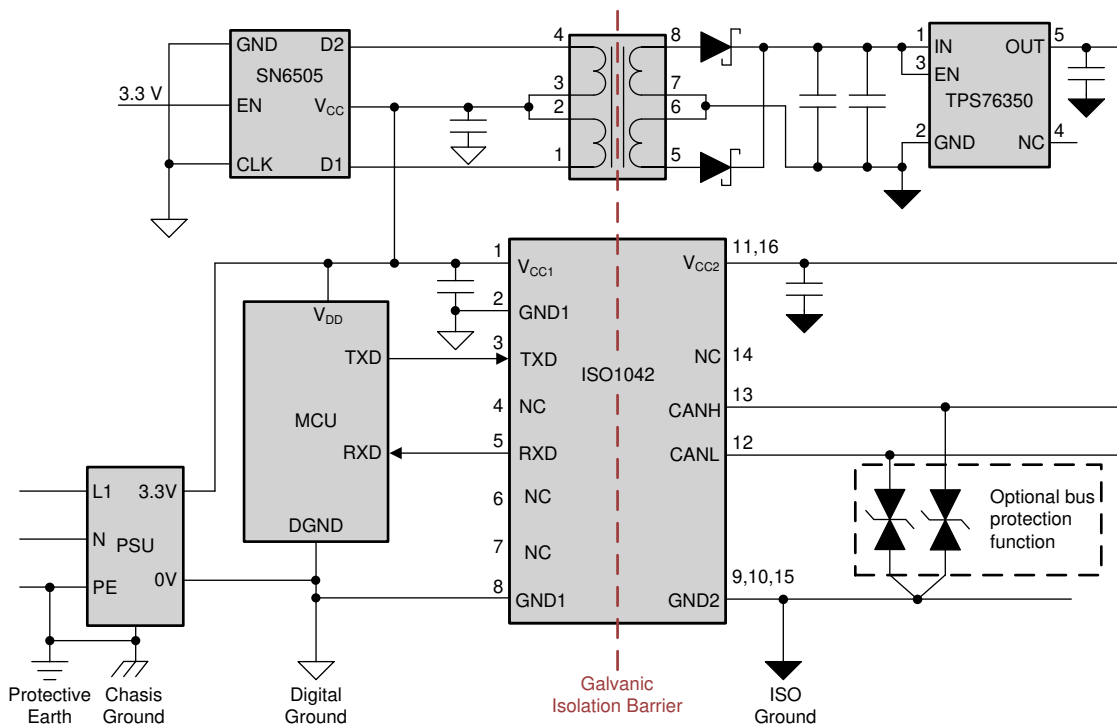


Figure 28. Application Circuit With ISO1042 in 16-SOIC Package

Typical Application (continued)

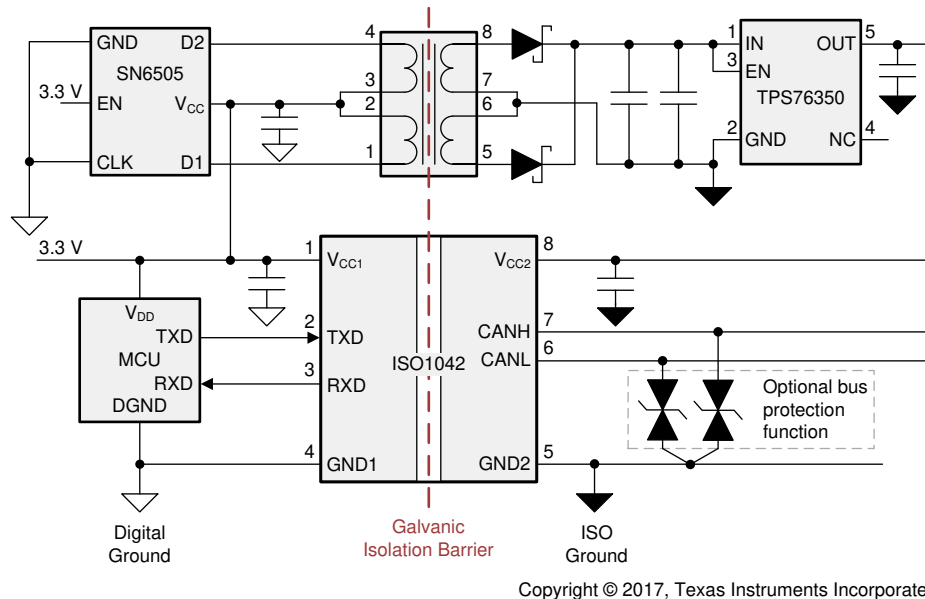


Figure 29. Application Circuit With ISO1042 in 8-SOIC Package

9.2.1 Design Requirements

Unlike an optocoupler-based solution, which requires several external components to improve performance, provide bias, or limit current, the ISO1042 device only requires external bypass capacitors to operate.

9.2.2 Detailed Design Procedure

9.2.2.1 Bus Loading, Length and Number of Nodes

The ISO 11898-2 Standard specifies a maximum bus length of 40 m and maximum stub length of 0.3 m. However, with careful design, users can have longer cables, longer stub lengths, and many more nodes to a bus. A large number of nodes requires transceivers with high input impedance such as the ISO1042 transceivers.

Many CAN organizations and standards have scaled the use of CAN for applications outside the original ISO 11898-2 Standard. These organizations and standards have made system-level trade-offs for data rate, cable length, and parasitic loading of the bus. Examples of some of these specifications are ARINC825, CANopen, DeviceNet, and NMEA2000.

The ISO1042 device is specified to meet the 1.5-V requirement with a 50-Ω load, incorporating the worst case including parallel transceivers. The differential input resistance of the ISO1042 device is a minimum of 30 kΩ. If 100 ISO1042 transceivers are in parallel on a bus, this requirement is equivalent to a 300-Ω differential load worst case. That transceiver load of 300 Ω in parallel with the 60 Ω gives an equivalent loading of 50 Ω. Therefore, the ISO1042 device theoretically supports up to 100 transceivers on a single bus segment. However, for CAN network design margin must be given for signal loss across the system and cabling, parasitic loadings, network imbalances, ground offsets and signal integrity, therefore a practical maximum number of nodes is typically much lower. Bus length may also be extended beyond the original ISO 11898 standard of 40 m by careful system design and data-rate tradeoffs. For example, CANopen network design guidelines allow the network to be up to 1 km with changes in the termination resistance, cabling, less than 64 nodes, and a significantly lowered data rate.

This flexibility in CAN network design is one of the key strengths of the various extensions and additional standards that have been built on the original ISO 11898-2 CAN standard. Using this flexibility requires the responsibility of good network design and balancing these tradeoffs.

Typical Application (continued)

9.2.2.2 CAN Termination

The ISO11898 standard specifies the interconnect to be a single twisted pair cable (shielded or unshielded) with 120-Ω characteristic impedance (Z_0). Resistors equal to the characteristic impedance of the line should be used to terminate both ends of the cable to prevent signal reflections. Unterminated drop-lines (stubs) connecting nodes to the bus should be kept as short as possible to minimize signal reflections. The termination may be in a node, but if nodes are removed from the bus, the termination must be carefully placed so that it is not removed from the bus.

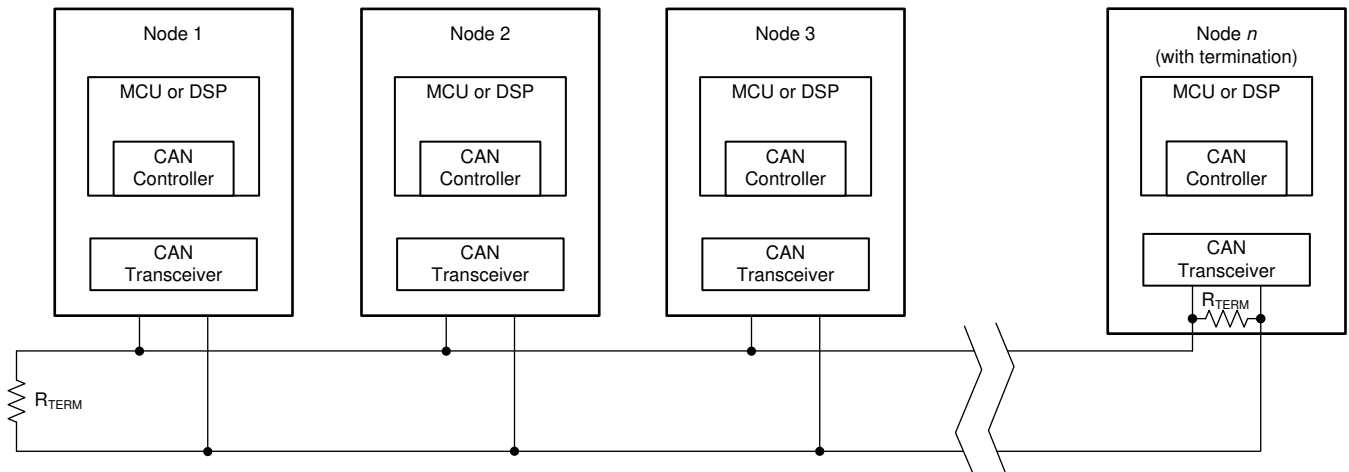


Figure 30. Typical CAN Bus

Termination may be a single 120-Ω resistor at the end of the bus, either on the cable or in a terminating node. If filtering and stabilization of the common-mode voltage of the bus is desired, then split termination can be used. (See Figure 31). Split termination improves the electromagnetic emissions behavior of the network by eliminating fluctuations in the bus common-mode voltages at the start and end of message transmissions.

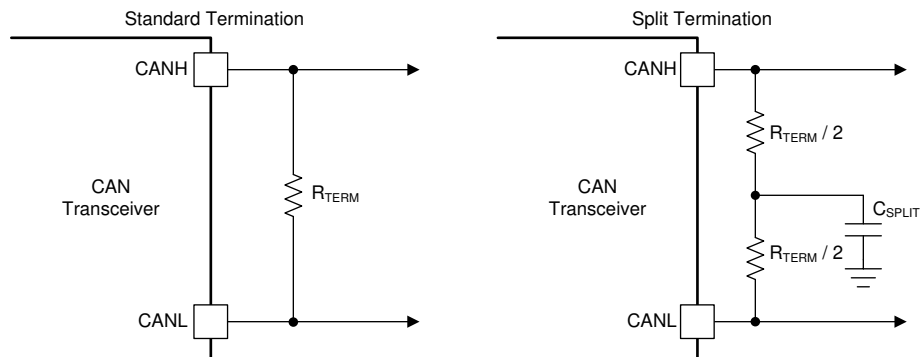


Figure 31. CAN Bus Termination Concepts

Typical Application (continued)

9.2.3 Application Curve

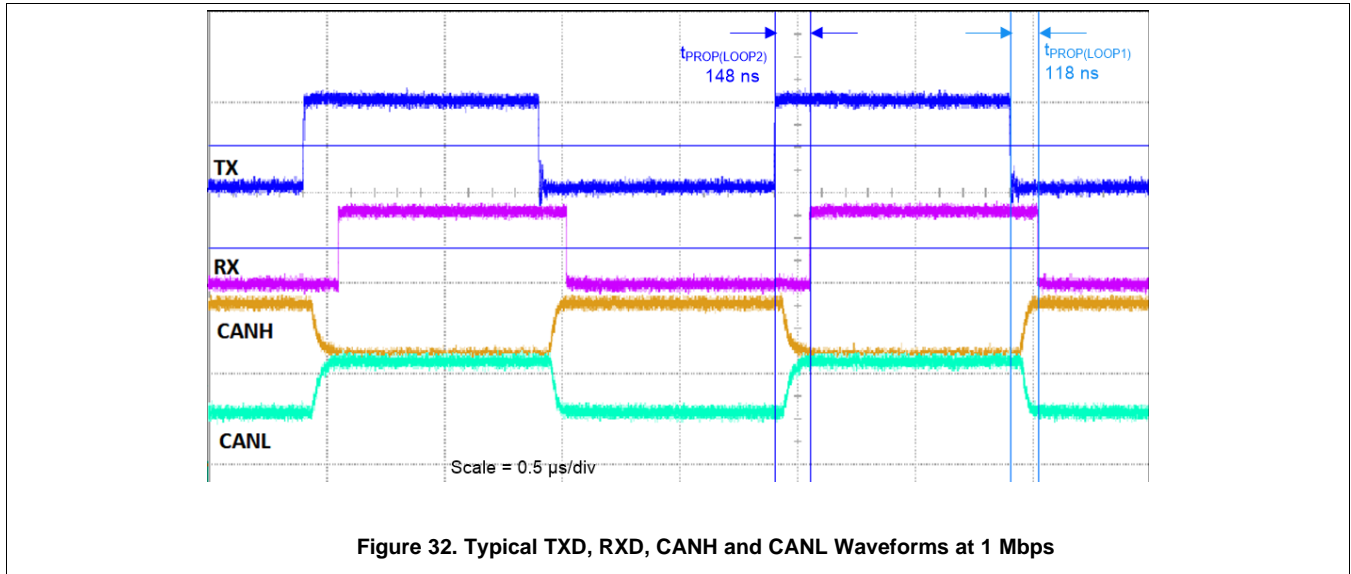


Figure 32. Typical TXD, RXD, CANH and CANL Waveforms at 1 Mbps

9.3 DeviceNet Application

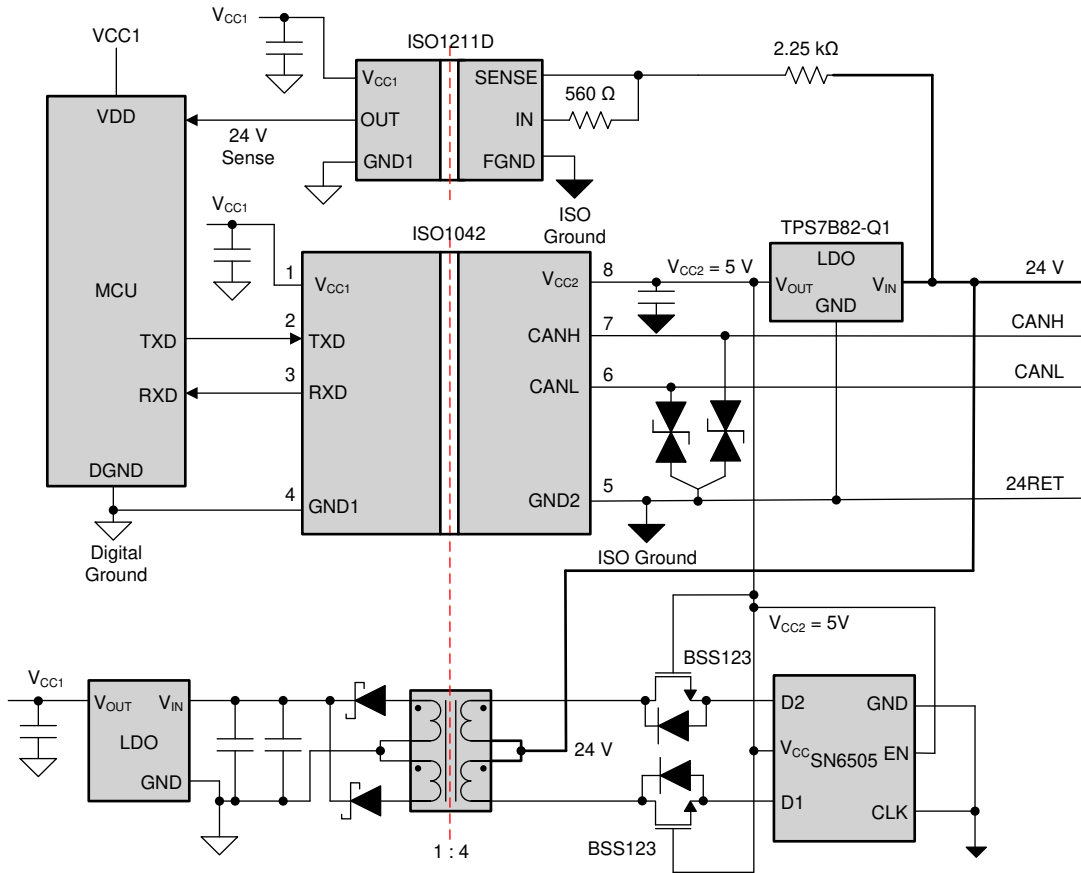


Figure 33. ISO1042, ISO1211 and SN6505 Used in a DeviceNet Application

DeviceNet Application (continued)

Figure 33 shows an application circuit for using ISO1042, ISO1211 and SN6505 in a DeviceNet application. ISO1042 is used to isolate the CAN interface. The ISO1211 24-V digital input receiver is used to detect the absence or presence of the 24-V field supply. The SN6505 push-pull transformer driver, is used to create an auxiliary isolated power supply for the micro-controller side using the 24-V field supply.

10 Power Supply Recommendations

To make sure operation is reliable at all data rates and supply voltages, a 0.1- μ F bypass capacitor is recommended at the input and output supply pins (V_{CC1} and V_{CC2}). The capacitors should be placed as close to the supply pins as possible. In addition, a bulk capacitance, typically 4.7 μ F, should be placed near the V_{CC2} supply pin. If only a single primary-side power supply is available in an application, isolated power can be generated for the secondary-side with the help of a transformer driver such as TI's [SN6505B](#). For such applications, detailed power supply design, and transformer selection recommendations are available in the [SN6505 Low-Noise 1-A Transformer Drivers for Isolated Power Supplies data sheet](#).

11 Layout

11.1 Layout Guidelines

A minimum of four layers is required to accomplish a low EMI PCB design (see [Figure 34](#)). Layer stacking should be in the following order (top-to-bottom): high-speed signal layer, ground plane, power plane and low-frequency signal layer.

- Routing the high-speed traces on the top layer avoids the use of vias (and the introduction of their inductances) and allows for clean interconnects between the isolator and the transmitter and receiver circuits of the data link.
- Placing a solid ground plane next to the high-speed signal layer establishes controlled impedance for transmission line interconnects and provides an excellent low-inductance path for the return current flow.
- Placing the power plane next to the ground plane creates additional high-frequency bypass capacitance of approximately 100 pF/in².
- Routing the slower speed control signals on the bottom layer allows for greater flexibility as these signal links usually have margin to tolerate discontinuities such as vias.

Suggested placement and routing of ISO1042 bypass capacitors and optional TVS diodes is shown in [Figure 35](#) and [Figure 36](#). In particular, place the V_{CC2} bypass capacitors on the top layer, as close to the device pins as possible, and complete the connection to the V_{CC2} and G_{ND2} pins without using vias. Note that the SOIC-16 variant needs two V_{CC2} bypass capacitor, one on each V_{CC2} pin.

If an additional supply voltage plane or signal layer is needed, add a second power or ground plane system to the stack to keep it symmetrical. This makes the stack mechanically stable and prevents it from warping. Also the power and ground plane of each power system can be placed closer together, thus increasing the high-frequency bypass capacitance significantly.

For detailed layout recommendations, refer to the [Digital Isolator Design Guide](#).

11.1.1 PCB Material

For digital circuit boards operating at less than 150 Mbps, (or rise and fall times greater than 1 ns), and trace lengths of up to 10 inches, use standard FR-4 UL94V-0 printed circuit board. This PCB is preferred over lower-cost alternatives because of lower dielectric losses at high frequencies, less moisture absorption, greater strength and stiffness, and the self-extinguishing flammability-characteristics.

11.2 Layout Example

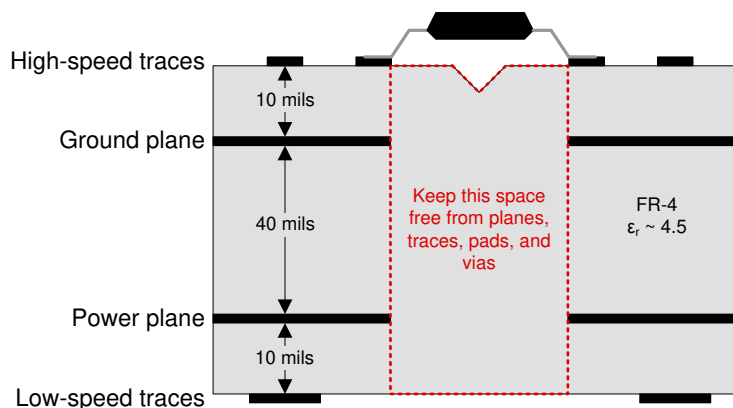


Figure 34. Recommended Layer Stack

Layout Example (continued)

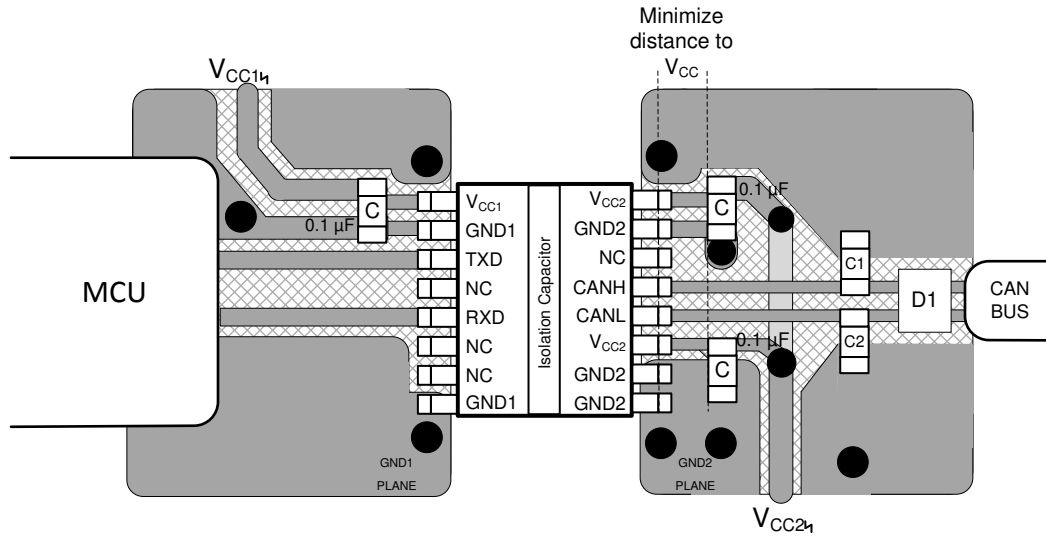


Figure 35. 16-DW Layout Example

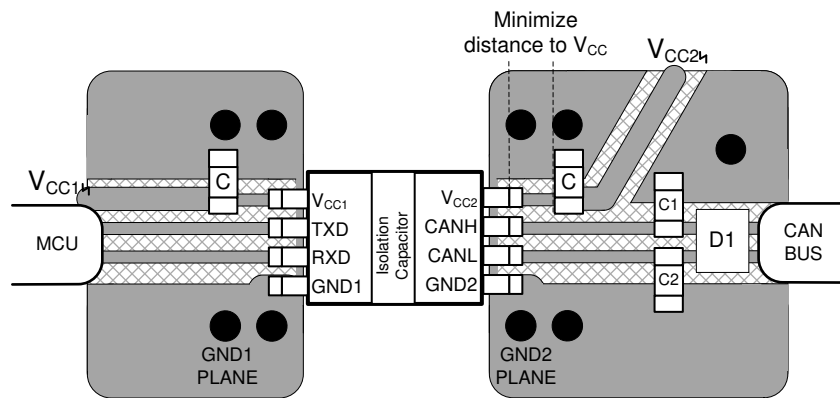


Figure 36. 8-DWV Layout Example

12 Device and Documentation Support

12.1 Documentation Support

12.1.1 Related Documentation

For related documentation see the following:

- Texas Instruments, [Digital Isolator Design Guide](#)
- Texas Instruments, [ISO1042DW Isolated CAN Transceiver Evaluation Module User's Guide](#)
- Texas Instruments, [Isolate your CAN systems without compromising on performance or space TI TechNote](#)
- Texas Instruments, [Isolation Glossary](#)
- Texas Instruments, [High-voltage reinforced isolation: Definitions and test methodologies](#)
- Texas Instruments, [How to Isolate Signal and Power in Isolated CAN Systems TI TechNote](#)
- Texas Instruments, [How to Design Isolated CAN Systems With Correct Bus Protection Application Report](#)

12.2 Receiving Notification of Documentation Updates

To receive notification of documentation updates, navigate to the device product folder on ti.com. In the upper right corner, click on *Alert me* to register and receive a weekly digest of any product information that has changed. For change details, review the revision history included in any revised document.

12.3 Community Resource

[TI E2E™ support forums](#) are an engineer's go-to source for fast, verified answers and design help — straight from the experts. Search existing answers or ask your own question to get the quick design help you need.

Linked content is provided "AS IS" by the respective contributors. They do not constitute TI specifications and do not necessarily reflect TI's views; see TI's [Terms of Use](#).

12.4 Trademarks

E2E is a trademark of Texas Instruments.

12.5 Electrostatic Discharge Caution



This integrated circuit can be damaged by ESD. Texas Instruments recommends that all integrated circuits be handled with appropriate precautions. Failure to observe proper handling and installation procedures can cause damage.

ESD damage can range from subtle performance degradation to complete device failure. Precision integrated circuits may be more susceptible to damage because very small parametric changes could cause the device not to meet its published specifications.

12.6 Glossary

[SLYZ022](#) — *TI Glossary*.

This glossary lists and explains terms, acronyms, and definitions.

13 Mechanical, Packaging, and Orderable Information

The following pages include mechanical packaging and orderable information. This information is the most current data available for the designated devices. This data is subject to change without notice and revision of this document. For browser-based versions of this data sheet, refer to the left-hand navigation.

PACKAGING INFORMATION

Orderable part number	Status (1)	Material type (2)	Package Pins	Package qty Carrier	RoHS (3)	Lead finish/ Ball material (4)	MSL rating/ Peak reflow (5)	Op temp (°C)	Part marking (6)
ISO1042BDW	Active	Production	SOIC (DW) 16	40 TUBE	Yes	NIPDAU	Level-3-260C-168 HR	-40 to 125	ISO1042B
ISO1042BDW.A	Active	Production	SOIC (DW) 16	40 TUBE	Yes	NIPDAU	Level-3-260C-168 HR	-40 to 125	ISO1042B
ISO1042BDWR	Active	Production	SOIC (DW) 16	2000 LARGE T&R	Yes	NIPDAU	Level-3-260C-168 HR	-40 to 125	ISO1042B
ISO1042BDWR.A	Active	Production	SOIC (DW) 16	2000 LARGE T&R	Yes	NIPDAU	Level-3-260C-168 HR	-40 to 125	ISO1042B
ISO1042BDWV	Active	Production	SOIC (DWV) 8	64 TUBE	Yes	NIPDAU	Level-3-260C-168 HR	-40 to 125	ISO1042B
ISO1042BDWV.A	Active	Production	SOIC (DWV) 8	64 TUBE	Yes	NIPDAU	Level-3-260C-168 HR	-40 to 125	ISO1042B
ISO1042BDWVR	Active	Production	SOIC (DWV) 8	1000 LARGE T&R	Yes	NIPDAU	Level-3-260C-168 HR	-40 to 125	ISO1042B
ISO1042BDWVR.A	Active	Production	SOIC (DWV) 8	1000 LARGE T&R	Yes	NIPDAU	Level-3-260C-168 HR	-40 to 125	ISO1042B
ISO1042DW	Active	Production	SOIC (DW) 16	40 TUBE	Yes	NIPDAU	Level-3-260C-168 HR	-40 to 125	ISO1042
ISO1042DW.A	Active	Production	SOIC (DW) 16	40 TUBE	Yes	NIPDAU	Level-3-260C-168 HR	-40 to 125	ISO1042
ISO1042DWR	Active	Production	SOIC (DW) 16	2000 LARGE T&R	Yes	NIPDAU	Level-3-260C-168 HR	-40 to 125	ISO1042
ISO1042DWR.A	Active	Production	SOIC (DW) 16	2000 LARGE T&R	Yes	NIPDAU	Level-3-260C-168 HR	-40 to 125	ISO1042
ISO1042DWV	Active	Production	SOIC (DWV) 8	64 TUBE	Yes	NIPDAU	Level-3-260C-168 HR	-40 to 125	ISO1042
ISO1042DWV.A	Active	Production	SOIC (DWV) 8	64 TUBE	Yes	NIPDAU	Level-3-260C-168 HR	-40 to 125	ISO1042
ISO1042DWVR	Active	Production	SOIC (DWV) 8	1000 LARGE T&R	Yes	NIPDAU	Level-3-260C-168 HR	-40 to 125	ISO1042
ISO1042DWVR.A	Active	Production	SOIC (DWV) 8	1000 LARGE T&R	Yes	NIPDAU	Level-3-260C-168 HR	-40 to 125	ISO1042
ISO1042DWVRG4	Active	Production	SOIC (DWV) 8	1000 LARGE T&R	Yes	NIPDAU	Level-3-260C-168 HR	-40 to 125	ISO1042
ISO1042DWVRG4.A	Active	Production	SOIC (DWV) 8	1000 LARGE T&R	Yes	NIPDAU	Level-3-260C-168 HR	-40 to 125	ISO1042

(1) **Status:** For more details on status, see our [product life cycle](#).

(2) **Material type:** When designated, preproduction parts are prototypes/experimental devices, and are not yet approved or released for full production. Testing and final process, including without limitation quality assurance, reliability performance testing, and/or process qualification, may not yet be complete, and this item is subject to further changes or possible discontinuation. If available for ordering, purchases will be subject to an additional waiver at checkout, and are intended for early internal evaluation purposes only. These items are sold without warranties of any kind.

(3) **RoHS values:** Yes, No, RoHS Exempt. See the [TI RoHS Statement](#) for additional information and value definition.

(4) **Lead finish/Ball material:** Parts may have multiple material finish options. Finish options are separated by a vertical ruled line. Lead finish/Ball material values may wrap to two lines if the finish value exceeds the maximum column width.

(5) **MSL rating/Peak reflow:** The moisture sensitivity level ratings and peak solder (reflow) temperatures. In the event that a part has multiple moisture sensitivity ratings, only the lowest level per JEDEC standards is shown. Refer to the shipping label for the actual reflow temperature that will be used to mount the part to the printed circuit board.

(6) **Part marking:** There may be an additional marking, which relates to the logo, the lot trace code information, or the environmental category of the part.

Multiple part markings will be inside parentheses. Only one part marking contained in parentheses and separated by a "~" will appear on a part. If a line is indented then it is a continuation of the previous line and the two combined represent the entire part marking for that device.

Important Information and Disclaimer:The information provided on this page represents TI's knowledge and belief as of the date that it is provided. TI bases its knowledge and belief on information provided by third parties, and makes no representation or warranty as to the accuracy of such information. Efforts are underway to better integrate information from third parties. TI has taken and continues to take reasonable steps to provide representative and accurate information but may not have conducted destructive testing or chemical analysis on incoming materials and chemicals. TI and TI suppliers consider certain information to be proprietary, and thus CAS numbers and other limited information may not be available for release.

In no event shall TI's liability arising out of such information exceed the total purchase price of the TI part(s) at issue in this document sold by TI to Customer on an annual basis.

OTHER QUALIFIED VERSIONS OF ISO1042 :

- Automotive : [ISO1042-Q1](#)

NOTE: Qualified Version Definitions:

- Automotive - Q100 devices qualified for high-reliability automotive applications targeting zero defects

TAPE AND REEL INFORMATION

QUADRANT ASSIGNMENTS FOR PIN 1 ORIENTATION IN TAPE


*All dimensions are nominal

Device	Package Type	Package Drawing	Pins	SPQ	Reel Diameter (mm)	Reel Width W1 (mm)	A0 (mm)	B0 (mm)	K0 (mm)	P1 (mm)	W (mm)	Pin1 Quadrant
ISO1042BDWR	SOIC	DW	16	2000	330.0	16.4	10.75	10.7	2.7	12.0	16.0	Q1
ISO1042BDWVR	SOIC	DWV	8	1000	330.0	16.4	12.05	6.15	3.3	16.0	16.0	Q1
ISO1042DWR	SOIC	DW	16	2000	330.0	16.4	10.75	10.7	2.7	12.0	16.0	Q1
ISO1042DWVR	SOIC	DWV	8	1000	330.0	16.4	12.05	6.15	3.3	16.0	16.0	Q1
ISO1042DWVRG4	SOIC	DWV	8	1000	330.0	16.4	12.05	6.15	3.3	16.0	16.0	Q1

TAPE AND REEL BOX DIMENSIONS


*All dimensions are nominal

Device	Package Type	Package Drawing	Pins	SPQ	Length (mm)	Width (mm)	Height (mm)
ISO1042BDWR	SOIC	DW	16	2000	350.0	350.0	43.0
ISO1042BDWVR	SOIC	DWV	8	1000	350.0	350.0	43.0
ISO1042DWR	SOIC	DW	16	2000	350.0	350.0	43.0
ISO1042DWVR	SOIC	DWV	8	1000	350.0	350.0	43.0
ISO1042DWVRG4	SOIC	DWV	8	1000	350.0	350.0	43.0

TUBE


*All dimensions are nominal

Device	Package Name	Package Type	Pins	SPQ	L (mm)	W (mm)	T (μm)	B (mm)
ISO1042BDW	DW	SOIC	16	40	506.98	12.7	4826	6.6
ISO1042BDW.A	DW	SOIC	16	40	506.98	12.7	4826	6.6
ISO1042BDWV	DWV	SOIC	8	64	505.46	13.94	4826	6.6
ISO1042BDWV.A	DWV	SOIC	8	64	505.46	13.94	4826	6.6
ISO1042DW	DW	SOIC	16	40	506.98	12.7	4826	6.6
ISO1042DW.A	DW	SOIC	16	40	506.98	12.7	4826	6.6
ISO1042DWV	DWV	SOIC	8	64	505.46	13.94	4826	6.6
ISO1042DWV.A	DWV	SOIC	8	64	505.46	13.94	4826	6.6

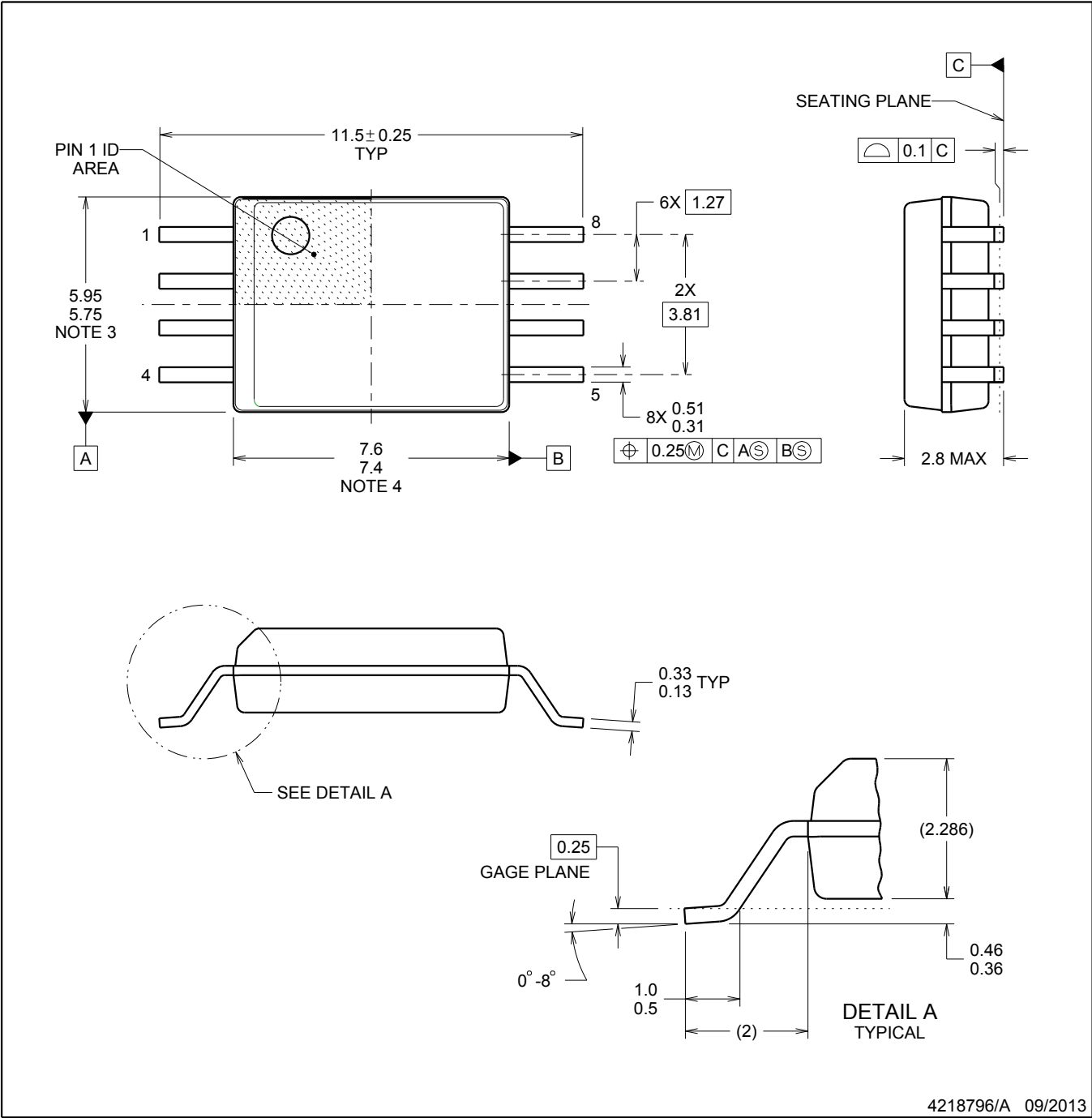
PACKAGE OUTLINE

DWV0008A



SOIC - 2.8 mm max height

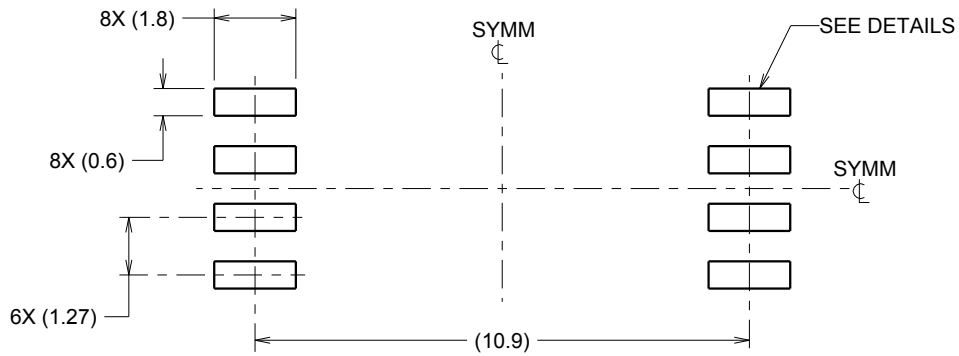
SOIC



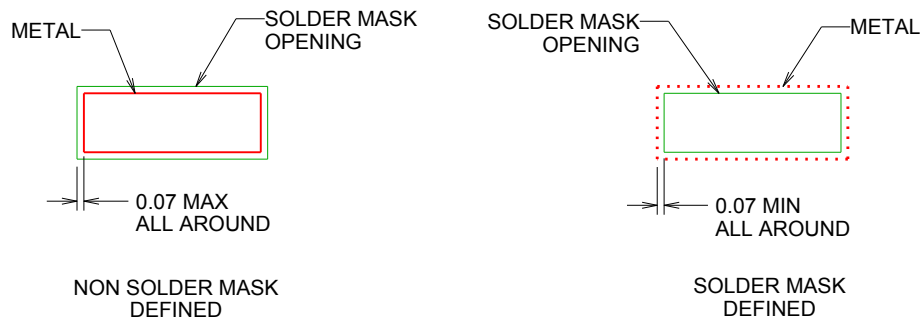
4218796/A 09/2013

NOTES:

1. All linear dimensions are in millimeters. Dimensions in parenthesis are for reference only. Dimensioning and tolerancing per ASME Y14.5M.
2. This drawing is subject to change without notice.
3. This dimension does not include mold flash, protrusions, or gate burrs. Mold flash, protrusions, or gate burrs shall not exceed 0.15 mm, per side.
4. This dimension does not include interlead flash. Interlead flash shall not exceed 0.25 mm, per side.



LAND PATTERN EXAMPLE
 9.1 mm NOMINAL CLEARANCE/CREEPAGE
 SCALE:6X

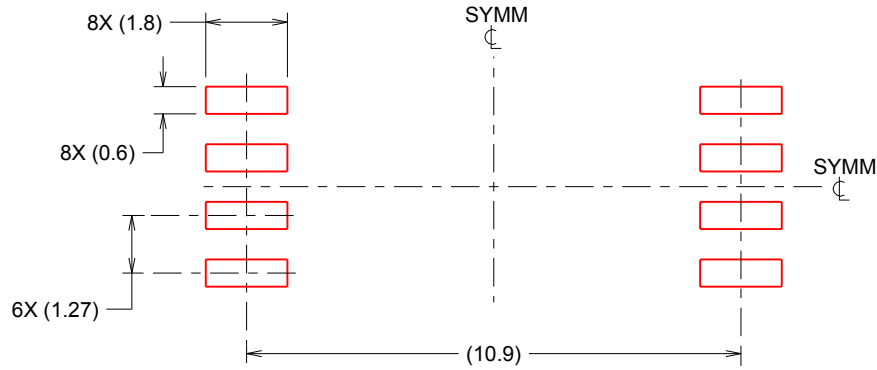


SOLDER MASK DETAILS

4218796/A 09/2013

NOTES: (continued)

- 5. Publication IPC-7351 may have alternate designs.
- 6. Solder mask tolerances between and around signal pads can vary based on board fabrication site.



SOLDER PASTE EXAMPLE
 BASED ON 0.125 mm THICK STENCIL
 SCALE:6X

4218796/A 09/2013

NOTES: (continued)

- 7. Laser cutting apertures with trapezoidal walls and rounded corners may offer better paste release. IPC-7525 may have alternate design recommendations.
- 8. Board assembly site may have different recommendations for stencil design.

GENERIC PACKAGE VIEW

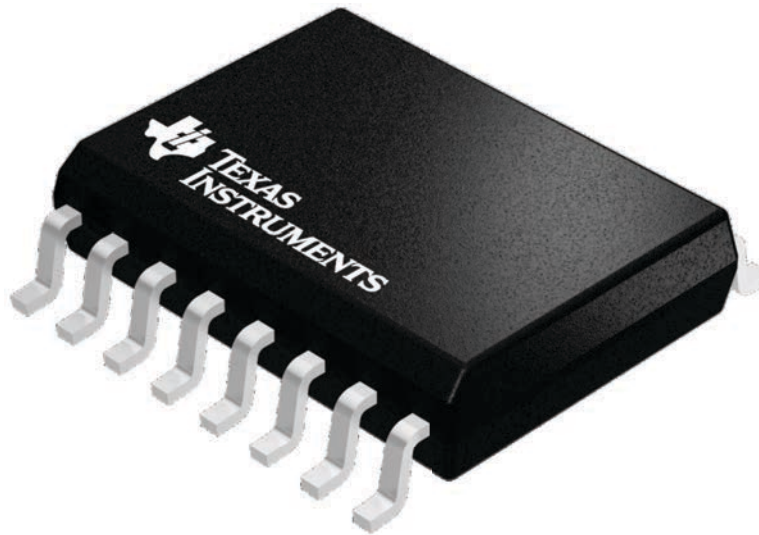
DW 16

SOIC - 2.65 mm max height

7.5 x 10.3, 1.27 mm pitch

SMALL OUTLINE INTEGRATED CIRCUIT

This image is a representation of the package family, actual package may vary.
Refer to the product data sheet for package details.



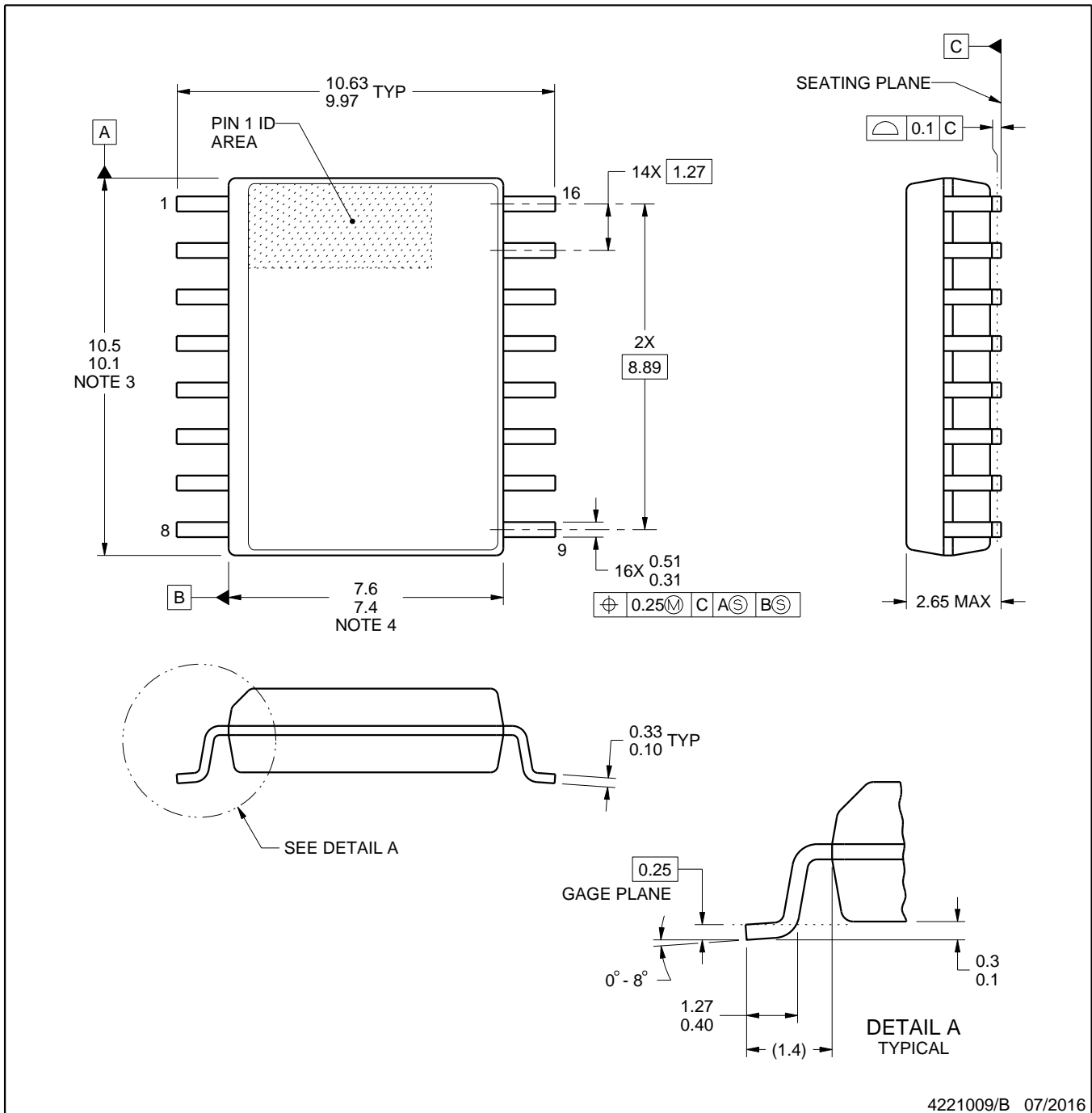
4224780/A



DW0016B

PACKAGE OUTLINE SOIC - 2.65 mm max height

SOIC



4221009/B 07/2016

NOTES:

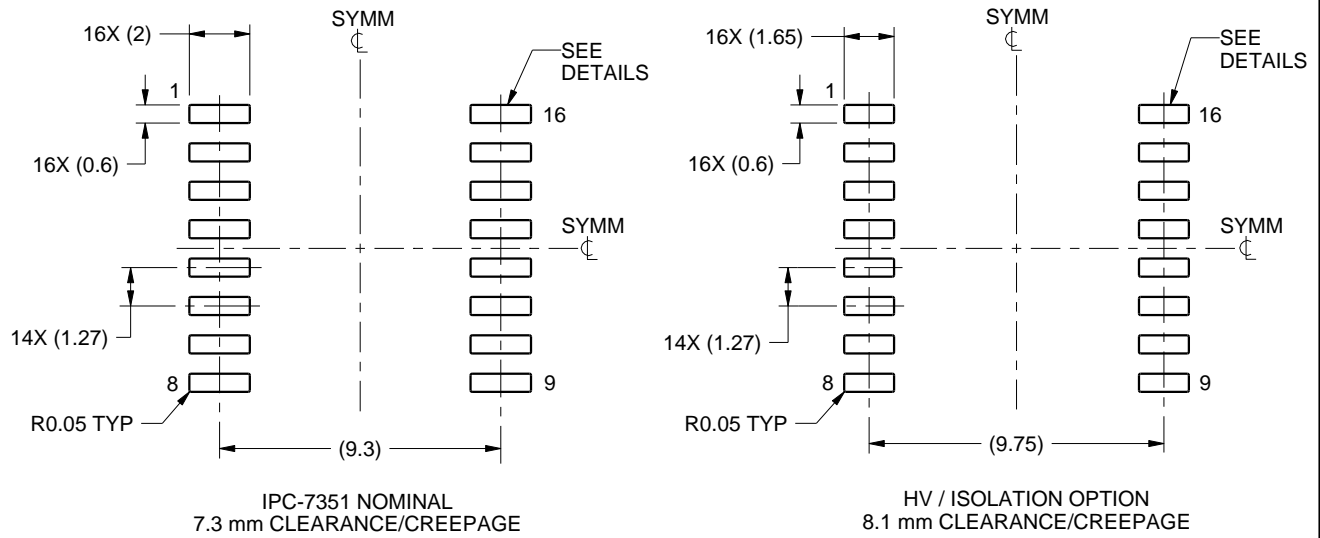
1. All linear dimensions are in millimeters. Dimensions in parenthesis are for reference only. Dimensioning and tolerancing per ASME Y14.5M.
2. This drawing is subject to change without notice.
3. This dimension does not include mold flash, protrusions, or gate burrs. Mold flash, protrusions, or gate burrs shall not exceed 0.15 mm, per side.
4. This dimension does not include interlead flash. Interlead flash shall not exceed 0.25 mm, per side.
5. Reference JEDEC registration MS-013.

EXAMPLE BOARD LAYOUT

DW0016B

SOIC - 2.65 mm max height

SOIC



LAND PATTERN EXAMPLE
SCALE:4X



SOLDER MASK DETAILS

4221009/B 07/2016

NOTES: (continued)

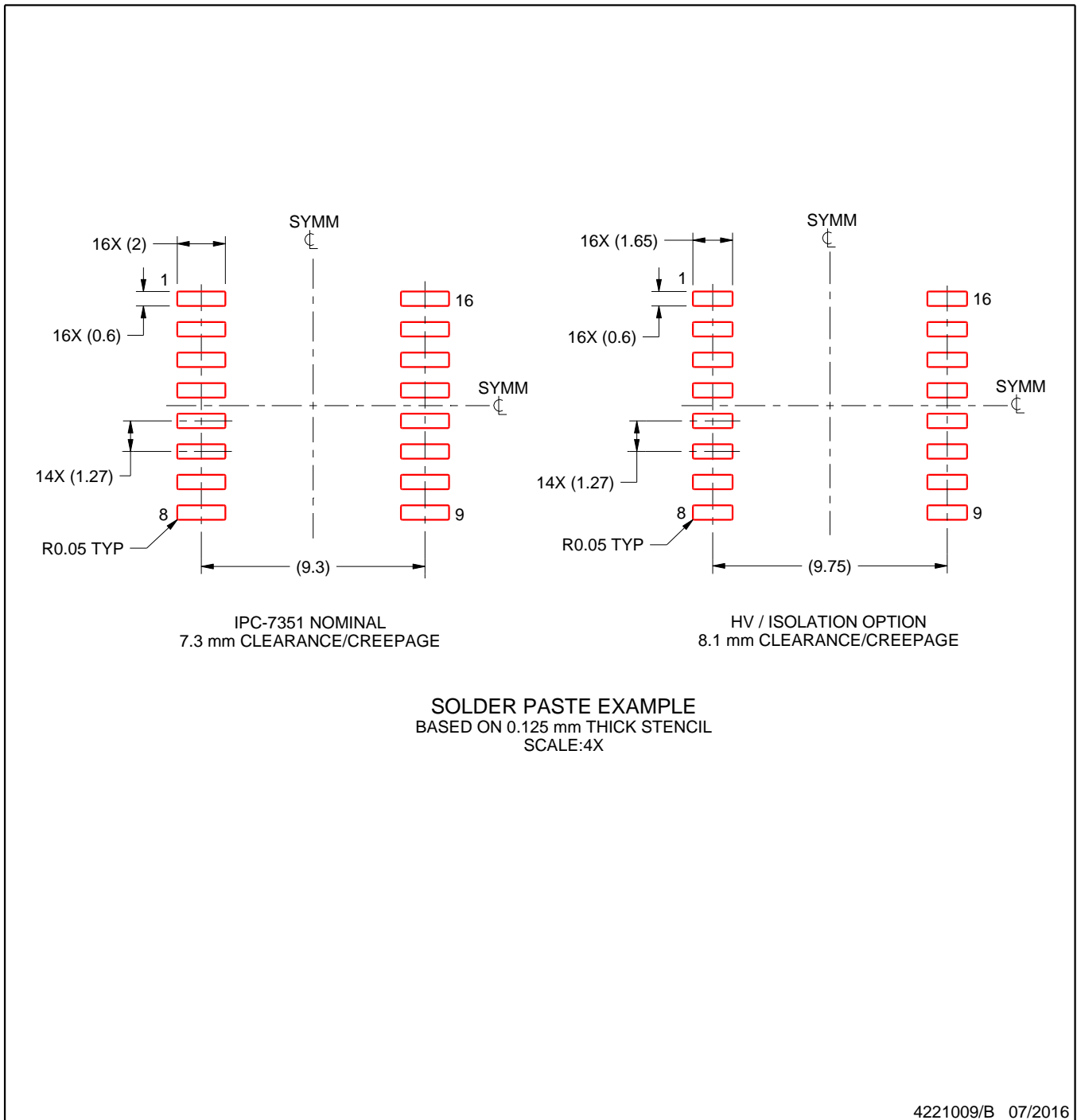
- 6. Publication IPC-7351 may have alternate designs.
- 7. Solder mask tolerances between and around signal pads can vary based on board fabrication site.

EXAMPLE STENCIL DESIGN

DW0016B

SOIC - 2.65 mm max height

SOIC



NOTES: (continued)

8. Laser cutting apertures with trapezoidal walls and rounded corners may offer better paste release. IPC-7525 may have alternate design recommendations.
9. Board assembly site may have different recommendations for stencil design.

IMPORTANT NOTICE AND DISCLAIMER

TI PROVIDES TECHNICAL AND RELIABILITY DATA (INCLUDING DATASHEETS), DESIGN RESOURCES (INCLUDING REFERENCE DESIGNS), APPLICATION OR OTHER DESIGN ADVICE, WEB TOOLS, SAFETY INFORMATION, AND OTHER RESOURCES "AS IS" AND WITH ALL FAULTS, AND DISCLAIMS ALL WARRANTIES, EXPRESS AND IMPLIED, INCLUDING WITHOUT LIMITATION ANY IMPLIED WARRANTIES OF MERCHANTABILITY, FITNESS FOR A PARTICULAR PURPOSE OR NON-INFRINGEMENT OF THIRD PARTY INTELLECTUAL PROPERTY RIGHTS.

These resources are intended for skilled developers designing with TI products. You are solely responsible for (1) selecting the appropriate TI products for your application, (2) designing, validating and testing your application, and (3) ensuring your application meets applicable standards, and any other safety, security, regulatory or other requirements.

These resources are subject to change without notice. TI grants you permission to use these resources only for development of an application that uses the TI products described in the resource. Other reproduction and display of these resources is prohibited. No license is granted to any other TI intellectual property right or to any third party intellectual property right. TI disclaims responsibility for, and you fully indemnify TI and its representatives against any claims, damages, costs, losses, and liabilities arising out of your use of these resources.

TI's products are provided subject to [TI's Terms of Sale](#), [TI's General Quality Guidelines](#), or other applicable terms available either on [ti.com](#) or provided in conjunction with such TI products. TI's provision of these resources does not expand or otherwise alter TI's applicable warranties or warranty disclaimers for TI products. Unless TI explicitly designates a product as custom or customer-specified, TI products are standard, catalog, general purpose devices.

TI objects to and rejects any additional or different terms you may propose.

Copyright © 2026, Texas Instruments Incorporated

Last updated 10/2025