

# OPAx387 Ultra-High Precision, Zero-Drift, Low-Input-Bias-Current Op Amps

## 1 Features

- Ultra-low offset voltage:  $\pm 2 \mu\text{V}$  (maximum, tested)
- Zero drift:  $\pm 0.003 \mu\text{V}/^\circ\text{C}$
- Low-input bias current: 150 pA (maximum, tested)
- Low noise:  $8.5 \text{ nV}/\sqrt{\text{Hz}}$  at 1 kHz
- No 1/f noise:  $177 \text{ nV}_{\text{PP}}$  (0.1 Hz to 10 Hz)
- Common-mode input range  $\pm 100 \text{ mV}$  beyond supply rails
- Gain bandwidth: 5.7 MHz
- Quiescent current: 570  $\mu\text{A}$  per amplifier
- Single supply: 1.7 V to 5.5 V
- Dual supply:  $\pm 0.85 \text{ V}$  to  $\pm 2.75 \text{ V}$
- EMI and RFI filtered inputs

## 2 Applications

- [Electronic thermometer](#)
- [Weigh scale](#)
- [Temperature transmitter](#)
- [Ventilators](#)
- [Data acquisition \(DAQ\)](#)
- [Semiconductor test](#)
- [Lab and field instrumentation](#)
- [Merchant network and server PSU](#)
- [Analog input module](#)
- [Pressure transmitter](#)

## 3 Description

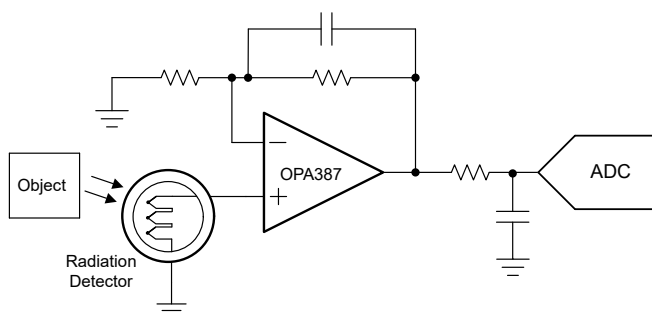
The OPA387, OPA2387, and OPA4387 (OPAx387) family of precision amplifiers offers state-of-the-art performance. With zero-drift technology, the OPAx387 offset voltage and offset drift provide unparalleled long-term stability. With a mere 570  $\mu\text{A}$  of quiescent current, the OPAx387 are able to achieve 5.7 MHz of bandwidth, a broadband noise of  $8.5 \text{ nV}/\sqrt{\text{Hz}}$ , and a 1/f noise at  $177 \text{ nV}_{\text{PP}}$ . These specifications are crucial to achieve extremely-high precision and no degradation of linearity in 16-bit to 24-bit analog to digital converters (ADCs). The OPAx387 feature flat bias current over temperature; therefore, little to no calibration is needed in high input impedance applications over temperature.

All versions are specified over the industrial temperature range of  $-40^\circ\text{C}$  to  $+125^\circ\text{C}$ .

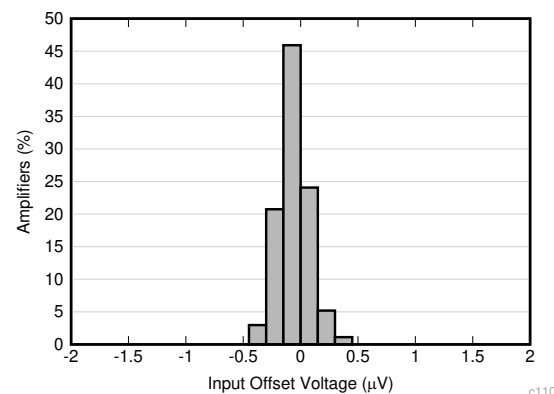
### Device Information

| PART NUMBER | CHANNEL COUNT | PACKAGE <sup>(1)</sup> |
|-------------|---------------|------------------------|
| OPA387      | Single        | DBV (SOT-23, 5)        |
| OPA2387     | Dual          | D (SOIC, 8)            |
|             |               | DGK (VSSOP, 8)         |
|             |               | DSG (WSON, 8)          |
| OPA4387     | Quad          | PW (TSSOP, 14)         |

- (1) For all available packages, see the package option addendum at the end of the data sheet.



**The OPA387 as an Ultra-Low Offset, Low-Noise ADC Driver**



**Ultra-Low Input Offset Voltage**

c110



## Table of Contents

|  |    |  |    |
|--|----|--|----|
| <b>1 Features</b> .....                        | 1  | 7.3 Feature Description.....                                     | 15 |
| <b>2 Applications</b> .....                    | 1  | 7.4 Device Functional Modes.....                                 | 15 |
| <b>3 Description</b> .....                     | 1  | <b>8 Application and Implementation</b> .....                    | 16 |
| <b>4 Revision History</b> .....                | 2  | 8.1 Application Information.....                                 | 16 |
| <b>5 Pin Configuration and Functions</b> ..... | 3  | 8.2 Typical Applications.....                                    | 16 |
| <b>6 Specifications</b> .....                  | 5  | 8.3 Power Supply Recommendations.....                            | 19 |
| 6.1 Absolute Maximum Ratings.....              | 5  | 8.4 Layout.....  | 19 |
| 6.2 ESD Ratings.....                           | 5  | <b>9 Device and Documentation Support</b> .....                  | 20 |
| 6.3 Recommended Operating Conditions.....      | 5  | 9.1 Device Support.....  | 20 |
| 6.4 Thermal Information: OPA387.....           | 6  | 9.2 Documentation Support.....                                   | 20 |
| 6.5 Thermal Information: OPA2387.....          | 6  | 9.3 Receiving Notification of Documentation Updates.....         | 20 |
| 6.6 Thermal Information: OPA4387.....          | 6  | 9.4 Support Resources.....                                       | 20 |
| 6.7 Electrical Characteristics.....            | 7  | 9.5 Trademarks.....  | 20 |
| 6.8 Typical Characteristics.....               | 9  | 9.6 Electrostatic Discharge Caution.....                         | 20 |
| <b>7 Detailed Description</b> .....            | 14 | 9.7 Glossary.....  | 21 |
| 7.1 Overview.....                              | 14 | <b>10 Mechanical, Packaging, and Orderable Information</b> ..... | 21 |
| 7.2 Functional Block Diagram.....              | 14 |  |    |

## 4 Revision History

NOTE: Page numbers for previous revisions may differ from page numbers in the current version.

| <b>Changes from Revision F (February 2022) to Revision G (September 2023)</b>   | <b>Page</b> |
|---|-------------|
| • Changed OPA2387 D (SOIC-8) package status from preview to production data (active) and added associated thermal information.....                    | 1           |
| • Changed short-circuit current for OPA2387DGK at $V_S = 1.7\text{ V}$ from $\pm 25\text{ mA}$ to $\pm 15\text{ mA}$ .....                            | 7           |
| <b>Changes from Revision E (December 2021) to Revision F (February 2022)</b>  | <b>Page</b> |
| • Added OPA2387 DSG (WSON-8) package and associated content.....  | 1           |
| <b>Changes from Revision D (October 2021) to Revision E (December 2021)</b>   | <b>Page</b> |
| • Changed OPA4387 device from advanced information (preview) to production data (active).....   | 1           |
| <b>Changes from Revision C (October 2021) to Revision D (October 2021)</b>  | <b>Page</b> |
| • Added OPA4387 advanced information (preview) device and associated content.....   | 1           |
| • Changed low-input bias current Features bullet from 135 pA to 150 pA.....   | 1           |
| • Deleted input offset voltage MAX values for over temperature and common-mode voltage test conditions for clarity.....                               | 7           |
| • Added input offset voltage over temperature TYP value to represent performance shown in typical characteristics .....                               | 7           |
| • Changed maximum input bias current for OPA387 and OPA2387 from 135 pA to 150 pA.....  | 7           |
| • Changed maximum input offset current for OPA387 and OPA2387 from 270 pA to 300 pA.....  | 7           |
| • Changed maximum open-loop voltage gain for OPA387 and OPA2387 from 132 dB to 135 dB.....  | 7           |
| • Changed settling time to 0.01% from 2.5 $\mu\text{s}$ to 5.5 $\mu\text{s}$ .....  | 7           |
| • Changed high linearity output swing from rail for $R_L = 2\text{ k}\Omega$ from 75 mV to 150 mV .....   | 7           |
| • Changed short-circuit current for OPA387 at $V_S = 1.7\text{ V}$ from $\pm 25\text{ mA}$ to $\pm 15\text{ mA}$ .....                                | 7           |
| • Added open-loop output impedance at 1 MHz .....   | 7           |
| • Changed Figure 6-13, <i>PSRR and CMRR vs Frequency</i> , to fit to CMRR and PSRR specifications in the <i>Electrical Characteristic</i> table ..... | 9           |
| • Changed Figure 6-24, <i>Phase Margin vs Capacitive Load</i> , to add test condition.....  | 9           |

## 5 Pin Configuration and Functions

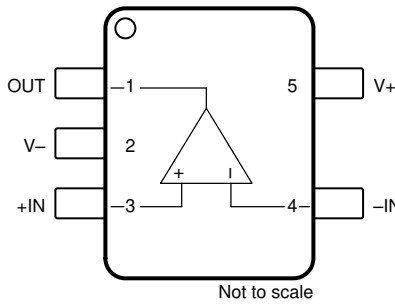


Figure 5-1. OPA387: DBV Package, 5-Pin SOT-23 (Top View)

Table 5-1. Pin Functions: OPA387

| PIN  |     | TYPE   | DESCRIPTION                     |
|------|-----|--------|---------------------------------|
| NAME | NO. |        |                                 |
| -IN  | 4   | Input  | Inverting input                 |
| +IN  | 3   | Input  | Noninverting input              |
| OUT  | 1   | Output | Output                          |
| V-   | 2   | Power  | Negative (lowest) power supply  |
| V+   | 5   | Power  | Positive (highest) power supply |

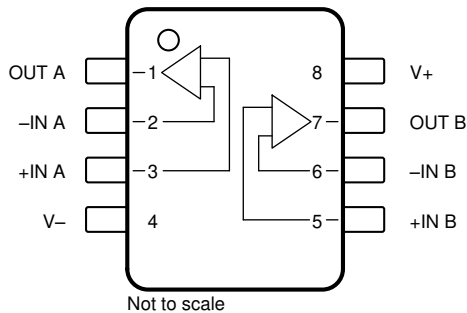


Figure 5-2. OPA2387: D Package, 8-Pin SOIC and DGK Package, 8-Pin VSSOP (Top View)

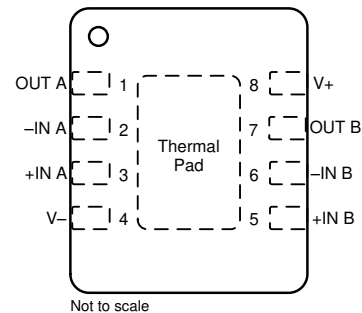
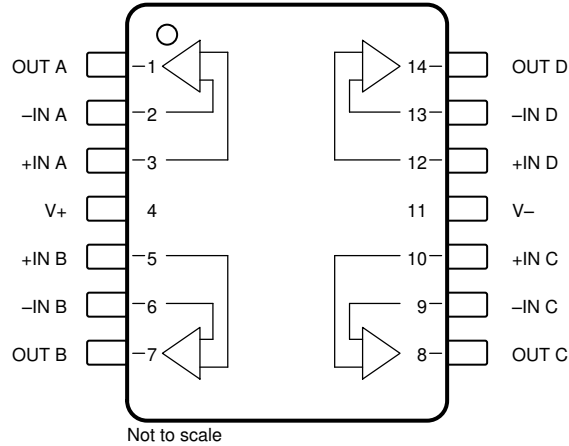


Figure 5-3. OPA2387: DSG Package, 8-Pin WSON With Exposed Thermal (Top View)

Table 5-2. Pin Functions: OPA2387

| NAME        | PIN                   |             | TYPE   | DESCRIPTION                     |
|-------------|-----------------------|-------------|--------|---------------------------------|
|             | NO.                   |             |        |                                 |
|             | D (SOIC), DGK (VSSOP) | DSG (WSON)  |        |                                 |
| -IN A       | 2                     | 2           | Input  | Inverting input, channel A      |
| -IN B       | 6                     | 6           | Input  | Inverting input, channel B      |
| +IN A       | 3                     | 3           | Input  | Noninverting input, channel A   |
| +IN B       | 5                     | 5           | Input  | Noninverting input, channel B   |
| OUT A       | 1                     | 1           | Output | Output, channel A               |
| OUT B       | 7                     | 7           | Output | Output, channel B               |
| V-          | 4                     | 4           | Power  | Negative (lowest) power supply  |
| V+          | 8                     | 8           | Power  | Positive (highest) power supply |
| Thermal Pad | —                     | Thermal pad | —      | Connect thermal pad to V-       |



**Figure 5-4. OPA4387: PW Package, 14-Pin TSSOP (Top View)**

**Table 5-3. Pin Functions: OPA4387**

| PIN   |     | TYPE   | DESCRIPTION                     |
|-------|-----|--------|---------------------------------|
| NAME  | NO. |        |                                 |
| -IN A | 2   | Input  | Inverting input, channel A      |
| -IN B | 6   | Input  | Inverting input, channel B      |
| -IN C | 9   | Input  | Inverting input, channel C      |
| -IN D | 13  | Input  | Inverting input, channel D      |
| +IN A | 3   | Input  | Noninverting input, channel A   |
| +IN B | 5   | Input  | Noninverting input, channel B   |
| +IN C | 10  | Input  | Noninverting input, channel C   |
| +IN D | 12  | Input  | Noninverting input, channel D   |
| OUT A | 1   | Output | Output, channel A               |
| OUT B | 7   | Output | Output, channel B               |
| OUT C | 8   | Output | Output, channel C               |
| OUT D | 14  | Output | Output, channel D               |
| V-    | 11  | Power  | Negative (lowest) power supply  |
| V+    | 4   | Power  | Positive (highest) power supply |

## 6 Specifications

### 6.1 Absolute Maximum Ratings

over operating free-air temperature range (unless otherwise noted)<sup>(1)</sup>

|                  |  |               | MIN        | MAX               | UNIT |
|------------------|--|---------------|------------|-------------------|------|
| V <sub>S</sub>   | Supply voltage, V <sub>S</sub> = (V+) – (V–) | Single-supply |            | 6                 | V    |
|                  |  | Dual-supply   |            | ±3                |      |
|                  | Input voltage, all pins                      | Common-mode   | (V–) – 0.5 | (V+) + 0.5        | V    |
|                  |  | Differential  |            | (V+) – (V–) + 0.2 |      |
|                  | Input current, all pins                      |               |            | ±10               | mA   |
|                  | Output short circuit <sup>(2)</sup>          |               | Continuous | Continuous        |      |
| T <sub>A</sub>   | Operating temperature                        |               | –55        | 150               | °C   |
| T <sub>J</sub>   | Junction temperature                         |               | –55        | 150               | °C   |
| T <sub>stg</sub> | Storage temperature                          |               | –65        | 150               | °C   |

- (1) Operation outside the Absolute Maximum Ratings may cause permanent device damage. Absolute Maximum Ratings do not imply functional operation of the device at these or any other conditions beyond those listed under Recommended Operating Conditions. If used outside the Recommended Operating Conditions but within the Absolute Maximum Ratings, the device may not be fully functional, and this may affect device reliability, functionality, performance, and shorten the device lifetime.
- (2) Short-circuit to ground, one amplifier per package.

### 6.2 ESD Ratings

|                    |                         |   | VALUE | UNIT |
|--------------------|-------------------------|---|-------|------|
| V <sub>(ESD)</sub> | Electrostatic discharge | Human-body model (HBM), per ANSI/ESDA/JEDEC JS-001 <sup>(1)</sup>     | ±3000 | V    |
|                    |                         | Charged-device model (CDM), per ANSI/ESDA/JEDEC JS-002 <sup>(2)</sup> | ±1000 |      |

- (1) JEDEC document JEP155 states that 500-V HBM allows safe manufacturing with a standard ESD control process.
- (2) JEDEC document JEP157 states that 250-V CDM allows safe manufacturing with a standard ESD control process.

### 6.3 Recommended Operating Conditions

over operating free-air temperature range (unless otherwise noted)

|                |  |               | MIN   | NOM | MAX   | UNIT |
|----------------|--|---------------|-------|-----|-------|------|
| V <sub>S</sub> | Supply voltage, V <sub>S</sub> = (V+) – (V–) | Single-supply | 1.7   |     | 5.5   | V    |
|                |  | Dual-supply   | ±0.85 |     | ±2.75 |      |
| T <sub>A</sub> | Specified temperature                        |               | –40   |     | 125   | °C   |

## 6.4 Thermal Information: OPA387

| THERMAL METRIC <sup>(1)</sup> |  | OPA387       |      |
|-------------------------------|--|--------------|------|
|                               |  | DBV (SOT-23) |      |
|                               |  | 5 PINS       |      |
|                               |  |              | UNIT |
| $R_{\theta JA}$               | Junction-to-ambient thermal resistance       | 187.1        | °C/W |
| $R_{\theta JC(top)}$          | Junction-to-case(top) thermal resistance     | 107.4        | °C/W |
| $R_{\theta JB}$               | Junction-to-board thermal resistance         | 57.5         | °C/W |
| $\Psi_{JT}$                   | Junction-to-top characterization parameter   | 33.5         | °C/W |
| $\Psi_{JB}$                   | Junction-to-board characterization parameter | 57.1         | °C/W |
| $R_{\theta JC(bot)}$          | Junction-to-case(bottom) thermal resistance  | N/A          | °C/W |

(1) For more information about traditional and new thermal metrics, see the [Semiconductor and IC Package Thermal Metrics](#) application report.

## 6.5 Thermal Information: OPA2387

| THERMAL METRIC <sup>(1)</sup> |  | OPA2387  |             |            | UNIT |
|-------------------------------|--|----------|-------------|------------|------|
|                               |  | D (SOIC) | DGK (VSSOP) | DSG (WSON) |      |
|                               |  | 8 PINS   | 8 PINS      | 8 PINS     |      |
| $R_{\theta JA}$               | Junction-to-ambient thermal resistance       | 127.9    | 165         | 71.9       | °C/W |
| $R_{\theta JC(top)}$          | Junction-to-case (top) thermal resistance    | 69.9     | 53          | 88.8       | °C/W |
| $R_{\theta JB}$               | Junction-to-board thermal resistance         | 71.4     | 87          | 39.3       | °C/W |
| $\Psi_{JT}$                   | Junction-to-top characterization parameter   | 21.5     | 4.9         | 3.2        | °C/W |
| $\Psi_{JB}$                   | Junction-to-board characterization parameter | 70.7     | 85          | 39.2       | °C/W |
| $R_{\theta JC(bot)}$          | Junction-to-case (bottom) thermal resistance | N/A      | N/A         | 14.3       | °C/W |

(1) For more information about traditional and new thermal metrics, see the [Semiconductor and IC Package Thermal Metrics](#) application report.

## 6.6 Thermal Information: OPA4387

| THERMAL METRIC <sup>(1)</sup> |  | OPA4387    |      |
|-------------------------------|--|------------|------|
|                               |  | PW (TSSOP) |      |
|                               |  | 14 PINS    |      |
|                               |  |            | UNIT |
| $R_{\theta JA}$               | Junction-to-ambient thermal resistance       | 109.6      | °C/W |
| $R_{\theta JC(top)}$          | Junction-to-case (top) thermal resistance    | 27.4       | °C/W |
| $R_{\theta JB}$               | Junction-to-board thermal resistance         | 56.1       | °C/W |
| $\Psi_{JT}$                   | Junction-to-top characterization parameter   | 1.5        | °C/W |
| $\Psi_{JB}$                   | Junction-to-board characterization parameter | 54.9       | °C/W |
| $R_{\theta JC(bot)}$          | Junction-to-case (bottom) thermal resistance | N/A        | °C/W |

(1) For more information about traditional and new thermal metrics, see the [Semiconductor and IC Package Thermal Metrics](#) application report.

## 6.7 Electrical Characteristics

at  $T_A = 25^\circ\text{C}$ ,  $R_L = 10\text{ k}\Omega$  connected to  $V_S / 2$ ,  $V_S = 1.7\text{ V}$  to  $5.5\text{ V}$ ,  $V_{CM} = V_S / 2$ ,  $V_{OUT} = V_S / 2$ , and min and max specification established from manufacturing final test (unless otherwise noted)

| PARAMETER  |                              | TEST CONDITIONS   |                            | MIN   | TYP               | MAX                        | UNIT                                 |             |
|--|------------------------------|---|----------------------------|---|-------------------|----------------------------|--------------------------------------|-------------|
| <b>OFFSET VOLTAGE</b>  |                              |   |                            |   |                   |                            |                                      |             |
| $V_{OS}$   | Input offset voltage         | $V_S = 5.5\text{ V}$  |                            |   | $\pm 0.25$        | $\pm 2$                    | $\mu\text{V}$                        |             |
|  |                              | $V_S = 1.7\text{ V}$  |                            |   | $\pm 0.35$        | $\pm 2.5$                  |                                      |             |
|  |                              | $T_A = -40^\circ\text{C}$ to $+125^\circ\text{C}^{(1)}$   |                            |   | $\pm 0.4$         |                            |                                      |             |
| $dV_{OS}/dT$   | Input offset voltage drift   | $T_A = -40^\circ\text{C}$ to $+125^\circ\text{C}^{(1)}$   | OPA387, OPA2387<br>OPA4387 |   | $\pm 0.003$       | $\pm 0.012$<br>$\pm 0.018$ | $\mu\text{V}/^\circ\text{C}$         |             |
| PSRR   | Power supply rejection ratio | OPA387, OPA2387   |                            |   | $\pm 0.05$        | $\pm 0.35$                 | $\mu\text{V}/\text{V}$               |             |
|  |                              | OPA4387   |                            |   |                   | $\pm 0.5$                  |                                      |             |
|  |                              | $T_A = -40^\circ\text{C}$ to $+125^\circ\text{C}^{(1)}$   |                            |   |                   | $\pm 1$                    |                                      |             |
| <b>INPUT BIAS CURRENT</b>  |                              |   |                            |   |                   |                            |                                      |             |
| $I_B$  | Input bias current           | OPA387, OPA2387   |                            |   | $\pm 30$          | $\pm 150$                  | $\text{pA}$                          |             |
|  |                              | OPA4387   |                            |   |                   | $\pm 300$                  |                                      |             |
|  |                              | $T_A = -40^\circ\text{C}$ to $+125^\circ\text{C}^{(1)}$   | OPA387, OPA2387            |   |                   |                            |                                      | $\pm 200$   |
|  |                              |   | OPA4387                    |   |                   |                            |                                      | $\pm 350$   |
| $I_{OS}$   | Input offset current         | OPA387, OPA2387   |                            |   | $\pm 60$          | $\pm 300$                  | $\text{pA}$                          |             |
|  |                              | OPA4387   |                            |   |                   | $\pm 500$                  |                                      |             |
|  |                              | $T_A = -40^\circ\text{C}$ to $+125^\circ\text{C}^{(1)}$   | OPA387, OPA2387            |   |                   |                            |                                      | $\pm 400$   |
|  |                              |   | OPA4387                    |   |                   |                            |                                      | $\pm 700$   |
| <b>NOISE</b>   |                              |   |                            |   |                   |                            |                                      |             |
|  | Input voltage noise          | $f = 0.1\text{ Hz}$ to $10\text{ Hz}$   |                            |   | 177               |                            | $\text{nV}_{PP}$                     |             |
|  |                              |   |                            |   | 27                |                            | $\text{nV}_{RMS}$                    |             |
| $e_N$  | Input voltage noise density  | $f = 1\text{ Hz}$   |                            |   | 8.5               |                            | $\text{nV}/\sqrt{\text{Hz}}$         |             |
|  |                              | $f = 10\text{ Hz}$  |                            |   | 8.5               |                            |                                      |             |
|  |                              | $f = 100\text{ Hz}$   |                            |   | 8.5               |                            |                                      |             |
|  |                              | $f = 1\text{ kHz}$  |                            |   | 8.5               |                            |                                      |             |
| $i_N$  | Input current noise          | $f = 1\text{ kHz}$  |                            |   | 70                |                            | $\text{fA}/\sqrt{\text{Hz}}$         |             |
| <b>INPUT VOLTAGE</b>   |                              |   |                            |   |                   |                            |                                      |             |
| $V_{CM}$   | Common-mode voltage range    | $V_S = 1.7\text{ V}$  |                            | $(V-) - 0.1$  |                   | $(V+) + 0.1$               | $\text{V}$                           |             |
|  |                              | $V_S = 5.5\text{ V}$  |                            | $(V-) - 0.2$  |                   | $(V+) + 0.1$               |                                      |             |
| CMRR   | Common-mode rejection ratio  | $(V-) - 0.1\text{ V} < V_{CM} < (V+)$ , $V_S = 1.7\text{ V}$                                    |                            | 115   | 138               |                            | $\text{dB}$                          |             |
|  |                              | $(V-) - 0.2\text{ V} < V_{CM} < (V+) + 0.1\text{ V}$ , $V_S = 5.5\text{ V}$                     | OPA387, OPA2387            |   | 140               | 150                        |                                      |             |
|  |                              |   | OPA4387                    |   | 130               |                            |                                      |             |
|  |                              | $(V-) - 0.1\text{ V} < V_{CM} < (V+)$ , $T_A = -40^\circ\text{C}$ to $+125^\circ\text{C}^{(1)}$ |                            | 110   | 132               |                            |                                      |             |
| $(V-) - 0.2\text{ V} < V_{CM} < (V+) + 0.1$ , $V_S = 5.5\text{ V}$ , $T_A = -40^\circ\text{C}$ to $+125^\circ\text{C}^{(1)}$ |                              | 130   |                            |   |                   |                            |                                      |             |
| <b>INPUT CAPACITANCE</b>   |                              |   |                            |   |                   |                            |                                      |             |
| $Z_{ID}$   | Differential                 |   |                            |   | $100 \parallel 3$ |                            | $\text{M}\Omega \parallel \text{pF}$ |             |
| $Z_{ICM}$  | Common-mode                  |   |                            |   | $60 \parallel 3$  |                            | $\text{G}\Omega \parallel \text{pF}$ |             |
| <b>OPEN-LOOP GAIN</b>  |                              |   |                            |   |                   |                            |                                      |             |
| $A_{OL}$   | Open-loop voltage gain       | $(V-) + 100\text{ mV} < V_{OUT} < (V+) - 100\text{ mV}$   |                            | OPA387, OPA2387   |                   | 135                        | 145                                  | $\text{dB}$ |
|  |                              |   |                            | OPA4387   |                   | 120                        |                                      |             |
|  |                              |   |                            | $T_A = -40^\circ\text{C}$ to $+125^\circ\text{C}^{(1)}$ |                   | 125                        |                                      |             |
|  |                              | $(V-) + 150\text{ mV} < V_{OUT} < (V+) - 150\text{ mV}$ , $R_L = 2\text{ k}\Omega$              |                            | OPA387, OPA2387   |                   | 132                        | 145                                  |             |
|  |                              |   |                            | OPA4387   |                   | 120                        |                                      |             |
|  |                              |   |                            | $T_A = -40^\circ\text{C}$ to $+125^\circ\text{C}^{(1)}$ |                   | 125                        |                                      |             |

## 6.7 Electrical Characteristics (continued)

at  $T_A = 25^\circ\text{C}$ ,  $R_L = 10\text{ k}\Omega$  connected to  $V_S / 2$ ,  $V_S = 1.7\text{ V}$  to  $5.5\text{ V}$ ,  $V_{CM} = V_S / 2$ ,  $V_{OUT} = V_S / 2$ , and min and max specification established from manufacturing final test (unless otherwise noted)

| PARAMETER                 |  | TEST CONDITIONS   | MIN  | TYP            | MAX            | UNIT             |
|---------------------------|--|---|--|----------------|----------------|------------------|
| <b>FREQUENCY RESPONSE</b> |  |   |  |                |                |                  |
| GBW                       | Gain-bandwidth product                           |   |  | 5.7            |                | MHz              |
| SR                        | Slew rate  | 4-V step, $G = +1$  |  | 2.8            |                | V/ $\mu\text{s}$ |
| $t_s$                     | Settling time                                    | To 0.1%, 1-V step, $G = +1$   |  | 1.5            |                | $\mu\text{s}$    |
|                           |  | To 0.01%, 1-V step, $G = +1$  |  | 5.5            |                |                  |
|                           | Overload recovery time                           | $V_{IN} \times G > V_S$   |  | 500            |                | ns               |
|                           | Chopping clock frequency <sup>(1)</sup>          |   | 100  | 150            |                | kHz              |
| THD+N                     | Total harmonic distortion + noise                | $V_{OUT} = 1\text{ V}_{RMS}$ , $G = +1$ , $f = 1\text{ kHz}$                          |  | 0.002 %        |                |                  |
| <b>OUTPUT</b>             |  |   |  |                |                |                  |
|                           | Voltage output swing from rail                   | No load   | OPA387, OPA2387  | 1              | 10             | mV               |
|                           |  |   | OPA4387  |                | 20             |                  |
|                           |  | $R_L = 2\text{ k}\Omega$  | OPA387, OPA2387  | 5              | 30             |                  |
|                           |  |   | OPA4387  | 20             | 60             |                  |
|                           |  |   | $T_A = -40^\circ\text{C}$ to $+125^\circ\text{C}$ <sup>(1)</sup> |                | 60             |                  |
|                           | High linearity output swing range <sup>(1)</sup> | $A_{OL} > 120\text{ dB}$  |  | $(V-) + 0.075$ | $(V+) - 0.075$ | V                |
|                           |  |   | $R_L = 2\text{ k}\Omega$   | $(V-) + 0.150$ | $(V+) - 0.150$ |                  |
| $I_{SC}$                  | Short-circuit current                            | $V_S = 5.5\text{ V}$  |  | $\pm 55$       |                | mA               |
|                           |  | $V_S = 1.7\text{ V}$  |  | $\pm 15$       |                |                  |
|                           | Phase margin                                     | $C_L = 100\text{ pF}$ , $G = +1$  |  | 40             |                | degrees          |
| $R_O$                     | Open-loop output impedance                       | $f = 1\text{ MHz}$  |  | 250            |                | $\Omega$         |
| <b>POWER SUPPLY</b>       |  |   |  |                |                |                  |
| $I_Q$                     | Quiescent current per amplifier                  | $I_O = 0\text{ mA}$   |  | 570            | 675            | $\mu\text{A}$    |
|                           |  |   | $T_A = -40^\circ\text{C}$ to $125^\circ\text{C}$ <sup>(1)</sup>  |                | 700            |                  |
|                           | Turn-on time                                     | At $V_S = 5.5\text{ V}$ , $V_S$ ramp rate $> 0.3\text{ V}/\mu\text{s}$ , settle to 1% |  | 25             | 100            | $\mu\text{s}$    |

(1) Specification established from device population bench system measurements across multiple lots.



## 6.8 Typical Characteristics

at  $T_A = 25^\circ\text{C}$ ,  $V_S = \pm 2.75\text{ V}$ ,  $V_{CM} = V_S / 2$ ,  $R_{LOAD} = 10\text{ k}\Omega$  connected to  $V_S / 2$ , and  $C_L = 50\text{ pF}$  (unless otherwise noted)

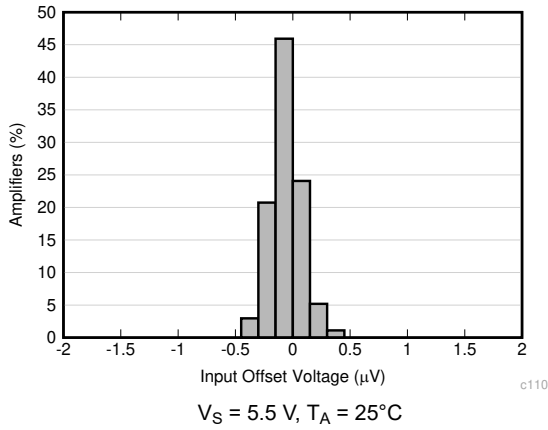


Figure 6-1. Offset Voltage Distribution

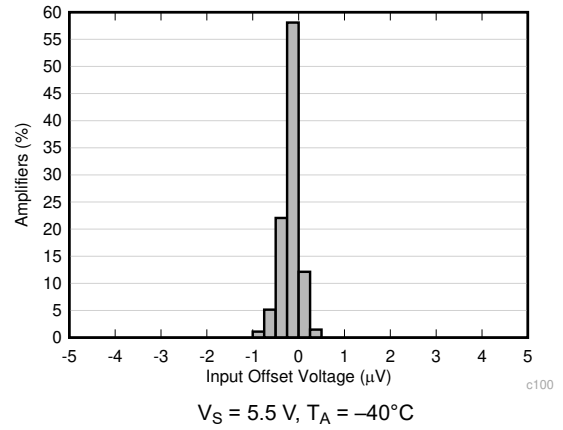


Figure 6-2. Offset Voltage Distribution

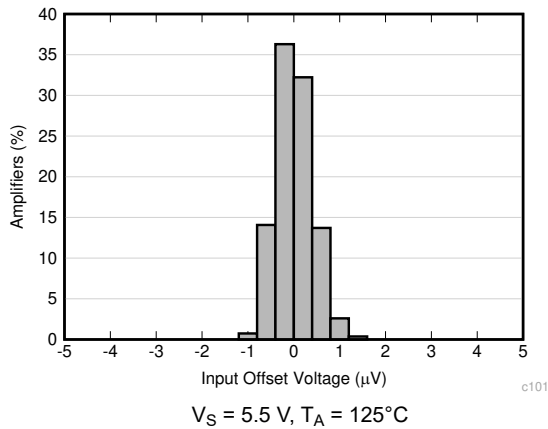


Figure 6-3. Offset Voltage Distribution

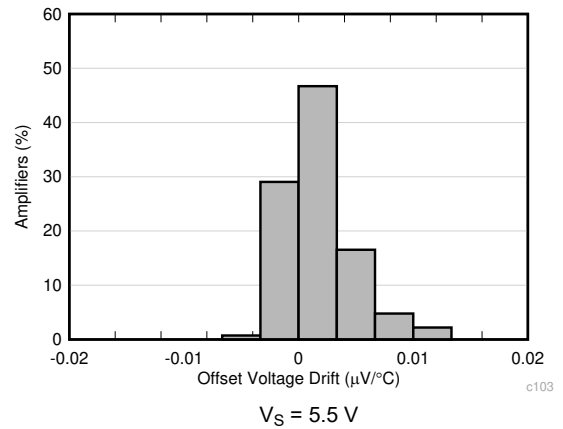


Figure 6-4. Offset Voltage Drift Distribution

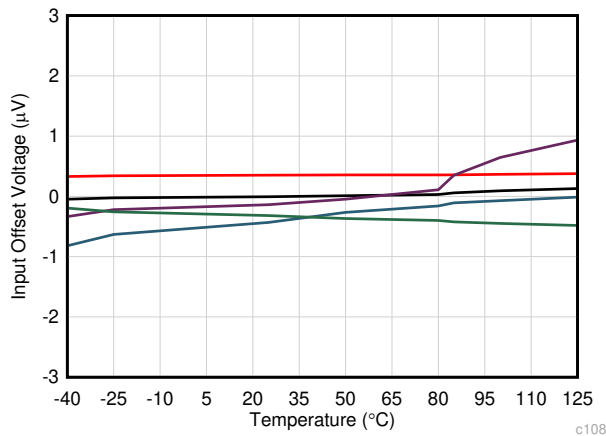


Figure 6-5. Offset Voltage vs Temperature

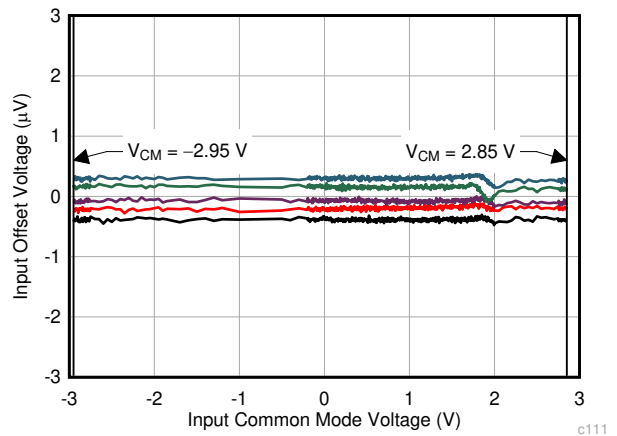


Figure 6-6. Offset Voltage vs Common-Mode Voltage

### 6.8 Typical Characteristics (continued)

at  $T_A = 25^\circ\text{C}$ ,  $V_S = \pm 2.75\text{ V}$ ,  $V_{CM} = V_S / 2$ ,  $R_{LOAD} = 10\text{ k}\Omega$  connected to  $V_S / 2$ , and  $C_L = 50\text{ pF}$  (unless otherwise noted)

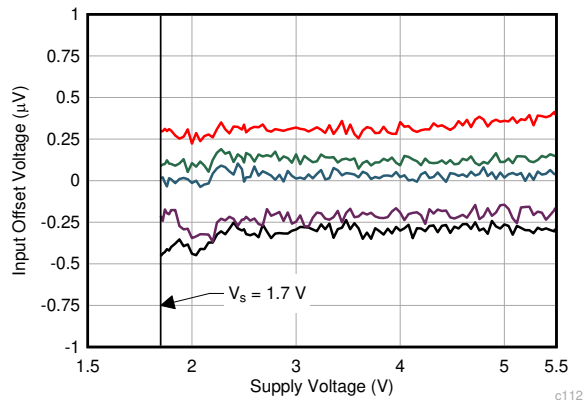


Figure 6-7. Offset Voltage vs Supply Voltage

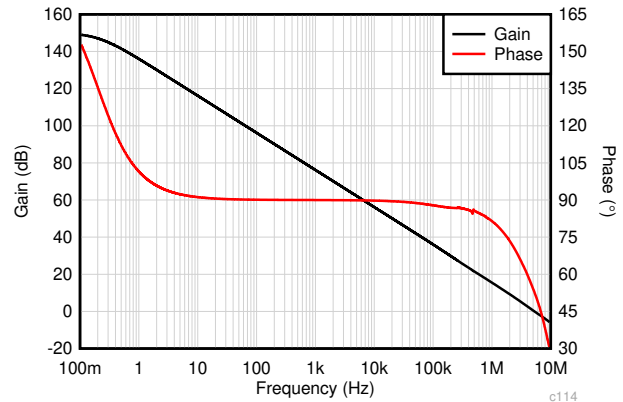


Figure 6-8. Open-Loop Gain and Phase vs Frequency

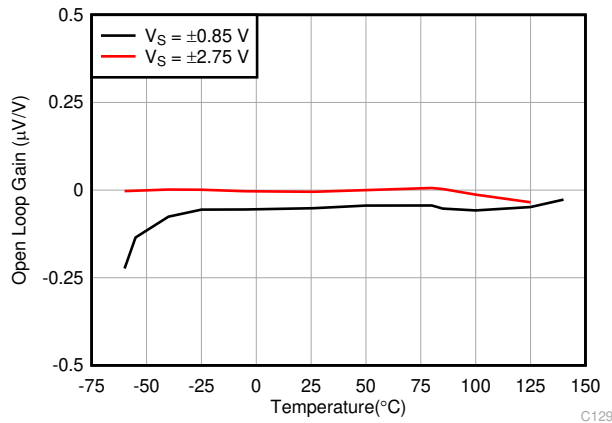


Figure 6-9. Open-Loop Gain vs Temperature

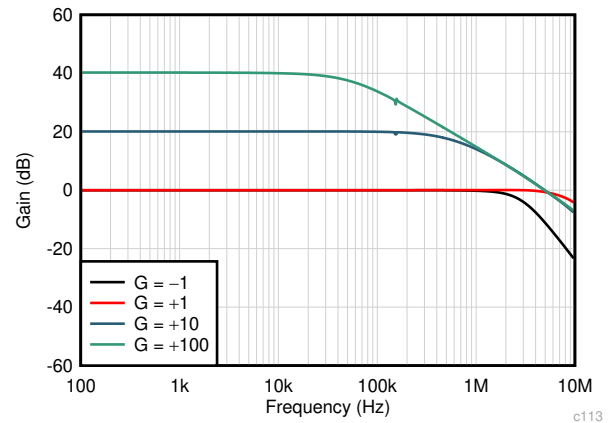


Figure 6-10. Closed-Loop Gain vs Frequency

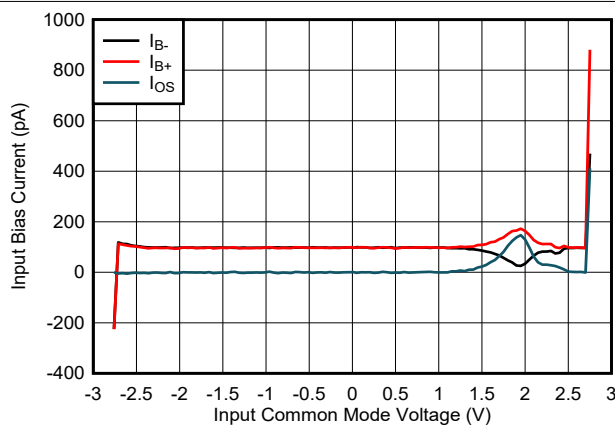


Figure 6-11. Input Bias Current vs Common-Mode Voltage

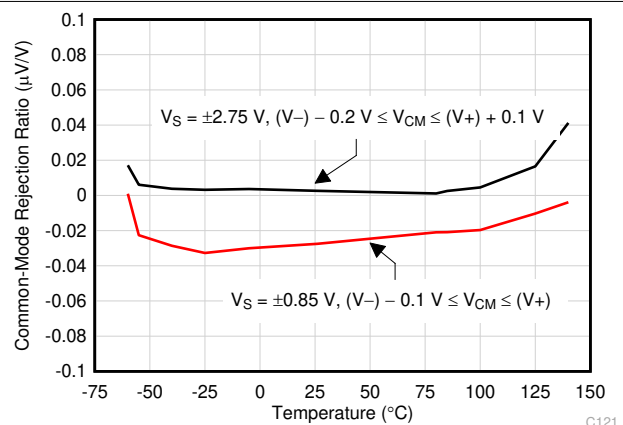


Figure 6-12. CMRR vs Temperature

### 6.8 Typical Characteristics (continued)

at  $T_A = 25^\circ\text{C}$ ,  $V_S = \pm 2.75\text{ V}$ ,  $V_{CM} = V_S / 2$ ,  $R_{LOAD} = 10\text{ k}\Omega$  connected to  $V_S / 2$ , and  $C_L = 50\text{ pF}$  (unless otherwise noted)

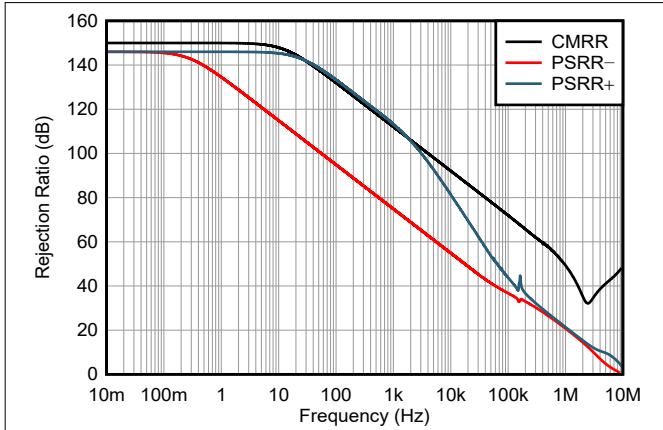


Figure 6-13. PSRR and CMRR vs Frequency

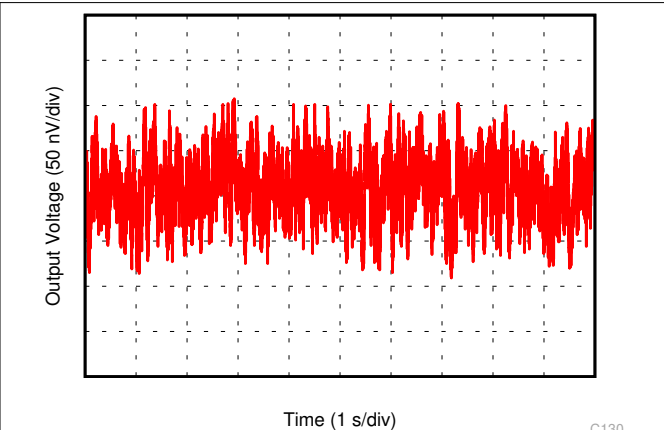


Figure 6-14. 0.1-Hz to 10-Hz Noise

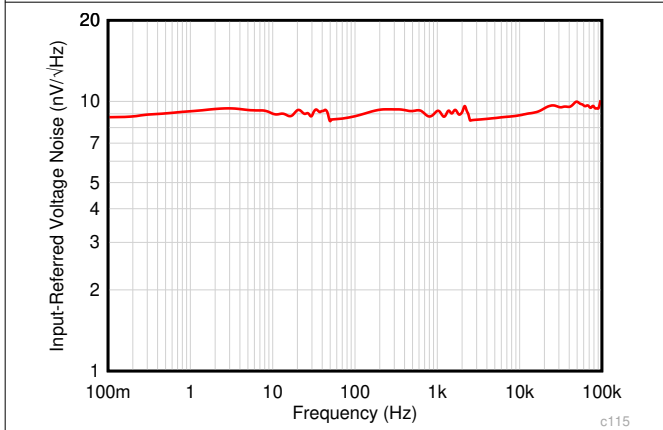


Figure 6-15. Input Voltage Noise Spectral Density vs Frequency

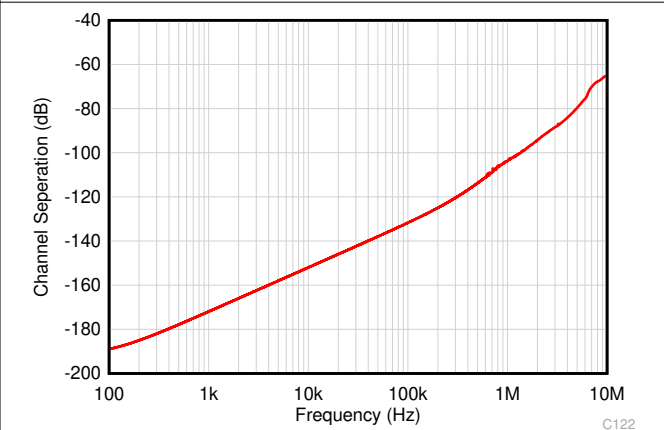


Figure 6-16. Channel-to-Channel Crosstalk

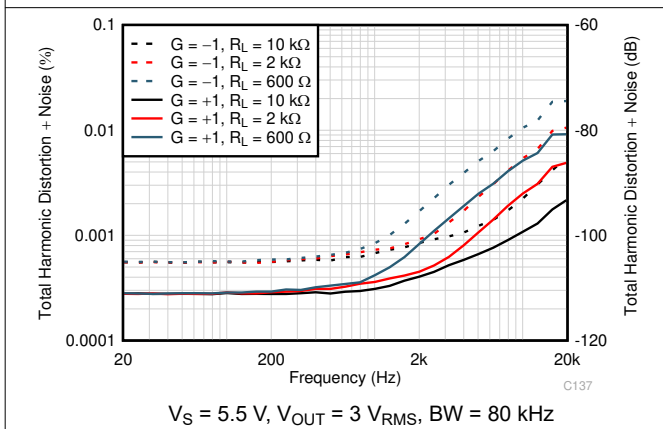


Figure 6-17. THD+N Ratio vs Frequency

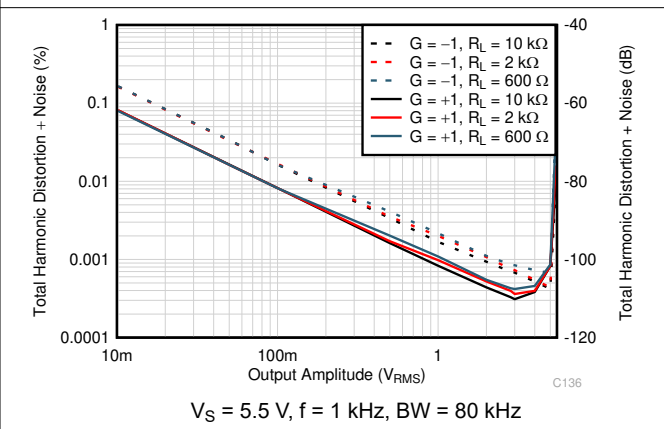


Figure 6-18. THD+N vs Output Amplitude

## 6.8 Typical Characteristics (continued)

at  $T_A = 25^\circ\text{C}$ ,  $V_S = \pm 2.75\text{ V}$ ,  $V_{CM} = V_S / 2$ ,  $R_{LOAD} = 10\text{ k}\Omega$  connected to  $V_S / 2$ , and  $C_L = 50\text{ pF}$  (unless otherwise noted)

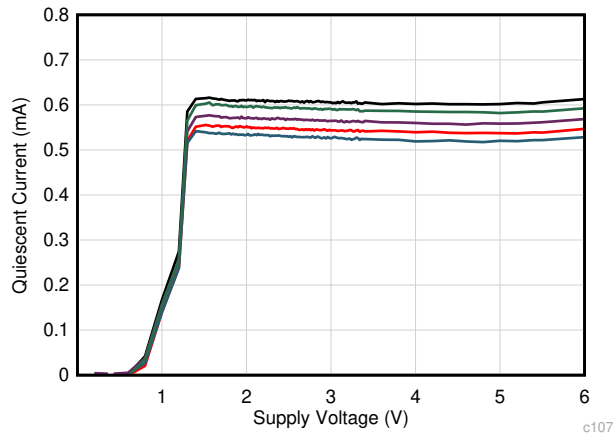


Figure 6-19. Quiescent Current vs Supply Voltage

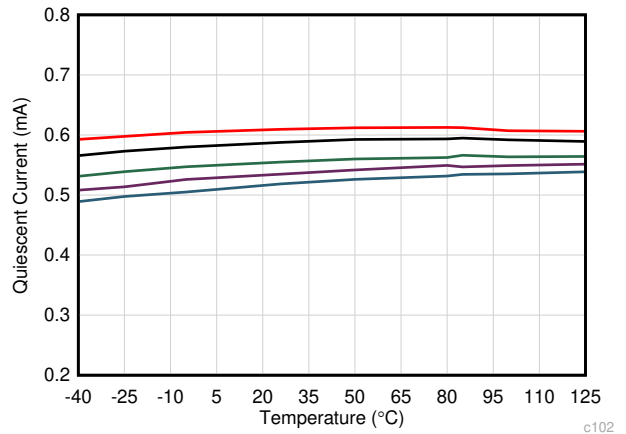


Figure 6-20. Quiescent Current vs Temperature

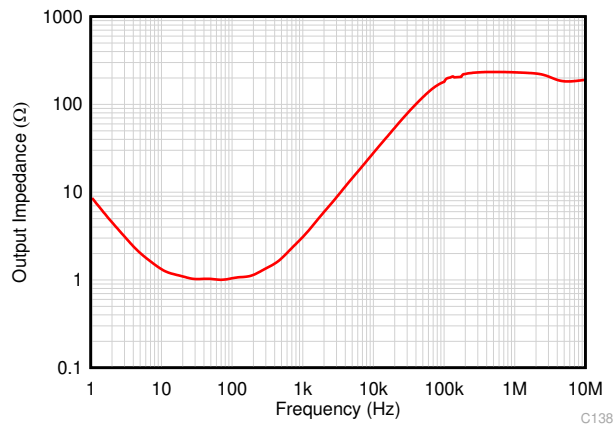


Figure 6-21. Open-Loop Output Impedance vs Frequency

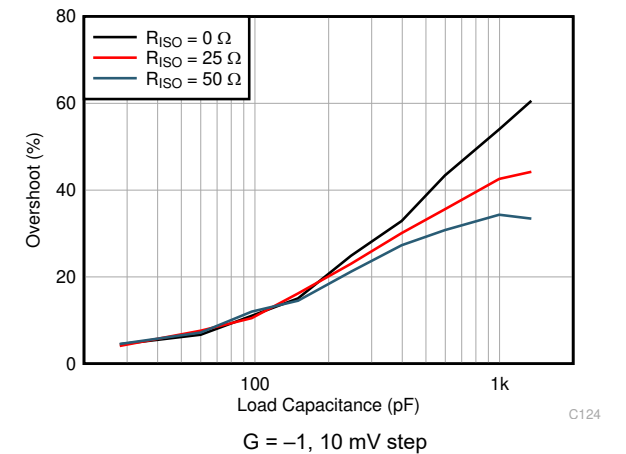


Figure 6-22. Small-Signal Overshoot vs Capacitive Load

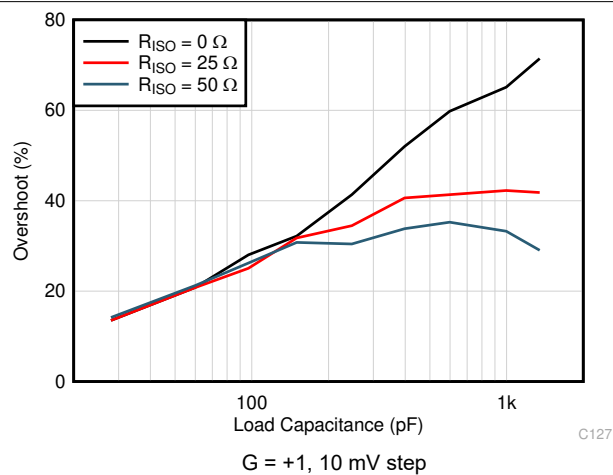


Figure 6-23. Small-Signal Overshoot vs Capacitive Load

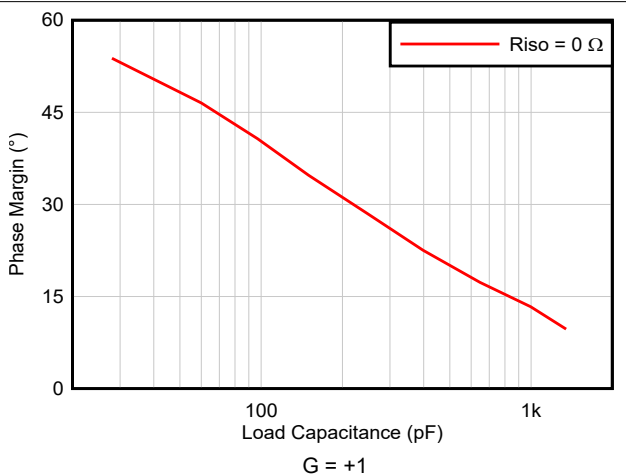
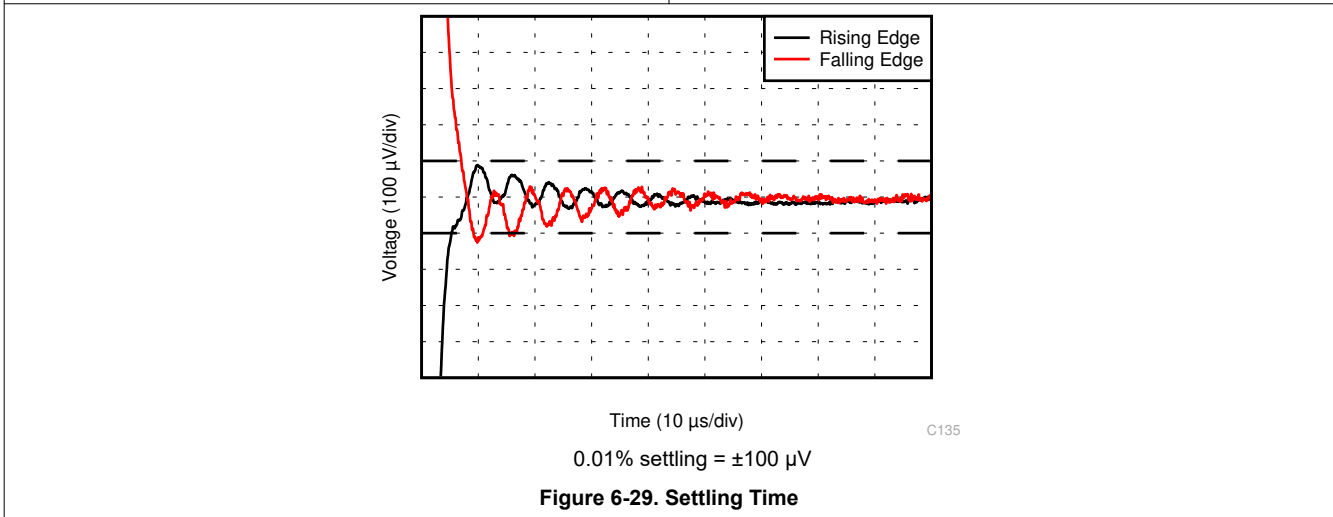
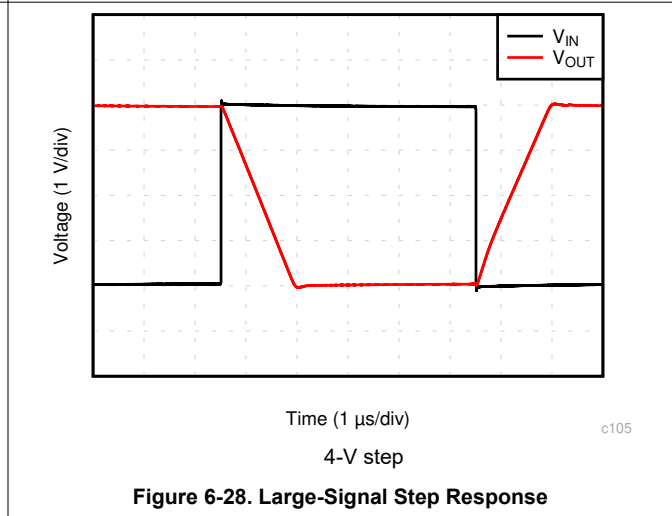
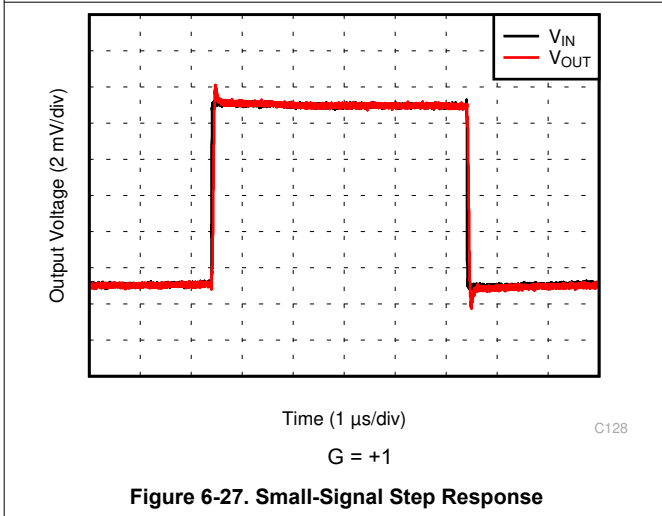
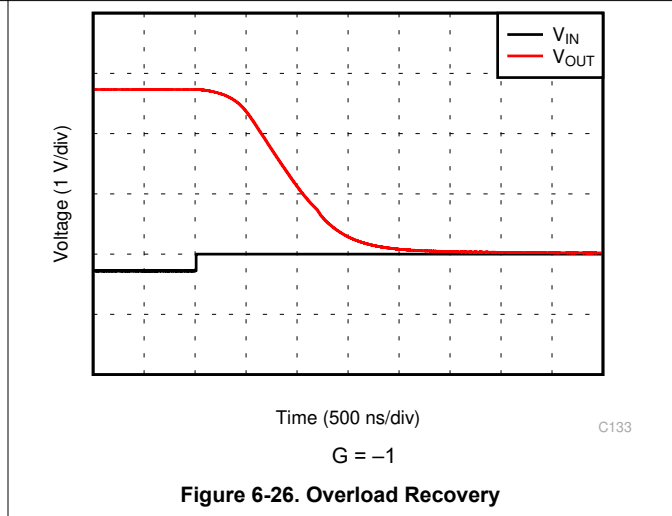
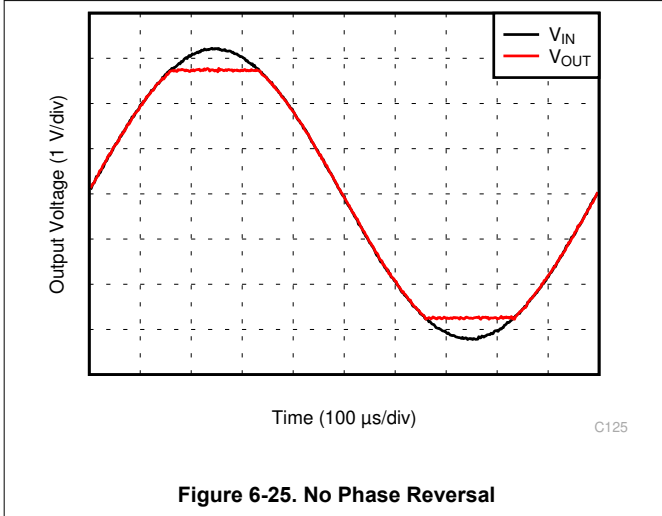


Figure 6-24. Phase Margin vs Capacitive Load

## 6.8 Typical Characteristics (continued)

at  $T_A = 25^\circ\text{C}$ ,  $V_S = \pm 2.75\text{ V}$ ,  $V_{CM} = V_S / 2$ ,  $R_{LOAD} = 10\text{ k}\Omega$  connected to  $V_S / 2$ , and  $C_L = 50\text{ pF}$  (unless otherwise noted)

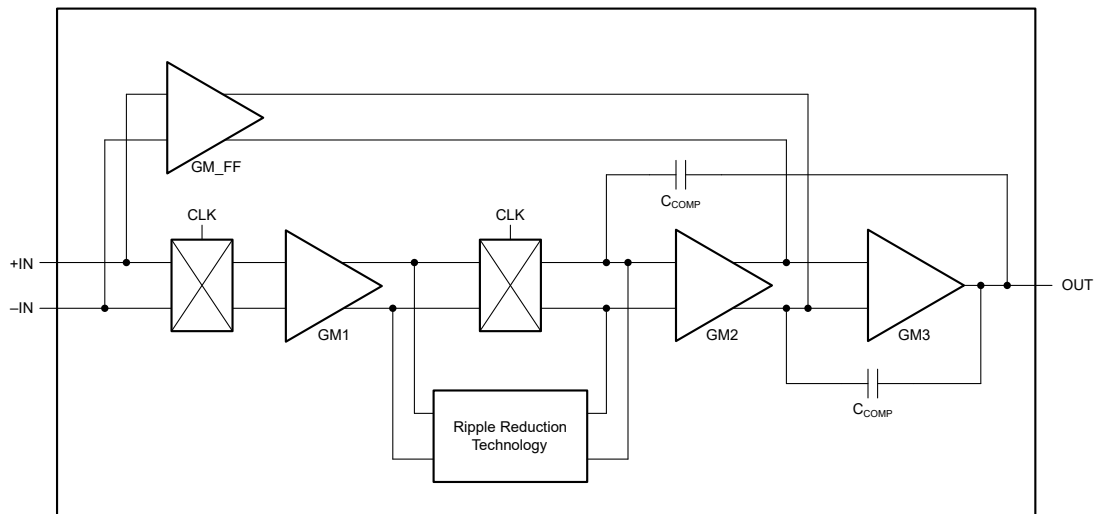


## 7 Detailed Description

### 7.1 Overview

The OPAx387 family of zero-drift amplifiers is engineered with state-of-the-art, proprietary, precision zero-drift technology. These amplifiers offer ultra-low input offset voltage and drift, and achieve excellent input and output dynamic linearity. The OPAx387 operate from 1.7 V to 5.5 V, are unity-gain stable, and are designed for a wide range of general-purpose and precision applications. The OPAx387 strengths also include a 5.7-MHz bandwidth, 8.5-nV/ $\sqrt{\text{Hz}}$  noise spectral density, and no 1/f noise, making the OPAx387 an excellent choice for interfacing with sensor modules, and buffering high-fidelity, digital-to-analog converters (DACs).

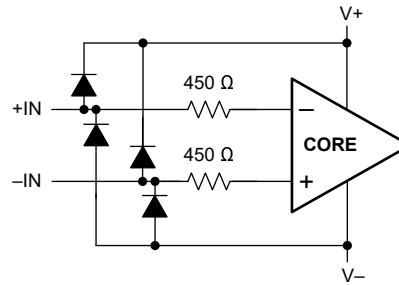
### 7.2 Functional Block Diagram



## 7.3 Feature Description

### 7.3.1 Input Bias Current

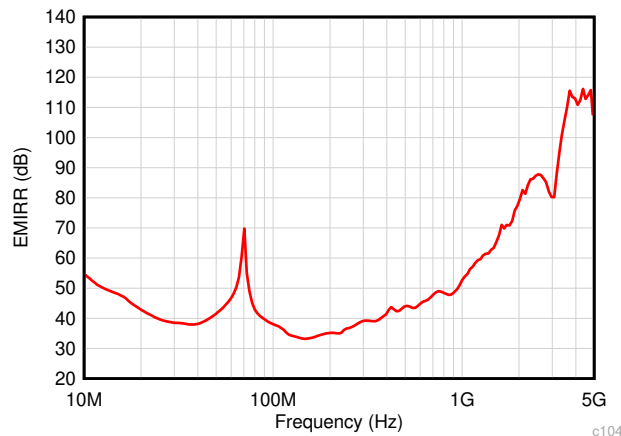
During normal operation, the typical input bias current of the OPAx387 is 30 pA. The device exhibits low drift over the full temperature range of  $-40^{\circ}\text{C}$  to  $+125^{\circ}\text{C}$ . There are no antiparallel diodes between the input pins (+IN and -IN); therefore, the differential input maximum voltage is limited only by diodes connected to the supply voltage pins. However, use caution in cases where the input differential voltage exceeds the nominal operating input differential voltage. When inputs are separated, the switching offset-cancellation path internal to the amplifier exceeds normal operating conditions, and can potentially create long settling behavior upon return to normal operation. The equivalent input circuit of OPAx387 is shown in [Figure 7-1](#).



**Figure 7-1. Equivalent Input Circuit**

### 7.3.2 EMI Susceptibility and Input Filtering

Operational amplifiers can exhibit sensitivity to electromagnetic interference (EMI). Typically, conducted EMI (that is, EMI that enters the device through conduction) is more commonly observed than radiated EMI (that is, EMI that enters the device through radiation). When conducted EMI enters the operational amplifier, the dc offset at the amplifier output can shift from the nominal value. This shift is a result of signal rectification associated with the internal semiconductor junctions. Although all operational amplifier pin functions can be affected by EMI, the input pins are likely to be the most susceptible. The OPAx387 operational amplifier family incorporates an internal input low-pass filter that reduces the amplifier response to EMI. Both common-mode and differential-mode filtering are provided by the input filter. The conducted EMI rejection of the OPAx387 is seen in [Figure 7-2](#).



**Figure 7-2. EMI Rejection Ratio**

## 7.4 Device Functional Modes

The OPAx387 have a single functional mode and are operational when the power-supply voltage is greater than 1.7 V ( $\pm 0.85$  V). The maximum specified power-supply voltage for the OPAx387 is 5.5 V ( $\pm 2.75$  V).

## 8 Application and Implementation

### Note

Information in the following applications sections is not part of the TI component specification, and TI does not warrant its accuracy or completeness. TI's customers are responsible for determining suitability of components for their purposes, as well as validating and testing their design implementation to confirm system functionality.

### 8.1 Application Information

The OPAx387 are unity-gain stable, precision, operational amplifiers featuring state-of-the-art, zero-drift technology. The use of proprietary zero-drift circuitry gives the benefit of low input offset voltage over time and temperature, as well as lower 1/f noise component. As a result of the high PSRR, the devices work well in applications that run directly from battery power without regulation. The OPAx387 family is optimized for full rail-to-rail input, allowing for low-voltage, single-supply operation or split-supply use. These miniature, high-precision, low-noise amplifiers offer high-impedance inputs that have a common-mode range 100 mV beyond the supplies without input crossover distortion, and a rail-to-rail output that swings within 5 mV of the supplies under normal test conditions. The OPAx387 precision amplifiers are designed for upstream analog signal-chain applications in low or high gains, as well as downstream signal-chain functions, such as DAC buffering.

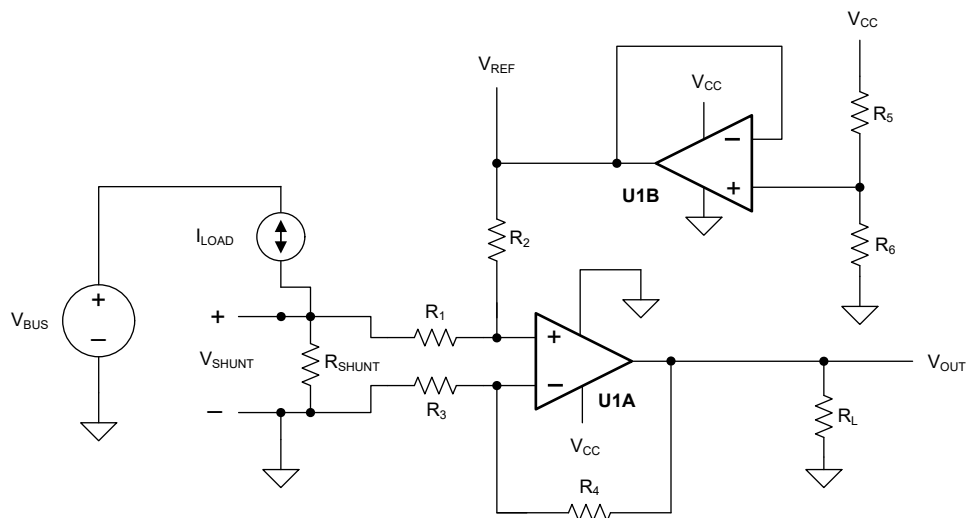
#### 8.1.1 Zero-Drift Clocking

The OPAx387 use an advanced zero-drift architecture to achieve ultra-low offset and offset drift. This architecture uses a clock and switches internally to create a dc error-correction path. The clocking is filtered internally, and typically not observable for most configurations. Take the following precautions to minimize clock noise in the signal chain. The clocking creates a small charge-injection pulse at the input of the amplifier; therefore, do not use high-value resistors ( $> 100 \text{ k}\Omega$ ) in series with the inputs to avoid higher clock voltage noise at the output. The charge injection pulses are minimized when the impedance to the input pins is matched. If higher value resistors are used, then use matching impedances on both amplifier input pins.

### 8.2 Typical Applications

#### 8.2.1 Bidirectional Current Sensing

This single-supply, low-side, bidirectional current-sensing design example detects load currents from  $-1 \text{ A}$  to  $+1 \text{ A}$ . The single-ended output spans from 110 mV to 3.19 V. This design uses the OPAx387 because of the device low offset voltage and rail-to-rail input and output. One of the amplifiers is configured as a difference amplifier and the other amplifier provides the reference voltage. [Figure 8-1](#) shows the design example schematic.



**Figure 8-1. Bidirectional Current-Sensing Schematic**



### 8.2.1.1 Design Requirements

This solution has the following requirements:

- Supply voltage: 3.3 V
- Input: –1 A to +1 A
- Output: 1.65 V ±1.54 V (110 mV to 3.19 V)

### 8.2.1.2 Detailed Design Procedure

The load current,  $I_{LOAD}$ , flows through the shunt resistor,  $R_{SHUNT}$ , to develop the shunt voltage,  $V_{SHUNT}$ . The shunt voltage is then amplified by the difference amplifier consisting of U1A and  $R_1$  through  $R_4$ . The gain of the difference amplifier is set by the ratio of  $R_4$  to  $R_3$ . To minimize errors, set  $R_2 = R_4$  and  $R_1 = R_3$ . The reference voltage,  $V_{REF}$ , is supplied by buffering a resistor divider using U1B. The transfer function is given by [Equation 1](#).

$$V_{OUT} = V_{SHUNT} \times \text{Gain}_{\text{Diff\_Amp}} + V_{REF} \quad (1)$$

where

- $V_{SHUNT} = I_{LOAD} \times R_{SHUNT}$
- $\text{Gain}_{\text{Diff\_Amp}} = \frac{R_4}{R_3}$
- $V_{REF} = V_{CC} \times \left[ \frac{R_6}{R_5 + R_6} \right]$

There are two types of errors in this design: gain and offset. Gain errors are introduced by the tolerance of the shunt resistor and the ratios of  $R_4$  to  $R_3$  and, similarly,  $R_2$  to  $R_1$ . Offset errors are introduced by the voltage divider ( $R_5$  and  $R_6$ ) and how closely the ratio of  $R_4 / R_3$  matches  $R_2 / R_1$ . The latter value affects the CMRR of the difference amplifier, ultimately translating to an offset error.

The value of  $V_{SHUNT}$  is the ground potential for the system load because  $V_{SHUNT}$  is a low-side measurement. Therefore, a maximum value must be placed on  $V_{SHUNT}$ . In this design, the maximum value for  $V_{SHUNT}$  is set to 100 mV. [Equation 2](#) calculates the maximum value of the shunt resistor given a maximum shunt voltage of 100 mV and maximum load current of 1 A.

$$R_{SHUNT(\text{Max})} = \frac{V_{SHUNT(\text{Max})}}{I_{LOAD(\text{Max})}} = \frac{100 \text{ mV}}{1 \text{ A}} = 100 \text{ m}\Omega \quad (2)$$

The tolerance of  $R_{SHUNT}$  is directly proportional to cost. For this design, a shunt resistor with a tolerance of 0.5% is selected. If greater accuracy is required, select a 0.1% resistor or better.

The load current is bidirectional; therefore, the shunt voltage range is –100 mV to +100 mV. This voltage is divided down by  $R_1$  and  $R_2$  before reaching the operational amplifier, U1A. Make sure that the voltage present at the noninverting node of U1A is within the common-mode range of the device. Use an operational amplifier, such as the OPAx387, that has a common-mode range that extends below the negative supply voltage. The offset error is minimal because the OPAx387 has a typical offset voltage of merely ±0.25 μV (±5 μV, maximum).

Given a symmetric load current of –1 A to +1 A, the voltage divider resistors,  $R_5$  and  $R_6$ , must be equal. To be consistent with the shunt resistor, a tolerance of 0.5% is selected. To minimize power consumption, 10-kΩ resistors are used.

To set the gain of the difference amplifier, the common-mode range and output swing of the OPAx387 must be considered. [Equation 3](#) and [Equation 4](#) depict the typical common-mode range and maximum output swing, respectively, of the OPAx387 given a 3.3-V supply.

$$-100 \text{ mV} < V_{CM} < 3.4 \text{ V} \quad (3)$$

$$100 \text{ mV} < V_{OUT} < 3.2 \text{ V} \quad (4)$$

The gain of the difference amplifier can now be calculated as shown in Equation 5.

$$\text{Gain}_{\text{Diff\_Amp}} = \frac{V_{\text{OUT\_Max}} - V_{\text{OUT\_Min}}}{R_{\text{SHUNT}} \times (I_{\text{MAX}} - I_{\text{MIN}})} = \frac{3.2 \text{ V} - 100 \text{ mV}}{100 \text{ m}\Omega \times [1 \text{ A} - (-1 \text{ A})]} = 15.5 \frac{\text{V}}{\text{V}} \quad (5)$$

The resistor value selected for R<sub>1</sub> and R<sub>3</sub> is 1 kΩ. 15.4 kΩ is selected for R<sub>2</sub> and R<sub>4</sub> because this number is the nearest standard value. Therefore, the ideal gain of the difference amplifier is 15.4 V/V.

The gain error of the circuit primarily depends on R<sub>1</sub> through R<sub>4</sub>. As a result of this dependence, 0.1% resistors were selected. This configuration reduces the likelihood that the design requires a two-point calibration. A simple one-point calibration, if desired, removes the offset errors introduced by the 0.5% resistors.

### 8.2.1.3 Application Curve

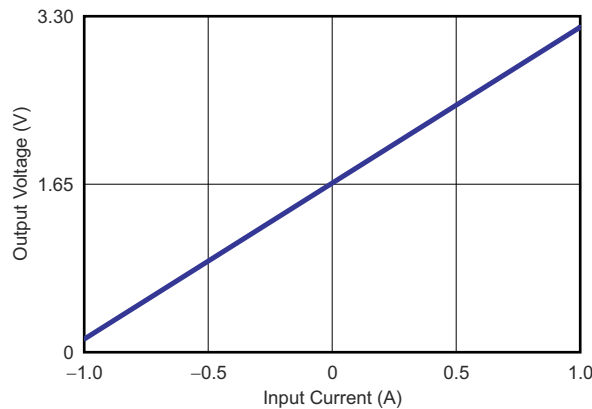


Figure 8-2. Bidirectional Current-Sensing Circuit Performance: Output Voltage vs Input Current

### 8.2.2 Load Cell Measurement

Figure 8-3 shows the OPAx387 in a high-CMRR dual-op amp instrumentation amplifier with a trim resistor and six-wire load cell for precision measurement.

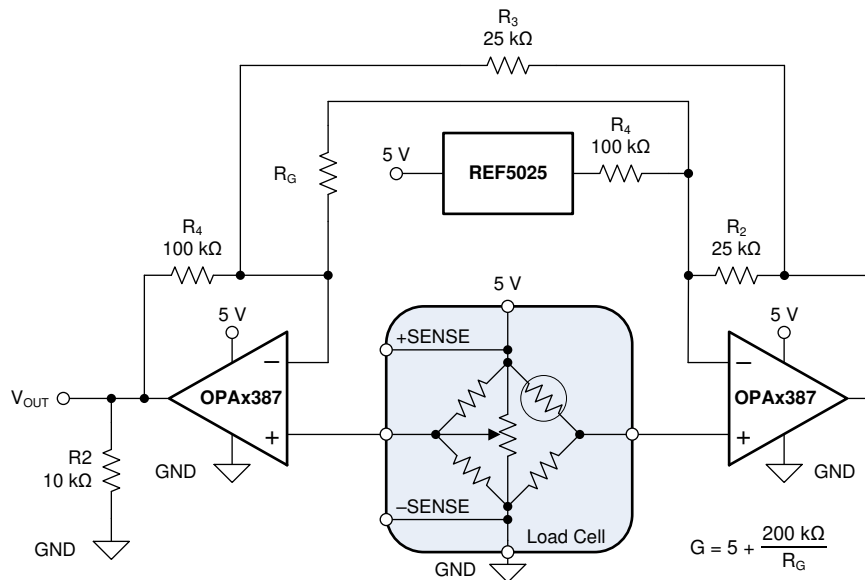


Figure 8-3. Load Cell Measurement Schematic

### 8.3 Power Supply Recommendations

The OPAx387 family of devices is specified for operation from 1.7 V to 5.5 V for single supplies, and  $\pm 0.85$  V to  $\pm 2.75$  V for dual supplies. Key parameters that can exhibit significant variance with regard to operating voltage are presented in [Section 6.8](#).

**CAUTION**  
Supply voltages greater than 6 V can permanently damage the device (see [Section 6.1](#)).

### 8.4 Layout

#### 8.4.1 Layout Guidelines

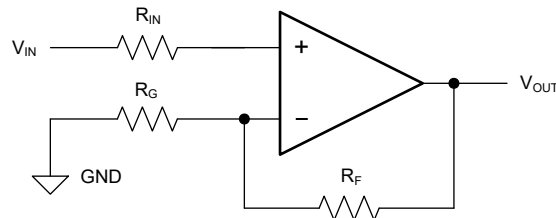
Pay attention to good layout practice. Keep traces short and, when possible, use a printed-circuit board (PCB) ground plane with surface-mount components placed as close to the device pins as possible. Place a 0.1- $\mu$ F capacitor close to the supply pins. These guidelines must be applied throughout the analog circuit to improve performance, and provide benefits such as reducing the electromagnetic interference (EMI) susceptibility.

For lowest offset voltage and precision performance, optimize circuit layout and mechanical conditions. Avoid temperature gradients that create thermoelectric (Seebeck) effects in the thermocouple junctions formed from connecting dissimilar conductors. Cancel these thermally-generated potentials by making sure that the potentials are equal on both input pins. Other layout and design considerations include:

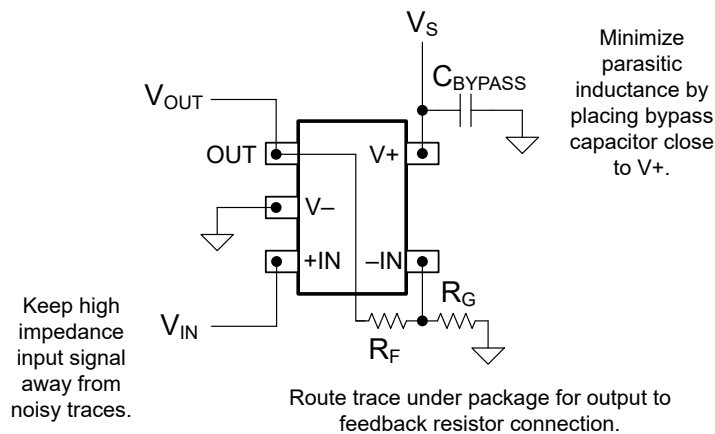
- Use low thermoelectric-coefficient conditions (avoid dissimilar metals).
- Thermally isolate components from power supplies or other heat sources.
- Shield operational amplifier and input circuitry from air currents, such as cooling fans.

Follow these guidelines to reduce the likelihood of junctions being at different temperatures, which can cause thermoelectric voltage drift of 0.1  $\mu$ V/ $^{\circ}$ C or higher depending on materials used.

#### 8.4.2 Layout Example



**Figure 8-4. Schematic Representation**



**Figure 8-5. Layout Example**

## 9 Device and Documentation Support

### 9.1 Device Support

#### 9.1.1 Development Support

##### 9.1.1.1 PSpice® for TI

PSpice® for TI is a design and simulation environment that helps evaluate performance of analog circuits. Create subsystem designs and prototype solutions before committing to layout and fabrication, reducing development cost and time to market.

##### 9.1.1.2 TINA-TI™ Simulation Software (Free Download)

TINA-TI™ simulation software is a simple, powerful, and easy-to-use circuit simulation program based on a SPICE engine. TINA-TI simulation software is a free, fully-functional version of the TINA™ software, preloaded with a library of macromodels, in addition to a range of both passive and active models. TINA-TI simulation software provides all the conventional dc, transient, and frequency domain analysis of SPICE, as well as additional design capabilities.

Available as a [free download](#) from the [Design tools and simulation](#) web page, TINA-TI simulation software offers extensive post-processing capability that allows users to format results in a variety of ways. Virtual instruments offer the ability to select input waveforms and probe circuit nodes, voltages, and waveforms, creating a dynamic quick-start tool.

---

#### Note

These files require that either the TINA software or TINA-TI software be installed. Download the free TINA-TI simulation software from the [TINA-TI™ software folder](#).

---

### 9.2 Documentation Support

#### 9.2.1 Related Documentation

For related documentation see the following: Texas Instruments, [Circuit board layout techniques](#)

### 9.3 Receiving Notification of Documentation Updates

To receive notification of documentation updates, navigate to the device product folder on [ti.com](#). Click on [Subscribe to updates](#) to register and receive a weekly digest of any product information that has changed. For change details, review the revision history included in any revised document.

### 9.4 Support Resources

[TI E2E™ support forums](#) are an engineer's go-to source for fast, verified answers and design help — straight from the experts. Search existing answers or ask your own question to get the quick design help you need.

Linked content is provided "AS IS" by the respective contributors. They do not constitute TI specifications and do not necessarily reflect TI's views; see TI's [Terms of Use](#).

### 9.5 Trademarks

TINA-TI™ and TI E2E™ are trademarks of Texas Instruments.

TINA™ is a trademark of DesignSoft, Inc.

PSpice® is a registered trademark of Cadence Design Systems, Inc.

All trademarks are the property of their respective owners.

### 9.6 Electrostatic Discharge Caution



This integrated circuit can be damaged by ESD. Texas Instruments recommends that all integrated circuits be handled with appropriate precautions. Failure to observe proper handling and installation procedures can cause damage.

ESD damage can range from subtle performance degradation to complete device failure. Precision integrated circuits may be more susceptible to damage because very small parametric changes could cause the device not to meet its published specifications.

## 9.7 Glossary

[TI Glossary](#) This glossary lists and explains terms, acronyms, and definitions.

## 10 Mechanical, Packaging, and Orderable Information

The following pages include mechanical packaging and orderable information. This information is the most current data available for the designated devices. This data is subject to change without notice and revision of this document. For browser-based versions of this data sheet, refer to the left-hand navigation.

**PACKAGING INFORMATION**

| Orderable part number       | Status<br>(1) | Material type<br>(2) | Package   Pins   | Package qty   Carrier | RoHS<br>(3) | Lead finish/<br>Ball material<br>(4) | MSL rating/<br>Peak reflow<br>(5) | Op temp (°C) | Part marking<br>(6) |
|-----------------------------|---------------|----------------------|------------------|-----------------------|-------------|--------------------------------------|-----------------------------------|--------------|---------------------|
| <a href="#">OPA2387DGKR</a> | Active        | Production           | VSSOP (DGK)   8  | 2500   LARGE T&R      | Yes         | SN                                   | Level-2-260C-1 YEAR               | -40 to 125   | 2B2T                |
| OPA2387DGKR.A               | Active        | Production           | VSSOP (DGK)   8  | 2500   LARGE T&R      | Yes         | SN                                   | Level-2-260C-1 YEAR               | -40 to 125   | 2B2T                |
| <a href="#">OPA2387DGKT</a> | Active        | Production           | VSSOP (DGK)   8  | 250   SMALL T&R       | Yes         | SN                                   | Level-2-260C-1 YEAR               | -40 to 125   | 2B2T                |
| OPA2387DGKT.A               | Active        | Production           | VSSOP (DGK)   8  | 250   SMALL T&R       | Yes         | SN                                   | Level-2-260C-1 YEAR               | -40 to 125   | 2B2T                |
| <a href="#">OPA2387DR</a>   | Active        | Production           | SOIC (D)   8     | 3000   LARGE T&R      | Yes         | NIPDAU                               | Level-1-260C-UNLIM                | -40 to 125   | OP2387              |
| OPA2387DR.A                 | Active        | Production           | SOIC (D)   8     | 3000   LARGE T&R      | Yes         | NIPDAU                               | Level-1-260C-UNLIM                | -40 to 125   | OP2387              |
| <a href="#">OPA2387DSGR</a> | Active        | Production           | WSON (DSG)   8   | 3000   LARGE T&R      | Yes         | NIPDAU                               | Level-1-260C-UNLIM                | -40 to 125   | 2N3H                |
| OPA2387DSGR.A               | Active        | Production           | WSON (DSG)   8   | 3000   LARGE T&R      | Yes         | NIPDAU                               | Level-1-260C-UNLIM                | -40 to 125   | 2N3H                |
| <a href="#">OPA2387DSGT</a> | Active        | Production           | WSON (DSG)   8   | 250   SMALL T&R       | Yes         | NIPDAU                               | Level-1-260C-UNLIM                | -40 to 125   | 2N3H                |
| OPA2387DSGT.A               | Active        | Production           | WSON (DSG)   8   | 250   SMALL T&R       | Yes         | NIPDAU                               | Level-1-260C-UNLIM                | -40 to 125   | 2N3H                |
| <a href="#">OPA387DBVR</a>  | Active        | Production           | SOT-23 (DBV)   5 | 3000   LARGE T&R      | Yes         | SN                                   | Level-2-260C-1 YEAR               | -40 to 125   | 2IMT                |
| OPA387DBVR.A                | Active        | Production           | SOT-23 (DBV)   5 | 3000   LARGE T&R      | Yes         | SN                                   | Level-2-260C-1 YEAR               | -40 to 125   | 2IMT                |
| <a href="#">OPA387DBVT</a>  | Active        | Production           | SOT-23 (DBV)   5 | 250   SMALL T&R       | Yes         | SN                                   | Level-2-260C-1 YEAR               | -40 to 125   | 2IMT                |
| OPA387DBVT.A                | Active        | Production           | SOT-23 (DBV)   5 | 250   SMALL T&R       | Yes         | SN                                   | Level-2-260C-1 YEAR               | -40 to 125   | 2IMT                |
| <a href="#">OPA4387PWR</a>  | Active        | Production           | TSSOP (PW)   14  | 3000   LARGE T&R      | Yes         | SN                                   | Level-2-260C-1 YEAR               | -40 to 125   | OPA4387             |
| OPA4387PWR.A                | Active        | Production           | TSSOP (PW)   14  | 3000   LARGE T&R      | Yes         | SN                                   | Level-2-260C-1 YEAR               | -40 to 125   | OPA4387             |
| <a href="#">OPA4387PWT</a>  | Active        | Production           | TSSOP (PW)   14  | 250   SMALL T&R       | Yes         | SN                                   | Level-2-260C-1 YEAR               | -40 to 125   | OPA4387             |
| OPA4387PWT.A                | Active        | Production           | TSSOP (PW)   14  | 250   SMALL T&R       | Yes         | SN                                   | Level-2-260C-1 YEAR               | -40 to 125   | OPA4387             |

(1) **Status:** For more details on status, see our [product life cycle](#).

(2) **Material type:** When designated, preproduction parts are prototypes/experimental devices, and are not yet approved or released for full production. Testing and final process, including without limitation quality assurance, reliability performance testing, and/or process qualification, may not yet be complete, and this item is subject to further changes or possible discontinuation. If available for ordering, purchases will be subject to an additional waiver at checkout, and are intended for early internal evaluation purposes only. These items are sold without warranties of any kind.

(3) **RoHS values:** Yes, No, RoHS Exempt. See the [TI RoHS Statement](#) for additional information and value definition.

(4) **Lead finish/Ball material:** Parts may have multiple material finish options. Finish options are separated by a vertical ruled line. Lead finish/Ball material values may wrap to two lines if the finish value exceeds the maximum column width.

(5) **MSL rating/Peak reflow:** The moisture sensitivity level ratings and peak solder (reflow) temperatures. In the event that a part has multiple moisture sensitivity ratings, only the lowest level per JEDEC standards is shown. Refer to the shipping label for the actual reflow temperature that will be used to mount the part to the printed circuit board.

(6) **Part marking:** There may be an additional marking, which relates to the logo, the lot trace code information, or the environmental category of the part.

Multiple part markings will be inside parentheses. Only one part marking contained in parentheses and separated by a "~" will appear on a part. If a line is indented then it is a continuation of the previous line and the two combined represent the entire part marking for that device.

**Important Information and Disclaimer:**The information provided on this page represents TI's knowledge and belief as of the date that it is provided. TI bases its knowledge and belief on information provided by third parties, and makes no representation or warranty as to the accuracy of such information. Efforts are underway to better integrate information from third parties. TI has taken and continues to take reasonable steps to provide representative and accurate information but may not have conducted destructive testing or chemical analysis on incoming materials and chemicals. TI and TI suppliers consider certain information to be proprietary, and thus CAS numbers and other limited information may not be available for release.

In no event shall TI's liability arising out of such information exceed the total purchase price of the TI part(s) at issue in this document sold by TI to Customer on an annual basis.

**TAPE AND REEL INFORMATION**

**QUADRANT ASSIGNMENTS FOR PIN 1 ORIENTATION IN TAPE**


\*All dimensions are nominal

| Device      | Package Type | Package Drawing | Pins | SPQ  | Reel Diameter (mm) | Reel Width W1 (mm) | A0 (mm) | B0 (mm) | K0 (mm) | P1 (mm) | W (mm) | Pin1 Quadrant |
|-------------|--------------|-----------------|------|------|--------------------|--------------------|---------|---------|---------|---------|--------|---------------|
| OPA2387DGKR | VSSOP        | DGK             | 8    | 2500 | 330.0              | 12.4               | 5.25    | 3.35    | 1.25    | 8.0     | 12.0   | Q1            |
| OPA2387DGKT | VSSOP        | DGK             | 8    | 250  | 330.0              | 12.4               | 5.25    | 3.35    | 1.25    | 8.0     | 12.0   | Q1            |
| OPA2387DR   | SOIC         | D               | 8    | 3000 | 330.0              | 12.4               | 6.4     | 5.2     | 2.1     | 8.0     | 12.0   | Q1            |
| OPA2387DSGR | WSON         | DSG             | 8    | 3000 | 180.0              | 8.4                | 2.3     | 2.3     | 1.15    | 4.0     | 8.0    | Q2            |
| OPA2387DSGT | WSON         | DSG             | 8    | 250  | 180.0              | 8.4                | 2.3     | 2.3     | 1.15    | 4.0     | 8.0    | Q2            |
| OPA387DBVR  | SOT-23       | DBV             | 5    | 3000 | 178.0              | 9.0                | 3.3     | 3.2     | 1.4     | 4.0     | 8.0    | Q3            |
| OPA387DBVT  | SOT-23       | DBV             | 5    | 250  | 178.0              | 9.0                | 3.3     | 3.2     | 1.4     | 4.0     | 8.0    | Q3            |
| OPA4387PWR  | TSSOP        | PW              | 14   | 3000 | 330.0              | 12.4               | 6.9     | 5.6     | 1.6     | 8.0     | 12.0   | Q1            |
| OPA4387PWT  | TSSOP        | PW              | 14   | 250  | 180.0              | 12.4               | 6.9     | 5.6     | 1.6     | 8.0     | 12.0   | Q1            |



**TAPE AND REEL BOX DIMENSIONS**


\*All dimensions are nominal

| Device      | Package Type | Package Drawing | Pins | SPQ  | Length (mm) | Width (mm) | Height (mm) |
|-------------|--------------|-----------------|------|------|-------------|------------|-------------|
| OPA2387DGKR | VSSOP        | DGK             | 8    | 2500 | 366.0       | 364.0      | 50.0        |
| OPA2387DGKT | VSSOP        | DGK             | 8    | 250  | 366.0       | 364.0      | 50.0        |
| OPA2387DR   | SOIC         | D               | 8    | 3000 | 353.0       | 353.0      | 32.0        |
| OPA2387DSGR | WSON         | DSG             | 8    | 3000 | 210.0       | 185.0      | 35.0        |
| OPA2387DSGT | WSON         | DSG             | 8    | 250  | 210.0       | 185.0      | 35.0        |
| OPA387DBVR  | SOT-23       | DBV             | 5    | 3000 | 190.0       | 190.0      | 30.0        |
| OPA387DBVT  | SOT-23       | DBV             | 5    | 250  | 190.0       | 190.0      | 30.0        |
| OPA4387PWR  | TSSOP        | PW              | 14   | 3000 | 353.0       | 353.0      | 32.0        |
| OPA4387PWT  | TSSOP        | PW              | 14   | 250  | 213.0       | 191.0      | 35.0        |



# EXAMPLE BOARD LAYOUT

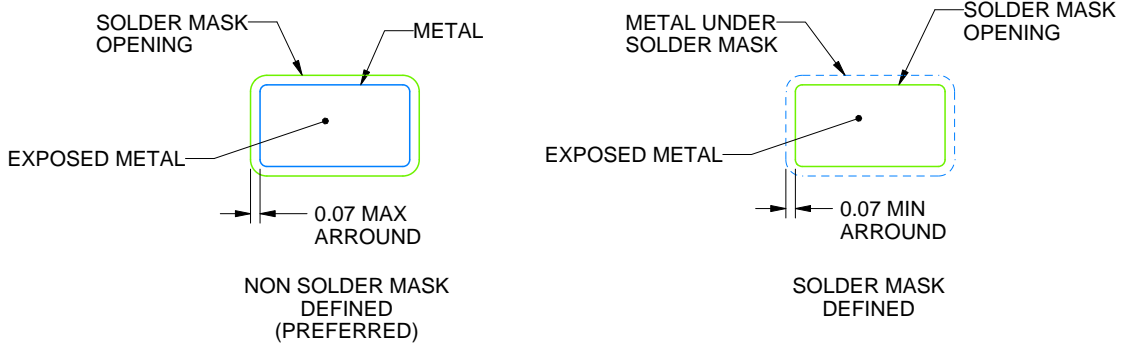
DBV0005A

SOT-23 - 1.45 mm max height

SMALL OUTLINE TRANSISTOR



LAND PATTERN EXAMPLE  
EXPOSED METAL SHOWN  
SCALE:15X



SOLDER MASK DETAILS

4214839/K 08/2024

NOTES: (continued)

- 6. Publication IPC-7351 may have alternate designs.
- 7. Solder mask tolerances between and around signal pads can vary based on board fabrication site.

# EXAMPLE STENCIL DESIGN

DBV0005A

SOT-23 - 1.45 mm max height

SMALL OUTLINE TRANSISTOR



SOLDER PASTE EXAMPLE  
BASED ON 0.125 mm THICK STENCIL  
SCALE:15X

4214839/K 08/2024

NOTES: (continued)

8. Laser cutting apertures with trapezoidal walls and rounded corners may offer better paste release. IPC-7525 may have alternate design recommendations.
9. Board assembly site may have different recommendations for stencil design.

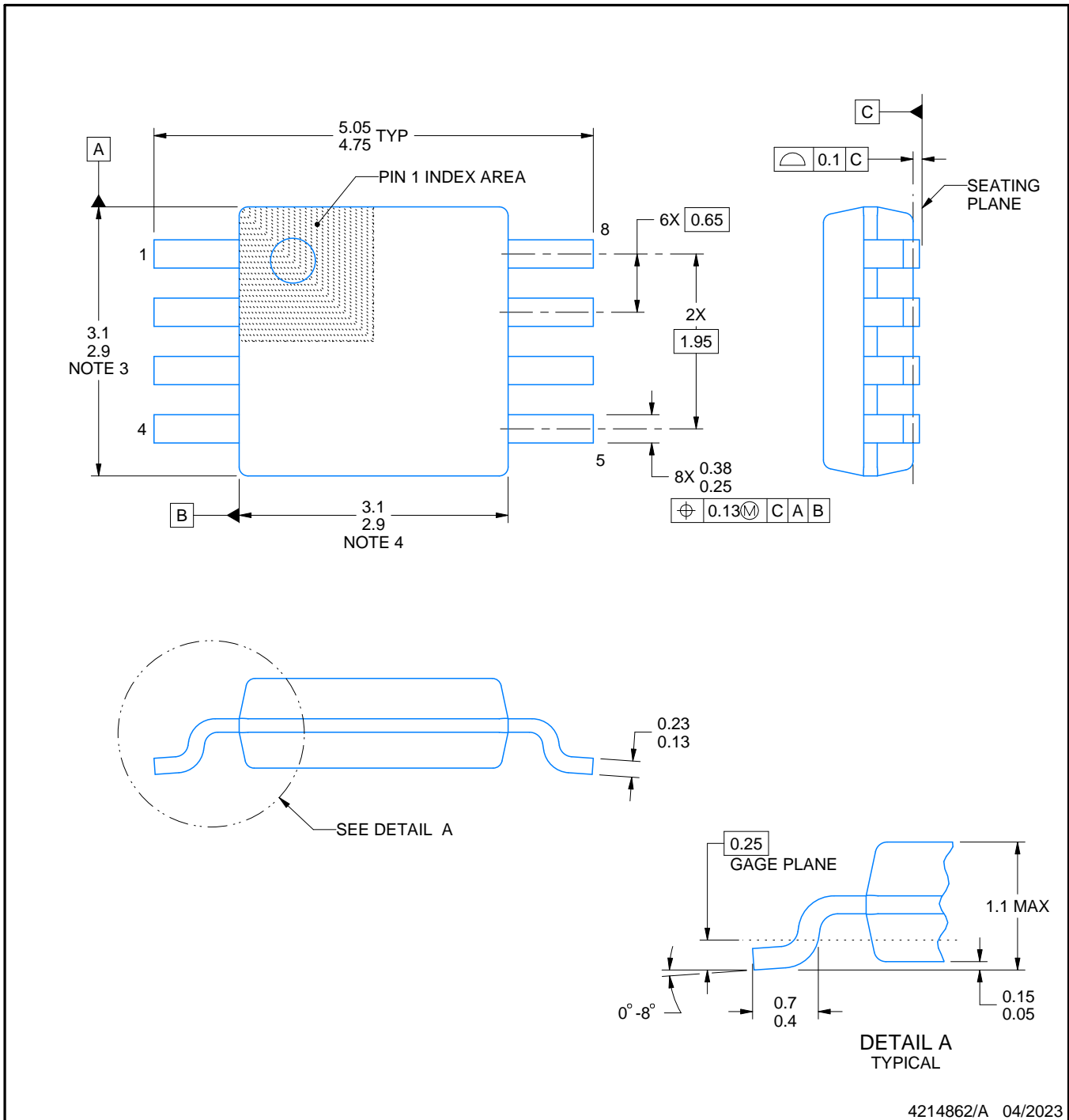
# DGK0008A



# PACKAGE OUTLINE

## VSSOP - 1.1 mm max height

SMALL OUTLINE PACKAGE



4214862/A 04/2023

**NOTES:**

PowerPAD is a trademark of Texas Instruments.

1. All linear dimensions are in millimeters. Any dimensions in parenthesis are for reference only. Dimensioning and tolerancing per ASME Y14.5M.
2. This drawing is subject to change without notice.
3. This dimension does not include mold flash, protrusions, or gate burrs. Mold flash, protrusions, or gate burrs shall not exceed 0.15 mm per side.
4. This dimension does not include interlead flash. Interlead flash shall not exceed 0.25 mm per side.
5. Reference JEDEC registration MO-187.

# EXAMPLE BOARD LAYOUT

DGK0008A

™ VSSOP - 1.1 mm max height

SMALL OUTLINE PACKAGE



LAND PATTERN EXAMPLE  
EXPOSED METAL SHOWN  
SCALE: 15X



SOLDER MASK DETAILS

4214862/A 04/2023

NOTES: (continued)

6. Publication IPC-7351 may have alternate designs.
7. Solder mask tolerances between and around signal pads can vary based on board fabrication site.
8. Vias are optional depending on application, refer to device data sheet. If any vias are implemented, refer to their locations shown on this view. It is recommended that vias under paste be filled, plugged or tented.
9. Size of metal pad may vary due to creepage requirement.

# EXAMPLE STENCIL DESIGN

DGK0008A

<sup>TM</sup> VSSOP - 1.1 mm max height

SMALL OUTLINE PACKAGE



SOLDER PASTE EXAMPLE  
SCALE: 15X

4214862/A 04/2023

NOTES: (continued)

11. Laser cutting apertures with trapezoidal walls and rounded corners may offer better paste release. IPC-7525 may have alternate design recommendations.
12. Board assembly site may have different recommendations for stencil design.



D0008A

# PACKAGE OUTLINE

SOIC - 1.75 mm max height

SMALL OUTLINE INTEGRATED CIRCUIT



4214825/C 02/2019

NOTES:

1. Linear dimensions are in inches [millimeters]. Dimensions in parenthesis are for reference only. Controlling dimensions are in inches. Dimensioning and tolerancing per ASME Y14.5M.
2. This drawing is subject to change without notice.
3. This dimension does not include mold flash, protrusions, or gate burrs. Mold flash, protrusions, or gate burrs shall not exceed .006 [0.15] per side.
4. This dimension does not include interlead flash.
5. Reference JEDEC registration MS-012, variation AA.



# EXAMPLE BOARD LAYOUT

D0008A

SOIC - 1.75 mm max height

SMALL OUTLINE INTEGRATED CIRCUIT



LAND PATTERN EXAMPLE  
EXPOSED METAL SHOWN  
SCALE:8X



SOLDER MASK DETAILS

4214825/C 02/2019

NOTES: (continued)

6. Publication IPC-7351 may have alternate designs.

7. Solder mask tolerances between and around signal pads can vary based on board fabrication site.

# EXAMPLE STENCIL DESIGN

D0008A

SOIC - 1.75 mm max height

SMALL OUTLINE INTEGRATED CIRCUIT



SOLDER PASTE EXAMPLE  
BASED ON .005 INCH [0.125 MM] THICK STENCIL  
SCALE:8X

4214825/C 02/2019

NOTES: (continued)

8. Laser cutting apertures with trapezoidal walls and rounded corners may offer better paste release. IPC-7525 may have alternate design recommendations.
9. Board assembly site may have different recommendations for stencil design.

## GENERIC PACKAGE VIEW

**DSG 8**

**WSON - 0.8 mm max height**

2 x 2, 0.5 mm pitch

PLASTIC SMALL OUTLINE - NO LEAD

This image is a representation of the package family, actual package may vary.  
Refer to the product data sheet for package details.



4224783/A

# DSG0008A



# PACKAGE OUTLINE

## WSON - 0.8 mm max height

PLASTIC SMALL OUTLINE - NO LEAD



ALTERNATIVE TERMINAL SHAPE TYPICAL



| SIDE WALL METAL THICKNESS DIM A |          |
|---------------------------------|----------|
| OPTION 1                        | OPTION 2 |
| 0.1                             | 0.2      |



4218900/E 08/2022

### NOTES:

1. All linear dimensions are in millimeters. Any dimensions in parenthesis are for reference only. Dimensioning and tolerancing per ASME Y14.5M.
2. This drawing is subject to change without notice.
3. The package thermal pad must be soldered to the printed circuit board for thermal and mechanical performance.

# EXAMPLE BOARD LAYOUT

DSG0008A

WSON - 0.8 mm max height

PLASTIC SMALL OUTLINE - NO LEAD



LAND PATTERN EXAMPLE  
SCALE:20X



SOLDER MASK DETAILS

4218900/E 08/2022

NOTES: (continued)

4. This package is designed to be soldered to a thermal pad on the board. For more information, see Texas Instruments literature number SLUA271 ([www.ti.com/lit/slua271](http://www.ti.com/lit/slua271)).
5. Vias are optional depending on application, refer to device data sheet. If any vias are implemented, refer to their locations shown on this view. It is recommended that vias under paste be filled, plugged or tented.

# EXAMPLE STENCIL DESIGN

DSG0008A

WSON - 0.8 mm max height

PLASTIC SMALL OUTLINE - NO LEAD



SOLDER PASTE EXAMPLE  
BASED ON 0.125 mm THICK STENCIL

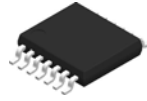
EXPOSED PAD 9:  
87% PRINTED SOLDER COVERAGE BY AREA UNDER PACKAGE  
SCALE:25X

4218900/E 08/2022

NOTES: (continued)

6. Laser cutting apertures with trapezoidal walls and rounded corners may offer better paste release. IPC-7525 may have alternate design recommendations.

PW0014A



# PACKAGE OUTLINE

## TSSOP - 1.2 mm max height

SMALL OUTLINE PACKAGE



4220202/B 12/2023

### NOTES:

1. All linear dimensions are in millimeters. Any dimensions in parenthesis are for reference only. Dimensioning and tolerancing per ASME Y14.5M.
2. This drawing is subject to change without notice.
3. This dimension does not include mold flash, protrusions, or gate burrs. Mold flash, protrusions, or gate burrs shall not exceed 0.15 mm per side.
4. This dimension does not include interlead flash. Interlead flash shall not exceed 0.25 mm per side.
5. Reference JEDEC registration MO-153.

# EXAMPLE BOARD LAYOUT

PW0014A

TSSOP - 1.2 mm max height

SMALL OUTLINE PACKAGE



LAND PATTERN EXAMPLE  
EXPOSED METAL SHOWN  
SCALE: 10X



4220202/B 12/2023

NOTES: (continued)

6. Publication IPC-7351 may have alternate designs.
7. Solder mask tolerances between and around signal pads can vary based on board fabrication site.



# EXAMPLE STENCIL DESIGN

PW0014A

TSSOP - 1.2 mm max height

SMALL OUTLINE PACKAGE



SOLDER PASTE EXAMPLE  
BASED ON 0.125 mm THICK STENCIL  
SCALE: 10X

4220202/B 12/2023

NOTES: (continued)

8. Laser cutting apertures with trapezoidal walls and rounded corners may offer better paste release. IPC-7525 may have alternate design recommendations.
9. Board assembly site may have different recommendations for stencil design.

## IMPORTANT NOTICE AND DISCLAIMER

TI PROVIDES TECHNICAL AND RELIABILITY DATA (INCLUDING DATASHEETS), DESIGN RESOURCES (INCLUDING REFERENCE DESIGNS), APPLICATION OR OTHER DESIGN ADVICE, WEB TOOLS, SAFETY INFORMATION, AND OTHER RESOURCES "AS IS" AND WITH ALL FAULTS, AND DISCLAIMS ALL WARRANTIES, EXPRESS AND IMPLIED, INCLUDING WITHOUT LIMITATION ANY IMPLIED WARRANTIES OF MERCHANTABILITY, FITNESS FOR A PARTICULAR PURPOSE OR NON-INFRINGEMENT OF THIRD PARTY INTELLECTUAL PROPERTY RIGHTS.

These resources are intended for skilled developers designing with TI products. You are solely responsible for (1) selecting the appropriate TI products for your application, (2) designing, validating and testing your application, and (3) ensuring your application meets applicable standards, and any other safety, security, regulatory or other requirements.

These resources are subject to change without notice. TI grants you permission to use these resources only for development of an application that uses the TI products described in the resource. Other reproduction and display of these resources is prohibited. No license is granted to any other TI intellectual property right or to any third party intellectual property right. TI disclaims responsibility for, and you fully indemnify TI and its representatives against any claims, damages, costs, losses, and liabilities arising out of your use of these resources.

TI's products are provided subject to [TI's Terms of Sale](#), [TI's General Quality Guidelines](#), or other applicable terms available either on [ti.com](#) or provided in conjunction with such TI products. TI's provision of these resources does not expand or otherwise alter TI's applicable warranties or warranty disclaimers for TI products. Unless TI explicitly designates a product as custom or customer-specified, TI products are standard, catalog, general purpose devices.

TI objects to and rejects any additional or different terms you may propose.

Copyright © 2025, Texas Instruments Incorporated

Last updated 10/2025