

SMJ320C40, TMP320C40 DIGITAL SIGNAL PROCESSORS

SGUS017H - OCTOBER 1993 - REVISED OCTOBER 2001

- **SMJ: QML Processing to MIL-PRF-38535**
- **SM: Standard Processing**
- **TMP: Commercial Level Processing TAB**
- **Operating Temperature Ranges:**
 - Military (M) -55°C to 125°C
 - Special (S) -55°C to 100°C
 - Commercial (C) -25°C to 85°C
 - Commercial (L) 0°C to 70°C
- **Highest Performance Floating-Point Digital Signal Processor (DSP)**
 - **C40-60:**
33-ns Instruction Cycle Time:
60 MFLOPS, 30 MIPS, 330 MOPS,
384 MBps
 - **C40-50:**
40-ns Instruction Cycle Time:
50 MFLOPS, 25 MIPS, 275 MOPS,
320 MBps
 - **C40-40:**
50-ns Instruction Cycle Time:
40 MFLOPS, 20 MIPS, 220 MOPS,
256 MBps
- **Six Communications Ports**
- **6-Channel Direct Memory Access (DMA) Coprocessor**
- **Single-Cycle Conversion to and From IEEE-745 Floating-Point Format**
- **Single Cycle $1/x$, $1/\sqrt{x}$**
- **Source-Code Compatible With SMJ320C30**
- **Validated Ada Compiler**
- **Single-Cycle 40-Bit Floating-Point, 32-Bit Integer Multipliers**
- **12 40-Bit Registers, 8 Auxiliary Registers, 14 Control Registers, and 2 Timers**
- **IEEE Standard 1149.1[†] Test-Access Port (JTAG)**
- **Two Identical External Data and Address Buses Supporting Shared Memory Systems and High Data-Rate, Single-Cycle Transfers:**
 - High Port-Data Rate of 100 MBytes/s (Each Bus)
 - 16G-Byte Continuous Program/Data/Peripheral Address Space
 - Memory-Access Request for Fast, Intelligent Bus Arbitration
 - Separate Address-, Data-, and Control-Enable Pins
 - Four Sets of Memory-Control Signals Support Different Speed Memories in Hardware
- **Packaging:**
 - 325-Pin Ceramic Grid Array (GF Suffix)
 - 352-Lead Ceramic Quad Flatpack (HFH Suffix)
 - 324-Pad JEDEC-Standard TAB Frame
- **Fabricated Using Enhanced Performance Implanted CMOS (EPIC™) Technology by Texas Instruments (TI™)**
- **Separate Internal Program, Data, and DMA Coprocessor Buses for Support of Massive Concurrent Input/Output (I/O) of Program and Data Throughput, Maximizing Sustained Central Processing Unit (CPU) Performance**
- **On-Chip Program Cache and Dual-Access/Single-Cycle RAM for Increased Memory-Access Performance**
 - 512-Byte Instruction Cache
 - 8K Bytes of Single-Cycle Dual-Access Program or Data RAM
 - ROM-Based Bootloader Supports Program Bootup Using 8-, 16-, or 32-Bit Memories Over Any One of the Communications Ports



Please be aware that an important notice concerning availability, standard warranty, and use in critical applications of Texas Instruments semiconductor products and disclaimers thereto appears at the end of this data sheet.

[†]IEEE Standard 1149.1-1990, IEEE Standard Test-Access Port and Boundary-Scan Architecture.
EPIC and TI are trademarks of Texas Instruments Incorporated.

PRODUCTION DATA information is current as of publication date. Products conform to specifications per the terms of Texas Instruments standard warranty. Production processing does not necessarily include testing of all parameters.

 **TEXAS
INSTRUMENTS**

POST OFFICE BOX 1443 • HOUSTON, TEXAS 77251-1443

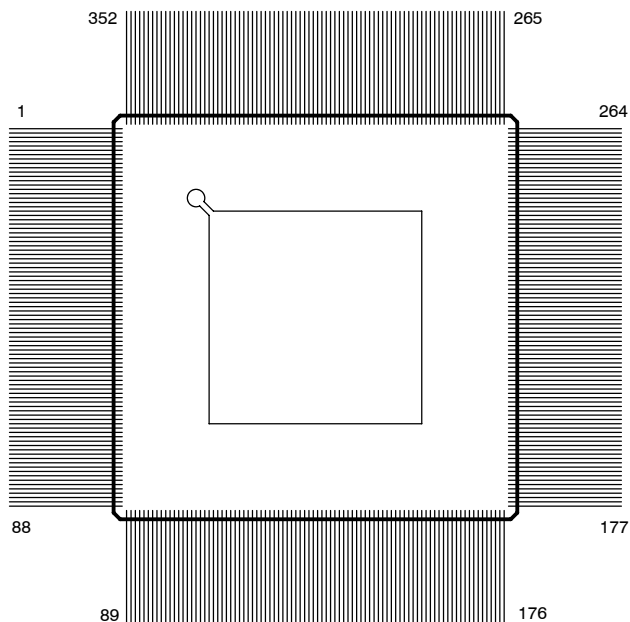
Copyright © 2001, Texas Instruments Incorporated
On products compliant to MIL-PRF-38535, all parameters are tested unless otherwise noted. On all other products, production processing does not necessarily include testing of all parameters.

SMJ320C40, TMP320C40 DIGITAL SIGNAL PROCESSORS

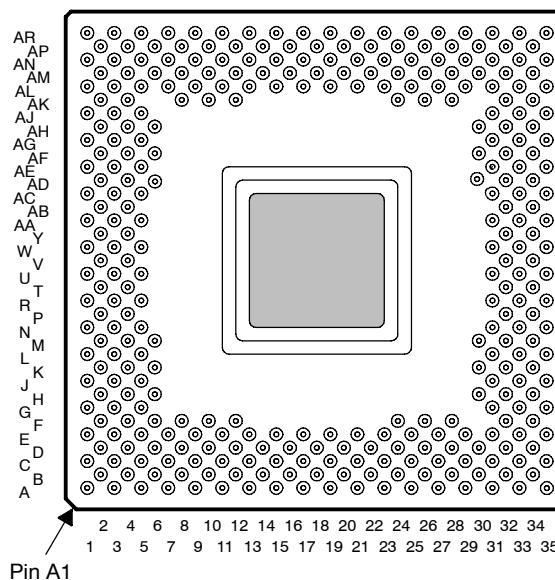
SGUS017H - OCTOBER 1993 - REVISED OCTOBER 2001

pinouts

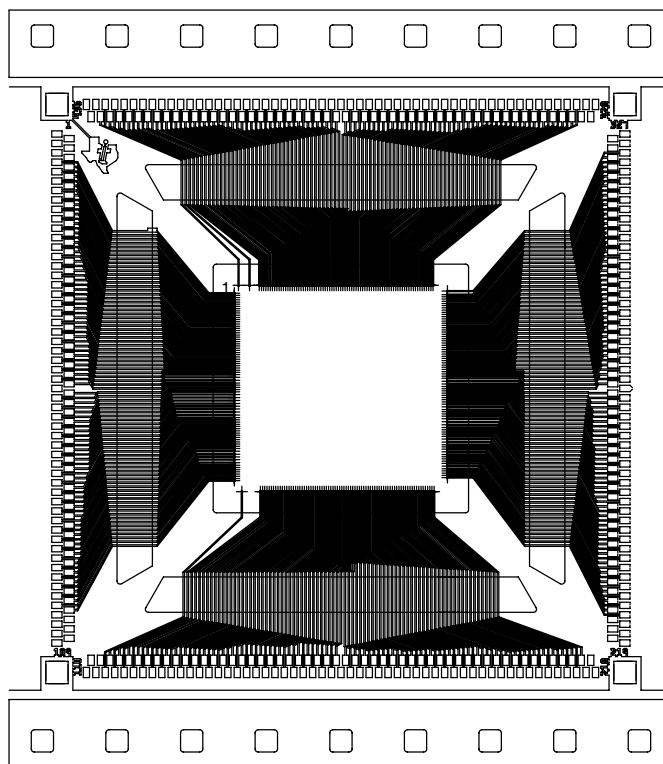
**352-LEAD HFH QUAD FLATPACK PACKAGE
(TOP VIEW)†**



**325-PIN GF GRID ARRAY PACKAGE
(BOTTOM VIEW)†**



**TAB 325-LEAD OLB/ILB
TAPE AUTOMATED BONDING (TAB) PACKAGE
(TOP VIEW)†**



† See the pin assignments tables and the signal description table for location and description of all pins.

description

The C40 digital signal processors (DSPs) are 32-bit, floating-point processors manufactured in 0.72- μm , double-level metal CMOS technology. The 320C40 is a part of the fourth-generation DSPs from Texas Instruments and is designed primarily for parallel processing.

For additional information when designing for cold temperature operation, please see Texas Instruments application report *320C3x, 320C4x and 320MCM42x Power-up Sensitivity at Cold Temperature*, literature number SGUA001.

operation

The 320C40 has six on-chip communication ports for processor-to-processor communication with no external hardware and simple communication software. This allows connectivity to other C4x processors with no external-glue logic. The communication ports remove input/output bottlenecks, and the independent smart DMA coprocessor is able to handle the CPU input/output burden.

central processing unit

The 320C40 CPU is configured for high-speed internal parallelism for the highest sustained performance. The key features of the CPU are:

- Eight operations/cycle:
 - 40/32-bit floating-point/integer multiply
 - 40/32-bit floating-point/integer arithmetic logic unit (ALU) operation
 - Two data accesses
 - Two address-register updates
- IEEE floating-point conversion
- Divide and square-root support
- C3x assembly language compatibility
- Byte and halfword accessibility

DMA coprocessor

The DMA coprocessor allows concurrent I/O and CPU processing for the highest sustained CPU performance. The key features of the DMA processor are:

- Link pointers that allow DMA channels to autoinitialize without CPU intervention
- Parallel CPU operation and DMA transfers
- Six DMA channels that support memory-to-memory data transfers
- Split-mode operation doubles the available DMA channels to 12 when data transfers to and from a communication port are required.

communication ports

The C40 is the first DSP with on-chip communication ports for processor-to-processor communication with no external hardware and simple communication software. The features of the communication ports are:

- Direct interprocessor communication and processor I/O
- Six communication ports for direct interprocessor communication and processor I/O
- 20M-byte/s bidirectional interface on each communication port for high-speed multiprocessor interface

SMJ320C40, TMP320C40 DIGITAL SIGNAL PROCESSORS

SGUS017H - OCTOBER 1993 - REVISED OCTOBER 2001

communication ports (continued)

- Separate 8-word-deep input and output FIFO buffers for processor-to-processor communication and I/O
- Automatic arbitration and handshaking for direct processor-to-processor connection

communication-port software reset (C40 silicon revision \geq 5.0)

The input and output FIFO levels for a communication port can be flushed by writing at least two back-to-back values to its communication-port software-reset address as specified in Table 1. This feature is not present in C40 silicon revision $<$ 5.0. This software reset flushes any word or byte already present in the FIFOs but it does not affect the status of the communication-port pins. Figure 1 shows an example of communication-port-software reset.

Table 1. Communication-Port Software-Reset Address

0	0x0100043
1	0x0100053
2	0x0100063
3	0x0100073
4	0x0100083
5	0x0100093

```

; -----;
; RESET1:Flush's FIFO data for communication port 1;
; -----;
RESET1 push  AR0          ; Save registers
      push  R0           ;
      push  RC           ;
      ldhi  010h,AR0     ; Set AR0 to base address of COM 1
      or   050h,AR0     ;
flush: rpts  1           ; Flush FIFO data with back-to-back write
      sti  R0,**+AR0(3) ;
      rpts  10          ; Wait
      nop              ;
      ldi  **+AR0(0),R0 ; Check for new data from other port
      and  01FE0h,R0   ;
      bnz  flush       ;
      pop  RC           ; Restore registers
      pop  R0           ;
      pop  AR0         ;
      rets             ; Return

```

Figure 1. Example of Communication-Port-Software Reset



NMI with bus-grant feature (C40 silicon revision \geq 5.0)

The 320C40 devices have a software-configurable feature that forces the internal-peripheral bus to ready when the $\overline{\text{NMI}}$ signal is asserted. This feature is not present in C40 silicon revision $<$ 5.0. The $\overline{\text{NMI}}$ bus-grant feature is enabled when bits 19–18 of the status register (ST) are set to 10b. When enabled, a peripheral bus-grant signal is generated on the falling edge of $\overline{\text{NMI}}$. When $\overline{\text{NMI}}$ is asserted and this feature is not enabled, the CPU stalls on access to the peripheral bus if it is not ready. A stall condition occurs when writing to a full FIFO or reading an empty FIFO. This feature is useful in correcting communication-port errors when used in conjunction with the communication-port software-reset feature.

IDLE2 clock-stop power-down mode (C40 silicon revision \geq 5.0)

The 320C40 has a clock-stop mode or power-down mode (IDLE2) to achieve extremely low power consumption. When an IDLE2 instruction is executed, the clocks are halted with H1 being held high. To exit IDLE2, assert one of the $\overline{\text{IIOF3}}$ – $\overline{\text{IIOF0}}$ pins configured as an external interrupt instead of a general-purpose I/O. A macro showing how to generate the IDLE2 opcode is given in Figure 2. During this power-down mode:

- No instructions are executed
- The CPU, peripherals, and internal memory retain their previous state.
- The external-bus outputs are idle. The address lines remain in their previous state, the data lines are in the high-impedance state, and the output-control signals are inactive.

```

; -----;
; IDLE2: Macro to generate idle2 opcode          ;
; -----;
IDLE2      .macro
           .word      06000001h
           .endm

```

Figure 2. Example of Software Subroutine Using IDLE2

IDLE2 is exited when one of the five external interrupts ($\overline{\text{NMI}}$ and $\overline{\text{IIOF3}}$ – $\overline{\text{IIOF0}}$) is asserted low for at least four input clocks (two H1 cycles). The clocks then start after a delay of two input clocks (one H1 cycle). The clocks can start in the opposite phase; that is, H1 can be high when H3 was high before the clocks were stopped. However, the H1 and H3 clocks remain 180° out of phase with each other.

During IDLE2 operation, an external interrupt can be recognized and serviced by the CPU if it is enabled before entering IDLE2 and asserted for at least two H1 cycles. For the processor to recognize only one interrupt, the interrupt pin must be configured for edge-trigger mode or asserted less than three cycles in level-trigger mode. Any external interrupt pin can wake up the device from IDLE2, but for the CPU to recognize that interrupt, it must also be enabled. If an interrupt is recognized and executed by the CPU, the instruction following the IDLE2 instruction is not executed until after execution of a return opcode.

When the device is in emulation mode, the CPU executes an IDLE2 instruction as if it were an IDLE instruction. The clocks continue to run for correct operation of the emulator.

SMJ320C40, TMP320C40 DIGITAL SIGNAL PROCESSORS

SGUS017H - OCTOBER 1993 - REVISED OCTOBER 2001

development tools

The C40 is supported by a host of parallel-processing development tools for developing and simulating code easily and for debugging parallel-processing systems. The code generation tools include:

- An ANSI C compiler optimized with a runtime support library that supports use of communication ports and DMA.
- Third-party support for C, C++, and Ada compilers
- Several operating systems available for parallel-processing support, as well as DMA and communication port drivers
- An assembler and linker with support for mapping program and data to parallel processors

The simulation tools include:

- Parallel DSP system-level simulation with LAI hardware verification (HV) model and full function (FF) model
- TI software simulator with high-level language debugger interface for simulating a single processor

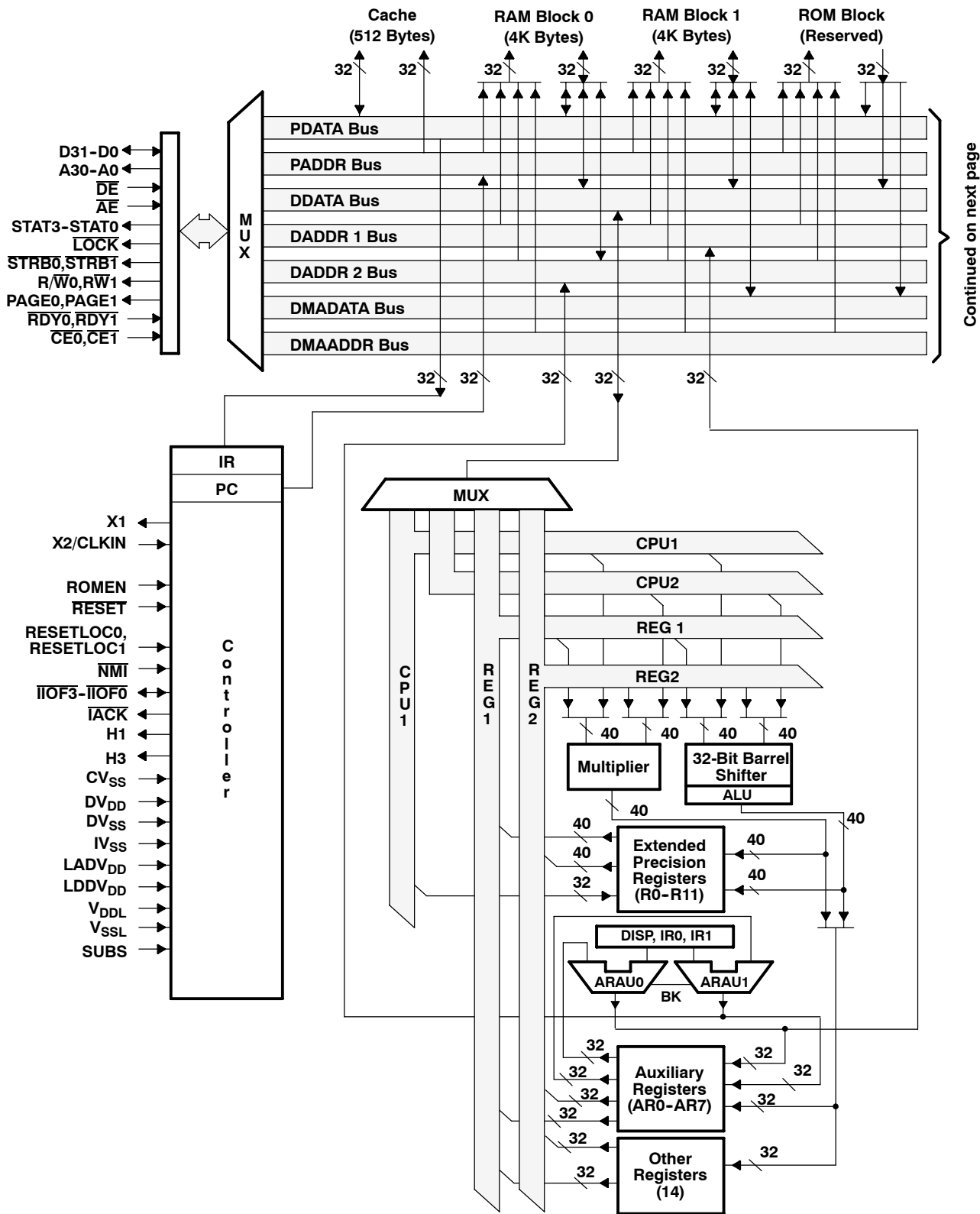
The hardware development and verification tools include:

- Parallel processor in-circuit emulator and high-level language debugger: XDS510™
- Parallel processor development system (PPDS) with four 320C40s, local and global memory, and communication port connections

XDS510 is a trademark of Texas Instruments Incorporated.



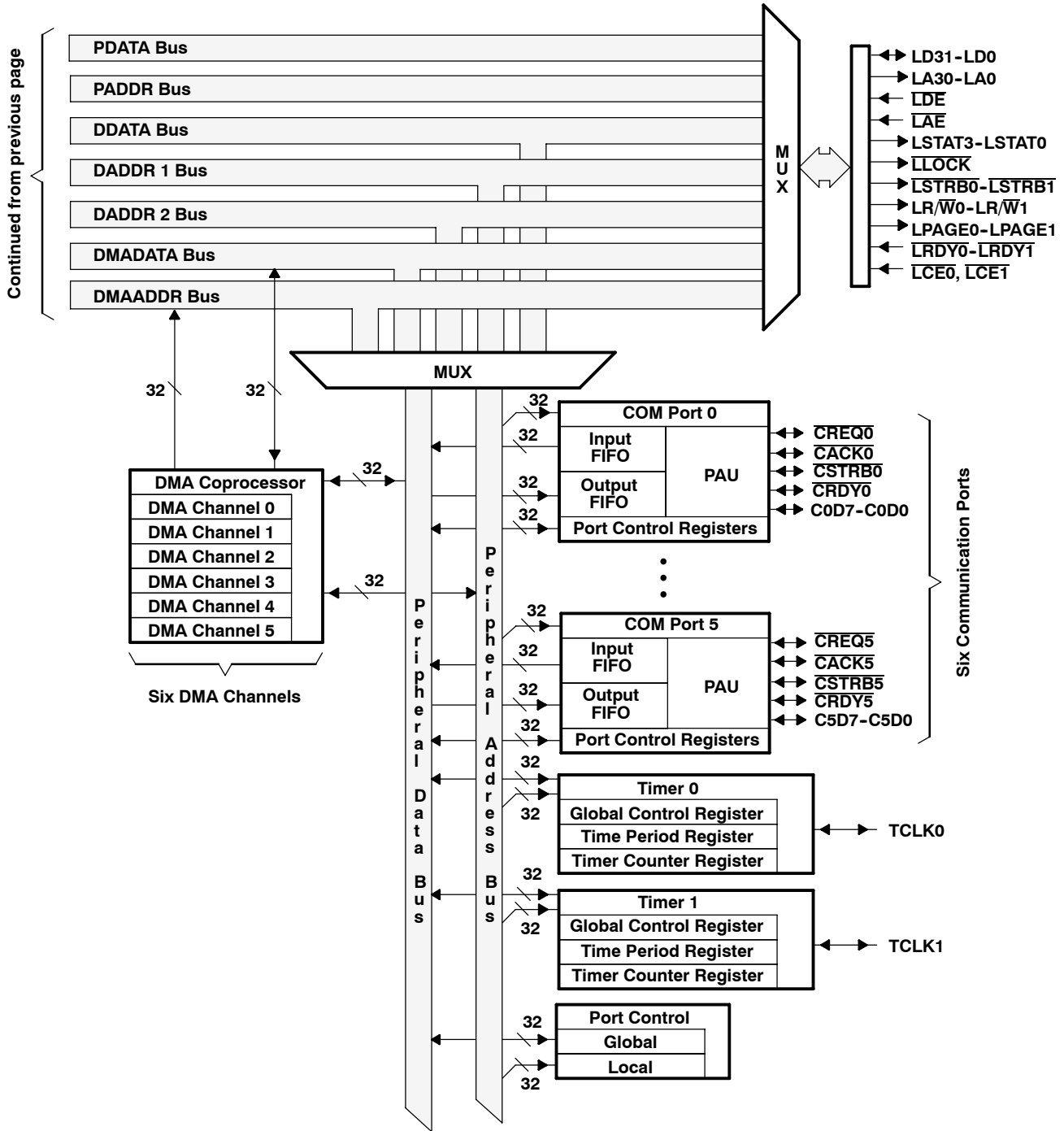
block diagram



SMJ320C40, TMP320C40 DIGITAL SIGNAL PROCESSORS

SGUS017H - OCTOBER 1993 - REVISED OCTOBER 2001

block diagram (continued)



memory map

Figure 3 shows the memory map for the 320C40. See the *TMS320C4x User's Guide* (literature number SPRU063) for a detailed description of this memory mapping.

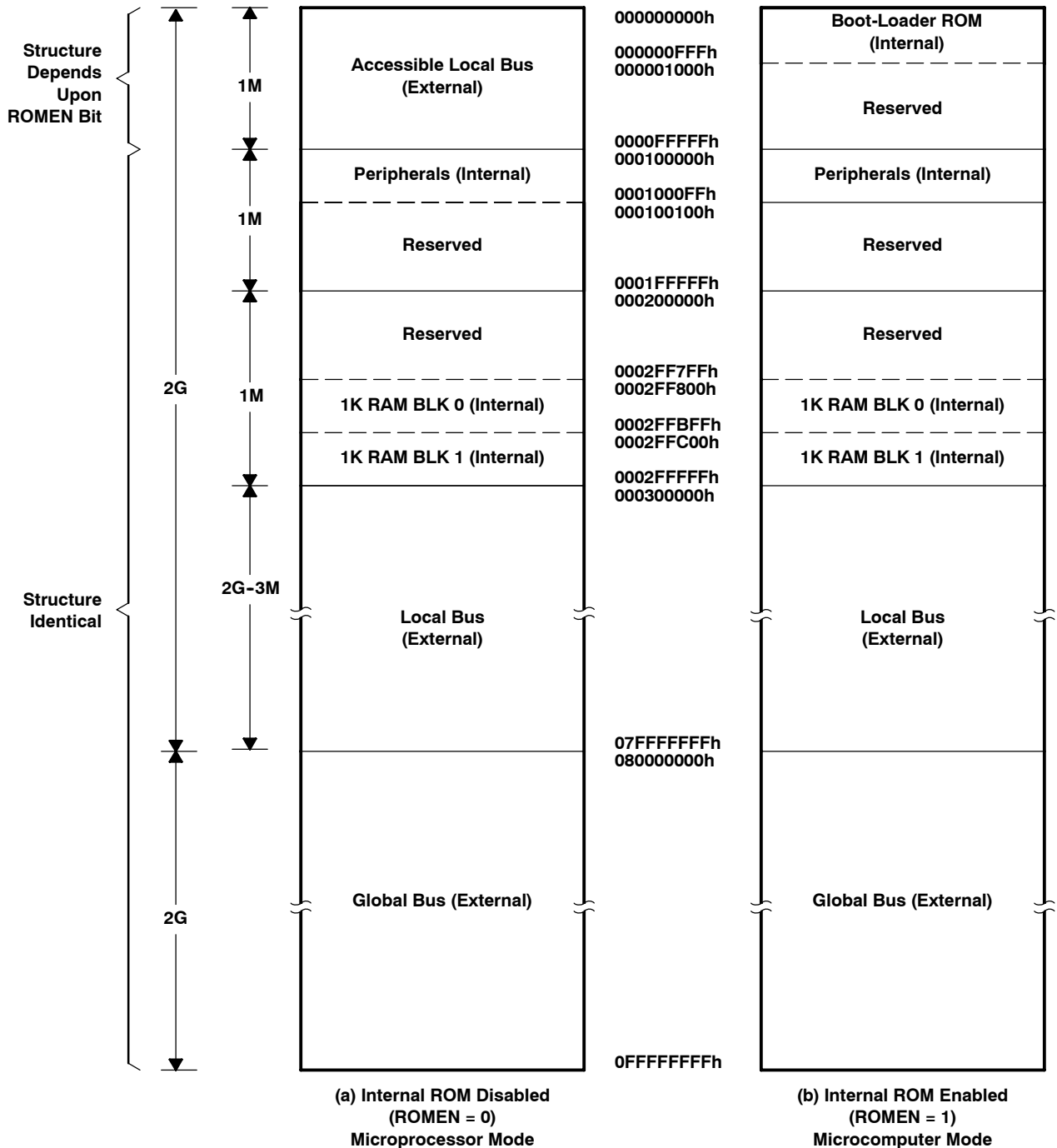


Figure 3. Memory Map for 320C40

SMJ320C40, TMP320C40 DIGITAL SIGNAL PROCESSORS

SGUS017H - OCTOBER 1993 - REVISED OCTOBER 2001

signal descriptions

This section gives signal descriptions for the SMJ320C40 device. The SMJ320C40 signal descriptions table lists each signal, the number of pins, operating mode(s) (that is, input, output, or high-impedance state as indicated by I, O, or Z, respectively), and function. All pins labeled NC are not to be connected by the user. A line over a signal name (for example, $\overline{\text{RESET}}$) indicates that the signal is active low (true at a logic-0 level). The signals are grouped according to functions.

SMJ320C40 Signal Descriptions

SIGNAL NAME	NO. OF PINS	TYPE†	DESCRIPTION
GLOBAL BUS EXTERNAL INTERFACE (80 PINS)			
D31-D0	32	I/O/Z	32-bit data port of the global bus external interface
$\overline{\text{DE}}$	1	I	Data-bus-enable signal for the global bus external interface
A30-A0	31	O/Z	31-bit address port of the global bus external interface
$\overline{\text{AE}}$	1	I	Address-bus-enable signal for the global bus external interface
STAT3-STAT0	4	O	Status signals for the global bus external interface
$\overline{\text{LOCK}}$	1	O	Lock signal for the global bus external interface
$\overline{\text{STRB0}}^\ddagger$	1	O/Z	Access strobe 0 for the global bus external interface
$\overline{\text{R/W0}}^\ddagger$	1	O/Z	Read/write signal for $\overline{\text{STRB0}}$ accesses
$\overline{\text{PAGE0}}^\ddagger$	1	O/Z	Page signal for $\overline{\text{STRB0}}$ accesses
$\overline{\text{RDY0}}^\ddagger$	1	I	Ready signal for $\overline{\text{STRB0}}$ accesses
$\overline{\text{CE0}}^\ddagger$	1	I	Control enable for the $\overline{\text{STRB0}}$, $\overline{\text{PAGE0}}$, and $\overline{\text{R/W0}}$ signals
$\overline{\text{STRB1}}^\ddagger$	1	O/Z	Access strobe 1 for the global bus external interface
$\overline{\text{R/W1}}^\ddagger$	1	O/Z	Read/write signal for $\overline{\text{STRB1}}$ accesses
$\overline{\text{PAGE1}}^\ddagger$	1	O/Z	Page signal for $\overline{\text{STRB1}}$ accesses
$\overline{\text{RDY1}}^\ddagger$	1	I	Ready signal for $\overline{\text{STRB1}}$ accesses
$\overline{\text{CE1}}^\ddagger$	1	I	Control enable for the $\overline{\text{STRB1}}$, $\overline{\text{PAGE1}}$, and $\overline{\text{R/W1}}$ signals
LOCAL BUS EXTERNAL INTERFACE (80 PINS)			
LD31-LD0	32	I/O/Z	32-bit data port of the local bus external interface
$\overline{\text{LDE}}$	1	I	Data-bus-enable signal for the local bus external interface
LA30-LA0	31	O/Z	31-bit address port of the local bus external interface
$\overline{\text{LAE}}$	1	I	Address-bus-enable signal for the local bus external interface
LSTAT3-LSTAT0	4	O	Status signals for the local bus external interface
$\overline{\text{LOCK}}$	1	O	Lock signal for the local bus external interface
$\overline{\text{LSTRB0}}^\ddagger$	1	O/Z	Access strobe 0 for the local bus external interface
$\overline{\text{LR/W0}}$	1	O/Z	Read/write signal for $\overline{\text{LSTRB0}}$ accesses
$\overline{\text{LPAGE0}}$	1	O/Z	Page signal for $\overline{\text{LSTRB0}}$ accesses
$\overline{\text{LRDY0}}$	1	I	Ready signal for $\overline{\text{LSTRB0}}$ accesses
$\overline{\text{LCE0}}^\ddagger$	1	I	Control enable for the $\overline{\text{LSTRB0}}$, $\overline{\text{LPAGE0}}$, and $\overline{\text{LR/W0}}$ signals
$\overline{\text{LSTRB1}}^\ddagger$	1	O/Z	Access strobe 1 for the local bus external interface
$\overline{\text{LR/W1}}$	1	O/Z	Read/write signal for $\overline{\text{LSTRB1}}$ accesses

† I = input, O = output, Z = high impedance

‡ $\overline{\text{STRB0}}$, $\overline{\text{STRB1}}$ and associated signals ($\overline{\text{R/W1}}$, $\overline{\text{R/W0}}$, $\overline{\text{PAGE0}}$, $\overline{\text{PAGE1}}$, etc.) are effective over the address ranges defined by the STRB ACTIVE bits.

§ HFH package has additional power and ground pins to reduce noise problems.



signal descriptions (continued)

SMJ320C40 Signal Descriptions (Continued)

SIGNAL NAME	NO. OF PINS	TYPE†	DESCRIPTION
LOCAL BUS EXTERNAL INTERFACE (80 PINS) (CONTINUED)			
LPAGE1	1	O/Z	Page signal for $\overline{\text{LSTRBT}}$ accesses
LRDY1	1	I	Ready signal for $\overline{\text{LSTRBT}}$ accesses
LCE1	1	I	Control enable for the $\overline{\text{LSTRBT}}$, LPAGE1, and LR/W1 signals
COMMUNICATION PORT 0 INTERFACE (12 PINS)			
C0D7-C0D0	8	I/O	Communication port 0 data bus
$\overline{\text{CREQ0}}$	1	I/O	Communication port 0 token-request signal
$\overline{\text{CACK0}}$	1	I/O	Communication port 0 token-request-acknowledge signal
$\overline{\text{CSTRB0}}$	1	I/O	Communication port 0 data-strobe signal
$\overline{\text{CRDY0}}$	1	I/O	Communication port 0 data-ready signal
COMMUNICATION PORT 1 INTERFACE (12 PINS)			
C1D7-C1D0	8	I/O	Communication port 1 data bus
$\overline{\text{CREQ1}}$	1	I/O	Communication port 1 token-request signal
$\overline{\text{CACK1}}$	1	I/O	Communication port 1 token-request-acknowledge signal
$\overline{\text{CSTRB1}}$	1	I/O	Communication port 1 data-strobe signal
$\overline{\text{CRDY1}}$	1	I/O	Communication port 1 data-ready signal
COMMUNICATION PORT 2 INTERFACE (12 PINS)			
C2D7-C2D0	8	I/O	Communication port 2 data bus
$\overline{\text{CREQ2}}$	1	I/O	Communication port 2 token-request signal
$\overline{\text{CACK2}}$	1	I/O	Communication port 2 token-request-acknowledge signal
$\overline{\text{CSTRB2}}$	1	I/O	Communication port 2 data-strobe signal
$\overline{\text{CRDY2}}$	1	I/O	Communication port 2 data-ready signal
COMMUNICATION PORT 3 INTERFACE (12 PINS)			
C3D7-C3D0	8	I/O	Communication port 3 data bus
$\overline{\text{CREQ3}}$	1	I/O	Communication port 3 token-request signal
$\overline{\text{CACK3}}$	1	I/O	Communication port 3 token-request-acknowledge signal
$\overline{\text{CSTRB3}}$	1	I/O	Communication port 3 data-strobe signal
$\overline{\text{CRDY3}}$	1	I/O	Communication port 3 data-ready signal
COMMUNICATION PORT 4 INTERFACE (12 PINS)			
C4D7-C4D0	8	I/O	Communication port 4 data bus
$\overline{\text{CREQ4}}$	1	I/O	Communication port 4 token-request signal
$\overline{\text{CACK4}}$	1	I/O	Communication port 4 token-request-acknowledge signal
$\overline{\text{CSTRB4}}$	1	I/O	Communication port 4 data-strobe signal
$\overline{\text{CRDY4}}$	1	I/O	Communication port 4 data-ready signal

† I = input, O = output, Z = high impedance

‡ $\overline{\text{STRB0}}$, $\overline{\text{STRB1}}$ and associated signals ($\overline{\text{R/W1}}$, $\overline{\text{R/W0}}$, PAGE0, PAGE1, etc.) are effective over the address ranges defined by the STRB ACTIVE bits.

§ HFH package has additional power and ground pins to reduce noise problems.

SMJ320C40, TMP320C40 DIGITAL SIGNAL PROCESSORS

SGUS017H - OCTOBER 1993 - REVISED OCTOBER 2001

signal descriptions (continued)

SMJ320C40 Signal Descriptions (Continued)

SIGNAL NAME	NO. OF PINS	TYPE†	DESCRIPTION
COMMUNICATION PORT 5 INTERFACE (12 PINS)			
C5D7-C5D0	8	I/O	Communication port 5 data bus
CREQ5	1	I/O	Communication port 5 token-request signal
CACK5	1	I/O	Communication port 5 token-request-acknowledge signal
CSTRB5	1	I/O	Communication port 5 data-strobe signal
CRDY5	1	I/O	Communication port 5 data-ready signal
INTERRUPTS, I/O FLAGS, RESET, TIMER (12 PINS)			
IIOF3-IIOF0	4	I/O	Interrupt and I/O flags
NMI	1	I	Nonmaskable interrupt. $\overline{\text{NMI}}$ is sensitive to a low-going edge.
IACK	1	O	Interrupt acknowledge
RESET	1	I	Reset signal
RESETLOC1- RESETLOC0	2	I	Reset-vector location pins
ROMEN	1	I	On-chip ROM enable (0 = disable, 1 = enable)
TCLK0	1	I/O	Timer 0 pin
TCLK1	1	I/O	Timer 1 pin
CLOCK (4 PINS)			
X1	1	O	Crystal pin
X2/CLKIN	1	I	Crystal/oscillator pin
H1	1	O	H1 clock
H3	1	O	H3 clock
POWER AND GROUND (70 PINS)§			
CVSS	15§	I	Ground pins
DVSS	15§	I	Ground pins
IVSS	6§	I	Ground pins
DVDD	13	I	5-V _{DC} supply pins
GADVDD	3§	I	5-V _{DC} supply pins
GDDVDD	3§	I	5-V _{DC} supply pins
LADVDD	3§	I	5-V _{DC} supply pins
LDDVDD	3§	I	5-V _{DC} supply pins
SUBS	1	I	Substrate pin (tie to ground)
VDDL	4	I	5-V _{DC} supply pins
VSSL	4	I	Ground pins

† I = input, O = output, Z = high impedance

‡ $\overline{\text{STRB0}}$, $\overline{\text{STRB1}}$ and associated signals (R/W1, R/W0, PAGE0, PAGE1, etc.) are effective over the address ranges defined by the STRB ACTIVE bits.

§ HFH package has additional power and ground pins to reduce noise problems.



signal descriptions (continued)

SMJ320C40 Signal Descriptions (Continued)

SIGNAL		TYPE†	DESCRIPTION
NAME	NO. OF PINS		
EMULATION (7 PINS)			
TCK	1	I	IEEE 1149.1 test port clock
TDO	1	O/Z	IEEE 1149.1 test port data out
TDI	1	I	IEEE 1149.1 test port data in
TMS	1	I	IEEE 1149.1 test port mode select
TRST	1	I	IEEE 1149.1 test port reset
EMU0	1	I/O	Emulation pin 0
EMU1	1	I/O	Emulation pin 1

† I = input, O = output, Z = high impedance

‡ STRB0, STRB1 and associated signals (R/W1, R/W0, PAGE0, PAGE1, etc.) are effective over the address ranges defined by the STRB ACTIVE bits.

§ HFH package has additional power and ground pins to reduce noise problems.

SMJ320C40, TMP320C40 DIGITAL SIGNAL PROCESSORS

SGUS017H - OCTOBER 1993 - REVISED OCTOBER 2001

GF package pin assignments — alphabetical listing

NAME	NO.	NAME	NO.	NAME	NO.	NAME	NO.	NAME	NO.
A0	D32	C0D6	AN7	C5D4	AM30	CV _{SS}	E35	D31	F32
A1	B32	C0D7	AK8	C5D5	AP32	CV _{SS}	AR25	\overline{DE}	AA31
A2	D30	C1D0	AL7	C5D6	AM32	CV _{SS}	AE1	DV _{DD}	AR11
A3	C29	C1D1	AP8	C5D7	AL31	CV _{SS}	AR13	DV _{DD}	AR29
A4	B30	C1D2	AM8	$\overline{CACK0}$	AN11	CV _{SS}	A19	DV _{DD}	A13
A5	F28	C1D3	AK12	$\overline{CACK1}$	AN13	CV _{SS}	R35	DV _{DD}	A7
A6	F24	C1D4	AK10	$\overline{CACK2}$	AM14	CV _{SS}	AL1	DV _{DD}	A17
A7	E29	C1D5	AN9	$\overline{CACK3}$	AM16	D0	U33	DV _{DD}	L35
A8	C27	C1D6	AL9	$\overline{CACK4}$	AK32	D1	V32	DV _{DD}	AR23
A9	D28	C1D7	AP10	$\overline{CACK5}$	AJ31	D2	T34	DV _{DD}	A29
A10	B28	C2D0	AM18	$\overline{CE0}$	AA33	D3	U31	DV _{DD}	L1
A11	F26	C2D1	AN19	$\overline{CE1}$	V34	D4	R33	DV _{DD}	AC1
A12	C25	C2D2	AL19	$\overline{CRDY0}$	AP12	D5	P34	DV _{DD}	AR17
A13	E27	C2D3	AP20	$\overline{CRDY1}$	AP14	D6	T32	DV _{DD}	A23
A14	B26	C2D4	AM20	$\overline{CRDY2}$	AL15	D7	N33	DV _{DD}	AJ1
A15	D26	C2D5	AN21	$\overline{CRDY3}$	AL17	D8	R31	DV _{SS}	AJ35
A16	C23	C2D6	AL21	$\overline{CRDY4}$	AH30	D9	M34	DV _{SS}	A21
A17	B24	C2D7	AP22	$\overline{CRDY5}$	AH32	D10	P32	DV _{SS}	A25
A18	E25	C3D0	AM22	$\overline{CREQ0}$	AM10	D11	L33	DV _{SS}	G35
A19	C21	C3D1	AN23	$\overline{CREQ1}$	AM12	D12	N31	DV _{SS}	A11
A20	D24	C3D2	AL23	$\overline{CREQ2}$	AN15	D13	K34	DV _{SS}	AG1
A21	B22	C3D3	AP24	$\overline{CREQ3}$	AN17	D14	M32	DV _{SS}	AM2
A22	E23	C3D4	AM24	$\overline{CREQ4}$	AN33	D15	J33	DV _{SS}	R1
A23	C19	C3D5	AN25	$\overline{CREQ5}$	AL33	D16	L31	DV _{SS}	AR21
A24	D22	C3D6	AL25	$\overline{CSTRB0}$	AL11	D17	M30	DV _{SS}	AR15
A25	B20	C3D7	AP26	$\overline{CSTRB1}$	AL13	D18	K32	DV _{SS}	A15
A26	E21	C4D0	AN27	$\overline{CSTRB2}$	AP16	D19	H34	DV _{SS}	AR27
A27	B18	C4D1	AM26	$\overline{CSTRB3}$	AP18	D20	J31	DV _{SS}	G1
A28	C17	C4D2	AK24	$\overline{CSTRB4}$	AM34	D21	G33	DV _{SS}	N35
A29	D20	C4D3	AL27	$\overline{CSTRB5}$	AK34	D22	K30	DV _{SS}	AR9
A30	B16	C4D4	AP28	CV _{SS}	AR19	D23	F34	EMU0	AA35
\overline{AE}	AG31	C4D5	AK26	CV _{SS}	AR7	D24	H32	EMU1	AD34
C0D0	AP4	C4D6	AN29	CV _{SS}	N1	D25	E33	GADV _{DD}	B2
C0D1	AL5	C4D7	AM28	CV _{SS}	AL35	D26	D34	GADV _{DD}	AR1
C0D2	AN5	C5D0	AL29	CV _{SS}	A27	D27	G31	GADV _{DD}	U35
C0D3	AM4	C5D1	AP30	CV _{SS}	A9	D28	C33	GDDV _{DD}	V2
C0D4	AP6	C5D2	AK28	CV _{SS}	E1	D29	H30	GDDV _{DD}	A35
C0D5	AM6	C5D3	AN31	CV _{SS}	J35	D30	E31	GDDV _{DD}	A1



GF package pin assignments — alphabetical listing (continued)

NAME	NO.	NAME	NO.	NAME	NO.	NAME	NO.
H1	AC3	LA25	R5	LD26	B4	STAT0	AD32
H3	AC5	LA26	T2	LD27	F8	STAT1	AE33
$\overline{\text{TACK}}$	W3	LA27	U3	LD28	D6	STAT2	AF34
$\overline{\text{IOF0}}$	AN3	LA28	T4	LD29	C3	STAT3	AE31
$\overline{\text{IOF1}}$	AL3	LA29	V4	LD30	E5	$\overline{\text{STRB0}}$	AD30
$\overline{\text{IOF2}}$	AH6	LA30	U5	LD31	F6	$\overline{\text{STRB1}}$	AC33
$\overline{\text{IOF3}}$	AK2	LADV _{DD}	B34	LDDV _{DD}	AR35	SUBS	C31
IV _{SS}	AR5	LADV _{DD}	AB2	LDDV _{DD}	AP2	TCK	Y34
IV _{SS}	AR31	LADV _{DD}	AP34	LDDV _{DD}	U1	TCLK0	AE3
IV _{SS}	AG35	$\overline{\text{LAE}}$	AB4	$\overline{\text{LDE}}$	AD4	TCLK1	AD2
IV _{SS}	A31	$\overline{\text{LCE0}}$	AG5	$\overline{\text{LLOCK}}$	AA5	TDO	AB34
IV _{SS}	J1	$\overline{\text{LCE1}}$	AF2	$\overline{\text{LOCK}}$	W33	TDI	AC35
IV _{SS}	A5	LD0	E19	LPAGE0	AH2	TMS	W35
LA0	D2	LD1	C15	LPAGE1	AG3	$\overline{\text{TRST}}$	AE35
LA1	D4	LD2	D18	$\overline{\text{RDY0}}$	AF6	V _{DDL}	AN1
LA2	E3	LD3	B14	$\overline{\text{RDY1}}$	AE5	V _{DDL}	AN35
LA3	F4	LD4	E17	$\overline{\text{R/W0}}$	AH4	V _{DDL}	C35
LA4	H6	LD5	D16	$\overline{\text{R/W1}}$	AF4	V _{DDL}	C1
LA5	F2	LD6	C13	LSTAT0	AA3	V _{SSL}	A3
LA6	G5	LD7	E15	LSTAT1	Y4	V _{SSL}	AR3
LA7	G3	LD8	B12	LSTAT2	Y2	V _{SSL}	AR33
LA8	H4	LD9	D14	LSTAT3	W5	V _{SSL}	A33
LA9	H2	LD10	C11	$\overline{\text{LSTRB0}}$	AJ3	X1	W1
LA10	K6	LD11	E13	$\overline{\text{LSTRB1}}$	AD6	X2/CLKIN	AA1
LA11	M6	LD12	B10	$\overline{\text{NMI}}$	AJ5		
LA12	J5	LD13	D12	PAGE0	AG33		
LA13	J3	LD14	C9	PAGE1	AB32		
LA14	K4	LD15	E11	$\overline{\text{RDY0}}$	Y32		
LA15	K2	LD16	F12	$\overline{\text{RDY1}}$	W31		
LA16	L3	LD17	D10	RESETLOC0	AF30		
LA17	L5	LD18	B8	RESETLOC1	AH34		
LA18	M2	LD19	E9	RESET	AJ33		
LA19	M4	LD20	C7	ROMEN	AK4		
LA20	N3	LD21	F10	$\overline{\text{R/W0}}$	AF32		
LA21	N5	LD22	B6	$\overline{\text{R/W1}}$	AC31		
LA22	P2	LD23	D8				
LA23	P4	LD24	C5				
LA24	R3	LD25	E7				

SMJ320C40, TMP320C40 DIGITAL SIGNAL PROCESSORS

SGUS017H - OCTOBER 1993 - REVISED OCTOBER 2001

GF package pin assignments — numerical listing

NO.	NAME	NO.	NAME	NO.	NAME	NO.	NAME
A1	GDDV _{DD}	AD30	STRB ₀	AK24	C4D2	AM30	C5D4
A3	V _{SSL}	AD32	STAT0	AK26	C4D5	AM32	C5D6
A5	IV _{SS}	AD34	EMU1	AK28	C5D2	AM34	CSTRB ₄
A7	DV _{DD}	AE1	CV _{SS}	AK32	CACK ₄	AN1	V _{DDL}
A9	CV _{SS}	AE3	TCLK0	AK34	CSTRB ₅	AN3	TI _{OF0}
A11	DV _{SS}	AE5	LRDY ₁	AL1	CV _{SS}	AN5	C0D2
A13	DV _{DD}	AE31	STAT3	AL3	TI _{OF1}	AN7	C0D6
A15	DV _{SS}	AE33	STAT1	AL5	C0D1	AN9	C1D5
A17	DV _{DD}	AE35	TRST	AL7	C1D0	AN11	CACK ₀
A19	CV _{SS}	AF2	LC _{CE1}	AL9	C1D6	AN13	CACK ₁
A21	DV _{SS}	AF4	LR/W ₁	AL11	CSTRB ₀	AN15	CREQ ₂
A23	DV _{DD}	AF6	LRDY ₀	AL13	CSTRB ₁	AN17	CREQ ₃
A25	DV _{SS}	AF30	RESETLOC0	AL15	CRDY ₂	AN19	C2D1
A27	CV _{SS}	AF32	R/W ₀	AL17	CRDY ₃	AN21	C2D5
A29	DV _{DD}	AF34	STAT2	AL19	C2D2	AN23	C3D1
A31	IV _{SS}	AG1	DV _{SS}	AL21	C2D6	AN25	C3D5
A33	V _{SSL}	AG3	LPAGE1	AL23	C3D2	AN27	C4D0
A35	GDDV _{DD}	AG5	LC _{CE0}	AL25	C3D6	AN29	C4D6
AA1	X2/CLKIN	AG31	AE	AL27	C4D3	AN31	C5D3
AA3	LSTAT0	AG33	PAGE0	AL29	C5D0	AN33	CREQ ₄
AA5	LOCK	AG35	IV _{SS}	AL31	C5D7	AN35	V _{DDL}
AA31	DE	AH2	LPAGE0	AL33	CREQ ₅	AP2	LDDV _{DD}
AA33	CE ₀	AH4	LR/W ₀	AL35	CV _{SS}	AP4	C0D0
AA35	EMU0	AH6	TI _{OF2}	AM2	DV _{SS}	AP6	C0D4
AB2	LADV _{DD}	AH30	CRDY ₄	AM4	C0D3	AP8	C1D1
AB4	LA _E	AH32	CRDY ₅	AM6	C0D5	AP10	C1D7
AB32	PAGE1	AH34	RESETLOC1	AM8	C1D2	AP12	CRDY ₀
AB34	TDO	AJ1	DV _{DD}	AM10	CREQ ₀	AP14	CRDY ₁
AC1	DV _{DD}	AJ3	LSTRB ₀	AM12	CREQ ₁	AP16	CSTRB ₂
AC3	H1	AJ5	NMI	AM14	CACK ₂	AP18	CSTRB ₃
AC5	H3	AJ31	CACK ₅	AM16	CACK ₃	AP20	C2D3
AC31	R/W ₁	AJ33	RESET	AM18	C2D0	AP22	C2D7
AC33	STRB ₁	AJ35	DV _{SS}	AM20	C2D4	AP24	C3D3
AC35	TDI	AK2	TI _{OF3}	AM22	C3D0	AP26	C3D7
AD2	TCLK1	AK4	ROMEN	AM24	C3D4	AP28	C4D4
AD4	LDE	AK8	C0D7	AM26	C4D1	AP30	C5D1
AD6	LSTRB ₁	AK10	C1D4	AM28	C4D7	AP32	C5D5
		AK12	C1D3			AP34	LADV _{DD}



SMJ320C40, TMP320C40 DIGITAL SIGNAL PROCESSORS

SGUS017H - OCTOBER 1993 - REVISED OCTOBER 2001

GF package pin assignments — numerical listing (continued)

NO.	NAME	NO.	NAME	NO.	NAME	NO.	NAME	NO.	NAME
AR1	GADV _{DD}	C1	V _{DDL}	E1	CV _{SS}	H2	LA9	P2	LA22
AR3	V _{SSL}	C3	LD29	E3	LA2	H4	LA8	P4	LA23
AR5	IV _{SS}	C5	LD24	E5	LD30	H6	LA4	P32	D10
AR7	CV _{SS}	C7	LD20	E7	LD25	H30	D29	P34	D5
AR9	DV _{SS}	C9	LD14	E9	LD19	H32	D24	R1	DV _{SS}
AR11	DV _{DD}	C11	LD10	E11	LD15	H34	D19	R3	LA24
AR13	CV _{SS}	C13	LD6	E13	LD11	J1	IV _{SS}	R5	LA25
AR15	DV _{SS}	C15	LD1	E15	LD7	J3	LA13	R31	D8
AR17	DV _{DD}	C17	A28	E17	LD4	J5	LA12	R33	D4
AR19	CV _{SS}	C19	A23	E19	LD0	J31	D20	R35	CV _{SS}
AR21	DV _{SS}	C21	A19	E21	A26	J33	D15	T2	LA26
AR23	DV _{DD}	C23	A16	E23	A22	J35	CV _{SS}	T4	LA28
AR25	CV _{SS}	C25	A12	E25	A18	K2	LA15	T32	D6
AR27	DV _{SS}	C27	A8	E27	A13	K4	LA14	T34	D2
AR29	DV _{DD}	C29	A3	E29	A7	K6	LA10	U1	LDDV _{DD}
AR31	IV _{SS}	C31	SUBS	E31	D30	K30	D22	U3	LA27
AR33	V _{SSL}	C33	D28	E33	D25	K32	D18	U5	LA30
AR35	LDDV _{DD}	C35	V _{DDL}	E35	CV _{SS}	K34	D13	U31	D3
B2	GADV _{DD}	D2	LA0	F2	LA5	L1	DV _{DD}	U33	D0
B4	LD26	D4	LA1	F4	LA3	L3	LA16	U35	GADV _{DD}
B6	LD22	D6	LD28	F6	LD31	L5	LA17	V2	GDDV _{DD}
B8	LD18	D8	LD23	F8	LD27	L31	D16	V4	LA29
B10	LD12	D10	LD17	F10	LD21	L33	D11	V32	D1
B12	LD8	D12	LD13	F12	LD16	L35	DV _{DD}	V34	$\overline{CE\bar{T}}$
B14	LD3	D14	LD9	F24	A6	M2	LA18	W1	X1
B16	A30	D16	LD5	F26	A11	M4	LA19	W3	\overline{TACK}
B18	A27	D18	LD2	F28	A5	M6	LA11	W5	LSTAT3
B20	A25	D20	A29	F32	D31	M30	D17	W31	$\overline{RDY\bar{T}}$
B22	A21	D22	A24	F34	D23	M32	D14	W33	\overline{LOCK}
B24	A17	D24	A20	G1	DV _{SS}	M34	D9	W35	TMS
B26	A14	D26	A15	G3	LA7	N1	CV _{SS}	Y2	LSTAT2
B28	A10	D28	A9	G5	LA6	N3	LA20	Y4	LSTAT1
B30	A4	D30	A2	G31	D27	N5	LA21	Y32	$\overline{RDY\bar{0}}$
B32	A1	D32	A0	G33	D21	N31	D12	Y34	TCK
B34	LADV _{DD}	D34	D26	G35	DV _{SS}	N33	D7		
						N35	DV _{SS}		

SMJ320C40, TMP320C40 DIGITAL SIGNAL PROCESSORS

SGUS017H - OCTOBER 1993 - REVISED OCTOBER 2001

HFH package pin assignments — alphabetical listing

NAME	NO.	NAME	NO.	NAME	NO.	NAME	NO.	NAME	NO.
A0	348	C1D0	168	$\overline{\text{CACK0}}$	153	CV _{SS} [†]	241	$\overline{\text{DE}}$	53
A1	347	C1D1	167	$\overline{\text{CACK1}}$	149	CV _{SS} [†]	263	DV _{DD} [‡]	63
A2	346	C1D2	166	$\overline{\text{CACK2}}$	144	CV _{SS} [†]	282	DV _{DD} [‡]	77
A3	345	C1D3	165	$\overline{\text{CACK3}}$	138	CV _{SS} [†]	306	DV _{DD} [‡]	91
A4	343	C1D4	164	$\overline{\text{CACK4}}$	86	CV _{SS} [†]	307	DV _{DD} [‡]	100
A5	342	C1D5	163	$\overline{\text{CACK5}}$	82	CV _{SS} [†]	327	DV _{DD} [‡]	112
A6	341	C1D6	162	$\overline{\text{CE0}}$	51	CV _{SS} [†]	328	DV _{DD} [‡]	121
A7	340	C1D7	161	$\overline{\text{CET}}$	42	CV _{SS} [†]	349	DV _{DD} [‡]	135
A8	339	C2D0	131	$\overline{\text{CRDY0}}$	151	D0	41	DV _{DD} [‡]	146
A9	338	C2D1	130	$\overline{\text{CRDY1}}$	147	D1	40	DV _{DD} [‡]	160
A10	337	C2D2	129	$\overline{\text{CRDY2}}$	142	D2	39	DV _{DD} [‡]	169
A11	336	C2D3	128	$\overline{\text{CRDY3}}$	136	D3	38	DV _{DD} [‡]	179
A12	335	C2D4	127	$\overline{\text{CRDY4}}$	84	D4	37	DV _{DD} [‡]	195
A13	334	C2D5	126	$\overline{\text{CRDY5}}$	80	D5	35	DV _{DD} [‡]	219
A14	333	C2D6	125	$\overline{\text{CREQ0}}$	154	D6	34	DV _{SS} [§]	23
A15	332	C2D7	124	$\overline{\text{CREQ1}}$	150	D7	33	DV _{SS} [§]	24
A16	331	C3D0	120	$\overline{\text{CREQ2}}$	145	D8	32	DV _{SS} [§]	44
A17	324	C3D1	119	$\overline{\text{CREQ3}}$	139	D9	31	DV _{SS} [§]	45
A18	323	C3D2	118	$\overline{\text{CREQ4}}$	87	D10	30	DV _{SS} [§]	61
A19	322	C3D3	117	$\overline{\text{CREQ5}}$	83	D11	29	DV _{SS} [§]	62
A20	321	C3D4	116	$\overline{\text{CSTRB0}}$	152	D12	28	DV _{SS} [§]	89
A21	320	C3D5	115	$\overline{\text{CSTRB1}}$	148	D13	27	DV _{SS} [§]	90
A22	319	C3D6	114	$\overline{\text{CSTRB2}}$	143	D14	26	DV _{SS} [§]	110
A23	318	C3D7	113	$\overline{\text{CSTRB3}}$	137	D15	25	DV _{SS} [§]	111
A24	317	C4D0	108	$\overline{\text{CSTRB4}}$	85	D16	17	DV _{SS} [§]	133
A25	316	C4D1	107	$\overline{\text{CSTRB5}}$	81	D17	16	DV _{SS} [§]	134
A26	315	C4D2	106	CV _{SS} [†]	18	D18	15	DV _{SS} [§]	157
A27	314	C4D3	105	CV _{SS} [†]	19	D19	14	DV _{SS} [§]	158
A28	312	C4D4	104	CV _{SS} [†]	46	D20	13	DV _{SS} [§]	182
A29	311	C4D5	103	CV _{SS} [†]	47	D21	12	DV _{SS} [§]	183
A30	310	C4D6	102	CV _{SS} [†]	88	D22	11	DV _{SS} [§]	220
$\overline{\text{AE}}$	75	C4D7	101	CV _{SS} [†]	109	D23	10	DV _{SS} [§]	221
C0D0	177	C5D0	99	CV _{SS} [†]	132	D24	9	DV _{SS} [§]	242
C0D1	176	C5D1	98	CV _{SS} [†]	155	D25	8	DV _{SS} [§]	243
C0D2	175	C5D2	97	CV _{SS} [†]	156	D26	6	DV _{SS} [§]	261
C0D3	174	C5D3	96	CV _{SS} [†]	178	D27	5	DV _{SS} [§]	262
C0D4	173	C5D4	95	CV _{SS} [†]	196	D28	4	DV _{SS} [§]	283
C0D5	172	C5D5	94	CV _{SS} [†]	217	D29	3	DV _{SS} [§]	284
C0D6	171	C5D6	93	CV _{SS} [†]	218	D30	2	DV _{SS} [§]	308
C0D7	170	C5D7	92	CV _{SS} [†]	240	D31	1	DV _{SS} [§]	309

† CV_{SS} and IV_{SS} pins are connected internally.

‡ DV_{DD}, LADV_{DD}, LDDV_{DD}, GDDV_{DD}, and GADV_{DD} pins are connected internally.

§ DV_{SS} pins are connected internally.

¶ V_{DDL} pins are connected internally.

V_{SSL} pins are connected internally.



HFH package pin assignments — alphabetical listing (continued)

NAME	NO.	NAME	NO.	NAME	NO.	NAME	NO.
DV _{SS} [§]	329	LA12	247	LD14	288	$\overline{\text{RDY}}_0$	52
DV _{SS} [§]	330	LA13	246	LD15	287	$\overline{\text{RDY}}_1$	43
DV _{SS} [§]	350	LA14	245	LD16	286	$\overline{\text{RESET}}$	79
DV _{SS} [§]	351	LA15	244	LD17	279	RESETLOC0	78
EMU0	59	LA16	237	LD18	278	RESETLOC1	76
EMU1	60	LA17	236	LD19	277	ROMEN	180
GADV _{DD} [‡]	313	LA18	235	LD20	276	R/ $\overline{\text{W}}_0$	73
GADV _{DD} [‡]	325	LA19	234	LD21	275	R/ $\overline{\text{W}}_1$	65
GADV _{DD} [‡]	326	LA20	233	LD22	274	STAT0	67
GADV _{DD} [‡]	344	LA21	232	LD23	273	STAT1	68
GDDV _{DD} [‡]	7	LA22	231	LD24	272	STAT2	70
GDDV _{DD} [‡]	21	LA23	230	LD25	271	STAT3	71
GDDV _{DD} [‡]	22	LA24	229	LD26	270	$\overline{\text{STRB}}_0$	74
GDDV _{DD} [‡]	36	LA25	228	LD27	269	$\overline{\text{STRB}}_1$	66
H1	204	LA26	227	LD28	267	SUBS	352
H3	203	LA27	225	LD29	266	TCK	54
$\overline{\text{TACK}}$	212	LA28	224	LD30	265	TCLK0	201
$\overline{\text{TIOF}}_0$	181	LA29	223	LD31	264	TCLK1	202
$\overline{\text{TIOF}}_1$	184	LA30	222	LDDV _{DD} [‡]	268	TDO	55
$\overline{\text{TIOF}}_2$	185	LADV _{DD} [‡]	226	LDDV _{DD} [‡]	280	TDI	56
$\overline{\text{TIOF}}_3$	186	LADV _{DD} [‡]	238	LDDV _{DD} [‡]	281	TMS	57
IV _{SS} [†]	20	LADV _{DD} [‡]	239	LDDV _{DD} [‡]	298	$\overline{\text{TRST}}$	58
IV _{SS} [†]	69	$\overline{\text{LAE}}$	256	$\overline{\text{LDE}}$	200	V _{DDL} [¶]	49
IV _{SS} [†]	122	$\overline{\text{LCE}}_0$	205	$\overline{\text{LLOCK}}$	207	V _{DDL} [¶]	140
IV _{SS} [†]	123	$\overline{\text{LCE}}_1$	192	$\overline{\text{LOCK}}$	48	V _{DDL} [¶]	213
IV _{SS} [†]	159	LD0	303	LPAGE0	190	V _{DDL} [¶]	304
IV _{SS} [†]	206	LD1	302	LPAGE1	197	V _{SSL} [#]	50
IV _{SS} [†]	285	LD2	301	$\overline{\text{LRDY}}_0$	191	V _{SSL} [#]	141
LA0	260	LD3	300	$\overline{\text{LRDY}}_1$	198	V _{SSL} [#]	214
LA1	259	LD4	299	LR/ $\overline{\text{W}}_0$	189	V _{SSL} [#]	305
LA2	258	LD5	297	LR/ $\overline{\text{W}}_1$	194	X1	215
LA3	257	LD6	296	LSTAT0	208	X2/CLKIN	216
LA4	255	LD7	295	LSTAT1	209		
LA5	254	LD8	294	LSTAT2	210		
LA6	253	LD9	293	LSTAT3	211		
LA7	252	LD10	292	$\overline{\text{LSTRB}}_0$	188		
LA8	251	LD11	291	$\overline{\text{LSTRB}}_1$	193		
LA9	250	LD12	290	NMI	187		
LA10	249	LD13	289	PAGE0	72		
LA11	248			PAGE1	64		

† CV_{SS} and IV_{SS} pins are connected internally.

‡ DV_{DD}, LADV_{DD}, LDDV_{DD}, GDDV_{DD}, and GADV_{DD} pins are connected internally.

§ DV_{SS} pins are connected internally.

¶ V_{DDL} pins are connected internally.

V_{SSL} pins are connected internally.

SMJ320C40, TMP320C40 DIGITAL SIGNAL PROCESSORS

SGUS017H - OCTOBER 1993 - REVISED OCTOBER 2001

HFH package pin assignments — numerical listing

NO.	NAME	NO.	NAME	NO.	NAME	NO.	NAME	NO.	NAME
1	D31	41	D0	81	$\overline{\text{CSTRB5}}$	121	$\text{DV}_{\text{DD}}^{\ddagger}$	161	C1D7
2	D30	42	$\overline{\text{CE1}}$	82	$\overline{\text{CACK5}}$	122	$\text{IV}_{\text{SS}}^{\dagger}$	162	C1D6
3	D29	43	$\overline{\text{RDY1}}$	83	$\overline{\text{CREQ5}}$	123	$\text{IV}_{\text{SS}}^{\dagger}$	163	C1D5
4	D28	44	$\text{DV}_{\text{SS}}^{\S}$	84	$\overline{\text{CRDY4}}$	124	C2D7	164	C1D4
5	D27	45	$\text{DV}_{\text{SS}}^{\S}$	85	$\overline{\text{CSTRB4}}$	125	C2D6	165	C1D3
6	D26	46	$\text{CV}_{\text{SS}}^{\dagger}$	86	$\overline{\text{CACK4}}$	126	C2D5	166	C1D2
7	$\text{GDDV}_{\text{DD}}^{\ddagger}$	47	$\text{CV}_{\text{SS}}^{\dagger}$	87	$\overline{\text{CREQ4}}$	127	C2D4	167	C1D1
8	D25	48	$\overline{\text{LOCK}}$	88	$\text{CV}_{\text{SS}}^{\dagger}$	128	C2D3	168	C1D0
9	D24	49	$\text{V}_{\text{DDL}}^{\text{¶}}$	89	$\text{DV}_{\text{SS}}^{\S}$	129	C2D2	169	$\text{DV}_{\text{DD}}^{\ddagger}$
10	D23	50	$\text{V}_{\text{SSL}}^{\#}$	90	$\text{DV}_{\text{SS}}^{\S}$	130	C2D1	170	C0D7
11	D22	51	$\overline{\text{CE0}}$	91	$\text{DV}_{\text{DD}}^{\ddagger}$	131	C2D0	171	C0D6
12	D21	52	$\overline{\text{RDY0}}$	92	C5D7	132	$\text{CV}_{\text{SS}}^{\dagger}$	172	C0D5
13	D20	53	$\overline{\text{DE}}$	93	C5D6	133	$\text{DV}_{\text{SS}}^{\S}$	173	C0D4
14	D19	54	TCK	94	C5D5	134	$\text{DV}_{\text{SS}}^{\S}$	174	C0D3
15	D18	55	TDO	95	C5D4	135	$\text{DV}_{\text{DD}}^{\ddagger}$	175	C0D2
16	D17	56	TDI	96	C5D3	136	$\overline{\text{CRDY3}}$	176	C0D1
17	D16	57	TMS	97	C5D2	137	$\overline{\text{CSTRB3}}$	177	C0D0
18	$\text{CV}_{\text{SS}}^{\dagger}$	58	$\overline{\text{TRST}}$	98	C5D1	138	$\overline{\text{CACK3}}$	178	$\text{CV}_{\text{SS}}^{\dagger}$
19	$\text{CV}_{\text{SS}}^{\dagger}$	59	EMU0	99	C5D0	139	$\overline{\text{CREQ3}}$	179	$\text{DV}_{\text{DD}}^{\ddagger}$
20	$\text{IV}_{\text{SS}}^{\dagger}$	60	EMU1	100	$\text{DV}_{\text{DD}}^{\ddagger}$	140	$\text{V}_{\text{DDL}}^{\text{¶}}$	180	ROMEN
21	$\text{GDDV}_{\text{DD}}^{\ddagger}$	61	$\text{DV}_{\text{SS}}^{\S}$	101	C4D7	141	$\text{V}_{\text{SSL}}^{\#}$	181	$\overline{\text{IIOF0}}$
22	$\text{GDDV}_{\text{DD}}^{\ddagger}$	62	$\text{DV}_{\text{SS}}^{\S}$	102	C4D6	142	$\overline{\text{CRDY2}}$	182	$\text{DV}_{\text{SS}}^{\S}$
23	$\text{DV}_{\text{SS}}^{\S}$	63	$\text{DV}_{\text{DD}}^{\ddagger}$	103	C4D5	143	$\overline{\text{CSTRB2}}$	183	$\text{DV}_{\text{SS}}^{\S}$
24	$\text{DV}_{\text{SS}}^{\S}$	64	PAGE1	104	C4D4	144	$\overline{\text{CACK2}}$	184	$\overline{\text{IIOF1}}$
25	D15	65	R/W1	105	C4D3	145	$\overline{\text{CREQ2}}$	185	$\overline{\text{IIOF2}}$
26	D14	66	$\overline{\text{STRB1}}$	106	C4D2	146	$\text{DV}_{\text{DD}}^{\ddagger}$	186	$\overline{\text{IIOF3}}$
27	D13	67	STAT0	107	C4D1	147	$\overline{\text{CRDY1}}$	187	NMI
28	D12	68	STAT1	108	C4D0	148	$\overline{\text{CSTRB1}}$	188	$\overline{\text{LSTRB0}}$
29	D11	69	$\text{IV}_{\text{SS}}^{\dagger}$	109	$\text{CV}_{\text{SS}}^{\dagger}$	149	$\overline{\text{CACK1}}$	189	LR/W0
30	D10	70	STAT2	110	$\text{DV}_{\text{SS}}^{\S}$	150	$\overline{\text{CREQ1}}$	190	LPAGE0
31	D9	71	STAT3	111	$\text{DV}_{\text{SS}}^{\S}$	151	$\overline{\text{CRDY0}}$	191	$\overline{\text{LRDY0}}$
32	D8	72	PAGE0	112	$\text{DV}_{\text{DD}}^{\ddagger}$	152	$\overline{\text{CSTRB0}}$	192	$\overline{\text{LCE0}}$
33	D7	73	R/W0	113	C3D7	153	$\overline{\text{CACK0}}$	193	$\overline{\text{LSTRB1}}$
34	D6	74	$\overline{\text{STRB0}}$	114	C3D6	154	$\overline{\text{CREQ0}}$	194	LR/W1
35	D5	75	$\overline{\text{AE}}$	115	C3D5	155	$\text{CV}_{\text{SS}}^{\dagger}$	195	$\text{DV}_{\text{DD}}^{\ddagger}$
36	$\text{GDDV}_{\text{DD}}^{\ddagger}$	76	RESETLOC1	116	C3D4	156	$\text{CV}_{\text{SS}}^{\dagger}$	196	$\text{CV}_{\text{SS}}^{\dagger}$
37	D4	77	$\text{DV}_{\text{DD}}^{\ddagger}$	117	C3D3	157	$\text{DV}_{\text{SS}}^{\S}$	197	LPAGE1
38	D3	78	RESETLOC0	118	C3D2	158	$\text{DV}_{\text{SS}}^{\S}$	198	$\overline{\text{LRDY1}}$
39	D2	79	RESET	119	C3D1	159	$\text{IV}_{\text{SS}}^{\dagger}$	199	$\overline{\text{LCET}}$
40	D1	80	$\overline{\text{CRDY5}}$	120	C3D0	160	$\text{DV}_{\text{DD}}^{\ddagger}$	200	$\overline{\text{LDE}}$

[†] CV_{SS} and IV_{SS} pins are connected internally.

[‡] DV_{DD} , LADV_{DD} , LDDV_{DD} , GDDV_{DD} , and GADV_{DD} pins are connected internally.

[§] DV_{SS} pins are connected internally.

[¶] V_{DDL} pins are connected internally.

[#] V_{SSL} pins are connected internally.



HFH package pin assignments — numerical listing (continued)

NO.	NAME	NO.	NAME	NO.	NAME	NO.	NAME
201	TCLK0	241	CV _{SS} [†]	281	LDDV _{DD} [‡]	321	A20
202	TCLK1	242	DV _{SS} [§]	282	CV _{SS} [†]	322	A19
203	H3	243	DV _{SS} [§]	283	DV _{SS} [§]	323	A18
204	H1	244	LA15	284	DV _{SS} [§]	324	A17
205	LAE	245	LA14	285	IV _{SS} [†]	325	GADV _{DD} [‡]
206	IV _{SS} [†]	246	LA13	286	LD16	326	GADV _{DD} [‡]
207	LLOCK	247	LA12	287	LD15	327	CV _{SS} [†]
208	LSTAT0	248	LA11	288	LD14	328	CV _{SS} [†]
209	LSTAT1	249	LA10	289	LD13	329	DV _{SS} [§]
210	LSTAT2	250	LA9	290	LD12	330	DV _{SS} [§]
211	LSTAT3	251	LA8	291	LD11	331	A16
212	LACK	252	LA7	292	LD10	332	A15
213	V _{DDL} [¶]	253	LA6	293	LD9	333	A14
214	V _{SSL} [#]	254	LA5	294	LD8	334	A13
215	X1	255	LA4	295	LD7	335	A12
216	X2/CLKIN	256	LADV _{DD} [‡]	296	LD6	336	A11
217	CV _{SS} [†]	257	LA3	297	LD5	337	A10
218	CV _{SS} [†]	258	LA2	298	LDDV _{DD} [‡]	338	A9
219	DV _{DD} [‡]	259	LA1	299	LD4	339	A8
220	DV _{SS} [§]	260	LA0	300	LD3	340	A7
221	DV _{SS} [§]	261	DV _{SS} [§]	301	LD2	341	A6
222	LA30	262	DV _{SS} [§]	302	LD1	342	A5
223	LA29	263	CV _{SS} [†]	303	LD0	343	A4
224	LA28	264	LD31	304	V _{DDL} [¶]	344	GADV _{DD} [‡]
225	LA27	265	LD30	305	V _{SSL} [#]	345	A3
226	LADV _{DD} [‡]	266	LD29	306	CV _{SS} [†]	346	A2
227	LA26	267	LD28	307	CV _{SS} [†]	347	A1
228	LA25	268	LDDV _{DD} [‡]	308	DV _{SS} [§]	348	A0
229	LA24	269	LD27	309	DV _{SS} [§]	349	CV _{SS} [†]
230	LA23	270	LD26	310	A30	350	DV _{SS} [§]
231	LA22	271	LD25	311	A29	351	DV _{SS} [§]
232	LA21	272	LD24	312	A28	352	SUBS
233	LA20	273	LD23	313	GADV _{DD} [‡]		
234	LA19	274	LD22	314	A27		
235	LA18	275	LD21	315	A26		
236	LA17	276	LD20	316	A25		
237	LA16	277	LD19	317	A24		
238	LADV _{DD} [‡]	278	LD18	318	A23		
239	LADV _{DD} [‡]	279	LD17	319	A22		
240	CV _{SS} [†]	280	LDDV _{DD} [‡]	320	A21		

[†] CV_{SS} and IV_{SS} pins are connected internally.

[‡] DV_{DD}, LADV_{DD}, LDDV_{DD}, GDDV_{DD}, and GADV_{DD} pins are connected internally.

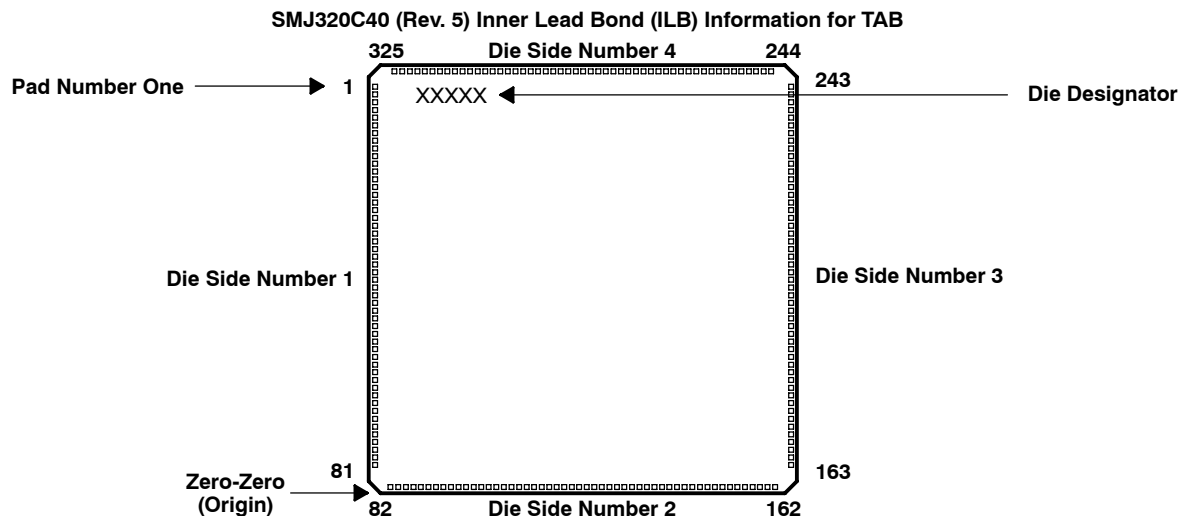
[§] DV_{SS} pins are connected internally.

[¶] V_{DDL} pins are connected internally.

[#] V_{SSL} pins are connected internally.

SMJ320C40, TMP320C40 DIGITAL SIGNAL PROCESSORS

SGUS017H - OCTOBER 1993 - REVISED OCTOBER 2001



**Figure 4. SMJ320C40 Die Numbering Format
(See Table 2)**

The inner lead bond (ILB) pitch for the tape automated bonding (TAB) leadframe is the same as the die bond pad pitch. Table 2 provides a reference for the following:

- A. The TAB lead numbers. The TAB lead numbers are the same as the die bond pad numbers.
- B. The C40 signal identities in relation to the pad numbers
- C. There are 325 bond pad locations, 325 TAB leads, and 324 test pad locations.
- D. The C40 X-,Y-coordinates, where bond pad 82 serves as the origin, (0,0)
- E. The inner lead bond pitch (ILB) is the same as the die bond pitch.
- F. The outer lead pitch is 0.25 ± 0.01 mm.
- G. The test pad pitch is 0.40 ± 0.01 mm.
- H. The tape width is 48 mm.
- I. Outer lead bond (OLB) 18, 19 connect to test pad 18.

In addition, the following notes are significant:

- J. X,Y coordinate data is in microns.
- K. Average pitch is $126 \mu\text{m}$ (4.96 mils).
- L. Smallest pitch value is $126 \mu\text{m}$ (4.96 mils).
- M. The active silicon dimensions are $12424.86 \mu\text{m} \times 12035.52 \mu\text{m}$ (489.16 mils \times 473.83 mils).
- N. The die size is approximately $12598.40 \mu\text{m} \times 12192.00 \mu\text{m}$ (496.00 mils \times 480.00 mils).
- O. Distance from diced silicon to polyimide support ring is $889 \mu\text{m}$ (35.0 mils).
- P. Bond pad dimensions are $108.00 \mu\text{m} \times 108.00 \mu\text{m}$ (4.25 mils \times 4.25 mils).
- Q. Center of bond pad to edge of die minimum (without scribe) = $107.80 \mu\text{m}$ (4.24 mils).
- R. The nominal die thickness is $381 \pm 50.8 \mu\text{m}$ (15 ± 2 mils).
- S. The polyimide encapsulant thickness is approximately $304.8 \mu\text{m}$ (12 mils).

SMJ320C40, TMP320C40 DIGITAL SIGNAL PROCESSORS

SGUS017H - OCTOBER 1993 - REVISED OCTOBER 2001

Table 2. SMJ320C40 Die Pad/TAB Lead Information : Rev. 5 (0,72 μm)

DIE SIDE #1				
C40 DIE BOND PAD LOCATIONS	DIE/TAB BOND PAD IDENTITY	X-COORDINATE OF THE DIE BOND PAD (μm)	Y-COORDINATE OF THE DIE BOND PAD (μm)	PITCH OF LEAD (#, #) REFERENCES WHICH DIE BOND PADS
1	D31	- 429.48	11368.44	126.00 (1, 2)
2	D30		11242.44	126.00 (2, 3)
3	D29		11116.44	126.00 (3, 4)
4	D28		10990.44	126.00 (4, 5)
5	D27		10864.44	126.00 (5, 6)
6	D26		10738.44	126.00 (6, 7)
7	GDDV _{DD}		10612.44	126.00 (7, 8)
8	D25		10486.44	126.00 (8, 9)
9	D24		10360.44	126.00 (9, 10)
10	D23		10234.44	126.00 (10, 11)
11	D22		10108.44	126.00 (11, 12)
12	D21		9982.44	126.00 (12, 13)
13	D20		9856.44	126.00 (13, 14)
14	D19		9730.44	126.00 (14, 15)
15	D18		9604.44	126.00 (15, 16)
16	D17		9478.44	126.00 (16, 17)
17	D16		9352.44	126.00 (17, 18)
18	CV _{SS}		9226.44	126.00 (18, 19)
19	IV _{SS}		9100.44	126.00 (19, 20)
20	GDDV _{DD}		8974.44	126.00 (20, 21)
21	DV _{SS}		8848.44	126.00 (21, 22)
22	D15		8722.44	126.00 (22, 23)
23	D14		8596.44	126.00 (23, 24)
24	D13		8470.44	126.00 (24, 25)
25	D12		8344.44	126.00 (25, 26)
26	D11		8218.44	126.00 (26, 27)
27	D10		8092.44	126.00 (27, 28)
28	D9		7966.44	126.00 (28, 29)
29	D8		7840.44	126.00 (29, 30)
30	D7		7714.44	126.00 (30, 31)
31	D6		7588.44	126.00 (31, 32)
32	D5		7462.44	126.00 (32, 33)
33	GDDV _{DD}		7336.44	126.00 (33, 34)
34	D4		7210.44	126.00 (34, 35)
35	D3		7084.44	126.00 (35, 36)
36	D2		6958.44	126.00 (36, 37)
37	D1		6832.44	126.00 (37, 38)
38	D0		6706.44	156.42 (38, 39)
39	CE ₁		6550.02	172.80 (39, 40)
40	RDY ₁		6377.22	152.10 (40, 41)
41	DV _{SS}		6225.12	126.00 (41, 42)
42	CV _{SS}		6099.12	126.00 (42, 43)



SMJ320C40, TMP320C40 DIGITAL SIGNAL PROCESSORS

SGUS017H - OCTOBER 1993 - REVISED OCTOBER 2001

Table 2. SMJ320C40 Die Pad/TAB Lead Information : Rev. 5 (0,72 μm) (Continued)

DIE SIDE #1 (CONTINUED)				
C40 DIE BOND PAD LOCATIONS	DIE/TAB BOND PAD IDENTITY	X-COORDINATE OF THE DIE BOND PAD	Y-COORDINATE OF THE DIE BOND PAD	PITCH OF LEAD (#, #) REFERENCES WHICH DIE BOND PADS
43	LOCK	- 429.48	5973.12	126.00 (43, 44)
44	V _{DDL}		5847.12	126.00 (44, 45)
45	V _{SSL}		5721.12	156.42 (45, 46)
46	CE0		5564.70	172.80 (46, 47)
47	RDY0		5391.90	172.80 (47, 48)
48	DE		5219.10	172.80 (48, 49)
49	TCK		5046.30	152.10 (49, 50)
50	TDO		4894.20	156.42 (50, 51)
51	TDI		4737.78	172.80 (51, 52)
52	TMS		4564.98	172.80 (52, 53)
53	TRST		4392.18	151.10 (53, 54)
54	EMU0		4240.08	126.00 (54, 55)
55	EMU1		4114.08	126.00 (55, 56)
56	DV _{SS}		3988.08	126.00 (56, 57)
57	DV _{DD}		3962.08	126.00 (57, 58)
58	PAGE1		3736.08	126.00 (58, 59)
59	R/W1		3610.08	126.00 (59, 60)
60	STRB1		3484.08	126.00 (60, 61)
61	STAT0		3358.08	126.00 (61, 62)
62	STAT1		3232.08	126.00 (62, 63)
63	IV _{SS}		3106.08	126.00 (63, 64)
64	STAT2		2980.08	126.00 (64, 65)
65	STAT3		2854.08	127.44 (65, 66)
66	PAGE0		2726.64	126.00 (66, 67)
67	R/W0		2600.64	126.00 (67, 68)
68	STRB0		2474.64	156.42 (68, 69)
69	AE		2318.22	174.24 (69, 70)
70	RESETLOC 1		2143.98	152.10 (70, 71)
71	DV _{DD}		1991.88	156.42 (71, 72)
72	RESETLOC 0		1835.46	172.80 (72, 73)
73	RESET		1662.66	172.80 (73, 74)
74	CRDY5	1510.56	126.00 (74, 75)	
75	CSTRB5	1384.56	126.00 (75, 76)	
76	CAK5	1258.56	126.00 (76, 77)	
77	CREQ5	1132.56	126.00 (77, 78)	
78	CRDY4	1006.56	126.00 (78, 79)	
79	CSTRB4	880.56	126.00 (79, 80)	
80	CAK4	754.56	126.00 (80, 81)	
81	CREQ4	628.56		



SMJ320C40, TMP320C40 DIGITAL SIGNAL PROCESSORS

SGUS017H - OCTOBER 1993 - REVISED OCTOBER 2001

Table 2. SMJ320C40 Die Pad/TAB Lead Information : Rev. 5 (0,72 μm) (Continued)

DIE SIDE #2				
C40 DIE BOND PAD LOCATIONS	DIE/TAB BOND PAD IDENTITY	X-COORDINATE OF THE DIE BOND PAD	Y-COORDINATE OF THE DIE BOND PAD	PITCH OF LEAD (#, #) REFERENCES WHICH DIE BOND PADS
82	CV _{SS}	0.00	0.00	1062.00 (82, 83)
83	DV _{SS}	1062.00		126.00 (83, 84)
84	DV _{DD}	1188.00		126.00 (84, 85)
85	C5D7	1314.00		126.00 (85, 86)
86	C5D6	1440.00		126.00 (86, 87)
87	C5D5	1566.00		126.00 (87, 88)
88	C5D4	1692.00		126.00 (88, 89)
89	C5D3	1818.00		126.00 (89, 90)
90	C5D2	1944.00		126.00 (90, 91)
91	C5D1	2070.00		126.00 (91, 92)
92	C5D0	2196.00		126.00 (92, 93)
93	DV _{DD}	2322.00		126.00 (93, 94)
94	C4D7	2448.00		126.00 (94, 95)
95	C4D6	2574.00		126.00 (95, 96)
96	C4D5	2700.00		126.00 (96, 97)
97	C4D4	2813.40		126.00 (97, 98)
98	C4D3	2952.00		126.00 (98, 99)
99	C4D2	3078.00		126.00 (99, 100)
100	C4D1	3204.00		126.00 (100, 101)
101	C4D0	3330.00		126.00 (101, 102)
102	CV _{SS}	3456.00		126.00 (102, 103)
103	DV _{SS}	3582.00		126.00 (103, 104)
104	DV _{DD}	3708.00		126.00 (104, 105)
105	C3D7	3834.00	126.00 (105, 106)	
106	C3D6	3960.00	126.00 (106, 107)	
107	C3D5	4086.00	126.00 (107, 108)	
108	C3D4	4212.00	126.00 (108, 109)	
109	C3D3	4338.00	126.00 (109, 110)	
110	C3D2	4464.00	126.00 (110, 111)	
111	C3D1	4590.00	126.00 (111, 112)	
112	C3D0	4716.00	126.00 (112, 113)	
113	DV _{DD}	4842.00	126.00 (113, 114)	
114	IV _{SS}	4968.00	126.00 (114, 115)	
115	C2D7	5094.00	126.00 (115, 116)	
116	C2D6	5220.00	126.00 (116, 117)	
117	C2D5	5346.00	126.00 (117, 118)	
118	C2D4	5472.00	126.00 (118, 119)	
119	C2D3	5598.00	126.00 (119, 120)	
120	C2D2	5724.00	126.00 (120, 121)	
121	C2D1	5850.00	126.00 (121, 122)	
122	C2D0	5976.00	126.00 (122, 123)	
123	CV _{SS}	6102.00	126.00 (123, 124)	



SMJ320C40, TMP320C40 DIGITAL SIGNAL PROCESSORS

SGUS017H - OCTOBER 1993 - REVISED OCTOBER 2001

Table 2. SMJ320C40 Die Pad/TAB Lead Information : Rev. 5 (0,72 μm) (Continued)

DIE SIDE #2 (CONTINUED)				
C40 DIE BOND PAD LOCATIONS	DIE/TAB BOND PAD IDENTITY	X-COORDINATE OF THE DIE BOND PAD	Y-COORDINATE OF THE DIE BOND PAD	PITCH OF LEAD (#, #) REFERENCES WHICH DIE BOND PADS
124	DV _{SS}	6228.00	0.00	126.00 (124, 125)
125	DV _{DD}	6354.00		126.00 (125, 126)
126	$\overline{\text{CRDY3}}$	6480.00		126.00 (126, 127)
127	$\overline{\text{CSTRB3}}$	6606.00		126.00 (127, 128)
128	$\overline{\text{CACK3}}$	6732.00		126.00 (128, 129)
129	$\overline{\text{CREQ3}}$	6858.00		126.00 (129, 130)
130	V _{DDL}	6984.00		126.00 (130, 131)
131	V _{SSL}	7110.00		126.00 (131, 132)
132	$\overline{\text{CRDY2}}$	7236.00		126.00 (132, 133)
133	$\overline{\text{CSTRB2}}$	7362.00		126.00 (133, 134)
134	$\overline{\text{CACK2}}$	7488.00		126.00 (134, 135)
135	$\overline{\text{CREQ2}}$	7614.00		126.00 (135, 136)
136	DV _{DD}	7740.00		126.00 (136, 137)
137	$\overline{\text{CRDY1}}$	7866.00		126.00 (137, 138)
138	$\overline{\text{CSTRB1}}$	7992.00		126.00 (138, 139)
139	$\overline{\text{CACK1}}$	8118.00		126.00 (139, 140)
140	$\overline{\text{CREQ1}}$	8244.00		126.00 (140, 141)
141	$\overline{\text{CRDY0}}$	8370.00		126.00 (141, 142)
142	$\overline{\text{CSTRB0}}$	8496.00		126.00 (142, 143)
143	$\overline{\text{CACK0}}$	8622.00		126.00 (143, 144)
144	$\overline{\text{CREQ0}}$	8748.00		126.00 (144, 145)
145	CV _{SS}	8874.00		126.00 (145, 146)
146	DV _{SS}	9000.00		126.00 (146, 147)
147	IV _{SS}	9126.00		126.00 (147, 148)
148	DV _{DD}	9252.00		126.00 (148, 149)
149	C1D7	9378.00		126.00 (149, 150)
150	C1D6	9504.00		126.00 (150, 151)
151	C1D5	9630.00		126.00 (151, 152)
152	C1D4	9756.00		126.00 (152, 153)
153	C1D3	9882.00		126.00 (153, 154)
154	C1D2	10008.00		126.00 (154, 155)
155	C1D1	10134.00		126.00 (155, 156)
156	C1D0	10260.00		126.00 (156, 157)
157	DV _{DD}	10386.00		126.00 (157, 158)
158	C0D7	10512.00		126.00 (158, 159)
159	C0D6	10638.00		126.00 (159, 160)
160	C0D5	10764.00		126.00 (160, 161)
161	C0D4	10890.00		126.00 (161, 162)
162	C0D3	11016.00		



SMJ320C40, TMP320C40 DIGITAL SIGNAL PROCESSORS

SGUS017H - OCTOBER 1993 - REVISED OCTOBER 2001

Table 2. SMJ320C40 Die Pad/TAB Lead Information : Rev. 5 (0,72 μm) (Continued)

DIE SIDE #3				
C40 DIE BOND PAD LOCATIONS	DIE/TAB BOND PAD IDENTITY	X-COORDINATE OF THE DIE BOND PAD	Y-COORDINATE OF THE DIE BOND PAD	PITCH OF LEAD (#, #) REFERENCES WHICH DIE BOND PADS
163	C0D2	11779.74	810.00	126.00 (163, 164)
164	C0D1		936.00	126.00 (164, 165)
165	C0D0		1062.00	126.00 (165, 166)
166	CV _{SS}		1188.00	126.00 (166, 167)
167	DV _{DD}		1314.00	156.42 (167, 168)
168	ROMEN		1470.42	152.46 (168, 169)
169	IIOF0		1622.88	126.00 (169, 170)
170	DV _{SS}		1748.88	126.00 (170, 171)
171	IIOF1		1874.88	126.00 (171, 172)
172	IIOF2		2000.88	126.00 (172, 173)
173	IIOF3		2126.88	156.42 (173, 174)
174	NMI		2283.30	152.10 (174, 175)
175	LSTRB0		2435.40	126.00 (175, 176)
176	LR/W0		2561.40	126.00 (176, 177)
177	LPAGE0		2687.40	156.42 (177, 178)
178	LRDY0		2843.82	172.80 (178, 179)
179	LCE0		3016.62	152.10 (179, 180)
180	LSTRB1		3168.72	126.00 (180, 181)
181	LR/W1		3294.72	126.00 (181, 182)
182	DV _{DD}		3420.72	126.00 (182, 183)
183	CV _{SS}		3546.72	126.00 (183, 184)
184	LPAGE1		3672.72	156.42 (184, 185)
185	LRDY1		3829.14	172.80 (185, 186)
186	LCE1		4001.94	172.80 (186, 187)
187	LDE		4174.74	152.10 (187, 188)
188	TCLK0		4326.84	126.00 (188, 189)
189	TCLK1		4452.84	126.00 (189, 190)
190	H3		4578.84	126.00 (190, 191)
191	H1		4704.84	156.42 (191, 192)
192	LAE		4861.26	152.10 (192, 193)
193	IV _{SS}		5013.36	126.00 (193, 194)
194	LLOCK		5139.36	126.00 (194, 195)
195	LSTAT0		5265.36	126.00 (195, 196)
196	LSTAT1		5391.36	126.00 (196, 197)
197	LSTAT2		5517.36	126.00 (197, 198)
198	LSTAT3		5643.36	127.44 (198, 199)
199	IACK		5770.80	126.00 (199, 200)
200	V _{DDL}		5896.80	126.00 (200, 201)
201	V _{SSL}		6022.80	131.94 (201, 202)
202	X1		6154.74	171.58 (202, 203)
203	X2/CLKIN	6326.28	168.12 (203, 204)	
204	CV _{SS}	6494.40	126.00 (204, 205)	



SMJ320C40, TMP320C40 DIGITAL SIGNAL PROCESSORS

SGUS017H - OCTOBER 1993 - REVISED OCTOBER 2001

Table 2. SMJ320C40 Die Pad/TAB Lead Information : Rev. 5 (0,72 μm) (Continued)

DIE SIDE #3 (CONTINUED)				
C40 DIE BOND PAD LOCATIONS	DIE/TAB BOND PAD IDENTITY	X-COORDINATE OF THE DIE BOND PAD	Y-COORDINATE OF THE DIE BOND PAD	PITCH OF LEAD (#, #) REFERENCES WHICH DIE BOND PADS
205	DV _{DD}	11779.74	6620.40	126.00 (205, 206)
206	DV _{SS}		6746.40	127.44 (206, 207)
207	LA30		6873.84	126.00 (207, 208)
208	LA29		6999.84	126.00 (208, 209)
209	LA28		7125.84	126.00 (209, 210)
210	LA27		7251.84	126.00 (210, 211)
211	LADV _{DD}		7377.84	126.00 (211, 212)
212	LA26		7503.84	126.00 (212, 213)
213	LA25		7629.84	126.00 (213, 214)
214	LA24		7755.84	126.00 (214, 215)
215	LA23		7881.84	126.00 (215, 216)
216	LA22		8007.84	126.00 (216, 217)
217	LA21		8133.84	126.00 (217, 218)
218	LA20		8259.84	126.00 (218, 219)
219	LA19		8385.84	126.00 (219, 220)
220	LA18		8511.84	126.00 (220, 221)
221	LA17		8637.84	126.00 (221, 222)
222	LA16		8763.84	126.00 (222, 223)
223	LADV _{DD}		8889.84	126.00 (223, 224)
224	CV _{SS}		9015.84	126.00 (224, 225)
225	DV _{SS}		9141.84	126.00 (225, 226)
226	LA15		9267.84	126.00 (226, 227)
227	LA14		9393.84	126.00 (227, 228)
228	LA13		9519.84	126.00 (228, 229)
229	LA12		9645.84	126.00 (229, 230)
230	LA11		9771.84	126.00 (230, 231)
231	LA10		9897.84	126.00 (231, 232)
232	LA9		10023.84	126.00 (232, 233)
233	LA8		10149.84	126.00 (233, 234)
234	LA7		10275.84	126.00 (234, 235)
235	LA6		10401.84	126.00 (235, 236)
236	LA5		10527.84	126.00 (236, 237)
237	LA4		10653.84	126.00 (237, 238)
238	LADV _{DD}		10779.84	126.00 (238, 239)
239	LA3		10905.84	126.00 (239, 240)
240	LA2		11031.84	126.00 (240, 241)
241	LA1		11157.84	126.00 (241, 242)
242	LA0		11283.84	205.92 (242, 243)
243	DV _{SS}		11489.76	



SMJ320C40, TMP320C40 DIGITAL SIGNAL PROCESSORS

SGUS017H - OCTOBER 1993 - REVISED OCTOBER 2001

Table 2. SMJ320C40 Die Pad/TAB Lead Information : Rev. 5 (0,72 μ m) (Continued)

DIE SIDE #4				
C40 DIE BOND PAD LOCATIONS	DIE/TAB BOND PAD IDENTITY	X-COORDINATE OF THE DIE BOND PAD	Y-COORDINATE OF THE DIE BOND PAD	PITCH OF LEAD (#, #) REFERENCES WHICH DIE BOND PADS
244	CV _{SS}	10953.72	11819.88	126.00 (244, 245)
245	LD31	10827.72		126.00 (245, 246)
246	LD30	10701.72		126.00 (246, 247)
247	LD29	10575.72		126.00 (247, 248)
248	LD28	10449.72		126.00 (248, 249)
249	LDDV _{DD}	10323.72		126.00 (249, 250)
250	LD27	10197.72		126.00 (250, 251)
251	LD26	10071.72		126.00 (251, 252)
252	LD25	9945.72		126.00 (252, 253)
253	LD24	9819.72		126.00 (253, 254)
254	LD23	9693.72		126.00 (254, 255)
255	LD22	9567.72		126.00 (255, 256)
256	LD21	9441.72		126.00 (256, 257)
257	LD20	9315.72		126.00 (257, 258)
258	LD19	9189.72		126.00 (258, 259)
259	LD18	9063.72		126.00 (259, 260)
260	LD17	8937.72		126.00 (260, 261)
261	LDDV _{DD}	8811.72		126.00 (261, 262)
262	CV _{SS}	8685.72		126.00 (262, 263)
263	DV _{SS}	8559.72		126.00 (263, 264)
264	IV _{SS}	8433.72		126.00 (264, 265)
265	LD16	8307.72		126.00 (265, 266)
266	LD15	8181.72		126.00 (266, 267)
267	LD14	8055.72		126.00 (267, 268)
268	LD13	7929.72		126.00 (268, 269)
269	LD12	7803.72		126.00 (269, 270)
270	LD11	7677.72		126.00 (270, 271)
271	LD10	7551.72		126.00 (271, 272)
272	LD9	7425.72		126.00 (272, 273)
273	LD8	7299.72		126.00 (273, 274)
274	LD7	7173.72		126.00 (274, 275)
275	LD6	7047.72		126.00 (275, 276)
276	LD5	6921.72		126.00 (276, 277)
277	LDDV _{DD}	6795.72		126.00 (277, 278)
278	LD4	6669.72		126.00 (278, 279)
279	LD3	6543.72	126.00 (279, 280)	
280	LD2	6417.72	126.00 (280, 281)	
281	LD1	6291.72	126.00 (281, 282)	
282	LD0	6165.72	127.62 (282, 283)	
283	V _{DDL}	6038.10	126.00 (283, 284)	
284	V _{SSL}	5912.10	126.00 (284, 285)	
285	CV _{SS}	5786.10	126.00 (285, 286)	



SMJ320C40, TMP320C40 DIGITAL SIGNAL PROCESSORS

SGUS017H - OCTOBER 1993 - REVISED OCTOBER 2001

Table 2. SMJ320C40 Die Pad/TAB Lead Information : Rev. 5 (0,72 μm) (Continued)

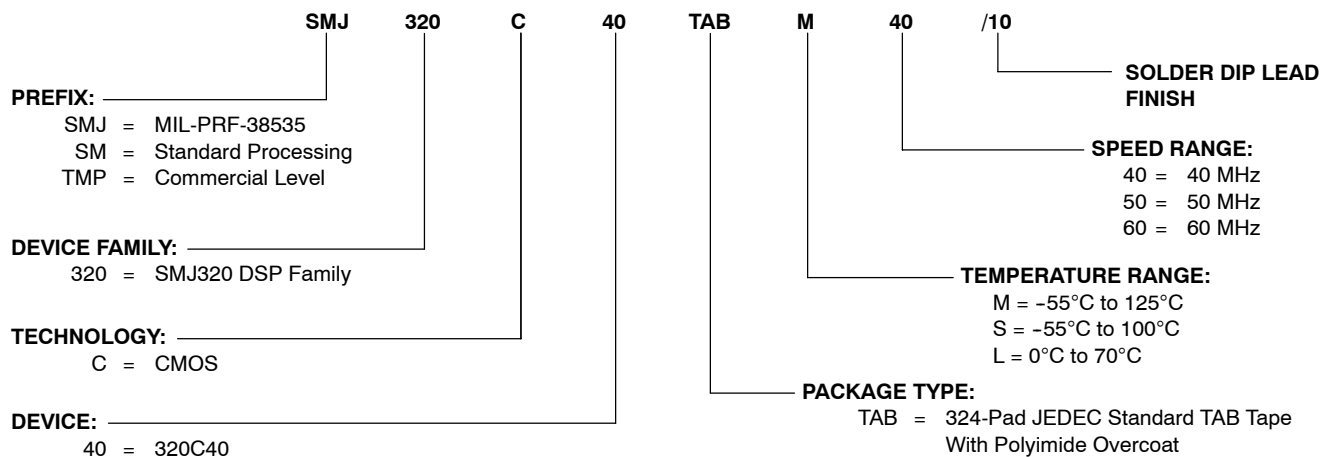
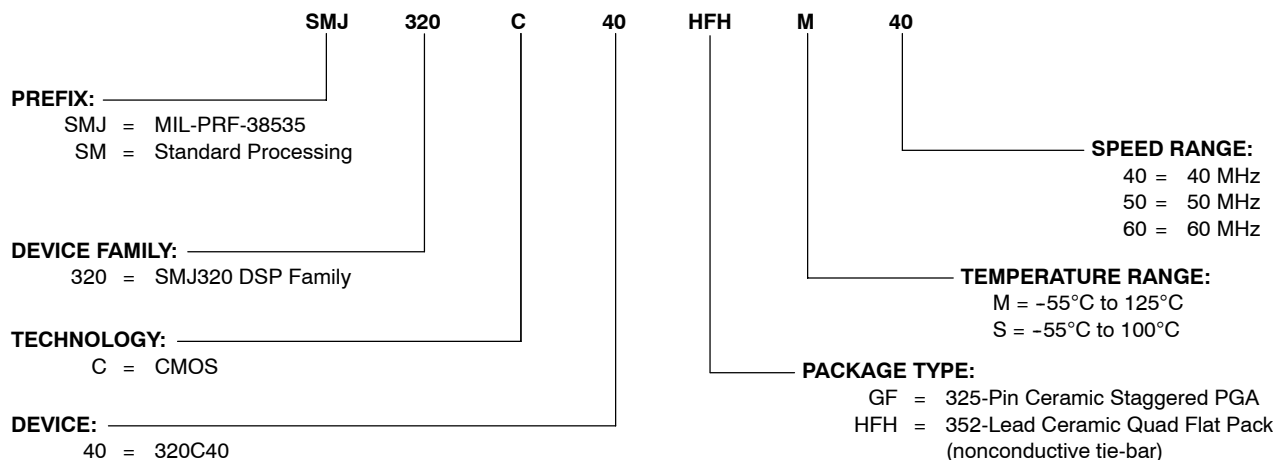
DIE SIDE #4 (CONTINUED)				
C40 DIE BOND PAD LOCATIONS	DIE/TAB BOND PAD IDENTITY	X-COORDINATE OF THE DIE BOND PAD	Y-COORDINATE OF THE DIE BOND PAD	PITCH OF LEAD (#, #) REFERENCES WHICH DIE BOND PADS
286	DV _{SS}	5660.10	11819.88	126.00 (286, 287)
287	A30	5534.10		126.00 (287, 288)
288	A29	5408.10		126.00 (288, 289)
289	A28	5282.10		126.00 (289, 290)
290	GADV _{DD}	5156.10		126.00 (290, 291)
291	A27	5030.10		126.00 (291, 292)
292	A26	4904.10		126.00 (292, 293)
293	A25	4778.10		126.00 (293, 294)
294	A24	4652.10		126.00 (294, 295)
295	A23	4526.10		126.00 (295, 296)
296	A22	4400.10		126.00 (296, 297)
297	A21	4274.10		126.00 (297, 298)
298	A20	4148.10		126.00 (298, 299)
299	A19	4022.10		126.00 (299, 300)
300	A18	3896.10		126.00 (300, 301)
301	A17	3770.10		126.00 (301, 302)
302	GADV _{DD}	3644.10		126.00 (302, 303)
303	CV _{SS}	3518.10		126.00 (303, 304)
304	DV _{SS}	3392.10		126.00 (304, 305)
305	A16	3266.10		126.00 (305, 306)
306	A15	3140.10		126.00 (306, 307)
307	A14	3014.10		126.00 (307, 308)
308	A13	2888.10		126.00 (308, 309)
309	A12	2762.10		126.00 (309, 310)
310	A11	2636.10		126.00 (310, 311)
311	A10	2510.10		126.00 (311, 312)
312	A9	2384.10		126.00 (312, 313)
313	A8	2258.10		126.00 (313, 314)
314	A7	2132.10		126.00 (314, 315)
315	A6	2006.10		126.00 (315, 316)
316	A5	1880.10		126.00 (316, 317)
317	A4	1754.10		126.00 (317, 318)
318	GADV _{DD}	1628.10		126.00 (318, 319)
319	A3	1502.10		126.00 (319, 320)
320	A2	1376.10		126.00 (320, 321)
321	A1	1250.10	126.00 (321, 322)	
322	A0	1124.10	126.00 (322, 323)	
323	CV _{SS}	998.10	558.00 (323, 324)	
324	DV _{SS}	440.10	630.00 (324, 325)	
325	SUBS	- 189.90		



SMJ320C40, TMP320C40 DIGITAL SIGNAL PROCESSORS

SGUS017H - OCTOBER 1993 - REVISED OCTOBER 2001

SMJ320C40 device nomenclature



SMJ320C40, TMP320C40 DIGITAL SIGNAL PROCESSORS

SGUS017H - OCTOBER 1993 - REVISED OCTOBER 2001

absolute maximum ratings over operating case temperature range (unless otherwise noted)[†]

Supply voltage range, V_{DD} (see Note 1)		- 0.3 V to 7 V
Input voltage range		- 0.3 V to 7 V
Output voltage range		- 0.3 V to 7 V
Operating case temperature range, T_C	(M version)	- 55°C to 125°C
	(S version)	- 55°C to 100°C
	(C version)	- 25°C to 85°C
	(L version)	0°C to 70°C
Storage temperature range, T_{stg}		- 65°C to 150°C

[†] Stresses beyond those listed under "absolute maximum ratings" may cause permanent damage to the device. These are stress ratings only and functional operation of the device at these or any other conditions beyond those indicated under "recommended operating conditions" is not implied. Exposure to absolute-maximum-rated conditions for extended periods may affect device reliability.

NOTE 1: All voltage values are with respect to V_{SS} .

recommended operating conditions (see Note 2)

		MIN	NOM [‡]	MAX	UNIT	
V_{DD}	Supply voltages (DV_{DD} , etc.)	SMJ320C40-40	4.75	5	5.25	V
		SMJ320C40-50	4.75	5	5.25	
		SMJ320C40-60	4.75	5	5.25	
V_{SS}	Supply voltages (CV_{SS} , etc.)		0		V	
V_{IH}	High-level input voltage	X2/CLKIN	2.6		$V_{DD} + 0.3^*$	V
		\overline{CSTRBx} , \overline{CRDYx}^{\S} , \overline{CREQx} , \overline{CACKx}	2.2		$V_{DD} + 0.3^*$	
		All other pins	2		$V_{DD} + 0.3^*$	
V_{IL}	Low-level input voltage	- 0.3*		0.8	V	
I_{OH}	High-level output current			- 300	μA	
I_{OL}	Low-level output current			2	mA	
T_C	Operating case temperature (see Note 3)	M version	-55		125	°C
		S version	-55		100	
		C version	-25		85	
		L version	0		70	

[‡] All nominal values are at $V_{DD} = 5$ V, T_A (ambient-air temperature) = 25°C.

^{\S} \overline{CRDYx} is 2.6 V minimum for TAB package only.

* On products compliant to MIL-PRF-38535, this parameter is not production tested.

NOTES: 2. All input and output voltage levels are TTL-compatible.

3. T_C MAX at maximum rated operating conditions at any point on case. T_C MIN at initial (time zero) power-up.



electrical characteristics over specified case temperature range (see Note 2)

PARAMETER		TEST CONDITIONS	MIN	TYP†	MAX	UNIT
V _{OH}	High-level output voltage	V _{DD} = MIN, I _{OH} = MAX	2.4	3		V
V _{OL}	Low-level output voltage	V _{DD} = MIN, I _{OL} = MAX		0.3	0.6	V
I _Z	Three-state current	V _{DD} = MAX	-20		20	μA
I _I	Input current	V _I = V _{SS} to V _{DD}	-10		10	μA
I _I PU	Input current (TDI, TCK, and TMS)	V _I = V _{SS} to V _{DD} (See Note 4)	-400		20	μA
I _I PD	Input current (TRST)	V _I = V _{SS} to V _{DD} (See Note 4)	-20		400	μA
I _I C	Input current, X2/CLKIN only	V _I = V _{SS} to V _{DD}	-50		50	μA
I _{CC}	Supply current	V _{DD} = MAX, T _A = 25°C, f _x = MAX (See Note 5)	320C40-40	350	850	mA
			320C40-50			
			320C40-60	350	950	
C _I	Input capacitance				15*	pF
C _O	Output capacitance				15*	pF

† All nominal values are at V_{DD} = 5 V, T_A = 25°C.

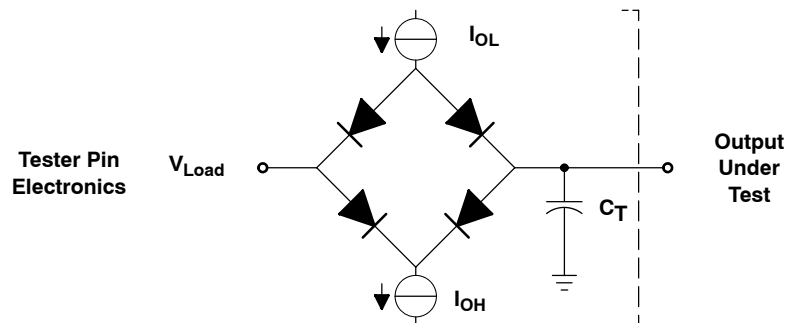
* On products compliant to MIL-PRF-38535, this parameter is not production tested.

NOTES: 2. All input and output voltage levels are TTL-compatible.

4. Pins with internal pullup devices: TDI, TCK, TMS. Pin with internal pulldown device: TRST.

5. f_x is the input clock frequency. The maximum value (MAX) for the 320C40-40, 320C40-50, and 320C40-60 is 40, 50, and 60 MHz, respectively.

PARAMETER MEASUREMENT INFORMATION



Where: I_{OL} = 2 mA (all outputs)
 I_{OH} = 300 μA (all outputs)
 V_{Load} = 2.15 V
 C_T = 80 pF typical load circuit capacitance.

Figure 5. Test Load Circuit

PARAMETER MEASUREMENT INFORMATION

signal transition levels

TTL-level outputs are driven to a minimum logic-high level of 2.4 V and to a maximum logic-low level of 0.6 V. Output transition times are specified as follows:

For a high-to-low transition on a TTL-compatible output signal, the level at which the output is said to be no longer high is 2 V, and the level at which the output is said to be low is 1 V. For a low-to-high transition, the level at which the output is said to be no longer low is 1 V, and the level at which the output is said to be high is 2 V. See Figure 6.

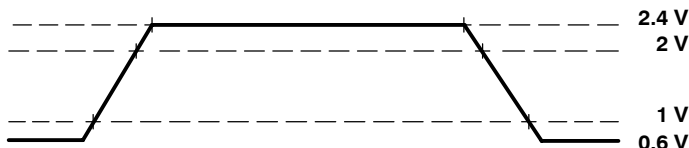
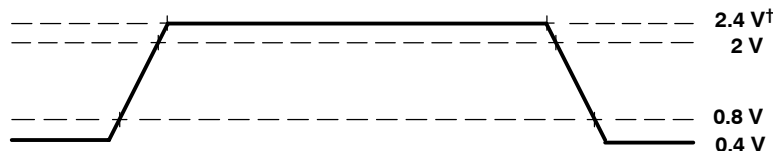


Figure 6. TTL-Level Outputs

Transition times for TTL-compatible inputs are specified as follows:

For a high-to-low transition on an input signal, the level at which the input is said to be no longer high is 2 V, and the level at which the input is said to be low is 0.8 V. For a low-to-high transition on an input signal, the level at which the input is said to be no longer low is 0.8 V, and the level at which the input is said to be high is 2 V. See Figure 7.



† Exceptions: $\frac{X2}{CLKIN}$ $V_{IH} = 3.12$ V and \overline{CSTRBx} , \overline{CRDYx} , \overline{CREQx} and \overline{CACKx} $V_{IH} = 2.64$ V.

Figure 7. TTL-Level Inputs

Timing measurements, excluding TR, TF, and T disable (output going to high impedance or an I/O output becoming an input), are referenced from an input trip point of 1.5 V to an output trip point of 2 V. Timing measurements from H1 and H3 are referenced from 2 V on the rising or falling edges. TR and TF times are referenced from 20% below V_{OH} minimum to 20% above V_{OL} maximum. T disable times are referenced from an input trip point of 1.5 V to 0.1 V below V_{OH} (TPHZ) or above V_{OL} (TPLZ). The I_{OL} and I_{OH} load current can be increased to reduce the RC time constant during TPHZ and TPLZ testing.

timing parameter symbology

Timing parameter symbols used herein were created in accordance with JEDEC Standard 100-A. To shorten the symbols, pin names that have both global and local applications generally are represented with (L) immediately preceding the basic signal name [for example, (L)RDY represents both the global term RDY and the local term LRDY]. Other pin names and related terminology have been abbreviated as follows, unless otherwise noted:

A	(L)A30-(L)A0 or (L)Ax	H	H1/H3
AE	$\overline{\text{LAE}}$, $\overline{\text{AE}}$, or $\overline{\text{(L)AE}}$	IACK	$\overline{\text{IACK}}$
ASYNCH	asynchronous reset signals	IIOF	$\overline{\text{IIOF(3-0)}}$ or $\overline{\text{IIOF}x}$
BYTE	byte transfer	LOCK	$\overline{\text{LOCK}}$, $\overline{\text{LOCK}}$, or $\overline{\text{(L)LOCK}}$
CA	$\overline{\text{CA CK(0-5)}}$ or $\overline{\text{CA CK}x}$	(L)RDY	$\overline{\text{(L)RDY0}}$, $\overline{\text{(L)RDY1}}$, or $\overline{\text{(L)RDY}x}$
CD	C(0-5)D7-C(0-5)D0 or CxDx	P	$t_{c(H)}$
CE	$\overline{\text{(L)CE0}}$, $\overline{\text{(L)CE1}}$, or $\overline{\text{(L)CE}x}$	PAGE	(L)PAGE0, (L)PAGE1, or (L)PAGEx
CI	X2/CLKIN	RESET	$\overline{\text{RESET}}$
COMM	asynchronous reset signals	RW	(L)R/W0, (L)R/W1, or (L)R/Wx
CONTROL	control signals	S	$\overline{\text{(L)STRB0}}$, $\overline{\text{(L)STRB1}}$, or $\overline{\text{(L)STRB}x}$
CRDY	$\overline{\text{CRDY(0-5)}}$ or $\overline{\text{CRDY}x}$	ST	(L)STAT3-(L)STAT0 or (L)STATx
CRQ	$\overline{\text{CREQ(0-5)}}$ or $\overline{\text{CREQ}x}$	TCK	TCK
CS	$\overline{\text{CSTRB(0-5)}}$ or $\overline{\text{CSTRB}x}$	TDO	TDO
D	(L)D31-(L)D0 or (L)Dx	TMS	TMS/TDI
DE	$\overline{\text{LDE}}$, $\overline{\text{DE}}$, or $\overline{\text{(L)DE}}$	WORD	word transfer

SMJ320C40, TMP320C40 DIGITAL SIGNAL PROCESSORS

SGUS017H - OCTOBER 1993 - REVISED OCTOBER 2001

timing parameters for X2/CLKIN, H1, H3 (see Figure 8 and Figure 9)

NO.		320C40-40		320C40-50		320C40-60		UNIT
		MIN	MAX	MIN	MAX	MIN	MAX	
1	$t_{f(CI)}$ Fall time, CLKIN		5*		5*		5*	ns
2	$t_{w(CIL)}$ Pulse duration, CLKIN low, $t_{c(CI)} = \text{min}$	8.5		7		5		ns
3	$t_{w(CIH)}$ Pulse duration, CLKIN high, $t_{c(CI)} = \text{min}$	8.5		7		5		ns
4	$t_{r(CI)}$ Rise time, CLKIN		5*		5*		5*	ns
5	$t_{c(CI)}$ Cycle time, CLKIN	25	242.5	20	242.5	16.67	242.5	ns
6	$t_{f(H)}$ Fall time, H1/H3		3*		3*		3*	ns
7	$t_{w(HL)}$ Pulse duration, H1/H3 low	$t_{c(CI)} - 6$	$t_{c(CI)} + 6$	$t_{c(CI)} - 6$	$t_{c(CI)} + 6$	$t_{c(CI)} - 6$	$t_{c(CI)} + 6$	ns
8	$t_{w(HH)}$ Pulse duration, H1/H3 high	$t_{c(CI)} - 6$	$t_{c(CI)} + 6$	$t_{c(CI)} - 6$	$t_{c(CI)} + 6$	$t_{c(CI)} - 6$	$t_{c(CI)} + 6$	ns
9	$t_{r(H)}$ Rise time, H1/H3		4*		4*		4*	ns
9.1	$t_{d(HL-HH)}$ Delay time, from H1 low to H3 high or from H3 low to H1 high	-1	4	-1	4	-1	4	ns
10	$t_{c(H)}$ Cycle time, H1/H3	50	485	40	485	33.3	485	ns

* On products compliant to MIL-PRF-38535, this parameter is not production tested.

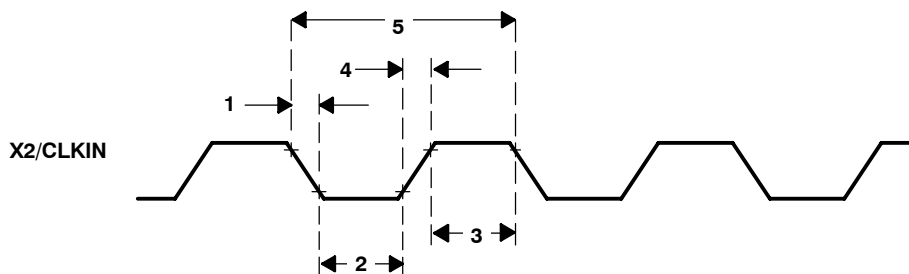


Figure 8. X2/CLKIN Timing

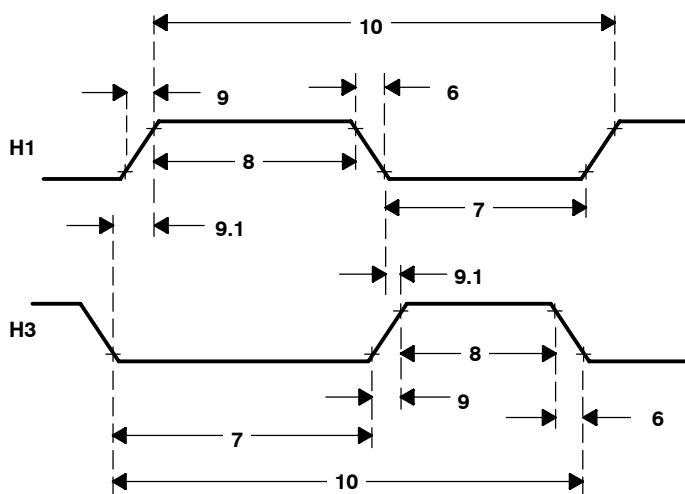


Figure 9. H1/H3 Timings

timing parameters for a memory read/write [(L)STRBx = 0] (see Note 6, Figure 10, and Figure 11)

NO.		320C40-40		320C40-50		320C40-60		UNIT
		MIN	MAX	MIN	MAX	MIN	MAX	
1	$t_{d(H1L-SL)}$ Delay time, H1 low to (L)STRBx low	0*	10	0*	10	0*	8	ns
2	$t_{d(H1L-SH)}$ Delay time, H1 low to (L)STRBx high	0*	10	0*	10	0*	8	ns
3	$t_{d(H1H-RWL)}$ Delay time, H1 high to (L)R/Wx low	0*	9	0*	9	0*	8	ns
4	$t_{d(H1L-A)}$ Delay time, H1 low to (L)Ax valid	0*	10	0*	9	0*	8	ns
5	$t_{su(D-H1L)R}$ Setup time, (L)Dx valid before H1 low (read)	15		10		9		ns
6	$t_{h(H1L-D)R}$ Hold time, (L)Dx after H1 low (read)	0		0		0		ns
7	$t_{su}[(L)RDYx-H1L]$ Setup time, (L)RDYx valid before H1 low	25		20		18*		ns
8	$t_{h[H1L-(L)RDY]}$ Hold time, (L)RDYx after H1 low	0		0		0		ns
8.1	$t_{d(H1L-ST)}$ Delay time, H1 low to (L)STAT3-(L)STAT0 valid		10		10		8	ns
9	$t_{d(H1H-RWH)W}$ Delay time, H1 high to (L)R/Wx high (write)		9		9	0*	8	ns
10	$t_{v(H1L-D)W}$ Valid time, (L)Dx after H1 low (write)		16		16		13	ns
11	$t_{h(H1H-D)W}$ Hold time, (L)Dx after H1 high (write)	0		0		0		ns
12	$t_{d(H1H-A)}$ Delay time, H1 high to address valid on back-to-back write cycles		13		13		8	ns

* On products compliant to MIL-PRF-38535, this parameter is not production tested.

NOTE 6: For consecutive reads, (L)R/Wx stays high and (L)STRBx stays low.

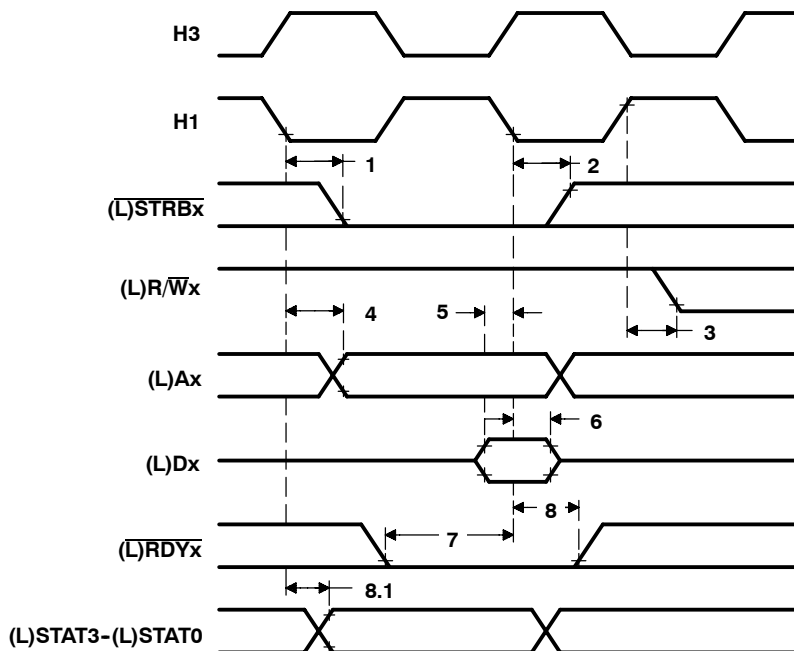


Figure 10. Memory-Read-Cycle Timing [(L)STRBx = 0]

PARAMETER MEASUREMENT INFORMATION

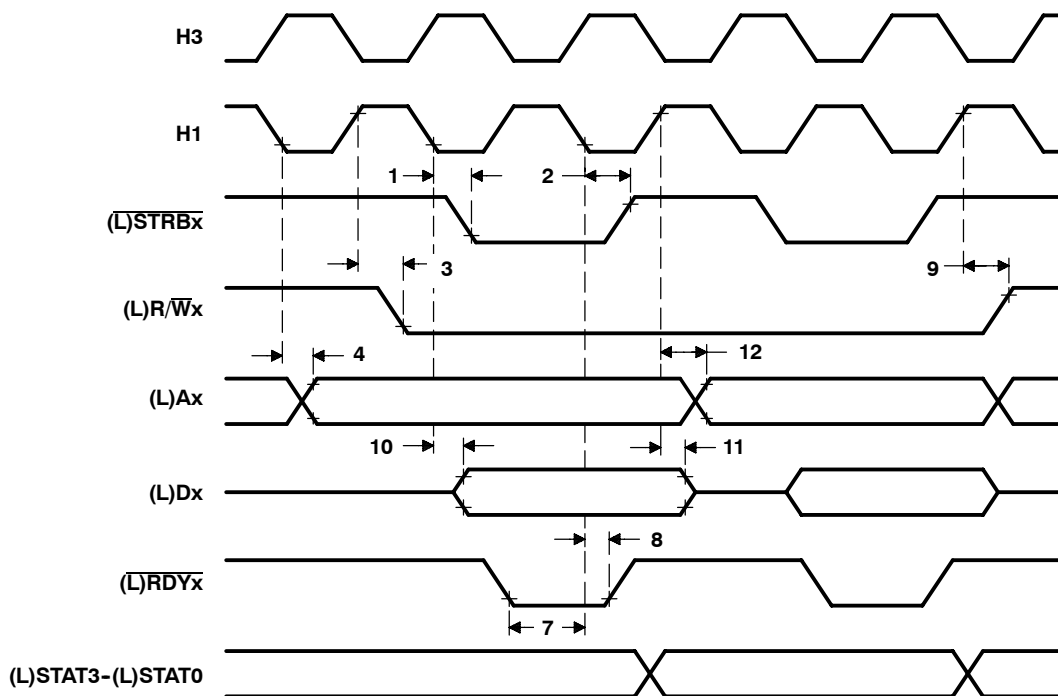


Figure 11. Memory-Write-Cycle Timing [(L)STRBx = 0]

(L)DE, (L)AE, and (L)CE \bar{x} enable timings (see Figure 12)

NO.		320C40-40 320C40-50		320C40-60		UNIT
		MIN*	MAX	MIN*	MAX	
1	$t_{d(DEL-DZ)}$ Delay time, (L)DE high to (L)D0-(L)D31 in the high-impedance state	0	15*	0	15*	ns
2	$t_{d(DEL-DV)}$ Delay time, (L)DE low to (L)D0-(L)D31 valid	0	22	0	16	ns
3	$t_{d(AEH-AZ)}$ Delay time, (L)AE high to (L)A0-(L)A30 in the high-impedance state	0	15*	0	15*	ns
4	$t_{d(AEL-AV)}$ Delay time, (L)AE low to (L)A0-(L)A30 valid	0	21	0	16	ns
5	$t_{d(CEH-RWZ)}$ Delay time, (L)CE \bar{x} high to (L)R/W0, (L)R/W1 in the high-impedance state	0	15*	0	15*	ns
6	$t_{d(CEL-RWV)}$ Delay time, (L)CE \bar{x} low to (L)R/W0, (L)R/W1 valid	0	21	0	16	ns
7	$t_{d(CEH-SZ)}$ Delay time, (L)CE \bar{x} high to (L)STRB0, (L)STRB1 in the high-impedance state	0	15*	0	15*	ns
8	$t_{d(CEL-SV)}$ Delay time, (L)CE \bar{x} low to (L)STRB0, (L)STRB1 valid	0	21	0	16	ns
9	$t_{d(CEH-PAGEZ)}$ Delay time, (L)CE \bar{x} high to (L)PAGE0, (L)PAGE1 in the high-impedance state	0	15*	0	15*	ns
10	$t_{d(CEL-PAGEV)}$ Delay time, (L)CE \bar{x} low to (L)PAGE0, (L)PAGE1 valid	0	21	0	16	ns

* On products compliant to MIL-PRF-38535, this parameter is not production tested.

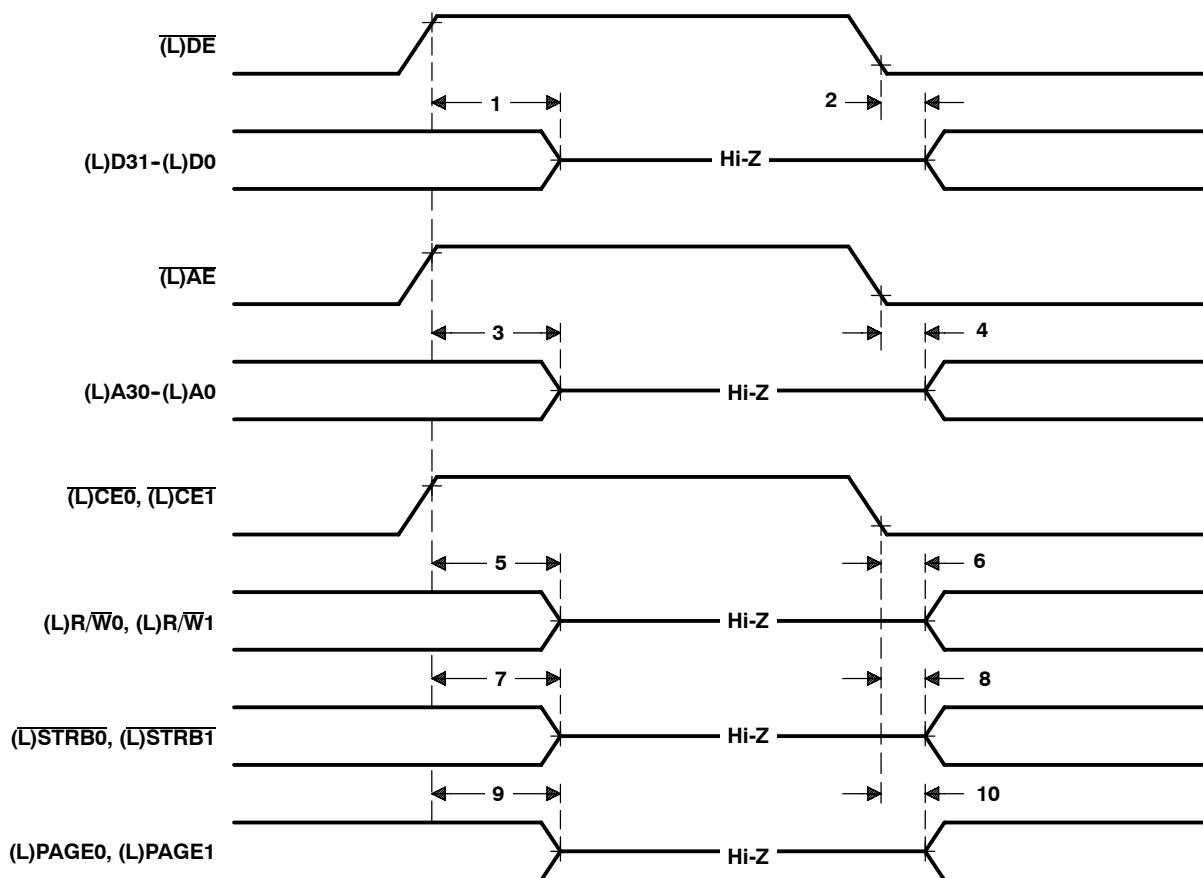


Figure 12. (L)DE, (L)AE, and (L)CE \bar{x} Enable Timings

SMJ320C40, TMP320C40 DIGITAL SIGNAL PROCESSORS

SGUS017H - OCTOBER 1993 - REVISED OCTOBER 2001

timing parameters for $\overline{\text{(L)LOCK}}$ when executing LDFI or LDII (see Figure 13)

NO.		320C40-40		320C40-50		320C40-60		UNIT
		MIN	MAX	MIN	MAX	MIN	MAX	
1	$t_{d(H1L-LOCKL)}$ Delay time, H1 low to $\overline{\text{(L)LOCK}}$ low		11		9		8	ns

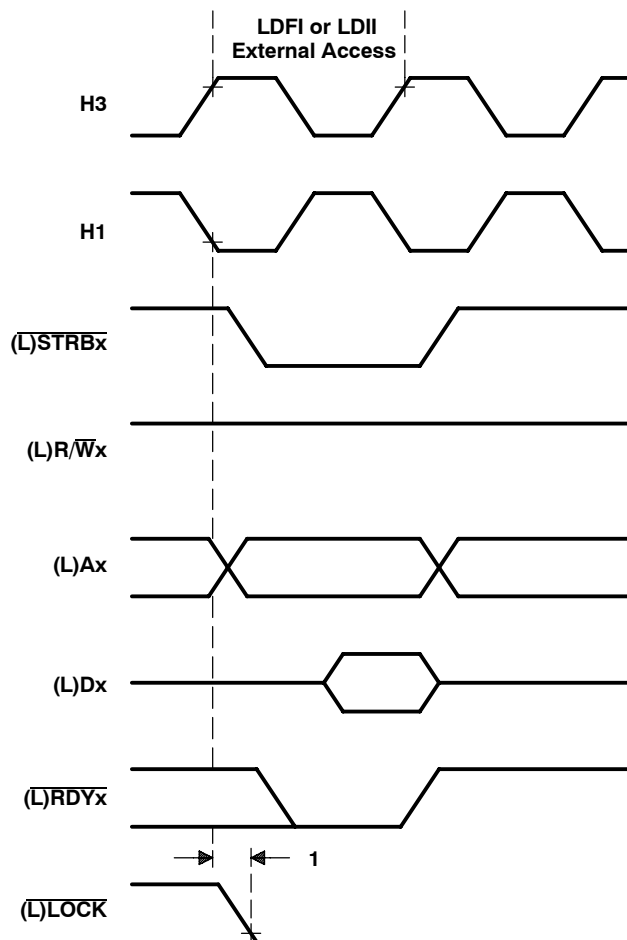


Figure 13. Timing for $\overline{\text{(L)LOCK}}$ When Executing LDFI or LDII

timing parameters for $\overline{\text{(L)}}\text{LOCK}$ when executing STFI or STII (see Figure 14)

NO.	PARAMETER	320C40-40		320C40-50		320C40-60		UNIT
		MIN	MAX	MIN	MAX	MIN	MAX	
1	$t_{d(\text{H1L-LOCKH})}$ Delay time, H1 low to $\overline{\text{(L)}}\text{LOCK}$ high		11		9		8	ns

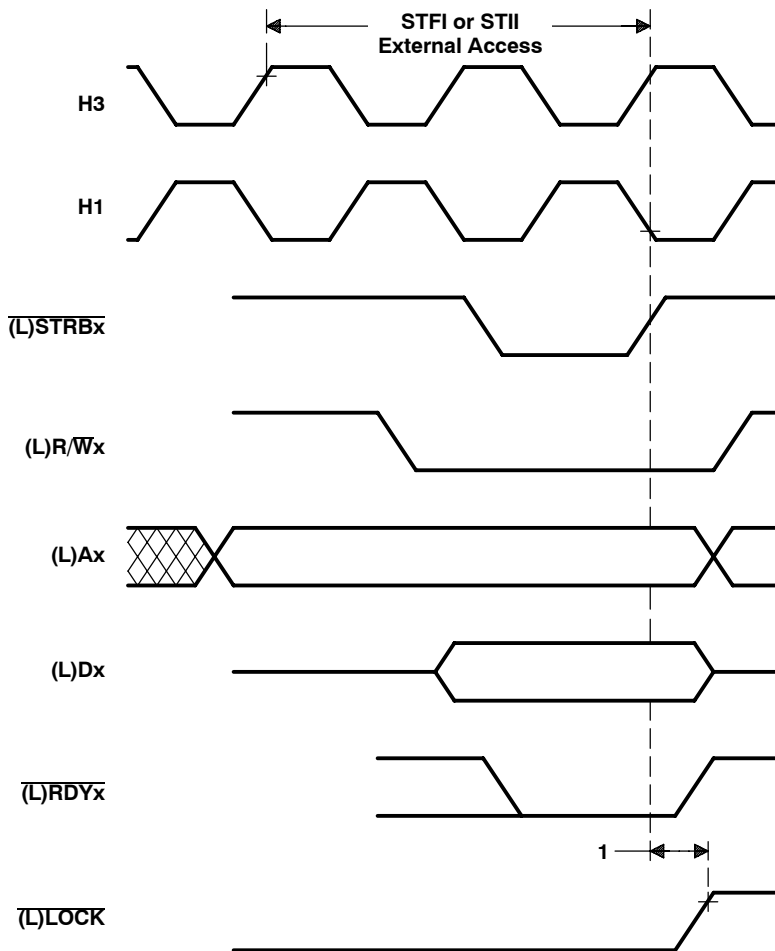


Figure 14. Timing for $\overline{\text{(L)}}\text{LOCK}$ When Executing STFI or STII

SMJ320C40, TMP320C40 DIGITAL SIGNAL PROCESSORS

SGUS017H - OCTOBER 1993 - REVISED OCTOBER 2001

timing parameters for $\overline{\text{(L)}}\text{LOCK}$ when executing SIGI (see Figure 15)

NO.		320C40-40		320C40-50		320C40-60		UNIT
		MIN	MAX	MIN	MAX	MIN	MAX	
1	$t_{d(H1L-LOCKL)}$ Delay time, H1 low to $\overline{\text{(L)}}\text{LOCK}$ low		11		9		8	ns
2	$t_{d(H1L-LOCKH)}$ Delay time, H1 low to $\overline{\text{(L)}}\text{LOCK}$ high		11		9		8	ns

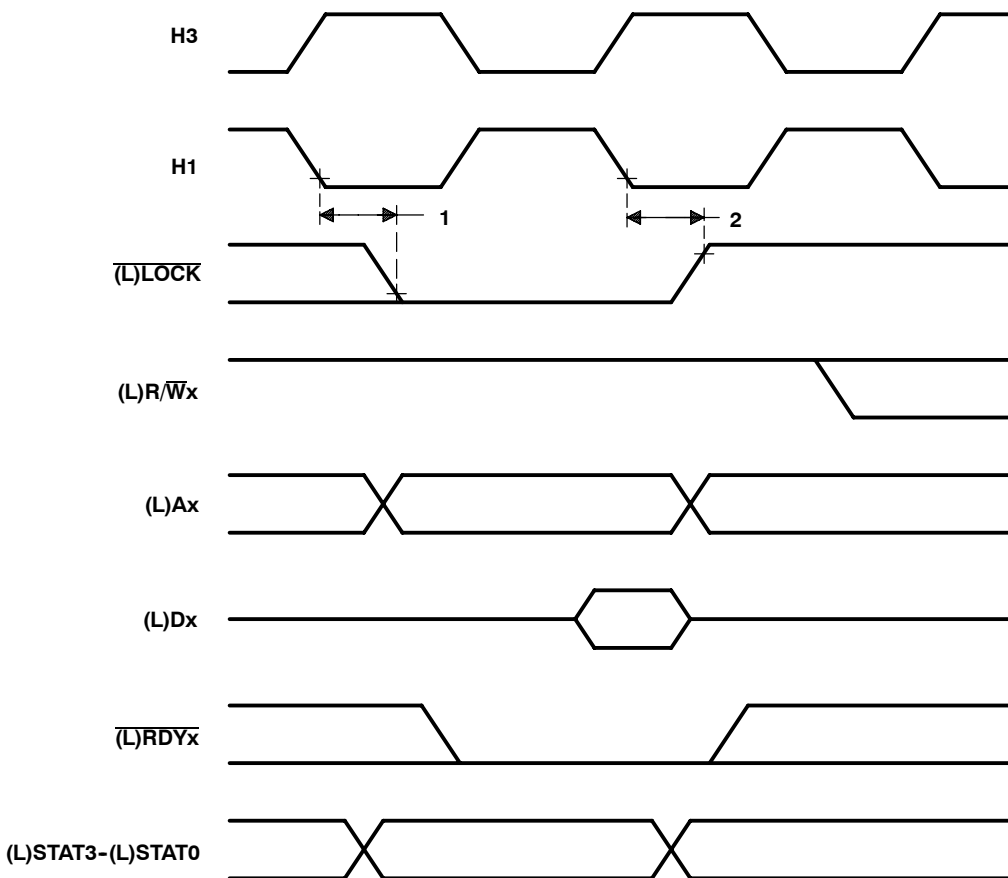


Figure 15. Timing for $\overline{\text{(L)}}\text{LOCK}$ When Executing SIGI

timing parameters for (L)PAGE0, (L)PAGE1 during memory access to a different page
(see Figure 16)

NO.		320C40-40 320C40-50		320C40-60		UNIT
		MIN	MAX	MIN	MAX	
1	$t_{d(H1L-PAGEH)}$ Delay time, H1 low to (L)PAGE _x high for access to different page	0	10	0	8	ns
2	$t_{d(H1L-PAGEL)}$ Delay time, H1 low to (L)PAGE _x low for access to different page	0	10	0	8	ns

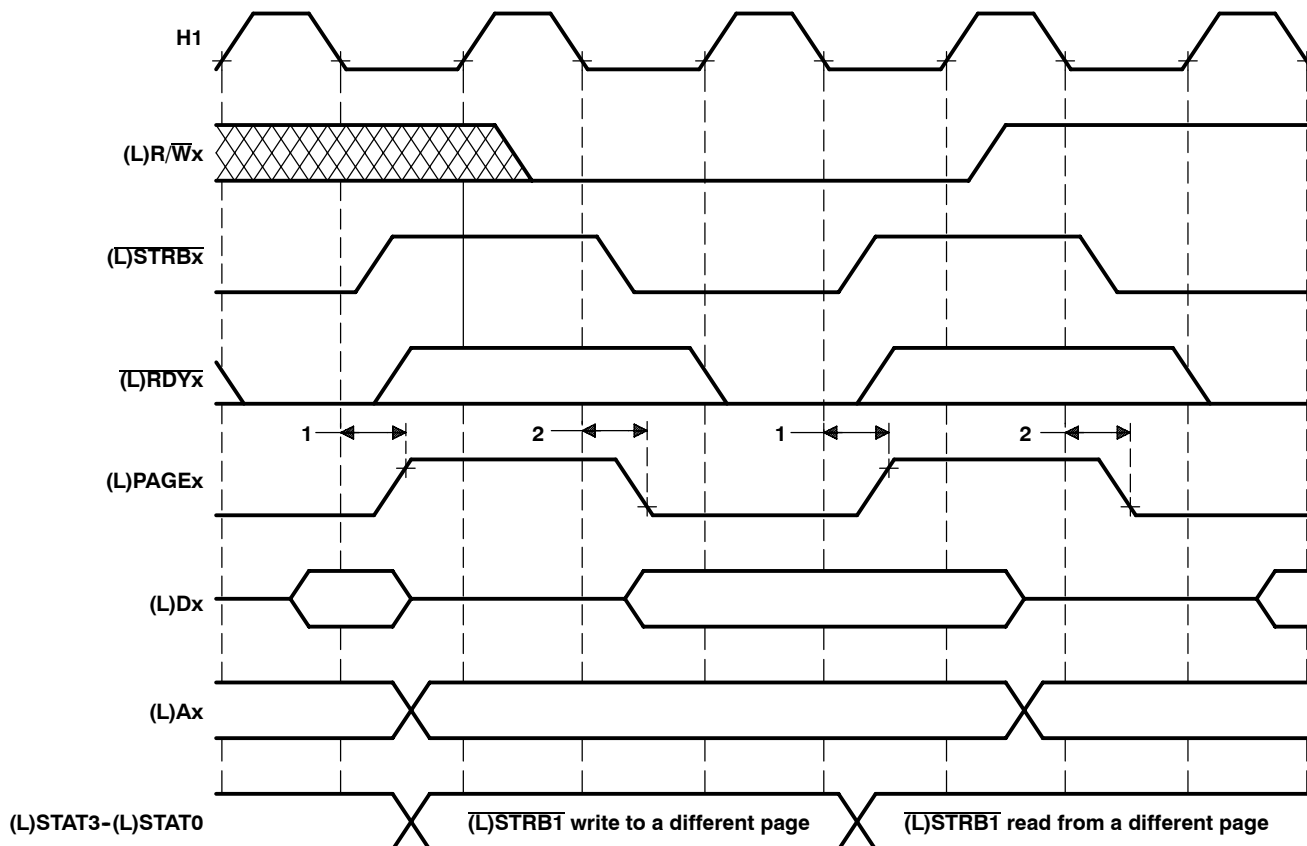


Figure 16. (L)PAGE0, (L)PAGE1 Timing Cycle, Memory Access to a Different Page

SMJ320C40, TMP320C40 DIGITAL SIGNAL PROCESSORS

SGUS017H - OCTOBER 1993 - REVISED OCTOBER 2001

timing parameters for loading IIF register ($\overline{\text{IIOF}}_x$ pins) when configured as an output pin
(see Figure 17)

NO.		320C40-40		320C40-50		320C40-60		UNIT
		MIN	MAX	MIN	MAX	MIN	MAX	
1	$t_{v(H1L-IIOF)}$ Valid time, $\overline{\text{IIOF}}_x$ after H1 low		18		16		14	ns

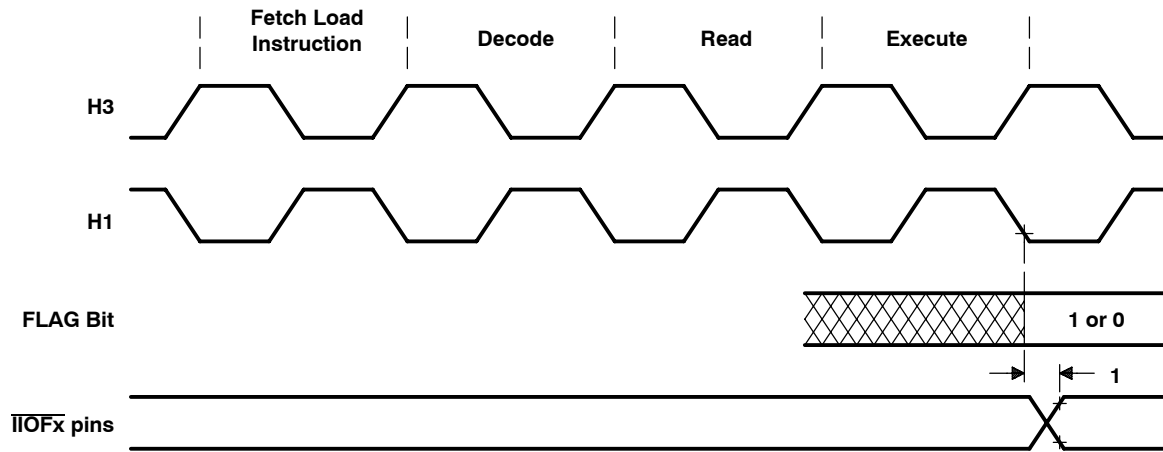


Figure 17. Timing for Loading IIF Register ($\overline{\text{IIOF}}_x$ Pins) When Configured as an Output Pin

timing parameters of $\overline{\text{IIOF}}_x$ changing from output to input mode (see Figure 18)

NO.		320C40-40 320C40-50 320C40-60		UNIT
		MIN	MAX	
1	$t_{h(H1L-\text{IIOF})}$	Hold time, $\overline{\text{IIOF}}_x$ after H1 low		ns
2	$t_{su(\text{IIOF})}$	Setup time, $\overline{\text{IIOF}}_x$ before H1 low		ns
3	$t_{h(\text{IIOF})}$	Hold time, $\overline{\text{IIOF}}_x$ after H1 low		ns

* On products compliant to MIL-PRF-38535, this parameter is not production tested.

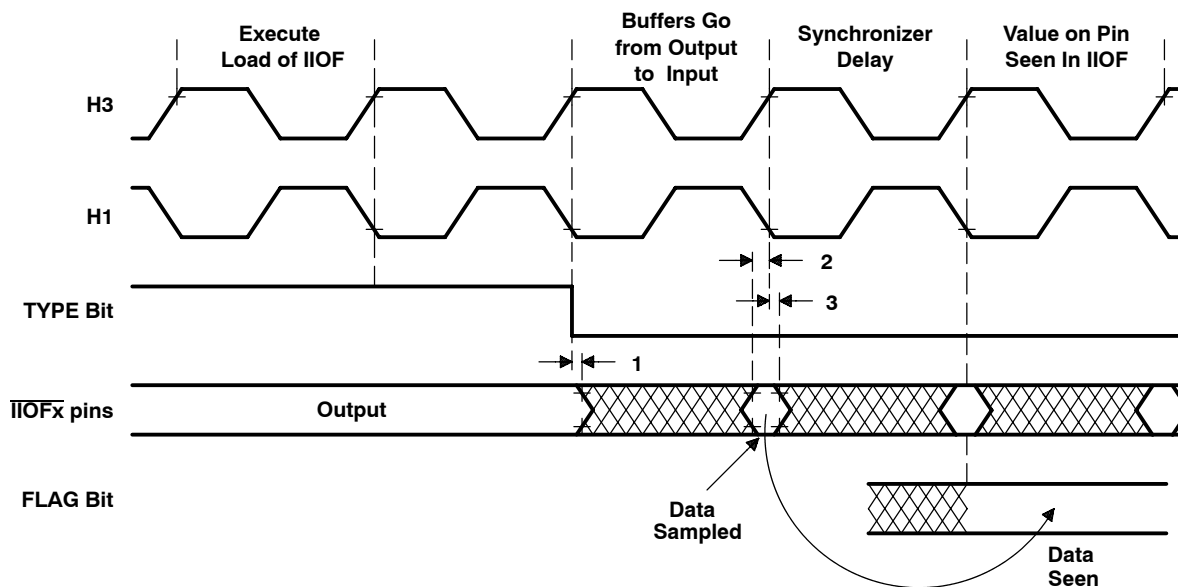


Figure 18. Change of $\overline{\text{IIOF}}_x$ From Output to Input Mode

SMJ320C40, TMP320C40 DIGITAL SIGNAL PROCESSORS

SGUS017H - OCTOBER 1993 - REVISED OCTOBER 2001

timing parameters of $\overline{\text{IIOF}}_x$ changing from input to output mode (see Figure 19)

NO.		320C40-40 320C40-50		320C40-60		UNIT
		MIN	MAX	MIN	MAX	
1	$t_{d(H1L-IFO)}$ Delay time, H1 low to $\overline{\text{IIOF}}_x$ switching from input to output		16		14	ns

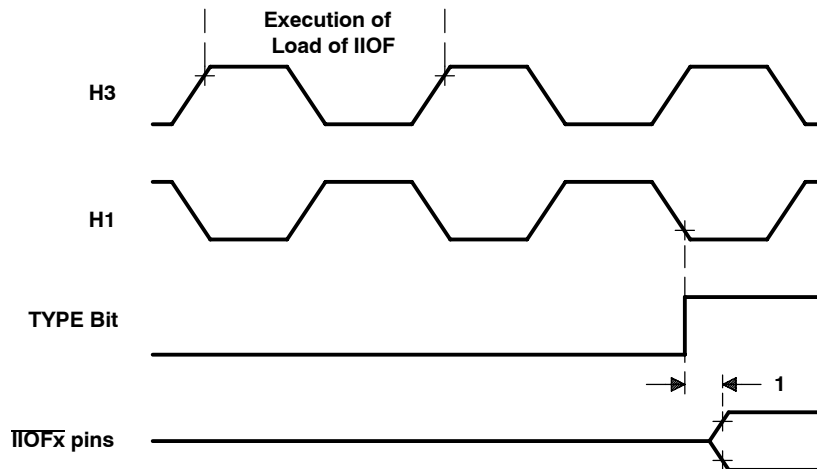


Figure 19. Change of $\overline{\text{IIOF}}_x$ From Input to Output Mode

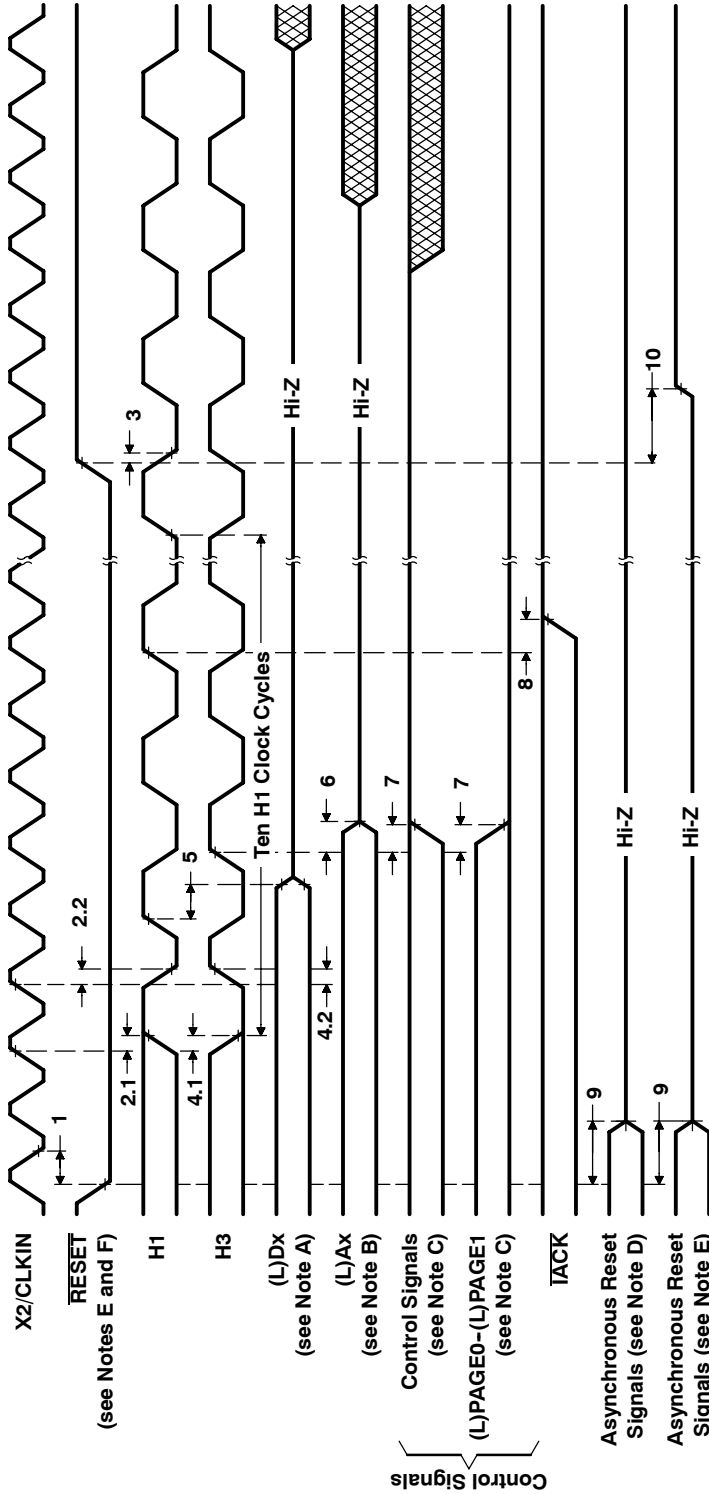
timing parameters for $\overline{\text{RESET}}$ (see Figure 20)

NO.		320C40-40		320C40-50		320C40-60		UNIT
		MIN	MAX	MIN	MAX	MIN	MAX	
1	$t_{su(RES\overline{\text{ET}}-CL)}$ Setup time, $\overline{\text{RESET}}$ before CLKIN low	11	$t_{c(CL)}$	11	$t_{c(CL)}^*$	11	$t_{c(CL)}^*$	ns
2.1	$t_{d(CIH-H1H)}$ Delay time, CLKIN high to H1 high	2	12	2	10	2	10	ns
2.2	$t_{d(CIH-H1L)}$ Delay time, CLKIN high to H1 low	2	12	2	10	2	10	ns
3	$t_{su(RES\overline{\text{ET}}H-H1L)}$ Setup time, $\overline{\text{RESET}}$ high before H1 low and after ten H1 clock cycles	13		13		13		ns
4.1	$t_{d(CIH-H3L)}$ Delay time, CLKIN high to H3 low	2	12	2	10	2	10	ns
4.2	$t_{d(CIH-H3H)}$ Delay time, CLKIN high to H3 high	2	12	2	10	2	11	ns
5	$t_{dis(H1H-DZ)}$ Disable time, H1 high to (L)Dx in high-impedance state		13*		13*		13*	ns
6	$t_{dis(H3H-AZ)}$ Disable time, H3 high to (L)Ax in high-impedance state		9*		9*		9*	ns
7	$t_{d(H3H-CONTROLH)}$ Delay time, H3 high to control signals high [low for (L)PAGE _x]		9*		9*		9*	ns
8	$t_{d(H1H-IACKH)}$ Delay time, H1 high to $\overline{\text{IACK}}$ high		9*		9*		9*	ns
9	$t_{dis(RES\overline{\text{ET}}L-ASYNCHZ)}$ Disable time, $\overline{\text{RESET}}$ low to asynchronous reset signals in the high-impedance state		21*		21*		21*	ns
10	$t_{d(RES\overline{\text{ET}}H-COMMH)}$ Delay time, $\overline{\text{RESET}}$ high to asynchronous reset signals high		15*		15*		15*	ns

* On products compliant to MIL-PRF-38535, this parameter is not production tested.



PARAMETER MEASUREMENT INFORMATION



- NOTES:
- In this figure, (L)Dx includes D31-D0, LD31-D0, and CxD7-CxD0.
 - (L)Ax includes A30-A0 and LA30-LA0.
 - Control signals $\overline{\text{STRB0}}$, $\overline{\text{STRB1}}$, (L)STAT3-(L)STAT0, (L)LOCK, (L)R/W0, and (L)R/W1 go high while (L)PAGE0 and (L)PAGE1 go low.
 - Asynchronous reset signals that go into high impedance after RESET goes low include $\overline{\text{TCLK0}}$, $\overline{\text{TCLK1}}$, $\overline{\text{IIOF0}}$, and the communication-port control signals $\overline{\text{CREQx}}$, $\overline{\text{CACKy}}$, $\overline{\text{CSTRBx}}$, and $\overline{\text{CRDYx}}$ (where x = 0, 1, or 2, and y = 3, 4, or 5). (At reset, ports 0, 1, and 2 become outputs, and ports 3, 4, and 5 become inputs.)
 - Asynchronous reset signals that go to a high-logic level after RESET goes low include $\overline{\text{CREQy}}$, $\overline{\text{CACKx}}$, $\overline{\text{CSTRBx}}$, and $\overline{\text{CRDYy}}$ (where x = 0, 1, or 2, and y = 3, 4, or 5).
 - RESET is an asynchronous input and can be asserted at any point during a clock cycle. If the specified timings are met, the exact sequence shown will occur; otherwise, an additional delay of one clock cycle can occur.

Figure 20. RESET Timing

SMJ320C40, TMP320C40 DIGITAL SIGNAL PROCESSORS

SGUS017H - OCTOBER 1993 - REVISED OCTOBER 2001

timing parameters for $\overline{\text{IIOF3}}\text{-}\overline{\text{IIOF0}}$ interrupt response [$P = t_{c(H)}$] (see Figure 21, Note 7, and Note 8)

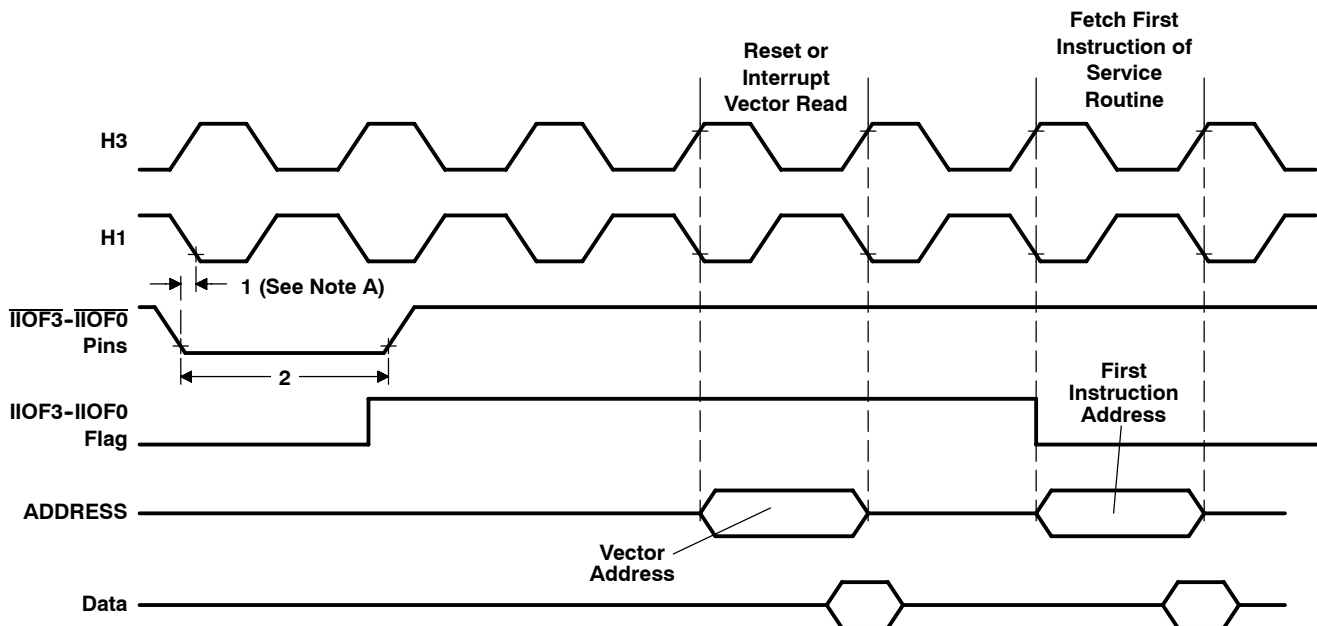
NO.		'320C40-40 '320C40-50			'320C40-60			UNIT
		MIN	TYP	MAX	MIN	TYP	MAX	
1	$t_{su(\text{IIOF-H1L})}$ Setup time, $\overline{\text{IIOF3}}\text{-}\overline{\text{IIOF0}}$ before H1 low	11			11*			ns
2	$t_w(\text{IIOF})$ Interrupt pulse duration to ensure one interrupt seen (see Note 9)	P	1.5P	< 2P*	P	1.5P	< 2P*	ns

* On products compliant to MIL-PRF-38535, this parameter is not production tested.

NOTES: 7. $\overline{\text{IIOF}x}$ is an asynchronous input and can be asserted at any point during a clock cycle. If the specified timings are met, the exact sequence shown occurs; otherwise, an additional delay of one clock cycle can occur.

8. Edge-triggered interrupts require a setup of time (1) and a minimum duration of P. No maximum duration limit exists.

9. Level-triggered interrupts require interrupt pulse duration of at least 1P wide (P = one H1 period) to ensure that the interrupt is seen. It must be less than 2P wide to ensure that it is responded to only once. Recommended pulse duration is 1.5P.



NOTE A: The 'C40 can accept an interrupt from the same source every two H1 clock cycles.

Figure 21. $\overline{\text{IIOF3}}\text{-}\overline{\text{IIOF0}}$ Interrupt Response Timing [$P=t_{c(H)}$]

timing parameters for $\overline{\text{IACK}}$ (see Note 10 and Figure 22)

NO.		'320C40-40 '320C40-50		'320C40-60		UNIT
		MIN	MAX	MIN	MAX	
1	$t_{d(H1H-IACKL)}$ Delay time, H1 high to $\overline{\text{IACK}}$ low		9		7	ns
2	$t_{d(H1L-IACKH)}$ Delay time, H1 low to $\overline{\text{IACK}}$ high during first cycle of IACK instruction data read		9		7	ns

NOTE 10: The $\overline{\text{IACK}}$ output is active for the entire duration of the bus cycle and, therefore, is extended if the bus cycle utilizes wait states.

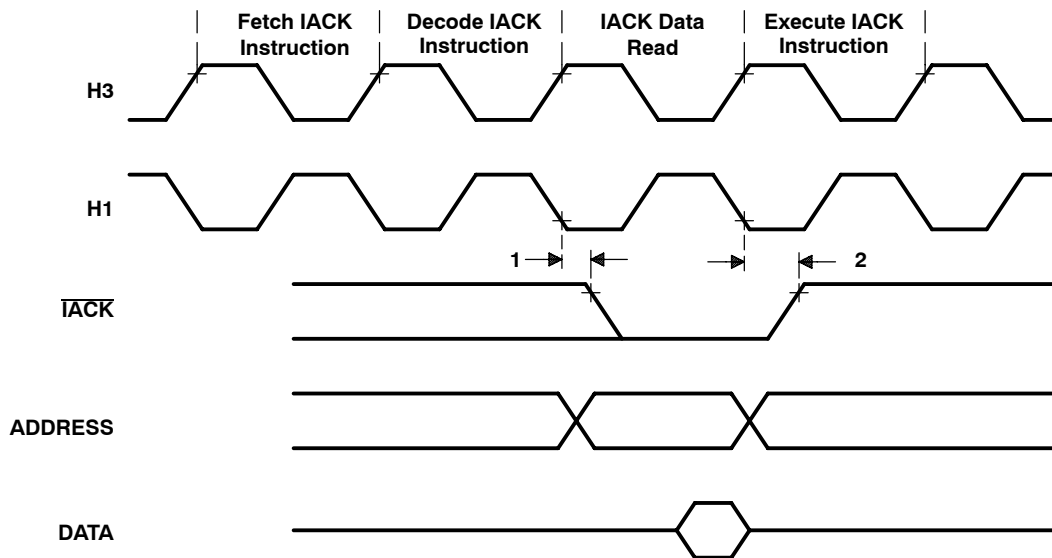


Figure 22. $\overline{\text{IACK}}$ Timing

SMJ320C40, TMP320C40 DIGITAL SIGNAL PROCESSORS

SGUS017H - OCTOBER 1993 - REVISED OCTOBER 2001

communication-port word-transfer cycle timing [P=t_{c(H)}] (see Note 11 and Figure 23)

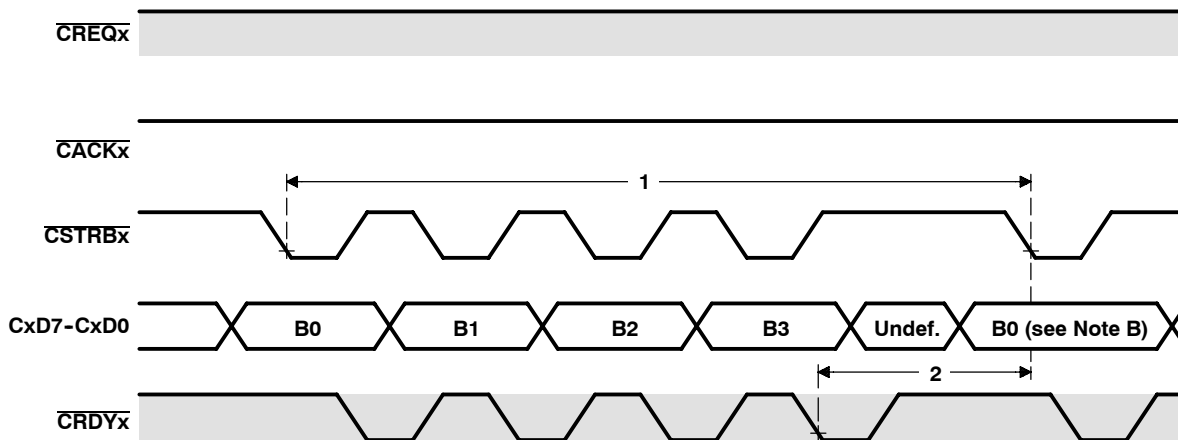
NO.		'320C40-40† '320C40-50† '320C40-60†		UNIT
		MIN	MAX	
1	t _{c(WORD)} ‡ Cycle time, word transfer (4 bytes = 1 word)	1.5P+7	2.5P+17	ns
2	t _{d(CRDYL-CSL)W*} Delay time, \overline{CRDYx} low to \overline{CSTRBx} low between back-to-back write cycles	1.5P+7	2.5P+28	ns

† For these timing values, it is assumed that the SMJ320C40 that is to receive data is ready to receive data.

‡ t_{c(WORD)} max = 2.5P + 28 ns + 4(Ⓜ) + 3(Ⓝ + Ⓞ + Ⓟ), where boxed numbers refer to the max values for corresponding parameters in the communication-port byte timing table on the next page (for example, Ⓜ means the value under max for parameter 6 in the table -- a value of 10 ns). This timing assumes that two 'C40s are connected.

* On products compliant to MIL-PRF-38535, this parameter is not production tested.

NOTE 11: These timings apply only to two communicating 'C40s. When a non-'C40 device communicates with a 'C40, timings can be longer. No restriction exists in this case on how slow the transfer could be except when using early silicon ('C40 P6 1.x or 2.x). See the \overline{CSTRB} width restriction in Section 8.9.1 of the *TMS320C4x User's Guide* (literature number SPRU063).



■ = when signal is an input (clear = when signal is an output)

- NOTES: A. For correct operation during token exchange, the two communicating SMJ320C40s must have CLKIN frequencies within a factor of 2 of each other (in other words, at most, one of the SMJ320C40s can be twice as fast as the other).
B. Begins byte 0 of the next word

Figure 23. Communication-Port Word-Transfer-Cycle Timing [P=t_{c(H)}]

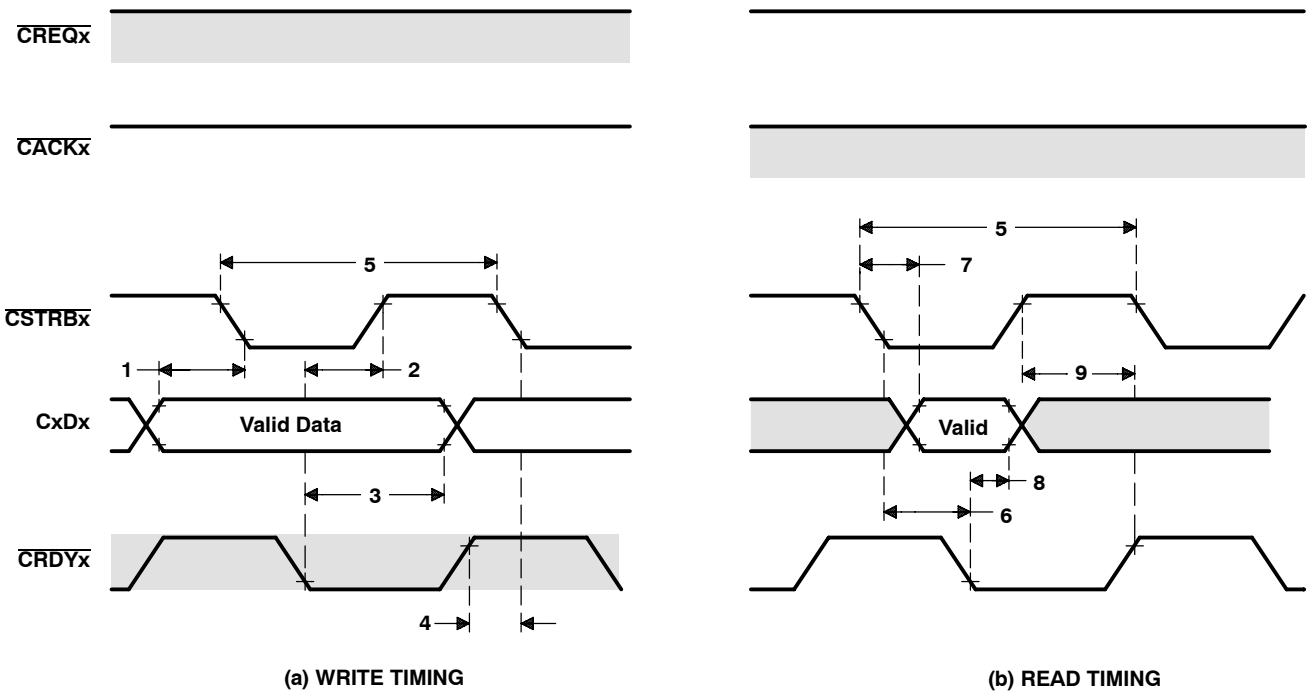
communication-port byte timing parameters (write and read) (see Note 12 and Figure 24)

NO.			'320C40-40 '320C40-50 '320C40-60		UNIT
			MIN	MAX	
1	$t_{su(CD-CSL)W}$	Setup time, CxDx data valid before \overline{CSTRBx} low (write)	2		ns
2	$t_{d(CRDYL-CSH)W}$	Delay time, \overline{CRDYx} low to \overline{CSTRBx} high (write)	0*	12	ns
3	$t_{h(CRDYL-CD)W}$	Hold time, CxDx after \overline{CRDYx} low (write)	1		ns
4	$t_{d(CRDYH-CSL)W}$	Delay time, \overline{CRDYx} high to \overline{CSTRBx} low for subsequent bytes (write)	0*	12	ns
5	$t_{c(BYTE)}^\dagger$	Cycle time, byte transfer		44	ns
6	$t_{d(CSL-CRDYL)R}$	Delay time, \overline{CSTRBx} low to \overline{CRDYx} low (read)	0*	10	ns
7	$t_{su(CSH-CD)R}$	Setup time, CxDx valid after \overline{CSTRBx} high (read)	0		ns
8	$t_{h(CRDYL-CD)R}$	Hold time, CxDx valid after \overline{CRDYx} low (read)	2		ns
9	$t_{d(CSH-CRDYH)R}$	Delay time, \overline{CSTRBx} high to \overline{CRDYx} high (read)	0*	10	ns

$^\dagger t_{c(BYTE)} \text{ max} = (\boxed{2} + \boxed{4} + \boxed{6} + \boxed{9})$ where boxed numbers refer to the max values for corresponding parameters in the above table (for example, $\boxed{6}$ means the value under max for parameter 6 in the table — a value of 10 ns). This assumes that two 'C40s are connected.

* On products compliant to MIL-PRF-38535, this parameter is not production tested.

NOTE 12: Communication port timing does not include line length delay.



■ = when signal is an input (clear = when signal is an output)

Figure 24. Communication-Port Byte Timing (Write and Read)

SMJ320C40, TMP320C40 DIGITAL SIGNAL PROCESSORS

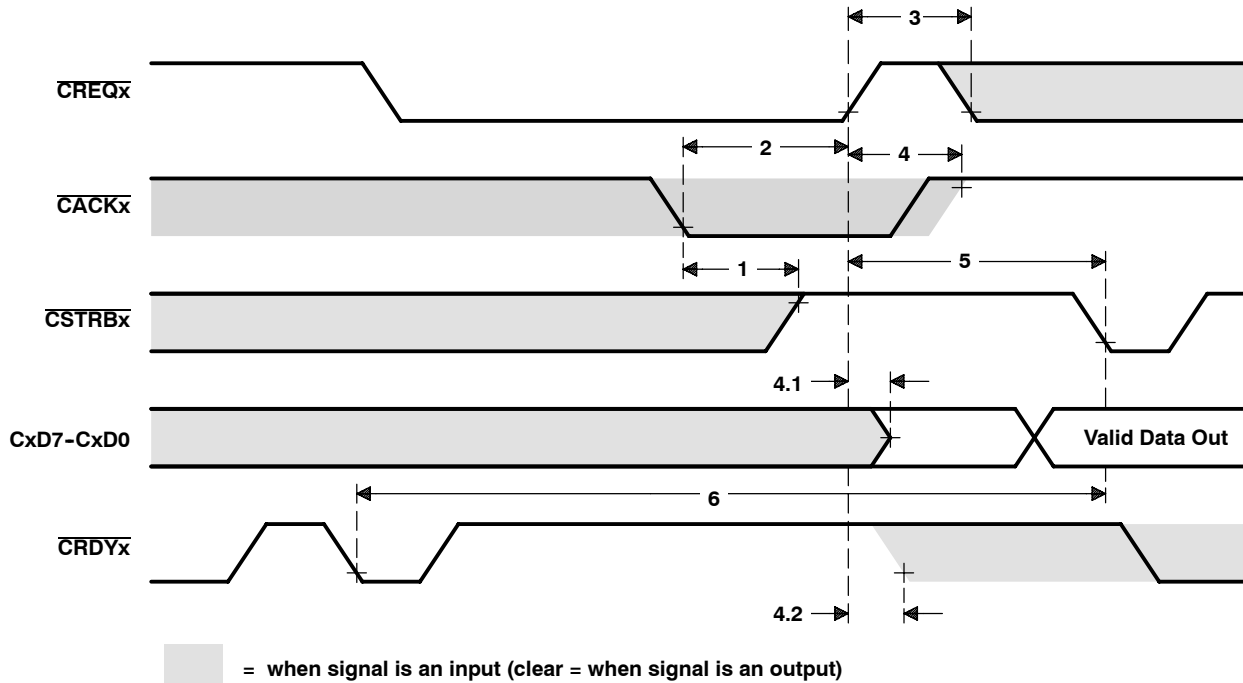
SGUS017H - OCTOBER 1993 - REVISED OCTOBER 2001

timing parameters for communication-token transfer sequence, input to an output port [$P = t_{c(H)}$][†]
(see Figure 25)

NO.			'320C40-40* '320C40-50* '320C40-60*		UNIT
			MIN	MAX	
1 [†]	$t_{d(CAL-CS)T}$	Delay time, \overline{CACKx} low to \overline{CSTRBx} change from input to a high-level output	0.5P + 6	1.5P + 22	ns
2 [†]	$t_{d(CAL-CRQH)T}$	Delay time, \overline{CACKx} low to start of \overline{CREQx} going high for token-request acknowledge	P + 5	2P + 26	ns
3	$t_{d(CRQH-CRQT)}$	Delay time, start of \overline{CREQx} going high to \overline{CREQx} change from output to an input	0.5P - 5	0.5P + 13	ns
4	$t_{d(CRQH-CA)T}$	Delay time, start of \overline{CREQx} going high to \overline{CACKx} change from an input to an output level high	0.5P - 5	0.5P + 13	ns
4.1	$t_{d(CRQH-CD)T}$	Delay time, start of \overline{CREQx} going high to CxD7-CxD0 change from inputs driven to outputs driven	0.5P - 5	0.5P + 13	ns
4.2	$t_{d(CRQH-CRDY)T}$	Delay time, start of \overline{CREQx} going high to \overline{CRDYx} change from an output to an input	0.5P - 5	0.5P + 13	ns
5	$t_{d(CRQH-CSL)T}$	Delay time, start of \overline{CREQx} going high to \overline{CSTRBx} low for start of word transfer out	1.5P - 8	1.5P + 9	ns
6	$t_{d(CRDYL-CSL)T}$	Delay time, \overline{CRDYx} low at end of word input to \overline{CSTRBx} low for word output	3.5P + 12	5.5P + 48	ns

[†] These timing parameters result from synchronizer delays and are referenced from the falling edge of H1. The inputs (that cause the output-signal pins to change values) are sampled on H1 falling. The minimum delay occurs when the input condition occurs just before H1 falling, and the maximum delay occurs when the input condition occurs just after H1 falling.

* On products compliant to MIL-PRF-38535, this parameter is not production tested.



NOTE A: Before the token exchange, \overline{CREQx} and \overline{CRDYx} are output signals asserted by the SMJ320C40 that is receiving data. \overline{CACKx} , \overline{CSTRBx} , and CxD7-CxD0 are input signals asserted by the device sending data to the 'C40; these are asynchronous with respect to the H1 clock of the receiving SMJ320C40. After token exchange, \overline{CACKx} , \overline{CSTRBx} , and CxD7-CxD0 become output signals, and \overline{CREQx} and \overline{CRDYx} become inputs.

Figure 25. Communication-Token Transfer Sequence, Input to an Output Port [$P=t_{c(H)}$]

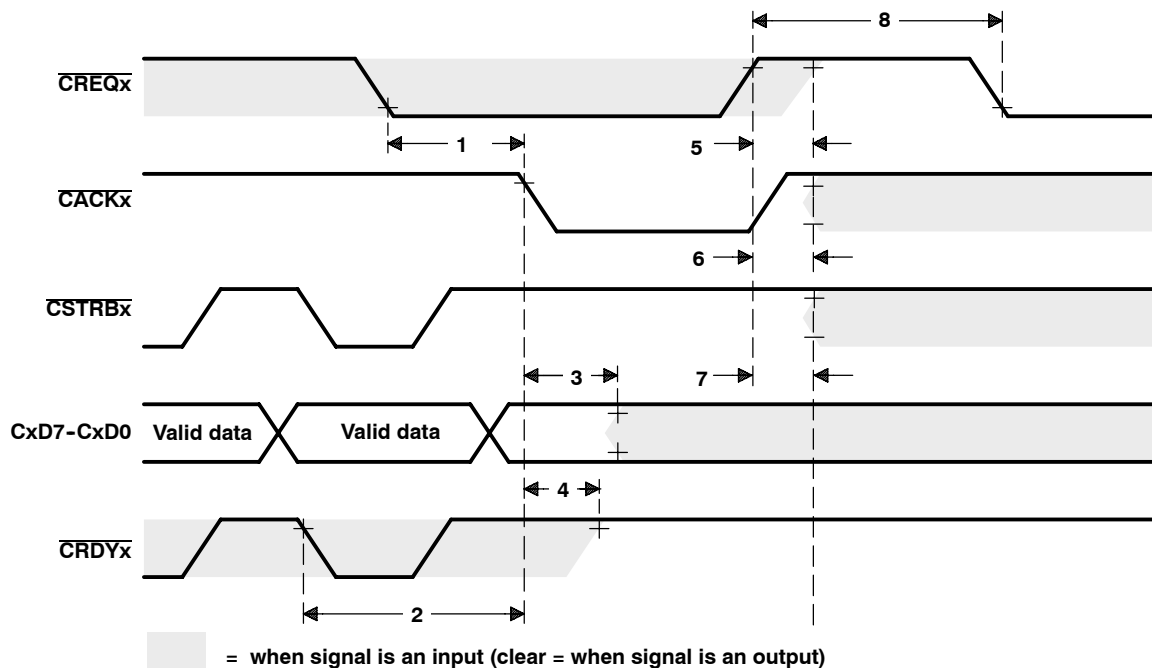
timing parameters for communication-token transfer sequence, output to an input port [P = t_{c(H)}][†]
(see Figure 26)

NO.			'320C40-40* '320C40-50*		'320C40-60*		UNIT
			MIN	MAX	MIN	MAX	
1 [†]	t _{d(CRQL-CAL)T}	Delay time, $\overline{\text{CREQx}}$ low to start of $\overline{\text{CACKx}}$ going low for token-request acknowledge	P+5	2P+26	P+5	2P+22	ns
2 [†]	t _{d(CRDYL-CAL)T}	Delay time, start of $\overline{\text{CRDYx}}$ low at end of word transfer out to start of $\overline{\text{CACKx}}$ going low	P+6	2P+27	P+6	2P+27	ns
3	t _{d(CAL-CD)I}	Delay time, start of $\overline{\text{CACKx}}$ going low to CxD7-CxD0 change from outputs to inputs	0.5P-8	0.5P+8	0.5P-8	0.5P+8	ns
4	t _{d(CAL-CRDY)T}	Delay time, start of $\overline{\text{CACKx}}$ going low to $\overline{\text{CRDYx}}$ change from an input to output, high level	0.5P-8	0.5P+8	0.5P-8	0.5P+8	ns
5 [†]	t _{d(CRQH-CRQ)T}	Delay time, $\overline{\text{CREQx}}$ high to $\overline{\text{CREQx}}$ change from an input to output, high level	4	22	4	22	ns
6 [†]	t _{d(CRQH-CA)T}	Delay time, start of $\overline{\text{CREQx}}$ high to $\overline{\text{CACKx}}$ change from output to an input	4	22	4	22	ns
7 [†]	t _{d(CRQH-CS)T}	Delay time, start of $\overline{\text{CREQx}}$ high to $\overline{\text{CSTRBx}}$ change from output to an input	4	22	4	22	ns
8 [†]	t _{d(CRQH-CRQL)T}	Delay time, $\overline{\text{CREQx}}$ high to $\overline{\text{CREQx}}$ low for the next token request	P-4	2P+8	P-4	2P+8	ns

[†] These timing parameters result from synchronizer delays and are referenced from the falling edge of H1. The inputs (that cause the output-signal pins to change values) are sampled on H1 falling. The minimum delay occurs when the input condition occurs just before H1 falling, and the maximum delay occurs when the input condition occurs just after H1 falling.

* On products compliant to MIL-PRF-38535, this parameter is not production tested.

PARAMETER MEASUREMENT INFORMATION



NOTE A: Before the token exchange, \overline{CACKx} , \overline{CSTRBx} , and CxD7-CxD0 are asserted by the 'C40 sending data. \overline{CREQx} and \overline{CRDYx} are input signals asserted by the 'C40 receiving data and are asynchronous with respect to the H1 clock of the sending 'C40. After token exchange, \overline{CREQx} and \overline{CRDYx} become outputs, and \overline{CSTRBx} , \overline{CACKx} , and CxD7-CxD0 become inputs.

Figure 26. Communication-Token Transfer Sequence, Output to an Input Port [P= $t_{c(H)}$]

timing parameters for timer pin (see Note 13 and Figure 27)

NO.		'320C40-40 '320C40-50 '320C40-60		UNIT
		MIN	MAX	
1	$t_{su}(TCLK-H1L)$ Setup time, TCLK before H1 low	10		ns
2	$t_h(H1L-TCLK)$ Hold time, TCLK after H1 low	0		ns
3	$t_d(H1H-TCLK)$ Delay time, TCLK valid after H1 high		13	ns

NOTE 13: Period and polarity of valid logic level are specified by contents of internal control registers.

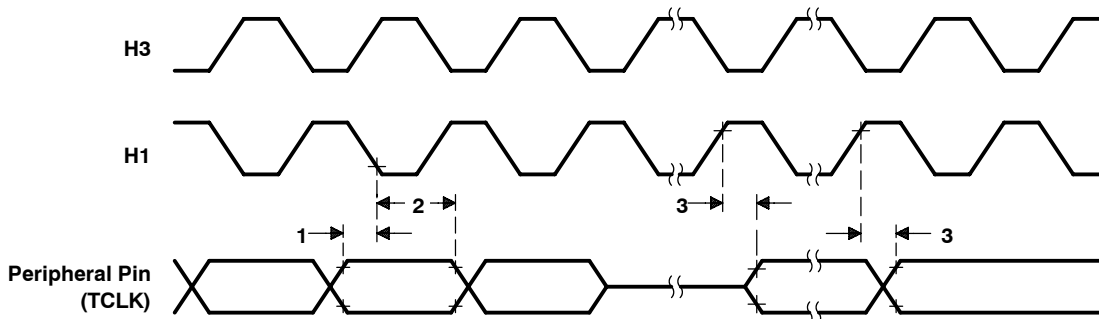


Figure 27. Timer Pin Timing Cycle

timing for IEEE 1149.1 test-access port (see Figure 28)

NO.		'320C40-40 '320C40-50 '320C40-60		UNIT
		MIN	MAX	
1	$t_{su}(TMS-TCKH)$ Setup time, TMS/TDI before TCK high	10		ns
2	$t_h(TCKH-TMS)$ Hold time, TMS/TDI after TCK high	5		ns
3	$t_d(TCKL-TDOV)$ Delay time, TCK low to TDO valid	0	15	ns

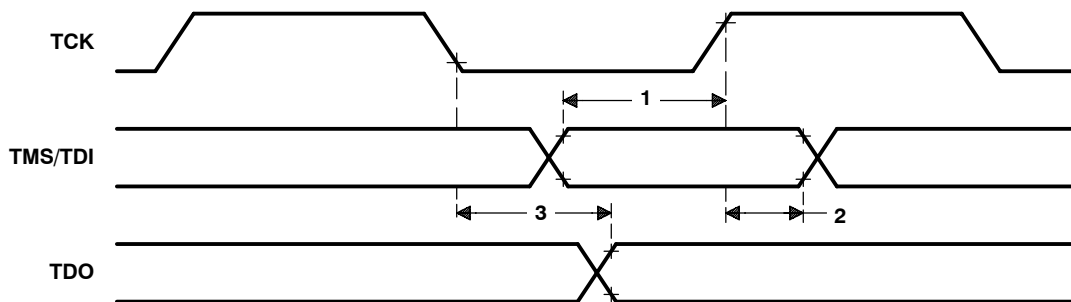


Figure 28. JTAG Emulation Timings

SMJ320C40, TMP320C40 DIGITAL SIGNAL PROCESSORS

SGUS017H - OCTOBER 1993 - REVISED OCTOBER 2001

PRODUCT ORDERING INFORMATION

SMJ320C40 standard package ordering information

DEVICE	TEMPERATURE RANGE	OPERATING FREQUENCY	PACKAGE TYPE	PROCESSING LEVEL
SMJ320C40GFM40	- 55°C to 125°C	40 MHz	Ceramic 325-pin staggered PGA (GF)	QML
SM320C40GFM40	- 55°C to 125°C	40 MHz	Ceramic 325-pin staggered PGA (GF)	Standard
SMJ320C40GFM50	- 55°C to 125°C	50 MHz	Ceramic 325-pin staggered PGA	QML
SM320C40GFM50	- 55°C to 125°C	50 MHz	Ceramic 325-pin staggered PGA	Standard
SMJ320C40HFHM40	- 55°C to 125°C	40 MHz	Ceramic 352-pin quad flatpack (HFH)	QML
SM320C40HFHM40	- 55°C to 125°C	40 MHz	Ceramic 352-pin quad flatpack (HFH)	Standard
SMJ320C40HFHM50	- 55°C to 125°C	50 MHz	Ceramic 352-pin quad flatpack	QML
SM320C40HFHM50	- 55°C to 125°C	50 MHz	Ceramic 352-pin quad flatpack	Standard
SMJ320C40GFS60	- 55°C to 100°C	60 MHz	Ceramic 325-pin staggered PGA	QML
SM320C40GFS60	- 55°C to 100°C	60 MHz	Ceramic 325-pin staggered PGA	Standard
SMJ320C40HFHS60	- 55°C to 100°C	60 MHz	Ceramic 352-pin quad flatpack	QML
SM320C40HFHS60	- 55°C to 100°C	60 MHz	Ceramic 352-pin quad flatpack	Standard

SMJ320C40 TAB ordering information†

DEVICE	TEMPERATURE RANGE	OPERATING FREQUENCY	PACKAGE TYPE	PROCESSING LEVEL
SMJ320C40TABM40/10	- 55°C to 125°C	40 MHz	325 ILB/OLB TAB tape (encapsulated)	QML
SM320C40TABM40/10	- 55°C to 125°C	40 MHz	325 ILB/OLB TAB tape (encapsulated)	Standard
SMJ320C40TABM50/10	- 55°C to 125°C	50 MHz	325 ILB/OLB TAB tape (encapsulated)	QML
SM320C40TABM50/10	- 55°C to 125°C	50 MHz	325 ILB/OLB TAB tape (encapsulated)	Standard
SM320C40TABS50/10	- 55°C to 100°C	50 MHz	325 ILB/OLB TAB tape (encapsulated)	Standard
TMP320C40TABL50/10	0°C to 70°C	50 MHz	325 ILB/OLB TAB tape (encapsulated)	Commercial (No Burn-In)
SM320C40TABC50/10	- 25°C to 85°C	50 MHz	325 ILB/OLB TAB tape (encapsulated)	Commercial (No Burn-In)
SMJ320C40TABS60/10	- 55°C to 100°C	60 MHz	325 ILB/OLB TAB tape (encapsulated)	QML
SM320C40TABS60/10	- 55°C to 100°C	60 MHz	325 ILB/OLB TAB tape (encapsulated)	Standard
TMP320C40TABL60/10	0°C to 70°C	60 MHz	325 ILB/OLB TAB tape (encapsulated)	Commercial (No Burn-In)

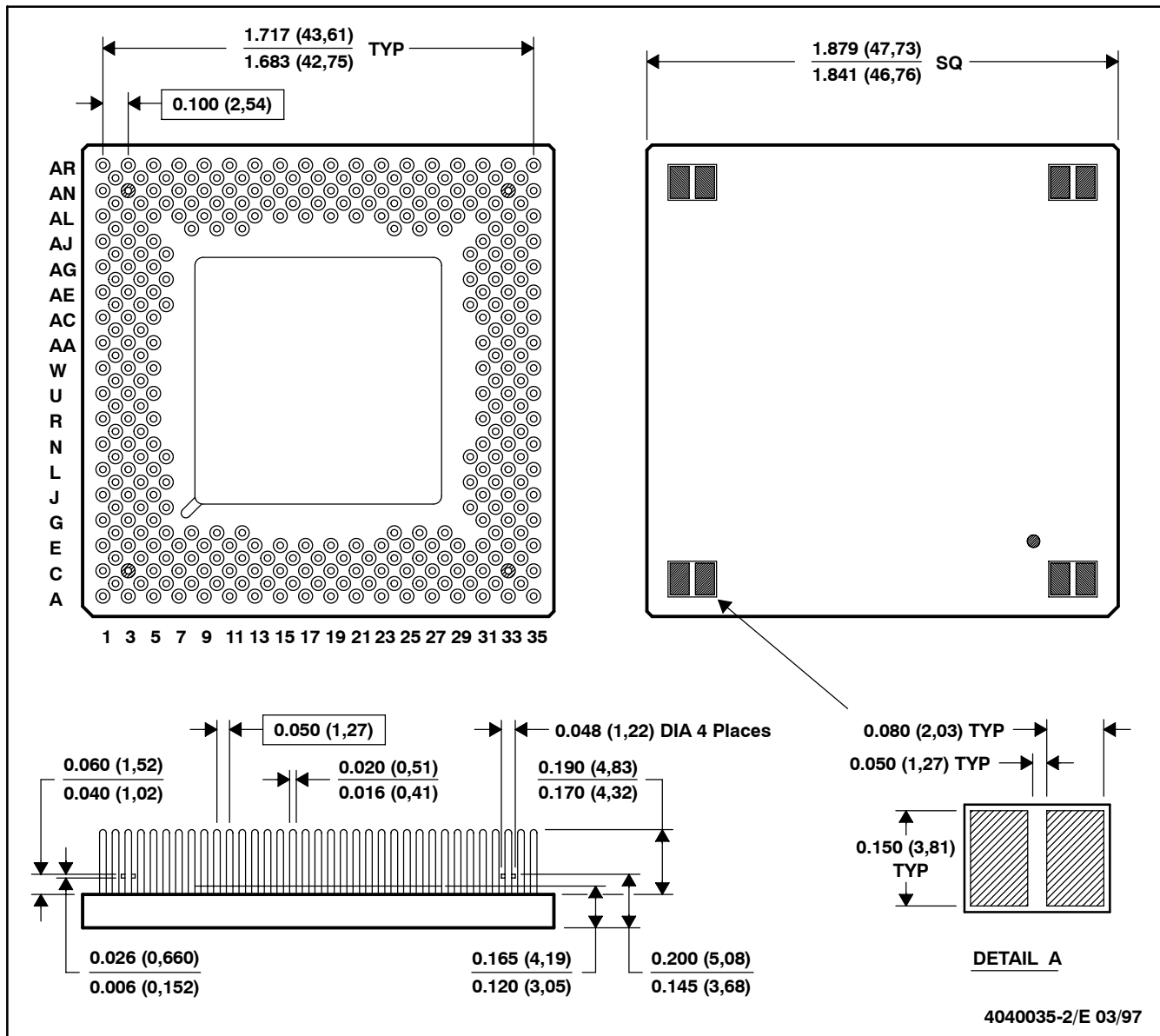
† /10 indicates solder-dip TAB lead frame.



MECHANICAL DATA

GF (S-CPGA-P325)

CERAMIC PIN GRID ARRAY



- NOTES: A. All linear dimensions are in inches (millimeters).
 B. This drawing is subject to change without notice.
 C. Index mark can appear on top or bottom, depending on package vendor.
 D. Pins are located within 0.010 (0,25) diameter of true position relative to each other at maximum material condition and within 0.030 (0,76) diameter relative to the edge of the ceramic.
 E. This package can be hermetically sealed with metal lids or with ceramic lids using glass frit.
 F. The pins can be gold-plated or solder-dipped.
 G. Package thickness of 0.165 (4,19) / 0.120 (3,05) includes package body and lid.
 H. Falls within JEDEC MO-128AK

Thermal Resistance Characteristics		
Parameter	°C/W	Air Flow LFPM
R θ_{JC}	1.7	N/A
R θ_{JA}	10.9	0
R θ_{JA}	9.8	200
R θ_{JA}	7.0	400
R θ_{JA}	6.4	600
R θ_{JA}	5.6	800
R θ_{JA}	5.5	1000

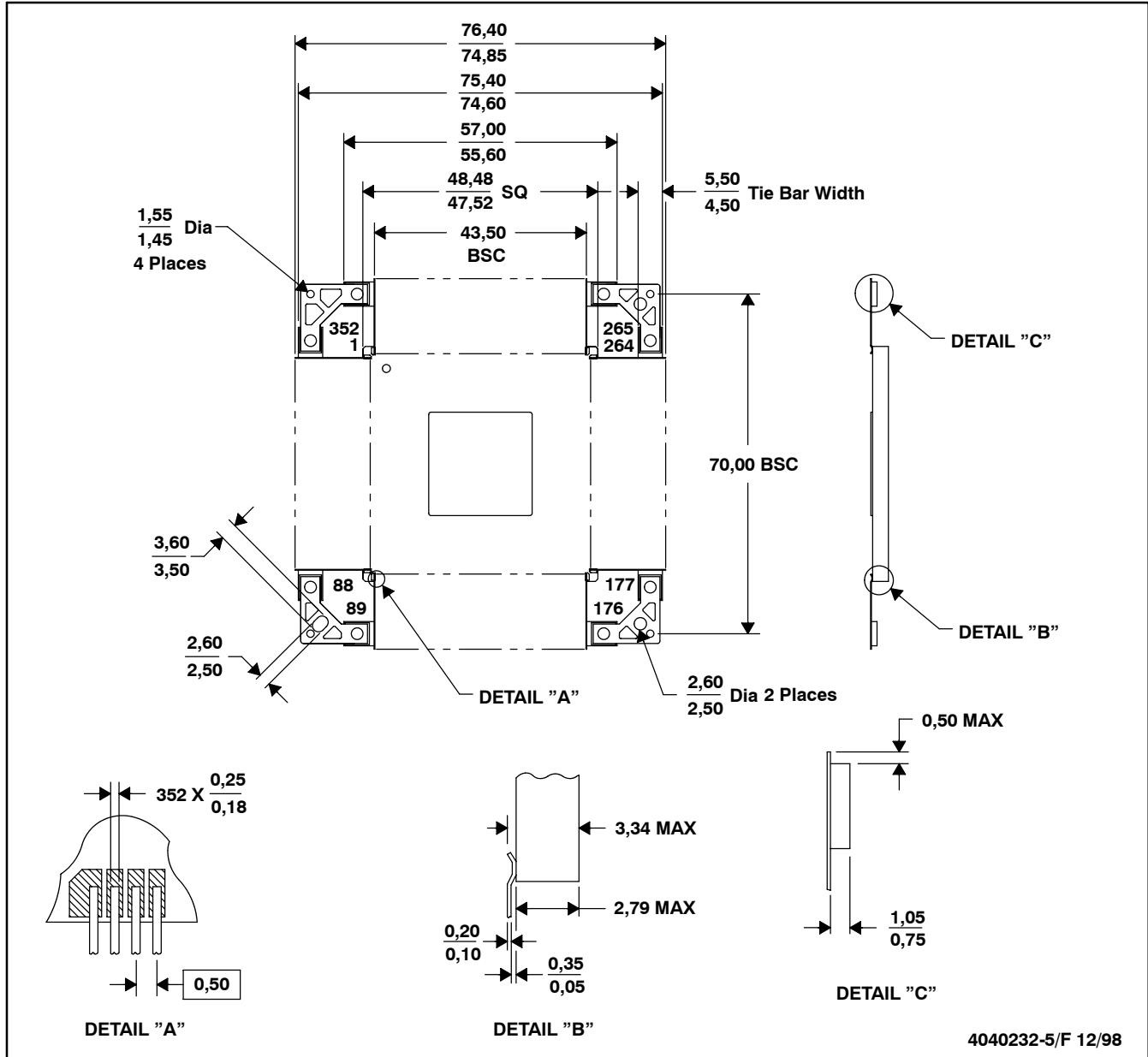
SMJ320C40, TMP320C40 DIGITAL SIGNAL PROCESSORS

SGUS017H - OCTOBER 1993 - REVISED OCTOBER 2001

MECHANICAL DATA

HFH (R-CQFP-F352)

CERAMIC QUAD FLATPACK WITH NCTB



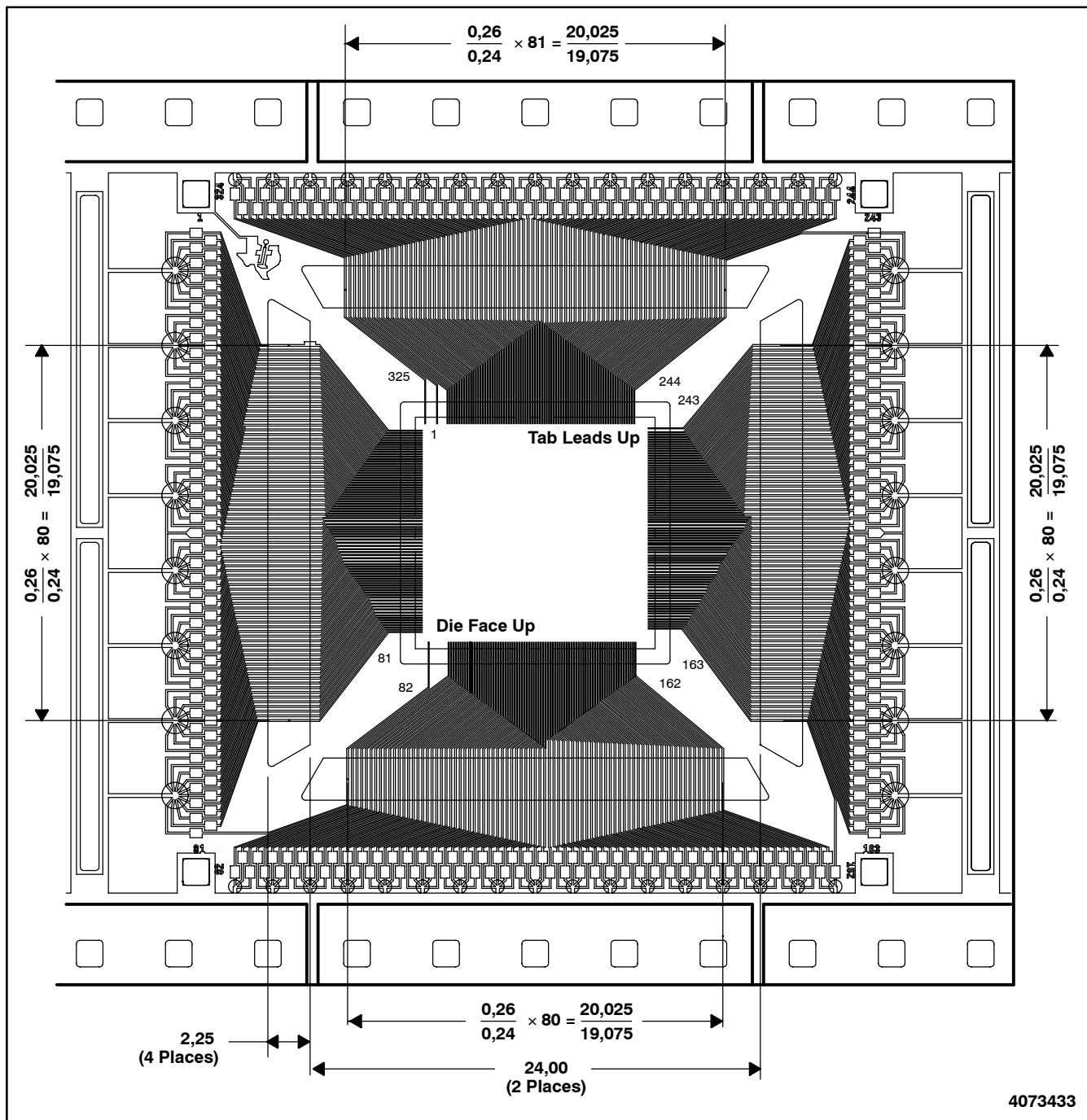
- NOTES: A. All linear dimensions are in millimeters.
 B. This drawing is subject to change without notice.
 C. This package is hermetically sealed with a metal lid.
 D. The terminals are gold-plated.
 E. Leads not shown for clarity purposes
 F. Falls within JEDEC MO-134AE

THERMAL RESISTANCE CHARACTERISTICS	
Parameter	° C/W
R _{θJC}	1.28
R _{θJA}	28.70

MECHANICAL DATA

TAB (48 mm WITH PROTECTIVE FILM)

SMJ320C40 324-PIN TAB FRAME SOCKET (PG 5.x)
325 OLB/ILB 0.25 mm OLB PITCH



- NOTES:
- All linear dimensions are in millimeters.
 - This drawing is subject to change without notice.
 - The OLB lead width is $0,10 \pm 0,02$ mm.
 - The ILB lead width is $0,05 \pm 0,01$ mm.
 - The tape width is 48 mm.
 - The TAB is encapsulated die with polyimide overcoat.

PACKAGING INFORMATION

Orderable part number	Status (1)	Material type (2)	Package Pins	Package qty Carrier	RoHS (3)	Lead finish/ Ball material (4)	MSL rating/ Peak reflow (5)	Op temp (°C)	Part marking (6)
5962-9466902QXA	Active	Production	CPGA (GF) 325	1 JEDEC TRAY (5+1)	No	Call TI	N/A for Pkg Type	-55 to 125	5962-9466902QX A SMJ320C40GFM40
5962-9466902QXC	Active	Production	CPGA (GF) 325	10 JEDEC TRAY (5+1)	Yes	Call TI	N/A for Pkg Type	-55 to 125	5962-9466902QX C SMJ320C40GFM40
5962-9466902QXC.A	Active	Production	CPGA (GF) 325	10 JEDEC TRAY (5+1)	Yes	Call TI	N/A for Pkg Type	-55 to 125	5962-9466902QX C SMJ320C40GFM40
5962-9466902QYC	Active	Production	CFP (HFH) 352	3 JEDEC TRAY (5+1)	Yes	Call TI	N/A for Pkg Type	-55 to 125	5962-9466902QY C SMJ320C40HFHM4 0
5962-9466903QXA	Active	Production	CPGA (GF) 325	10 JEDEC TRAY (5+1)	No	Call TI	N/A for Pkg Type	-55 to 125	5962-9466903QX A SMJ320C40GFM50
5962-9466903QXC	Active	Production	CPGA (GF) 325	10 JEDEC TRAY (5+1)	Yes	Call TI	N/A for Pkg Type	-55 to 125	5962-9466903QX C SMJ320C40GFM50
5962-9466903QXC.A	Active	Production	CPGA (GF) 325	10 JEDEC TRAY (5+1)	Yes	Call TI	N/A for Pkg Type	-55 to 125	5962-9466903QX C SMJ320C40GFM50
5962-9466903QYC	Active	Production	CFP (HFH) 352	3 JEDEC TRAY (5+1)	Yes	Call TI	N/A for Pkg Type	-55 to 125	5962-9466903QY C SMJ320C40HFHM5 0
5962-9466904QXA	Active	Production	CPGA (GF) 325	10 JEDEC TRAY (5+1)	-	Call TI	N/A for Pkg Type	-55 to 100	5962-9466904QX A SMJ320C40GFS60
5962-9466904QYC	Active	Production	CFP (HFH) 352	3 JEDEC TRAY (5+1)	Yes	Call TI	N/A for Pkg Type	-55 to 100	5962-9466904QY C SMJ320C40HFHS6 0
SM320C40GFM40	Active	Production	CPGA (GF) 325	10 JEDEC TRAY (5+1)	Yes	Call TI	N/A for Pkg Type	-55 to 125	SM320C40GFM40

Orderable part number	Status (1)	Material type (2)	Package Pins	Package qty Carrier	RoHS (3)	Lead finish/ Ball material (4)	MSL rating/ Peak reflow (5)	Op temp (°C)	Part marking (6)
SM320C40GFM40.A	Active	Production	CPGA (GF) 325	10 JEDEC TRAY (5+1)	Yes	Call TI	N/A for Pkg Type	-55 to 125	SM320C40GFM40
SM320C40GFM50	Active	Production	CPGA (GF) 325	10 JEDEC TRAY (5+1)	Yes	Call TI	N/A for Pkg Type	-55 to 125	SM320C40GFM50
SM320C40GFM50.A	Active	Production	CPGA (GF) 325	10 JEDEC TRAY (5+1)	Yes	Call TI	N/A for Pkg Type	-55 to 125	SM320C40GFM50
SM320C40GFS60	Active	Production	CPGA (GF) 325	10 JEDEC TRAY (5+1)	Yes	Call TI	N/A for Pkg Type	-55 to 100	SM320C40GFS60
SM320C40GFS60.A	Active	Production	CPGA (GF) 325	10 JEDEC TRAY (5+1)	Yes	Call TI	N/A for Pkg Type	-55 to 100	SM320C40GFS60
SM320C40HFHM40	Active	Production	CFP (HFH) 352	1 JEDEC TRAY (5+1)	Yes	Call TI	N/A for Pkg Type	-55 to 125	SM320C40HFHM40
SM320C40HFHM40.A	Active	Production	CFP (HFH) 352	1 JEDEC TRAY (5+1)	Yes	Call TI	N/A for Pkg Type	-55 to 125	SM320C40HFHM40
SM320C40HFHM50	Active	Production	CFP (HFH) 352	1 JEDEC TRAY (5+1)	Yes	Call TI	N/A for Pkg Type	-55 to 125	SM320C40HFHM50
SM320C40HFHM50.A	Active	Production	CFP (HFH) 352	1 JEDEC TRAY (5+1)	Yes	Call TI	N/A for Pkg Type	-55 to 125	SM320C40HFHM50
SM320C40HFHS60	Active	Production	CFP (HFH) 352	1 JEDEC TRAY (5+1)	Yes	Call TI	N/A for Pkg Type	-55 to 100	SM320C40HFHS60
SM320C40HFHS60.A	Active	Production	CFP (HFH) 352	1 JEDEC TRAY (5+1)	Yes	Call TI	N/A for Pkg Type	-55 to 100	SM320C40HFHS60
SMJ320C40GFM40	Active	Production	CPGA (GF) 325	1 JEDEC TRAY (5+1)	No	Call TI	N/A for Pkg Type	-55 to 125	5962-9466902QX A SMJ320C40GFM40
SMJ320C40GFM40.A	Active	Production	CPGA (GF) 325	1 JEDEC TRAY (5+1)	No	Call TI	N/A for Pkg Type	-55 to 125	5962-9466902QX A SMJ320C40GFM40
SMJ320C40GFM50	Active	Production	CPGA (GF) 325	10 JEDEC TRAY (5+1)	No	Call TI	N/A for Pkg Type	-55 to 125	5962-9466903QX A SMJ320C40GFM50
SMJ320C40GFM50.A	Active	Production	CPGA (GF) 325	10 JEDEC TRAY (5+1)	No	Call TI	N/A for Pkg Type	-55 to 125	5962-9466903QX A SMJ320C40GFM50
SMJ320C40GFS60	Active	Production	CPGA (GF) 325	10 JEDEC TRAY (5+1)	-	Call TI	N/A for Pkg Type	-55 to 100	5962-9466904QX A SMJ320C40GFS60
SMJ320C40GFS60.A	Active	Production	CPGA (GF) 325	10 JEDEC TRAY (5+1)	-	Call TI	N/A for Pkg Type	-55 to 100	5962-9466904QX A SMJ320C40GFS60

Orderable part number	Status (1)	Material type (2)	Package Pins	Package qty Carrier	RoHS (3)	Lead finish/ Ball material (4)	MSL rating/ Peak reflow (5)	Op temp (°C)	Part marking (6)
SMJ320C40HFHM40	Active	Production	CFP (HFH) 352	3 JEDEC TRAY (5+1)	Yes	Call TI	N/A for Pkg Type	-55 to 125	5962-9466902QY C SMJ320C40HFHM4 0
SMJ320C40HFHM40.A	Active	Production	CFP (HFH) 352	3 JEDEC TRAY (5+1)	Yes	Call TI	N/A for Pkg Type	-55 to 125	5962-9466902QY C SMJ320C40HFHM4 0
SMJ320C40HFHM50	Active	Production	CFP (HFH) 352	3 JEDEC TRAY (5+1)	Yes	Call TI	N/A for Pkg Type	-55 to 125	5962-9466903QY C SMJ320C40HFHM5 0
SMJ320C40HFHM50.A	Active	Production	CFP (HFH) 352	3 JEDEC TRAY (5+1)	Yes	Call TI	N/A for Pkg Type	-55 to 125	5962-9466903QY C SMJ320C40HFHM5 0
SMJ320C40HFHS60	Active	Production	CFP (HFH) 352	3 JEDEC TRAY (5+1)	Yes	Call TI	N/A for Pkg Type	-55 to 100	5962-9466904QY C SMJ320C40HFHS6 0
SMJ320C40HFHS60.A	Active	Production	CFP (HFH) 352	3 JEDEC TRAY (5+1)	Yes	Call TI	N/A for Pkg Type	-55 to 100	5962-9466904QY C SMJ320C40HFHS6 0

⁽¹⁾ **Status:** For more details on status, see our [product life cycle](#).

⁽²⁾ **Material type:** When designated, preproduction parts are prototypes/experimental devices, and are not yet approved or released for full production. Testing and final process, including without limitation quality assurance, reliability performance testing, and/or process qualification, may not yet be complete, and this item is subject to further changes or possible discontinuation. If available for ordering, purchases will be subject to an additional waiver at checkout, and are intended for early internal evaluation purposes only. These items are sold without warranties of any kind.

⁽³⁾ **RoHS values:** Yes, No, RoHS Exempt. See the [TI RoHS Statement](#) for additional information and value definition.

⁽⁴⁾ **Lead finish/Ball material:** Parts may have multiple material finish options. Finish options are separated by a vertical ruled line. Lead finish/Ball material values may wrap to two lines if the finish value exceeds the maximum column width.

(5) **MSL rating/Peak reflow:** The moisture sensitivity level ratings and peak solder (reflow) temperatures. In the event that a part has multiple moisture sensitivity ratings, only the lowest level per JEDEC standards is shown. Refer to the shipping label for the actual reflow temperature that will be used to mount the part to the printed circuit board.

(6) **Part marking:** There may be an additional marking, which relates to the logo, the lot trace code information, or the environmental category of the part.

Multiple part markings will be inside parentheses. Only one part marking contained in parentheses and separated by a "~" will appear on a part. If a line is indented then it is a continuation of the previous line and the two combined represent the entire part marking for that device.

Important Information and Disclaimer:The information provided on this page represents TI's knowledge and belief as of the date that it is provided. TI bases its knowledge and belief on information provided by third parties, and makes no representation or warranty as to the accuracy of such information. Efforts are underway to better integrate information from third parties. TI has taken and continues to take reasonable steps to provide representative and accurate information but may not have conducted destructive testing or chemical analysis on incoming materials and chemicals. TI and TI suppliers consider certain information to be proprietary, and thus CAS numbers and other limited information may not be available for release.

In no event shall TI's liability arising out of such information exceed the total purchase price of the TI part(s) at issue in this document sold by TI to Customer on an annual basis.

OTHER QUALIFIED VERSIONS OF SM320C40, SMJ320C40 :

- Catalog : [TMS320C40](#), [TMS320C40](#)
- Military : [SMJ320C40](#)

NOTE: Qualified Version Definitions:

- Catalog - TI's standard catalog product
- Military - QML certified for Military and Defense Applications

TRAY


Chamfer on Tray corner indicates Pin 1 orientation of packed units.

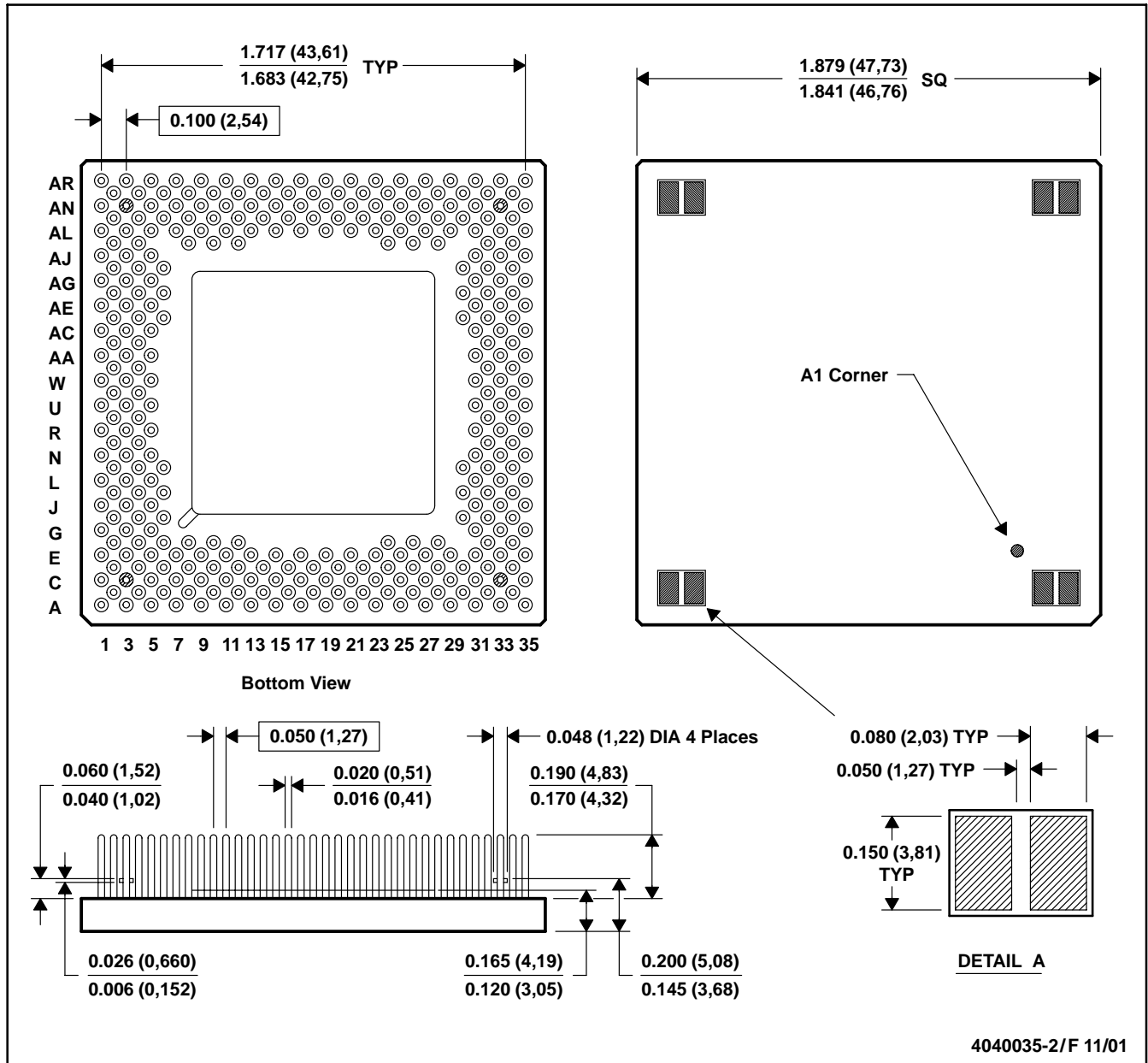
*All dimensions are nominal

Device	Package Name	Package Type	Pins	SPQ	Unit array matrix	Max temperature (°C)	L (mm)	W (mm)	K0 (µm)	P1 (mm)	CL (mm)	CW (mm)
5962-9466902QXA	GF	CPGA	325	1	2X5	45	314.98	135.89	12190	60.96	35.56	34.93
5962-9466902QXC	GF	CPGA	325	10	2X5	45	314.98	135.89	12190	60.96	35.56	34.93
5962-9466902QXC.A	GF	CPGA	325	10	2X5	45	314.98	135.89	12190	60.96	35.56	34.93
5962-9466903QXA	GF	CPGA	325	10	2X5	45	314.98	135.89	12190	60.96	35.56	34.93
5962-9466903QXC	GF	CPGA	325	10	2X5	45	314.98	135.89	12190	60.96	35.56	34.93
5962-9466903QXC.A	GF	CPGA	325	10	2X5	45	314.98	135.89	12190	60.96	35.56	34.93
5962-9466904QXA	GF	CPGA	325	10	2X5	45	314.98	135.89	12190	60.96	35.56	34.93
SM320C40GFM40	GF	CPGA	325	10	2X5	45	314.98	135.89	12190	60.96	35.56	34.93
SM320C40GFM40.A	GF	CPGA	325	10	2X5	45	314.98	135.89	12190	60.96	35.56	34.93
SM320C40GFM50	GF	CPGA	325	10	2X5	45	314.98	135.89	12190	60.96	35.56	34.93
SM320C40GFM50.A	GF	CPGA	325	10	2X5	45	314.98	135.89	12190	60.96	35.56	34.93
SM320C40GFS60	GF	CPGA	325	10	2X5	45	314.98	135.89	12190	60.96	35.56	34.93
SM320C40GFS60.A	GF	CPGA	325	10	2X5	45	314.98	135.89	12190	60.96	35.56	34.93
SMJ320C40GFM40	GF	CPGA	325	1	2X5	45	314.98	135.89	12190	60.96	35.56	34.93
SMJ320C40GFM40.A	GF	CPGA	325	1	2X5	45	314.98	135.89	12190	60.96	35.56	34.93
SMJ320C40GFM50	GF	CPGA	325	10	2X5	45	314.98	135.89	12190	60.96	35.56	34.93
SMJ320C40GFM50.A	GF	CPGA	325	10	2X5	45	314.98	135.89	12190	60.96	35.56	34.93

Device	Package Name	Package Type	Pins	SPQ	Unit array matrix	Max temperature (°C)	L (mm)	W (mm)	K0 (µm)	P1 (mm)	CL (mm)	CW (mm)
SMJ320C40GFS60	GF	CPGA	325	10	2X5	45	314.98	135.89	12190	60.96	35.56	34.93
SMJ320C40GFS60.A	GF	CPGA	325	10	2X5	45	314.98	135.89	12190	60.96	35.56	34.93

GF (S-CPGA-P325)

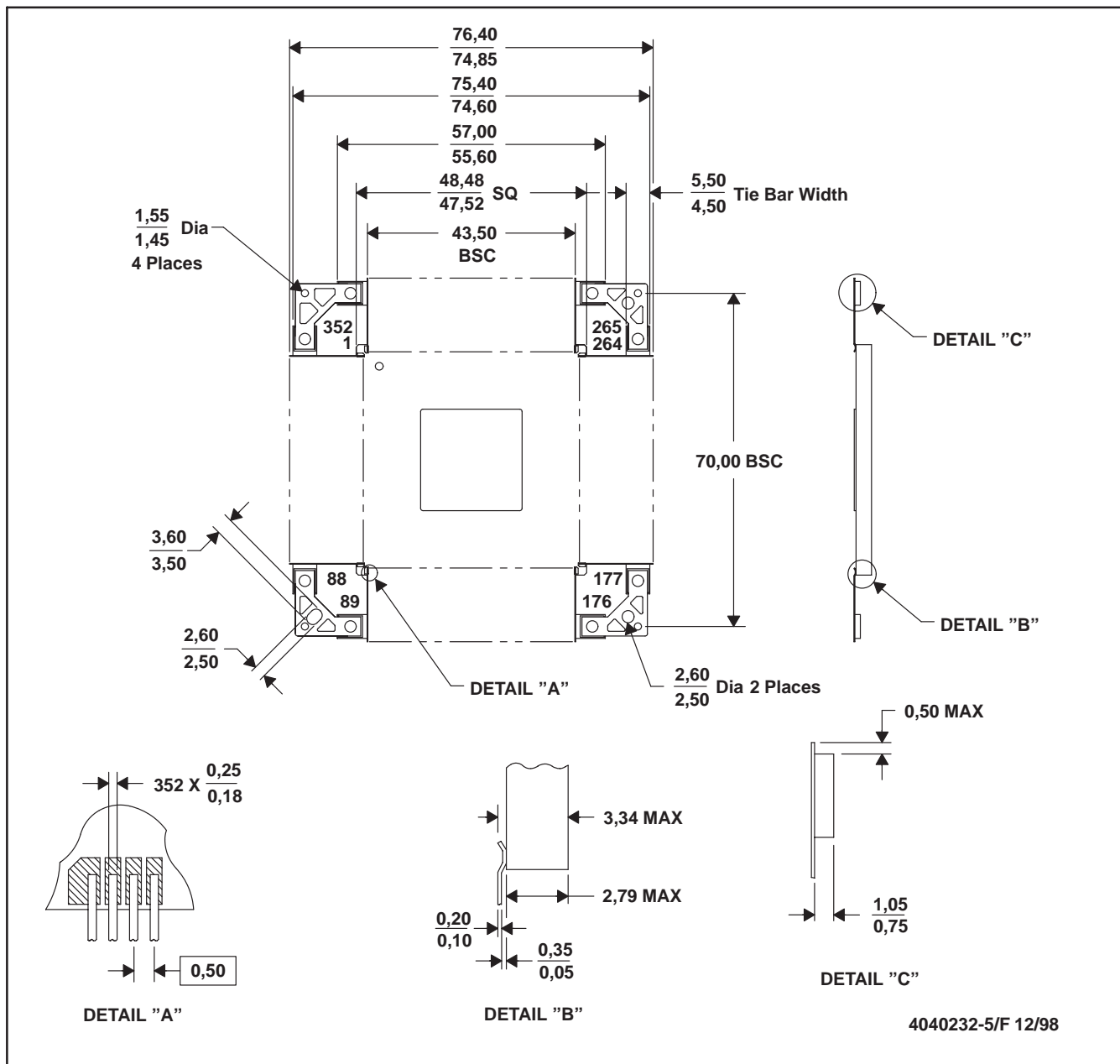
CERAMIC PIN GRID ARRAY



- NOTES:
- A. All linear dimensions are in inches (millimeters).
 - B. This drawing is subject to change without notice.
 - C. Index mark can appear on top or bottom, depending on package vendor.
 - D. Pins are located within 0.010 (0,25) diameter of true position relative to each other at maximum material condition and within 0.030 (0,76) diameter relative to the edge of the ceramic.
 - E. This package can be hermetically sealed with metal lids or with ceramic lids using glass frit.
 - F. The pins can be gold-plated or solder-dipped.
 - G. Package thickness of 0.165 (4,19) / 0.120 (3,05) includes package body and lid.
 - H. Falls within JEDEC MO-128AK

HFH (R-CQFP-F352)

CERAMIC QUAD FLATPACK WITH NCTB



- NOTES:
- A. All linear dimensions are in millimeters.
 - B. This drawing is subject to change without notice.
 - C. This package is hermetically sealed with a metal lid.
 - D. The terminals are gold-plated.
 - E. Leads not shown for clarity purposes
 - F. Falls within JEDEC MO-134AE

4040232-5/F 12/98

IMPORTANT NOTICE AND DISCLAIMER

TI PROVIDES TECHNICAL AND RELIABILITY DATA (INCLUDING DATASHEETS), DESIGN RESOURCES (INCLUDING REFERENCE DESIGNS), APPLICATION OR OTHER DESIGN ADVICE, WEB TOOLS, SAFETY INFORMATION, AND OTHER RESOURCES "AS IS" AND WITH ALL FAULTS, AND DISCLAIMS ALL WARRANTIES, EXPRESS AND IMPLIED, INCLUDING WITHOUT LIMITATION ANY IMPLIED WARRANTIES OF MERCHANTABILITY, FITNESS FOR A PARTICULAR PURPOSE OR NON-INFRINGEMENT OF THIRD PARTY INTELLECTUAL PROPERTY RIGHTS.

These resources are intended for skilled developers designing with TI products. You are solely responsible for (1) selecting the appropriate TI products for your application, (2) designing, validating and testing your application, and (3) ensuring your application meets applicable standards, and any other safety, security, regulatory or other requirements.

These resources are subject to change without notice. TI grants you permission to use these resources only for development of an application that uses the TI products described in the resource. Other reproduction and display of these resources is prohibited. No license is granted to any other TI intellectual property right or to any third party intellectual property right. TI disclaims responsibility for, and you fully indemnify TI and its representatives against any claims, damages, costs, losses, and liabilities arising out of your use of these resources.

TI's products are provided subject to [TI's Terms of Sale](#), [TI's General Quality Guidelines](#), or other applicable terms available either on ti.com or provided in conjunction with such TI products. TI's provision of these resources does not expand or otherwise alter TI's applicable warranties or warranty disclaimers for TI products. Unless TI explicitly designates a product as custom or customer-specified, TI products are standard, catalog, general purpose devices.

TI objects to and rejects any additional or different terms you may propose.

Copyright © 2026, Texas Instruments Incorporated

Last updated 10/2025