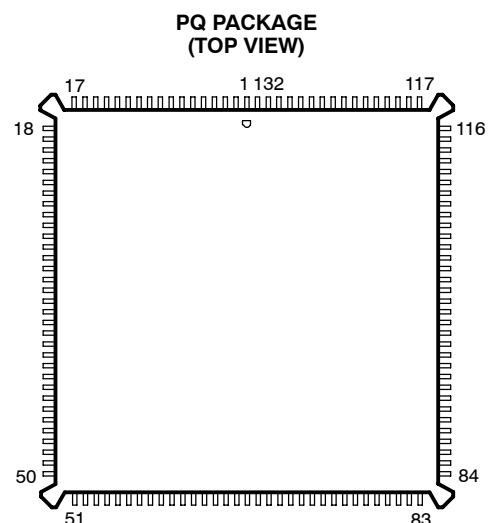
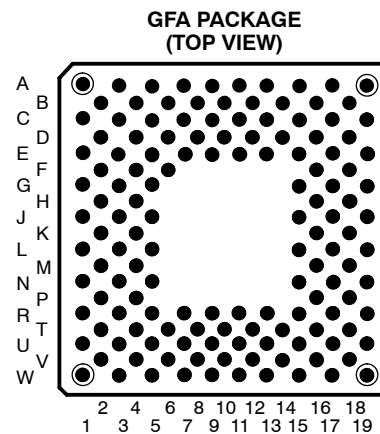
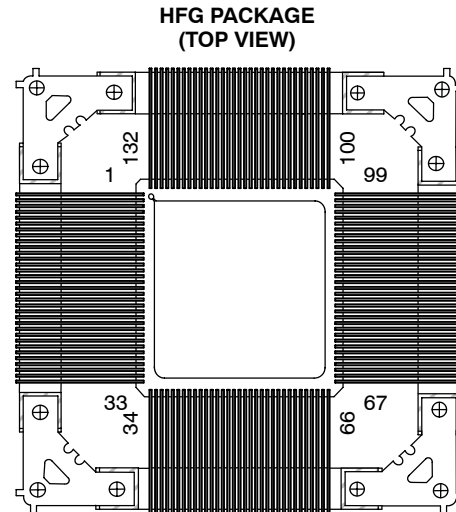


# SMJ320C50/SMQ320C50 DIGITAL SIGNAL PROCESSOR

SGUS020B - JUNE 1996 - REVISED SEPTEMBER 2001

- **Military Operating Temperature Range:**  
- 55°C to 125°C
- **Processed to MIL-PRF-38535**
- **Fast Instruction Cycle Time (30 ns and 40 ns)**
- **Source-Code Compatible With All C1x and C2x Devices**
- **RAM-Based Operation**
  - 9K × 16-Bit Single-Cycle On-Chip Program/Data RAM
  - 1056 × 16-Bit Dual-Access On-Chip Data RAM
- **2K × 16-Bit On-Chip Boot ROM**
- **224K × 16-Bit Maximum Addressable External Memory Space (64K Program, 64K Data, 64K I/O, and 32K Global)**
- **32-Bit Arithmetic Logic Unit (ALU)**
  - 32-bit Accumulator (ACC)
  - 32-Bit Accumulator Buffer (ACCB)
- **16-Bit Parallel Logic Unit (PLU)**
- **16 × 16-Bit Multiplier, 32-Bit Product**
- **11 Context-Switch Registers**
- **Two Buffers for Circular Addressing**
- **Full-Duplex Synchronous Serial Port**
- **Time-Division Multiplexed Serial Port (TDM)**
- **Timer With Control and Counter Registers**
- **16 Software Programmable Wait-State Generators**
- **Divide-by-One Clock Option**
- **IEEE 1149.1<sup>†</sup> Boundary Scan Logic**
- **Operations Are Fully Static**
- **Enhanced Performance Implanted CMOS (EPIC™) Technology Fabricated by Texas Instruments**
- **Packaging**
  - 141-Pin Ceramic Grid Array (GFA Suffix)
  - 132-Lead Ceramic Quad Flat Package (HFG Suffix)
  - 132-Lead Plastic Quad Flat Package (PQ Suffix)



Please be aware that an important notice concerning availability, standard warranty, and use in critical applications of Texas Instruments semiconductor products and disclaimers thereto appears at the end of this data sheet.

<sup>†</sup> IEEE Standard 1149.1-1990 Standard-Test-Access Port and Boundary Scan Architecture  
EPIC is a trademark of Texas Instruments Incorporated.

PRODUCTION DATA information is current as of publication date. Products conform to specifications per the terms of Texas Instruments standard warranty. Production processing does not necessarily include testing of all parameters.

 **TEXAS  
INSTRUMENTS**

POST OFFICE BOX 1443 • HOUSTON, TEXAS 77251-1443

Copyright © 1998, Texas Instruments Incorporated  
On products compliant to MIL-STD-883, Class B, all parameters are tested unless otherwise noted. On all other products, production processing does not necessarily include testing of all parameters.

# SMJ320C50/SMQ320C50 DIGITAL SIGNAL PROCESSOR

SGUS020B - JUNE 1996 - REVISED SEPTEMBER 2001

## description

The SMJ320C50 digital signal processor (DSP) is a high-performance, 16-bit, fixed-point processor manufactured in 0.72- $\mu\text{m}$  double-level metal CMOS technology. The SMJ320C50 is the first DSP from TI designed as a fully static device. Full-static CMOS design contributes to low power consumption while maintaining high performance, making it ideal for applications such as battery-operated communications systems, satellite systems, and advanced control algorithms.

A number of enhancements to the basic SMJ320C2x architecture give the C50 a minimum 2 $\times$  performance over the previous generation. A four-deep instruction pipeline, that incorporates delayed branching, delayed call to subroutine, and delayed return from subroutine, allows the C50 to perform instructions in fewer cycles. The addition of a parallel logic unit (PLU) gives the C50 a method for manipulating bits in data memory without using the accumulator and ALU. The C50 has additional shifting and scaling capability for proper alignment of multiplicands or storage of values to data memory.

The C50 achieves its low-power consumption through the IDLE2 instruction. IDLE2 removes the functional clock from the internal hardware of the C50, which puts it into a total-sleep mode that uses only 7  $\mu\text{A}$ . A low-logic level on an external interrupt with a duration of at least five clock cycles ends the IDLE2 mode.

The C50 is available with two clock speeds. The clock frequencies are 50 MHz, providing a 40-ns cycle time, and 66 MHz, providing a 30-ns cycle time. The available options are listed in Table 1.

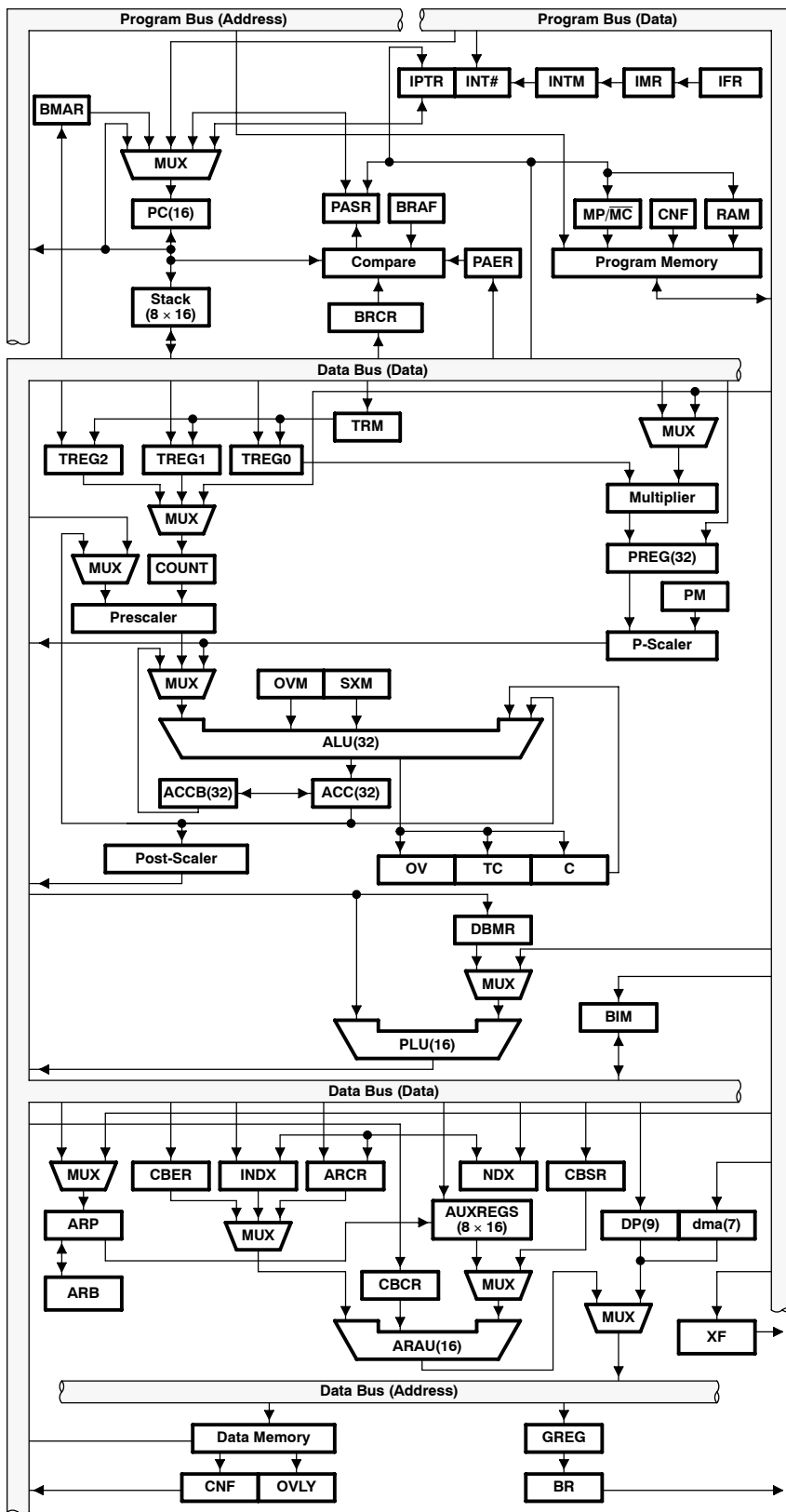
**Table 1. Available Options**

PART NUMBER	SPEED	SUPPLY VOLTAGE TOLERANCE	PACKAGE
SMJ320C50GFAM66	30-ns cycle time	$\pm 5\%$	Pin grid array
SMJ320C50HFGM66	30-ns cycle time	$\pm 5\%$	Quad flat package
SMJ320C50GFAM50	40 ns cycle time	$\pm 5\%$	Pin grid array
SMJ320C50HFGM50	40 ns cycle time	$\pm 5\%$	Quad flat package
SMQ320C50PQM66 <sup>†</sup>	30 ns cycle time	$\pm 5\%$	Plastic Quad flat package

<sup>†</sup> When ordering, use DESC P/N 5962-9455804NZD



functional block diagram



# SMJ320C50/SMQ320C50 DIGITAL SIGNAL PROCESSOR

SGUS020B - JUNE 1996 - REVISED SEPTEMBER 2001

## terminal assignments

NAME	PQ PKG	HFG PKG	GFA PKG	NAME	PQ PKG	HFG PKG	GFA PKG
NC†	18	1		A2	57	40	W3
NC†	19	2		A3	58	41	U7
VSS3	20	3	D8	A4	59	42	V6
VSS4	21	4	D10	A5	60	43	W5
NC†	22	5		A6	61	44	U9
D7	23	6	E3	A7	62	45	V8
D6	24	7	D2	A8	63	46	W7
D5	25	8	C1	A9	64	47	W9
D4	26	9	G3	VDD7	65	48	E9
D3	27	10	F2	VDD8	66	49	E11
D2	28	11	E1	TDI	67	50	V10
D1	29	12	J3	VSS9	68	51	K4
D0(LSB)	30	13	H2	VSS10	69	52	M4
TMS	31	14	G1	NC†	70	53	
VDD3	32	15	C3	CLKMD1	71	54	W11
VDD4	33	16	D4	A10	72	55	W13
TCK	34	17	J1	A11	73	56	V12
VSS5	35	18	D12	A12	74	57	U11
VSS6	36	19	F4	A13	75	58	W15
NC†	37	20		A14	76	59	V14
INT1	38	21	L1	A15(MSB)	77	60	U13
INT2	39	22	N1	NC†	78	61	
INT3	40	23	M2	NC†	79	62	
INT4	41	24	L3	VDD9	80	63	E13
NMI	42	25	R1	VDD10	81	64	G5
DR	43	26	P2	RD	82	65	V16
TDR	44	27	N3	WE	83	66	U15
FSR	45	28	T2	NC†	84	67	
CLKR	46	29	R3	NC†	85	68	
VDD5	47	30	E5	VSS11	86	69	P4
VDD6	48	31	E7	VSS12	87	70	T4
NC†	49	32		NC†	88	71	
NC†	50	33		DS	89	72	R17
NC†	51	34		TS	90	73	T18
NC†	52	35		PS	91	74	U19
VSS7	53	36	H4	R/W	92	75	N17
VSS8	54	37	K2	STRB	93	76	P18
A0	55	38	U5	BR	94	77	R19
A1	56	39	V4	CLKIN2	95	78	L17

† NC = No internal connection

GFA Package additional connections:

V<sub>DD</sub>: R11, E15, G15, J15, L15, N15, R13, R15, T16, U17, V18, W17, W19

V<sub>SS</sub>: T14, U1, U3, V2, W1, C17, C19, D14, D16, D18, F16, H16, K16, M16, P16



**terminal assignments (continued)**

NAME	PQ PKG	HFG PKG	GFA PKG	NAME	PQ PKG	HFG PKG	GFA PKG
X2/CLKIN	96	79	M18	TCLKX	123	106	B16
X1	97	80	N19	CLKX	124	107	A17
VDD11	98	81	J5	TFSR/TADD	125	108	C13
VDD12	99	82	L5	TCLKR	126	109	B14
TDO	100	83	L19	RS	127	110	A15
VSS13	101	84	T6	READY	128	111	C11
VSS14	102	85	T8	HOLD	129	112	B12
CLKMD2	103	86	K18	BIO	130	113	A13
FSX	104	87	J19	VDD15	131	114	R7
TFSX/TFRM	105	88	G19	VDD16	132	115	R9
DX	106	89	H18	IAQ	1	116	A11
TDX	107	90	J17	TRST	2	117	A9
HOLDA	108	91	E19	VSS1	3	118	B10
XF	109	92	F18	VSS2	4	119	D6
CLKOUT1	110	93	G17	MP/MC	5	120	A7
NC†	111	94		D15(MSB)	6	121	B8
IACK	112	95	E17	D14	7	122	C9
VDD13	113	96	N5	D13	8	123	A5
VDD14	114	97	R5	D12	9	124	B6
NC†	115	98		D11	10	125	C7
NC†	116	99		D10	11	126	A3
NC†	117	100		D9	12	127	B4
EMU0	118	101	B18	D8	13	128	C5
EMU1/OFF	119	102	A19	VDD1	14	129	A1
VSS15	120	103	T10	VDD2	15	130	B2
VSS16	121	104	T12	NC†	16	131	
TOUT	122	105	C15	NC†	17	132	

† NC = No internal connection

GFA Package additional connections:

V<sub>DD</sub>: R11, E15, G15, J15, L15, N15, R13, R15, T16, U17, V18, W17, W19

V<sub>SS</sub>: T14, U1, U3, V2, W1, C17, C19, D14, D16, D18, F16, H16, K16, M16, P16

# SMJ320C50/SMQ320C50 DIGITAL SIGNAL PROCESSOR

SGUS020B - JUNE 1996 - REVISED SEPTEMBER 2001

## Terminal Functions

TERMINAL NAME	TYPE†	DESCRIPTION
<b>ADDRESS AND DATA BUSES</b>		
A15 (MSB) A14 A13 A12 A11 A10 A9 A8 A7 A6 A5 A4 A3 A2 A1 A0 (LSB)	I/O/Z	Parallel address bus. Multiplexed to address external data, program memory, or I/O. A0-A15 are in the high-impedance state in hold mode and when $\overline{\text{OFF}}$ is active (low). These signals are used as inputs for external DMA access of the on-chip single-access RAM. They become inputs while $\overline{\text{HOLDA}}$ is active (low) if $\overline{\text{BR}}$ is driven low externally.
D15 (MSB) D14 D13 D12 D11 D10 D9 D8 D7 D6 D5 D4 D3 D2 D1 D0 (LSB)	I/O/Z	Parallel data bus. Multiplexed to transfer data between the core CPU and external data, program memory, or I/O devices. D0-D15 are in the high-impedance state when not outputting data, when $\overline{\text{RS}}$ or $\overline{\text{HOLD}}$ is asserted, or when $\overline{\text{OFF}}$ is active (low). These signals also are used in external DMA access of the on-chip single-access RAM.
<b>MEMORY CONTROL SIGNALS</b>		
$\overline{\text{DS}}$ $\overline{\text{PS}}$ $\overline{\text{IS}}$	O/Z	Data, program, and I/O space select signals. Always high unless asserted for communicating to a particular external space. $\overline{\text{DS}}$ , $\overline{\text{PS}}$ , and $\overline{\text{IS}}$ are in the high-impedance state in hold mode or when $\overline{\text{OFF}}$ is active (low).
READY	I	Data ready input. Indicates that an external device is prepared for the bus transaction to be completed. If the device is not ready (READY is low), the processor waits one cycle and checks READY again. READY also indicates a bus grant to an external device after a $\overline{\text{BR}}$ (bus request) signal.
R/ $\overline{\text{W}}$	I/O/Z	Read/write. R/ $\overline{\text{W}}$ indicates transfer direction during communication to an external device and is normally in read mode (high) unless asserted for performing a write operation. R/ $\overline{\text{W}}$ is in the high-impedance state in hold mode or when $\overline{\text{OFF}}$ is active (low). Used in external DMA access of the 9K RAM cell, this signal indicates the direction of the data bus for DMA reads (high) and writes (low) when $\overline{\text{HOLDA}}$ and $\overline{\text{IAQ}}$ are active (low).
$\overline{\text{STRB}}$	I/O/Z	Strobe. Always high unless asserted to indicate an external bus cycle, $\overline{\text{STRB}}$ is in the high-impedance state in the hold mode or when $\overline{\text{OFF}}$ is active (low). Used in external DMA access of the on-chip single-access RAM and while $\overline{\text{HOLDA}}$ and $\overline{\text{IAQ}}$ are active (low), $\overline{\text{STRB}}$ is used to select the memory access.
$\overline{\text{RD}}$	O/Z	Read select. $\overline{\text{RD}}$ indicates an active external read cycle and can connect directly to the output enable ( $\overline{\text{OE}}$ ) of external devices. This signal is active on all external program, data, and I/O reads. $\overline{\text{RD}}$ is in the high-impedance state in hold mode or when $\overline{\text{OFF}}$ is active (low).

† I = Input, O = Output, Z = High-Impedance

NOTE: All input pins that are unused should be connected to  $V_{DD}$  or an external pullup resistor. The  $\overline{\text{BR}}$  pin has an internal pullup for performing DMA to the on-chip RAM. For emulation,  $\overline{\text{TRST}}$  has an internal pulldown, and TMS, TCK, and TDI have internal pullups. EMU0 and EMU1 require external pullups to support emulation.



**Terminal Functions (Continued)**

TERMINAL NAME	TYPE†	DESCRIPTION
<b>MEMORY CONTROL SIGNALS (CONTINUED)</b>		
$\overline{WE}$	O/Z	Write enable. The falling edge indicates that the device is driving the external data bus (D15-D0). Data can be latched by an external device on the rising edge of $\overline{WE}$ . This signal is active on all external program, data, and I/O writes. $\overline{WE}$ is in the high-impedance state in hold mode or when $\overline{OFF}$ is active (low).
<b>MULTIPROCESSING SIGNALS</b>		
$\overline{HOLD}$	I	Hold. $\overline{HOLD}$ is asserted to request control of the address, data, and control lines. When acknowledged by the C50, these lines go to the high-impedance state.
$\overline{HOLDA}$	O/Z	Hold acknowledge. $\overline{HOLDA}$ indicates to the external circuitry that the processor is in a hold state and that the address, data, and memory control lines are in the high-impedance state so that they are available to the external circuitry for access to local memory. This signal also goes to the high-impedance state when $\overline{OFF}$ is active (low).
$\overline{BR}$	I/O/Z	Bus request. $\overline{BR}$ is asserted during access of external global data memory space. $\overline{READY}$ is asserted when the global data memory is available for the bus transaction. $\overline{BR}$ can be used to extend the data memory address space by up to 32K words. $\overline{BR}$ goes to the high-impedance state when $\overline{OFF}$ is active low. $\overline{BR}$ is used in external DMA access of the on-chip single-access RAM. While $\overline{HOLDA}$ is active (low), $\overline{BR}$ is externally driven (low) to request access to the on-chip single-access RAM.
$\overline{IAQ}$	O/Z	Instruction acquisition. Asserted (active) when there is an instruction address on the address bus; goes into the high-impedance state when $\overline{OFF}$ is active (low). $\overline{IAQ}$ is also used in external DMA access of the on-chip single-access RAM. While $\overline{HOLDA}$ is active (low), $\overline{IAQ}$ acknowledges the $\overline{BR}$ request for access of the on-chip single-access RAM and stops indicating instruction acquisition.
$\overline{BIO}$	I	Branch control. $\overline{BIO}$ samples as the $\overline{BIO}$ condition and, if it is low, causes the device to execute the conditional instruction. $\overline{BIO}$ must be active during the fetch of the conditional instruction.
$\overline{XF}$	O/Z	External flag (latched software-programmable signal). Set high or low by a specific instruction or by loading status register 1 (ST1). Used for signaling other processors in multiprocessor configurations or as a general-purpose output. $\overline{XF}$ goes to the high-impedance state when $\overline{OFF}$ is active (low) and is set high at reset.
$\overline{IACK}$	O/Z	Interrupt acknowledge. Indicates receipt of an interrupt and that the program counter is fetching the interrupt vector location designated by A15-A0. $\overline{IACK}$ goes to the high-impedance state when $\overline{OFF}$ is active (low).
<b>INITIALIZATION, INTERRUPT, AND RESET OPERATIONS</b>		
$\overline{INT4}$ $\overline{INT3}$ $\overline{INT2}$ $\overline{INT1}$	I	External interrupts. $\overline{INT1}$ - $\overline{INT4}$ are prioritized and maskable by the interrupt mask register (IMR) and interrupt mode bit (INTM, bit 9 of status register 0). These signals can be polled and reset by using the interrupt flag register.
$\overline{NMI}$	I	Nonmaskable interrupt. $\overline{NMI}$ is the external interrupt that cannot be masked via INTM or IMR. When $\overline{NMI}$ is activated, the processor traps to the appropriate vector location.
$\overline{RS}$	I	Reset. $\overline{RS}$ causes the device to terminate execution and forces the program counter to zero. When $\overline{RS}$ is brought to a high level, execution begins at location zero of program memory.
$\overline{MP/MC}$	I	Microprocessor/microcomputer select. If active (low) at reset (microcomputer mode), the signal causes the internal program ROM to be mapped into program memory space. In the microprocessor mode, all program memory is mapped externally. This signal is sampled only during reset, and the mode that is set at reset can be overridden via the software control bit MP/MC in the PMST register.
<b>OSCILLATOR/TIMER SIGNALS</b>		
$\overline{CLKOUT1}$	O/Z	Master clock (or CLKIN2 frequency). $\overline{CLKOUT1}$ cycles at the machine-cycle rate of the CPU. The internal machine cycle is bounded by the rising edges of this signal. This signal goes to the high-impedance state when $\overline{OFF}$ is active (low).

† I = Input, O = Output, Z = High-Impedance

# SMJ320C50/SMQ320C50 DIGITAL SIGNAL PROCESSOR

SGUS020B - JUNE 1996 - REVISED SEPTEMBER 2001

## Terminal Functions (Continued)

TERMINAL NAME	TYPE†	DESCRIPTION		
<b>OSCILLATOR/TIMER SIGNALS (CONTINUED)</b>				
CLKMD1 CLKMD2	I	CLKMD1	CLKMD2	Clock mode
		0	0	External clock with divide-by-two option. Input clock is provided to X2/CLKIN1. Internal oscillator and PLL are disabled.
		0	1	Reserved for test purposes
		1	0	External divide-by-one option. Input clock is provided to CLKIN2. Internal oscillator is disabled and internal PLL is enabled.
		1	1	Internal or external divide-by-two option. Input clock is provided to X2/CLKIN1. Internal oscillator is enabled and internal PLL is disabled.
X2/CLKIN	I	Input to the internal oscillator from the crystal. If the internal oscillator is not being used, a clock can be input to the device on X2/CLKIN. The internal machine cycle is half this clock rate.		
X1	O	Output from the internal oscillator for the crystal. If the internal oscillator is not used, X1 must be left unconnected. This signal does not go to the high-impedance state when $\overline{\text{OFF}}$ is active (low).		
CLKIN2	I	Divide-by-one input clock for driving the internal machine rate.		
TOUT	O	Timer output. TOUT signals a pulse when the on-chip timer counts down past zero. The pulse is a CLKOUT1 cycle wide.		
<b>SUPPLY PINS</b>				
V <sub>DD1</sub> V <sub>DD2</sub> V <sub>DD3</sub> V <sub>DD4</sub>	I	Power supply for data bus		
V <sub>DD5</sub> V <sub>DD6</sub>	I	Power supply for address bus		
V <sub>DD7</sub> V <sub>DD8</sub>	I	Power supply for inputs and internal logic		
V <sub>DD9</sub> V <sub>DD10</sub>	I	Power supply for address bus		
V <sub>DD11</sub> V <sub>DD12</sub>	I	Power supply for memory control signals		
V <sub>DD13</sub> V <sub>DD14</sub>	I	Power supply for inputs and internal logic		
V <sub>DD15</sub> V <sub>DD16</sub>	I	Power supply for memory control signals		
V <sub>SS1</sub> V <sub>SS2</sub>	I	Ground for memory control signals		
V <sub>SS3</sub> V <sub>SS4</sub> V <sub>SS5</sub> V <sub>SS6</sub>	I	Ground for data bus		
V <sub>SS7</sub> V <sub>SS8</sub> V <sub>SS9</sub> V <sub>SS10</sub>	I	Ground for address bus		
V <sub>SS11</sub> V <sub>SS12</sub>	I	Ground for memory control signals		
V <sub>SS13</sub> V <sub>SS14</sub> V <sub>SS15</sub> V <sub>SS16</sub>	I	Ground for inputs and internal logic		

† I = Input, O = Output, Z = High-Impedance





**Terminal Functions (Continued)**

TERMINAL NAME      TYPE†		DESCRIPTION
<b>SERIAL PORT SIGNALS</b>		
CLKR TCLKR	I	Receive clock. External clock signal for clocking data from DR (data receive) or TDR (TDM data receive) into the RSR (serial port receive shift register). Must be present during serial port transfers. If the serial port is not being used, these signals can be sampled as an input via the IN0 bit of the serial port control (SPC) or TDR serial port control (TSPC) registers.
CLKX TCLKX	I/O/Z	Transmit clock. Clock signal for clocking data from the DR or TDR to the DX (data transmit) or TDX (TDM data transmit pins). CLKX can be an input if the MCM bit in the serial port control register is set to 0. It can also be driven by the device at 1/4 the CLKOUT1 frequency when the MCM bit is set to 1. If the serial port is not being used, this pin can be sampled as an input via the IN1 bit of the SPC or TSPC register. This signal goes into the high-impedance state when $\overline{\text{OFF}}$ is active (low).
DR TDR	I	Serial data receive. Serial data is received in the RSR (serial port receive shift register) via DR or TDR.
DX TDX	O/Z	Serial port transmit. Serial data transmitted from XSR (serial port transmit shift register) via DX or TDX. This signal is in the high-impedance state when not transmitting and when $\overline{\text{OFF}}$ is active (low).
FSR TF SR/TADD	I I/O/Z	Frame synchronization pulse for receive. The falling edge of FSR or TFSR initiates the data receive process, which begins the clocking of the RSR. TFSR becomes an input/output (TADD) pin when the serial port is operating in the TDM mode (TDM bit = 1). In TDM mode, this pin is used to input/output the address of the port. This signal goes into the high-impedance state when $\overline{\text{OFF}}$ is active (low).
FSX TF SX/TFRM	I/O/Z	Frame synchronization pulse for transmit. The falling edge of FSX/TFSX initiates the data transmit process, which begins the clocking of the XSR. Following reset, the default operating condition of FSX/TFSX is an input. This pin may be selected by software to be an output when the TXM bit in the serial control register is set to 1. This signal goes to the high-impedance state when $\overline{\text{OFF}}$ is active (low). When operating in TDM mode (TDM bit = 1), TFSX becomes TFRM, the TDM frame-synchronization pulse.
<b>TEST SIGNALS</b>		
TCK	I	Boundary scan test clock. This is normally a free-running clock with a 50% duty cycle. The changes of TAP (test access port) input signals (TMS and TDI) are clocked into the TAP controller, instruction register, or selected test data register on the rising edge of TCK. Changes at the TAP output signal (TDO) occur on the falling edge of TCK.
TDI	I	Boundary scan test data input. TDI is clocked into the selected register (instruction or data) on a rising edge of TCK.
TDO	O/Z	Boundary scan test data output. The contents of the selected register (instruction or data) is shifted out of TDO on the falling edge of TCK. TDO is in the high-impedance state except when scanning of data is in progress. This signal also goes to the high-impedance state when $\overline{\text{OFF}}$ is active (low).
TMS	I	Boundary scan test mode select. This serial control input is clocked into the test access port (TAP) controller on the rising edge of TCK.
$\overline{\text{TRST}}$	I	Boundary scan test reset. Asserting this signal gives the JTAG scan system control of the operations of the device. If this signal is not connected or is driven low, the device operates in its functional mode and the boundary scan signals are ignored.
EMU0	I/O/Z	Emulator 0. When $\overline{\text{TRST}}$ is driven low, EMU0 must be high for activation of the $\overline{\text{OFF}}$ condition (see EMU1/ $\overline{\text{OFF}}$ ). When $\overline{\text{TRST}}$ is driven high, EMU0 is used as an interrupt to or from the emulator system and is defined as input/output via boundary scan.
EMU1/ $\overline{\text{OFF}}$	I/O/Z	Emulator 1/ $\overline{\text{OFF}}$ . When $\overline{\text{TRST}}$ is driven high, EMU1/ $\overline{\text{OFF}}$ is used as an interrupt to or from the emulator system and is defined as input/output via boundary scan. When $\overline{\text{TRST}}$ is driven low, EMU1/ $\overline{\text{OFF}}$ is configured as $\overline{\text{OFF}}$ . When the $\overline{\text{OFF}}$ signal is active (low), all output drivers are in the high-impedance state. $\overline{\text{OFF}}$ is used exclusively for testing and emulation purposes (not for multiprocessing applications). For the $\overline{\text{OFF}}$ condition, the following conditions apply: <ul style="list-style-type: none"> <li>• TRST = Low</li> <li>• EMU0 = High</li> <li>• EMU1/<math>\overline{\text{OFF}}</math> = Low</li> </ul>
RESERVED‡	N/C	Reserved. This pin must be left unconnected.

† I = Input, O = Output, Z = High-Impedance

‡ Quad flat pack only

# SMJ320C50/SMQ320C50 DIGITAL SIGNAL PROCESSOR

SGUS020B - JUNE 1996 - REVISED SEPTEMBER 2001

## absolute maximum ratings over operating case temperature range (unless otherwise noted)<sup>†</sup>

Supply voltage range, $V_{DD}$ (see Note 1)	- 0.3 V to 7 V
Input voltage range	- 0.3 V to 7 V
Output voltage range	- 0.3 V to 7 V
Operating case temperature range, $T_C$	- 55°C to 125°C
Storage temperature range, $T_{stg}$	- 65°C to 150°C

<sup>†</sup> Stresses beyond those listed under "absolute maximum ratings" may cause permanent damage to the device. These are stress ratings only and functional operation of the device at these or any other conditions beyond those indicated under "recommended operating conditions" is not implied. Exposure to absolute-maximum-rated conditions for extended periods may affect device reliability.

NOTE 1: All voltage values are with respect to  $V_{SS}$ .

## recommended operating conditions

	MIN	NOM	MAX	UNIT
$V_{DD}$ Supply voltage	4.75	5	5.25	V
$V_{SS}$ Supply voltage		0		V
$V_{IH}$ High-level input voltage	CLKIN, CLKIN2		$V_{DD} + 0.3$	V
	CLKX, CLKR, TCLKX, TCLKR		$V_{DD} + 0.3$	V
	All others		$V_{DD} + 0.3$	V
$V_{IL}$ Low-level input voltage	- 0.3		0.6	V
$I_{OH}$ High-level output current			- 300 <sup>‡</sup>	$\mu$ A
$I_{OL}$ Low-level output current			2	mA
$T_C$ Operating case temperature (see Note 2)	- 55		125	°C

<sup>‡</sup> This  $I_{OH}$  can be exceeded when using a 1-K $\Omega$  pulldown resistor on the TDM serial port TADD output; however, this output still meets  $V_{OH}$  specifications under these conditions.

NOTE 2:  $T_C$  MAX at maximum rated operating conditions at any point on case.  $T_C$  MIN at initial (time zero) power up.

## electrical characteristics over recommended ranges of supply voltage and operating case temperature (unless otherwise noted)

PARAMETER	TEST CONDITIONS <sup>§</sup>	MIN	TYP <sup>¶</sup>	MAX	UNIT
$V_{OH}$ High-level output voltage <sup>#</sup>	$I_{OH} = \text{MAX}$	2.4	3		V
$V_{OL}$ Low-level output voltage <sup>¶</sup>	$I_{OL} = \text{MAX}$		0.3	0.6	V
$I_{OZ}$ High-impedance output current ( $V_{DD} = \text{MAX}$ )	$\overline{B\overline{R}}$ (with internal pullup)	- 500		30	$\mu$ A
	All others	- 30		30	$\mu$ A
$I_i$ Input current ( $V_i = V_{SS}$ to $V_{DD}$ )	TRST (with internal pulldown)	- 30		800	$\mu$ A
	TMS, TCK, TDI (with internal pullups)	- 500		30	$\mu$ A
	X2/CLKIN	- 50		50	$\mu$ A
	All other inputs	- 30		30	$\mu$ A
$I_{DDC}$ Supply current, core CPU	Operating, $T_A = 25^\circ\text{C}$ , $V_{DD} = 5.25$ V, $f_x = 50$ MHz		60	225	mA
$I_{DDP}$ Supply current, pins	Operating, $T_A = 25^\circ\text{C}$ , $V_{DD} = 5.25$ V, $f_x = 50$ MHz		40	225	mA
$I_{DD}$ Supply current, standby	IDLE instruction, $T_C = 125^\circ\text{C}$ , $V_{DD} = 5.25$ V, $f_x = 50$ MHz			30	mA
	IDLE2 instruction, Clocks shut off, $T_C = 125^\circ\text{C}$ , $V_{DD} = 5.25$ V			7	$\mu$ A
$C_i$ Input capacitance			15	40	pF
$C_o$ Output capacitance			15	40	pF

<sup>§</sup> For conditions shown as MIN/MAX, use the appropriate value specified under recommended operating conditions.

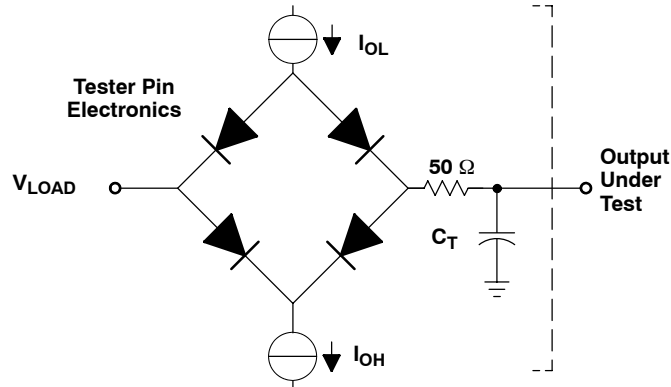
<sup>¶</sup> All typical or nominal values are at  $V_{DD} = 5$  V,  $T_A$  (ambient air temperature) = 25°C.

<sup>#</sup> All input and output voltage levels are TTL-compatible. Figure 1 shows the test load circuit; Figure 2 and Figure 3 show the voltage reference levels.

|| These values are not specified pending detailed characterization.



PARAMETER MEASUREMENT INFORMATION



Where:  $I_{OL}$  = 2.0 mA (all outputs)  
 $I_{OH}$  = 300  $\mu$ A (all outputs)  
 $V_{LOAD}$  = 1.5 V  
 $C_T$  = 80 pF typical load circuit capacitance

Figure 1. Test Load Circuit

signal transition levels

Transistor-to-transistor logic (TTL) output levels are driven to a minimum logic-high level of 2.4 V and to a maximum logic-low level of 0.6 V. Figure 2 shows the TTL-level outputs.

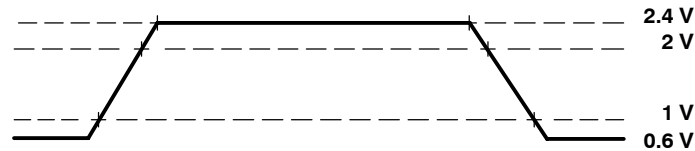


Figure 2. TTL-Level Outputs

TTL-output transition times are specified as follows:

- For a *high-to-low transition*, the level at which the output is said to be no longer high is 2 V, and the level at which the output is said to be low is 1 V.
- For a *low-to-high transition*, the level at which the output is said to be no longer low is 1 V, and the level at which the output is said to be high is 2 V.

Figure 3 shows the TTL-level inputs.

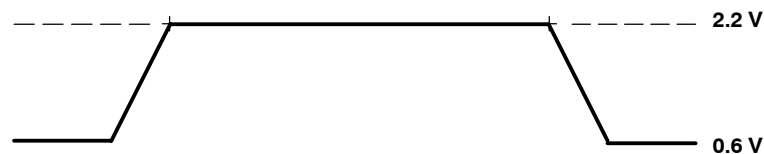


Figure 3. TTL-Level Inputs

TTL-compatible input transition times are specified as follows:

- For a *high-to-low transition* on an input signal, the level at which the input is said to be no longer high is 2 V, and the level at which the input is said to be low is 0.8 V.
- For a *low to high transition* on an input signal, the level at which the input is said to be no longer low is 0.8 V, and the level at which the input is said to be high is 2 V.

**CLOCK CHARACTERISTICS AND TIMING**

The C50 can use either its internal oscillator or an external frequency source for a clock. The clock mode is determined by the CLKMD1 and CLKMD2 pins. Table 2 outlines the selection of the clock mode by these pins.

**Table 2. Clock Mode Selection**

CLKMD1	CLKMD2	CLOCK SOURCE
1	0	External divide-by-one clock option
0	1	Reserved for test purposes
1	1	External divide-by-two option or internal divide-by-two clock option with an external crystal
0	0	External divide-by-two option with the internal oscillator disabled

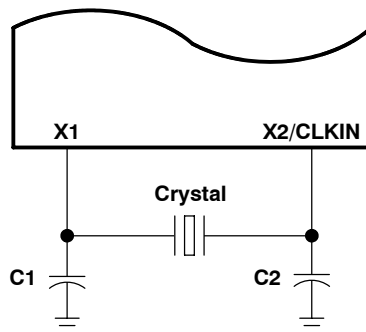
**internal divide-by-two clock option with external crystal**

The internal oscillator is enabled by connecting a crystal across X1 and X2/CLKIN. The frequency of CLKOUT1 is one-half the crystal's oscillating frequency. The crystal should be in either fundamental or overtone operation and parallel resonant, with an effective series resistance of 30 Ω and a power dissipation of 1 mW; it should be specified at a load capacitance of 20 pF. Overtone crystals require an additional tuned LC circuit. Figure 4 shows an external crystal (fundamental frequency) connected to the on-chip oscillator.

**recommended operating conditions for internal divide-by-two clock option**

	'320C50-50			'320C50-66			UNIT
	MIN	NOM	MAX	MIN	NOM	MAX	
$f_x$ Input clock frequency	0 <sup>†</sup>		50	0 <sup>†</sup>		66	MHz
C1, C2 Load capacitance	10			10			pF

<sup>†</sup> This device uses a fully static design and, therefore, can operate with  $t_{c(C1)}$  approaching ∞. The device is characterized at frequencies approaching 0 Hz but is tested at a minimum of 3.3 MHz to meet device test time requirements.



**Figure 4. Internal Clock Option**

### external divide-by-two clock option

An external frequency source can be used by injecting the frequency directly into X2/CLKIN with X1 left unconnected, CLKMD1 set high, and CLKMD2 set high. The external frequency is divided by two to generate the internal machine cycle. The external frequency injected must conform to specifications listed in the timing requirements table.

### switching characteristics over recommended operating conditions [H = 0.5 t<sub>c(CO)</sub>]

PARAMETER	'320C50-50			'320C50-66			UNIT
	MIN	TYP	MAX	MIN	TYP	MAX	
t <sub>c(CO)</sub> Cycle time, CLKOUT1	40	2t <sub>c(CI)</sub>	†	30	2t <sub>c(CI)</sub>	†	ns
t <sub>d(CIH-COH/L)</sub> Delay time, X2/CLKIN high to CLKOUT1 high/low	3	11	20	3	11	20	ns
t <sub>f(CO)</sub> Fall time, CLKOUT1	5			5			ns
t <sub>r(CO)</sub> Rise time, CLKOUT1	5			5			ns
t <sub>w(COL)</sub> Pulse duration, CLKOUT1 low	H - 3	H	H + 2	H - 3	H	H + 2	ns
t <sub>w(COH)</sub> Pulse duration, CLKOUT1 high	H - 3	H	H + 2	H - 3	H	H + 2	ns

† This device uses a fully static design and, therefore, can operate with t<sub>c(CI)</sub> approaching ∞. The device is characterized at frequencies approaching 0 Hz, but is tested at a minimum of 6.7 MHz to meet device test time requirements.

### timing requirements

	'320C50-50		'320C50-66		UNIT
	MIN	MAX	MIN	MAX	
t <sub>c(CI)</sub> Cycle time, X2/CLKIN	20	†	15	†	ns
t <sub>f(CI)</sub> Fall time, X2/CLKIN	5*		5*		ns
t <sub>r(CI)</sub> Rise time, X2/CLKIN	5*		5*		ns
t <sub>w(CIL)</sub> Pulse duration, X2/CLKIN low	8	†	7	†	ns
t <sub>w(CIH)</sub> Pulse duration, X2/CLKIN high	8	†	7	†	ns

† This device uses a fully static design and, therefore, can operate with t<sub>c(CI)</sub> approaching ∞. The device is characterized at frequencies approaching 0 Hz, but is tested at a minimum of 6.7 MHz to meet device test time requirements.

\* This parameter is not production tested.

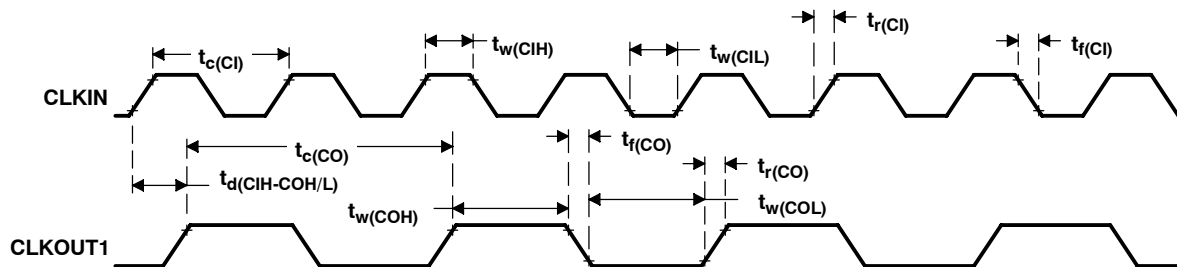


Figure 5. External Divide-by-Two Clock Timing

# SMJ320C50/SMQ320C50 DIGITAL SIGNAL PROCESSOR

SGUS020B - JUNE 1996 - REVISED SEPTEMBER 2001

## external divide-by-one clock option

An external frequency source can be used by injecting the frequency directly into CLKIN2 with X1 left unconnected and X2 connected to V<sub>DD</sub>. This external frequency is divided by one to generate the internal machine cycle. The divide-by-one option is used when CLKMD1 is strapped high and CLKMD2 is strapped low. The external frequency injected must conform to specifications listed in the timing requirements table (see Figure 6 for more details).

## switching characteristics over recommended operating conditions [H = 0.5 t<sub>c(CO)</sub>]

PARAMETER	'320C50-50			'320C50-66			UNIT
	MIN	TYP	MAX	MIN	TYP	MAX	
t <sub>c(CO)</sub> Cycle time, CLKOUT1	40	t <sub>c(CI)</sub>	75*	30	t <sub>c(CI)</sub>	75*	ns
t <sub>d(C2H-COH)</sub> Delay time, CLKIN2 high to CLKOUT1 high	2	9	16	2	9	16	ns
t <sub>f(CO)</sub> Fall time, CLKOUT1	5			5			ns
t <sub>r(CO)</sub> Rise time, CLKOUT1	5			5			ns
t <sub>w(COL)</sub> Pulse duration, CLKOUT1 low	H - 3*	H	H + 2*	H - 3*	H	H + 2*	ns
t <sub>w(COH)</sub> Pulse duration, CLKOUT1 high	H - 3*	H	H + 2*	H - 3*	H	H + 2*	ns
t <sub>d(TP)</sub> Delay time, transitory phase-PLL synchronized after CLKIN2 supplied	1000t <sub>c(C2)</sub> *			1000t <sub>c(C2)</sub> *			ns

\* This parameter is not production tested.

## timing requirements over recommended ranges of supply voltage and operating case temperature

	'320C50-50		'320C50-66		UNIT
	MIN	MAX	MIN	MAX	
t <sub>c(C2)</sub> Cycle time, CLKIN2	40	75†	30	75†	ns
t <sub>f(C2)</sub> Fall time, CLKIN2	5*		5*		ns
t <sub>r(C2)</sub> Rise time, CLKIN2	5*		5*		ns
t <sub>w(C2L)</sub> Pulse duration, CLKIN2 low	11	t <sub>c(C2)</sub> -11	9	t <sub>c(C2)</sub> -9	ns
t <sub>w(C2H)</sub> Pulse duration, CLKIN2 high	11	t <sub>c(C2)</sub> -11	9	t <sub>c(C2)</sub> -9	ns

\* This parameter is not production tested.

† Clocks can be stopped only while the device executes IDLE2 when using the external divide-by-one clock option. Note that tp (the transitory phase) occurs when restarting clock from IDLE2 in this mode.

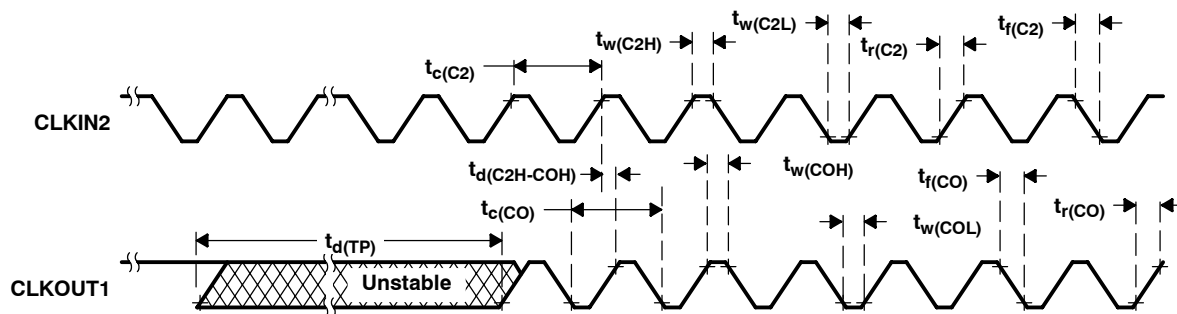


Figure 6. External Divide-by-One Clock Timing

## MEMORY AND PARALLEL I/O INTERFACE READ

Memory and parallel I/O interface read timings are illustrated in Figure 7.

### switching characteristics over recommended operating conditions [ $H = 0.5t_{c(CO)}$ ]

PARAMETER		MIN	MAX	UNIT
$t_{su(AV-RDL)}$	Setup time, address valid before $\overline{RD}$ low	H-10 <sup>†‡</sup>		ns
$t_{h(RDH-AV)}$	Hold time, address valid after $\overline{RD}$ high	0 <sup>†‡</sup>		ns
$t_w(RDL)$	Pulse duration, $\overline{RD}$ low	H-2 <sup>§*</sup>		ns
$t_w(RDH)$	Pulse duration, $\overline{RD}$ high	H-2 <sup>§*</sup>		ns
$t_d(RDH-WEL)$	Delay time, $\overline{RD}$ high to $\overline{WE}$ low	2H-5		ns

<sup>†</sup> A15-A0,  $\overline{PS}$ ,  $\overline{DS}$ ,  $\overline{TS}$ , R/W, and  $\overline{BR}$  timings are all included in timings referenced as address.

<sup>‡</sup> See Figure 8 for address-bus timing variation with load capacitance.

<sup>§</sup>  $\overline{STRB}$  and  $\overline{RD}$  timing is -3/+5 ns from CLKOUT1 timing on read cycles, following the first cycle after reset, which is always a seven wait-state cycle.

\* This parameter is not production tested.

### timing requirements

		MIN	MAX	UNIT
$t_a(RDAV)$	Access time, read data valid from address valid		2H-15 <sup>‡</sup>	ns
$t_a(RDL-RD)$	Access time, read data valid after $\overline{RD}$ low		H-10	ns
$t_{su(RD-RDH)}$	Setup time, read data valid before $\overline{RD}$ high	10		ns
$t_h(RDH-RD)$	Hold time, read data valid after $\overline{RD}$ high	0		ns

<sup>‡</sup> See Figure 8 for address-bus timing variation with load capacitance.

# SMJ320C50/SMQ320C50 DIGITAL SIGNAL PROCESSOR

SGUS020B - JUNE 1996 - REVISED SEPTEMBER 2001

## MEMORY AND PARALLEL I/O INTERFACE WRITE

Memory and parallel I/O interface read timings are illustrated in Figure 7.

### switching characteristics over recommended operating conditions [H = 0.5t<sub>c(CO)</sub>]

PARAMETER	MIN	MAX	UNIT
t <sub>su(AV-WEL)</sub>	H - 5 <sup>†‡</sup>		ns
t <sub>h(WEH-AV)</sub>	H - 10 <sup>†‡</sup>		ns
t <sub>w(WEL)</sub>	2H - 4 <sup>§*</sup>	2H + 2 <sup>§*</sup>	ns
t <sub>w(WEH)</sub>	2H - 2 <sup>§</sup>		ns
t <sub>d(WEH-RDL)</sub>	3H - 10		ns
t <sub>su(WDV-WEH)</sub>	2H - 20 <sup>§*</sup>	2H <sup>§1*</sup>	ns
t <sub>h(WEH-WDV)</sub>	H - 5 <sup>§*</sup>	H + 10 <sup>§*</sup>	ns
t <sub>en(WE-BUd)</sub>	-5*		ns

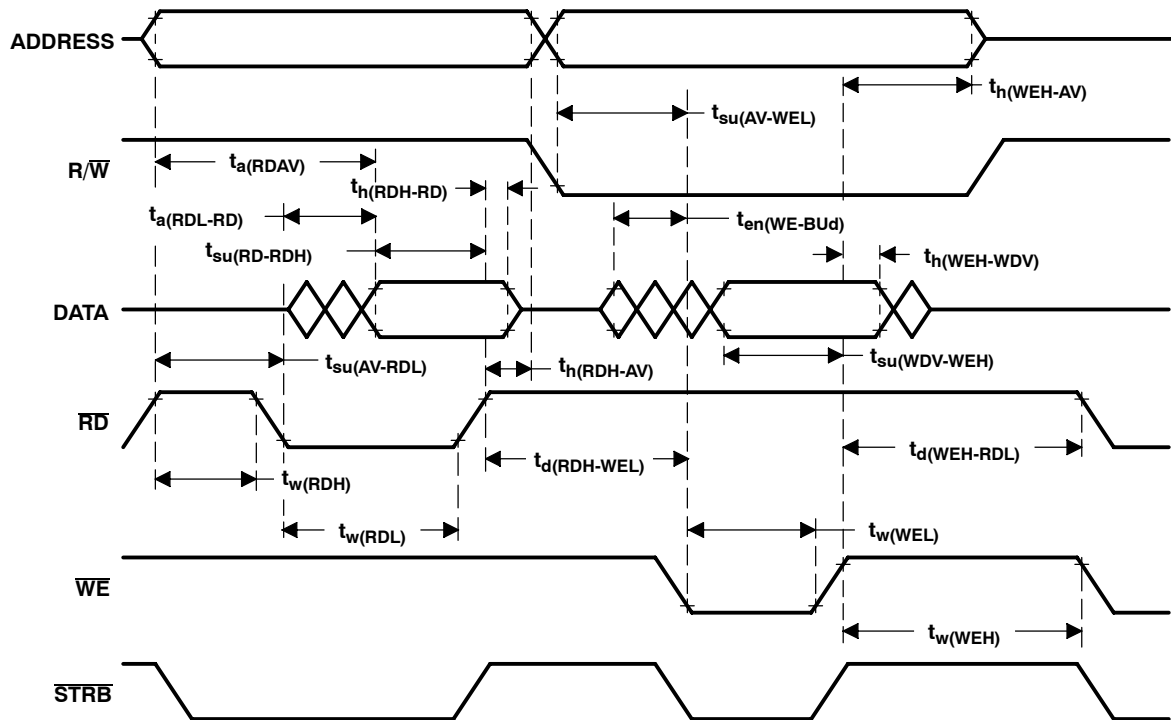
<sup>†</sup> A15-A0, PS, DS, IS, R/W, and BR timings are all included in timings referenced as address.

<sup>‡</sup> See Figure 8 for address bus timing variation with load capacitance.

<sup>§</sup> STRB and WE edges are 0-4 ns from CLKOUT1 edges on writes. Rising and falling edges of these signals track each other; tolerance of resulting pulse durations is ± 2 ns, not ± 4 ns.

<sup>1</sup> This value holds true for zero or one wait state only.

\* This parameter is not production tested.



NOTE A: All timings are for 0 wait states. However, external writes always require two cycles to prevent external bus conflicts. The above diagram illustrates a one-cycle read and a two-cycle write and is not drawn to scale. All external writes immediately preceded by an external read or immediately followed by an external read require three machine cycles.

Figure 7. Memory and Parallel I/O Interface Read and Write Timing





MEMORY AND PARALLEL I/O INTERFACE WRITE (CONTINUED)

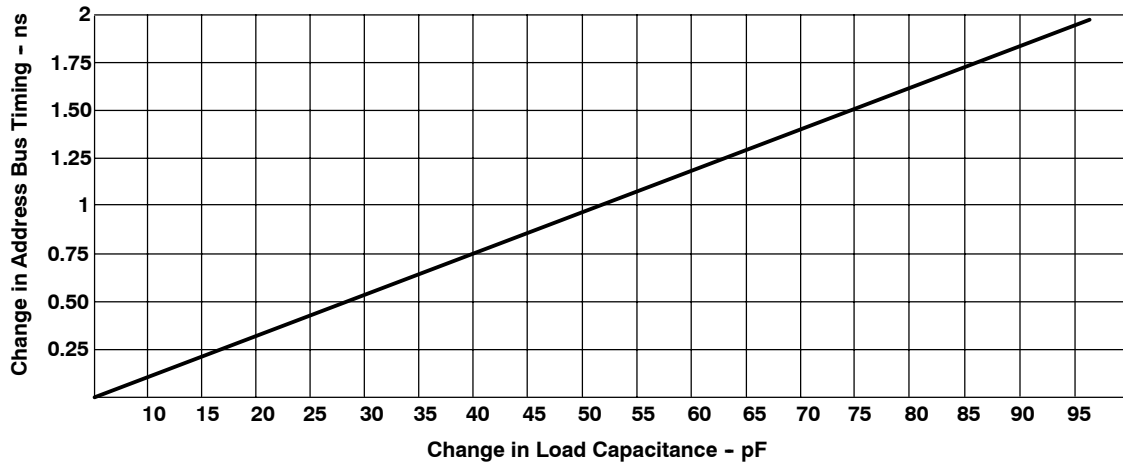


Figure 8. Address Bus Timing Variation With Load Capacitance

READY TIMING FOR EXTERNALLY GENERATED WAIT STATES

timing requirements

		MIN	MAX	UNIT
$t_{su}(RY-COH)$	Setup time, READY before CLKOUT1 rises	10		ns
$t_h(CO-RYH)$	Hold time, READY after CLKOUT1 rises	0		ns
$t_{su}(RY-RDL)$	Setup time, READY before $\overline{RD}$ falls	10		ns
$t_h(RDL-RY)$	Hold time, READY after $\overline{RD}$ falls	0		ns
$t_v(WEL-RY)$	Valid time, READY after $\overline{WE}$ falls	H - 15		ns
$t_h(WEL-RY)$	Hold time, READY after $\overline{WE}$ falls	H + 5		ns

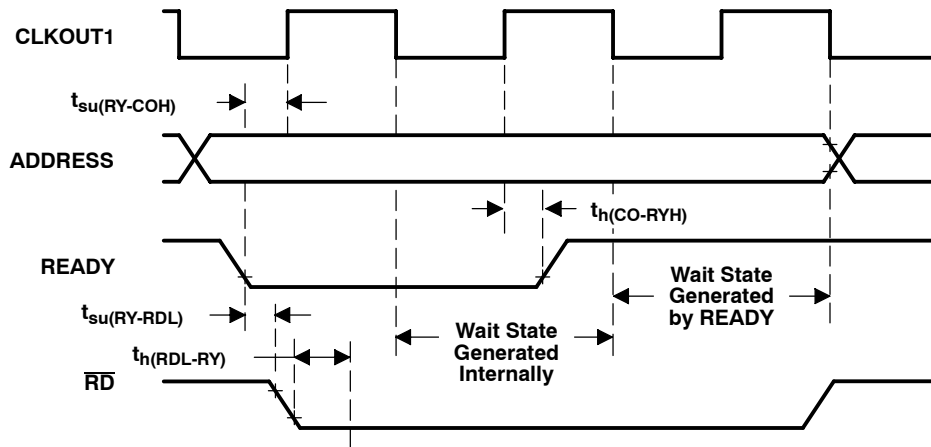


Figure 9. Ready Timing for Externally Generated Wait States During an External Read Cycle

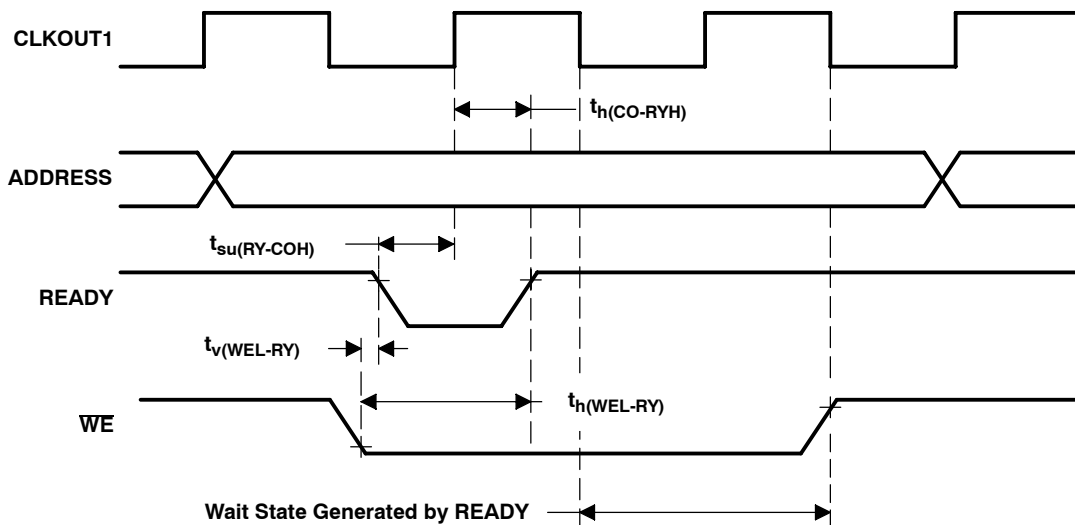


Figure 10. Ready Timing for Externally Generated Wait States During an External Write Cycle

# SMJ320C50/SMQ320C50 DIGITAL SIGNAL PROCESSOR

SGUS020B - JUNE 1996 - REVISED SEPTEMBER 2001

## RESET, INTERRUPT, AND $\overline{\text{BIO}}$

### timing requirements

		MIN	MAX	UNIT
$t_{su(IN-COL)}$	Setup time, $\overline{\text{INT1}}-\overline{\text{INT4}}$ , $\overline{\text{NMI}}$ , before CLKOUT1 low †	15		ns
$t_h(COL-IN)$	Hold time, $\overline{\text{INT1}}-\overline{\text{INT4}}$ , $\overline{\text{NMI}}$ , after CLKOUT1 low †	0		ns
$t_w(INL)SYN$	Pulse duration, $\overline{\text{INT1}}-\overline{\text{INT4}}$ , $\overline{\text{NMI}}$ low, synchronous	4H+15‡		ns
$t_w(INH)SYN$	Pulse duration, $\overline{\text{INT1}}-\overline{\text{INT4}}$ , $\overline{\text{NMI}}$ high, synchronous	2H+15‡*		ns
$t_w(INL)ASY$	Pulse duration, $\overline{\text{INT1}}-\overline{\text{INT4}}$ , $\overline{\text{NMI}}$ low, asynchronous	6H+15‡*		ns
$t_w(INH)ASY$	Pulse duration, $\overline{\text{INT1}}-\overline{\text{INT4}}$ , $\overline{\text{NMI}}$ high, asynchronous	4H+15‡*		ns
$t_{su(RS-X2L)}$	Setup time, $\overline{\text{RS}}$ before X2/CLKIN low	10		ns
$t_w(RSL)$	Pulse duration, $\overline{\text{RS}}$ low	12H		ns
$t_d(RSH)$	Delay time, $\overline{\text{RS}}$ high to reset vector fetch	34H		ns
$t_w(BIL)SYN$	Pulse duration, $\overline{\text{BIO}}$ low, synchronous	15		ns
$t_w(BIL)ASY$	Pulse duration, $\overline{\text{BIO}}$ low, asynchronous	H+15*		ns
$t_{su(BI-COL)}$	Setup time, $\overline{\text{BIO}}$ before CLKOUT1 low	15		ns
$t_h(COL-BI)$	Hold time, $\overline{\text{BIO}}$ after CLKOUT1 low	0		ns

† These parameters must be met to use the synchronous timings. Both reset and the interrupts can operate asynchronously. The pulse durations require an extra half-cycle to assure internal synchronization.

‡ If in IDLE2, add 4H to these timings.

\*This parameter is not production tested.

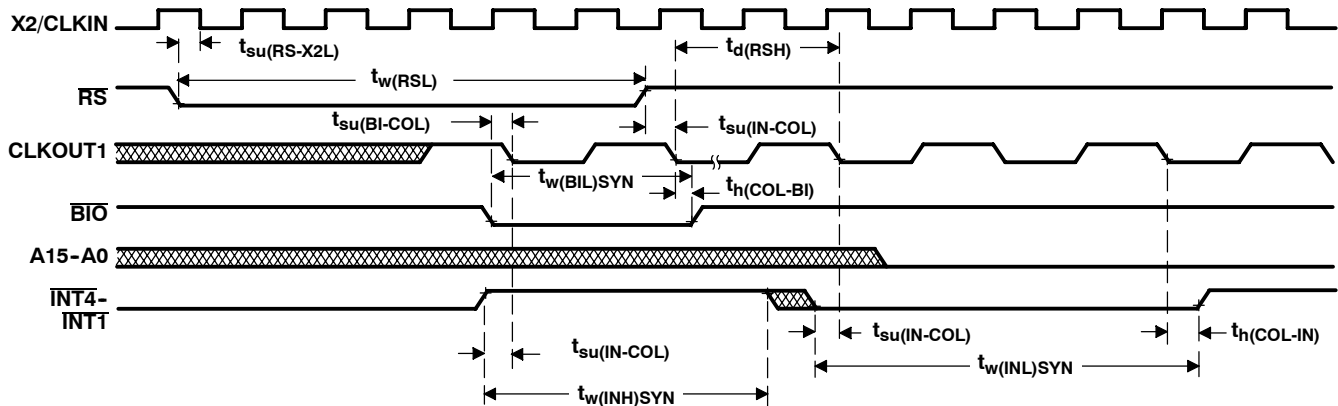


Figure 11. Reset, Interrupt, and  $\overline{\text{BIO}}$  Timings

INSTRUCTION ACQUISITION ( $\overline{IAQ}$ ), INTERRUPT ACKNOWLEDGE ( $\overline{IACK}$ ),  
EXTERNAL FLAG (XF), AND TOUT

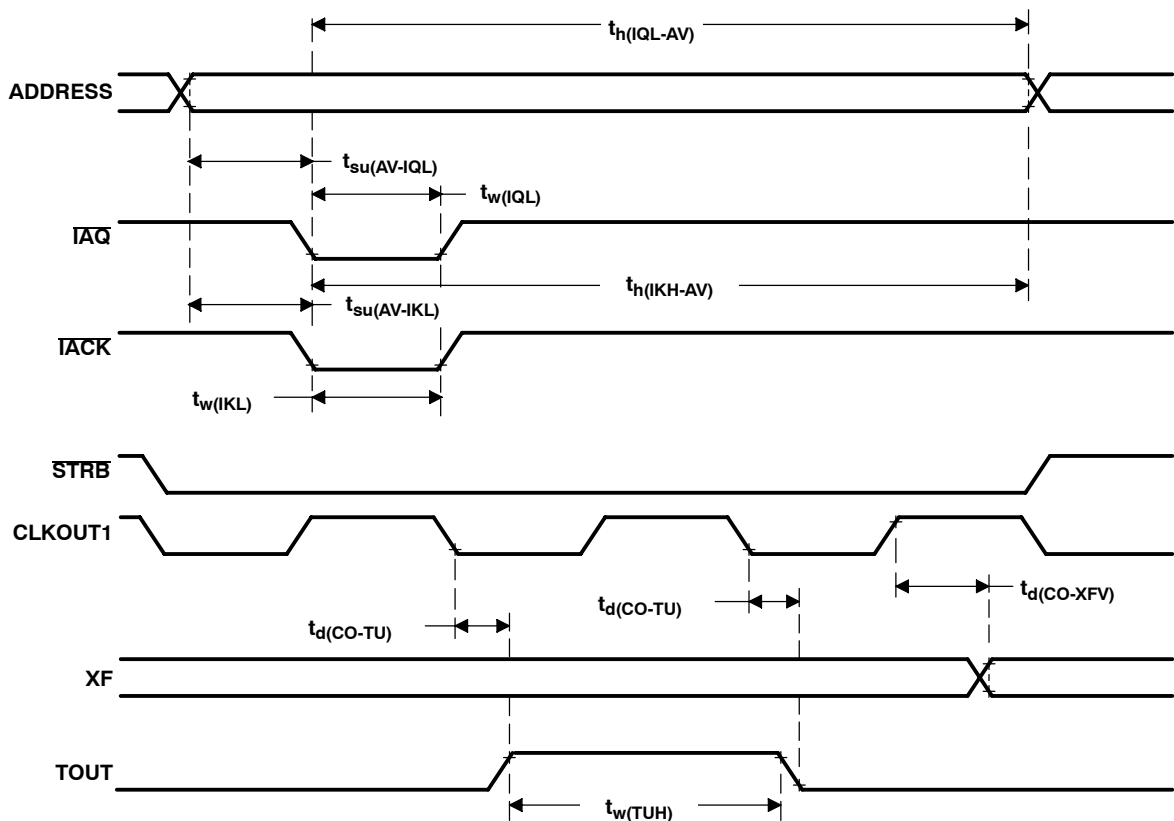
switching characteristics over recommended operating conditions [ $H = 0.5t_{c(CO)}$ ]

PARAMETER		MIN	MAX	UNIT
$t_{su(AV-IQL)}$	Setup time, address valid before $\overline{IAQ}$ low <sup>†</sup>	H-12 <sup>‡</sup>		ns
$t_{h(IQL-AV)}$	Hold time, address valid after $\overline{IAQ}$ low	H-10 <sup>‡</sup>		ns
$t_w(IQL)$	Pulse duration, $\overline{IAQ}$ low	H-10 <sup>‡</sup>		ns
$t_d(CO-TU)$	Delay time, CLKOUT1 falling to TOUT	-6	6	ns
$t_{su(AV-IKL)}$	Setup time, address valid before $\overline{IACK}$ low <sup>§</sup>	H-12 <sup>‡</sup>		ns
$t_{h(IKH-AV)}$	Hold time, address valid after $\overline{IACK}$ high <sup>§</sup>	H-10 <sup>‡</sup>		ns
$t_w(IKL)$	Pulse duration, $\overline{IACK}$ low	H-10 <sup>‡</sup>		ns
$t_w(TUH)$	Pulse duration, TOUT high	2H-12		ns
$t_d(CO-XFV)$	Delay time, XF valid after CLKOUT1	0	12	ns

<sup>†</sup>  $\overline{IAQ}$  goes low during an instruction acquisition. It goes low only on the first cycle of the read when wait states are used. The falling edge should be used to latch the valid address. The AVIS bit in the PMST register must be set to zero for the address to be valid when the instruction being addressed resides in on-chip memory.

<sup>‡</sup> Valid only if the external address reflects the current instruction activity (that is, code is executing on chip with no external bus cycles and AVIS is on, or code is executing off-chip)

<sup>§</sup>  $\overline{IACK}$  goes low during the fetch of the first word of the interrupt vector. It goes low only on the first cycle of the read when wait states are used. Address pins A1 - A4 can be decoded at the falling edge to identify the interrupt being acknowledged. The AVIS bit in the PMST register must be set to zero for the address to be valid when the vectors reside in on-chip memory.



NOTE:  $\overline{IAQ}$  and  $\overline{IACK}$  are not affected by wait states.

Figure 12.  $\overline{IAQ}$ ,  $\overline{IACK}$ , and XF Timings Example With Two External Wait States

# SMJ320C50/SMQ320C50 DIGITAL SIGNAL PROCESSOR

SGUS020B - JUNE 1996 - REVISED SEPTEMBER 2001

## EXTERNAL DMA TIMING

switching characteristics over recommended operating conditions [ $H = 0.5t_{c(CO)}$ ] (see Note 3)

PARAMETER		MIN	MAX	UNIT
$t_d(\text{HOL-HAL})$	Delay time, $\overline{\text{HOLD}}$ low to $\overline{\text{HOLDA}}$ low	4H	†	ns
$t_d(\text{HOH-HAH})$	Delay time, $\overline{\text{HOLD}}$ high before $\overline{\text{HOLDA}}$ high	2H		ns
$t_{\text{dis}}(\text{AZ-HAL})$	Disable time, address in the high-impedance state before $\overline{\text{HOLDA}}$ low	H-15*		ns
$t_{\text{en}}(\text{HAH-Ad})$	Enable time, $\overline{\text{HOLDA}}$ high to address driven	H-5*		ns
$t_d(\text{XBL-IQL})$	Delay time, $\overline{\text{XBR}}$ low to $\overline{\text{IAQ}}$ low	4H*	6H*	ns
$t_d(\text{XBH-IQH})$	Delay time, $\overline{\text{XBR}}$ high to $\overline{\text{IAQ}}$ high	2H*	4H*	ns
$t_d(\text{XSL-RDV})$	Delay time, read data valid after $\overline{\text{XSTRB}}$ low		40	ns
$t_h(\text{XSH-RD})$	Hold time, read data after $\overline{\text{XSTRB}}$ high	0		ns
$t_{\text{en}}(\text{IQL-RDd})$	Enable time, $\overline{\text{IAQ}}$ low to read data driven	0*§	2H*	ns
$t_{\text{dis}}(\text{W})$	Disable time, $\overline{\text{XR/W}}$ low to data in the high-impedance state	0*	15*	ns
$t_{\text{dis}}(\text{I-D})$	Disable time, $\overline{\text{IAQ}}$ high to data in the high-impedance state		H*	ns
$t_{\text{en}}(\text{D-XRH})$	Enable time, data from $\overline{\text{XR/W}}$ going high		4*	ns

†  $\overline{\text{HOLD}}$  is not acknowledged until current external access request is complete.

‡ This parameter includes all memory control lines.

§ This parameter refers to the delay between the time the condition ( $\overline{\text{IAQ}} = 0$  and  $\overline{\text{XR/W}} = 1$ ) is satisfied and the time that the SMJ320C50x data lines become valid.

\* This parameter is not production tested.

NOTE 3: X preceding a name refers to the external drive of the signal.

## timing requirements

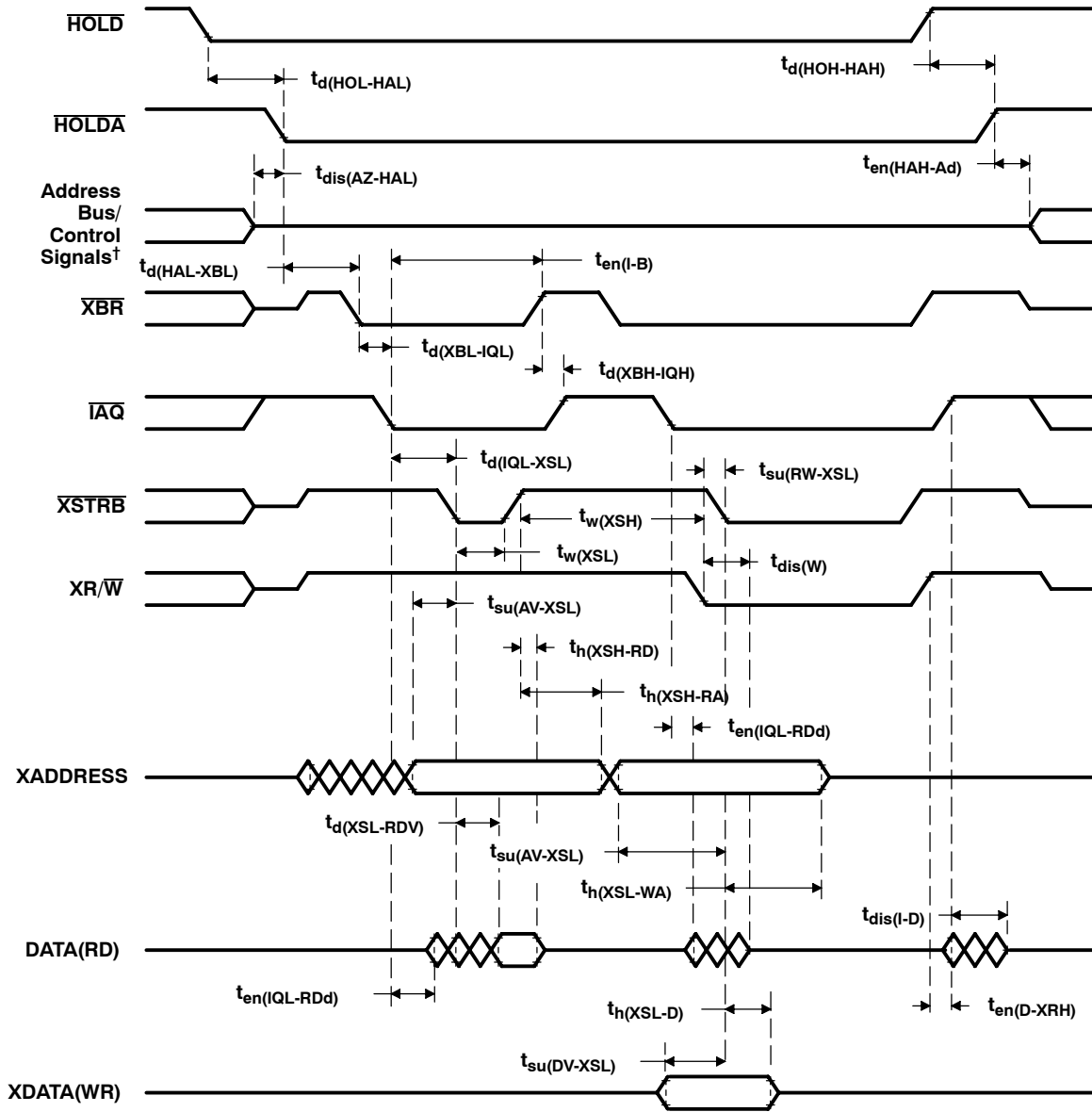
		MIN	MAX	UNIT
$t_d(\text{HAL-XBL})$	Delay time, $\overline{\text{HOLDA}}$ low to $\overline{\text{XBR}}$ low	0 <sup>¶</sup>		ns
$t_d(\text{IQL-XSL})$	Delay time, $\overline{\text{IAQ}}$ low to $\overline{\text{XSTRB}}$ low	0 <sup>¶</sup>		ns
$t_{\text{su}}(\text{AV-XSL})$	Setup time, Xaddress valid before $\overline{\text{XSTRB}}$ low	15		ns
$t_{\text{su}}(\text{DV-XSL})$	Setup time, Xdata valid before $\overline{\text{XSTRB}}$ low	15		ns
$t_h(\text{XSL-D})$	Hold time, Xdata hold after $\overline{\text{XSTRB}}$ low	15		ns
$t_h(\text{XSL-WA})$	Hold time, write Xaddress hold after $\overline{\text{XSTRB}}$ low	15		ns
$t_w(\text{XSL})$	Pulse duration, $\overline{\text{XSTRB}}$ low	45		ns
$t_w(\text{XSH})$	Pulse duration, $\overline{\text{XSTRB}}$ high	45		ns
$t_{\text{su}}(\text{RW-XSL})$	Setup time, $\overline{\text{R/W}}$ valid before $\overline{\text{XSTRB}}$ low	20		ns
$t_h(\text{XSH-RA})$	Hold time, read Xaddress after $\overline{\text{XSTRB}}$ high	0		ns

¶  $\overline{\text{XBR}}$ ,  $\overline{\text{XR/W}}$ , and  $\overline{\text{XSTRB}}$  lines should be pulled up with a 10-kΩ resistor to assure that they are in an inactive (high) state during the transition period between the SMJ320C50x driving them and the external circuit driving them.

NOTE 3: X preceding a name refers to the external drive of the signal.



EXTERNAL DMA TIMING (CONTINUED)



† A15-A0, PS, DS, IS, R/W, and BR timings are all included in timings referenced as address bus/control signals.

Figure 13. External DMA Timing

# SMJ320C50/SMQ320C50 DIGITAL SIGNAL PROCESSOR

SGUS020B - JUNE 1996 - REVISED SEPTEMBER 2001

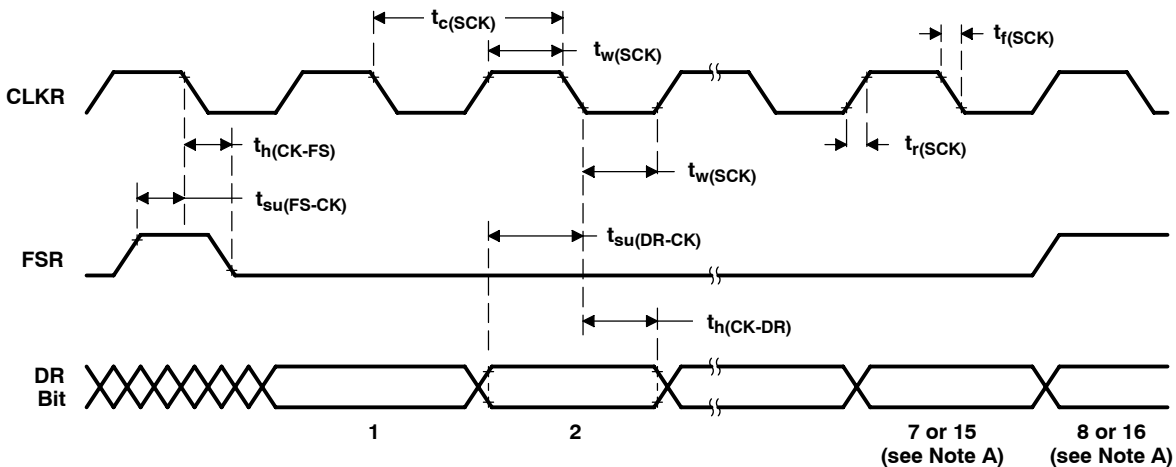
## SERIAL-PORT RECEIVE

### timing requirements

		MIN	MAX	UNIT
$t_{c(SCK)}$	Cycle time, serial-port clock	5.2H	†	ns
$t_{f(SCK)}$	Fall time, serial-port clock		8*	ns
$t_{r(SCK)}$	Rise time, serial-port clock		8*	ns
$t_{w(SCK)}$	Pulse duration, serial-port clock low/high	2.1H		ns
$t_{su(FS-CK)}$	Setup time, FSR before CLKR falling edge	10		ns
$t_{h(CK-FS)}$	Hold time, FSR after CLKR falling edge	10		ns
$t_{su(DR-CK)}$	Setup time, DR before CLKR falling edge	10		ns
$t_{h(CK-DR)}$	Hold time, DR after CLKR falling edge	10		ns

† The serial-port design is fully static and, therefore, can operate with  $t_{c(SCK)}$  approaching  $\infty$ . It is characterized approaching an input frequency of 0 Hz but tested at a much higher frequency to minimize test time.

\* This parameter is not production tested.



NOTE A: Depending on whether information is sent in an 8-bit or 16-bit packet.

Figure 14. Serial-Port Receive Timing

SERIAL-PORT TRANSMIT, EXTERNAL CLOCKS AND EXTERNAL FRAMES

switching characteristics over recommended operating conditions (see Note 4)

PARAMETER		MIN	MAX	UNIT
$t_{d(CXH-DXV)}$	Delay time, DX valid after CLKX high		25	ns
$t_{dis(CXH-DX)}$	Disable time, DX valid after CLKX high		40*	ns
$t_{h(CXH-DXV)}$	Hold time, DX valid after CLKX high	-5		ns

\* This parameter is not production tested.

timing requirements

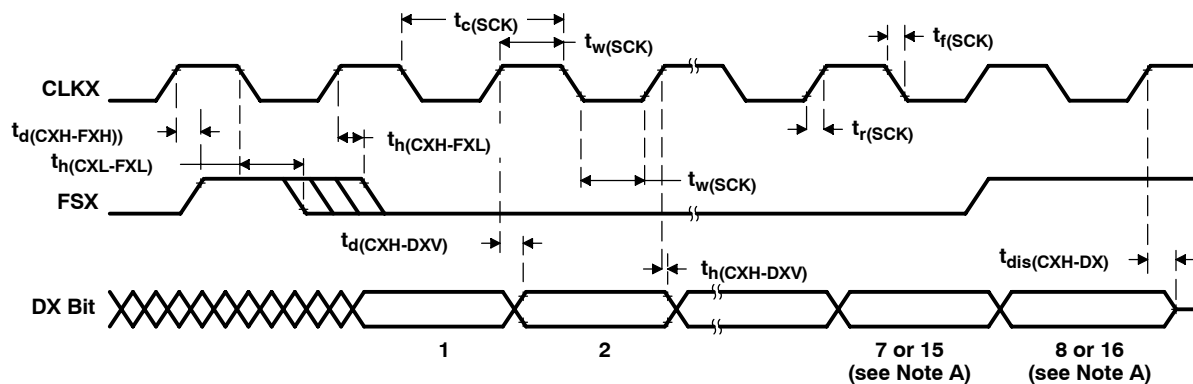
		MIN	MAX	UNIT
$t_{c(SCK)}$	Cycle time, serial-port clock	5.2H	†	ns
$t_{f(SCK)}$	Fall time, serial-port clock		8*	ns
$t_{r(SCK)}$	Rise time, serial-port clock		8*	ns
$t_w(SCK)$	Pulse duration, serial-port clock low/high	2.1H		ns
$t_{d(CXH-FXH)}$	Delay time, FSX after CLKX high edge		2H-8	ns
$t_{h(CXL-FXL)}$	Hold time, FSX after CLKX falling edge	10		ns
$t_{h(CXH-FXL)}$	Hold time, FSX after CLKX high edge		2H-8†*	ns

† The serial-port design is fully static and therefore can operate with  $t_{c(SCK)}$  approaching  $\infty$ . It is characterized approaching an input frequency of 0 Hz but tested at a much higher frequency to minimize test time.

‡ If the FSX pulse does not meet this specification, the first bit of serial data is driven on the DX pin until the falling edge of FSX. After the falling edge of FSX, data is shifted out on the DX pin. The transmit-buffer-empty interrupt is generated when the  $t_{h(FS)}$  and  $t_{h(FS)H}$  specification is met.

NOTE 4: Internal clock with external FSX and vice versa are also allowable. However, FSX timings to CLKX are always defined depending on the source of FSX, and CLKX timings are always dependent upon the source of CLKX. Specifically, the relationship of FSX to CLKX is independent of the source of CLKX.

\* This parameter is not production tested.



NOTE A: Depending on whether information is sent in an 8-bit or 16-bit packet

Figure 15. Serial-Port Transmit Timing of External Clocks and External Frames



# SMJ320C50/SMQ320C50 DIGITAL SIGNAL PROCESSOR

SGUS020B - JUNE 1996 - REVISED SEPTEMBER 2001

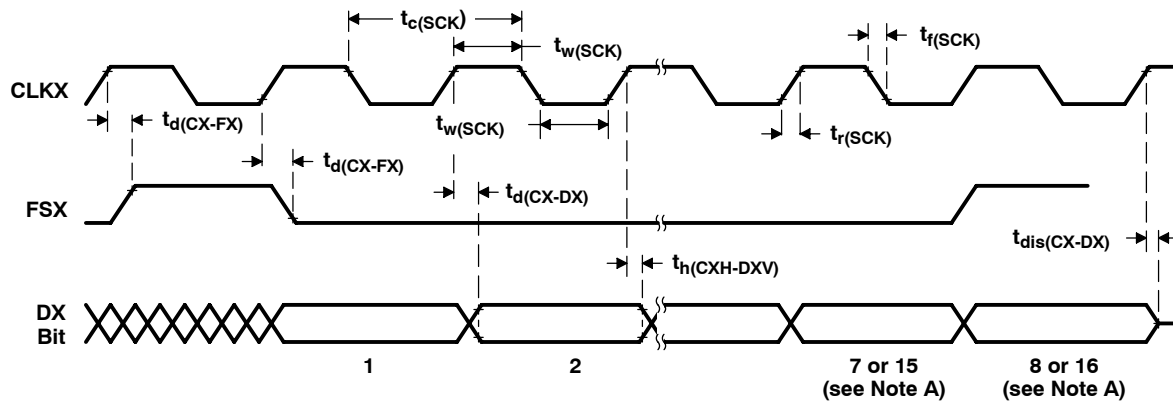
## SERIAL-PORT TRANSMIT, INTERNAL CLOCKS AND INTERNAL FRAMES

switching characteristics over recommended operating conditions [ $H = 0.5t_{c(CO)}$ ] (see Note 4)

PARAMETER		MIN	TYP	MAX	UNIT
$t_d(CX-FX)$	Delay time, CLKX rising to FSX			25	ns
$t_d(CX-DX)$	Delay time, CLKX rising to DX			25	ns
$t_{dis}(CX-DX)$	Disable time, CLKX rising to DX			40*	ns
$t_c(SCK)$	Cycle time, serial-port clock		8H		ns
$t_f(SCK)$	Fall time, serial-port clock		5		ns
$t_r(SCK)$	Rise time, serial-port clock		5		ns
$t_w(SCK)$	Pulse duration, serial-port clock low/high	4H - 20			ns
$t_h(CXH-DXV)$	Hold time, DX valid after CLKX high	- 6			ns

\* This parameter is not production tested.

NOTE 4: Internal clock with external FSX and vice versa are also allowable. However, FSX timings to CLKX are always defined depending on the source of FSX, and CLKX timings are always dependent upon the source of CLKX. Specifically, the relationship of FSX to CLKX is independent of the source of CLKX.



NOTE A: Depending on whether information is sent in an 8-bit or 16-bit packet

Figure 16. Serial-Port Transmit Timing of Internal Clocks and Internal Frames

SERIAL-PORT RECEIVE TIMING IN TDM MODE

timing requirements

		MIN	MAX	UNIT
$t_{c(SCK)}$	Cycle time, serial-port clock	5.2H	†	ns
$t_f(SCK)$	Fall time, serial-port clock		8*	ns
$t_r(SCK)$	Rise time, serial-port clock		8*	ns
$t_w(SCK)$	Pulse duration, serial-port clock low/high	2.1H		ns
$t_{su(TD-TCH)}$	Setup time, TDAT/TADD before TCLK rising	30		ns
$t_h(TCH-TD)$	Hold time, TDAT/TADD after TCLK rising	-3		ns
$t_{su(TA-TCH)}$	Setup time, TDAT/TADD before TCLK rising†	20		ns
$t_h(TCH-TA)$	Hold time, TDAT/TADD after TCLK rising†	-3		ns
$t_{su(TF-TCH)}$	Setup time, TRFM before TCLK rising edge§	10		ns
$t_h(TCH-TF)$	Hold time, TRFM after TCLK rising edge§	10		ns

† The serial-port design is fully static and therefore can operate with  $t_{c(SCK)}$  approaching  $\infty$ . It is characterized approaching an input frequency of 0 Hz but tested at a much higher frequency to minimize test time.

‡ These parameters apply only to the first bits in the serial bit string.

§ TFRM timing and waveforms shown in Figure 17 are for external TFRM. TFRM also can be configured as internal. The TFRM internal case is illustrated in the transmit timing diagram in Figure 18.

\* This parameter is not production tested.

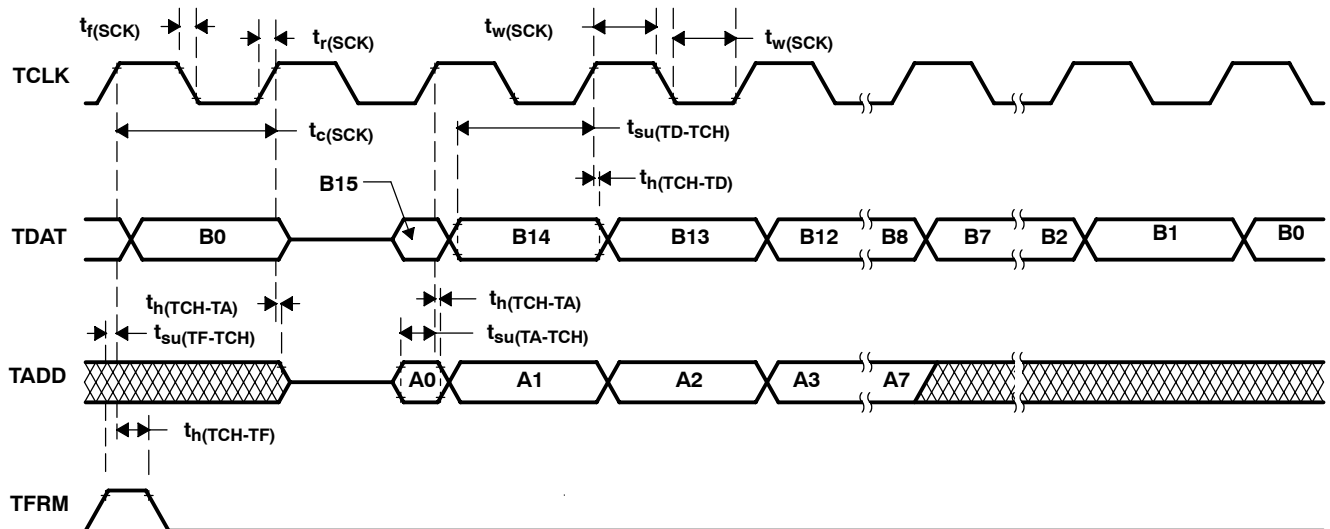


Figure 17. Serial-Port Receive Timing in TDM Mode

# SMJ320C50/SMQ320C50 DIGITAL SIGNAL PROCESSOR

SGUS020B - JUNE 1996 - REVISED SEPTEMBER 2001

## SERIAL-PORT TRANSMIT TIMING IN TDM MODE

switching characteristics over recommended operating conditions [ $H = 0.5t_{c(CO)}$ ]

PARAMETER		MIN	MAX	UNIT
$t_h(TCH-TDV)$	Hold time, TDAT/TADD valid after TCLK rising	0		ns
$t_d(TCH-TFV)$	Delay time, TFRM valid after TCLK rising <sup>†</sup>	H	3H+10	ns
$t_d(TC-TDV)$	Delay time, TCLK to valid TDAT/TADD		20	ns

<sup>†</sup> TFRM timing and waveforms shown in Figure 18 are for internal TFRM. TFRM can also be configured as external, and the TFRM external case is illustrated in the receive timing diagram in Figure 17.

### timing requirements

		MIN	TYP	MAX	UNIT
$t_c(SCK)$	Cycle time, serial-port clock	5.2H	8H <sup>‡</sup>	<sup>§</sup>	ns
$t_f(SCK)$	Fall time, serial-port clock			8*	ns
$t_r(SCK)$	Rise time, serial-port clock			8*	ns
$t_w(SCK)$	Pulse duration, serial-port clock low/high	2.1H			ns

<sup>‡</sup> When SCK is generated internally.

<sup>§</sup> The serial-port design is fully static and therefore can operate with  $t_c(SCK)$  approaching  $\infty$ . It is characterized approaching an input frequency of 0 Hz but tested at a much higher frequency to minimize test time.

\* This parameter is not production tested.

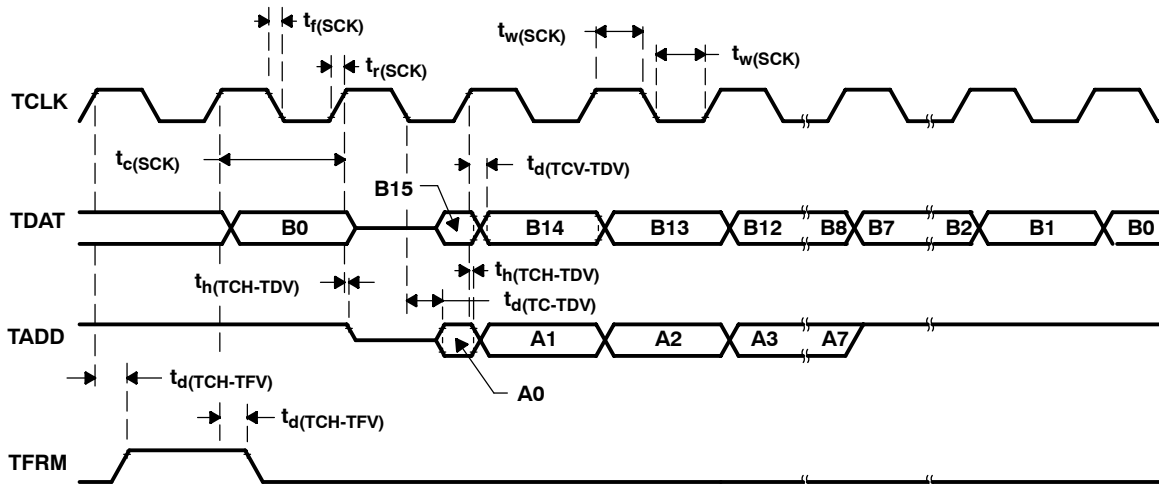
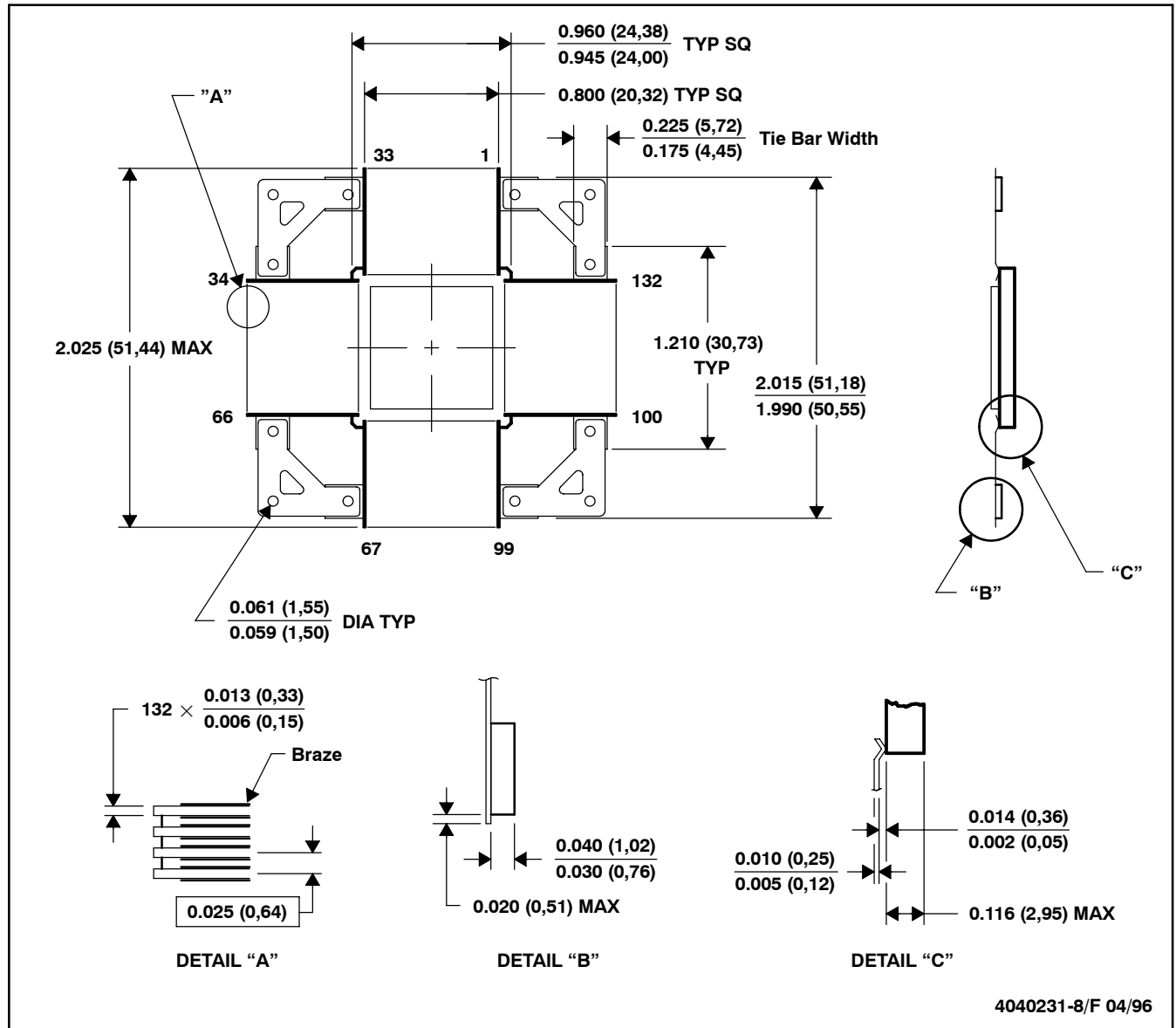


Figure 18. Serial-Port Transmit Timing in TDM Mode

MECHANICAL DATA

HFG (S-CQFP-F132)

CERAMIC QUAD FLATPACK WITH TIE-BAR



- NOTES: B. All linear dimensions are in inches (millimeters)..  
 C. This drawing is subject to change without notice.  
 D. Ceramic quad flatpack with flat leads brazed to non-conductive tie bar carrier.  
 E. This package can be hermetically sealed with a metal lid.  
 F. The terminals will be gold plated.

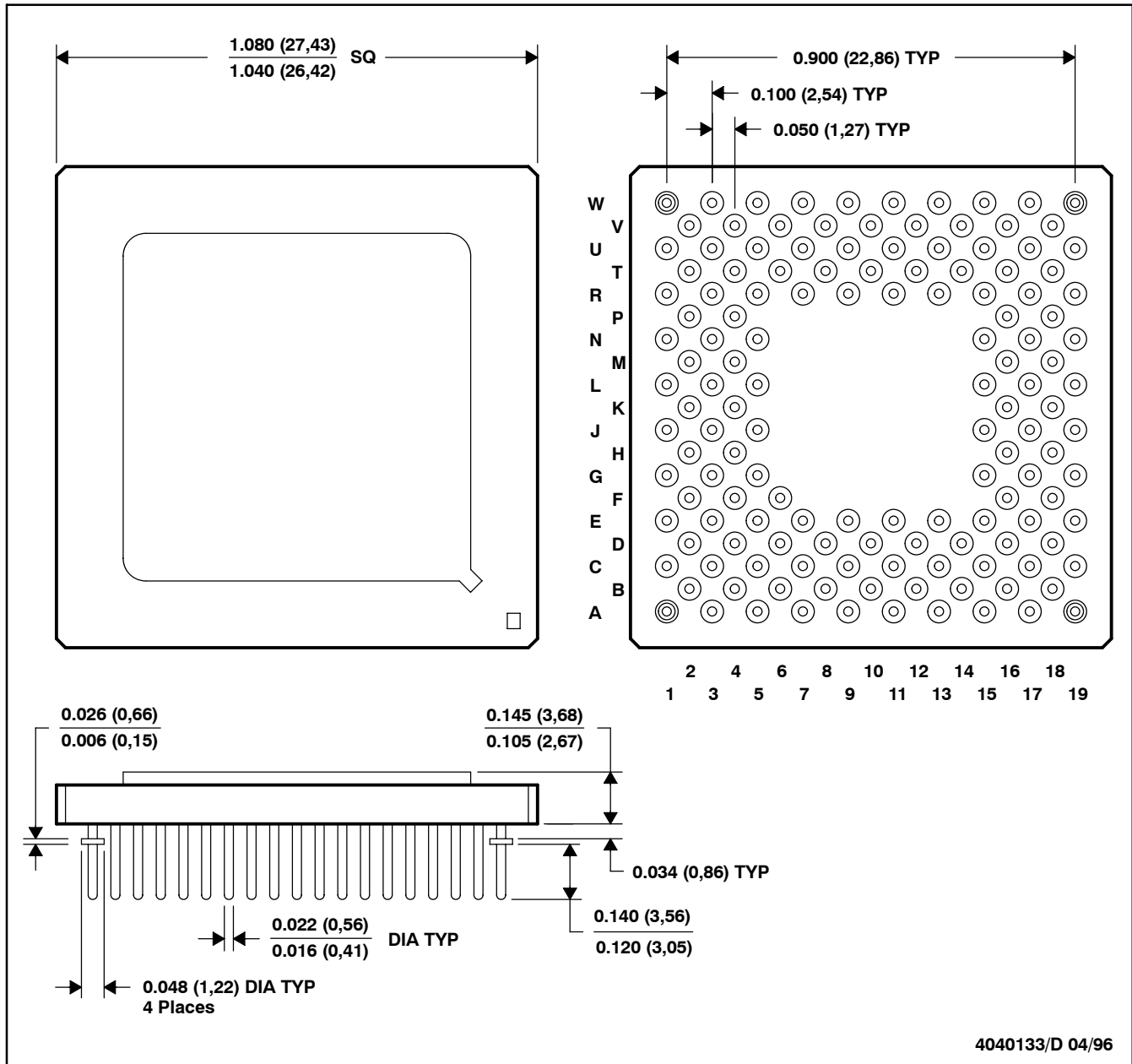
# SMJ320C50/SMQ320C50 DIGITAL SIGNAL PROCESSOR

SGUS020B - JUNE 1996 - REVISED SEPTEMBER 2001

## MECHANICAL DATA

GFA (S-CPGA-P141)

CERAMIC PIN GRID ARRAY PACKAGE



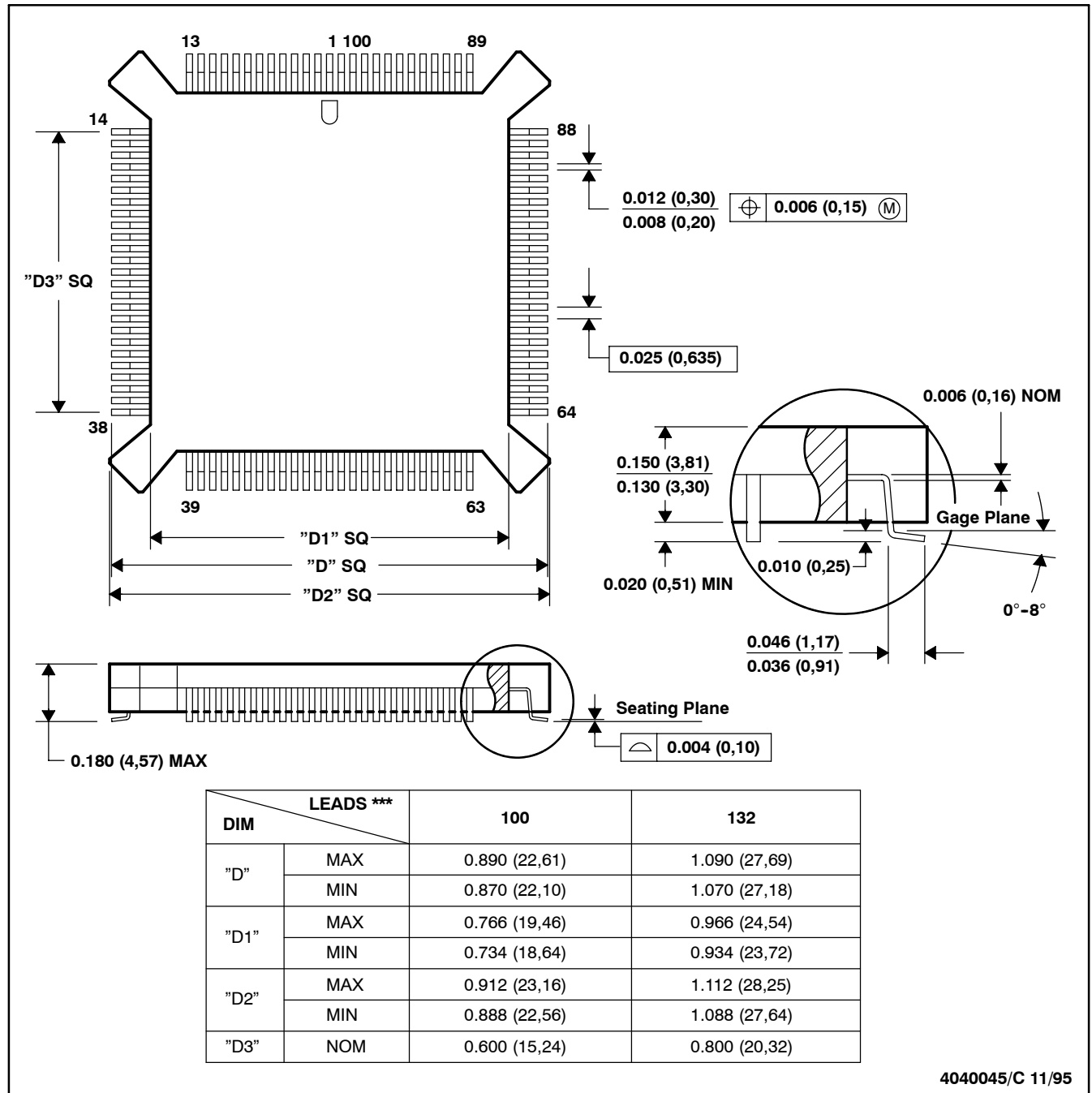
NOTES: A. All linear dimensions are in inches (millimeters).  
B. This drawing is subject to change without notice.  
C. Falls within JEDEC MO-128

MECHANICAL DATA

PQ (S-PQFP-G<sup>\*\*\*</sup>)

PLASTIC QUAD FLATPACK

100 LEAD SHOWN



4040045/C 11/95

NOTES: A. All linear dimensions are in inches (millimeters).  
B. This drawing is subject to change without notice.  
C. Falls within JEDEC MO-069

**PACKAGING INFORMATION**

Orderable part number	Status (1)	Material type (2)	Package   Pins	Package qty   Carrier	RoHS (3)	Lead finish/ Ball material (4)	MSL rating/ Peak reflow (5)	Op temp (°C)	Part marking (6)
<a href="#">5962-9455803QXA</a>	NRND	Production	CPGA (GFA)   141	21   JEDEC TRAY (5+1)	No	Call TI	N/A for Pkg Type	-55 to 125	5962-9455803QX A SMJ320C50GFAM5 0
<a href="#">5962-9455803QYA</a>	NRND	Production	CFP (HFG)   132	10   JEDEC TRAY (5+1)	No	Call TI	N/A for Pkg Type	-55 to 125	5962-9455803QY A SMJ320C50HFGM5 0
5962-9455804NZB	NRND	Production	BQFP (PQ)   132	55   JEDEC TRAY (10+1)	Yes	NIPDAU	Level-4-260C-72 HR	-55 to 125	5962-9455804NZ B SMQ320C50PQM66
5962-9455804QXA	NRND	Production	CPGA (GFA)   141	1   JEDEC TRAY (5+1)	-	Call TI	Call TI	-55 to 125	
5962-9455804QYA	NRND	Production	CFP (HFG)   132	10   JEDEC TRAY (5+1)	-	Call TI	Call TI	-55 to 125	
SMJ320C50GFAM50	NRND	Production	CPGA (GFA)   141	21   JEDEC TRAY (5+1)	No	Call TI	N/A for Pkg Type	-55 to 125	5962-9455803QX A SMJ320C50GFAM5 0
SMJ320C50GFAM66	NRND	Production	CPGA (GFA)   141	21   JEDEC TRAY (5+1)	No	Call TI	N/A for Pkg Type	-55 to 125	5962-9455804QX A SMJ320C50GFAM6 6
<a href="#">SMJ320C50HFGM50</a>	NRND	Production	CFP (HFG)   132	10   JEDEC TRAY (5+1)	No	Call TI	N/A for Pkg Type	-55 to 125	5962-9455803QY A SMJ320C50HFGM5 0
<a href="#">SMJ320C50HFGM66</a>	NRND	Production	CFP (HFG)   132	10   JEDEC TRAY (5+1)	No	Call TI	N/A for Pkg Type	-55 to 125	5962-9455804QY A SMJ320C50HFGM6 6

(1) **Status:** For more details on status, see our [product life cycle](#).

(2) **Material type:** When designated, preproduction parts are prototypes/experimental devices, and are not yet approved or released for full production. Testing and final process, including without limitation quality assurance, reliability performance testing, and/or process qualification, may not yet be complete, and this item is subject to further changes or possible discontinuation. If available for ordering, purchases will be subject to an additional waiver at checkout, and are intended for early internal evaluation purposes only. These items are sold without warranties of any kind.

(3) **RoHS values:** Yes, No, RoHS Exempt. See the [TI RoHS Statement](#) for additional information and value definition.

(4) **Lead finish/Ball material:** Parts may have multiple material finish options. Finish options are separated by a vertical ruled line. Lead finish/Ball material values may wrap to two lines if the finish value exceeds the maximum column width.

(5) **MSL rating/Peak reflow:** The moisture sensitivity level ratings and peak solder (reflow) temperatures. In the event that a part has multiple moisture sensitivity ratings, only the lowest level per JEDEC standards is shown. Refer to the shipping label for the actual reflow temperature that will be used to mount the part to the printed circuit board.

(6) **Part marking:** There may be an additional marking, which relates to the logo, the lot trace code information, or the environmental category of the part.

Multiple part markings will be inside parentheses. Only one part marking contained in parentheses and separated by a "~" will appear on a part. If a line is indented then it is a continuation of the previous line and the two combined represent the entire part marking for that device.

**Important Information and Disclaimer:**The information provided on this page represents TI's knowledge and belief as of the date that it is provided. TI bases its knowledge and belief on information provided by third parties, and makes no representation or warranty as to the accuracy of such information. Efforts are underway to better integrate information from third parties. TI has taken and continues to take reasonable steps to provide representative and accurate information but may not have conducted destructive testing or chemical analysis on incoming materials and chemicals. TI and TI suppliers consider certain information to be proprietary, and thus CAS numbers and other limited information may not be available for release.

In no event shall TI's liability arising out of such information exceed the total purchase price of the TI part(s) at issue in this document sold by TI to Customer on an annual basis.



**TRAY**



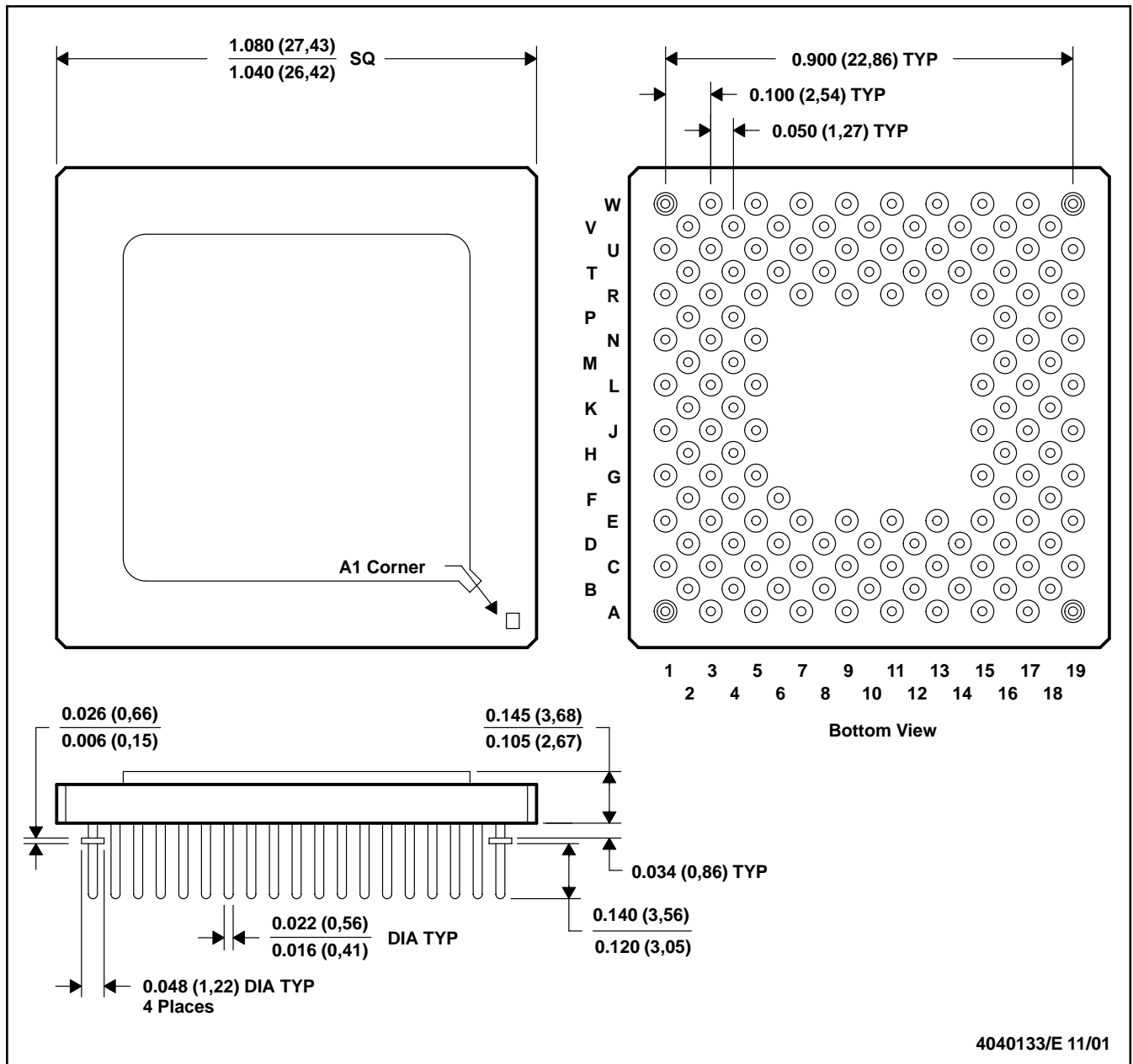
Chamfer on Tray corner indicates Pin 1 orientation of packed units.

\*All dimensions are nominal

Device	Package Name	Package Type	Pins	SPQ	Unit array matrix	Max temperature (°C)	L (mm)	W (mm)	K0 (µm)	P1 (mm)	CL (mm)	CW (mm)
5962-9455804NZZ	PQ	BQFP	132	55	4X9	180	315	135.9	7620	33.37	23.98	20.93

GFA (S-CPGA-P141)

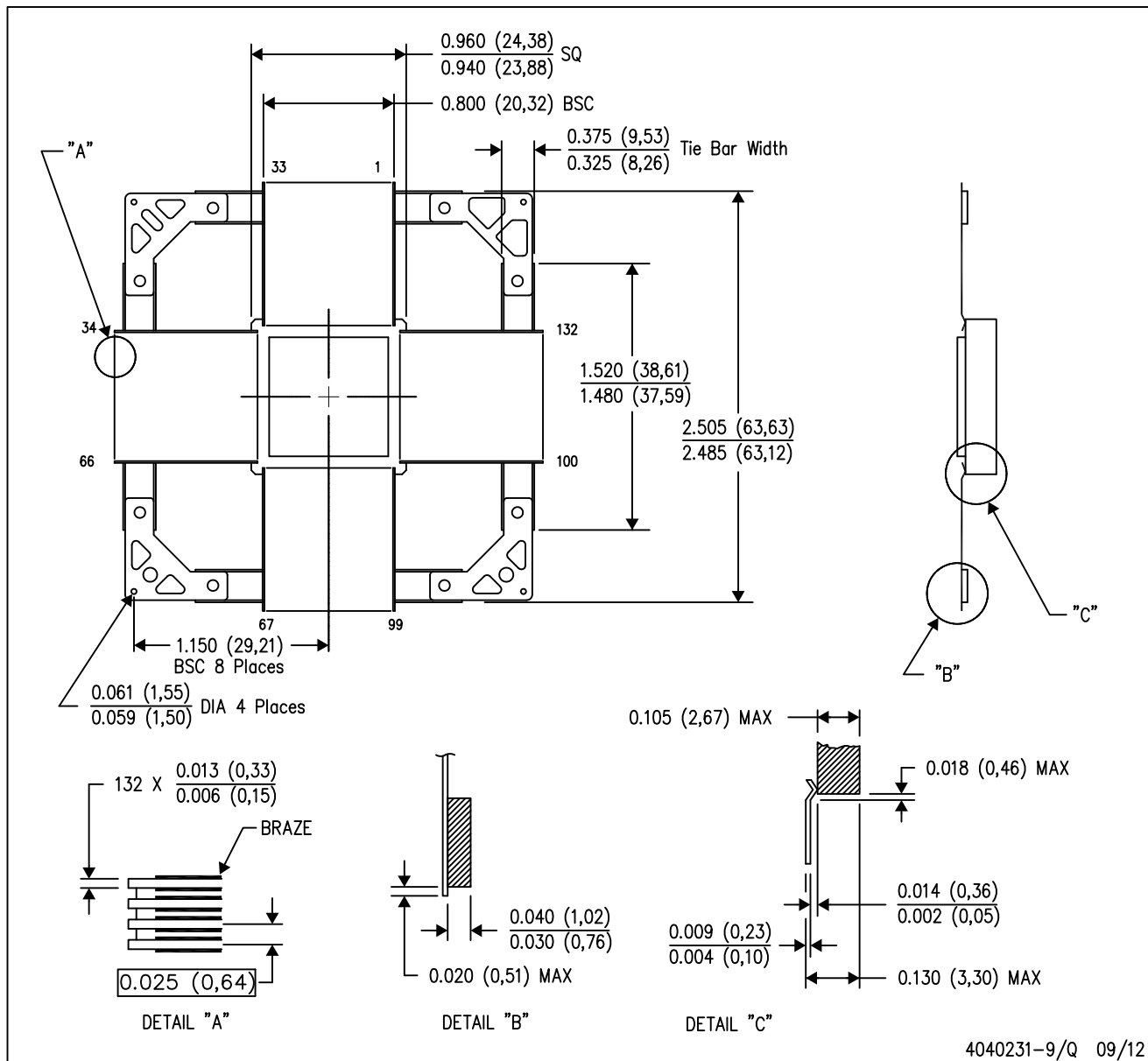
CERAMIC PIN GRID ARRAY



- NOTES:
- A. All linear dimensions are in inches (millimeters).
  - B. This drawing is subject to change without notice.
  - C. Index mark can appear on top or bottom, depending on package vendor.
  - D. Pins are located within 0.010 (0,25) diameter of true position relative to each other at maximum material condition and within 0.030 (0,76) diameter relative to the edge of the ceramic.
  - E. This package can be hermetically sealed with metal lids or with ceramic lids using glass frit.
  - F. The pins can be gold-plated or solder-dipped.
  - G. Falls within JEDEC MO-128AB

HFG (S-CQFP-F132)

CERAMIC QUAD FLATPACK WITH NCTB



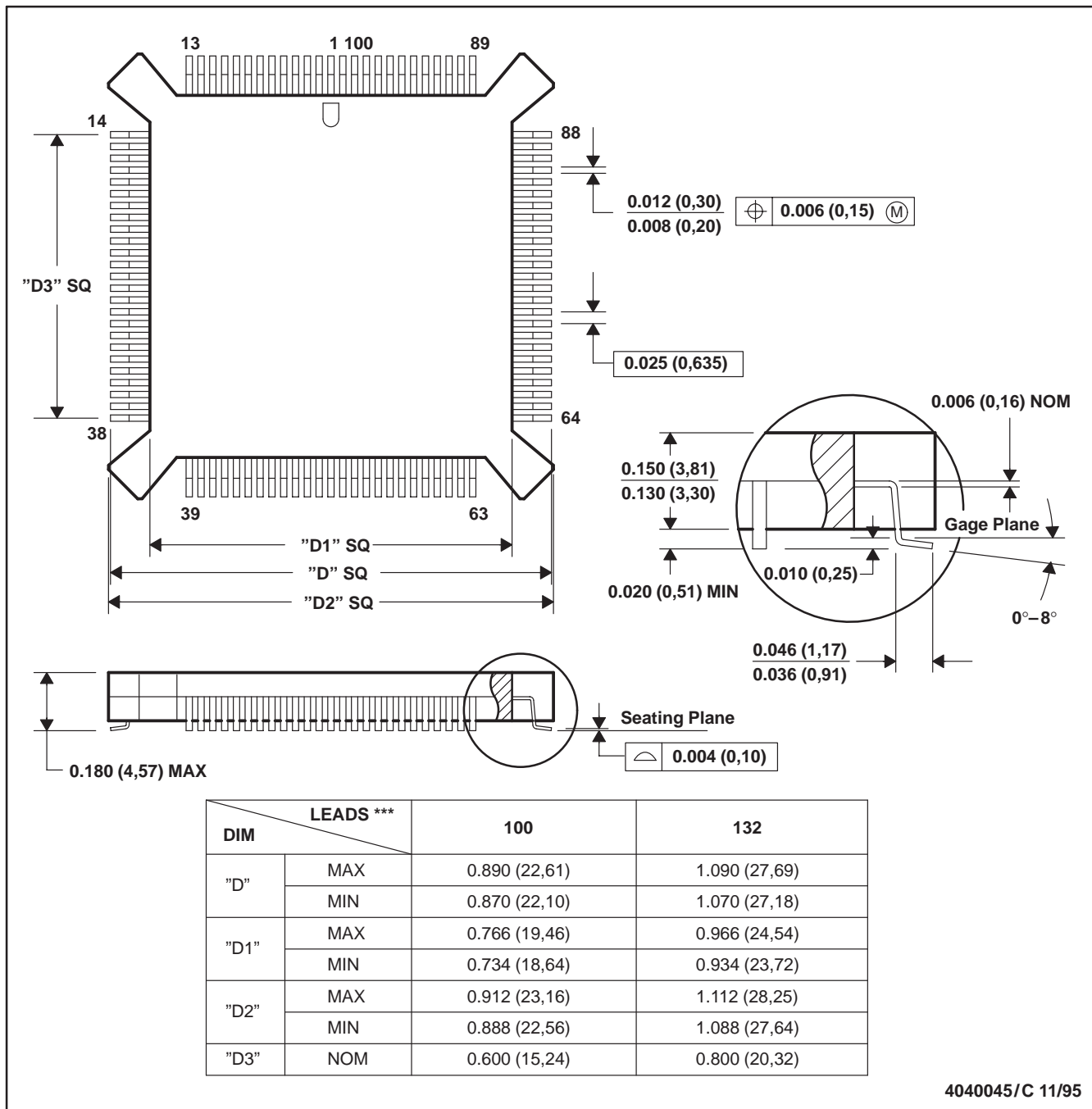
4040231-9/Q 09/12

- NOTES:
- All linear dimensions are in inches (millimeters).
  - This drawing is subject to change without notice.
  - Ceramic quad flatpack with flat leads brazed to non-conductive tie bar carrier.
  - This package is hermetically sealed with a metal lid.
  - The leads are gold plated and can be solderdipped.
  - Leads not shown for clarity purposes.
  - Falls within JEDEC MO-113AC

PQ (S-PQFP-G<sup>\*\*\*</sup>)

PLASTIC QUAD FLATPACK

100 LEAD SHOWN



4040045/C 11/95

- NOTES: A. All linear dimensions are in inches (millimeters).  
 B. This drawing is subject to change without notice.  
 C. Falls within JEDEC MO-069



## IMPORTANT NOTICE AND DISCLAIMER

TI PROVIDES TECHNICAL AND RELIABILITY DATA (INCLUDING DATASHEETS), DESIGN RESOURCES (INCLUDING REFERENCE DESIGNS), APPLICATION OR OTHER DESIGN ADVICE, WEB TOOLS, SAFETY INFORMATION, AND OTHER RESOURCES "AS IS" AND WITH ALL FAULTS, AND DISCLAIMS ALL WARRANTIES, EXPRESS AND IMPLIED, INCLUDING WITHOUT LIMITATION ANY IMPLIED WARRANTIES OF MERCHANTABILITY, FITNESS FOR A PARTICULAR PURPOSE OR NON-INFRINGEMENT OF THIRD PARTY INTELLECTUAL PROPERTY RIGHTS.

These resources are intended for skilled developers designing with TI products. You are solely responsible for (1) selecting the appropriate TI products for your application, (2) designing, validating and testing your application, and (3) ensuring your application meets applicable standards, and any other safety, security, regulatory or other requirements.

These resources are subject to change without notice. TI grants you permission to use these resources only for development of an application that uses the TI products described in the resource. Other reproduction and display of these resources is prohibited. No license is granted to any other TI intellectual property right or to any third party intellectual property right. TI disclaims responsibility for, and you fully indemnify TI and its representatives against any claims, damages, costs, losses, and liabilities arising out of your use of these resources.

TI's products are provided subject to [TI's Terms of Sale](#), [TI's General Quality Guidelines](#), or other applicable terms available either on [ti.com](http://ti.com) or provided in conjunction with such TI products. TI's provision of these resources does not expand or otherwise alter TI's applicable warranties or warranty disclaimers for TI products. Unless TI explicitly designates a product as custom or customer-specified, TI products are standard, catalog, general purpose devices.

TI objects to and rejects any additional or different terms you may propose.

Copyright © 2026, Texas Instruments Incorporated

Last updated 10/2025