

TLV170x-Q1 2.2-V to 36-V, microPower Comparator

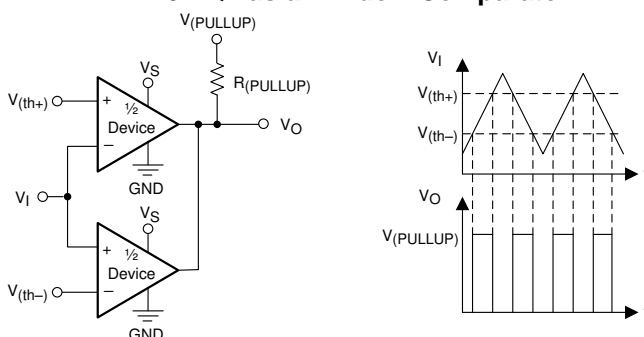
1 Features

- Qualified for Automotive Applications
- AEC Q100-Qualified With the Following Results
 - Device Temperature Grade 1: -40°C to $+125^{\circ}\text{C}$ Ambient Operating Temperature
 - Device HBM ESD Classification Level 2 (TLV1701-Q1)
 - Device HBM ESD Classification Level 1C (TLV1702-Q1, TLV1704-Q1)
 - Device CDM ESD Classification Level C6
- Supply Range: 2.2 V to 36 V or ± 1.1 V to ± 18 V
- Low Quiescent Current: 55 μA per Comparator
- Input Common-Mode Range Includes Both Rails
- Low Propagation Delay: 560 ns
- Low Input Offset Voltage: 300 μV
- Open Collector Outputs:
 - Up to 36 V Above Negative Supply Regardless of Supply Voltage
- Industrial Temperature Range: -40°C to $+125^{\circ}\text{C}$
- Small Packages:
 - Single: SOT23-5 and SC-70-5
 - Dual: VSSOP-8
 - Quad: TSSOP-14

2 Applications

- Overvoltage and Undervoltage Detectors
- Window Comparators
- Overcurrent Detectors
- Zero-Crossing Detectors
- System Monitoring for:
 - White Goods
 - Automotive
 - Medical

TLV1702-Q1 as a Window Comparator



3 Description

The TLV1701-Q1 (Single), TLV1702-Q1 (Dual) and TLV1704-Q1 (Quad) devices offers a wide supply range, rail-to-rail inputs, low quiescent current, and low propagation delay. All these features come in industry-standard, extremely-small packages, making these devices the best general-purpose comparators available.

The open collector output offers the advantage of allowing the output to be pulled to any voltage rail up to 36 V above the negative power supply, regardless of the TLV170x-Q1 supply voltage.

The device is a microPower comparator. Low input offset voltage, low input bias currents, low supply current, and open-collector configuration make the TLV170x-Q1 device flexible enough to handle almost any application, from simple voltage detection to driving a single relay.

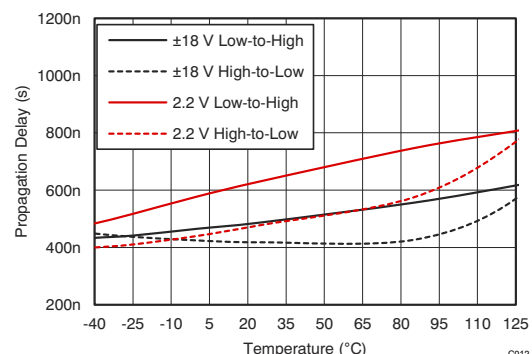
The device is specified for operation across the expanded industrial temperature range of -40°C to $+125^{\circ}\text{C}$.

Device Information⁽¹⁾

| PART NUMBER | PACKAGE | BODY SIZE (NOM) |
|-------------|------------|-------------------|
| TLV1701-Q1 | SOT-23 (5) | 1.60 mm x 2.90 mm |
| | SC-70 (5) | 1.25 mm x 2.00 mm |
| TLV1702-Q1 | VSSOP (8) | 3.00 mm x 3.00 mm |
| TLV1704-Q1 | TSSOP (14) | 4.40 mm x 5.00 mm |

(1) For all available packages, see the package option addendum at the end of the data sheet.

Stable Propagation Delay vs Temperature



c012



Table of Contents

| | | | | | |
|----------|--|-----------|-----------|---|-----------|
| 1 | Features | 1 | 8.4 | Device Functional Modes..... | 11 |
| 2 | Applications | 1 | 9 | Application and Implementation | 12 |
| 3 | Description | 1 | 9.1 | Application Information..... | 12 |
| 4 | Revision History | 2 | 9.2 | Typical Application | 12 |
| 5 | Device Comparison Table | 3 | 10 | Power Supply Recommendations | 13 |
| 6 | Pin Configuration and Functions | 4 | 11 | Layout | 14 |
| 7 | Specifications | 5 | 11.1 | Layout Guidelines | 14 |
| 7.1 | Absolute Maximum Ratings | 5 | 11.2 | Layout Example | 14 |
| 7.2 | ESD Ratings..... | 5 | 12 | Device and Documentation Support | 15 |
| 7.3 | Recommended Operating Conditions..... | 5 | 12.1 | Documentation Support | 15 |
| 7.4 | Thermal Information | 5 | 12.2 | Related Links | 15 |
| 7.5 | Electrical Characteristics..... | 6 | 12.3 | Receiving Notification of Documentation Updates | 15 |
| 7.6 | Switching Characteristics | 6 | 12.4 | Support Resources | 15 |
| 7.7 | Typical Characteristics | 7 | 12.5 | Trademarks | 15 |
| 8 | Detailed Description | 10 | 12.6 | Electrostatic Discharge Caution..... | 15 |
| 8.1 | Overview | 10 | 12.7 | Glossary | 15 |
| 8.2 | Functional Block Diagram | 10 | 13 | Mechanical, Packaging, and Orderable Information | 15 |
| 8.3 | Feature Description..... | 11 | | | |

4 Revision History

NOTE: Page numbers for previous revisions may differ from page numbers in the current version.

| Changes from Revision B (September 2017) to Revision C | Page |
|---|-------------|
| • Added DCK Package Information..... | 1 |
| • Changed incorrect front page HBM ESD classification level from 3A to 2 for TLV1701-Q1 | 1 |
| • Changed incorrect front page CDM from C5 back to C6 | 1 |

| Changes from Revision A (December 2015) to Revision B | Page |
|---|-------------|
| • Added TLV1701-Q1 device to data sheet | 1 |
| • Added TLV1701-Q1 to ESD table and specified the ESD ratings under each device | 5 |

| Changes from Original (November 2015) to Revision A | Page |
|--|-------------|
| • Added TLV1704-Q1 device to data sheet | 1 |

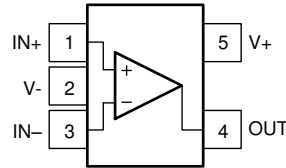
5 Device Comparison Table

Table 1. Related Products

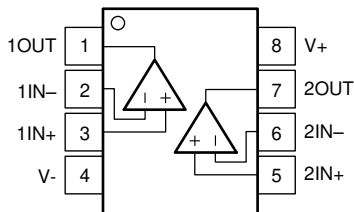
| DEVICE | FEATURES |
|-----------------------------|---|
| TLC3702-Q1 | Push-pull, 20- μ A, 20-mA drive |
| TLC3704-Q1 | |
| TLV3012-Q1 | Push-pull, 5- μ A, integrated 1.242-V reference |
| TLV3501-Q1 | Push-Pull, 3.2 mA, 4.5-ns propagation delay |
| TLV3502-Q1 | |
| TLV3701-Q1 | Push-pull, 560-nA, reverse battery to 16 V |
| TLV3702-Q1 | |
| REF50xx-Q1 | Series reference, 0.1% tolerance, 8 ppm/ $^{\circ}$ C |
| TL4050xx-Q1 | Shunt reference, 0.1% tolerance, 50 ppm/ $^{\circ}$ C |
| TLVH431-Q1 | Adjustable Shunt Reference, 1.24 V to 18 V |

6 Pin Configuration and Functions

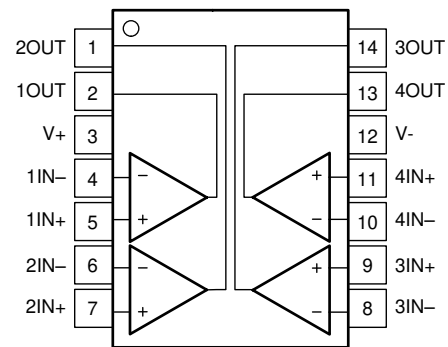
TLV1701-Q1 DBV and DCK Packages
5-Pin SOT-23 and SC70
Top View



TLV1702-Q1 DGK Package
8-Pin VSSOP
Top View



TLV1704-Q1 PW Package
14-Pin TSSOP
Top View



Pin Functions

| NAME | PIN | | | I/O | DESCRIPTION |
|------|---------------------|----------------|---------------|-----|---------------------------------|
| | TLV1701-Q1 DBV, DCK | TLV1702-Q1 DGK | TLV1704-Q1 PW | | |
| IN+ | 1 | — | — | I | Noninverting input |
| 1IN+ | — | 3 | 5 | I | Noninverting input, channel 1 |
| 2IN+ | — | 5 | 7 | I | Noninverting input, channel 2 |
| 3IN+ | — | — | 9 | I | Noninverting input, channel 3 |
| 4IN+ | — | — | 11 | I | Noninverting input, channel 4 |
| IN- | 3 | — | — | I | Inverting input |
| 1IN- | — | 2 | 4 | I | Inverting input, channel 1 |
| 2IN- | — | 6 | 6 | I | Inverting input, channel 2 |
| 3IN- | — | — | 8 | I | Inverting input, channel 3 |
| 4IN- | — | — | 10 | I | Inverting input, channel 4 |
| OUT | 4 | — | — | O | Output |
| 1OUT | — | 1 | 2 | O | Output, channel 1 |
| 2OUT | — | 7 | 1 | O | Output, channel 2 |
| 3OUT | — | — | 14 | O | Output, channel 3 |
| 4OUT | — | — | 13 | O | Output, channel 4 |
| V+ | 5 | 8 | 3 | — | Positive (highest) power supply |
| V- | 2 | 4 | 12 | — | Negative (lowest) power supply |

7 Specifications

7.1 Absolute Maximum Ratings

over operating free-air temperature range (unless otherwise noted)⁽¹⁾

| | | MIN | MAX | UNIT |
|---------------------------------------|------------------------|--------------------------|--------------------------|------|
| Supply voltage | | 40 (±20) | | V |
| Signal input pins | Voltage ⁽²⁾ | (V _{S-}) – 0.5 | (V _{S+}) + 0.5 | V |
| | Current ⁽²⁾ | ±10 | | mA |
| Output short-circuit ⁽³⁾ | | Continuous | | mA |
| Operating temperature | | –55 | 150 | °C |
| Junction temperature, T _J | | 150 | | °C |
| Storage temperature, T _{stg} | | –65 | 150 | °C |

- (1) Stresses beyond those listed under *Absolute Maximum Ratings* may cause permanent damage to the device. These are stress ratings only, and functional operation of the device at these or any other conditions beyond those indicated under *Recommended Operating Conditions* is not implied. Exposure to absolute-maximum-rated conditions for extended periods may affect device reliability.
- (2) Input pins are diode-clamped to the power-supply rails. Input signals that can swing more than 0.5 V beyond the supply rails must be current limited to 10 mA or less.
- (3) Short-circuit to ground; one comparator per package.

7.2 ESD Ratings

| | | VALUE | UNIT |
|--------------------|-------------------------|---|-------|
| TLV1701-Q1 | | | |
| V _(ESD) | Electrostatic discharge | Human-body model (HBM), per AEC Q100-002 ⁽¹⁾ | ±2000 |
| | | Charged-device model (CDM), per AEC Q100-011 | ±1000 |
| TLV1702-Q1 | | | |
| V _(ESD) | Electrostatic discharge | Human-body model (HBM), per AEC Q100-002 ⁽¹⁾ | ±1000 |
| | | Charged-device model (CDM), per AEC Q100-011 | ±1000 |
| TLV1704-Q1 | | | |
| V _(ESD) | Electrostatic discharge | Human-body model (HBM), per AEC Q100-002 ⁽¹⁾ | ±1000 |
| | | Charged-device model (CDM), per AEC Q100-011 | ±1000 |

- (1) AEC Q100-002 indicates that HBM stressing shall be in accordance with the ANSI/ESDA/JEDEC JS-001 specification.

7.3 Recommended Operating Conditions

over operating free-air temperature range (unless otherwise noted)

| | MIN | NOM | MAX | UNIT |
|---|------------|-----|----------|------|
| Supply voltage V _S = (V _{S+}) – (V _{S-}) | 2.2 (±1.1) | | 36 (±18) | V |
| Specified temperature | –40 | | 125 | °C |

7.4 Thermal Information

| THERMAL METRIC ⁽¹⁾ | TLV1701-Q1 | | TLV1702-Q1 | TLV1704-Q1 | UNIT |
|--|--------------|-------------|-------------|------------|------|
| | DBV (SOT-23) | DCK (SC-70) | DGK (VSSOP) | PW (TSSOP) | |
| | 5 PINS | 5 PINS | 8 PINS | 14 PINS | |
| R _{θJA} Junction-to-ambient thermal resistance | 233.1 | 222.5 | 199 | 128.1 | °C/W |
| R _{θJC(top)} Junction-to-case (top) thermal resistance | 156.4 | 137.2 | 89.5 | 56.5 | °C/W |
| R _{θJB} Junction-to-board thermal resistance | 60.6 | 71.3 | 120.4 | 69.9 | °C/W |
| ψ _{JT} Junction-to-top characterization parameter | 35.7 | 44.6 | 22 | 9.1 | °C/W |
| ψ _{JB} Junction-to-board characterization parameter | 59.7 | 71.0 | 118.7 | 69.3 | °C/W |
| R _{θJC(bot)} Junction-to-case (bottom) thermal resistance | N/A | N/A | N/A | N/A | °C/W |

- (1) For more information about traditional and new thermal metrics, see the [Semiconductor and IC Package Thermal Metrics](#) application report.

7.5 Electrical Characteristics

 at $T_A = 25^\circ\text{C}$, $V_S = 2.2\text{ V to }36\text{ V}$, $C_L = 15\text{ pF}$, $R_{PULLUP} = 5.1\text{ k}\Omega$, $V_{CM} = V_S / 2$, and $V_S = V_{PULLUP}$ (unless otherwise noted)

| PARAMETER | TEST CONDITIONS | MIN | TYP | MAX | UNIT | |
|----------------------------|---------------------------------|--|-----|---|-----------|------------------------------|
| OFFSET VOLTAGE | | | | | | |
| V_{OS} | Input offset voltage | $T_A = 25^\circ\text{C}$, $V_S = 2.2\text{ V}$ | | ± 0.5 | ± 3.5 | mV |
| | | $T_A = 25^\circ\text{C}$, $V_S = 36\text{ V}$ | | ± 0.3 | ± 2.5 | mV |
| | | $T_A = -40^\circ\text{C to }+125^\circ\text{C}$ | | | ± 5.5 | mV |
| | | $T_A = 25^\circ\text{C}$, $V_S = 36\text{ V}$, TLV1701-Q1 Only | | ± 0.4 | ± 3.2 | |
| | | $T_A = -40^\circ\text{C to }+125^\circ\text{C}$, TLV1701-Q1 Only | | | ± 6.3 | |
| dV_{OS}/dT | Input offset voltage drift | $T_A = -40^\circ\text{C to }+125^\circ\text{C}$ | | ± 4 | ± 20 | $\mu\text{V}/^\circ\text{C}$ |
| PSRR | Power-supply rejection ratio | $T_A = 25^\circ\text{C}$ | | 15 | 100 | $\mu\text{V}/\text{V}$ |
| | | $T_A = -40^\circ\text{C to }+125^\circ\text{C}$ | | 20 | | $\mu\text{V}/\text{V}$ |
| INPUT VOLTAGE RANGE | | | | | | |
| V_{CM} | Common-mode voltage range | $T_A = -40^\circ\text{C to }+125^\circ\text{C}$ | | (V-) | (V+) | V |
| INPUT BIAS CURRENT | | | | | | |
| I_B | Input bias current | $T_A = 25^\circ\text{C}$ | | 5 | 15 | nA |
| | | $T_A = -40^\circ\text{C to }+125^\circ\text{C}$ | | | 20 | nA |
| I_{OS} | Input offset current | | | 0.5 | | nA |
| C_{LOAD} | Capacitive load drive | | | See Typical Characteristics | | |
| OUTPUT | | | | | | |
| V_O | Voltage output swing from rail | $I_O \leq 4\text{ mA}$, input overdrive = 100 mV, $V_S = 36\text{ V}$ | | | 900 | mV |
| | | $I_O = 0\text{ mA}$, input overdrive = 100 mV, $V_S = 36\text{ V}$ | | | 600 | mV |
| I_{SC} | Short circuit sink current | | | 20 | | mA |
| | Output leakage current | $V_{IN+} > V_{IN-}$ | | 70 | | nA |
| POWER SUPPLY | | | | | | |
| V_S | Specified voltage range | | | 2.2 | 36 | V |
| I_Q | Quiescent current (per channel) | $I_O = 0\text{ A}$ | | 55 | 75 | μA |
| | | $I_O = 0\text{ A}$, $T_A = -40^\circ\text{C to }+125^\circ\text{C}$ | | | 100 | μA |

7.6 Switching Characteristics

 at $T_A = 25^\circ\text{C}$, $V_S = +2.2\text{ V to }+36\text{ V}$, $C_L = 15\text{ pF}$, $R_{PULLUP} = 5.1\text{ k}\Omega$, $V_{CM} = V_S / 2$, and $V_S = V_{PULLUP}$ (unless otherwise noted)

| PARAMETER | TEST CONDITIONS | MIN | TYP | MAX | UNIT |
|-----------|-------------------------------------|-----|-----|-----|------|
| t_{pHL} | Propagation delay time, high-to-low | | 460 | | ns |
| t_{pLH} | Propagation delay time, low-to-high | | 560 | | ns |
| t_R | Rise time | | 365 | | ns |
| t_F | Fall time | | 240 | | ns |

7.7 Typical Characteristics

at $T_A = 25^\circ\text{C}$, $V_S = 5\text{ V}$, $R_{\text{PULLUP}} = 5.1\text{ k}\Omega$, and input overdrive = 100 mV (unless otherwise noted)

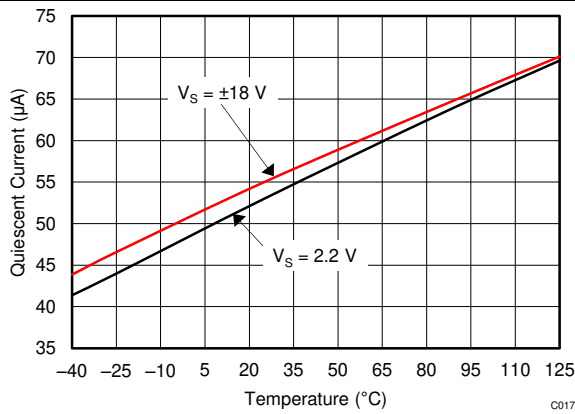


Figure 1. Quiescent Current vs Temperature

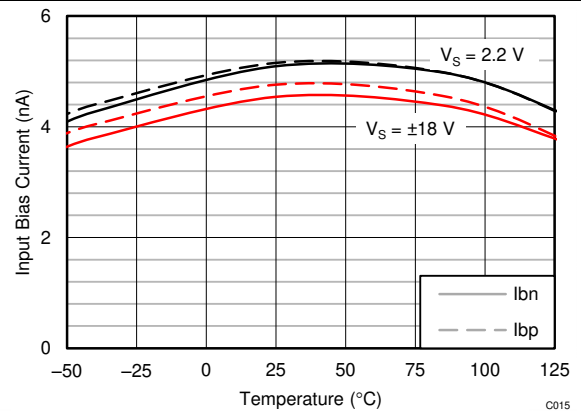


Figure 2. Input Bias Current vs Temperature

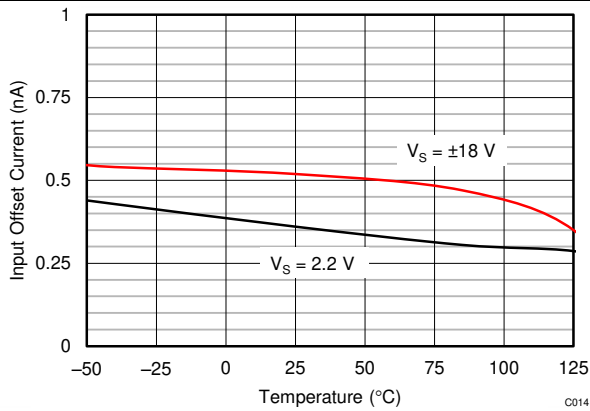


Figure 3. Input Offset Current vs Temperature

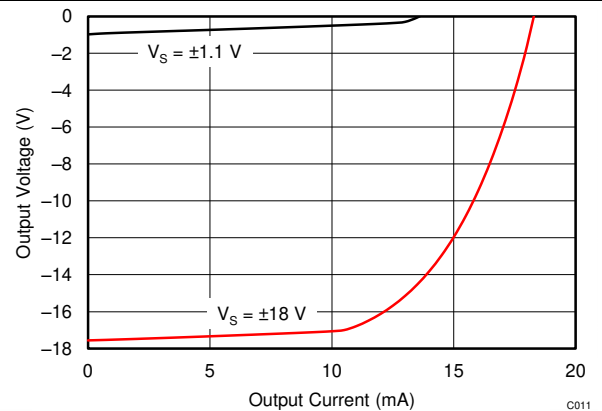


Figure 4. Output Voltage vs Output Current

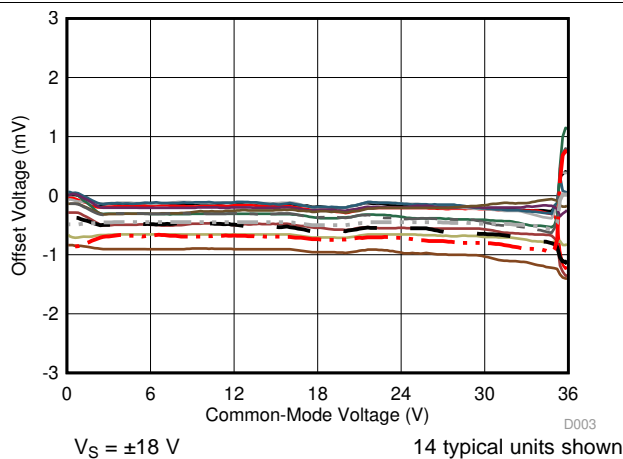


Figure 5. Offset Voltage vs Common-Mode Voltage

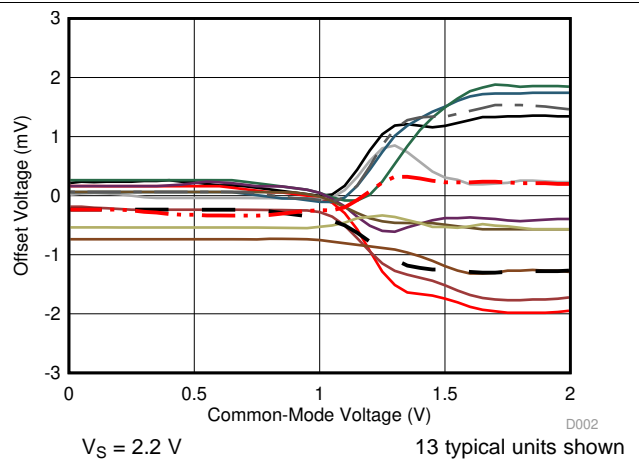


Figure 6. Offset Voltage vs Common-Mode Voltage

Typical Characteristics (continued)

at $T_A = 25^\circ\text{C}$, $V_S = 5\text{ V}$, $R_{\text{PULLUP}} = 5.1\text{ k}\Omega$, and input overdrive = 100 mV (unless otherwise noted)

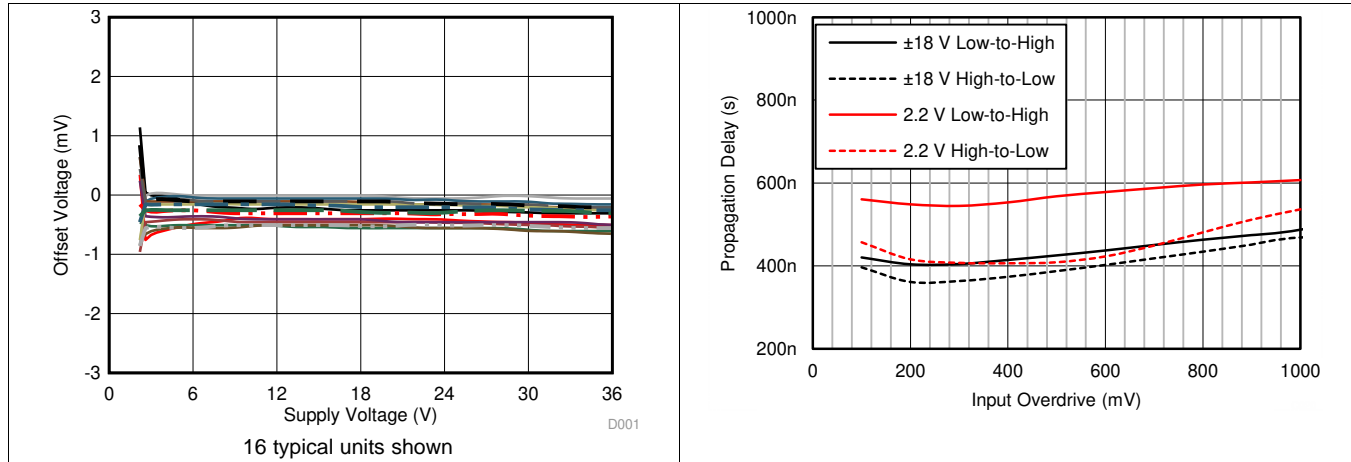


Figure 7. Offset Voltage vs Supply Voltage

Figure 8. Propagation Delay vs Input Overdrive

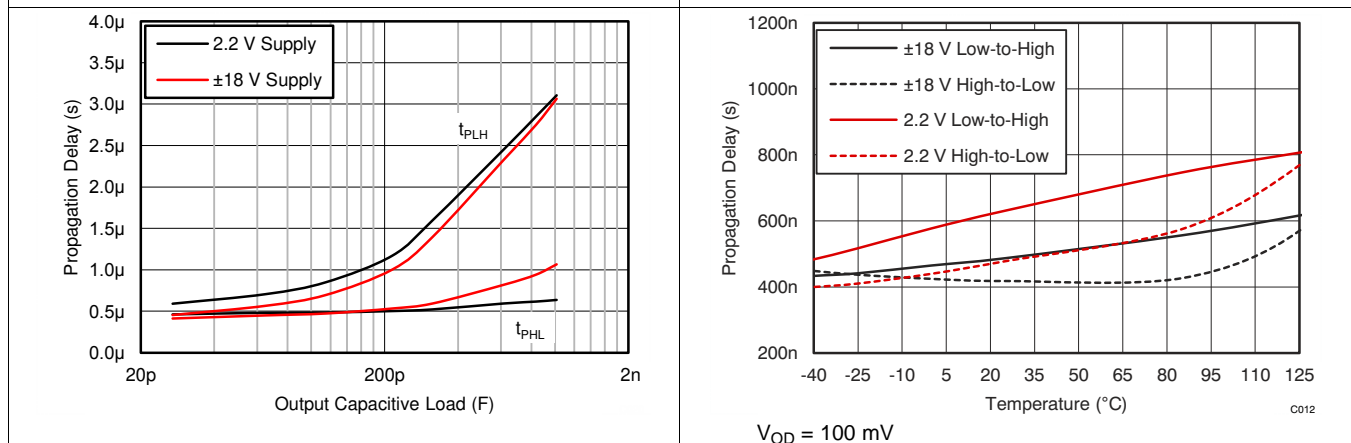


Figure 9. Propagation Delay vs Capacitive Load

Figure 10. Propagation Delay vs Temperature

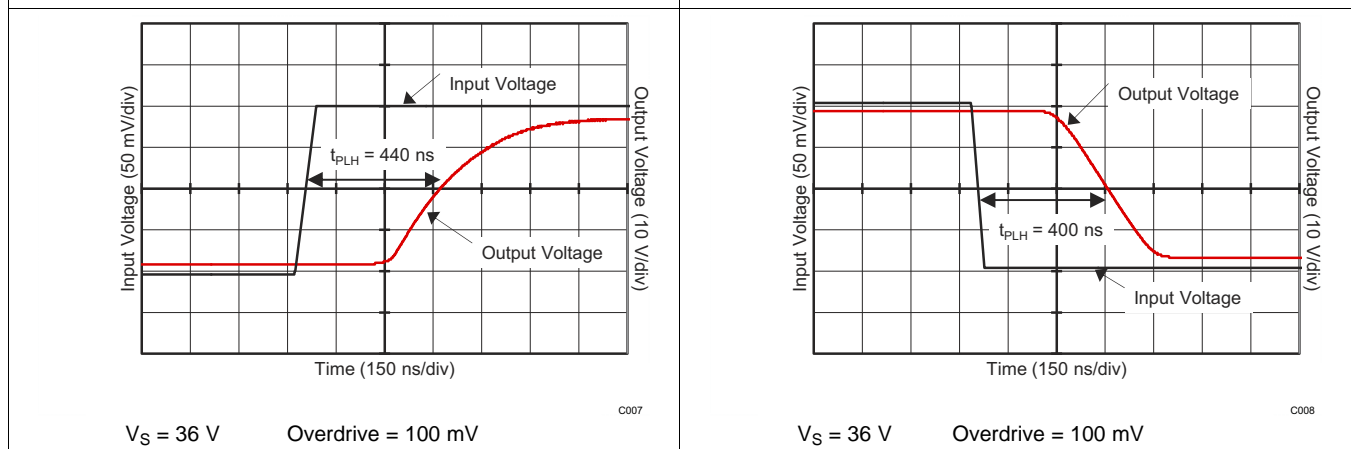
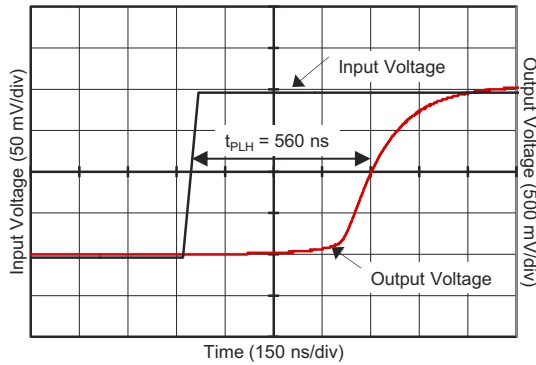


Figure 11. Propagation Delay (T_{pLH})

Figure 12. Propagation Delay (T_{pHL})

Typical Characteristics (continued)

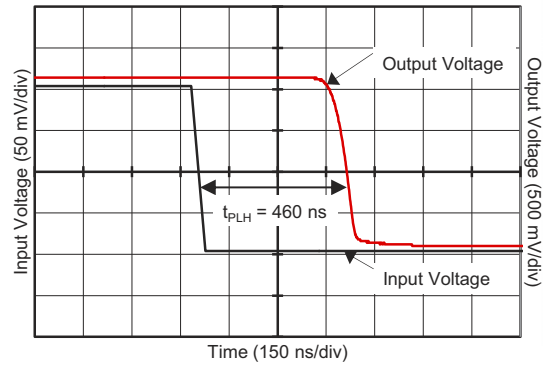
at $T_A = 25^\circ\text{C}$, $V_S = 5\text{ V}$, $R_{\text{PULLUP}} = 5.1\text{ k}\Omega$, and input overdrive = 100 mV (unless otherwise noted)



$V_S = 2.2\text{ V}$ Overdrive = 100 mV

C009

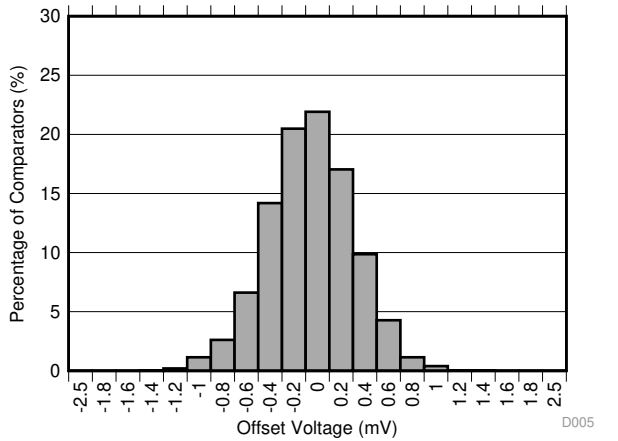
Figure 13. Propagation Delay (T_{pLH})



$V_S = 2.2\text{ V}$ Overdrive = 100 mV

C010

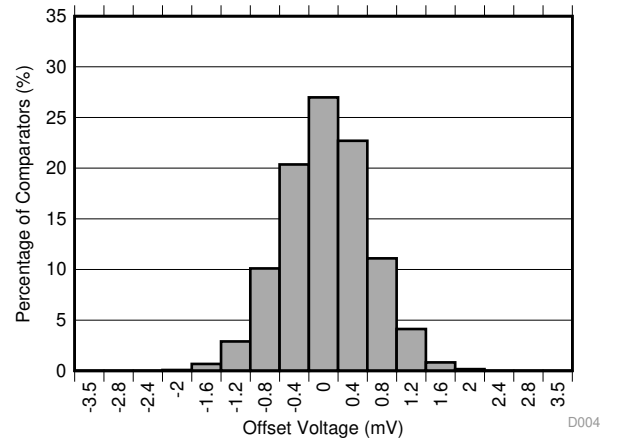
Figure 14. Propagation Delay (T_{pHL})



$V_S = \pm 18\text{ V}$ Distribution taken from 2524 comparators

D005

Figure 15. Offset Voltage Production Distribution



$V_S = 2.2\text{ V}$ Distribution taken from 2524 comparators

D004

Figure 16. Offset Voltage Production Distribution

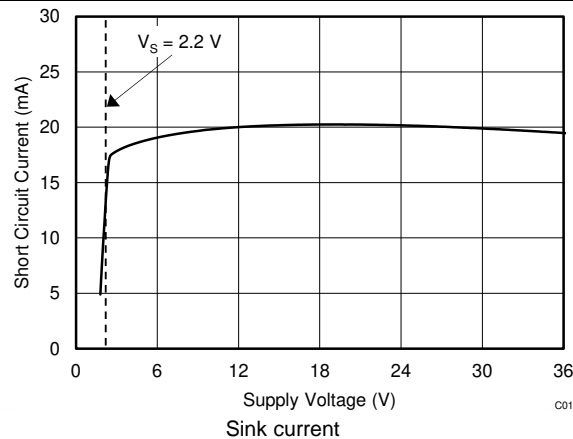


Figure 17. Short-Circuit Current vs Supply Voltage

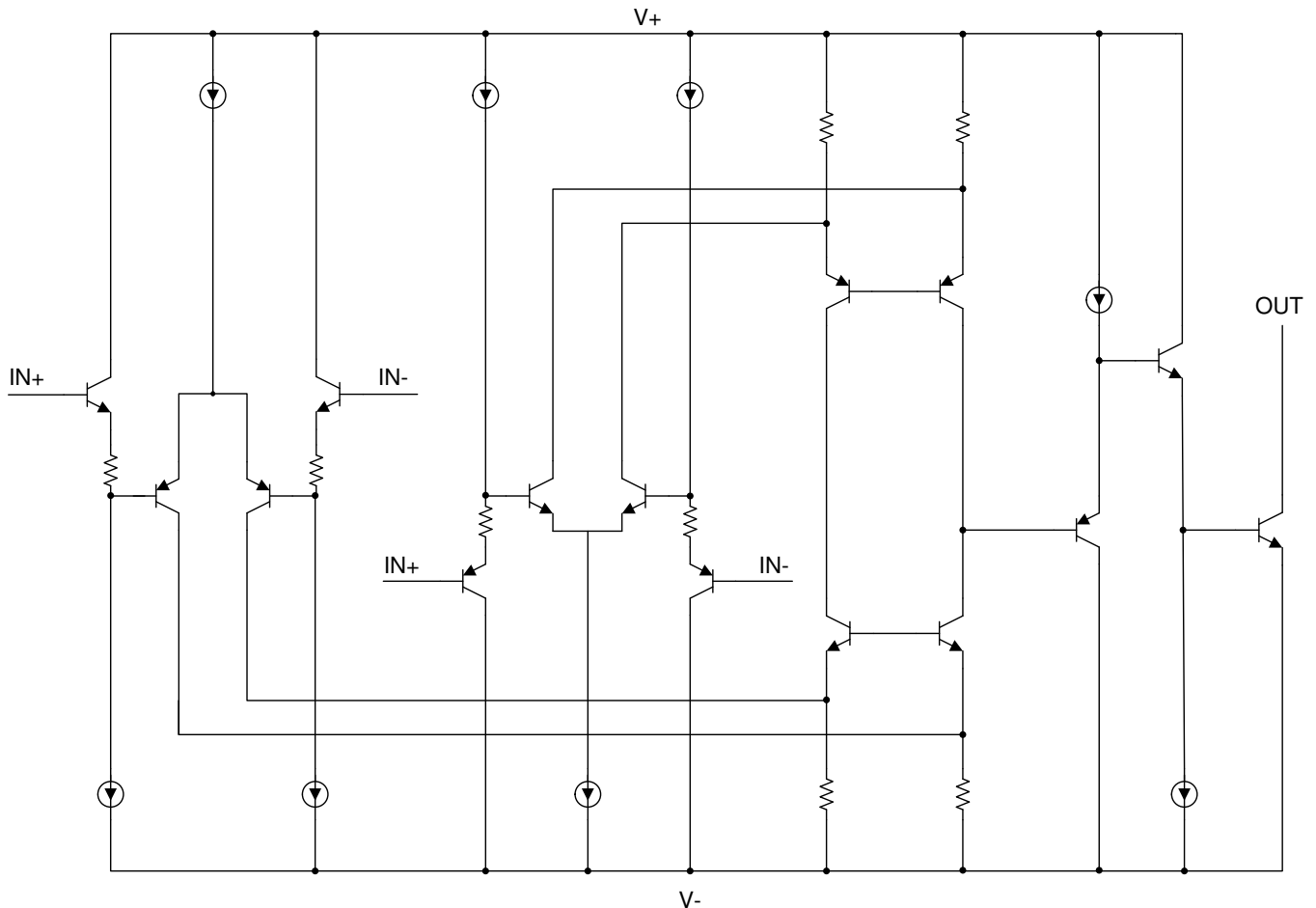
C016

8 Detailed Description

8.1 Overview

The TLV170x-Q1 comparator features rail-to-rail input and output on supply voltages as high as 36 V. The rail-to-rail input stage enables detection of signals close to the supply and ground. The open-collector configuration allows the device to be used in wired-OR configurations, such as a window comparator. A low supply current of 55 μA per channel with small, space-saving packages, makes these comparators versatile for use in a wide range of applications, from portable to industrial.

8.2 Functional Block Diagram



8.3 Feature Description

8.3.1 Comparator Inputs

The TLV170x-Q1 device is a rail-to-rail input comparator, with an input common-mode range that includes the supply rails. The TLV170x-Q1 device is designed to prevent phase inversion when the input pins exceed the supply voltage. Figure 18 shows the TLV170x-Q1 device response when input voltages exceed the supply, resulting in no phase inversion.

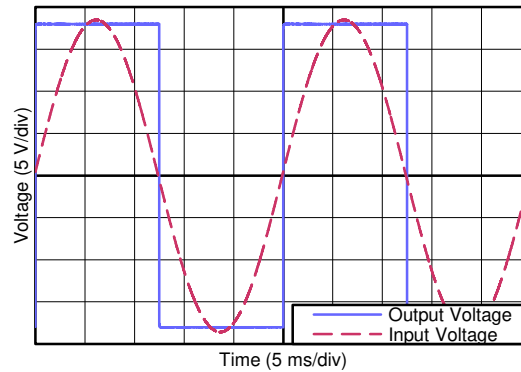


Figure 18. No Phase Inversion: Comparator Response to Input Voltage (Propagation Delay Included)

8.4 Device Functional Modes

8.4.1 Setting Reference Voltage

Using a stable reference is important when setting the transition point for the TLV170x-Q1 device. The REF3333, as shown in Figure 19, provides a 3.3-V reference voltage with low drift and only 3.9 μ A of quiescent current.

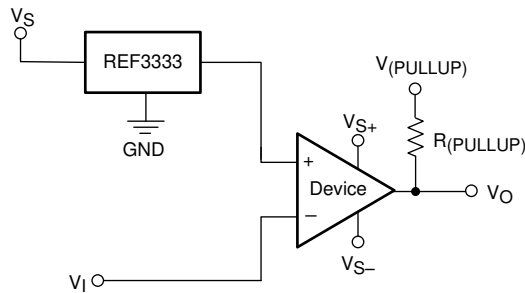


Figure 19. Reference Voltage for the TLV170x-Q1

9 Application and Implementation

NOTE

Information in the following applications sections is not part of the TI component specification, and TI does not warrant its accuracy or completeness. TI's customers are responsible for determining suitability of components for their purposes. Customers should validate and test their design implementation to confirm system functionality.

9.1 Application Information

The TLV170x-Q1 device can be used in a wide variety of applications, such as zero crossing detectors, window comparators, over and undervoltage detectors, and high-side voltage sense circuits.

9.2 Typical Application

Comparators are used to differentiate between two different signal levels. For example, a comparator differentiates between an overtemperature and normal-temperature condition. However, noise or signal variation at the comparison threshold causes multiple transitions. This application example sets upper and lower hysteresis thresholds to eliminate the multiple transitions caused by noise.

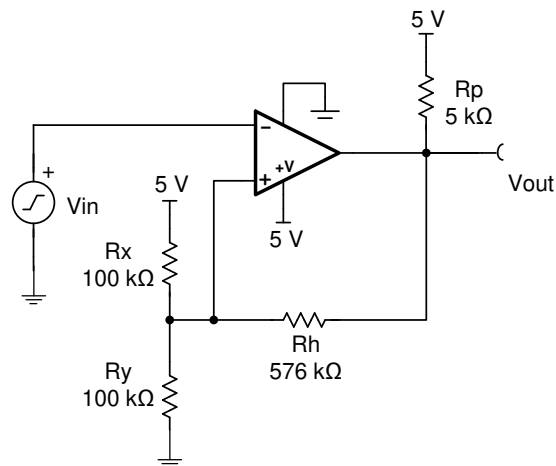


Figure 20. Comparator Schematic With Hysteresis

9.2.1 Design Requirements

The design requirements are as follows:

- Supply voltage: 5 V
- Input: 0 V to 5 V
- Lower threshold (V_L) = 2.3 V \pm 0.1 V
- Upper threshold (V_H) = 2.7 V \pm 0.1 V
- $V_H - V_L = 2.4$ V \pm 0.1 V
- Low-power consumption

Typical Application (continued)

9.2.2 Detailed Design Procedure

Make a small change to the comparator circuit to add hysteresis. Hysteresis uses two different threshold voltages to avoid the multiple transitions introduced in the previous circuit. The input signal must exceed the upper threshold (VH) to transition low, or below the lower threshold (VL) to transition high.

Figure 20 illustrates hysteresis on a comparator. Resistor Rh sets the hysteresis level. An open-collector output stage requires a pullup resistor (Rp). The pullup resistor creates a voltage divider at the comparator output that introduces an error when the output is at logic high. This error can be minimized if $R_h > 100 R_p$.

When the output is at a logic high (5 V), Rh is in parallel with Rx (ignoring Rp). This configuration drives more current into Ry, and raises the threshold voltage (VH) to 2.7 V. The input signal must drive above $V_H = 2.7$ V to cause the output to transition to logic low (0 V).

When the output is at logic low (0 V), Rh is in parallel with Ry. This configuration reduces the current into Ry, and reduces the threshold voltage to 2.3 V. The input signal must drive below $V_L = 2.3$ V to cause the output to transition to logic high (5 V).

For more details on this design and other alternative devices that can be used in place of the TLV1702, refer to Precision Design TIPD144, *Comparator with Hysteresis Reference Design*.

9.2.3 Application Curve

Figure 21 shows the upper and lower thresholds for hysteresis. The upper threshold is 2.76 V and the lower threshold is 2.34 V, both of which are close to the design target.

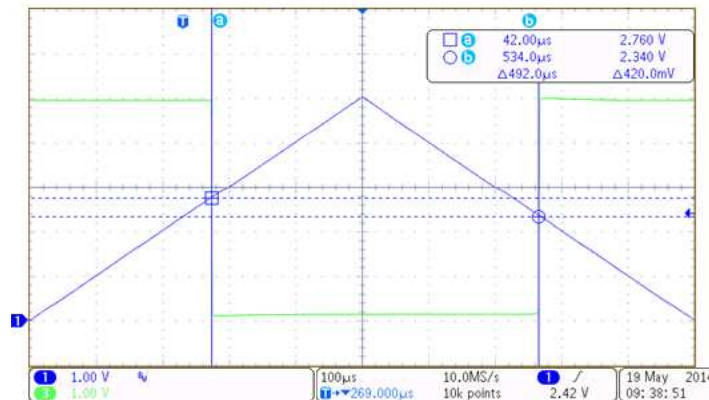


Figure 21. TLV1701 Upper and Lower Threshold With Hysteresis

10 Power Supply Recommendations

The TLV170x-Q1 device is specified for operation from 2.2 V to 36 V (± 1.1 to ± 18 V); many specifications apply from -40°C to $+125^\circ\text{C}$. Parameters that can exhibit significant variance with regard to operating voltage or temperature are presented in the *Typical Characteristics* section.

CAUTION

Supply voltages larger than 40 V can permanently damage the device; see the *Absolute Maximum Ratings*.

Place 0.1- μF bypass capacitors close to the power-supply pins to reduce errors coupling in from noisy or high-impedance power supplies. For more detailed information on bypass capacitor placement; see the *Layout Guidelines* section.

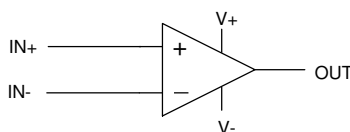
11 Layout

11.1 Layout Guidelines

Comparators are very sensitive to input noise. For best results, maintain the following layout guidelines:

- Use a printed-circuit board (PCB) with a good, unbroken low-inductance ground plane. Proper grounding (use of ground plane) helps maintain specified performance of the TLV170x-Q1 device.
- To minimize supply noise, place a decoupling capacitor (0.1- μ F ceramic, surface-mount capacitor) as close as possible to V_S as shown in Figure 22.
- On the inputs and the output, keep lead lengths as short as possible to avoid unwanted parasitic feedback around the comparator. Keep inputs away from the output.
- Solder the device directly to the PCB rather than using a socket.
- For slow-moving input signals, take care to prevent parasitic feedback. A small capacitor (1000 pF or less) placed between the inputs can help eliminate oscillations in the transition region. This capacitor causes some degradation to propagation delay when the impedance is low. Run the topside ground plane between the output and inputs.
- Run the ground pin ground trace under the device up to the bypass capacitor, shielding the inputs from the outputs.

11.2 Layout Example



(Schematic Representation)

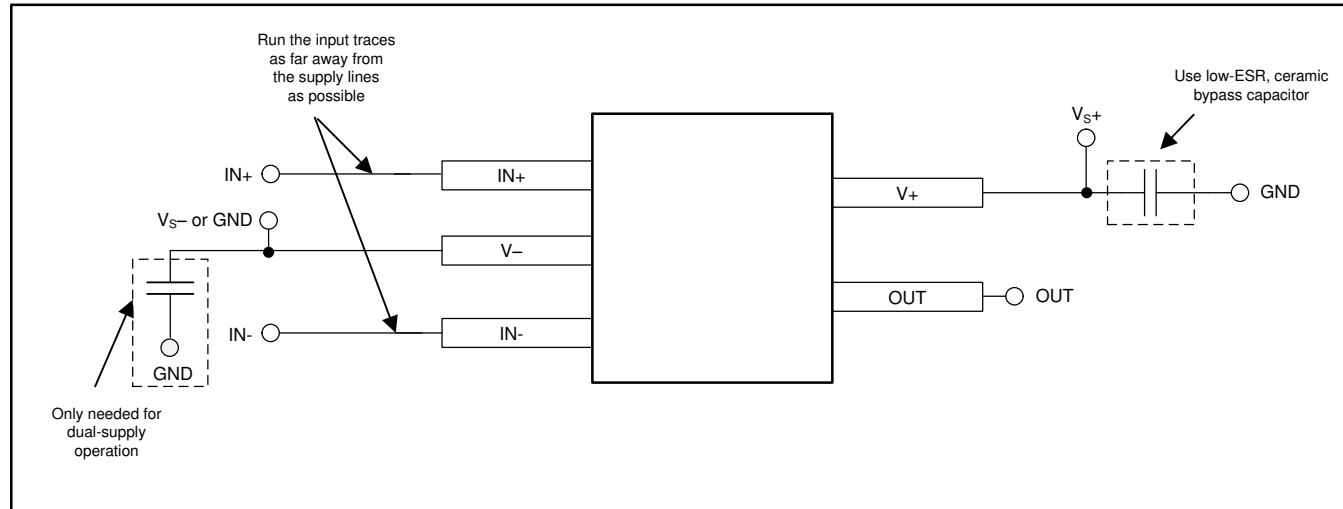


Figure 22. Comparator Board Layout

12 Device and Documentation Support

12.1 Documentation Support

12.1.1 Related Documentation

For related documentation, see the following:

- [Precision Design, Comparator with Hysteresis Reference Design, TIDU020](#)
- [REF33xx 3.9- \$\mu\$ A, SC70-3, SOT-23-3, and UQFN-8, 30-ppm/ \$^{\circ}\$ C Drift Voltage Reference, SBOS392](#)

12.2 Related Links

[Table 2](#) lists quick access links. Categories include technical documents, support and community resources, tools and software, and quick access to sample or buy.

Table 2. Related Links

| PARTS | PRODUCT FOLDER | SAMPLE & BUY | TECHNICAL DOCUMENTS | TOOLS & SOFTWARE | SUPPORT & COMMUNITY |
|------------|----------------------------|----------------------------|----------------------------|----------------------------|----------------------------|
| TLV1701-Q1 | Click here | Click here | Click here | Click here | Click here |
| TLV1702-Q1 | Click here | Click here | Click here | Click here | Click here |
| TLV1704-Q1 | Click here | Click here | Click here | Click here | Click here |

12.3 Receiving Notification of Documentation Updates

To receive notification of documentation updates, navigate to the device product folder on ti.com. In the upper right corner, click on *Alert me* to register and receive a weekly digest of any product information that has changed. For change details, review the revision history included in any revised document.

12.4 Support Resources

[TI E2E™ support forums](#) are an engineer's go-to source for fast, verified answers and design help — straight from the experts. Search existing answers or ask your own question to get the quick design help you need.

Linked content is provided "AS IS" by the respective contributors. They do not constitute TI specifications and do not necessarily reflect TI's views; see TI's [Terms of Use](#).

12.5 Trademarks

E2E is a trademark of Texas Instruments.

All other trademarks are the property of their respective owners.

12.6 Electrostatic Discharge Caution



This integrated circuit can be damaged by ESD. Texas Instruments recommends that all integrated circuits be handled with appropriate precautions. Failure to observe proper handling and installation procedures can cause damage.

ESD damage can range from subtle performance degradation to complete device failure. Precision integrated circuits may be more susceptible to damage because very small parametric changes could cause the device not to meet its published specifications.

12.7 Glossary

[SLYZ022](#) — *TI Glossary*.

This glossary lists and explains terms, acronyms, and definitions.

13 Mechanical, Packaging, and Orderable Information

The following pages include mechanical packaging and orderable information. This information is the most current data available for the designated devices. This data is subject to change without notice and revision of this document. For browser-based versions of this data sheet, refer to the left-hand navigation.

PACKAGING INFORMATION

| Orderable part number | Status (1) | Material type (2) | Package Pins | Package qty Carrier | RoHS (3) | Lead finish/ Ball material (4) | MSL rating/ Peak reflow (5) | Op temp (°C) | Part marking (6) |
|---------------------------------|---------------|----------------------|------------------|-----------------------|-------------|--------------------------------------|-----------------------------------|--------------|---------------------|
| TLV1701AQDCKRQ1 | Active | Production | SC70 (DCK) 5 | 3000 LARGE T&R | Yes | NIPDAU SN | Level-2-260C-1 YEAR | -40 to 125 | 1FG |
| TLV1701AQDCKRQ1.B | Active | Production | SC70 (DCK) 5 | 3000 LARGE T&R | Yes | NIPDAU | Level-2-260C-1 YEAR | -40 to 125 | 1FG |
| TLV1701QDBVRQ1 | Active | Production | SOT-23 (DBV) 5 | 3000 LARGE T&R | Yes | NIPDAU | Level-2-260C-1 YEAR | -40 to 125 | 1701 |
| TLV1701QDBVRQ1.B | Active | Production | SOT-23 (DBV) 5 | 3000 LARGE T&R | Yes | NIPDAU | Level-2-260C-1 YEAR | -40 to 125 | 1701 |
| TLV1702AQDGKRQ1 | Active | Production | VSSOP (DGK) 8 | 2500 LARGE T&R | Yes | NIPDAU NIPDAUAG | Level-2-260C-1 YEAR | -40 to 125 | 1702Q |
| TLV1702AQDGKRQ1.B | Active | Production | VSSOP (DGK) 8 | 2500 LARGE T&R | Yes | NIPDAUAG | Level-2-260C-1 YEAR | -40 to 125 | 1702Q |
| TLV1704AQPWRQ1 | Active | Production | TSSOP (PW) 14 | 2000 LARGE T&R | Yes | NIPDAU | Level-2-260C-1 YEAR | -40 to 125 | T1704Q1 |
| TLV1704AQPWRQ1.B | Active | Production | TSSOP (PW) 14 | 2000 LARGE T&R | Yes | NIPDAU | Level-2-260C-1 YEAR | -40 to 125 | T1704Q1 |

(1) **Status:** For more details on status, see our [product life cycle](#).

(2) **Material type:** When designated, preproduction parts are prototypes/experimental devices, and are not yet approved or released for full production. Testing and final process, including without limitation quality assurance, reliability performance testing, and/or process qualification, may not yet be complete, and this item is subject to further changes or possible discontinuation. If available for ordering, purchases will be subject to an additional waiver at checkout, and are intended for early internal evaluation purposes only. These items are sold without warranties of any kind.

(3) **RoHS values:** Yes, No, RoHS Exempt. See the [TI RoHS Statement](#) for additional information and value definition.

(4) **Lead finish/Ball material:** Parts may have multiple material finish options. Finish options are separated by a vertical ruled line. Lead finish/Ball material values may wrap to two lines if the finish value exceeds the maximum column width.

(5) **MSL rating/Peak reflow:** The moisture sensitivity level ratings and peak solder (reflow) temperatures. In the event that a part has multiple moisture sensitivity ratings, only the lowest level per JEDEC standards is shown. Refer to the shipping label for the actual reflow temperature that will be used to mount the part to the printed circuit board.

(6) **Part marking:** There may be an additional marking, which relates to the logo, the lot trace code information, or the environmental category of the part.

Multiple part markings will be inside parentheses. Only one part marking contained in parentheses and separated by a "-" will appear on a part. If a line is indented then it is a continuation of the previous line and the two combined represent the entire part marking for that device.

Important Information and Disclaimer:The information provided on this page represents TI's knowledge and belief as of the date that it is provided. TI bases its knowledge and belief on information provided by third parties, and makes no representation or warranty as to the accuracy of such information. Efforts are underway to better integrate information from third parties. TI has taken and continues to take reasonable steps to provide representative and accurate information but may not have conducted destructive testing or chemical analysis on incoming materials and chemicals. TI and TI suppliers consider certain information to be proprietary, and thus CAS numbers and other limited information may not be available for release.

In no event shall TI's liability arising out of such information exceed the total purchase price of the TI part(s) at issue in this document sold by TI to Customer on an annual basis.

OTHER QUALIFIED VERSIONS OF TLV1701-Q1, TLV1702-Q1, TLV1704-Q1 :

- Catalog : [TLV1701](#), [TLV1702](#), [TLV1704](#)

NOTE: Qualified Version Definitions:

- Catalog - TI's standard catalog product

TAPE AND REEL INFORMATION

QUADRANT ASSIGNMENTS FOR PIN 1 ORIENTATION IN TAPE


*All dimensions are nominal

| Device | Package Type | Package Drawing | Pins | SPQ | Reel Diameter (mm) | Reel Width W1 (mm) | A0 (mm) | B0 (mm) | K0 (mm) | P1 (mm) | W (mm) | Pin1 Quadrant |
|-----------------|--------------|-----------------|------|------|--------------------|--------------------|---------|---------|---------|---------|--------|---------------|
| TLV1701AQDCKRQ1 | SC70 | DCK | 5 | 3000 | 180.0 | 8.4 | 2.3 | 2.5 | 1.2 | 4.0 | 8.0 | Q3 |
| TLV1701QDBVRQ1 | SOT-23 | DBV | 5 | 3000 | 180.0 | 8.4 | 3.2 | 3.2 | 1.4 | 4.0 | 8.0 | Q3 |
| TLV1702AQDGKRQ1 | VSSOP | DGK | 8 | 2500 | 330.0 | 12.4 | 5.3 | 3.4 | 1.4 | 8.0 | 12.0 | Q1 |
| TLV1704AQPWRQ1 | TSSOP | PW | 14 | 2000 | 330.0 | 12.4 | 6.9 | 5.6 | 1.6 | 8.0 | 12.0 | Q1 |

TAPE AND REEL BOX DIMENSIONS



*All dimensions are nominal

| Device | Package Type | Package Drawing | Pins | SPQ | Length (mm) | Width (mm) | Height (mm) |
|-----------------|--------------|-----------------|------|------|-------------|------------|-------------|
| TLV1701AQDCKRQ1 | SC70 | DCK | 5 | 3000 | 210.0 | 185.0 | 35.0 |
| TLV1701QDBVRQ1 | SOT-23 | DBV | 5 | 3000 | 210.0 | 185.0 | 35.0 |
| TLV1702AQDGKRQ1 | VSSOP | DGK | 8 | 2500 | 353.0 | 353.0 | 32.0 |
| TLV1704AQPWRQ1 | TSSOP | PW | 14 | 2000 | 353.0 | 353.0 | 32.0 |

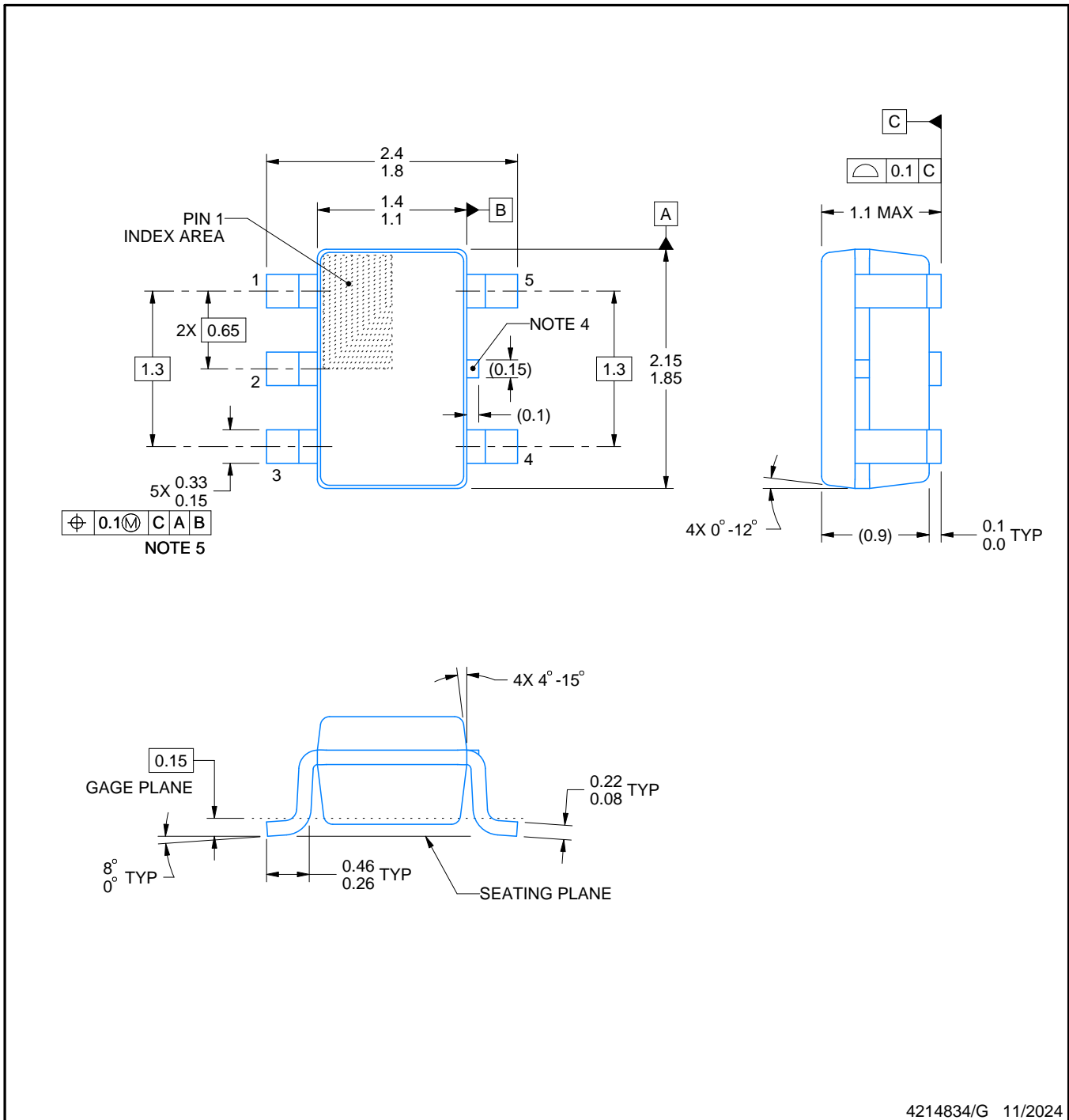
DCK0005A



PACKAGE OUTLINE

SOT - 1.1 max height

SMALL OUTLINE TRANSISTOR



4214834/G 11/2024

NOTES:

1. All linear dimensions are in millimeters. Any dimensions in parenthesis are for reference only. Dimensioning and tolerancing per ASME Y14.5M.
2. This drawing is subject to change without notice.
3. Reference JEDEC MO-203.
4. Support pin may differ or may not be present.
5. Lead width does not comply with JEDEC.
6. Body dimensions do not include mold flash, protrusions, or gate burrs. Mold flash, protrusions, or gate burrs shall not exceed 0.25mm per side

EXAMPLE BOARD LAYOUT

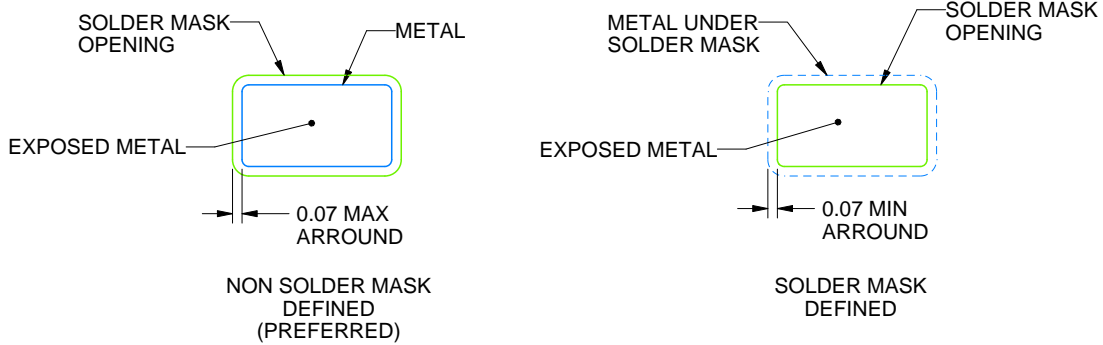
DCK0005A

SOT - 1.1 max height

SMALL OUTLINE TRANSISTOR



LAND PATTERN EXAMPLE
EXPOSED METAL SHOWN
SCALE:18X



SOLDER MASK DETAILS

4214834/G 11/2024

NOTES: (continued)

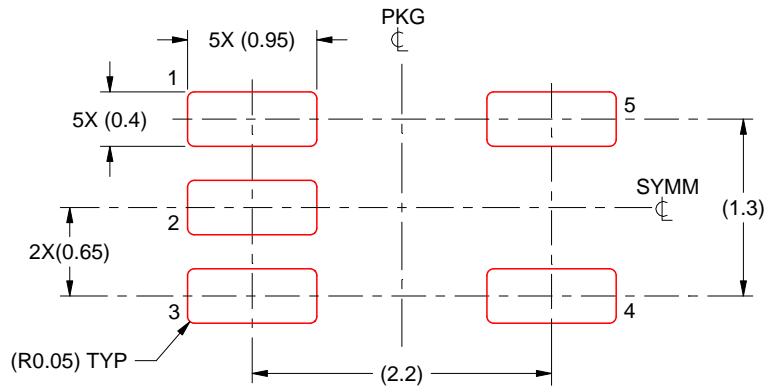
- 7. Publication IPC-7351 may have alternate designs.
- 8. Solder mask tolerances between and around signal pads can vary based on board fabrication site.

EXAMPLE STENCIL DESIGN

DCK0005A

SOT - 1.1 max height

SMALL OUTLINE TRANSISTOR



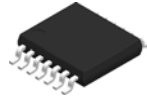
SOLDER PASTE EXAMPLE
BASED ON 0.125 THICK STENCIL
SCALE: 18X

4214834/G 11/2024

NOTES: (continued)

9. Laser cutting apertures with trapezoidal walls and rounded corners may offer better paste release. IPC-7525 may have alternate design recommendations.
10. Board assembly site may have different recommendations for stencil design.

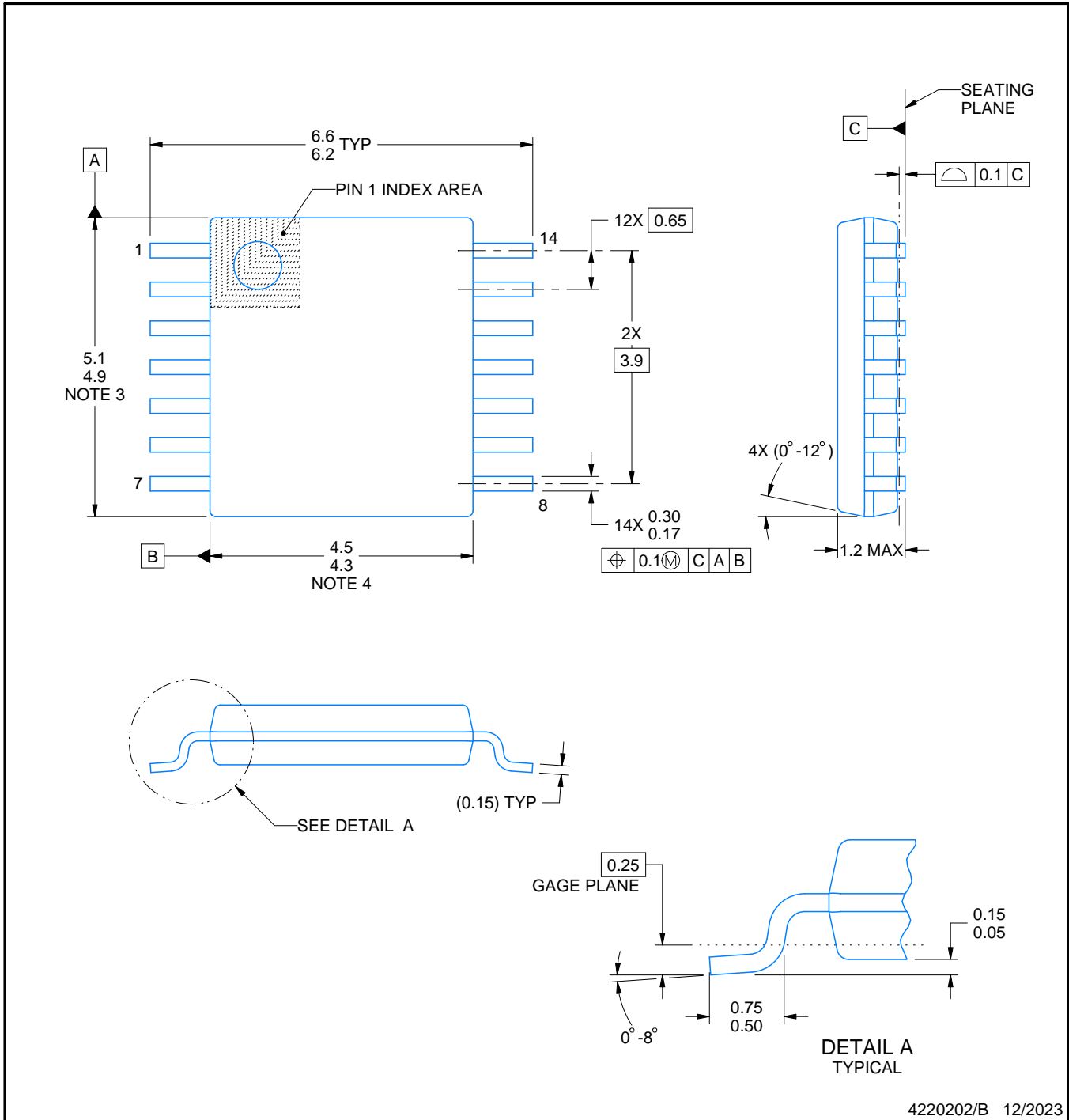
PW0014A



PACKAGE OUTLINE

TSSOP - 1.2 mm max height

SMALL OUTLINE PACKAGE



4220202/B 12/2023

NOTES:

1. All linear dimensions are in millimeters. Any dimensions in parenthesis are for reference only. Dimensioning and tolerancing per ASME Y14.5M.
2. This drawing is subject to change without notice.
3. This dimension does not include mold flash, protrusions, or gate burrs. Mold flash, protrusions, or gate burrs shall not exceed 0.15 mm per side.
4. This dimension does not include interlead flash. Interlead flash shall not exceed 0.25 mm per side.
5. Reference JEDEC registration MO-153.

EXAMPLE BOARD LAYOUT

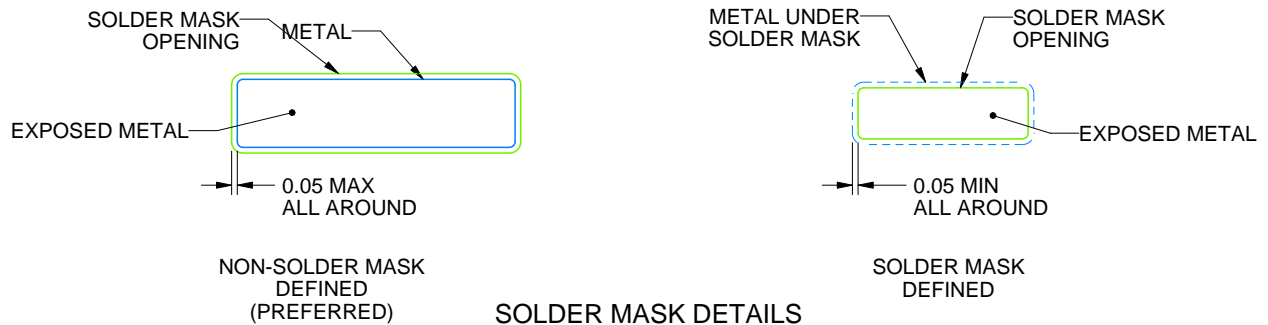
PW0014A

TSSOP - 1.2 mm max height

SMALL OUTLINE PACKAGE



LAND PATTERN EXAMPLE
EXPOSED METAL SHOWN
SCALE: 10X



4220202/B 12/2023

NOTES: (continued)

- 6. Publication IPC-7351 may have alternate designs.
- 7. Solder mask tolerances between and around signal pads can vary based on board fabrication site.

EXAMPLE STENCIL DESIGN

PW0014A

TSSOP - 1.2 mm max height

SMALL OUTLINE PACKAGE



SOLDER PASTE EXAMPLE
BASED ON 0.125 mm THICK STENCIL
SCALE: 10X

4220202/B 12/2023

NOTES: (continued)

8. Laser cutting apertures with trapezoidal walls and rounded corners may offer better paste release. IPC-7525 may have alternate design recommendations.
9. Board assembly site may have different recommendations for stencil design.

EXAMPLE BOARD LAYOUT

DBV0005A

SOT-23 - 1.45 mm max height

SMALL OUTLINE TRANSISTOR



LAND PATTERN EXAMPLE
EXPOSED METAL SHOWN
SCALE:15X



SOLDER MASK DETAILS

4214839/K 08/2024

NOTES: (continued)

- 6. Publication IPC-7351 may have alternate designs.
- 7. Solder mask tolerances between and around signal pads can vary based on board fabrication site.

EXAMPLE STENCIL DESIGN

DBV0005A

SOT-23 - 1.45 mm max height

SMALL OUTLINE TRANSISTOR



SOLDER PASTE EXAMPLE
BASED ON 0.125 mm THICK STENCIL
SCALE:15X

4214839/K 08/2024

NOTES: (continued)

8. Laser cutting apertures with trapezoidal walls and rounded corners may offer better paste release. IPC-7525 may have alternate design recommendations.
9. Board assembly site may have different recommendations for stencil design.

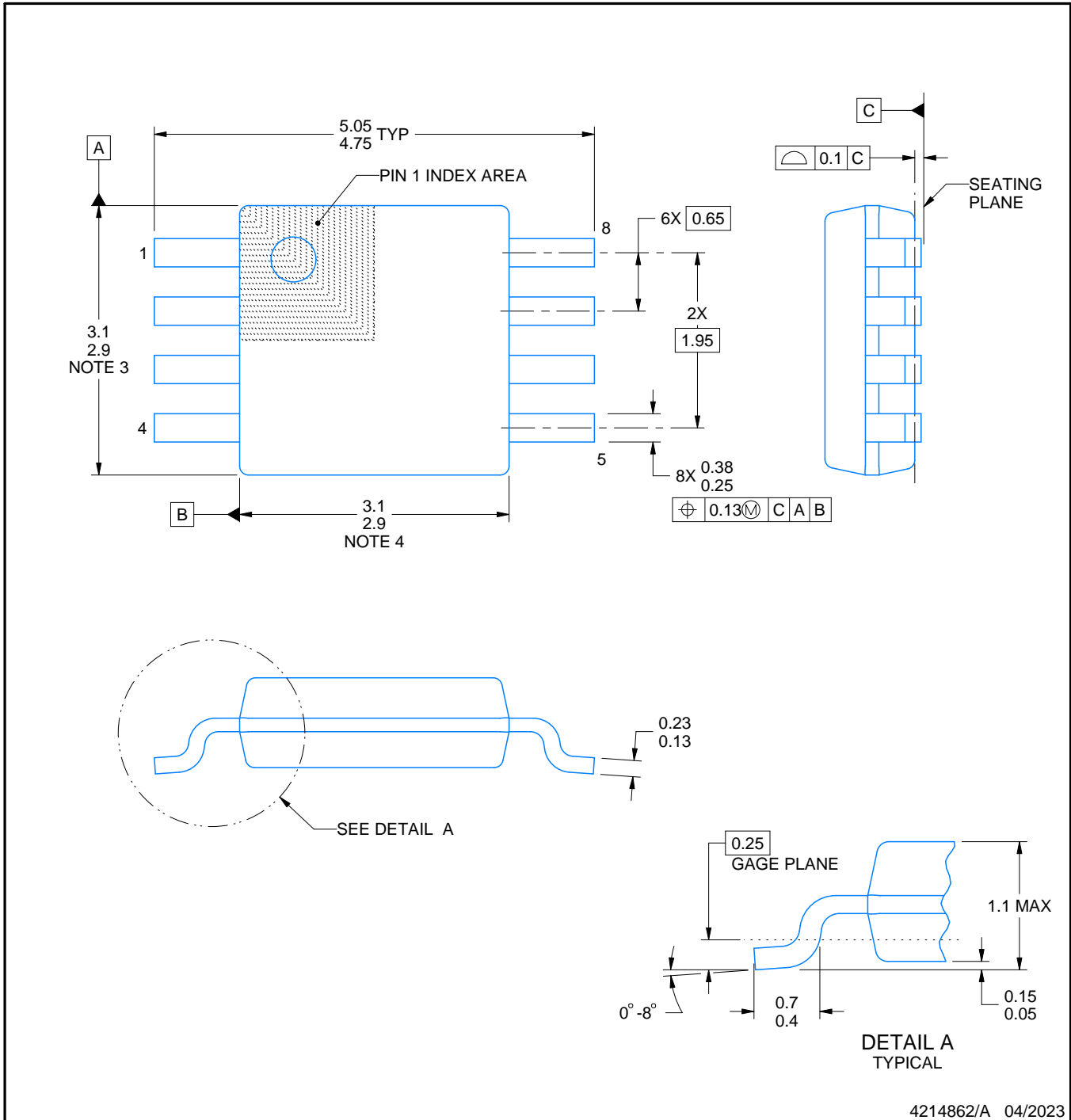
DGK0008A



PACKAGE OUTLINE

VSSOP - 1.1 mm max height

SMALL OUTLINE PACKAGE



4214862/A 04/2023

NOTES:

PowerPAD is a trademark of Texas Instruments.

1. All linear dimensions are in millimeters. Any dimensions in parenthesis are for reference only. Dimensioning and tolerancing per ASME Y14.5M.
2. This drawing is subject to change without notice.
3. This dimension does not include mold flash, protrusions, or gate burrs. Mold flash, protrusions, or gate burrs shall not exceed 0.15 mm per side.
4. This dimension does not include interlead flash. Interlead flash shall not exceed 0.25 mm per side.
5. Reference JEDEC registration MO-187.

EXAMPLE BOARD LAYOUT

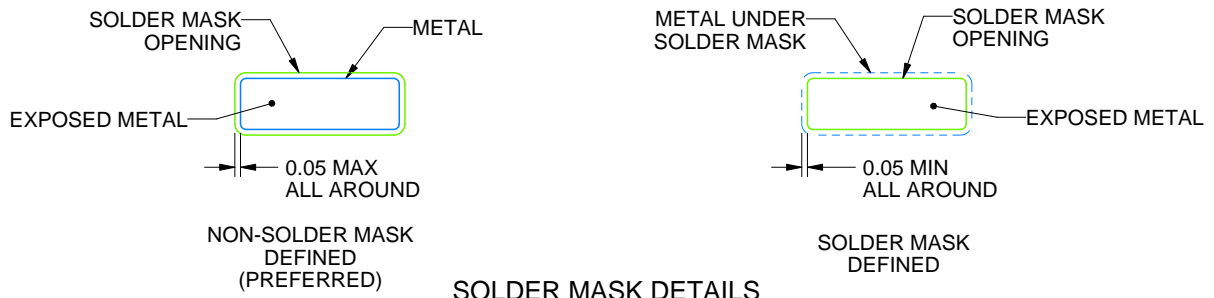
DGK0008A

™ VSSOP - 1.1 mm max height

SMALL OUTLINE PACKAGE



LAND PATTERN EXAMPLE
EXPOSED METAL SHOWN
SCALE: 15X



SOLDER MASK DETAILS

4214862/A 04/2023

NOTES: (continued)

6. Publication IPC-7351 may have alternate designs.
7. Solder mask tolerances between and around signal pads can vary based on board fabrication site.
8. Vias are optional depending on application, refer to device data sheet. If any vias are implemented, refer to their locations shown on this view. It is recommended that vias under paste be filled, plugged or tented.
9. Size of metal pad may vary due to creepage requirement.

EXAMPLE STENCIL DESIGN

DGK0008A

™ VSSOP - 1.1 mm max height

SMALL OUTLINE PACKAGE



SOLDER PASTE EXAMPLE
SCALE: 15X

4214862/A 04/2023

NOTES: (continued)

11. Laser cutting apertures with trapezoidal walls and rounded corners may offer better paste release. IPC-7525 may have alternate design recommendations.
12. Board assembly site may have different recommendations for stencil design.

IMPORTANT NOTICE AND DISCLAIMER

TI PROVIDES TECHNICAL AND RELIABILITY DATA (INCLUDING DATASHEETS), DESIGN RESOURCES (INCLUDING REFERENCE DESIGNS), APPLICATION OR OTHER DESIGN ADVICE, WEB TOOLS, SAFETY INFORMATION, AND OTHER RESOURCES "AS IS" AND WITH ALL FAULTS, AND DISCLAIMS ALL WARRANTIES, EXPRESS AND IMPLIED, INCLUDING WITHOUT LIMITATION ANY IMPLIED WARRANTIES OF MERCHANTABILITY, FITNESS FOR A PARTICULAR PURPOSE OR NON-INFRINGEMENT OF THIRD PARTY INTELLECTUAL PROPERTY RIGHTS.

These resources are intended for skilled developers designing with TI products. You are solely responsible for (1) selecting the appropriate TI products for your application, (2) designing, validating and testing your application, and (3) ensuring your application meets applicable standards, and any other safety, security, regulatory or other requirements.

These resources are subject to change without notice. TI grants you permission to use these resources only for development of an application that uses the TI products described in the resource. Other reproduction and display of these resources is prohibited. No license is granted to any other TI intellectual property right or to any third party intellectual property right. TI disclaims responsibility for, and you fully indemnify TI and its representatives against any claims, damages, costs, losses, and liabilities arising out of your use of these resources.

TI's products are provided subject to [TI's Terms of Sale](#), [TI's General Quality Guidelines](#), or other applicable terms available either on ti.com or provided in conjunction with such TI products. TI's provision of these resources does not expand or otherwise alter TI's applicable warranties or warranty disclaimers for TI products. Unless TI explicitly designates a product as custom or customer-specified, TI products are standard, catalog, general purpose devices.

TI objects to and rejects any additional or different terms you may propose.

Copyright © 2025, Texas Instruments Incorporated

Last updated 10/2025