

4.5-V TO 60-V WIDE-INPUT SYNCHRONOUS PWM BUCK CONTROLLER

Check for Samples: [TPS40170-EP](#)

FEATURES

- Wide-Input Voltage Range from 4.5 V to 60 V
- 600-mV Reference Voltage With 1% Accuracy
- Programmable UVLO and Hysteresis
- Voltage-Mode Control With Voltage Feed-Forward
- Programmable Frequency Between 100 kHz and 600 kHz
- Bidirectional Frequency Synchronization With Master/Slave Option
- Low-Side FET Sensing Overcurrent Protection and High-Side FET Sensing Short-Circuit Protection With Integrated Thermal Compensation
- Programmable Closed-Loop Soft-Start
- Supports Pre-Biased Outputs
- Thermal Shutdown at 165°C With Hysteresis
- Voltage Tracking
- Power Good
- ENABLE With 1- μ A Low-Current Shutdown
- 8-V and 3.3-V LDO Output
- Integrated Bootstrap Diode
- 20-Pin 3.5-mm \times 4.5-mm QFN (RGY) Package

APPLICATIONS

- POL Modules
- Wide Input Voltage, High-Power-Density DC/DC Converter

SUPPORTS DEFENSE, AEROSPACE, AND MEDICAL APPLICATIONS

- Controlled Baseline
- One Assembly and Test Site
- One Fabrication Site
- Available in Military (-55°C to 125°C) Temperature Range
- Extended Product Life Cycle
- Extended Product-Change Notification
- Product Traceability

DESCRIPTION

TPS40170 is a full-featured, synchronous PWM buck controller that operates at an input voltage between 4.5 V and 60 V and is optimized for high-power-density, high-reliability dc-dc converter applications. The controller implements voltage-mode control with input-voltage feed-forward compensation that enables instant response to an input voltage change. The switching frequency is programmable from 100 kHz to 600 kHz.

The TPS40170 has a complete set of system protection and monitoring features such as programmable UVLO, programmable overcurrent protection (OCP) by sensing the low-side FET, selectable short-circuit protection (SCP) by sensing the high-side FET, and thermal shutdown. The ENABLE pin allows for system shutdown in a low-current (1- μ A typical) mode. The controller supports pre-biased output, provides an open-drain PGOOD signal, and has closed-loop soft-start, output-voltage tracking, and adaptive dead-time control.

TPS40170 provides accurate output-voltage regulation within 1% accuracy. Additionally, the controller implements a novel scheme of bidirectional synchronization with one controller acting as the master and other downstream controllers acting as slaves, synchronized to the master in-phase or 180° out-of-phase. Slave controllers can be synchronized to an external clock within $\pm 30\%$ of the free-running switching frequency.



Please be aware that an important notice concerning availability, standard warranty, and use in critical applications of Texas Instruments semiconductor products and disclaimers thereto appears at the end of this data sheet.

NexFET is a trademark of Texas Instruments.

PRODUCTION DATA information is current as of publication date. Products conform to specifications per the terms of the Texas Instruments standard warranty. Production processing does not necessarily include testing of all parameters.

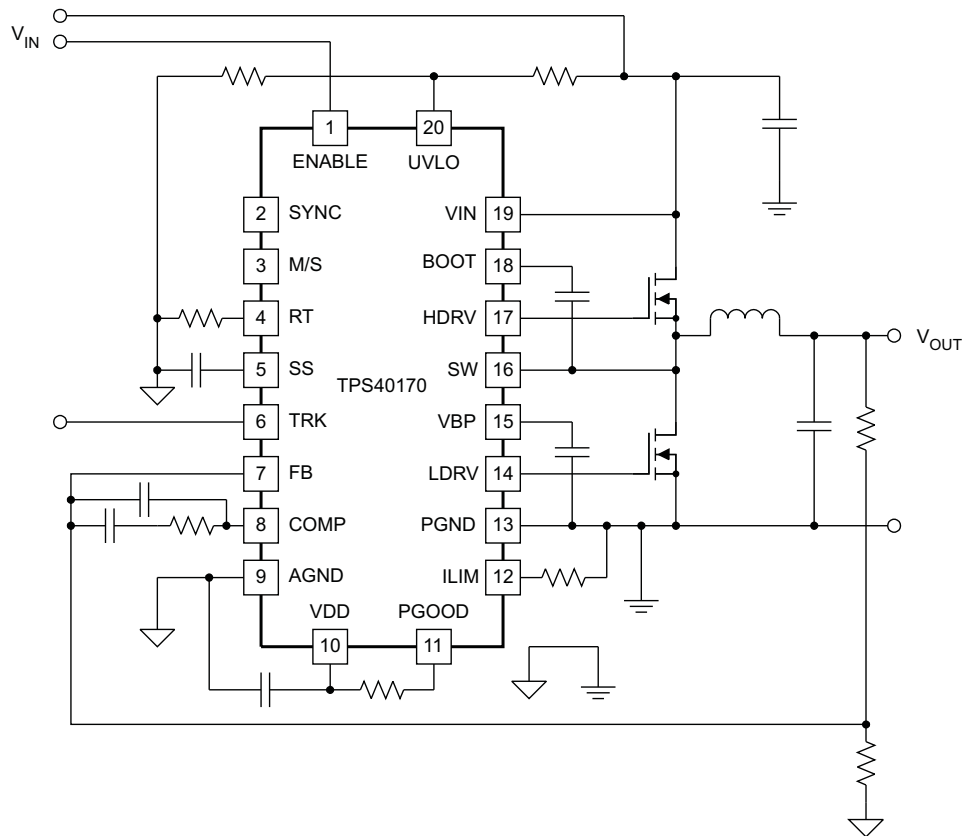
Copyright © 2013, Texas Instruments Incorporated

TPS40170-EP

SLVSBT7A – MARCH 2013 – REVISED APRIL 2013

www.ti.com

SIMPLIFIED APPLICATION



UDG-09219



This integrated circuit can be damaged by ESD. Texas Instruments recommends that all integrated circuits be handled with appropriate precautions. Failure to observe proper handling and installation procedures can cause damage.

ESD damage can range from subtle performance degradation to complete device failure. Precision integrated circuits may be more susceptible to damage because very small parametric changes could cause the device not to meet its published specifications.

ORDERING INFORMATION⁽¹⁾

T _J	PACKAGE	PINS	TRANSPORT MEDIA	QUANTITY	DEVICE NUMBER	TOP-SIDE MARKING	VID NUMBER
-55°C to 125°C	QFN	20	Tape and reel	250	TPS40170MRGYTEP	PZYM	V62/13607-01XE

(1) For the most current package and ordering information see the *Package Option Addendum* at the end of this document, or see the TI web site at www.ti.com.

ABSOLUTE MAXIMUM RATINGS⁽¹⁾

over operating free-air temperature range (unless otherwise noted)

		VALUE		
		MIN	MAX	UNIT
Input voltage	V _{IN}	-0.3	62	V
	M/S	-0.3	V _{IN}	
	UVLO	-0.3	16	
	SW	-5	V _{IN}	
	BOOT		V _{SW} + 8.8	
Output voltage	HDRV	V _{SW}	BOOT	V
	BOOT-SW, HDRV-SW (differential from BOOT or HDRV to SW)	-0.3	8.8	
	VBP, LDRV, COMP, RT, ENABLE, PGOOD, SYNC	-0.3	8.8	
	VDD, FB, TRK, SS, ILIM	-0.3	3.6	
Grounding	AGND-PGND, PGND-AGND	-200	200	mV
	PowerPAD to AGND (must be electrically connected external to device)		0	
Electrostatic discharge (ESD)	Human-body model (HBM)		1	kV
	Charged-device model (CDM)		1	kV
Absolute maximum junction temperature	T _J	-55	125	°C
Storage temperature	T _{stg}	-55	150	°C

- (1) Stresses beyond those listed under *Absolute Maximum Ratings* may cause permanent damage to the device. These are stress ratings only, and functional operation of the device at these or any other conditions beyond those included under *Recommended Operating Conditions* is not implied. Exposure to absolute-maximum-rated conditions for extended periods of time may affect device reliability.

THERMAL INFORMATION

THERMAL METRIC ⁽¹⁾		TPS40170-EP	UNITS
		RGY	
		20 PINS	
θ _{JA}	Junction-to-ambient thermal resistance ⁽²⁾	35.4	°C/W
θ _{JCtop}	Junction-to-case (top) thermal resistance ⁽³⁾	38.1	
θ _{JB}	Junction-to-board thermal resistance ⁽⁴⁾	10.8	
ψ _{JT}	Junction-to-top characterization parameter ⁽⁵⁾	0.5	
ψ _{JB}	Junction-to-board characterization parameter ⁽⁶⁾	10.9	
θ _{JCbot}	Junction-to-case (bottom) thermal resistance ⁽⁷⁾	4.3	

- (1) For more information about traditional and new thermal metrics, see the *IC Package Thermal Metrics* application report, [SPRA953](#).
 (2) The junction-to-ambient thermal resistance under natural convection is obtained in a simulation on a JEDEC-standard, high-K board, as specified in JESD51-7, in an environment described in JESD51-2a.
 (3) The junction-to-case (top) thermal resistance is obtained by simulating a cold plate test on the package top. No specific JEDEC-standard test exists, but a close description can be found in the ANSI SEMI standard G30-88.
 (4) The junction-to-board thermal resistance is obtained by simulating in an environment with a ring cold plate fixture to control the PCB temperature, as described in JESD51-8.
 (5) The junction-to-top characterization parameter, ψ_{JT}, estimates the junction temperature of a device in a real system and is extracted from the simulation data for obtaining θ_{JA}, using a procedure described in JESD51-2a (sections 6 and 7).
 (6) The junction-to-board characterization parameter, ψ_{JB}, estimates the junction temperature of a device in a real system and is extracted from the simulation data for obtaining θ_{JA}, using a procedure described in JESD51-2a (sections 6 and 7).
 (7) The junction-to-case (bottom) thermal resistance is obtained by simulating a cold plate test on the exposed (power) pad. No specific JEDEC standard test exists, but a close description can be found in the ANSI SEMI standard G30-88.

RECOMMENDED OPERATING CONDITIONS

over operating free-air temperature range (unless otherwise noted)

		MIN	NOM	MAX	UNIT
V _{IN}	Input voltage	4.5		60	V

TPS40170-EP

SLVSBT7A – MARCH 2013 – REVISED APRIL 2013

www.ti.com

ELECTRICAL CHARACTERISTICS

 These specifications apply for $-55^{\circ}\text{C} \leq T_J \leq +125^{\circ}\text{C}$, $V_{\text{VIN}} = 12\text{ V}$, unless otherwise noted.

PARAMETER		TEST CONDITIONS	MIN	TYP	MAX	UNIT
INPUT SUPPLY						
V_{VIN}	Input voltage range		4.5		60	V
I_{SD}	Shutdown current	$V_{\text{ENABLE}} < 100\text{ mV}$		1	2.5	μA
I_{QQ}	Operating current, drivers not switching	$V_{\text{ENABLE}} \geq 2\text{ V}$, $f_{\text{SW}} = 300\text{ kHz}$			4.5	mA
ENABLE						
V_{DIS}	ENABLE pin voltage to disable the device				100	mV
V_{EN}	ENABLE pin voltage to enable the device		600			mV
I_{ENABLE}	ENABLE pin source current				410	nA
8-V AND 3.3-V REGULATORS						
V_{VBP}	8-V regulator output voltage	$V_{\text{ENABLE}} \geq 2\text{ V}$, $8.2\text{ V} < V_{\text{VIN}} \leq 60\text{ V}$, $0\text{ mA} < I_{\text{IN}} < 20\text{ mA}$	7.8	8.0	8.35	V
V_{DO}	8-V regulator dropout voltage, $V_{\text{VIN-VVBP}}$	$4.5 < V_{\text{VIN}} \leq 8.2\text{ V}$, $V_{\text{EN}} \geq 2\text{ V}$, $I_{\text{IN}} = 10\text{ mA}$		110	210	mV
V_{VDD}	3.3-V regulator output voltage	$V_{\text{ENABLE}} \geq 2\text{ V}$, $4.5\text{ V} < V_{\text{VIN}} \leq 60\text{ V}$, $0\text{ mA} < I_{\text{IN}} < 5\text{ mA}$	3.2	3.3	3.42	V
FIXED AND PROGRAMMABLE UVLO						
V_{UVLO}	Programmable UVLO ON voltage (at UVLO pin)	$V_{\text{ENABLE}} \geq 2\text{ V}$	878	900	920	mV
I_{UVLO}	Hysteresis current out of UVLO pin	$V_{\text{ENABLE}} \geq 2\text{ V}$, UVLO pin $> V_{\text{UVLO}}$	4	5	6.2	μA
V_{BPON}	VBP turnon voltage	$V_{\text{ENABLE}} \geq 2\text{ V}$, UVLO pin $> V_{\text{UVLO}}$	3.8		4.4	V
V_{BPOFF}	VBP turnoff voltage		3.55		4.1	
V_{BPHYS}	VBP UVLO Hysteresis voltage		175		400	
REFERENCE						
V_{REF}	Reference voltage (+ input of the error amplifier)	$T_J = 25^{\circ}\text{C}$, $4.5\text{ V} < V_{\text{VIN}} \leq 60\text{ V}$	594	600	606	mV
		$-55^{\circ}\text{C} \leq T_J \leq 125^{\circ}\text{C}$, $4.5\text{ V} < V_{\text{VIN}} \leq 60\text{ V}$	585	600	610	
OSCILLATOR						
f_{SW}	Switching frequency	Range (typical)	100		600	kHz
		$R_{\text{RT}} = 100\text{ k}\Omega$, $4.5\text{ V} < V_{\text{VIN}} \leq 60\text{ V}$	85	100	115	
		$R_{\text{RT}} = 31.6\text{ k}\Omega$, $4.5\text{ V} < V_{\text{VIN}} \leq 60\text{ V}$	270	300	335	
		$R_{\text{RT}} = 14.3\text{ k}\Omega$, $4.5\text{ V} < V_{\text{VIN}} \leq 60\text{ V}$	540	600	670	
V_{VALLEY}	Valley voltage		0.7	1	1.25	V
K_{PWM}	PWM gain ($V_{\text{VIN}} / V_{\text{RAMP}}$)	$4.5\text{ V} < V_{\text{VIN}} \leq 60\text{ V}$	14	15	16	V/V
PWM AND DUTY CYCLE						
$t_{\text{ON(min)}}$	Minimum controlled pulse	$V_{\text{VIN}} = 4.5\text{ V}$, $f_{\text{SW}} = 300\text{ kHz}$		100	160	ns
		$V_{\text{VIN}} = 12\text{ V}$, $f_{\text{SW}} = 300\text{ kHz}$		75	130	
		$V_{\text{VIN}} = 60\text{ V}$, $f_{\text{SW}} = 300\text{ kHz}$		50	80	
$t_{\text{OFF(max)}}$	Minimum OFF time	$V_{\text{VIN}} = 12\text{ V}$, $f_{\text{SW}} = 300\text{ kHz}$		170	250	ns
D_{MAX}	Maximum duty cycle	$f_{\text{SW}} = 100\text{ kHz}$, $4.5\text{ V} < V_{\text{VIN}} \leq 60\text{ V}$	95%			
		$f_{\text{SW}} = 300\text{ kHz}$, $4.5\text{ V} < V_{\text{VIN}} \leq 60\text{ V}$	90%			
		$f_{\text{SW}} = 600\text{ kHz}$, $4.5\text{ V} < V_{\text{VIN}} \leq 60\text{ V}$	82%			

ELECTRICAL CHARACTERISTICS (continued)

 These specifications apply for $-55^{\circ}\text{C} \leq T_J \leq +125^{\circ}\text{C}$, $V_{\text{VIN}} = 12\text{ V}$, unless otherwise noted.

PARAMETER		TEST CONDITIONS	MIN	TYP	MAX	UNIT
ERROR AMPLIFIER						
GBWP ⁽¹⁾	Gain bandwidth product		7	10	13	MHz
A _{OL} ⁽¹⁾	Open-loop gain		80	90	95	dB
I _{IB}	Input bias current				135	nA
I _{EAOP}	Output source current	V _{VFB} = 0 V	1.8			mA
I _{EAOM}	Output sink current	V _{VFB} = 1 V	1.9			mA
PROGRAMMABLE SOFT START						
I _{SS(source,start)}	Soft-start source current at V _{SS} < 0.5 V	V _{SS} = 0.25 V	42	52	62	μA
I _{SS(source,normal)}	Soft-start source current at V _{SS} > 0.5 V	V _{SS} = 1.5 V	9.2	11.6	13.9	μA
I _{SS(sink)}	Soft-start sink current	V _{SS} = 1.5 V	0.7	1.05	1.36	μA
V _{SS(fttH)}	SS pin HIGH voltage during fault (OC or thermal) reset timing		2.38	2.5	2.65	V
V _{SS(fttL)}	SS pin LOW voltage during fault (OC or thermal) reset timing		235	300	375	mV
V _{SS(steady_state)}	SS pin voltage during steady-state		3.2	3.3	3.55	V
V _{SS(offst)}	Initial offset voltage from SS pin to error amplifier input		525	650	790	mV
TRACKING						
V _{TRK(ctrl)}	Range of TRK which overrides V _{REF}	4.5 V < V _{IN} ≤ 60 V	0		600	mV
SYNCHRONIZATION (MASTER/SLAVE)						
V _{MSTR}	M/S pin voltage in master mode		3.9		V _{IN}	V
V _{SLV(0)}	M/S pin voltage in slave 0° mode		1.26		1.74	V
V _{SLV(180)}	M/S pin voltage in slave 180° mode		0		0.74	V
I _{SYNC(in)}	SYNC pin pulldown current	M/S configured as slave- 0° or slave-180°	8	11	14.5	μA
V _{SYNC(in_high)}	SYNC pin input high-voltage level		2			V
V _{SYNC(in_low)}	SYNC pin input low-voltage level				0.8	V
t _{SYNC(high_min)}	Minimum SYNC high pulse duration		40			ns
t _{SYNC(low_min)}	Minimum SYNC low pulse duration		40			ns
GATE DRIVERS						
R _{HDHI}	High-side driver pullup resistance	C _{LOAD} = 2.2 nF, I _{DRV} = 300 mA, T _J = -55°C to 125°C	1.37	2.64	4	Ω
R _{HDLO}	High-side driver pulldown resistance		1	2.4	4	Ω
R _{LDHI}	Low-side driver pullup resistance		1.25	2.4	4	Ω
R _{LDLO}	Low-side driver pulldown resistance		0.44	1.1	1.7	Ω
t _{NON-OVERLAP1}	Time delay between HDRV fall and LDRV rise	C _{LOAD} = 2.2 nF, V _{HDRV} = 2 V, V _{LDRV} = 2 V		50		ns
t _{NON-OVERLAP2}	Time delay between HDRV rise and LDRV fall			60		
OVERCURRENT PROTECTION (LOW-SIDE MOSFET SENSING)						
I _{ILIM}	ILIM pin source current	4.5 V < V _{IN} < 60 V, T _J = 25°C	9	9.75	11	μA
		4.5 V < V _{IN} < 60 V, T _J = -55°C to 125°C	6.9		12	
I _{ILIM(ss)}	ILIM pin source current during soft-start	4.5 V < V _{IN} < 60 V, T _J = 25°C		15		μA
I _{ILIM, Tc}	Temperature coefficient of ILIM current	4.5 V < V _{IN} < 60 V		1400		ppm
V _{ILIM}	ILIM pin voltage operating range	4.5 V < V _{IN} < 60 V	50		300	mV
OCP _{TH}	Overcurrent protection threshold (voltage across low-side FET for detecting overcurrent)	R _{ILIM} = 10 kΩ, I _{ILIM} = 10 μA (V _{ILIM} = 100 mV)	-110	-100	-84	mV
SHORT CIRCUIT PROTECTION HIGH-SIDE MOSFET SENSING)						
V _{LDRV(max)}	LDRV pin maximum voltage during calibration	R _{LDRV} = open		300	360	mV
A _{OC3}	Multiplier factor to set the SCP based on OCP level setting at the ILIM pin	R _{LDRV} = 10 kΩ	2.75	3.2	3.6	V/V
A _{OC7}		R _{LDRV} = open	6.3	7.25	7.91	V/V
A _{OC15}		R _{LDRV} = 20 kΩ	13.5	16.4	18	V/V

 (1) Ensured by design at $-40^{\circ}\text{C} < T_J < 125^{\circ}\text{C}$, not production tested.

TPS40170-EP

SLVSBT7A –MARCH 2013–REVISED APRIL 2013

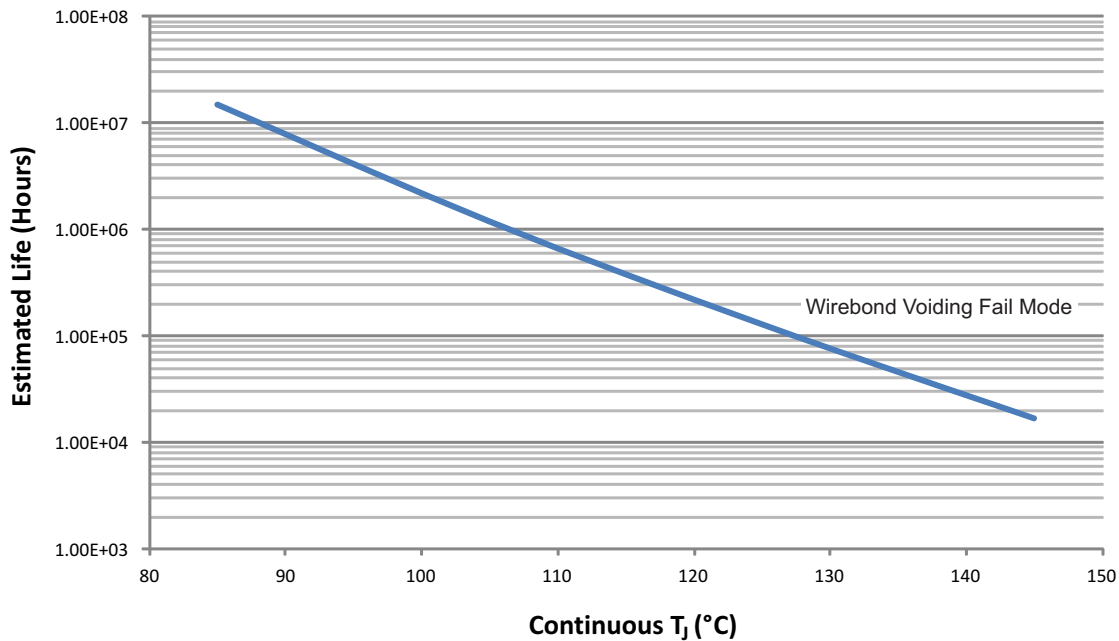
www.ti.com

ELECTRICAL CHARACTERISTICS (continued)

These specifications apply for $-55^{\circ}\text{C} \leq T_J \leq +125^{\circ}\text{C}$, $V_{VIN} = 12\text{ V}$, unless otherwise noted.

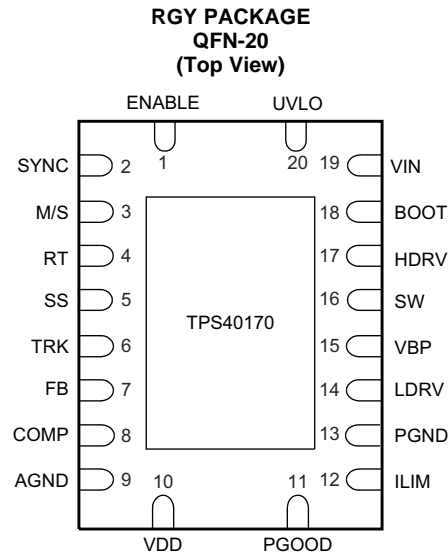
PARAMETER		TEST CONDITIONS	MIN	TYP	MAX	UNIT
THERMAL SHUTDOWN						
$T_{SD,set}^{(2)}$	Thermal shutdown set threshold	$4.5\text{ V} < V_{VIN} < 60\text{ V}$	155	165	175	$^{\circ}\text{C}$
$T_{SD,reset}^{(2)}$	Thermal shutdown reset threshold		125	135	145	$^{\circ}\text{C}$
T_{hyst}	Thermal shutdown hysteresis		30			$^{\circ}\text{C}$
POWER GOOD						
V_{OV}	FB pin voltage upper limit for power good	$4.5\text{ V} < V_{VIN} < 60\text{ V}$	620	647	675	mV
V_{UV}	FB pin voltage lower limit for power good		520	552	575	
$V_{PG,HYST}$	Power good hysteresis voltage at FB pin		8.4	20	33	
$V_{PG(out)}$	PGOOD pin voltage when FB pin voltage $> V_{OV}$ or $< V_{UV}$, $I_{PGD} = 2\text{ mA}$			100	mV	
$V_{PG(np)}$	PGOOD pin voltage when device power is removed	V_{VIN} is open, $10\text{-k}\Omega$ to $V_{EXT} = 5\text{ V}$		1	1.5	V
BOOT DIODE						
V_{DFWD}	Bootstrap diode forward voltage	$I = 20\text{ mA}$	0.5	0.7	1	V
$R_{BOOT-SW}$	Discharge resistor from BOOT to SW			1		M Ω

(2) Ensured by design, not production tested.



- (1) See datasheet for absolute maximum and minimum recommended operating conditions.
- (2) Enhanced plastic product disclaimer applies.

Figure 1. TPS40170-EP Derating Chart

DEVICE INFORMATION

PIN FUNCTIONS

PIN		I/O	DESCRIPTION
NAME	NO.		
AGND	9	—	Analog signal ground. This pin must be electrically connected to power ground PGND externally.
BOOT	18	O	Boot-capacitor node for high-side FET gate driver. The boot capacitor is connected from this pin to SW.
COMP	8	O	Output of the internal error amplifier. The feedback loop compensation network is connected from this pin to the FB pin.
ENABLE	1	I	This pin must be high for the device to be enabled. If this pin is pulled low, the device is put in a low-power-consumption shutdown mode.
FB	7	I	Negative input to the error amplifier. The output voltage is fed back to this pin through a resistor-divider network.
HDRV	17	O	Gate-driver output for the high-side FET.
ILIM	12	I	A resistor from this pin to PGND sets the overcurrent limit. This pin provides source current used for the overcurrent-protection threshold setting.
LDRV	14	O	Gate driver output for the low-side FET. Also, a resistor from this pin to PGND sets the multiplier factor to determine the short-circuit current limit. If no resistor is present, the multiplier defaults to 7 times the ILIM pin voltage.
M/S	3	I	Master- or slave-mode selector pin for frequency synchronization. This pin must be tied to VIN for master mode. In the slave mode, this pin must be tied to AGND or left floating. If the pin is tied to AGND, the device synchronizes with a 180° phase shift. If the pin is left floating, the device synchronizes with a 0° phase shift.
PGND	13	—	Power ground. This pin must externally connect to the AGND at a single point.
PGOOD	11	O	Power-good indicator. This pin is an open-drain output pin, and a 10-kΩ pullup resistor is recommended to be connected between this pin and VDD.
RT	4	I	A resistor from this pin to AGND sets the oscillator frequency. Even if operating in slave mode, it is required to have a resistor at this pin to set the free-running switching frequency.
SS	5	I	Soft-start. A capacitor must be connected from this pin to AGND. The capacitor value sets the soft-start time.
SW	16	I	This pin must connect to the switching node of the synchronous buck converter. The high-side and low-side FET current sensing are also done from this node.
SYNC	2	I/O	Synchronization. This is a bidirectional pin used for frequency synchronization. In the master mode, it is the SYNC output pin. In the slave mode, it is a SYNC input pin. If unused, this pin can be left open.
TRK	6	I	Tracking. External signal at this pin is used for output voltage tracking. This pin goes directly to the internal error amplifier as a positive reference. The lesser of the voltages between V_{TRK} and the internal 600-mV reference sets the output voltage. If not used, this pin should be pulled up to VDD.

TPS40170-EP

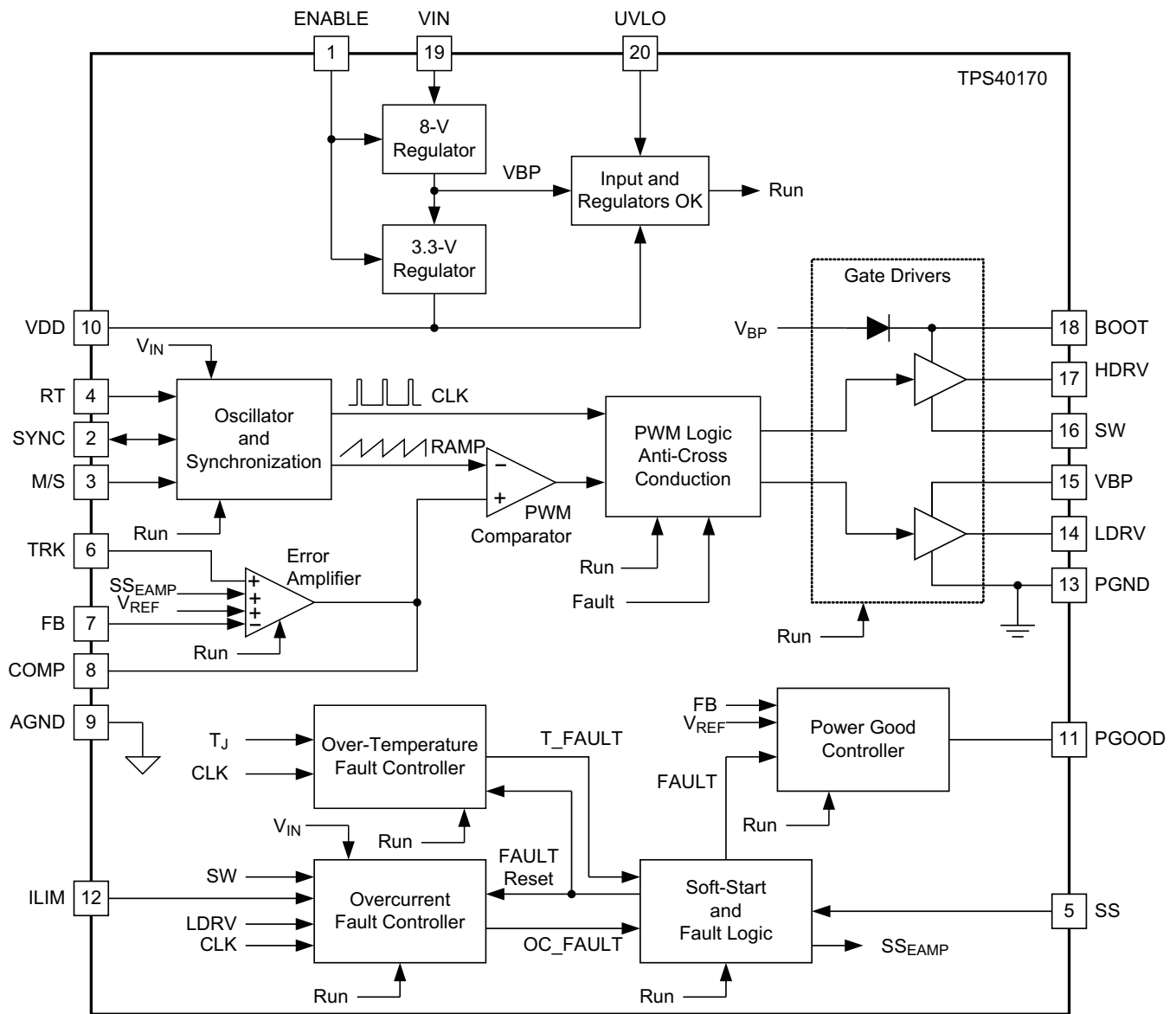
SLVSBT7A – MARCH 2013 – REVISED APRIL 2013

www.ti.com

PIN FUNCTIONS (continued)

PIN		I/O	DESCRIPTION
NAME	NO.		
UVLO	20	I	Undervoltage lockout. A resistor divider on this pin from VIN to AGND can be used to set the UVLO threshold.
VBP	15	O	8-V regulated output for gate driver. A ceramic capacitor with a value between 1 μ F and 10 μ F must be connected from this pin to PGND
VDD	10	O	3.3-V regulated output. A ceramic bypass capacitor with a value between 0.1 μ F and 1 μ F must be connected between this pin and the AGND pin and placed closely to this pin.
VIN	19	I	Input voltage for the controller, which is also the input voltage for the dc-dc converter. A 1- μ F bypass capacitor from this pin to AGND must be added and placed closed to VIN.

DEVICE BLOCK DIAGRAM



UDG-09218

TYPICAL CHARACTERISTICS

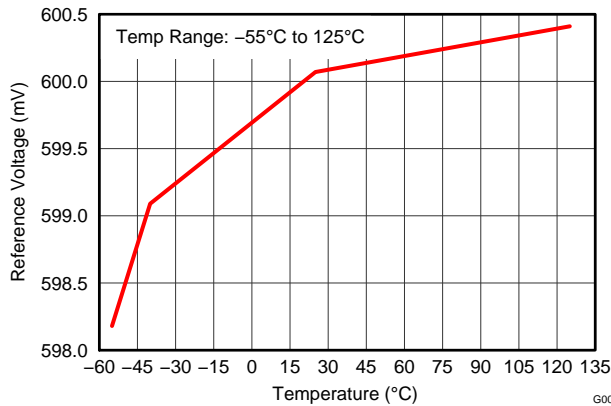


Figure 2. Reference Voltage vs Junction Temperature

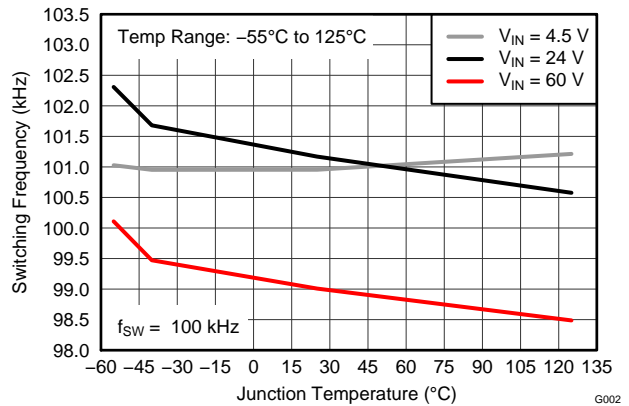


Figure 3. Switching Frequency vs Junction Temperature (f_{sw} = 100 kHz)

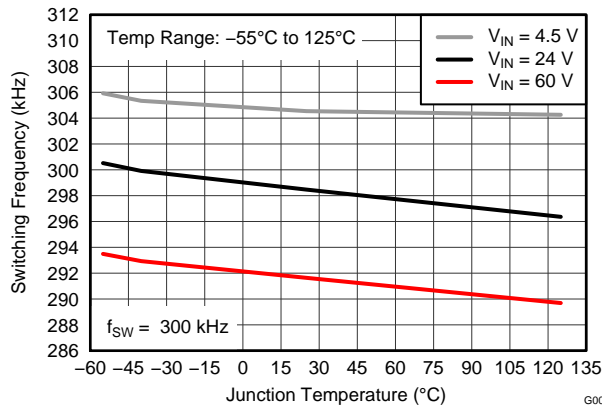


Figure 4. Switching Frequency vs Junction Temperature (f_{sw} = 300 kHz)

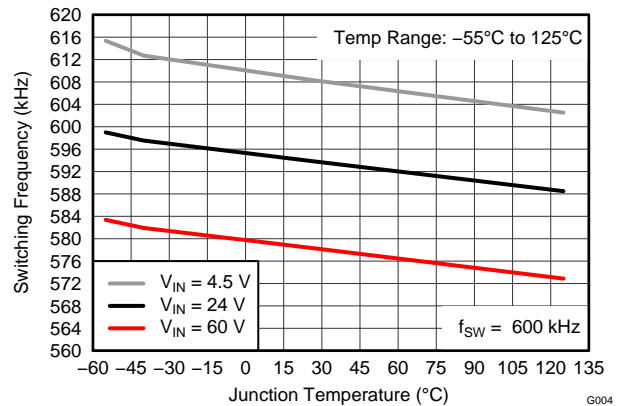


Figure 5. Switching Frequency vs Junction Temperature (f_{sw} = 600 kHz)

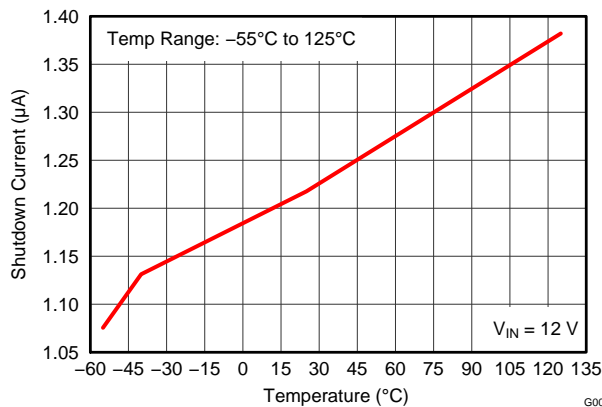


Figure 6. Shutdown Current vs Junction Temperature

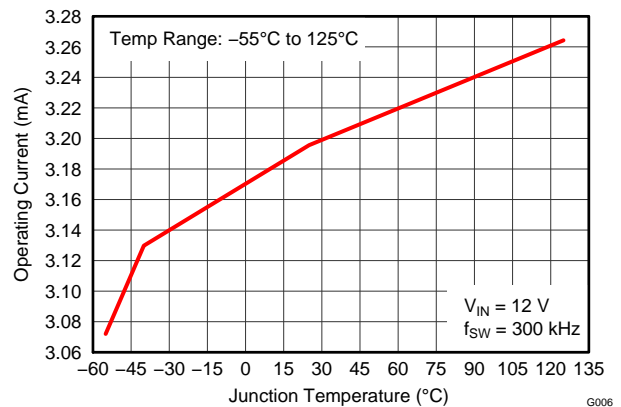


Figure 7. Operating Current vs Junction Temperature

TYPICAL CHARACTERISTICS (continued)

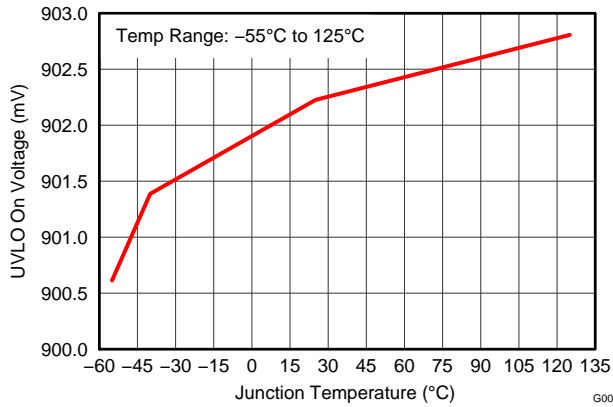


Figure 8. UVLO On Voltage vs Junction Temperature

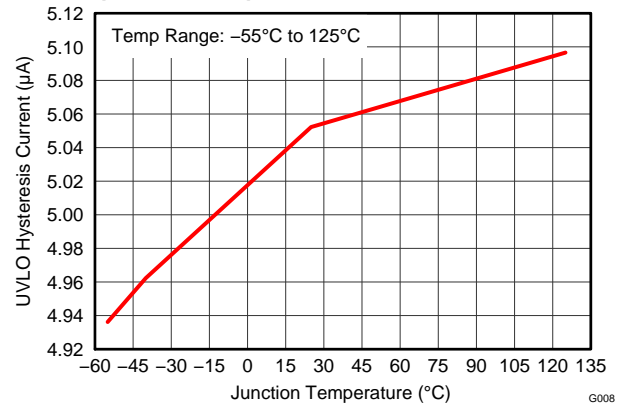


Figure 9. UVLO Hysteresis Current vs Junction Temperature

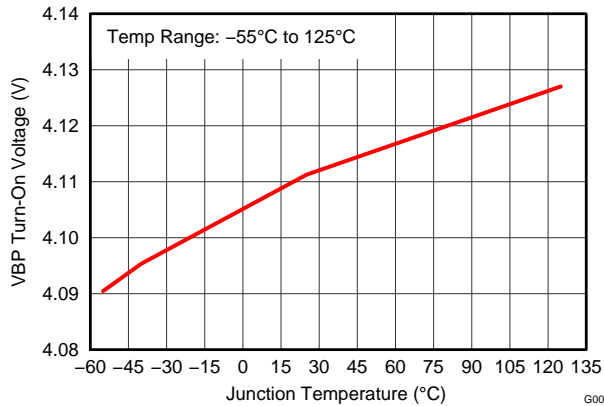


Figure 10. VBP Turn-On Voltage vs Junction Temperature

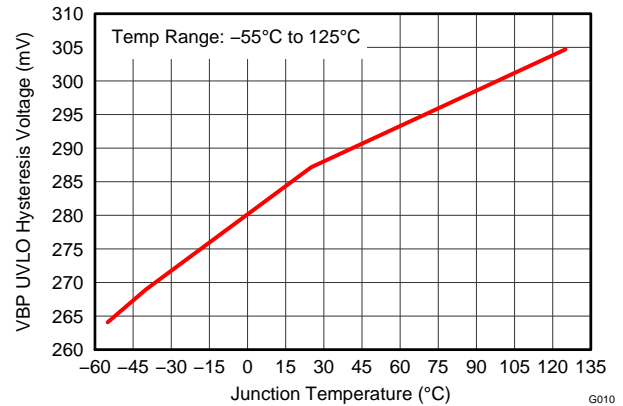


Figure 11. VBP UVLO Hysteresis Voltage

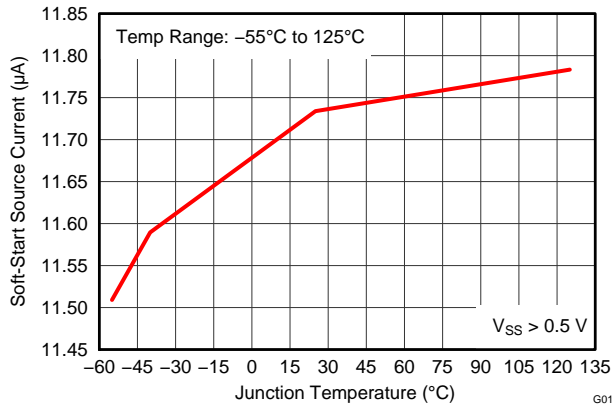


Figure 12. Soft-Start Source Current vs Junction Temperature ($V_{SS} > 0.5 V$)

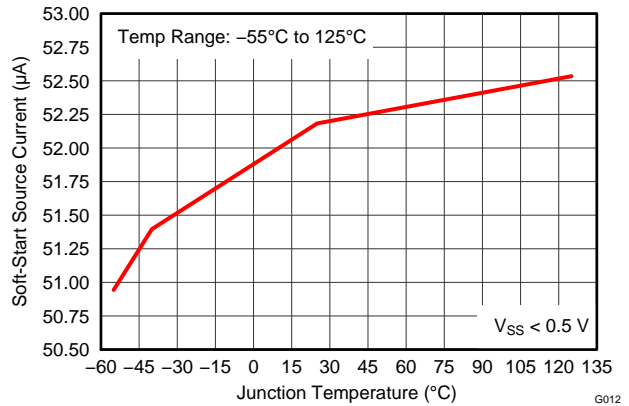


Figure 13. Soft-Start Source Current vs Junction Temperature ($V_{SS} < 0.5 V$)

TYPICAL CHARACTERISTICS (continued)

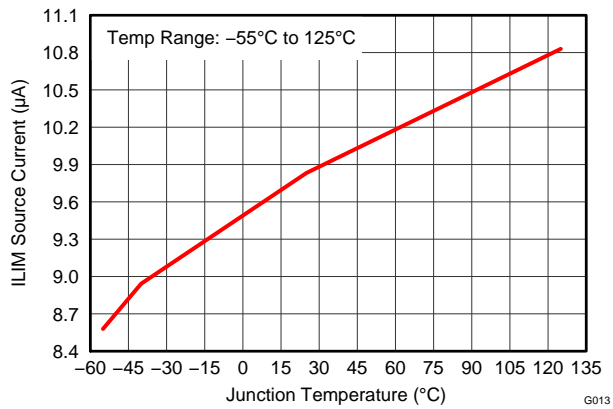


Figure 14. ILIM Source Current vs Junction Temperature

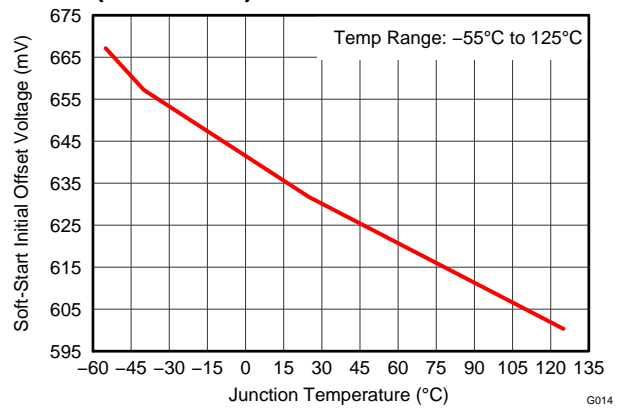


Figure 15. Soft-Start Initial Offset Voltage vs Junction Temperature

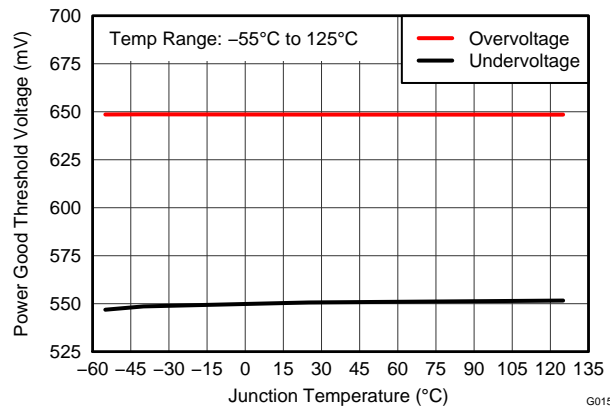


Figure 16. V_{OV}/V_{UV} Power Good Threshold Voltage

APPLICATION INFORMATION

FUNCTIONAL DESCRIPTION

The TPS40170 is a synchronous PWM buck controller that accepts a wide range of input voltages from 4.5 V to 60 V and features voltage-mode control with input-voltage feed-forward compensation. The switching frequency is programmable from 100 kHz to 600 kHz.

The TPS40170 has a complete set of system protections such as programmable UVLO, programmable overcurrent protection (OCP), selectable short-circuit protection (SCP), and thermal shutdown. The ENABLE pin allows for system shutdown in a low-current (1- μ A typical) mode. The controller supports pre-biased outputs, provides an open-drain PGOOD signal, and has closed-loop programmable soft-start, output-voltage tracking, and adaptive dead-time control.

The TPS40170 provides accurate output voltage regulation within 1% accuracy.

Additionally, the controller implements a novel scheme of bidirectional synchronization with one controller acting as the master and other downstream controllers acting as slaves, synchronized to the master in-phase or 180° out-of-phase. Slave controllers can be synchronized to an external clock within $\pm 30\%$ of the internal switching frequency.

LDO Linear Regulators and Enable

The TPS40170 has two internal low-dropout (LDO) linear regulators. One has a nominal output voltage of V_{VBP} and is present at the VBP pin. This is the voltage that is mainly used for the gate-driver output. The other linear regulator has an output voltage of V_{VDD} and is present at the VDD pin. This voltage can be used in external low-current logic circuitry. The maximum allowable current drawn from the VDD pin must not exceed 5 mA.

The TPS40170 has a dedicated device-enable pin (ENABLE). This simplifies user-level interface design because no multiplexed functions exist. If the ENABLE pin of the TPS40170 is higher than V_{EN} , then the LDO regulators are enabled. To ensure that the LDO regulators are disabled, the ENABLE pin must be pulled below V_{DIS} . By pulling the ENABLE pin below V_{DIS} , the device is completely disabled and the current consumption is very low (nominally, 1 μ A). Both LDO regulators are actively discharged when the ENABLE pin is pulled below V_{DIS} . A functionally equivalent circuit to the enable circuitry on the TPS40170 is shown in [Figure 17](#).

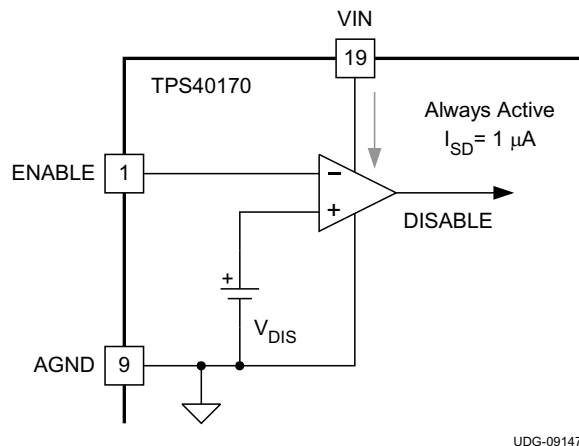


Figure 17. TPS40170 ENABLE Functional Block

The ENABLE pin must not be allowed to float. If the ENABLE function is not needed for the design, then it is suggested that the ENABLE pin be pulled up to VIN by a high-value resistor, ensuring that the current into the ENABLE pin does not exceed 10 μ A. If it is not possible to meet this clamp current requirement, then it is suggested that a resistor divider from VIN to GND be used to connect to ENABLE pin. The resistor divider should be such that the ENABLE pin is higher than V_{EN} and lower than 8 V.

NOTE

To avoid potential erroneous behavior of the enable function, the ENABLE signal applied must have a minimum slew rate of 20 V/s.

Input Undervoltage Lockout (UVLO)

The TPS40170 has both fixed and programmable input undervoltage lockout (UVLO). In order for the device to turn ON, all of the following conditions must be met:

- The ENABLE pin voltage must be greater than V_{EN} .
- The VBP voltage (at VBP pin) must be greater than $V_{VBP(on)}$.
- The UVLO pin must be greater than V_{UVLO} .

In order for the device to turn OFF, any one of the following conditions must be met:

- The ENABLE pin voltage must be less than V_{DIS} .
- The VBP voltage (at the VBP pin) must be less than $V_{VBP(off)}$.
- The UVLO pin must be less than V_{UVLO} .

Programming the input UVLO can be accomplished using the UVLO pin. A resistor divider from the input voltage (V_{IN} pin) to GND sets the UVLO level. Once the input voltage reaches a value that meets the V_{UVLO} level at the UVLO pin, then a small hysteresis current, I_{UVLO} at the UVLO pin is switched in. The programmable UVLO function is shown in Figure 18.

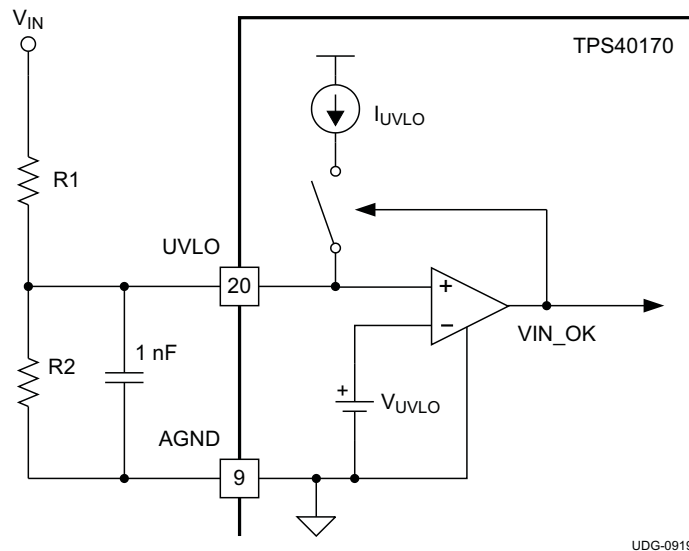


Figure 18. UVLO Functional Block Schematic

Equations for Programming the Input UVLO:

Components R1 and R2 represent external resistors for programming UVLO and hysteresis; their values can be calculated in [Equation 1](#) and [Equation 2](#), respectively.

$$R_1 = \frac{V_{ON} - V_{OFF}}{I_{UVLO}} \quad (1)$$

$$R_2 = R_1 \times \frac{V_{UVLO}}{(V_{ON} - V_{UVLO})}$$

where

- V_{ON} is the desired turnon voltage of the converter.
- V_{OFF} is the desired turnoff voltage for the converter.
- I_{UVLO} is the hysteresis current generated by the device, 5 μ A (typ).
- V_{UVLO} is the UVLO pin threshold voltage, 0.9 V (typ).

NOTE

If the UVLO pin is connected to a voltage greater than 0.9 V, the programmable UVLO is disabled and the device defaults to an internal UVLO ($V_{VBP(on)}$ and $V_{VBP(off)}$). For example, the UVLO pin can be connected to VDD or the VBP pin to disable the programmable UVLO function.

A 1-nF ceramic bypass capacitor must be connected between the UVLO pin and GND.

Oscillator and Voltage Feed-Forward

TPS40170 implements an oscillator with input-voltage feed-forward compensation that enables instant response to input voltage changes. [Figure 19](#) shows the oscillator timing diagram for the TPS40170. The resistor from the RT pin to GND sets the free-running oscillator frequency. Voltage V_{RT} on the RT pin is made proportional to the input voltage (see [Equation 3](#)).

$$V_{RT} = \frac{V_{IN}}{K}$$

where

- $K = 15$ (3)

The resistor at the RT pin sets the current in the RT pin. The proportional current charges an internal 100-pF oscillator capacitor. The ramp voltage on this capacitor is compared with the RT pin voltage, V_{RT} . Once the ramp voltage reaches V_{RT} , the oscillator capacitor is discharged. The ramp that is generated by the oscillator (which is proportional to the input voltage) acts as voltage feed-forward ramp to be used in the PWM comparator.

The time between the start of the discharging oscillator capacitor and the start of the next charging cycle is fixed at 170 ns (typical). During the fixed discharge time, the PWM output is maintained as OFF. This is the minimum OFF-time of the PWM output.

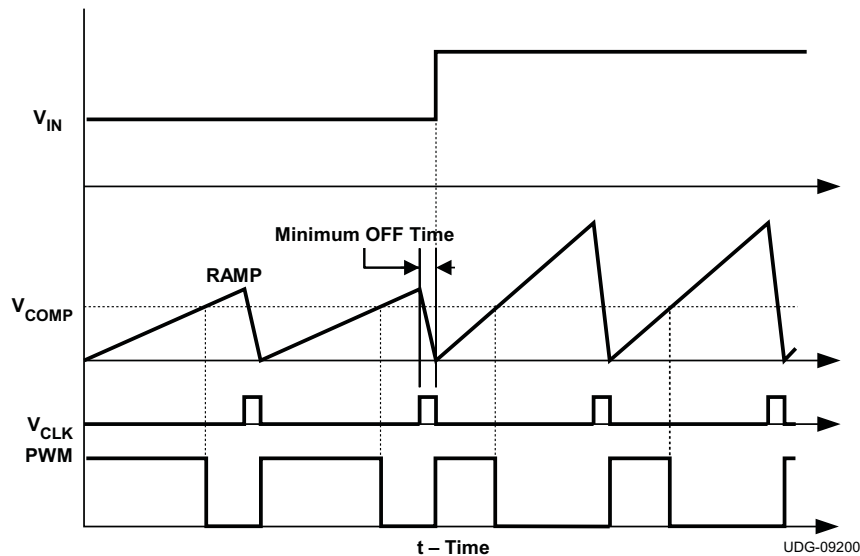


Figure 19. Feed-Forward Oscillator Timing Diagram

Calculating the Timing Resistance (R_{RT})

$$R_{RT} = \left(\frac{10^4}{f_{SW}} \right) - 2(k\Omega)$$

where

- f_{SW} is the switching frequency in kHz.
- R_{RT} is the resistor connected from RT pin to GND in k Ω .

(4)

NOTE

The switching frequency can be adjusted between 100 kHz and 600 kHz. The maximum switching frequency before skipping pulses is determined by the input voltage, output voltage, FET resistances, DCR of the inductor, and the minimum on-time of the TPS40170. Use [Equation 5](#) to determine the maximum switching frequency. For further details, see application note [SLYT293](#).

$$f_{SW(max)} = \frac{V_{OUT(min)} + (I_{OUT(min)} \times (R_{DS2} + R_{LOAD}))}{t_{ON(min)} \times (V_{IN(max)} - I_{OUT(min)} \times (R_{DS1} - R_{DS2}))}$$

where

- $f_{SW(max)}$ is the maximum switching frequency.
- $V_{OUT(min)}$ is the minimum output voltage.
- $V_{IN(max)}$ is the maximum input voltage.
- $I_{OUT(min)}$ is the minimum output current.
- R_{DS1} is the high-side FET resistance.
- R_{DS2} is the low-side FET resistance.
- R_{LOAD} is the inductor series resistance.

(5)

Overcurrent Protection and Short-Circuit Protection (OCP and SCP)

The TPS40170 has the capability to set a two-level overcurrent protection. The first level of overcurrent protection (OCP) is the normal overload setting based on low-side MOSFET voltage sensing. The second level of protection is the heavy overload setting, such as short-circuit based, on the high-side MOSFET voltage sensing. This protection takes effect immediately. The second level is termed short-circuit protection (SCP).

The OCP level is set by the ILIM pin voltage. A current (I_{ILIM}) is sourced into the ILIM pin from which a resistor R_{ILIM} is connected to GND. Resistor R_{ILIM} sets the first level of overcurrent limit. The OCP is based on the low-side FET voltage at the switch-node (SW pin) when LDRV is ON after a blanking time, which is the product of inductor current and low-side FET turnon resistance $R_{DS(on)}$. The voltage is inverted and compared to ILIM pin voltage. If it is greater than the ILIM pin voltage, then a 3-bit counter inside the device increments the fault-count by 1 at the start of the next switching cycle. Alternatively, if it is less than the ILIM pin voltage, then the counter inside the device decrements the fault-count by 1. When the fault-count reaches 7, an overcurrent fault (OC_FAULT) is declared and both the HDRV and LDRV are turned OFF. Resistor R_{ILIM} can be calculated by Equation 6.

$$R_{ILIM} = \frac{I_{OC} \times R_{DS(on)}}{I_{ILIM}} = \frac{I_{OC} \times R_{DS(on)}}{9.0 \mu A} \quad (6)$$

The SCP level is set by a multiple of the ILIM pin voltage. The multiplier has three discrete values, 3, 7, or 15 times, which can be selected by choosing a 10-k Ω , open-circuit, or 20-k Ω resistor, respectively, from the LDRV pin to GND. This multiplier AOC information is translated during the t_{CAL} time, which starts after the enable and UVLO conditions are met.

The SCP is based on sensing the high-side FET voltage drop from V_{VIN} to V_{SW} when HDRV is ON after a blanking time, which is product of inductor current and high-side FET turnon resistance $R_{DS(on)}$. The voltage is compared to the product of the multiplier and the ILIM pin voltage. If the voltage exceeds the product, then the fault-count is immediately set to 7 and the OC_FAULT is declared. HDRV is terminated immediately without waiting for the duty cycle to end. When an OC_FAULT is declared, both the HDRV and LDRV are turned OFF. The appropriate multiplier (A), can be selected using Equation 7.

$$A = \frac{I_{SC} \times R_{DS(on)HS}}{I_{OC} \times R_{DS(on)LS}} \quad (7)$$

Figure 20 is a functional block diagram of the two-level overcurrent protection.

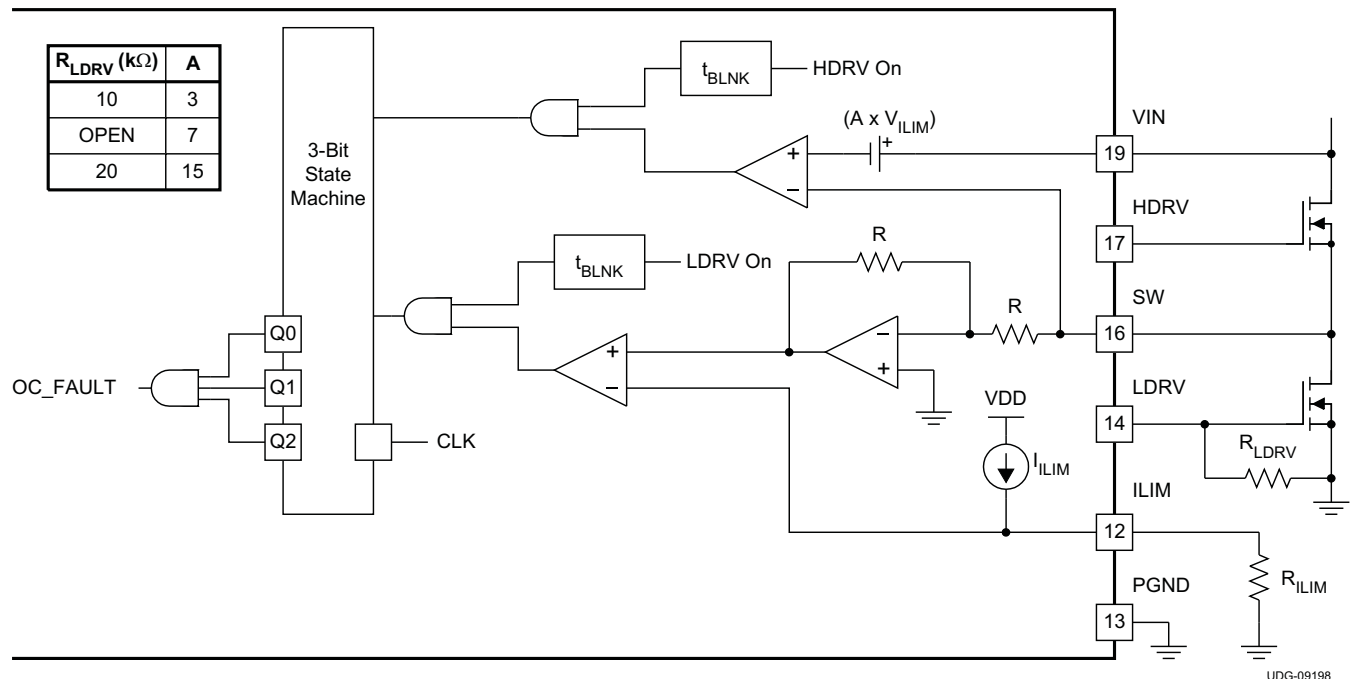


Figure 20. OCP and SCP Protection Functional Block Diagram

NOTE

Both OCP and SCP are based on low-side and high-side MOSFET voltage sensing at the SW node. Excessive ringing on the SW node can have a negative impact on the accuracy of OCP and SCP. Adding an R-C snubber from the SW node to GND helps minimize the potential impact.

Soft-Start and Fault-Logic

A capacitor from the SS pin to GND defines the SS time, t_{SS} . The TPS40170 enters into soft-start immediately after completion of the overcurrent calibration. The SS pin goes through the internal level-shifter circuit of the device before reaching one of the positive inputs of the error amplifier. The SS pin must reach approximately 0.65 V before the input to the error amplifier begins to rise above 0 V. To charge the SS pin from 0 V to 0.65 V faster, an extra charging current (40.4 μ A, typ.) is switched-in to the SS pin at the beginning of the soft-start in addition to the normal charging current (11.6 μ A, typ.). As the SS capacitor reaches 0.5 V, the extra charging current is turned off and only the normal charging current remains. Figure 21 shows the soft-start function block.

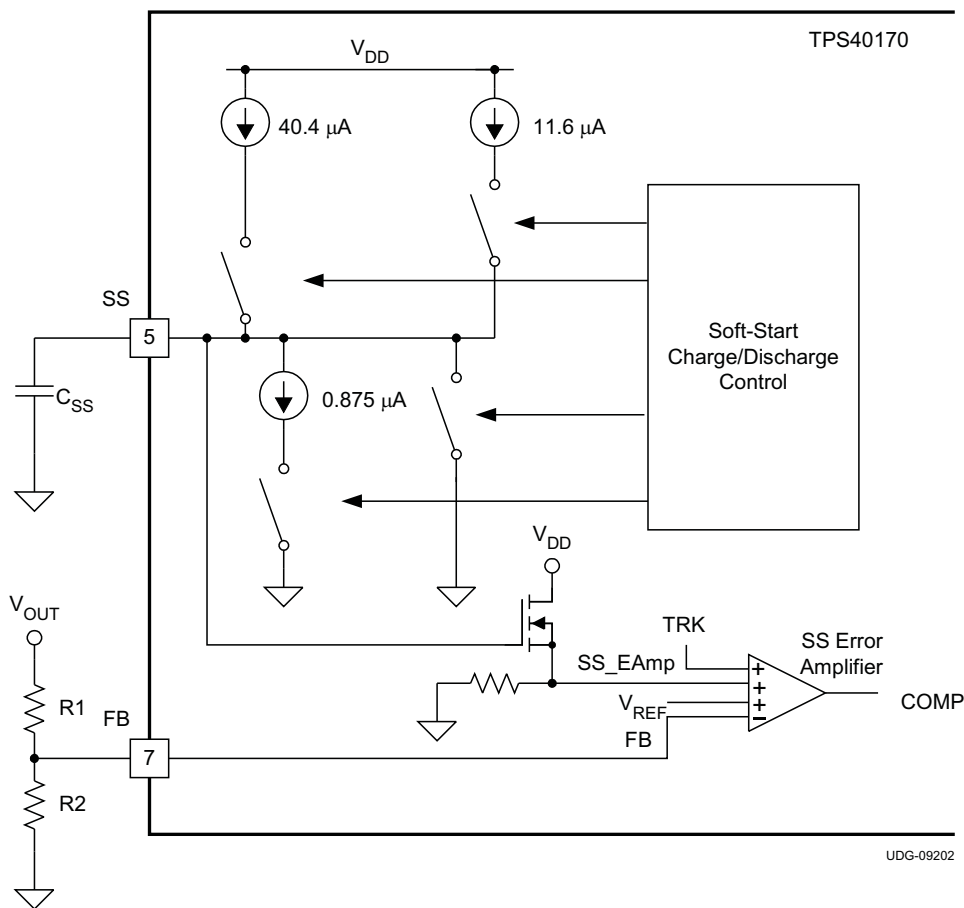


Figure 21. Soft-Start Schematic Block

As the SS pin voltage approaches 0.65 V, the positive input to the error amplifier begins to rise (see Figure 22). The output of the error amplifier (the COMP pin) starts rising. The rate of rise of the COMP voltage is mainly limited by the feedback-loop compensation network. Once V_{COMP} reaches the V_{valley} of the PWM ramp, the switching begins. The output is regulated to the error amplifier input through the FB pin in the feedback loop. Once the FB pin reaches the 600-mV reference voltage, the feedback node is regulated to the reference voltage, V_{REF} . The SS pin continues to rise and is clamped to V_{DD} .

TPS40170-EP

SLVSBT7A – MARCH 2013 – REVISED APRIL 2013

www.ti.com

The SS pin is discharged through an internal switch during the following conditions:

- Input (VIN) undervoltage lock out UVLO pin less than V_{UVLO}
- Overcurrent protection calibration time (t_{CAL})
- VBP less than threshold voltage ($V_{BP(off)}$)

Because it is discharged through an internal switch, the discharging time is relatively fast compared with the discharging time during the fault restart, which is discussed in the *Soft-start During Overcurrent Fault* section.

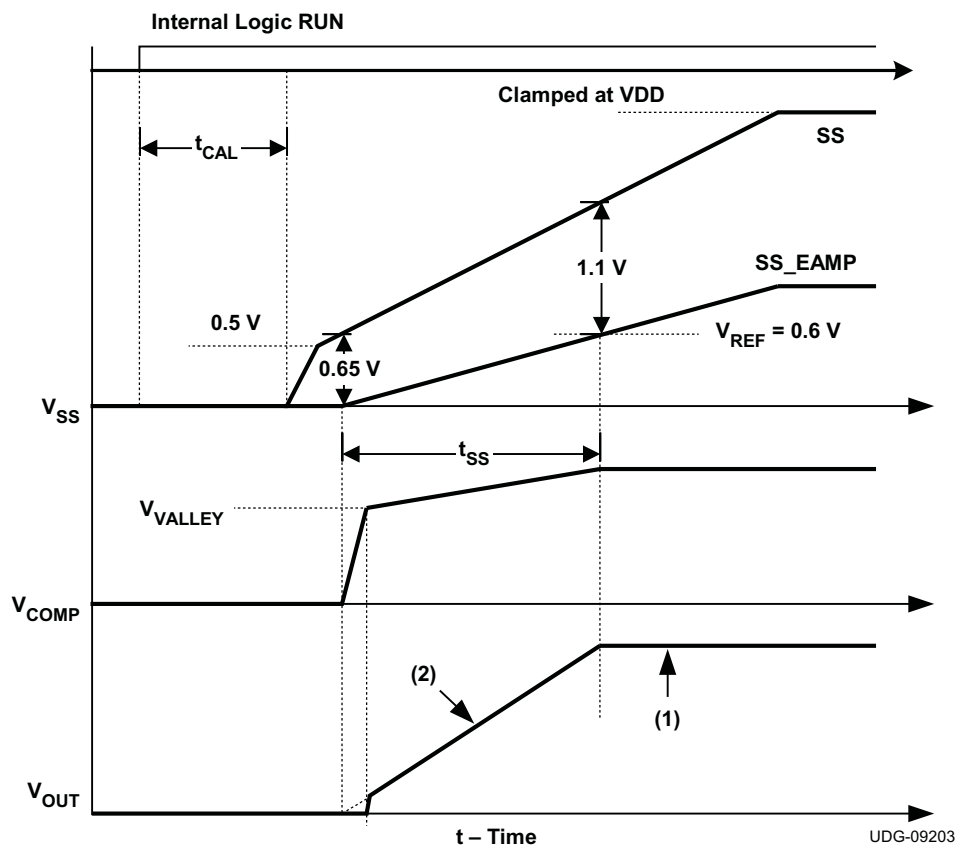


Figure 22. Soft-Start Waveforms

NOTE

Referring to [Figure 22](#)

- (1) V_{REF} dominates the positive input of the error amplifier.
- (2) SS_EAMP dominates the positive input of the error amplifier.

For $0 < V_{SS_EAMP} < V_{REF}$

$$V_{OUT} = V_{SS(EAMP)} \times \frac{(R1+R2)}{R2} \quad (8)$$

For $V_{SS_EAMP} > V_{REF}$

$$V_{OUT} = V_{REF} \times \frac{(R1+R2)}{R2} \quad (9)$$

Soft-Start During Overcurrent Fault

The soft-start block also has a role to control the fault-logic timing. If an overcurrent fault (OC_FAULT) is declared, the soft-start capacitor is discharged internally through the device by a small current $I_{SS(sink)}$ (1.05 μ A, typ.). Once the SS pin capacitor is discharged to below $V_{SS(FLT,low)}$ (300 mV, typ.), the soft-start capacitor begins charging again. If the fault is persistent, a fault is declared which is determined by the overcurrent-protection state machine. If the soft-start capacitor is below $V_{SS(FLT,high)}$ (2.5 V, typ.), then the soft-start capacitor continues to charge until it reaches $V_{SS(FLT,high)}$ before a discharge cycle is initiated. This ensures that the re-start time-interval is always constant. Figure 23 shows the restart timing.

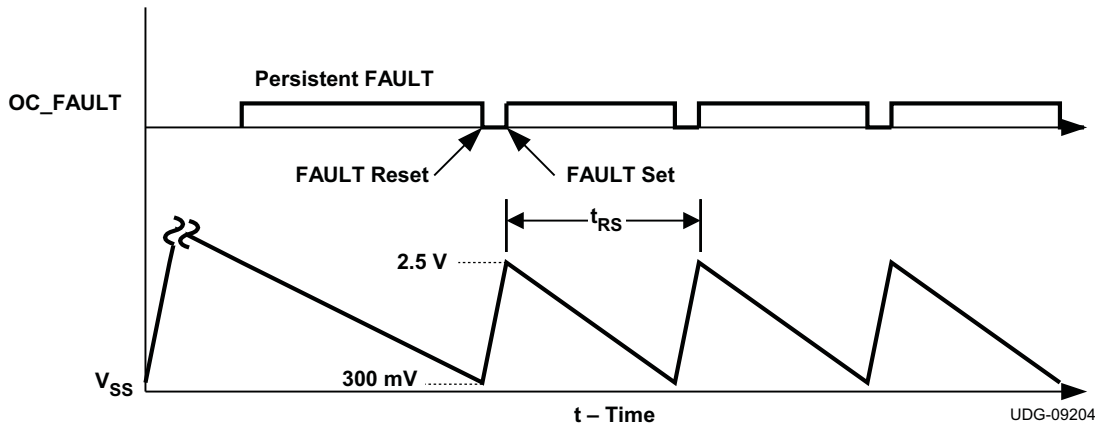


Figure 23. Overcurrent Fault Restart Timing

NOTE

For the feedback to be regulated to the SS_EAMP voltage, the TRK pin must be pulled high directly or through a resistor to VDD.

Equations for Soft-Start and Restart Time

The soft-start time (t_{SS}) is defined as the time taken for the internal SS_EAMP node to go from 0 V to the 0.6-V V_{REF} voltage. SS_EAMP starts rising as the SS pin goes beyond 0.65 V. The offset voltage between SS and SS_EAMP starts increasing as the SS pin voltage starts rising. Figure 22 shows that the SS time can be defined as the time taken for the SS pin voltage to change by 1.05 V (see Equation 10).

$$C_{SS} = \frac{t_{SS}}{0.09} \quad (10)$$

The restart time (t_{RS}) is defined in Equation 11 as the time taken for the soft-start capacitor (C_{SS}) to discharge from 2.5 V to 0.3 V and to then recharge up to 2.5 V.

$$t_{RS} \approx 2.28 \times C_{SS}$$

where

- C_{SS} is the soft-start capacitance in nF.
- t_{SS} is the soft-start time in ms.
- t_{RS} is the restart time in ms.

(11)

NOTE

During soft-start ($V_{SS} < 2.5$ V), the overcurrent protection limit is 1.5 times the normal overcurrent protection limit. This allows a higher output capacitance to charge fully without activating overcurrent protection.

Overtemperature Fault

Figure 24 shows the over temperature protection scheme. If the junction temperature of the device reaches the thermal shutdown limit of $t_{SD(set)}$ (165°C, typ) and SS charging is completed, an overtemperature FAULT is declared. The soft-start capacitor begins to be discharged. During soft-start discharging period, the PWM switching is terminated; therefore, both HDRV and LDRV are driven low, turning off both MOSFETs.

The soft-start capacitor begins to charge and an overtemperature fault is reset whenever the soft-start capacitor is discharged below $V_{SS(fft,low)}$ (300 mV, typ.). During each restart cycle, PWM switching is turned on. When SS is fully charged, PWM switching is terminated. These restarts repeat until the temperature of the device has fallen below the thermal reset level, $t_{SD(reset)}$ (135°C typ). PWM switching continues and the system returns to normal regulation.

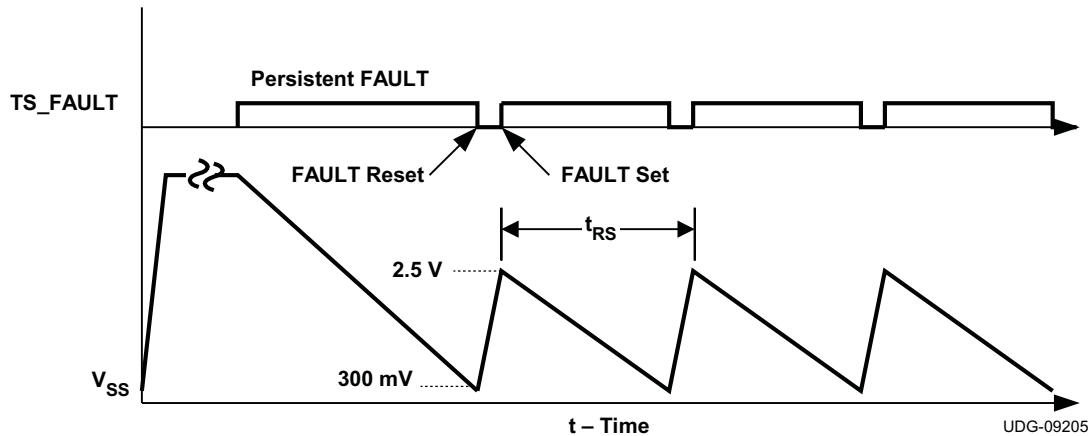


Figure 24. Overtemperature Fault Restart Timing

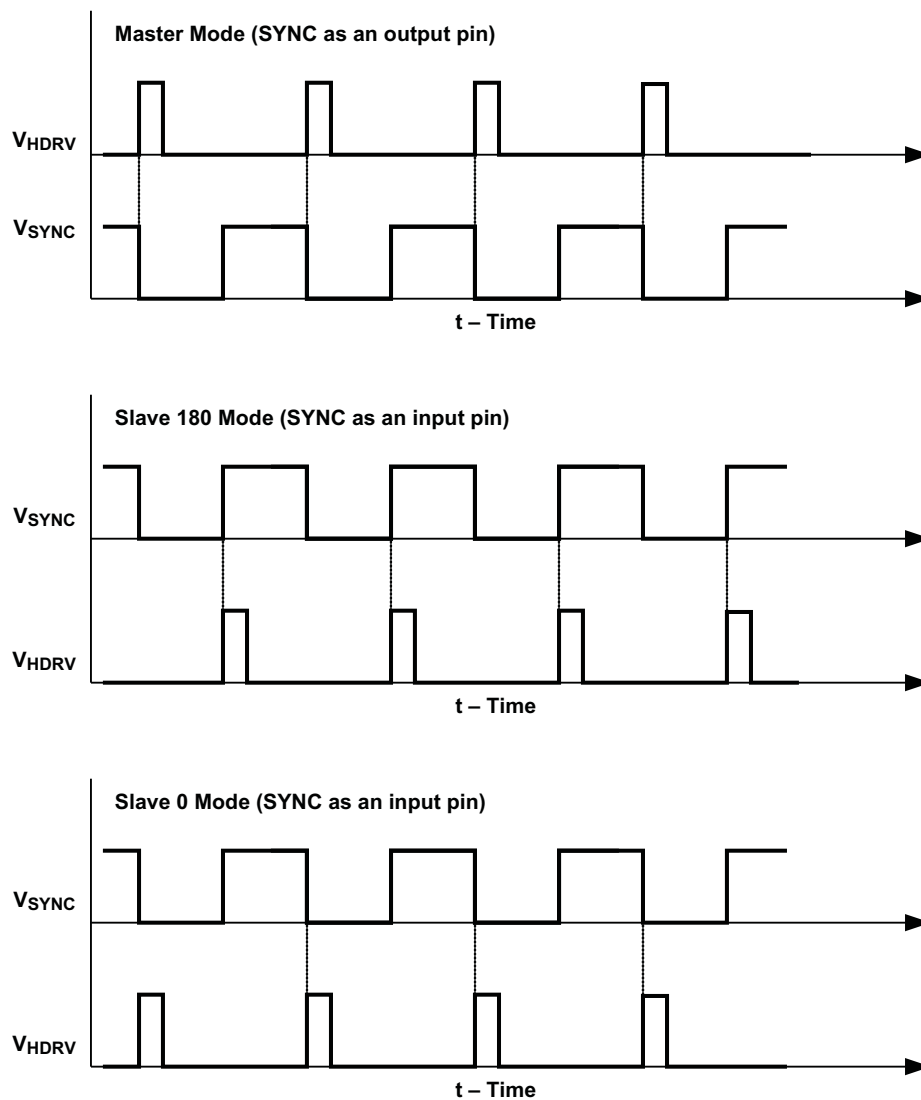
The soft-start timing during an overtemperature fault is the same as the soft-start timing during an overcurrent fault. See the *Equations for Soft-Start and Restart Time* section.

Frequency Synchronization

The TPS40170 has three modes.

- **Master mode:** In this mode, the master- or slave-selector pin, (M/S) is connected to VIN. The SYNC pin emits a stream of pulses at the same frequency as the PWM switching frequency. The pulse stream at the SYNC pin is of 50% duty cycle and the same amplitude as V_{VBP} . Also, the falling edge of the voltage on SYNC pin is synchronized with the rising edge of HDRV.
- **Slave–180° mode:** In this mode, the M/S pin is connected to GND. The SYNC pin of the TPS40170 accepts a synchronization clock signal, and HDRV is synchronized with the rising edge of the incoming synchronization clock.
- **Slave–0° mode:** In this mode, the M/S pin is left open. The SYNC pin of the TPS40170 accepts a synchronization clock signal, and HDRV is synchronized with the falling edge of the incoming synchronization clock.

The two slave modes can be synchronized to an external clock through the SYNC pin. They are shown in Figure 25. The synchronization frequency should be within $\pm 30\%$ of its programmed free-running frequency.



UDG-09206

Figure 25. Frequency Synchronization Waveforms in Different Modes

TPS40170 provides a smooth transition for the SYNC clock-signal loss in slave mode. In slave mode, a synchronization clock signal is provided externally through the SYNC pin to the device. The switching frequency is synchronized to the external SYNC clock signal. If for some reason the external clock signal is missing, the device switching frequency is automatically overridden by a transition frequency which is 0.7 times its programmed free-running frequency. This transition time is approximately 20 μs . After that, the device switching frequency is changed to its programmed free-running frequency. Figure 26 shows this process.

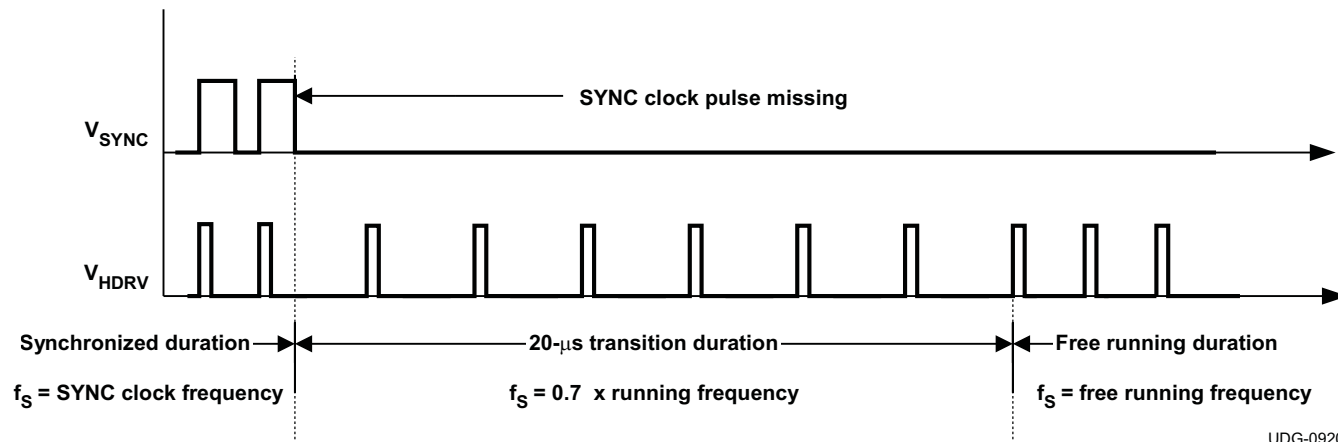


Figure 26. Transition for SYNC Clock Signal Missing (for Slave-180° Mode)

NOTE

When the device is operating in the master mode with duty ratio around 50%, PWM jittering may occur. Always configure the device into the slave mode by either connecting the M/S pin to GND or leaving it floating if master mode is not used.

When the external SYNC clock signal is used for synchronization, limit the maximum slew rate of the clock signal to 10 V/ μs to avoid potential PWM jittering, and connect the SYNC pin to the external clock signal via a 5-k Ω resistor.

Tracking

The TRK pin is used for output voltage tracking. The output voltage is regulated so that the FB pin equals the lowest of the internal reference voltage (V_{REF}) or the level-shifted SS pin voltage (SS_{EAMP}) or the TRK pin voltage. Once the TRK pin goes above the reference voltage, then the output voltage is no longer governed by the TRK pin, but it is governed by the reference voltage.

If the voltage tracking function is used, then it should be noted that the SS pin capacitor must remain connected to SS pin and is also used for FAULT timing. For proper tracking using the TRK pin, the tracking voltage should be allowed to rise only after SS_{EAMP} has exceeded V_{REF} , so that there is no possibility of the TRK pin voltage being higher than the SS_{EAMP} voltage. From Figure 22, for $SS_{EAMP} = 0.6\text{ V}$, the SS pin voltage is typically 1.7 V.

The maximum slew rate on the TRK pin should be determined by the output capacitance and feedback loop bandwidth. A higher slew rate can possibly trip overcurrent protection.

Figure 27 shows the tracking functional block. For SS_{EAMP} voltages greater than TRK pin voltage, the V_{OUT} is given by Equation 12 and Equation 13.

For $0\text{ V} < V_{TRK} < V_{REF}$

$$V_{OUT} = V_{TRK} \times \frac{(R1+R2)}{R2} \quad (12)$$

For $V_{TRK} > V_{REF}$

$$V_{OUT} = V_{REF} \times \frac{(R1+R2)}{R2} \quad (13)$$

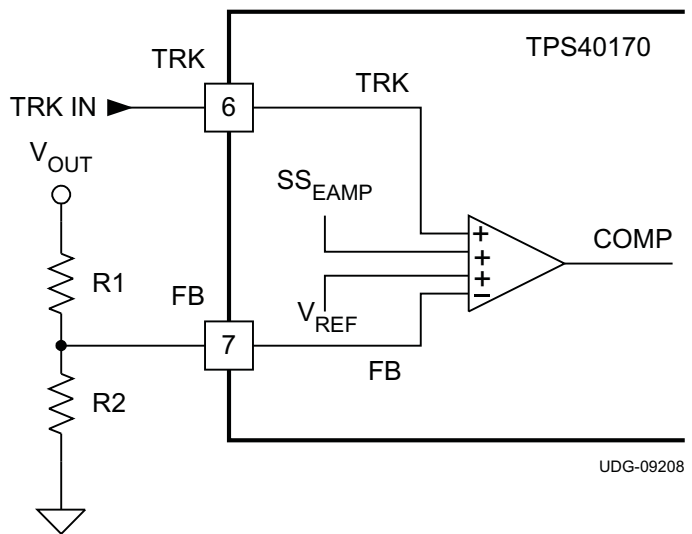


Figure 27. Tracking Functional Block

There are three potential applications for the tracking function.

- Simultaneous voltage tracking
- Ratiometric voltage tracking
- Sequential start-up mode

TPS40170-EP

SLVSBT7A – MARCH 2013 – REVISED APRIL 2013

www.ti.com

The tracking function configurations and waveforms are shown in [Figure 28](#), [Figure 29](#), [Figure 30](#), [Figure 31](#), [Figure 32](#), and [Figure 33](#) respectively.

In simultaneous voltage tracking, shown in [Figure 28](#), tracking signals VTRK1 and VTRK2 of two modules, POL1 and POL2, start up at the same time, and their output voltages V_{OUT1}initial and V_{OUT2}initial are approximately the same during initial startup. Because VTRK1 and VTRK2 are less than V_{REF} (0.6 V, typ.), [Equation 12](#) is used. As a result, components selection should meet [Equation 14](#).

$$\left(\frac{R_1 + R_2}{R_1}\right) \times V_{TRK1} = \left(\frac{R_3 + R_4}{R_3}\right) \times V_{TRK2} \Rightarrow \frac{R_5}{R_6} = \left(\frac{\left(\frac{R_1}{R_1 + R_2}\right)}{\left(\frac{R_3}{R_3 + R_4}\right)} - 1\right) \quad (14)$$

After the lower output voltage setting reaches the output-voltage V_{OUT1} set point, where V_{TRK1} increases above V_{REF}, the output voltage of the other one (V_{OUT2}) continues increasing until it reaches its own set point, where V_{TRK2} increases above V_{REF}. At that time, [Equation 13](#) is used. As a result, the resistor settings should meet [Equation 15](#) and [Equation 16](#).

$$V_{OUT1} = \left(\frac{R_1 + R_2}{R_1}\right) \times V_{REF} \quad (15)$$

$$V_{OUT2} = \left(\frac{R_3 + R_4}{R_3}\right) \times V_{REF} \quad (16)$$

[Equation 14](#) can be simplified into [Equation 17](#) by substituting terms from [Equation 15](#) and [Equation 16](#).

$$\left(\frac{R_5}{R_6}\right) = \left(\left(\frac{V_{OUT2}}{V_{OUT1}}\right) - 1\right) \quad (17)$$

If 5-V V_{OUT2} and 2.5-V V_{OUT1} are required, according to [Equation 15](#), [Equation 16](#), and [Equation 17](#), the selected components can be as follows:

- R₅ = R₆ = R₄ = R₂ = 10 kΩ
- R₁ = 3.16 kΩ
- R₃ = 1.37 kΩ

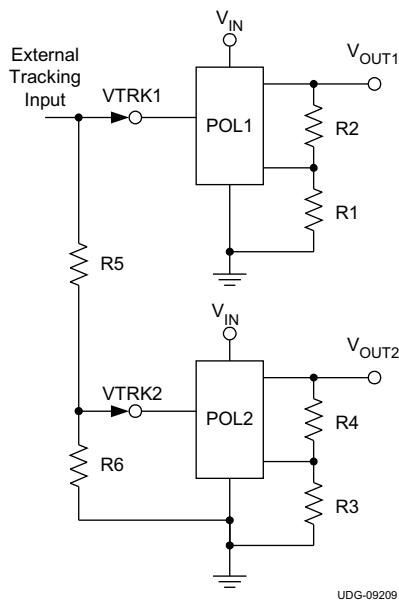


Figure 28. Simultaneous Voltage-Tracking Schematic

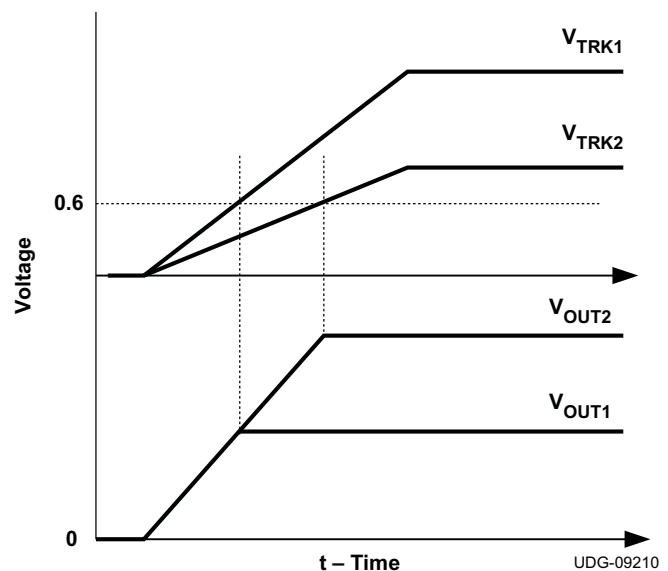
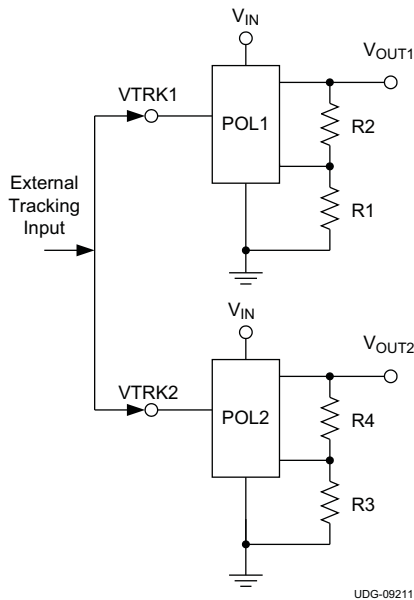
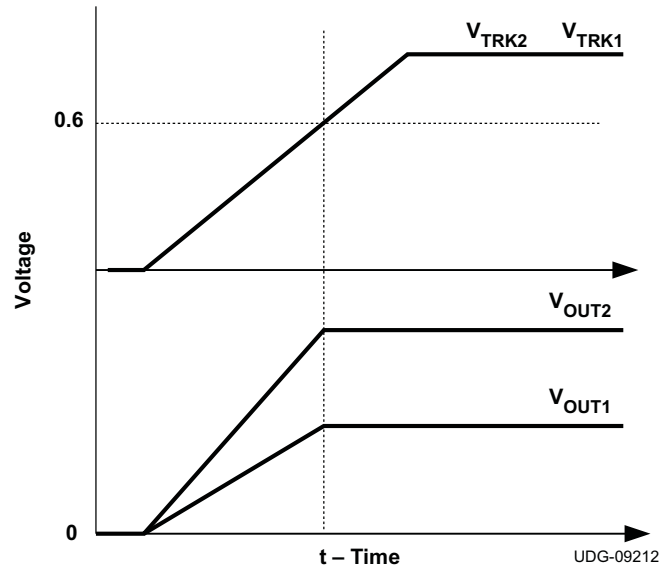


Figure 29. Simultaneous Voltage-Tracking Waveform

In ratiometric voltage tracking as shown in Figure 30, the two tracking voltages, VTRK1 and VTRK2, for two modules, POL1 and POL2, are the same. Their output voltages, VOUT1 and VOUT2, are different with different voltage dividers, R2–R1 and R4–R3. VOUT1 and VOUT2 increase proportionally and reach their output voltage set points at about the same time.



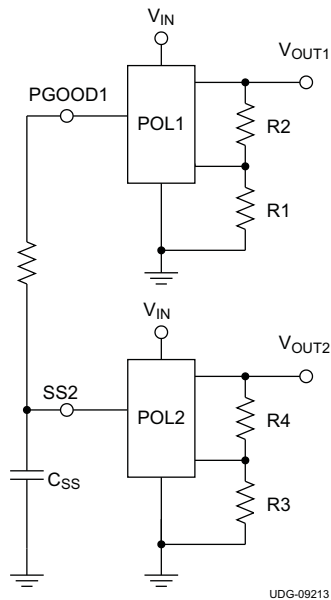
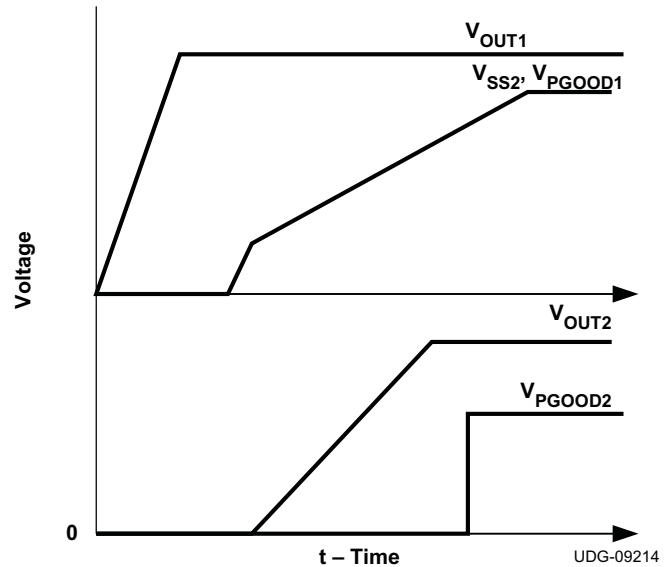
UDG-09211



UDG-09212

Figure 30. Ratiometric Voltage-Tracking Schematic Figure 31. Ratiometric Voltage-Tracking Waveform

Sequential start-up is shown in Figure 32. During start-up of the first module, POL1, its PGOOD1 is pulled to low. Because PGOOD1 is connected to soft-start SS2 of the second module, POL2, is not able to charge its soft-start capacitor. After output voltage V_{OUT1} of POL1 reaches its setting point, PGOOD1 is released. POL2 starts charging its soft-start capacitor. Finally, output voltage V_{OUT2} of POL2 reaches its setting point.


Figure 32. Sequential Start-Up Schematic

Figure 33. Sequential Start-Up Waveform
NOTE

The TRK pin has high impedance, so it is a noise-sensitive terminal. If the tracking function is used, a small R-C filter is recommended at the TRK pin to filter out high-frequency noise.

If the tracking function is not used, the TRK pin must be pulled up directly or through a resistor (with a value between 10 kΩ and 100 kΩ) to VDD.

Adaptive Drivers

The drivers for the external high-side and low-side MOSFETs are capable of driving a gate-to-source voltage, V_{VBP} . The LDRV driver for the low-side MOSFET switches between VBP and PGND, while the HDRV driver for the high-side MOSFET is referenced to SW and switches between BOOT and SW. The drivers have non-overlapping timing that is governed by an adaptive delay circuit to minimize body-diode conduction in the synchronous rectifier.

Start-Up Into Pre-Biased Output

The TPS40170 contains a circuit to prevent current from being pulled out of the output during startup, in case the output is pre-biased. When the soft-start commands a voltage higher than the pre-bias level (internal soft-start becomes greater than feedback voltage [V_{VFB}]), the controller slowly activates synchronous rectification by starting the first LDRV pulses with a narrow on-time (see Figure 34), where:

- $V_{IN} = 5\text{ V}$
- $V_{OUT} = 3.3\text{ V}$
- $V_{PRE} = 1.4\text{ V}$
- $f_{SW} = 300\text{ kHz}$
- $L = 0.6\text{ }\mu\text{H}$

LDRV pulses then increments the on-time on a cycle-by-cycle basis until it coincides with the time dictated by $(1 - D)$, where D is the duty cycle of the converter. This scheme prevents the initial sinking of the pre-bias output, and ensures that the output voltage (V_{OUT}) starts and ramps up smoothly into regulation and the control loop is given time to transition from pre-biased startup to normal mode operation with minimal disturbance to the output voltage. The time from the start of switching until the low-side MOSFET is turned on for the full $(1 - D)$ interval is between approximately 20 and 40 clock cycles.

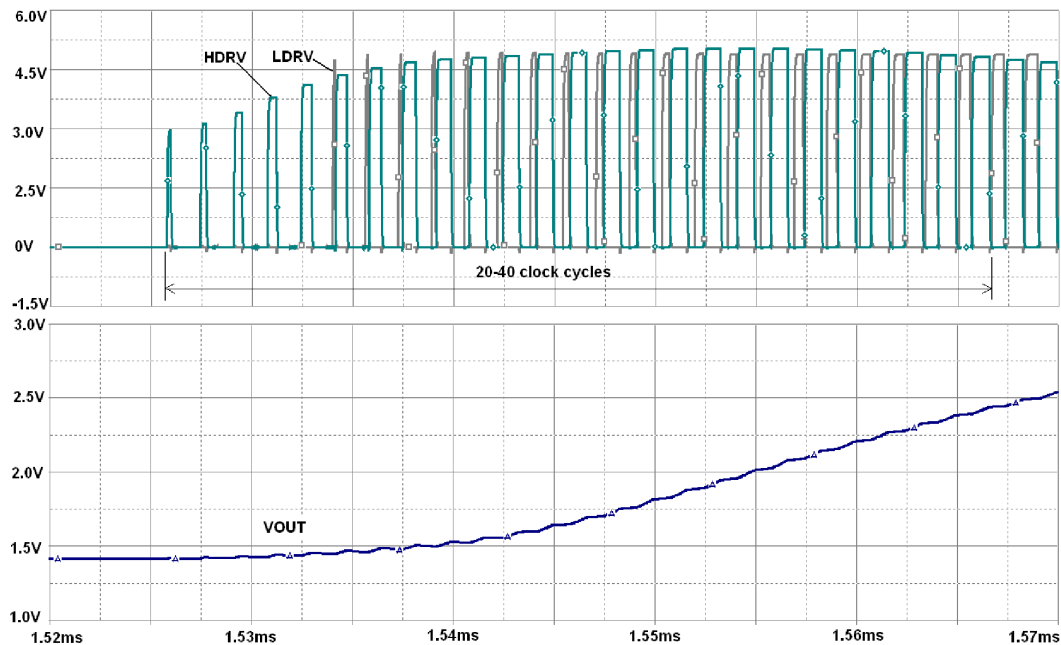


Figure 34. Start-Up Switching Waveform During Pre-Biased Condition

If the output is pre-biased to a voltage higher than the voltage commanded by the reference, then the PWM switching does not start.

NOTE

When output is pre-biased at V_{PREBIAS} , that voltage also applies to the SW node during start-up. When the pre-bias circuitry commands the first few high-side pulses before the first low-side pulse is initiated, the gate voltage for the high-side MOSFET is as described in [Equation 18](#). Alternatively, if the pre-bias level is high, it is possible that SCP can be tripped due to high the turnon resistance of the high-side MOSFET with low gate voltage. Once tripped, the device resets and then attempts to restart. The device may not be able to start up until the output is discharged to a lower voltage level either by an active load or through feedback resistors.

In the case of a high pre-bias level, a low gate-threshold-voltage-rated device is recommended for the high-side MOSFET, and increasing the SCP level also helps alleviate the problem.

$$V_{\text{GATE(hs)}} = (V_{\text{BP}} - V_{\text{DFWD}} - V_{\text{PRE-BIAS}})$$

where

- $V_{\text{GATE(hs)}}$ is the gate voltage for the high-side MOSFET.
- V_{BP} is the BP regulator output.
- V_{DFWD} is bootstrap diode forward voltage.

(18)

Power Good (PGOOD)

The TPS40170 provides an indication that the output voltage of the converter is within the specified limits of regulation as measured at the FB pin. The PGOOD pin is an open-drain signal and pulls low when any condition exists which would indicate that the output of the supply might be out of regulation. These conditions include:

- V_{VFB} is not within the PGOOD threshold limits.
- Soft-start is active, that is, the SS pin voltage is below $V_{SS,FLT,HIGH}$ limit.
- An undervoltage condition exists for the device.
- An overcurrent or short-circuit fault is detected.
- An overtemperature fault is detected.

Figure 35 shows a situation where no fault is detected during the start-up, (the normal PGOOD situation). It shows that PGOOD goes high t_{PGD} (20 μ s, typ.) after all the conditions (previously listed) are met.

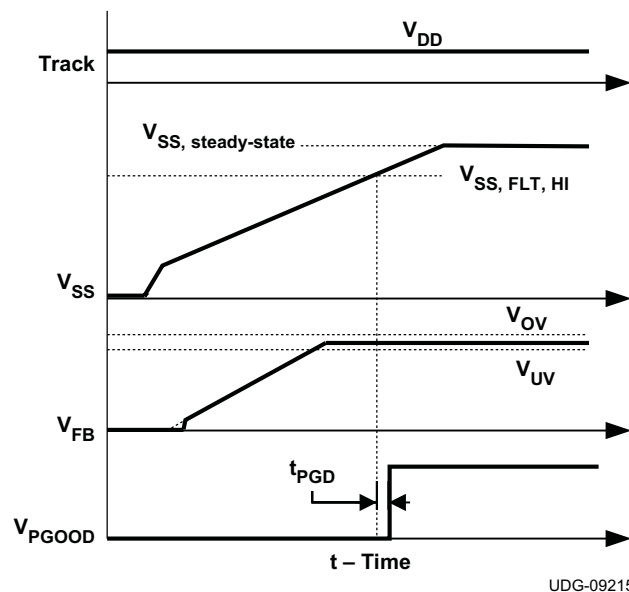


Figure 35. PGOOD Signal

When there is no power to the device, PGOOD is not able to pull close to GND if an auxiliary supply is used for the power-good indication. In this case, a built-in resistor connected from drain to gate on the PGOOD pulldown device allows the PGOOD pin to operate as a diode to GND.

PGND and AGND

NOTE

TPS40170 provides separate signal ground (AGND) and power ground (PGND) pins. PGND is primarily used for gate-driver ground return. AGND is an internal logic-signal ground return. These two ground signals are internally loosely connected by two anti-parallel diodes. PGND and AGND must be electrically connected externally.

Bootstrap Capacitor

A bootstrap capacitor with a value between 0.1 μ F and 0.22 μ F must be placed between the BOOT pin and the SW pin. It should be 10 times higher than MOSFET gate capacitance.

Bypass and Filtering

In an integrated circuit, supply bypassing is important for jitter-free operation. To decrease noise in the converter, ceramic bypass capacitors must be placed as close to the package as possible.

1. VIN to GND: use a 0.1- μ F ceramic capacitor.
2. BP to GND: use a 1- μ F to 10- μ F ceramic capacitor. It should be 10 times greater than the bootstrap capacitance.
3. VDD to GND: use a 0.1- μ F to 1- μ F ceramic capacitor .

Design Hints

Bootstrap Resistor

A small resistor in series with the bootstrap capacitor reduces the turnon time of the internal MOSFET, thereby reducing the rising edge ringing of the SW node and reducing shoot-through induced by dv/dt . A bootstrap resistor value that is too large delays the turnon time of the high-side switch and may trigger an apparent SCP fault. See the [Design Examples](#) section.

SW-Node Snubber Capacitor

Observable voltage ringing at the SW node is caused by fast switching edges and parasitic inductance and capacitance. If the ringing results in excessive voltage on the SW node, or erratic operation of the converter, an R-C snubber may be used to dampen the ringing and ensure proper operation over the full load range. See the [Design Examples](#) section.

Input Resistor

The TPS40170 has a wide input-voltage range, which allows for the device input to share a power source with the power-stage input. Power-stage switching noise may pollute the device power source if the layout is not adequate in minimizing noise. Power-stage switching noise may trigger a short-circuit fault. If so, adding a small resistor between the device input and power-stage input is recommended. This resistor, together with the device input capacitor, composes an R-C filter that filters out the switching noise from power stage. See the [Design Examples](#) section.

LDRV Gate Capacitor

Power-device selection is important for proper switching operation. If the low-side MOSFET has low gate capacitance C_{gs} (if $C_{gs} < C_{gd}$), there is a risk of short-through induced by high dv/dt at the switching node (See reference[1]) during high-side turnon. If this happens, add a small capacitance between LDRV and GND. See the [Design Examples](#) section.

DESIGN EXAMPLES

Introduction

The wide-input TPS40170 controller can function in a very wide range of applications. This example describes the design process for a very wide-input (10 V to 60 V) to regulated 5-V output at a load current of 6 A. The design parameters are provided in [Table 1](#).

Table 1. Design Example Parameters

PARAMETER		TEST CONDITIONS	MIN	NOM	MAX	UNIT
V _{IN}	Input voltage		10		60	V
V _{IN(ripple)}	Input ripple	I _{OUT} = 6 A			0.5	V
V _{OUT}	Output voltage	0 A ≤ I _{OUT} ≤ 20 A	4.8	5	5.2	V
	Line regulation	10 V ≤ V _{IN} ≤ 60 V			0.5%	
	Load regulation	0 A ≤ I _{OUT} ≤ 6 A			0.5%	
V _{RIPPLE}	Output ripple	I _{OUT} = 6 A			100	mV
V _{OVER}	Output overshoot	ΔI _{OUT} = 2.5 A		250		mV
V _{UNDER}	Output undershoot	ΔI _{OUT} = -2.5 A		250		mV
I _{OUT}	Output current	10 V ≤ V _{IN} ≤ 60 V	0		6	A
t _{SS}	Soft-start time	V _{IN} = 24 V		4		ms
I _{SCP}	Short circuit current trip point		8			A
η	Efficiency	V _{IN} = 24 V, I _{OUT} = 6 A		94%		
f _{SW}	Switching frequency			300		kHz
	Size				1.5	in ²

Design Procedure

Select A Switching Frequency

To maintain acceptable efficiency and meet minimum on-time requirements, a 300-kHz switching frequency is selected.

Inductor Selection (L1).

Synchronous buck power inductors are typically sized for approximately 20%–40% of peak-to-peak ripple current (I_{RIPPLE}). Given this target ripple current, the required inductor size can be calculated in [Equation 19](#).

$$L \approx \frac{V_{IN(max)} - V_{OUT}}{0.3 \times I_{OUT}} \times \frac{V_{OUT}}{V_{IN(max)}} \times \frac{1}{f_{SW}} = \frac{60V - 5V}{0.3 \times 6A} \times \frac{5V}{60V} \times \frac{1}{300kHz} = 8.5 \mu H \quad (19)$$

Selecting a standard 8.2-μH inductor value, solving for I_{RIPPLE} = 1.86 A.

The rms current through the inductor is approximated by [Equation 20](#).

$$I_{L(rms)} = \sqrt{\left(I_{L(avg)}\right)^2 + \left(\frac{1}{12} \times I_{RIPPLE}\right)^2} = \sqrt{\left(I_{OUT}\right)^2 + \left(\frac{1}{12} \times I_{RIPPLE}\right)^2} = \sqrt{(6)^2 + \frac{1}{12} \times (1.86)^2} = 6.02A \quad (20)$$

Output Capacitor Selection (C9)

The selection of the output capacitor is typically driven by the output transient response. [Equation 21](#) and [Equation 22](#) overestimate the voltage deviation to account for delays in the loop bandwidth and can be used to determine the required output capacitance:

$$V_{OVER} < \frac{I_{TRAN}}{C_{OUT}} \times \Delta T = \frac{I_{TRAN}}{C_{OUT}} \times \frac{I_{TRAN} \times L}{V_{OUT}} = \frac{\left(I_{TRAN}\right)^2 \times L}{V_{OUT} \times C_{OUT}} \quad (21)$$

$$V_{\text{UNDER}} < \frac{I_{\text{TRAN}}}{C_{\text{OUT}}} \times \Delta T = \frac{I_{\text{TRAN}}}{C_{\text{OUT}}} \times \frac{I_{\text{TRAN}} \times L}{(V_{\text{IN}} - V_{\text{OUT}})} = \frac{(I_{\text{TRAN}})^2 \times L}{(V_{\text{IN}} - V_{\text{OUT}}) \times C_{\text{OUT}}} \quad (22)$$

If $V_{\text{IN}(\text{min})} > 2 \times V_{\text{OUT}}$, use overshoot to calculate minimum output capacitance. If $V_{\text{IN}(\text{min})} < 2 \times V_{\text{OUT}}$, use undershoot to calculate minimum output capacitance.

$$C_{\text{OUT}(\text{min})} = \frac{(I_{\text{TRAN}(\text{max})})^2 \times L}{V_{\text{OUT}} \times V_{\text{OVER}}} = \frac{(3)^2 \times 8.2 \mu\text{H}}{5 \times 250 \text{mV}} = 59 \mu\text{F} \quad (23)$$

With a minimum capacitance, the maximum allowable ESR is determined by the maximum ripple voltage and is approximated by [Equation 24](#).

$$\text{ESR}_{\text{MAX}} = \frac{V_{\text{RIPPLE}(\text{tot})} - V_{\text{RIPPLE}(\text{cap})}}{I_{\text{RIPPLE}}} = \frac{V_{\text{RIPPLE}(\text{tot})} - \left(\frac{I_{\text{RIPPLE}}}{8 \times C_{\text{OUT}} \times f_{\text{SW}}} \right)}{I_{\text{RIPPLE}}} = \frac{100 \text{mV} - \left(\frac{1.86 \text{A}}{8 \times 59 \mu\text{F} \times 300 \text{kHz}} \right)}{1.86 \text{A}} = 47 \text{m}\Omega \quad (24)$$

Two 1210, 22- μF , 16-V X7R ceramic capacitors plus two 0805 10- μF , 16-V X7R ceramic capacitors are selected to provide more than 59 μF of minimum capacitance (including tolerance and dc bias derating) and less than 47 m Ω of ESR (parallel ESR of approximately 4 m Ω).

Peak Current Rating of Inductor

With output capacitance, it is possible to calculate the charge current during start-up and determine the minimum saturation-current rating for the inductor. The start-up charging current is approximated by [Equation 25](#).

$$I_{\text{CHARGE}} = \frac{V_{\text{OUT}} \times C_{\text{OUT}}}{t_{\text{SS}}} = \frac{5 \text{V} \times (2 \times 22 \mu\text{F} + 2 \times 10 \mu\text{F})}{4 \text{ms}} = 0.08 \text{A} \quad (25)$$

$$I_{\text{L}(\text{peak})} = I_{\text{OUT}(\text{max})} + \left(\frac{1}{2} \times I_{\text{RIPPLE}} \right) + I_{\text{CHARGE}} = 6 \text{A} + \frac{1}{2} \times 1.86 \text{A} + 0.08 \text{A} = 7.01 \text{A} \quad (26)$$

An IHLP5050FDER8R2M01 8.2- μH capacitor is selected. This 10-A, 16-m Ω inductor exceeds the minimum inductor ratings in a 13-mm \times 13-mm package.

Input Capacitor Selection (C1, C6)

The input voltage ripple is divided between capacitance and ESR. For this design, $V_{\text{RIPPLE}(\text{cap})} = 400 \text{mV}$ and $V_{\text{RIPPLE}(\text{ESR})} = 100 \text{mV}$. The minimum capacitance and maximum ESR are estimated by:

$$C_{\text{IN}(\text{min})} = \frac{I_{\text{LOAD}} \times V_{\text{OUT}}}{V_{\text{RIPPLE}(\text{cap})} \times V_{\text{IN}} \times f_{\text{SW}}} = \frac{6 \text{A} \times 5 \text{V}}{400 \text{mV} \times 10 \text{V} \times 300 \text{kHz}} = 25 \mu\text{F} \quad (27)$$

$$\text{ESR}_{\text{MAX}} = \frac{V_{\text{RIPPLE}(\text{esr})}}{I_{\text{LOAD}} + \frac{1}{2} \times I_{\text{RIPPLE}}} = \frac{100 \text{mV}}{6.93 \text{A}} = 14.4 \text{m}\Omega \quad (28)$$

The rms current in the input capacitors is estimated in [Equation 29](#).

$$I_{\text{RMS}(\text{cin})} = I_{\text{LOAD}} \times \sqrt{D \times (1 - D)} = 6 \text{A} \times \sqrt{0.5 \times (1 - 0.5)} = 3.0 \text{A} \quad (29)$$

To achieve these values, four 1210, 2.2- μF , 100-V, X7R ceramic capacitors plus a 120- μF electrolytic capacitor are combined at the input. This provides a smaller size and overall cost than 10 ceramic input capacitors or an electrolytic capacitor with the ESR required.

Table 2. Inductor Summary

PARAMETER		VALUE	UNIT
L	Inductance	8.2	μH
$I_{\text{L}(\text{rms})}$	RMS current (thermal rating)	6.02	A
$I_{\text{L}(\text{peak})}$	Peak current (saturation rating)	7.01	A

MOSFET Switch Selection (Q1, Q2)

Using the J/K method for MOSFET optimization, apply [Equation 30](#) through [Equation 33](#).

High-side gate (Q1):

$$J = (10)^{-9} \times \left(\frac{V_{IN} \times I_{OUT}}{I_{DRIVE}} + \frac{Q_G}{Q_{SW}} \times V_{DRIVE} \right) \times f_{SW} \left(\frac{W}{nC} \right) \quad (30)$$

$$K = (10)^{-3} \left((I_{OUT})^2 + \frac{1}{12} \times (I_{P-P})^2 \right) \times \left(\frac{V_{OUT}}{V_{IN}} \right) \left(\frac{W}{m\Omega} \right) \quad (31)$$

Low-side gate (Q2):

$$K = (10)^{-3} \left((I_{OUT})^2 + \frac{1}{12} \times (I_{P-P})^2 \right) \times \left(1 - \frac{V_{OUT}}{V_{IN}} \right) \left(\frac{W}{m\Omega} \right) \quad (32)$$

$$J = 10^{-9} \left(\frac{V_{FD} \times I_{OUT}}{I_{DRIVE}} + \frac{Q_G}{Q_{SW}} \times V_{DRIVE} \right) \times f_{SW} \left(\frac{W}{nC} \right) \quad (33)$$

Optimizing for 300 kHz, 24-V input, 5-V output at 6 A, calculate ratios of 5.9 mΩ/nC and 0.5 mΩ/nC for the high-side and low-side FETS, respectively. BSC110N06NS2 (ratio 1.2) and BSC076N06NS3 (ratio 0.69) MOSFETS are selected.

Timing Resistor (R7)

The switching frequency is programmed by the current through R_{RT} to GND. The R_{RT} value is calculated using [Equation 34](#).

$$R_{RT} = \frac{(10)^4}{f_{SW}} - 2k\Omega = \frac{(10)^4}{300kHz} - 2 = 31.3k\Omega \approx 31.6k\Omega \quad (34)$$

UVLO Programming Resistors (R2, R6)

The UVLO hysteresis level is programmed by R2 using [Equation 35](#).

$$R_{UVLO(hys)} = \frac{V_{UVLO(on)} - V_{UVLO(off)}}{I_{UVLO}} = \frac{9V - 8V}{5.0\mu A} = 200k\Omega \quad (35)$$

$$R_{UVLO(set)} > R_{UVLO(hys)} \frac{V_{UVLO(max)}}{(V_{UVLO_ON(min)} - V_{UVLO(max)})} = 200k\Omega \frac{0.919V}{(9.0V - 0.919V)} = 22.7k\Omega \approx 22.1k\Omega \quad (36)$$

Bootstrap Capacitor (C7)

To ensure proper charging of the high-side FET gate, limit the ripple voltage on the boost capacitor to less than 250 mV.

$$C_{BOOST} = \frac{Q_{G1}}{V_{BOOT(ripple)}} = \frac{25nC}{250mV} = 100nF \quad (37)$$

VIN Bypass Capacitor (C18)

Place a capacitor with a value of 1 μF. Select a capacitor with a value between 0.1 μF and 1.0 μF, X5R or better ceramic bypass capacitor for VIN as specified in [Table 3](#). For this design, a 1.0-μF, 100 V, X7R capacitor has been selected.

VBP Bypass Capacitor (C19)

Select a capacitor with a value between 1 μF and 10 μF, X5R or better ceramic bypass capacitor for BP as specified in [Table 3](#). For this design a 4.7-μF, 16 V capacitor has been selected.

TPS40170-EP

SLVSBT7A – MARCH 2013 – REVISED APRIL 2013

www.ti.com

SS Timing Capacitor (C15)

The soft-start capacitor provides a smooth ramp of the error-amplifier reference voltage for controlled start-up. The soft-start capacitor is selected by using [Equation 38](#).

$$C_{SS} = \frac{t_{SS}}{0.09} = \frac{4 \text{ ms}}{0.09} = 44 \text{ nF} \approx 47 \text{ nF} \quad (38)$$

ILIM Resistor (R19, C17)

The TPS40170 uses the negative drop across the low-side FET at the end of the OFF time to measure the inductor current. Allowing for 30% over the minimum current limit for transient recovery and a 20% rise in $R_{DS(on)Q2}$ for self-heating of the MOSFET, the voltage drop across the low-side FET at the current limit is given by [Equation 39](#).

$$V_{OC} = \left((1.3 \times I_{OCP(min)}) + \left(\frac{1}{2} \times I_{RIPPLE} \right) \right) \times 1.25 \times R_{DS(on)G2} = (1.3 \times 8 \text{ A} + \frac{1}{2} \times 1.86 \text{ A}) \times 1.25 \times 7.6 \text{ m}\Omega = 107.6 \text{ mV} \quad (39)$$

The internal current-limit temperature coefficient helps compensate for the MOSFET $R_{DS(on)}$ temperature coefficient, so the current-limit programming resistor is selected by [Equation 40](#).

$$R_{CS} = \frac{V_{OC}}{I_{OCSET(min)}} = \frac{107.6 \text{ mV}}{9.0 \mu\text{A}} = 12.0 \text{ k}\Omega \approx 12.1 \text{ k}\Omega \quad (40)$$

A 1000-pF capacitor is placed in parallel to improve noise immunity of the current-limit set-point.

SCP Multiplier Selection (R5)

The TPS40170 controller uses a multiplier (A_{OC}) to translate the low-side overcurrent protection into a high-side $R_{DS(on)}$ pulse-by-pulse short-circuit protection. Ensure that [Equation 41](#) is true.

$$A_{OC} > \frac{I_{OCP(min)} + \left(\frac{1}{2} \times I_{RIPPLE} \right)}{I_{OCP(min)} + \left(\frac{1}{2} \times I_{RIPPLE} \right)} \times \frac{R_{DS(on)Q1}}{R_{DS(on)Q2}} = \frac{8 \text{ A} + \frac{1}{2} \times 1.86 \text{ A}}{8 \text{ A} + \frac{1}{2} \times 1.86 \text{ A}} \times \frac{11 \text{ m}\Omega}{7.6 \text{ m}\Omega} = 1.45 \quad (41)$$

$A_{OC} = 3$ is selected as the next-greater A_{OC} . The value of R5 is set to 10 k Ω .

Feedback Divider (R10, R11)

The TPS40170 controller uses a full operational amplifier with an internally fixed 0.6-V reference. The value of R11 is selected between 10 k Ω and 50 k Ω for a balance of feedback current and noise immunity. With the value of R11 set to 20 k Ω , the output voltage is programmed with a resistor divider given by [Equation 42](#).

$$R10 = \frac{V_{FB} \times R11}{(V_{OUT} - V_{FB})} = \frac{0.600 \text{ V} \times 20.0 \text{ k}\Omega}{(5.0 \text{ V} - 0.600 \text{ V})} = 2.73 \text{ k}\Omega \approx 2.74 \text{ k}\Omega \quad (42)$$

Compensation: (R4, R13, C13, C14, C21)

Using the TPS40k Loop Stability Tool for a 60-kHz bandwidth and a 50° phase margin with an R10 value of 20 k Ω , the following values are obtained. The tool is available from the TI Web site, Literature Number [SLUC263](#).

- C21 = C1 = 1500 pF
- C13 = C2 = 8200 pF
- C14 = C3 = 220 pF
- R13 = R2 = 511 Ω
- R4 = R3 = 3.83 k Ω

Typical Performance Characteristics

Figure 36 shows an efficiency graph for this design with 10-V to 60-V input and 5-V at 6-A output. Figure 37 shows a 24-V to 5-V at 6-A loop response, where $V_{IN} = 24\text{ V}$ and $I_{OUT} = 6\text{ A}$, yielding 58-kHz bandwidth, 51° phase margin. Figure 38 shows the output ripple 20 mV/div, 2 μs/div, 20 MHz bandwidth.

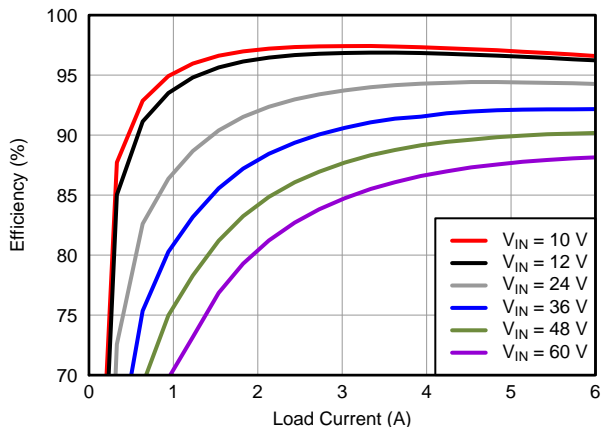


Figure 36. Efficiency vs Load Current

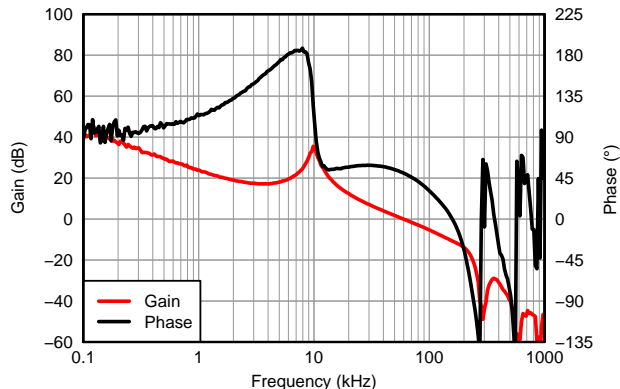


Figure 37. Loop Response

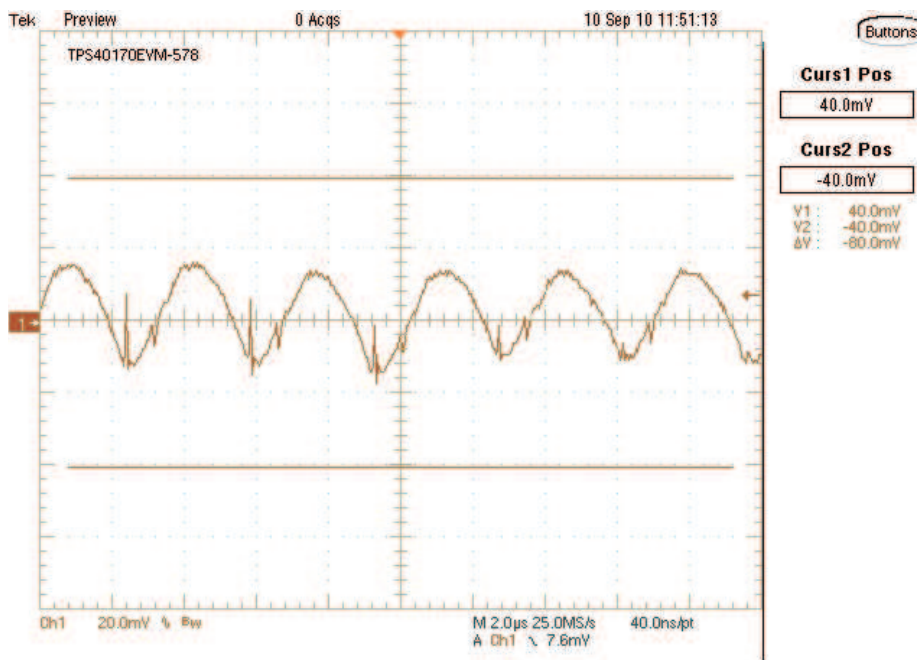


Figure 38. Output Ripple Waveform

TPS40170-EP

SLVSBT7A – MARCH 2013 – REVISED APRIL 2013

www.ti.com

Schematic

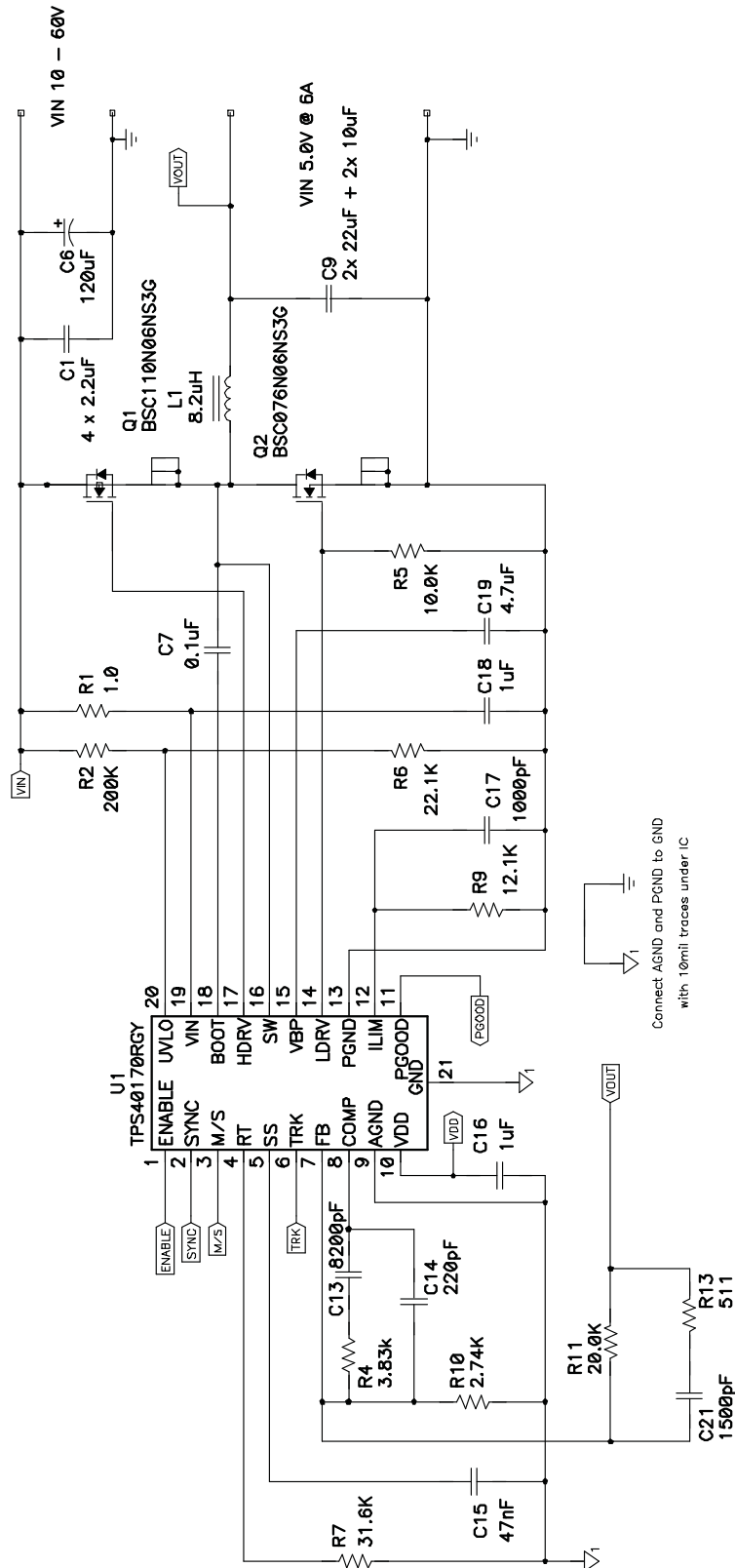


Figure 39. Design Example Application

List of Materials
Table 3. Design Example List of Materials

REFERENCE DESIGNATOR	QTY	VALUE	DESCRIPTION	SIZE	PART NUMBER	MANUF
C1	4	2.2 μ F	Capacitor, ceramic, 100-V, X7R, 15%	1210	Std	Std
C6	1	120 μ F	Capacitor, aluminum, 63-V, 20%, KZE series	0.315 inch (0.8 cm)	KZE63VB121M10X16LL	Chemi-con
C7	1	0.1 μ F	Capacitor, ceramic, 50-V, X7R, 15%	603	Std	Std
C9	2 ea	22 μ F 10 μ F	Capacitor, ceramic, 16-V, X7R, 15%	1210	Std	Std
C13	1	8200 pF	Capacitor, ceramic, 50-V, X7R, 15%	603	Std	Std
C14	1	220 pF	Capacitor, ceramic, 50-V, X7R, 15%	603	Std	Std
C15	1	47 nF	Capacitor, ceramic, 50-V, X7R, 15%	603	Std	Std
C16	1	1 μ F	Capacitor, 16-V, X7R, 15%	603	Std	Std
C17	1	1000 pF	Capacitor, ceramic, 50-V, X7R, 15%	603	Std	Std
C18	1	1 μ F	Capacitor, ceramic, 100-V, X7R, 15%	1206	Std	Std
C19	1	4.7 μ F	Capacitor, ceramic, 16-V, X5R, 15%	805	Std	Std
C21	1	1500 pF	Capacitor, ceramic, 50-V, X7R, 15%	603	Std	Std
L1	1	8.2 μ H	Inductor, SMT, 10-A, 16-m Ω	0.51 inch ² (1.3 cm ²)	IHLP5050FDER8R2M01	Vishay
Q1	1		MOSFET, N-channel, 60-V, 50-A, 11-m Ω		BSC110N06NS3G	Infineon
Q2	1		MOSFET, N-channel, 60-V, 50-A, 7.6-m Ω		BSC076N06NS3G	Infineon
R10	1	2.74 k Ω	Resistor, chip, 1/16W, 1%	603	Std	R603
R4	1	3.83 k Ω	Resistor, chip, 1/16W, 1%	603	Std	R603
R5	1	10.0 k Ω	Resistor, chip, 1/16W, 1%	603	Std	R603
R9	1	12.1 k Ω	Resistor, chip, 1/16W, 1%	603	Std	R603
R11	1	20.0 k Ω	Resistor, chip, 1/16W, 1%	603	Std	R603
R6	1	22.1 k Ω	Resistor, chip, 1/16W, 1%	603	Std	R603
R7	1	31.6 k Ω	Resistor, chip, 1/16W, 1%	603	Std	R603
R2	1	200 k Ω	Resistor, chip, 1/16W, 1%	603	Std	R603
R13	1	511 k Ω	Resistor, chip, 1/16W, 1%	603	Std	R603
U1			IC, 4.5 V–60 V wide input sync. PWM buck controller		TPS40170-Q1RGY	Texas Instruments

TPS40170-EP

SLVSBT7A – MARCH 2013 – REVISED APRIL 2013

www.ti.com

Layout Recommendations

Figure 40 illustrates an example layout. For the controller, it is important to connect carefully noise-sensitive signals such as RT, SS, FB, and COMP as close to the IC as possible and connect to AGND as shown. The thermal pad should be connected to any internal PCB ground planes using multiple vias directly under the IC. AGND and PGND should be connected at a single point.

When using high-performance FETs such as NexFET™ power MOSFETs from Texas Instruments, careful attention to the layout is required. Minimize the distance between the positive node of the input ceramic capacitor and the drain pin of the control (high-side) FET. Minimize the distance between the negative node of the input ceramic capacitor and the source pin of the synchronization (low-side) FET. Because of the large gate drive, smaller gate charge, and faster turnon times of the high-performance FETs, it is recommended to use a minimum of four 10- μ F ceramic input capacitors such as TDK #C3216X5R1A106M. Ensure the layout allows a continuous flow of the power planes.

The layout of the HPA578 EVM is shown in Figure 40 through Figure 43 for reference.

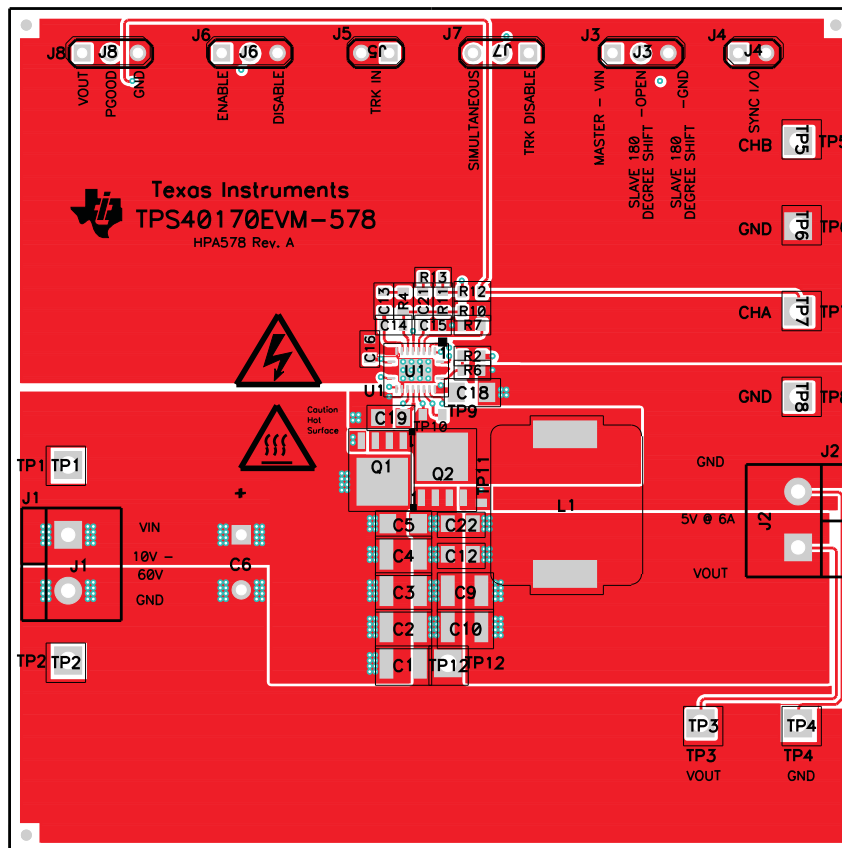


Figure 40. Top Copper, Viewed From Top

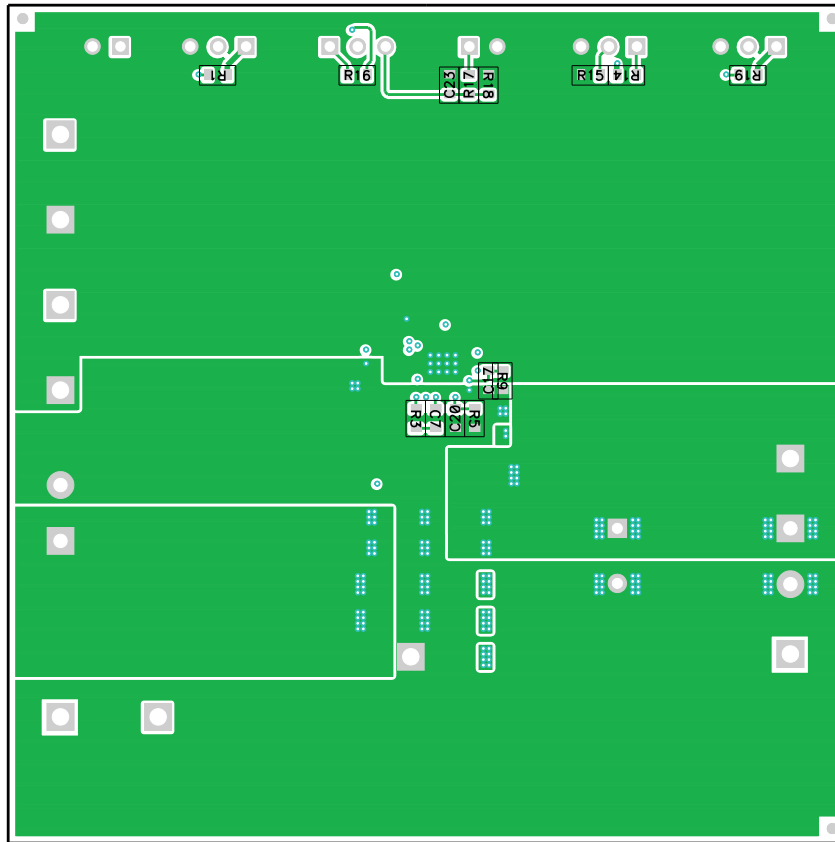


Figure 41. Bottom Copper, Viewed From Bottom

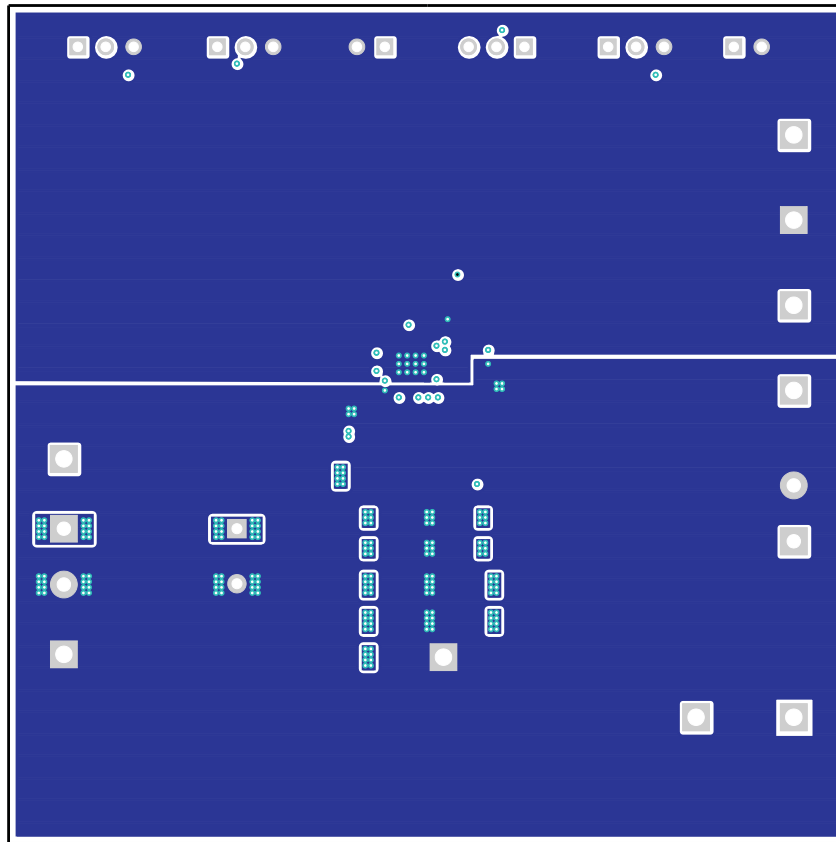


Figure 42. Internal Layer 1, Viewed From Top

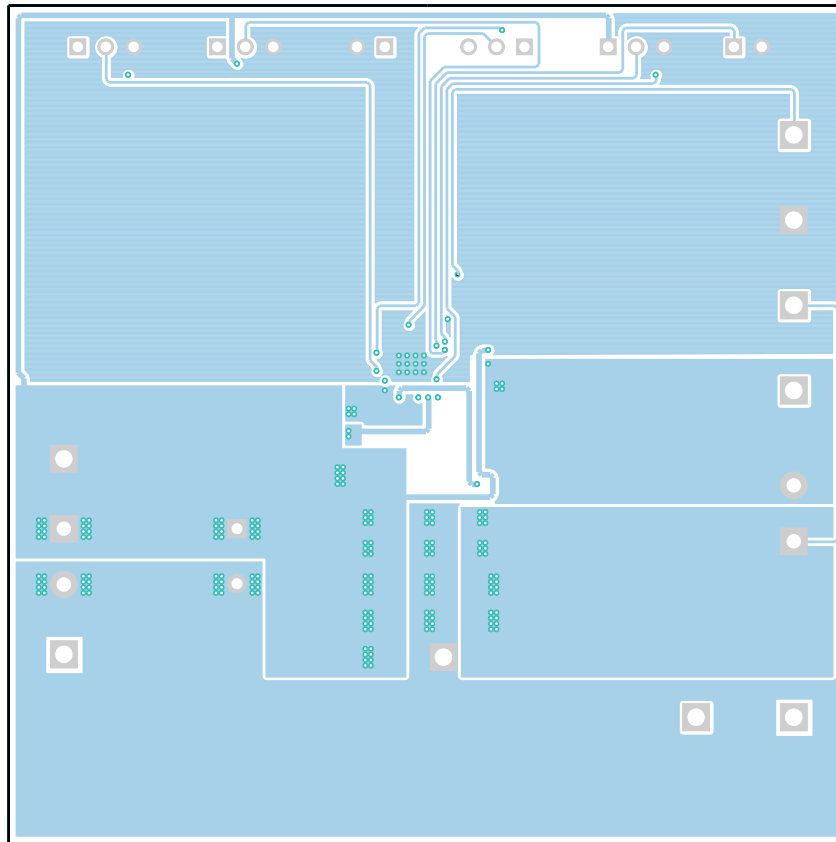


Figure 43. Internal Layer 2, Viewed From Top

TPS40170-EP

SLVSBT7A –MARCH 2013–REVISED APRIL 2013

www.ti.com

ADDITIONAL REFERENCES

1. Steve Mappus, *DV/DT Immunity Improved in Synchronous Buck Converters*. July, 2005, Power Electronics Technology.

RELATED DEVICES

The following devices have characteristics similar to the TPS40170 and may be of interest.

DEVICE	DESCRIPTION	TI LITERATURE NUMBER
TPS40057	Wide-input synchronous buck controller	SLUS593

PACKAGING INFORMATION

Orderable part number	Status (1)	Material type (2)	Package Pins	Package qty Carrier	RoHS (3)	Lead finish/ Ball material (4)	MSL rating/ Peak reflow (5)	Op temp (°C)	Part marking (6)
TPS40170MRGYTEP	Active	Production	VQFN (RGY) 20	250 SMALL T&R	Yes	NIPDAU	Level-2-260C-1 YEAR	-55 to 125	PZYM
TPS40170MRGYTEP.A	Active	Production	VQFN (RGY) 20	250 SMALL T&R	Yes	NIPDAU	Level-2-260C-1 YEAR	-55 to 125	PZYM
V62/13607-01XE	Active	Production	VQFN (RGY) 20	250 SMALL T&R	Yes	NIPDAU	Level-2-260C-1 YEAR	-55 to 125	PZYM

(1) **Status:** For more details on status, see our [product life cycle](#).

(2) **Material type:** When designated, preproduction parts are prototypes/experimental devices, and are not yet approved or released for full production. Testing and final process, including without limitation quality assurance, reliability performance testing, and/or process qualification, may not yet be complete, and this item is subject to further changes or possible discontinuation. If available for ordering, purchases will be subject to an additional waiver at checkout, and are intended for early internal evaluation purposes only. These items are sold without warranties of any kind.

(3) **RoHS values:** Yes, No, RoHS Exempt. See the [TI RoHS Statement](#) for additional information and value definition.

(4) **Lead finish/Ball material:** Parts may have multiple material finish options. Finish options are separated by a vertical ruled line. Lead finish/Ball material values may wrap to two lines if the finish value exceeds the maximum column width.

(5) **MSL rating/Peak reflow:** The moisture sensitivity level ratings and peak solder (reflow) temperatures. In the event that a part has multiple moisture sensitivity ratings, only the lowest level per JEDEC standards is shown. Refer to the shipping label for the actual reflow temperature that will be used to mount the part to the printed circuit board.

(6) **Part marking:** There may be an additional marking, which relates to the logo, the lot trace code information, or the environmental category of the part.

Multiple part markings will be inside parentheses. Only one part marking contained in parentheses and separated by a "-" will appear on a part. If a line is indented then it is a continuation of the previous line and the two combined represent the entire part marking for that device.

Important Information and Disclaimer: The information provided on this page represents TI's knowledge and belief as of the date that it is provided. TI bases its knowledge and belief on information provided by third parties, and makes no representation or warranty as to the accuracy of such information. Efforts are underway to better integrate information from third parties. TI has taken and continues to take reasonable steps to provide representative and accurate information but may not have conducted destructive testing or chemical analysis on incoming materials and chemicals. TI and TI suppliers consider certain information to be proprietary, and thus CAS numbers and other limited information may not be available for release.

In no event shall TI's liability arising out of such information exceed the total purchase price of the TI part(s) at issue in this document sold by TI to Customer on an annual basis.

OTHER QUALIFIED VERSIONS OF TPS40170-EP :

- Catalog : [TPS40170](#)

- Automotive : [TPS40170-Q1](#)

NOTE: Qualified Version Definitions:

- Catalog - TI's standard catalog product
- Automotive - Q100 devices qualified for high-reliability automotive applications targeting zero defects

TAPE AND REEL INFORMATION

QUADRANT ASSIGNMENTS FOR PIN 1 ORIENTATION IN TAPE


*All dimensions are nominal

Device	Package Type	Package Drawing	Pins	SPQ	Reel Diameter (mm)	Reel Width W1 (mm)	A0 (mm)	B0 (mm)	K0 (mm)	P1 (mm)	W (mm)	Pin1 Quadrant
TPS40170MRGYTEP	VQFN	RGY	20	250	180.0	12.4	3.71	4.71	1.1	8.0	12.0	Q1

TAPE AND REEL BOX DIMENSIONS


*All dimensions are nominal

Device	Package Type	Package Drawing	Pins	SPQ	Length (mm)	Width (mm)	Height (mm)
TPS40170MRGYTEP	VQFN	RGY	20	250	213.0	191.0	35.0

GENERIC PACKAGE VIEW

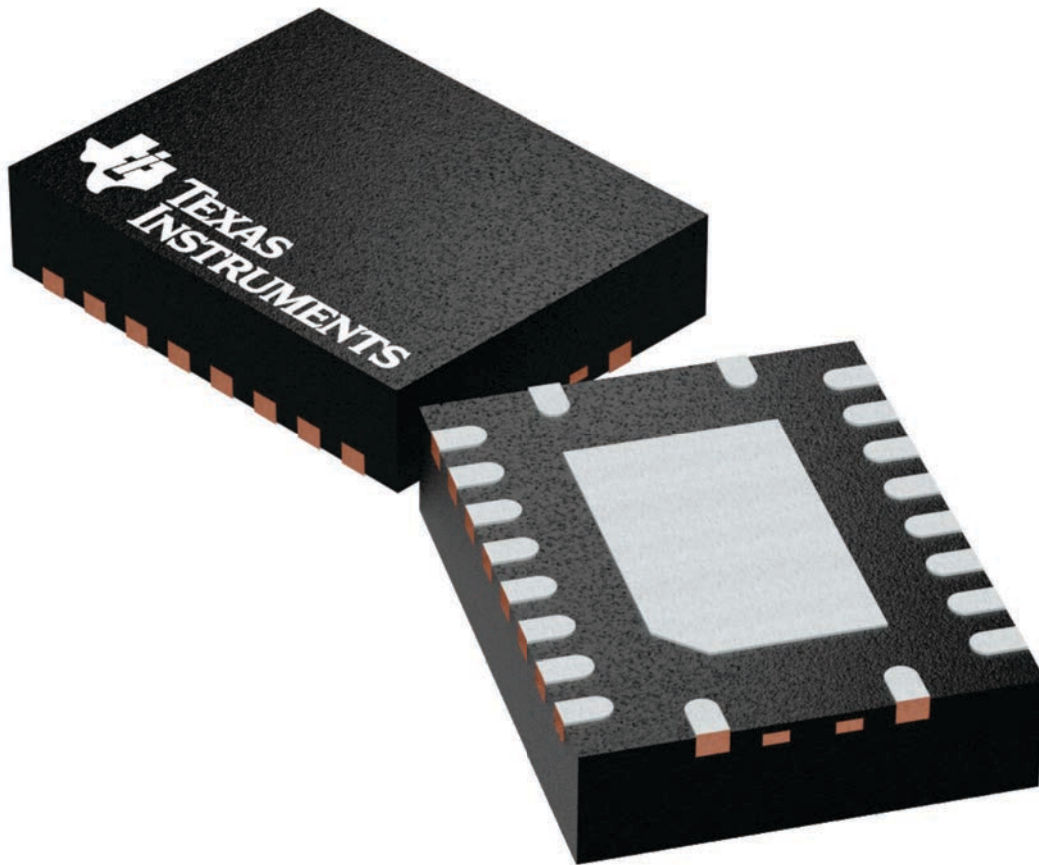
RGY 20

VQFN - 1 mm max height

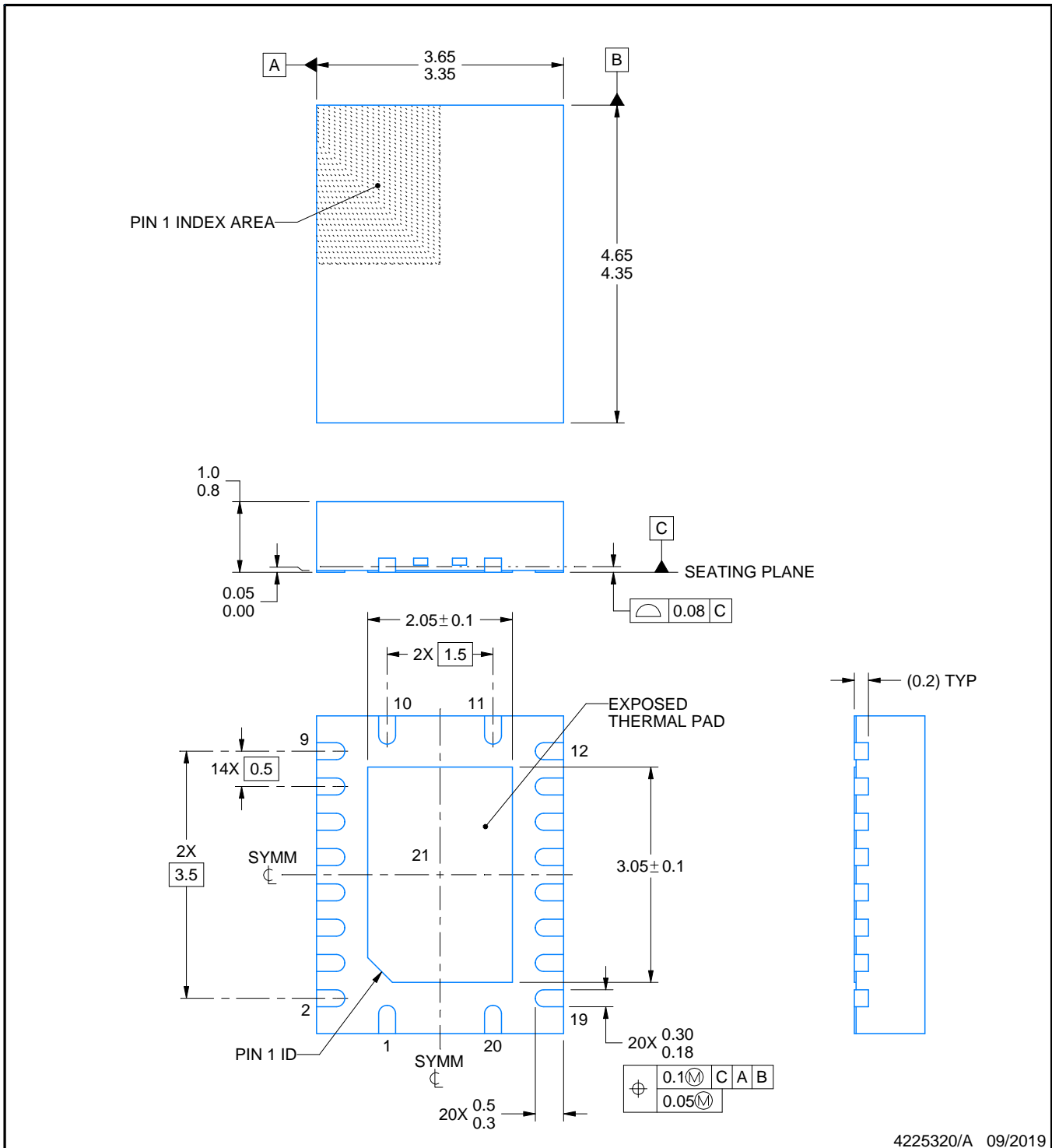
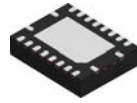
3.5 x 4.5, 0.5 mm pitch

PLASTIC QUAD FGLATPACK - NO LEAD

This image is a representation of the package family, actual package may vary.
Refer to the product data sheet for package details.



4225264/A



4225320/A 09/2019

NOTES:

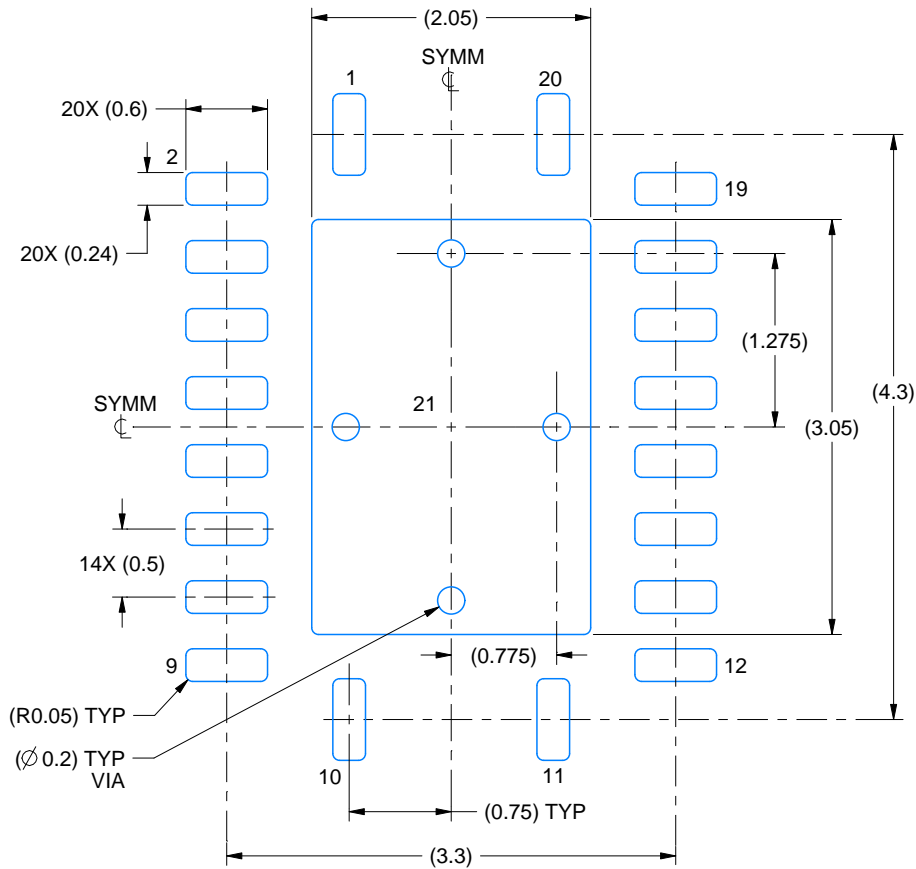
1. All linear dimensions are in millimeters. Any dimensions in parenthesis are for reference only. Dimensioning and tolerancing per ASME Y14.5M.
2. This drawing is subject to change without notice.
3. The package thermal pad must be soldered to the printed circuit board for thermal and mechanical performance.

EXAMPLE BOARD LAYOUT

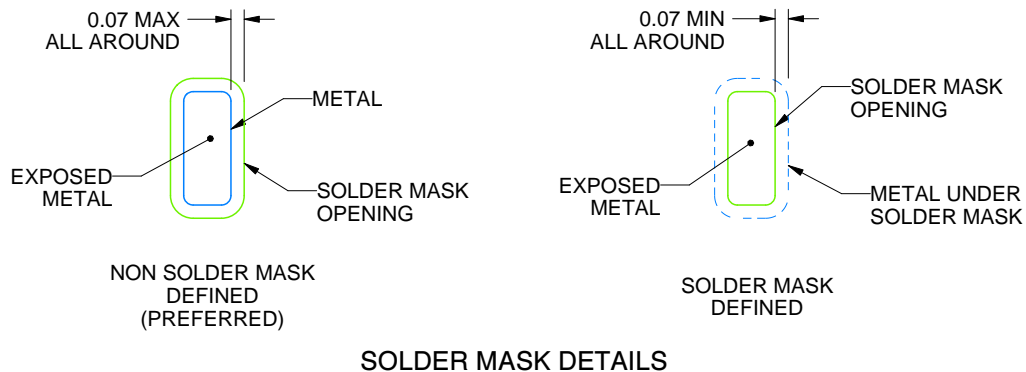
RGY0020A

VQFN - 1 mm max height

PLASTIC QUAD FLATPACK - NO LEAD



LAND PATTERN EXAMPLE
EXPOSED METAL SHOWN
SCALE:18X



SOLDER MASK DETAILS

4225320/A 09/2019

NOTES: (continued)

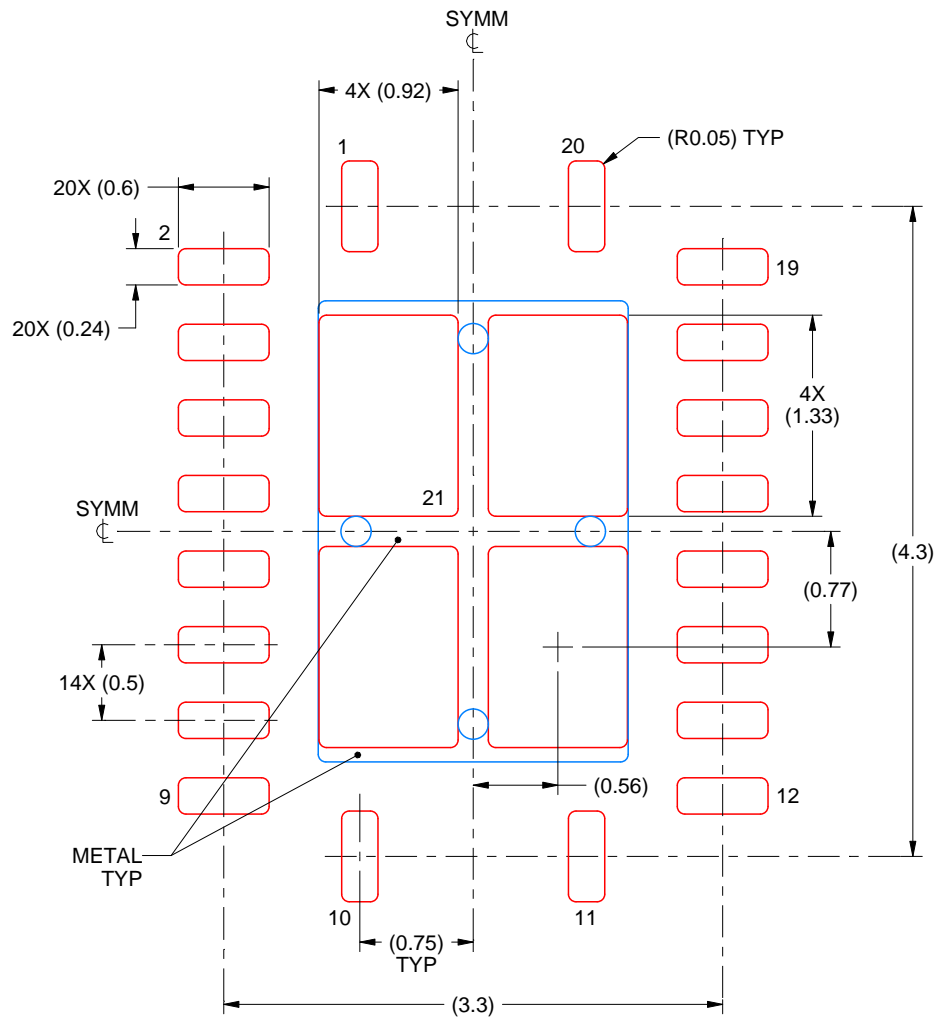
4. This package is designed to be soldered to a thermal pad on the board. For more information, see Texas Instruments literature number SLUA271 (www.ti.com/lit/sluea271).
5. Vias are optional depending on application, refer to device data sheet. If any vias are implemented, refer to their locations shown on this view. It is recommended that vias under paste be filled, plugged or tented.

EXAMPLE STENCIL DESIGN

RGY0020A

VQFN - 1 mm max height

PLASTIC QUAD FLATPACK - NO LEAD



SOLDER PASTE EXAMPLE
BASED ON 0.125 mm THICK STENCIL

EXPOSED PAD 21
78% PRINTED SOLDER COVERAGE BY AREA UNDER PACKAGE
SCALE:20X

4225320/A 09/2019

NOTES: (continued)

6. Laser cutting apertures with trapezoidal walls and rounded corners may offer better paste release. IPC-7525 may have alternate design recommendations.

IMPORTANT NOTICE AND DISCLAIMER

TI PROVIDES TECHNICAL AND RELIABILITY DATA (INCLUDING DATASHEETS), DESIGN RESOURCES (INCLUDING REFERENCE DESIGNS), APPLICATION OR OTHER DESIGN ADVICE, WEB TOOLS, SAFETY INFORMATION, AND OTHER RESOURCES "AS IS" AND WITH ALL FAULTS, AND DISCLAIMS ALL WARRANTIES, EXPRESS AND IMPLIED, INCLUDING WITHOUT LIMITATION ANY IMPLIED WARRANTIES OF MERCHANTABILITY, FITNESS FOR A PARTICULAR PURPOSE OR NON-INFRINGEMENT OF THIRD PARTY INTELLECTUAL PROPERTY RIGHTS.

These resources are intended for skilled developers designing with TI products. You are solely responsible for (1) selecting the appropriate TI products for your application, (2) designing, validating and testing your application, and (3) ensuring your application meets applicable standards, and any other safety, security, regulatory or other requirements.

These resources are subject to change without notice. TI grants you permission to use these resources only for development of an application that uses the TI products described in the resource. Other reproduction and display of these resources is prohibited. No license is granted to any other TI intellectual property right or to any third party intellectual property right. TI disclaims responsibility for, and you fully indemnify TI and its representatives against any claims, damages, costs, losses, and liabilities arising out of your use of these resources.

TI's products are provided subject to [TI's Terms of Sale](#), [TI's General Quality Guidelines](#), or other applicable terms available either on ti.com or provided in conjunction with such TI products. TI's provision of these resources does not expand or otherwise alter TI's applicable warranties or warranty disclaimers for TI products. Unless TI explicitly designates a product as custom or customer-specified, TI products are standard, catalog, general purpose devices.

TI objects to and rejects any additional or different terms you may propose.

Copyright © 2025, Texas Instruments Incorporated

Last updated 10/2025