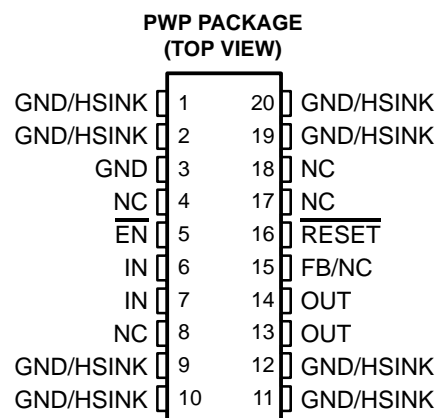


**TPS76715-EP, TPS76718-EP, TPS76725-EP, TPS76727-EP  
TPS76728-EP, TPS76730-EP, TPS76733-EP, TPS76750-EP, TPS76701-EP  
FAST-TRANSIENT-RESPONSE 1-A LOW-DROPOUT VOLTAGE REGULATORS**

SGLS157 – MARCH 2003

- **Controlled Baseline**
  - One Assembly/Test Site, One Fabrication Site
- **Extended Temperature Performance of –40°C to 125°C**
- **Enhanced Diminishing Manufacturing Sources (DMS) Support**
- **Enhanced Product Change Notification**
- **Qualification Pedigree†**
- **1 A Low-Dropout Voltage Regulator**
- **Available in 1.5-V, 1.8-V, 2.5-V, 2.7-V, 2.8-V, 3.0-V, 3.3-V, 5.0-V Fixed Output and Adjustable Versions**
- **Dropout Voltage Down to 230 mV at 1 A (TPS76750)**
- **Ultralow 85  $\mu$ A Typical Quiescent Current**
- **Fast Transient Response**
- **2% Tolerance Over Specified Conditions for Fixed-Output Versions**
- **Open Drain Power-On Reset With 200-ms Delay (See TPS768xx for PG Option)**
- **20-Pin TSSOP PowerPAD™ (PWP) Package**
- **Thermal Shutdown Protection**

† Component qualification in accordance with JEDEC and industry standards to ensure reliable operation over an extended temperature range. This includes, but is not limited to, Highly Accelerated Stress Test (HAST) or biased 85/85, temperature cycle, autoclave or unbiased HAST, electromigration, bond intermetallic life, and mold compound life. Such qualification testing should not be viewed as justifying use of this component beyond specified performance and environmental limits.



NC – No internal connection

## description

This device is designed to have a fast transient response and be stable with 10- $\mu$ F low ESR capacitors. This combination provides high performance at a reasonable cost.

Because the PMOS device behaves as a low-value resistor, the dropout voltage is very low (typically 230 mV at an output current of 1 A for the TPS76750) and is directly proportional to the output current. Additionally, since the PMOS pass element is a voltage-driven device, the quiescent current is very low and independent of output loading (typically 85  $\mu$ A over the full range of output current, 0 mA to 1 A). These two key specifications yield a significant improvement in operating life for battery-powered systems. This LDO family also features a sleep mode; applying a TTL high signal to  $\overline{\text{EN}}$  (enable) shuts down the regulator, reducing the quiescent current to 1  $\mu$ A at  $T_J = 25^\circ\text{C}$ .

The  $\overline{\text{RESET}}$  output of the TPS767xx initiates a reset in microcomputer and microprocessor systems in the event of an undervoltage condition. An internal comparator in the TPS767xx monitors the output voltage of the regulator to detect an undervoltage condition on the regulated output voltage.

The TPS767xx is offered in 1.5-V, 1.8-V, 2.5-V, 2.7-V, 2.8-V, 3.0-V, 3.3-V, and 5.0-V fixed-voltage versions and in an adjustable version (programmable over the range of 1.5 V to 5.5 V). Output voltage tolerance is specified as a maximum of 2% over line, load, and temperature ranges. The TPS767xx family is available in a 20-pin PWP package.



Please be aware that an important notice concerning availability, standard warranty, and use in critical applications of Texas Instruments semiconductor products and disclaimers thereto appears at the end of this data sheet.

PowerPAD is a trademark of Texas Instruments.

PRODUCTION DATA information is current as of publication date. Products conform to specifications per the terms of Texas Instruments standard warranty. Production processing does not necessarily include testing of all parameters.

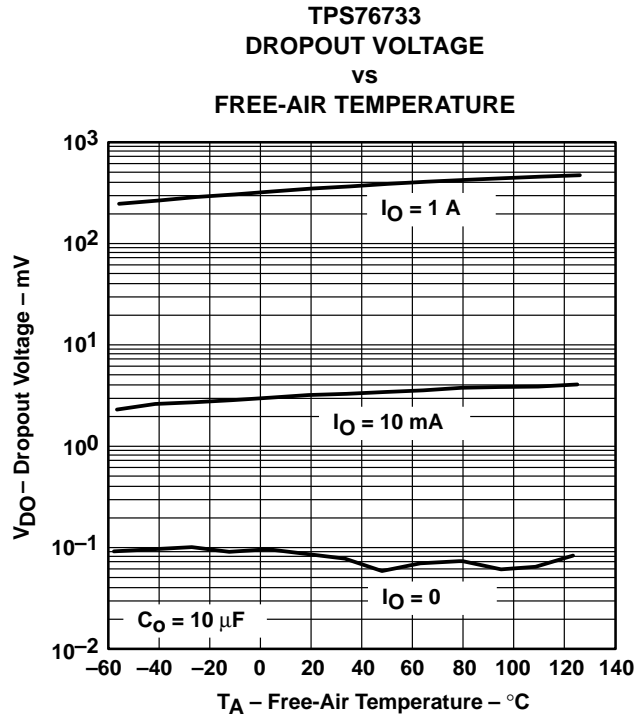


POST OFFICE BOX 655303 • DALLAS, TEXAS 75265

Copyright © 2003, Texas Instruments Incorporated

TPS76715-EP, TPS76718-EP, TPS76725-EP, TPS76727-EP  
 TPS76728-EP, TPS76730-EP, TPS76733-EP, TPS76750-EP, TPS76701-EP  
**FAST-TRANSIENT-RESPONSE 1-A LOW-DROPOUT VOLTAGE REGULATORS**

SGLS157 – MARCH 2003



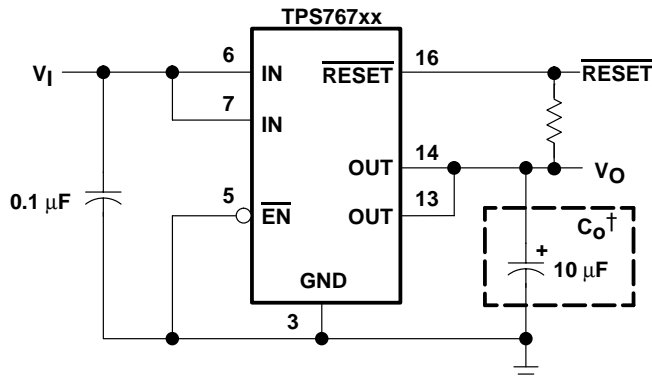
**AVAILABLE OPTIONS**

| T <sub>J</sub> | OUTPUT VOLTAGE (V)           | TSSOP (PWP) <sup>†</sup> |
|----------------|------------------------------|--------------------------|
|                | TYP                          |                          |
| -40°C to 125°C | 5.0                          | TPS76750QPWPREP          |
|                | 3.3                          | TPS76733QPWPREP          |
|                | 3.0                          | TPS76730QPWPREP‡         |
|                | 2.8                          | TPS76728QPWPREP‡         |
|                | 2.7                          | TPS76727QPWPREP‡         |
|                | 2.5                          | TPS76725QPWPREP          |
|                | 1.8                          | TPS76718QPWPREP          |
|                | 1.5                          | TPS76715QPWPREP          |
|                | Adjustable<br>1.5 V to 5.5 V | TPS76701QPWPREP          |

<sup>†</sup> Available taped and reeled in quantities of 2000 per reel.

<sup>‡</sup> This devices is product preview.

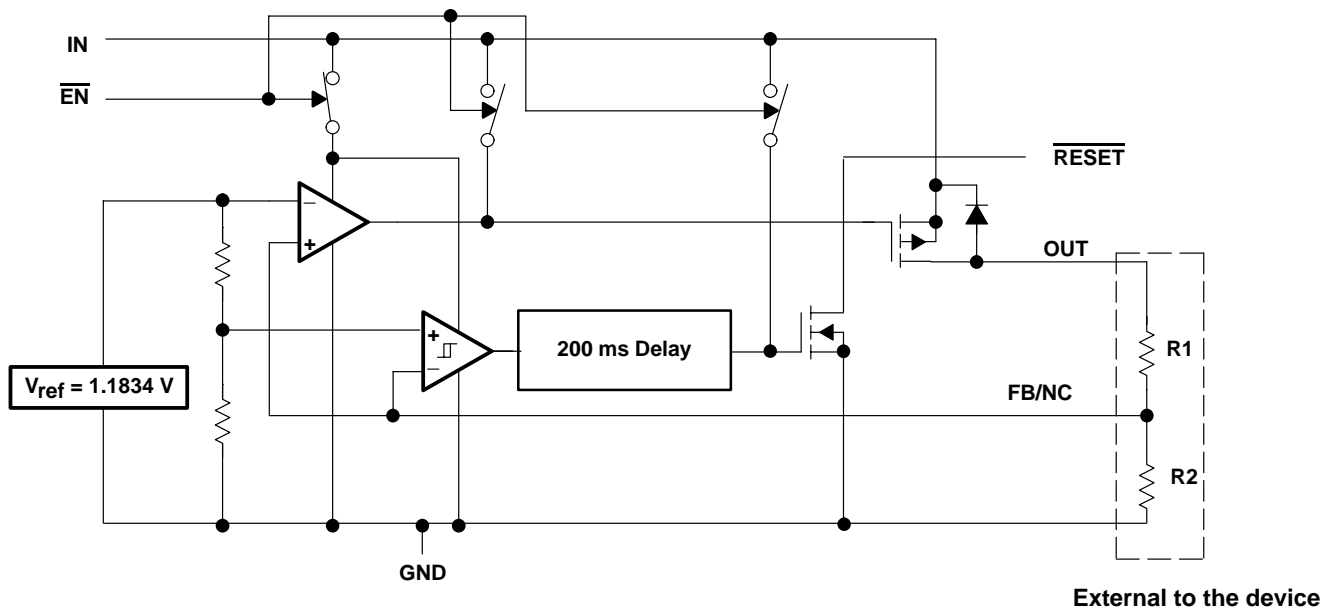




† See application information section for capacitor selection details.

Figure 1. Typical Application Configuration (For Fixed Output Options)

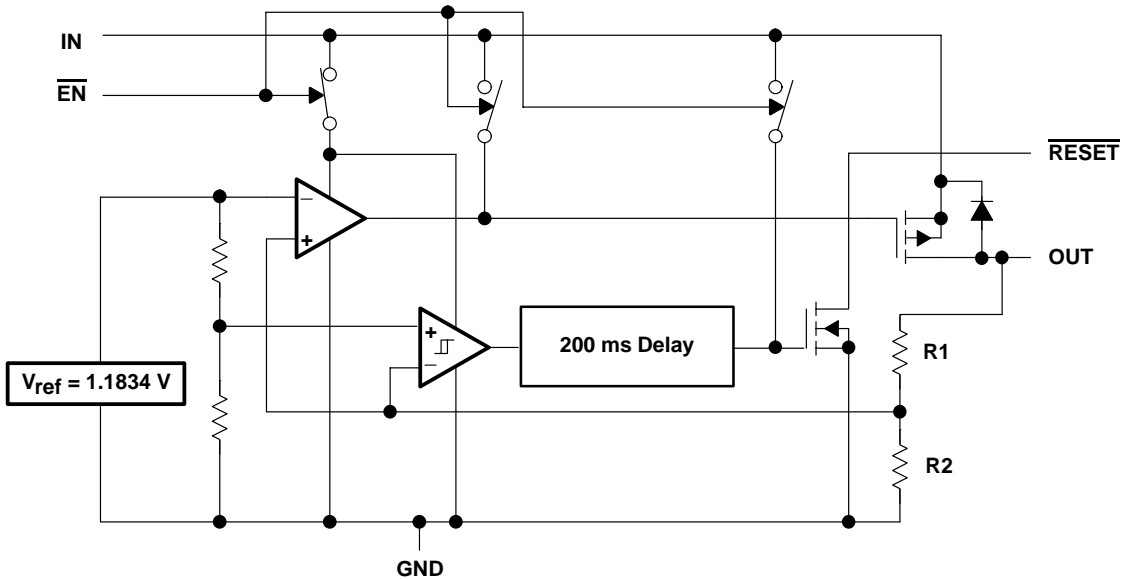
functional block diagram—adjustable version



**TPS76715-EP, TPS76718-EP, TPS76725-EP, TPS76727-EP  
 TPS76728-EP, TPS76730-EP, TPS76733-EP, TPS76750-EP, TPS76701-EP  
 FAST-TRANSIENT-RESPONSE 1-A LOW-DROPOUT VOLTAGE REGULATORS**

SGLS157 – MARCH 2003

**functional block diagram—fixed-voltage version**

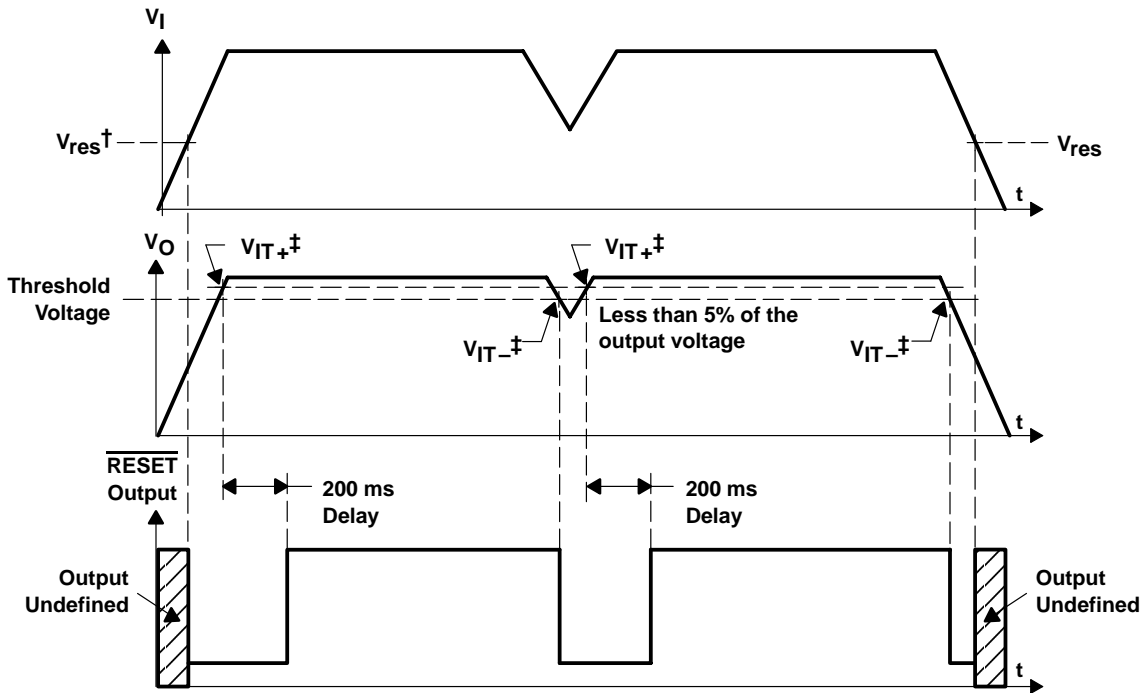


**Terminal Functions**

**PWP Package**

| TERMINAL NAME | TERMINAL NO.                | I/O | DESCRIPTION   |
|---------------|-----------------------------|-----|---|
| EN            | 5                           | I   | Enable input  |
| FB/NC         | 15                          | I   | Feedback input voltage for adjustable device (no connect for fixed options) |
| GND           | 3                           |     | Regulator ground  |
| GND/HSINK     | 1, 2, 9, 10, 11, 12, 19, 20 |     | Ground/heatsink   |
| IN            | 6, 7                        | I   | Input voltage   |
| NC            | 4, 8, 17, 18                |     | No connect  |
| OUT           | 13, 14                      | O   | Regulated output voltage  |
| RESET         | 16                          | O   | RESET output  |

timing diagram



†  $V_{\text{res}}$  is the minimum input voltage for a valid  $\overline{\text{RESET}}$ . The symbol  $V_{\text{res}}$  is not currently listed within EIA or JEDEC standards for semiconductor symbology.

‡  $V_{\text{IT}-}$  – Trip voltage is typically 5% lower than the output voltage ( $95\%V_o$ )  $V_{\text{IT}-}$  to  $V_{\text{IT}+}$  is the hysteresis voltage.

**TPS76715-EP, TPS76718-EP, TPS76725-EP, TPS76727-EP  
 TPS76728-EP, TPS76730-EP, TPS76733-EP, TPS76750-EP, TPS76701-EP  
 FAST-TRANSIENT-RESPONSE 1-A LOW-DROPOUT VOLTAGE REGULATORS**

SGLS157 – MARCH 2003

**absolute maximum ratings over operating free-air temperature range (unless otherwise noted)†**

|   |                               |
|---|-------------------------------|
| Input voltage range‡, $V_I$ .....                         | -0.3 V to 13.5 V              |
| Voltage range at $\overline{EN}$ .....                    | -0.3 V to $V_I + 0.3$ V       |
| Maximum $\overline{RESET}$ voltage .....                  | 16.5 V                        |
| Peak output current .....                                 | Internally limited            |
| Output voltage, $V_O$ (OUT, FB) .....                     | 7 V                           |
| Continuous total power dissipation .....                  | See dissipation rating tables |
| Operating virtual junction temperature range, $T_J$ ..... | -40°C to 125°C                |
| Storage temperature range, $T_{stg}$ .....                | -65°C to 150°C                |
| ESD rating, HBM .....                                     | 2 kV                          |

† Stresses beyond those listed under “absolute maximum ratings” may cause permanent damage to the device. These are stress ratings only, and functional operation of the device at these or any other conditions beyond those indicated under “recommended operating conditions” is not implied. Exposure to absolute-maximum-rated conditions for extended periods may affect device reliability.

‡ All voltage values are with respect to network terminal ground.

**DISSIPATION RATING TABLE – FREE-AIR TEMPERATURES**

| PACKAGE | AIR FLOW (CFM) | $T_A < 25^\circ\text{C}$<br>POWER RATING | DERATING FACTOR<br>ABOVE $T_A = 25^\circ\text{C}$ | $T_A = 70^\circ\text{C}$<br>POWER RATING | $T_A = 85^\circ\text{C}$<br>POWER RATING |
|---------|----------------|--|---|--|--|
| PWP§    | 0              | 2.9 W                                    | 23.5 mW/°C  | 1.9 W                                    | 1.5 W                                    |
|         | 300            | 4.3 W                                    | 34.6 mW/°C  | 2.8 W                                    | 2.2 W                                    |
| PWP¶    | 0              | 3 W                                      | 23.8 mW/°C  | 1.9 W                                    | 1.5 W                                    |
|         | 300            | 7.2 W                                    | 57.9 mW/°C  | 4.6 W                                    | 3.8 W                                    |

§ This parameter is measured with the recommended copper heat sink pattern on a 1-layer PCB, 5-in × 5-in PCB, 1 oz. copper, 2-in × 2-in coverage (4 in<sup>2</sup>).

¶ This parameter is measured with the recommended copper heat sink pattern on a 8-layer PCB, 1.5-in × 2-in PCB, 1 oz. copper with layers 1, 2, 4, 5, 7, and 8 at 5% coverage (0.9 in<sup>2</sup>) and layers 3 and 6 at 100% coverage (6 in<sup>2</sup>). For more information, refer to TI technical brief SLMA002.

**recommended operating conditions**

|  | MIN | MAX | UNIT |
|--|-----|-----|------|
| Input voltage, $V_I$ #                                     | 2.7 | 10  | V    |
| Output voltage range, $V_O$                                | 1.5 | 5.5 | V    |
| Output current, $I_O$ (see Note 1)                         | 0   | 1.0 | A    |
| Operating virtual junction temperature, $T_J$ (see Note 1) | -40 | 125 | °C   |

# To calculate the minimum input voltage for your maximum output current, use the following equation:  $V_{I(\min)} = V_{O(\max)} + V_{DO(\max \text{ load})}$ .  
 NOTE 1: Continuous current and operating junction temperature are limited by internal protection circuitry, but it is not recommended that the device operate under conditions beyond those specified in this table for extended periods of time.



**TPS76715-EP, TPS76718-EP, TPS76725-EP, TPS76727-EP  
TPS76728-EP, TPS76730-EP, TPS76733-EP, TPS76750-EP, TPS76701-EP  
FAST-TRANSIENT-RESPONSE 1-A LOW-DROPOUT VOLTAGE REGULATORS**

SGLS157 – MARCH 2003

**electrical characteristics over recommended operating free-air temperature range,  
 $V_I = V_{O(\text{typ})} + 1 \text{ V}$ ,  $I_O = 1 \text{ mA}$ ,  $\overline{\text{EN}} = 0 \text{ V}$ ,  $C_O = 10 \mu\text{F}$  (unless otherwise noted)**

| PARAMETER  |          | TEST CONDITIONS  | MIN       | TYP   | MAX       | UNIT                       |
|--|----------|--|-----------|-------|-----------|----------------------------|
| Output voltage (10 $\mu\text{A}$ to 1 A load)<br>(see Note 2)                          | TPS76701 | $1.5 \text{ V} \leq V_O \leq 5.5 \text{ V}$ , $T_J = 25^\circ\text{C}$   |           | $V_O$ |           | V                          |
|  |          | $1.5 \text{ V} \leq V_O \leq 5.5 \text{ V}$ , $T_J = -40^\circ\text{C}$ to $125^\circ\text{C}$                                 | $0.98V_O$ |       | $1.02V_O$ |                            |
|  | TPS76715 | $T_J = 25^\circ\text{C}$ , $2.7 \text{ V} < V_{\text{IN}} < 10 \text{ V}$  |           | 1.5   |           |                            |
|  |          | $T_J = -40^\circ\text{C}$ to $125^\circ\text{C}$ , $2.7 \text{ V} < V_{\text{IN}} < 10 \text{ V}$                              | 1.470     |       | 1.530     |                            |
|  | TPS76718 | $T_J = 25^\circ\text{C}$ , $2.8 \text{ V} < V_{\text{IN}} < 10 \text{ V}$  |           | 1.8   |           |                            |
|  |          | $T_J = -40^\circ\text{C}$ to $125^\circ\text{C}$ , $2.8 \text{ V} < V_{\text{IN}} < 10 \text{ V}$                              | 1.764     |       | 1.836     |                            |
|  | TPS76725 | $T_J = 25^\circ\text{C}$ , $3.5 \text{ V} < V_{\text{IN}} < 10 \text{ V}$  |           | 2.5   |           |                            |
|  |          | $T_J = -40^\circ\text{C}$ to $125^\circ\text{C}$ , $3.5 \text{ V} < V_{\text{IN}} < 10 \text{ V}$                              | 2.450     |       | 2.550     |                            |
|  | TPS76727 | $T_J = 25^\circ\text{C}$ , $3.7 \text{ V} < V_{\text{IN}} < 10 \text{ V}$  |           | 2.7   |           |                            |
|  |          | $T_J = -40^\circ\text{C}$ to $125^\circ\text{C}$ , $3.7 \text{ V} < V_{\text{IN}} < 10 \text{ V}$                              | 2.646     |       | 2.754     |                            |
|  | TPS76728 | $T_J = 25^\circ\text{C}$ , $3.8 \text{ V} < V_{\text{IN}} < 10 \text{ V}$  |           | 2.8   |           |                            |
|  |          | $T_J = -40^\circ\text{C}$ to $125^\circ\text{C}$ , $3.8 \text{ V} < V_{\text{IN}} < 10 \text{ V}$                              | 2.744     |       | 2.856     |                            |
|  | TPS76730 | $T_J = 25^\circ\text{C}$ , $4.0 \text{ V} < V_{\text{IN}} < 10 \text{ V}$  |           | 3.0   |           |                            |
|  |          | $T_J = -40^\circ\text{C}$ to $125^\circ\text{C}$ , $4.0 \text{ V} < V_{\text{IN}} < 10 \text{ V}$                              | 2.940     |       | 3.060     |                            |
|  | TPS76733 | $T_J = 25^\circ\text{C}$ , $4.3 \text{ V} < V_{\text{IN}} < 10 \text{ V}$  |           | 3.3   |           |                            |
|  |          | $T_J = -40^\circ\text{C}$ to $125^\circ\text{C}$ , $4.3 \text{ V} < V_{\text{IN}} < 10 \text{ V}$                              | 3.234     |       | 3.366     |                            |
|  | TPS76750 | $T_J = 25^\circ\text{C}$ , $6.0 \text{ V} < V_{\text{IN}} < 10 \text{ V}$  |           | 5.0   |           |                            |
|  |          | $T_J = -40^\circ\text{C}$ to $125^\circ\text{C}$ , $6.0 \text{ V} < V_{\text{IN}} < 10 \text{ V}$                              | 4.900     |       | 5.100     |                            |
| Quiescent current (GND current)<br>$\overline{\text{EN}} = 0 \text{ V}$ , (see Note 2) |          | $10 \mu\text{A} < I_O < 1 \text{ A}$ , $T_J = 25^\circ\text{C}$  |           | 85    |           | $\mu\text{A}$              |
|  |          | $I_O = 1 \text{ A}$ , $T_J = -40^\circ\text{C}$ to $125^\circ\text{C}$   |           |       | 125       |                            |
| Output voltage line regulation ( $\Delta V_O/V_O$ )<br>(see Notes 2 and 3)             |          | $V_O + 1 \text{ V} < V_I \leq 10 \text{ V}$ , $T_J = 25^\circ\text{C}$   |           | 0.01  |           | %/V                        |
| Load regulation  |          |  |           | 3     |           | mV                         |
| Output noise voltage (TPS76718)  |          | $\text{BW} = 200 \text{ Hz}$ to $100 \text{ kHz}$ , $I_C = 1 \text{ A}$ ,<br>$C_O = 10 \mu\text{F}$ , $T_J = 25^\circ\text{C}$ |           | 55    |           | $\mu\text{V}_{\text{rms}}$ |
| Output current limit   |          | $V_O = 0 \text{ V}$  |           | 1.7   | 2         | A                          |
| Thermal shutdown junction temperature  |          |  |           | 150   |           | $^\circ\text{C}$           |
| Standby current  |          | $\overline{\text{EN}} = V_I$ , $T_J = 25^\circ\text{C}$ ,<br>$2.7 \text{ V} < V_I < 10 \text{ V}$                              |           | 1     |           | $\mu\text{A}$              |
|  |          | $\overline{\text{EN}} = V_I$ , $T_J = -40^\circ\text{C}$ to $125^\circ\text{C}$ ,<br>$2.7 \text{ V} < V_I < 10 \text{ V}$      |           |       | 10        | $\mu\text{A}$              |
| FB input current   | TPS76701 | $\text{FB} = 1.5 \text{ V}$  |           | 2     |           | nA                         |
| High level enable input voltage  |          |  |           | 1.7   |           | V                          |
| Low level enable input voltage   |          |  |           |       | 0.9       | V                          |
| Power supply ripple rejection (see Note 2)   |          | $f = 1 \text{ KHz}$ , $C_O = 10 \mu\text{F}$ ,<br>$T_J = 25^\circ\text{C}$   |           | 60    |           | dB                         |

NOTES: 2. Minimum IN operating voltage is 2.7 V or  $V_{O(\text{typ})} + 1 \text{ V}$ , whichever is greater. Maximum IN voltage 10V.

3. If  $V_O \leq 1.8 \text{ V}$  then  $V_{\text{Imax}} = 10 \text{ V}$ ,  $V_{\text{Imin}} = 2.7 \text{ V}$ :

$$\text{Line Reg. (mV)} = (\%/V) \times \frac{V_O(V_{\text{Imax}} - 2.7 \text{ V})}{100} \times 1000$$

If  $V_O \geq 2.5 \text{ V}$  then  $V_{\text{Imax}} = 10 \text{ V}$ ,  $V_{\text{Imin}} = V_O + 1 \text{ V}$ :

$$\text{Line Reg. (mV)} = (\%/V) \times \frac{V_O(V_{\text{Imax}} - (V_O + 1 \text{ V}))}{100} \times 1000$$



**TPS76715-EP, TPS76718-EP, TPS76725-EP, TPS76727-EP  
 TPS76728-EP, TPS76730-EP, TPS76733-EP, TPS76750-EP, TPS76701-EP  
 FAST-TRANSIENT-RESPONSE 1-A LOW-DROPOUT VOLTAGE REGULATORS**

SGLS157 – MARCH 2003

**electrical characteristics over recommended operating free-air temperature range,  $V_I = V_{O(typ)} + 1\text{ V}$ ,  $I_O = 1\text{ mA}$ ,  $\overline{EN} = 0\text{ V}$ ,  $C_O = 10\text{ }\mu\text{F}$  (unless otherwise noted) (continued)**

| PARAMETER                         |  | TEST CONDITIONS  | MIN  | TYP  | MAX | UNIT          |
|-----------------------------------|--|--|--|------|-----|---------------|
| Reset                             | Minimum input voltage for valid $\overline{RESET}$ | $I_O(\overline{RESET}) = 300\text{ }\mu\text{A}$             |  | 1.1  |     | V             |
|                                   | Trip threshold voltage                             | $V_O$ decreasing   | 92   |      | 98  | % $V_O$       |
|                                   | Hysteresis voltage                                 | Measured at $V_O$  |  | 0.5  |     | % $V_O$       |
|                                   | Output low voltage                                 | $V_I = 2.7\text{ V}$ , $I_O(\overline{RESET}) = 1\text{ mA}$ |  | 0.15 | 0.4 | V             |
|                                   | Leakage current                                    | $V(\overline{RESET}) = 5\text{ V}$                           |  |      | 1   | $\mu\text{A}$ |
|                                   | RESET time-out delay                               |  |  | 200  |     | ms            |
| Input current ( $\overline{EN}$ ) |  | $\overline{EN} = 0\text{ V}$                                 | -1   | 0    | 1   | $\mu\text{A}$ |
|                                   |  | $\overline{EN} = V_I$  | -1   |      | 1   |               |
| Dropout voltage (see Note 4)      |  | TPS76728   | $I_O = 1\text{ A}$ , $T_J = 25^\circ\text{C}$                        | 500  |     | mV            |
|                                   |  |  | $I_O = 1\text{ A}$ , $T_J = -40^\circ\text{C to } 125^\circ\text{C}$ | 825  |     |               |
|                                   |  | TPS76730   | $I_O = 1\text{ A}$ , $T_J = 25^\circ\text{C}$                        | 450  |     |               |
|                                   |  |  | $I_O = 1\text{ A}$ , $T_J = -40^\circ\text{C to } 125^\circ\text{C}$ | 675  |     |               |
|                                   |  | TPS76733   | $I_O = 1\text{ A}$ , $T_J = 25^\circ\text{C}$                        | 350  |     |               |
|                                   |  |  | $I_O = 1\text{ A}$ , $T_J = -40^\circ\text{C to } 125^\circ\text{C}$ | 575  |     |               |
|                                   |  | TPS76750   | $I_O = 1\text{ A}$ , $T_J = 25^\circ\text{C}$                        | 230  |     |               |
|                                   |  |  | $I_O = 1\text{ A}$ , $T_J = -40^\circ\text{C to } 125^\circ\text{C}$ | 380  |     |               |

NOTE 4:  $I_N$  voltage equals  $V_{O(typ)} - 100\text{ mV}$ ; TPS76701 output voltage set to 3.3V nominal with external resistor divider. TPS76715, TPS76718, TPS76725, and TPS76727 dropout voltage limited by input voltage range limitations (i.e., TPS76730 input voltage needs to drop to 2.9 V for purpose of this test).

**TYPICAL CHARACTERISTICS**

**Table of Graphs**

|          |                                    |                         | FIGURE  |
|----------|------------------------------------|-------------------------|---------|
| $V_O$    | Output voltage                     | vs Output current       | 2, 3, 4 |
|          |                                    | vs Free-air temperature | 5, 6, 7 |
|          | Ground current                     | vs Free-air temperature | 8, 9    |
|          | Power supply ripple rejection      | vs Frequency            | 10      |
|          | Output spectral noise density      | vs Frequency            | 11      |
|          | Input voltage (min)                | vs Output voltage       | 12      |
| $Z_O$    | Output impedance                   | vs Frequency            | 13      |
| $V_{DO}$ | Dropout voltage                    | vs Free-air temperature | 14      |
|          | Line transient response            |                         | 15, 17  |
|          | Load transient response            |                         | 16, 18  |
| $V_O$    | Output voltage                     | vs Time                 | 19      |
|          | Dropout voltage                    | vs Input voltage        | 20      |
|          | Equivalent series resistance (ESR) | vs Output current       | 22 – 25 |





TYPICAL CHARACTERISTICS

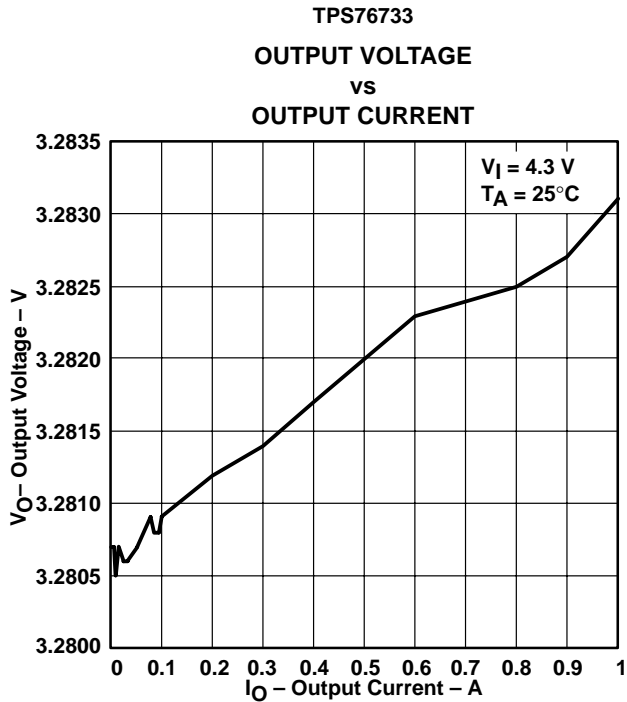


Figure 2

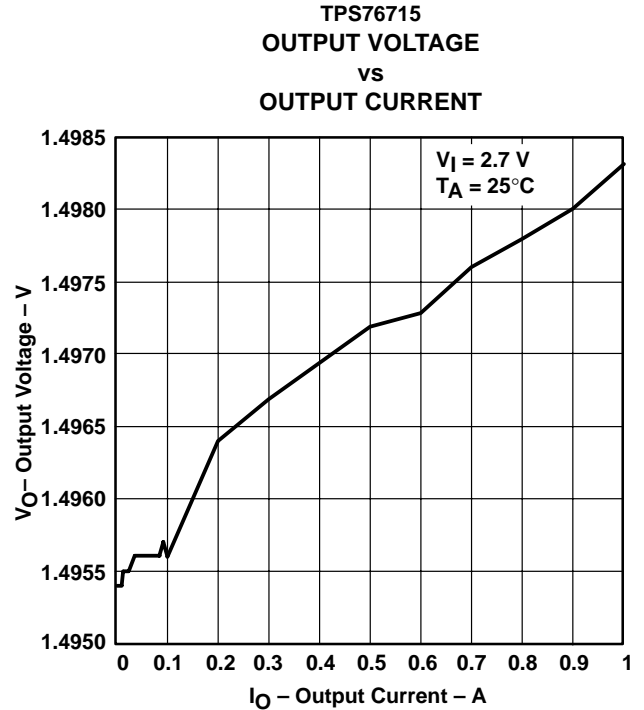


Figure 3

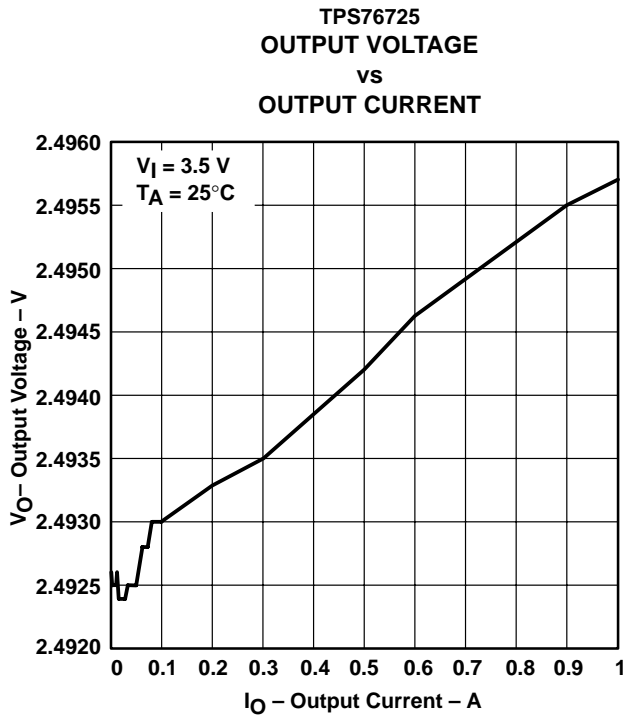


Figure 4

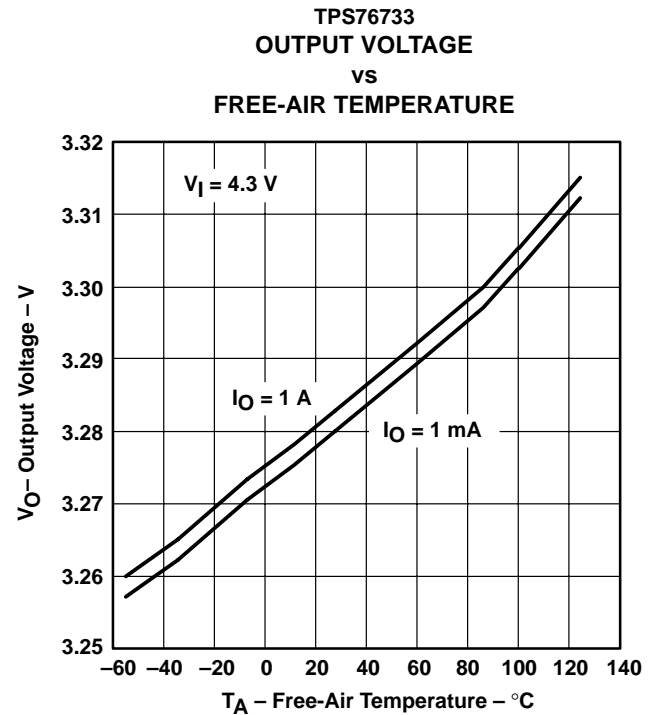
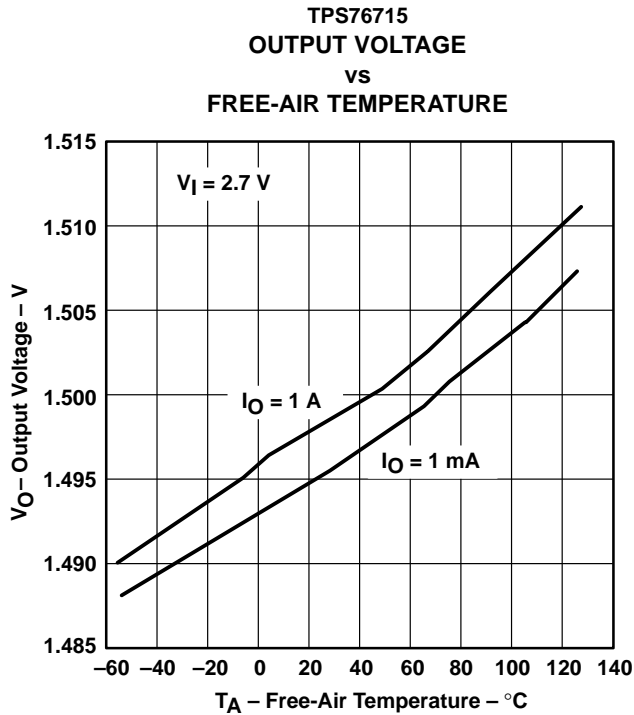
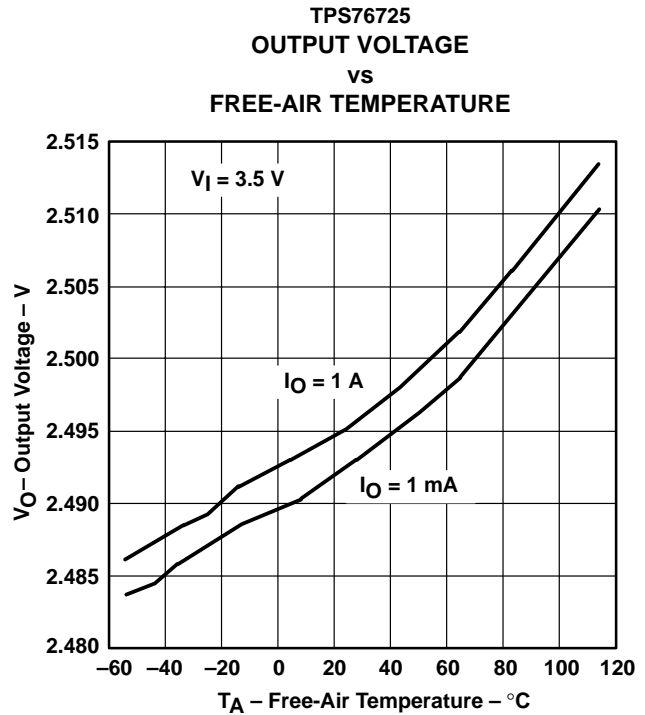


Figure 5

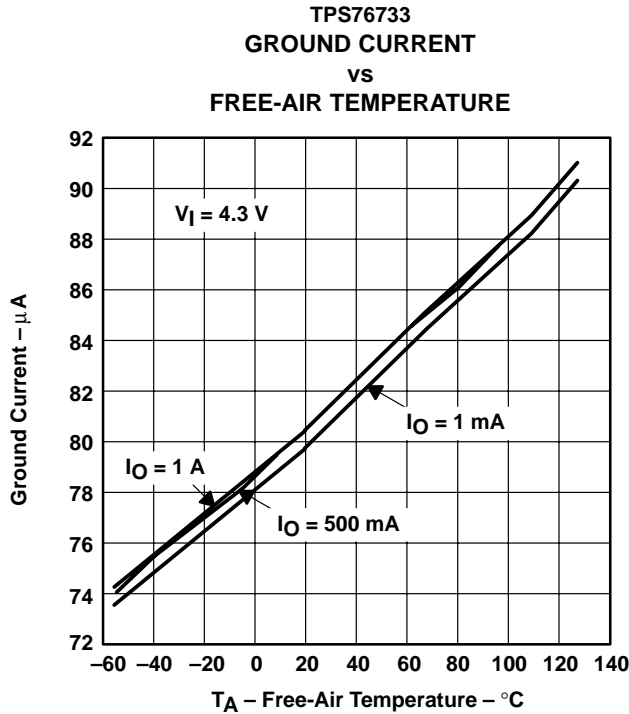
**TYPICAL CHARACTERISTICS**



**Figure 6**

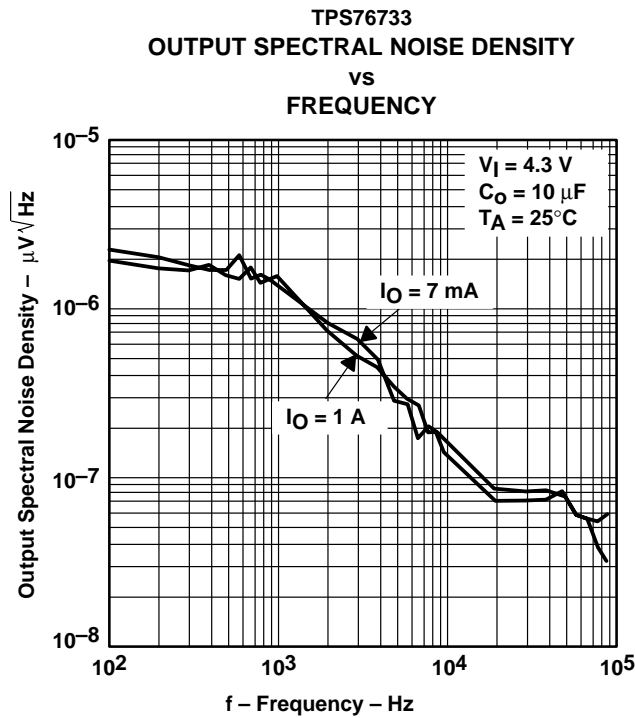
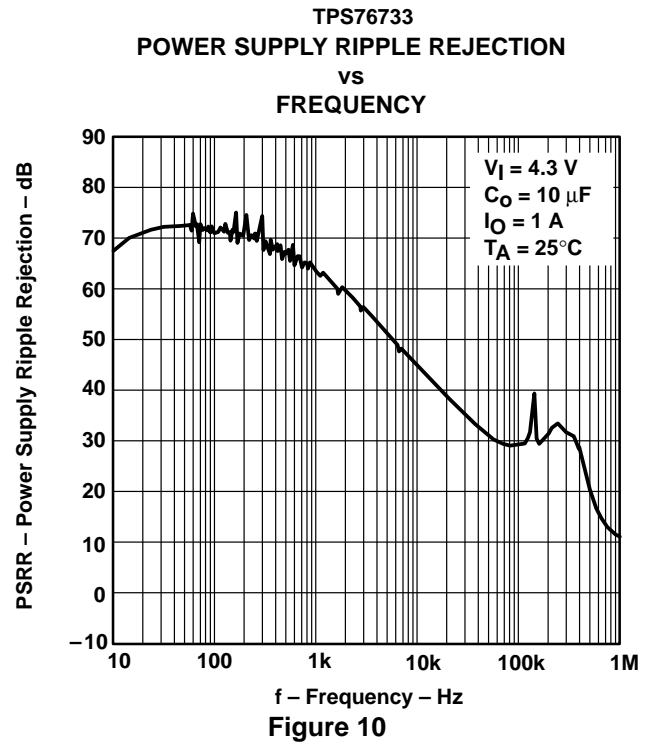
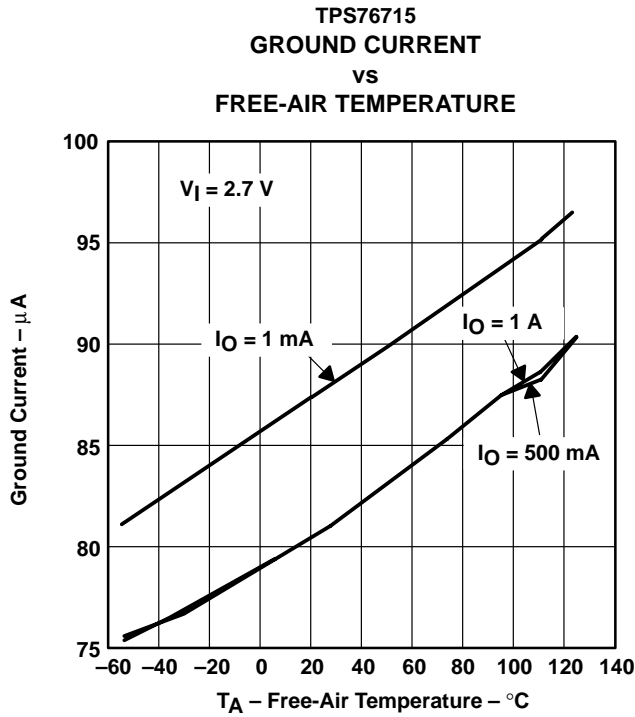


**Figure 7**

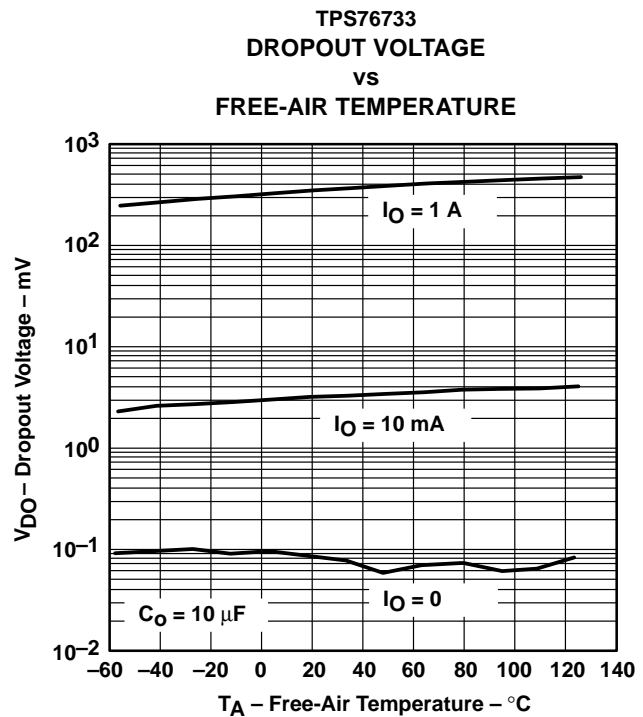
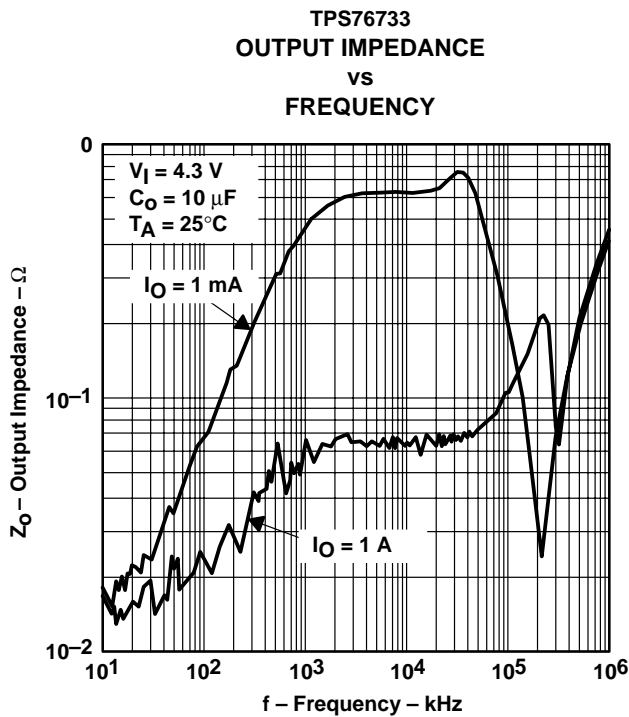
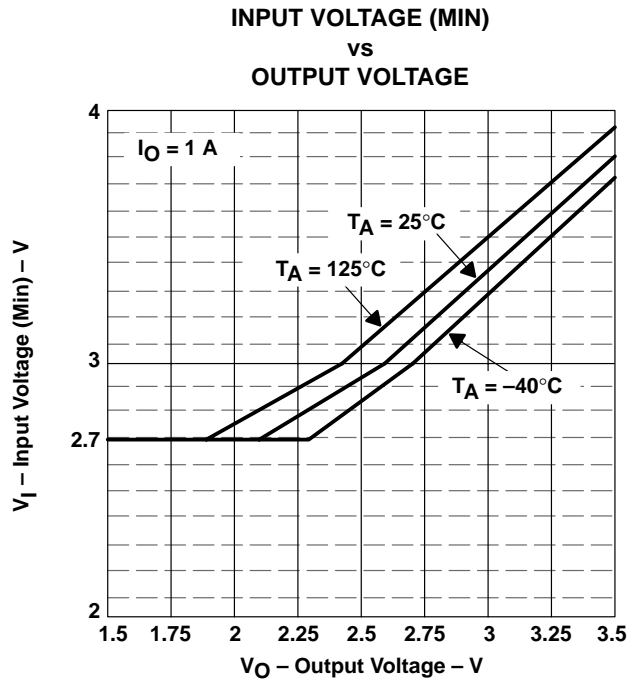


**Figure 8**

TYPICAL CHARACTERISTICS



TYPICAL CHARACTERISTICS



TYPICAL CHARACTERISTICS

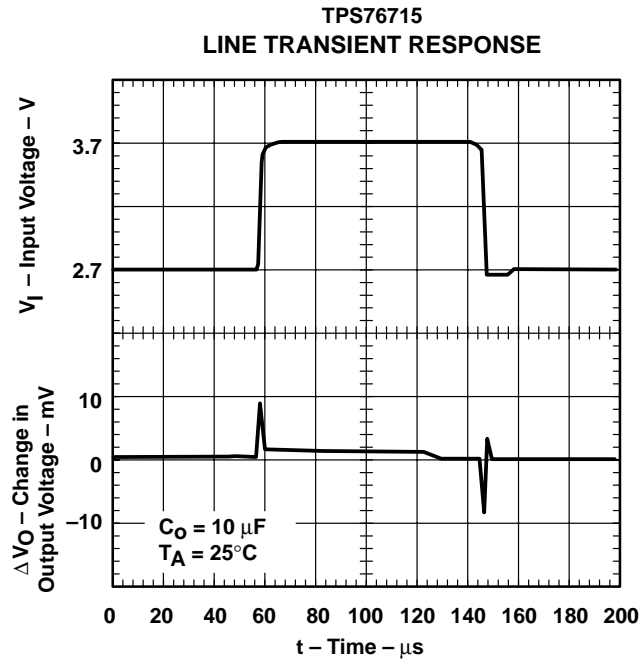


Figure 15

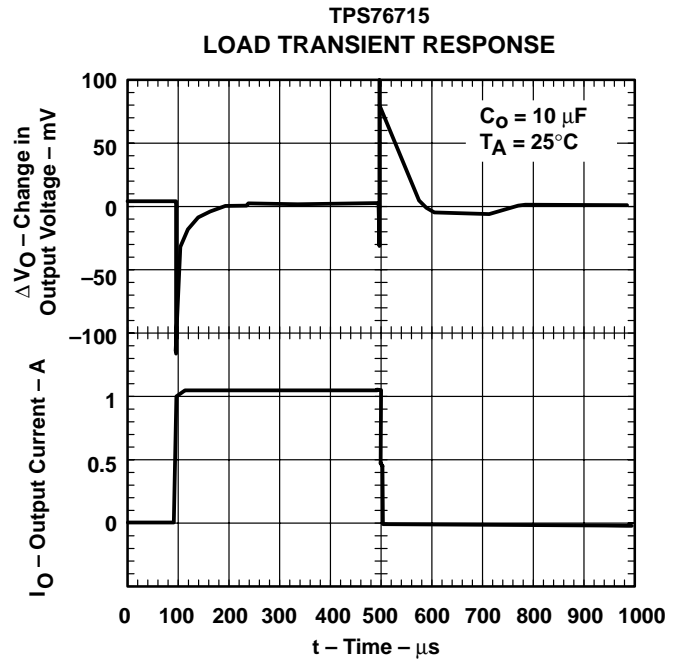


Figure 16

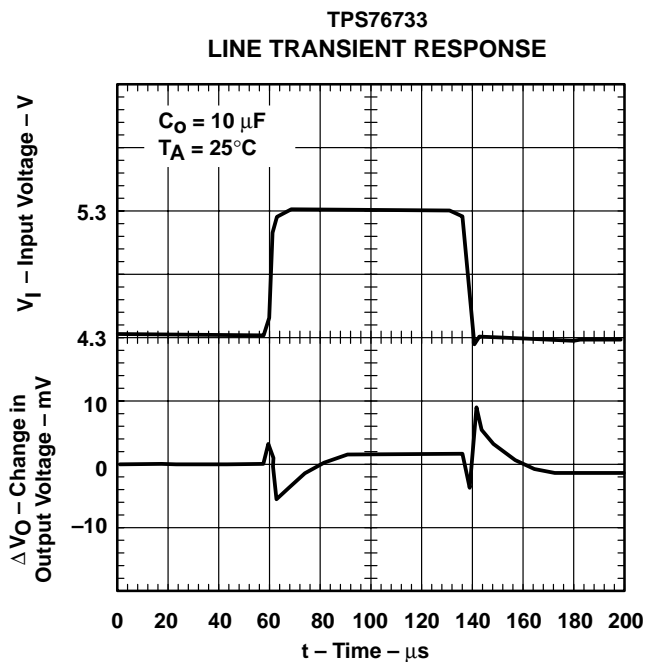


Figure 17

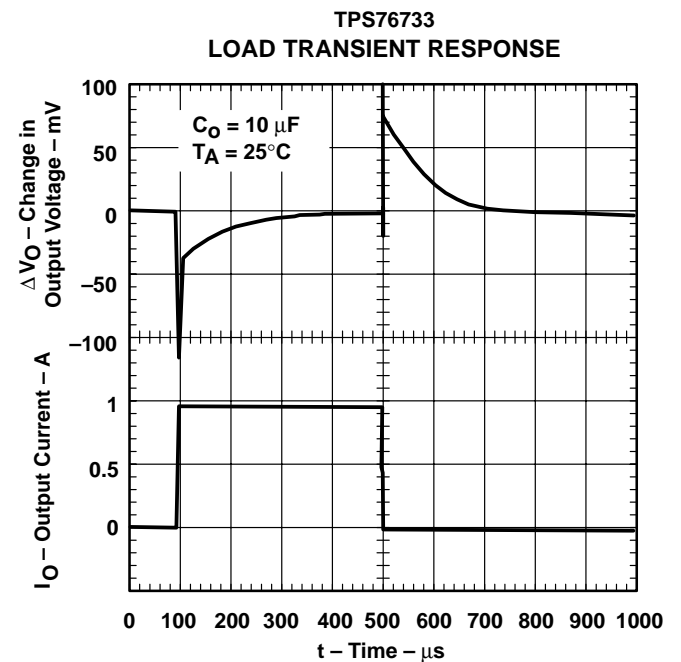


Figure 18

TYPICAL CHARACTERISTICS

TPS76733  
 OUTPUT VOLTAGE  
 vs  
 TIME (AT STARTUP)

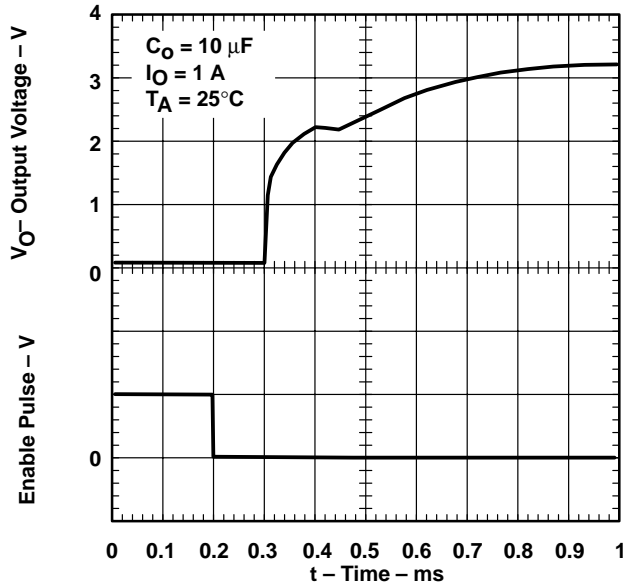


Figure 19

TPS76701  
 DROPOUT VOLTAGE  
 vs  
 INPUT VOLTAGE

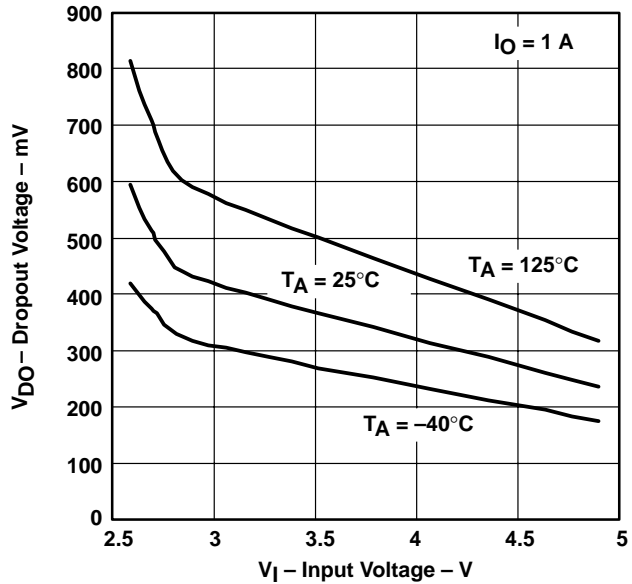


Figure 20

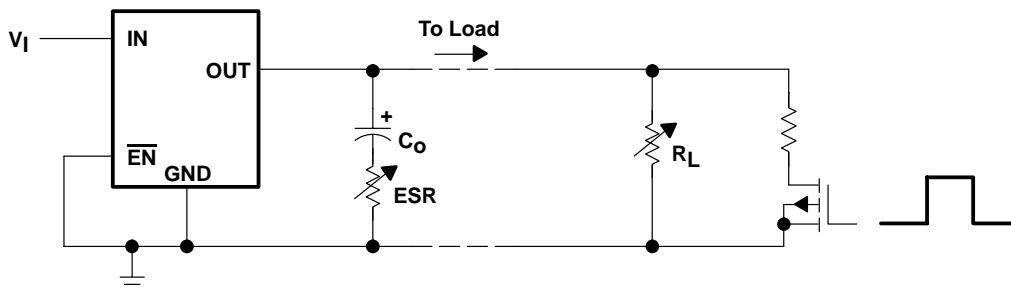


Figure 21. Test Circuit for Typical Regions of Stability (Figures 22 through 25) (Fixed Output Options)

TYPICAL CHARACTERISTICS

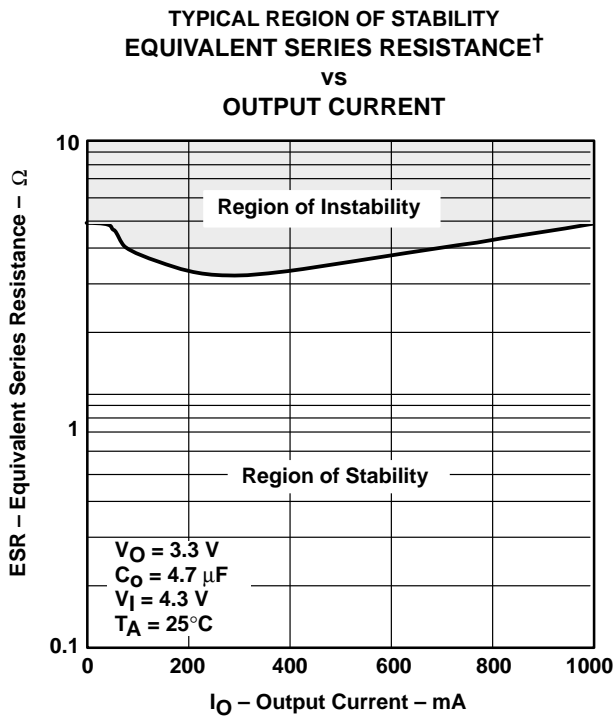


Figure 22

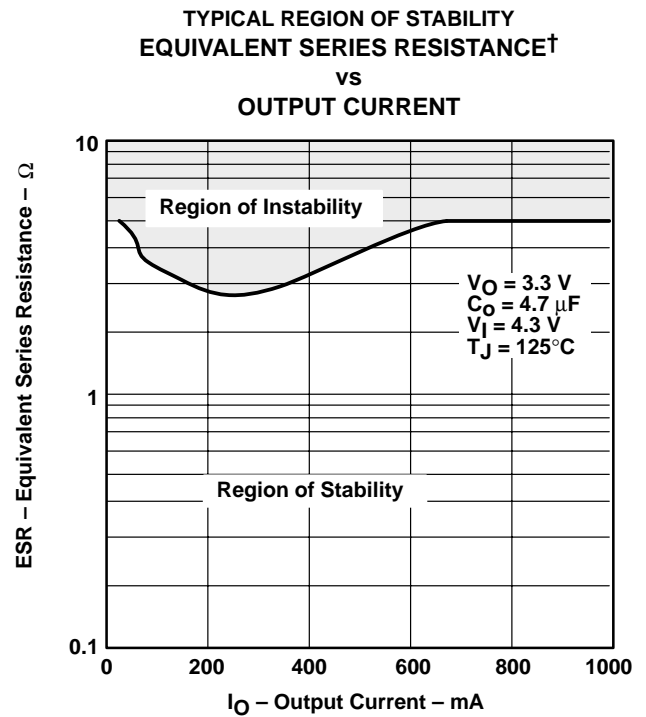


Figure 23

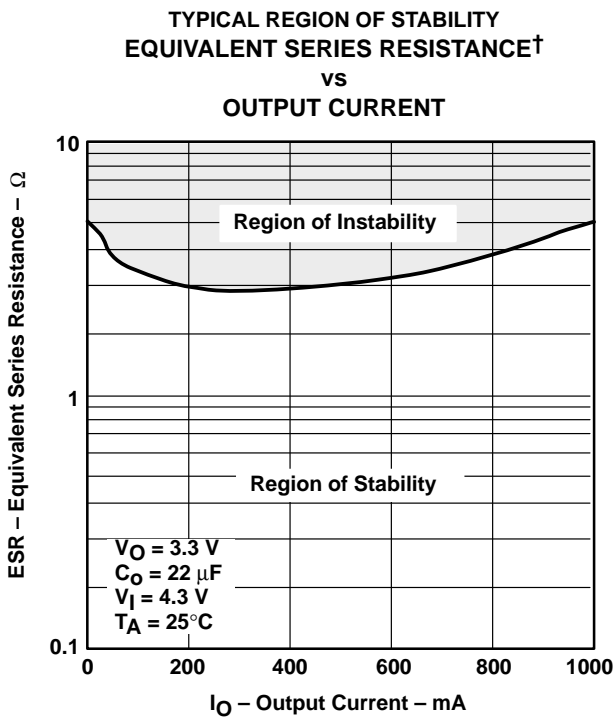


Figure 24

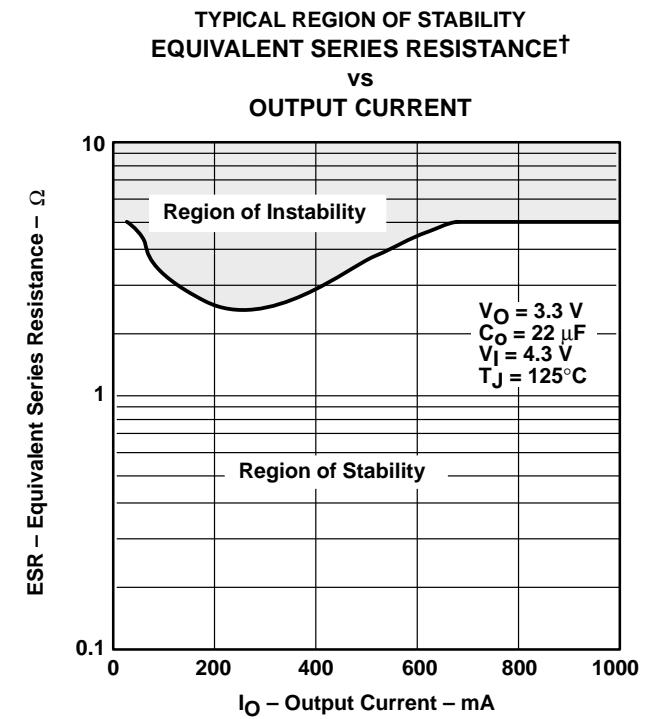


Figure 25

† Equivalent series resistance (ESR) refers to the total series resistance, including the ESR of the capacitor, any series resistance added externally, and PWB trace resistance to  $C_O$ .

**TPS76715-EP, TPS76718-EP, TPS76725-EP, TPS76727-EP  
TPS76728-EP, TPS76730-EP, TPS76733-EP, TPS76750-EP, TPS76701-EP  
FAST-TRANSIENT-RESPONSE 1-A LOW-DROPOUT VOLTAGE REGULATORS**

SGLS157 – MARCH 2003

---

## APPLICATION INFORMATION

The TPS767xx family includes eight fixed-output voltage regulators (1.5 V, 1.8 V, 2.5 V, 2.7 V, 2.8 V, 3.0 V, 3.3 V, and 5.0 V), and an adjustable regulator, the TPS76701 (adjustable from 1.5 V to 5.5 V).

### device operation

The TPS767xx features very low quiescent current, which remains virtually constant even with varying loads. Conventional LDO regulators use a pnp pass element, the base current of which is directly proportional to the load current through the regulator ( $I_B = I_C/\beta$ ). The TPS767xx uses a PMOS transistor to pass current; because the gate of the PMOS is voltage driven, operating current is low and invariable over the full load range.

Another pitfall associated with the pnp-pass element is its tendency to saturate when the device goes into dropout. The resulting drop in  $\beta$  forces an increase in  $I_B$  to maintain the load. During power up, this translates to large start-up currents. Systems with limited supply current may fail to start up. In battery-powered systems, it means rapid battery discharge when the voltage decays below the minimum required for regulation. The TPS767xx quiescent current remains low even when the regulator drops out, eliminating both problems.

The TPS767xx family also features a shutdown mode that places the output in the high-impedance state (essentially equal to the feedback-divider resistance) and reduces quiescent current to 2  $\mu$ A. If the shutdown feature is not used,  $\overline{EN}$  should be tied to ground.

### minimum load requirements

The TPS767xx family is stable even at zero load; no minimum load is required for operation.

### FB—pin connection (adjustable version only)

The FB pin is an input pin to sense the output voltage and close the loop for the adjustable option. The output voltage is sensed through a resistor divider network to close the loop as shown in Figure 27. Normally, this connection should be as short as possible; however, the connection can be made near a critical circuit to improve performance at that point. Internally, FB connects to a high-impedance wide-bandwidth amplifier and noise pickup feeds through to the regulator output. Routing the FB connection to minimize/avoid noise pickup is essential.

### external capacitor requirements

An input capacitor is not usually required; however, a ceramic bypass capacitor (0.047  $\mu$ F or larger) improves load transient response and noise rejection if the TPS767xx is located more than a few inches from the power supply. A higher-capacitance electrolytic capacitor may be necessary if large (hundreds of milliamps) load transients with fast rise times are anticipated.

Like all low dropout regulators, the TPS767xx requires an output capacitor connected between OUT and GND to stabilize the internal control loop. The minimum recommended capacitance value is 10  $\mu$ F and the ESR (equivalent series resistance) must be between 50 m $\Omega$  and 1.5  $\Omega$ . Capacitor values 10  $\mu$ F or larger are acceptable, provided the ESR is less than 1.5  $\Omega$ . Solid tantalum electrolytic, aluminum electrolytic, and multilayer ceramic capacitors are all suitable, provided they meet the requirements described above. Most of the commercially available 10  $\mu$ F surface-mount ceramic capacitors, including devices from Sprague and Kemet, meet the ESR requirements stated above.



POST OFFICE BOX 655303 • DALLAS, TEXAS 75265



APPLICATION INFORMATION

external capacitor requirements (continued)

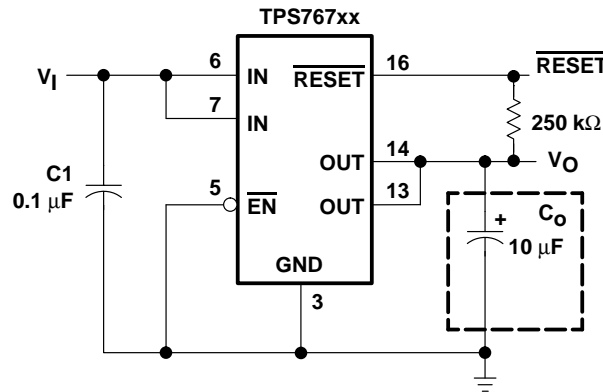


Figure 26. Typical Application Circuit (Fixed Versions)

programming the TPS76701 adjustable LDO regulator

The output voltage of the TPS76701 adjustable regulator is programmed using an external resistor divider as shown in Figure 27. The output voltage is calculated using:

$$V_O = V_{ref} \times \left( 1 + \frac{R1}{R2} \right) \quad (1)$$

Where:

$$V_{ref} = 1.1834 \text{ V typ (the internal reference voltage)}$$

Resistors R1 and R2 should be chosen for approximately 50-μA divider current. Lower value resistors can be used but offer no inherent advantage and waste more power. Higher values should be avoided as leakage currents at FB increase the output voltage error. The recommended design procedure is to choose R2 = 30.1 kΩ to set the divider current at 50 μA and then calculate R1 using:

$$R1 = \left( \frac{V_O}{V_{ref}} - 1 \right) \times R2 \quad (2)$$

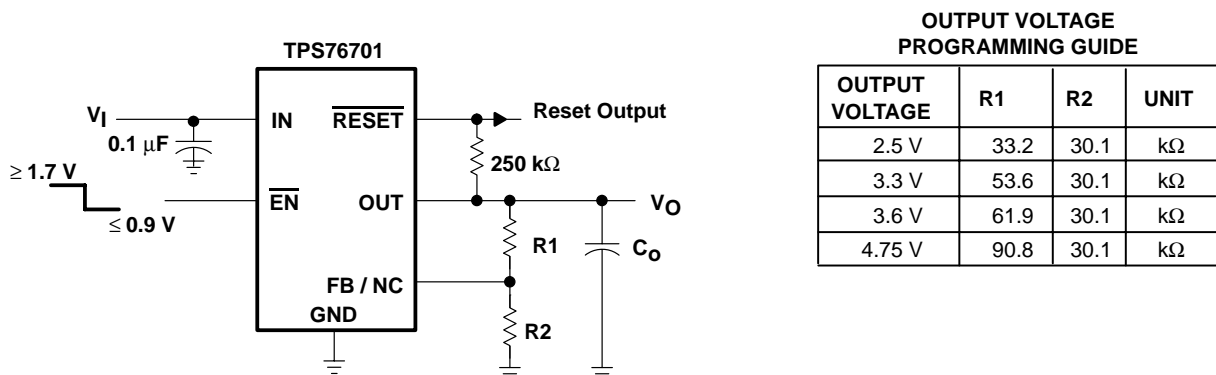


Figure 27. TPS76701 Adjustable LDO Regulator Programming

## APPLICATION INFORMATION

### reset indicator

The TPS767xx features a  $\overline{\text{RESET}}$  output that can be used to monitor the status of the regulator. The internal comparator monitors the output voltage: when the output drops to between 92% and 98% of its nominal regulated value, the  $\overline{\text{RESET}}$  output transistor turns on, taking the signal low. The open-drain output requires a pullup resistor. If not used, it can be left floating.  $\overline{\text{RESET}}$  can be used to drive power-on reset circuitry or as a low-battery indicator.  $\overline{\text{RESET}}$  does not assert itself when the regulated output voltage falls outside the specified 2% tolerance, but instead reports an output voltage low relative to its nominal regulated value (refer to timing diagram for start-up sequence).

### regulator protection

The TPS767xx PMOS-pass transistor has a built-in back diode that conducts reverse currents when the input voltage drops below the output voltage (e.g., during power down). Current is conducted from the output to the input and is not internally limited. When extended reverse voltage is anticipated, external limiting may be appropriate.

The TPS767xx also features internal current limiting and thermal protection. During normal operation, the TPS767xx limits output current to approximately 1.7 A. When current limiting engages, the output voltage scales back linearly until the overcurrent condition ends. While current limiting is designed to prevent gross device failure, care should be taken not to exceed the power dissipation ratings of the package. If the temperature of the device exceeds 150°C(typ), thermal-protection circuitry shuts it down. Once the device has cooled below 130°C(typ), regulator operation resumes.

### power dissipation and junction temperature

Specified regulator operation is assured to a junction temperature of 125°C; the maximum junction temperature should be restricted to 125°C under normal operating conditions. This restriction limits the power dissipation the regulator can handle in any given application. To ensure the junction temperature is within acceptable limits, calculate the maximum allowable dissipation,  $P_{D(\text{max})}$ , and the actual dissipation,  $P_D$ , which must be less than or equal to  $P_{D(\text{max})}$ .

The maximum-power-dissipation limit is determined using the following equation:

$$P_{D(\text{max})} = \frac{T_{J\text{max}} - T_A}{R_{\theta\text{JA}}}$$

Where:

$T_{J\text{max}}$  is the maximum allowable junction temperature.

$R_{\theta\text{JA}}$  is the thermal resistance junction-to-ambient for the package, i.e., 172°C/W for the 8-terminal SOIC and 32.6°C/W for the 20-terminal PWP with no airflow.

$T_A$  is the ambient temperature.

The regulator dissipation is calculated using:

$$P_D = (V_I - V_O) \times I_O$$

Power dissipation resulting from quiescent current is negligible. Excessive power dissipation will trigger the thermal protection circuit.

TPS76715-EP, TPS76718-EP, TPS76725-EP, TPS76727-EP  
 TPS76728-EP, TPS76730-EP, TPS76733-EP, TPS76750-EP, TPS76701-EP  
**FAST-TRANSIENT-RESPONSE 1-A LOW-DROPOUT VOLTAGE REGULATORS**

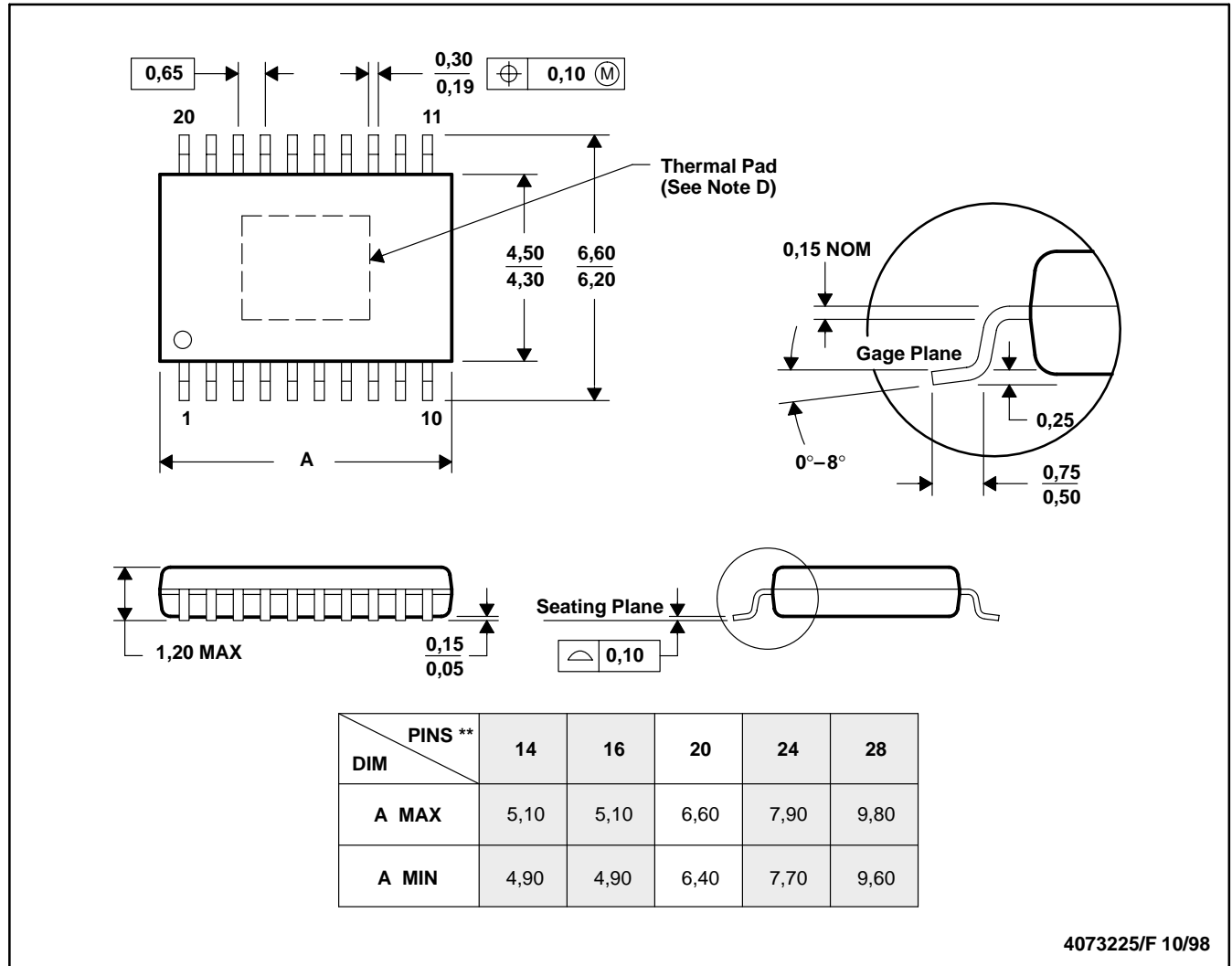
SGLS157 – MARCH 2003

**MECHANICAL DATA**

**PWP (R-PDSO-G\*\*)**

**PowerPAD™ PLASTIC SMALL-OUTLINE**

20 PINS SHOWN



4073225/F 10/98

- NOTES: A. All linear dimensions are in millimeters.  
 B. This drawing is subject to change without notice.  
 C. Body dimensions do not include mold flash or protrusions.  
 D. The package thermal performance may be enhanced by bonding the thermal pad to an external thermal plane. This pad is electrically and thermally connected to the backside of the die and possibly selected leads.  
 E. Falls within JEDEC MO-153

PowerPAD is a trademark of Texas Instruments Incorporated.



POST OFFICE BOX 655303 • DALLAS, TEXAS 75265

**PACKAGING INFORMATION**

| Orderable part number           | Status<br>(1) | Material type<br>(2) | Package   Pins    | Package qty   Carrier | RoHS<br>(3) | Lead finish/<br>Ball material<br>(4) | MSL rating/<br>Peak reflow<br>(5) | Op temp (°C) | Part marking<br>(6) |
|---------------------------------|---------------|----------------------|-------------------|-----------------------|-------------|--------------------------------------|-----------------------------------|--------------|---------------------|
| <a href="#">TPS76701QPWPREP</a> | Active        | Production           | HTSSOP (PWP)   20 | 2000   LARGE T&R      | Yes         | NIPDAU                               | Level-2-260C-1 YEAR               | -40 to 125   | 76701QE             |
| TPS76701QPWPREP.A               | Active        | Production           | HTSSOP (PWP)   20 | 2000   LARGE T&R      | Yes         | NIPDAU                               | Level-2-260C-1 YEAR               | -40 to 125   | 76701QE             |
| <a href="#">TPS76715QPWPREP</a> | Active        | Production           | HTSSOP (PWP)   20 | 2000   LARGE T&R      | Yes         | NIPDAU                               | Level-2-260C-1 YEAR               | -40 to 125   | 76715QE             |
| TPS76715QPWPREP.A               | Active        | Production           | HTSSOP (PWP)   20 | 2000   LARGE T&R      | Yes         | NIPDAU                               | Level-2-260C-1 YEAR               | -40 to 125   | 76715QE             |
| <a href="#">TPS76718QPWPREP</a> | Active        | Production           | HTSSOP (PWP)   20 | 2000   LARGE T&R      | Yes         | NIPDAU                               | Level-2-260C-1 YEAR               | -40 to 125   | 76718QE             |
| TPS76718QPWPREP.A               | Active        | Production           | HTSSOP (PWP)   20 | 2000   LARGE T&R      | Yes         | NIPDAU                               | Level-2-260C-1 YEAR               | -40 to 125   | 76718QE             |
| <a href="#">TPS76725QPWPREP</a> | Active        | Production           | HTSSOP (PWP)   20 | 2000   LARGE T&R      | Yes         | NIPDAU                               | Level-2-260C-1 YEAR               | -40 to 125   | 76725QE             |
| TPS76725QPWPREP.A               | Active        | Production           | HTSSOP (PWP)   20 | 2000   LARGE T&R      | Yes         | NIPDAU                               | Level-2-260C-1 YEAR               | -40 to 125   | 76725QE             |
| <a href="#">TPS76733QPWPREP</a> | Active        | Production           | HTSSOP (PWP)   20 | 2000   LARGE T&R      | Yes         | NIPDAU                               | Level-2-260C-1 YEAR               | -40 to 125   | 76733QE             |
| TPS76733QPWPREP.A               | Active        | Production           | HTSSOP (PWP)   20 | 2000   LARGE T&R      | Yes         | NIPDAU                               | Level-2-260C-1 YEAR               | -40 to 125   | 76733QE             |
| <a href="#">V62/03630-01XE</a>  | Active        | Production           | HTSSOP (PWP)   20 | 2000   LARGE T&R      | Yes         | NIPDAU                               | Level-2-260C-1 YEAR               | -40 to 125   | 76701QE             |
| <a href="#">V62/03630-02XE</a>  | Active        | Production           | HTSSOP (PWP)   20 | 2000   LARGE T&R      | Yes         | NIPDAU                               | Level-2-260C-1 YEAR               | -40 to 125   | 76715QE             |
| <a href="#">V62/03630-03XE</a>  | Active        | Production           | HTSSOP (PWP)   20 | 2000   LARGE T&R      | Yes         | NIPDAU                               | Level-2-260C-1 YEAR               | -40 to 125   | 76718QE             |
| <a href="#">V62/03630-04XE</a>  | Active        | Production           | HTSSOP (PWP)   20 | 2000   LARGE T&R      | Yes         | NIPDAU                               | Level-2-260C-1 YEAR               | -40 to 125   | 76725QE             |
| <a href="#">V62/03630-08XE</a>  | Active        | Production           | HTSSOP (PWP)   20 | 2000   LARGE T&R      | Yes         | NIPDAU                               | Level-2-260C-1 YEAR               | -40 to 125   | 76733QE             |

(1) **Status:** For more details on status, see our [product life cycle](#).

(2) **Material type:** When designated, preproduction parts are prototypes/experimental devices, and are not yet approved or released for full production. Testing and final process, including without limitation quality assurance, reliability performance testing, and/or process qualification, may not yet be complete, and this item is subject to further changes or possible discontinuation. If available for ordering, purchases will be subject to an additional waiver at checkout, and are intended for early internal evaluation purposes only. These items are sold without warranties of any kind.

(3) **RoHS values:** Yes, No, RoHS Exempt. See the [TI RoHS Statement](#) for additional information and value definition.

(4) **Lead finish/Ball material:** Parts may have multiple material finish options. Finish options are separated by a vertical ruled line. Lead finish/Ball material values may wrap to two lines if the finish value exceeds the maximum column width.

(5) **MSL rating/Peak reflow:** The moisture sensitivity level ratings and peak solder (reflow) temperatures. In the event that a part has multiple moisture sensitivity ratings, only the lowest level per JEDEC standards is shown. Refer to the shipping label for the actual reflow temperature that will be used to mount the part to the printed circuit board.

(6) **Part marking:** There may be an additional marking, which relates to the logo, the lot trace code information, or the environmental category of the part.

Multiple part markings will be inside parentheses. Only one part marking contained in parentheses and separated by a "-" will appear on a part. If a line is indented then it is a continuation of the previous line and the two combined represent the entire part marking for that device.

**Important Information and Disclaimer:** The information provided on this page represents TI's knowledge and belief as of the date that it is provided. TI bases its knowledge and belief on information provided by third parties, and makes no representation or warranty as to the accuracy of such information. Efforts are underway to better integrate information from third parties. TI has taken and continues to take reasonable steps to provide representative and accurate information but may not have conducted destructive testing or chemical analysis on incoming materials and chemicals. TI and TI suppliers consider certain information to be proprietary, and thus CAS numbers and other limited information may not be available for release.

In no event shall TI's liability arising out of such information exceed the total purchase price of the TI part(s) at issue in this document sold by TI to Customer on an annual basis.

**TAPE AND REEL INFORMATION**

**QUADRANT ASSIGNMENTS FOR PIN 1 ORIENTATION IN TAPE**


\*All dimensions are nominal

| Device          | Package Type | Package Drawing | Pins | SPQ  | Reel Diameter (mm) | Reel Width W1 (mm) | A0 (mm) | B0 (mm) | K0 (mm) | P1 (mm) | W (mm) | Pin1 Quadrant |
|-----------------|--------------|-----------------|------|------|--------------------|--------------------|---------|---------|---------|---------|--------|---------------|
| TPS76701QPWPREP | HTSSOP       | PWP             | 20   | 2000 | 330.0              | 16.4               | 6.95    | 7.1     | 1.6     | 8.0     | 16.0   | Q1            |
| TPS76715QPWPREP | HTSSOP       | PWP             | 20   | 2000 | 330.0              | 16.4               | 6.95    | 7.1     | 1.6     | 8.0     | 16.0   | Q1            |
| TPS76718QPWPREP | HTSSOP       | PWP             | 20   | 2000 | 330.0              | 16.4               | 6.95    | 7.1     | 1.6     | 8.0     | 16.0   | Q1            |
| TPS76725QPWPREP | HTSSOP       | PWP             | 20   | 2000 | 330.0              | 16.4               | 6.95    | 7.1     | 1.6     | 8.0     | 16.0   | Q1            |
| TPS76733QPWPREP | HTSSOP       | PWP             | 20   | 2000 | 330.0              | 16.4               | 6.95    | 7.1     | 1.6     | 8.0     | 16.0   | Q1            |

## TAPE AND REEL BOX DIMENSIONS



\*All dimensions are nominal

| Device          | Package Type | Package Drawing | Pins | SPQ  | Length (mm) | Width (mm) | Height (mm) |
|-----------------|--------------|-----------------|------|------|-------------|------------|-------------|
| TPS76701QPWPREP | HTSSOP       | PWP             | 20   | 2000 | 350.0       | 350.0      | 43.0        |
| TPS76715QPWPREP | HTSSOP       | PWP             | 20   | 2000 | 350.0       | 350.0      | 43.0        |
| TPS76718QPWPREP | HTSSOP       | PWP             | 20   | 2000 | 350.0       | 350.0      | 43.0        |
| TPS76725QPWPREP | HTSSOP       | PWP             | 20   | 2000 | 350.0       | 350.0      | 43.0        |
| TPS76733QPWPREP | HTSSOP       | PWP             | 20   | 2000 | 350.0       | 350.0      | 43.0        |

## GENERIC PACKAGE VIEW

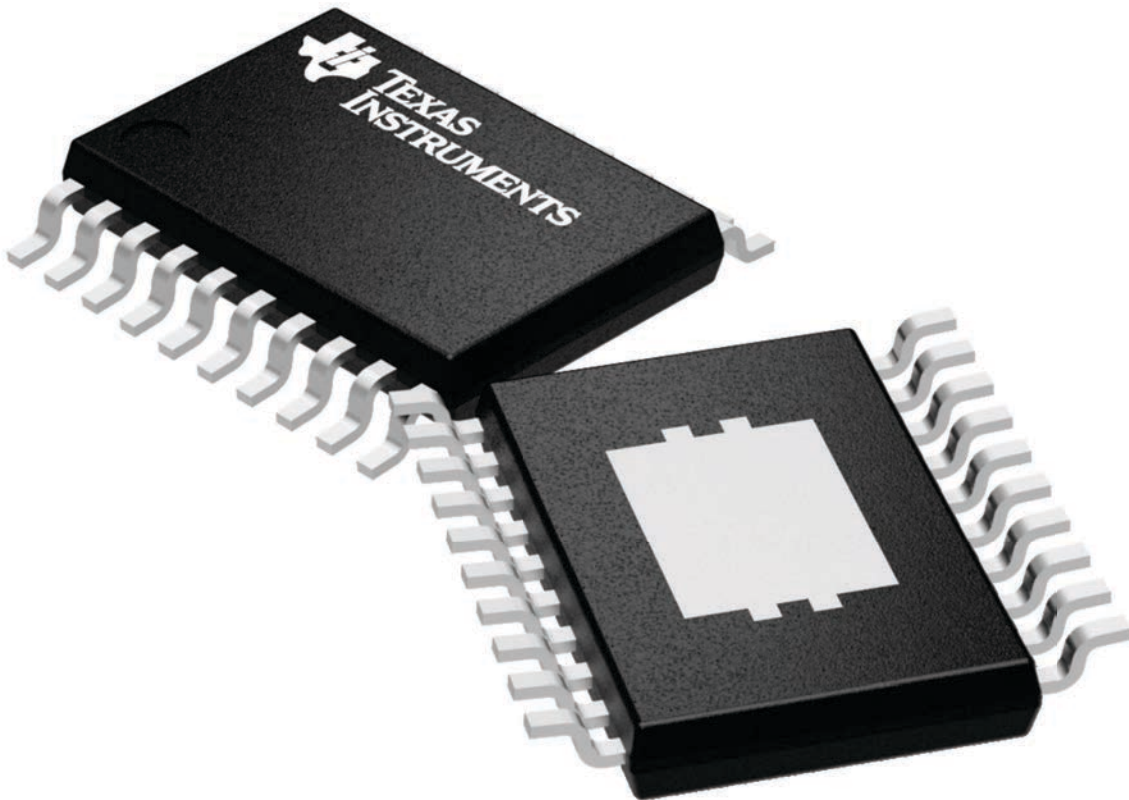
**PWP 20**

**HTSSOP - 1.2 mm max height**

6.5 x 4.4, 0.65 mm pitch

SMALL OUTLINE PACKAGE

This image is a representation of the package family, actual package may vary.  
Refer to the product data sheet for package details.



4224669/A



# MECHANICAL DATA

PWP (R-PDSO-G20)

PowerPAD™ PLASTIC SMALL OUTLINE



4073225-4/1 05/11

- NOTES:
- All linear dimensions are in millimeters.
  - This drawing is subject to change without notice.
  - Body dimensions do not include mold flash or protrusions. Mold flash and protrusion shall not exceed 0.15 per side.
  - This package is designed to be soldered to a thermal pad on the board. Refer to Technical Brief, PowerPad Thermally Enhanced Package, Texas Instruments Literature No. SLMA002 for information regarding recommended board layout. This document is available at [www.ti.com](http://www.ti.com) <<http://www.ti.com>>.
  - See the additional figure in the Product Data Sheet for details regarding the exposed thermal pad features and dimensions.
  - Falls within JEDEC MO-153

PowerPAD is a trademark of Texas Instruments.

## THERMAL PAD MECHANICAL DATA

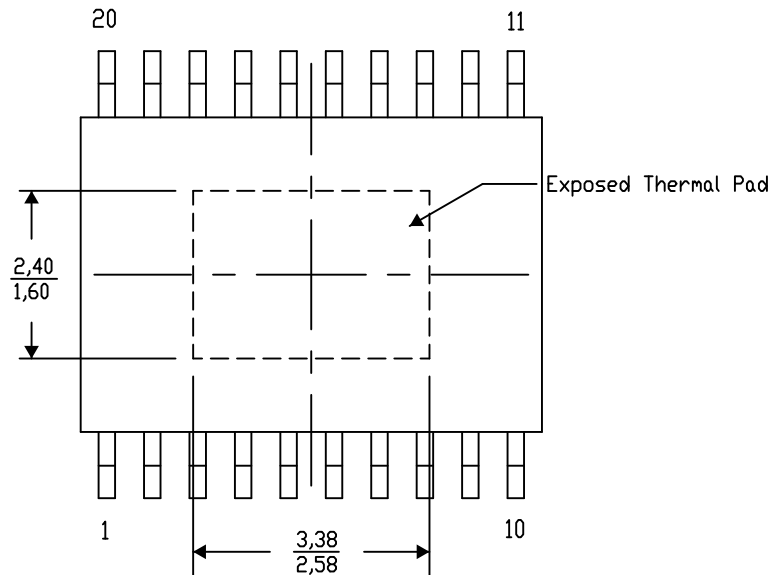
### PWP (R-PDSO-G20) PowerPAD™ SMALL PLASTIC OUTLINE

#### THERMAL INFORMATION

This PowerPAD™ package incorporates an exposed thermal pad that is designed to be attached to a printed circuit board (PCB). The thermal pad must be soldered directly to the PCB. After soldering, the PCB can be used as a heatsink. In addition, through the use of thermal vias, the thermal pad can be attached directly to the appropriate copper plane shown in the electrical schematic for the device, or alternatively, can be attached to a special heatsink structure designed into the PCB. This design optimizes the heat transfer from the integrated circuit (IC).

For additional information on the PowerPAD package and how to take advantage of its heat dissipating abilities, refer to Technical Brief, PowerPAD Thermally Enhanced Package, Texas Instruments Literature No. SLMA002 and Application Brief, PowerPAD Made Easy, Texas Instruments Literature No. SLMA004. Both documents are available at [www.ti.com](http://www.ti.com).

The exposed thermal pad dimensions for this package are shown in the following illustration.



Top View

Exposed Thermal Pad Dimensions

4206332-21/AO 01/16

NOTE: A. All linear dimensions are in millimeters

PowerPAD is a trademark of Texas Instruments

# MECHANICAL DATA

PWP (R-PDSO-G20)

PowerPAD™ PLASTIC SMALL OUTLINE



4073225-4/1 05/11

- NOTES:
- All linear dimensions are in millimeters.
  - This drawing is subject to change without notice.
  - Body dimensions do not include mold flash or protrusions. Mold flash and protrusion shall not exceed 0.15 per side.
  - This package is designed to be soldered to a thermal pad on the board. Refer to Technical Brief, PowerPad Thermally Enhanced Package, Texas Instruments Literature No. SLMA002 for information regarding recommended board layout. This document is available at [www.ti.com](http://www.ti.com) <<http://www.ti.com>>.
  - See the additional figure in the Product Data Sheet for details regarding the exposed thermal pad features and dimensions.
  - Falls within JEDEC MO-153

PowerPAD is a trademark of Texas Instruments.

## THERMAL PAD MECHANICAL DATA

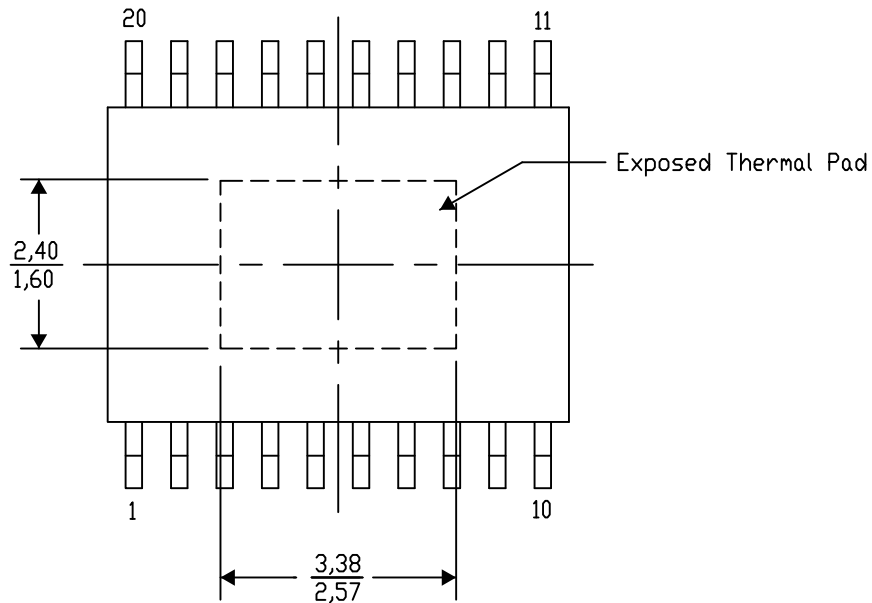
### PWP (R-PDSO-G20) PowerPAD™ SMALL PLASTIC OUTLINE

#### THERMAL INFORMATION

This PowerPAD™ package incorporates an exposed thermal pad that is designed to be attached to a printed circuit board (PCB). The thermal pad must be soldered directly to the PCB. After soldering, the PCB can be used as a heatsink. In addition, through the use of thermal vias, the thermal pad can be attached directly to the appropriate copper plane shown in the electrical schematic for the device, or alternatively, can be attached to a special heatsink structure designed into the PCB. This design optimizes the heat transfer from the integrated circuit (IC).

For additional information on the PowerPAD package and how to take advantage of its heat dissipating abilities, refer to Technical Brief, PowerPAD Thermally Enhanced Package, Texas Instruments Literature No. SLMA002 and Application Brief, PowerPAD Made Easy, Texas Instruments Literature No. SLMA004. Both documents are available at [www.ti.com](http://www.ti.com).

The exposed thermal pad dimensions for this package are shown in the following illustration.



Top View

Exposed Thermal Pad Dimensions

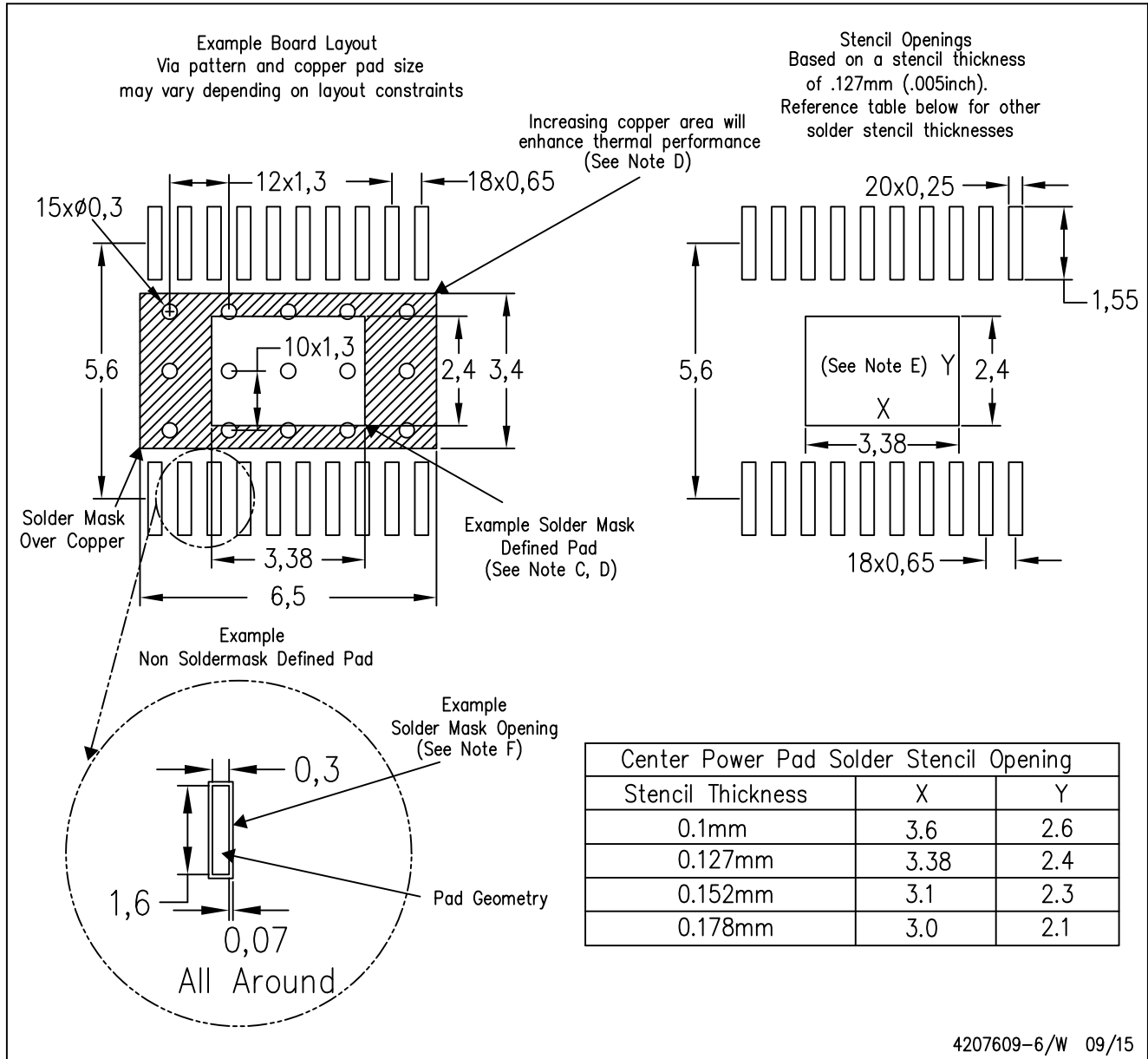
4206332-13/AO 01/16

NOTE: A. All linear dimensions are in millimeters

PowerPAD is a trademark of Texas Instruments

PWP (R-PDSO-G20)

PowerPAD™ PLASTIC SMALL OUTLINE



- NOTES:
- A. All linear dimensions are in millimeters.
  - B. This drawing is subject to change without notice.
  - C. Customers should place a note on the circuit board fabrication drawing not to alter the center solder mask defined pad.
  - D. This package is designed to be soldered to a thermal pad on the board. Refer to Technical Brief, PowerPad Thermally Enhanced Package, Texas Instruments Literature No. SLMA002, SLMA004, and also the Product Data Sheets for specific thermal information, via requirements, and recommended board layout. These documents are available at [www.ti.com](http://www.ti.com) <<http://www.ti.com>>. Publication IPC-7351 is recommended for alternate designs.
  - E. Laser cutting apertures with trapezoidal walls and also rounding corners will offer better paste release. Customers should contact their board assembly site for stencil design recommendations. Example stencil design based on a 50% volumetric metal load solder paste. Refer to IPC-7525 for other stencil recommendations.
  - F. Customers should contact their board fabrication site for solder mask tolerances between and around signal pads.

## IMPORTANT NOTICE AND DISCLAIMER

TI PROVIDES TECHNICAL AND RELIABILITY DATA (INCLUDING DATASHEETS), DESIGN RESOURCES (INCLUDING REFERENCE DESIGNS), APPLICATION OR OTHER DESIGN ADVICE, WEB TOOLS, SAFETY INFORMATION, AND OTHER RESOURCES "AS IS" AND WITH ALL FAULTS, AND DISCLAIMS ALL WARRANTIES, EXPRESS AND IMPLIED, INCLUDING WITHOUT LIMITATION ANY IMPLIED WARRANTIES OF MERCHANTABILITY, FITNESS FOR A PARTICULAR PURPOSE OR NON-INFRINGEMENT OF THIRD PARTY INTELLECTUAL PROPERTY RIGHTS.

These resources are intended for skilled developers designing with TI products. You are solely responsible for (1) selecting the appropriate TI products for your application, (2) designing, validating and testing your application, and (3) ensuring your application meets applicable standards, and any other safety, security, regulatory or other requirements.

These resources are subject to change without notice. TI grants you permission to use these resources only for development of an application that uses the TI products described in the resource. Other reproduction and display of these resources is prohibited. No license is granted to any other TI intellectual property right or to any third party intellectual property right. TI disclaims responsibility for, and you fully indemnify TI and its representatives against any claims, damages, costs, losses, and liabilities arising out of your use of these resources.

TI's products are provided subject to [TI's Terms of Sale](#), [TI's General Quality Guidelines](#), or other applicable terms available either on [ti.com](#) or provided in conjunction with such TI products. TI's provision of these resources does not expand or otherwise alter TI's applicable warranties or warranty disclaimers for TI products. Unless TI explicitly designates a product as custom or customer-specified, TI products are standard, catalog, general purpose devices.

TI objects to and rejects any additional or different terms you may propose.

Copyright © 2025, Texas Instruments Incorporated

Last updated 10/2025