

DPD Test Report: AFE77xxD With SKY66522-11 Power Amplifier



Neeraj Kumar Sharma, Simran Nanda

Introduction

This application brief presents digital pre-distortion (DPD) results of the AFE77xxD transceiver in conjunction with the SKY66522-11 power amplifier (PA). First, a high-level overview of the test setup and transceiver configuration for DPD is explained, followed by adjacent channel leakage ratio (ACLR) test results for three distinct use cases.

The AFE77xxD is a high-performance, multichannel transceiver, integrating four direct up-conversion transmitter chains, four direct down-conversion receiver chains, two wide-band RF-sampling digitizing auxiliary chains (feedback paths), and a low-power DPD engine for PA linearization.

The SKY66522-11 PA is a high-efficiency power amplifier with broad applications in wireless infrastructure and communications equipment.

Test Conditions and Setup

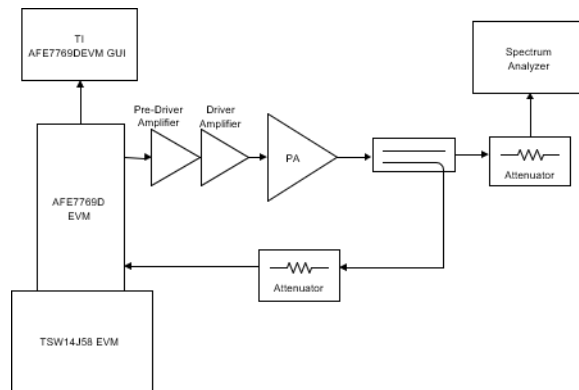


Figure 1. Test Setup Block Diagram

Note

The measurements published in this report were taken on a single PA using TI's test setup. There can be slight DPD linearization differences due to part-to-part variations. PA vendors can release other versions of the same EVM with enhanced efficiency and linearity performance. Customers can use different components in the DPD line up to further fit into the end application usage. Component selection must be evaluated to reproduce results highlighted in this DPD report.

Table 1. Setup Details

Parameter	Detail
Gain of predriver amplifier and gain block (dB)	16
Instantaneous bandwidths (IBW) tested (MHz)	20, 100, 160

Table 2. Power Amplifier Details According to Data Sheet

Key Attribute	Value
Power amplifier	SKY66522-11 (Serial no. SN5)
Operating frequency range (MHz)	2300 – 2690
Rated output power (dBm)	31
Gain (dB)	36.5 (36.4 based on serial no.)
Efficiency (%)	31.2% based on serial no.
Supply voltage (V _{DS})	5, 12

Note

The AFE77xxD device is configured through TI's Latte software, which programs and integrates the AFE into the system, or end application, for a more customized setup of the transceiver. Customers have moderate control of AFE configuration, depending on a given use case based on multiple parameters (for example, PA type, frequency range, PA gain, and bandwidth). The flexible adjustment of such parameters is performed without changing the system hardware, which further simplifies the system integration process.

5G New Radio (NR) is the standard signal in wireless communications and is the signal used for the following tests in this report.

Test Case 1

Table 3. Test Conditions - 20MHz Signal at 2.595GHz Center Frequency, 8dB PAR; Test Signal TM3.1a TDD

Parameter	Value
TX interface rate (MSPS)	61.44
DPD rate (MSPS)	122.88

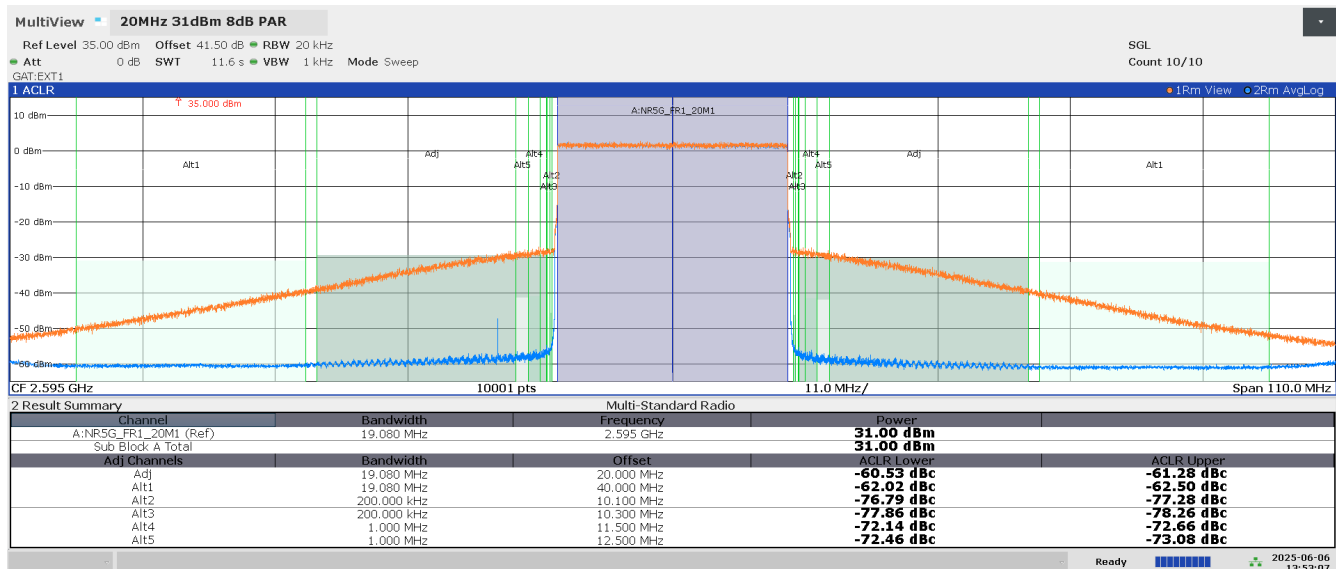


Figure 2. Case 1: ACLR Plot Before (Orange) and After (Blue) DPD is Enabled

Table 4. Case 1 ACLR Summary

Parameter	PA Output Power (dBm)	Adjacent Power Lower (dBc)	Adjacent Power Upper (dBc)	Alternate Power Lower (dBc)	Alternate Power Upper (dBc)	PA Efficiency
Without DPD	31	-33.7	-34.1	-45.5	-46.6	-
With DPD	31	-60.5	-61.2	-62.0	-62.5	30.9%

Test Case 2

Table 5. Test Conditions - 100MHz Signal at 2.595GHz Center Frequency, 8dB PAR; Test Signal TM3.1a TDD

Parameter	Value
TX interface rate (MSPS)	122.88
DPD rate (MSPS)	368.64

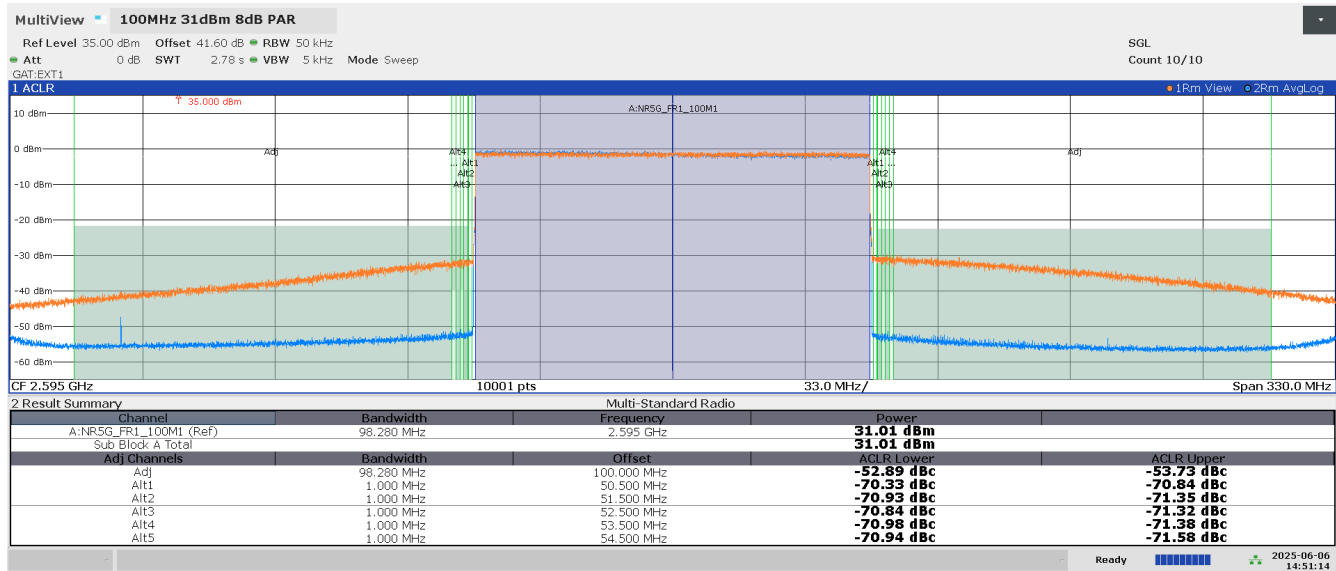


Figure 3. Case 2: ACLR Plot Before (Orange) and After (Blue) DPD is Enabled

Table 6. Case 2 ACLR Summary

Parameter	PA Output Power (dBm)	Adjacent Power Lower (dBc)	Adjacent Power Upper (dBc)	PA Efficiency
Without DPD	31	-34.8	-32.6	-
With DPD	31	-52.8	-53.7	31%

Test Case 3

Table 7. Test Conditions - 2x80MHz Signal at 2.595GHz Center Frequency, 8dB PAR; Test Signal TM3.1a TDD

Parameter	Value
TX interface rate (MSPS)	245.76
DPD rate (MSPS)	552.96

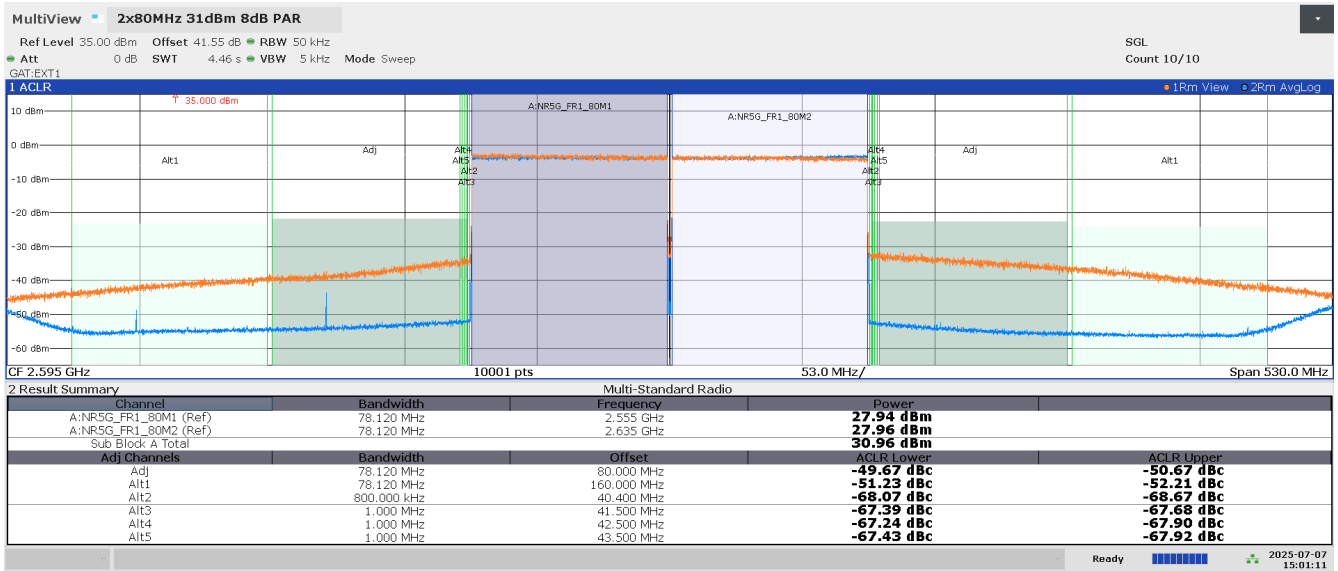


Figure 4. Case 3: ACLR Plot Before (Orange) and After (Blue) DPD is Enabled

Table 8. Case 3 ACLR Summary

Parameter	PA Output Power (dBm)	Adjacent Power Lower (dBc)	Adjacent Power Upper (dBc)	Alternate Power Lower (dBc)	Alternate Power Upper (dBc)	PA Efficiency
Without DPD	31	-33.6	-30.5	-37.9	-35.1	-
With DPD	31	-49.6	-50.6	-51.2	-52.2	31%

Summary

Table 9 and Table 10 summarize both the test conditions and case results for all test cases.

Table 9. Summary of Test Cases

Test	Center Frequency (GHz)	Signal Bandwidth	PA Output Power (dBm)	PAR (dB)	V _{DS}
Case 1	2.595	20MHz	31	8	5V, 12V
Case 2	2.595	100MHz	31	8	5V, 12V
Case 3	2.595	2x80MHz	31	8	5V, 12V

Table 10. Summary of DPD Performance Results

Test	PA Output Power (dBm)	Adjacent Power Lower (dBc)	Adjacent Power Upper (dBc)	Alternate Power Lower (dBc)	Alternate Power Upper (dBc)
Case 1	31	-60.5	-61.2	-62.0	-62.5
Case 2	31	-52.8	-53.7	-	-
Case 3	31	-49.6	-50.6	-51.2	-52.2

In conclusion, the AFE77xxD demonstrates linearization capability on the Skyworks SKY66522-11 PA through unique DPD algorithms, and reduces power consumption when compared to TX line-up design without DPD.

Trademarks

All trademarks are the property of their respective owners.

IMPORTANT NOTICE AND DISCLAIMER

TI PROVIDES TECHNICAL AND RELIABILITY DATA (INCLUDING DATA SHEETS), DESIGN RESOURCES (INCLUDING REFERENCE DESIGNS), APPLICATION OR OTHER DESIGN ADVICE, WEB TOOLS, SAFETY INFORMATION, AND OTHER RESOURCES "AS IS" AND WITH ALL FAULTS, AND DISCLAIMS ALL WARRANTIES, EXPRESS AND IMPLIED, INCLUDING WITHOUT LIMITATION ANY IMPLIED WARRANTIES OF MERCHANTABILITY, FITNESS FOR A PARTICULAR PURPOSE OR NON-INFRINGEMENT OF THIRD PARTY INTELLECTUAL PROPERTY RIGHTS.

These resources are intended for skilled developers designing with TI products. You are solely responsible for (1) selecting the appropriate TI products for your application, (2) designing, validating and testing your application, and (3) ensuring your application meets applicable standards, and any other safety, security, regulatory or other requirements.

These resources are subject to change without notice. TI grants you permission to use these resources only for development of an application that uses the TI products described in the resource. Other reproduction and display of these resources is prohibited. No license is granted to any other TI intellectual property right or to any third party intellectual property right. TI disclaims responsibility for, and you will fully indemnify TI and its representatives against, any claims, damages, costs, losses, and liabilities arising out of your use of these resources.

TI's products are provided subject to [TI's Terms of Sale](#) or other applicable terms available either on [ti.com](https://www.ti.com) or provided in conjunction with such TI products. TI's provision of these resources does not expand or otherwise alter TI's applicable warranties or warranty disclaimers for TI products.

TI objects to and rejects any additional or different terms you may have proposed.

Mailing Address: Texas Instruments, Post Office Box 655303, Dallas, Texas 75265

Copyright © 2025, Texas Instruments Incorporated