

# ***TPS61199EVM-598 Evaluation Module for TPS61199 White LED Driver for LCD Monitor Backlighting***

---



---



---

This user's guide describes the characteristics, operation, and use of the TPS61199 evaluation module (EVM). This EVM contains the Texas Instruments TPS61199, a WLED power solution providing up to eight independently regulated current outputs using a single inductor step-up (boost) converter. The current outputs are ideal for driving a WLED backlight in notebook/laptop computers. This user's guide includes EVM specifications, recommended test setup, bill of materials, and a schematic diagram.

## **Contents**

1	Applications .....	2
2	TPS61199EVM-598 Electrical Performance Specifications .....	2
3	Modifications .....	2
4	Schematic and Bill of Materials .....	3
5	Connector and Test Point Descriptions .....	4
	5.1 Input/Output Connections .....	4
6	Test Requirements and Setup .....	6
	6.1 Hardware Requirements .....	6
	6.2 Hardware Setup .....	6
7	TPS61199EVM-598 Assembly Drawings and Layout .....	6

## **List of Figures**

1	HPA598EVM Schematic .....	3
2	TPS61199EVM Test Setup .....	6
3	TPS61199EVM-598 Component Placement, Viewed From Top .....	7
4	TPS61199EVM-598 Top Copper, Viewed From Top .....	8
5	TPS61199EVM-598 Bottom Copper, Viewed From Bottom .....	8

## **List of Tables**

1	TPS61199EVM-598 Electrical Performance Specifications .....	2
2	Bill of Materials .....	4

## 1 Applications

The TPS61199 is an excellent solution for computer notebook and monitor LCD display backlighting.

## 2 TPS61199EVM-598 Electrical Performance Specifications

Table 1 provides a summary of the TPS61199EVM-598 performance specifications. All specifications are given for an ambient temperature of 25°C.

**Table 1. TPS61199EVM-598 Electrical Performance Specifications**

Parameter		Notes and Conditions <sup>(1)</sup>	Min	Typ	Max	Unit
<b>Input Characteristics</b>						
V <sub>IN</sub>	Input voltage		8		30	V
EN, PWM	Logic high		2		20	V
EN, PWM	Logic low				0.8	V
I <sub>q,VIN</sub>	Input quiescent current	EN=high, PWM=low, no switching, V <sub>IN</sub> = 30 V, No load			1.5	mA
V <sub>IN_UVLO</sub>	Input UVLO	V <sub>IN</sub> ramp down		6.5	7	V
		V <sub>IN</sub> hysteresis		0.3		
<b>Output Characteristics</b>						
V <sub>OUT</sub>	V(TP1)	J6 connected to 8 strings of 17 WLEDs, JP1 shorted, JP4-11 pins 1-2 shorted, EN/PWM = VDD	50		53	V
		J6 connected to 8 strings of 17 WLED, JP1 open, JP4-11 pins 1-2 shorted, EN/PWM = VDD, OVP active			60	V
I <sub>OUT</sub>	I(JP1) = 8 X IFBx	V <sub>IN</sub> = 12 V, R <sub>ISSET</sub> = 40.6 kΩ, PWM = VDD		480		mA
<b>System Characteristics</b>						
f <sub>s</sub>	Oscillator frequency	R <sub>FSW</sub> = 160 kΩ	0.4	0.5	0.6	MHz

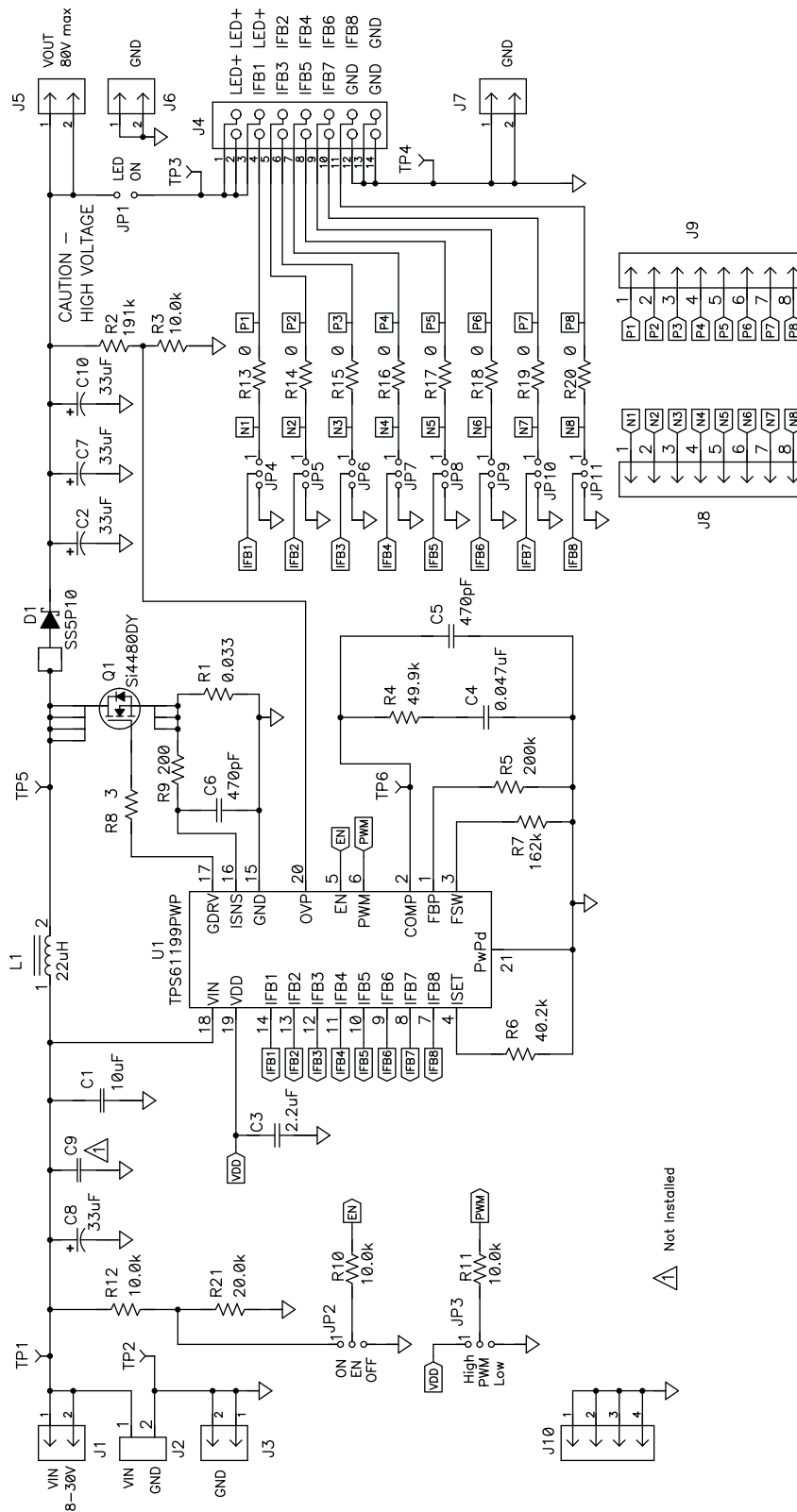
<sup>(1)</sup> The user can estimate the input current by solving the power balance equation,  $eff = P_{OUT}/P_{IN} = (V_O \times I_O)/(V_{IN} \times I_{IN})$ , for I<sub>IN</sub> and estimating the efficiency to be a conservative 85%. For example, for V<sub>O</sub> = 51 V, V<sub>IN</sub> = 8 V and I<sub>O</sub> = 8 x 60 mA = 480 mA, I<sub>IN</sub> = (51 V x 480 mA)/(8 V x 0.85) = 3.6 A

## 3 Modifications

See the data sheet ([SLVSAN3](#)) when changing components such as R6 to set the LED current or R2 and R3 to set the OVP threshold. To aid in such customization of the EVM, the board was designed with devices having 0603 or larger footprints. A real implementation likely occupies less total board space.

Note that changing components can improve or degrade EVM performance. For example, using inductors with larger saturation current rating allows the use of lower input voltages.

### 4 Schematic and Bill of Materials



NOTE: For Reference Only, See Table 2 specific Values

Figure 1. HPA598EVM Schematic

**Table 2. Bill of Materials**

Count	RefDes	Value	Description	Size	Part Number	MFR
1	C1	10 $\mu$ F	Capacitor, Ceramic, 50V, X7R, 10%	1210	Std	Std
4	C2, C7, C8, C10	33 $\mu$ F	Capacitor, Electrolytic, 100VDC, 20%	8 x 11.5 mm	UPW2A330MPD6	Nichicon
1	C3	2.2 $\mu$ F	Capacitor, Ceramic, 10V, X7R, 10%	0805	Std	Std
1	C4	0.047 $\mu$ F	Capacitor, Ceramic, 25V, X7R, 10%	0603	Std	Std
2	C5, C6	470 pF	Capacitor, Ceramic, 25V, X7R, 10%	0603	Std	Std
0	C9	Open	Capacitor, Ceramic	1210	Std	Vishay
1	D1	SS5P10 Alt. PDS5100H	Diode, High Current, Schottky Barrier, 5A, 100V	TO-277	SS5P10-M3/86A Alt. PDS5100H	Vishay Alt. Diodes Inc
5	J1, J3, J5-J7	PEC02SAAN	Header, Male 2-pin, 100mil spacing	0.100 inch x 2	PEC02SAAN	Sullins
1	J2	ED555/2DS	Terminal Block, 2-pin, 6-A, 3.5mm	0.27 x 0.25 inch	ED555/2DS	OST
1	J4	N2514-6002-RB	Connector, Male Straight 2x7 pin, 100mil spacing, 4 Wall	0.100 inch x 2x7	N2514-6002-RB	3M
2	J8, J9	PEC08SAAN	Header, Male 8-pin, 100mil spacing	0.100 inch x 8	PEC08SAAN	Sullins
1	J10	PEC04SAAN	Header, Male 4-pin, 100mil spacing,	0.100 inch x 4	PEC04SAAN	Sullins
1	JP1	PEC02SAAN	Header, 2-pin, 100mil spacing	0.100 inch x 2	PEC02SAAN	Sullins
10	JP2-JP11	PEC03SAAN	Header, 3-pin, 100mil spacing	0.100 inch x 3	PEC03SAAN	Sullins
1	L1	22 $\mu$ H	Inductor, SMT, 3.6A, 43.2 m $\Omega$	0.485 sq inch	CDRH127NP- 220MC Alt. MSS1278-223ML	Sumida Alt. Coilcraft
1	Q1	SI4480DY Alt. FDS3590	MOSFET, N-ch, 80V, 6A, 35 m $\Omega$	SO8	SI4480DY-T1-E3 Alt. FDS3590	Vishay Alt. Fairchild
1	R1	0.033	Resistor, Chip, 1/2W, 1%	1812	Std	Std
1	R2	191k	Resistor, Chip, 1/16W, 1%	0603	Std	Std
4	R3, R10-R12	10k	Resistor, Chip, 1/16W, 1%	0603	Std	Std
1	R4	49.9K	Resistor, Chip, 1/16W, 1%	0603	Std	Std
1	R5	200K	Resistor, Chip, 1/16W, 1%	0603	Std	Std
1	R6	40.2k	Resistor, Chip, 1/16W, 1%	0603	Std	Std
1	R7	162k	Resistor, Chip, 1/16W, 1%	0603	Std	Std
1	R8	3	Resistor, Chip, 1/16W, 1%	0603	Std	Std
1	R9	200	Resistor, Chip, 1/16W, 1%	0603	Std	Std
8	R13-R20	0	Resistor, Chip, 1/10W, 1%	0805	Std	Std
1	R21	20k	Resistor, Chip, 1/16W, 1%	0603	Std	Std
4	TP1, TP3, TP5, TP6	5000	Test Point, Red, Thru Hole Color Keyed	0.100 x 0.100 inch	5000	Keystone
2	TP2, TP4	5001	Test Point, Black, Thru Hole Color Keyed	0.100 x 0.100 inch	5001	Keystone
1	U1	TPS61199PWP	IC, WLED Driver for LCD Monitors Backlighting	HTSSOP	TPS61199PWP	TI
11	-		Shunt, 100-mil, Black	0.100	929950-00	3M
1			PCB, 2.05 x 3.675 x 0.062 inch		HPA598	Any

## 5 Connector and Test Point Descriptions

### 5.1 Input/Output Connections

The connections points are described in the following paragraphs.

#### 5.1.1 J1 – VIN

This header is the positive connection to the input power supply. Twist the input supply and GND leads to the input supply and keep them as short as possible.

**5.1.2 J2 – VIN/GND**

This header provides a high current positive and return connection to the input power supply. Twist the input supply leads and keep them as short as possible.

**5.1.3 J3 – GND**

This header is the return connection to the input power supply.

**5.1.4 J4 – 14-Pin Connector**

This header facilitates connecting the TPS61199EVM-598 to the load using a 14-pin ribbon cable. The load must be created by the user with WLEDs or properly sized resistors.

**5.1.5 J5 – VOUT**

This header connects to the board's VOUT plane.

**5.1.6 J6, J7, and J10 – GND**

These headers connect to the board's GND plane.

**5.1.7 J8 and J9**

By changing R13-R20 from 0 ohms to a small resistor, these headers allow the user to measure the voltage across each resistor and therefore the current into each IFBx pin individually. They also provide the user easy connection to the IFBx pins if a ribbon cable into J4 is not used.

**5.1.8 JP1 – LED ON**

The user can remove the shunt on this jumper and connect the high side of the load to J5. Installing the shunt on this jumper connects the output of the boost converter to J4. Removing the jumper removes the load connected to J4 from the boost converter feedback path and causes the integrated circuit's (IC) overvoltage protection circuitry to activate. Instead of the shunt, the user can place an ammeter across the jumper to measure the total output current (i.e., 8×IFBx).

**5.1.9 JP2 – EN**

Installing the shunt on this jumper to ON sets the ENABLE pin voltage to VIN scaled down with a resistor divider, thereby enabling the IC's boost converter. Connecting it to OFF pulls EN to ground, which disables the IC's boost converter.

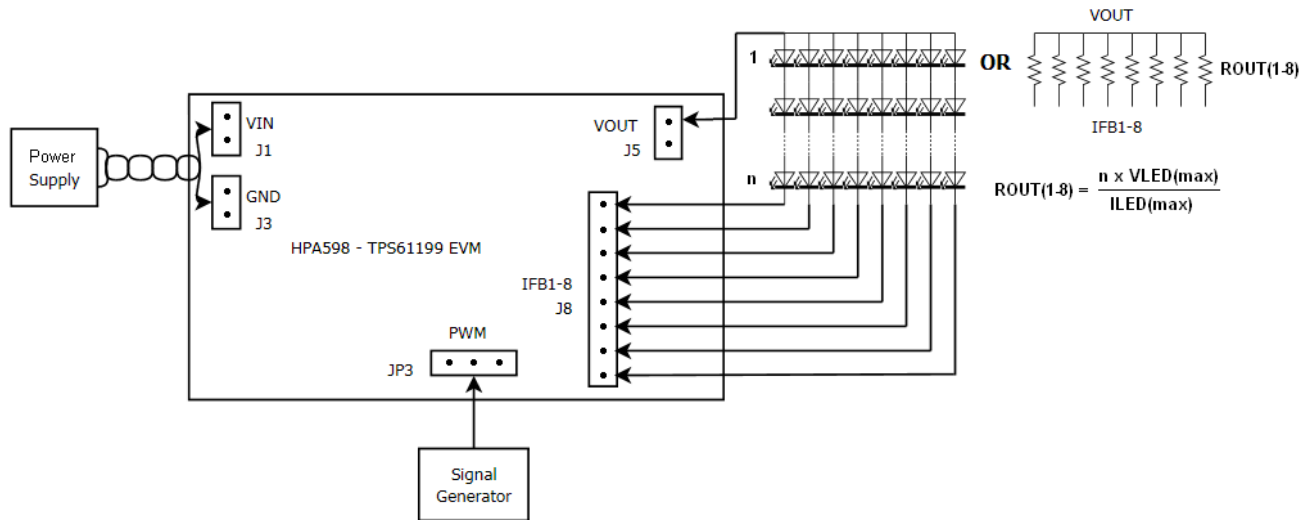
**5.1.10 JP3 – PWM**

Installing the shunt on this jumper to VDD sets the current sinks to 100% current and therefore any attached LEDs to full brightness. The user must connect an external PWM signal or use JP3 to take PWM to a logic high (above 2 V but no higher than 20 V) in order to enable the current sinks.

**5.1.11 JP4 – JP11**

The user can use the shunt to tie the IFBx pin to JPx and then connect J8 or J9 to the low side of the external resistors or WLEDs. Alternatively, the user can connect J4 to the load. For strings that are not used, the user should tie the applicable IFBx pin to GND using these jumpers.

## 6 Test Requirements and Setup



**Figure 2. TPS61199EVM Test Setup**

### 6.1 Hardware Requirements

1. This EVM requires an external power supply capable of providing up to 30 V at 4 A.
2. If dimming via an external PWM signal is desired, then a function generator capable of providing at least a 2-V amplitude PWM signal between 100 Hz to 22 kHz is required to avoid screen flickering and maintain dimming linearity.
3. A load using resistors or WLEDs is required. The resistance required in each string is chosen using the output voltage and desired current in each string. The output voltage is determined by the sum of the maximum forward voltage drop of all "n" WLEDs in one string.  $R_{OUT} = (n \times V_{LED(MAX)}) / I_{LED(MAX)}$ . For example, if there are n=14 LEDs with  $V_{LED(MAX)} = 3.6$  V,  $I_{LED(MAX)} = 60$  mA, then  $R_{OUT} = (14 \times 3.6$  V)/60 mA = 840  $\Omega$  → 845  $\Omega$  next highest standard value.
4. Digital multimeters capable of measuring voltages and currents are recommended.
5. An oscilloscope is also recommended.

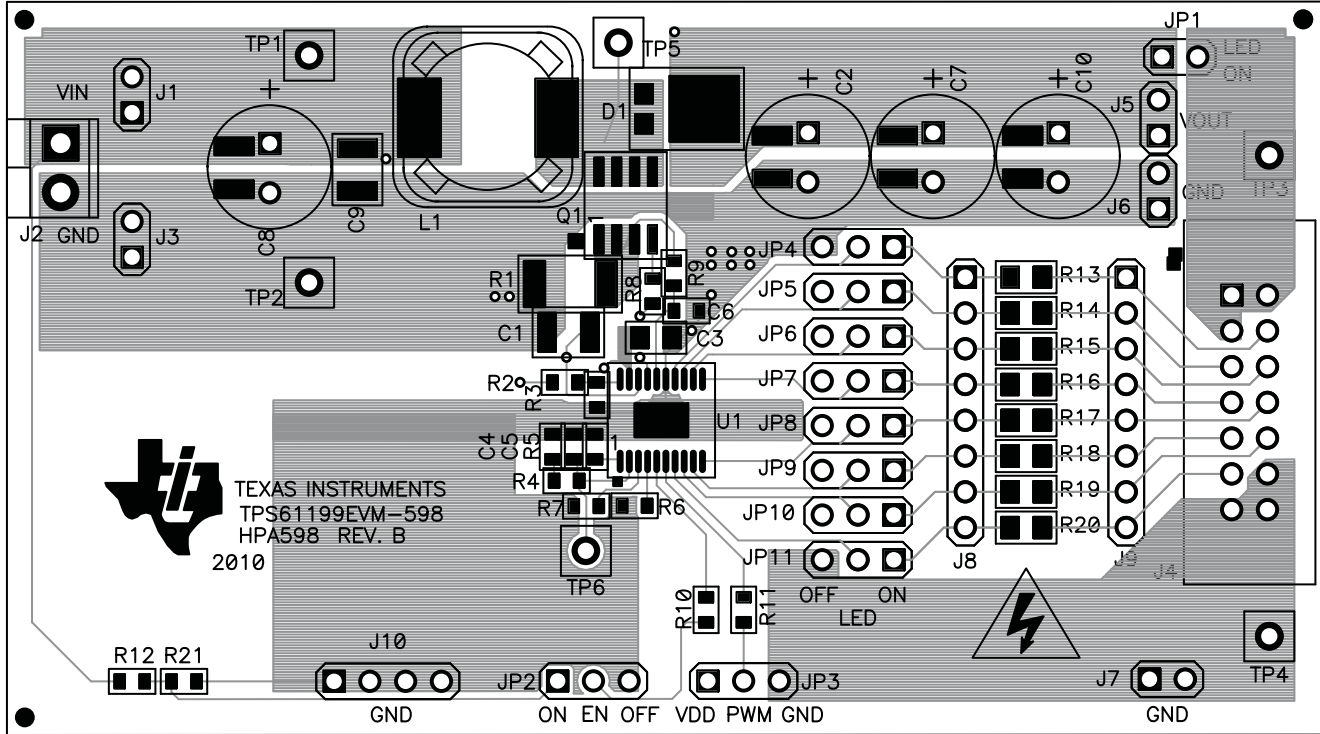
### 6.2 Hardware Setup

- Connect a power supply capable of supplying up to 30 V at 4 A between VIN and GND (J2 or J1 and J3). Do not turn on the power supply.
- Either set JP2 ON or connect a second logic signal or power supply capable of providing at least 2-V voltage to the high-impedance EN pin of JP2.
- J5 must be connected directly or through an ammeter to the high side of the load. The low side of each string in the load must then be connected to IFBx using J8 or J9. Alternatively, JP1 must be connected directly or through an ammeter. Alternatively, a load can be connected to J4 using a 14-pin ribbon cable.
- Properly configure JP4-JP11 so that each IFB line either connects directly to the J8 connector or to GND. Unused IFBx lines must have the appropriate JP4-JP11 jumpers shunted to ground.
- To turn on the LEDs at full LED current and brightness, install JP3's shunt to VDD.
- To dim the LEDs by PWM dimming, connect the function generator to the PWM pin of JP3.

## 7 TPS61199EVM-598 Assembly Drawings and Layout

The following figures (Figure 3 through Figure 5) show the design of the TPS61199EVM-598

printed-circuit board (PCB). The EVM has been designed using a two-layer, 2-oz, copper-clad circuit board, 52.070 mm × 93.345 mm, with all components on the top side and all active traces to the top and bottom layers to allow the user to easily view, probe, and evaluate the TPS61199 control IC in a practical, double-sided application. Moving components to both sides of the PCB or using additional internal layers can offer additional size reduction for space-constrained systems.



**Figure 3. TPS61199EVM-598 Component Placement, Viewed From Top**

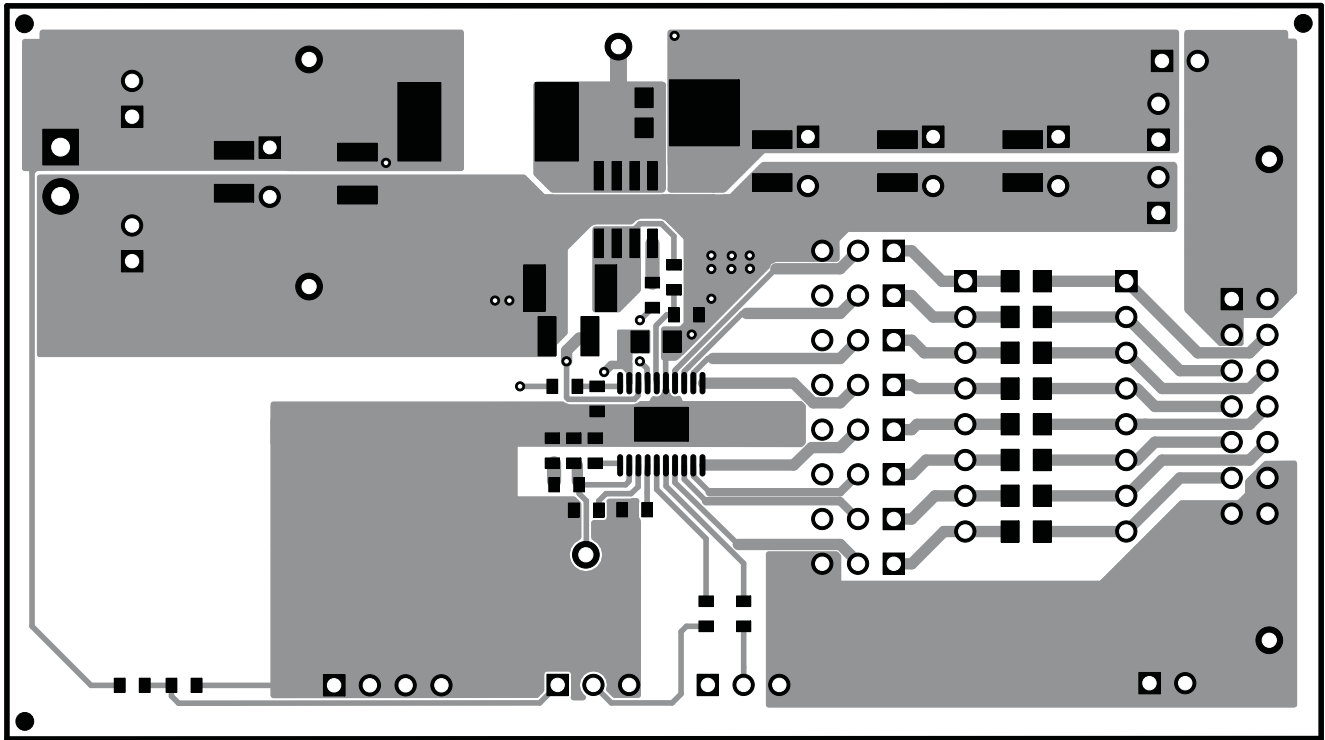


Figure 4. TPS61199EVM-598 Top Copper, Viewed From Top

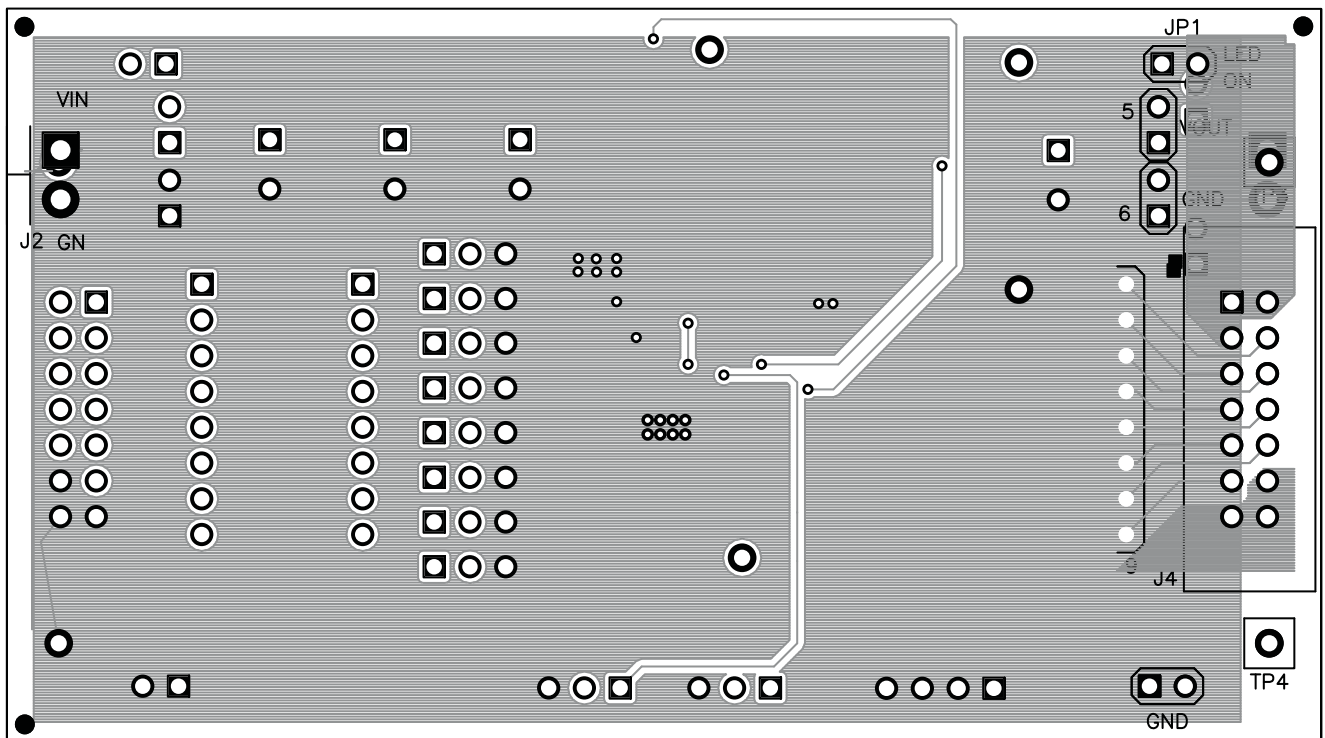


Figure 5. TPS61199EVM-598 Bottom Copper, Viewed From Bottom



## Evaluation Board/Kit Important Notice

Texas Instruments (TI) provides the enclosed product(s) under the following conditions:

This evaluation board/kit is intended for use for **ENGINEERING DEVELOPMENT, DEMONSTRATION, OR EVALUATION PURPOSES ONLY** and is not considered by TI to be a finished end-product fit for general consumer use. Persons handling the product(s) must have electronics training and observe good engineering practice standards. As such, the goods being provided are not intended to be complete in terms of required design-, marketing-, and/or manufacturing-related protective considerations, including product safety and environmental measures typically found in end products that incorporate such semiconductor components or circuit boards. This evaluation board/kit does not fall within the scope of the European Union directives regarding electromagnetic compatibility, restricted substances (RoHS), recycling (WEEE), FCC, CE or UL, and therefore may not meet the technical requirements of these directives or other related directives.

Should this evaluation board/kit not meet the specifications indicated in the User's Guide, the board/kit may be returned within 30 days from the date of delivery for a full refund. **THE FOREGOING WARRANTY IS THE EXCLUSIVE WARRANTY MADE BY SELLER TO BUYER AND IS IN LIEU OF ALL OTHER WARRANTIES, EXPRESSED, IMPLIED, OR STATUTORY, INCLUDING ANY WARRANTY OF MERCHANTABILITY OR FITNESS FOR ANY PARTICULAR PURPOSE.**

The user assumes all responsibility and liability for proper and safe handling of the goods. Further, the user indemnifies TI from all claims arising from the handling or use of the goods. Due to the open construction of the product, it is the user's responsibility to take any and all appropriate precautions with regard to electrostatic discharge.

**EXCEPT TO THE EXTENT OF THE INDEMNITY SET FORTH ABOVE, NEITHER PARTY SHALL BE LIABLE TO THE OTHER FOR ANY INDIRECT, SPECIAL, INCIDENTAL, OR CONSEQUENTIAL DAMAGES.**

TI currently deals with a variety of customers for products, and therefore our arrangement with the user **is not exclusive.**

TI assumes **no liability for applications assistance, customer product design, software performance, or infringement of patents or services described herein.**

Please read the User's Guide and, specifically, the Warnings and Restrictions notice in the User's Guide prior to handling the product. This notice contains important safety information about temperatures and voltages. For additional information on TI's environmental and/or safety programs, please contact the TI application engineer or visit [www.ti.com/esh](http://www.ti.com/esh).

No license is granted under any patent right or other intellectual property right of TI covering or relating to any machine, process, or combination in which such TI products or services might be or are used.

## FCC Warning

This evaluation board/kit is intended for use for **ENGINEERING DEVELOPMENT, DEMONSTRATION, OR EVALUATION PURPOSES ONLY** and is not considered by TI to be a finished end-product fit for general consumer use. It generates, uses, and can radiate radio frequency energy and has not been tested for compliance with the limits of computing devices pursuant to part 15 of FCC rules, which are designed to provide reasonable protection against radio frequency interference. Operation of this equipment in other environments may cause interference with radio communications, in which case the user at his own expense will be required to take whatever measures may be required to correct this interference.

## EVM Warnings and Restrictions

It is important to operate this EVM within the input voltage range of 8 V to 30 V and the output voltage range of 0 V to 100 V .

Exceeding the specified input range may cause unexpected operation and/or irreversible damage to the EVM. If there are questions concerning the input range, please contact a TI field representative prior to connecting the input power.

Applying loads outside of the specified output range may result in unintended operation and/or possible permanent damage to the EVM. Please consult the EVM User's Guide prior to connecting any load to the EVM output. If there is uncertainty as to the load specification, please contact a TI field representative.

During normal operation, some circuit components may have case temperatures greater than 150° C. The EVM is designed to operate properly with certain components above 150° C as long as the input and output ranges are maintained. These components include but are not limited to linear regulators, switching transistors, pass transistors, and current sense resistors. These types of devices can be identified using the EVM schematic located in the EVM User's Guide. When placing measurement probes near these devices during operation, please be aware that these devices may be very warm to the touch.

Mailing Address: Texas Instruments, Post Office Box 655303, Dallas, Texas 75265  
Copyright © 2011, Texas Instruments Incorporated

## STANDARD TERMS FOR EVALUATION MODULES

1. *Delivery:* TI delivers TI evaluation boards, kits, or modules, including any accompanying demonstration software, components, and/or documentation which may be provided together or separately (collectively, an "EVM" or "EVMs") to the User ("User") in accordance with the terms set forth herein. User's acceptance of the EVM is expressly subject to the following terms.
  - 1.1 EVMs are intended solely for product or software developers for use in a research and development setting to facilitate feasibility evaluation, experimentation, or scientific analysis of TI semiconductors products. EVMs have no direct function and are not finished products. EVMs shall not be directly or indirectly assembled as a part or subassembly in any finished product. For clarification, any software or software tools provided with the EVM ("Software") shall not be subject to the terms and conditions set forth herein but rather shall be subject to the applicable terms that accompany such Software
  - 1.2 EVMs are not intended for consumer or household use. EVMs may not be sold, sublicensed, leased, rented, loaned, assigned, or otherwise distributed for commercial purposes by Users, in whole or in part, or used in any finished product or production system.
2. *Limited Warranty and Related Remedies/Disclaimers:*
  - 2.1 These terms do not apply to Software. The warranty, if any, for Software is covered in the applicable Software License Agreement.
  - 2.2 TI warrants that the TI EVM will conform to TI's published specifications for ninety (90) days after the date TI delivers such EVM to User. Notwithstanding the foregoing, TI shall not be liable for a nonconforming EVM if (a) the nonconformity was caused by neglect, misuse or mistreatment by an entity other than TI, including improper installation or testing, or for any EVMs that have been altered or modified in any way by an entity other than TI, (b) the nonconformity resulted from User's design, specifications or instructions for such EVMs or improper system design, or (c) User has not paid on time. Testing and other quality control techniques are used to the extent TI deems necessary. TI does not test all parameters of each EVM. User's claims against TI under this Section 2 are void if User fails to notify TI of any apparent defects in the EVMs within ten (10) business days after delivery, or of any hidden defects with ten (10) business days after the defect has been detected.
  - 2.3 TI's sole liability shall be at its option to repair or replace EVMs that fail to conform to the warranty set forth above, or credit User's account for such EVM. TI's liability under this warranty shall be limited to EVMs that are returned during the warranty period to the address designated by TI and that are determined by TI not to conform to such warranty. If TI elects to repair or replace such EVM, TI shall have a reasonable time to repair such EVM or provide replacements. Repaired EVMs shall be warranted for the remainder of the original warranty period. Replaced EVMs shall be warranted for a new full ninety (90) day warranty period.

### **WARNING**

**Evaluation Kits are intended solely for use by technically qualified, professional electronics experts who are familiar with the dangers and application risks associated with handling electrical mechanical components, systems, and subsystems.**

**User shall operate the Evaluation Kit within TI's recommended guidelines and any applicable legal or environmental requirements as well as reasonable and customary safeguards. Failure to set up and/or operate the Evaluation Kit within TI's recommended guidelines may result in personal injury or death or property damage. Proper set up entails following TI's instructions for electrical ratings of interface circuits such as input, output and electrical loads.**

**NOTE:**

**EXPOSURE TO ELECTROSTATIC DISCHARGE (ESD) MAY CAUSE DEGRADATION OR FAILURE OF THE EVALUATION KIT; TI RECOMMENDS STORAGE OF THE EVALUATION KIT IN A PROTECTIVE ESD BAG.**

### 3 Regulatory Notices:

#### 3.1 United States

##### 3.1.1 Notice applicable to EVMs not FCC-Approved:

**FCC NOTICE:** This kit is designed to allow product developers to evaluate electronic components, circuitry, or software associated with the kit to determine whether to incorporate such items in a finished product and software developers to write software applications for use with the end product. This kit is not a finished product and when assembled may not be resold or otherwise marketed unless all required FCC equipment authorizations are first obtained. Operation is subject to the condition that this product not cause harmful interference to licensed radio stations and that this product accept harmful interference. Unless the assembled kit is designed to operate under part 15, part 18 or part 95 of this chapter, the operator of the kit must operate under the authority of an FCC license holder or must secure an experimental authorization under part 5 of this chapter.

##### 3.1.2 For EVMs annotated as FCC – FEDERAL COMMUNICATIONS COMMISSION Part 15 Compliant:

#### **CAUTION**

This device complies with part 15 of the FCC Rules. Operation is subject to the following two conditions: (1) This device may not cause harmful interference, and (2) this device must accept any interference received, including interference that may cause undesired operation.

Changes or modifications not expressly approved by the party responsible for compliance could void the user's authority to operate the equipment.

#### **FCC Interference Statement for Class A EVM devices**

*NOTE: This equipment has been tested and found to comply with the limits for a Class A digital device, pursuant to part 15 of the FCC Rules. These limits are designed to provide reasonable protection against harmful interference when the equipment is operated in a commercial environment. This equipment generates, uses, and can radiate radio frequency energy and, if not installed and used in accordance with the instruction manual, may cause harmful interference to radio communications. Operation of this equipment in a residential area is likely to cause harmful interference in which case the user will be required to correct the interference at his own expense.*

#### **FCC Interference Statement for Class B EVM devices**

*NOTE: This equipment has been tested and found to comply with the limits for a Class B digital device, pursuant to part 15 of the FCC Rules. These limits are designed to provide reasonable protection against harmful interference in a residential installation. This equipment generates, uses and can radiate radio frequency energy and, if not installed and used in accordance with the instructions, may cause harmful interference to radio communications. However, there is no guarantee that interference will not occur in a particular installation. If this equipment does cause harmful interference to radio or television reception, which can be determined by turning the equipment off and on, the user is encouraged to try to correct the interference by one or more of the following measures:*

- Reorient or relocate the receiving antenna.
- Increase the separation between the equipment and receiver.
- Connect the equipment into an outlet on a circuit different from that to which the receiver is connected.
- Consult the dealer or an experienced radio/TV technician for help.

#### 3.2 Canada

##### 3.2.1 For EVMs issued with an Industry Canada Certificate of Conformance to RSS-210 or RSS-247

#### **Concerning EVMs Including Radio Transmitters:**

This device complies with Industry Canada license-exempt RSSs. Operation is subject to the following two conditions:

(1) this device may not cause interference, and (2) this device must accept any interference, including interference that may cause undesired operation of the device.

#### **Concernant les EVMs avec appareils radio:**

Le présent appareil est conforme aux CNR d'Industrie Canada applicables aux appareils radio exempts de licence. L'exploitation est autorisée aux deux conditions suivantes: (1) l'appareil ne doit pas produire de brouillage, et (2) l'utilisateur de l'appareil doit accepter tout brouillage radioélectrique subi, même si le brouillage est susceptible d'en compromettre le fonctionnement.

#### **Concerning EVMs Including Detachable Antennas:**

Under Industry Canada regulations, this radio transmitter may only operate using an antenna of a type and maximum (or lesser) gain approved for the transmitter by Industry Canada. To reduce potential radio interference to other users, the antenna type and its gain should be so chosen that the equivalent isotropically radiated power (e.i.r.p.) is not more than that necessary for successful communication. This radio transmitter has been approved by Industry Canada to operate with the antenna types listed in the user guide with the maximum permissible gain and required antenna impedance for each antenna type indicated. Antenna types not included in this list, having a gain greater than the maximum gain indicated for that type, are strictly prohibited for use with this device.

### Concernant les EVMs avec antennes détachables

Conformément à la réglementation d'Industrie Canada, le présent émetteur radio peut fonctionner avec une antenne d'un type et d'un gain maximal (ou inférieur) approuvé pour l'émetteur par Industrie Canada. Dans le but de réduire les risques de brouillage radioélectrique à l'intention des autres utilisateurs, il faut choisir le type d'antenne et son gain de sorte que la puissance isotrope rayonnée équivalente (p.i.r.e.) ne dépasse pas l'intensité nécessaire à l'établissement d'une communication satisfaisante. Le présent émetteur radio a été approuvé par Industrie Canada pour fonctionner avec les types d'antenne énumérés dans le manuel d'usage et ayant un gain admissible maximal et l'impédance requise pour chaque type d'antenne. Les types d'antenne non inclus dans cette liste, ou dont le gain est supérieur au gain maximal indiqué, sont strictement interdits pour l'exploitation de l'émetteur.

#### 3.3 Japan

3.3.1 *Notice for EVMs delivered in Japan:* Please see [http://www.tij.co.jp/lstds/ti\\_ja/general/eStore/notice\\_01.page](http://www.tij.co.jp/lstds/ti_ja/general/eStore/notice_01.page) 日本国内に輸入される評価用キット、ボードについては、次のところをご覧ください。

<https://www.ti.com/ja-jp/legal/notice-for-evaluation-kits-delivered-in-japan.html>

3.3.2 *Notice for Users of EVMs Considered "Radio Frequency Products" in Japan:* EVMs entering Japan may not be certified by TI as conforming to Technical Regulations of Radio Law of Japan.

If User uses EVMs in Japan, not certified to Technical Regulations of Radio Law of Japan, User is required to follow the instructions set forth by Radio Law of Japan, which includes, but is not limited to, the instructions below with respect to EVMs (which for the avoidance of doubt are stated strictly for convenience and should be verified by User):

1. Use EVMs in a shielded room or any other test facility as defined in the notification #173 issued by Ministry of Internal Affairs and Communications on March 28, 2006, based on Sub-section 1.1 of Article 6 of the Ministry's Rule for Enforcement of Radio Law of Japan,
2. Use EVMs only after User obtains the license of Test Radio Station as provided in Radio Law of Japan with respect to EVMs, or
3. Use of EVMs only after User obtains the Technical Regulations Conformity Certification as provided in Radio Law of Japan with respect to EVMs. Also, do not transfer EVMs, unless User gives the same notice above to the transferee. Please note that if User does not follow the instructions above, User will be subject to penalties of Radio Law of Japan.

【無線電波を送信する製品の開発キットをお使いになる際の注意事項】 開発キットの中には技術基準適合証明を受けていないものがあります。技術適合証明を受けていないものご使用に際しては、電波法遵守のため、以下のいずれかの措置を取っていただく必要がありますのでご注意ください。

1. 電波法施行規則第6条第1項第1号に基づく平成18年3月28日総務省告示第173号で定められた電波暗室等の試験設備でご使用いただく。
2. 実験局の免許を取得後ご使用いただく。
3. 技術基準適合証明を取得後ご使用いただく。

なお、本製品は、上記の「ご使用にあたっての注意」を譲渡先、移転先に通知しない限り、譲渡、移転できないものとします。

上記を遵守頂けない場合は、電波法の罰則が適用される可能性があることをご留意ください。日本テキサス・イ

ンスツルメンツ株式会社

東京都新宿区西新宿 6 丁目 2 4 番 1 号

西新宿三井ビル

3.3.3 *Notice for EVMs for Power Line Communication:* Please see [http://www.tij.co.jp/lstds/ti\\_ja/general/eStore/notice\\_02.page](http://www.tij.co.jp/lstds/ti_ja/general/eStore/notice_02.page)

電力線搬送波通信についての開発キットをお使いになる際の注意事項については、次のところをご覧ください。 <https://www.ti.com/ja-jp/legal/notice-for-evaluation-kits-for-power-line-communication.html>

#### 3.4 European Union

3.4.1 *For EVMs subject to EU Directive 2014/30/EU (Electromagnetic Compatibility Directive):*

This is a class A product intended for use in environments other than domestic environments that are connected to a low-voltage power-supply network that supplies buildings used for domestic purposes. In a domestic environment this product may cause radio interference in which case the user may be required to take adequate measures.

- 
- 4 *EVM Use Restrictions and Warnings:*
    - 4.1 EVMS ARE NOT FOR USE IN FUNCTIONAL SAFETY AND/OR SAFETY CRITICAL EVALUATIONS, INCLUDING BUT NOT LIMITED TO EVALUATIONS OF LIFE SUPPORT APPLICATIONS.
    - 4.2 User must read and apply the user guide and other available documentation provided by TI regarding the EVM prior to handling or using the EVM, including without limitation any warning or restriction notices. The notices contain important safety information related to, for example, temperatures and voltages.
    - 4.3 *Safety-Related Warnings and Restrictions:*
      - 4.3.1 User shall operate the EVM within TI's recommended specifications and environmental considerations stated in the user guide, other available documentation provided by TI, and any other applicable requirements and employ reasonable and customary safeguards. Exceeding the specified performance ratings and specifications (including but not limited to input and output voltage, current, power, and environmental ranges) for the EVM may cause personal injury or death, or property damage. If there are questions concerning performance ratings and specifications, User should contact a TI field representative prior to connecting interface electronics including input power and intended loads. Any loads applied outside of the specified output range may also result in unintended and/or inaccurate operation and/or possible permanent damage to the EVM and/or interface electronics. Please consult the EVM user guide prior to connecting any load to the EVM output. If there is uncertainty as to the load specification, please contact a TI field representative. During normal operation, even with the inputs and outputs kept within the specified allowable ranges, some circuit components may have elevated case temperatures. These components include but are not limited to linear regulators, switching transistors, pass transistors, current sense resistors, and heat sinks, which can be identified using the information in the associated documentation. When working with the EVM, please be aware that the EVM may become very warm.
      - 4.3.2 EVMs are intended solely for use by technically qualified, professional electronics experts who are familiar with the dangers and application risks associated with handling electrical mechanical components, systems, and subsystems. User assumes all responsibility and liability for proper and safe handling and use of the EVM by User or its employees, affiliates, contractors or designees. User assumes all responsibility and liability to ensure that any interfaces (electronic and/or mechanical) between the EVM and any human body are designed with suitable isolation and means to safely limit accessible leakage currents to minimize the risk of electrical shock hazard. User assumes all responsibility and liability for any improper or unsafe handling or use of the EVM by User or its employees, affiliates, contractors or designees.
    - 4.4 User assumes all responsibility and liability to determine whether the EVM is subject to any applicable international, federal, state, or local laws and regulations related to User's handling and use of the EVM and, if applicable, User assumes all responsibility and liability for compliance in all respects with such laws and regulations. User assumes all responsibility and liability for proper disposal and recycling of the EVM consistent with all applicable international, federal, state, and local requirements.
  5. *Accuracy of Information:* To the extent TI provides information on the availability and function of EVMs, TI attempts to be as accurate as possible. However, TI does not warrant the accuracy of EVM descriptions, EVM availability or other information on its websites as accurate, complete, reliable, current, or error-free.
  6. *Disclaimers:*
    - 6.1 EXCEPT AS SET FORTH ABOVE, EVMS AND ANY MATERIALS PROVIDED WITH THE EVM (INCLUDING, BUT NOT LIMITED TO, REFERENCE DESIGNS AND THE DESIGN OF THE EVM ITSELF) ARE PROVIDED "AS IS" AND "WITH ALL FAULTS." TI DISCLAIMS ALL OTHER WARRANTIES, EXPRESS OR IMPLIED, REGARDING SUCH ITEMS, INCLUDING BUT NOT LIMITED TO ANY EPIDEMIC FAILURE WARRANTY OR IMPLIED WARRANTIES OF MERCHANTABILITY OR FITNESS FOR A PARTICULAR PURPOSE OR NON-INFRINGEMENT OF ANY THIRD PARTY PATENTS, COPYRIGHTS, TRADE SECRETS OR OTHER INTELLECTUAL PROPERTY RIGHTS.
    - 6.2 EXCEPT FOR THE LIMITED RIGHT TO USE THE EVM SET FORTH HEREIN, NOTHING IN THESE TERMS SHALL BE CONSTRUED AS GRANTING OR CONFERRING ANY RIGHTS BY LICENSE, PATENT, OR ANY OTHER INDUSTRIAL OR INTELLECTUAL PROPERTY RIGHT OF TI, ITS SUPPLIERS/LICENSORS OR ANY OTHER THIRD PARTY, TO USE THE EVM IN ANY FINISHED END-USER OR READY-TO-USE FINAL PRODUCT, OR FOR ANY INVENTION, DISCOVERY OR IMPROVEMENT, REGARDLESS OF WHEN MADE, CONCEIVED OR ACQUIRED.
  7. *USER'S INDEMNITY OBLIGATIONS AND REPRESENTATIONS.* USER WILL DEFEND, INDEMNIFY AND HOLD TI, ITS LICENSORS AND THEIR REPRESENTATIVES HARMLESS FROM AND AGAINST ANY AND ALL CLAIMS, DAMAGES, LOSSES, EXPENSES, COSTS AND LIABILITIES (COLLECTIVELY, "CLAIMS") ARISING OUT OF OR IN CONNECTION WITH ANY HANDLING OR USE OF THE EVM THAT IS NOT IN ACCORDANCE WITH THESE TERMS. THIS OBLIGATION SHALL APPLY WHETHER CLAIMS ARISE UNDER STATUTE, REGULATION, OR THE LAW OF TORT, CONTRACT OR ANY OTHER LEGAL THEORY, AND EVEN IF THE EVM FAILS TO PERFORM AS DESCRIBED OR EXPECTED.

8. *Limitations on Damages and Liability:*

8.1 *General Limitations.* IN NO EVENT SHALL TI BE LIABLE FOR ANY SPECIAL, COLLATERAL, INDIRECT, PUNITIVE, INCIDENTAL, CONSEQUENTIAL, OR EXEMPLARY DAMAGES IN CONNECTION WITH OR ARISING OUT OF THESE TERMS OR THE USE OF THE EVMS , REGARDLESS OF WHETHER TI HAS BEEN ADVISED OF THE POSSIBILITY OF SUCH DAMAGES. EXCLUDED DAMAGES INCLUDE, BUT ARE NOT LIMITED TO, COST OF REMOVAL OR REINSTALLATION, ANCILLARY COSTS TO THE PROCUREMENT OF SUBSTITUTE GOODS OR SERVICES, RETESTING, OUTSIDE COMPUTER TIME, LABOR COSTS, LOSS OF GOODWILL, LOSS OF PROFITS, LOSS OF SAVINGS, LOSS OF USE, LOSS OF DATA, OR BUSINESS INTERRUPTION. NO CLAIM, SUIT OR ACTION SHALL BE BROUGHT AGAINST TI MORE THAN TWELVE (12) MONTHS AFTER THE EVENT THAT GAVE RISE TO THE CAUSE OF ACTION HAS OCCURRED.

8.2 *Specific Limitations.* IN NO EVENT SHALL TI'S AGGREGATE LIABILITY FROM ANY USE OF AN EVM PROVIDED HEREUNDER, INCLUDING FROM ANY WARRANTY, INDEMNITY OR OTHER OBLIGATION ARISING OUT OF OR IN CONNECTION WITH THESE TERMS, , EXCEED THE TOTAL AMOUNT PAID TO TI BY USER FOR THE PARTICULAR EVM(S) AT ISSUE DURING THE PRIOR TWELVE (12) MONTHS WITH RESPECT TO WHICH LOSSES OR DAMAGES ARE CLAIMED. THE EXISTENCE OF MORE THAN ONE CLAIM SHALL NOT ENLARGE OR EXTEND THIS LIMIT.

9. *Return Policy.* Except as otherwise provided, TI does not offer any refunds, returns, or exchanges. Furthermore, no return of EVM(s) will be accepted if the package has been opened and no return of the EVM(s) will be accepted if they are damaged or otherwise not in a resalable condition. If User feels it has been incorrectly charged for the EVM(s) it ordered or that delivery violates the applicable order, User should contact TI. All refunds will be made in full within thirty (30) working days from the return of the components(s), excluding any postage or packaging costs.

10. *Governing Law:* These terms and conditions shall be governed by and interpreted in accordance with the laws of the State of Texas, without reference to conflict-of-laws principles. User agrees that non-exclusive jurisdiction for any dispute arising out of or relating to these terms and conditions lies within courts located in the State of Texas and consents to venue in Dallas County, Texas. Notwithstanding the foregoing, any judgment may be enforced in any United States or foreign court, and TI may seek injunctive relief in any United States or foreign court.

Mailing Address: Texas Instruments, Post Office Box 655303, Dallas, Texas 75265  
Copyright © 2023, Texas Instruments Incorporated

## IMPORTANT NOTICE AND DISCLAIMER

TI PROVIDES TECHNICAL AND RELIABILITY DATA (INCLUDING DATASHEETS), DESIGN RESOURCES (INCLUDING REFERENCE DESIGNS), APPLICATION OR OTHER DESIGN ADVICE, WEB TOOLS, SAFETY INFORMATION, AND OTHER RESOURCES "AS IS" AND WITH ALL FAULTS, AND DISCLAIMS ALL WARRANTIES, EXPRESS AND IMPLIED, INCLUDING WITHOUT LIMITATION ANY IMPLIED WARRANTIES OF MERCHANTABILITY, FITNESS FOR A PARTICULAR PURPOSE OR NON-INFRINGEMENT OF THIRD PARTY INTELLECTUAL PROPERTY RIGHTS.

These resources are intended for skilled developers designing with TI products. You are solely responsible for (1) selecting the appropriate TI products for your application, (2) designing, validating and testing your application, and (3) ensuring your application meets applicable standards, and any other safety, security, regulatory or other requirements.

These resources are subject to change without notice. TI grants you permission to use these resources only for development of an application that uses the TI products described in the resource. Other reproduction and display of these resources is prohibited. No license is granted to any other TI intellectual property right or to any third party intellectual property right. TI disclaims responsibility for, and you fully indemnify TI and its representatives against any claims, damages, costs, losses, and liabilities arising out of your use of these resources.

TI's products are provided subject to [TI's Terms of Sale](#), [TI's General Quality Guidelines](#), or other applicable terms available either on [ti.com](http://ti.com) or provided in conjunction with such TI products. TI's provision of these resources does not expand or otherwise alter TI's applicable warranties or warranty disclaimers for TI products. Unless TI explicitly designates a product as custom or customer-specified, TI products are standard, catalog, general purpose devices.

TI objects to and rejects any additional or different terms you may propose.

Copyright © 2026, Texas Instruments Incorporated

Last updated 10/2025