

A

B

C

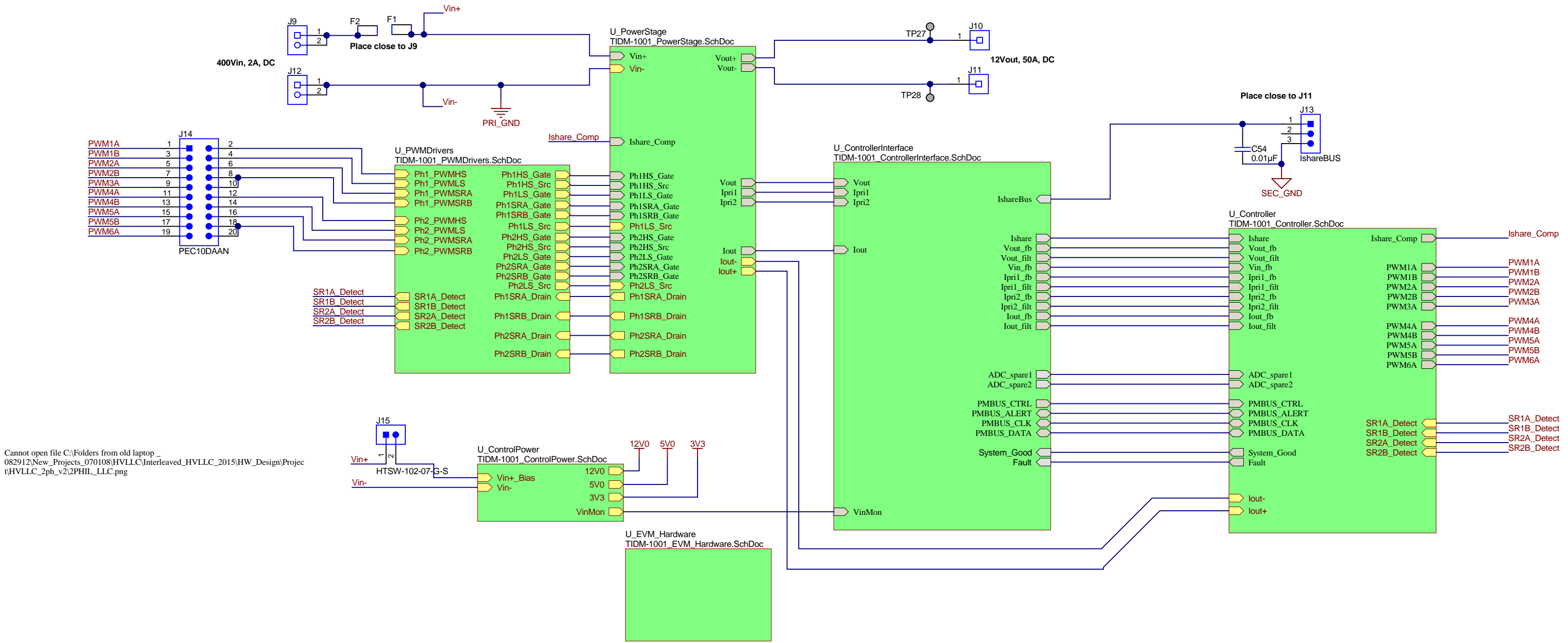
D

A

B

C

D

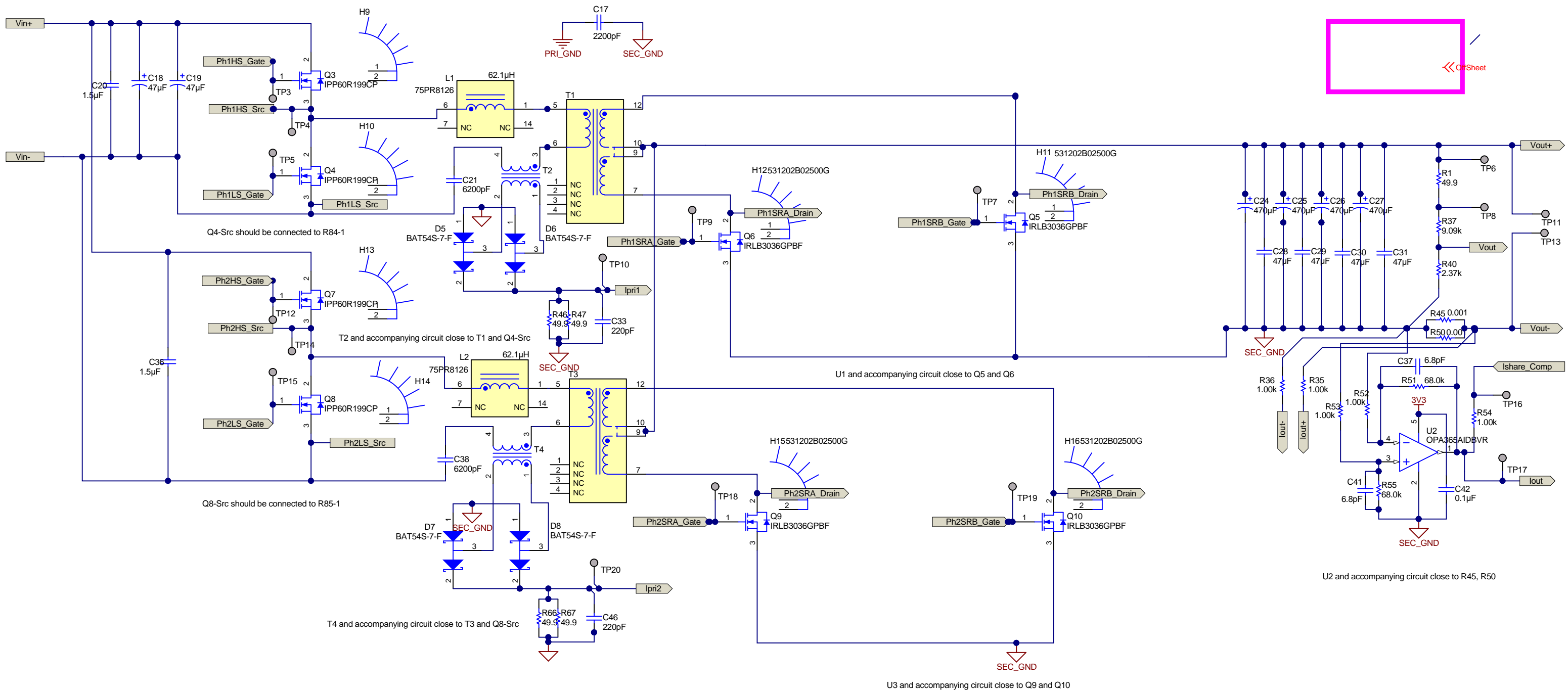


Cannot open file C:\Folders from old laptop _082912\New_Projects_070108\HVLLC\Interleaved_HVLLC_2015\HW_Design\Projec t\HVLLC_2ph_v2\2PHIL_LLC.png

Orderable: ChangeMe!	Designed for: Public Release	Mod. Date: 12/20/2016
TID #: TIDM-1001	Project Title: C2000 Two Phase Interleaved Resonant Converter	
Number: TIDM-1001	Rev: E2	Sheet Title: Cover Page
SVN Rev: Not in version control	Assembly Variant: 001	Sheet: 1 of 7
Drawn By: Hrishi Nene	File: TIDM-1001_CoverSheet.SchDoc	Size: B
Engineer: Hrishi Nene	Contact: http://www.ti.com/support	

Texas Instruments and/or its licensors do not warrant the accuracy or completeness of this specification or any information contained therein. Texas Instruments and/or its licensors do not warrant that this design will meet the specifications, will be suitable for your application or fit for any particular purpose, or will operate in an implementation. Texas Instruments and/or its licensors do not warrant that the design is production worthy. You should completely validate and test your design implementation to confirm the system functionality for your application.

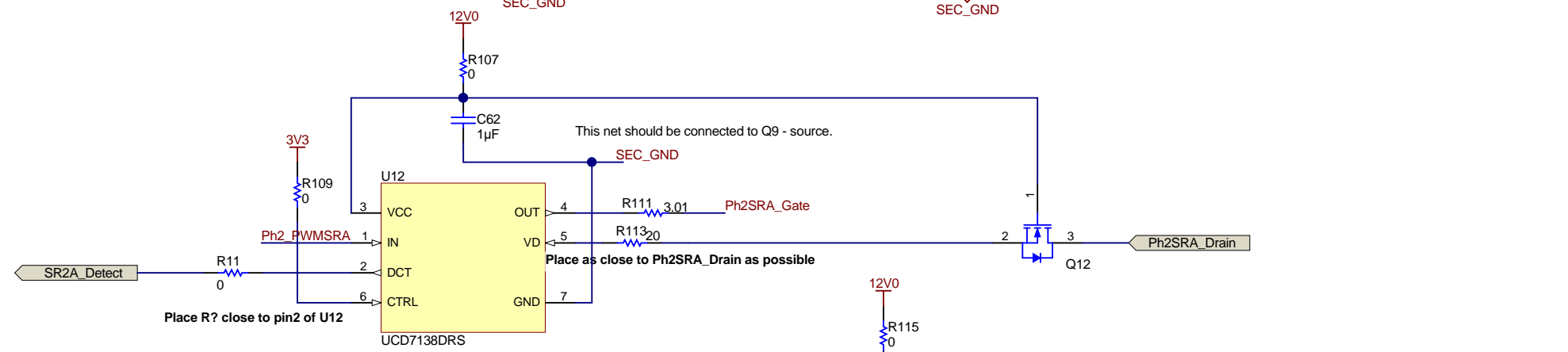
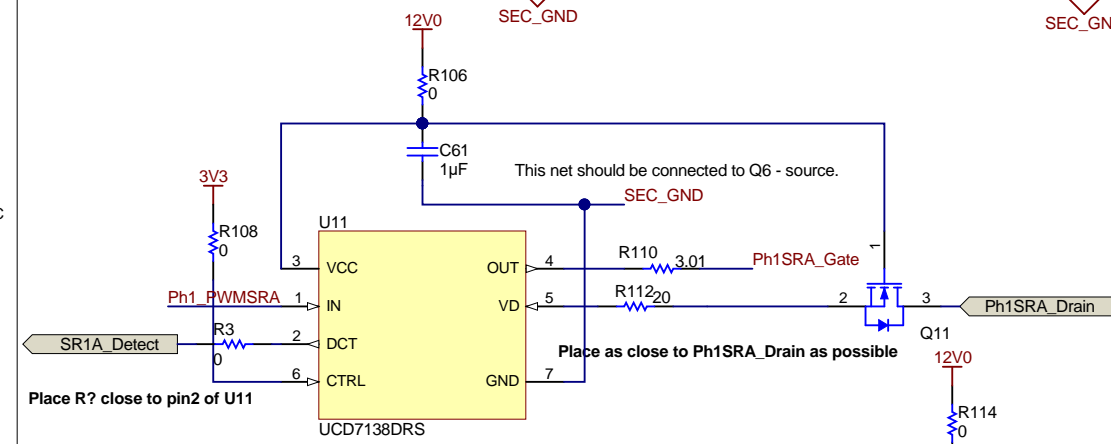
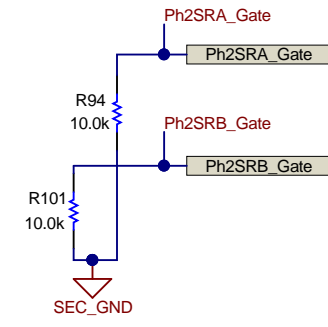
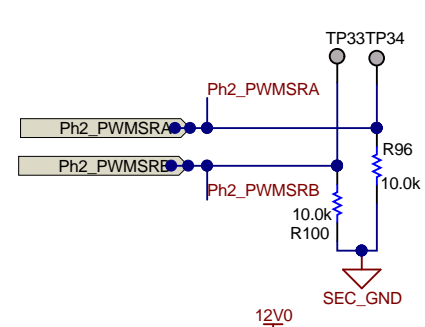
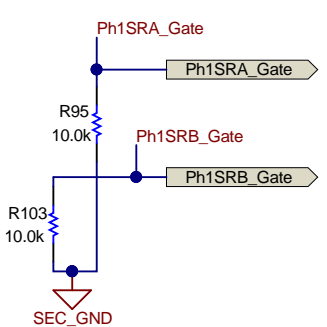
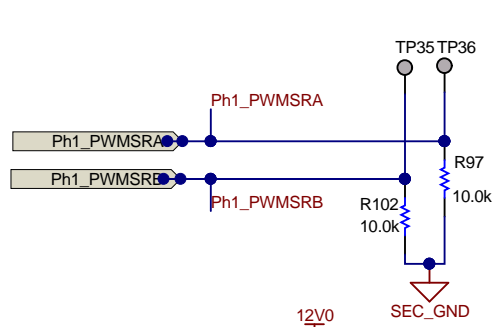
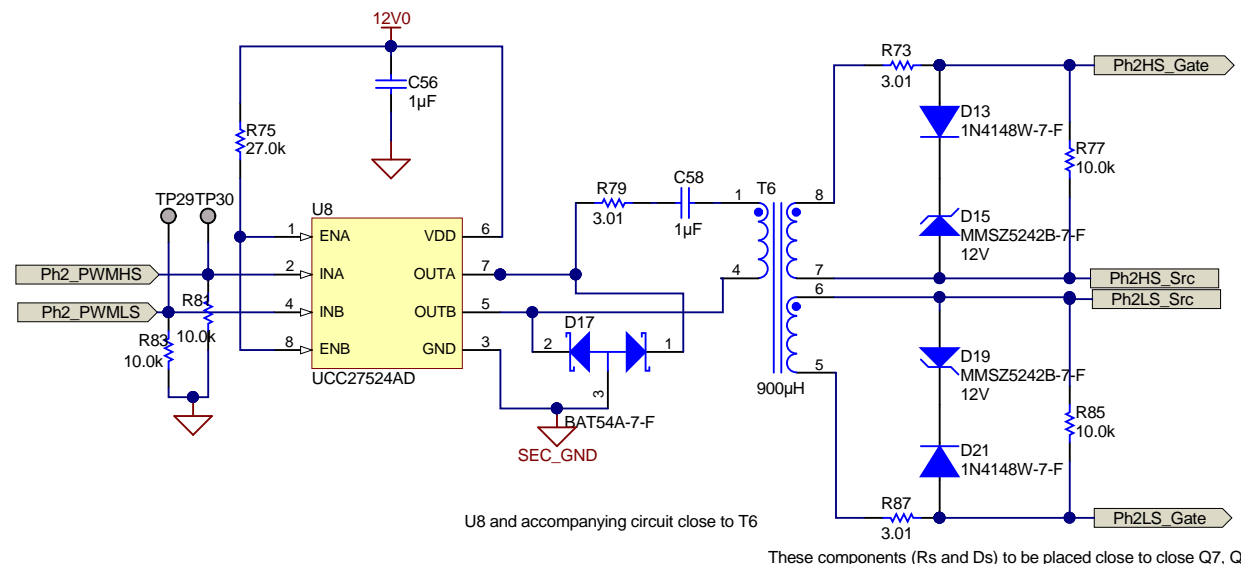
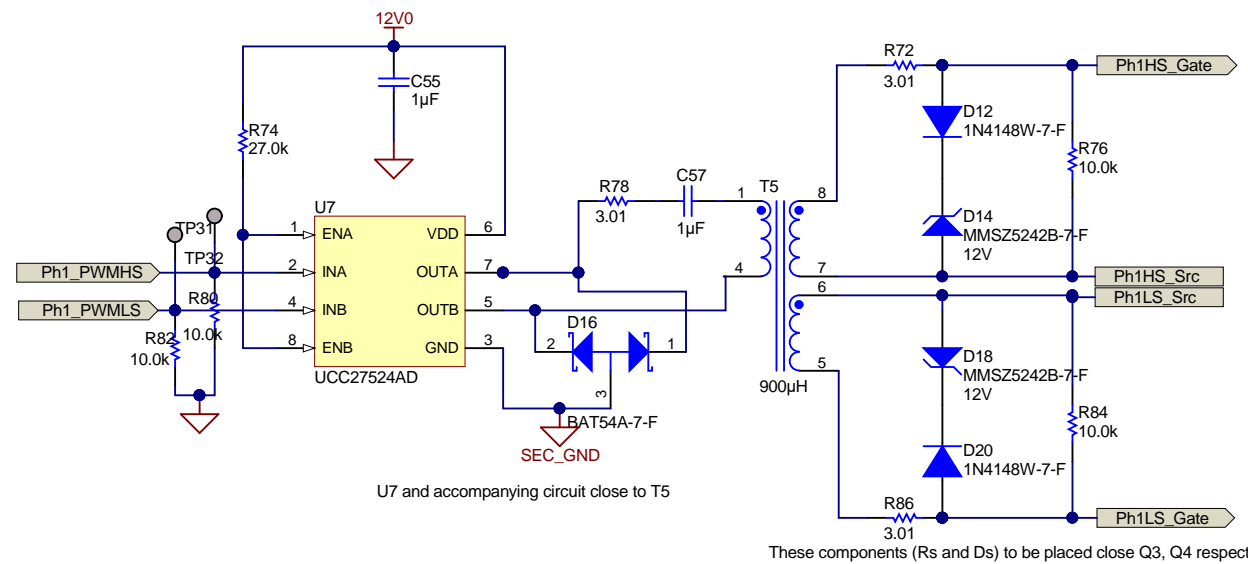




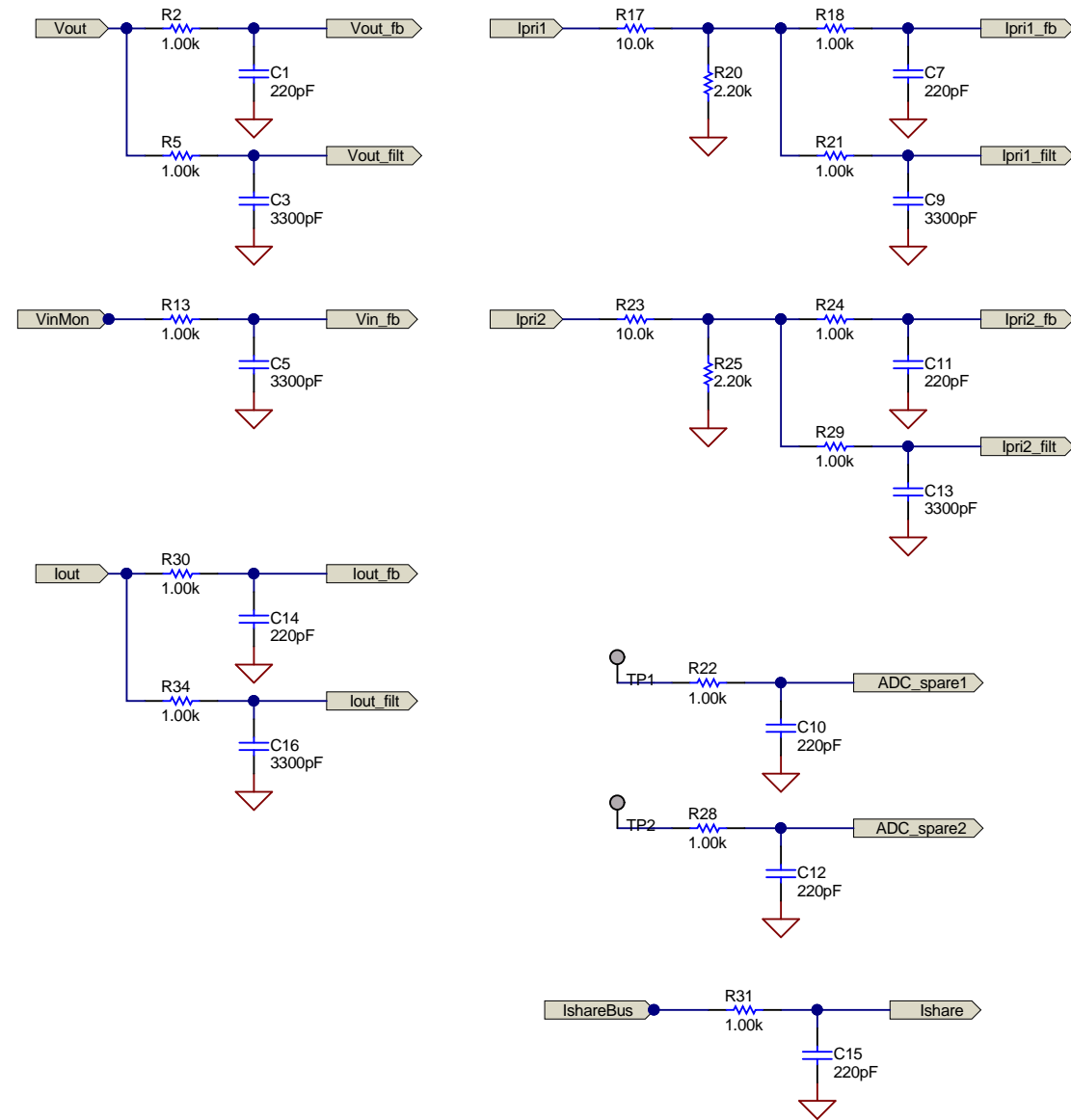
Texas Instruments and/or its licensors do not warrant the accuracy or completeness of this specification or any information contained therein. Texas Instruments and/or its licensors do not warrant that this design will meet the specifications, will be suitable for your application or fit for any particular purpose, or will operate in an implementation. Texas Instruments and/or its licensors do not warrant that the design is production worthy. You should completely validate and test your design implementation to confirm the system functionality for your application.

Orderable: ChangeMe!	Designed for: Public Release	Mod. Date: 4/4/2017
TID #: TIDM-1001	Project Title: C2000 Two Phase Interleaved Resonant Converter	
Number: TIDM-1001	Rev: E2	Sheet Title: Power Stage
SVN Rev: Not in version control	Assembly Variant: 001	Sheet: 2 of 7
Drawn By: Hrish Nene	File: TIDM-1001_PowerStage.SchDoc	Size: B
Engineer: Hrish Nene	Contact: http://www.ti.com/support	

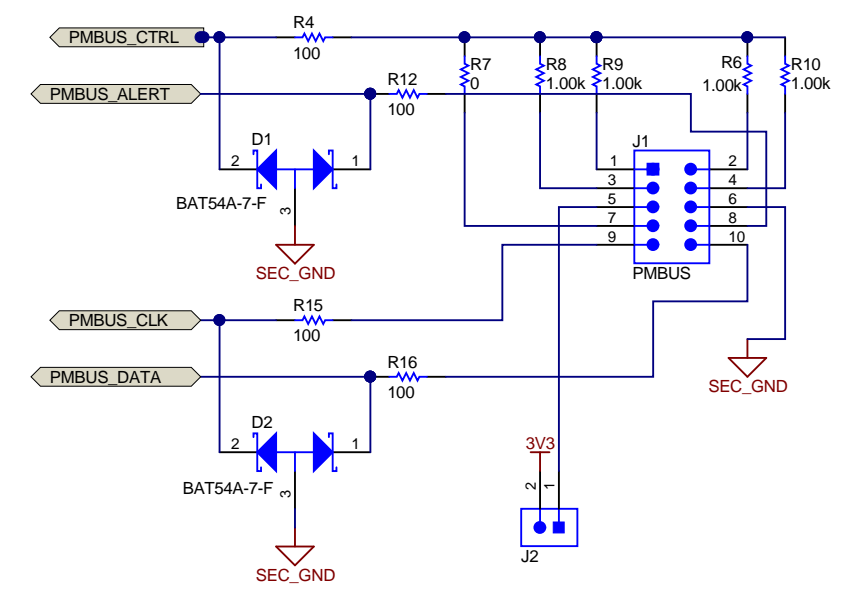




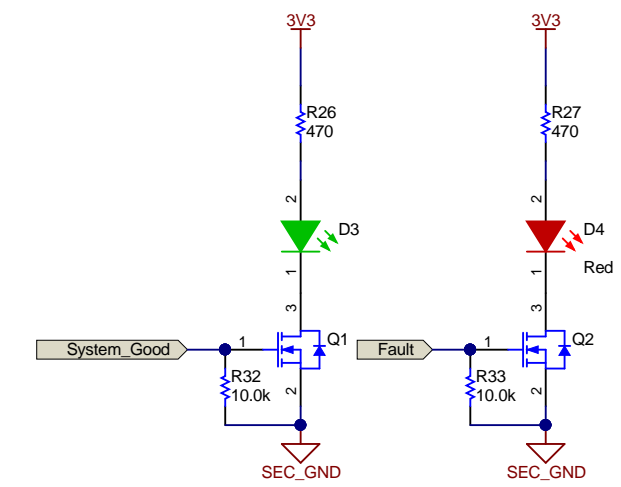
Texas Instruments and/or its licensors do not warrant the accuracy or completeness of this specification or any information contained therein. Texas Instruments and/or its licensors do not warrant that this design will meet the specifications, will be suitable for your application or fit for any particular purpose, or will operate in an implementation. Texas Instruments and/or its licensors do not warrant that the design is production worthy. You should completely validate and test your design implementation to confirm the system functionality for your application.



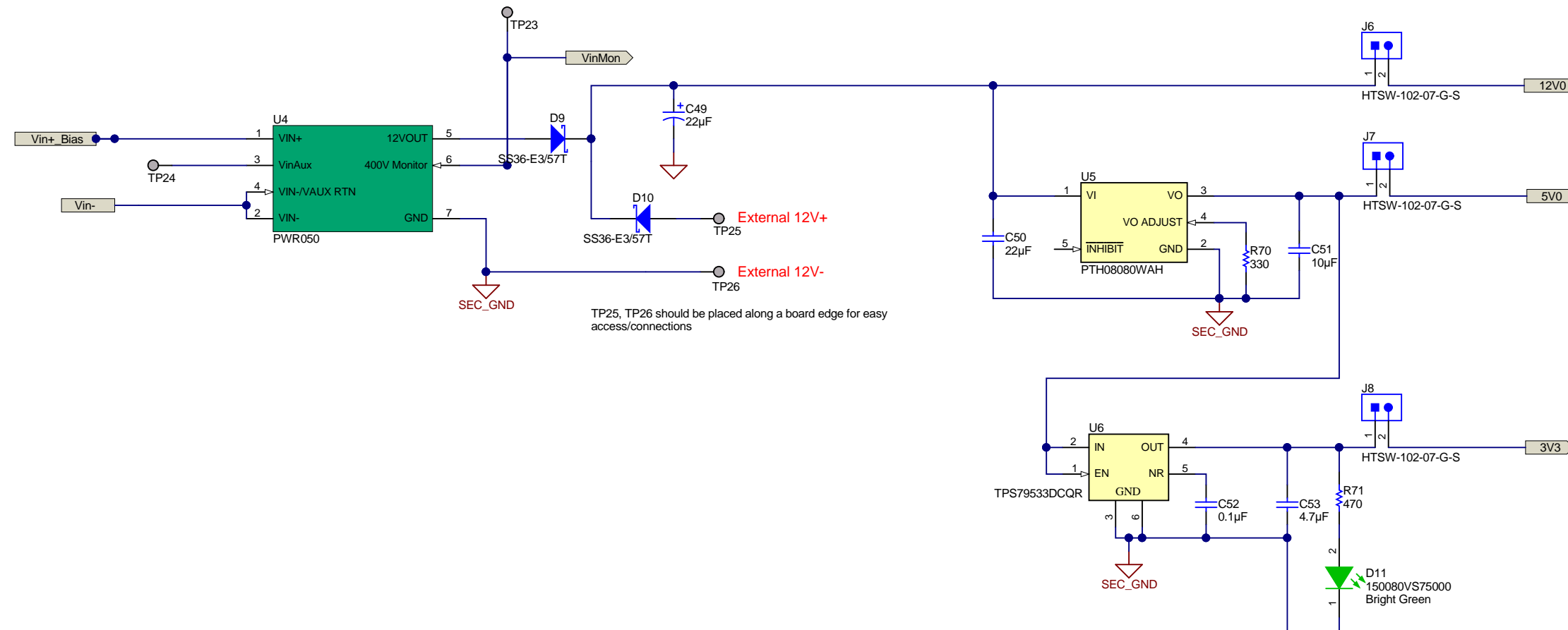
All Rs and Cs on this sheet except PMBUS, System Good and Fault related to be placed as close to J3 as possible



J1 (placed along the board edge) and accompanying PMBUS circuit placed at one end of the board (same side as J11 and in the neighborhood of J3-J4)



Add 'System Good' and 'Fault' silkscreen labels next to D3 and D4 respectively.



Texas Instruments and/or its licensors do not warrant the accuracy or completeness of this specification or any information contained therein. Texas Instruments and/or its licensors do not warrant that this design will meet the specifications, will be suitable for your application or fit for any particular purpose, or will operate in an implementation. Texas Instruments and/or its licensors do not warrant that the design is production worthy. You should completely validate and test your design implementation to confirm the system functionality for your application.

Orderable: ChangeMe!	Designed for: Public Release	Mod. Date: 2/24/2017
TID #: TIDM-1001	Project Title: C2000 Two Phase Interleaved Resonant Converter	
Number: TIDM-1001	Rev: E2	Sheet Title: Control Power
SVN Rev: Not in version control	Assembly Variant: 001	Sheet: 5 of 7
Drawn By: Hrishi Nene	File: TIDM-1001_ControlPower.SchDoc	Size: B
Engineer: Hrishi Nene	Contact: http://www.ti.com/support	

A

B

C

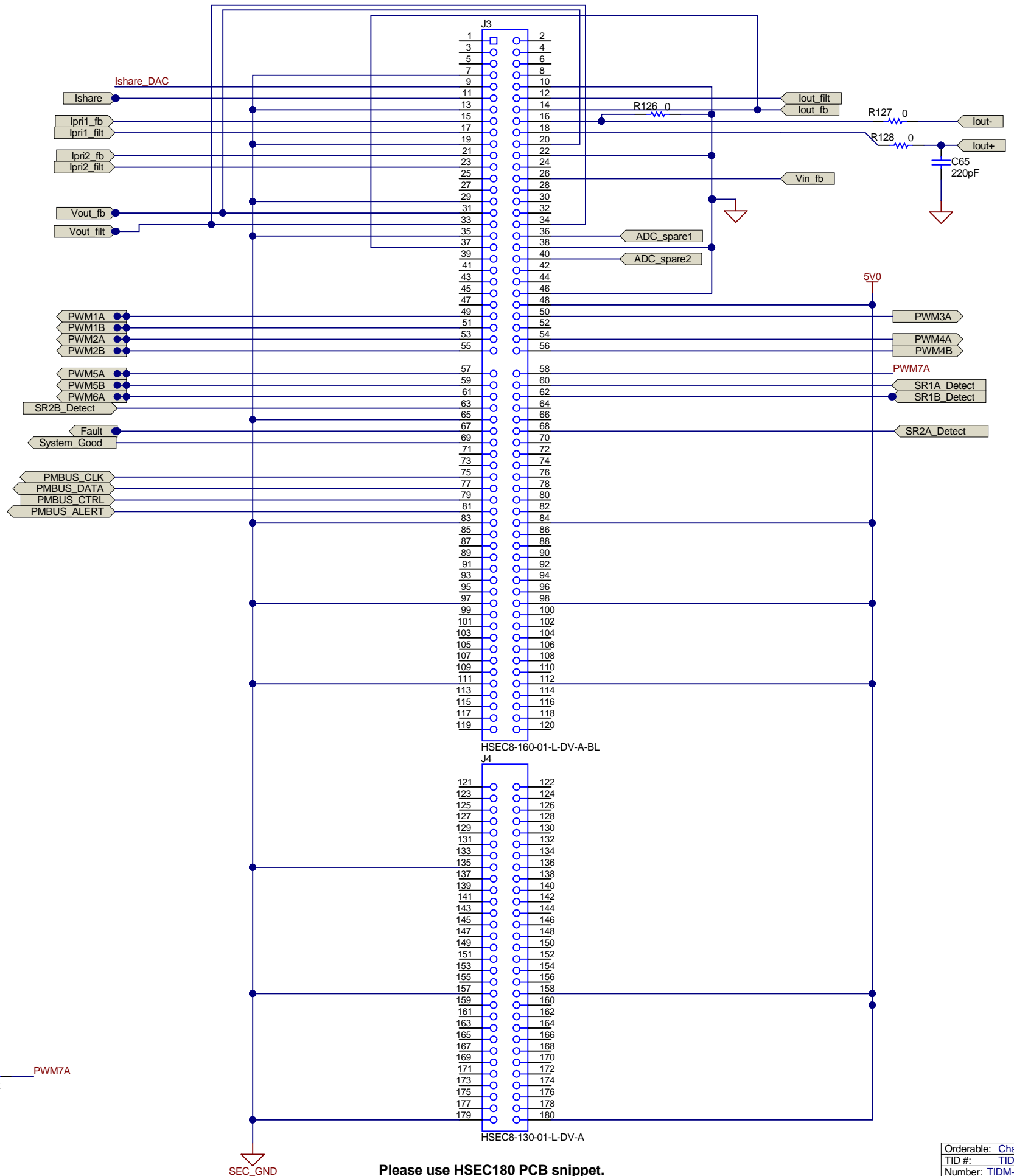
D

A

B

C

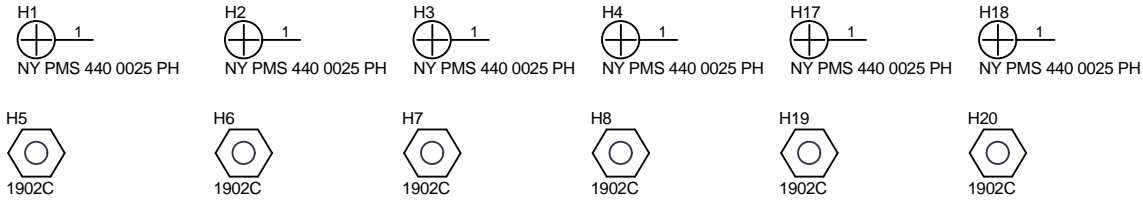
D



Please use HSEC180 PCB snippet.
 Texas Instruments and/or its licensors do not warrant the accuracy or completeness of this specification or any information contained therein. Texas Instruments and/or its licensors do not warrant that this design will meet the specifications, will be suitable for your application or fit for any particular purpose, or will operate in an implementation. Texas Instruments and/or its licensors do not warrant that the design is production worthy. You should completely validate and test your design implementation to confirm the system functionality for your application.

Orderable: ChangeMe!	Designed for: Public Release	Mod. Date: 1/29/2020
TID #: TIDM-1001	Project Title: C2000 Two Phase Interleaved Resonant Converter	
Number: TIDM-1001	Rev: E2	Sheet Title: Controller
SVN Rev: Not in version control	Assembly Variant: 001	Sheet: 6 of 7
Drawn By: Hrishi Nene	File: TIDM-1001_Controller.SchDoc	Size: B
Engineer: Hrishi Nene	Contact: http://www.ti.com/support	





PCB Number: TIDM-1001
 PCB Rev: E2

PCB LOGO
 Pb-Free Symbol
 PCB LOGO
 FCC disclaimer



Label Table	
Variant	Label Text
001	ChangeMe!
002	ChangeMe!

LBL1
PCB Label
 Size: 0.65" x 0.20"

ZZ1
Label Assembly Note
 This Assembly Note is for PCB labels only

ZZ2
Assembly Note
 These assemblies are ESD sensitive, ESD precautions shall be observed.

ZZ3
Assembly Note
 These assemblies must be clean and free from flux and all contaminants. Use of no clean flux is not acceptable.

ZZ4
Assembly Note
 These assemblies must comply with workmanship standards IPC-A-610 Class 2, unless otherwise specified.

Texas Instruments and/or its licensors do not warrant the accuracy or completeness of this specification or any information contained therein. Texas Instruments and/or its licensors do not warrant that this design will meet the specifications, will be suitable for your application or fit for any particular purpose, or will operate in an implementation. Texas Instruments and/or its licensors do not warrant that the design is production worthy. You should completely validate and test your design implementation to confirm the system functionality for your application.

Orderable: ChangeMe!	Designed for: Public Release	Mod. Date: 2/24/2017
TID #: TIDM-1001	Project Title: C2000 Two Phase Interleaved Resonant Converter	
Number: TIDM-1001	Rev: E2	Sheet Title: EVM Hardware
SVN Rev: Not in version control	Assembly Variant: 001	Sheet: 7 of 7
Drawn By: Hrishi Nene	File: TIDM-1001_EVM_Hardware.SchDoc	Size: B
Engineer: Hrishi Nene	Contact: http://www.ti.com/support	

IMPORTANT NOTICE AND DISCLAIMER

TI PROVIDES TECHNICAL AND RELIABILITY DATA (INCLUDING DATASHEETS), DESIGN RESOURCES (INCLUDING REFERENCE DESIGNS), APPLICATION OR OTHER DESIGN ADVICE, WEB TOOLS, SAFETY INFORMATION, AND OTHER RESOURCES "AS IS" AND WITH ALL FAULTS, AND DISCLAIMS ALL WARRANTIES, EXPRESS AND IMPLIED, INCLUDING WITHOUT LIMITATION ANY IMPLIED WARRANTIES OF MERCHANTABILITY, FITNESS FOR A PARTICULAR PURPOSE OR NON-INFRINGEMENT OF THIRD PARTY INTELLECTUAL PROPERTY RIGHTS.

These resources are intended for skilled developers designing with TI products. You are solely responsible for (1) selecting the appropriate TI products for your application, (2) designing, validating and testing your application, and (3) ensuring your application meets applicable standards, and any other safety, security, or other requirements. These resources are subject to change without notice. TI grants you permission to use these resources only for development of an application that uses the TI products described in the resource. Other reproduction and display of these resources is prohibited. No license is granted to any other TI intellectual property right or to any third party intellectual property right. TI disclaims responsibility for, and you will fully indemnify TI and its representatives against, any claims, damages, costs, losses, and liabilities arising out of your use of these resources.

TI's products are provided subject to TI's Terms of Sale (www.ti.com/legal/termsofsale.html) or other applicable terms available either on ti.com or provided in conjunction with such TI products. TI's provision of these resources does not expand or otherwise alter TI's applicable warranties or warranty disclaimers for TI products.

Mailing Address: Texas Instruments, Post Office Box 655303, Dallas, Texas 75265
Copyright © 2020, Texas Instruments Incorporated