

# ***Mounting Hardware and Quick Reference Guide for DLP® Advanced Light Control Digital Micromirror Devices***

---

---

---

## **ABSTRACT**

This Application Note is a reference guide for the Mounting Hardware of DLP® Advanced Light Control (ALC) digital micromirror devices (DMD) currently on [www.ti.com/alc](http://www.ti.com/alc).

This guide briefly describes the DMD mounting hardware, including figures and tables for each DLP® DMD. The figures show mounting concepts with their associated DMD mounting hardware parts. The tables list the individual mounting hardware parts, weblinks to the supplier's ordering page (if applicable), and weblink to the dedicated "System Mounting Concepts" Application Report. This Quick Reference Guide comprehensively addresses the DMD Specifications and System Mounting Concepts and includes important application design considerations.

---

**NOTE:** Each DLP® DMD has unique mounting hardware. Some parts are available for purchase from distributors and manufacturers with Minimum Order Quantities (MOQ). Some of them may be in stock and available for immediate delivery, or may require several weeks of lead time. Some parts may not be listed on a manufacturer's web page hence the manufacturer should be contacted directly. Other parts require a custom design that meets a customer's specific product requirements. CAD information provided by TI is available to begin the design of these custom machined parts.

A common obstacle that delays development schedules is the availability of all parts. Customers are encouraged to communicate with their suppliers and mechanical shop in order to mitigate schedule surprises for the production of prototypes and final products.

---

### Contents

1	DLP2010FQJ, DLP2010NIRFQJ - DLP® 0.2 WVGA DMD - Series-244 .....	3
2	DLP3000FQB - DLP® 0.3 WVGA DMD – Series-220 .....	4
3	DLP4500FQE, DLP4500NIRFQE - DLP® 0.45 WXGA DMD – Series-241 .....	5
4	DLP4500FQD, DLP4500NIRFQD - DLP® 0.45 WXGA DMD – Series-310 .....	6
5	DLP5500BFYA - DLP® 0.55 XGA DMD – Series-450.....	7
6	DLP650LNIRFYL - DLP® 0.65 WXGA DMD – Series-450 .....	8
7	DLP6500FLQ - DLP® 0.65 1080p Type-A DMD .....	9
8	DLP6500FYE - DLP® 0.65 1080p Series-600 DMD .....	10
9	DLP7000FLP, DLP7000BFLP, DLP7000UVFLP - DLP® 0.7 XGA Ceramic (UV) Type-A DMD .....	11
10	DLP9000FLS, DLP9000XFLS - DLP® 0.9 WQXGA Type-A DMD .....	12
11	DLP9500FLN, DLP9500BFLN, DLP9500UVFLN - DLP® 0.95 (UV) 1080p Type-A DMD .....	13
12	Glossary .....	14

### List of Figures

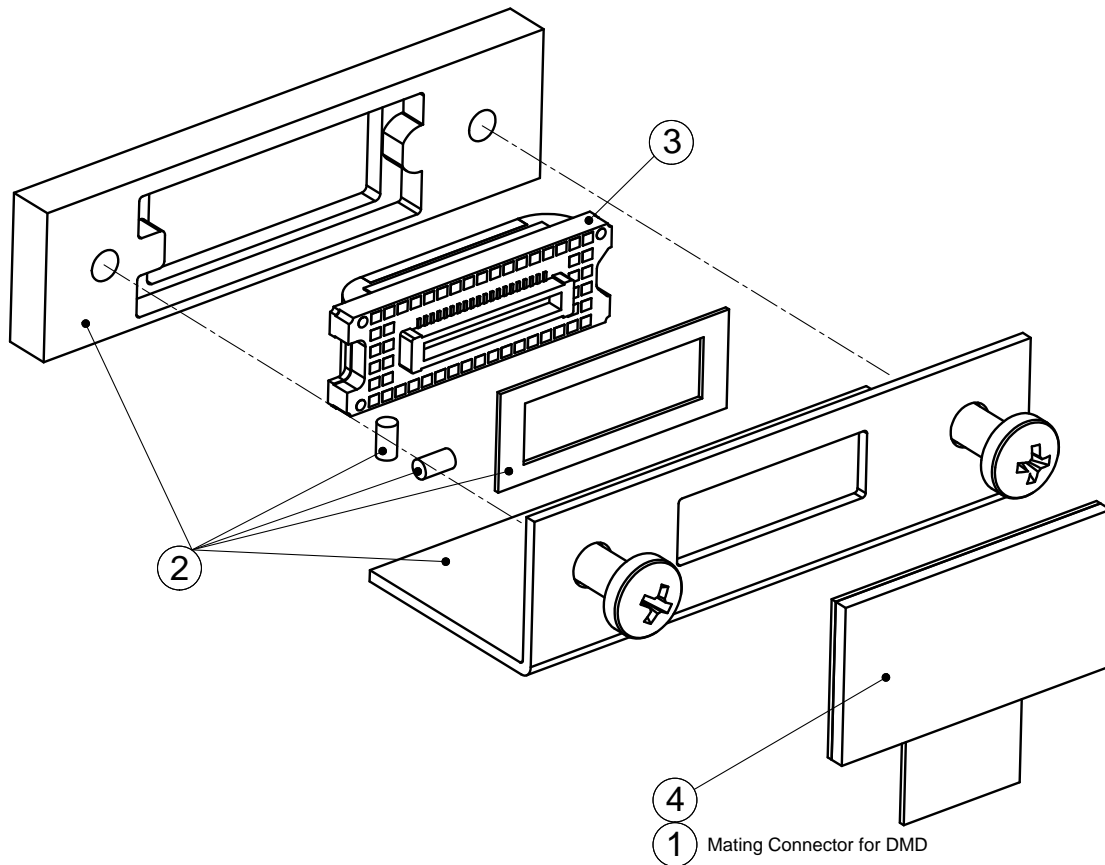
1	Exploded View of Mounting Concept for Series-244.....	3
2	Exploded View of Mounting Concept for Series-220.....	4
3	Exploded View of Mounting Concept for Series-241.....	5
4	Exploded View of Mounting Concept for Series-310.....	6
5	Exploded View of Mounting Concept for Series-450.....	7
6	Exploded View of Mounting Concept for Series-450.....	8
7	Exploded View of Mounting Concept for .7” Size Ceramic Type-A .....	9
8	Exploded View of Mounting Concept for Series-600 .....	10
9	Exploded View of Mounting Concept for .7” Size Ceramic Type-A.....	11
10	Exploded View of Mounting Concept for .9” Size Ceramic Type-A.....	12
11	Exploded View of Mounting Concept for .9” Size Ceramic Type-A.....	13

### Trademarks

DLP is a registered trademark of Texas Instruments.  
All other trademarks are the property of their respective owners.

**1 DLP2010FQJ, DLP2010NIRFQJ - DLP® 0.2 WVGA DMD - Series-244**

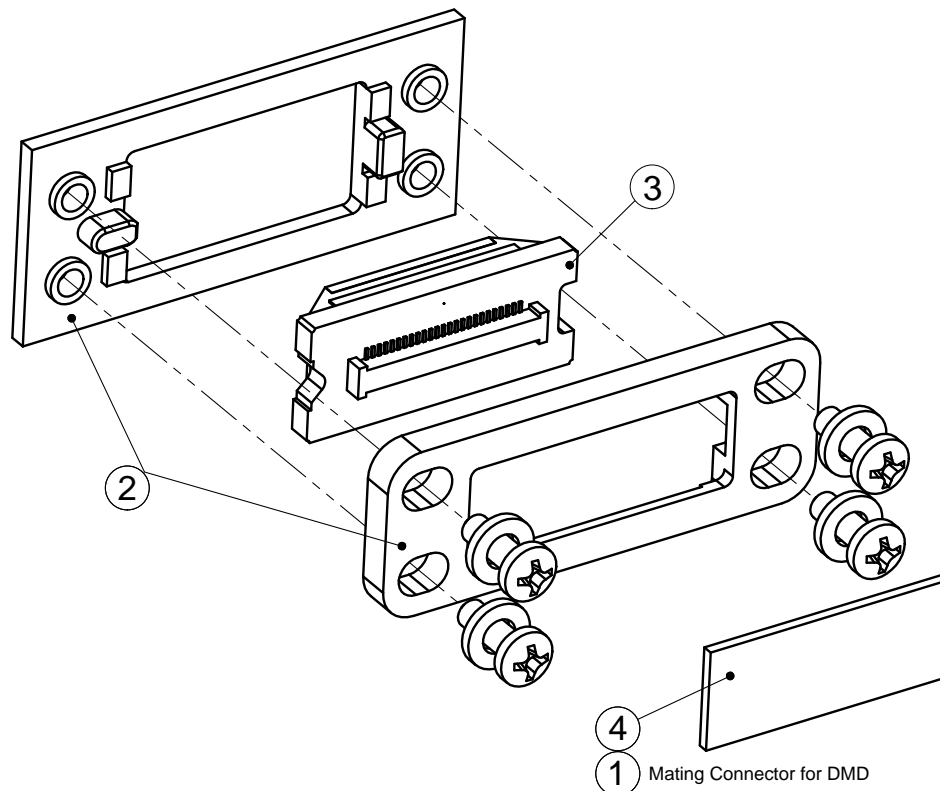
Group of Parts	Mounting Hardware Description	Manufacturer, Part Number, and Additional Information	Contact Information
1	Board-to-Board Mating Connector	Series-244 40 contact connector, 0.4 mm pitch, 1.0 mm mated height PANASONIC AXT540124 or AXT540124DD1.	<a href="#">Panasonic</a>
2	Optical Interface and Related Hardware	<a href="#">Figure 1</a> shows a mounting concept with numbers for each group of parts. Please work with your mechanical shop on the custom design that meets your specific requirements, and to find MOQ and Leadtimes.	
3	DMD	Application Report: <a href="#">DLP® Series-244 DMD and System Mounting Concepts Mechanical and Thermal Application Report</a> .	
4	FFC, FPC or PCB	Design file <a href="#">example</a> . Please work with your PCB shop on your custom design.	



**Figure 1. Exploded View of Mounting Concept for Series-244**

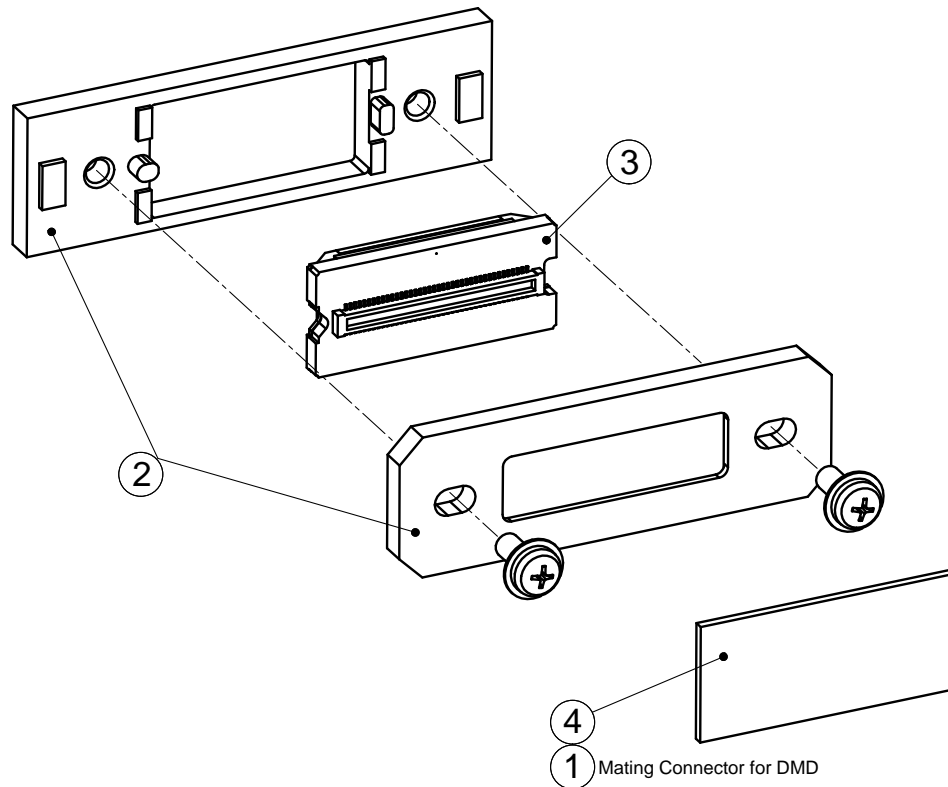
**2 DLP3000FQB - DLP® 0.3 WVGA DMD – Series-220**

Group of Parts	Mounting Hardware Description	Manufacturer, Part Number, and Additional Information	Contact Information
1	Board-to-Board Mating Connector	Series-220 50 contact connector, 0.4 mm pitch, 1.2 mm mated height PANASONIC AXT550224 or AXT550224DD1.	<a href="#">Panasonic</a>
2	Optical Interface and Related Hardware	<a href="#">Figure 2</a> shows a mounting concept with numbers for each group of parts. Please work with your mechanical shop on the custom design that meets your specific requirements, and to find MOQ and Leadtimes.	
3	DMD	Application Report: <a href="#">DLP® Series-220 DMD and System Mounting Concepts</a> .	
4	FFC, FPC or PCB	Design file <a href="#">example</a> . Please work with your PCB shop on your custom design.	


**Figure 2. Exploded View of Mounting Concept for Series-220**

**3 DLP4500FQE, DLP4500NIRFQE - DLP® 0.45 WXGA DMD – Series-241**

Group of Parts	Mounting Hardware Description	Manufacturer, Part Number, and Additional Information	Contact Information
1	Board-to-Board Mating Connector	Series-241 80 contact connector, 0.4 mm pitch, 1.0 mated height PANASONIC AXT580124 or AXT580124DD1.	<a href="#">Panasonic</a>
2	Optical Interface and Related Hardware	<a href="#">Figure 3</a> shows a mounting concept with numbers for each group of parts. Please work with your mechanical shop on the custom design that meets your specific requirements, and to find MOQ and Leadtimes.	
3	DMD	Application Report: <a href="#">DLP® Series-241 DMD and System Mounting Concepts</a> .	
4	FFC, FPC or PCB	Design file <a href="#">example</a> . Please work with your PCB shop on your custom design.	



**Figure 3. Exploded View of Mounting Concept for Series-241**

#### 4 DLP4500FQD, DLP4500NIRFQD - DLP® 0.45 WXGA DMD – Series-310

Group of Parts	Mounting Hardware Description	Manufacturer, Part Number, and Additional Information	Contact Information
1	Board-to-Board Mating Connector	Two 40 contact interposers are required, 0.7424 mm pitch LGA Neoconix Part Number: FBX0040CMFF6AU00.	<a href="http://www.neoconix.com/lloyd@neoconix.com">http://www.neoconix.com/lloyd@neoconix.com</a>
2	Optical Interface and Related Hardware	Figure 4 shows a mounting concept with numbers for each group of parts. Please work with your mechanical shop on the custom design that meets your specific requirements, and to find MOQ and Leadtimes.	
3	DMD	Application Report: <a href="#">DLP® Series-310 DMD and System Mounting Concepts</a> .	
4	FFC, FPC or PCB	Please work with your PCB shop on your custom design.	

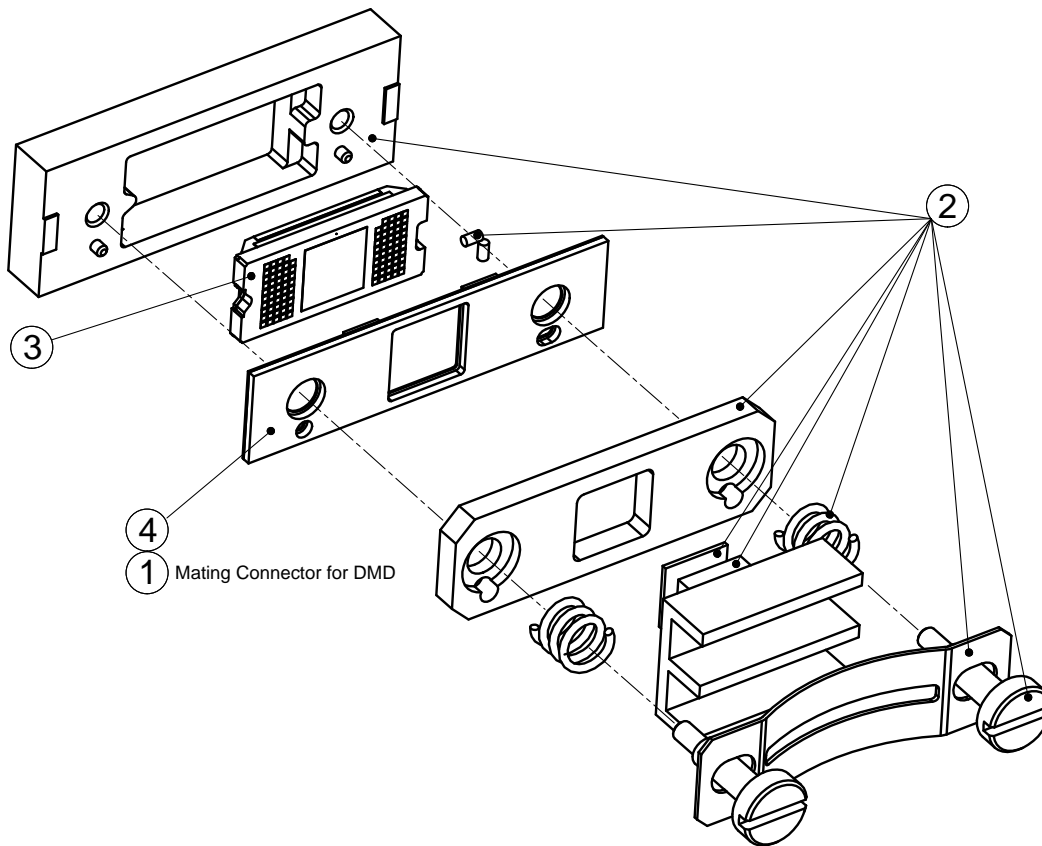
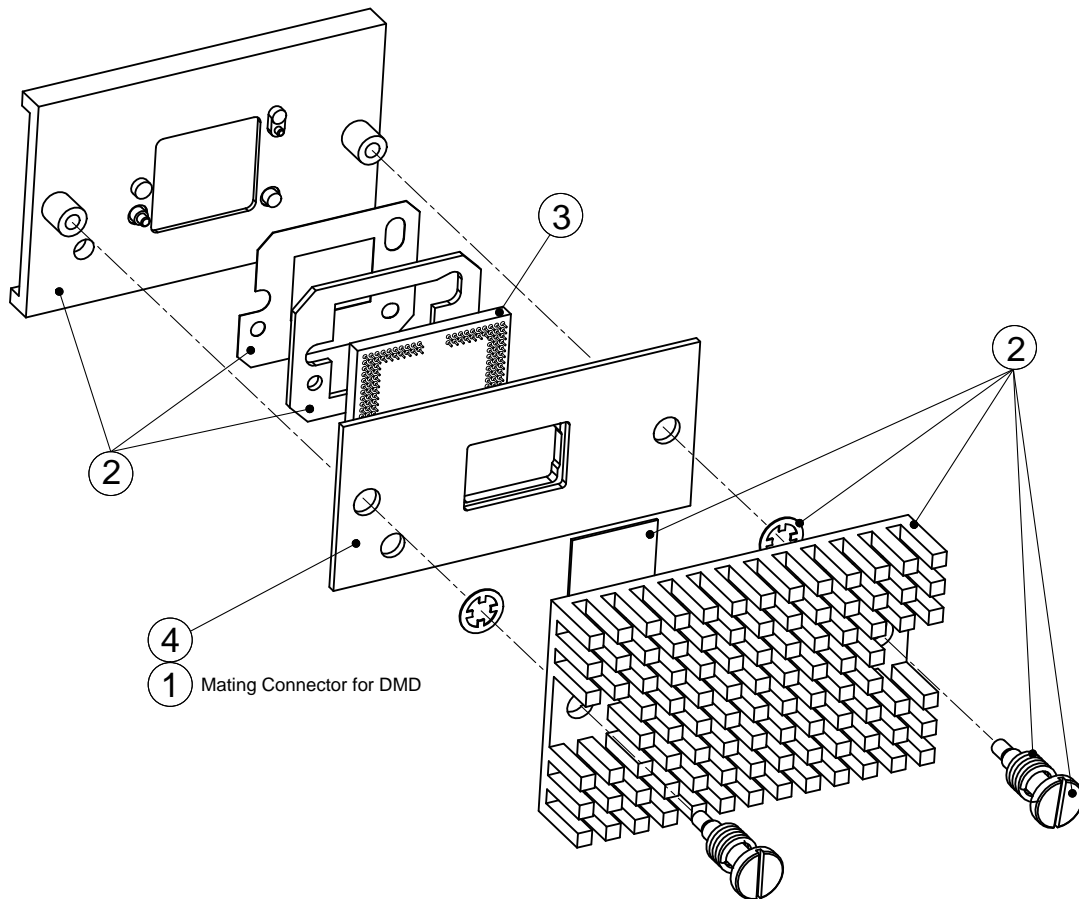


Figure 4. Exploded View of Mounting Concept for Series-310

## 5 DLP5500BFYA - DLP® 0.55 XGA DMD – Series-450

Group of Parts	Mounting Hardware Description <sup>(1)</sup>	Manufacturer, Part Number, and Additional Information	Contact Information
1	ZIF Style Socket Mating Connector	149 contact micro-PGA socket, 1.27 mm pitch Foxconn PL14927-1541-01F	<a href="http://www.fit-foxconn.com/mick.mulcuck@fit-foxconn.com">http://www.fit-foxconn.com/mick.mulcuck@fit-foxconn.com</a>
	LIF Style Socket Mating Connector	149 contact micro-PGA socket, 1.27 mm pitch Foxconn PL14927-1542-01F  Amphenol 9735-002	<a href="http://www.fit-foxconn.com/mick.mulcuck@fit-foxconn.com">http://www.fit-foxconn.com/mick.mulcuck@fit-foxconn.com</a>  <a href="http://www.interconsystems.com/jwalden@interconsystems.com">http://www.interconsystems.com/jwalden@interconsystems.com</a>
2	Optical Interface and Related Hardware	Figure 5 shows a mounting concept with numbers for each group of parts. Please work with your mechanical shop on the custom design that meets your specific requirements, and to find MOQ and Leadtimes.	
3	DMD	Application Report: <a href="#">DLP® Series-450 DMD and System Mounting Concepts</a> .	
4	FFC, FPC or PCB	Please work with your PCB shop on your custom design.	

<sup>(1)</sup> NOTE: Customer should choose the appropriate (LIF or ZIF) socket for their design, based on the minimum expected number of insertions.

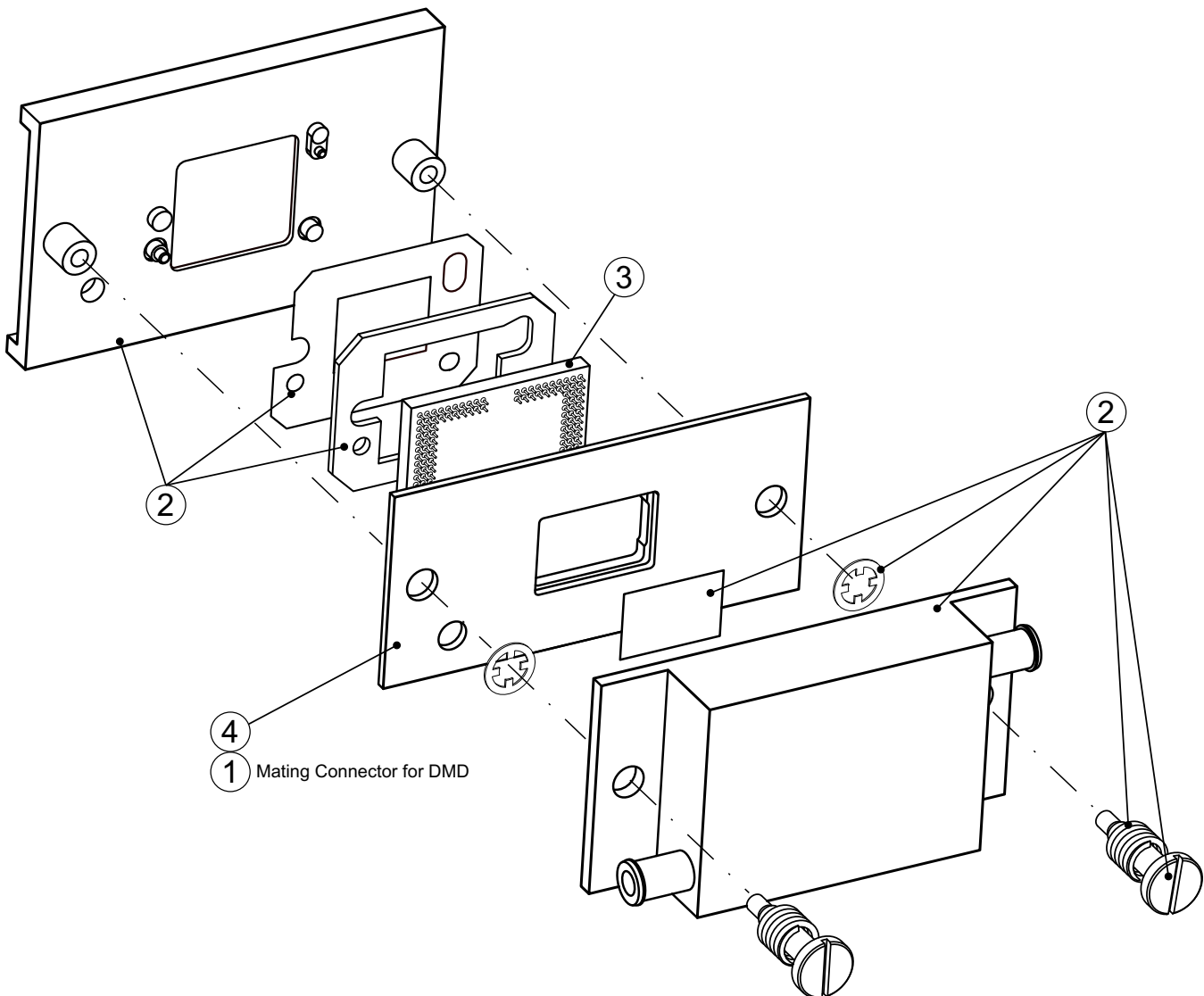


**Figure 5. Exploded View of Mounting Concept for Series-450**

**6 DLP650LNIRFYL - DLP® 0.65 WXGA DMD – Series-450**

Group of Parts	Mounting Hardware Description <sup>(1)</sup>	Manufacturer, Part Number, and Additional Information	Contact Information
1	ZIF Style Socket Mating Connector	149 contact micro-PGA socket, 1.27 mm pitch Foxconn PL14927-1541-01F	<a href="http://www.fit-foxconn.com/mick.mulcuck@fit-foxconn.com">http://www.fit-foxconn.com/mick.mulcuck@fit-foxconn.com</a>
	LIF Style Socket Mating Connector	149 contact micro-PGA socket, 1.27 mm pitch Foxconn PL14927-1542-01F  Amphenol 9735-002	<a href="http://www.fit-foxconn.com/mick.mulcuck@fit-foxconn.com">http://www.fit-foxconn.com/mick.mulcuck@fit-foxconn.com</a>  <a href="http://www.interconsystems.com/jwalden@interconsystems.com">http://www.interconsystems.com/jwalden@interconsystems.com</a>
2	Optical Interface and Related Hardware	Figure 6 shows a mounting concept with numbers for each group of parts. Please work with your mechanical shop on the custom design that meets your specific requirements, and to find MOQ and Leadtimes.	
3	DMD	Application Report: <a href="#">DLP® Series-450 DMD and System Mounting Concepts</a> .	
4	FFC, FPC or PCB	Please work with your PCB shop on your custom design.	

<sup>(1)</sup> NOTE: Customer should choose the appropriate (LIF or ZIF) socket for their design, based on the minimum expected number of insertions.

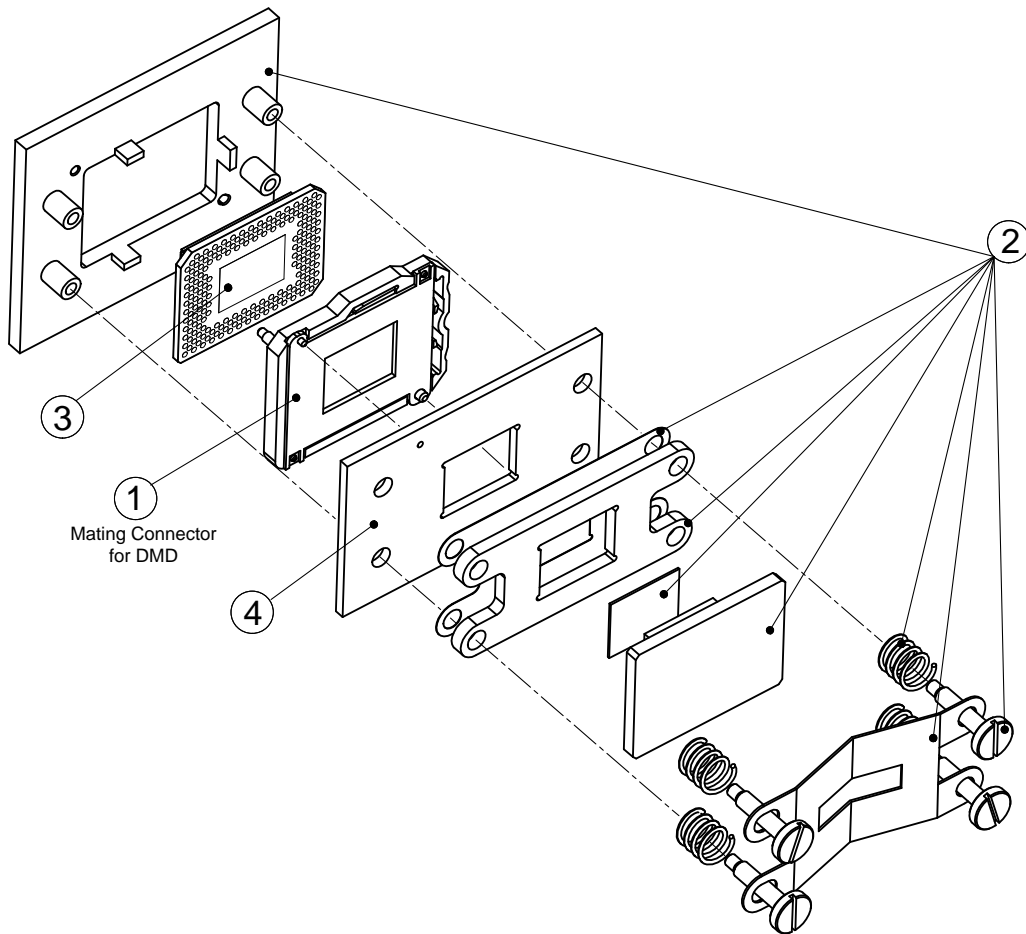


**Figure 6. Exploded View of Mounting Concept for Series-450**



**7 DLP6500FLQ - DLP® 0.65 1080p Type-A DMD**

Group of Parts	Mounting Hardware Description	Manufacturer, Part Number, and Additional Information	Contact Information
1	Interposer Assembly & Contact Housing Mating Connector	Amphenol 7500-103 (203 contacts)	<a href="http://www.interconsystems.com/jwalden@interconsystems.com">http://www.interconsystems.com/jwalden@interconsystems.com</a>
2	Optical Interface and Related Hardware	Figure 7 shows a mounting concept with numbers for each group of parts. Please work with your mechanical shop on the custom design that meets your specific requirements, and to find MOQ and Leadtimes.	
3	DMD	<a href="#">System Mounting Concepts for the DLP® Type-A DMD.</a>	
4	FFC, FPC or PCB	Please work with your PCB shop on your custom design.	



**Figure 7. Exploded View of Mounting Concept for .7" Size Ceramic Type-A**

## 8 DLP6500FYE - DLP® 0.65 1080p Series-600 DMD

Group of Parts	Mounting Hardware Description	Manufacturer, Part Number, and Additional Information	Contact Information
1	ZIF Style Socket Mating Connector	Series-600 350 contact micro-PGA socket, 1.27 mm pitch Foxconn PZ35021-2641-01H (ZIF-Style)	<a href="http://www.fit-foxconn.com/mick.mulcuck@fit-foxconn.com">http://www.fit-foxconn.com/mick.mulcuck@fit-foxconn.com</a>
2	Optical Interface and Related Hardware	DLP6500FYE - DLP® 0.65 1080p Series-600 DMD shows a mounting concept with numbers for each group of parts. Please work with your mechanical shop on the custom design that meets your specific requirements, and to find MOQ and Leadtimes.	
3	DMD	Application Report: <a href="#">DLP® Series-600 DMD Mechanical, Thermal, and Systems Mounting Concepts</a> .	
4	FFC, FPCor PCB	Design file <a href="#">example</a> . Please work with your PCB shop on your custom design.	

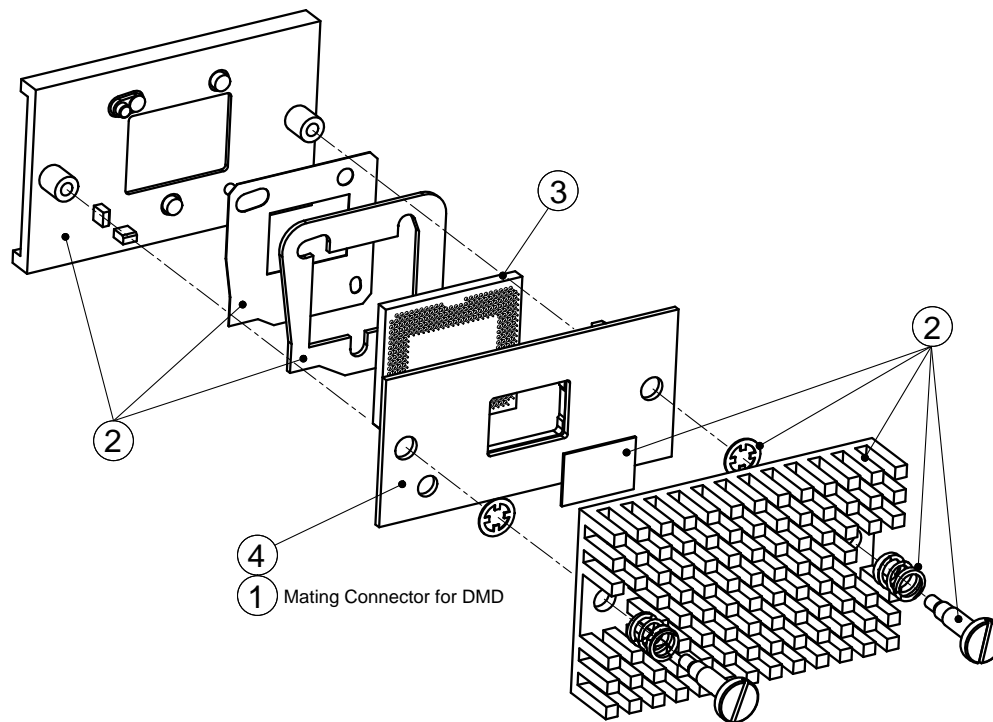
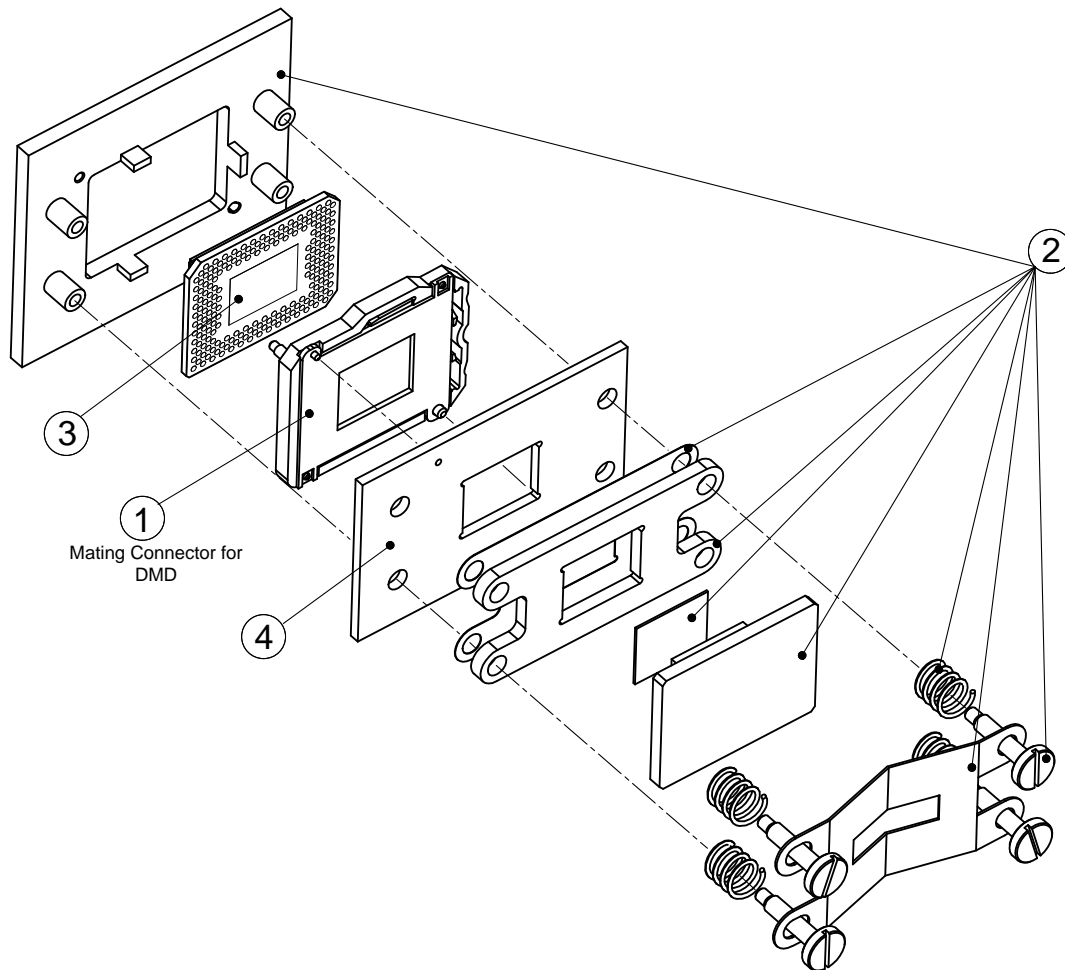


Figure 8. Exploded View of Mounting Concept for Series-600

**9 DLP7000FLP, DLP7000BFLP, DLP7000UVFLP - DLP® 0.7 XGA Ceramic (UV) Type-A DMD**

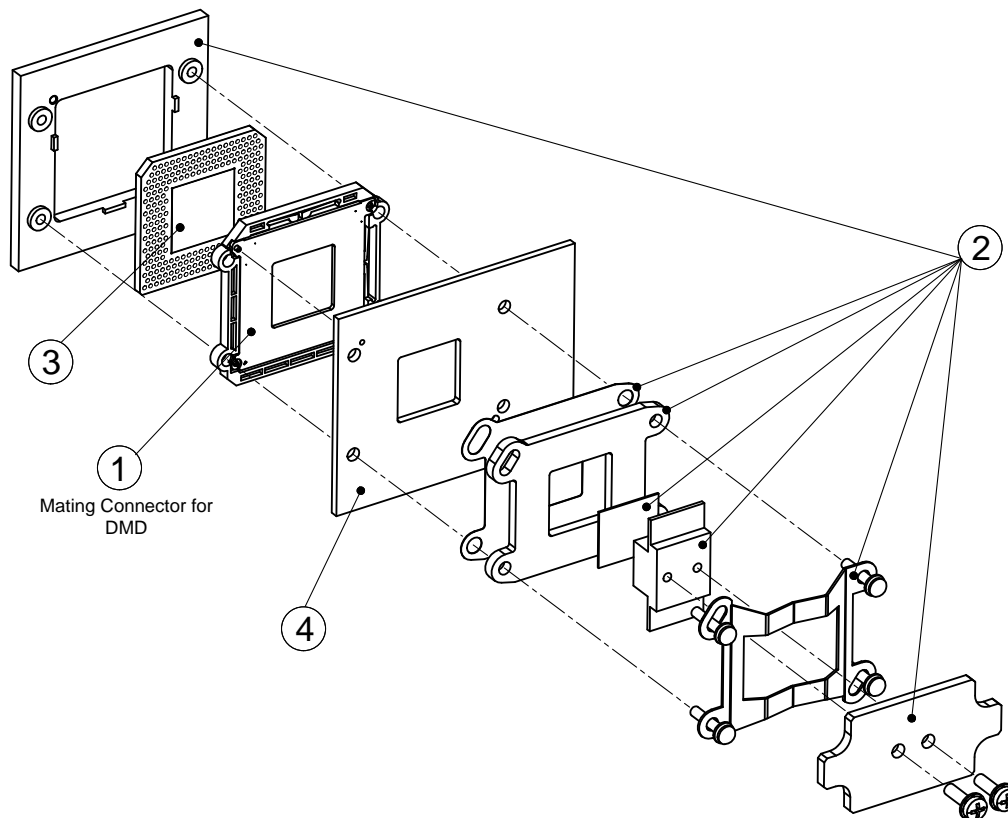
Group of Parts	Mounting Hardware Description	Manufacturer, Part Number, and Additional Information	Contact Information
1	Interposer Assembly & Contact Housing Mating Connector	Amphenol 7500-103 (203 contacts)	<a href="http://www.interconsystems.com/jwalden@interconsystems.com">http://www.interconsystems.com/jwalden@interconsystems.com</a>
2	Optical Interface and Related Hardware	Figure 9 shows a mounting concept with numbers for each group of parts. Please work with your mechanical shop on the custom design that meets your specific requirements, and to find MOQ and Leadtimes.	
3	DMD	<a href="#">System Mounting Concepts for the DLP® Type-A DMD.</a>	
4	FFC, FPC or PCB	Design file <a href="#">example</a> . Please work with your PCB shop on your custom design.	



**Figure 9. Exploded View of Mounting Concept for .7" Size Ceramic Type-A**

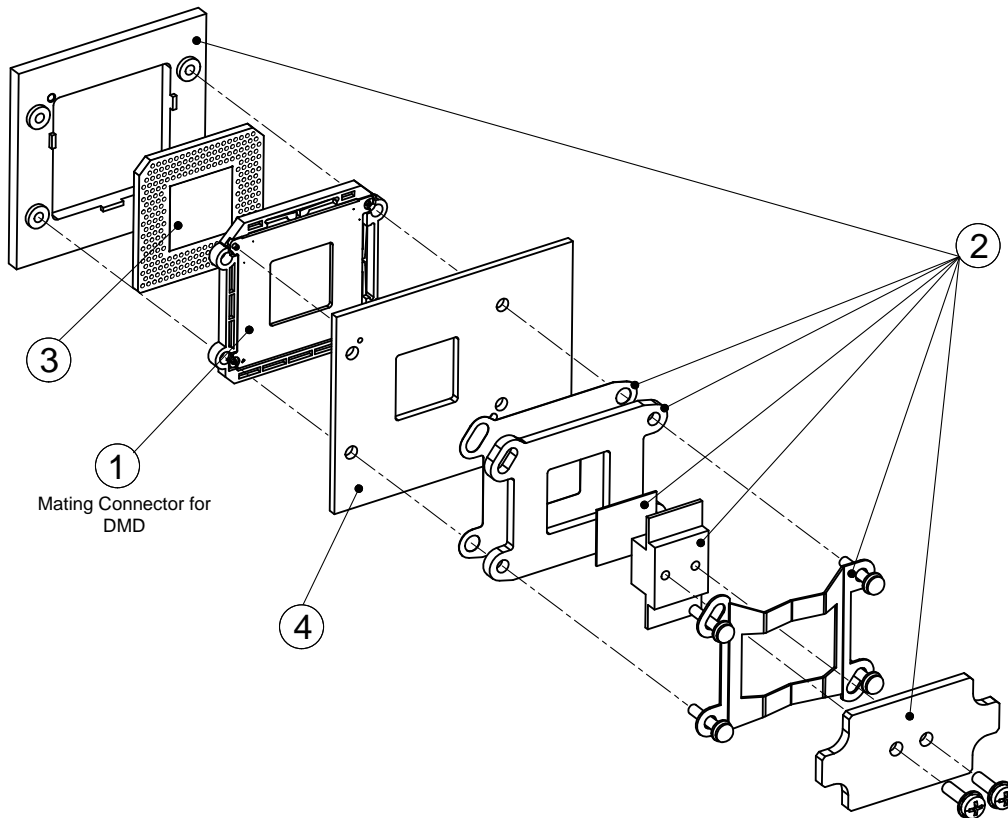
**10 DLP9000FSL, DLP9000XFSL - DLP® 0.9 WQXGA Type-A DMD**

Group of Parts	Mounting Hardware Description	Manufacturer, Part Number, and Additional Information	Contact Information
1	Interposer Assembly & Contact Housing Mating Connector	Amphenol 8448-001 (335 contacts)	<a href="http://www.interconsystems.com/jwalden@interconsystems.com">http://www.interconsystems.com/jwalden@interconsystems.com</a>
2	Optical Interface and Related Hardware	Figure 10 shows a mounting concept with numbers for each group of parts. Please work with your mechanical shop on the custom design that meets your specific requirements, and to find MOQ and Leadtimes.	
3	DMD	<a href="#">System Mounting Concepts for the DLP® Type-A DMD.</a>	
4	FFC, FPC or PCB	Design file <a href="#">example</a> . Please work with your PCB shop on your custom design.	


**Figure 10. Exploded View of Mounting Concept for .9" Size Ceramic Type-A**

**11 DLP9500FLN, DLP9500BFLN, DLP9500UVFLN - DLP® 0.95 (UV) 1080p Type-A DMD**

Group of Parts	Mounting Hardware Description	Manufacturer, Part Number, and Additional Information	Contact Information
1	Interposer Assembly & Contact Housing Mating Connector	Amphenol 8448-001 (335 contacts)	<a href="http://www.interconsystems.com/jwalden@interconsystems.com">http://www.interconsystems.com/jwalden@interconsystems.com</a>
2	Optical Interface and Related Hardware	Figure 11 shows a mounting concept with numbers for each group of parts. Please work with your mechanical shop on the custom design that meets your specific requirements, and to find MOQ and Leadtimes.	
3	DMD	<a href="#">System Mounting Concepts for the DLP® Type-A DMD.</a>	
4	FFC, FPC or PCB	Design file <a href="#">example</a> . Please work with your PCB shop on your custom design.	



**Figure 11. Exploded View of Mounting Concept for .9” Size Ceramic Type-A**

**12 Glossary**

**BTB**— Board to Board

**FFC**— Flat Flexible Cable

**FPC**— Flexible Printed Circuits

**LGA**— Land Grid Array

**LIF**— Low Insertion Force

**MOQ**— Minimum Order Quantity

**PCB**— Printed Circuit Board

**ZIF**— Zero Insertion Force

### Revision History

NOTE: Page numbers for previous revisions may differ from page numbers in the current version.

<b>Changes from Original (July 2016) to A Revision</b>	<b>Page</b>
<ul style="list-style-type: none"> <li>• Added <a href="#">Section 6</a>, DLP650LNIRFYL - DLP® 0.65 WXGA DMD – Series-450 .....</li> </ul>	8

## IMPORTANT NOTICE AND DISCLAIMER

TI PROVIDES TECHNICAL AND RELIABILITY DATA (INCLUDING DATASHEETS), DESIGN RESOURCES (INCLUDING REFERENCE DESIGNS), APPLICATION OR OTHER DESIGN ADVICE, WEB TOOLS, SAFETY INFORMATION, AND OTHER RESOURCES "AS IS" AND WITH ALL FAULTS, AND DISCLAIMS ALL WARRANTIES, EXPRESS AND IMPLIED, INCLUDING WITHOUT LIMITATION ANY IMPLIED WARRANTIES OF MERCHANTABILITY, FITNESS FOR A PARTICULAR PURPOSE OR NON-INFRINGEMENT OF THIRD PARTY INTELLECTUAL PROPERTY RIGHTS.

These resources are intended for skilled developers designing with TI products. You are solely responsible for (1) selecting the appropriate TI products for your application, (2) designing, validating and testing your application, and (3) ensuring your application meets applicable standards, and any other safety, security, or other requirements. These resources are subject to change without notice. TI grants you permission to use these resources only for development of an application that uses the TI products described in the resource. Other reproduction and display of these resources is prohibited. No license is granted to any other TI intellectual property right or to any third party intellectual property right. TI disclaims responsibility for, and you will fully indemnify TI and its representatives against, any claims, damages, costs, losses, and liabilities arising out of your use of these resources.

TI's products are provided subject to TI's Terms of Sale ([www.ti.com/legal/termsofsale.html](http://www.ti.com/legal/termsofsale.html)) or other applicable terms available either on [ti.com](http://ti.com) or provided in conjunction with such TI products. TI's provision of these resources does not expand or otherwise alter TI's applicable warranties or warranty disclaimers for TI products.

Mailing Address: Texas Instruments, Post Office Box 655303, Dallas, Texas 75265  
Copyright © 2018, Texas Instruments Incorporated