

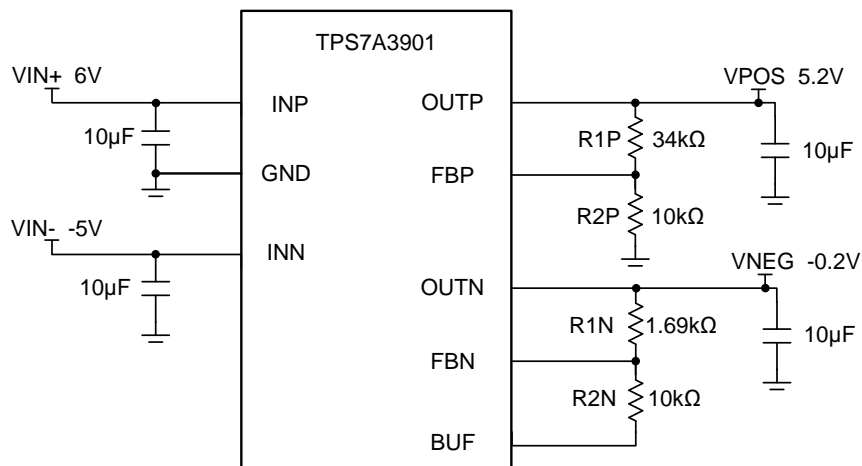
Powering a dual-supply op-amp circuit with one LDO

Reed Kaczmarek

LDO Input	LDO Output	Output Noise Level
$V_{in+} > 6V$	5.2V	27 μ VRMS
$V_{in-} < -5V$	-200mV	22 μ VRMS

Design Description

This design shows a power supply that can be used to create a positive operational-amplifier (op amp) supply and a small negative op-amp supply. This small negative voltage is adjustable and is necessary in many operational amplifiers in order to ensure linearity down to ground. This design shows the [TPS7A3901](#) as the power supply for creating the positive and negative voltage rails for operational amplifier circuits. This low dropout regulator (LDO) differs from most in its ability to regulate small negative voltages, as the following image shows. This is a generic circuit implementation that can be used in many *Industrial* applications.



Copyright © 2018, Texas Instruments Incorporated

Specifications

Measured Performance of ADS8900B With LDO

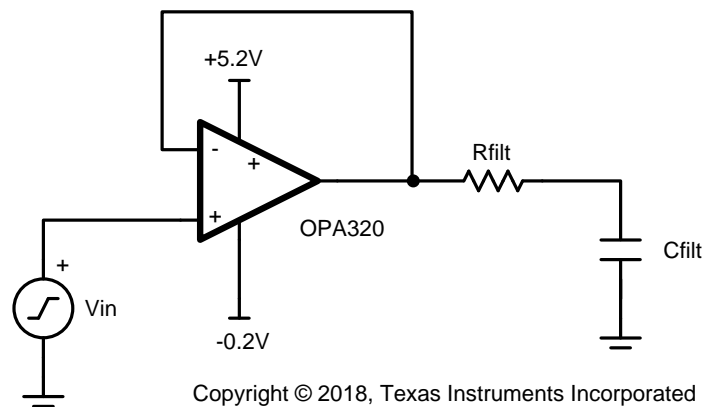
Parameter	Test Condition	Data Sheet Specification	Measured ADS8900B Performance
SNR	V _{in_max} = 5V, V _{in_min} = 0V	104.5dB	102.2dB
THD	V _{in_max} = 5V, V _{in_min} = 0V	-125dB	-123.5dB

Design Notes

1. Determine the linear range of the op amp based on common mode, output swing, and linear open-loop gain specification.
2. Set the adjustable LDO outputs to match the linear range of op amp.
3. Select X7R capacitors according to their temperature performance.
4. In cases where a negative supply is not available, an alternative solution is to use a [Low Noise Negative Bias Generator](#) (LM7705).

Component Selection

1. A common configuration shows in the following image using an OPA320 in a buffer configuration with a 0-V to 5-V desired linear signal swing. The power supplies are both 200mV away from the desired input and output swing. This topology ensures linear input and output swing for this amplifier.

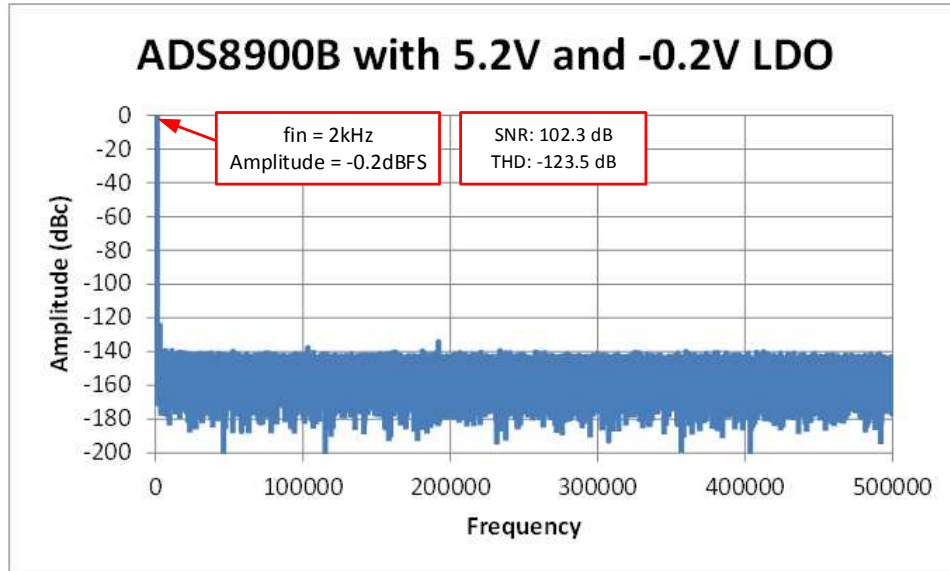


2. Select the components for the adjustable LDO outputs. Using the previous OPA320 example, the rails for the system will be -200mV and +5.2 V.

Desired Output	R1	R2
+5.2V	34kΩ	10kΩ
-200mV	1.69kΩ	10kΩ

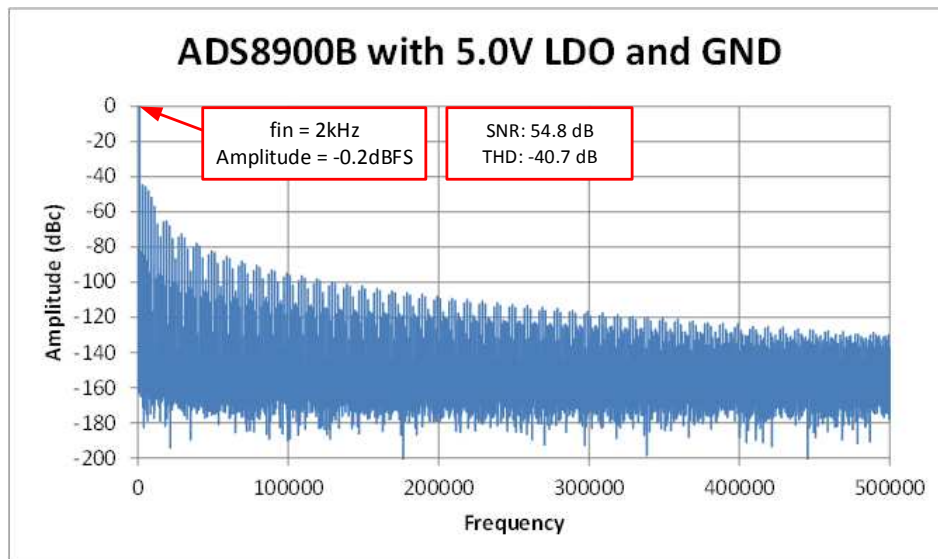
ADS8900B 20-Bit FFT Taken With LDO Adjusted to 5.2V and -0.2V

The FFT in the following was measured with an input signal very near full scale $\pm 5V$ (-0.2dBFS). Note that the SNR and THD is very good compared to the case where the supply is adjusted to 5V and GND. Note the [TPS7A3901](#) is a convenient way to generate a linear -0.2-V supply.



ADS8900B 20-Bit FFT Taken With LDO Adjusted to 5.0V and GND

The FFT shown in the following image was measured with an input signal very near full scale $\pm 5V$ (-0.2dBFS). Note that the SNR and THD is poor compared to the case where the supply is adjusted to 5.2V and -0.2V.



Design Featured Devices

Device	Key Features	Link	Similar Devices
TPS7A3901	The TPS7A39 device is a dual, monolithic, high-PSRR, positive and negative low-dropout (LDO) voltage regulator capable of sourcing (and sinking) up to 150mA of current. It has a wide output voltage range of 1.2V to 30V for the positive output and -30V to 0V for the negative output. This device is ideally suited for generating a small negative supply voltage that is useful in cases where a single-supply amplifier needs a small negative supply so that the output can linearly swing to 0V.	www.ti.com/product/TPS7A39	www.ti.com/product/LM7705⁽¹⁾
ADS8900B	Bipolar differential inputs, SAR ADC with internal reference buffer, SPI interface	www.ti.com/product/ADS8900B	www.ti.com/adcs
OPA320	Precision, Zero-Crossover, 20Mhz, RRIO, CMOS Operational Amplifier	www.ti.com/product/opa320	www.ti.com/opamp

⁽¹⁾ The LM7705 is another option for a negative voltage supply. It is not an LDO regulator, but instead it is a switched-capacitor regulator.

Design References

See [Analog Engineer's Circuit Cookbooks](#) for TI's comprehensive circuit library.

Revision History

Revision	Date	Change
A	March 2019	Downstyle the title and changed title role to 'Data Converters'. Added link to circuit cookbook landing page.

IMPORTANT NOTICE AND DISCLAIMER

TI PROVIDES TECHNICAL AND RELIABILITY DATA (INCLUDING DATASHEETS), DESIGN RESOURCES (INCLUDING REFERENCE DESIGNS), APPLICATION OR OTHER DESIGN ADVICE, WEB TOOLS, SAFETY INFORMATION, AND OTHER RESOURCES "AS IS" AND WITH ALL FAULTS, AND DISCLAIMS ALL WARRANTIES, EXPRESS AND IMPLIED, INCLUDING WITHOUT LIMITATION ANY IMPLIED WARRANTIES OF MERCHANTABILITY, FITNESS FOR A PARTICULAR PURPOSE OR NON-INFRINGEMENT OF THIRD PARTY INTELLECTUAL PROPERTY RIGHTS.

These resources are intended for skilled developers designing with TI products. You are solely responsible for (1) selecting the appropriate TI products for your application, (2) designing, validating and testing your application, and (3) ensuring your application meets applicable standards, and any other safety, security, or other requirements. These resources are subject to change without notice. TI grants you permission to use these resources only for development of an application that uses the TI products described in the resource. Other reproduction and display of these resources is prohibited. No license is granted to any other TI intellectual property right or to any third party intellectual property right. TI disclaims responsibility for, and you will fully indemnify TI and its representatives against, any claims, damages, costs, losses, and liabilities arising out of your use of these resources.

TI's products are provided subject to TI's Terms of Sale (www.ti.com/legal/termsofsale.html) or other applicable terms available either on ti.com or provided in conjunction with such TI products. TI's provision of these resources does not expand or otherwise alter TI's applicable warranties or warranty disclaimers for TI products.

Mailing Address: Texas Instruments, Post Office Box 655303, Dallas, Texas 75265
Copyright © 2019, Texas Instruments Incorporated