

## ***Driving a SAR ADC directly without a front-end buffer circuit (low-power, low-sampling-speed DAQ)***

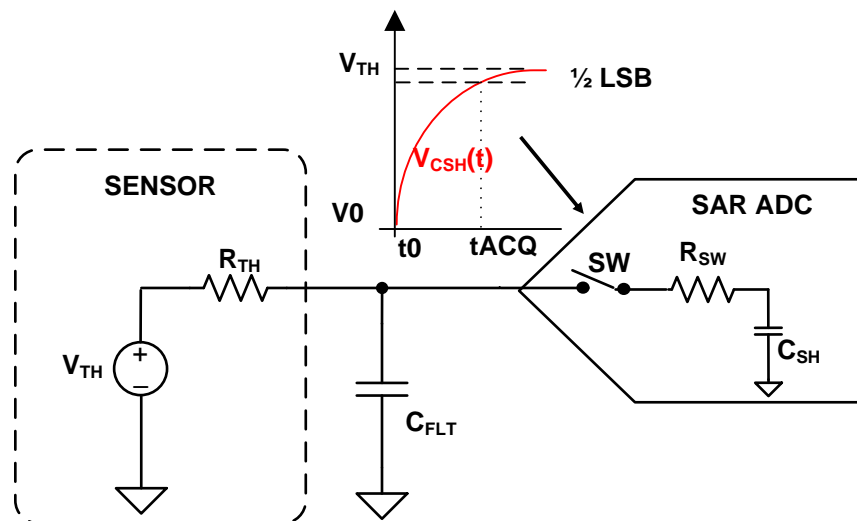
Abhijeet Godbole

### **Design Description**

This design explains how sensor outputs can be directly interfaced with a SAR ADC input. In applications such as *Environmental Sensors*, *Gas Detectors*, and *Smoke or Fire Detectors*, the input is very slow-moving and the sensor output voltage is sampled at fairly slower speeds (10ksps or so). In such or similar systems, the sensor output can be directly interfaced with the SAR ADC input without the need for a driver amplifier to achieve a small form-factor, low-cost design.

### **Interfacing Sensor Output Directly to a SAR ADC**

The following figure shows a typical application diagram for interfacing a sensor directly to a SAR ADC input without the use of a driver amplifier. The sensor block highlights the Thevenin equivalent of a sensor output. Voltage source,  $V_{TH}$ , is the Thevenin-equivalent voltage and source resistance  $R_{TH}$  is the Thevenin-equivalent impedance. Most sensor data sheets provide the Thevenin model of the sensor from which the value of the series impedance can be easily calculated.



## Specifications

Parameter	Calculated	Simulated	Measured
Transient ADC Input Settling Error	< 0.5LSB < 100.5 $\mu$ V	36.24 $\mu$ V	N/A
Step Input Full Scale Range	3.15V	3.15V	3.14978
Input Source Impedance ( $R_{TH}$ )	10k $\Omega$	10k $\Omega$	10.01k $\Omega$
Filter Capacitor Value ( $C_{FLT}$ )	680pF	680pF	N/A
ADC Sampling Speed	10ksps	10ksps	10ksps

## Design Note

1. Determine source impedance of input signal. Calculate the RC time constant of the input source impedance and filter capacitor (known value).
2. Determine the minimum acquisition time required for the input signal to settle for a given source impedance and the filter capacitor combination.
3. Select COG capacitors to minimize distortion.
4. Use 0.1% 20ppm/ $^{\circ}$ C film resistors or better for good gain drift and to minimize distortion.

## Component Selection for ADC Input Settling

SAR ADCs can be directly interfaced with sensors when the analog input source is capable of driving the switched capacitor load of a SAR ADC and settling the analog input signal to within  $\frac{1}{2}$  of an LSB within the acquisition time of the SAR ADC. To achieve this, the external RC filter ( $R_{TH}$  and  $C_{FLT}$ ) must settle within the acquisition time ( $t_{ACQ}$ ) of the ADC. The relationship between the ADC acquisition time and RC time constant of the external filter is:

$$t_{ACQ} \geq k \cdot \tau_{FLT}$$

where

- $\tau_{FLT} = R_{TH} \cdot C_{FLT}$
- k is the single pole time constant for N bit ADC

The following design example values are given in the table on page 1:

$$R_{TH} = 10k\Omega$$

$$C_{FLT} = 680pF$$

$K = 11$  (Single pole time constant multiplier for 14-bit ADC) – More information is found on page 96 and page 97 of the [Analog Engineer's Pocket Reference](#).

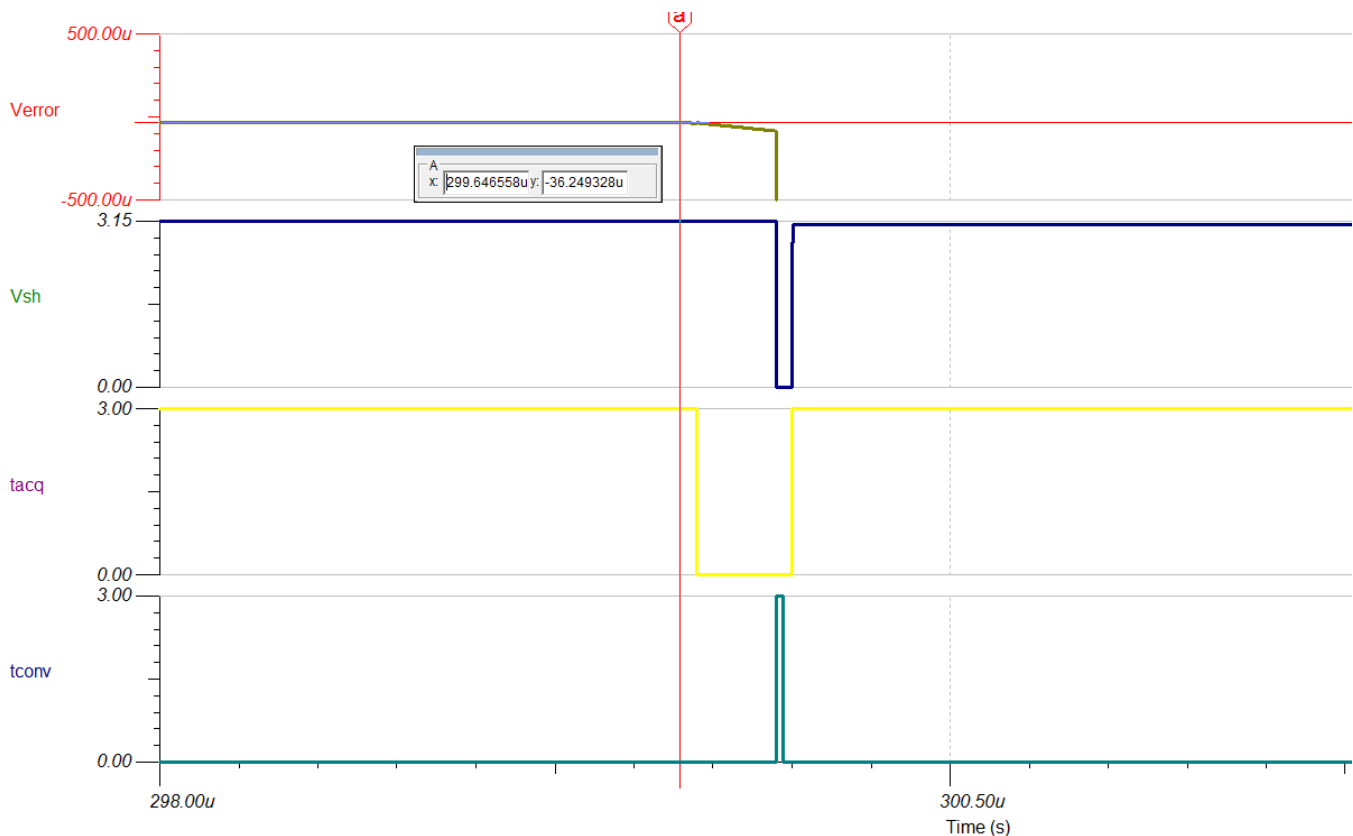
Minimum acquisition time required for proper settling is calculated using this equation:

$$t_{ACQ} \geq 11 \cdot 10k\Omega \cdot 680pF = 74.80\mu s$$

For more information on SAR ADCs and front end design for SAR ADCs, refer to [Introduction to SAR ADC Front-End Component Selection](#).

## Transient Input Settling Simulation using TI-TINA

The following figure shows the settling of an [ADS7056](#) ADC given a 3.15-V DC input signal. This type of simulation shows that the sample and hold kickback circuit is properly selected. Refer to [Refine the Rfilt and Cfilt Values](#) in the [TI Precision Labs - ADCs](#) training video series for detailed theory on this subject.



### Increasing Acquisition Time of SAR ADC for Input Signal Settling

The acquisition time of a SAR ADC can be increased by reducing the throughput in the following ways:

1. Reducing the SCLK frequency to reduce the throughput.
2. Keeping the SCLK fixed at the highest permissible value and increasing the CS high time.

The following table lists the acquisition time for the previous two cases for the [ADS7056](#) SAR ADC operating at 10ksps throughput ( $t_{\text{cycle}} = 100\mu\text{s}$ ). Case 2 provides a longer acquisition time for the input signal to settle because of the increased frequency of the SCLK given a fixed conversion and cycle time.

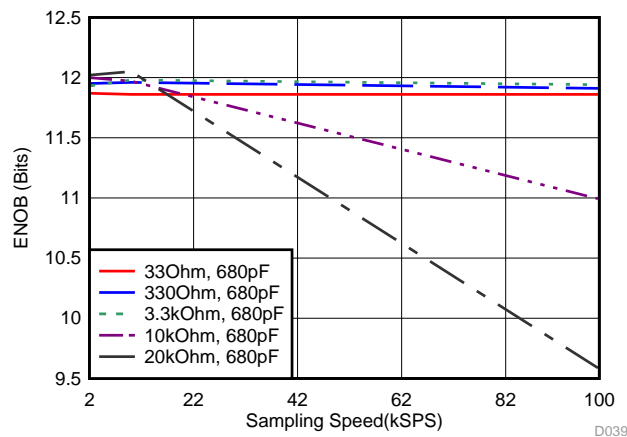
Case	SCLK	$t_{\text{cycle}}$	Conversion Time ( $18 \cdot t_{\text{SCLK}}$ )	Acquisition Time ( $t_{\text{cycle}} - t_{\text{conv}}$ )
1	0.24MHz	100 $\mu\text{s}$	74.988 $\mu\text{s}$	25.01 $\mu\text{s}$
2	60MHz	100 $\mu\text{s}$	0.3 $\mu\text{s}$	99.70 $\mu\text{s}$

The following table shows a performance comparison between an 8-, 10-, 12-, and 14-bit ADC with respect to sampling speed and effective number of bits (ENOB) when a sensor output with an output impedance of 10k $\Omega$  is directly interfaced with the ADC input. As expected, the ENOB degrades with higher sampling rates because the acquisition time decreases.

Sampling Speed (ksps)	ADS7040 (8-bit ADC) ENOB ( $R_{\text{TH}} = 10\text{k}\Omega$ , $C_{\text{FLT}} = 1.5\text{nF}$ )	ADS7041 (10-bit ADC) ENOB ( $R_{\text{TH}} = 10\text{k}\Omega$ , $C_{\text{FLT}} = 1.5\text{nF}$ )	ADS7042 (12-bit ADC) ENOB ( $R_{\text{TH}} = 10\text{k}\Omega$ , $C_{\text{FLT}} = 1.5\text{nF}$ )	ADS7056 (14-bit ADC) ENOB ( $R_{\text{TH}} = 10\text{k}\Omega$ , $C_{\text{FLT}} = 680\text{pF}$ )
10	7.93	9.87	10	12.05
100	7.92	9.85	9.97	10.99
500	7.88	9.68	9.95	8.00

### Performance Achieved at Different Throughput Rates with Different Source impedance

The following figure provides the ENOB achieved from the ADS7056 at different throughput with different input impedances. Note that all the results for the following graph were taken with a 100-Hz analog input signal and without an ADC driver amplifier.



### Design Featured Devices:

Device	Key Features	Link	Similar Devices
<a href="#">ADS7040</a>	8-bit resolution, SPI, 1-Msps sample rate, single-ended input, AVDD/Vref input range 1.6V to 3.6V.	<a href="http://www.ti.com/product/ADS7040">www.ti.com/product/ADS7040</a>	<a href="http://www.ti.com/adcs">www.ti.com/adcs</a>
<a href="#">ADS7041</a>	10-bit resolution, SPI, 1Msps sample rate, single-ended input, AVDD/Vref input range 1.6V to 3.6V.	<a href="http://www.ti.com/product/ADS7041">www.ti.com/product/ADS7041</a>	<a href="http://www.ti.com/adcs">www.ti.com/adcs</a>
<a href="#">ADS7042</a>	12-bit resolution, SPI, 1-Msps sample rate, single-ended input, AVDD/Vref input range 1.6V to 3.6V.	<a href="http://www.ti.com/product/ADS7042">www.ti.com/product/ADS7042</a>	<a href="http://www.ti.com/adcs">www.ti.com/adcs</a>
<a href="#">ADS7056</a>	14-bit resolution, SPI, 2.5-Msps sample rate, single-ended input, AVDD/Vref input range 1.6V to 3.6V.	<a href="http://www.ti.com/product/ADS7056">www.ti.com/product/ADS7056</a>	<a href="http://www.ti.com/adcs">www.ti.com/adcs</a>

**NOTE:** The ADS7042 and ADS7056 use the AVDD as the reference input. A high-PSRR LDO, such as the TPS7A47, should be used as the power supply.

### Design References

See [Analog Engineer's Circuit Cookbooks](#) for TI's comprehensive circuit library.

### Link to Key file

Source files for interfacing sensor output directly with SAR ADCs – <http://www.ti.com/lit/zip/sbac178>.

### Revision History

Revision	Date	Change
A	March 2019	Downstyle the title and changed title role to 'Data Converters'. Added link to circuit cookbook landing page.

## IMPORTANT NOTICE AND DISCLAIMER

TI PROVIDES TECHNICAL AND RELIABILITY DATA (INCLUDING DATA SHEETS), DESIGN RESOURCES (INCLUDING REFERENCE DESIGNS), APPLICATION OR OTHER DESIGN ADVICE, WEB TOOLS, SAFETY INFORMATION, AND OTHER RESOURCES "AS IS" AND WITH ALL FAULTS, AND DISCLAIMS ALL WARRANTIES, EXPRESS AND IMPLIED, INCLUDING WITHOUT LIMITATION ANY IMPLIED WARRANTIES OF MERCHANTABILITY, FITNESS FOR A PARTICULAR PURPOSE OR NON-INFRINGEMENT OF THIRD PARTY INTELLECTUAL PROPERTY RIGHTS.

These resources are intended for skilled developers designing with TI products. You are solely responsible for (1) selecting the appropriate TI products for your application, (2) designing, validating and testing your application, and (3) ensuring your application meets applicable standards, and any other safety, security, regulatory or other requirements.

These resources are subject to change without notice. TI grants you permission to use these resources only for development of an application that uses the TI products described in the resource. Other reproduction and display of these resources is prohibited. No license is granted to any other TI intellectual property right or to any third party intellectual property right. TI disclaims responsibility for, and you will fully indemnify TI and its representatives against, any claims, damages, costs, losses, and liabilities arising out of your use of these resources.

TI's products are provided subject to [TI's Terms of Sale](#) or other applicable terms available either on [ti.com](#) or provided in conjunction with such TI products. TI's provision of these resources does not expand or otherwise alter TI's applicable warranties or warranty disclaimers for TI products.

TI objects to and rejects any additional or different terms you may have proposed.

Mailing Address: Texas Instruments, Post Office Box 655303, Dallas, Texas 75265  
Copyright © 2021, Texas Instruments Incorporated