

Single-Ended to Differential Signal Conversion Using an Op Amp and FDA for Unipolar Signals



Evan Sawyer

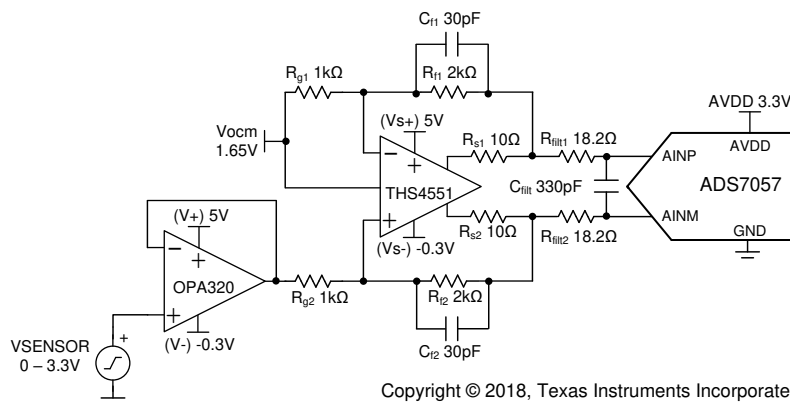
Input	ADC Input	Digital Output ADS7057
$V_{in} \text{ Min} = -3.3\text{V}$	AINP = 0V AINM = 3.3V	2000 _H 8192 ₁₀
$V_{in} \text{ Max} = 3.3\text{V}$	AINP = 3.3V AINM = 0V	1FFF _H 8191 ₁₀

Power Supplies

AVDD	GND	DVDD
3.3V	0V	1.8V

Design Description

This design is intended to demonstrate how to convert a unipolar, single-ended signal into a unipolar, fully-differential signal and drive a differential ADC (for more information on these and other signal types, please refer to the [TI Precision Labs](#) training titled [SAR ADC Input Types](#)). Compared to a single-ended device, a fully-differential ADC has twice the dynamic range which improves the AC performance of the converter. Many common systems, for example [Sonar Receivers](#), [Flow Meters](#), and [Motor Controls](#), benefit from the higher performance of a differential ADC. The equations and explanation of component selection in this design can be customized based on system specifications and needs. For more information on a similar design using a bipolar input, see the cookbook circuit titled [Single-Ended to Differential Using an Op Amp and FDA for Bipolar Signals](#).



Specifications

Specification	Calculated	Simulated
Transient ADC Input Settling (at 250ksps)	$< 0.5 \times \text{LSB} = 201\mu\text{V}$	144.8 μV
Conditioned Signal Range (at 250ksps)	$> 99\% \text{ ADC FSR} = > 6.53\text{V}$	6.60V
Noise	43.8 $\mu\text{V} \pm \sqrt{\text{Hz}}$	44.3 $\mu\text{V} \pm \sqrt{\text{Hz}}$

Design Notes

1. The ADS7057 was selected because of its throughput (2.5Msps), size (2.25mm²), and low-latency (successive approximation register, or SAR, architecture).
2. Determine the linear range of the fully-differential amplifier (ADC driver) based on common mode, output swing, and linear open-loop gain specification. This is covered in the component selection section.
3. Determine the linear range of the op amp (signal conditioning) based on common mode, output swing, and linear open-loop gain specification. This is covered in the component selection section.
4. Select COG (NPO) capacitors for C_{filt}, to minimize distortion.
5. For best performance, consider using a 0.1% 20ppm/°C film resistor, or better, to minimize distortion.
6. The [TI Precision Labs - ADCs](#) training video series covers methods for selecting the charge bucket circuit R_{filtx} and C_{filt}. These component values are dependent on the amplifier bandwidth, data converter sampling rate, and data converter design. The values shown here will give good settling and AC performance for the amplifier and data converter in this example. If you modify the design you will need to select a different RC filter. Refer to [Introduction to SAR ADC Front-end Component Selection](#) for an explanation of how to select the RC filter for best settling and AC performance.

Component Selection

1. Select a fully-differential amplifier capable of driving the ADC:
[THS4551](#) – Low noise, precision, 150MHz, fully-differential amplifier

- Wide input common-mode voltage:

$$V_{s-} - 0.1V < V_{cm} < V_{s+} - 1.3V$$

- Linear output (requirement: 0V to 3.3V at each output):

$$V_{s-} + 0.22V < V_{out} < V_{s+} - 0.22V$$

2. Select a wide bandwidth operational amplifier:
[OPA320](#) – Precision, zero-crossover, 20MHz, RRIO, operational amplifier

- Gain bandwidth product >12.5MHz (>5 times the sampling rate)
- Input common-mode voltage (requirement: 0 - 3.3V):

$$V_{-} - 0.1V < V_{cm} < V_{+} + 0.1V$$

- Linear output:

$$V_{-} + 0.03V < V_{out} < V_{+} - 0.03V$$

$$V_{-} + 0.2V < V_{out} < V_{+} - 0.2V$$

- Combined worst-case linear range (calculated from supplies used with OPA320):

$$-0.1V < V_{out} < 4.8V$$

Note

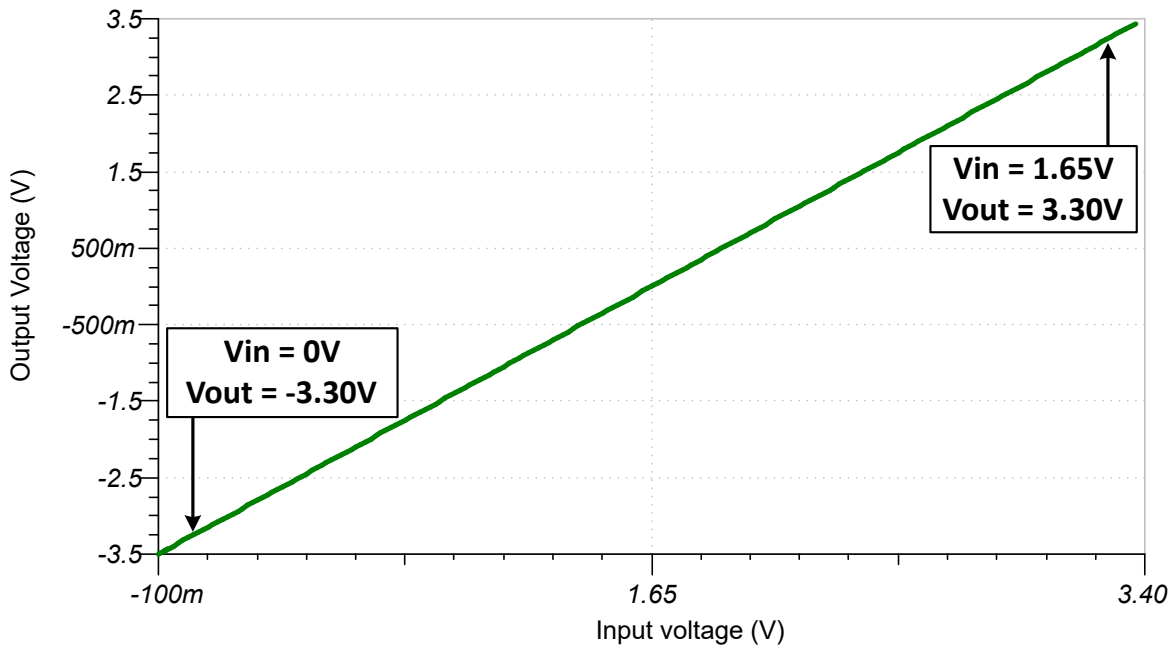
The operational amplifier is used to protect the sensor from any charge kickbacks that occur when the ADC connects or disconnects the sampling capacitor. This amplifier may not be needed if the sensor has a high-output impedance. A negative rail is used for both the OPA320 and THS4551 based on the assumption that the sensor is operating with a negative rail; this also provides the highest performance from the ADC by providing the full scale input range.

3. Select R_{fx} and R_{gx}
 - The combination of R_{fx} and R_{gx} sets the gain of the system. With an input range of 0V - 3.3V and an ADC full scale of ±3.3V, a gain of 2 was selected for this system.
 - The values of R_{fx} = 2k and R_{gx} = 1k were selected to both provide the desired gain as well as limit the current through the feedback network, thus minimizing power consumption of the system.
4. Select R_{sx}

- It is important to connect small resistors at the output of the amplifier, in this case 10Ω, to flatten the output impedance and improve stability of the system.
5. Select R_{filtx} and C_{filt} values for settling of 250-kHz input signal and sample rate of 2.5Msps:
- [Refine the \$R_{filt}\$ and \$C_{filt}\$ Values](#) is a Precision Labs Video showing the methodology for selecting R_{filtx} and C_{filt} . The final value of 18.2Ω and 330pF proved to settle to well below ½ of a least significant bit (LSB) within the acquisition window.

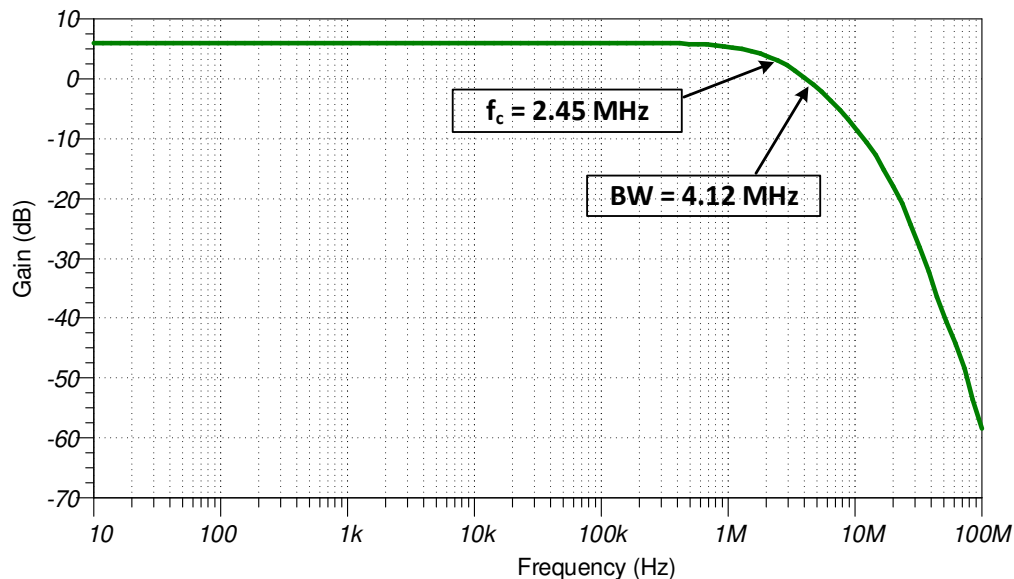
DC Transfer Characteristics

The following graph shows the simulated output for a 0 - 3.3V input. The analog front end has a linear output of ±3.3V which matches the full-scale range (FSR) of the ADC (with AVDD = 3.3V).



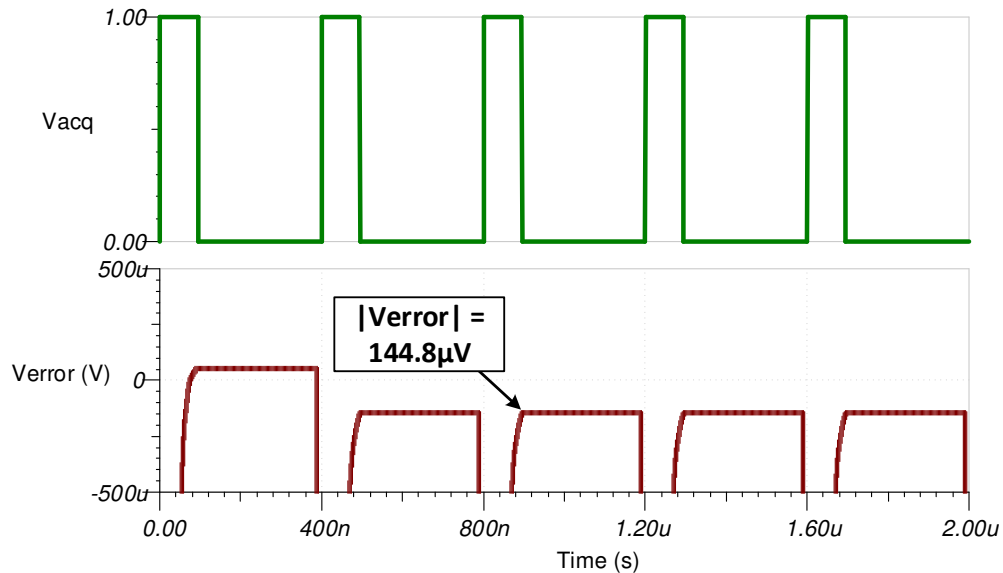
AC Transfer Characteristics

The bandwidth of the analog front end is simulated to be 4.12MHz at the gain of 0dB which is a linear gain of 1. This bandwidth allows the inputs of the ADC to adequately settle for a 250-ksps input signal.



Transient ADC Input Settling Simulation

The following simulation shows the ADC sample and hold capacitor settling for a 3.3-V DC input signal. This simulation shows that the analog front end is able to drive the ADC with a large step input (from 0V to 3.3V) so it settles to within $\frac{1}{2}$ of an LSB (approximately $200\mu\text{V}$) in the allotted acquisition time (95ns). Refer to [Introduction to SAR ADC Front-End Component Selection](#) for detailed theory on this subject, and follow the link at the end of this design to download these simulation files.



Noise Simulation

This section walks through a simplified noise calculation, providing a rough estimate to compare with the simulated result. The resistor noise is included in this calculation as it is a significant portion of the overall noise of the system. Note that the resistor noise can be reduced by using smaller value resistors, but at the expense of increased power consumption through the feedback network.

$$f_c = \frac{1}{2 \times \pi \times R_{filt} \times C_{filt}} = \frac{1}{2 \times \pi \times 2 \text{ k}\Omega \times 30 \text{ pF}} = 2.65 \text{ MHz}$$

$$E_n = e_{OPA320} \times \sqrt{2 \times K_n \times f_c} = (7 \text{ nV} / \sqrt{\text{Hz}}) \times \sqrt{2 \times 1.57 \times 2.65 \text{ MHz}} = 20.2 \mu\text{V} / \sqrt{\text{Hz}}$$

$$E_{n_OPA320} = E_n \times \text{Gain} = 20.2 \mu\text{V} / \sqrt{\text{Hz}} \times 2 = 40.4 \mu\text{V} / \sqrt{\text{Hz}}$$

$$E_{n_THS4551} = e_{nTHS4551} \times \sqrt{2 \times K_n \times f_c} = (3.3 \text{ nV} / \sqrt{\text{Hz}}) \times \sqrt{2 \times 1.57 \times 2.65 \text{ MHz}} = 9.52 \mu\text{V} / \sqrt{\text{Hz}}$$

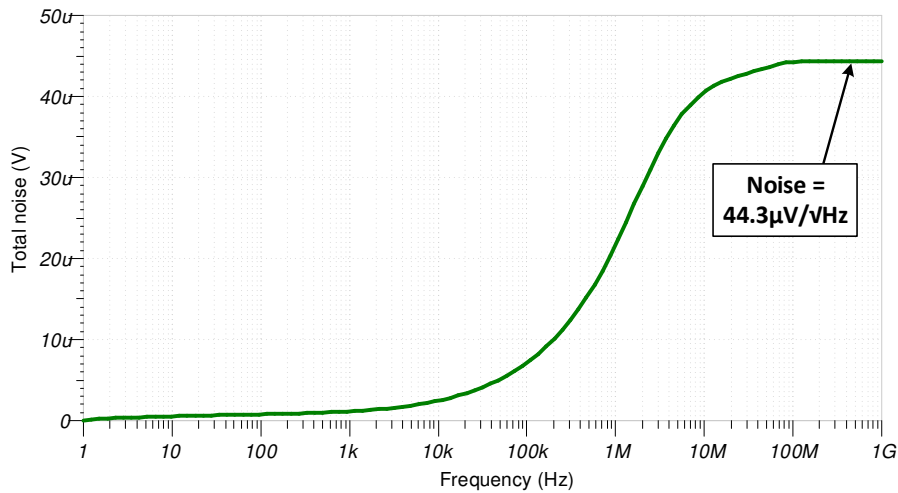
$$E_{Rg} = \frac{\sqrt{4 \times k \times T \times R_g}}{1 \times 10^{-9}} \times \frac{R_f}{R_g} \times \sqrt{2} = \frac{\sqrt{4 \times 1.38 \times 10^{-23} \times (273.15 + 25) \times 1000}}{1 \times 10^{-9}} \times \frac{2000}{1000} \times \sqrt{2} = 11.47 \mu\text{V} / \sqrt{\text{Hz}}$$

$$E_{Rf} = \frac{\sqrt{4 \times k \times T \times R_f}}{1 \times 10^{-9}} \times \sqrt{2} = \frac{\sqrt{4 \times 1.38 \times 10^{-23} \times (273.15 + 25) \times 2000}}{1 \times 10^{-9}} \times \sqrt{2} = 8.11 \mu\text{V} / \sqrt{\text{Hz}}$$

Total noise at output equation:

$$E_n = \sqrt{E_{nOPA320}^2 + E_{n_THS4551}^2 + E_{Rg}^2 + E_{Rf}^2} = \sqrt{40.4^2 + 9.52^2 + 11.47^2 + 8.11^2} = 43.8 \mu\text{V} / \sqrt{\text{Hz}}$$

Note that calculated and simulated match well. Refer to the [TI Precision Labs - ADCs](#) training video series for detailed theory on this subject.



Design Featured Devices

Device	Key Features	Link	Similar Devices
ADS7057	14 bit, 2.5 Msps, fully-differential input, SPI, 2.25mm ² package	14-Bit, 2.5MSPS, Differential Input, Small-Size Low-Power SAR ADC	Precision ADCs
THS4551	150MHz, 3.3nV/√Hz input voltage noise, fully-differential amplifier	Low Noise, Precision, 150MHz, Fully Differential Amplifier	Fully differential amplifiers
OPA320	Precision, zero-crossover, 20MHz, 0.9pA Ib, RRIO, operational amplifier	Precision, zero-crossover, 20MHz, 0.9pA Ib, RRIO, CMOS operational amplifier	Operational amplifiers (op amps)

Note

The ADS7057 uses the AVDD as the reference input. Use a high-PSRR LDO, such as the [TPS7A47](#), as the power supply.

Link to Key files (TINA):

Texas Instruments, [design files for SBAA264](#), SBAC188 software support

Revision History

NOTE: Page numbers for previous revisions may differ from page numbers in the current version.

Changes from Revision A (March 2019) to Revision B (September 2024)	Page
• Updated the format for tables, figures, and cross-references throughout the document.....	1

Changes from Revision * (January 2018) to Revision A (March 2019)	Page
• Downstyle the title and changed title role to 'Data Converters'. Added link to circuit cookbook landing page...	1

Trademarks

All trademarks are the property of their respective owners.

IMPORTANT NOTICE AND DISCLAIMER

TI PROVIDES TECHNICAL AND RELIABILITY DATA (INCLUDING DATA SHEETS), DESIGN RESOURCES (INCLUDING REFERENCE DESIGNS), APPLICATION OR OTHER DESIGN ADVICE, WEB TOOLS, SAFETY INFORMATION, AND OTHER RESOURCES "AS IS" AND WITH ALL FAULTS, AND DISCLAIMS ALL WARRANTIES, EXPRESS AND IMPLIED, INCLUDING WITHOUT LIMITATION ANY IMPLIED WARRANTIES OF MERCHANTABILITY, FITNESS FOR A PARTICULAR PURPOSE OR NON-INFRINGEMENT OF THIRD PARTY INTELLECTUAL PROPERTY RIGHTS.

These resources are intended for skilled developers designing with TI products. You are solely responsible for (1) selecting the appropriate TI products for your application, (2) designing, validating and testing your application, and (3) ensuring your application meets applicable standards, and any other safety, security, regulatory or other requirements.

These resources are subject to change without notice. TI grants you permission to use these resources only for development of an application that uses the TI products described in the resource. Other reproduction and display of these resources is prohibited. No license is granted to any other TI intellectual property right or to any third party intellectual property right. TI disclaims responsibility for, and you will fully indemnify TI and its representatives against, any claims, damages, costs, losses, and liabilities arising out of your use of these resources.

TI's products are provided subject to [TI's Terms of Sale](#) or other applicable terms available either on [ti.com](https://www.ti.com) or provided in conjunction with such TI products. TI's provision of these resources does not expand or otherwise alter TI's applicable warranties or warranty disclaimers for TI products.

TI objects to and rejects any additional or different terms you may have proposed.

Mailing Address: Texas Instruments, Post Office Box 655303, Dallas, Texas 75265
Copyright © 2024, Texas Instruments Incorporated