

High-side current shunt monitor circuit to 3-V single-ended ADC

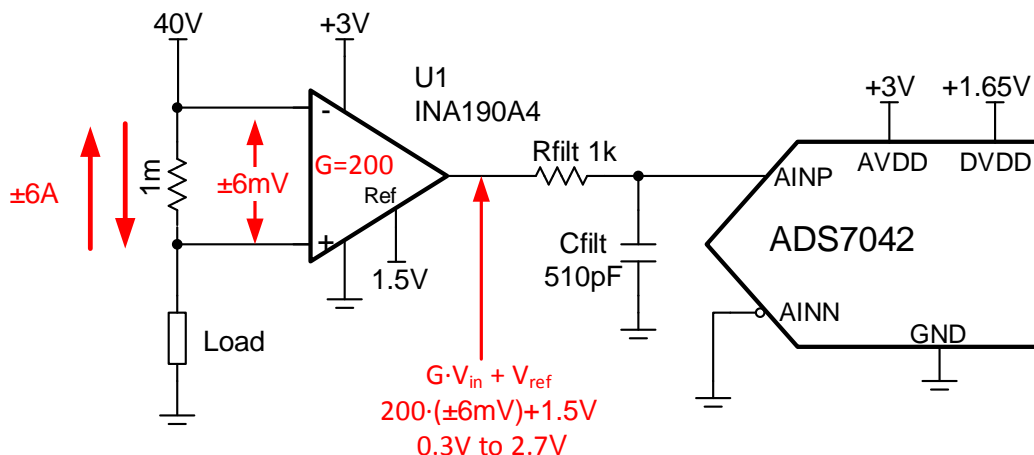
Art Kay

Input	ADC Input	Digital Output ADS7042
–6A	0.3V	19A _H , 410 _d
+6A	2.7V	E66 _H , 3686 _d

Power Supplies		
AVDD / V _{REF}	DVDD	V _{sup}
3.0V	1.65V	40V

Design Description

Current shunt monitors are amplifiers that are optimized to read small shunt voltages over very wide common mode ranges. This example application uses the [INA190A4](#) to translate a ± 6 -A current into a 0-V to 3-V range for the ADC. Note that this is a high sided current measurement with a 40V common mode range. Detailed theory on current sensing is covered in [Using current sense amplifiers to solve today's current sensing design challenges](#). Compared to other current shunt devices the INA190 has very low offset voltage, bias current, and drift. This excellent DC performance allows smaller for smaller input voltage ranges without compromising accuracy as the offset is small compared to the input signal. The use of small shunt resistors is an advantage as the power dissipated in the shunt is smaller for smaller resistors for a given current level. The [ADS7042](#) is a 12 bit 1MSPS SAR ADC with a 3V analog input range. The design shown in this document can be modified for other data converters and input ranges. This design can be used a wide range of applications where current needs to be monitored such as [notebook computers](#), [cell phones](#), and [battery management](#).



Specifications

Specification	Goal	Calculated	Simulated
Transient Settling	$< 0.5\text{LSB} = 366\mu\text{V}$	NA	$0.94\mu\text{V}$
Noise	NA	3.5mVrms	3.16mV
Bandwidth	NA	33kHz	35kHz

Design Notes

1. The tolerance in the shunt resistor, R_{SENSE} , will translate into a gain error. Choose the tolerance according to your error budget. Note that the maximum specified gain error for the INA190A4 is 0.3% and a common tolerance 1-m resistor is 0.5% to 1.0%.
2. Selection of the shunt resistor is covered in the component selection section. The objective is to minimize power dissipation while maintaining good accuracy.
3. Use a C0G capacitor for C_{FILT} to minimize distortion.
4. The example design is for a bidirectional current source (for example, $\pm 6\text{A}$). A similar approach can be followed for an unidirectional current source (for example, 0A to 12A). The main difference is that the reference input pin would connect to ground as opposed to $1/2 V_{\text{REF}}$.

Component Selection

1. Choose R_{sense} Resistor and find Gain for the current sense amplifier (bidirectional current)

$$R_{sh} < \frac{P_{max}}{(I_{max})^2} = \frac{50mW}{(6A)^2} = 1.38m\Omega$$

$$\text{Choose } R_{sh} = 1m\Omega$$

$$\pm V_{out(range)} = \pm \frac{V_{REF}}{2} = \pm \frac{3V}{2} = \pm 1.5V$$

$$G_{INA} = \frac{\pm V_{out(range)}}{I_{load(max)} \cdot R_{sh}} = \frac{\pm 1.5V}{6A \cdot 1m\Omega} = 250V/V$$

Select INA190A4, $G = 200V/V$, Common Mode Range: $-0.2V$ to $40V$

2. Calculate the current sense amplifier output range

$$V_{INA_outmax} = G_{INA} \cdot (I_{load(max)} \cdot R_{sh}) + \frac{V_{REF}}{2} = 200V/V \cdot (6A \cdot 1m\Omega) + \frac{3V}{2} = 2.7V$$

$$V_{INA_outmin} = G_{INA} \cdot (I_{load(min)} \cdot R_{sh}) + \frac{V_{REF}}{2} = 200V/V \cdot (-6A \cdot 1m\Omega) + \frac{5V}{2} = 0.3V$$

3. Find the INA190 output swing from the data sheet.

$$\text{Swing to Positive Rail} = 3V - 40mV = 2.96V$$

$$\text{Swing to Negative Rail} = 1mV$$

The output is scaled for 0.3V to 2.7V, so this design has significant margin.

If desired, a larger shunt resistor could be used to expand the usable range.

4. Offset Error impact on system error.

$$\text{OutputOffsetINA} = V_{os} \cdot \text{Gain} = 15\mu V \cdot 200 = 3mV$$

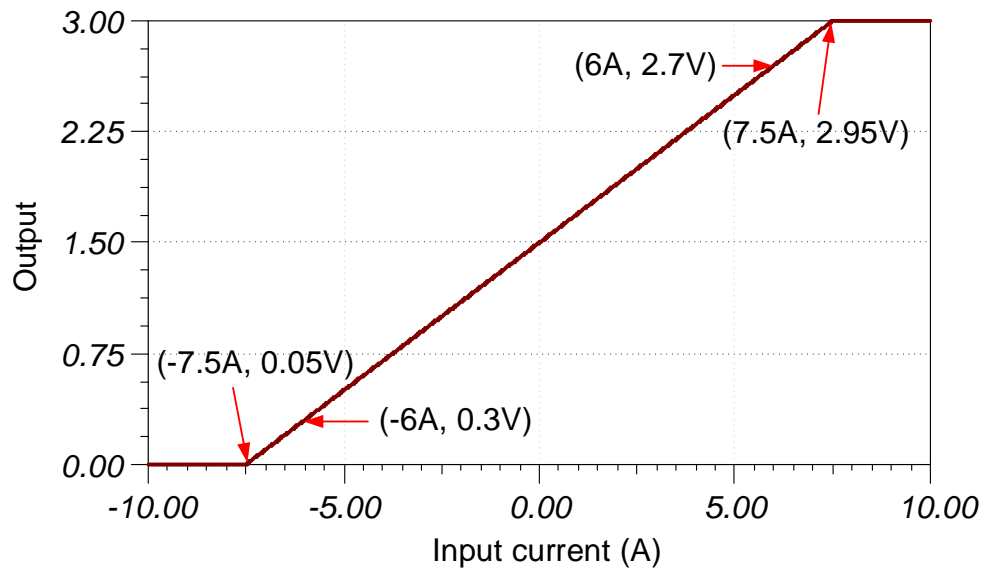
$$\text{OffsetADS7042} = 3\text{LSB} \cdot 366\mu V/\text{LSB} = 1.1mV$$

$$\text{TotalOffsetRSS} = \sqrt{(3mV)^2 + (1.1mV)^2} = 3.2mV$$

$$\text{Error}(\% \text{FSR}) = \frac{3.2mV}{3V} \cdot 100 = 0.11\% \text{ of FSR}$$

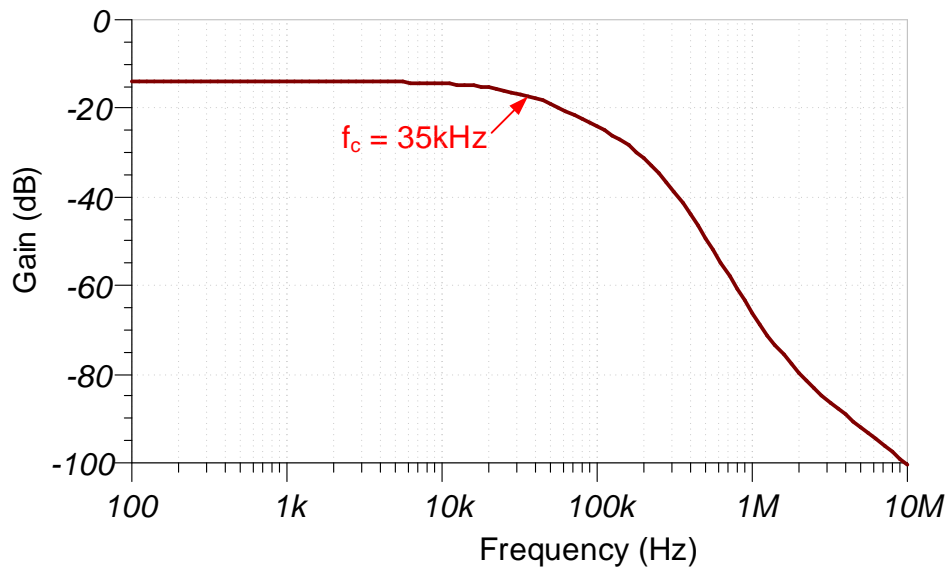
DC Transfer Characteristics

The following graph shows a linear output response for inputs from -7.5A to $+7.5\text{A}$. The required linear range is $\pm 6\text{A}$, so this circuit meets the requirement with design margin.



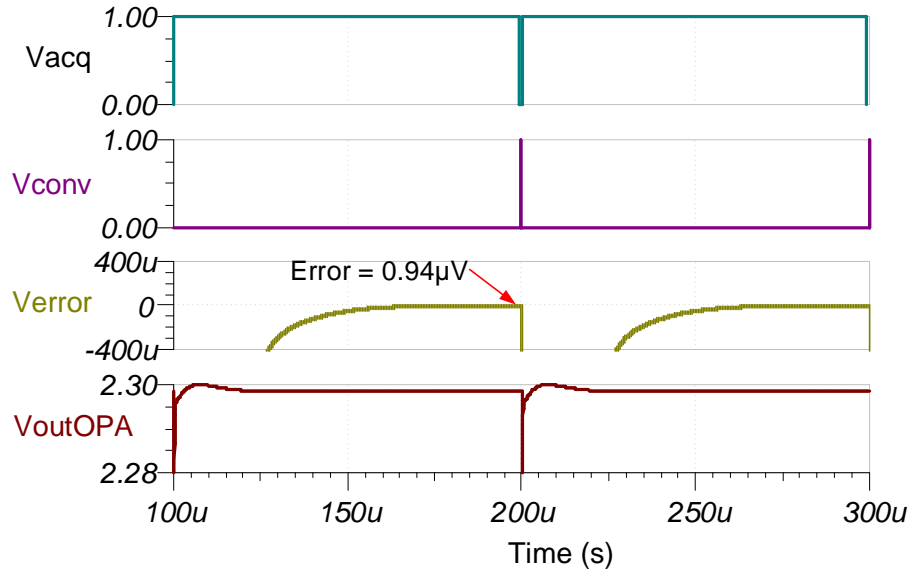
AC Transfer Characteristics

The data sheet specified bandwidth of 33kHz for the INA190A4 closely matches the simulated 35kHz bandwidth. The input ADC filter is designed to minimize charge kickback and does not limit the bandwidth ($f_{c(\text{ADC filter})} = 312\text{kHz}$). See [TI Precision Labs - Op Amps: Bandwidth 1](#) for more details on this subject.



Transient ADC Input Settling Simulation

The transient ADC simulation is performed for a near full scale input ($V_{inADC} = 2.3V$), for a 100-kHz sampling rate. Note that the sampling rate needed to be adjusted as the INA190 does not have sufficient bandwidth to respond to the transient charge kickback from the ADC at full sampling rate. Refer to [Introduction to SAR ADC Front-End Component Selection](#) for detailed theory on this subject.



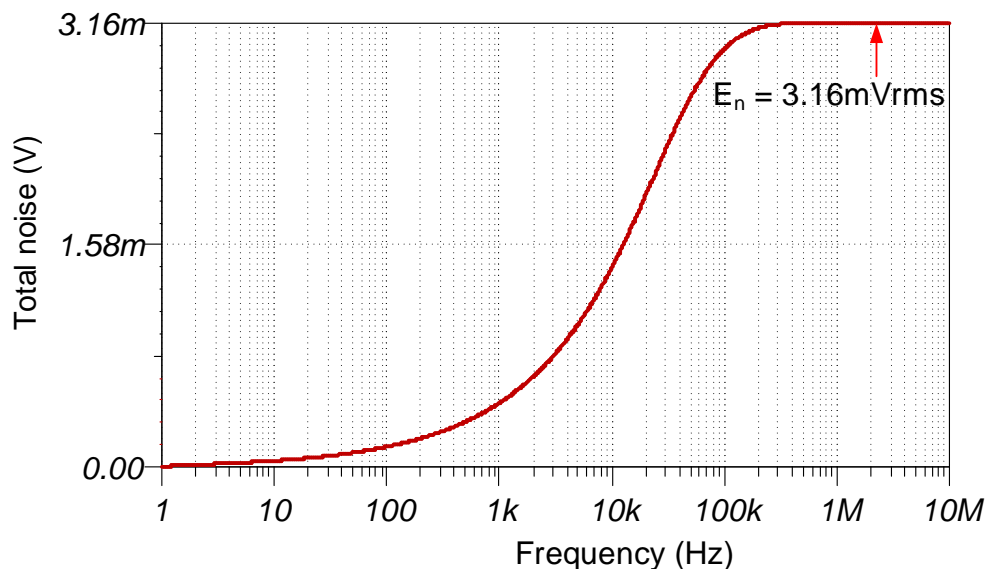
Noise Simulation

The noise hand calculation follows. This calculation assumes that the filter is a first order but inspection of the bandwidth simulation shows a more complex response.

$$E_n = G_n \cdot e_n \cdot \sqrt{K_n \cdot f_c}$$

$$E_n = 200 \cdot 75 \text{ nV}/\sqrt{\text{Hz}} \cdot \sqrt{1.57 \cdot 35 \text{ kHz}} = 3.5 \text{ mVrms}$$

Note that the calculated and simulated match well. Refer to [TI Precision Labs - Op Amps: Noise 4](#) for detailed theory on amplifier noise calculations, and [Calculating the Total Noise for ADC Systems](#) for data converter noise.



Design Featured Devices

Device	Key Features	Link	Other Possible Devices
ADS7042	12-bit resolution, SPI, 1MSPS sample rate, single-ended input, AVDD/Vref input range 1.6V to 3.6V.	http://www.ti.com/product/ADS7042	http://www.ti.com/adcs
INA190	Low Supply voltage (1.7 V to 5.5 V), Wide Common-Mode (-0.2V to 40 V), Low Offset Voltage ($V_{os} < 15\mu V$ Max), Low Bias Current (500pA typ).	http://www.ti.com/product/INA190	http://www.ti.com/amplifier-circuit/current-sense/analog-output/products.html

Design References

See [Analog Engineer's Circuit Cookbooks](#) for TI's comprehensive circuit library.

Link to Key Files

TINA source files – <http://www.ti.com/lit/zip/sbac230>.

IMPORTANT NOTICE AND DISCLAIMER

TI PROVIDES TECHNICAL AND RELIABILITY DATA (INCLUDING DATASHEETS), DESIGN RESOURCES (INCLUDING REFERENCE DESIGNS), APPLICATION OR OTHER DESIGN ADVICE, WEB TOOLS, SAFETY INFORMATION, AND OTHER RESOURCES "AS IS" AND WITH ALL FAULTS, AND DISCLAIMS ALL WARRANTIES, EXPRESS AND IMPLIED, INCLUDING WITHOUT LIMITATION ANY IMPLIED WARRANTIES OF MERCHANTABILITY, FITNESS FOR A PARTICULAR PURPOSE OR NON-INFRINGEMENT OF THIRD PARTY INTELLECTUAL PROPERTY RIGHTS.

These resources are intended for skilled developers designing with TI products. You are solely responsible for (1) selecting the appropriate TI products for your application, (2) designing, validating and testing your application, and (3) ensuring your application meets applicable standards, and any other safety, security, or other requirements. These resources are subject to change without notice. TI grants you permission to use these resources only for development of an application that uses the TI products described in the resource. Other reproduction and display of these resources is prohibited. No license is granted to any other TI intellectual property right or to any third party intellectual property right. TI disclaims responsibility for, and you will fully indemnify TI and its representatives against, any claims, damages, costs, losses, and liabilities arising out of your use of these resources.

TI's products are provided subject to TI's Terms of Sale (www.ti.com/legal/termsofsale.html) or other applicable terms available either on ti.com or provided in conjunction with such TI products. TI's provision of these resources does not expand or otherwise alter TI's applicable warranties or warranty disclaimers for TI products.

Mailing Address: Texas Instruments, Post Office Box 655303, Dallas, Texas 75265
Copyright © 2019, Texas Instruments Incorporated