

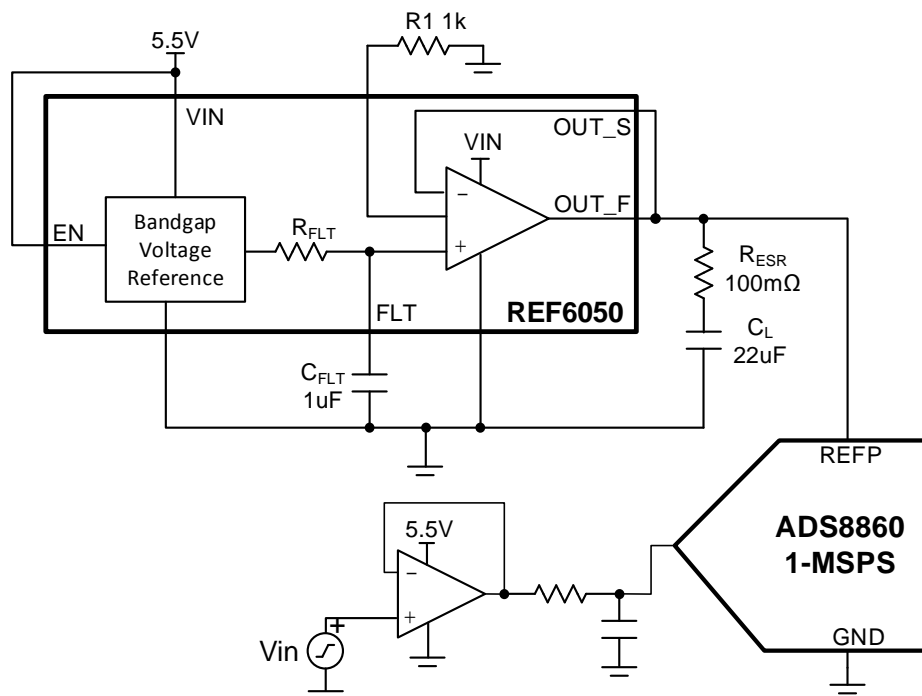
Circuit to drive a switched capacitor reference input for high-precision devices

Art Kay

Power Supplies			
REF6050 Input Voltage	Vref (Output of REF, Input on ADC)	AVDD (ADS8860)	DVDD (ADS8860)
5.5V	5.0V	3.0V	3.0V

Design Description

This circuit document shows how the REF6050 (REF60xx series) voltage reference can be used to directly drive a switched capacitance ADC reference input pin. The reference input pin on many different types of data converters has a switched capacitor circuit that generates significant transient current requirements. These transients can have a significant impact in ADC accuracy, because the voltage reference must be settled to a constant accurate voltage. To respond to the transients on the ADC reference input, the voltage reference needs a wide-bandwidth buffer. The REF60xx series voltage reference incorporates an integrated wide-bandwidth buffer. This reference design will show measured ADC performance comparing a low-bandwidth reference to the wide-bandwidth REF6050. The document also covers alternative solutions for driving the ADC reference input.



Specifications

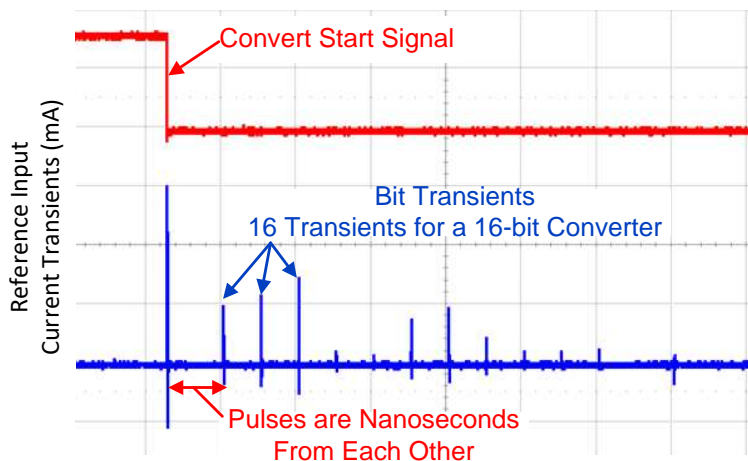
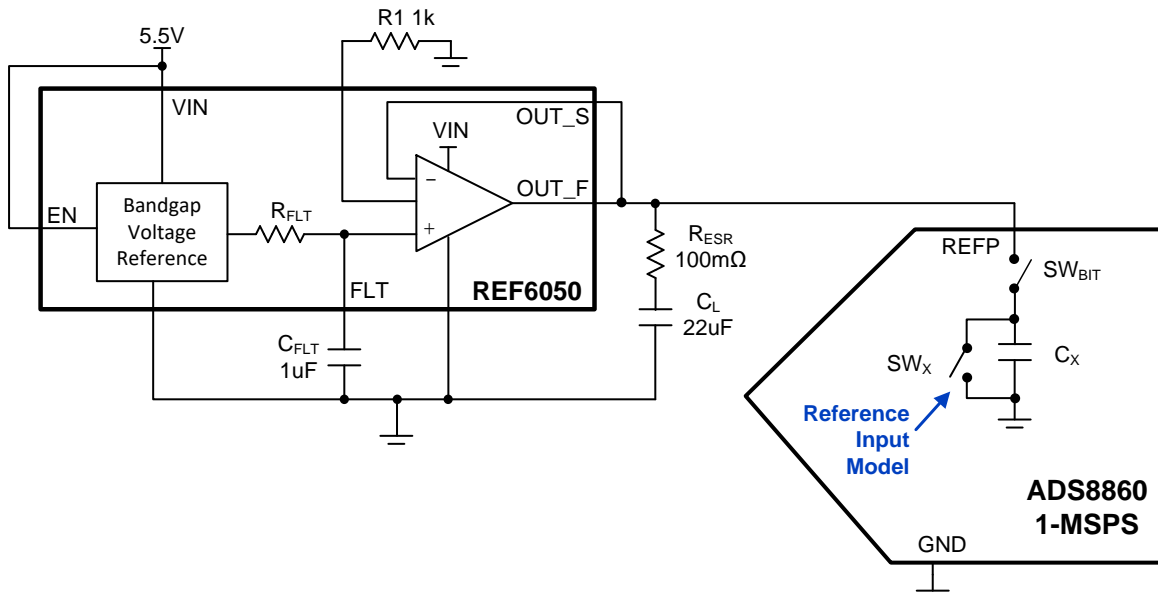
Specification (at 1MSPS)	Goal	Measured
THD	-108dB	-112.6dB
Reference Settling	0 codes	1.2 codes

Design Notes

1. This circuit can apply to many different data converters. See the data sheet to determine if a wide-bandwidth buffer is required. For devices that have a switched capacitor input, the [REF60xx](#) series reference is a good solution because it has an integrated wide-bandwidth buffer. For data converters with an integrated wide-bandwidth buffer, the reference bandwidth is not important; therefore, consider other parameters such as reference noise and drift.
2. See the [REF60xx \(REF6050\) High-Precision Voltage Reference With Integrated ADC Drive Buffer Data Sheet](#) for selecting the filter capacitors. In general, choosing larger capacitors helps to minimize noise. Also, the reference stability can be impacted by the Equivalent Series Resistance (ESR) of the capacitor.
3. The topic of reference drive is covered in detail in the [Driving the Reference Input on a SAR ADC](#) video series from the [TI Precision Labs - ADCs](#) video training. The measurements shown in this reference design can be reproduced using the [PLABS-SAR-EVM-PDK](#).

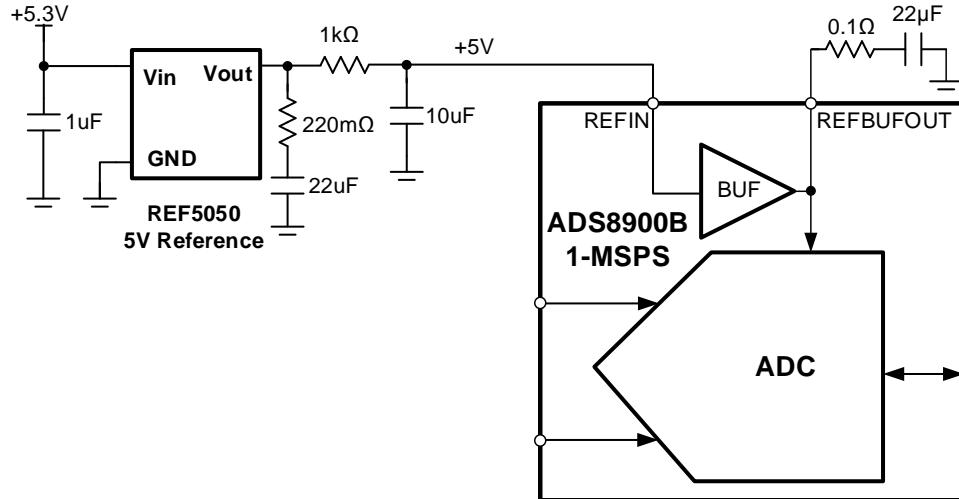
Wide-Bandwidth Buffer Inside the Reference

Many different data converters have a switched capacitor reference input. The following image shows a very simple model of this input. This model is for a traditional SAR ADC, but a similar model exists for some delta-sigma converters. In this example, a capacitance C_x is connected and disconnected from the external reference via SW_{BIT} . The capacitor is reset with SW_x after it is disconnected. This process is repeated N -times for an N -bit converter. This creates a large transient input current each time the capacitor is connected to the reference. The transient can be milliamps in amplitude, and the time between the transients is nanoseconds. The value of C_x changes throughout the conversion cycle, so the amplitude of the transients changes (see the following reference input graph). To get accurate conversion results, the reference voltage must rapidly respond to these transients. Thus, the reference requires a wide-bandwidth buffer to achieve the highest accuracy. Most references have an internal low bandwidth buffer which may not be adequate for the best performance. The REF6050 incorporates an internal wide-bandwidth buffer which is capable of responding to the transients present on most ADCs with a switched-capacitor reference input.



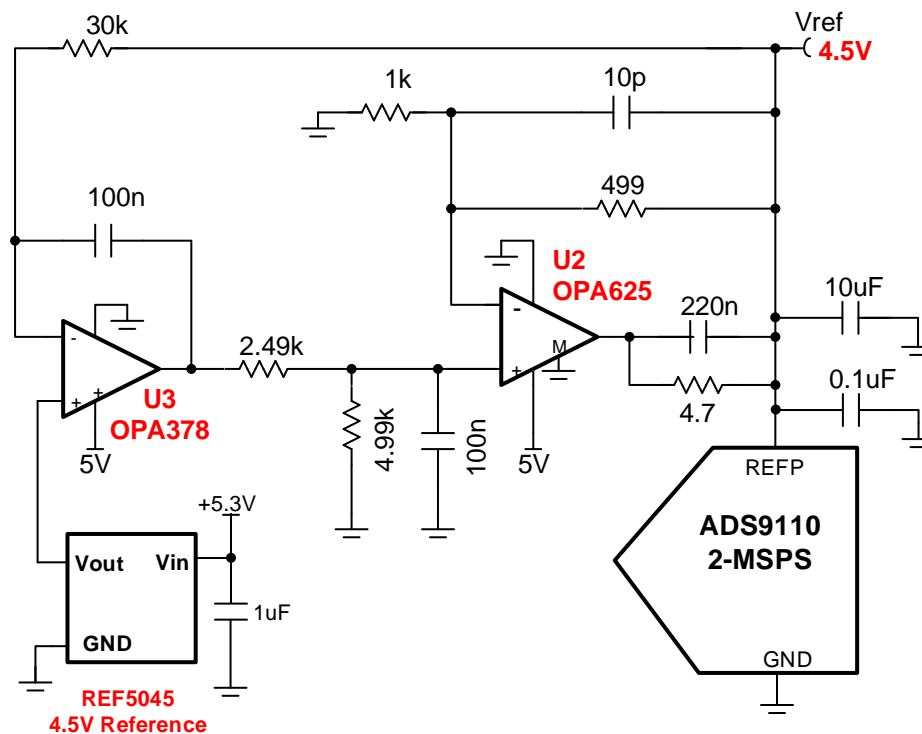
Wide-Bandwidth Buffer Inside the ADC

Some data converters have an internal wide-bandwidth buffer that is designed to drive the switched capacitor reference input. The input of this buffer is high impedance so the reference does not require a wide-bandwidth output. The [ADS8900B](#) and [ADS8168](#) devices are examples of data converters that incorporate an integrated wide-bandwidth reference buffer.



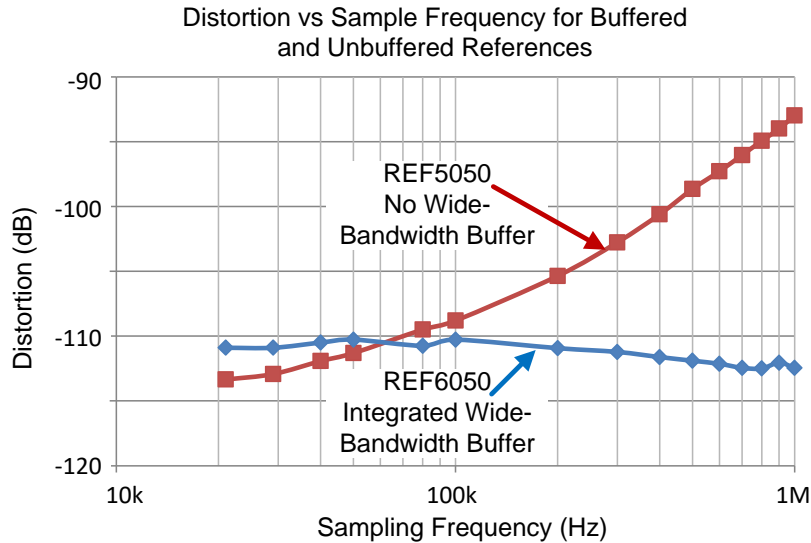
Discrete Wide-Bandwidth Buffer Between Reference and ADC

For devices that require a buffer, it is possible to build a discrete reference buffer rather than using a device with an integrated buffer (for example, REF6050). The following circuit shows a discrete buffer used on the [ADS9110EVM-PDK](#). This circuit is a composite amplifier because it combines two amplifiers to form a circuit that has the benefit of both devices. The [OPA378](#) has an ultra-low offset, and the [OPA625](#) can respond to rapid transients.



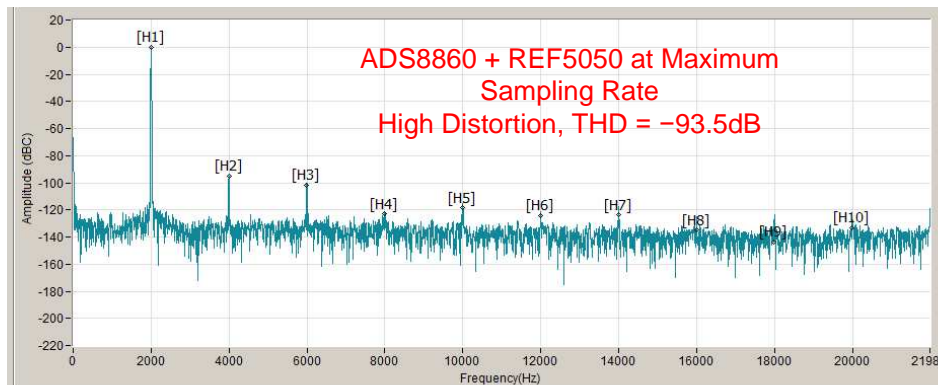
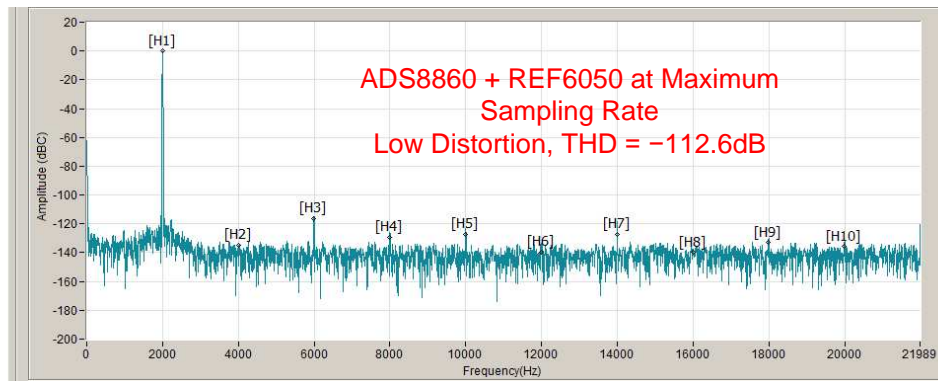
Distortion With and Without Reference Buffer Versus Sampling Rate

The following graph compares the distortion for an ADC with and without a wide-bandwidth reference buffer. Notice that for high sampling rates, the ADC with the wide-bandwidth buffer has substantially better THD performance. At low sampling rates, the buffer is less important because the reference has significant time to recover from the reference transients.



FFT With and Without Reference Buffer at 1MSPS

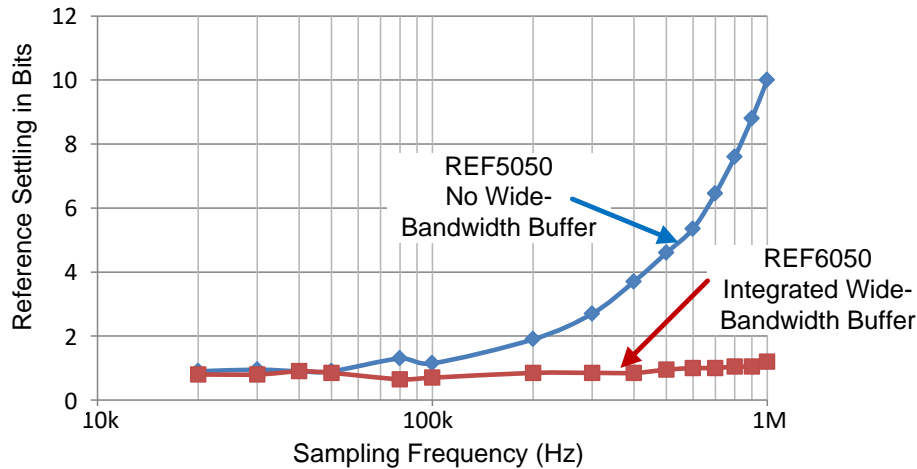
The following graphs show the FFT with and without the wide-bandwidth reference buffer at the maximum sampling rate (1MSPS). The graphs show that the harmonic distortion is clearly larger for the ADC without the wide-bandwidth buffer.



Reference Settling With and Without Reference Buffer Versus Sampling Rate

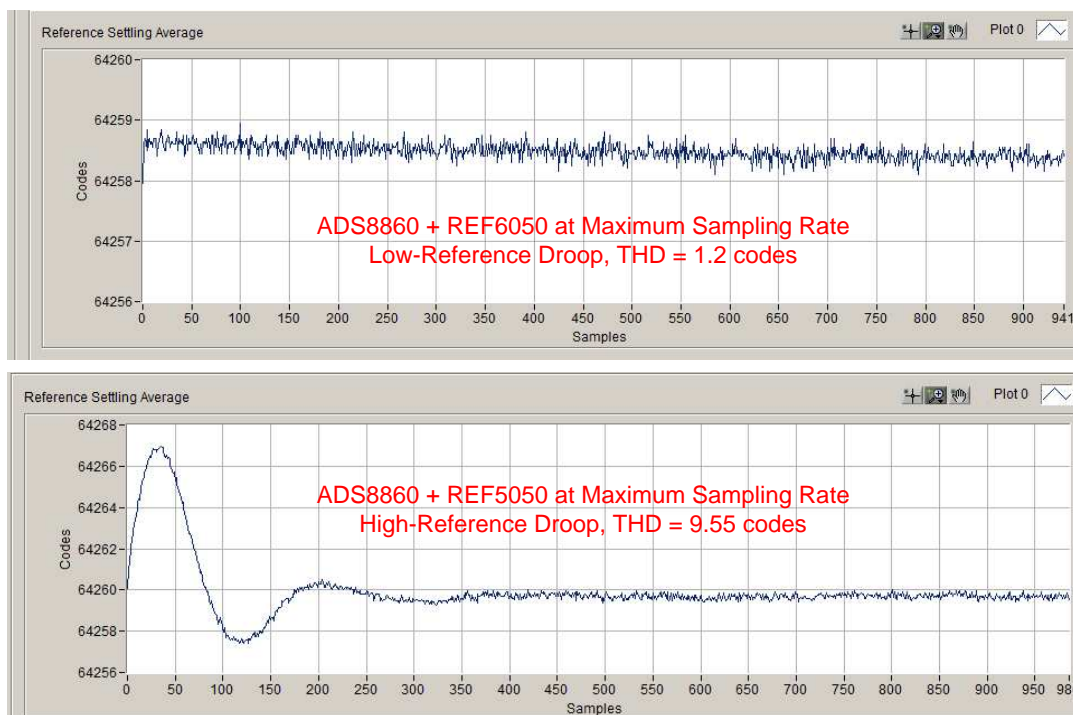
The following graph compares the settling performance to a DC signal for an ADC with and without a wide-bandwidth reference buffer. Settling performance indicates the error in the digitized result after one ADC conversion. In subsequent conversions, the ADC settling error will reduce for a constant DC input. Settling performance is very important in multiplexed systems, because it provides a good estimate of the types of error when switching channels. Notice that for high sampling rates, the ADC with the wide-bandwidth buffer has substantially better settling performance. At low sampling rates, the buffer is less important because the reference has significant time to recover from the reference transients.

Reference Settling vs Sample Frequency for Buffered and Unbuffered References



Reference Settling With and Without Reference Buffer Versus Time

The following graph shows the reference settling versus time at maximum sampling rate with a DC signal applied. Notice that for the unbuffered reference the signal has a significant transient settling error of 9.55 codes. This error requires about 300 samples to fully settle.



Design Featured Devices

Device	Key Features	Link	Other Possible Devices
REF6050	integrated ADC drive buffer, low output impedance: < 50 m Ω (0–200kHz), excellent temperature drift performance 5 ppm/ $^{\circ}$ C (max) , extremely low noise total noise: 5 μ V _{RMS} with 47- μ F capacitor	http://www.ti.com/product/REF6050	http://www.ti.com/vref
ADS8860	16-bit resolution, SPI, 1MSPS sample rate, single-ended input, V _{REF} input range 2.5 V to 5.0 V	http://www.ti.com/product/ADS8860	http://www.ti.com/adcs
OPA320	20-MHz bandwidth, rail-to-rail with zero crossover distortion, V _{OS} (MAX) = 150 μ V, V _{OS} (Drift MAX) = 5 μ V/ $^{\circ}$ C, en = 7nV/ $\sqrt{\text{Hz}}$	http://www.ti.com/product/OPA320	http://www.ti.com/opamps

References

See [Analog Engineer's Circuit Cookbooks](#) for TI's comprehensive circuit library.

IMPORTANT NOTICE AND DISCLAIMER

TI PROVIDES TECHNICAL AND RELIABILITY DATA (INCLUDING DATASHEETS), DESIGN RESOURCES (INCLUDING REFERENCE DESIGNS), APPLICATION OR OTHER DESIGN ADVICE, WEB TOOLS, SAFETY INFORMATION, AND OTHER RESOURCES "AS IS" AND WITH ALL FAULTS, AND DISCLAIMS ALL WARRANTIES, EXPRESS AND IMPLIED, INCLUDING WITHOUT LIMITATION ANY IMPLIED WARRANTIES OF MERCHANTABILITY, FITNESS FOR A PARTICULAR PURPOSE OR NON-INFRINGEMENT OF THIRD PARTY INTELLECTUAL PROPERTY RIGHTS.

These resources are intended for skilled developers designing with TI products. You are solely responsible for (1) selecting the appropriate TI products for your application, (2) designing, validating and testing your application, and (3) ensuring your application meets applicable standards, and any other safety, security, or other requirements. These resources are subject to change without notice. TI grants you permission to use these resources only for development of an application that uses the TI products described in the resource. Other reproduction and display of these resources is prohibited. No license is granted to any other TI intellectual property right or to any third party intellectual property right. TI disclaims responsibility for, and you will fully indemnify TI and its representatives against, any claims, damages, costs, losses, and liabilities arising out of your use of these resources.

TI's products are provided subject to TI's Terms of Sale (www.ti.com/legal/termsofsale.html) or other applicable terms available either on ti.com or provided in conjunction with such TI products. TI's provision of these resources does not expand or otherwise alter TI's applicable warranties or warranty disclaimers for TI products.

Mailing Address: Texas Instruments, Post Office Box 655303, Dallas, Texas 75265
Copyright © 2019, Texas Instruments Incorporated