

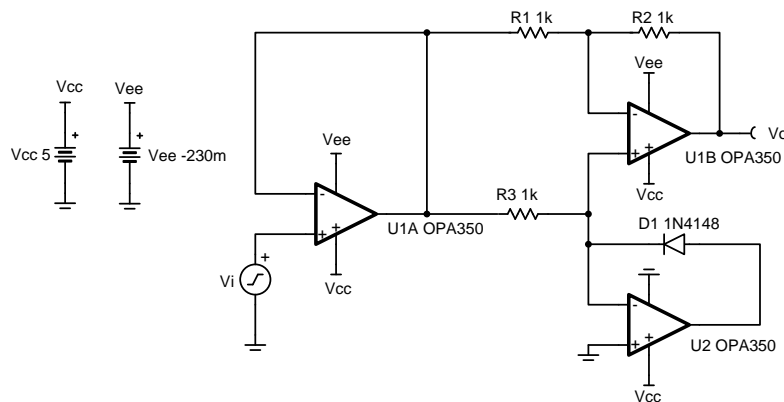
Single-supply, low-input voltage, full-wave rectifier circuit

Design Goals

Input		Output		Supply		
V_{iMin}	V_{iMax}	V_{oMin}	V_{oMax}	V_{cc}	V_{ee}	V_{ref}
5mVpp	400mVpp	2.5mVpp	200mVpp	5V	-0.23V	0V

Design Description

This single-supply precision absolute value circuit is optimized for low-input voltages. It is designed to function up to 50kHz and has excellent linearity at signal levels as low as 5mVpp. The design uses a negative charge pump (such as LM7705) on the negative op amp supply rails to maintain linearity with signal levels near 0V.

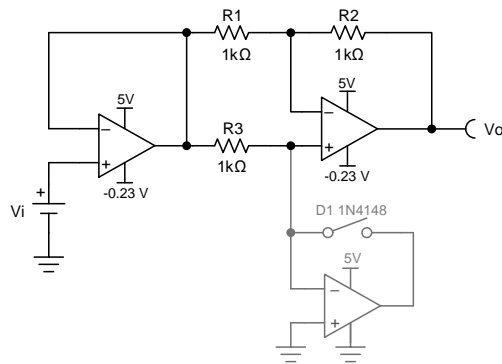


Design Notes

1. Observe common-mode and output swing limitations of op amps.
2. R_3 should be sized small enough that the leakage current from D_1 does not cause errors in positive input cycles while ensuring the op amp can drive the load.
3. Use a fast switching diode for D_1 .
4. Removing the input buffer will allow for input signals with peak-to-peak values twice as large as the supply voltage at the expense of lower input impedance and slight gain error.
5. Use precision resistors to minimize gain error.

Design Steps

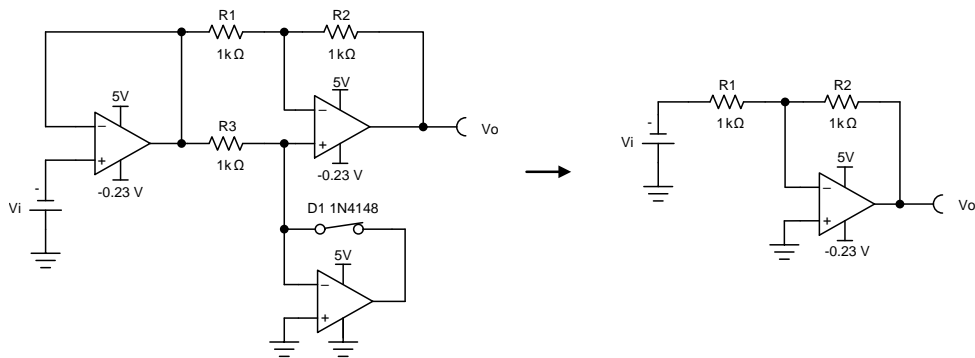
1. Circuit analysis for positive input signals.



$$\frac{V_o}{V_i} = \left(-\frac{R_2}{R_1}\right) + \left(1 + \frac{R_2}{R_1}\right) = 1$$

$$V_o = V_i$$

2. Circuit analysis for negative input signals.



$$\frac{V_o}{V_i} = \left(-\frac{R_2}{R_1}\right) = -1$$

$$V_o = -V_i$$

3. Select R_1 , R_2 , and R_3 .

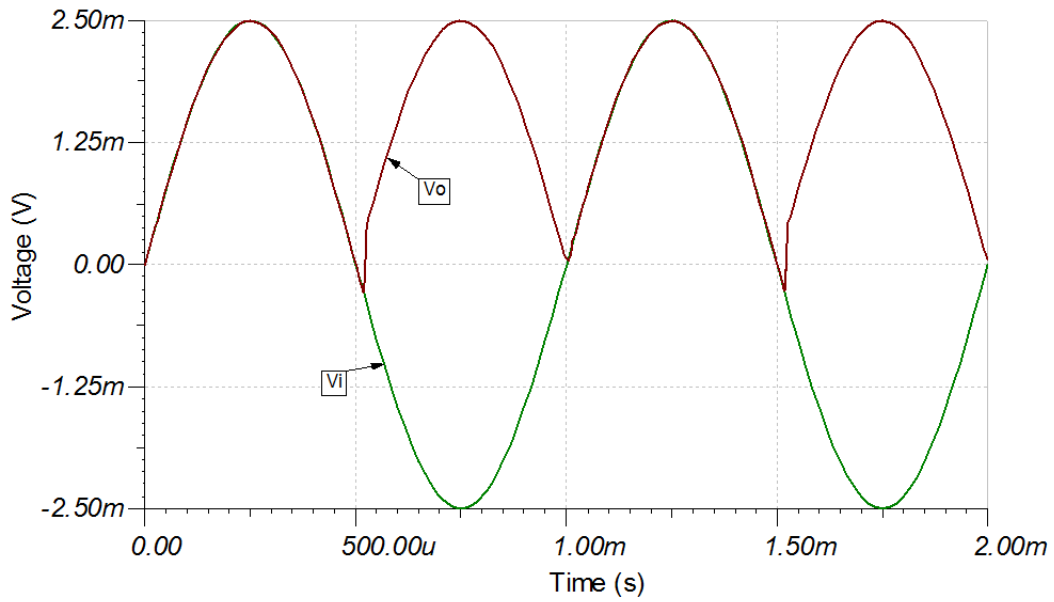
$$\frac{V_o}{V_i} = -\frac{R_2}{R_1}$$

$$\text{If } R_2 = R_1 \text{ then } V_o = -V_i$$

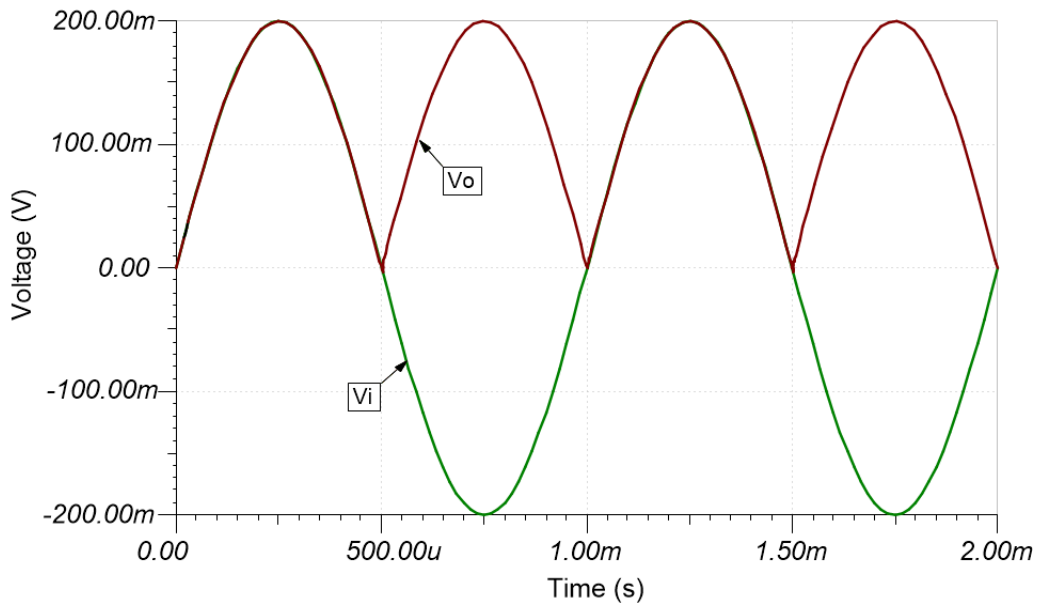
$$\text{Set } R_1 = R_2 = R_3 = 1 \text{ k}\Omega$$

Design Simulations

Transient Simulation Results



5mVpp at 1-kHz Input



400mVpp at 1-kHz Input

Design References

See [Analog Engineer's Circuit Cookbooks](#) for TI's comprehensive circuit library.

See circuit SPICE simulation file [SBOC506](#).

See TIPD124, www.ti.com/tool/tipd124.

Design Featured Op Amp

OPA350	
V_{SS}	2.7V to 5.5V
V_{inCM}	Rail-to-rail
V_{out}	Rail-to-rail
V_{os}	150 μ V
I_q	5.2mA/Ch
I_b	0.5pA
UGBW	38MHz
SR	22V/ μ s
#Channels	1, 2, 4
www.ti.com/product/opa350	

Design Alternate Op Amp

OPA353	
V_{SS}	2.7V to 5.5V
V_{inCM}	Rail-to-rail
V_{out}	Rail-to-rail
V_{os}	3mV
I_q	5.2mA
I_b	0.5pA
UGBW	44MHz
SR	22V/ μ s
#Channels	1, 2, 4
www.ti.com/product/opa353	

Revision History

Revision	Date	Change
A	January 2019	Downscale the title and changed title role to 'Amplifiers'. Added links to circuit cookbook landing page and SPICE simulation file.

IMPORTANT NOTICE AND DISCLAIMER

TI PROVIDES TECHNICAL AND RELIABILITY DATA (INCLUDING DATASHEETS), DESIGN RESOURCES (INCLUDING REFERENCE DESIGNS), APPLICATION OR OTHER DESIGN ADVICE, WEB TOOLS, SAFETY INFORMATION, AND OTHER RESOURCES "AS IS" AND WITH ALL FAULTS, AND DISCLAIMS ALL WARRANTIES, EXPRESS AND IMPLIED, INCLUDING WITHOUT LIMITATION ANY IMPLIED WARRANTIES OF MERCHANTABILITY, FITNESS FOR A PARTICULAR PURPOSE OR NON-INFRINGEMENT OF THIRD PARTY INTELLECTUAL PROPERTY RIGHTS.

These resources are intended for skilled developers designing with TI products. You are solely responsible for (1) selecting the appropriate TI products for your application, (2) designing, validating and testing your application, and (3) ensuring your application meets applicable standards, and any other safety, security, or other requirements. These resources are subject to change without notice. TI grants you permission to use these resources only for development of an application that uses the TI products described in the resource. Other reproduction and display of these resources is prohibited. No license is granted to any other TI intellectual property right or to any third party intellectual property right. TI disclaims responsibility for, and you will fully indemnify TI and its representatives against, any claims, damages, costs, losses, and liabilities arising out of your use of these resources.

TI's products are provided subject to TI's Terms of Sale (www.ti.com/legal/termsofsale.html) or other applicable terms available either on ti.com or provided in conjunction with such TI products. TI's provision of these resources does not expand or otherwise alter TI's applicable warranties or warranty disclaimers for TI products.

Mailing Address: Texas Instruments, Post Office Box 655303, Dallas, Texas 75265
Copyright © 2019, Texas Instruments Incorporated