

Single-supply strain gauge bridge amplifier circuit

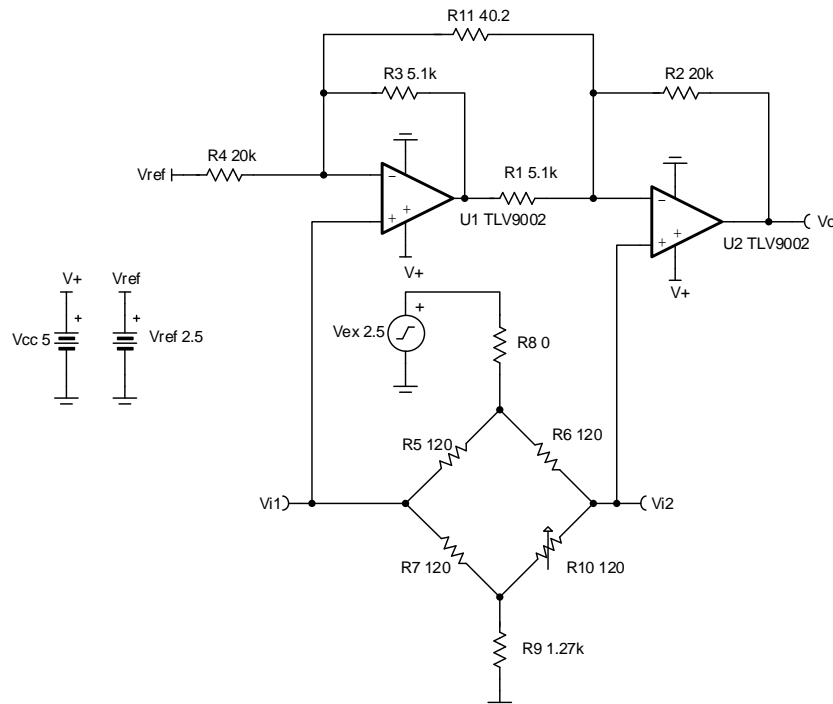
Design Goals

Input $V_{iDiff}(V_{i2} - V_{i1})$		Output		Supply		
V_{iDiff_Min}	V_{iDiff_Max}	V_{oMin}	V_{oMax}	V_{cc}	V_{ee}	V_{ref}
-2.22mV	2.27mV	225mV	4.72V	5V	0V	2.5V

Strain Gauge Resistance Variation (R_{10})	V_{cm}	Gain
115Ω – 125Ω	2.15V	1001V/V

Design Description

A strain gauge is a sensor whose resistance varies with applied force. The change in resistance is directly proportional to how much strain the sensor is experiencing due to the force applied. To measure the variation in resistance, the strain gauge is placed in a bridge configuration. This design uses a 2 op amp instrumentation circuit to amplify a differential signal created by the change in resistance of a strain gauge. By varying R_{10} , a small differential voltage is created at the output of the Wheatstone bridge which is fed to the 2 op amp instrumentation amplifier input. Linear operation of an instrumentation amplifier depends upon the linear operation of its primary building block: op amp. An op amp operates linearly when the input and output signals are within the device's input common-mode and output-swing ranges, respectively. The supply voltages used to power the op amps define these ranges.



Design Notes:

1. Resistors R_5 , R_6 and R_7 of the Wheatstone bridge must match the strain gauge nominal resistance and must be equal to avoid creating a bridge offset voltage.
2. Low tolerance resistors must be used to minimize the offset and gain errors due to the bridge resistors.
3. V_{ex} sets the excitation voltage of the bridge and the common-mode voltage V_{cm} .
4. V_{ref} biases the output voltage of the instrumentation amplifier to mid-supply to allow differential measurements in the positive and negative directions.
5. R_{11} sets the gain of the instrumentation amplifier circuit.
6. R_8 and R_9 set the common-mode voltage of the instrumentation amplifier and limits the current through the bridge. This current determines the differential signal produced by the bridge. However, there are limitations on the current through the bridge due to self-heating effects of the bridge resistors and strain gauge.
7. Ensure that $R_1 = R_3$ and $R_2 = R_4$ and that ratios of R_2/R_1 and R_4/R_3 are matched to set the V_{ref} gain to 1V/V and maintain high DC CMRR of the instrumentation amplifier.
8. Linear operation is contingent upon the input common-mode and the output swing ranges of the op amps used. The linear output swing ranges are specified under the A_{ol} test conditions in the op amps datasheets.
9. Using high-value resistors can degrade the phase margin of the circuit and introduce additional noise in the circuit.

Design Steps:

1. Select R_5 , R_6 and R_7 to match the strain gauge nominal resistance

$$R_{gauge} = R_5 = R_6 = R_7 = 120\Omega$$

2. Choose R_9 to set the common mode voltage of the instrumentation amplifier at 2.15V

$$V_{cm} = \frac{\frac{R_{bridge}}{2} + R_5}{R_{bridge} + R_8 + R_9} \times V_{ex}$$

Where R_{bridge} = total resistance of the bridge

Choose $R_8 = 0\Omega$ to allow maximum current through the bridge

$$V_{cm} = \frac{\frac{120\Omega \times 4}{2} + R_9}{120\Omega \times 4 + 0\Omega + R_9} \times 2.5V = 2.15V$$

$$\frac{240 + R_9}{480 + 0\Omega + R_9} = \frac{2.15V}{2.5V} = 0.86$$

$$0.14 R_9 = 172.8 \rightarrow R_9 = \frac{172.8}{0.14} = 1.23 k\Omega \rightarrow R_9 = 1.27 k\Omega \text{ (Standard value)}$$

3. Calculate the gain required to produce the desired output voltage swing

$$G = \frac{V_{oMax} - V_{oMin}}{V_{iDiff_Min} - V_{iDiff_Min}} = \frac{4.72V - 0.225V}{0.00222V - (-0.00227V)} = 1001 \frac{V}{V}$$

4. Select R_1 , R_2 , R_3 and R_4 . To set the V_{ref} gain at 1V/V and avoid degrading the instrumentation amplifier's CMRR, R_1 must equal R_3 and R_2 equal R_4 .

$$\text{Choose } R_1 = R_3 = 5.1k\Omega \text{ and } R_2 = R_4 = 20k\Omega \text{ (Standard value)}$$

5. Calculate R_{11} to meet the required gain

$$G = 1 + \frac{R_4}{R_3} + \frac{2 \times R_2}{R_{11}} = 1001 \frac{V}{V}$$

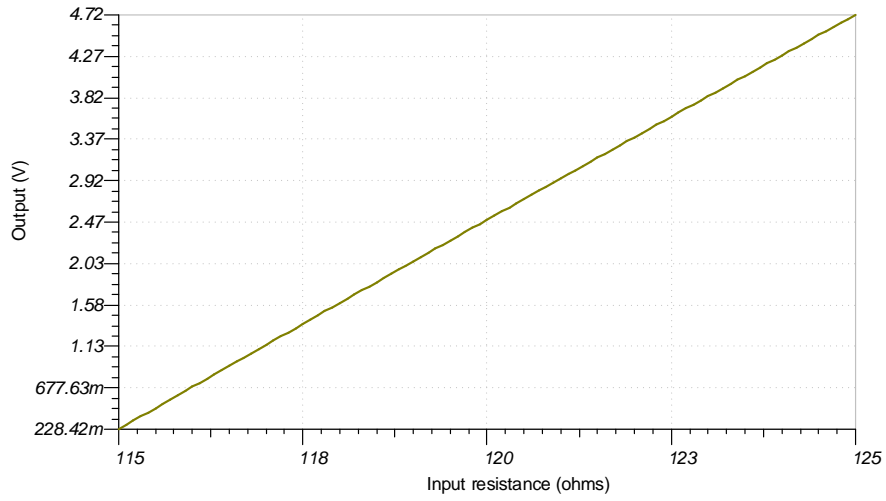
$$G = 1 + \frac{20k\Omega}{5.1k\Omega} + \frac{2 \times R_2}{R_{11}} = 1001 \frac{V}{V} \rightarrow 4.92 + \frac{40k\Omega}{R_{11}} = 1001 \frac{V}{V} \rightarrow \frac{40k\Omega}{R_{11}} = 996.1 \rightarrow R_{11} = \frac{40k\Omega}{996.1} = 40.15\Omega \rightarrow R_{11} = 40.2\Omega \text{ (Standard Value)}$$

6. Calculate the current through the bridge

$$I_{bridge} = \frac{V_{ex}}{R_8 + R_9 + R_{bridge}} = \frac{2.5V}{0\Omega + 1.27k\Omega + 120\Omega \times 4}$$

$$I_{bridge} = \frac{2.5V}{1.27k\Omega + 480\Omega} \rightarrow I_{bridge} = 1.42mA$$

Design Simulations:
DC Simulation Results



References:

1. [Analog Engineer's Circuit Cookbooks](#)
2. SPICE Simulation File [SBOMAU4](#)
3. TI Precision Designs [TIPD170](#)
4. [TI Precision Labs](#)
5. [\$V_{CM}\$ vs. \$V_{OUT}\$ plots for instrumentation amplifiers with two op amps](#)

Design Featured Op Amp:

TLV9002	
V_{SS}	1.8V to 5.5V
V_{inCM}	Rail-to-rail
V_{out}	Rail-to-Rail
V_{OS}	0.4mV
I_q	0.06mA
I_b	5pA
UGBW	1MHz
SR	2V/ μ s
#Channels	1,2,4
www.ti.com/product/tlv9002	

Design Alternate Op Amp:

OPA376	
V_{SS}	2.2V to 5.5V
V_{inCM}	$(V_{EE}-0.1V)$ to $(V_{CC}-1.3V)$
V_{out}	Rail-to-Rail
V_{OS}	0.005mV
I_q	0.76mA
I_b	0.2pA
UGBW	5.5MHz
SR	2V/ μ s
#Channels	1,2,4
www.ti.com/product/opa376	

IMPORTANT NOTICE AND DISCLAIMER

TI PROVIDES TECHNICAL AND RELIABILITY DATA (INCLUDING DATA SHEETS), DESIGN RESOURCES (INCLUDING REFERENCE DESIGNS), APPLICATION OR OTHER DESIGN ADVICE, WEB TOOLS, SAFETY INFORMATION, AND OTHER RESOURCES "AS IS" AND WITH ALL FAULTS, AND DISCLAIMS ALL WARRANTIES, EXPRESS AND IMPLIED, INCLUDING WITHOUT LIMITATION ANY IMPLIED WARRANTIES OF MERCHANTABILITY, FITNESS FOR A PARTICULAR PURPOSE OR NON-INFRINGEMENT OF THIRD PARTY INTELLECTUAL PROPERTY RIGHTS.

These resources are intended for skilled developers designing with TI products. You are solely responsible for (1) selecting the appropriate TI products for your application, (2) designing, validating and testing your application, and (3) ensuring your application meets applicable standards, and any other safety, security, regulatory or other requirements.

These resources are subject to change without notice. TI grants you permission to use these resources only for development of an application that uses the TI products described in the resource. Other reproduction and display of these resources is prohibited. No license is granted to any other TI intellectual property right or to any third party intellectual property right. TI disclaims responsibility for, and you will fully indemnify TI and its representatives against, any claims, damages, costs, losses, and liabilities arising out of your use of these resources.

TI's products are provided subject to [TI's Terms of Sale](#) or other applicable terms available either on ti.com or provided in conjunction with such TI products. TI's provision of these resources does not expand or otherwise alter TI's applicable warranties or warranty disclaimers for TI products.

TI objects to and rejects any additional or different terms you may have proposed.

Mailing Address: Texas Instruments, Post Office Box 655303, Dallas, Texas 75265
Copyright © 2021, Texas Instruments Incorporated